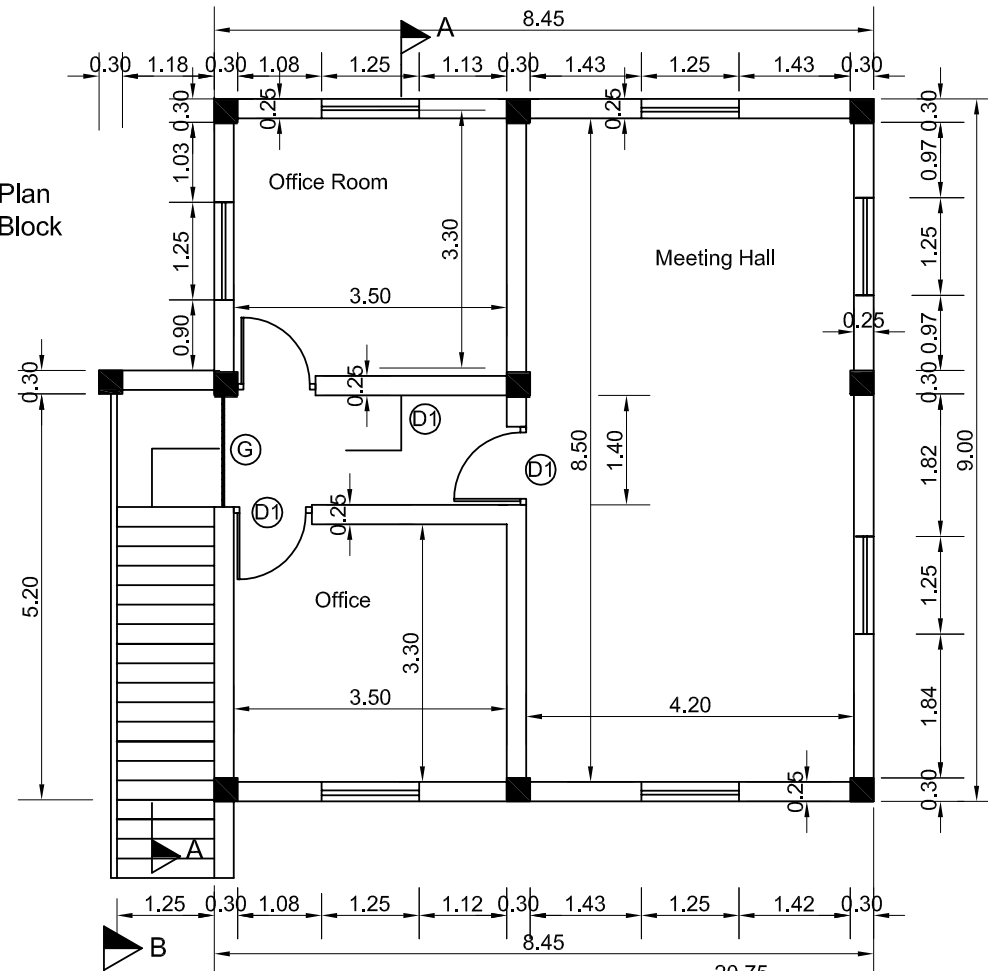
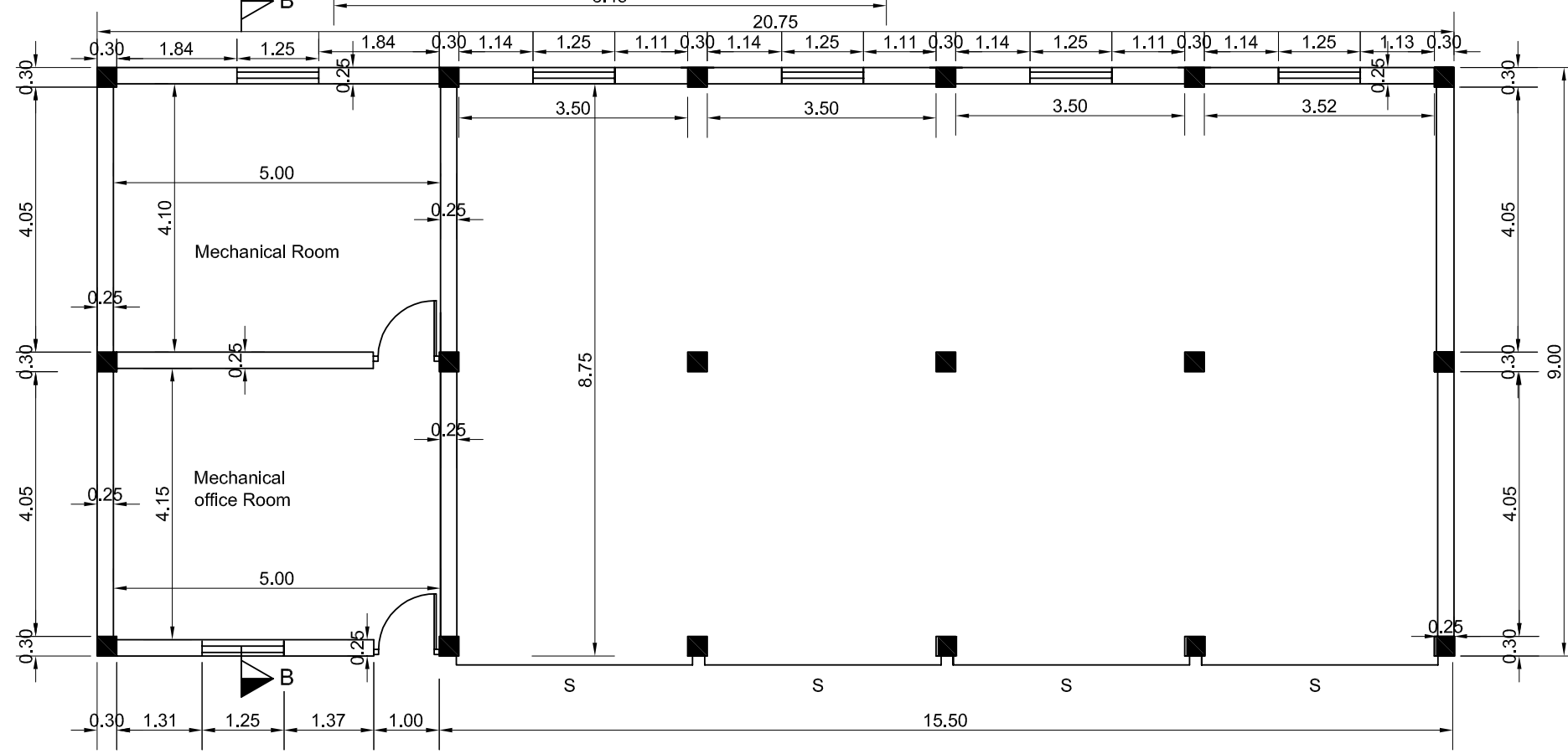
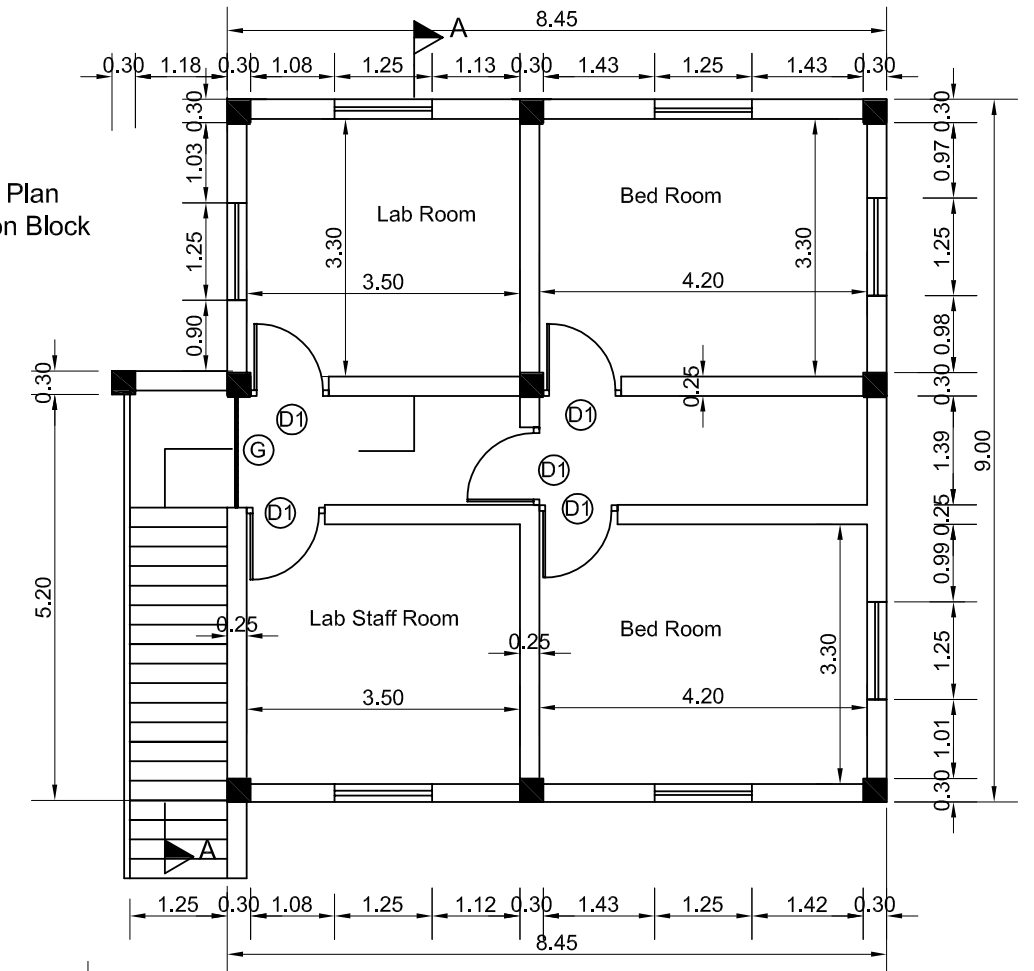


Ground Floor Plan
Administration Block



First Floor Plan
Administration Block



Ground Floor Plan
Garage

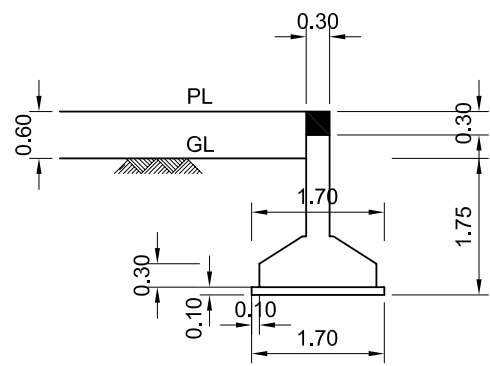
Note : All Dimensions are in Meters.

Scale 1 : 100

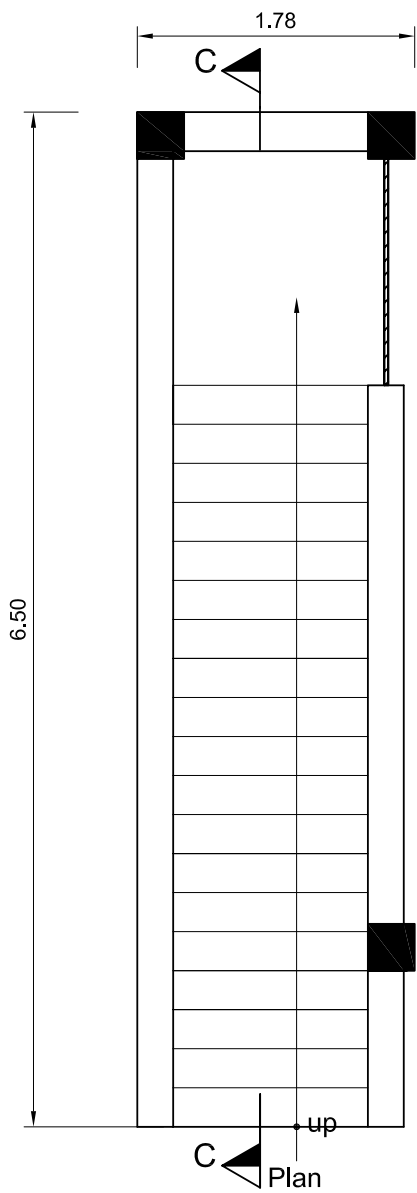
Clean Kathmandu Valley Study
Banchara Danda Landfill Site

Japan International Cooperation Agency

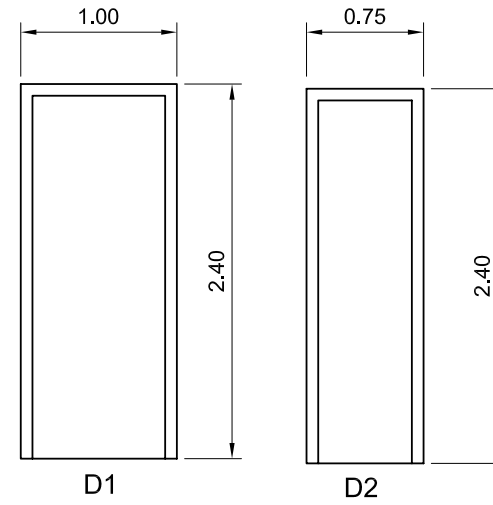
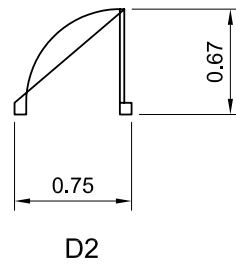
Dwg.no. 57
Administrative Building and
Garage Plan



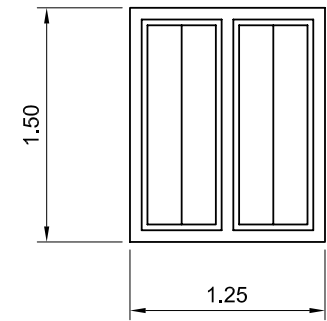
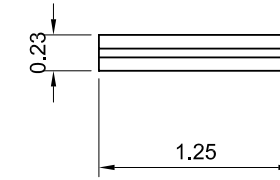
Foundation Detail
Scale 1 : 100



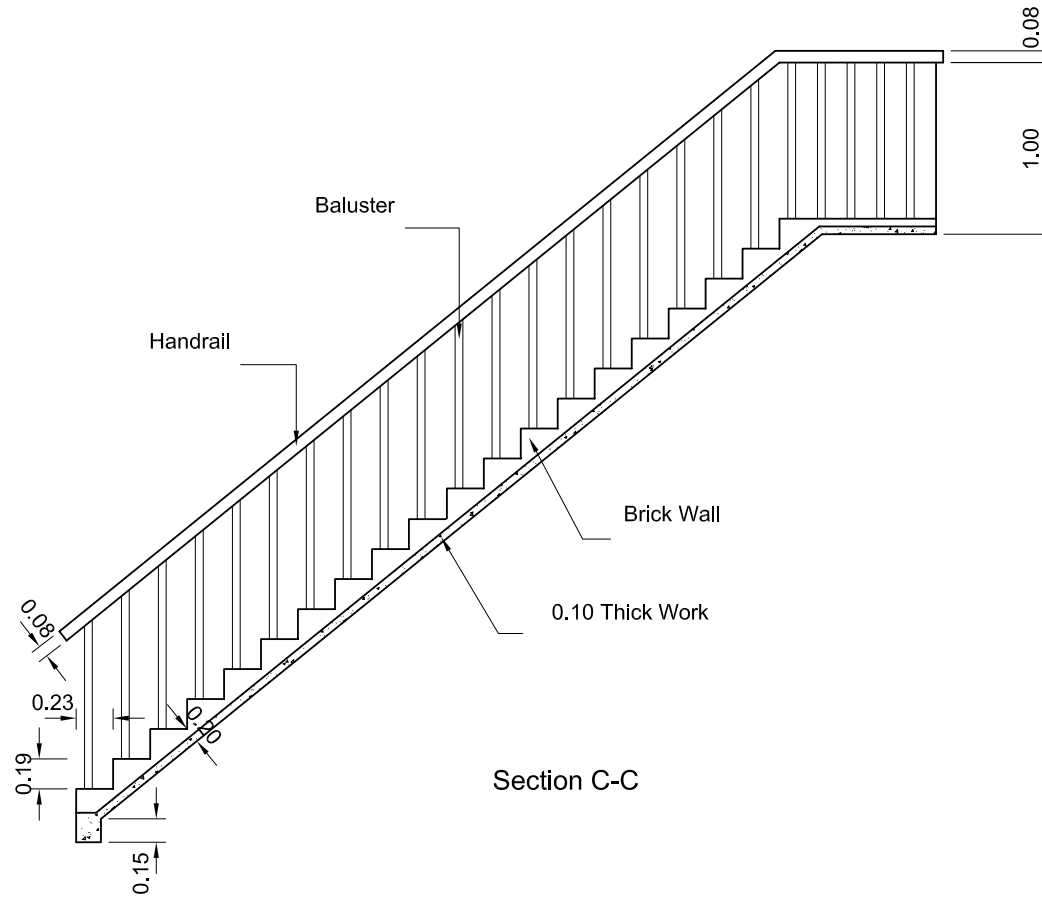
Door Details



Window Details



Staircase Details



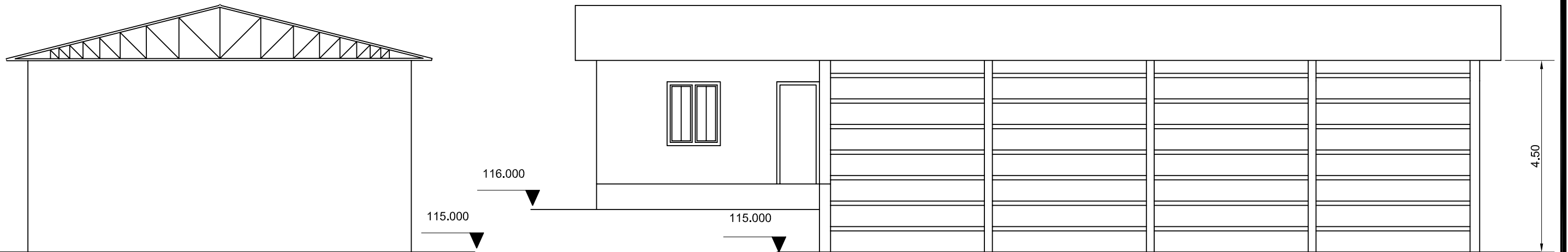
Note : All Dimensions are in Meters.

Scale 1 : 50

Clean Kathmandu Valley Study
Banchare Danda Landfill Site

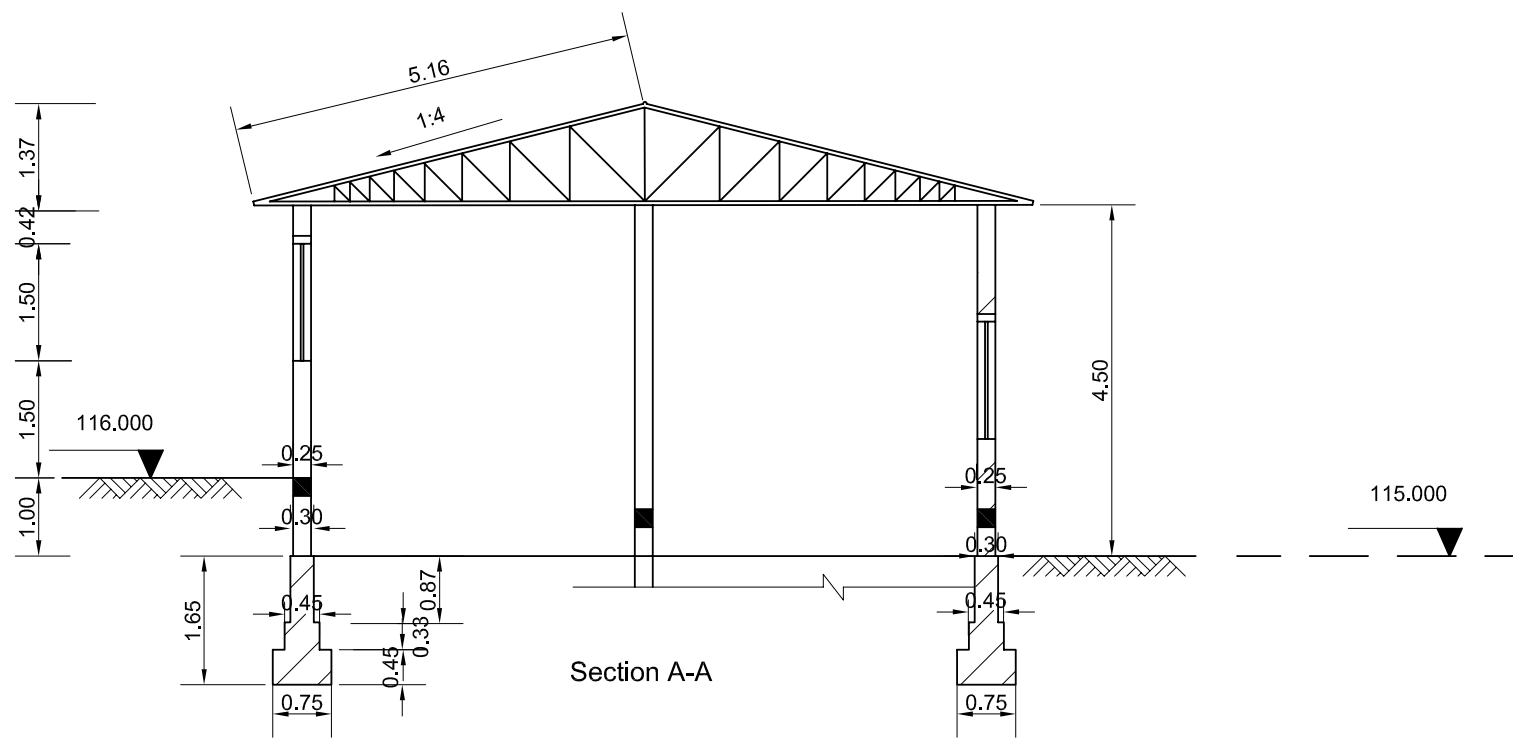
Japan International Cooperation Agency

Dwg.no. 59
Detail of Administrative Building



Side Elevation

Front Elevation Garage



Section A-A

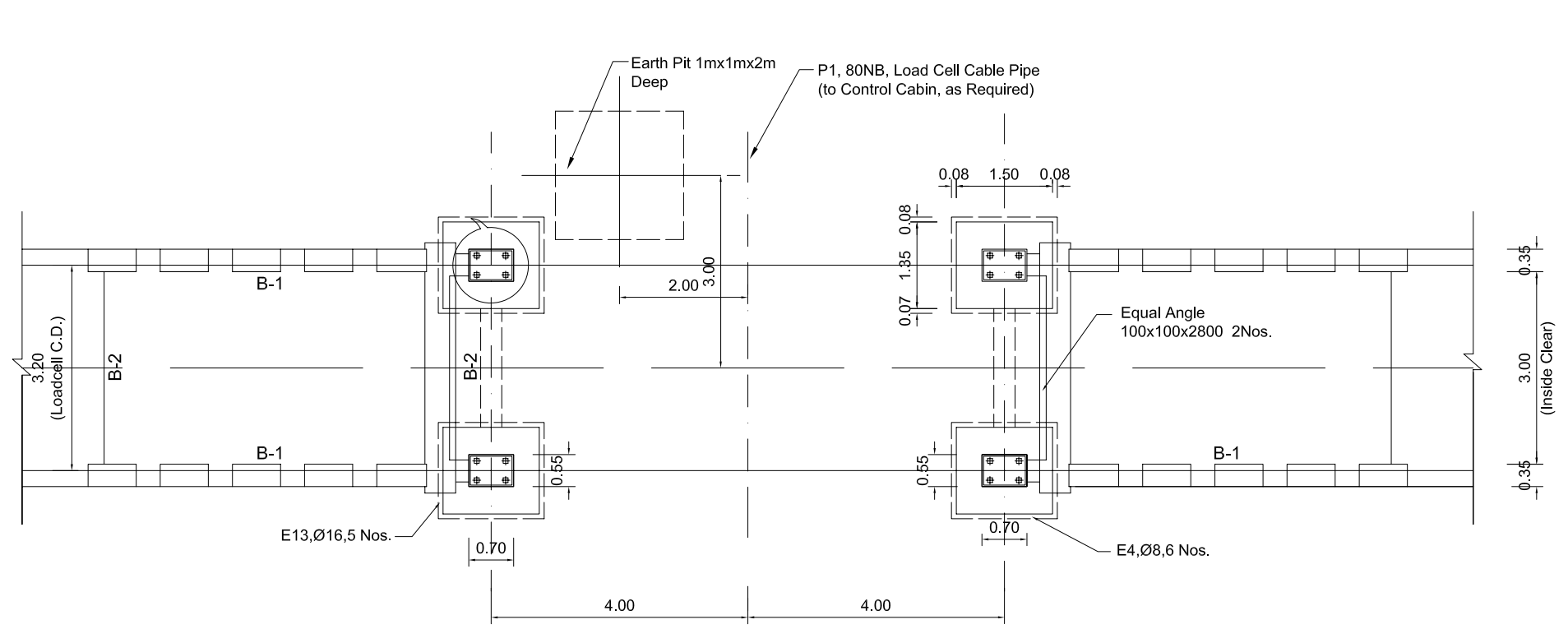
Note : All Dimensions are in Meters.

Scale 1 : 100

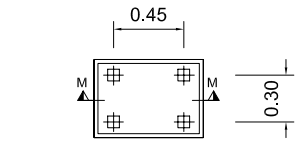
Clean Kathmandu Valley Study
Banchare Danda Landfill Site

Japan International Cooperation Agency

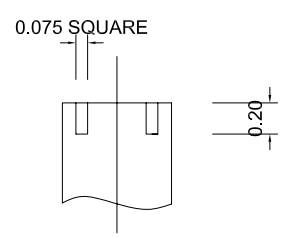
Dwg.no. 60
Garage Elevation



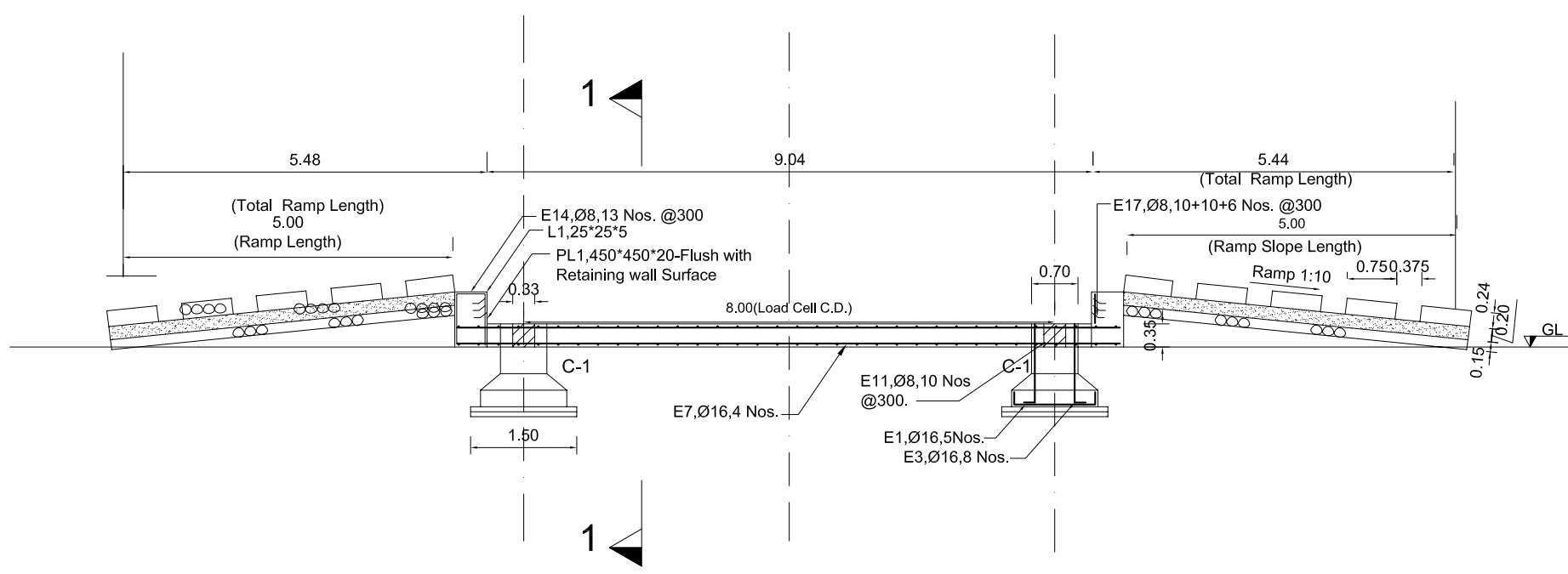
Plan



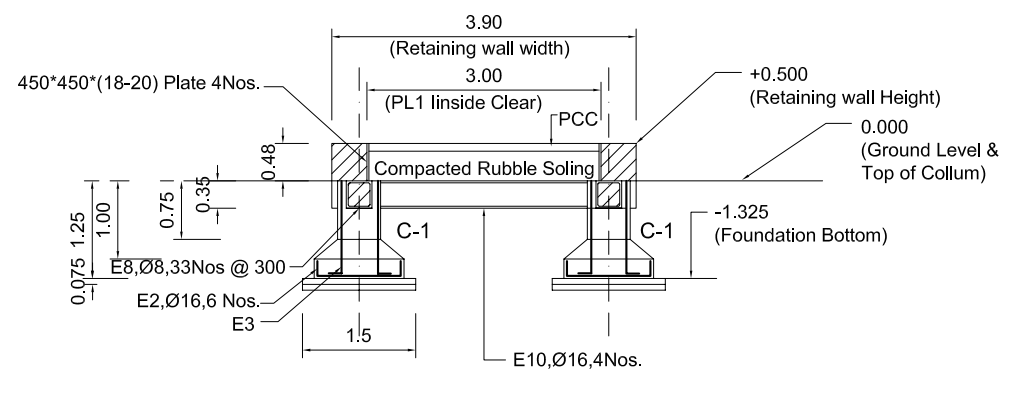
② Plate Detail



Section M-M



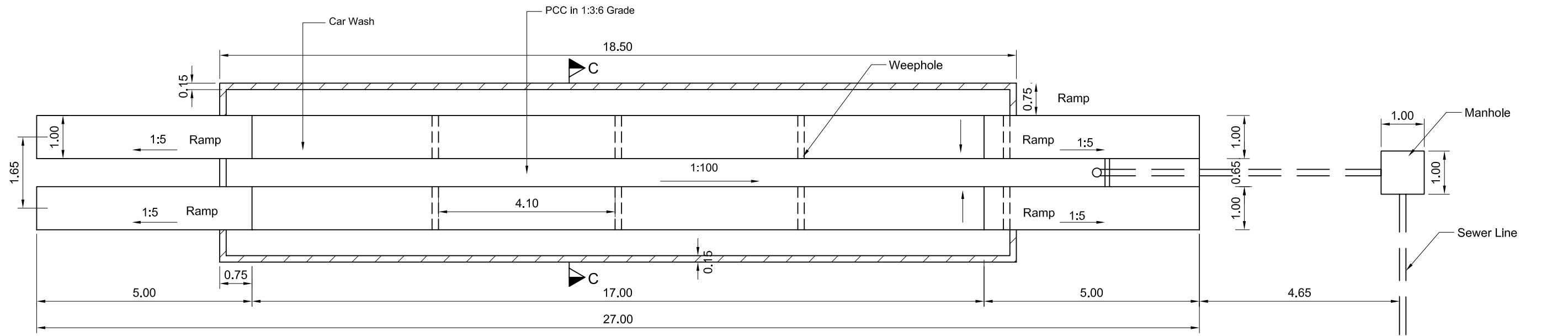
Section



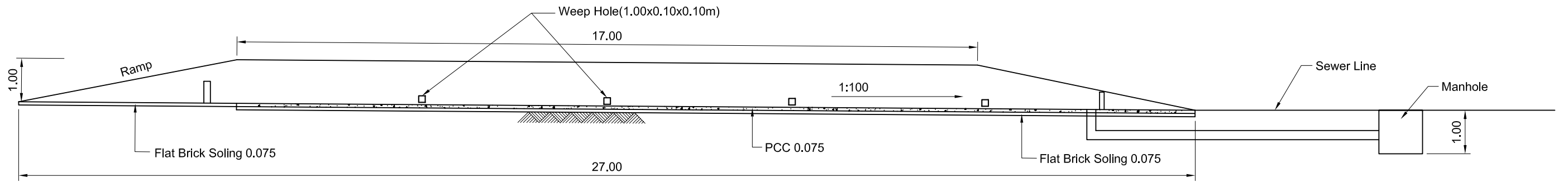
① Section Detail

Note:- Manufacturer Mettler Toledo India Pvt. Ltd.
Range 20 tons to 100 tons

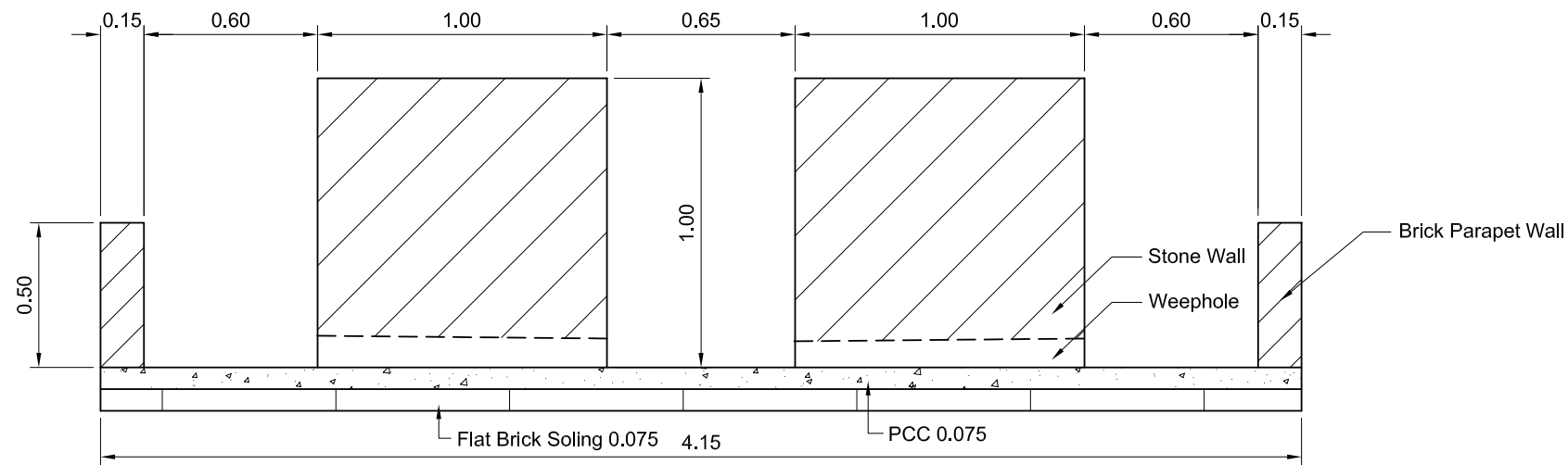
Note: All Dimensions are in Meters.
Scale 1 : 100



Plan
Scale 1:100



Elevation from Center
Scale 1:100



Section C-C
Scale 1:25

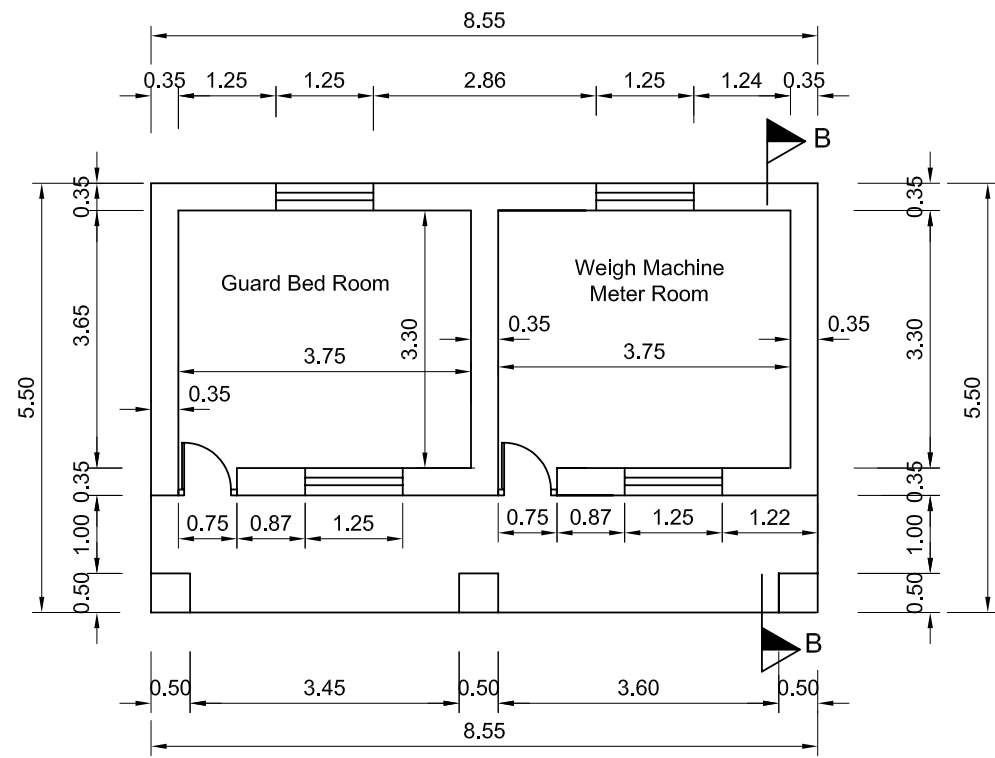
Note : All Dimensions are in Meters.

Clean Kathmandu Valley Study
Banchare Danda Landfill Site

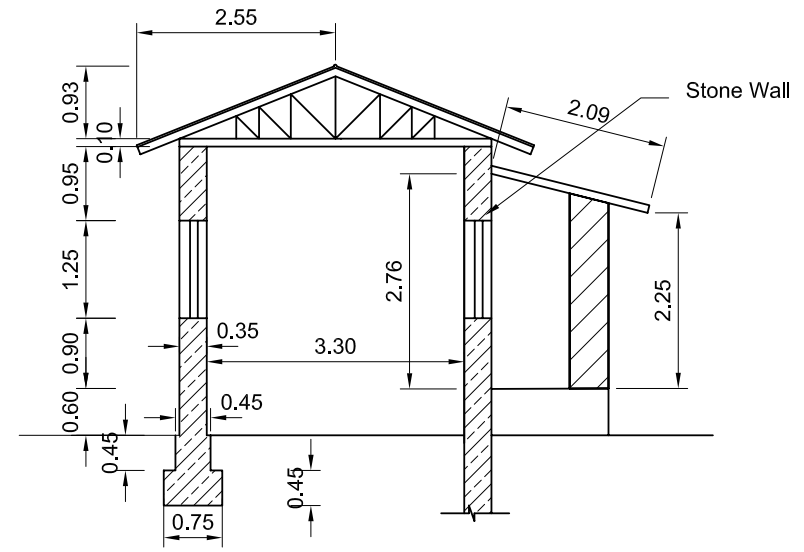
Japan International Cooperation Agency

Dwg.no. 62
Detail of Vehicle Wash Pool

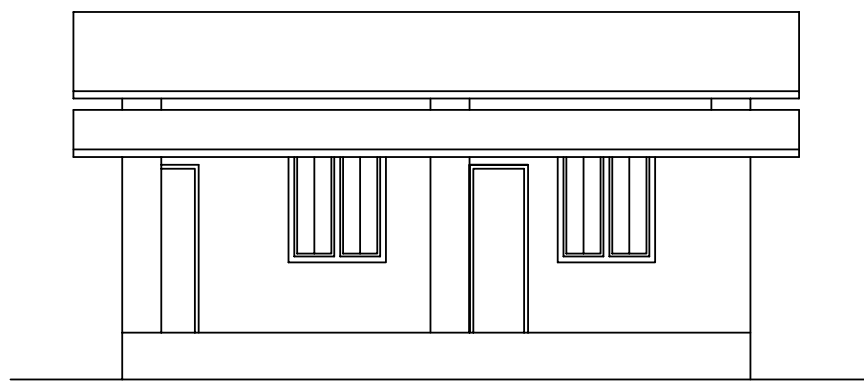
Guard House



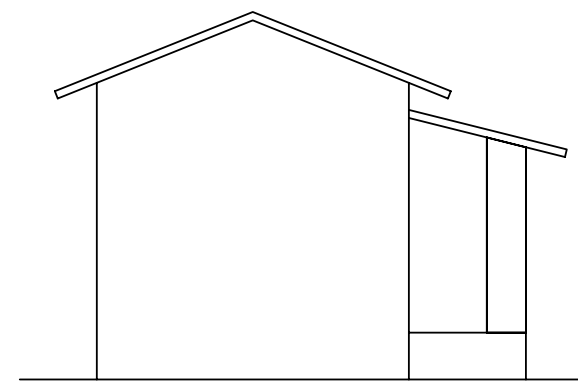
Plan



Section B-B



Front Elevation



Side Elevation

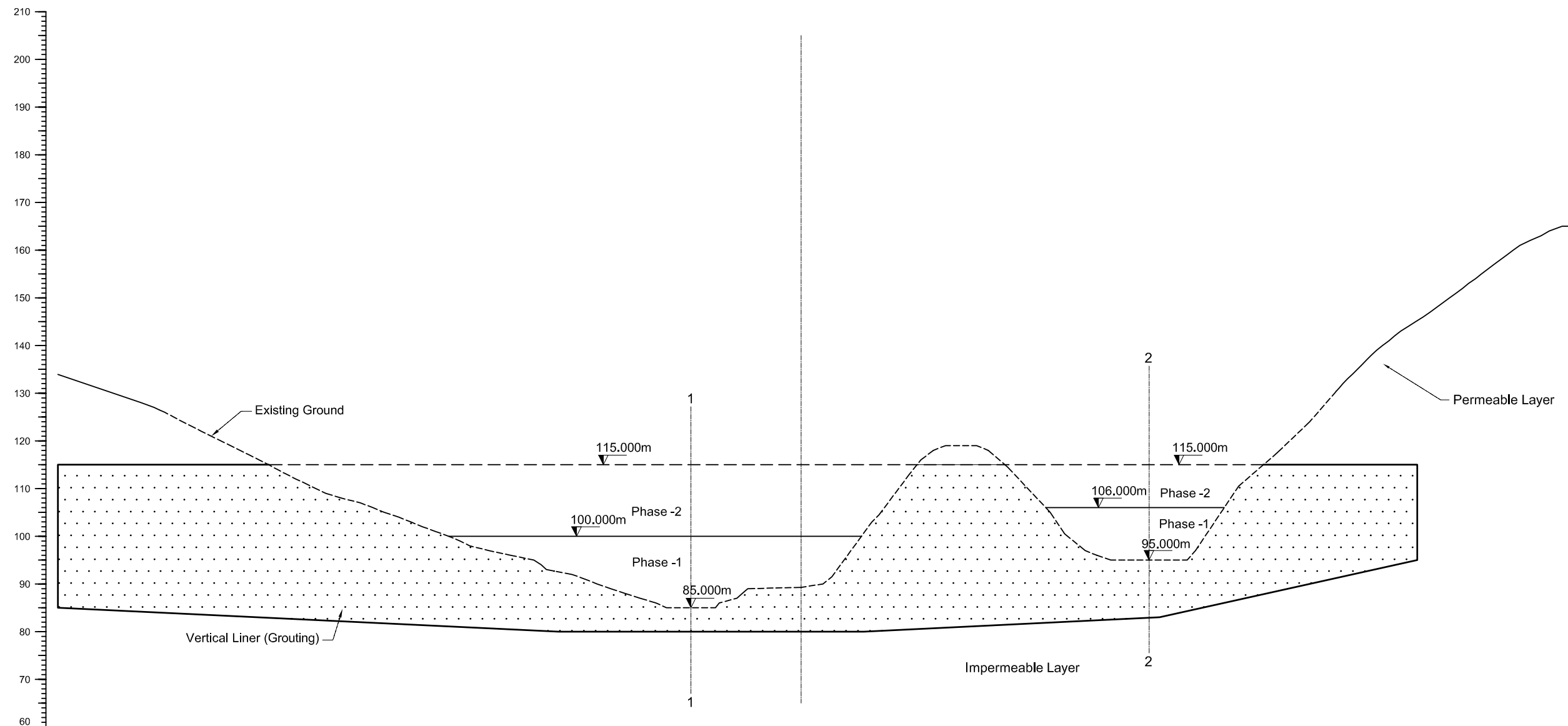
Note : All Dimensions are in Meters.

Scale 1 : 100

Clean Kathmandu Valley Study
Banchare Danda Landfill Site

Japan International Cooperation Agency

Dwg.no. 63
Detail of Guard House



DATUM

EXISTING LEVEL (m)	128.000 127.000	109.000 108.000 107.000	98.000 97.000 96.000 95.000 93.000 92.000	88.000 85.000	85.000 87.000 89.000	89.290 90.000 91.000 95.000 101.000	119.000 119.000	96.000 95.000	95.000 96.000	111.000 113.000	120.000	140.000 146.000 147.000	162.000 165.000 164.000	158.000
DISTANCE (m)	138.35 135.64	99.67 96.36 92.43	69.50 65.54 60.90 56.05 53.43 48.05	36.88 28.24	17.96 13.49 11.21	0.00 4.57 6.02 9.25 13.43	30.27 36.79	62.02 64.93	80.94 82.09	92.20 94.88	102.33	121.89 130.43 131.87	152.84 162.28 165.72	179.63

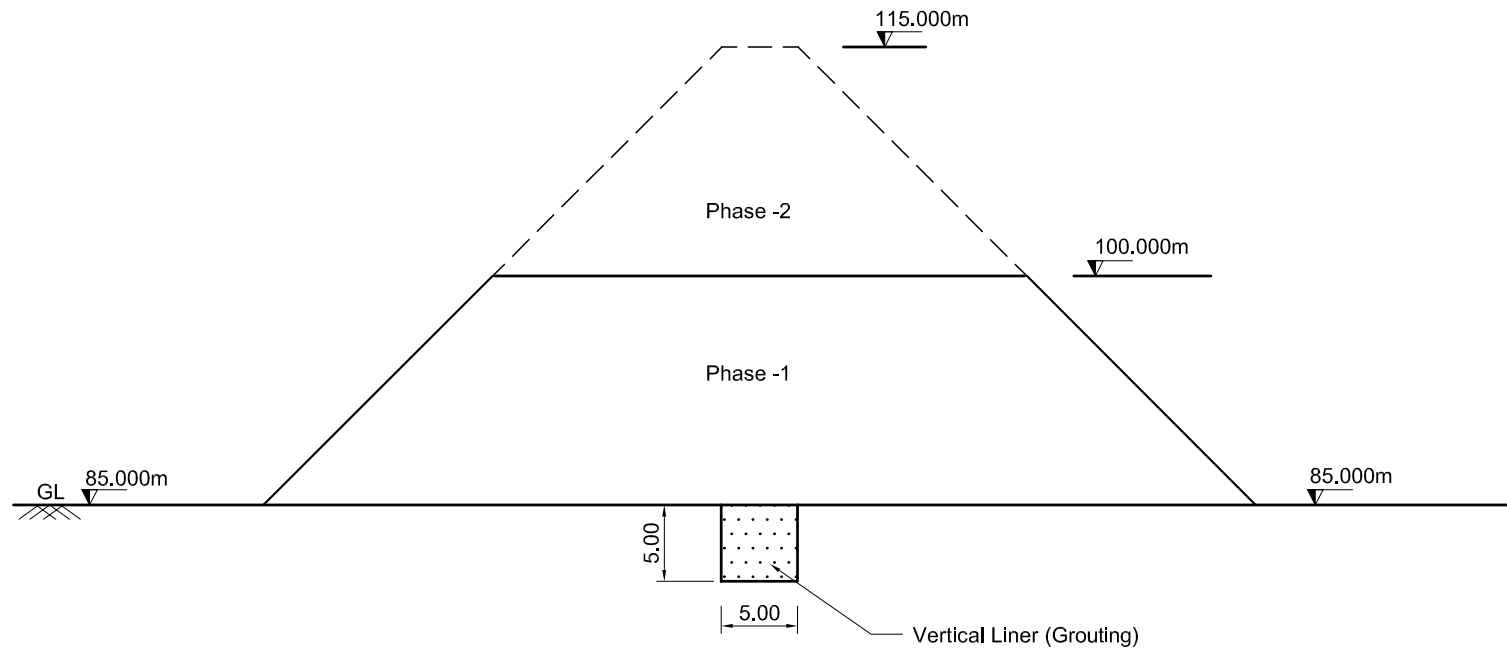
Vertical Liner Section at Dam Axis

Scale 1:1000

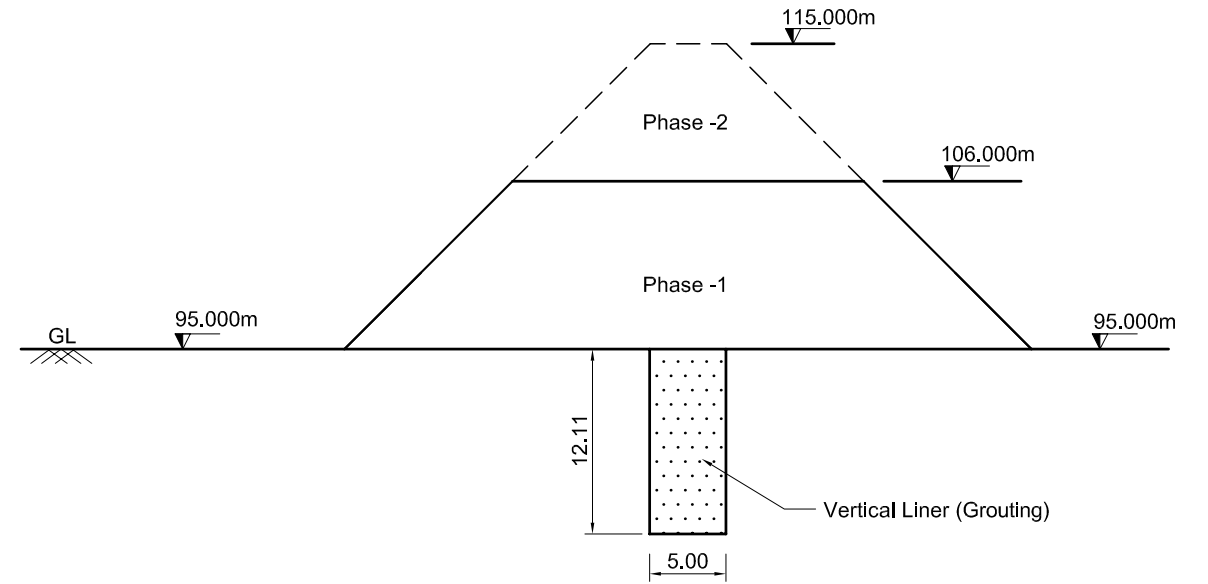
Clean Kathmandu Valley Study
Banchare Danda Landfill Site (Phase II)

Japan International Cooperation Agency

Dwg.no. 64
Vertical Liner -1
(Alternative)



Vertical Liner Section at 1 - 1



Vertical Liner Section at 2 - 2

Note : All Dimensions are in Meters.

Scale 1:500

Clean Kathmandu Valley Study
Banchare Danda Landfill Site (Phase II)
 Japan International Cooperation Agency

Dwg.no. 65
Vertical Liner-2
 (Alternative)

