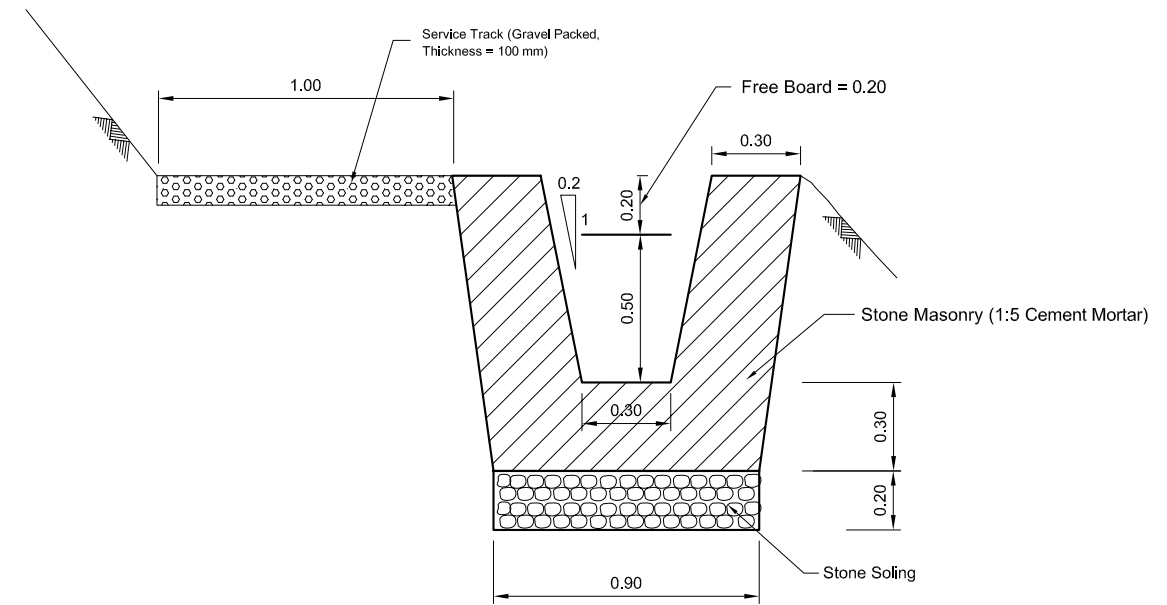
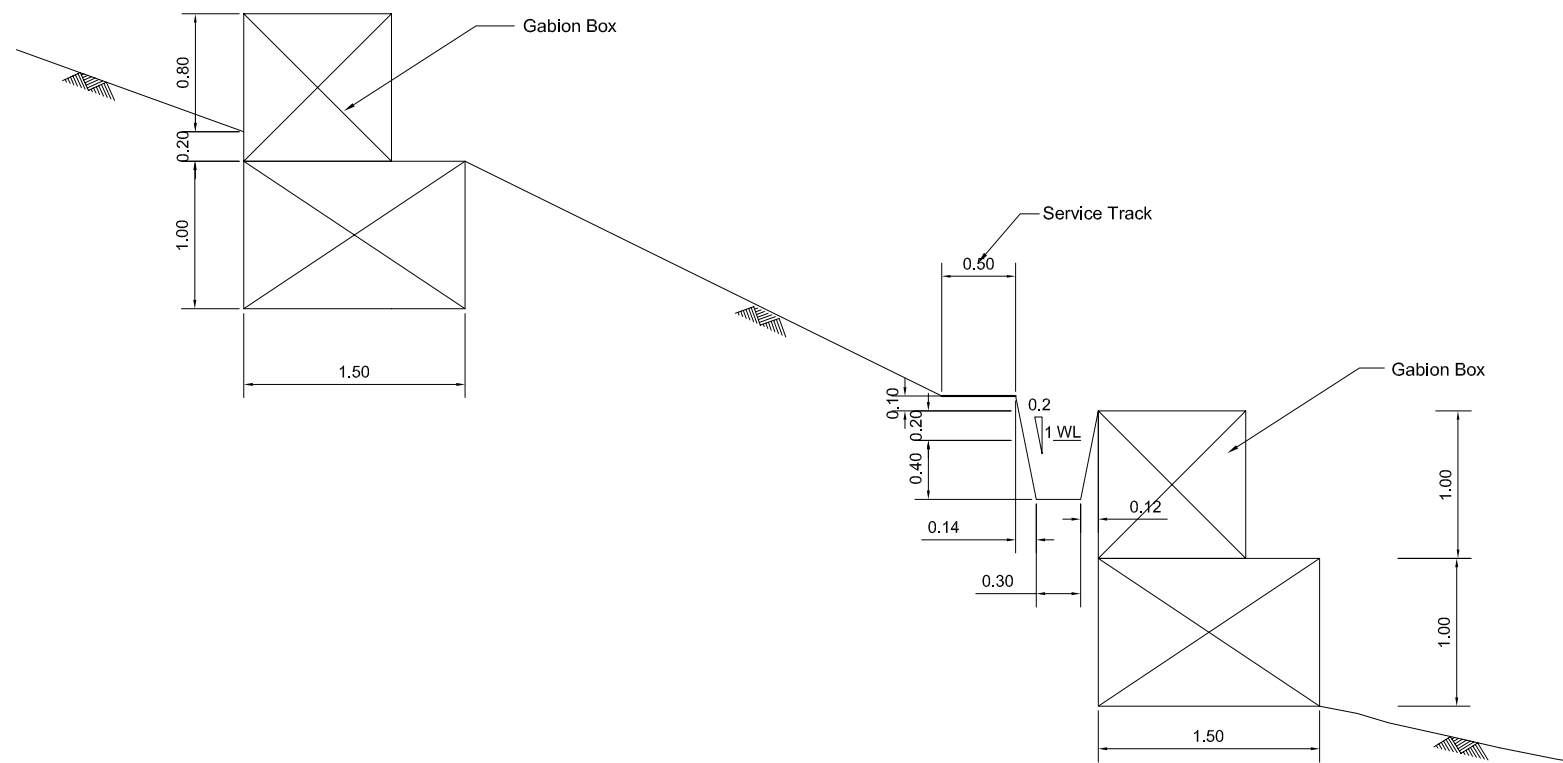


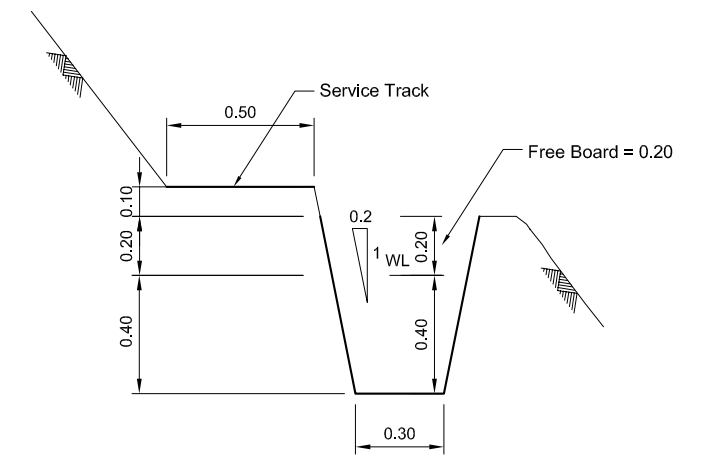
Typical Fall Structure of Permanent Rainwater Drainage at Steep Gradient  
Scale 1:100



Typical Section of Permanent Rainwater Drain  
Scale 1:25



Typical L - Section of Temporary Rainwater Earth Drain at Gully Crossing  
Scale 1:50



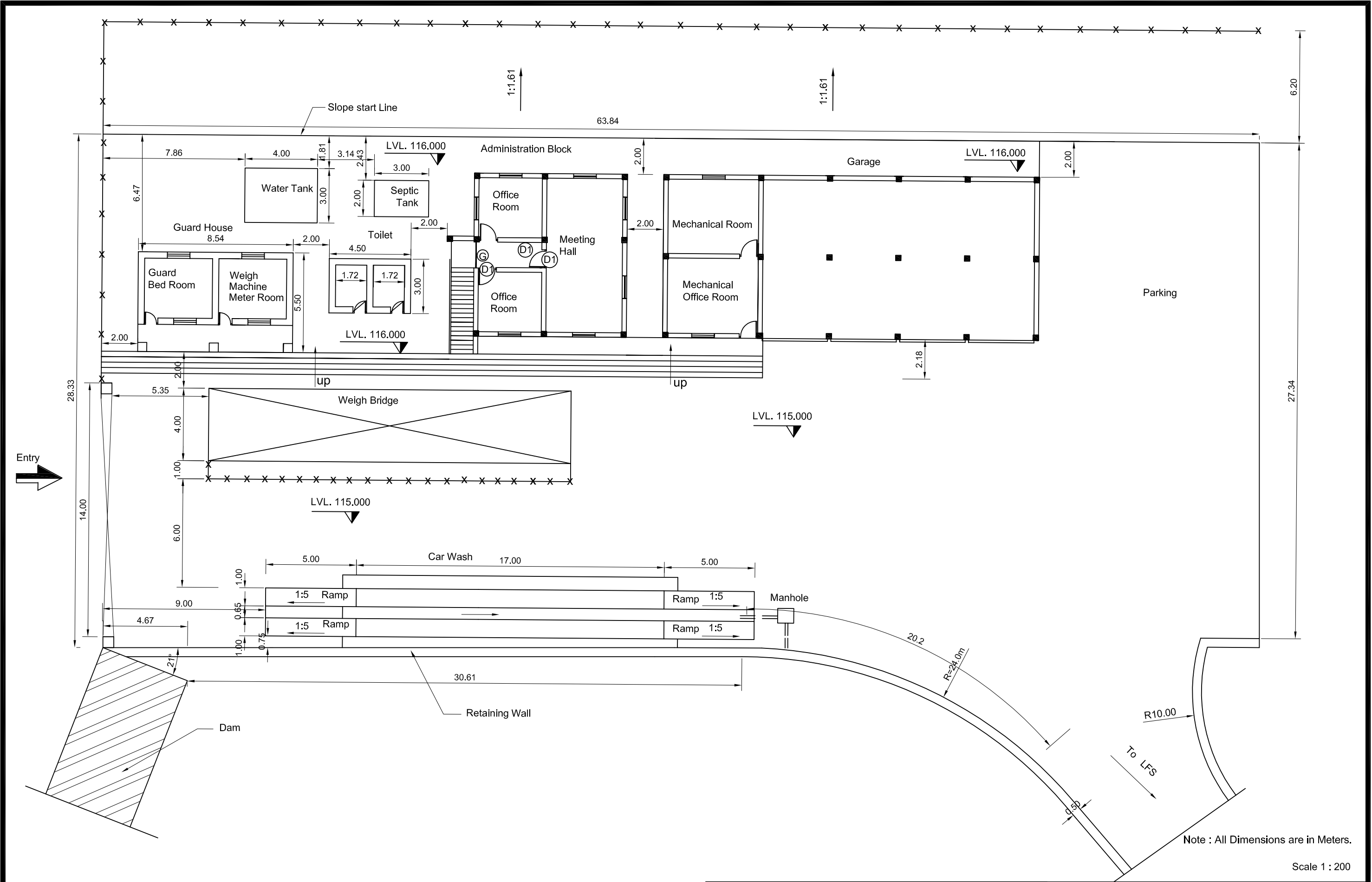
Typical Section of Temporary Earth Drain for Phase I  
Scale 1:25

Note: All Dimensions are in Meters.

Clean Kathmandu Valley Study  
Banchare Danda Landfill Site

Japan International Cooperation Agency

Dwg.no. 54  
Detail of Rainwater Drainage

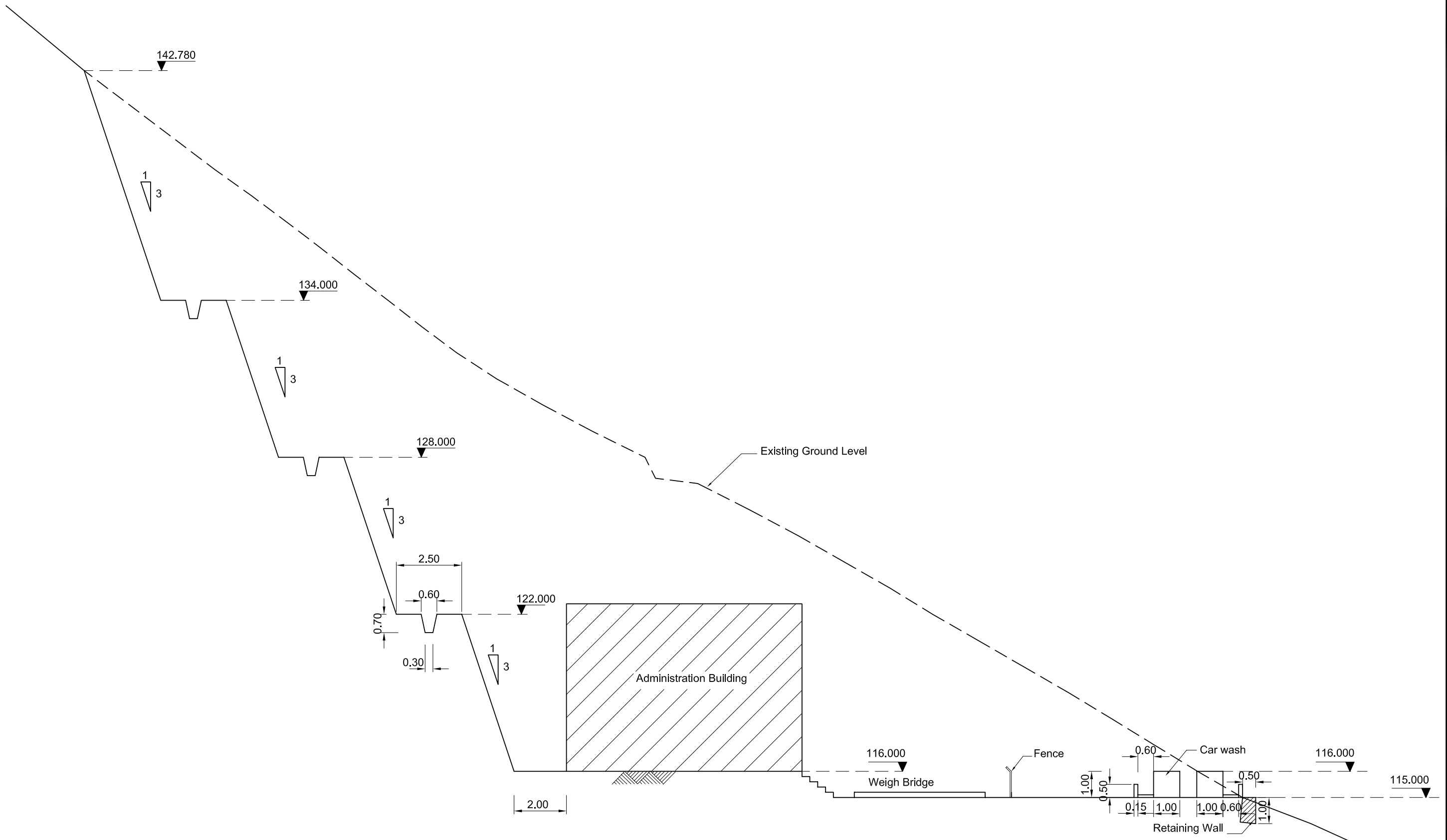


Note : All Dimensions are in Meters.

Scale 1 : 200

Clean Kathmandu Valley Study  
 Banchara Danda Landfill Site  
 Japan International Cooperation Agency

**Dwg.no. 55**  
**Administration Facilities Plan**



Note : All Dimensions are in Meters.  
Scale 1 :150

<p>Clean Kathmandu Valley Study Banchare Danda Landfill Site</p>	<p><b>Dwg.no. 56</b> <b>Cross Section of</b> <b>Administrative facilities</b></p>
<p><b>Japan International Cooperation Agency</b></p>	