

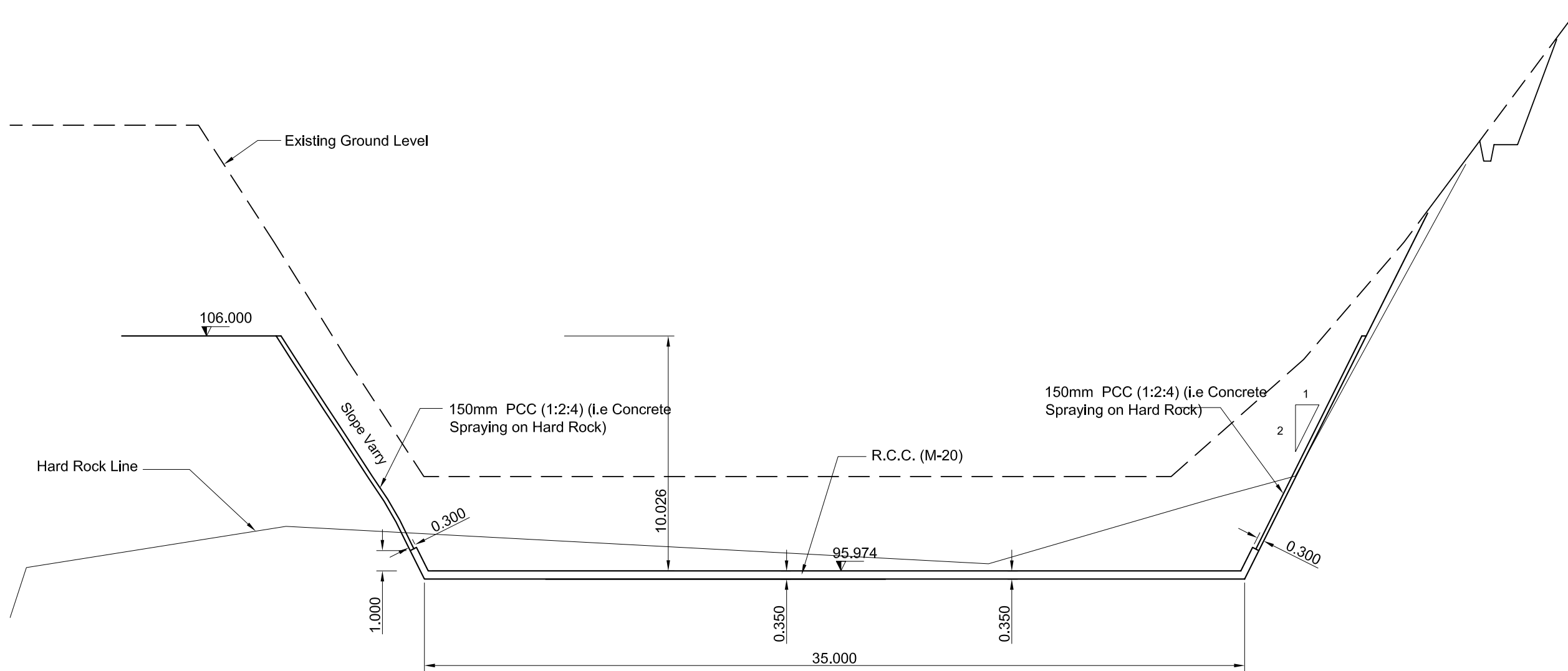
Section of Sedimentation pond at - S11

All Dimensions are in Meters.

Scale 1 : 400

Clean Kathmandu Valley Study
Banchare Danda Landfill Site
 Japan International Cooperation Agency

Dwg.no. 45
Section S11 - S11

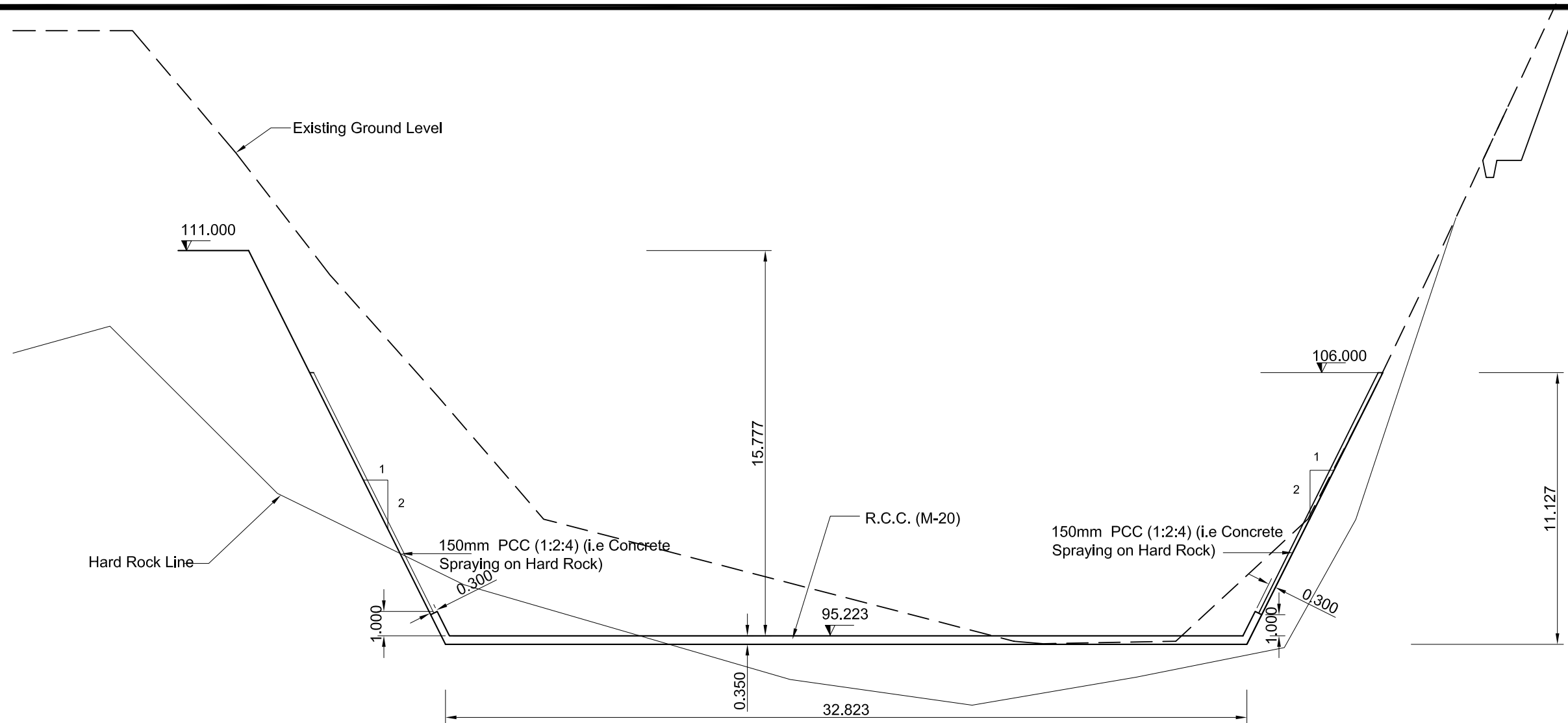


Typical Section of Sedimentation Pond at - S1, S2

All Dimensions are in Meters.
Scale 1 : 200

Clean Kathmandu Valley Study Banchare Danda Landfill Site
Japan International Cooperation Agency

Dwg.no. 46 Typical Section S1 & S2

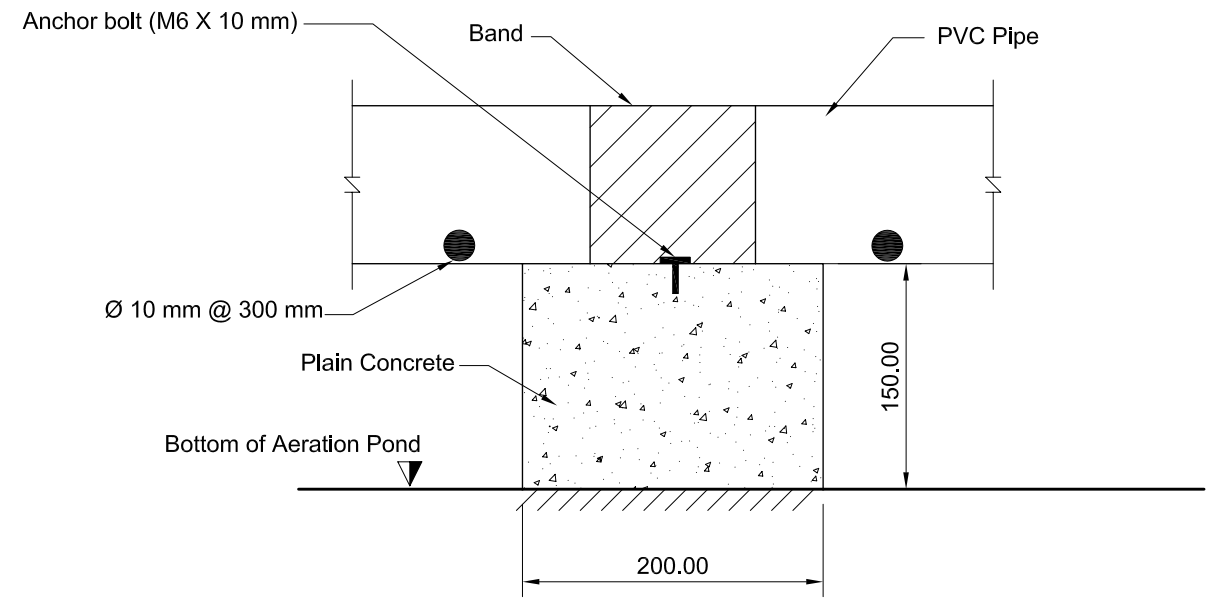
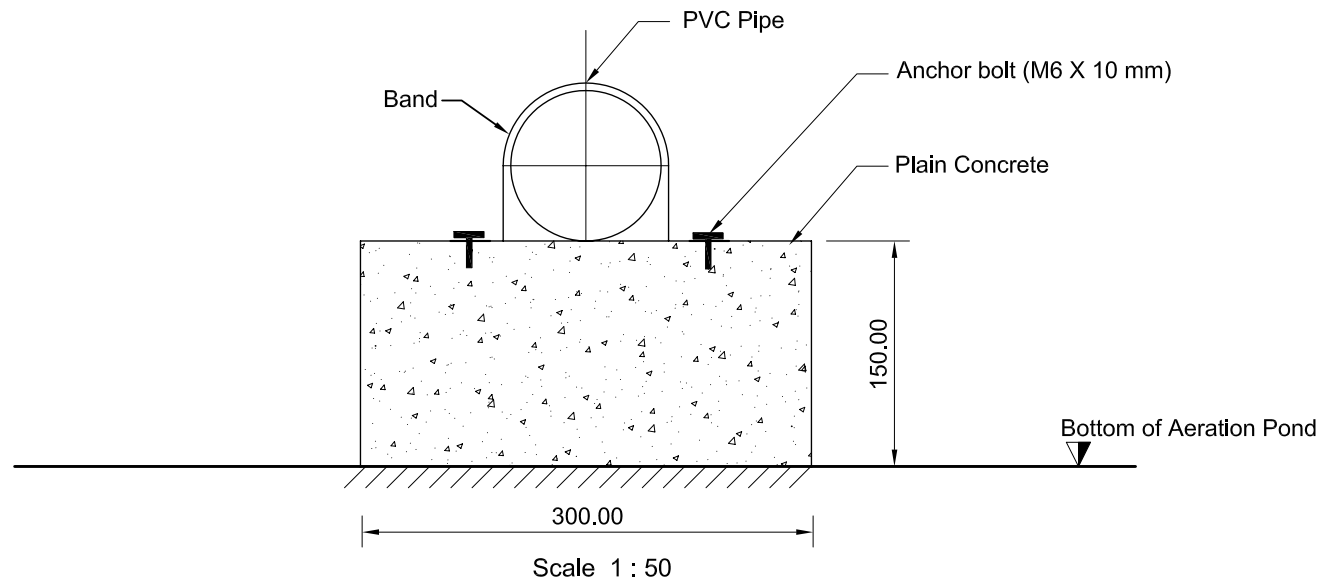


Typical Section of Sedimentation Pond at - S3

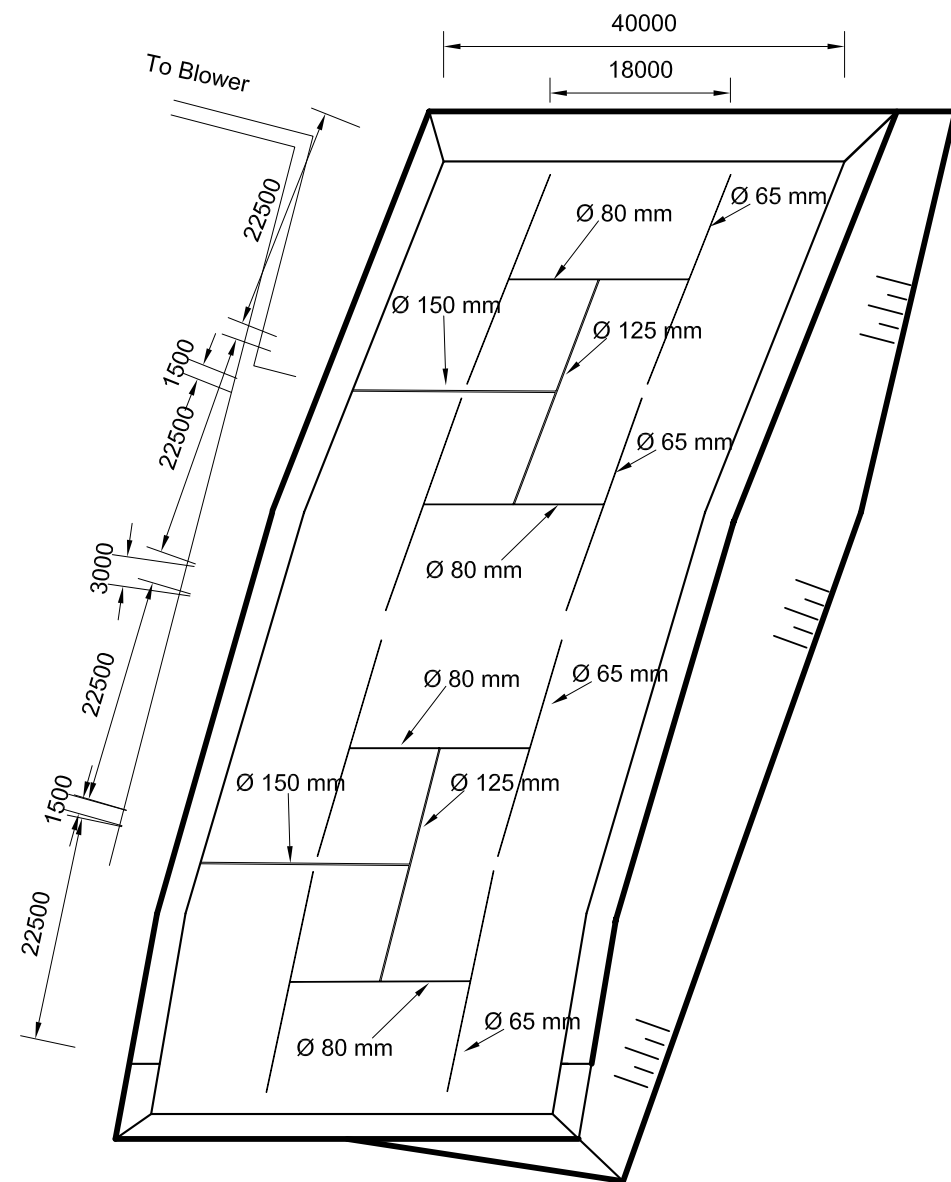
All Dimensions are in Meters.
Scale 1 : 200

Clean Kathmandu Valley Study Banchare Danda Landfill Site
Japan International Cooperation Agency

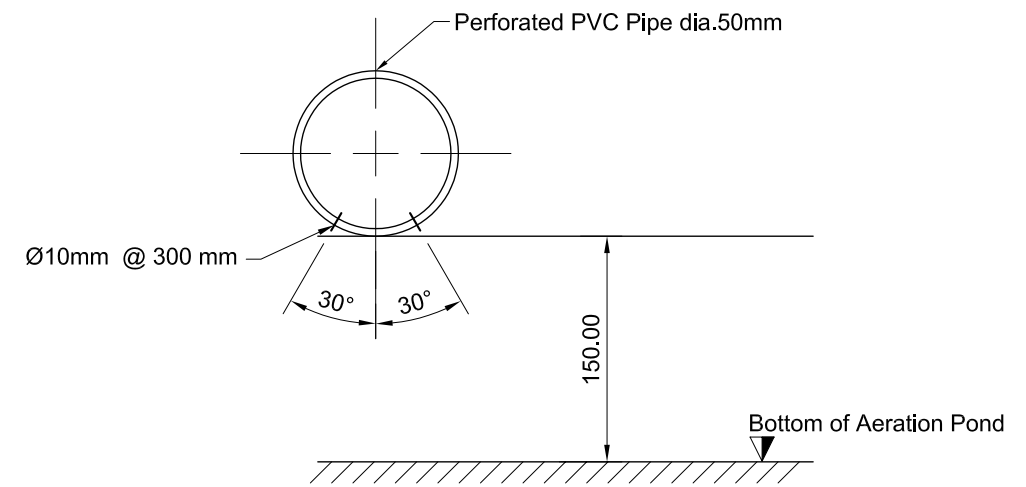
Dwg.no. 47 Typical Section S3



Detail of Perforated Pipe Support
Scale 1 : 50



Plan of Perforated Pipe
Scale 1 : 750



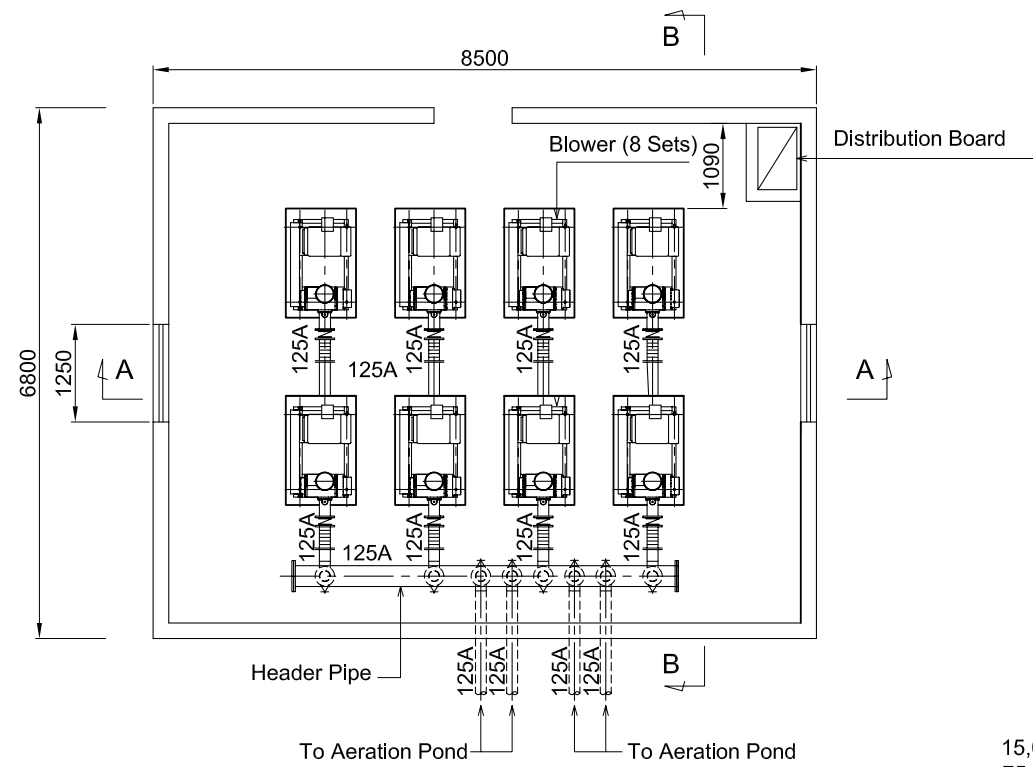
Detail of Perforated Pipe
Scale 1 : 50

Note : All Dimensions are in Millimeters.

Clean Kathmandu Valley Study
Banchare Danda Landfill Site

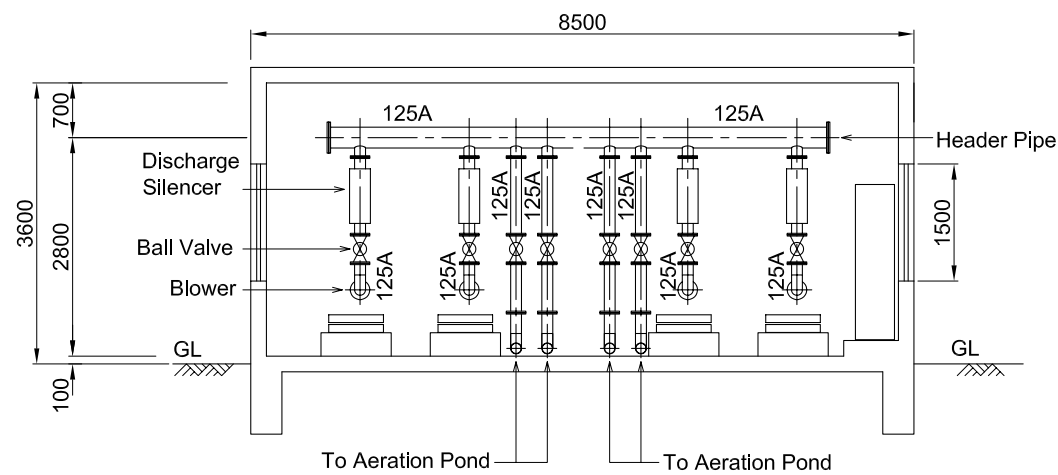
Japan International Cooperation Agency

Dwg.no. 48
Details of Aeration Pipe Plan

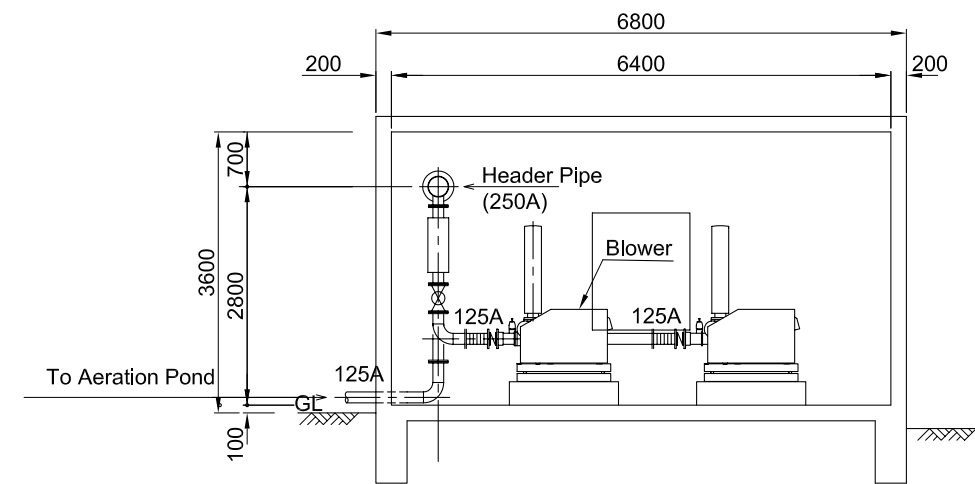


$15,000\text{m}^3 \times 0.3\text{m}^3/\text{hr} = 4,500\text{m}^3/\text{hr} = 50\text{m}^3/\text{min}$
 $75\text{m}^3/\text{min} / 8 \text{ Sets} = 9.4\text{m}^3/\text{min}$

Plan



Section A-A



Section B-B

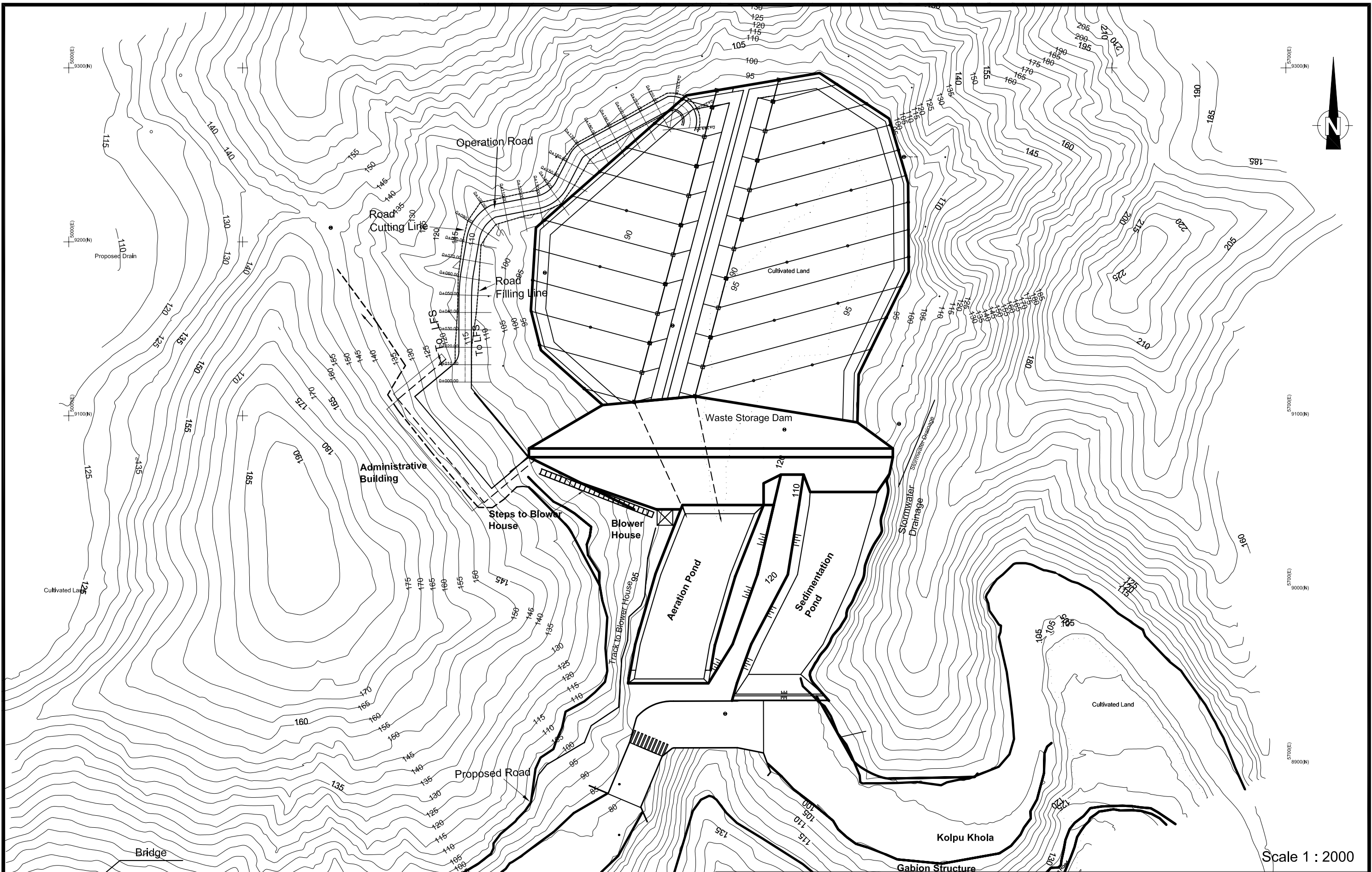
Note : All Dimensions are in Millimeters.

Scale 1 : 100

Clean Kathmandu Valley Study
Banchare Danda Landfill Site

Japan International Cooperation Agency

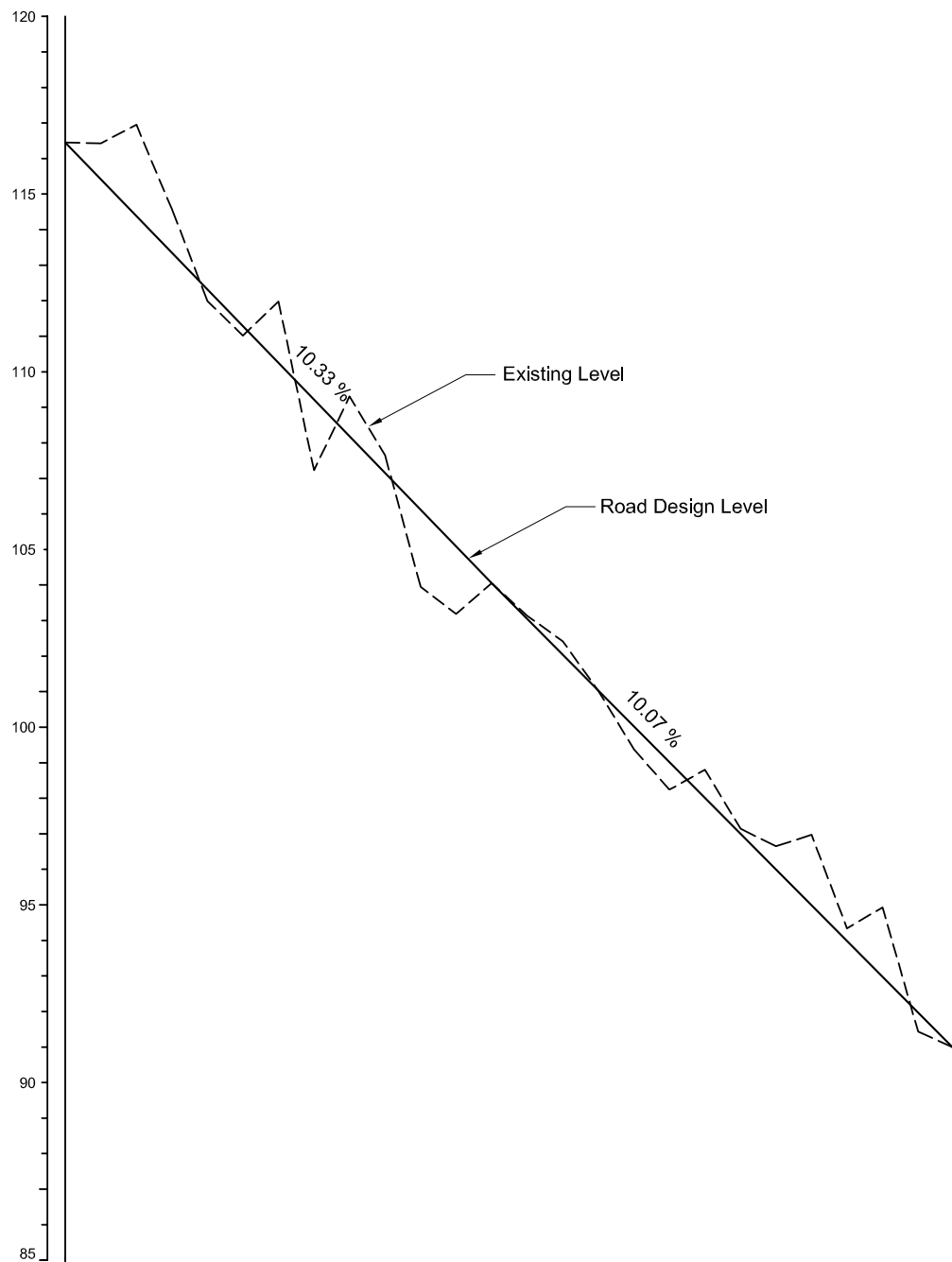
Dwg.no. 49
Blower House Detail



Scale 1 : 2000

Clean Kathmandu Valley Study
 Banchara Danda Landfill Site
 Japan International Cooperation Agency

Dwg.no. 50
Road Facility Plan

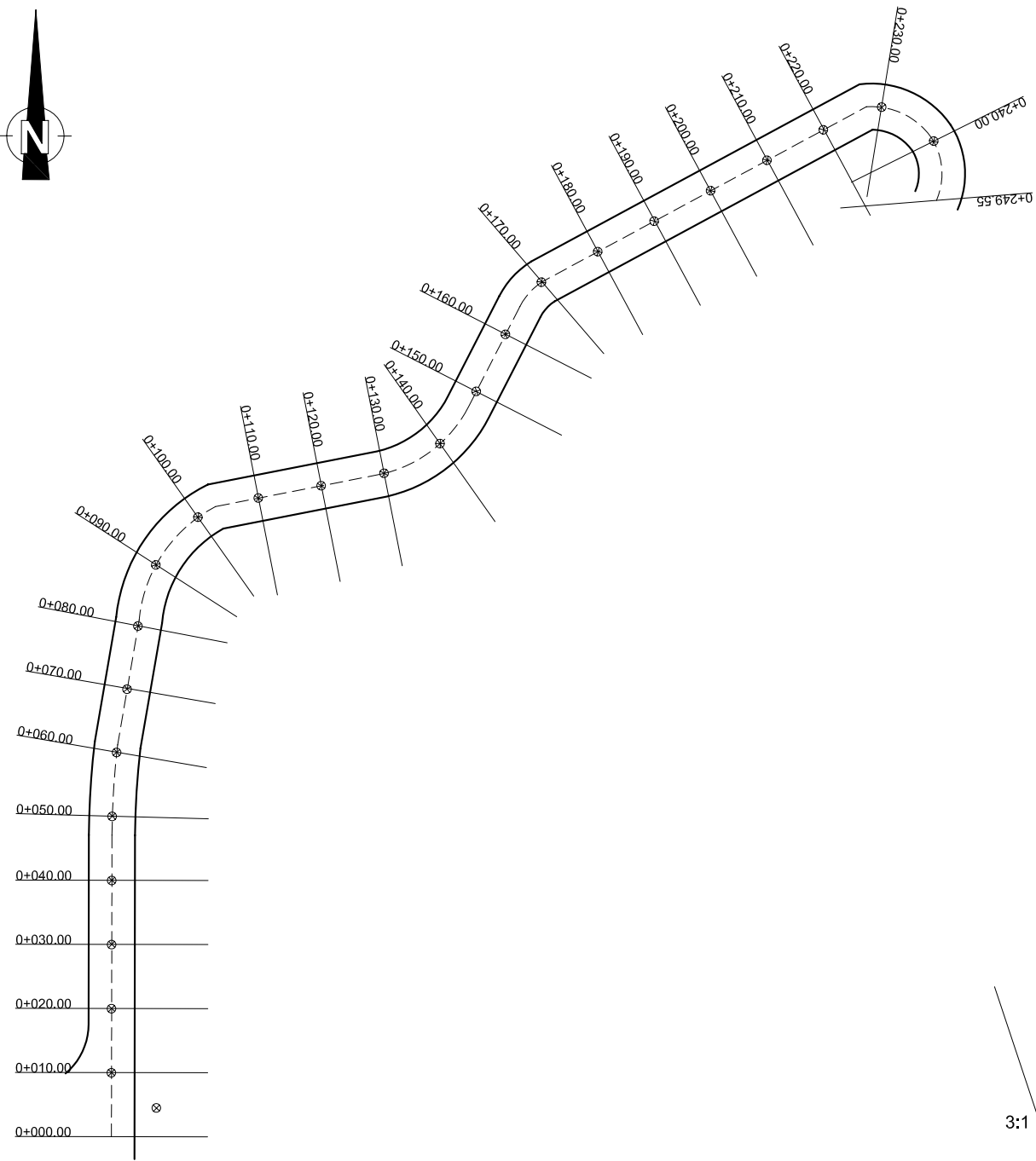
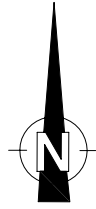


DATUM	
DESIGN LEVEL (m)	116.450 115.417 114.383 113.350 112.317 111.283 110.250 109.217 108.183 107.150 106.117 105.083 104.050 103.043 102.037 101.030 100.023 99.016 98.010 97.003 95.996 94.989 93.983 92.976 91.969 91.000
EXISTING LEVEL (m)	116.450 116.430 116.950 114.580 111.990 111.020 111.980 107.230 109.310 107.650 103.950 103.190 104.050 103.130 102.420 101.020 99.380 98.240 98.800 97.140 96.650 96.970 94.340 94.930 91.430 91.000
DISTANCE (m)	0+000.00 0+010.00 0+020.00 0+030.00 0+040.00 0+050.00 0+060.00 0+070.00 0+080.00 0+090.00 0+100.00 0+110.00 0+120.00 0+130.00 0+140.00 0+150.00 0+160.00 0+170.00 0+180.00 0+190.00 0+200.00 0+210.00 0+220.00 0+230.00 0+240.00 0+249.55

Scale H 1 : 2000
V 1 : 200

Clean Kathmandu Valley Study
Banchare Danda Landfill Site
 Japan International Cooperation Agency

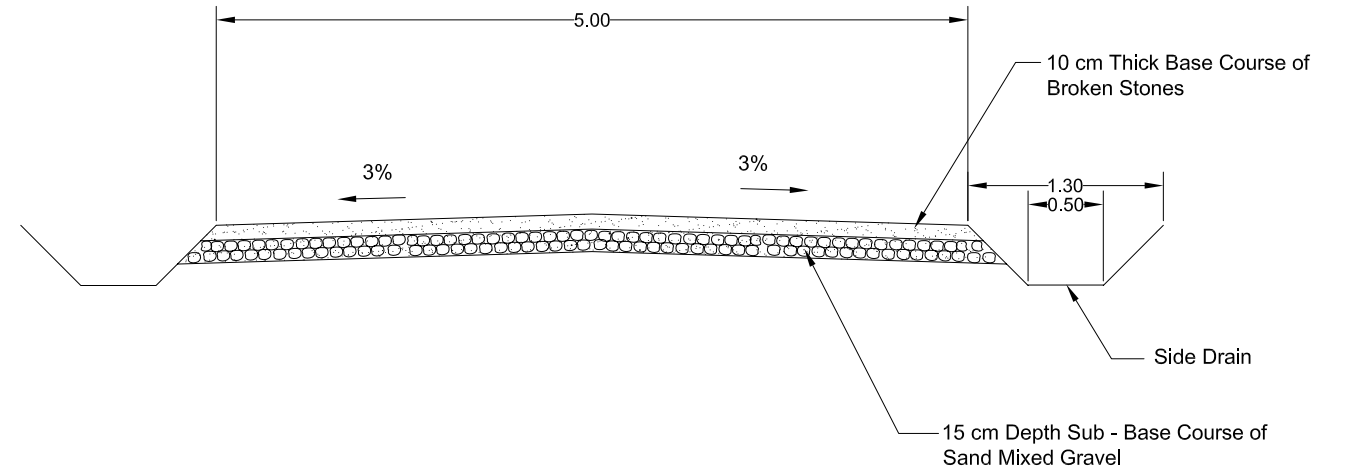
Dwg.no. 51
Operation Road Longitudinal Section



Operation Road Plan
(Scale 1 : 1000)

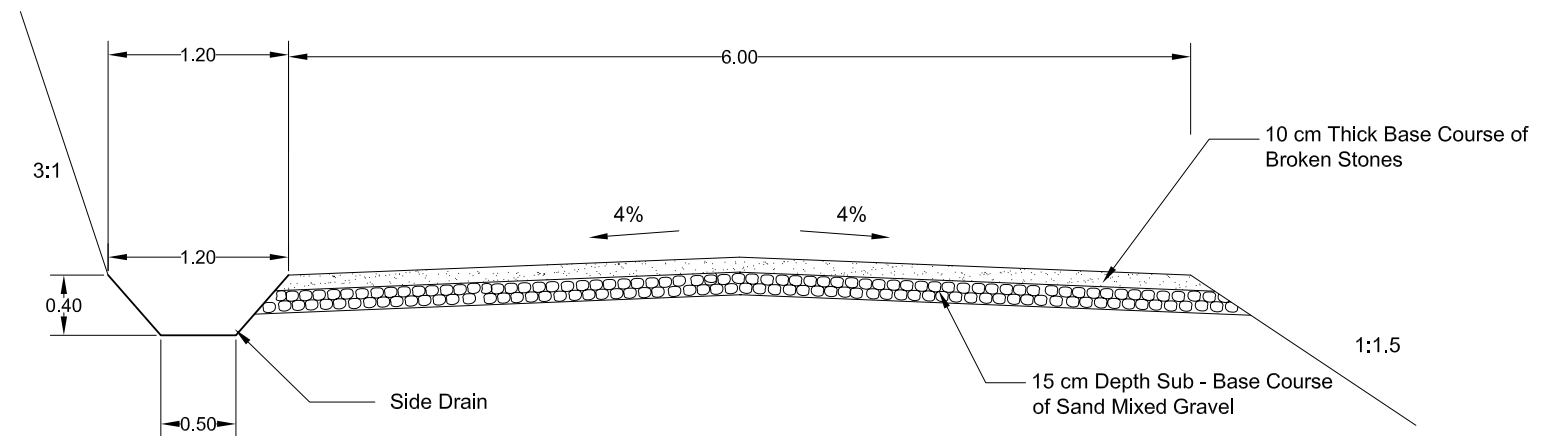
Typical Detail for Gravelled Internal Operation Road

(Scale 1 : 50)



Typical Detail for Gravelled Internal Operation Road

(Scale 1 : 50)



Note : All Dimensions are in Meters.

Clean Kathmandu Valley Study
Banchare Danda Landfill Site

Japan International Cooperation Agency

Dwg.no. 52
Detail of Road Facility