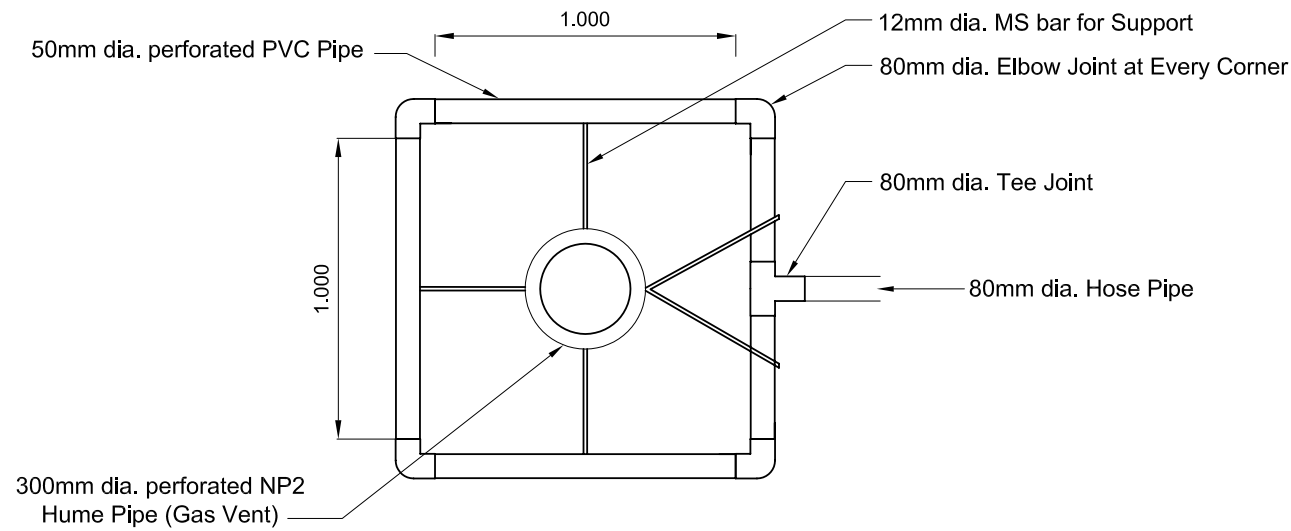
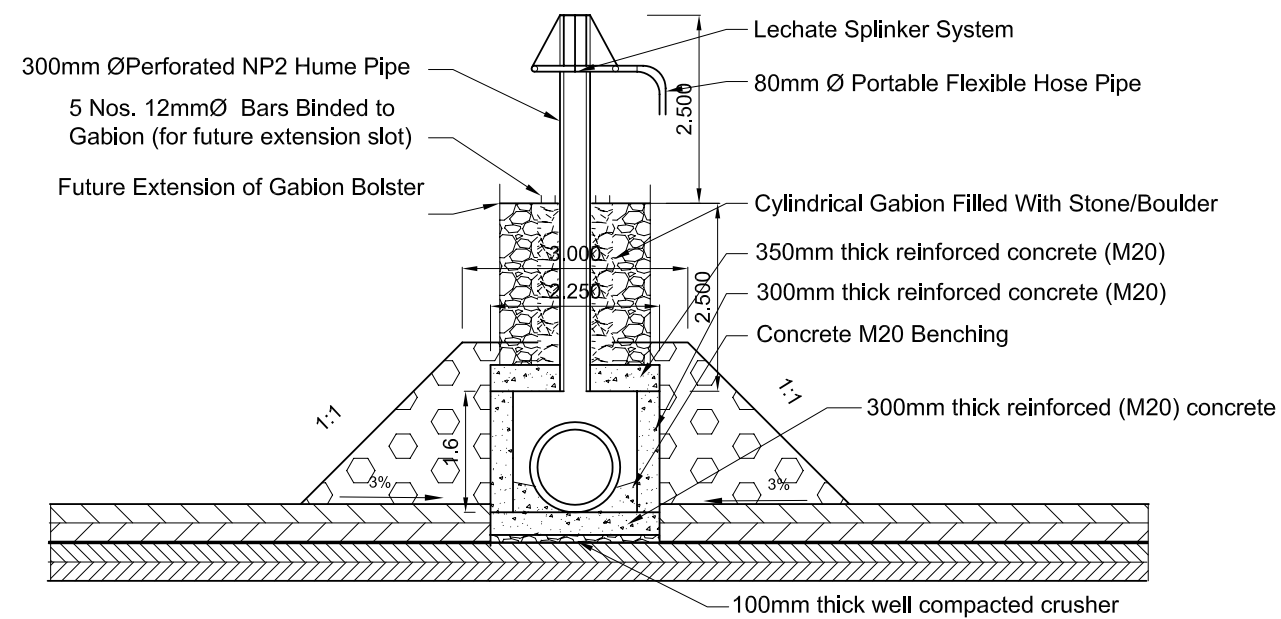


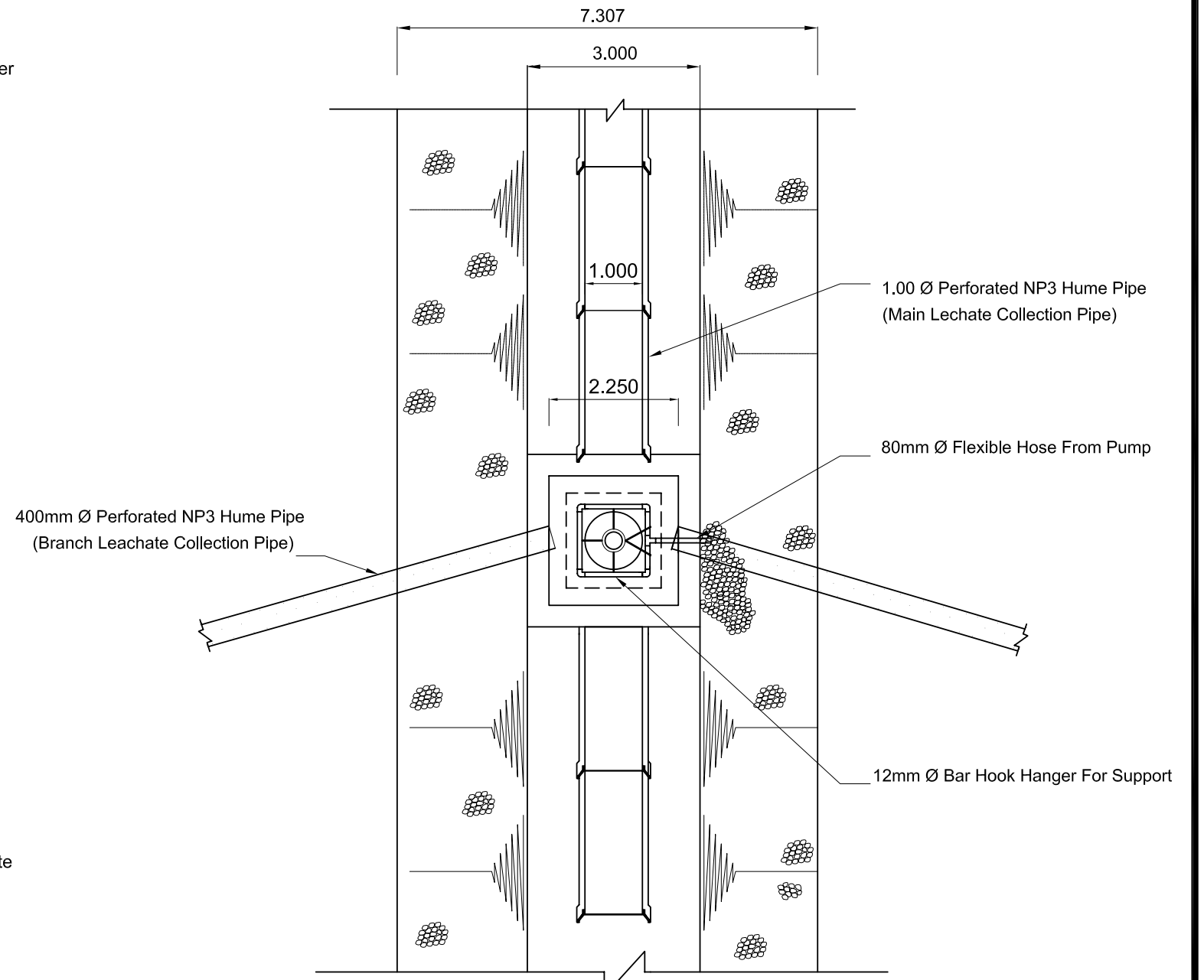
**Lechate Collection Pipe Longitudinal Section**  
(Scale 1:1000)



**Plan of Lechate Sprinkler System**  
(Scale 1:25)



**Gas Vent System (over Main Lechate Collection Pipe at the Bottom)**  
Scale 1:100



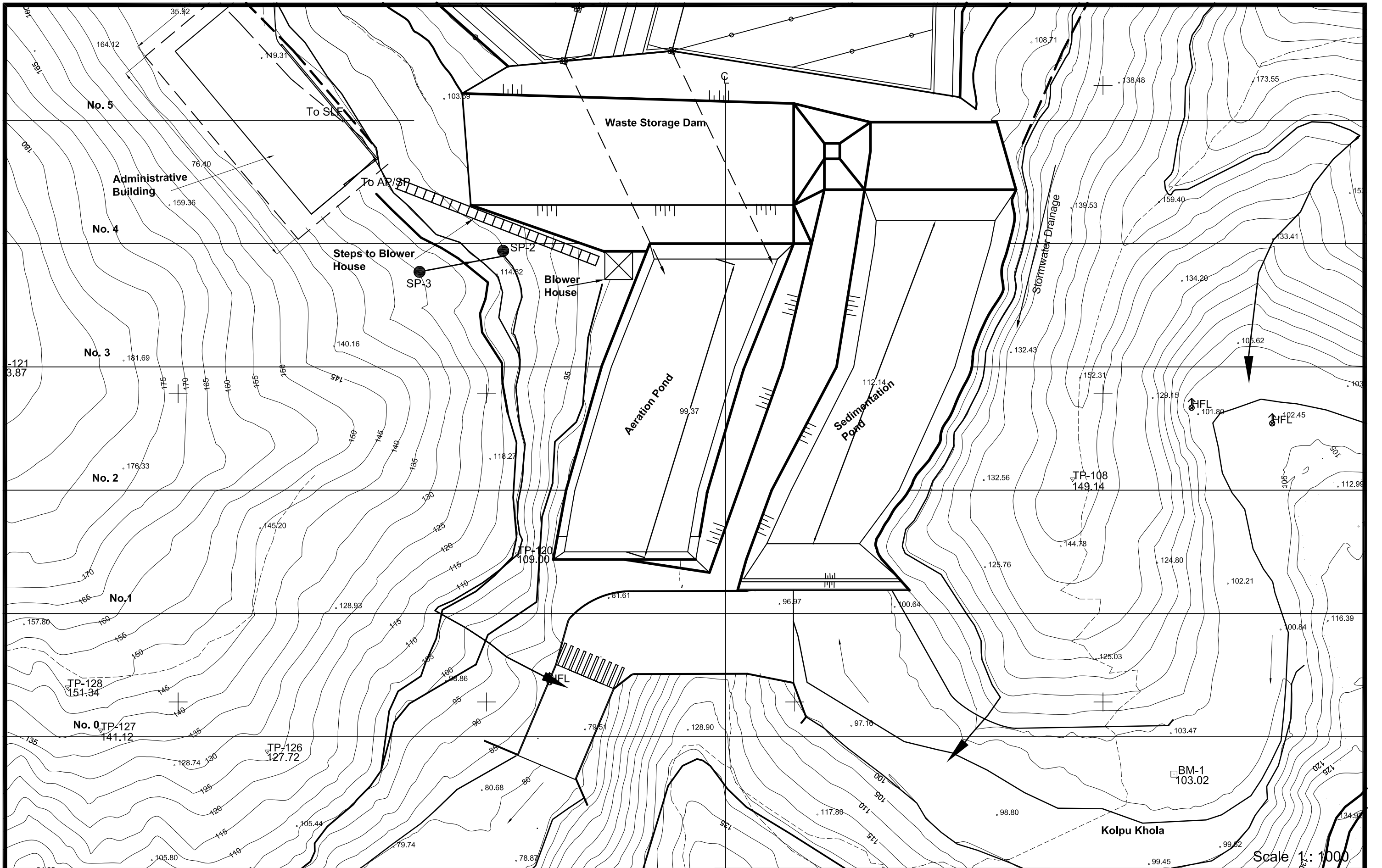
**Plan of Gas vent/Lechate Pipes Connected to Manhole at the Bottom**  
Scale 1:100

Note : All Dimensions are in Meters.

Clean Kathmandu Valley Study  
Banchare Danda Landfill Site

Japan International Cooperation Agency

**Dwg.no. 37**  
**Detail of Lechate Collection Pipe and**  
**Gas Vent Facility-2**



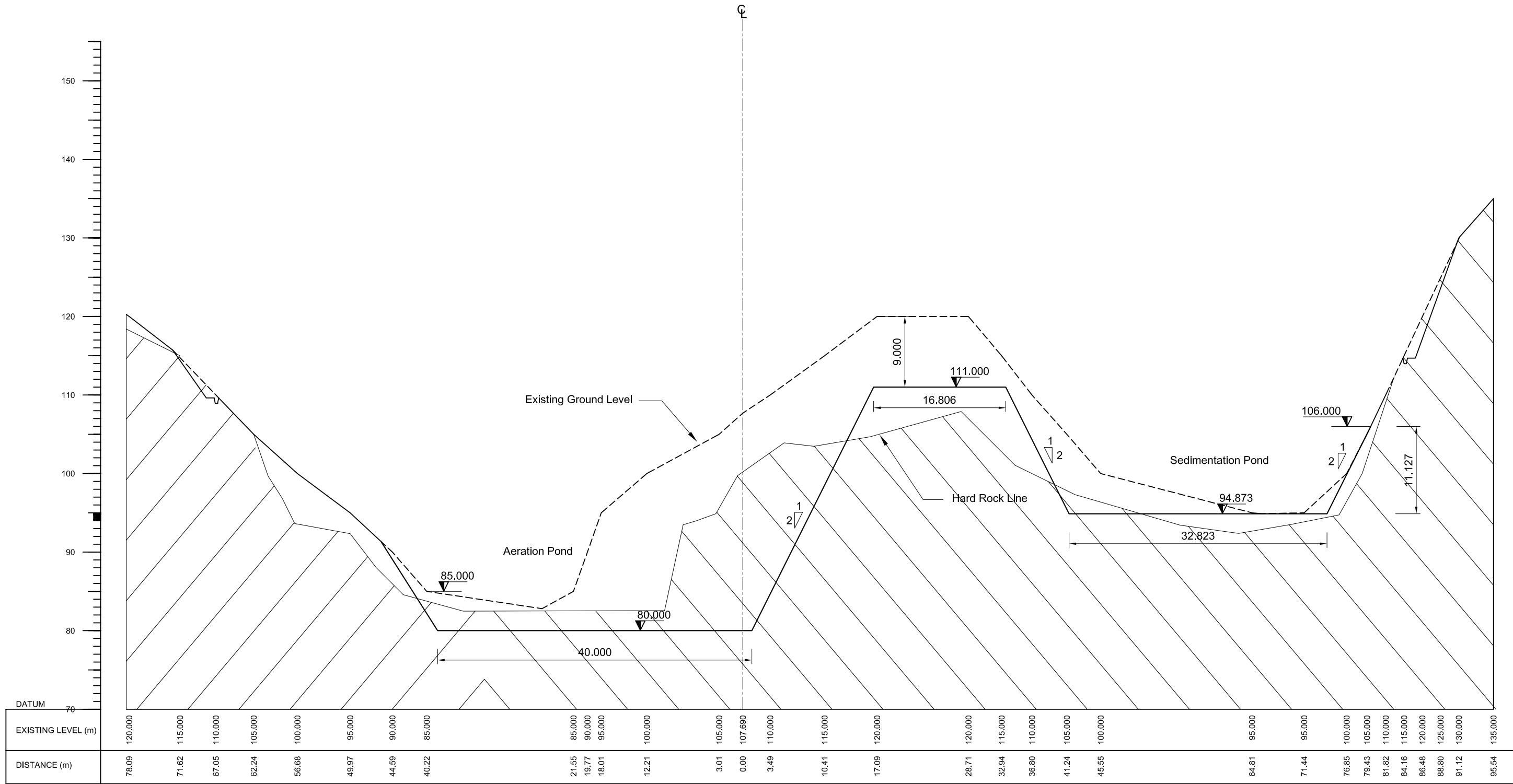
Scale 1:1000

Clean Kathmandu Valley Study  
Banchare Danda Landfill Site

Japan International Cooperation Agency

Dwg.no. 38  
**Leachate Facility Plan of Ponds**

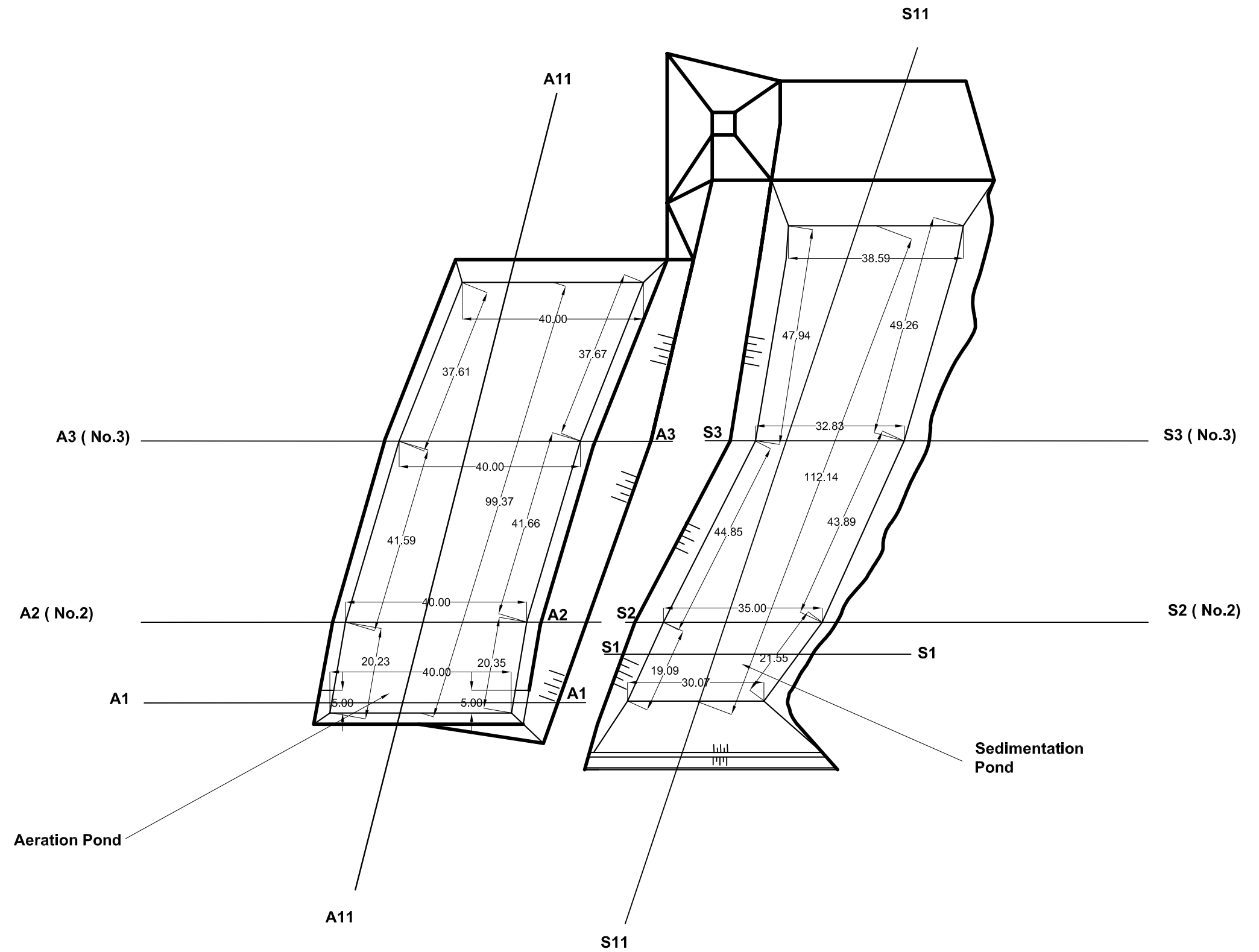




All Dimensions are in Meters.  
Scale 1 : 500

Clean Kathmandu Valley Study  
**Banchare Danda Landfill Site**  
 Japan International Cooperation Agency

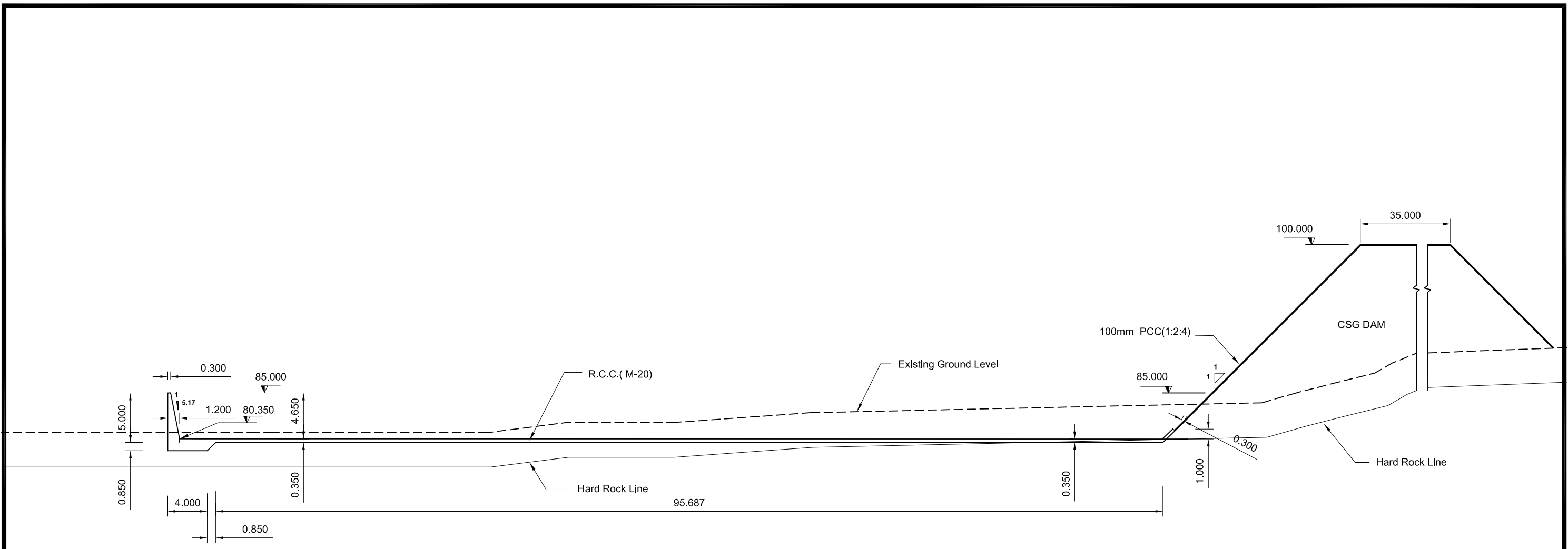
**Dwg.no. 40**  
**Cross Section - No.3**



All Dimensions are in Meters  
 Scale 1 : 1000

Clean Kathmandu Valley Study  
 Banchare Danda Landfill Site  
 Japan International Cooperation Agency

Dwg.no. 41  
 Plan of Ponds



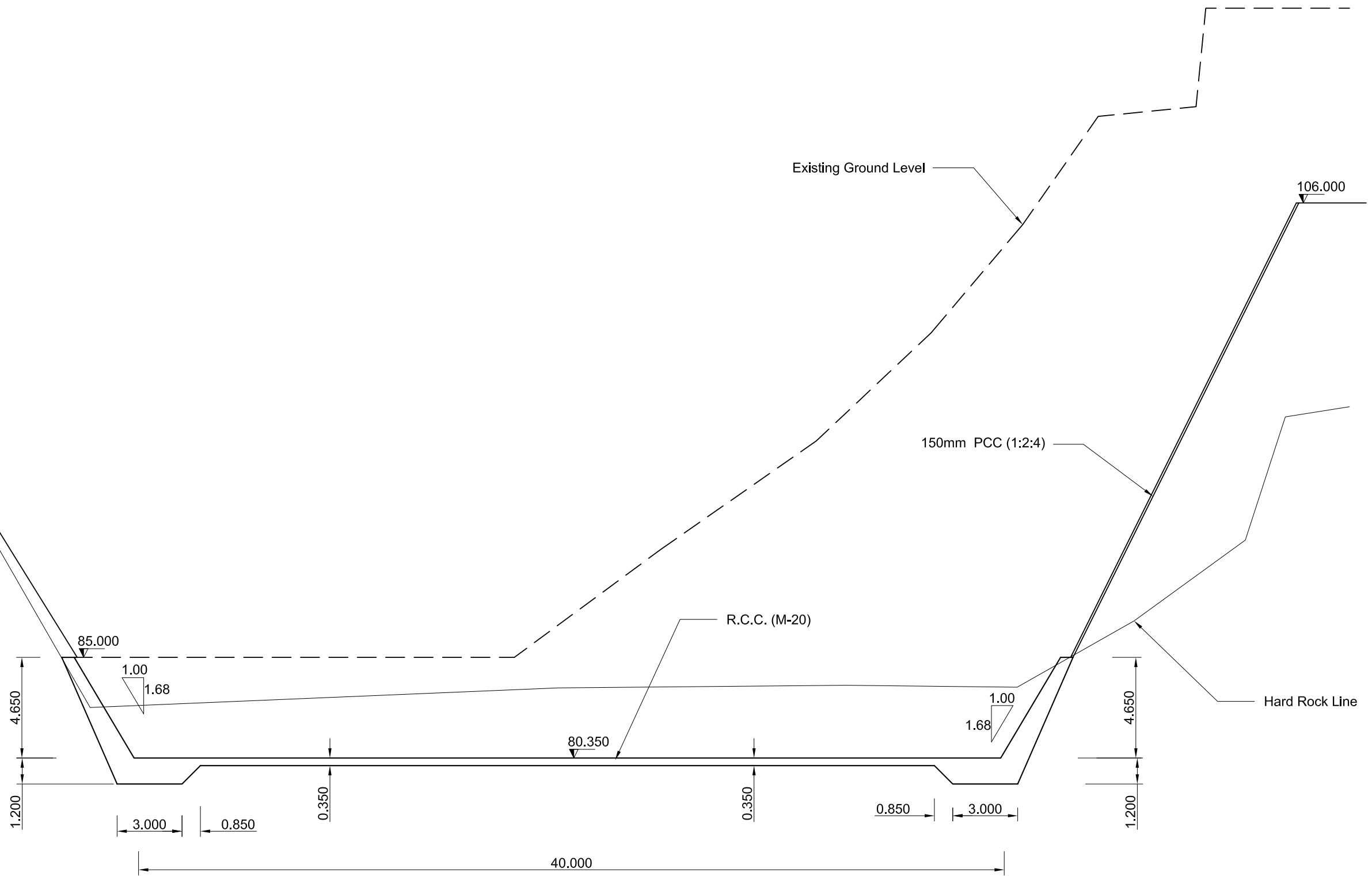
Section of Aeration Pond at - A11

All Dimensions are in Meters.

Scale 1 : 400

Clean Kathmandu Valley Study  
 Banchare Danda Landfill Site  
 Japan International Cooperation Agency

Dwg.no. 42  
 Section A11 - A11

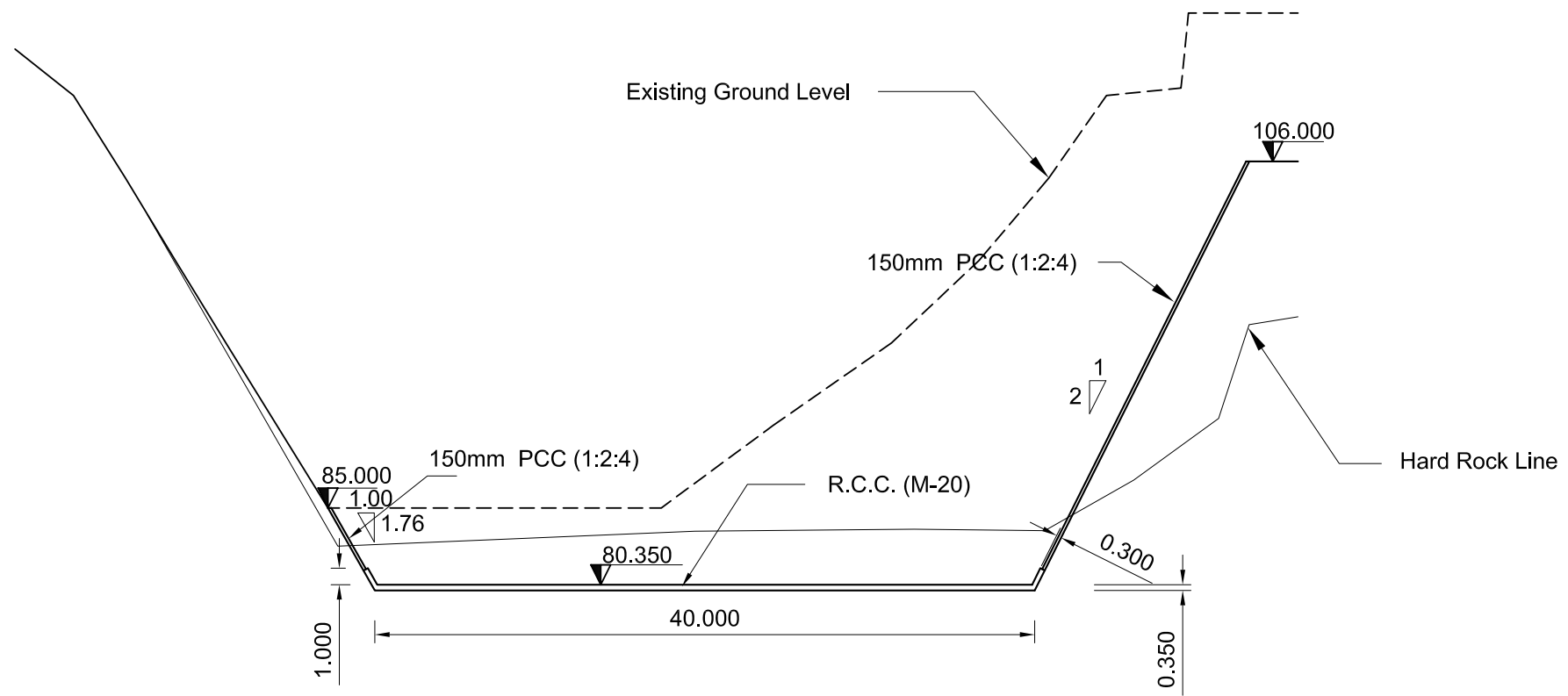


Section of Aeration Pond at A1 - A1

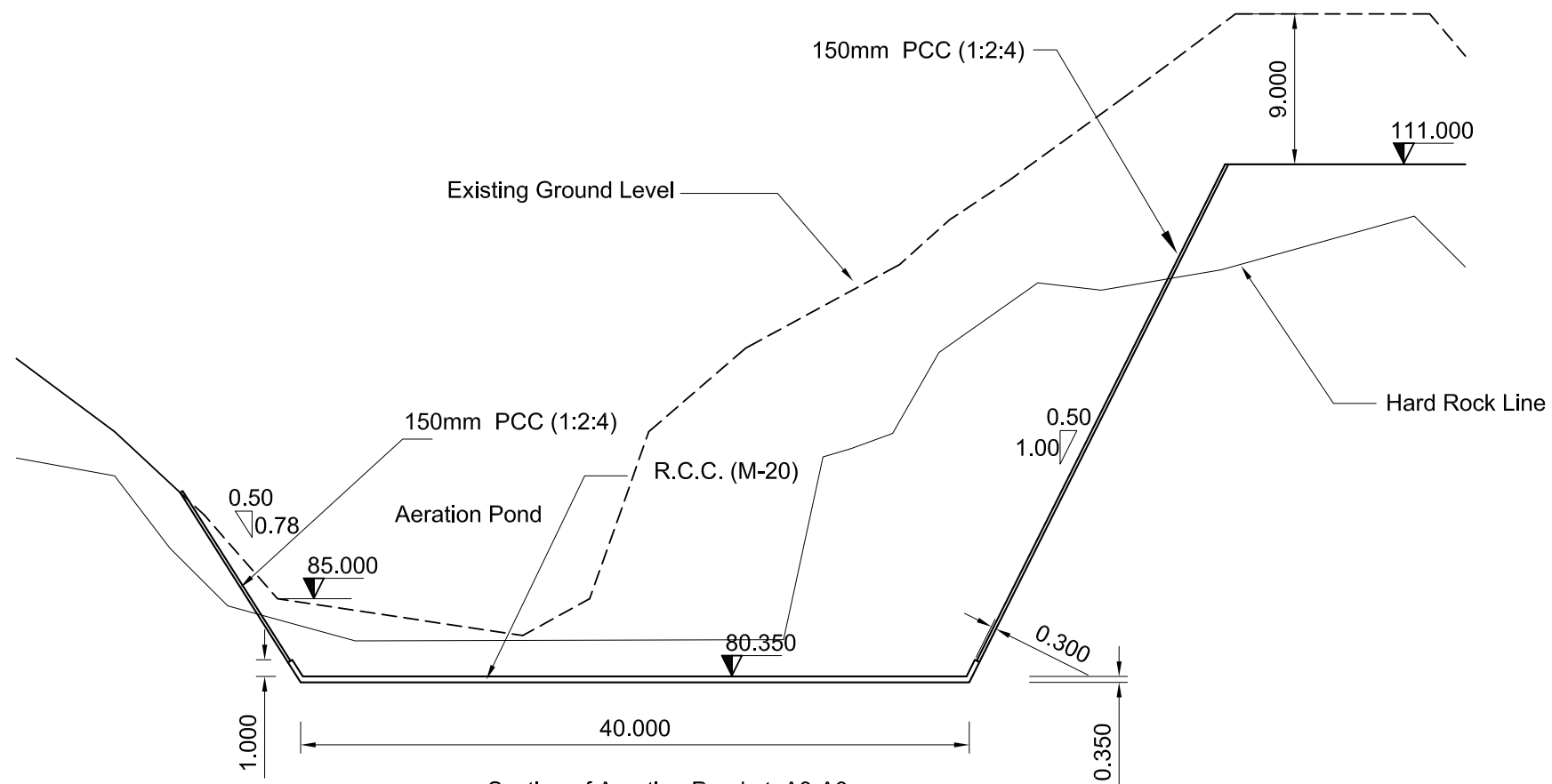
All Dimensions are in Meters.  
Scale 1 : 200

Clean Kathmandu Valley Study  
**Banchare Danda Landfill Site**  
 Japan International Cooperation Agency

**Dwg.no. 43**  
**Section A1 - A1**



Section of Aeration Pond at A2 -A2



Section of Aeration Pond at A3-A3

All Dimensions are in Meters.

Scale 1 : 400

Clean Kathmandu Valley Study  
Banchare Danda Landfill Site

Japan International Cooperation Agency

Dwg.no. 44  
Section A2 & A3