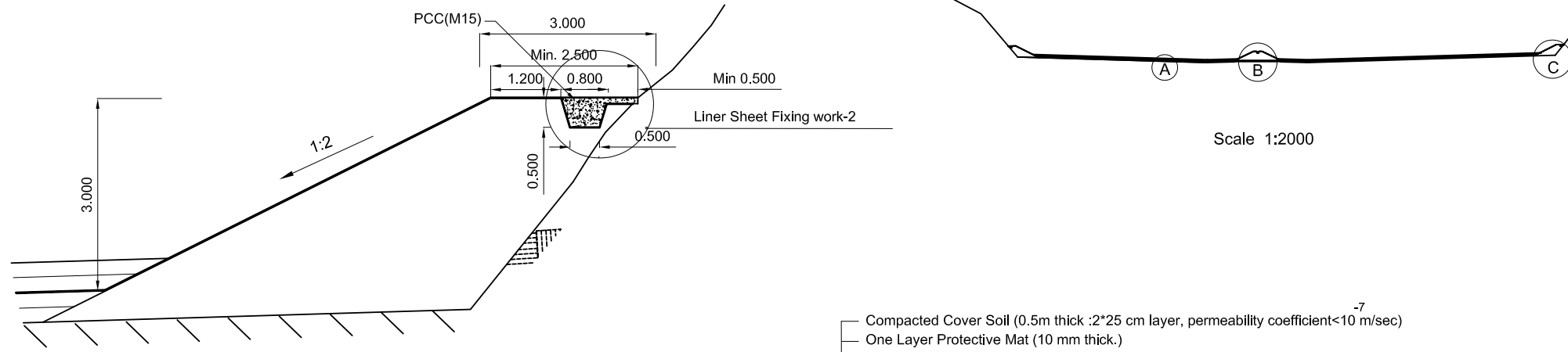
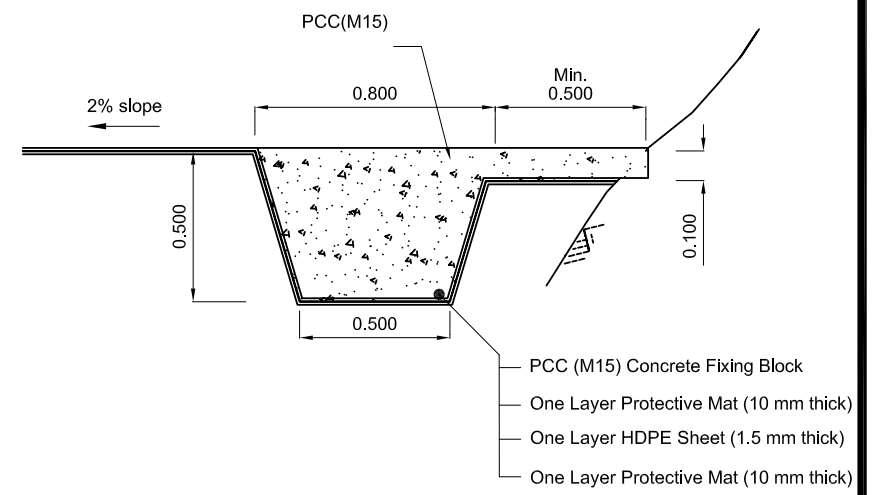


# Details of Liner System Facility



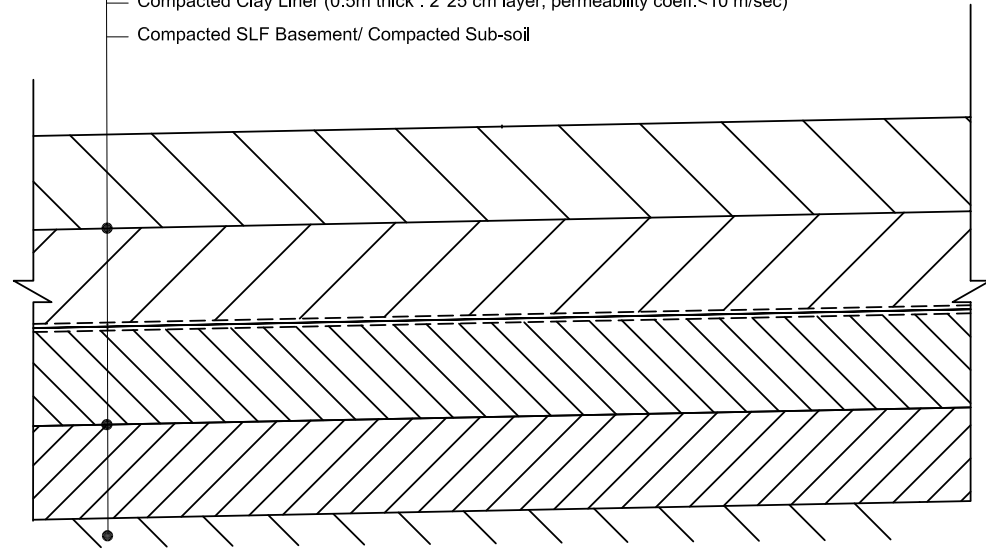
Scale 1:2000



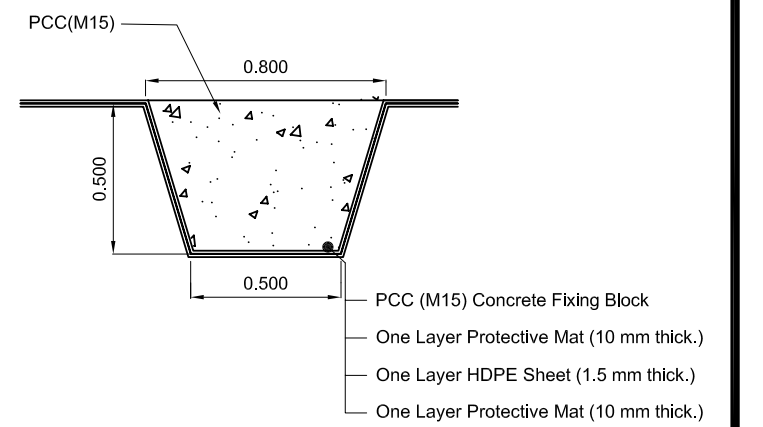
Liner Sheet Fixing Work-2  
(Scale 1:25)

Details at C  
(Scale 1:100)

- Compacted Cover Soil (0.5m thick :2\*25 cm layer, permeability coefficient <math><10^{-7}</math> m/sec)
- One Layer Protective Mat (10 mm thick.)
- One Layer HDPE Sheet (1.5 mm thick.)
- One Layer Protective Mat (10 mm thick.)
- Compacted Clay Liner (0.5m thick : 2\*25 cm layer, permeability coeff. <math><10^{-8}</math> m/sec)
- Compacted SLF Basement/ Compacted Sub-soil

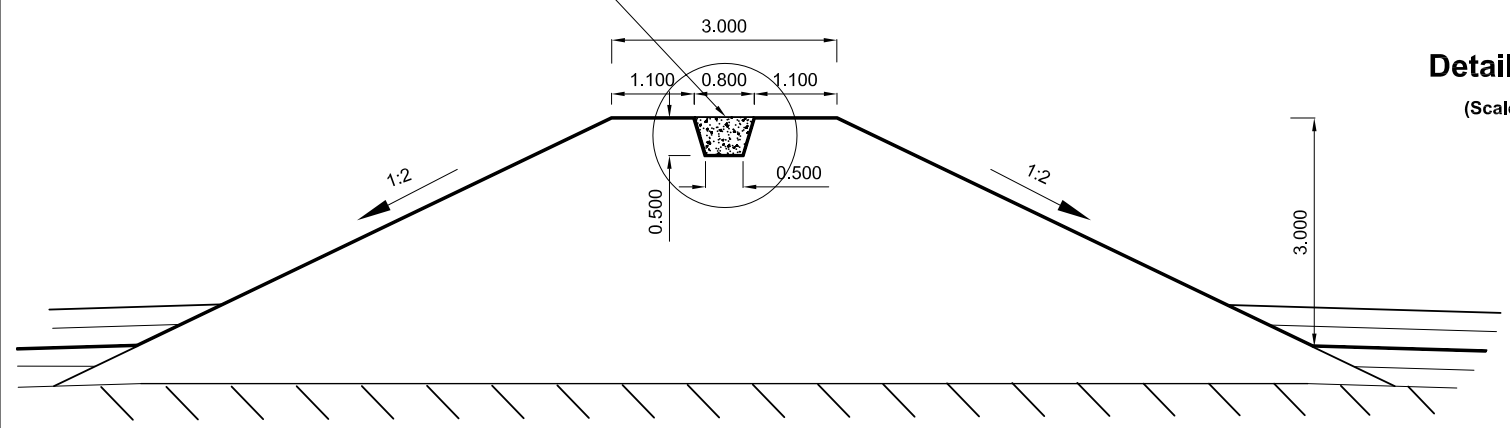


Details at A  
(Scale 1:20)



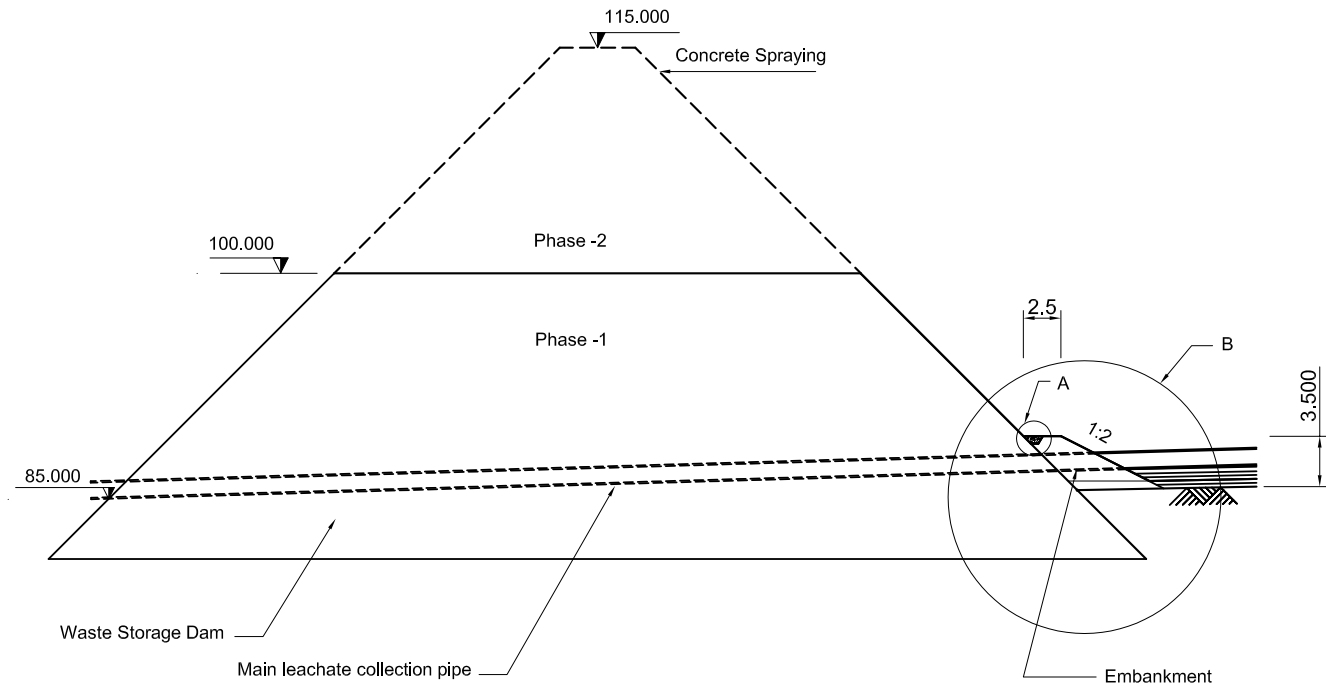
Liner Sheet Fixing Work-1  
(Scale 1:25)

Liner Sheet Fixing Work-1

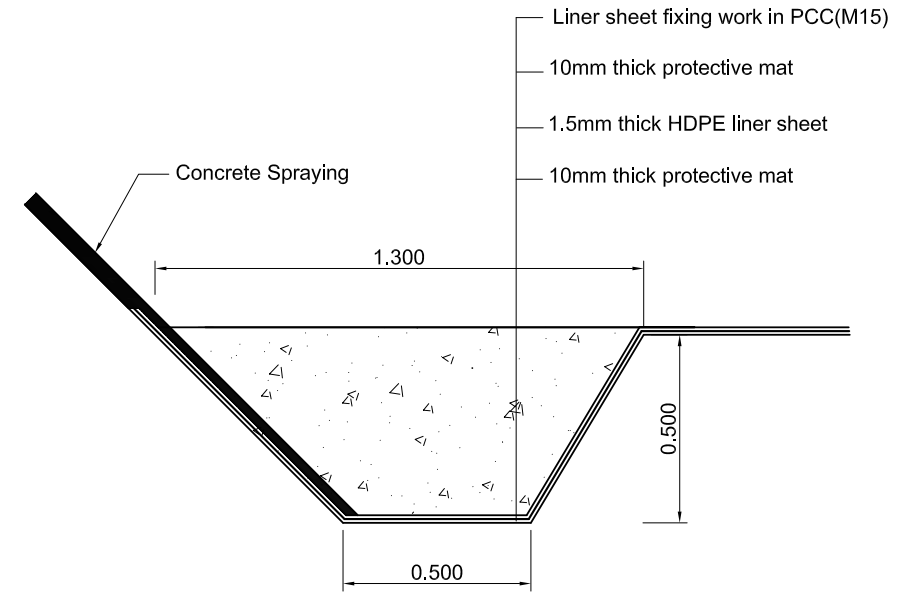


Detail at B  
(Scale 1:100)

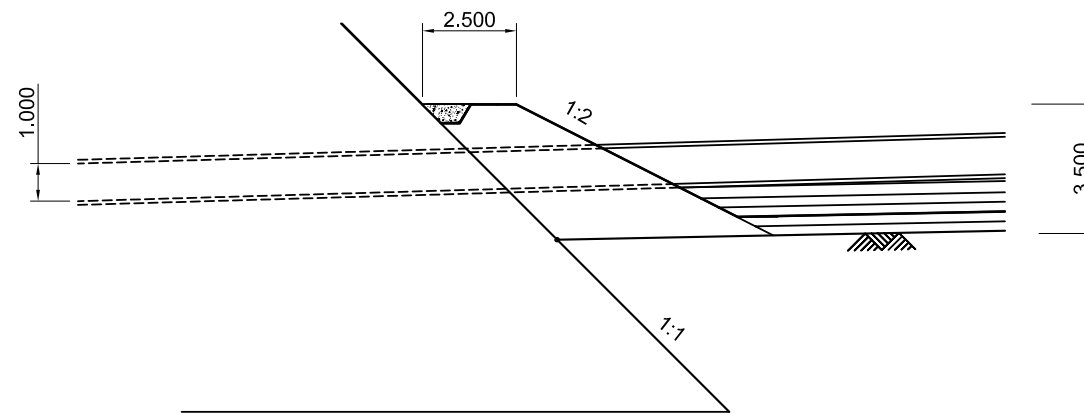
Note: All Dimensions are in Meters.



Sealing at the foot of Waste Storage Dam  
(integrated construction)  
(Scale 1:500)



Detail at A  
(Scale 1:20)



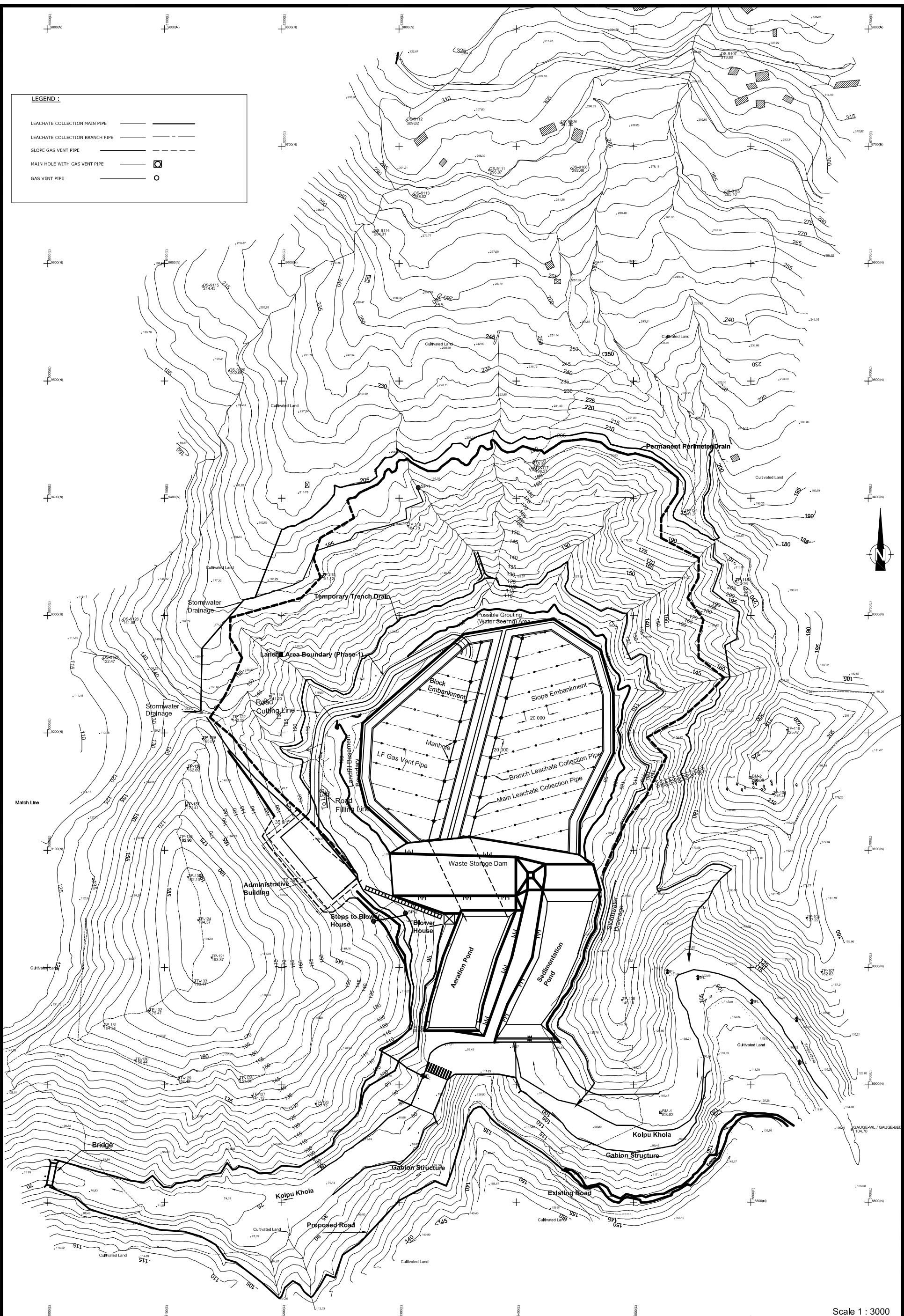
Detail at B  
(Scale 1:20)

Note : All Dimensions are in Meters.

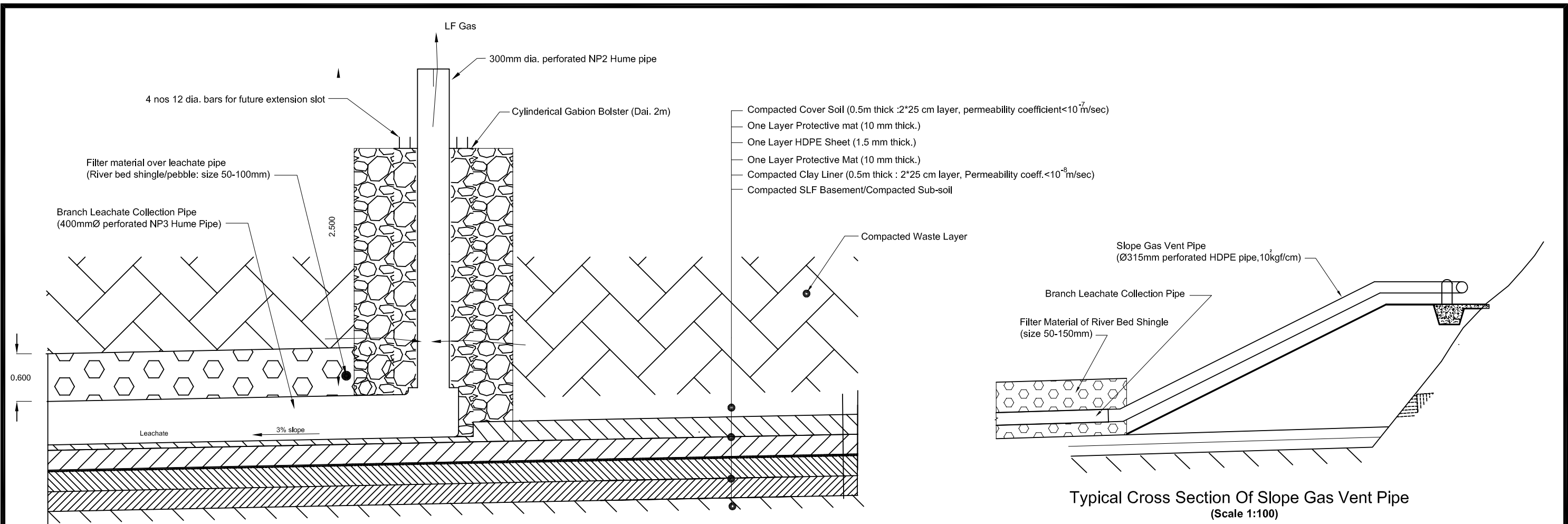
Clean Kathmandu Valley Study  
Banchare Danda Landfill Site

Japan International Cooperation Agency

**Dwg.no. 34**  
**Detail of Horizontal Liner at**  
**Waste Storage Dam**

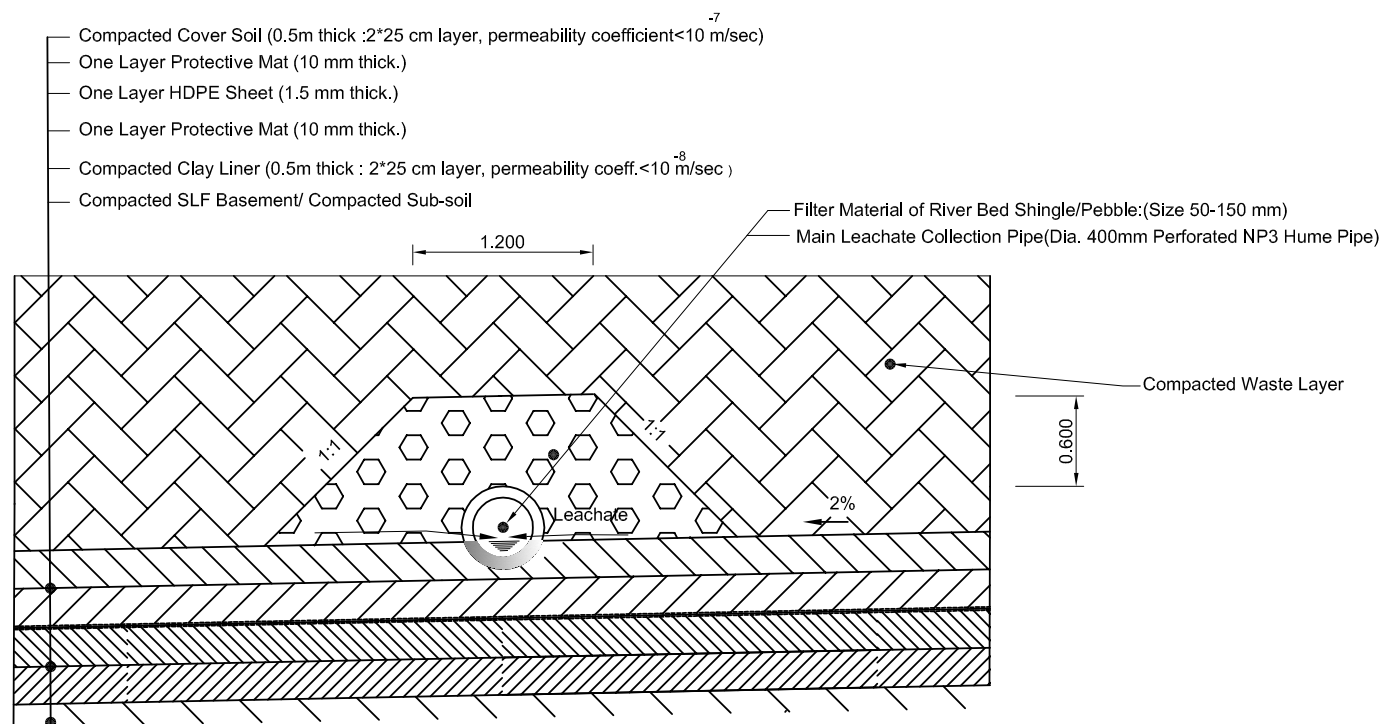


Scale 1 : 3000

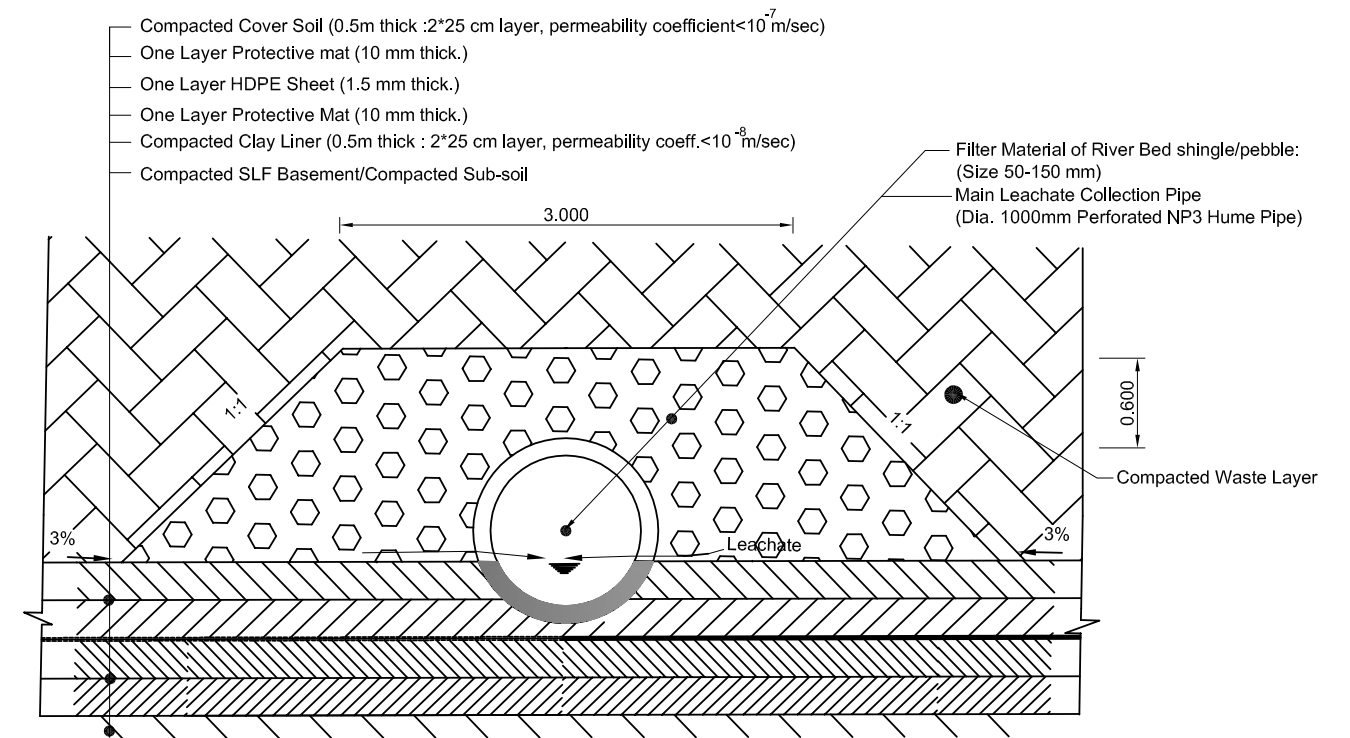


Typical Cross-Section of Gas Vent System over Branch Leachate Pipe  
(Scale 1:50)

Typical Cross Section Of Slope Gas Vent Pipe  
(Scale 1:100)



Typical Cross-Section: Branch Leachate Collection Pipe  
(Scale 1:50)



Typical Cross-Section: Main Leachate Collection Pipe  
(Scale 1:50)

Note: All Dimensions are in Meters.

Clean Kathmandu Valley Study  
Banchare Danda Landfill Site

Japan International Cooperation Agency

Dwg.no. 36  
Detail of Lechate Collection Pipe  
and Gas Vent Facility-1