

Appendix

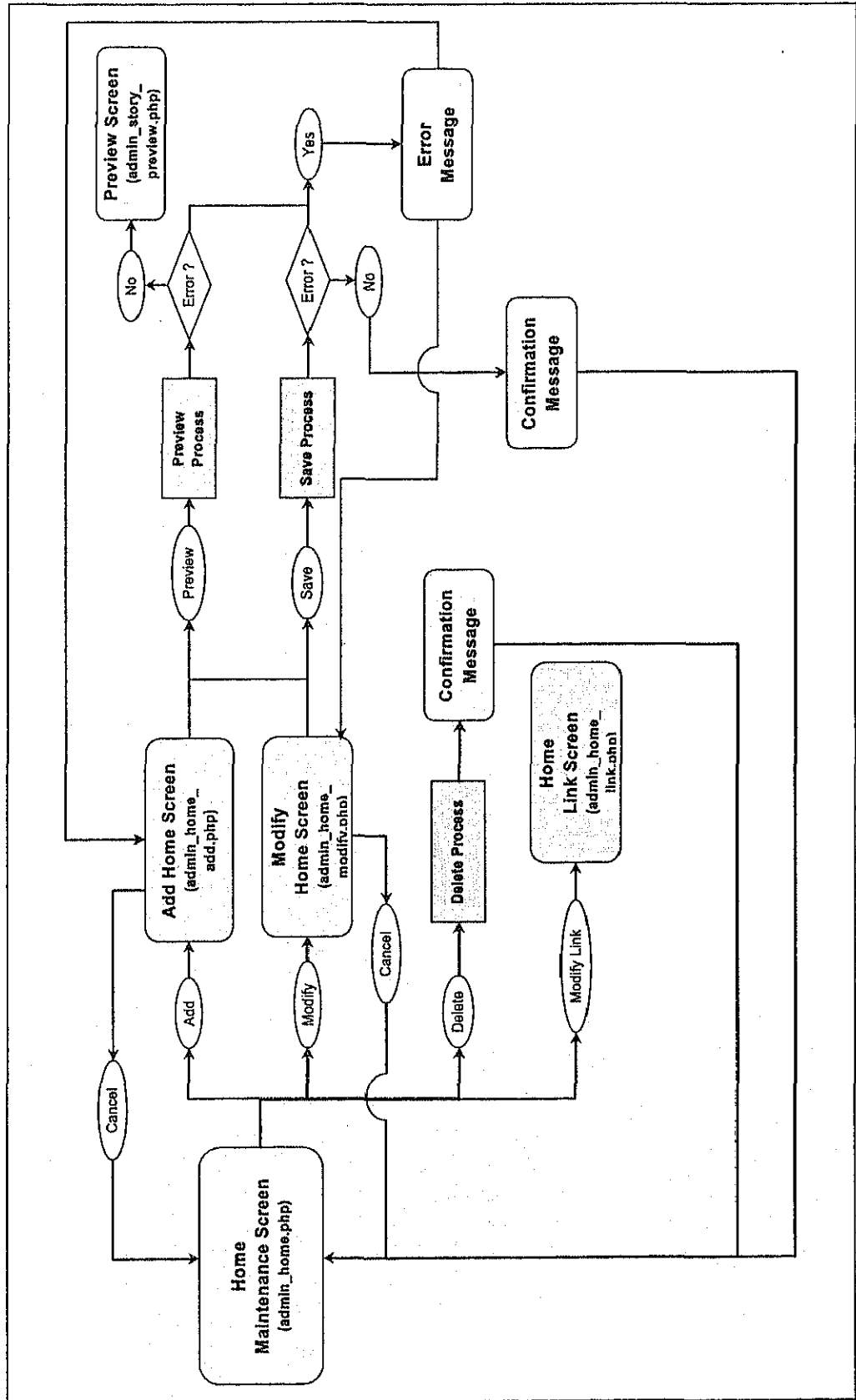
Appendix I Maintenance Flow and Logic

Appendix II Contents of Investment Gateway

Appendix I Maintenance Flow and Logic

Appendix I Maintenance Flow and Logic

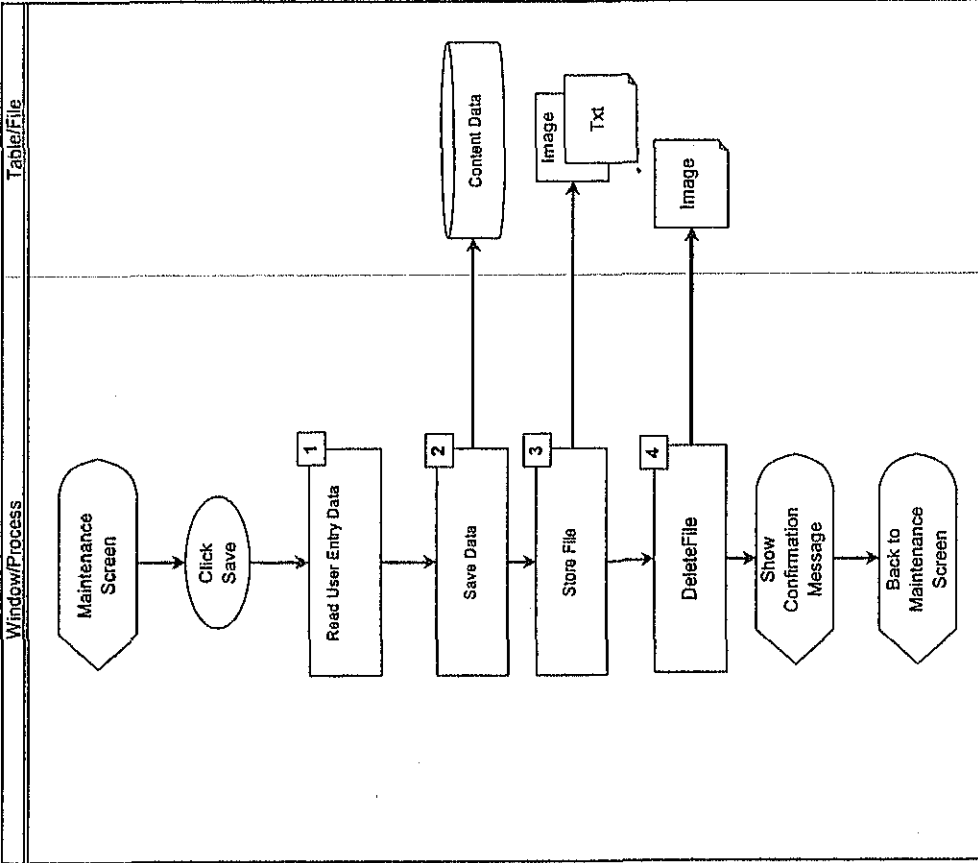
Program Design				Created on	Created by	Updated on	Updated by	Page
4.1. Home Maintenance				31/08/2006	AR			17/70



Program Design
4.1. Home Maintenance

Created on	Created by	Updated on	Updated by	Page
31/08/2006	AR			18/70

1.a. ADD PROCESS



1.b. DESCRIPTION

1. Read User Entry Data
 User Entry Data are:
 Title
 Story/Description
 Content File
 Content Image
 Show Error Message if Title is left blank.
 Show Error Message if one of Content File or Story is left blank
 Content File should have extension *.txt, otherwise error message will be displayed
 Show Error Message if content image is not in allowed type.
 The allowed image file to be updated is only jpg, gif or png.
 Show Error Message if image size is more than 50 kB
 Sequence No will be generated automatically by system, with rule:
 Sequence No = max Sequence No + 1 (for each type)
 The Sequence No will be started by 1 for each content type.
 The list of story will be sorted descendingly, but only for Seq No = 0, that is Welcome Indonesia will be displayed in first row

Program Design				
4.1. Home Maintenance				
	Created on	Created by	Updated on	Updated by
	31/08/2006	AR		
				Page 19/70

2. Save the Data into Database
 When user in add mode
 Save the Data into table TB_Content

 The field type will be filled by character "n" automatically

 If user fill both story/description and content file, the content file will be neglected, and story/description in the text area will be saved into database.

 If user only fill content file without fill story/description, the content of content file will be read and saved into database.

 When input for description, HTML tag will be disabled. <Enter> will be recognized and displayed in preview and home content story screen.
3. Store the image File

 Store the image File in the following folder

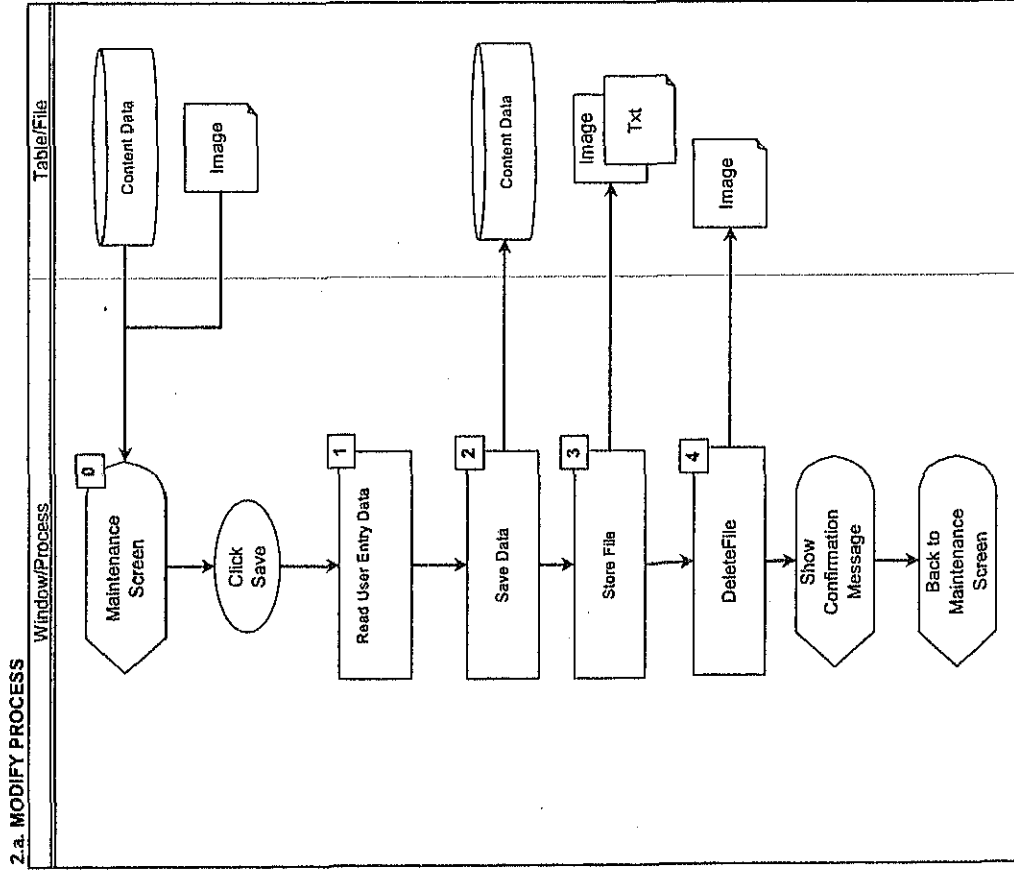
 The file is stored in two place :
 live directory: /file/content/
 backup directory: /file/content/backup/

 File will be saved with format:
 filename_YYYYMMDDHHMMSS

 If user input story/description using content file, the content file (txt) will be saved in folder:
 /file/content/backup/
4. If there is file with same name in the folder: /file/temp , then the delete the file in that folder.
5. Show Confirmation Message if data can be stored successfully

Program Design
4.1. Home Maintenance

Created on	31/08/2006	Created by	AR	Updated on		Updated by		Page	20/70
------------	------------	------------	----	------------	--	------------	--	------	-------



2.b. DESCRIPTION

0 Retrieve Data

Retrieve Data from database based on Sequence No.
Retrieve image file from folder : file/content/

1. Read User Entry Data

User Entry Data are:
Title
Story/Description
Content File
Content Image
Sequence No (editable)

Show Error Message if Title is left blank.

Show Error Message if one of Content File or Story is left blank

Content File should have extension *.txt, otherwise error message will be displayed

Show Error Message if content image is not in allowed type.
The allowed image file to be updated is only jpg, gif or png.

Show Error Message if image size is more than 50 kB

The list of story will be sorted descending, but only for Seq No = 1, that is Welcome Indonesia will be displayed in first row

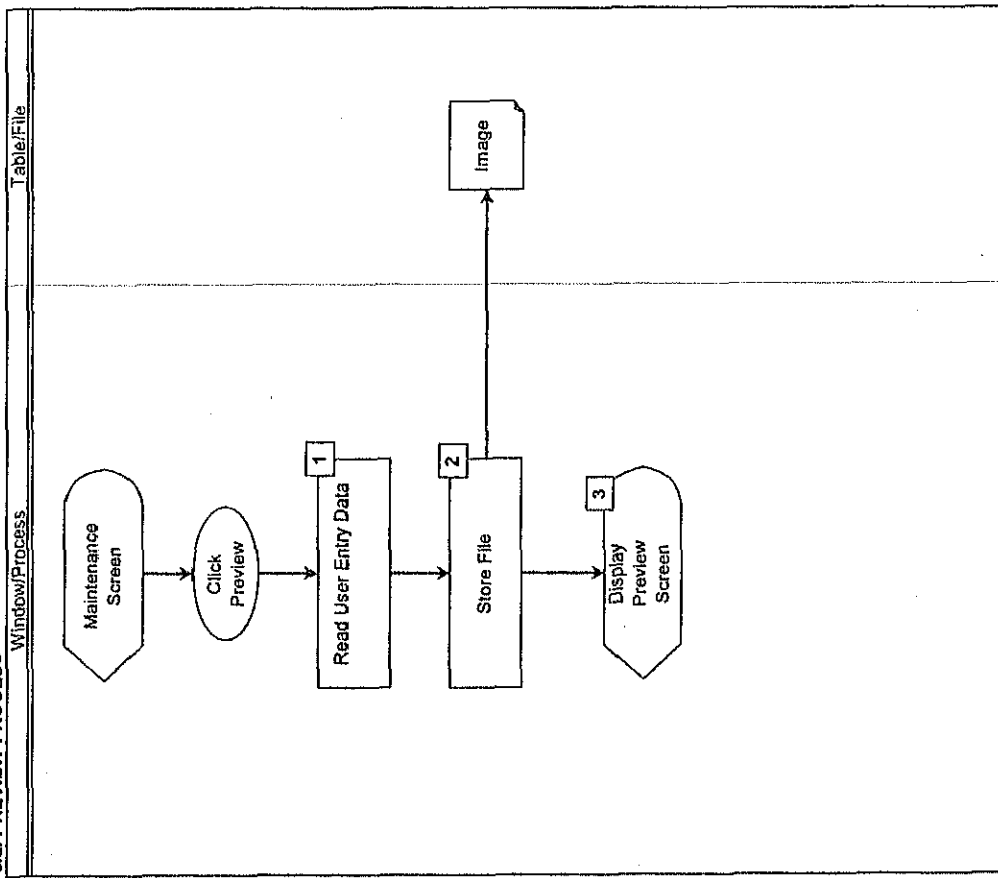
When modify existing story, user can edit the Sequence No with rule:
modify Sequence No to greater number
before No Title after No Title
xx A Story to modify xx
xx-1 B yy+2 F
yy+1 F yy G
yy G Story to modify yy F G A

Program Design				Updated by	Page
4.1. Home Maintenance				Updated on	2/170
		Created on	Created by	Updated on	Updated by
		31/08/2006	AR		
<p>2. Save the Data into Database</p> <p>When user in modify mode Update the Data in the table TB_Content</p> <p>The field type will be filled by character "n" automatically</p> <p>If user fill both story/description and content file, the content file will be neglected, and story/description in the text area will be saved into database.</p> <p>If user only fill content file without fill story/description, the content of content file will be read and saved into database.</p> <p>When input for description, HTML tag will be disabled. <Enter> will be recognized and displayed in preview and home content story screen.</p> <p>3. Store the image File</p> <p>Store the image File in the following folder</p> <p>The file is stored in two place :</p> <p>live directory: /file/content/ backup directory: /file/content/backup/</p> <p>File will be saved with format: filename_YYYYMMDDHHMMSS</p> <p>If user input story/description using content file, the content file (txt) will be saved in folder: /file/content/backup/</p> <p>4. If there is file with same name in the folder: /file/temp , then the delete the file in that folder.</p> <p>5. Show Confirmation Message if data can be stored successfully</p>					

Program Design
4.1. Home Maintenance

Created on	Created by	Updated on	Updated by	Page
31/08/2006	AR			22/70

3.a. PREVIEW PROCESS



3.b. DESCRIPTION

1. Read User Entry Data

User Entry Data are:

 - Title
 - Story/Description
 - Content File
 - Content Image
 - Sequence No (only editable when modify story)

Show Error Message if Title is left blank.

Show Error Message if one of Content File or Story is left blank

Content File should have extension *.txt, otherwise error message will be displayed

Show Error Message if content image is not in allowed type. The allowed image file to be updated is only jpg, gif or png.

Show Error Message if image size is more than 50 kB

Sequence No will not be processed in the preview process.
2. Store the image File with the Following Name:

Store the image File in the following folder

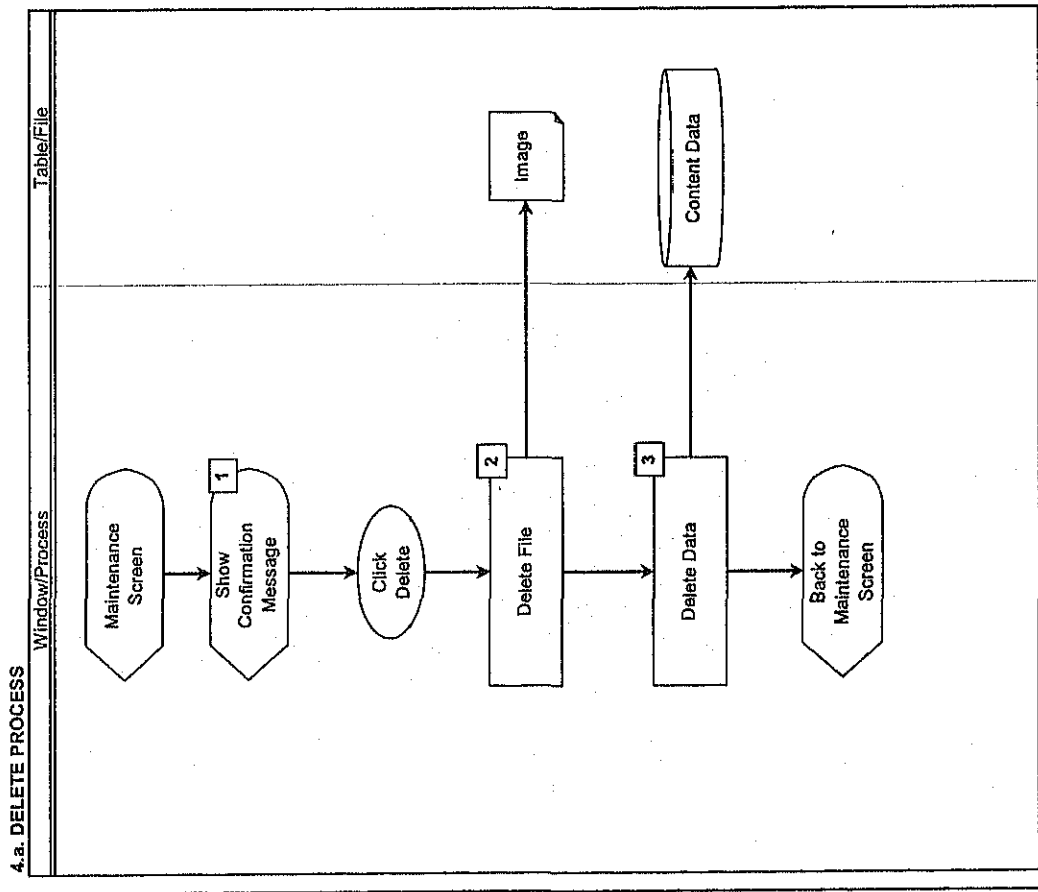
/file/temp
3. Display Preview Screen (new window)

Display Preview Screen based on data from user entry field. Nothing to do with database. The image is retrieved from folder: /file/temp

If user fill both story/description and content file, the content file will be neglected, and story/description in the text area will be displayed in preview screen.

If user only fill content file without fill story/description, the content of content file will be read and displayed in preview screen.

When input for description, HTML tag will be disabled. <Enter> will be recognized and displayed in preview screen.

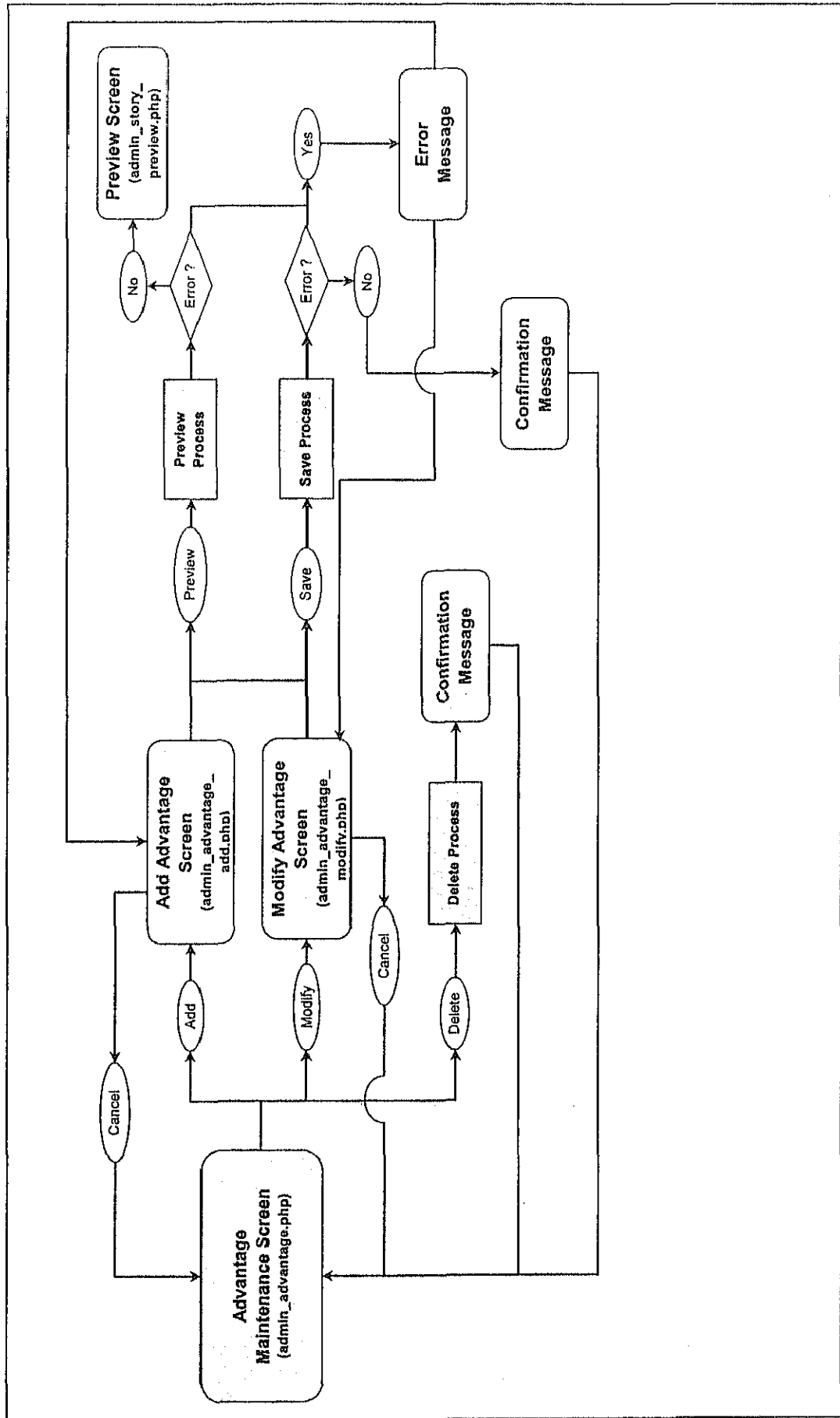


4.b. DESCRIPTION

1. Show Confirmation Message before delete process is performed.
2. Delete Image File from live directory
live directory: /file/content/
3. Delete Data from Database
Delete data from table TB_Content
The data to be deleted has Sequence No as criteria

Program Design
4.2. Advantage Maintenance

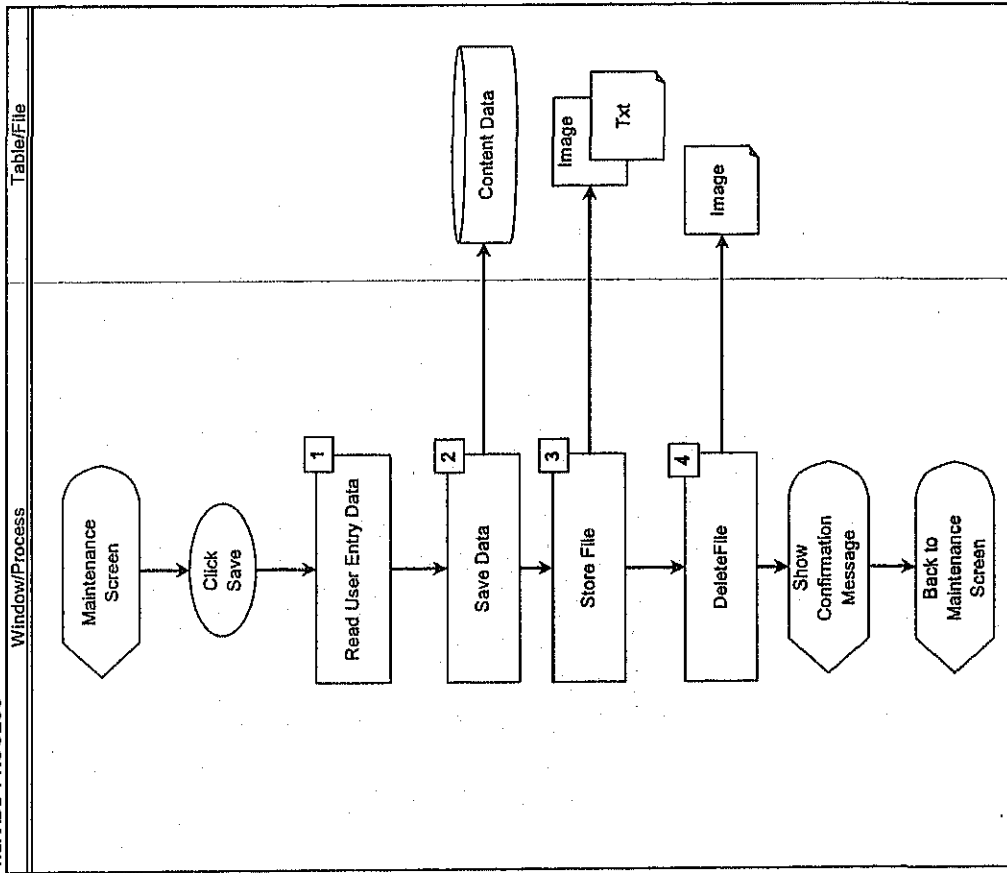
Created on	Created by	Updated on	Updated by	Page
31/05/2006	AR			24/70



Program Design
4.2. Advantage Maintenance

Created on	Created by	Updated on	Updated by	Page
31/08/2006	AR			25/70

1.a. ADD PROCESS



1.b. DESCRIPTION

1. Read User Entry Data
 User Entry Data are:
 Title
 Story/Description
 Content File
 Content Image
 Show Error Message if Title is left blank.
 Show Error Message if one of Content File or Story is left blank
 Content File should have extension *.txt, otherwise error message will be displayed
 Show Error Message if content image is not in allowed type.
 The allowed image file to be updated is only jpg, gif or png.
 Show Error Message if image size is more than 50 kB
 Sequence No will be generated automatically by system, with rule:
 Sequence No = max Sequence No + 1 (for each type)
 The Sequence No will be started by 1 for each content type.
 The list of story will be sorted descendingly.

Program Design				
4.2. Advantage Maintenance				
	Created on	Created by	Updated on	Updated by
	31/08/2006	AR		
				Page 26/70

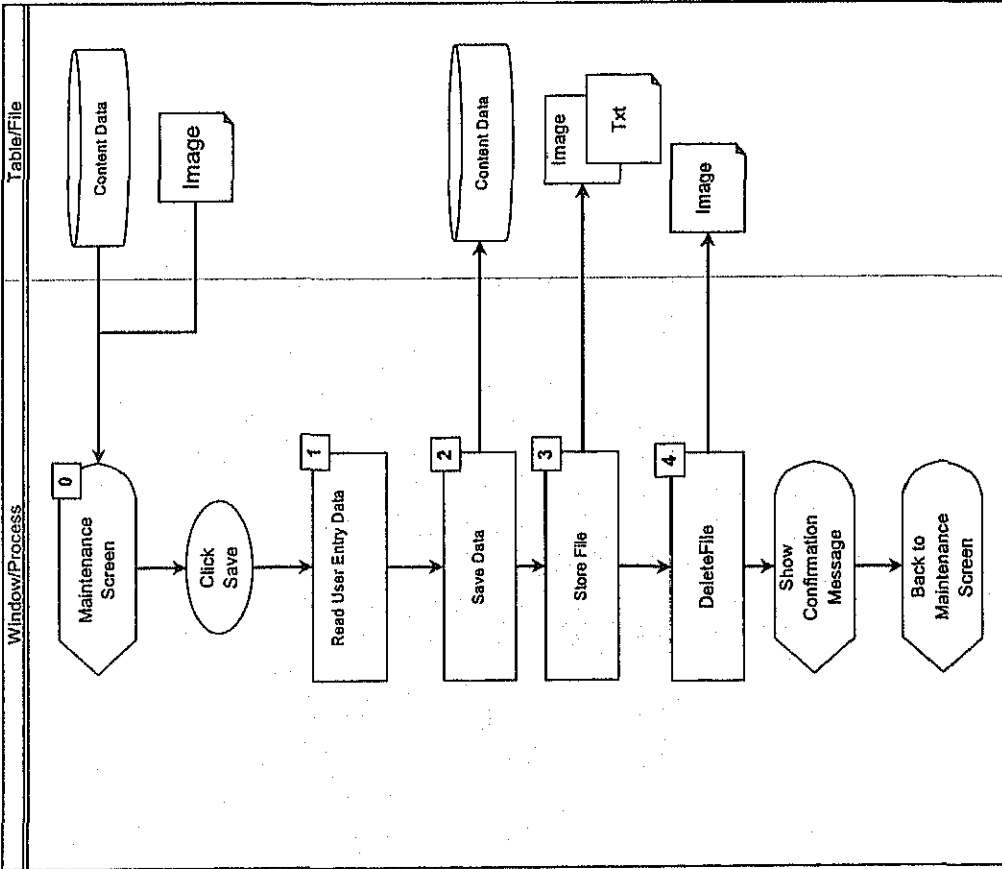
<p>2. Save the Data into Database When user in add mode Save the Data into table TB_Content</p> <p>The field type will be filled by character "a" automatically</p> <p>If user fill both story/description and content file, the content file will be neglected, and story/description in the text area will be saved into database.</p> <p>If user only fill content file without fill story/description, the content of content file will be read and saved into database.</p> <p>When input for description, HTML tag will be disabled. <Enter> will be recognized and displayed in preview and advantage story screen.</p> <p>3 Store the image File</p> <p>Store the image File in the following folder</p> <p>The file is stored in two place :</p> <p>live directory: /file/content/ backup directory: /file/content/backup/</p> <p>File will be saved with format: filename_YYYYMMDDHHMMSS</p> <p>If user input story/description using content file, the content file (txt) will be saved in folder: /file/content/backup/</p> <p>4. If there is file with same name in the folder: /file/temp , then the delete the file in that folder.</p> <p>5. Show Confirmation Message if data can be stored successfully</p>	
---	--

Program Design

4.2. Advantage Maintenance

Created on	Created by	Updated on	Updated by	Page
31/08/2006	AR			27/70

2.a. MODIFY PROCESS



2.b. DESCRIPTION

0 Retrieve Data

Retrieve Data from database based on Sequence No
 Retrieve image file from /file/content/ folder

1. Read User Entry Data

User Entry Data are:

- Title
- Story/Description
- Content File
- Content Image
- Sequence No (editable)

Show Error Message if Title is left blank.

Show Error Message if one of Content File or Story is left blank

Content File should have extension *.txt, otherwise error message will be displayed

Show Error Message if content image is not in allowed type.
 The allowed image file to be updated is only jpg, gif or png.

Show Error Message if image size is more than 50 kB

The list of story will be sorted descendingly.

When modify existing story, user can edit the Sequence No with rule:

before	No	Title	after	No	Title
xx	A	B	xx	A	B
xx-1	B	A	xx-1	B	A
.
yy+1	F	G	yy	F	G
yy	G	F	yy	G	F

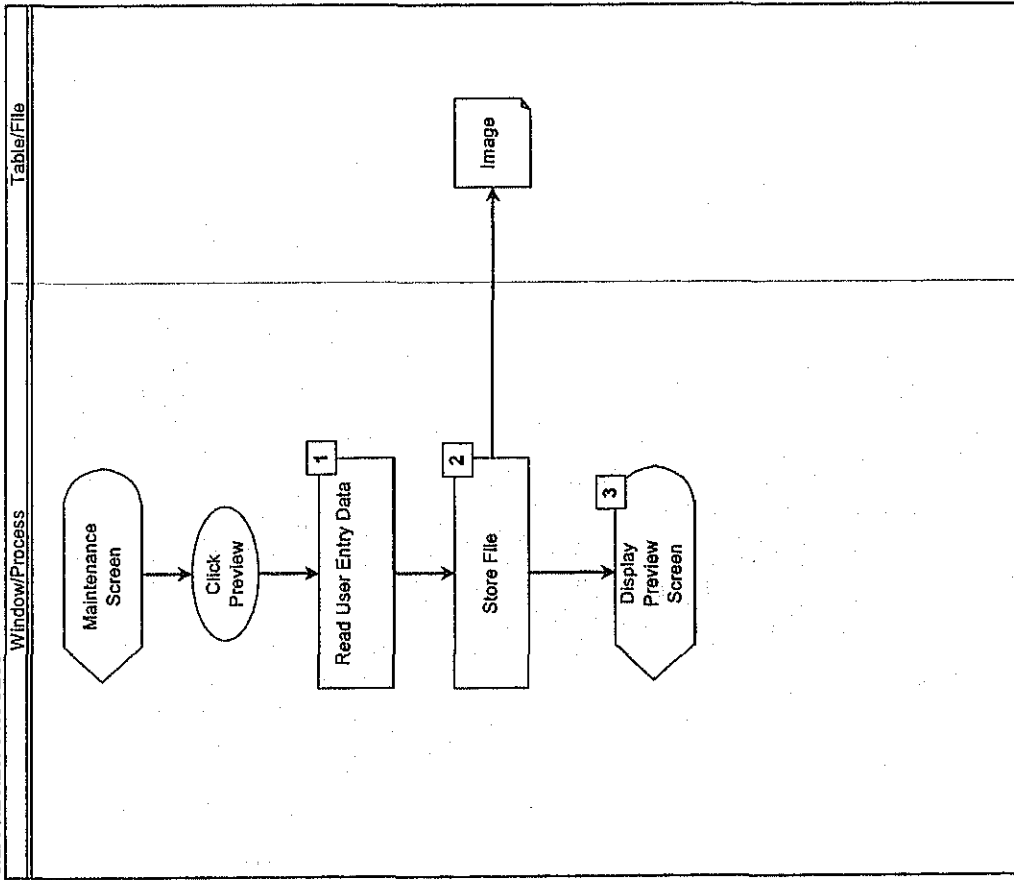
modify Sequence No to greater number modify Sequence No to lower number

	Program Design	Created on	Created by	Updated on	Updated by	Page
	<p align="center">4.2. Advantage Maintenance</p>	31/08/2006	AR			28/70
<p>2. Save the Data into Database</p> <p>When user in modify mode Update the Data in the table TB_Content</p> <p>The field type will be filled by character "a" automatically</p> <p>If user fill both story/description and content file, the content file will be neglected, and story/description in the text area will be saved into database.</p> <p>If user only fill content file without fill story/description, the content of content file will be read and saved into database.</p> <p>When input for description, HTML tag will be disabled. <Enter> will be recognized and displayed in preview and advantage story screen.</p>	<p>3. Store the image File</p> <p>Store the image File in the following folder</p> <p>The file is stored in two place :</p> <p>live directory: /file/content/ backup directory: /file/content/backup/</p> <p>File will be saved with format: filename_YYMMDDHHMMSS</p> <p>If user input story/description using content file, the content file (txt) will be saved in folder: /file/content/backup/</p>	<p>4. If there is file with same name in the folder: /file/temp , then the delete the file in that folder.</p>	<p>5. Show Confirmation Message if data can be stored successfully</p>			

Program Design
4.2. Advantage Maintenance

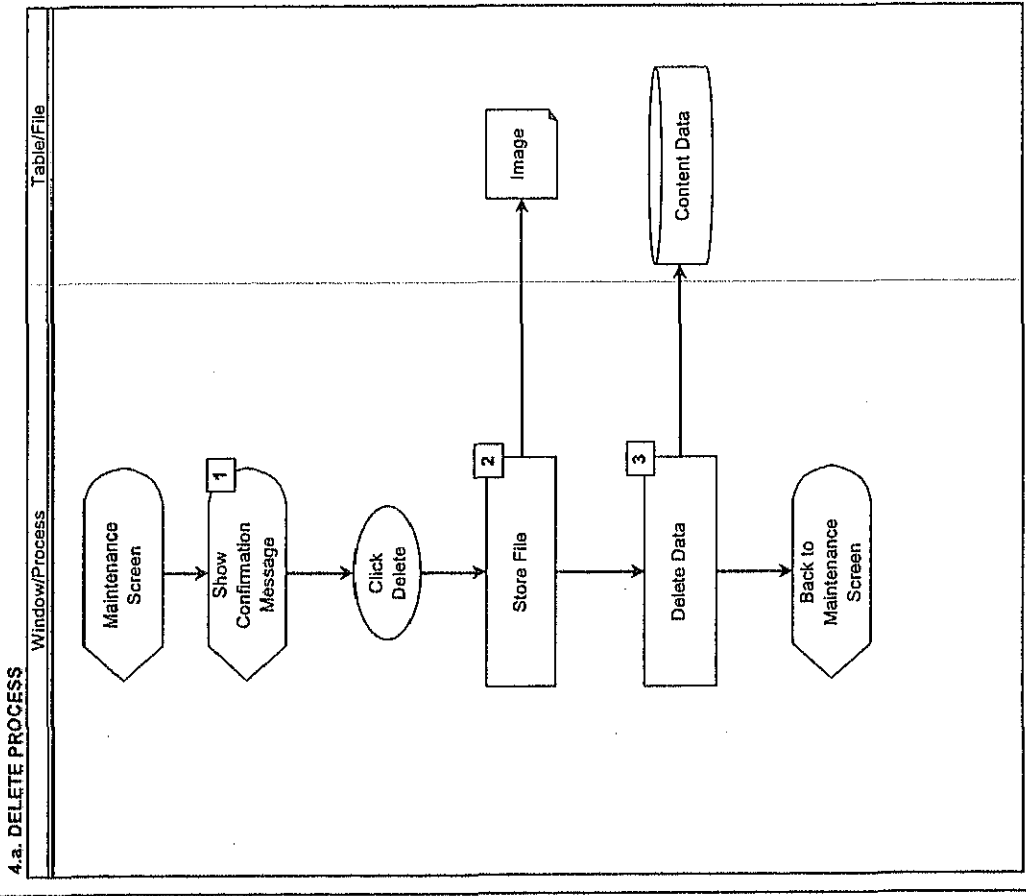
Created on	Created by	Updated on	Updated by	Page
31/08/2006	AR			29/70

3.a. PREVIEW PROCESS



3.b. DESCRIPTION

1. Read User Entry Data
 User Entry Data are:
 Title
 Story/Description
 Content File
 Content Image
 Sequence No (only editable when modify story)
 Show Error Message if Title is left blank
 Show Error Message if one of Content File or Story is left blank
 Content File should have extension *.txt, otherwise error message will be displayed
 Show Error Message if content image is not in allowed type.
 The allowed image file to be updated is only jpg, gif or png.
 Show Error Message if image size is more than 50 KB
 Sequence No will not be processed in the preview process.
2. Store the image File with the Following Name:
 Store the image File in the following folder
 /file/temp
3. Display Preview Screen (new window)
 Display Preview Screen based on data from user entry field. Nothing to do with database.
 The image is retrieved from folder: /file/temp
 if user fill both story/description and content file, the content file will be neglected, and story/description in the text area will be displayed in preview screen.
 if user only fill content file without fill story/description, the content of content file will be read and displayed in preview screen.
 When input for description, HTML tag will be disabled. <Enter> will be recognized and displayed in preview screen.



4.b. DESCRIPTION

1. Show Confirmation Message before delete process is performed.
2. Delete Image File from live directory
live directory: /file/content/
3. Delete Data from Database
Delete data from table TB_Content
The data to be deleted has Sequence No as criteria

Appendix II Contents of Investment Gateway

Appendix II Contents of Investment Gateway

The screenshot displays the 'Investment Gateway' website. At the top left is a 'Home' button. Below it is the BKPM logo. The main header features the text 'INVESTMENT GATEWAY' and 'Indonesia - Investment Coordinating Board'. A navigation menu on the left lists: 'Welcome to Indonesia', 'Home', 'Advantage', 'Success Story', 'Investment Procedure', 'Law and Regulation', and 'Search Law and Reg'. The main content area is titled 'Investment promotion section' and contains a 'Welcome to Indonesia' article with a date of '12-Dec-2006 17:26'. The article text reads: 'We at the Investment Coordinating Board (Badan Koordinasi Penanaman Modal or BKPM) recognise the significance of direct investment to sustain Indonesia's economic momentum. We are committed to continuously work with various stakeholders in Indonesia and abroad to enhance the investment climate in the country. The Indonesian economy has demonstrated its resilience since the Asian financial crisis. The economy expanded by 5.3% during... (more)'. Below this is a section titled 'Indonesian President on Japan Visit' with a date of 'November 27, 2006 (Tokyo)'. The text states: 'Visiting Indonesian President Susilo Bambang Yudhoyono is set to sign off on the framework for a free trade pact with Japan. Under the expected deal, Indonesia will send workers, particularly nurses, to Japan, the world's second largest economy. In turn, Japan wants Indonesia's assistance in supplying natural gas, in pressuring North Korea to halt its nuclear programme, and also over Pyongyang's... (more)'. To the right of the main content is a sidebar with logos for 'LINKS', 'BKPM', and 'jica'. At the bottom right, there is a 'Prev | Next' link and a footer with the text: 'About BKPM | Contact Us | Links | Site Map | Copyright © 2006 BKPM. Developed by: [www.gorilla](#)'. A 'Get Adobe Reader' button is also present.

Front Page of the "Advantage"

Advantage



INVESTMENT GATEWAY



Welcome to Indonesia

- Home
- Advantage
- Success Story
- Investment Procedures
- Law and Regulation
- Search Law and Reg.

Indonesian Advantage You Can Pride

Shipping Industry in East Java Province

General Information

As a marine country, Indonesia needs supporting boats for sailing and controlling Indonesian waters. Indonesia also needs more boats for carrying people and transporting goods among the islands.

In the future, fibreglass boats probably will be a competitive alternative to substitute the wooden boat or to become an express water transportation facilities in the big rivers, lakes and sea in Java, Sumatera, Sulawesi... (more)



Rubber Processing Industry in Northern Sumatera Province

Market Opportunity

Natural Rubber Production. The increase of Indonesian Natural Rubber production has been more, dominated by the acreage enlargement and productivity increase through "Populer Kemal Undersaking" or PIR (perkebunan Inti Rakyat), the "Project Executive Unit" or UPR (Unit Pelaksanaan Proyek), the "popular Rubber Development Project" or PPKR (Proyek Pengembangan Karet Rakyat), and partial pattern... (more)



Prev | Next



Copyright © 2005 BKPM. All rights reserved.

About BKPM | Contact Us | Links | Site Map
Copyright © 2005 BKPM. Developed by BasisGrafi

Success Story



Welcome to Indonesia

Home

Advantage

Success Story

Investment Procedure

Law and Regulation

Search Law and Reg.

Front page of the "Success Story"

INVESTMENT GATEWAY

Investment Success Story

Indonesian pearl shell goes to world fashion market

"We are looking at world fashion market" says Mr. Fumimura, President Director of PT. Daiwa Agung Internasional (DAI). DAI was established in December, 1991 at Makassar Industrial Estate (KIMA) as a subsidiary of Daiwa Shell Co., Ltd. Osaka, Japan to produce every kind of shell buttons for shirts and blouses. Their beautiful shell buttons are produced from Indonesian pearl shells, which are mostly originated in the eastern part of Indonesia... (more)



Indonesia is playing an important role in promoting global strategic diversification of a production base for the Japanese leading stationery manufacturer

King Jim is known as the manufacturer of "KING FILE", top brand of pipe-type files used throughout offices in Japan, together with as many as 800 types of filing products, that are widely used. PT. King Jim Indonesia (KJI), was established in July 1996 as a subsidiary of King Jim Co. Ltd., Tokyo, Japan as one of the King Jim's overseas production base in order to implement the company's global strategic plan for diversification... (more)



Prev | Next

See next page



Best viewed with Internet Explorer 6.0

About BKPM | Contact Us | Link | Site Map
Copyright © 2005 BKPM. Developed by Oasysgrafika



INVESTMENT GATEWAY



Welcome to Indonesia

- Home
- Advantage
- Success Story
- Investment Procedures
- Law and Regulation
- Search Law and Reg.

Indonesia is playing an important role in promoting global diversification of a production base for the Japanese leading stationery manufacturer

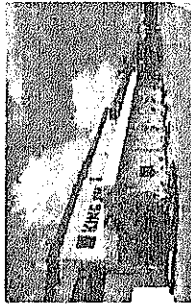
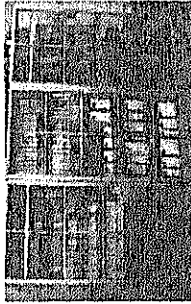
King Jim is known as the manufacturer of "KING FILE", top brand of pipe-type files used throughout offices in Japan, together with as many as 800 types of filing products, that are widely used.

PT. King Jim Indonesia (KJI), was established in July 1996 as a subsidiary of King Jim Co., Ltd., Tokyo, Japan as one of the King Jim's overseas production base in order to implement the company's global strategic plan for diversification of production.

Now, King Jim operates 3 overseas production bases in China, Malaysia and Indonesia, in addition to their factories in Japan, in order to maximize both price competitiveness and quality to satisfy their customers. All the overseas subsidiaries are closely tied to one another, under the brand power of King Jim.

Mr. M. Takano, President Director of KJI, explains that King Jim Indonesia is now producing chemical files such as "CLEAR FILE", one of the main products of King Jim at their factory in Pasuruan of East Java. Thanks to a strategic location and the ease of access to raw materials and competent work force, they have achieved their initial target of providing high quality and price competitive products earlier than expected and their production volume is steadily on the rise year by year.

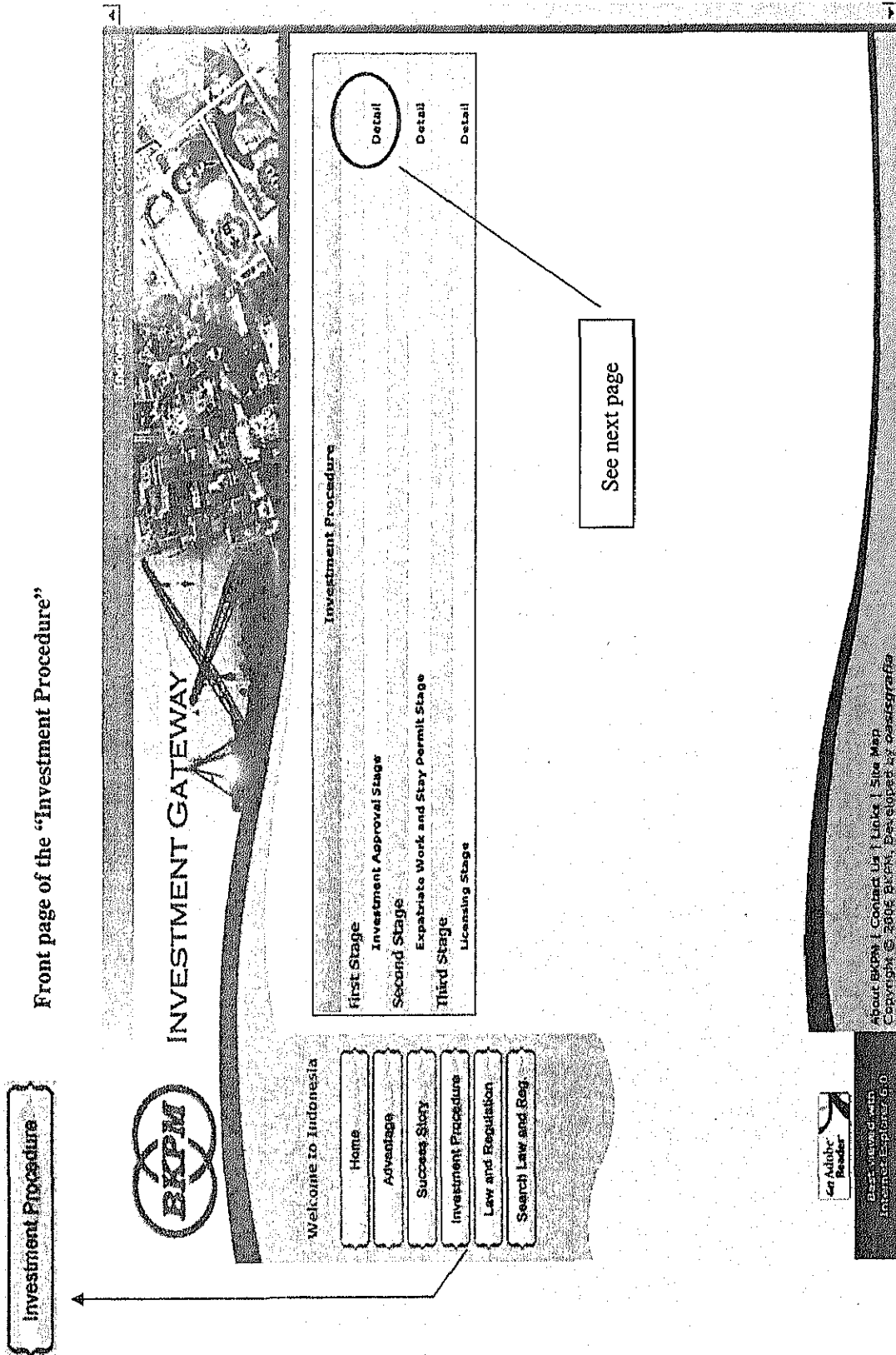
At present, most of their products are exported to Japan. King Jim Indonesia hopes to make their products available throughout the world in the future.




PT. KING JIM INDONESIA
 Jl. Rembang Industri II No.1, Kawasan Industri PIER Pasuruan 67152 East Java, Indonesia
 Tel: +62-343-740-166 • Fax: +62-343-740-155
 URL: <http://www.kingjim.co.jp>

eBack


Front page of the "Investment Procedure"



Detail of the "Investment Approval Stage"



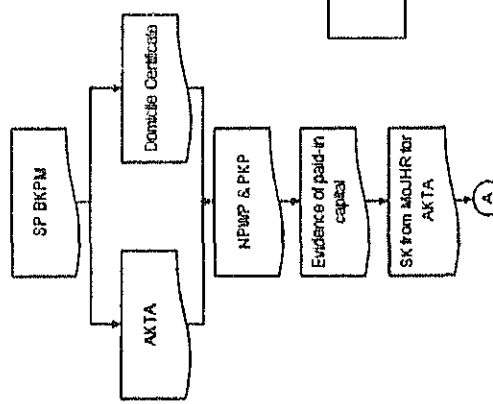
INVESTMENT GATEWAY

Next 

Welcome to Indonesia

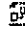
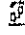
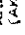
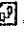
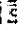
- Home
- Advantage
- Success Story
- Investment Procedure
- Law and Regulation
- Search Law and Reg.

Flow Chart




Flow Chart Description

FAQ on Investment Link

-  Investment approval from BKPM (SP/Paid)
-  Domisile Certificate and Articles of Association (AKTA)
-  NPWP, NPWP, Open Bank Account and Deposit Initial Issued Capital
-  Approval of the Articles of Association
-  Company Registration Certificate (TDP)

See next page

Details of "Investment approval from BKPM"



INVESTMENT GATEWAY

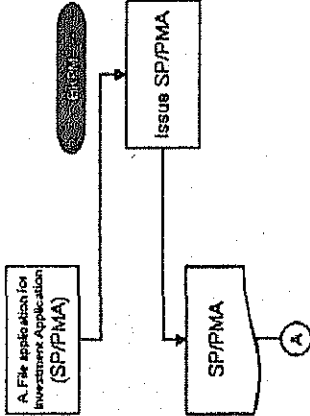
INDONESIA'S STRATEGIC INVESTMENT PROMOTION BOARD

Welcome to Indonesia

- Home
- Advantage
- Success Story
- Investment Procedures
- Law and Regulation
- Search Law and Reg.

Investment Approval Stage » Investment approval from BKPM (SP/PMA)

Flow Chart




```

graph TD
    A["A. File application for Investment Application (SP/PMA)"] --> BKPM
    BKPM --> B["Issue SP/PMA"]
    B --> C["SP/PMA (A)"]
            
```

FAQ on Investment

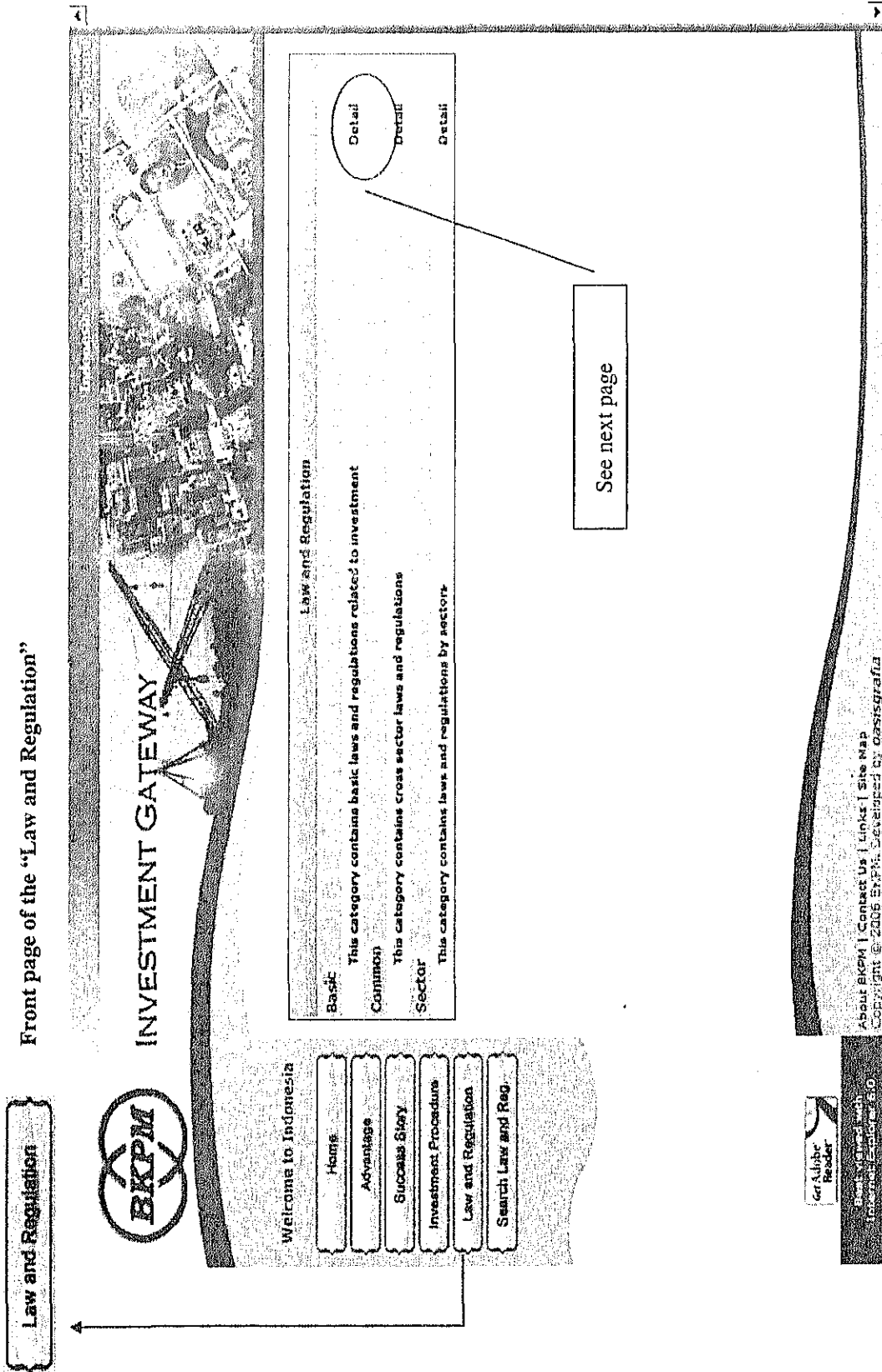
[Detail flowchart of SP/PMA](#)

Next 

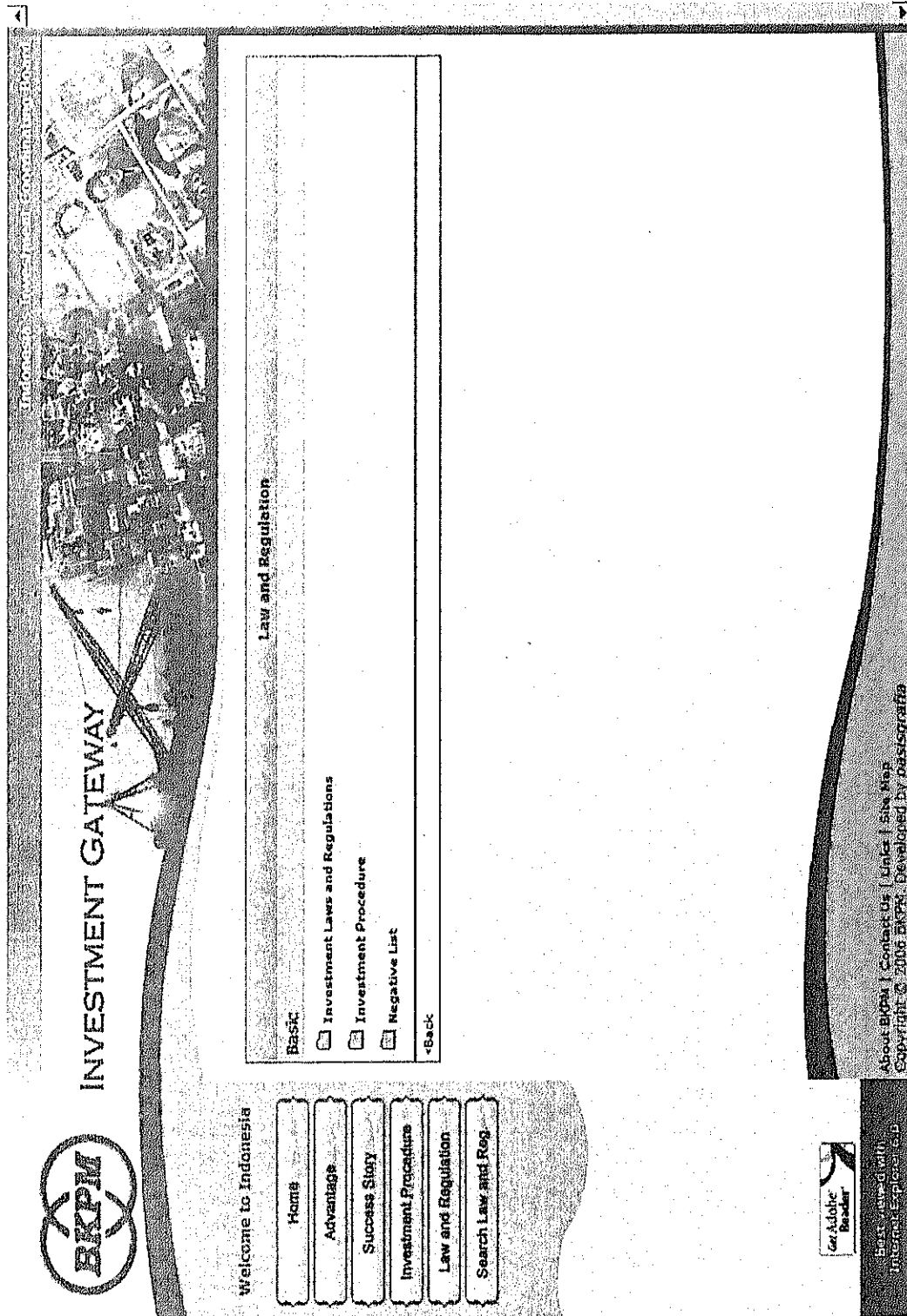
A. Investment approval from BKPM (SP/PMA)

1. What for
The application for new investment shall be filled to the Head of BKPM, using Model I/PMA form.
Approval of applications for new investment shall be issued in the form of letter of approval of

Front page of the "Law and Regulation"



Detail of "Basic laws and regulation"





INVESTMENT GATEWAY



Welcome to Indonesia

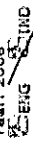
- Home
- Advantage
- Success Story
- Investment Procedure
- Law and Regulation
- Search Law and Reg.

Law and Regulation

Basic > Investment Laws and Regulations

Policy Package of Improvement of Investment Climate

Document No: 3
 Type of Regulation: Presidential Instruction
 Year: 2006



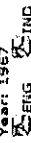
Domestic Capital

Document No: 6
 Type of Regulation: Law
 Year: 1968



Foreign Investment

Document No: 1
 Type of Regulation: Law
 Year: 1967



See articles at the next page

«Back

Pre: | tit.:»

Note: English Document is the translation of its original document in Bahasa Indonesia



Get it now with
Investor's Explorer 6.0

About BKPM | Contact Us | Links | Site Map
Copyright © 2006 BKPM. Developed by *oasisgrafika*

Article of the "Policy Package of Improvement of Investment Climate"

Save a Copy Select 122% Create PDF from MS Office

AKBAR & AKBAR
Law Office

Jl. Tebet Barat Dalam IX No. 21 Jakarta 12810
Phone/Fax : (021) 8500248
E-mail : facilias@akbaroo.com
<mailto:tedilaw@yahoo.com>

**PRESIDENTIAL INSTRUCTION
NUMBER 3, YEAR 2006
CONCERNING
POLICY PACKAGE OF IMPROVEMENT OF INVESTMENT CLIMATE**

THE PRESIDENT OF THE REPUBLIC INDONESIA

In order to improve investment climate to increase Indonesian economy growth, it is deemed necessary to issue Presidential Instruction regarding Policy Package of Improvement of Investment Climate:

To : 1. Coordinator Minister of Economy;
2. Minister of Finance;
3. Minister of Trade;
4. Minister of Domestic Affair;
5. Minister of Energy and Mineral Resources;
6. Minister of Communication;
7. Minister of Law and Human Right;
8. Minister of Industry;
9. Minister of Communication and Informatics ;
10. Minister of Man Power and Transmigration ;

1 of 22

Comments Alerts Pages Layers Bookmarks

JICA

1