

NO.



JAPAN INTERNATIONAL COOPERATION AGENCY (JICA)



MINISTRY OF PUBLIC WORKS
REPUBLIC OF INDONESIA

**DETAILED DESIGN STUDY
OF
NORTH JAVA CORRIDOR FLYOVER PROJECT
IN THE REPUBLIC OF INDONESIA**

**FINAL REPORT
DESIGN REPORT
(PC BRIDGE)**

DECEMBER 2006



KATAHIRA & ENGINEERS INTERNATIONAL

SD
CR(5)
06-090



**REPUBLIC OF INDONESIA
MINISTRY OF PUBLIC WORKS
DIRECTORATE GENERAL OF HIGHWAYS**

NORTH JAVA CORRIDOR FLYOVER PROJECT

**DESIGN REPORT
BALARAJA FLYOVER**

SUBSTRUCTURE DESIGN

SEPTEMBER 2006

TABLE OF CONTENTS

1. GENERAL ARRANGEMENT

2. SECTION PROPERTIES and MATERIAL PROPERTIES

2.1. CONCRETE DECK SECTION PROPERTIES

2.2. STEEL DECK SECTION PROPERTIES

2.3. COMPOSITE COLUMN AND COMPOSITE PILE TOP SECTION PROPERTIES

2.4. ABUTMENT AND PIER COPING SECTION PROPERTIES

2.5. TORSION PROPERTIES

2.6. MATERIAL PROPERTIES

3. SOIL PROPERTIES

3.1. SOIL PROFILE

3.2. SUMMARY OF SPT'S

3.3. SUMMARY OF UNDISTURBED TESTS

3.4. SUMMARY OF DISTURBED TESTS

3.5. SOIL SPRINGS AND LATERAL BEARING CAPACITY OBTAINED FROM SPT CORRELATIONS

4. NOMINAL LOADS

5. LOAD ANALYSIS

5.1. ANALYSIS MODEL

5.2. MODEL VERTICAL ALIGNMENT

5.3. GROUND SPRINGS AT PILE FRAMES

5.4. ANALYSIS MODEL DATA

5.5. MODE SHAPES AND PERIODS

6. LOAD EFFECTS AND LOAD COMBINATIONS

6.1. LOAD EFFECTS

6.2. LOAD COMBINATIONS

7. DETAILED DESIGN OF COLUMNS and ABUTMENTS

7.1. FLEXURAL DESIGN OF COLUNS

7.1.1. RC COLUMNS

Ultimate Design

Serviceability Check

7.1.2. COMPOSITE COLUMNS

Ultimate Design

Serviceability Check

**7.2. PLASTIC HINGING DEMAND ON SUPERSTRUCTURE AND
FOUNDATIONS**

7.3. SHEAR DESIGN OF COLUMNS

7.3.1. RC COLUMNS

7.3.2. COMPOSITE COLUMNS

7.3.3. COMPOSITE COLUMN SOCKET DESIGN

7.4. DETAILED DESIGN OF ABUTMENTS

8. DETAILED DESIGN OF COPING

9. DETAILED DESIGN OF FOUNDATIONS

9.1. BEARING CAPACITY – PIER PILES

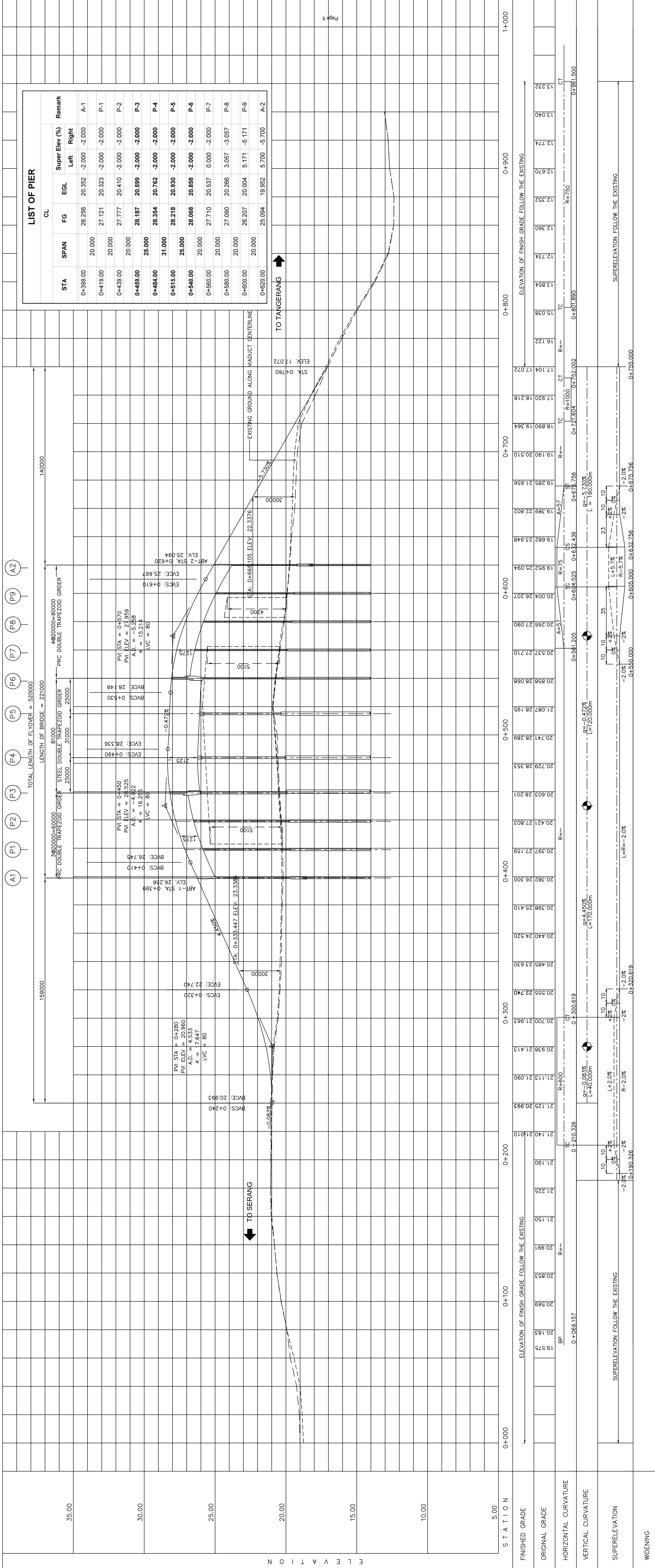
9.2. BEARING CAPACITY – ABUTMENT PILES

9.3. STRUCTURAL DESIGN OF PILE FOUNDATIONS

9.3.1. FLEXURAL DESIGN


9.3.2. SHEAR DESIGN

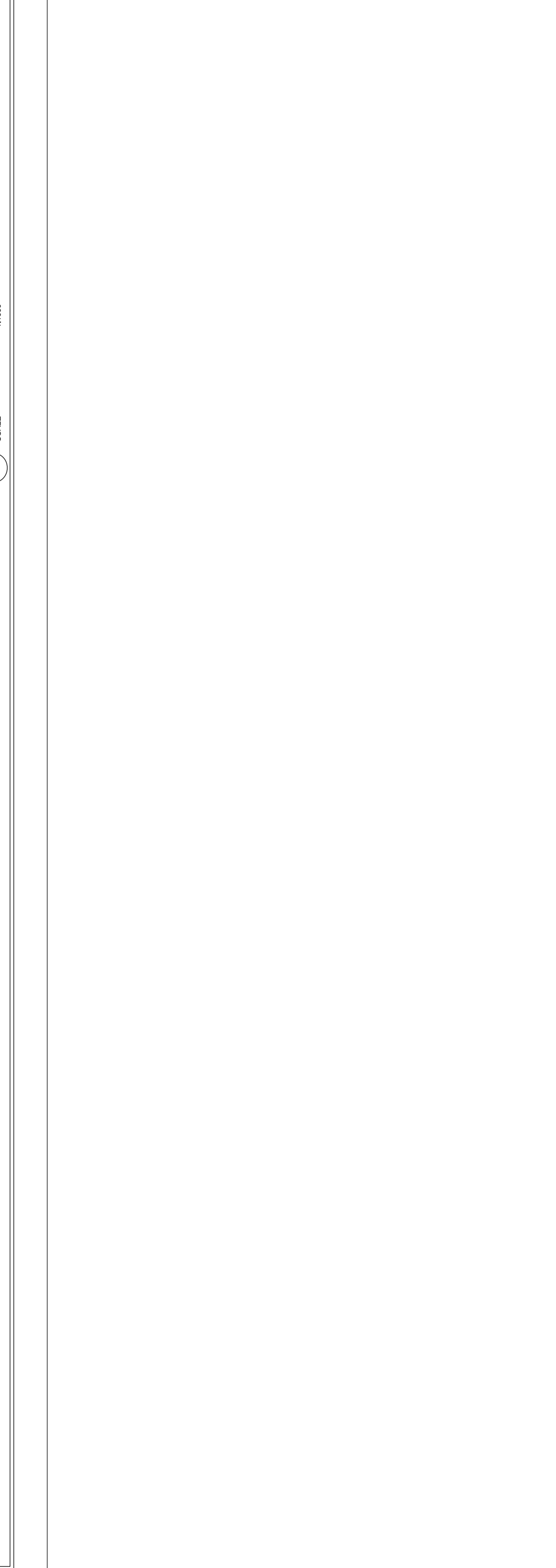
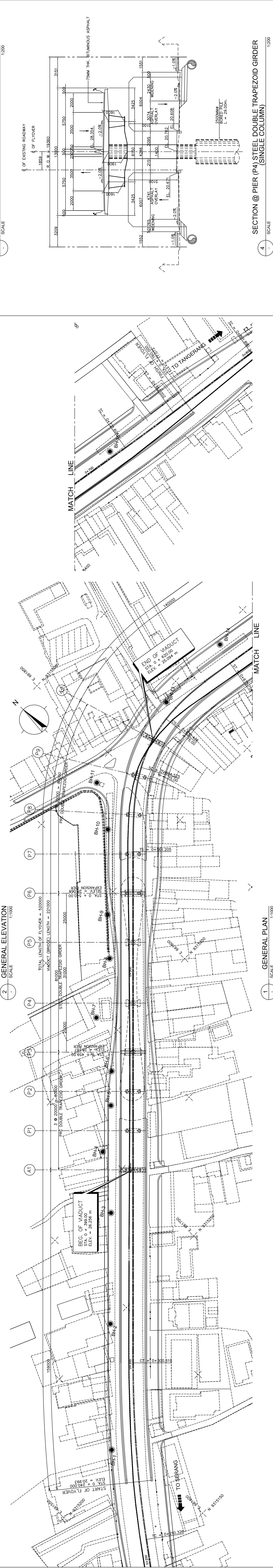
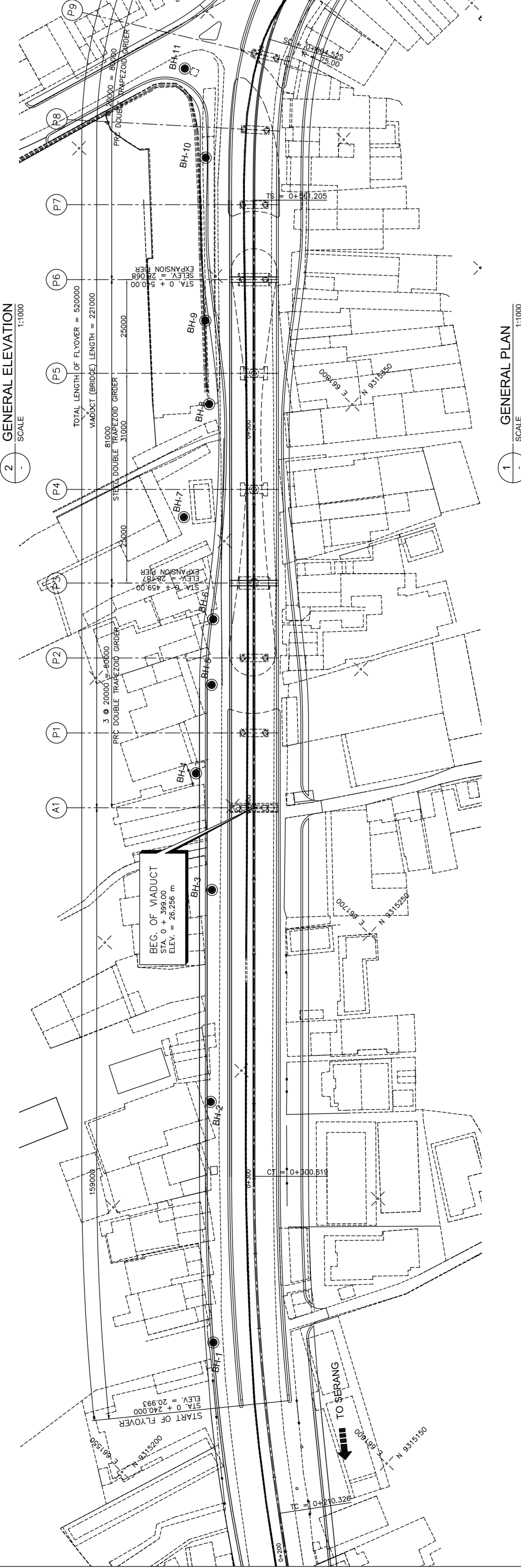
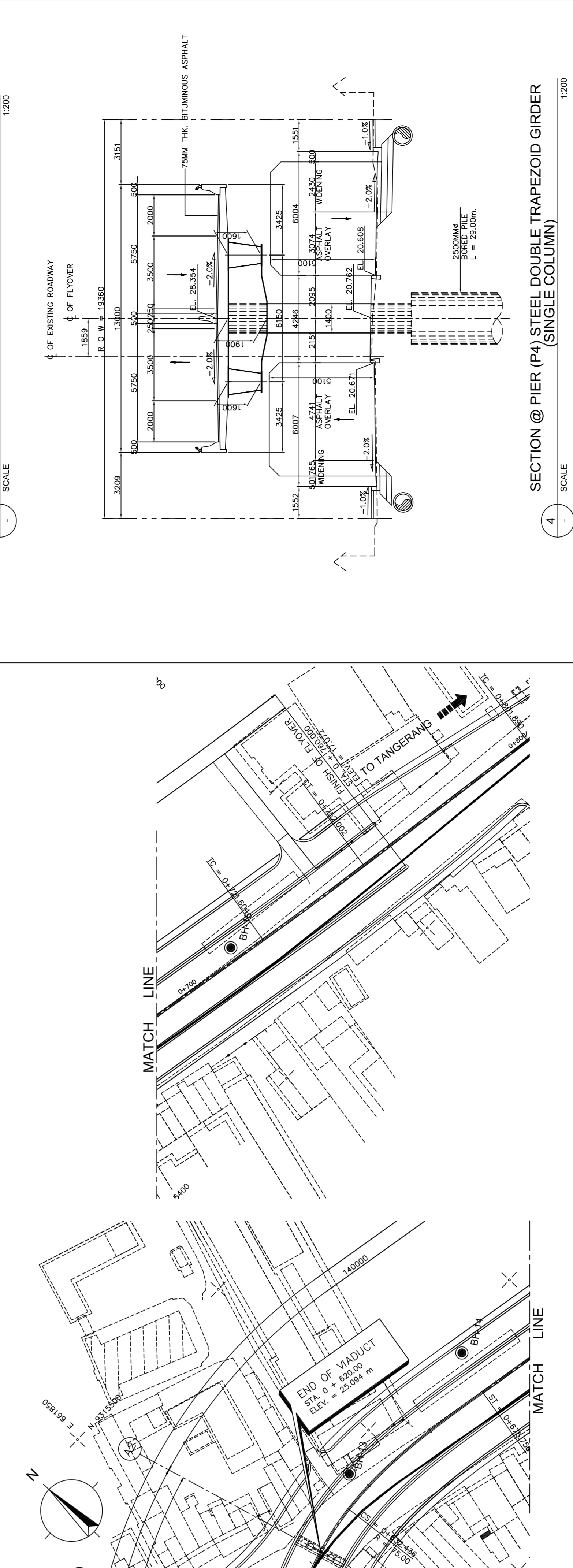
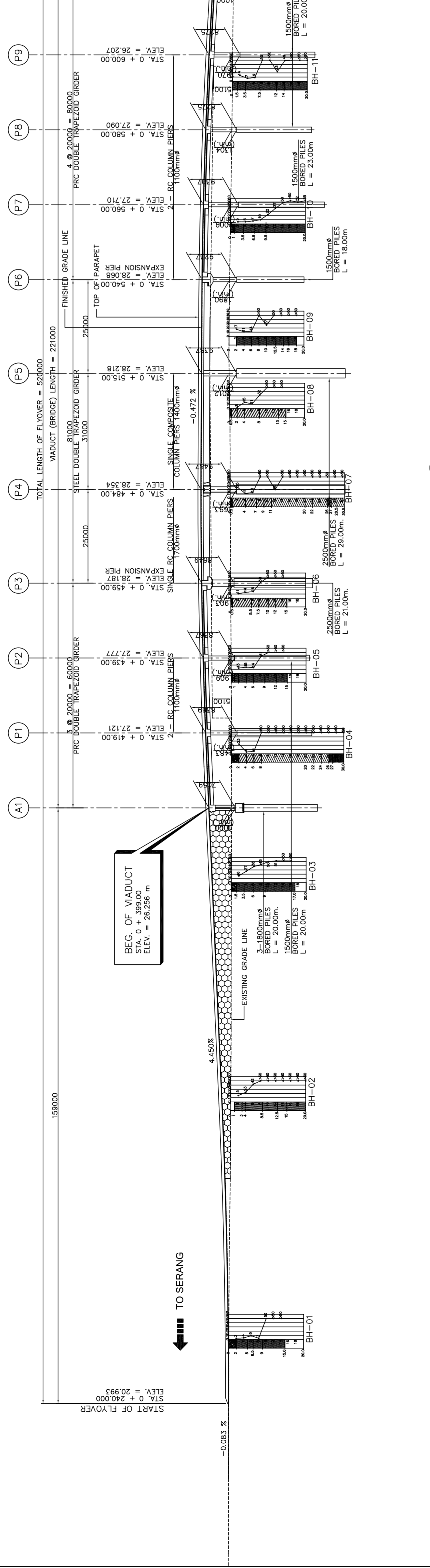
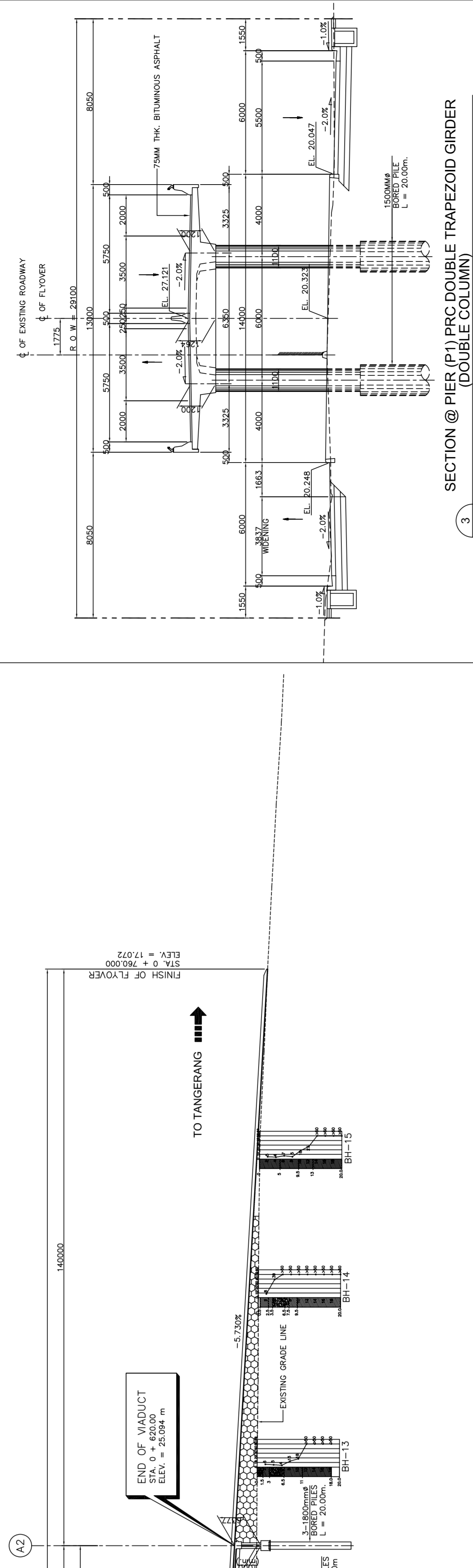
1. GENERAL ARRANGEMENT





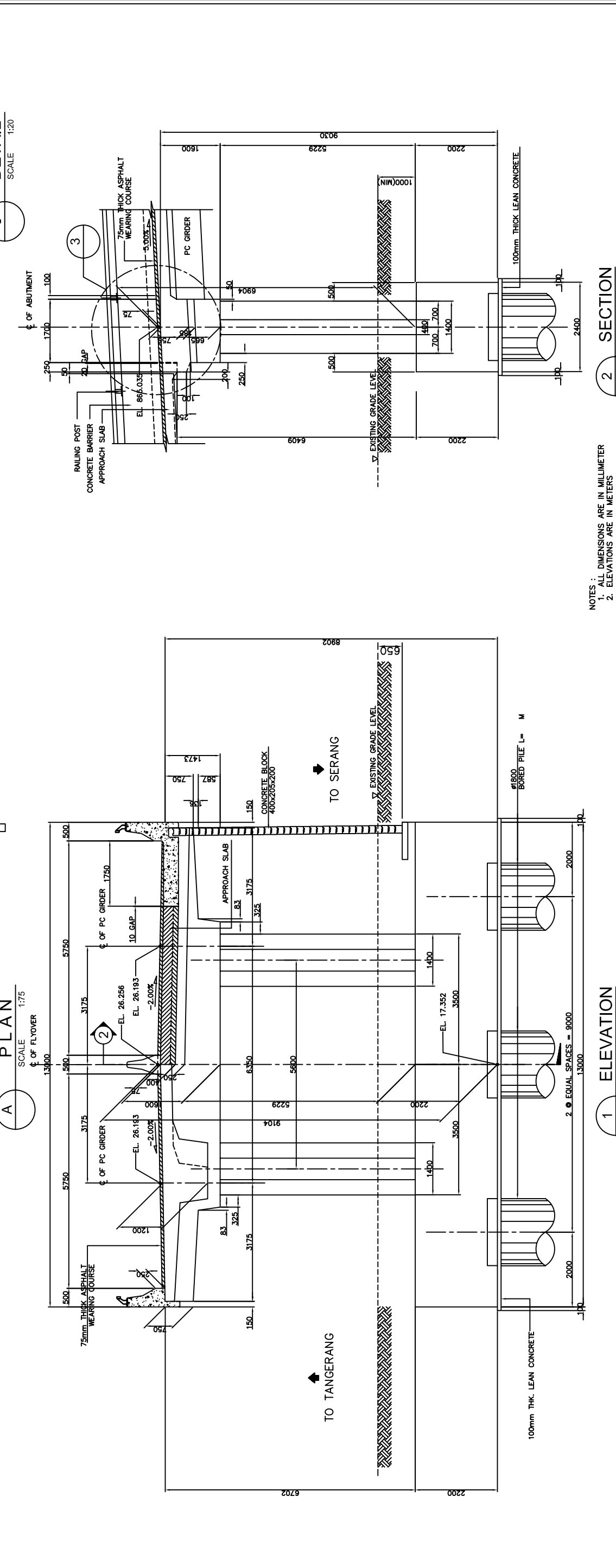
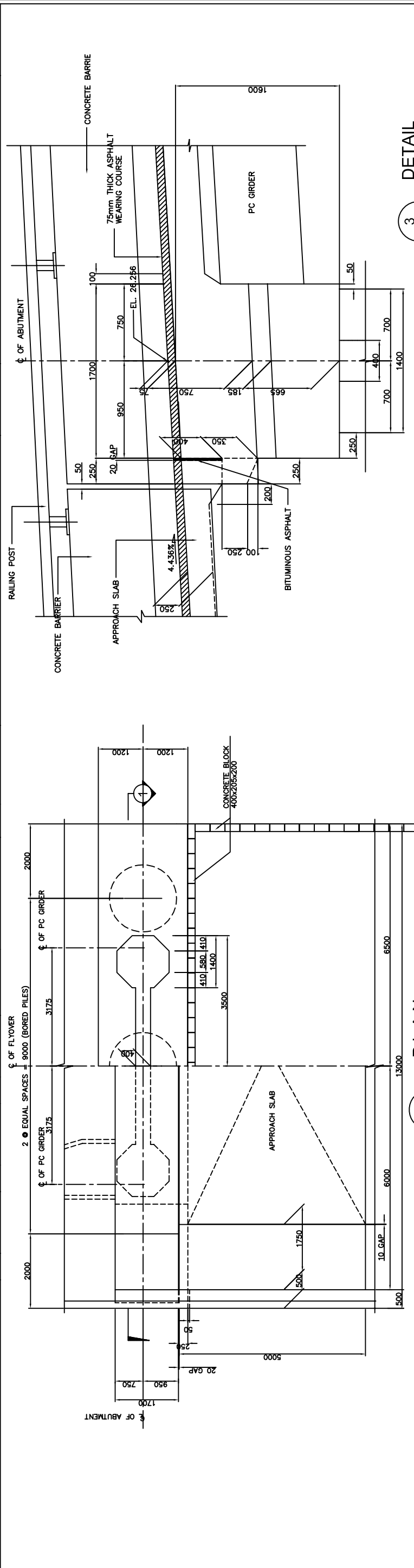
STA	SPAN	FG	EGL	Super Elev (%)		Remark
				Left	Right	
0+399.00	20.000	26.256	20.352	-2.000	-2.000	A-1
0+419.00	20.000	27.121	20.323	-2.000	-2.000	P-1
0+439.00	20.000	27.777	20.410	-2.000	-2.000	P-2
0+459.00	25.000	28.187	20.999	-2.000	-2.000	P-3
0+484.00	31.000	28.354	20.762	-2.000	-2.000	P-4
0+515.00	25.000	28.218	20.930	-2.000	-2.000	P-5
0+540.00	20.000	28.068	20.858	-2.000	-2.000	P-6
0+560.00	20.000	27.710	20.537	0.000	-2.000	P-7
0+580.00	20.000	27.090	20.266	3.057	-3.057	P-8
0+600.00	20.000	26.207	20.004	5.171	-5.171	P-9
0+620.00	20.000	25.094	19.952	5.700	-5.700	A-2

STATION	0+000	0+100	0+200	0+300	0+400	0+500	0+600	0+700	0+800	0+900	1+000
FINISHED GRADE											
ORIGINAL GRADE											
HORIZONTAL CURVATURE											
VERTICAL CURVATURE											
SUPERELEVATION											
WIDENING											

 KATAHIRA & ENGINEERS INTERNATIONAL		DESIGNED BY Name: R. HENDI Sign: [Signature] Date:	CHECKED BY Name: T. DUMALAN Sign: [Signature] Date:	SUBMITTED BY Name: M. KADIM Sign: [Signature] Date:	PROJECT AND LOCATION NORTH JAVA CORRIDOR FLYOVER PROJECT BALARAJA FLYOVER - CONTRACT PACKAGE 1 (KABUPATEN BOGOR) (WEST JAVA PROVINCE)	DRAWING NO. BGE-008 SHEET NO. 08 / 18
JAPAN INTERNATIONAL COOPERATION AGENCY KATAHIRA & ENGINEERS INTERNATIONAL		APPROVED BY Name: HERRY WATA M. D. S. Sign: [Signature] Date:	REPUBLIC OF INDONESIA DEPARTMENT OF TRANSPORTATION DIRECTORATE GENERAL OF HIGHWAYS APPROVED BY Name: HERRY WATA M. D. S. Sign: [Signature] Date:		SCALE : AS SHOWN FULL SIZE A3	DRAWING TITLE : FLYOVER GENERAL PLAN, ELEVATION & SECTIONS



 JAPAN INTERNATIONAL COOPERATION AGENCY KATAHIRA & ENGINEERS INTERNATIONAL	DESIGNED BY Name: R. UENO Sign: [Signature] Date: [Blank]	CHECKED BY Name: S. GOSE Sign: [Signature] Date: [Blank]	SUBMITTED BY Name: M. KIUCHI Sign: [Signature] Date: [Blank]	 REPUBLIC OF INDONESIA MINISTRY OF PUBLIC WORKS DIRECTORATE GENERAL OF HIGHWAYS	PROJECT AND LOCATION : DETAILED DESIGN STUDY OF NORTH JAVA CORRIDOR FLYOVER PROJECT BALARAJA FLYOVER - CONTRACT PACKAGE 1 (MERAK - BALARAJA) BANTEN PROVINCE	SCALE : 1 : 75 1 : 20 FULL SIZE A3	DRAWING TITLE : ABUTMENT LAYOUT & DIMENSIONS (ABUT. A1)	DRAWING NO : 000-000 SHEET NO : 01 / 001



NOTES :
 1. ALL DIMENSIONS ARE IN MILLIMETER
 2. ELEVATIONS ARE IN METERS



JAPAN INTERNATIONAL COOPERATION AGENCY
KATAHIRA & ENGINEERS
 INTERNATIONAL

DESIGNED BY	CHECKED BY	SUBMITTED BY
Name A. GURLEY	Name T. OKUMURA	Name M. KUCHI
Sign	Sign	Sign
Date	Date	Date



REPUBLIC OF INDONESIA
 MINISTRY OF PUBLIC WORKS
 DIRECTORATE GENERAL OF HIGHWAYS

APPROVED BY	Sign	Date
Ir. HERRY VAZA M.Eng.Sc		
NIP. : 110038400		

PROJECT AND LOCATION :
 DETAILED DESIGN STUDY OF
 NORTH JAVA CORRIDOR FLYOVER PROJECT
 BALARAJA FLYOVER - CONTRACT PACKAGE 1
 (MERAK - BALARAJA)
 BANTEN PROVINCE

SCALE :
1 : 40
1 : 60
1 : 150
1 : 4000
FULL SIZE A3

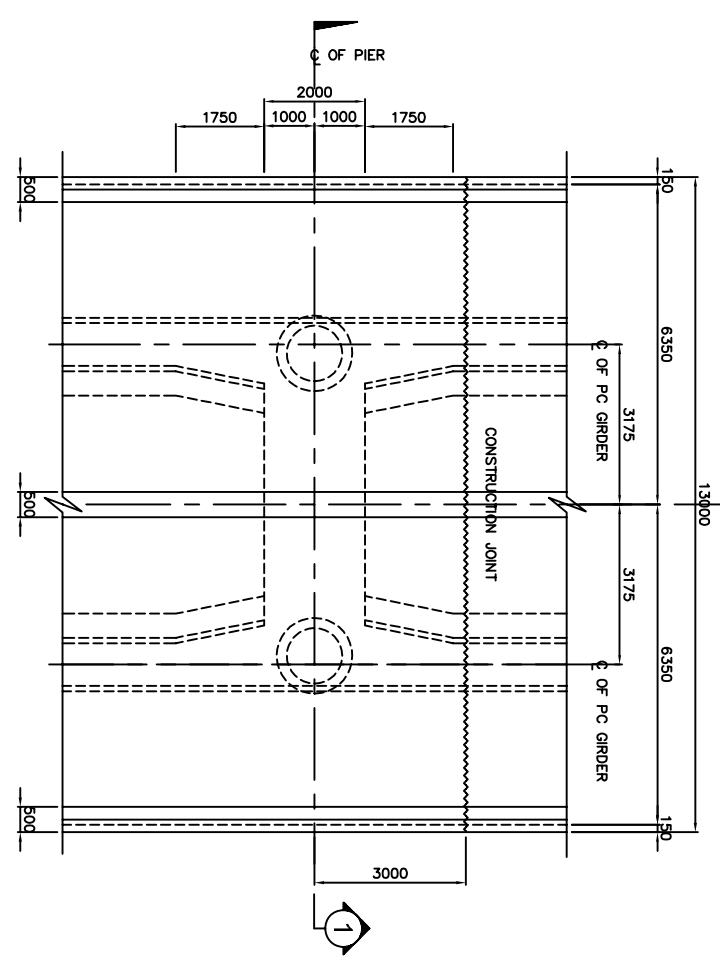
DRAWING TITLE :

PIER LAYOUT
 P7

DRAWING NO. :
BSB-06
SHEET NO. :
06 / 44

TO TANGERANG

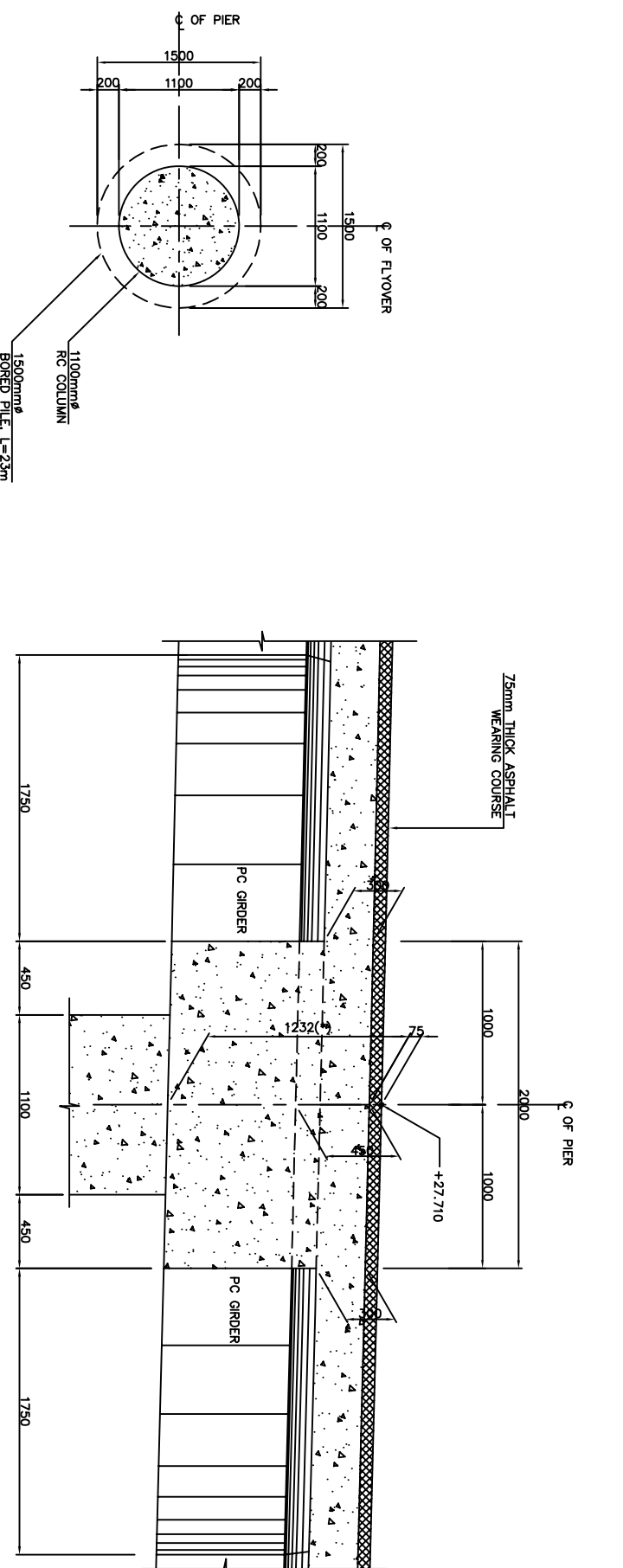
TO SERANG



2 PLAN
 SCALE : 1:150

TO TANGERANG

TO SERANG



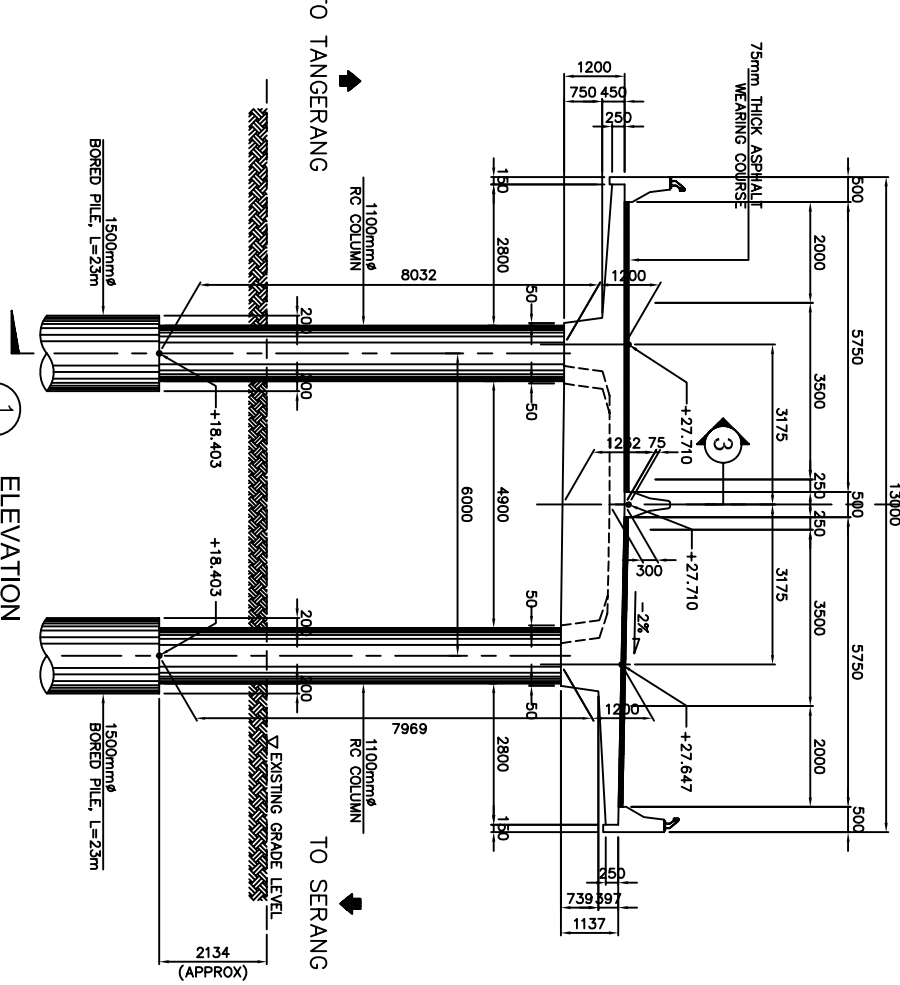
4 SECTION
 SCALE : 1:80

5 DETAIL
 SCALE : 1:40

(*) NOTES :
 1. DIMENSION GIVEN AT § ALIGNMENT OF FLYOVER
 2. DIMENSION VARIES AT CROSS DECK

TO TANGERANG

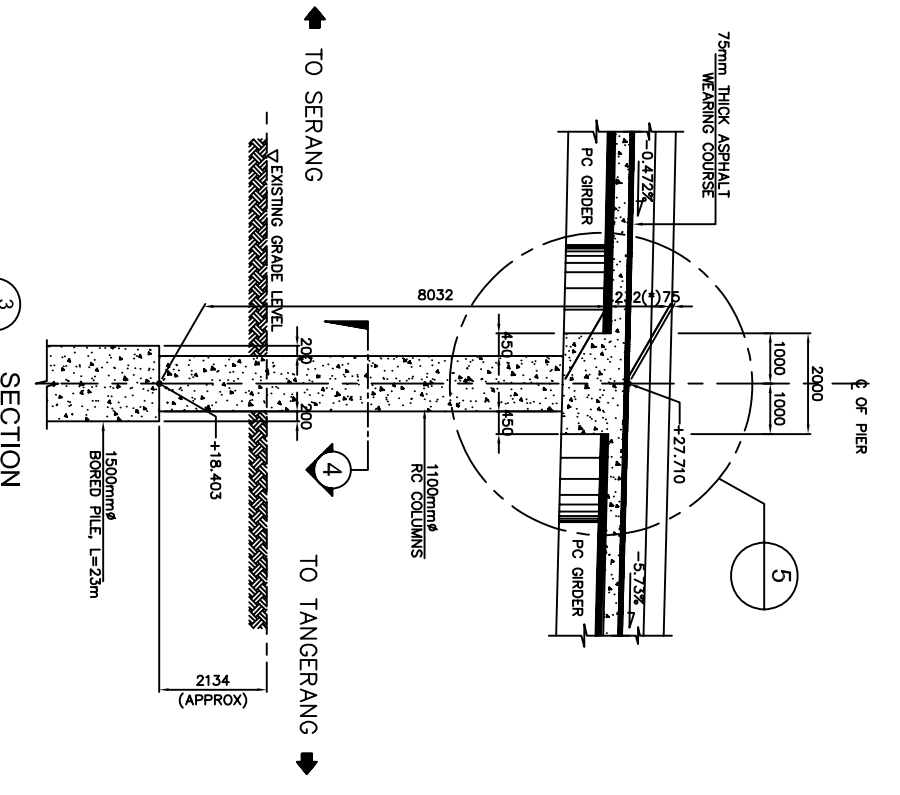
TO SERANG



1 ELEVATION
 SCALE : 1:150

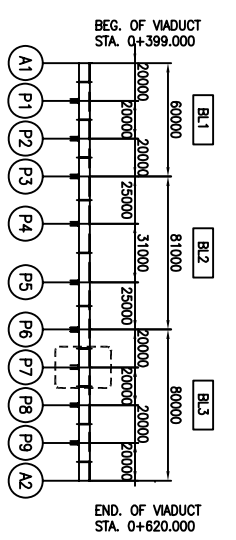
TO SERANG

TO TANGERANG



3 SECTION
 SCALE : 1:150

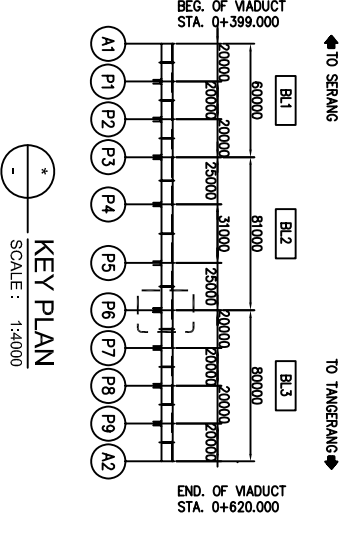
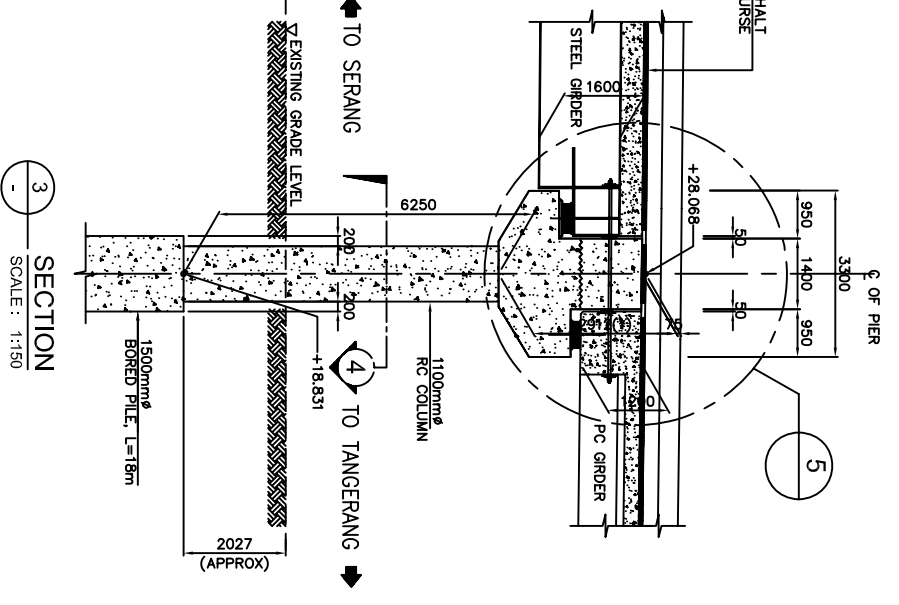
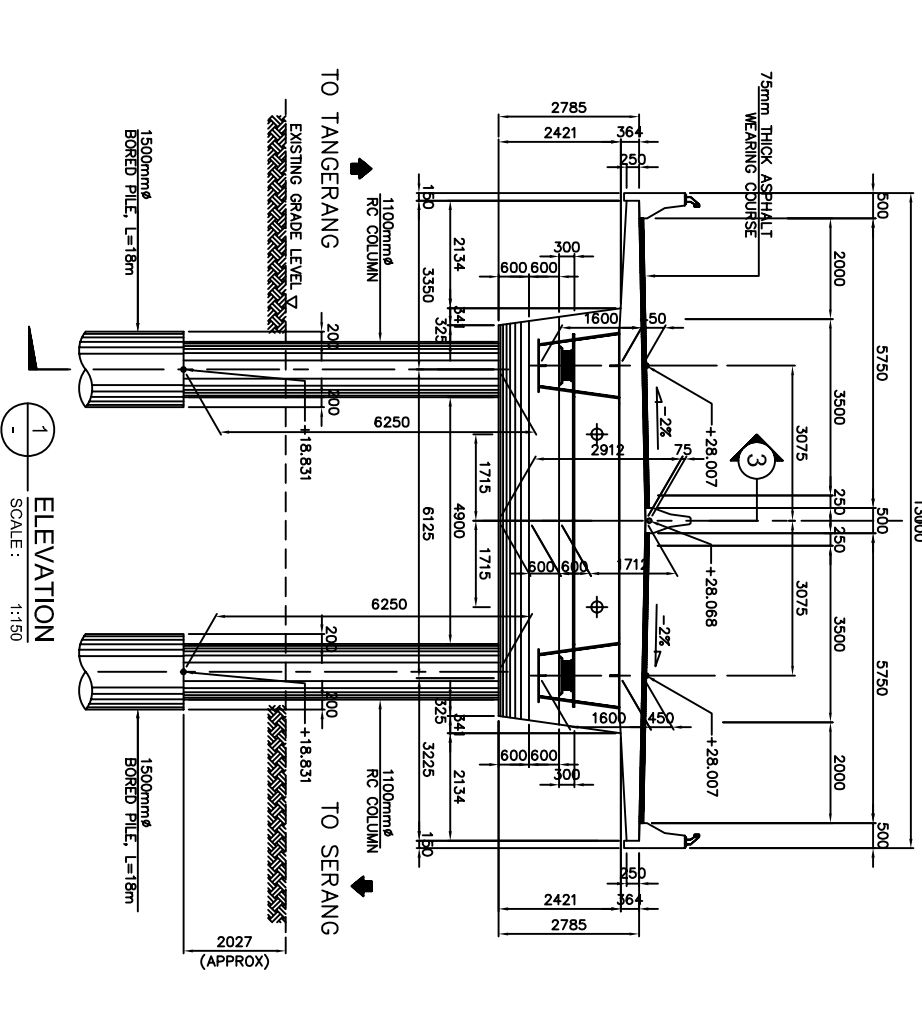
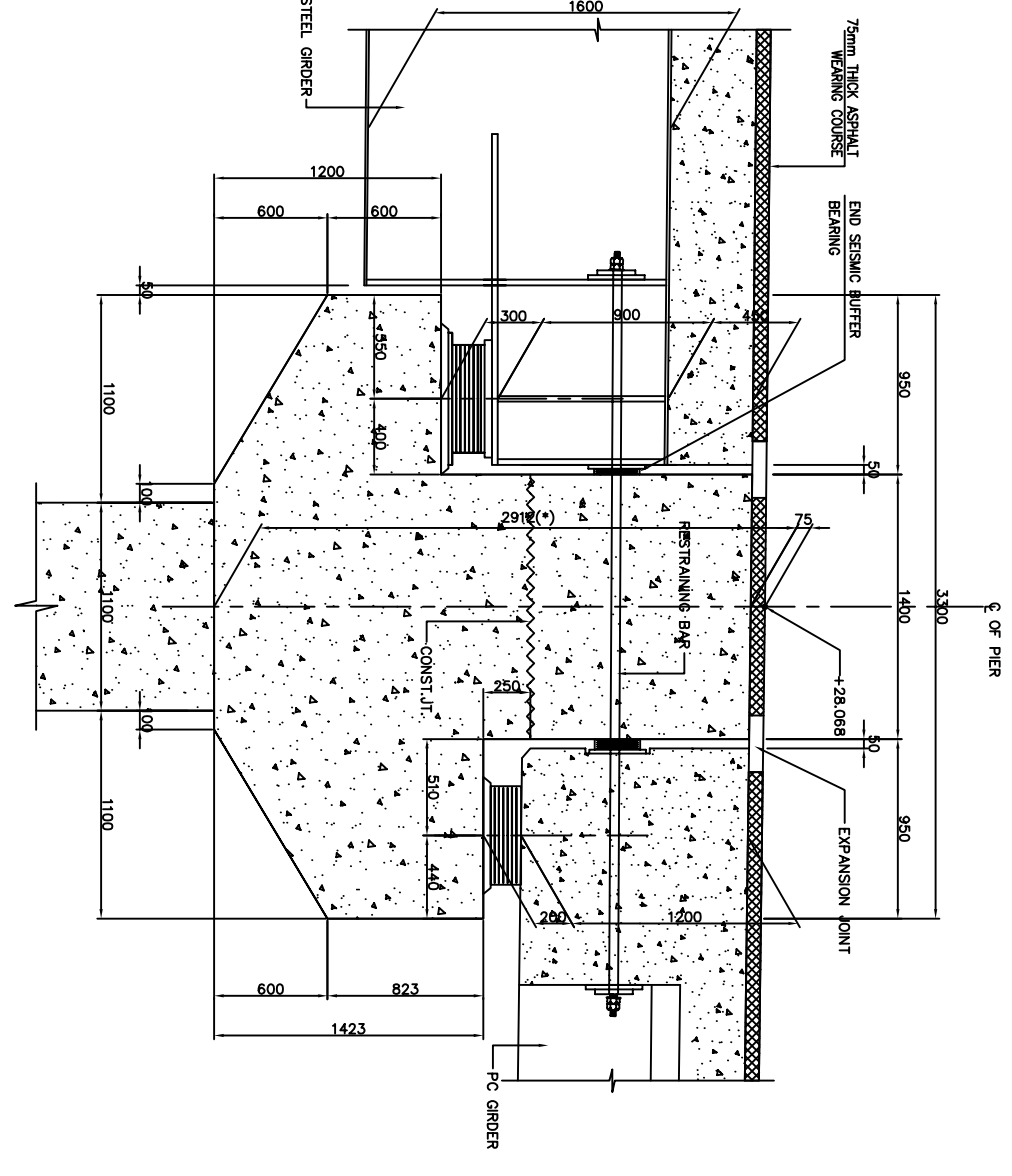
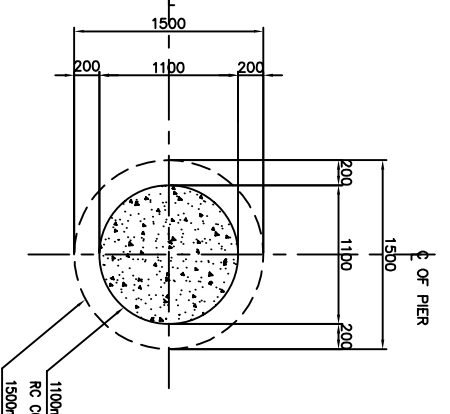
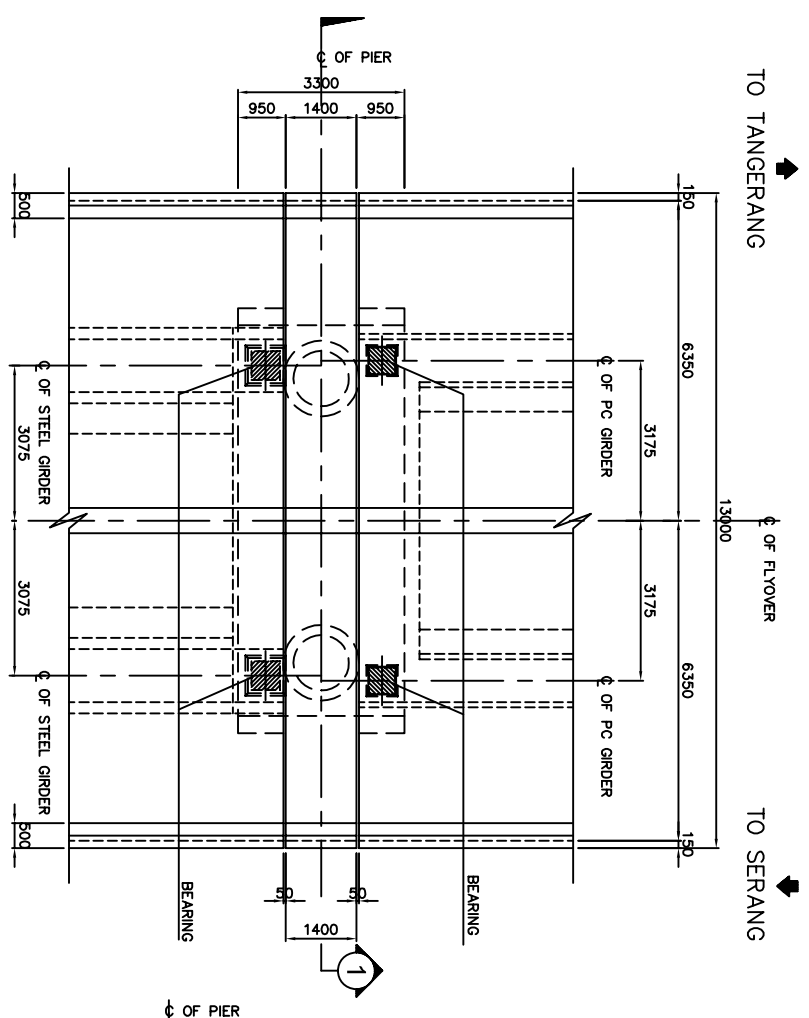
NOTES :
 1. ALL DIMENSIONS ARE IN MILLIMETER
 2. ELEVATIONS ARE IN METERS



KEY PLAN
 SCALE : 1:4000

DESIGNED BY	CHECKED BY	SUBMITTED BY
Name A. GOURLEY	Name T. OKUMURA	Name M. KUCHI
Sign	Sign	Sign
Date	Date	Date

SCALE :	DRAWING TITLE :
1 : 40	PIER LAYOUT P6 (EXP.)
1 : 60	
1 : 150	
1 : 4000	DRAWING NO. :
FULL SIZE A3	BSSB-05
	SHEET NO. :
	05 / 44



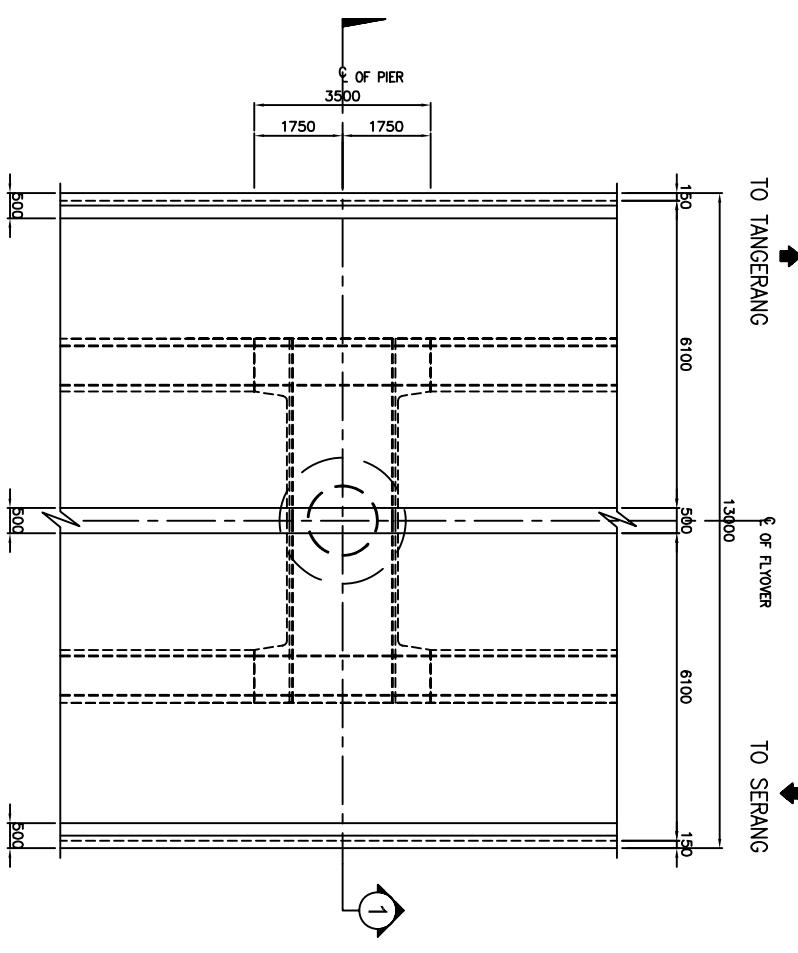
(*) NOTES :
 1. DIMENSION GIVEN AT ϕ ALIGNMENT OF FLYOVER
 2. DIMENSION VARIES AT CROSS DECK

NOTES :
 1. ALL DIMENSIONS ARE IN MILLIMETER
 2. ELEVATIONS ARE IN METERS

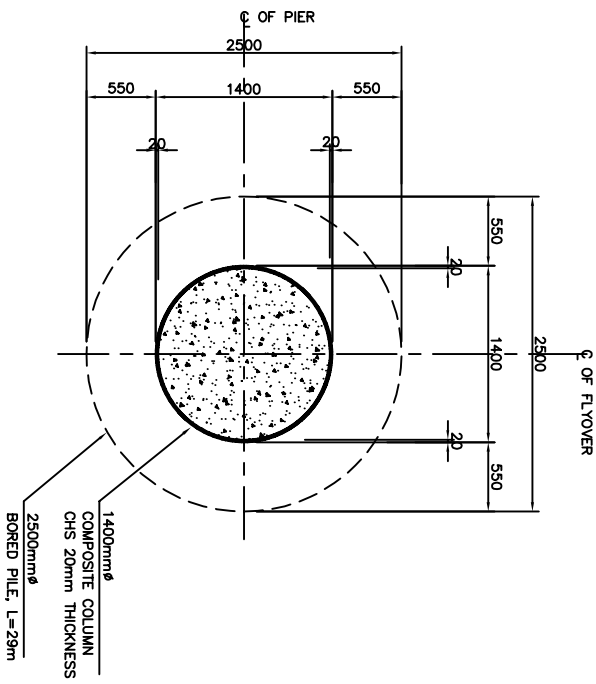
DESIGNED BY	CHECKED BY	SUBMITTED BY
Name A. COURLEY	Name T. OKUMURA	Name M. KUCHI
Sign	Sign	Sign
Date	Date	Date

SCALE :	DRAWING TITLE :
1 : 60	PIER LAYOUT
1 : 150	P4, P5 (FIXED)
1 : 4000	
FULL SIZE A3	

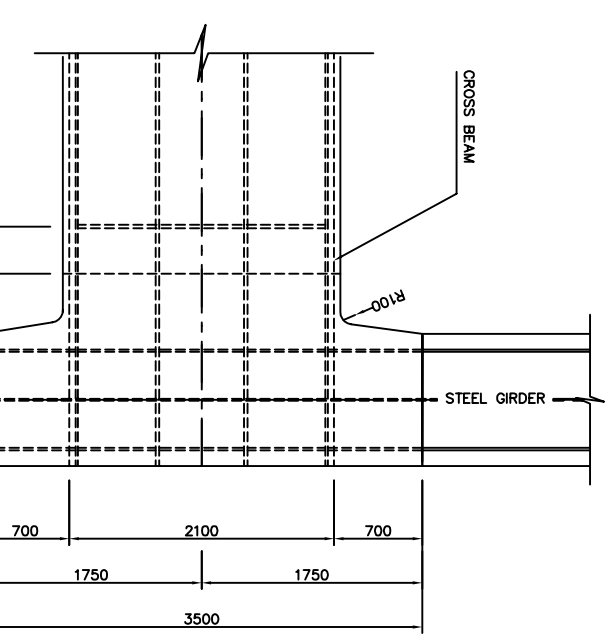
PIER	EL. A	EL. AL	EL. AR	EL. B	SL. 1L	SL. 1R	SL. 2	H	H1	H2	H3	H4	H5	H6
P4	28.554	28.293	28.293	18.867	-2.000%	-0.472%	7000	2029	2029	2029	1644	1644	385	385
P5	28.218	28.157	28.157	18.831	-2.000%	-0.472%	6900	2029	2029	1644	1644	385	385	



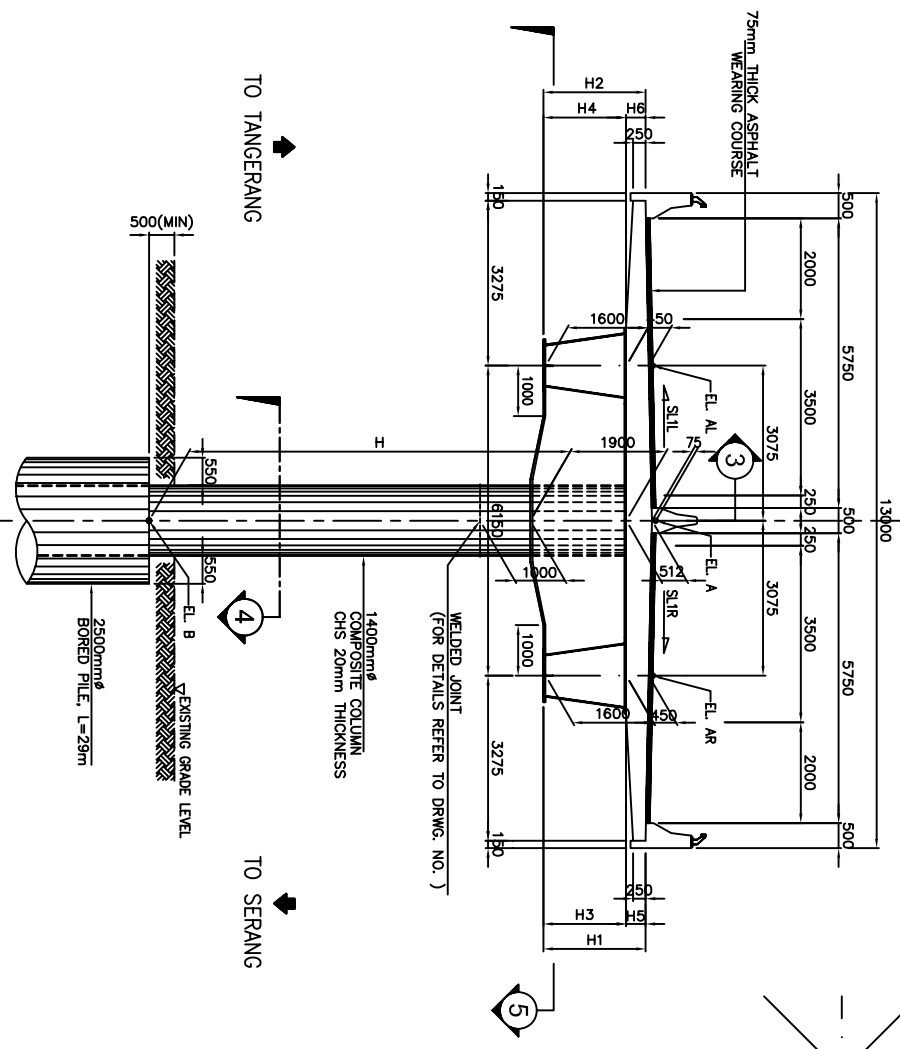
2 PLAN
 SCALE : 1:150
 § OF FLYOVER



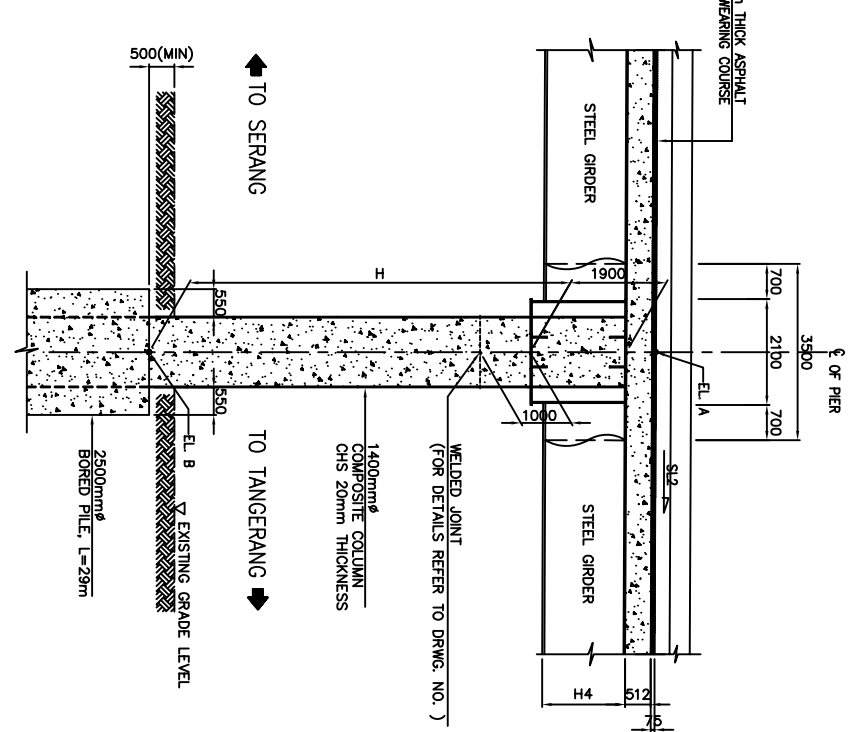
4 SECTION
 SCALE : 1:80
 § OF FLYOVER



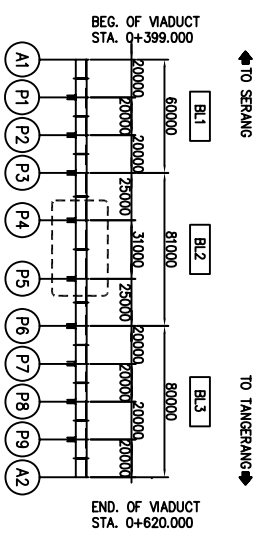
5 SECTION
 SCALE : 1:80



1 ELEVATION
 SCALE : 1:150



3 SECTION
 SCALE : 1:150



* KEY PLAN
 SCALE : 1:4000

NOTES :
 1. ALL DIMENSIONS ARE IN MILLIMETER
 2. ELEVATIONS ARE IN METERS

DESIGNED BY	CHECKED BY	SUBMITTED BY
Name A. COURLEY	Name T. OKUMURA	Name M. KUCHI
Sign	Sign	Sign
Date	Date	Date

PROJECT AND LOCATION :

 DETAILED DESIGN STUDY OF

 NORTH JAVA CORRIDOR FLYOVER PROJECT

 BALARAJA FLYOVER - CONTRACT PACKAGE 1

 (MERAK - BALARAJA)

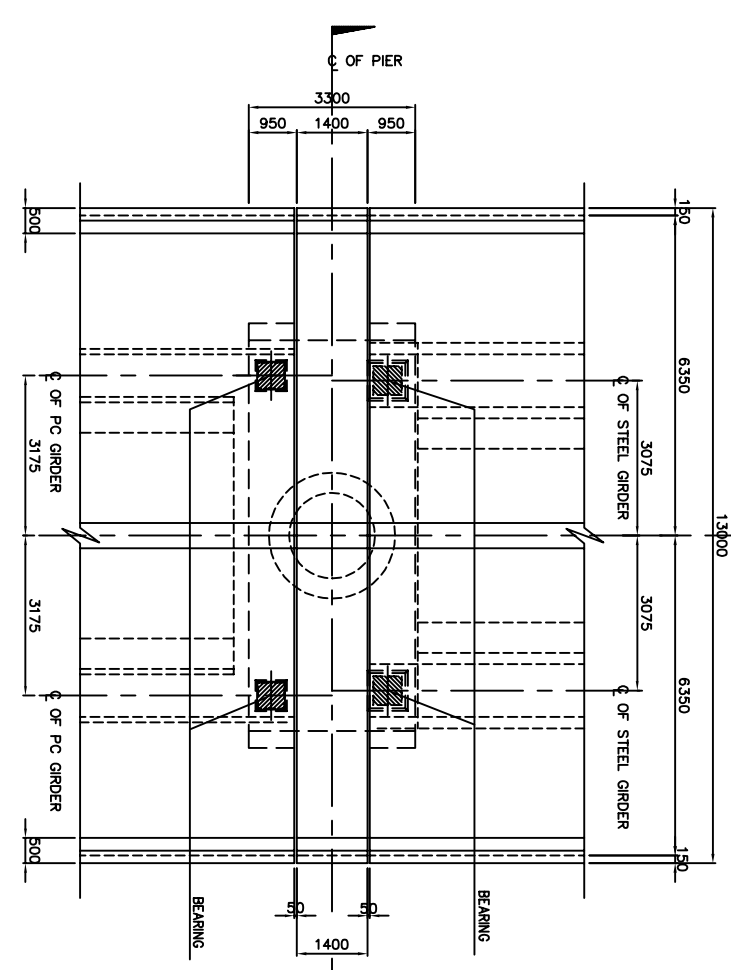
 BANTEN PROVINCE

APPROVED BY	Sign	Date
Ir. HERRY VAZA M.Eng.Sc		
NIP. : 110038400		

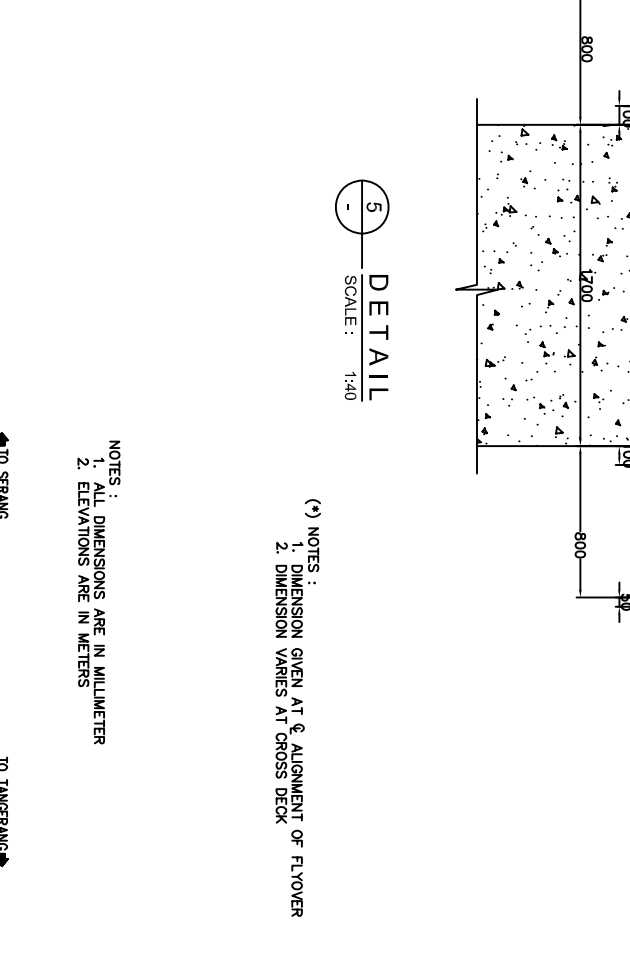
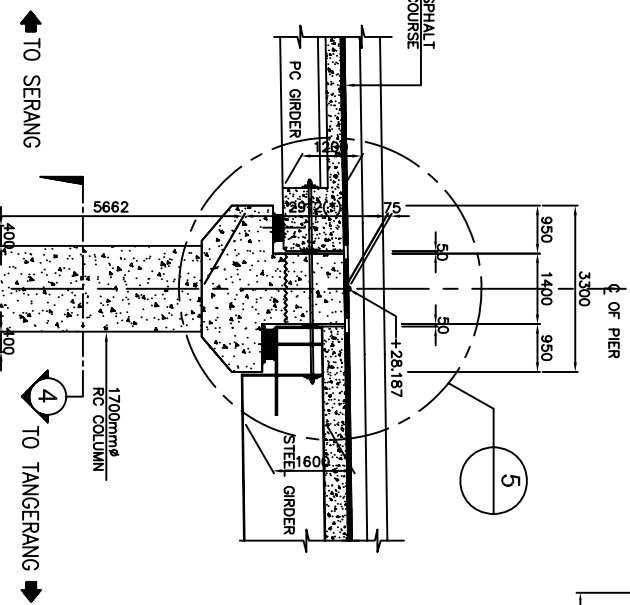
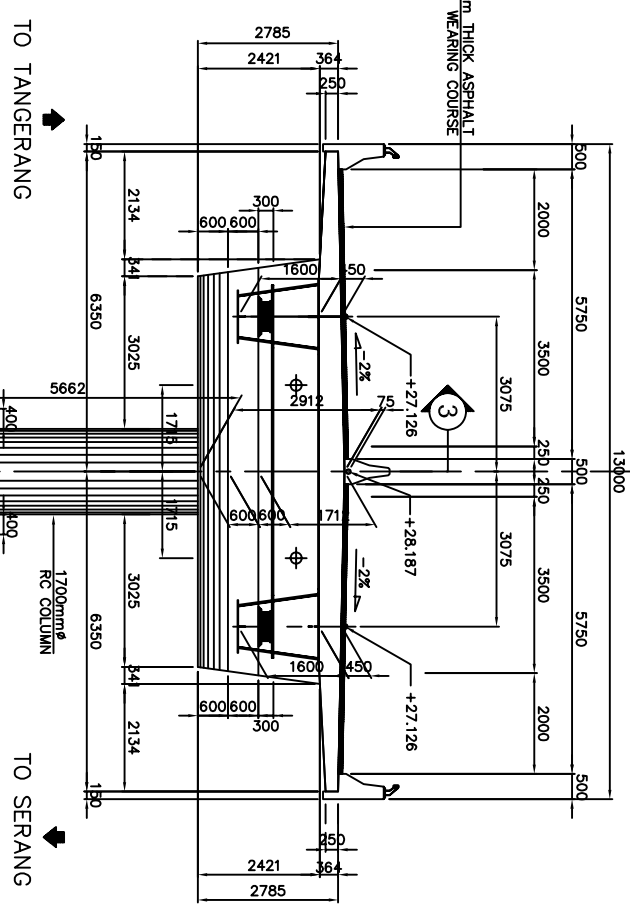
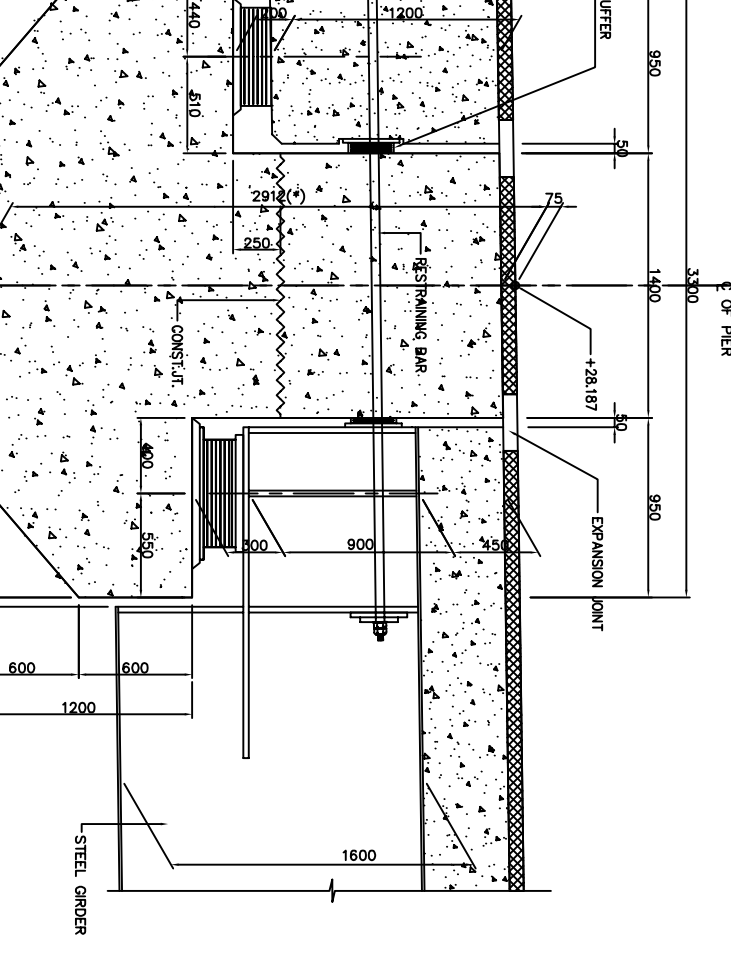
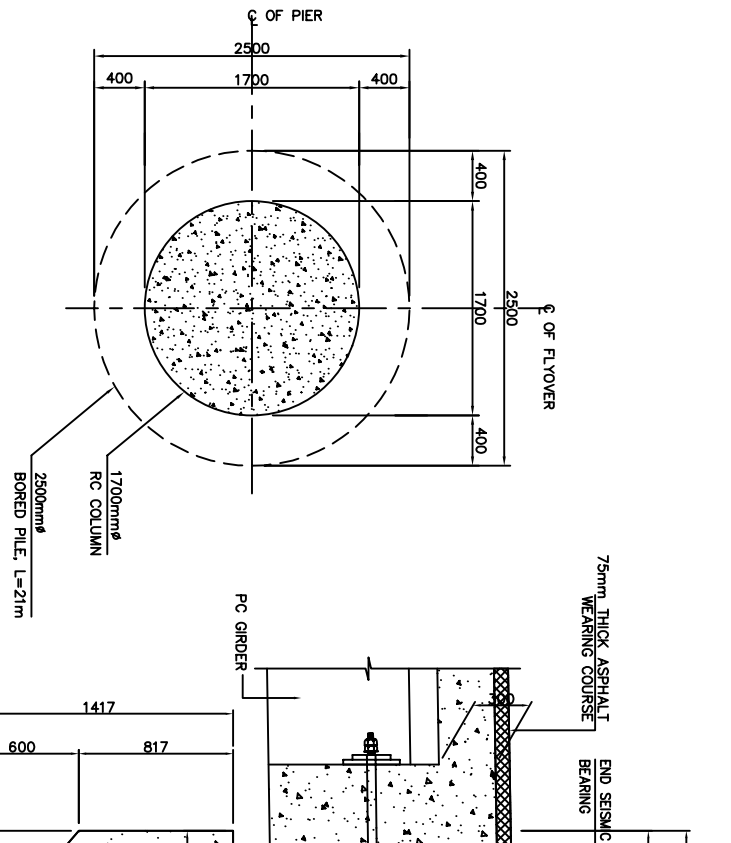
SCALE :	DRAWING TITLE :
1 : 40	PIER LAYOUT
1 : 60	
1 : 150	
1 : 400	P3 (EXP.)
FULL SIZE A3	

DRAWING NO. :
B5B-03
SHEET NO. :
03 / 44

TO TANGERANG ← ← OF FLYOVER → TO SERANG



← OF PIER ← OF FLYOVER → TO SERANG



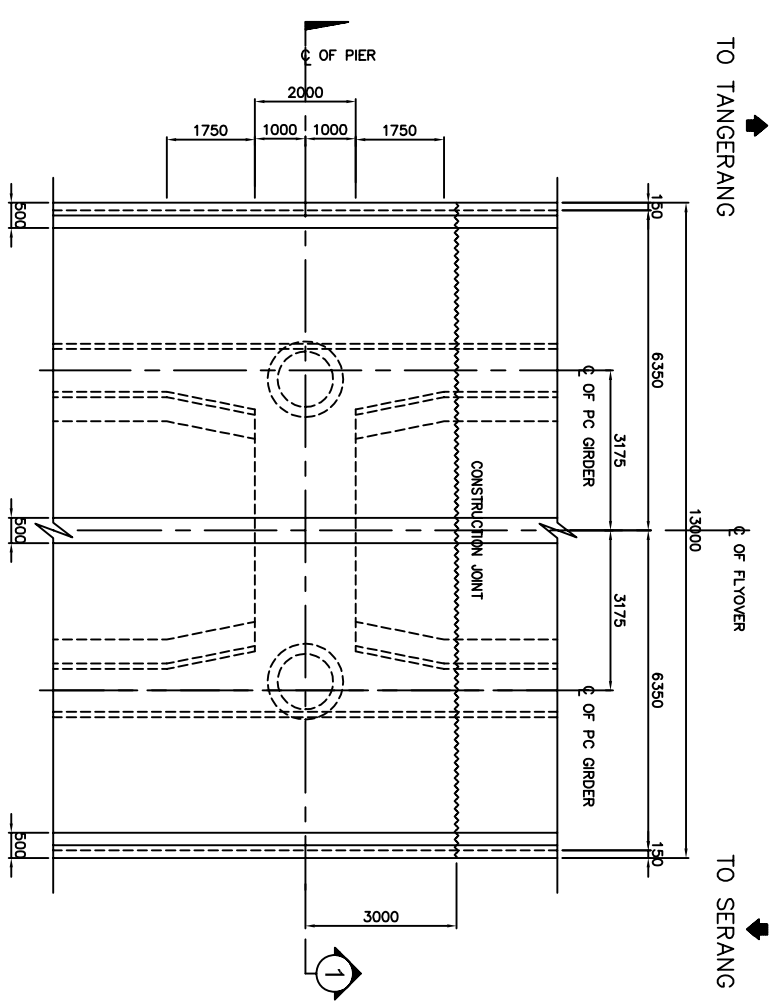
(*) NOTES :
 1. DIMENSION GIVEN AT § ALIGNMENT OF FLYOVER
 2. DIMENSION VARIES AT CROSS DECK

NOTES :
 1. ALL DIMENSIONS ARE IN MILLIMETER
 2. ELEVATIONS ARE IN METERS

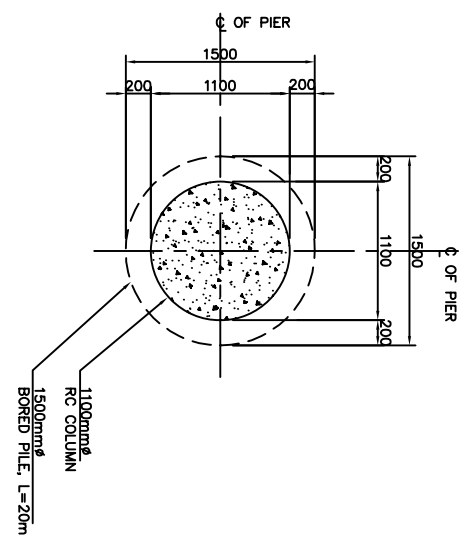
DESIGNED BY	CHECKED BY	SUBMITTED BY
Name A. COURLEY	Name T. OKUMURA	Name M. KUCHI
Sign	Sign	Sign
Date	Date	Date

APPROVED BY	Scale
Ir. HERRY WAZA M.Eng.Sc NIP. : 110038400	1 : 40 1 : 60 1 : 150 1 : 4000 FULL SIZE A3
Sign	DATE

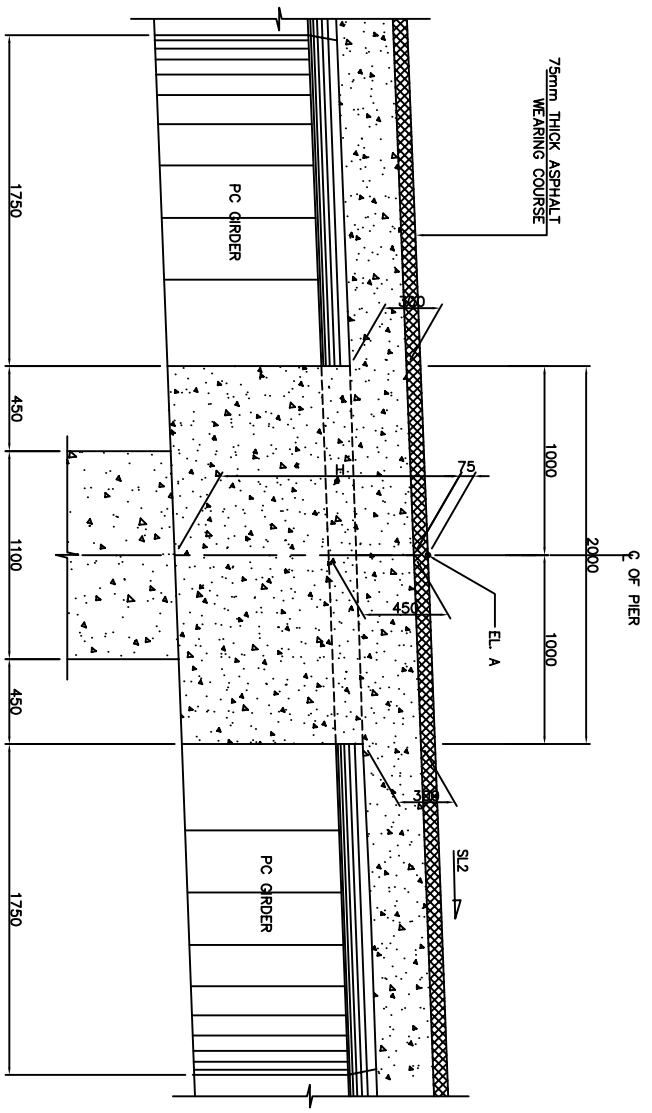
PIER	EL. A	EL. AL	EL. AR	EL. BL	EL. BR	SL. 1L	SL. 1R	SL. 2	H	HL	HR	H1	H2	H3	H4	H5	H6
P1	27.121	27.056	27.056	18.752	18.752	-2.000	-2.000	+4.450	1264	7029	7029	1137	1137	739	739	397	397
P2	27.777	27.714	27.714	19.410	19.410	-2.000	-2.000	+4.450	1264	7029	7029	1137	1137	739	739	397	397



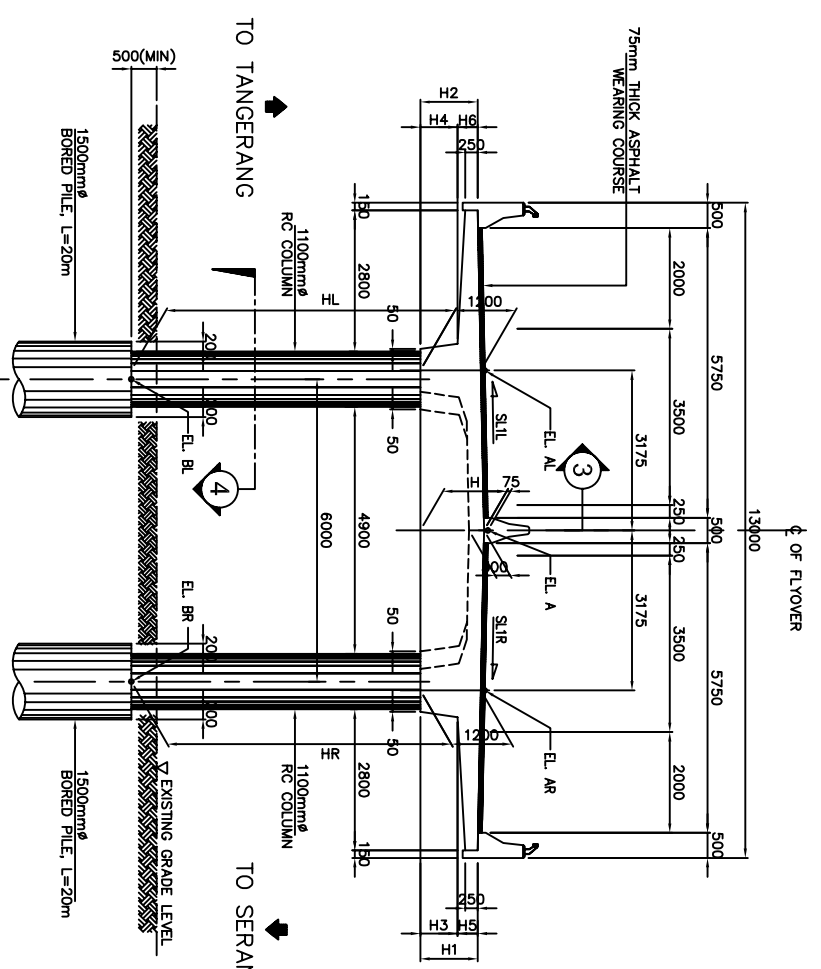
2 PLAN
SCALE : 1:150



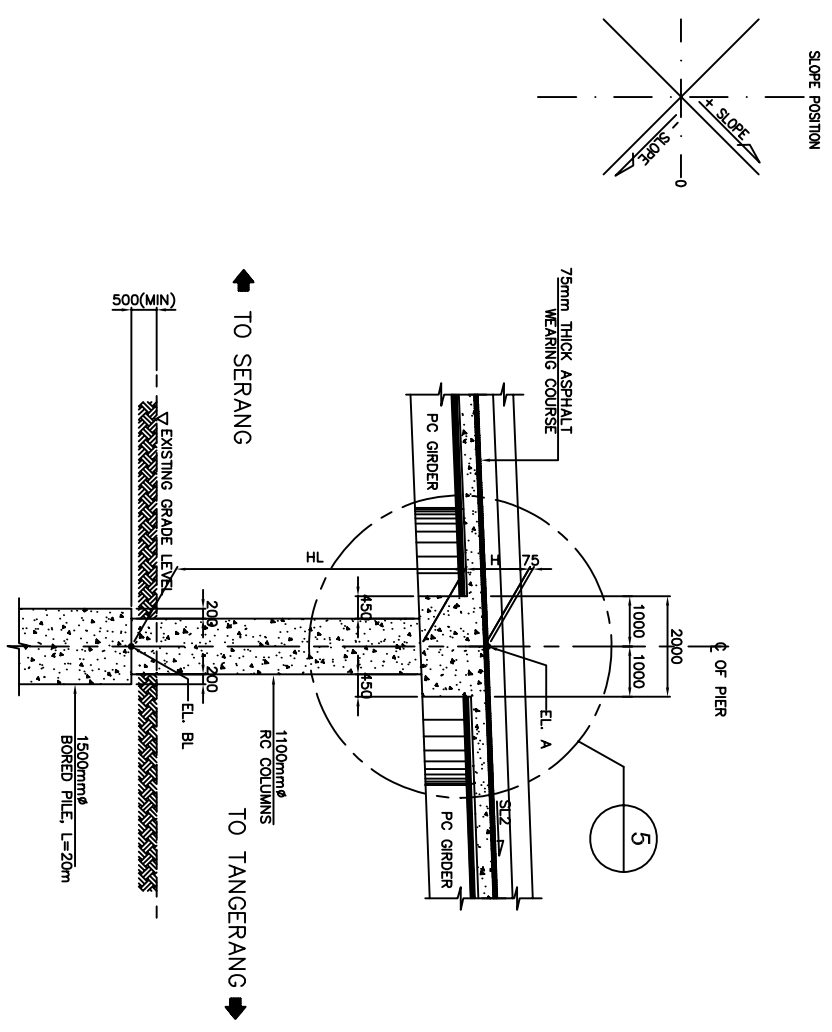
4 SECTION
SCALE : 1:80



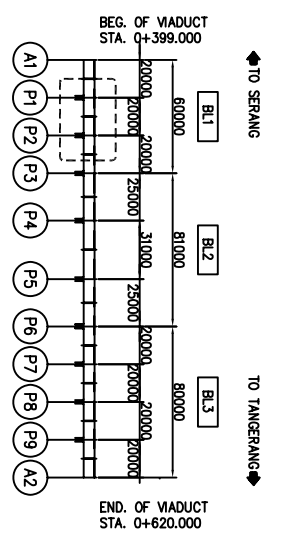
5 DETAIL
SCALE : 1:40



1 ELEVATION
SCALE : 1:150



3 SECTION
SCALE : 1:150



KEY PLAN
SCALE : 1:4000

NOTES :
1. ALL DIMENSIONS ARE IN MILLIMETER
2. ELEVATIONS ARE IN METERS