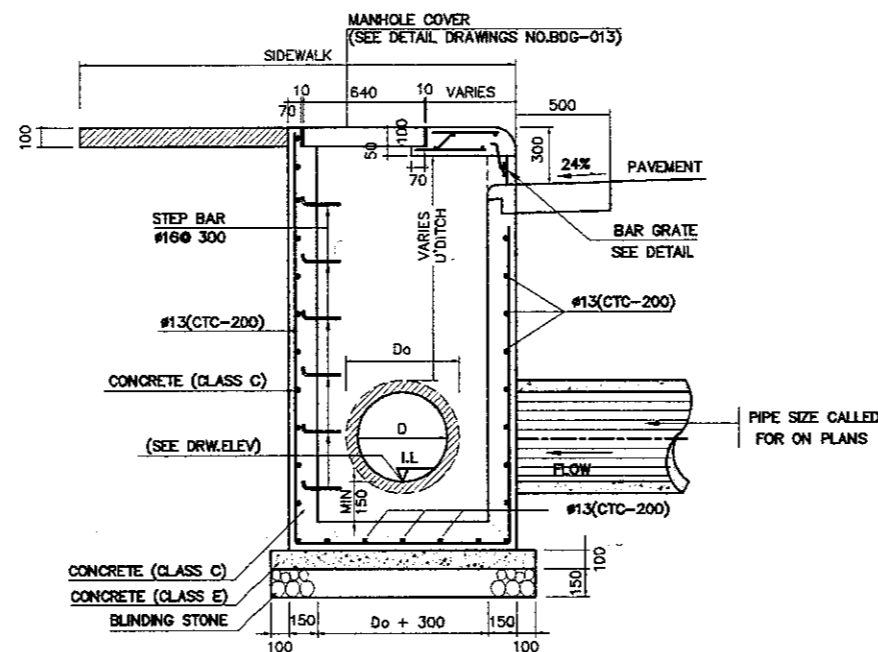
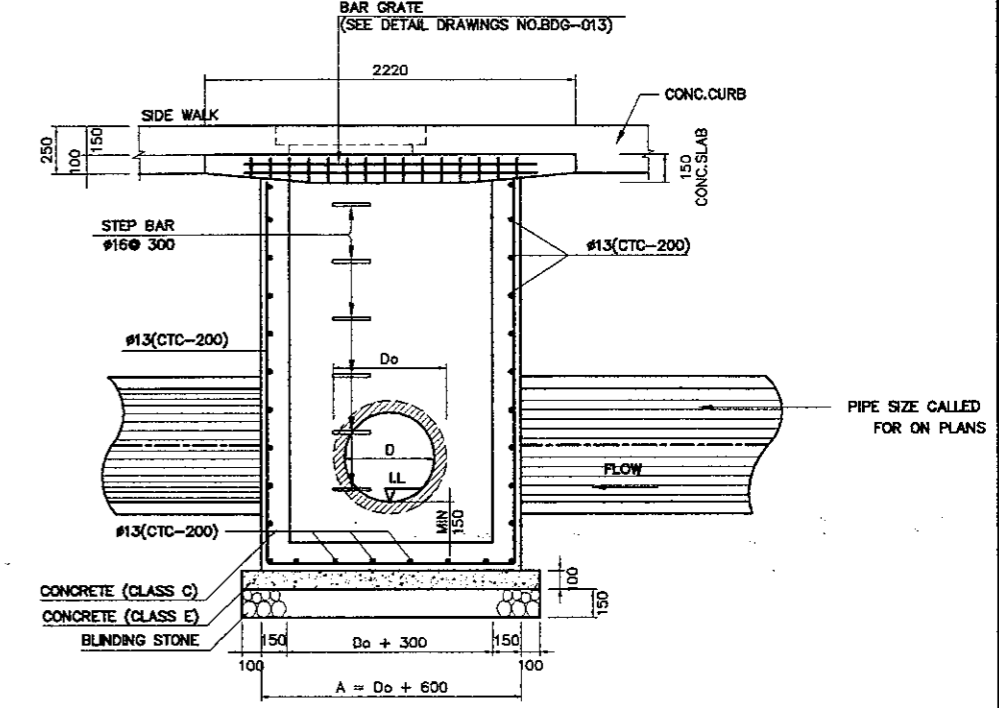


4 PLAN
 SCALE 1:40

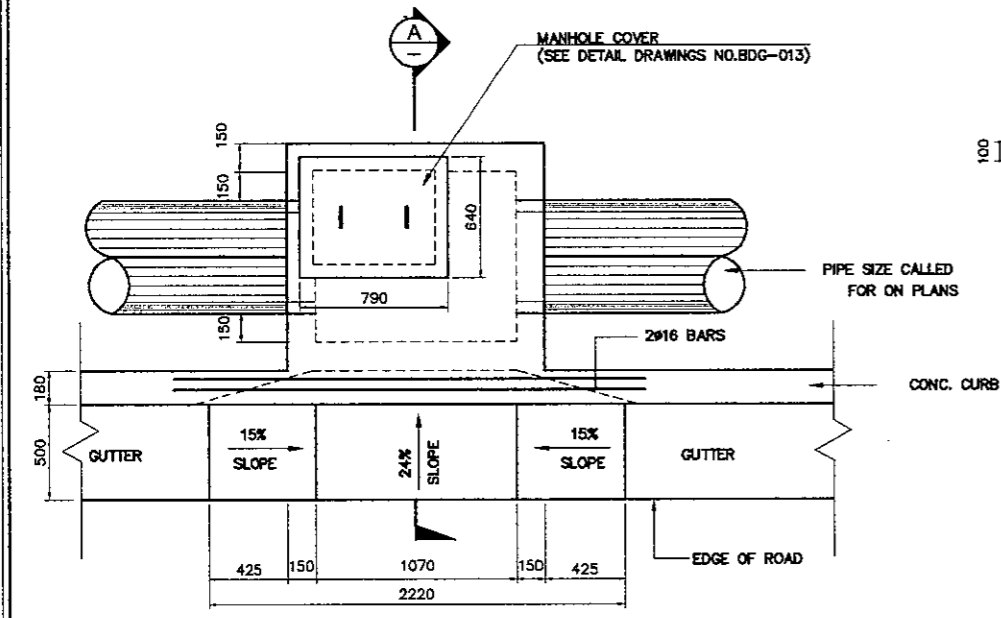


4A SECTION
 SCALE 1:40

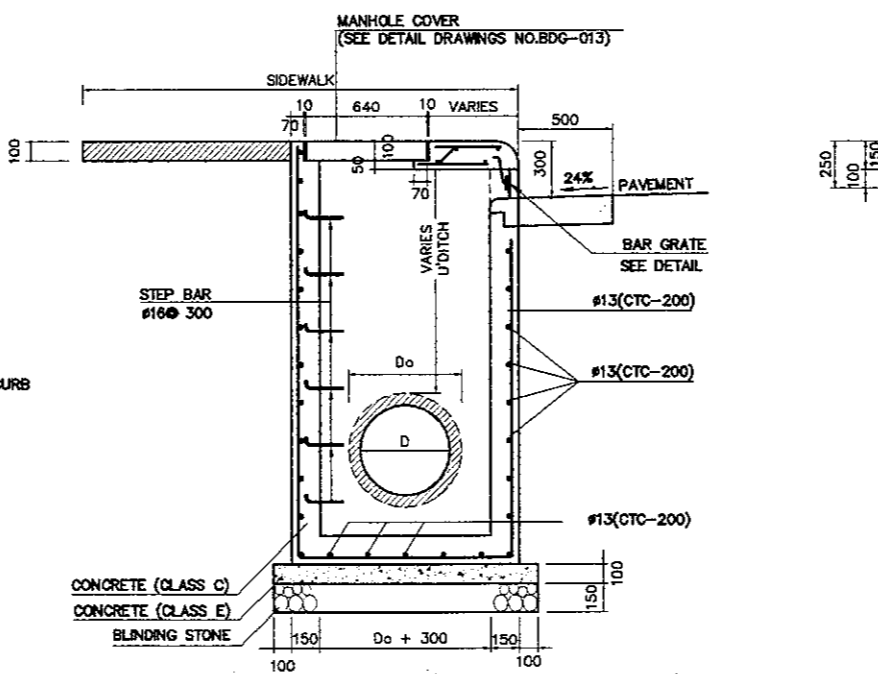


4B FRONT ELEVATION
 SCALE 1:40

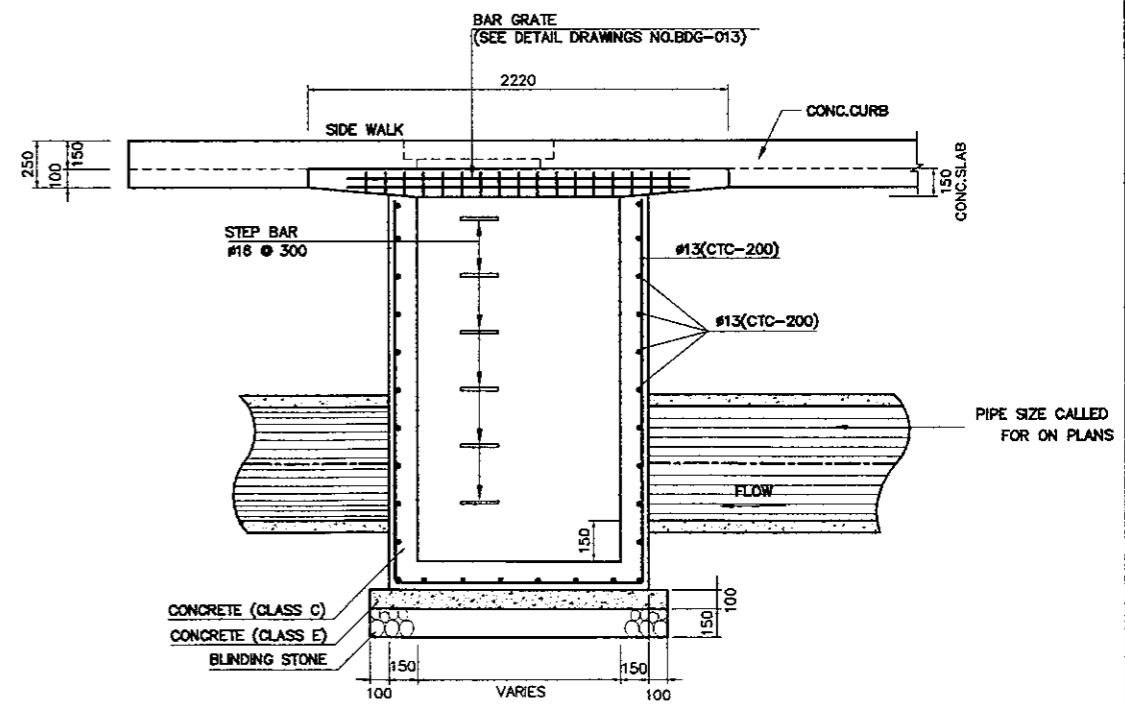
IV MANHOLE TYPE - IV



3 PLAN
 SCALE 1:40

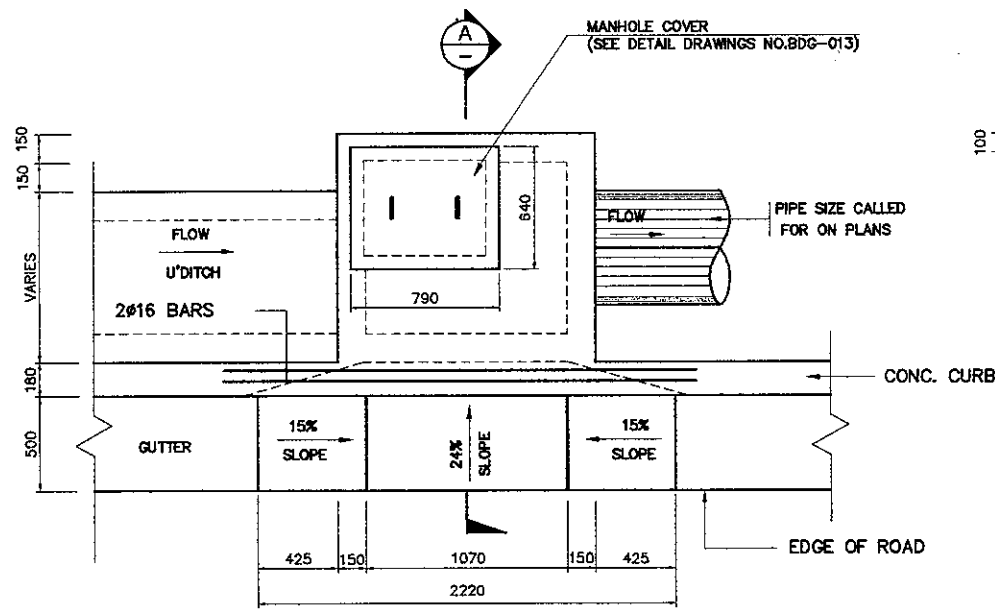


3A SECTION
 SCALE 1:40

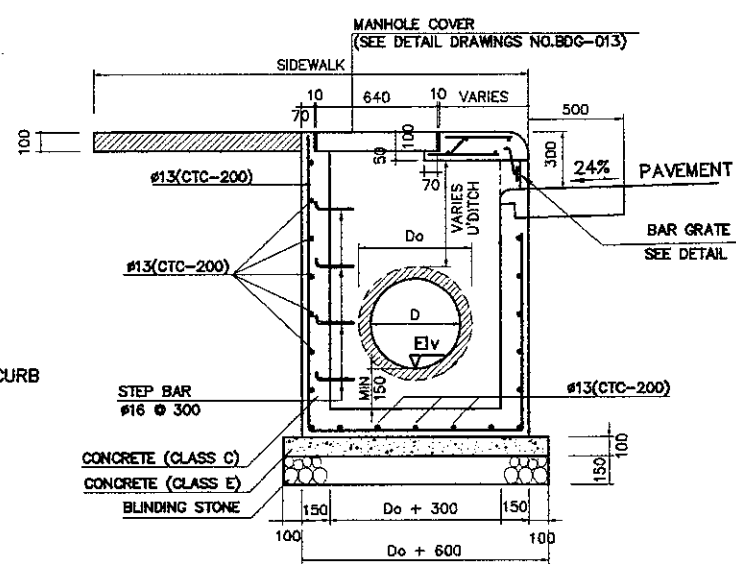


3B FRONT ELEVATION
 SCALE 1:40

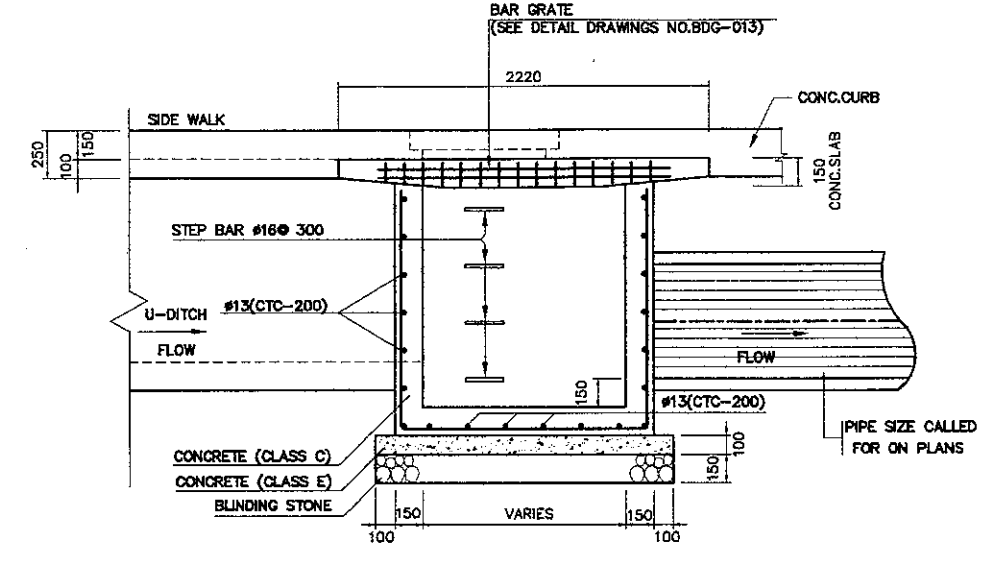
III MANHOLE TYPE - III



6 PLAN
 SCALE 1:40

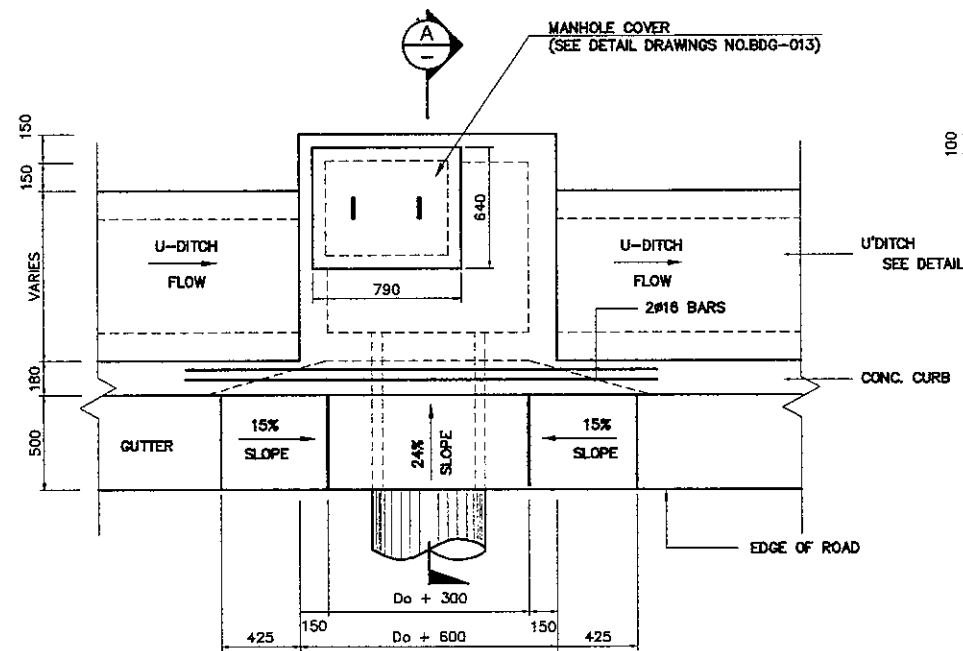


6A SECTION
 SCALE 1:40

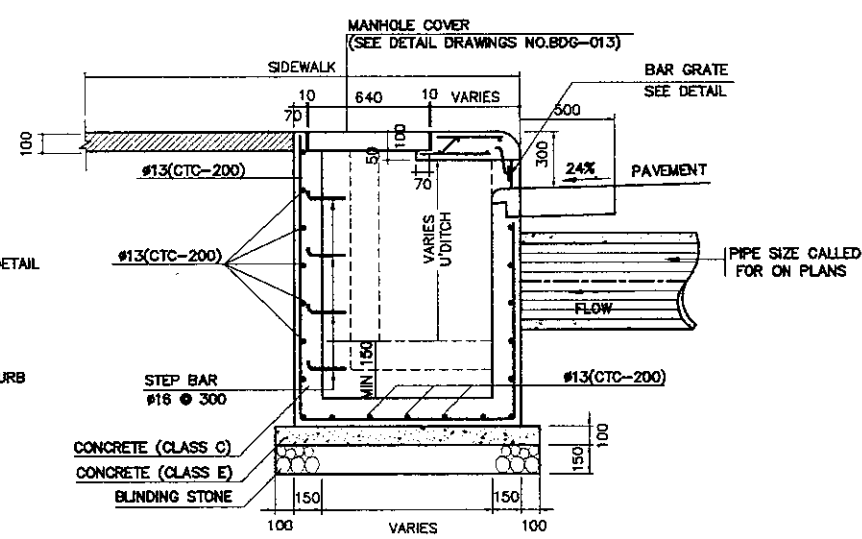


6B FRONT ELEVATION
 SCALE 1:40

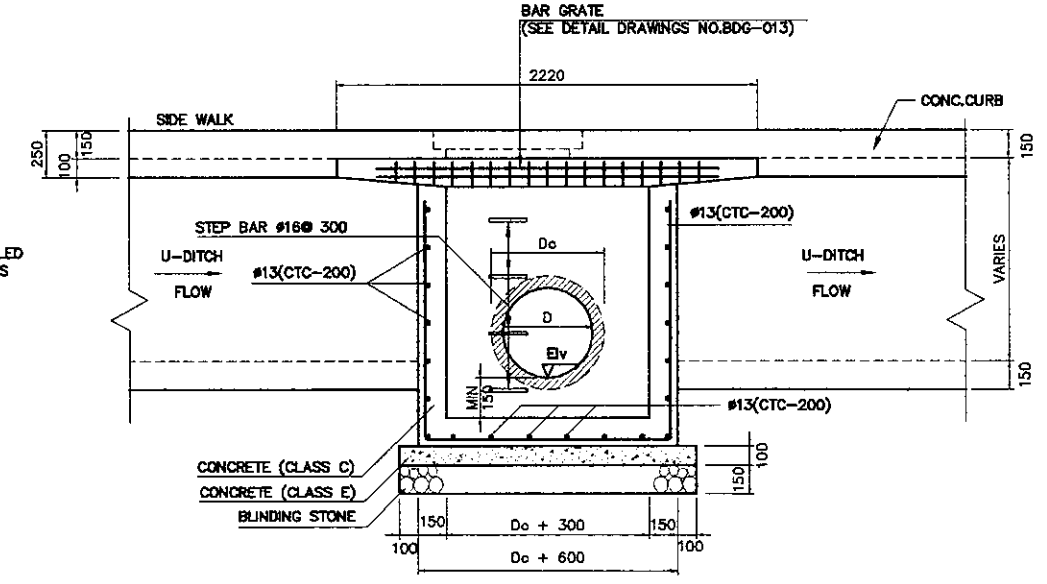
VI MANHOLE TYPE - VI



5 PLAN
 SCALE 1:40

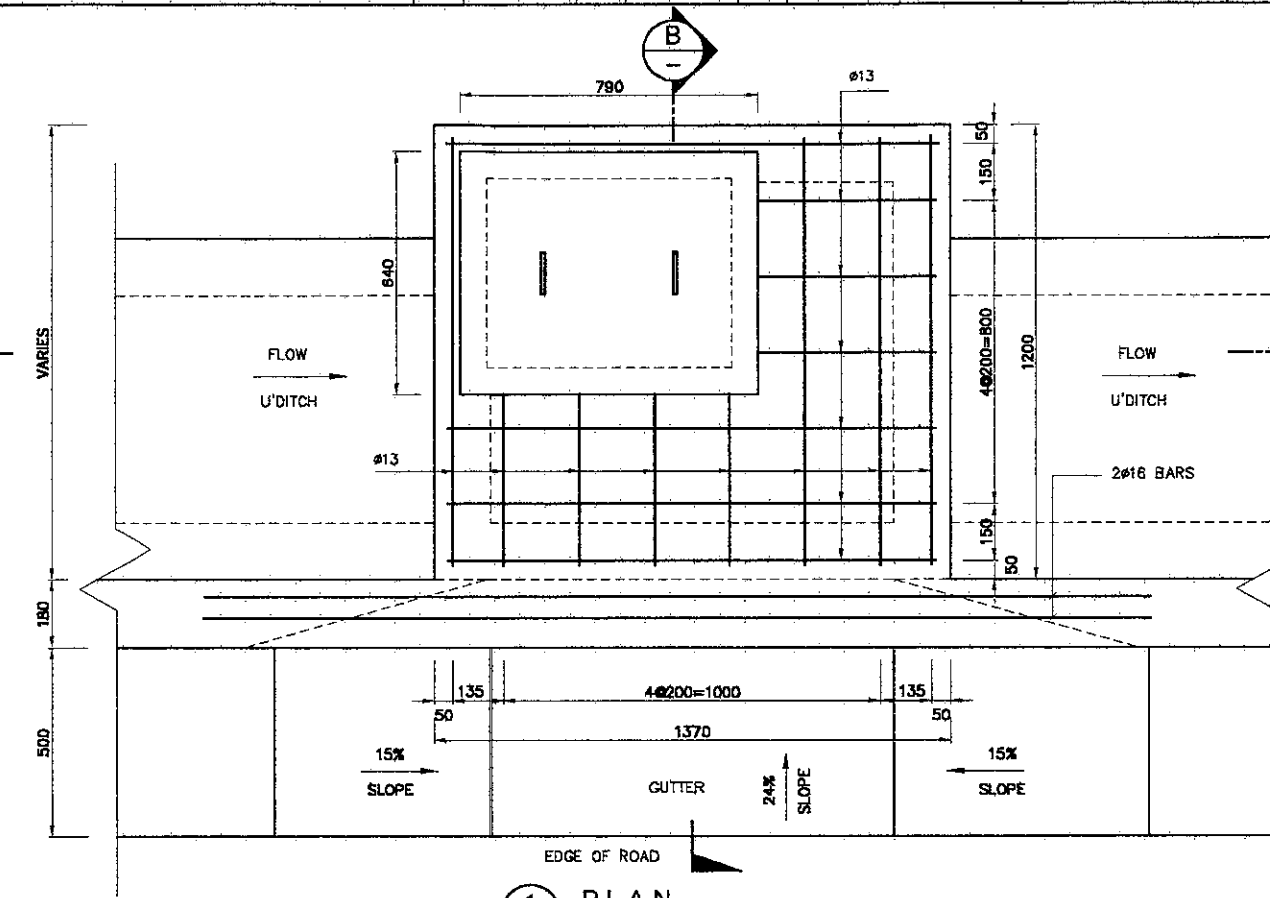


5A SECTION
 SCALE 1:40

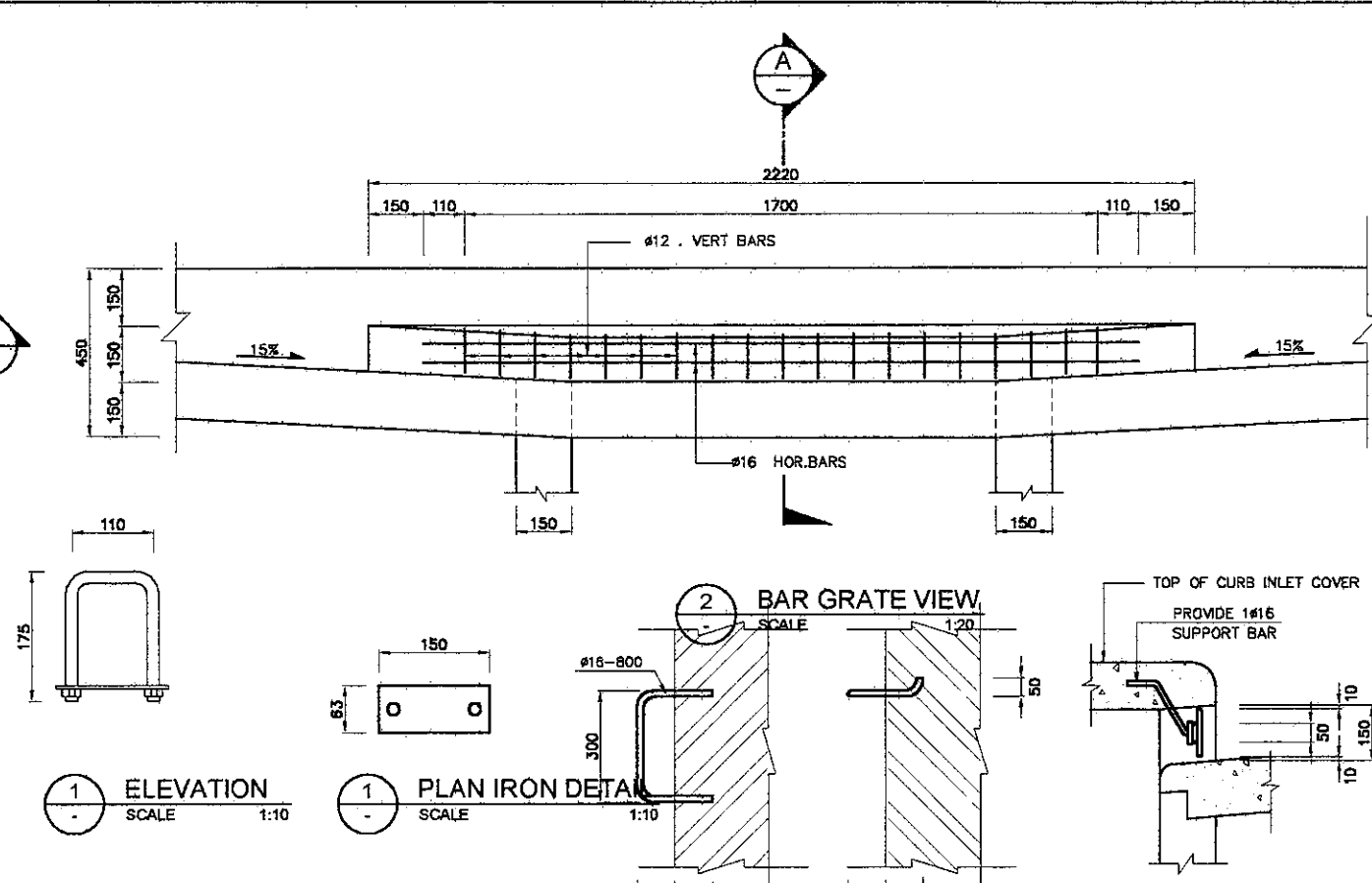


5B FRONT ELEVATION
 SCALE 1:40

V MANHOLE TYPE - V



1 PLAN
 SCALE 1:20

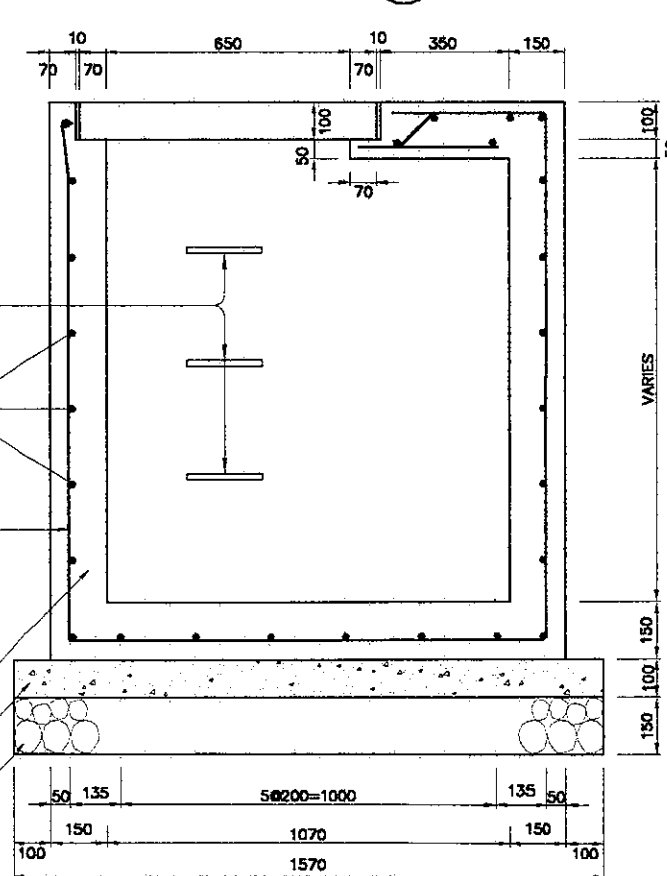


1 ELEVATION
 SCALE 1:10

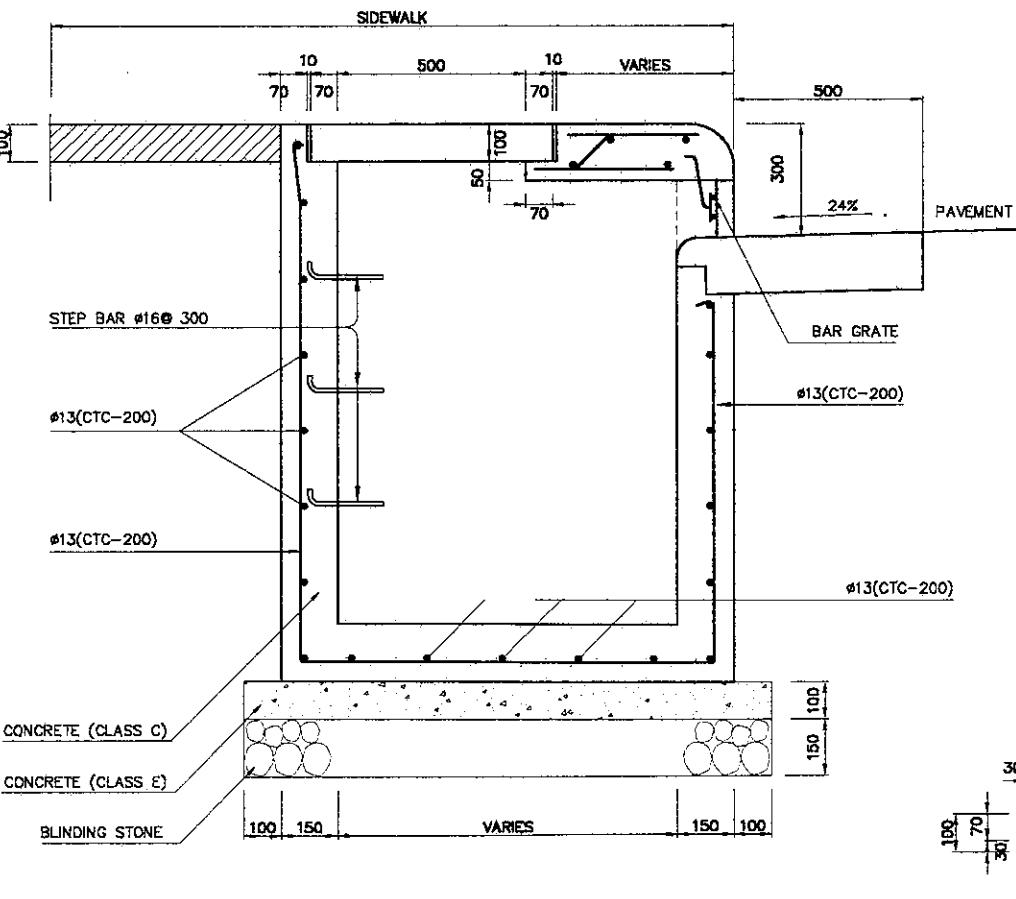
1 PLAN IRON DETAIL
 SCALE 1:10

2 BAR GRATE VIEW
 SCALE 1:20

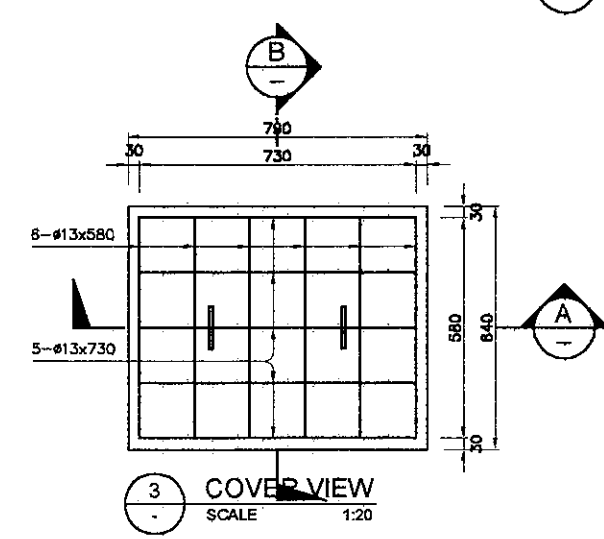
2A SECTION
 SCALE 1:20



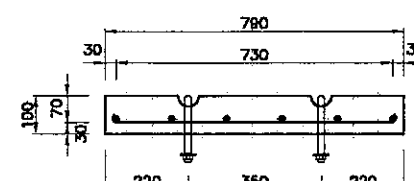
1A SECTION
 SCALE 1:20



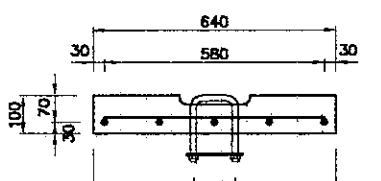
1B SECTION
 SCALE 1:20



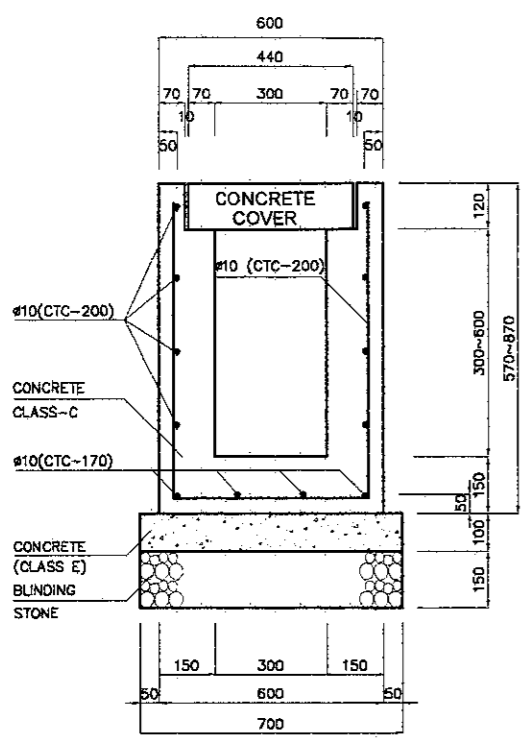
3 COVER VIEW
 SCALE 1:20



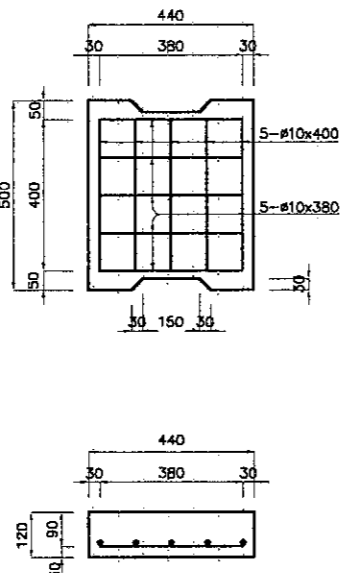
3B SECTION
 SCALE 1:20



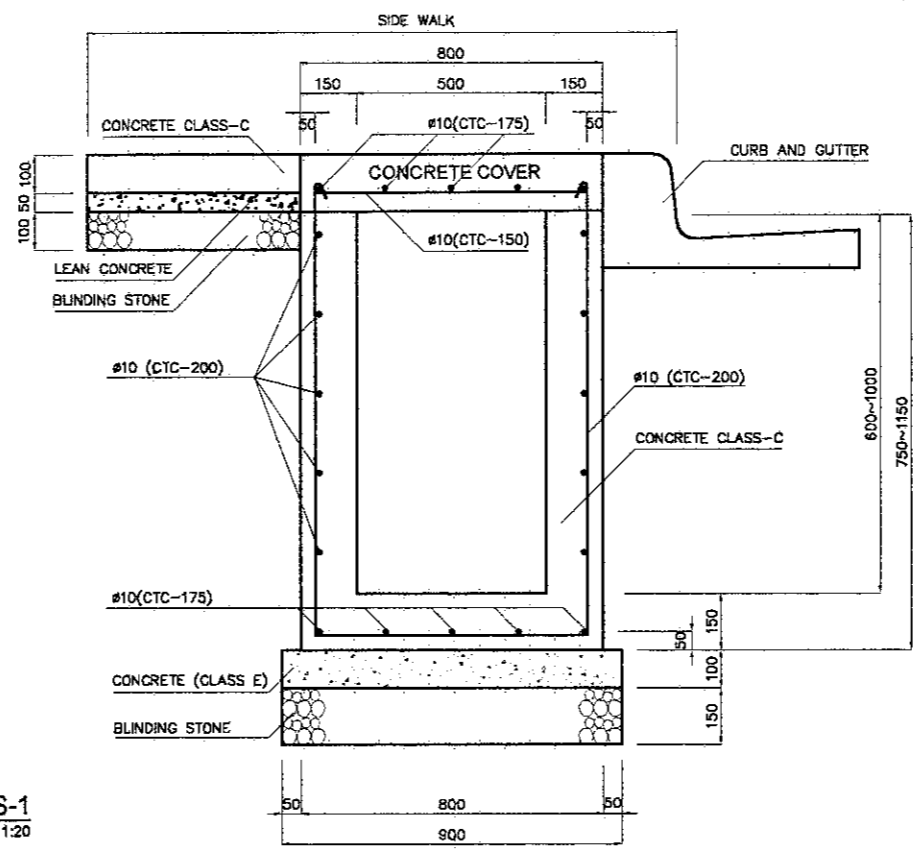
3A SECTION
 SCALE 1:20



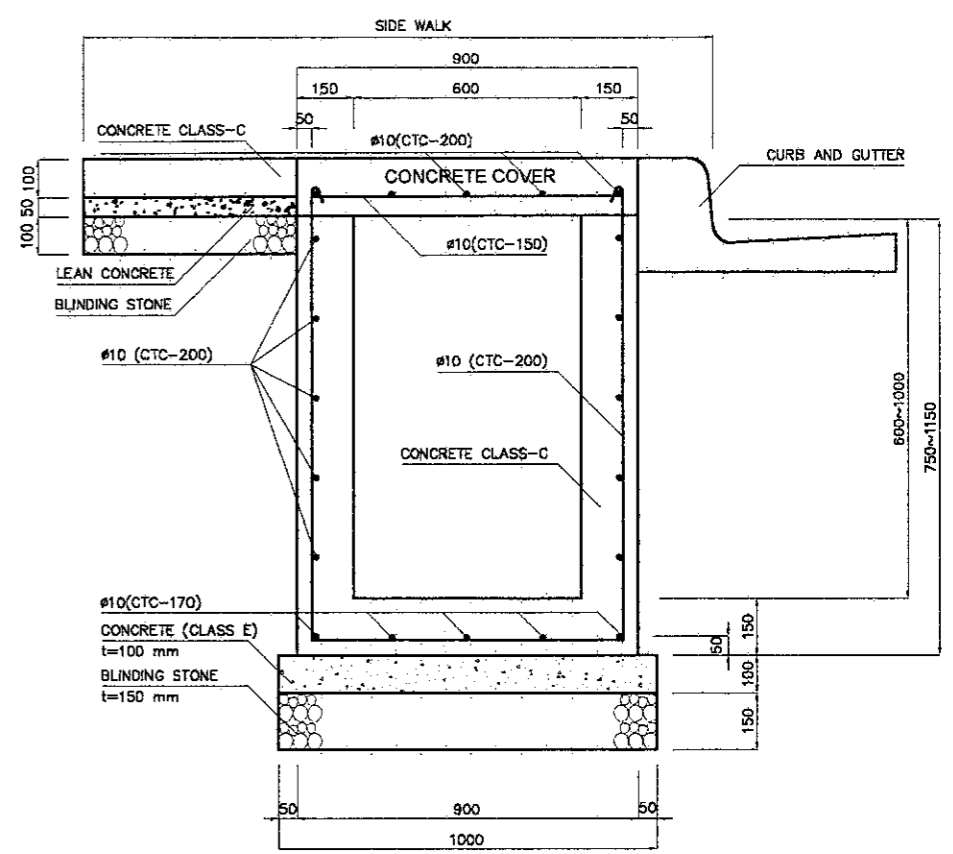
1 DS - 1
 SCALE 1:20



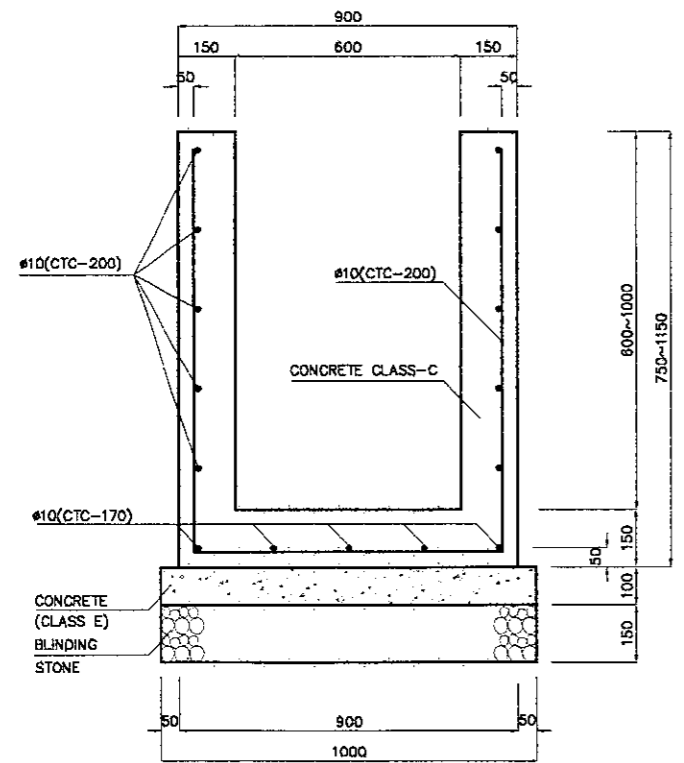
1A CONCRETE COVER FOR DS-1
 SCALE 1:20



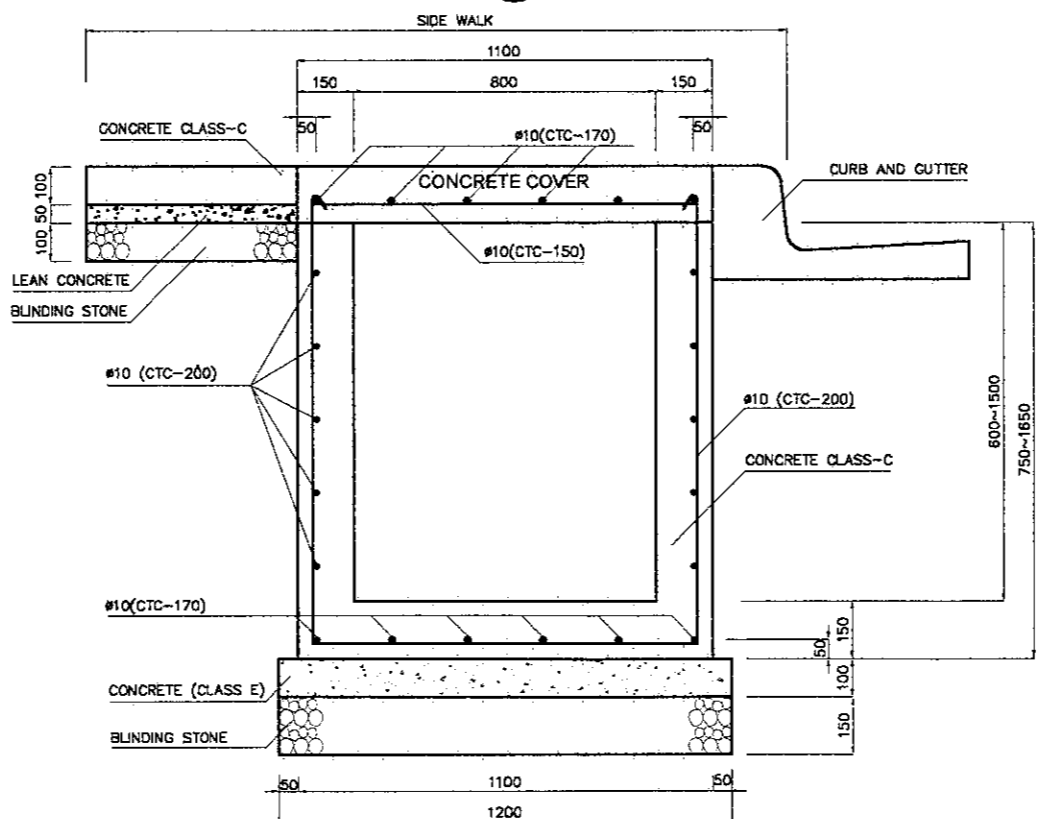
2 DS - 2
 SCALE 1:20



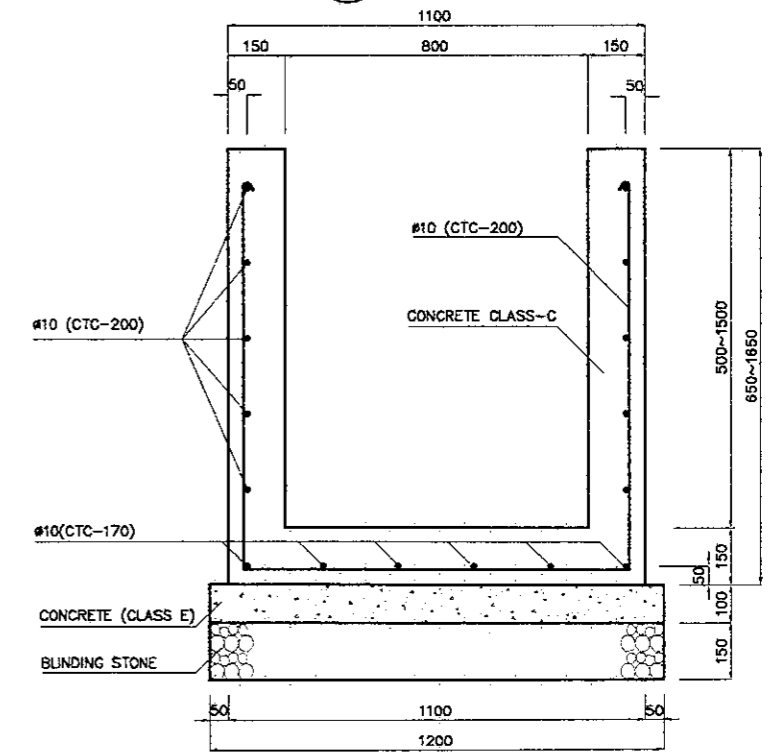
3 DS - 3
 SCALE 1:20



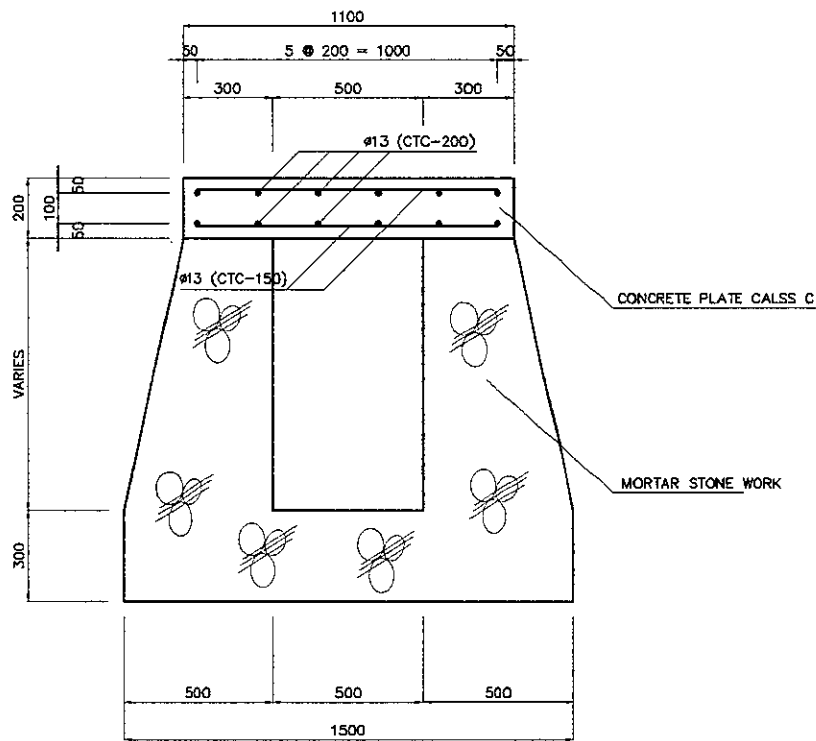
4 DS - 3A
 SCALE 1:20



5 DS - 4
 SCALE 1:20

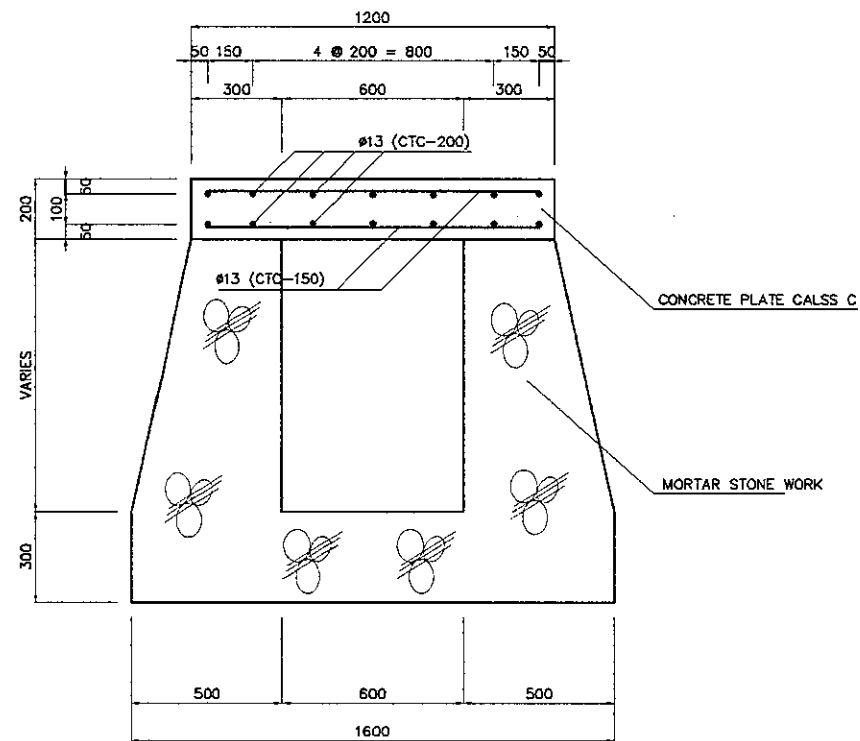


6 DS - 4A
 SCALE 1:20



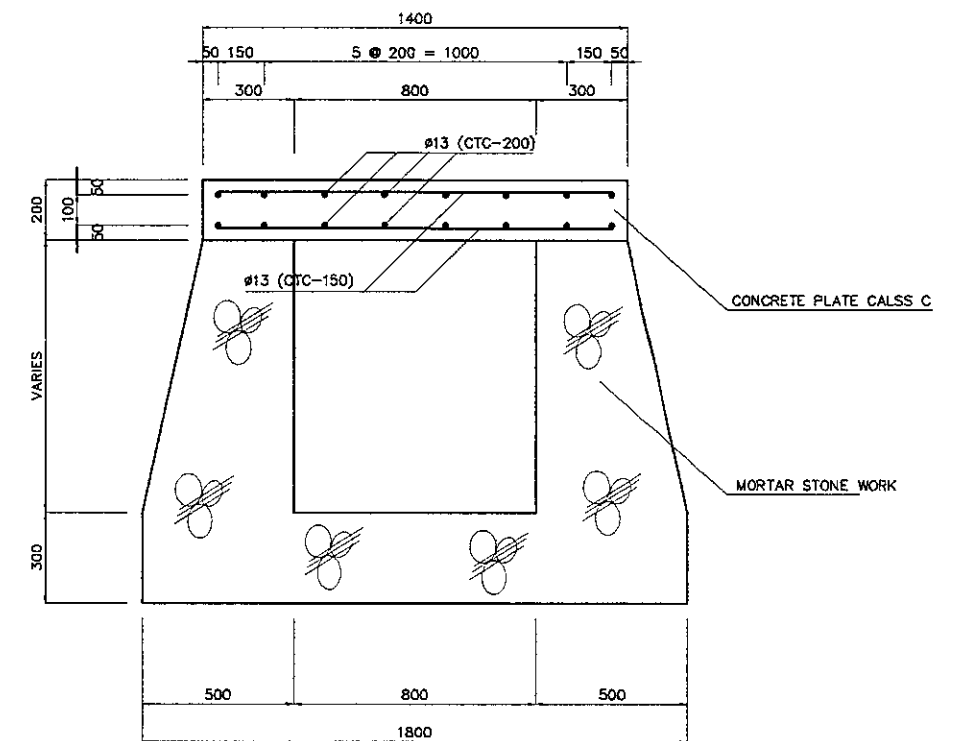
1 MORTAR STONE WORK TYPE - I

 SCALE 1:25



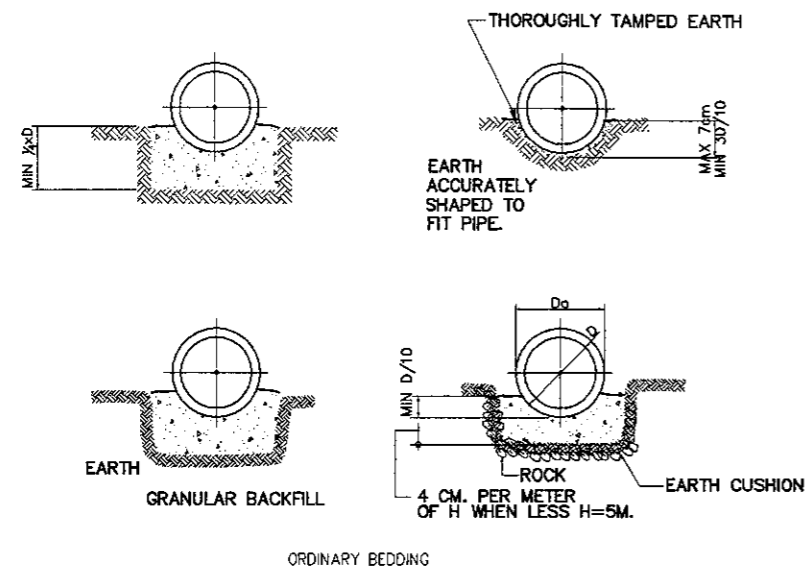
2 MORTAR STONE WORK TYPE - II

 SCALE 1:25

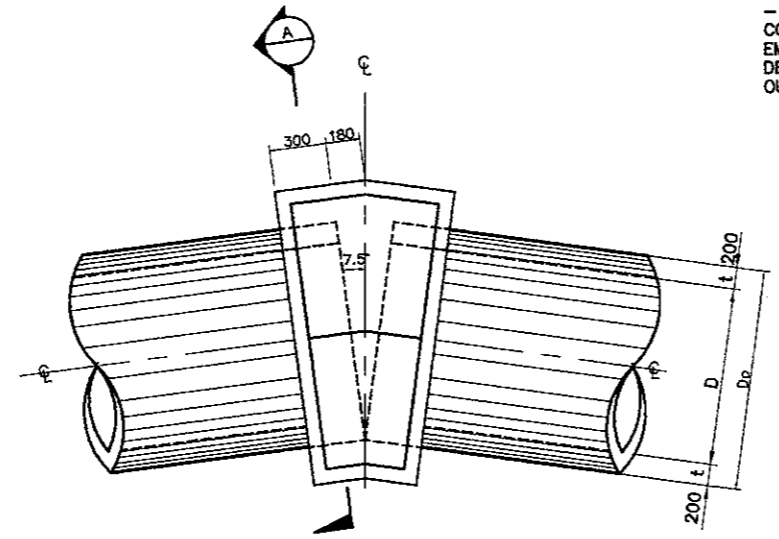


3 MORTAR STONE WORK TYPE - III

 SCALE 1:25

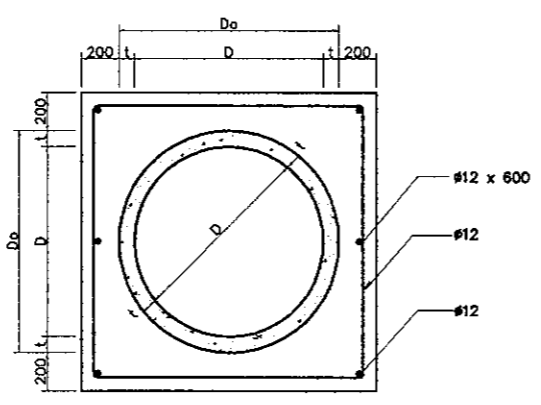


1 TYPICAL BEDDING FOR PROJECTING CONDUITS
 SCALE NTS



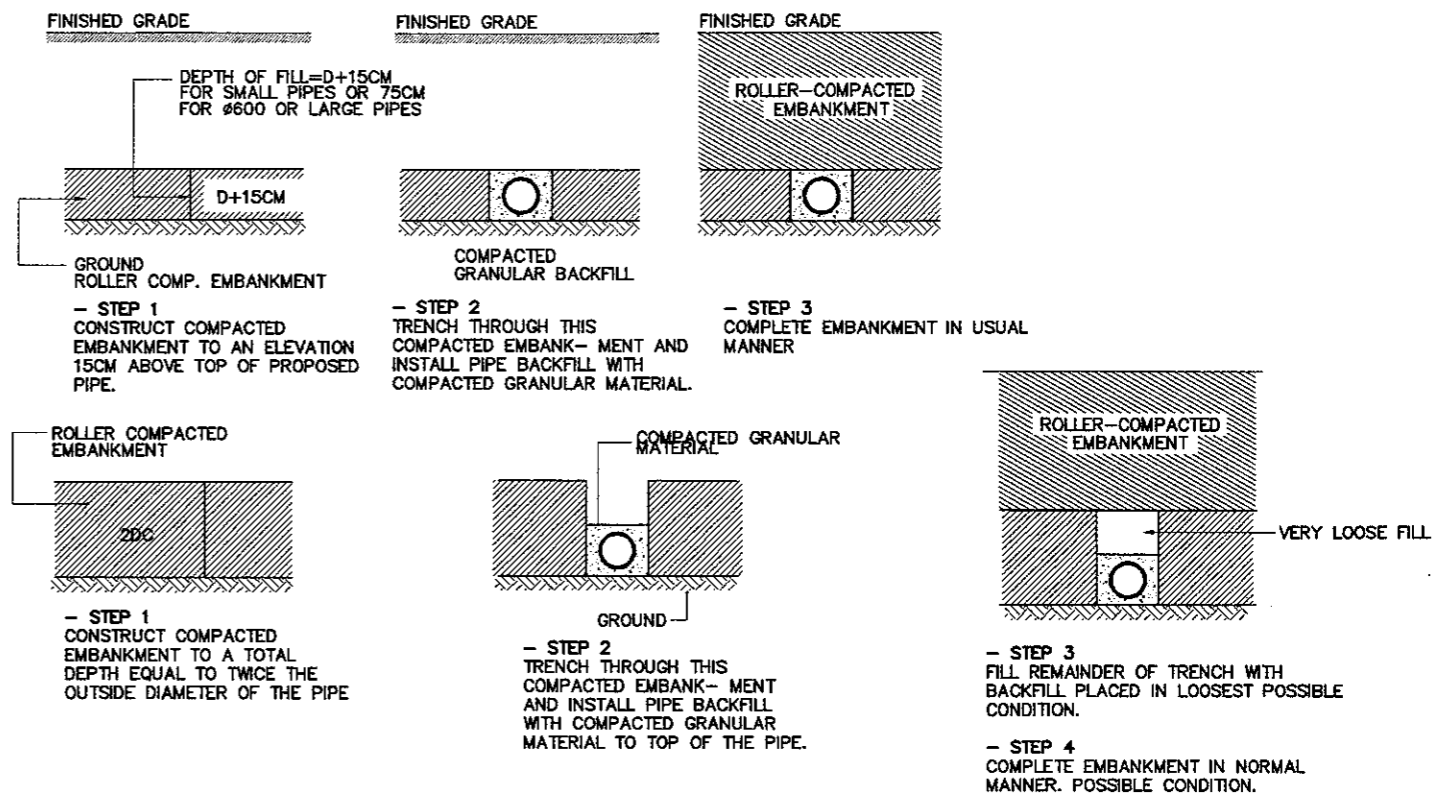
3 PLAN
 SCALE 1:20

STANDARD CONCRETE PIPE COLLAR		
PIPE DIAMETER (MM.)	CONCRETE (CU.M.)	REBARS (KG.)
460	0.493	8.5
610	0.656	10.0
760	0.842	11.0
910	1.056	12.5
1070	1.314	16.5
1220	1.586	19.0
1370	1.914	20.8
1520	2.241	22.5

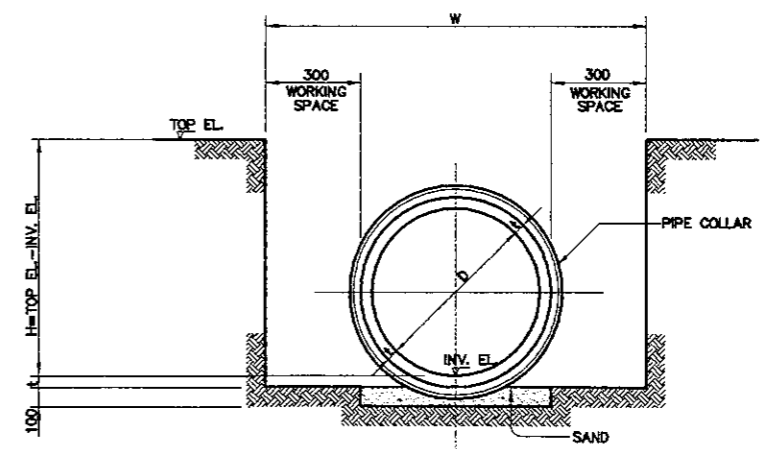


3A SECTION
 SCALE 1:20

3 PIPE COLLAR AT BEND DETAILS
 SCALE 1:20



2 METHODS OF PIPE INSTALLATION FOR FILL AREAS
 SCALE NTS

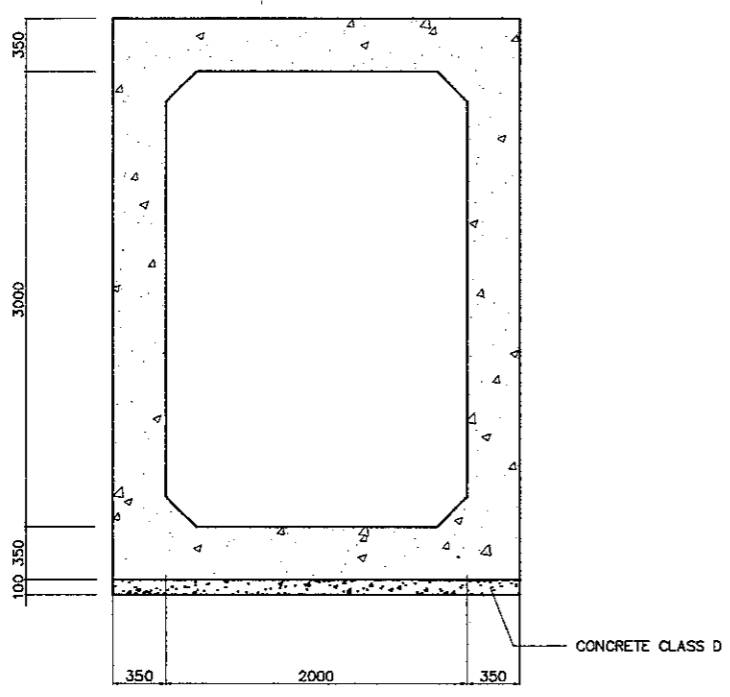


4 FRONT VIEW
 SCALE 1:20

4 TRENCHING AND BEDDING DETAILS FOR CUT AREAS
 SCALE 1:20

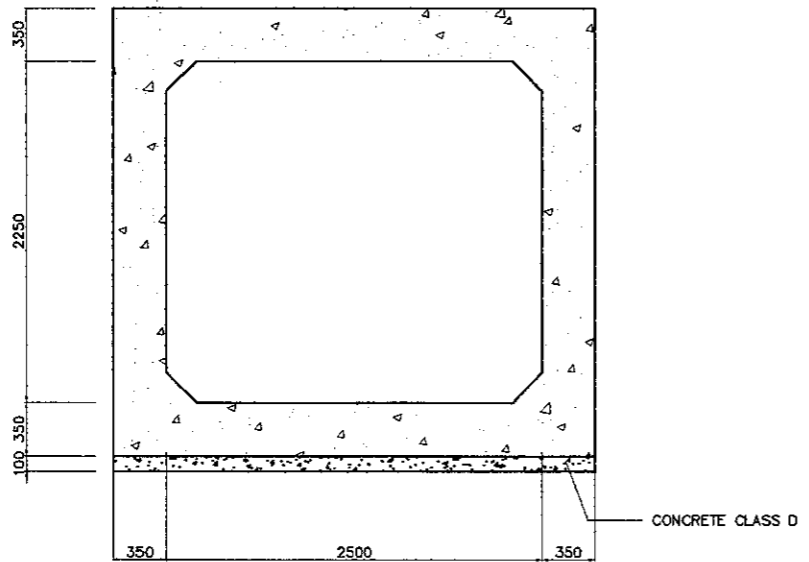
NOTES:
 1. ALL DIMENSIONS SHOWN ON THIS PLAN ARE IN MILLIMETER UNITS OTHERWISE INDICATED.
 2. D = INTERNAL DIAMETER.

DESIGNED BY		CHECKED BY		SUBMITTED BY	
Name	R. UENO	Name	T. OKUMURA	Name	M. KIUCHI
Sign		Sign		Sign	
Date		Date		Date	



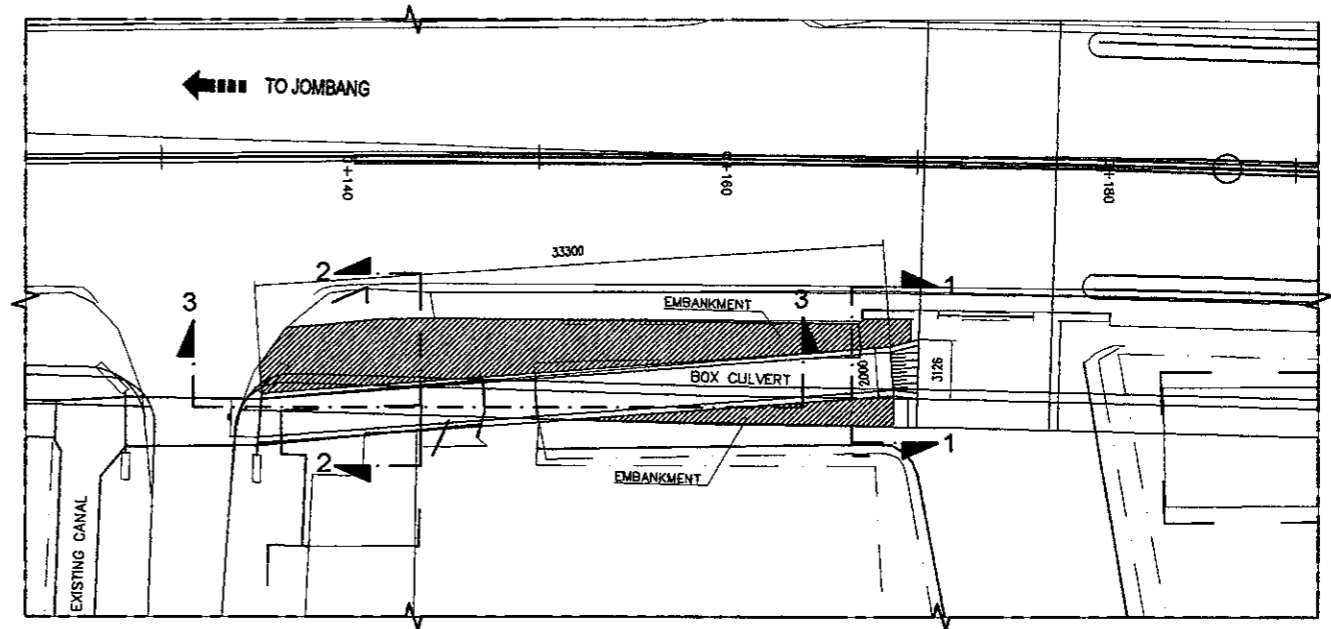
2 SECTION 1-1

 SCALE 1:50



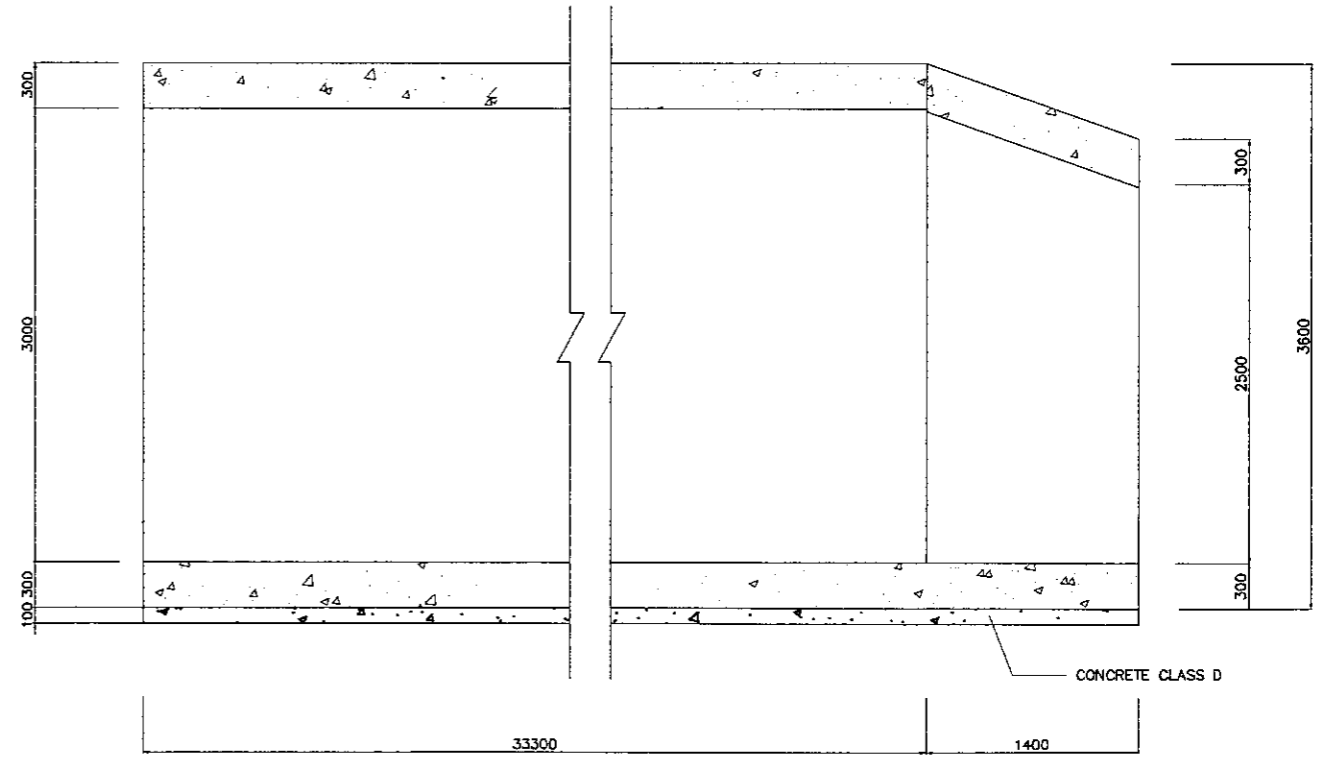
3 SECTION 2-2

 SCALE 1:50



1 PLAN STA 0+140 - STA 0+160

 SCALE 1:200

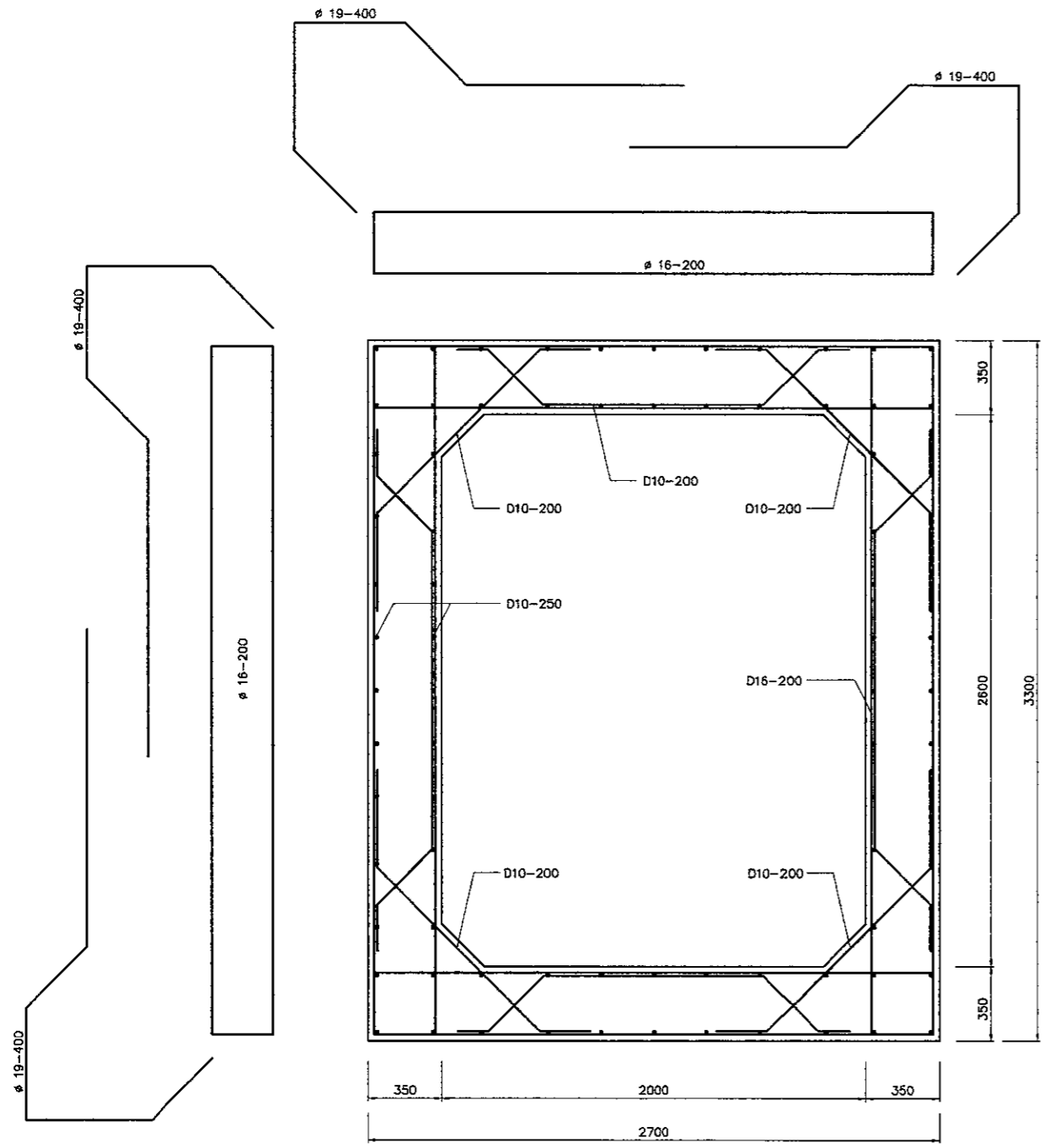


4 SECTION 3-3

 SCALE 1:50

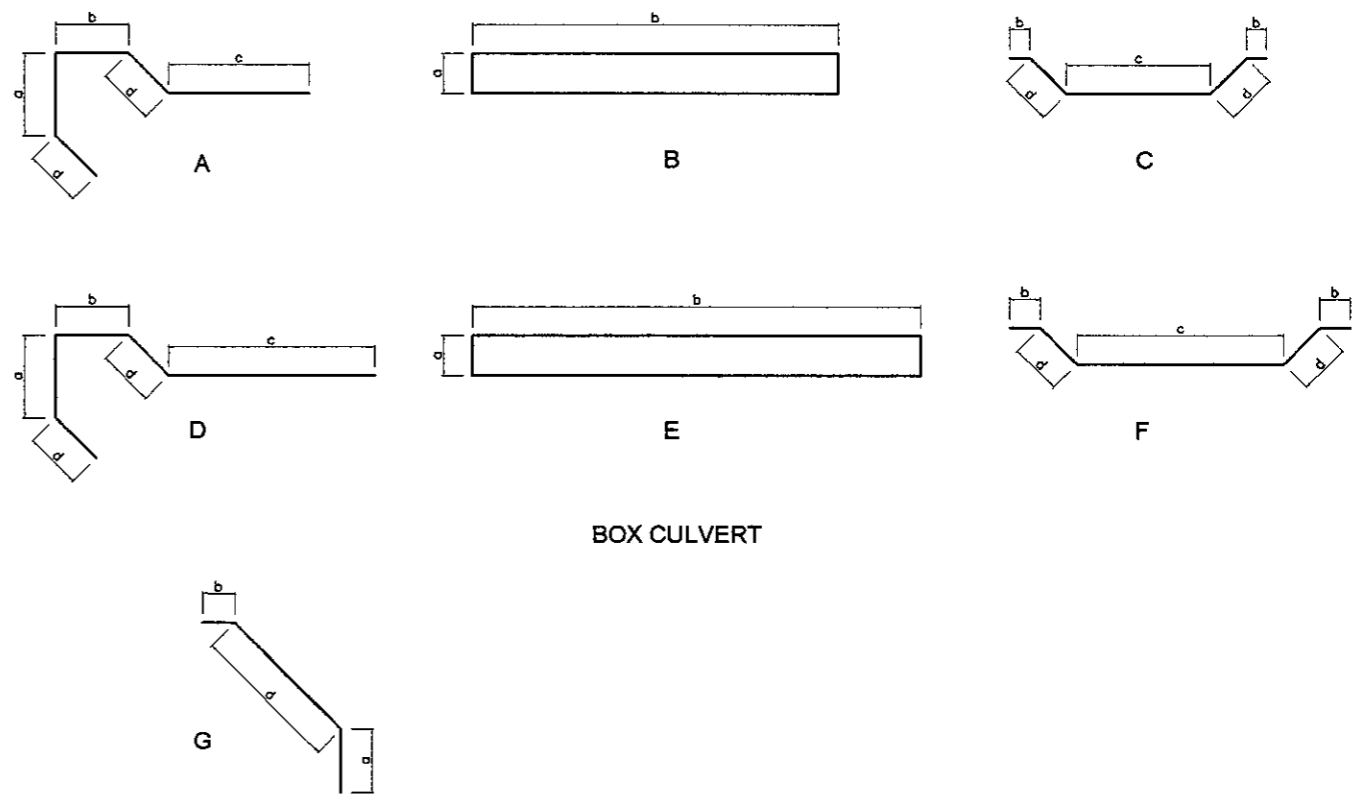
NOTE : CONCRETE CLASS FOR BOX CULVERT K225

DESIGNED BY		CHECKED BY		SUBMITTED BY	
Name	R. UENO	Name	T. OKUMURA	Name	M. KIUCHI
Sign		Sign		Sign	
Date		Date		Date	



REINFORCEMENT BAR ARRAGEMENT DOUBLE BOX CULVERT PER M LENGTH

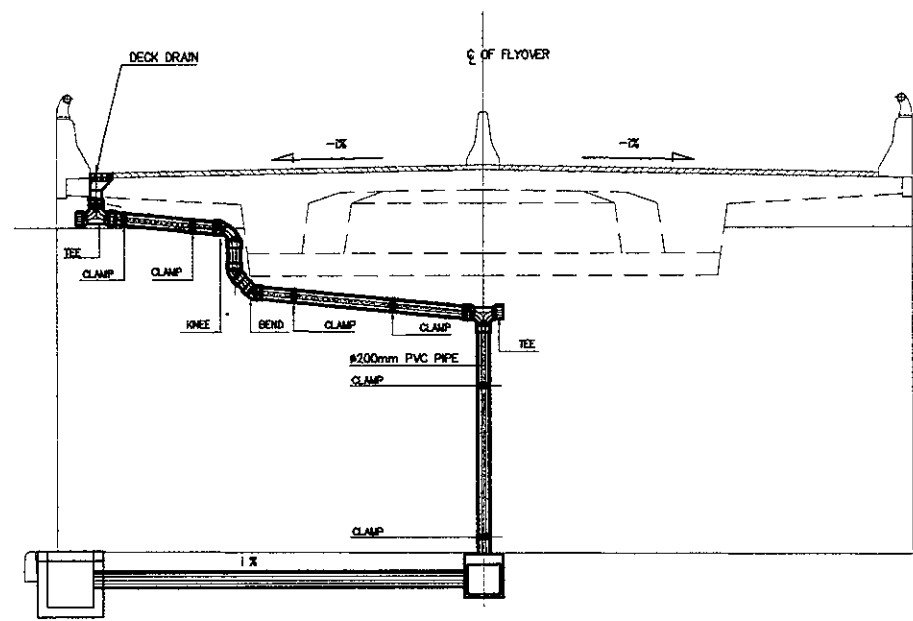
STRUCTURE	TYPE	Ø (MM)	LENGTH (CM)				TOTAL LENGTH (CM)	NUMBER	UNIT WEIGHT (KG/M)
			a	b	c	d			
BOX CULVERT PER METER LENGTH	A	19	60	53	124	82	401	12	2.23
	B	16	58	530			1178	12	1.58
	C	10		29	104	74	310	12	0.62
	D	19	60	52	150	82	428	12	2.23
	E	16	58	648			1412	12	1.58
	F	10		44	150	74	386	12	0.62
	G	10	46	23		108	177	24	0.62
	H	10	100				100	80	0.62



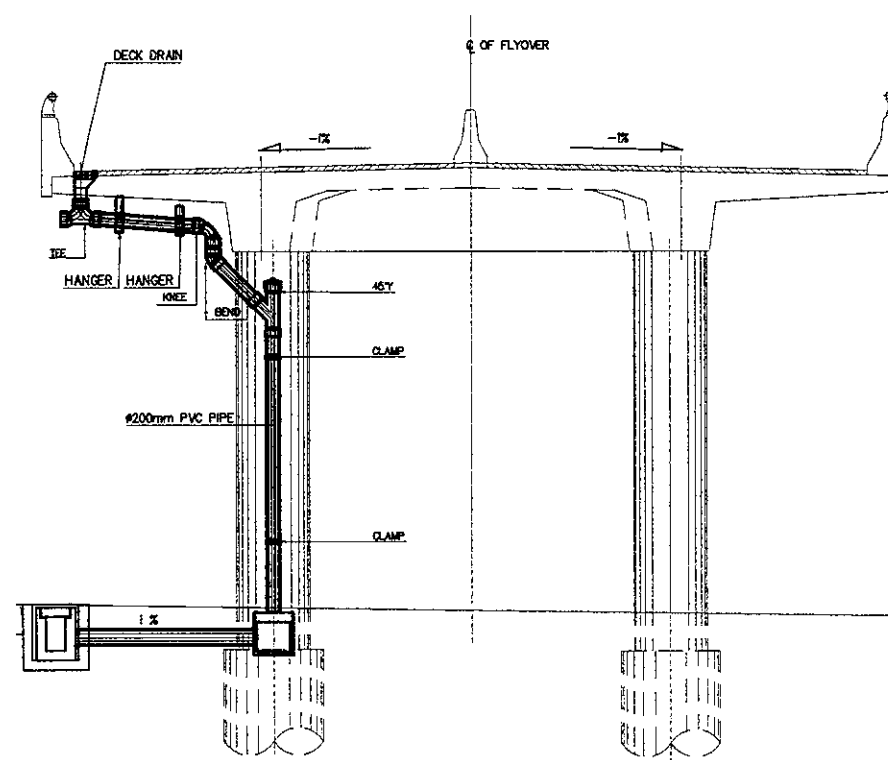
1

 DETAIL REINFORCEMENT

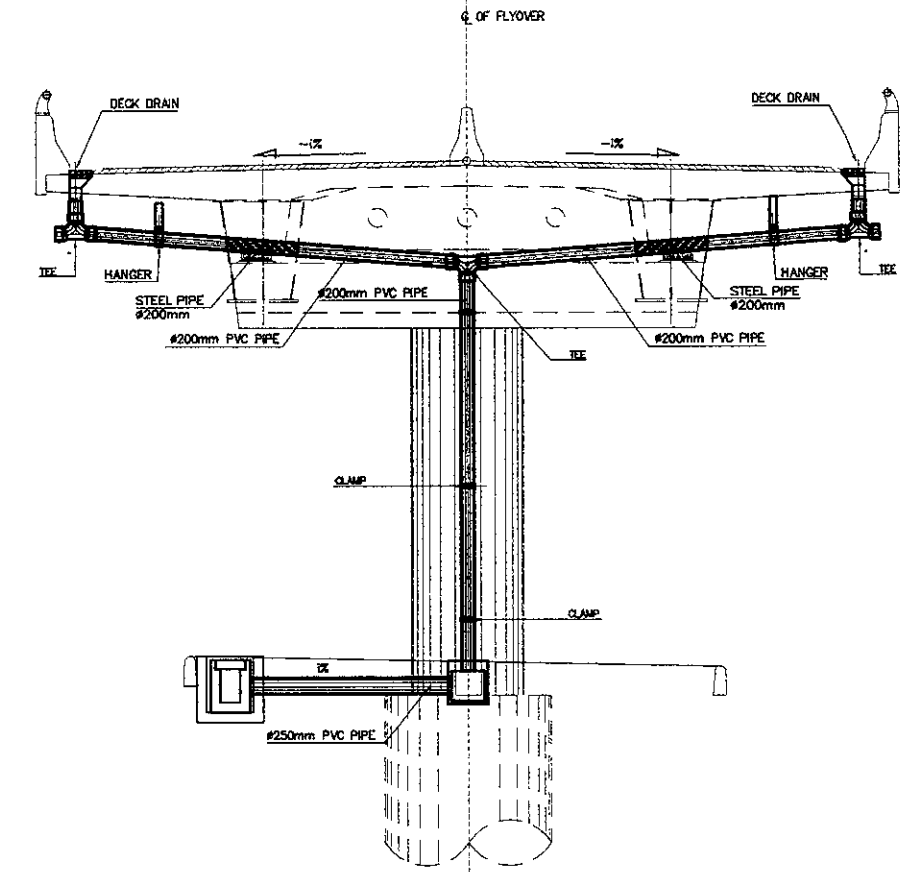
 SCALE 1:30



1 FRONT VIEW OF ABUTMENT
 NTS



1 FRONT VIEW OF PC SECTION
 NTS



1 FRONT VIEW OF STEEL SECTION
 NTS

DRAINAGE SCHEDULE

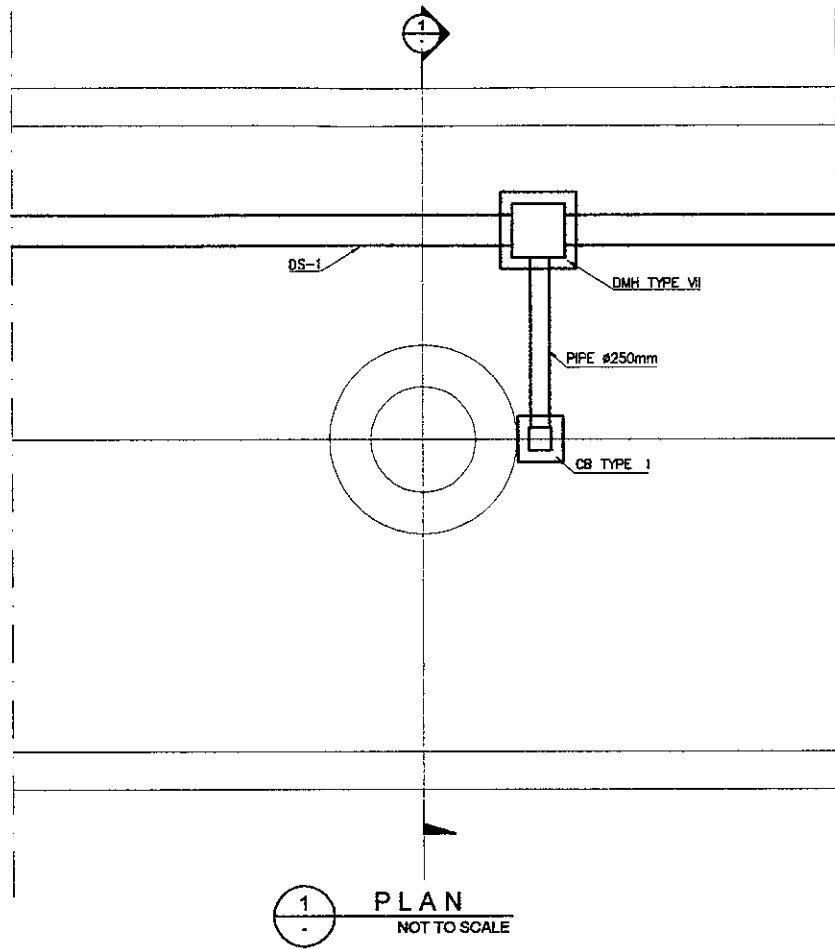
BRIDGE TYPE	ABUTMENT/PIER NO	STATION LIMIT	LEFT SIDE		RIGHT SIDE		PIPE #200mm (m)	ACCESSORIES				
			APPLIED HORIZONTAL DRAIN		APPLIED HORIZONTAL DRAIN			BEND (unit)	TEE (unit)	KNEE (unit)	45Y (unit)	CLEAN OUT (unit)
			TYPE OF DRAIN	LENGHT (m)	LENGHT (m)	TYPE OF DRAIN						
PC	A1	0+343.00			1	1	13.6	4	1	2	0	2
	P1	0+363.00	NONE	NONE	1	1	14.6	2	2	2	2	2
	P2	0+383.00			1	1	16.4	2	2	2	2	2
	P3	0+403.00			1	1	17.8	2	2	2	2	2
STEEL	P4	0+423.00			1	1	25.00					2
	P5	0+448.00				1	16.00					1
	P6	0+480.00				1	16.00					1
	P7	0+505.00				1	25.00					1
PC	P8	0+525.00				1	8.8	1	1	1	1	1
	P9	0+545.00				1	8.2	1	1	1	1	1
	P10	0+565.00				1	7.6	1	1	1	1	1
	P11	0+585.00				1	6.8	1	1	1	1	1
	A2	0+605.00				1	8.3	2	1	1	0	1

APPROACH 1

STA	DECK DRAIN TYPE II	POSITION		PIPE		ACCESSORIES	
		LEFT	RIGHT	SIZE (φ,mm)	LENGHT (m)	KNEE (unit)	TEE 250X200 (unit)
0+224.50	DD-1R/DD-1L	1	1	200	1.04	2	0
0+244.50	DD-2R/DD-2L	1	1	200	3.06	2	0
0+264.50	DD-3R/DD-3L	1	1	200	4.78	2	0
0+284.50	DD-4R/DD-4L	1	1	200	6.26	2	0
0+304.50	DD-5R/DD-5L	1	1	200	7.84	2	0
0+324.50	DD-6R/DD-6L	1	1	200	9.56	2	0

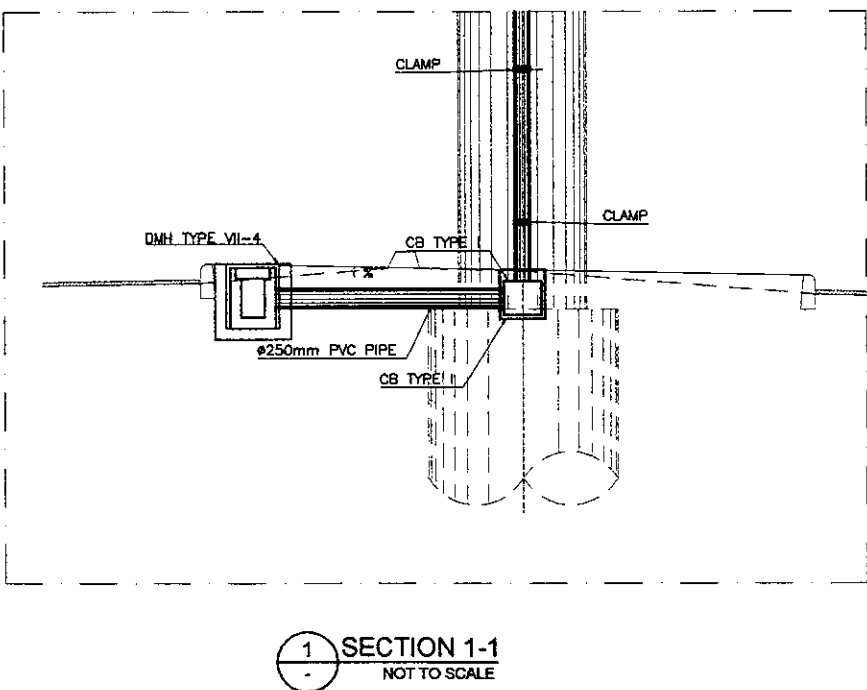
APPROACH 2

STA	DECK DRAIN TYPE II	POSITION		PIPE		ACCESSORIES	
		LEFT	RIGHT	SIZE (φ,mm)	LENGHT (m)	KNEE (unit)	TEE 250X200 (unit)
0+625.50	DD-9R	0	1	200	4.92	1	0
0+645.50	DD-8R	0	1	200	4.12	1	0
0+665.50	DD-7R	0	1	200	3.33	1	0
0+685.50	DD-6R	0	1	200	2.53	1	0
0+705.50	DD-5R	0	1	200	2.30	1	0
0+725.50	DD-4R	0	1	200	2.30	1	0
0+745.50	DD-3R	0	1	200	0.95	1	1
0+765.50	DD-2R	0	1	200	0.42	1	1
0+785.50	DD-1R	0	1	200	0.48	1	1



DRAINAGE SCHEDULE

FROM MH	TO MH	LOCATION	LENGTH (m)	U'DITCH/PIPE SLOPE(%)	INVERT ELEV. (m)		REMARKS
					UPSTREAM	DOWNSTREAM	
CB TYPE I-4	CB TYPE I-5	P2-P2	5,7	1,00	31,290	31,232	PIPE #250
CB TYPE I-5	DMH TYPE VII-3	P2-A2	2,4	1,00	31,232	31,208	PIPE #250
DMH TYPE VII-3	DMH TYPE VII-2	P2-P1	19	0,50	31,208	31,113	U'DITCH DS 1
CB TYPE I-2	CB TYPE I-3	P1-P1	5,7	1,00	31,200	31,143	PIPE #250
CB TYPE I-3	DMH TYPE VII-2	P1-P1	3	1,00	31,143	31,113	PIPE #250
DMH TYPE VII-2	DMH TYPE VII-1	P1-A1	20	0,50	31,113	31,018	U'DITCH DS 1
CB TYPE I-1	DMH TYPE VII-1	A1-A1	6,5	1,00	31,083	31,018	PIPE #250
DMH TYPE VII-1	DMH-13	A1-A1	5,4	2,00	31,018	30,918	RCP #600 (B)
CB TYPE I-8	DMH TYPE VII-5	P4-P4	2,2	2,00	31,812	31,588	PIPE #250
DMH TYPE VII-5	DMH TYPE VII-4	P4-P3	18,7	1,00	31,568	31,381	U'DITCH DS 1
CB TYPE I-6	CB TYPE I-7	P3-P3	5,7	0,50	31,435	31,406	PIPE #250
CB TYPE I-7	DMH TYPE VII-4	P3-P3	2,5	1,00	31,406	31,381	PIPE #250
DMH TYPE VII-4	DMH-18	P3-P3	5,6	2,00	31,381	31,281	RCP #600 (B)
DMH TYPE VII-6	DMH-20	P5-P5	12	2,00	31,800	31,750	RCP #600 (B)
DMH TYPE VII-7	DMH-65	P6-P6	11,5	2,00	31,700	31,588	RCP #600 (B)
CB TYPE I-9	DMH TYPE VII-8	P7-P7	2,4	2,00	31,785	31,717	PIPE #250
DMH TYPE VII-8	DMH TYPE VII-9	P7-P8	17,6	1,00	31,717	31,511	U'DITCH DS 1
CB TYPE I-10	DMH TYPE VII-9	P8-P8	8,5	2,00	31,711	31,511	PIPE #250
DMH TYPE VII-9	DMH-67	P8-P8	12	2,00	31,511	31,271	RCP #600 (B)
CB TYPE I-11	DMH TYPE VII-10	P9-P9	1,8	1,00	31,818	31,800	PIPE #250
DMH TYPE VII-10	DMH TYPE VII-11	P9-P10	19,3	1,00	31,600	31,407	U'DITCH DS 1
CB TYPE I-12	DMH TYPE VII-11	P10-P10	3,3	2,00	31,476	31,407	PIPE #250
DMH TYPE VII-11	DMH TYPE VII-12	P10-P11	19	0,50	31,407	31,312	U'DITCH DS 1
CB TYPE I-13	DMH TYPE VII-12	P11-11	3	2,00	31,372	31,312	PIPE #250
DMH TYPE VII-12	DMH TYPE VII-13	P11-A2	20	0,50	31,312	31,212	U'DITCH DS 1
CB TYPE I-14	DMH TYPE VII-13	A2-A2	6	2,00	31,332	31,212	PIPE #250
DMH TYPE VII-13	DMH-28	A2-A2	5,3	0,70	31,212	31,175	RCP #600 (B)



DRAINAGE ALONG APPROACH LEFT SIDE

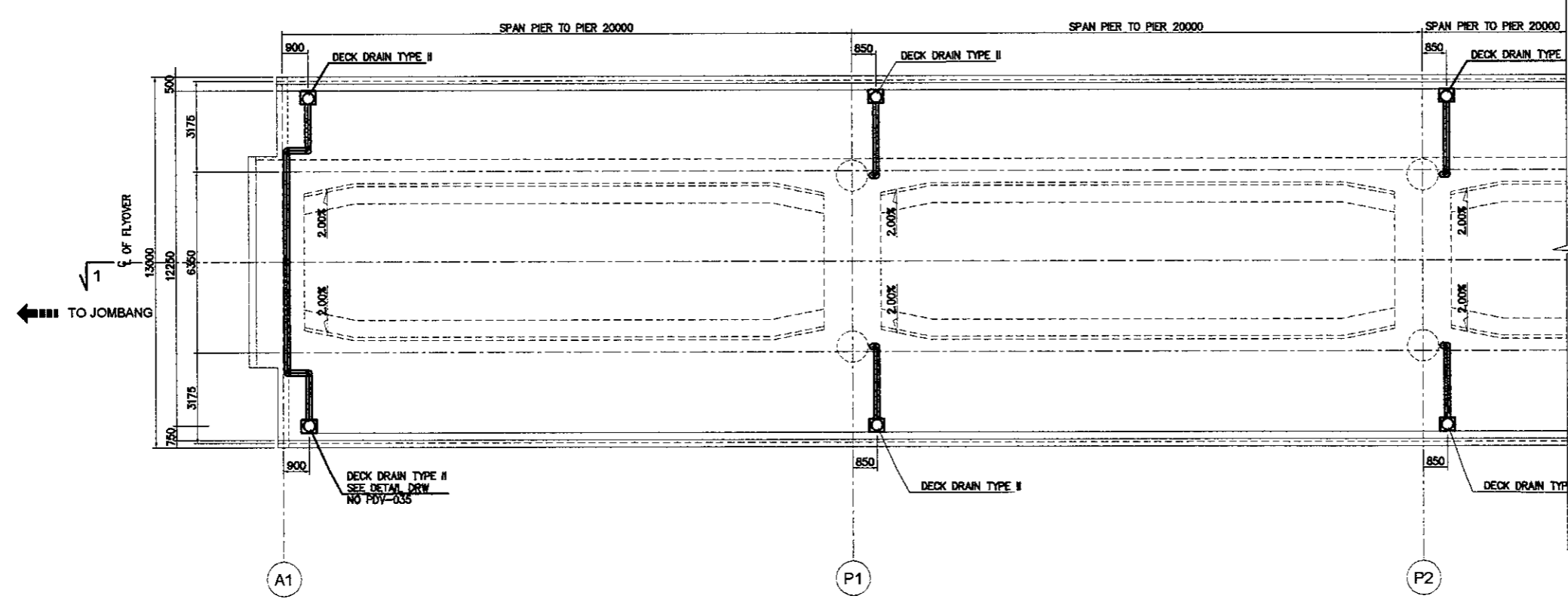
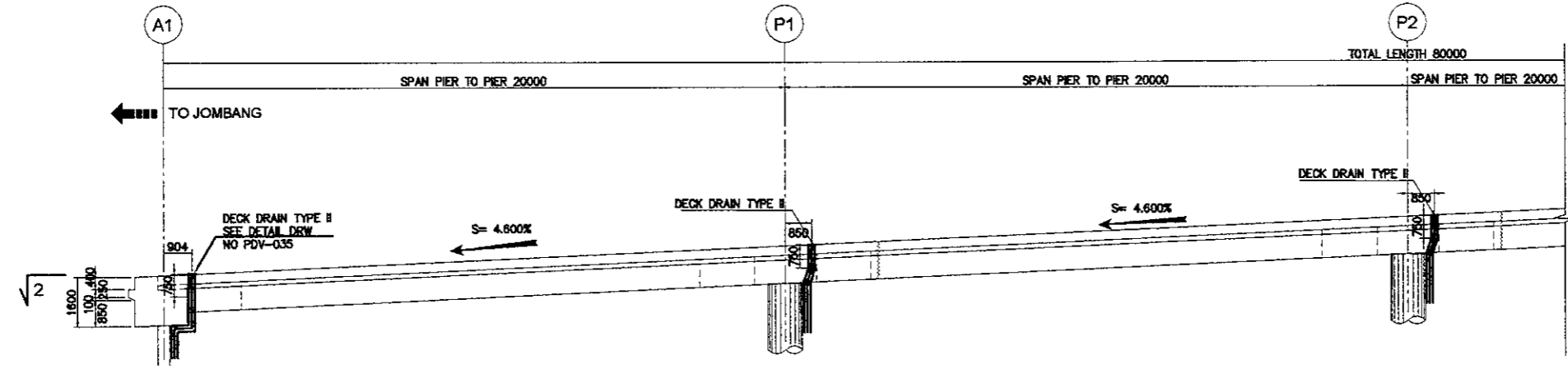
FROM STA/MH	TO STA/MH	TYPE OF U'DITCH/PIPE	LENGTH (m)	U'DITCH/PIPE SLOPE(%)
0+324.50	0+304.50	U'DITCH DS 5	20	0.30
0+304.50	0+284.50	U'DITCH DS 5	20	0.30
0+284.50	0+264.50	U'DITCH DS 5	20	0.30
0+264.50	0+244.50	U'DITCH DS 5	20	0.30
0+244.50	0+224.50	U'DITCH DS 5	20	0.30
0+224.50	DMH VII-1	PIPE #250	29.2	0.30
DMH VII-1	DMH-52	RCP #600 (B)	5.5	0.50

DRAINAGE ALONG APPROACH RIGHT SIDE

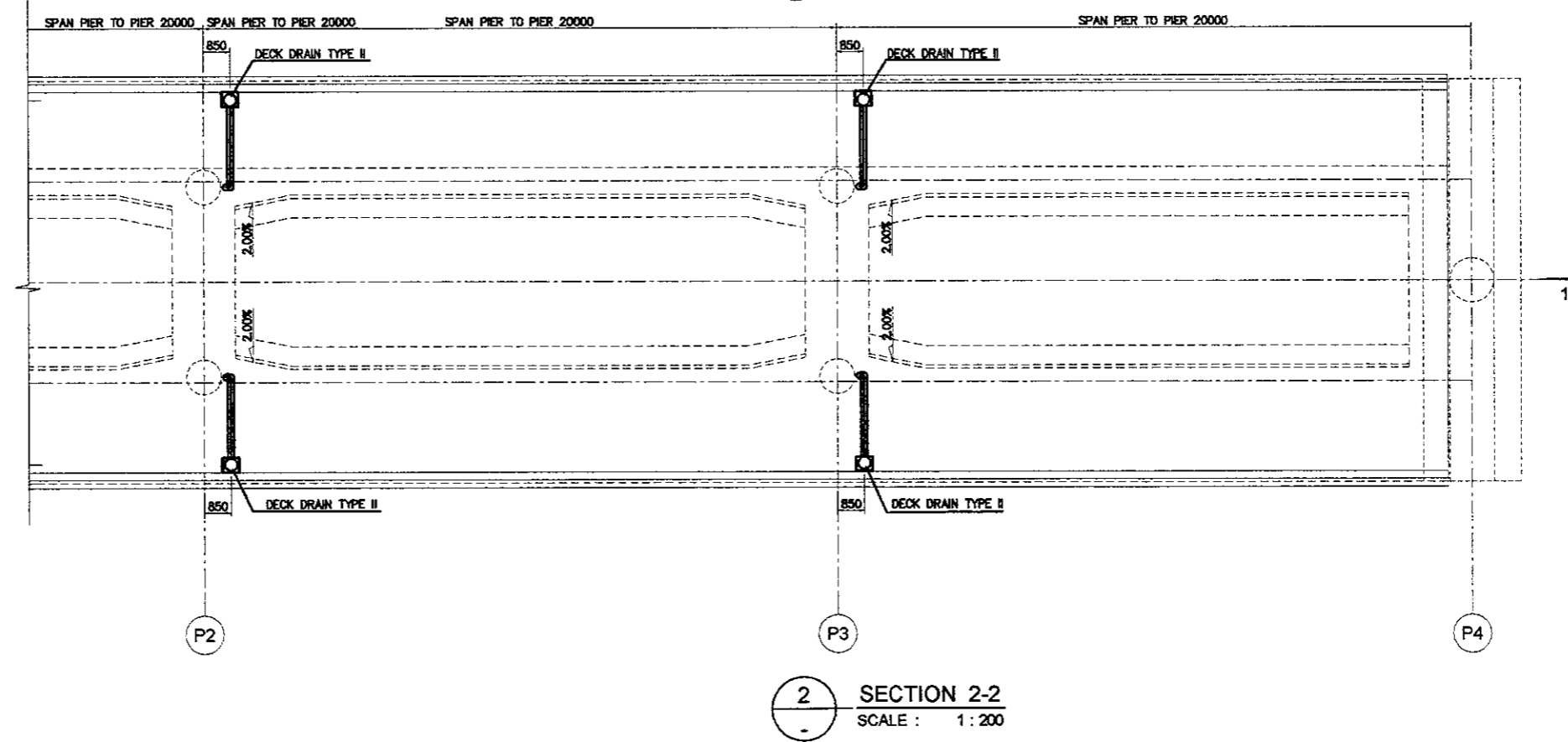
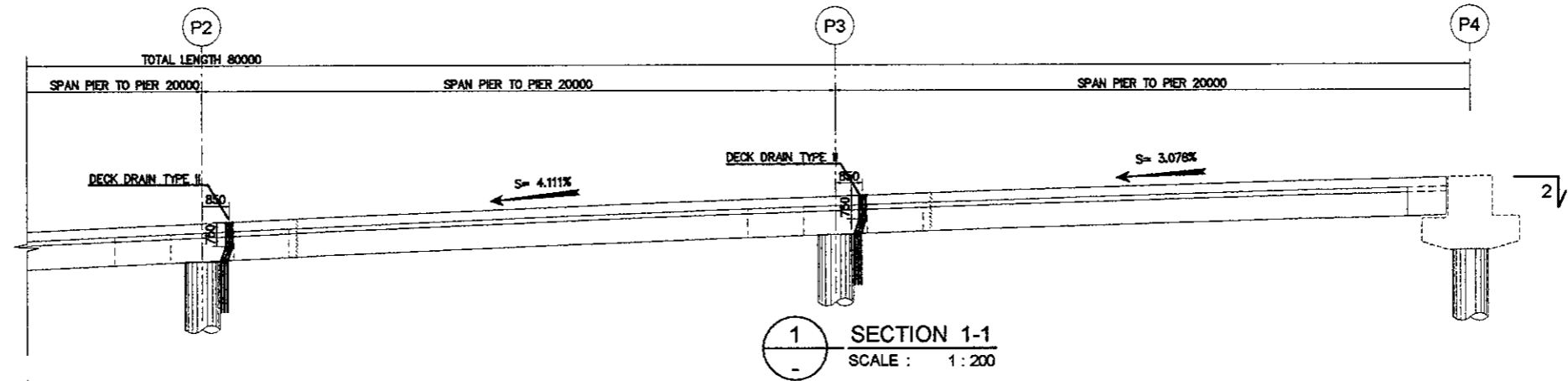
FROM STA/MH	TO STA/MH	TYPE OF U'DITCH/PIPE	LENGTH (m)	U'DITCH/PIPE SLOPE(%)
0+324.50	0+304.50	U'DITCH DS 5	20	0.30
0+304.50	0+284.50	U'DITCH DS 5	20	0.30
0+284.50	0+264.50	U'DITCH DS 5	20	0.30
0+264.50	0+244.50	U'DITCH DS 5	20	0.30
0+244.50	0+224.50	U'DITCH DS 5	20	0.30
0+224.50	DMH VII-1	PIPE #250	29.2	0.30
DMH VII-1	DMH-08	RCP #600 (B)	5.5	0.50

FROM STA/MH	TO STA/MH	TYPE OF U'DITCH/PIPE	LENGTH (m)	U'DITCH/PIPE SLOPE(%)
0+625.50	0+645.50	U'DITCH DS 5	20	0.40
0+645.50	0+665.50	U'DITCH DS 5	20	0.40
0+665.50	0+685.50	U'DITCH DS 5	20	0.40
0+685.50	0+705.50	U'DITCH DS 5	20	0.40
0+705.50	0+725.50	U'DITCH DS 5	20	0.40
0+725.50	0+745.50	PIPE #250	20	0.40
0+745.50	0+765.50	PIPE #250	20	0.40
0+765.50	0+785.50	PIPE #250	20	0.40
0+785.50	DMH VII-1	PIPE #250	14.5	0.40
DMH VII-1	DMH-37	RCP #600 (B)	5.5	0.50

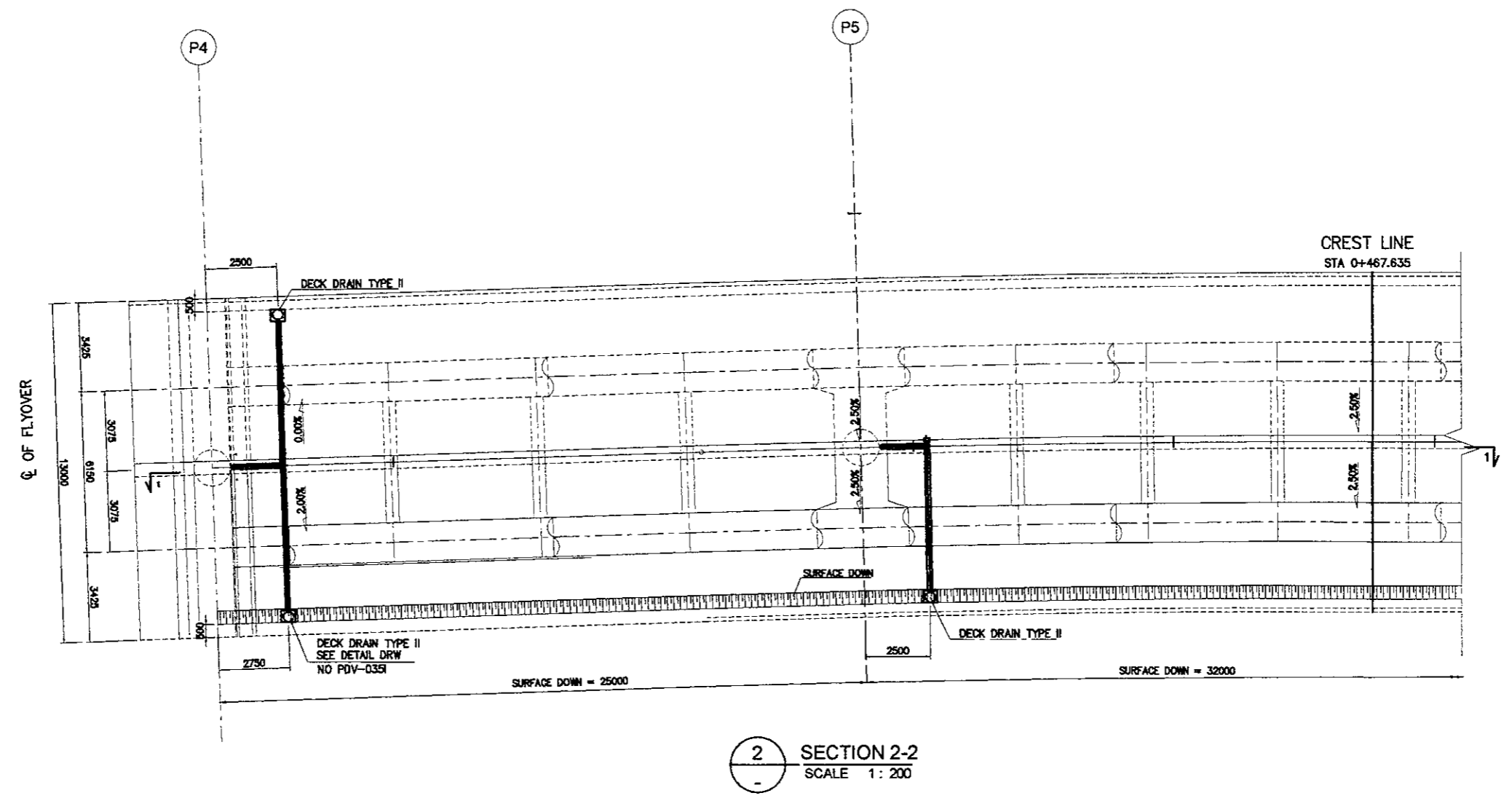
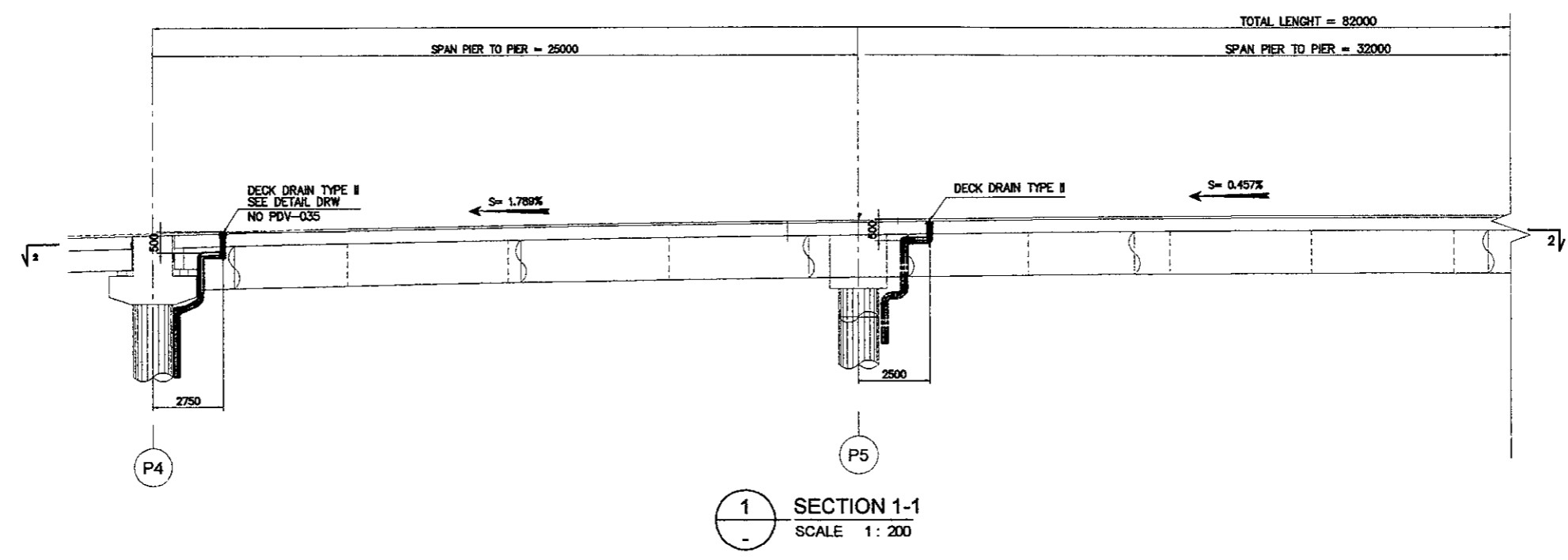
DESIGNED BY		CHECKED BY		SUBMITTED BY	
Name	R. UENO	Name	T. OKUMURA	Name	M. KIUCHI
Sign		Sign		Sign	
Date		Date		Date	



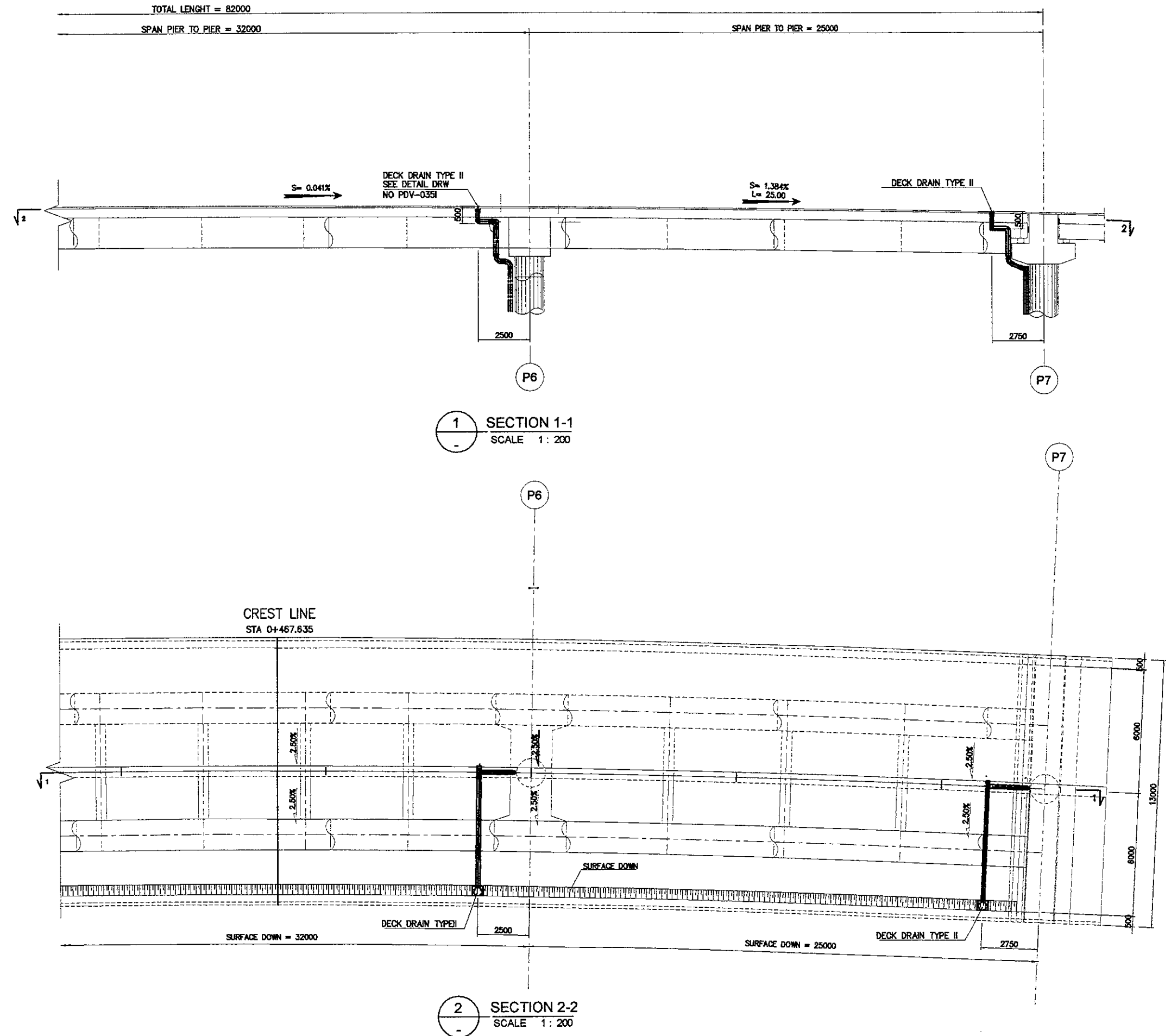
DESIGNED BY		CHECKED BY		SUBMITTED BY	
Name	R. UENO	Name	T. OKUMURA	Name	M. KIUCHI
Sign		Sign		Sign	
Date		Date		Date	



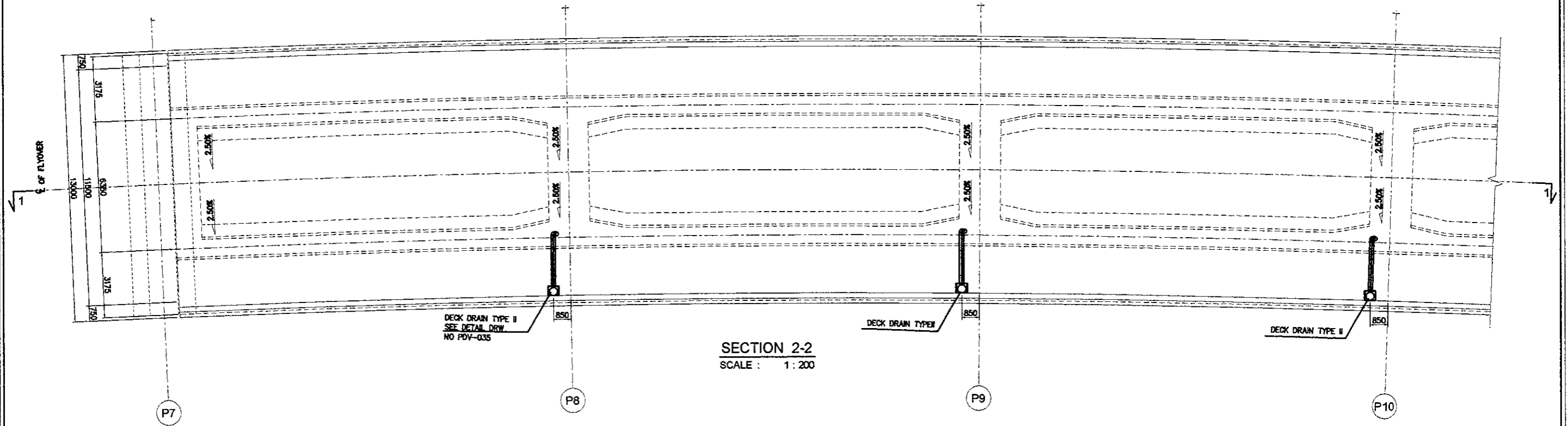
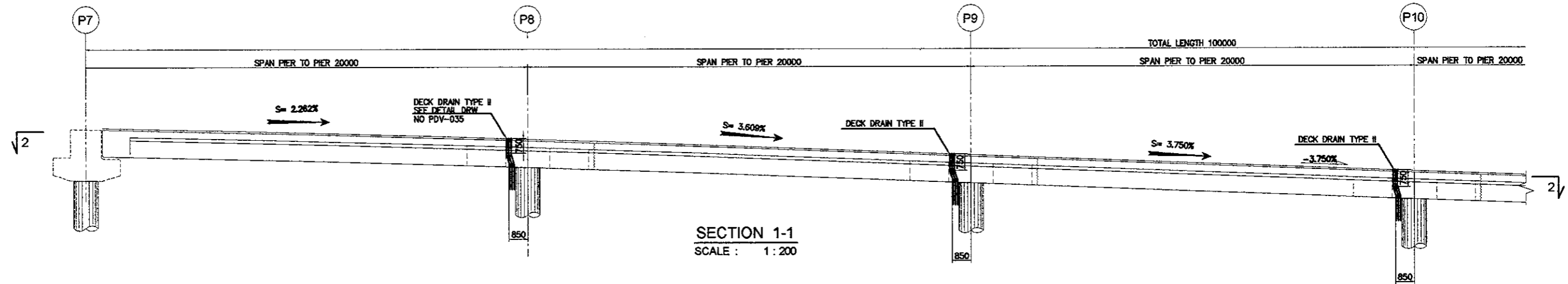
DESIGNED BY	CHECKED BY	SUBMITTED BY
Name: R. UENO	Name: T. OKUMURA	Name: M. KIUCHI
Sign: _____	Sign: _____	Sign: _____
Date: _____	Date: _____	Date: _____



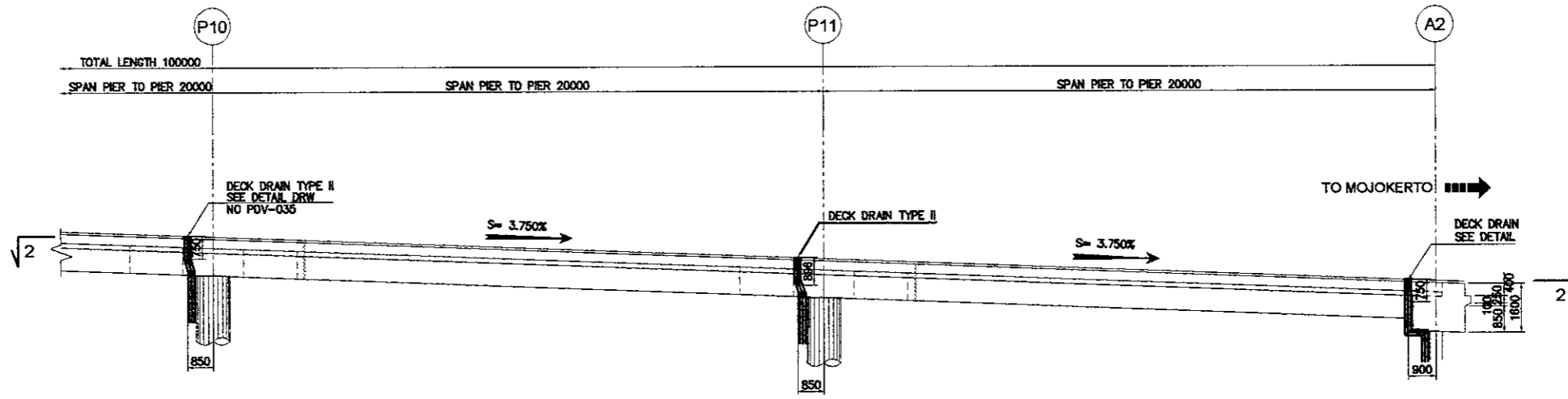
DESIGNED BY		CHECKED BY		SUBMITTED BY	
Name	R. UENO	Name	T. OKUMURA	Name	M. KIUCHI
Sign		Sign		Sign	
Date		Date		Date	



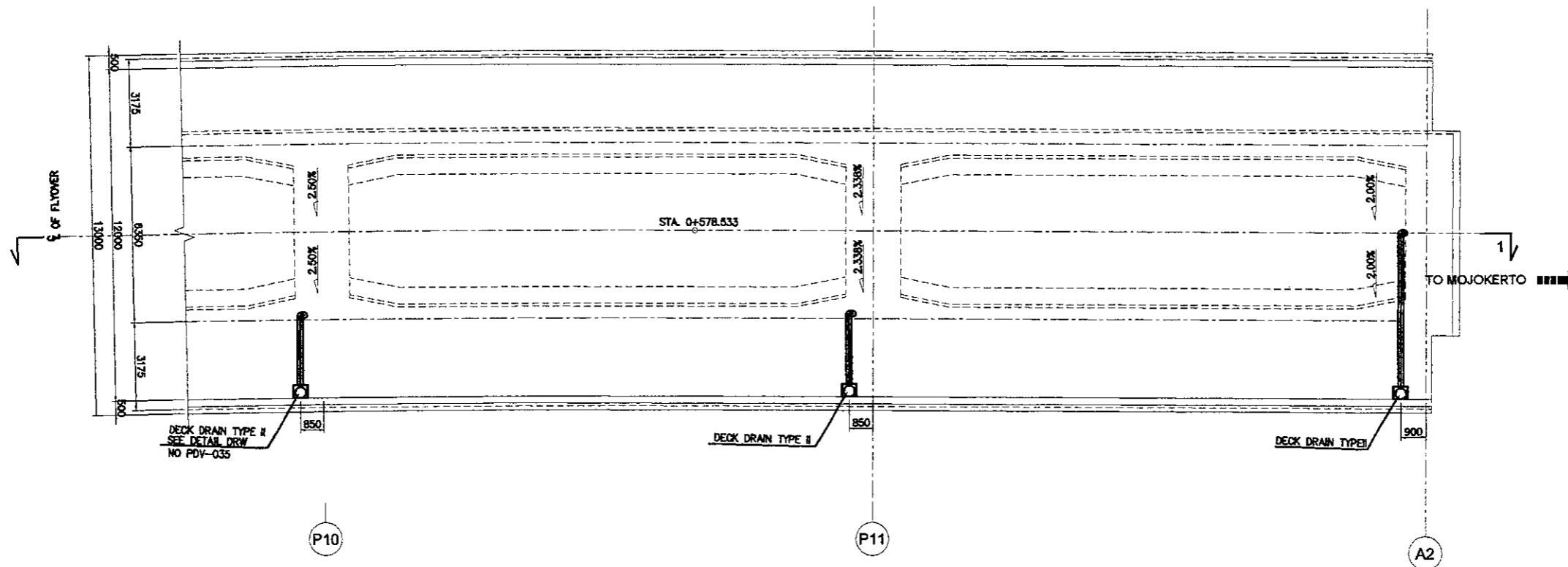
DESIGNED BY		CHECKED BY		SUBMITTED BY	
Name	R. UENO	Name	T. OKUMURA	Name	M. KIUCHI
Sign		Sign		Sign	
Date		Date		Date	



DESIGNED BY		CHECKED BY		SUBMITTED BY	
Name	R. LIENO	Name	T. OKUMURA	Name	M. KIUCHI
Sign		Sign		Sign	
Date		Date		Date	

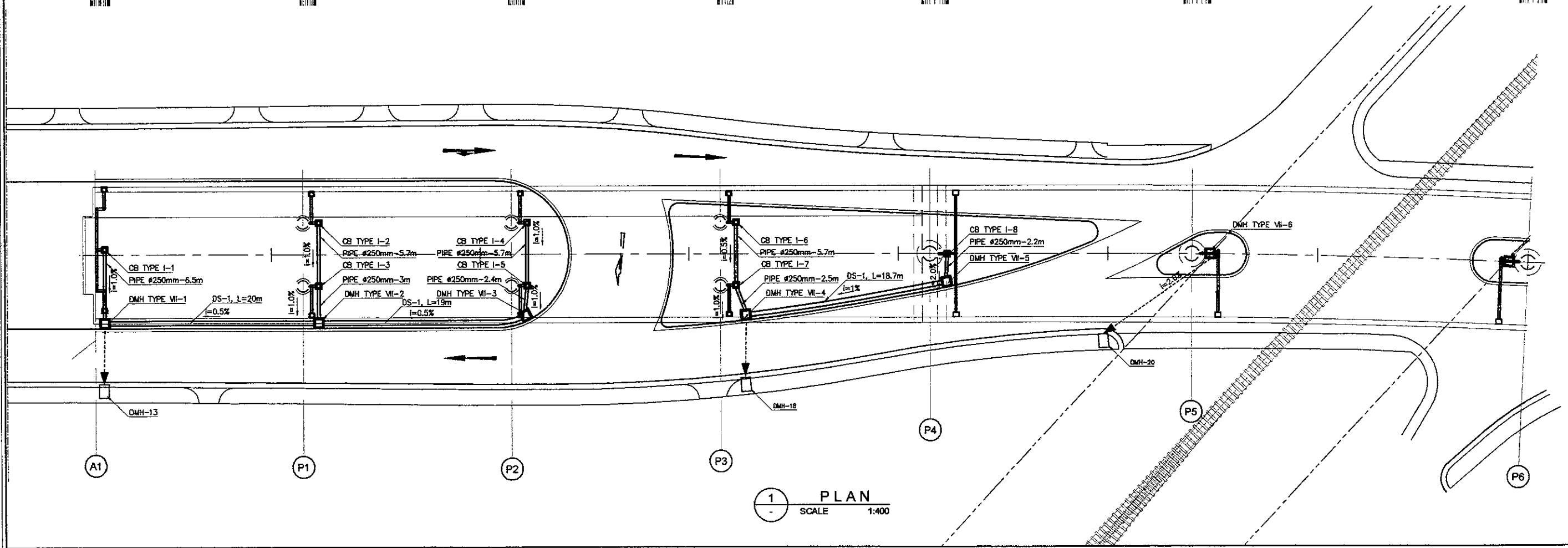
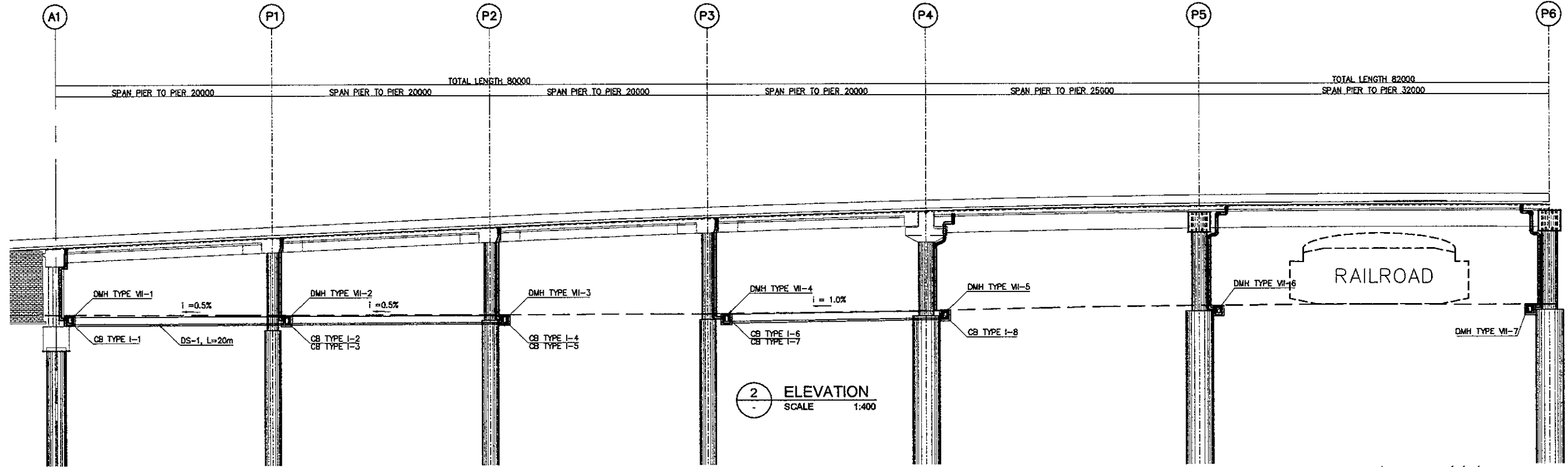


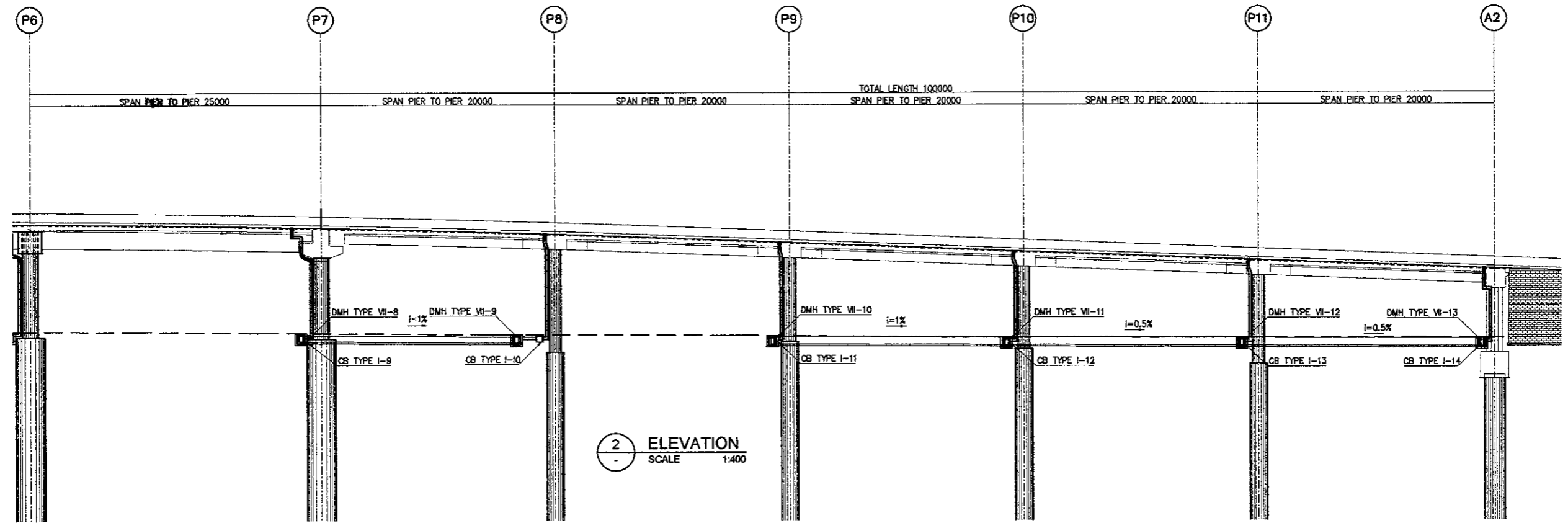
SECTION 1-1
 SCALE : 1 : 200



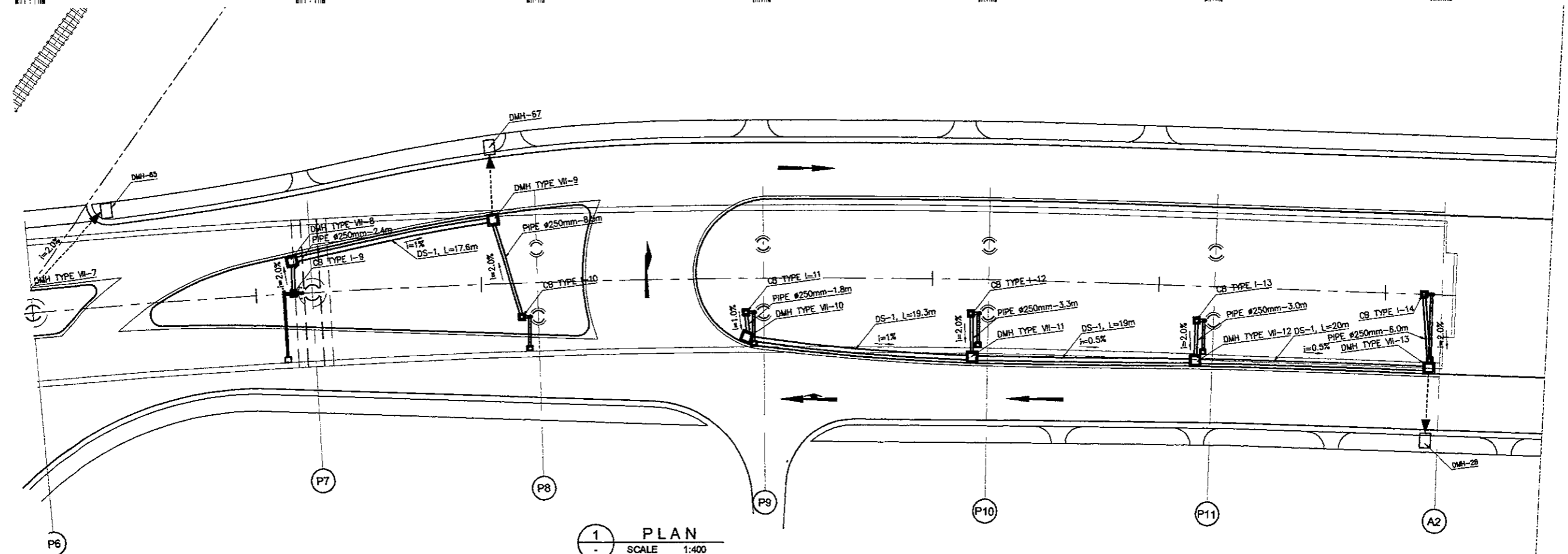
SECTION 2-2
 SCALE : 1 : 200

DESIGNED BY		CHECKED BY		SUBMITTED BY	
Name	R. UENO	Name	T. OKUMURA	Name	M. KIUCHI
Sign		Sign		Sign	
Date		Date		Date	



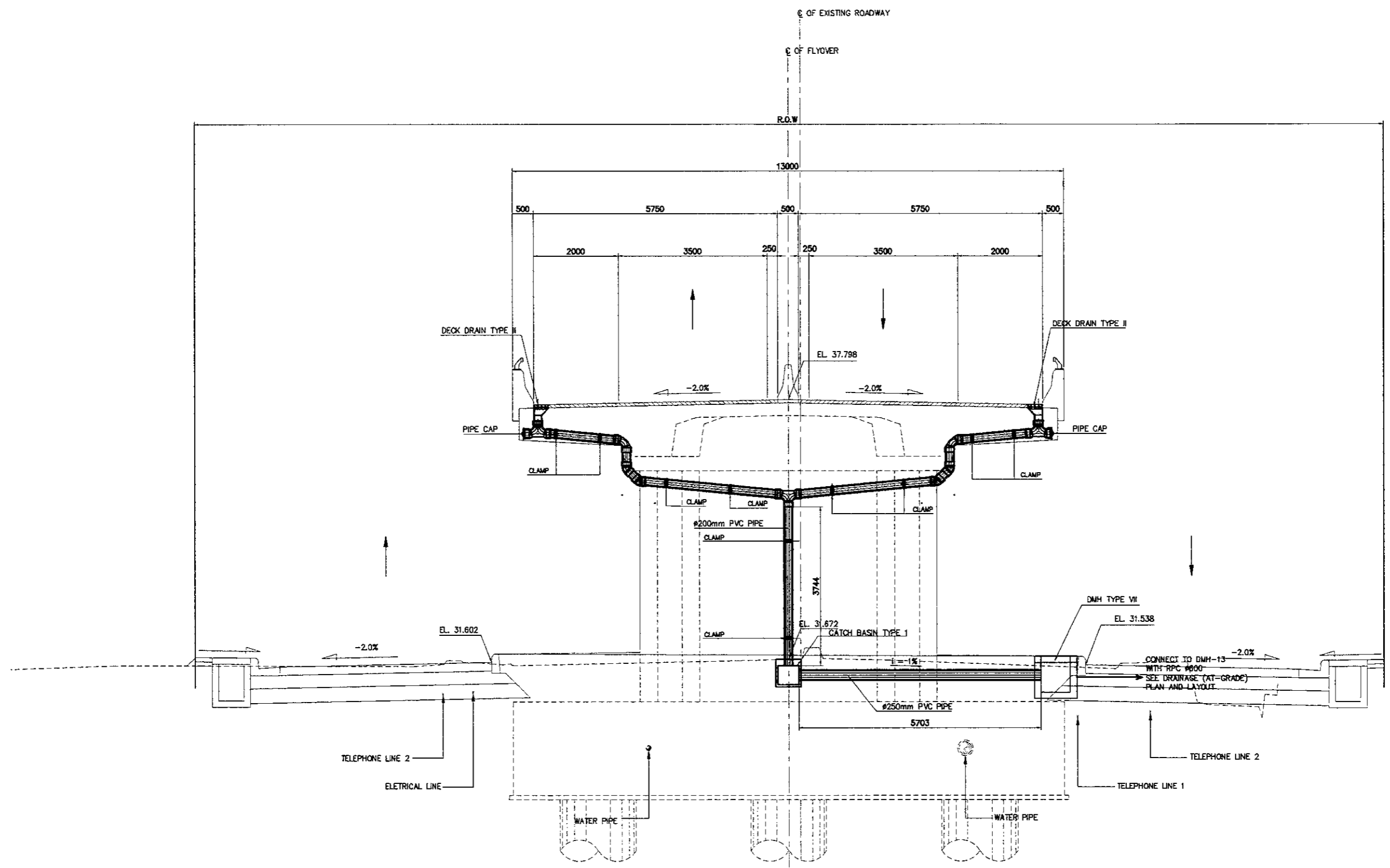


2 ELEVATION
 SCALE 1:400



1 PLAN
 SCALE 1:400

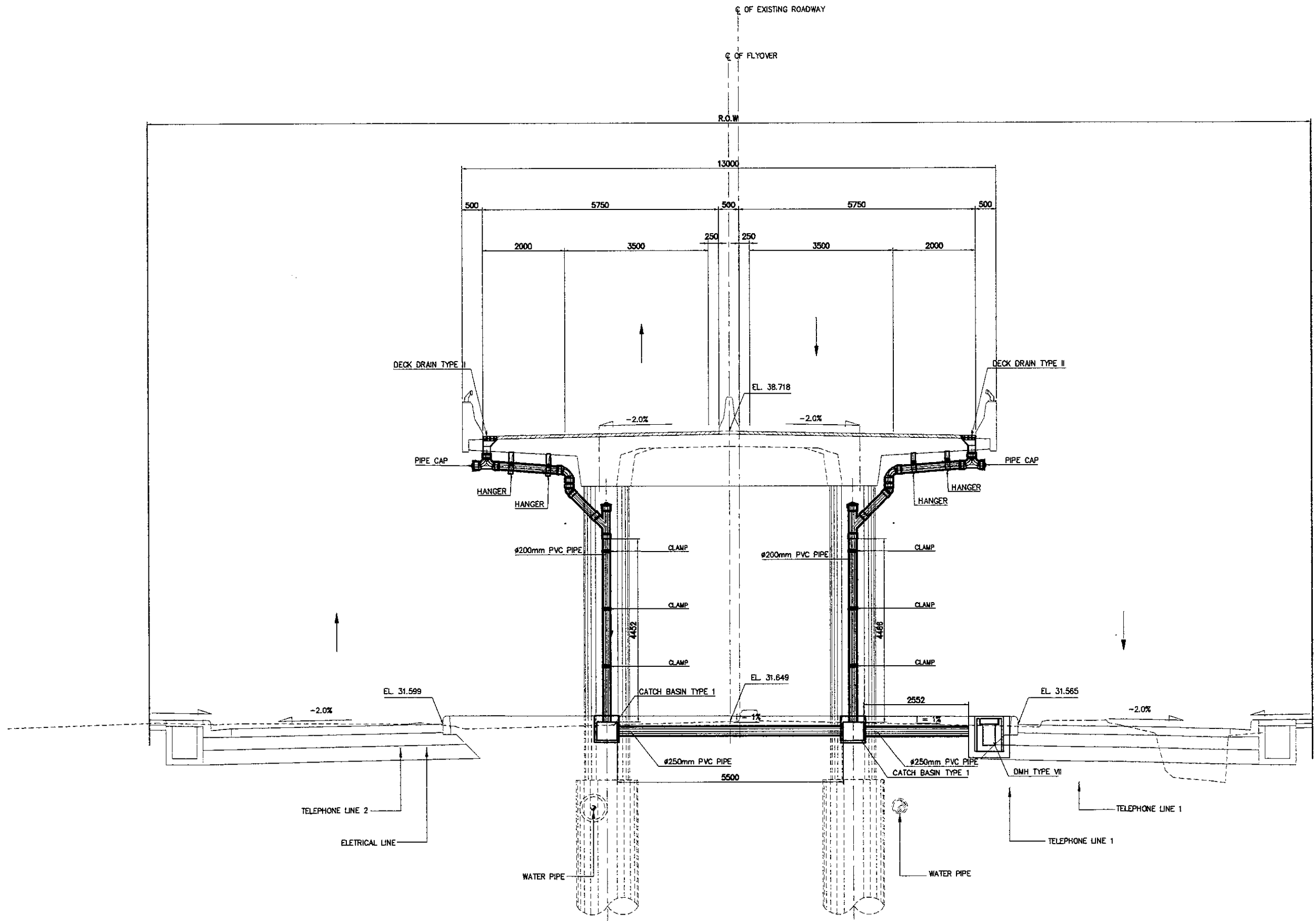
DESIGNED BY		CHECKED BY		SUBMITTED BY	
Name	R. UENO	Name	T. OKUMURA	Name	M. KIUCHI
Sign		Sign		Sign	
Date		Date		Date	



1 A1 SECTION (STA. 0 + 343.00)

 SCALE 1:100

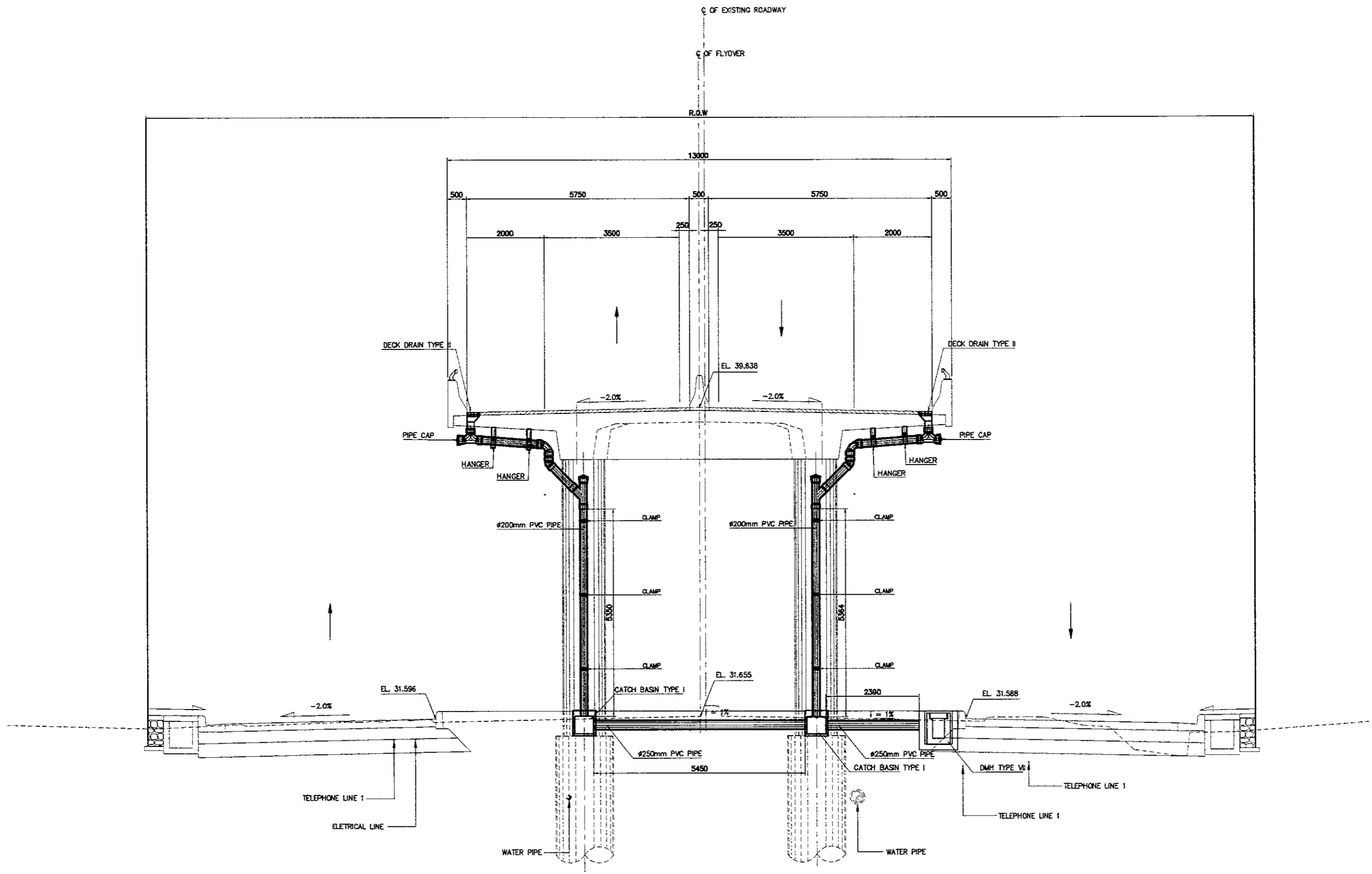
DESIGNED BY		CHECKED BY		SUBMITTED BY	
Name	R. UENO	Name	T. OKUMURA	Name	M. KIUCHI
Sign		Sign		Sign	
Date		Date		Date	



1 P1 SECTION (STA. 0 + 363.00)

 SCALE 1:100

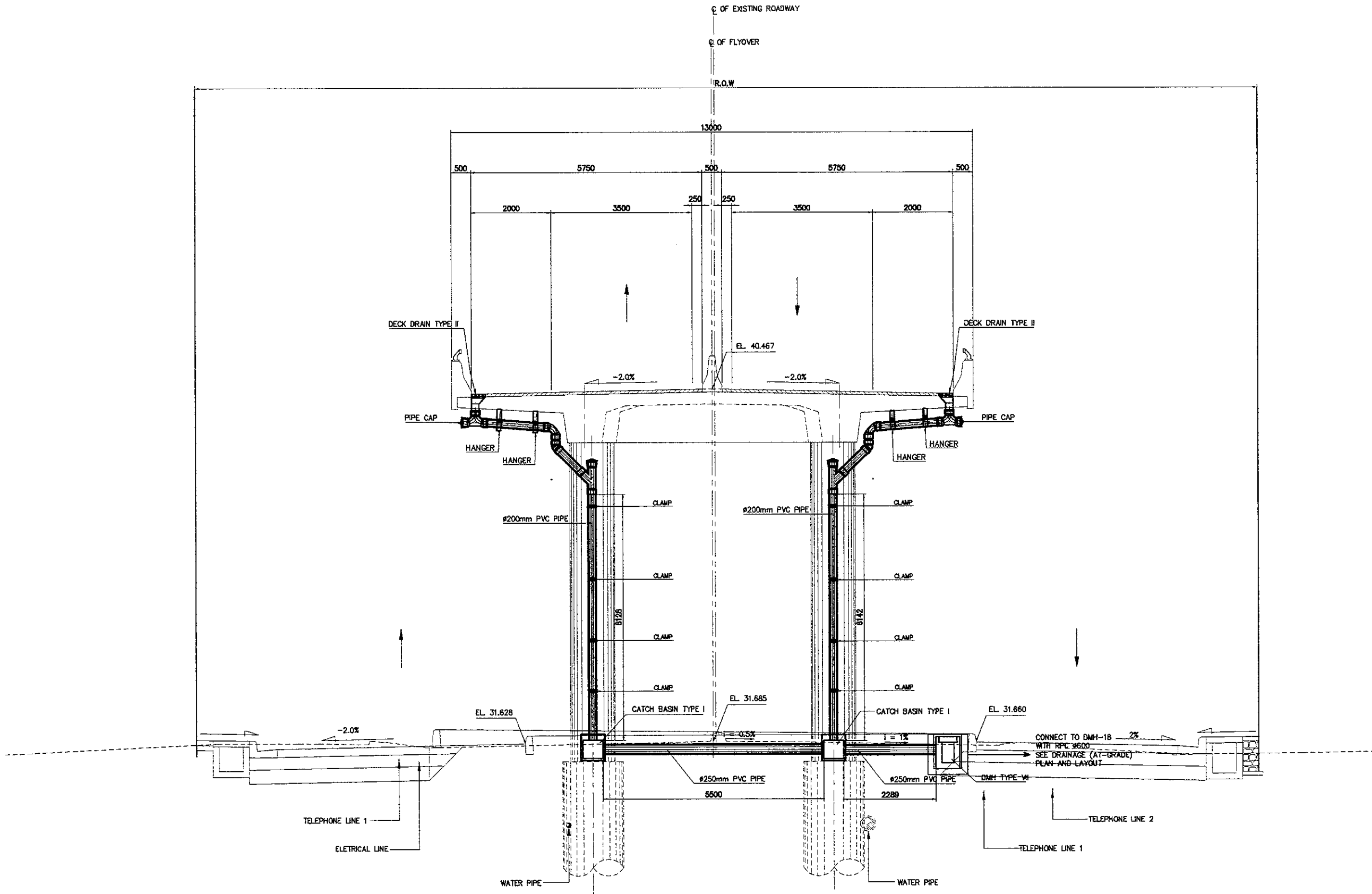
DESIGNED BY		CHECKED BY		SUBMITTED BY	
Name	R. UENO	Name	T. OKUMURA	Name	M. KIUCHI
Sign		Sign		Sign	
Date		Date		Date	



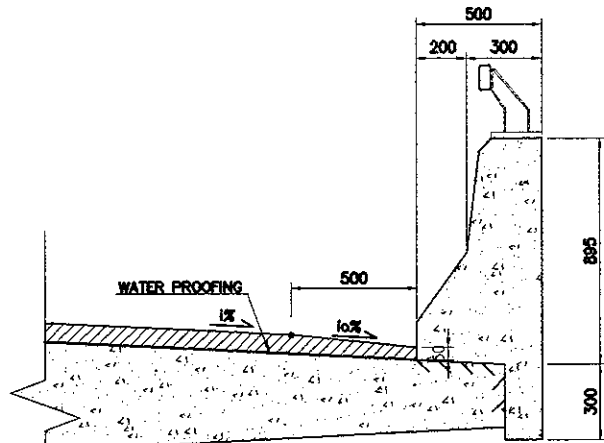
1 P2 SECTION (STA. 0 + 483.00)

 SCALE 1:100

DESIGNED BY		CHECKED BY		SUBMITTED BY	
Name	R. UENO	Name	T. OKUMURA	Name	M. KIUCHI
Sign		Sign		Sign	
Date		Date		Date	

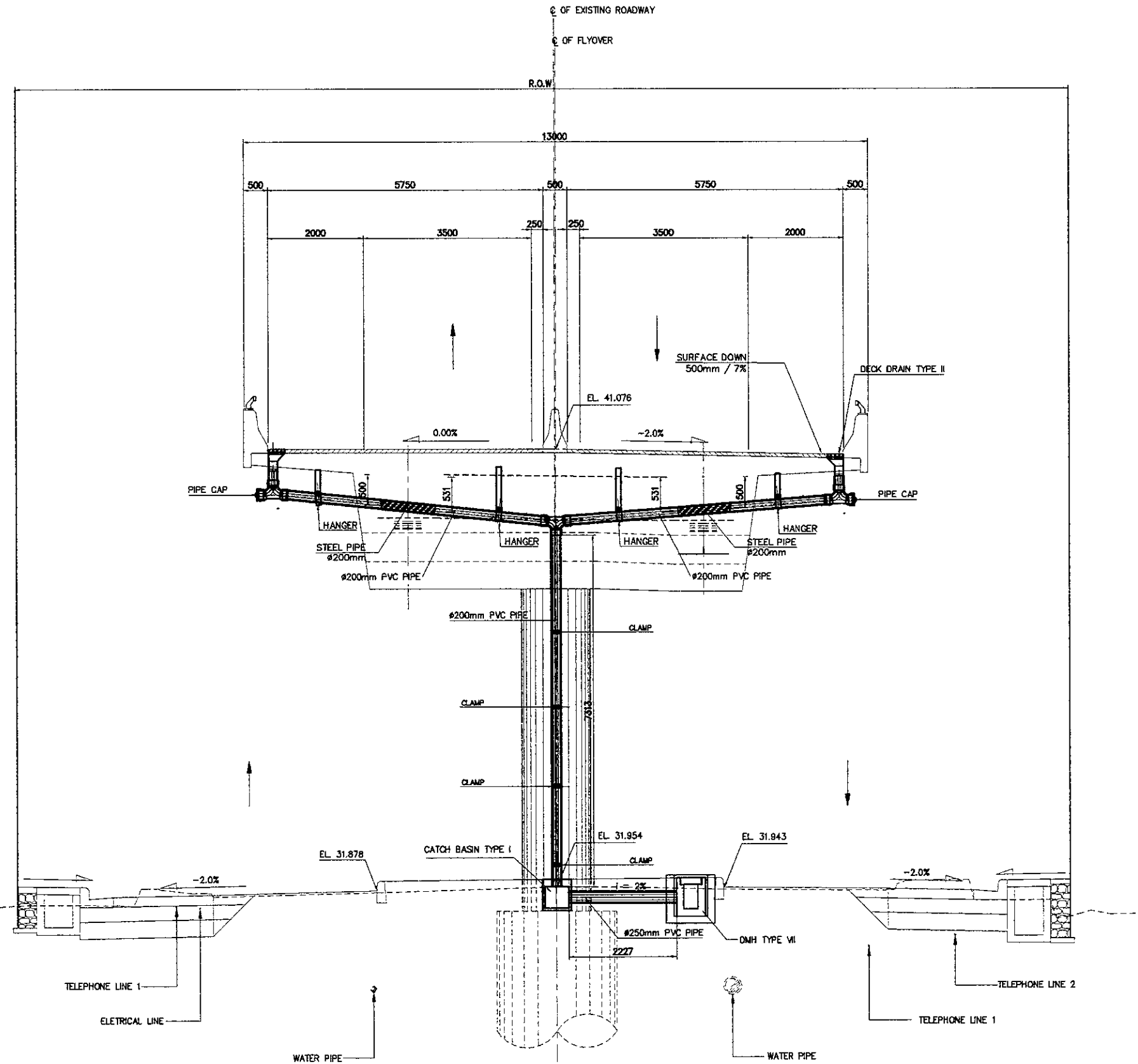


1 P3 SECTION (STA. 0 + 403.00)
 1:100

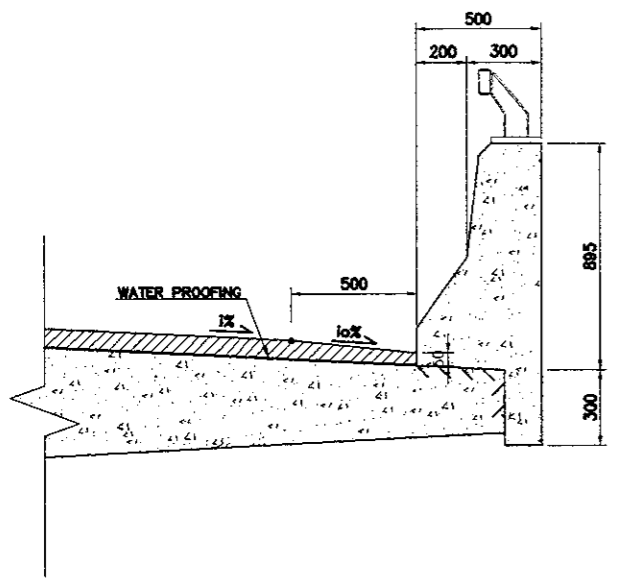


i (%)	io (%)
1	6
2	7
3	8
4	9
5	10

DETAIL OF SURFACE DOWN
 SCALE 1:30

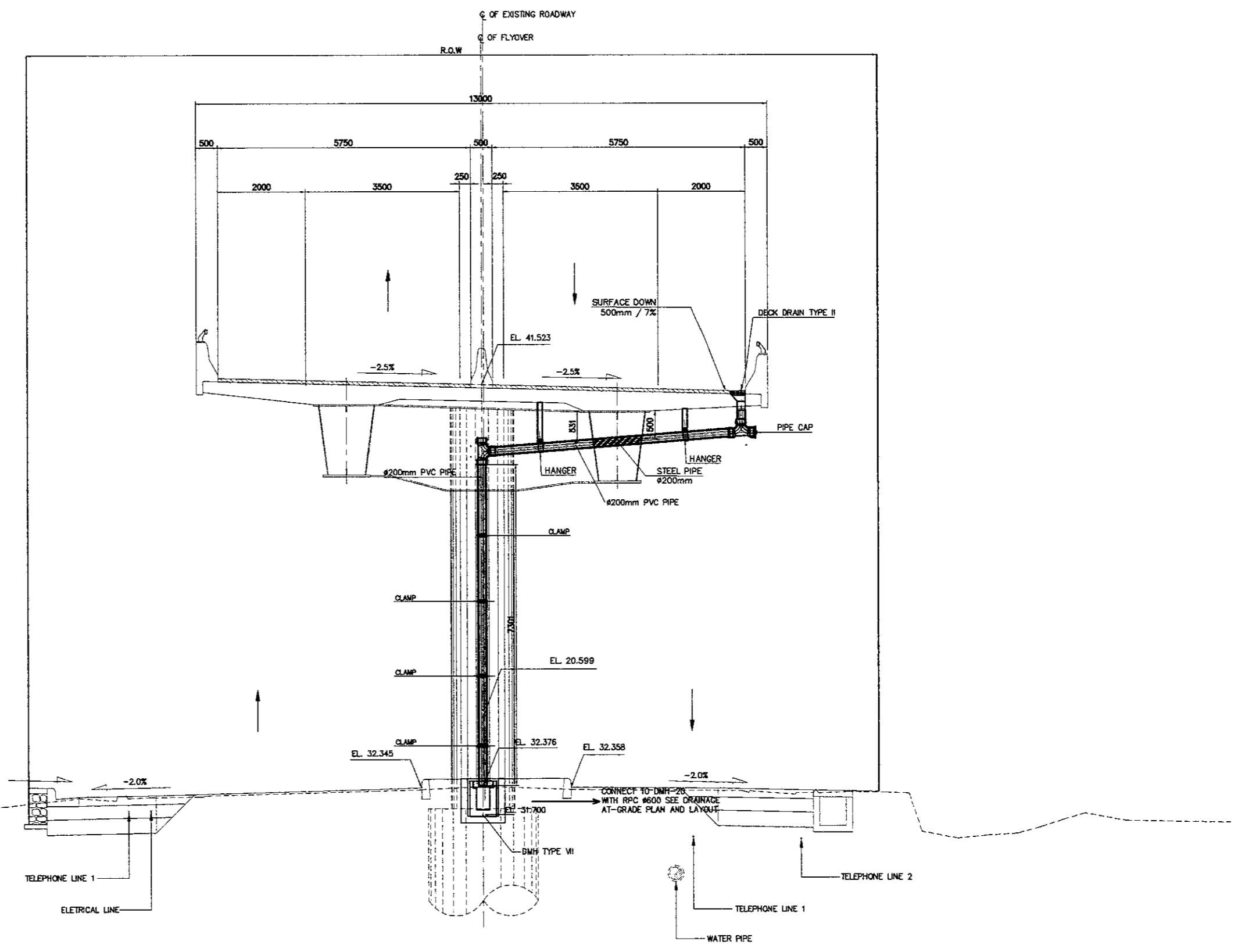


1 P4 SECTION (STA. 0 + 423.00)
 SCALE 1:100

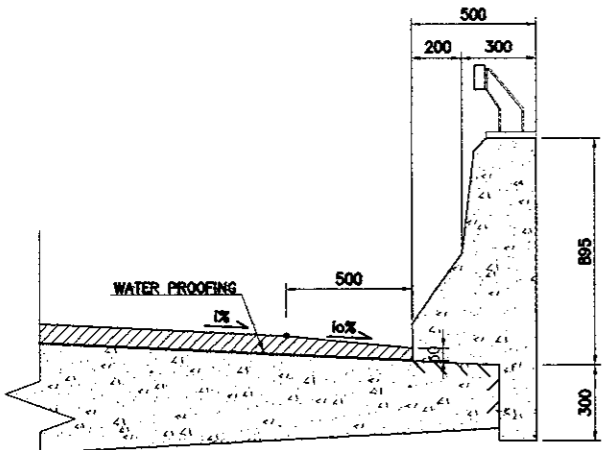


i (%)	io (%)
1	6
2	7
3	8
4	9
5	10

DETAIL OF SURFACE DOWN
 SCALE 1:30

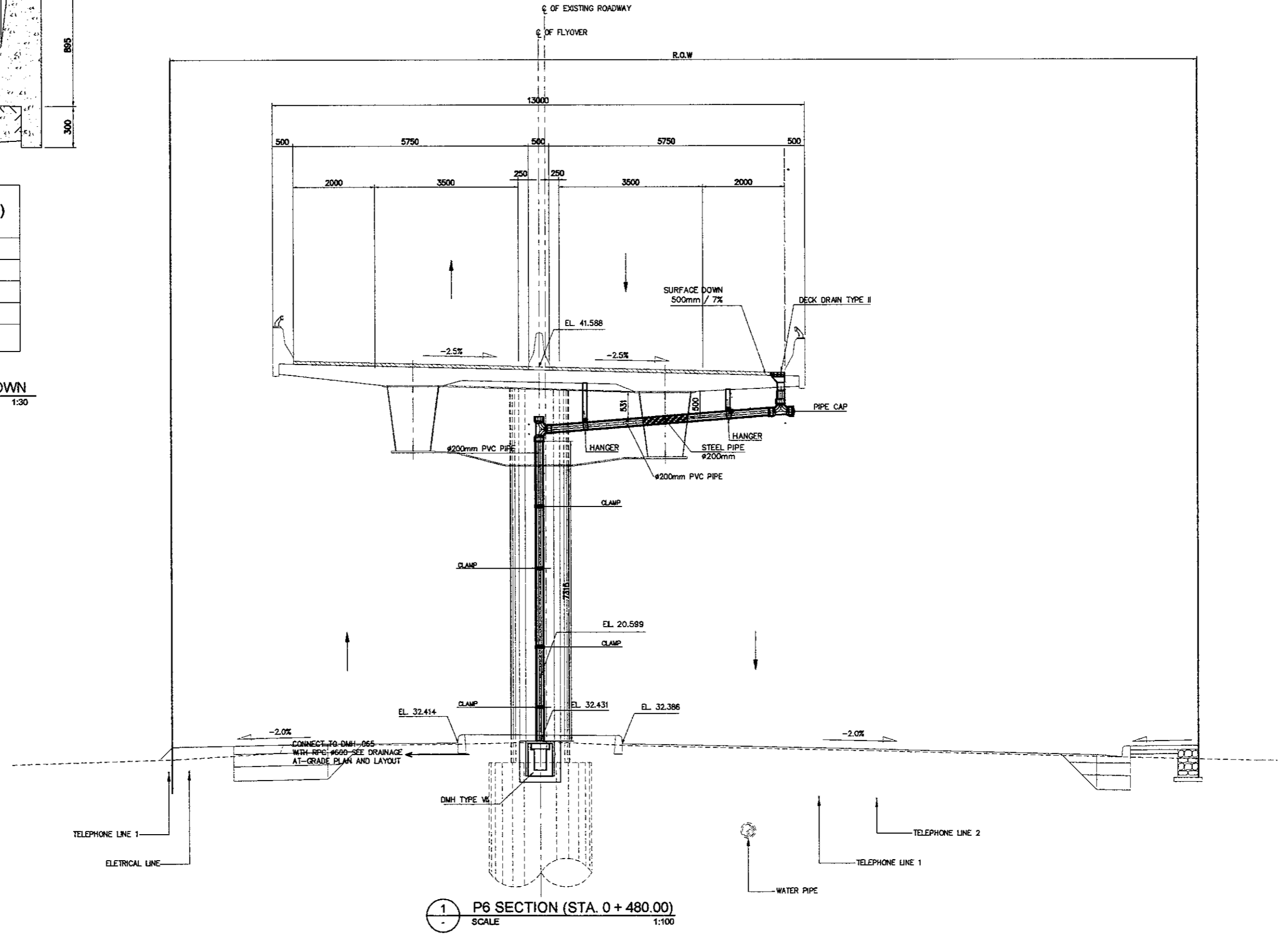


1 P5 SECTION (STA. 0 + 448.00)
 SCALE 1:100

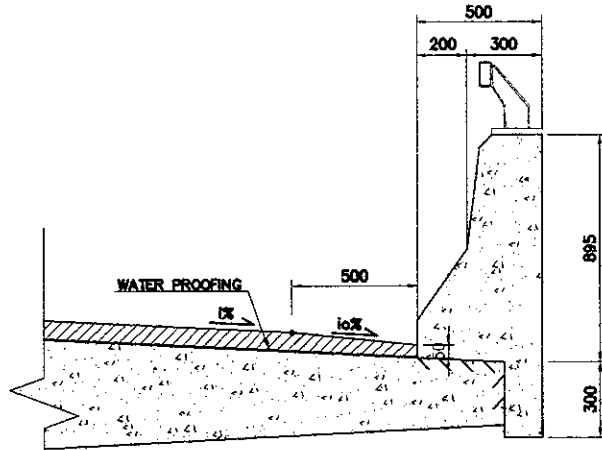


i (%)	io (%)
1	6
2	7
3	8
4	9
5	10

DETAIL OF SURFACE DOWN
 SCALE 1:30

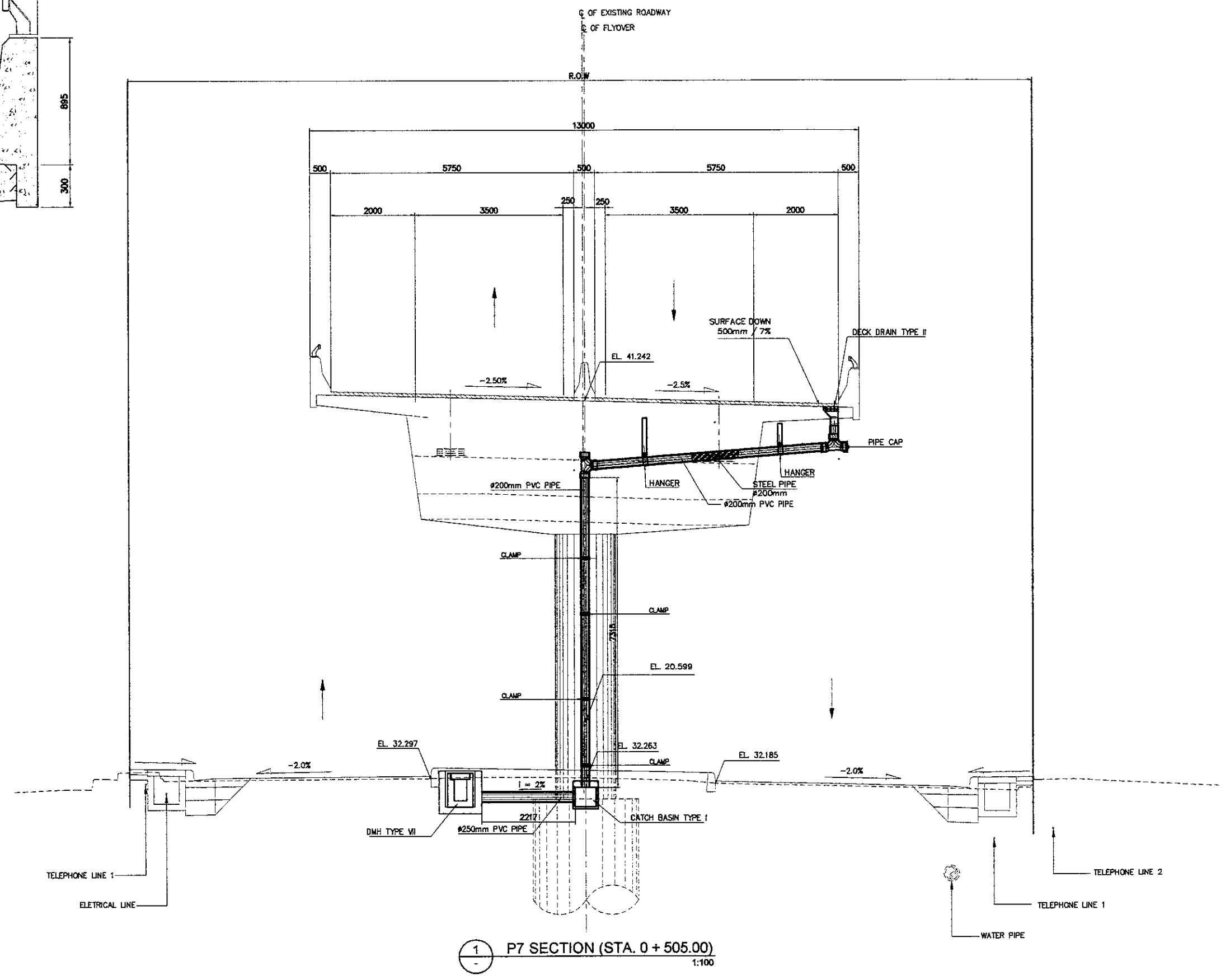


1 P6 SECTION (STA. 0 + 480.00)
 SCALE 1:100



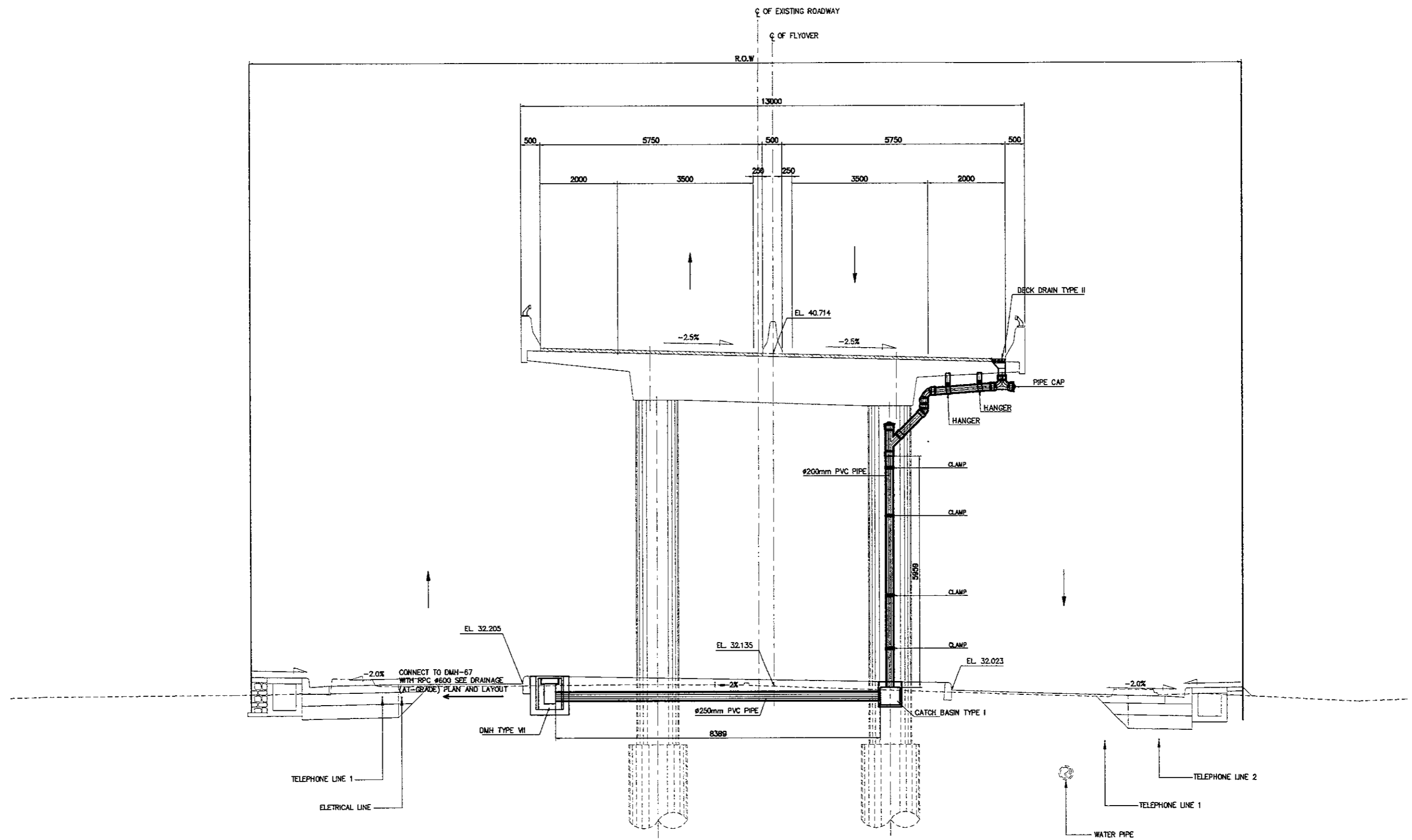
i (%)	io (%)
1	6
2	7
3	8
4	9
5	10

DETAIL OF SURFACE DOWN
 SCALE 1:30



1 P7 SECTION (STA. 0 + 505.00)
 1:100

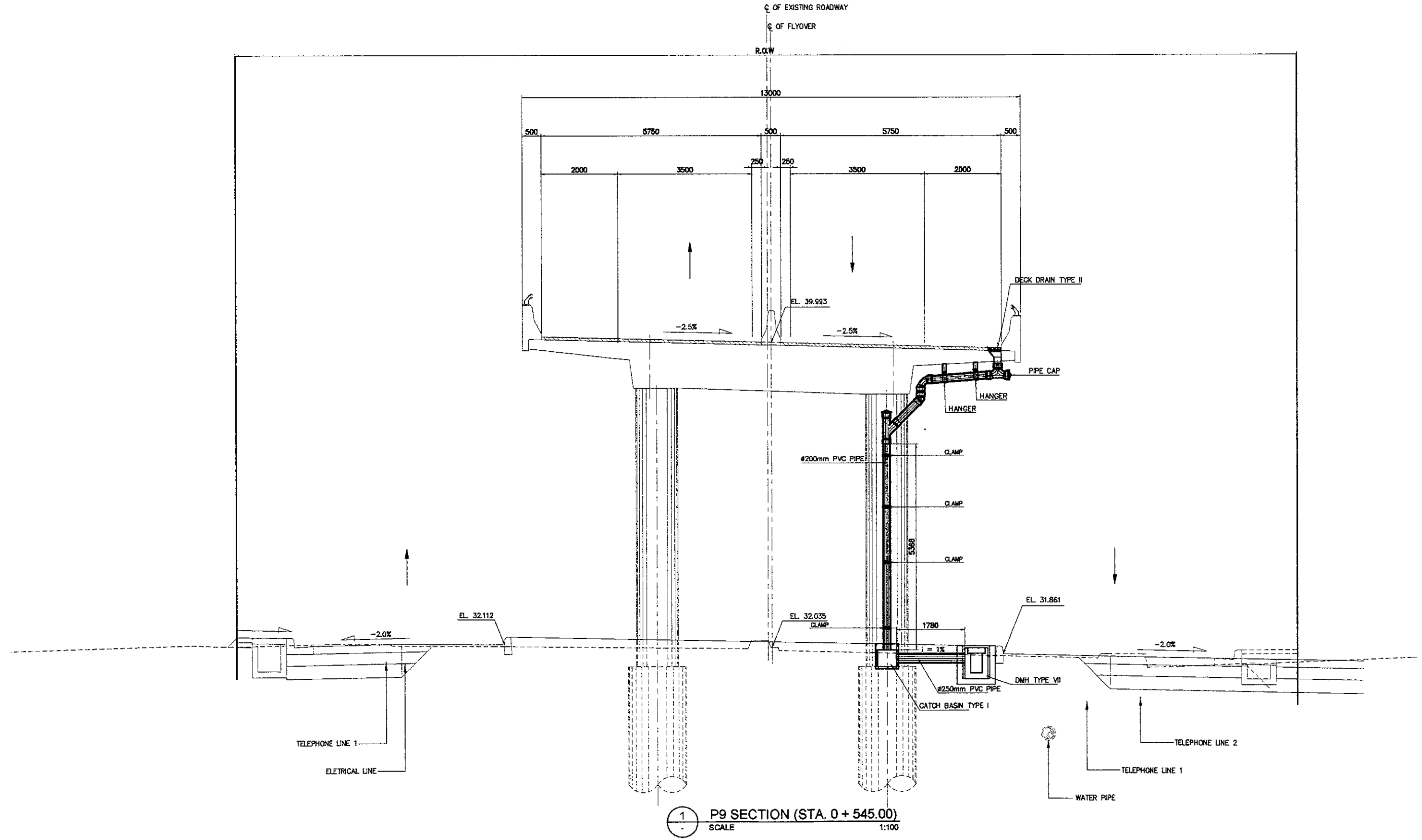
DESIGNED BY		CHECKED BY		SUBMITTED BY	
Name	R. UENO	Name	T. OKUMURA	Name	M. KIUCHI
Sign		Sign		Sign	
Date		Date		Date	



1 P8 SECTION (STA. 0 + 525. 00)

 SCALE 1:100

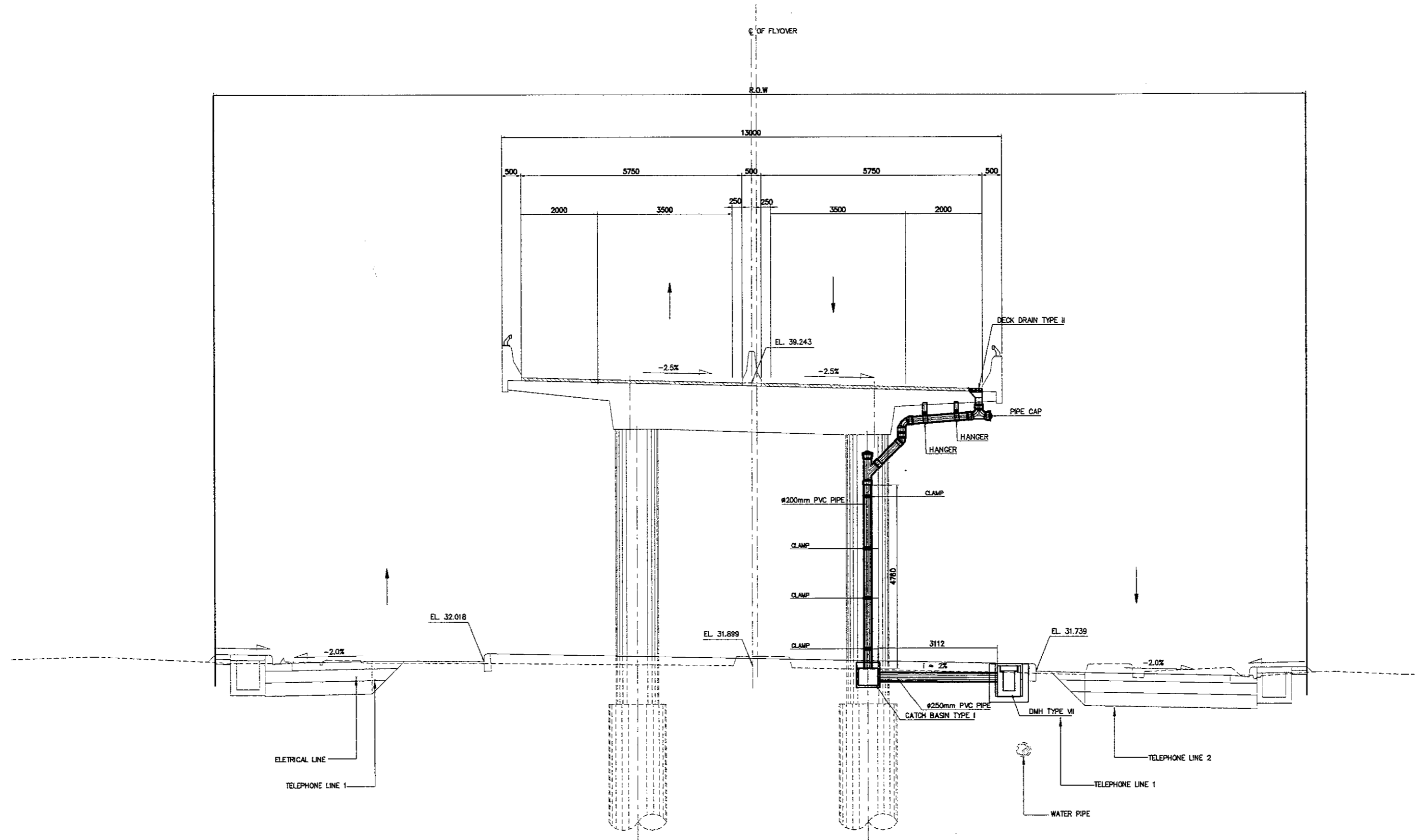
DESIGNED BY		CHECKED BY		SUBMITTED BY	
Name	R. UENO	Name	T. OKUMURA	Name	M. KIUCHI
Sign		Sign		Sign	
Date		Date		Date	



1 P9 SECTION (STA. 0 + 545.00)

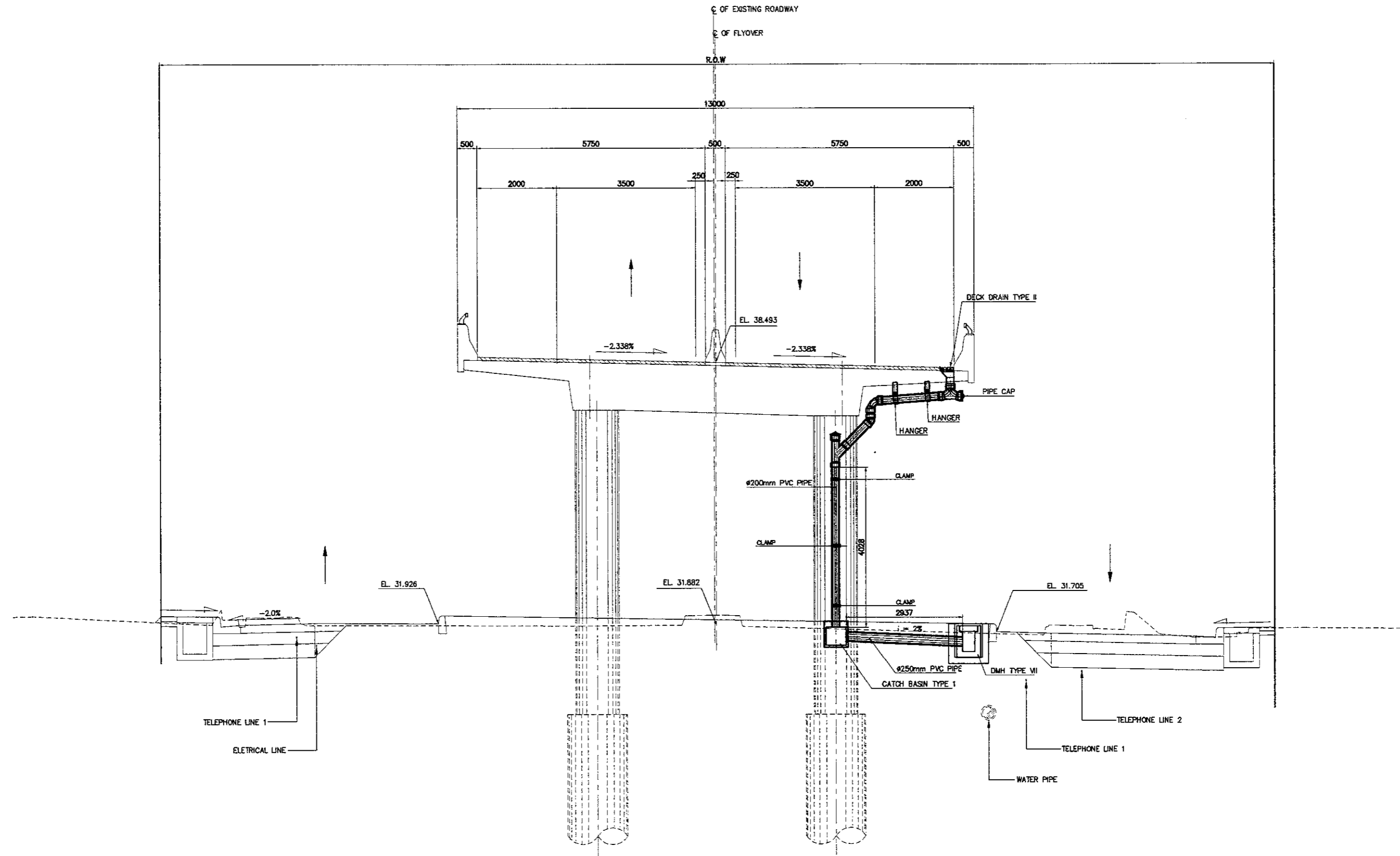
 SCALE 1:100

DESIGNED BY		CHECKED BY		SUBMITTED BY	
Name	R. UENO	Name	T. OKUMURA	Name	M. KIUCHI
Sign		Sign		Sign	
Date		Date		Date	



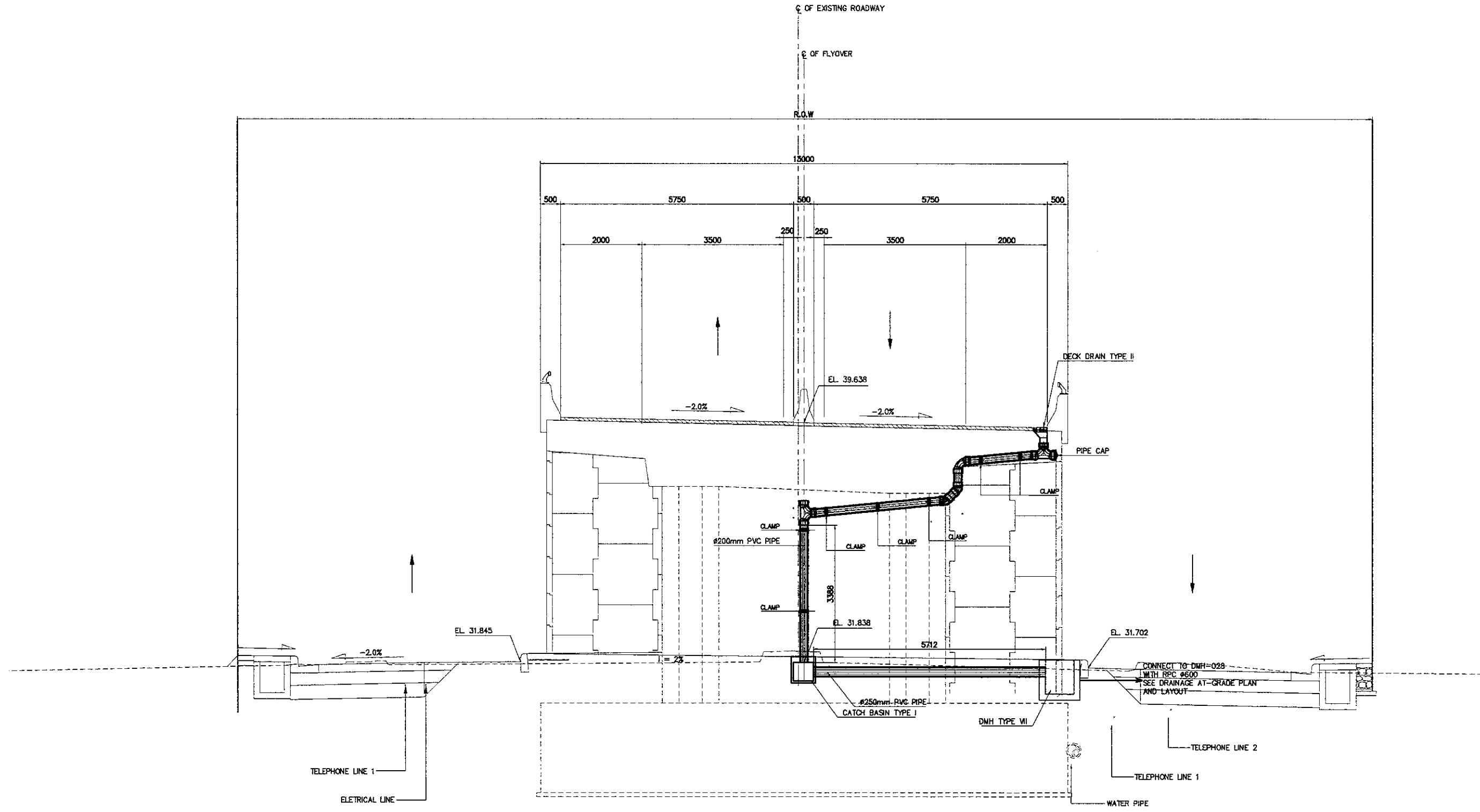
1 P10 SECTION (STA. 0 + 565.00)
 SCALE 1:100

DESIGNED BY		CHECKED BY		SUBMITTED BY	
Name	R. UENO	Name	T. OKUMURA	Name	M. KIUCHI
Sign		Sign		Sign	
Date		Date		Date	



1 P11 SECTION (STA. 0 + 585.00)
 SCALE 1:100

DESIGNED BY		CHECKED BY		SUBMITTED BY	
Name	R. UENO	Name	T. OKUMURA	Name	M. KIUCHI
Sign		Sign		Sign	
Date		Date		Date	



1 A2 SECTION (STA. 0 + 605.00)
 SCALE 1:100

DESIGNED BY	CHECKED BY	SUBMITTED BY
Name: R. UENO	Name: T. OKUMURA	Name: M. KIUCHI
Sign: _____	Sign: _____	Sign: _____
Date: _____	Date: _____	Date: _____

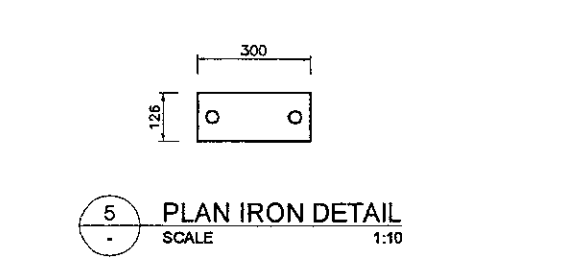
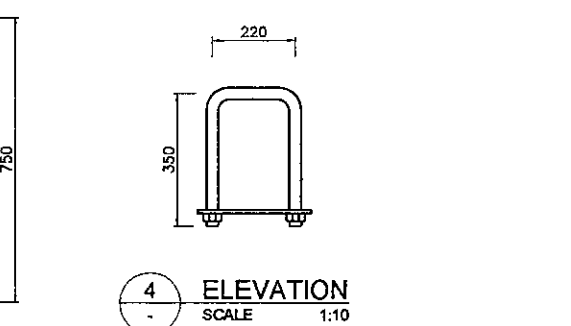
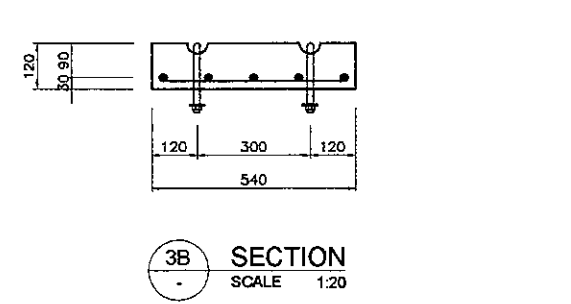
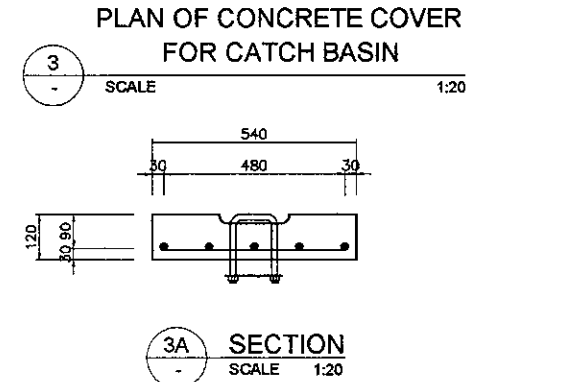
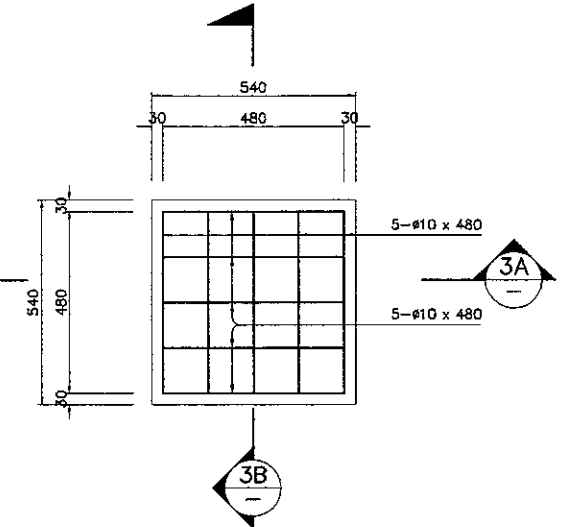
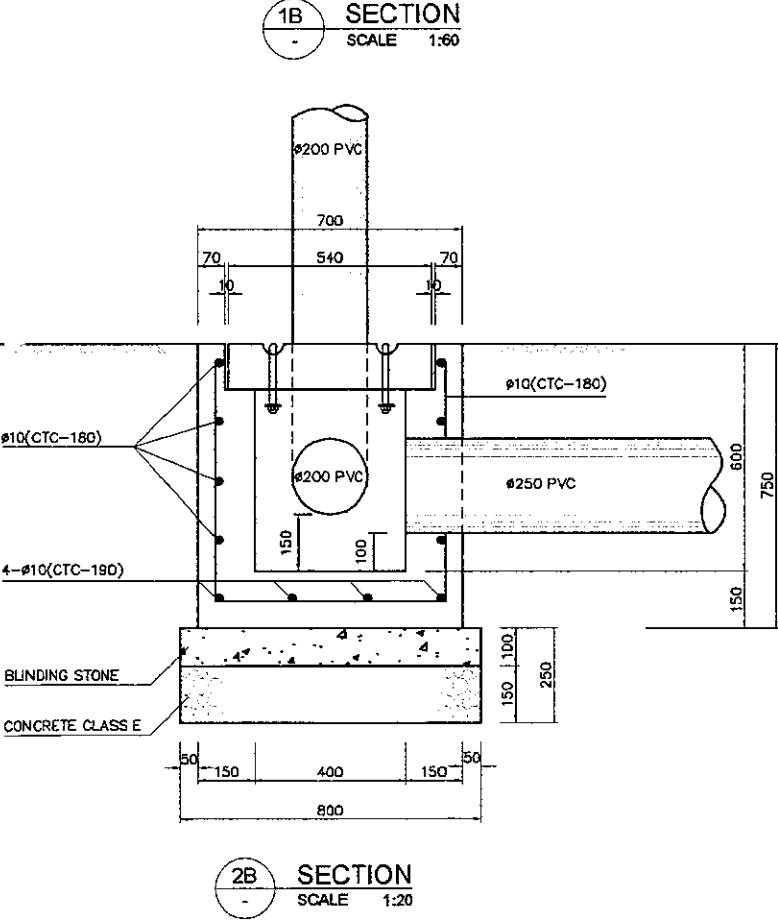
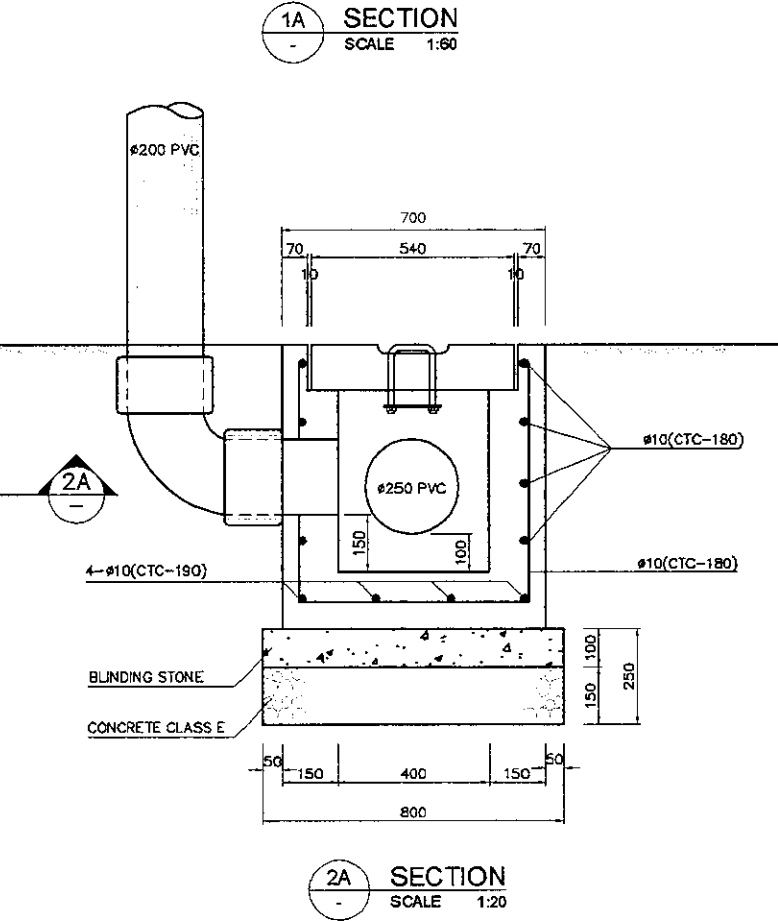
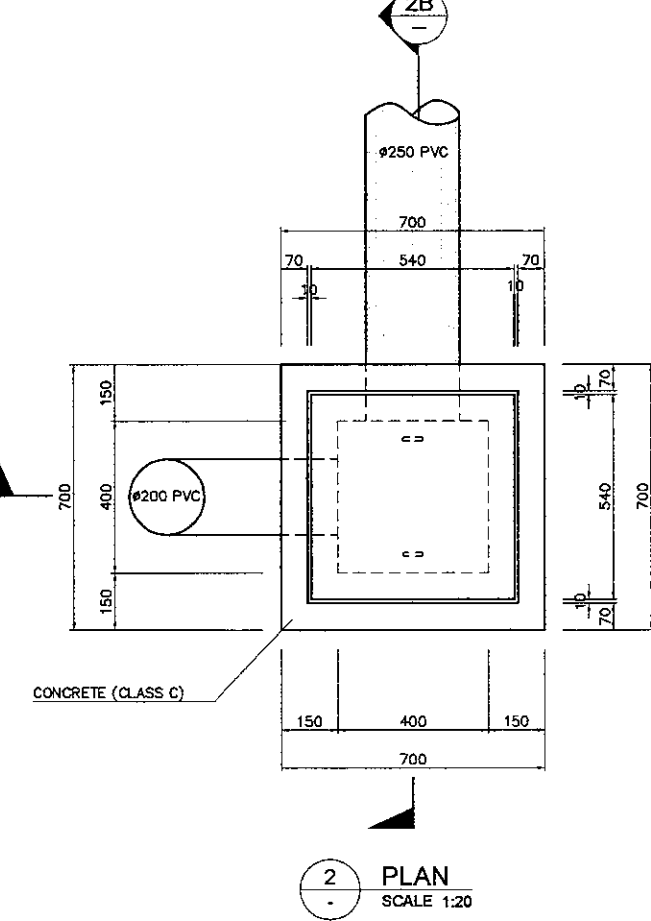
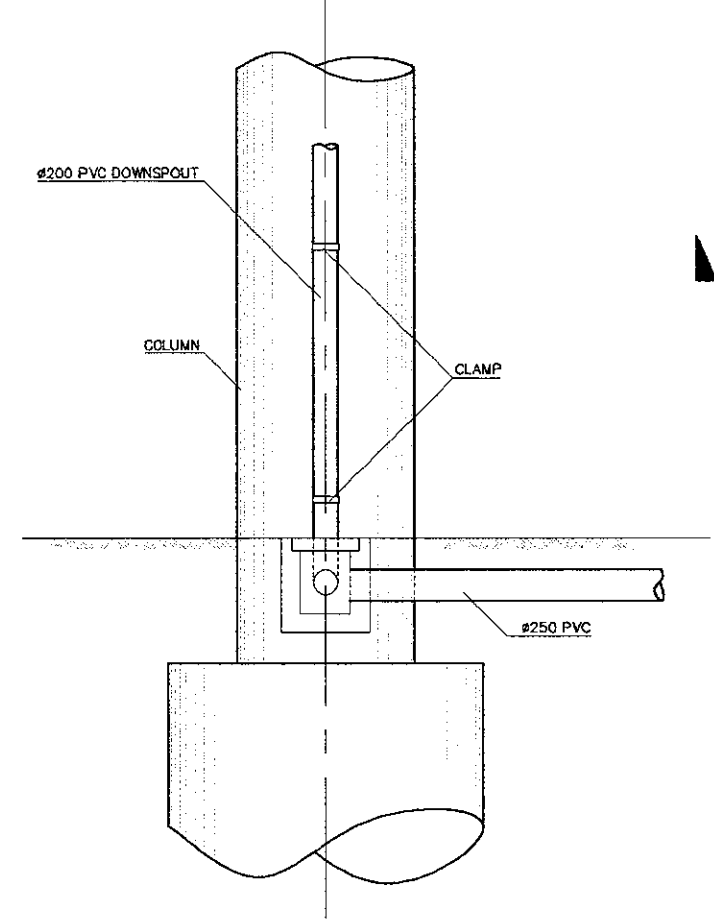
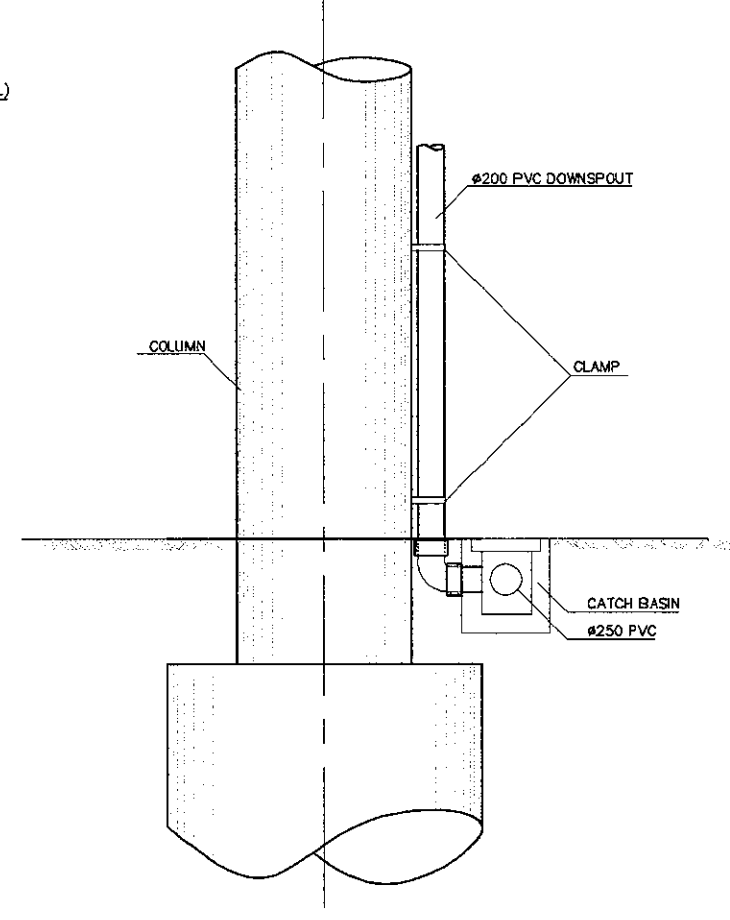
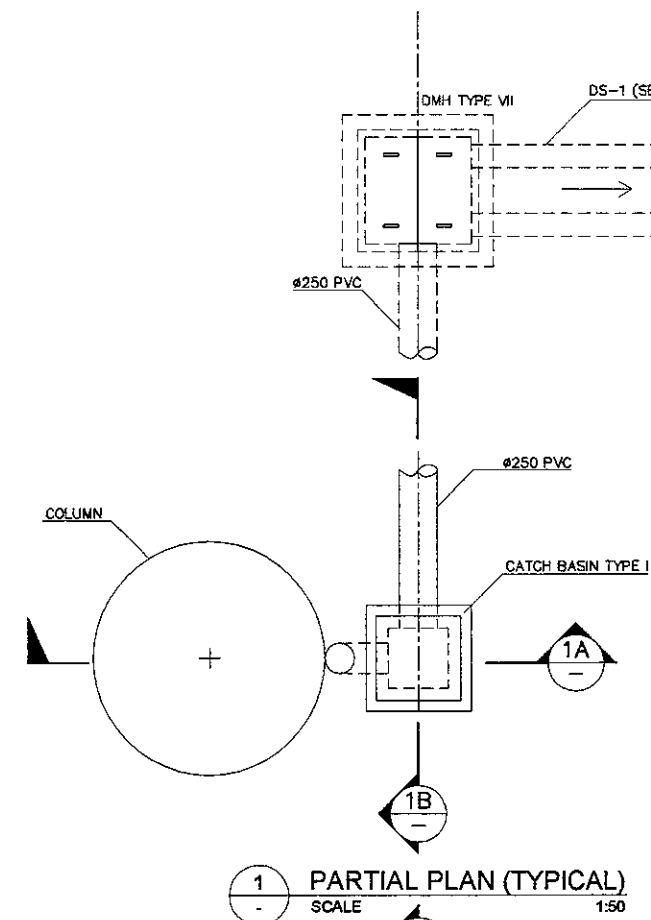
APPROVED BY: Ir. HERRY VAZA M,Eng.Sc
 NIP. : 110038400

Sign: _____	Date: _____
-------------	-------------

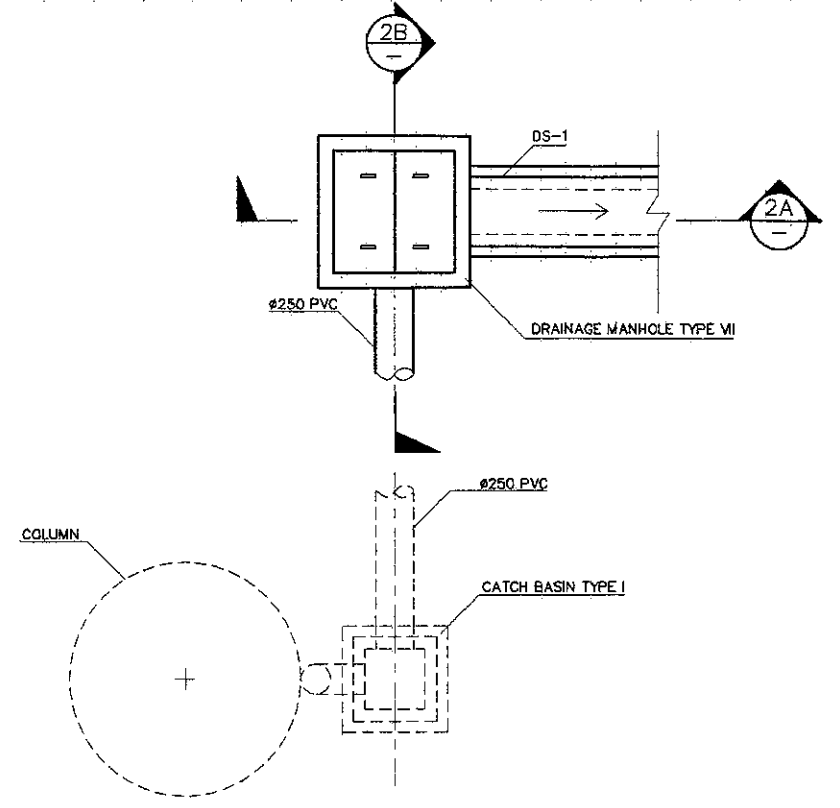
SCALE :

1 : 10
1 : 20
1 : 50
1 : 60

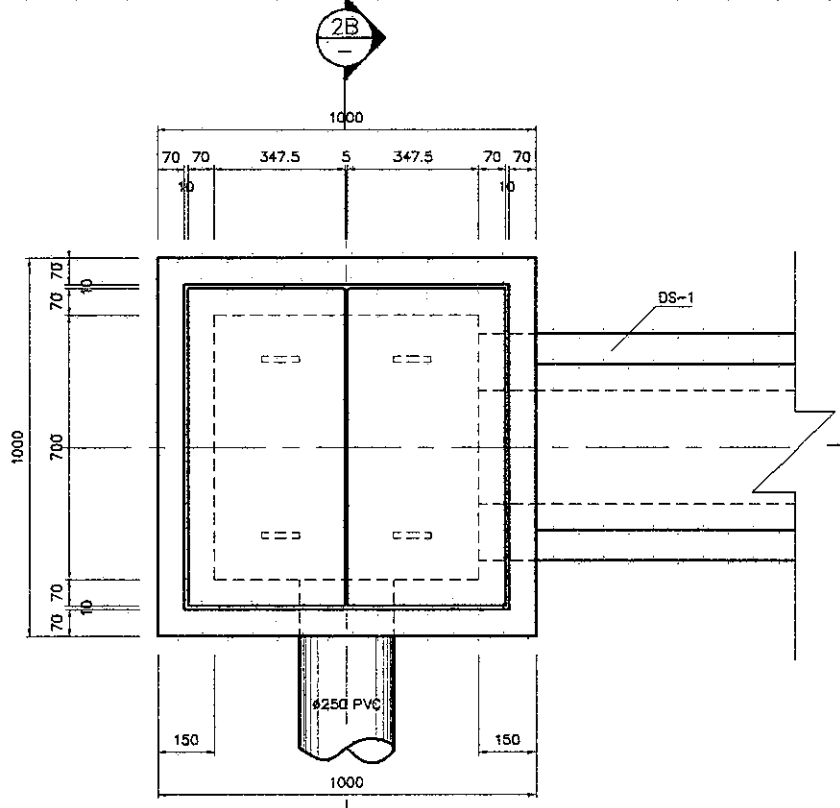
FULL SIZE A3



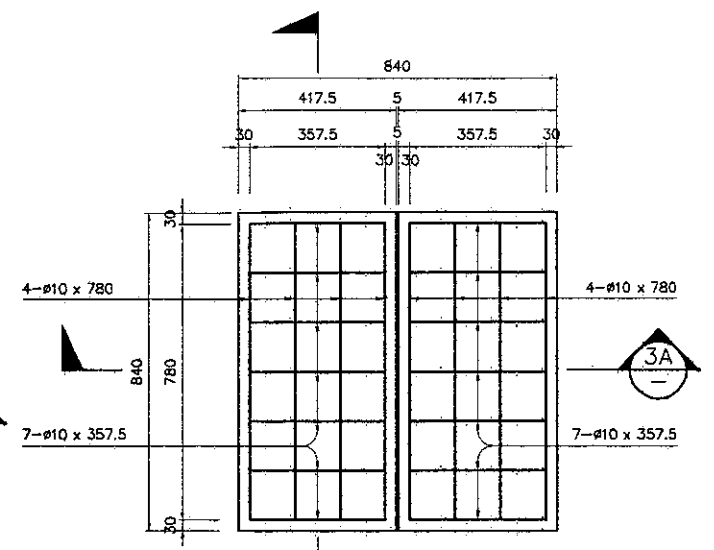
DESIGNED BY	CHECKED BY	SUBMITTED BY
Name R. UENO	Name T. OKUMURA	Name M. KIUCHI
Sign	Sign	Sign
Date	Date	Date



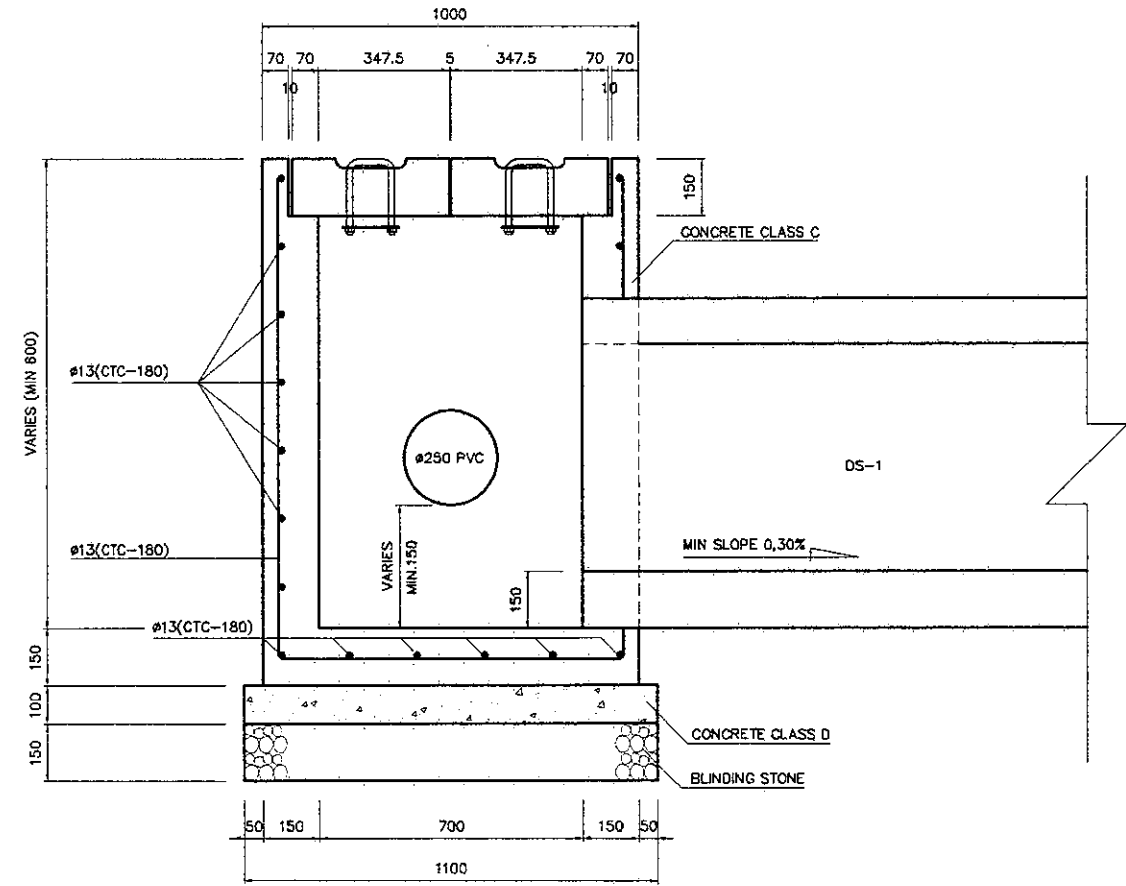
1 PARTIAL PLAN (TYPICAL)
 SCALE 1:50



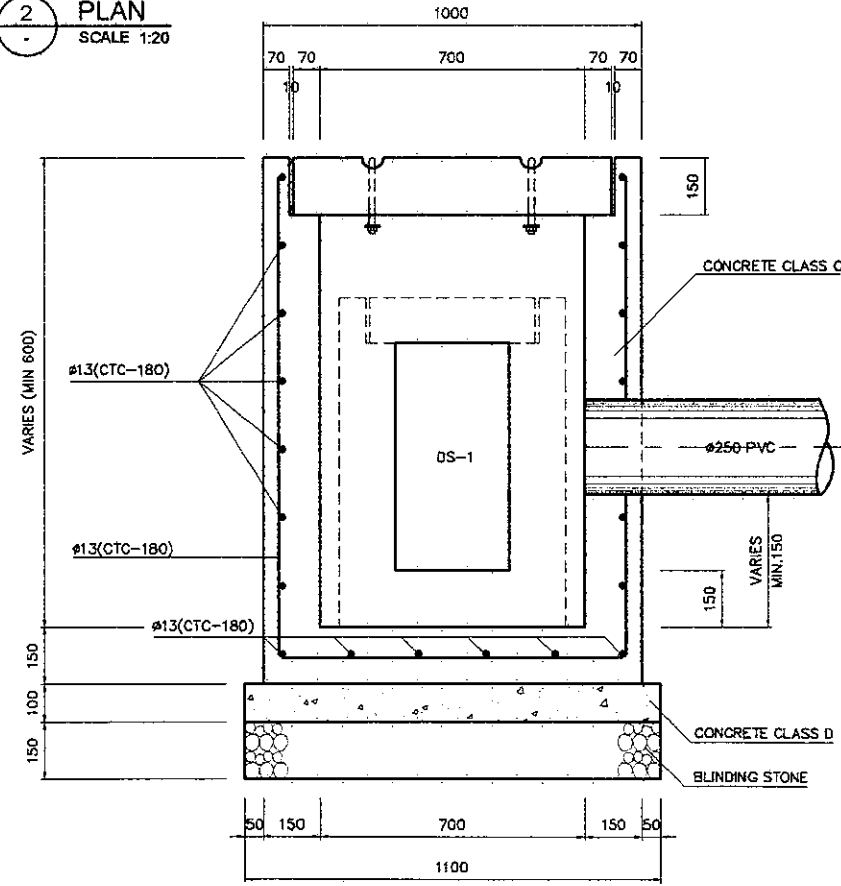
2 PLAN
 SCALE 1:20



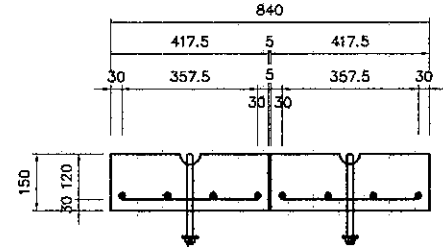
3 PLAN
 SCALE 1:20



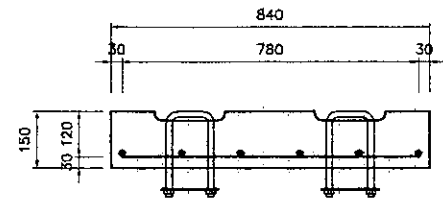
2A SECTION
 SCALE 1:20



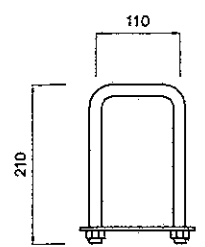
2B SECTION
 SCALE 1:20



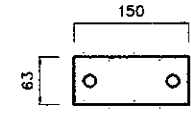
3A SECTION
 SCALE 1:20



3B SECTION
 SCALE 1:20

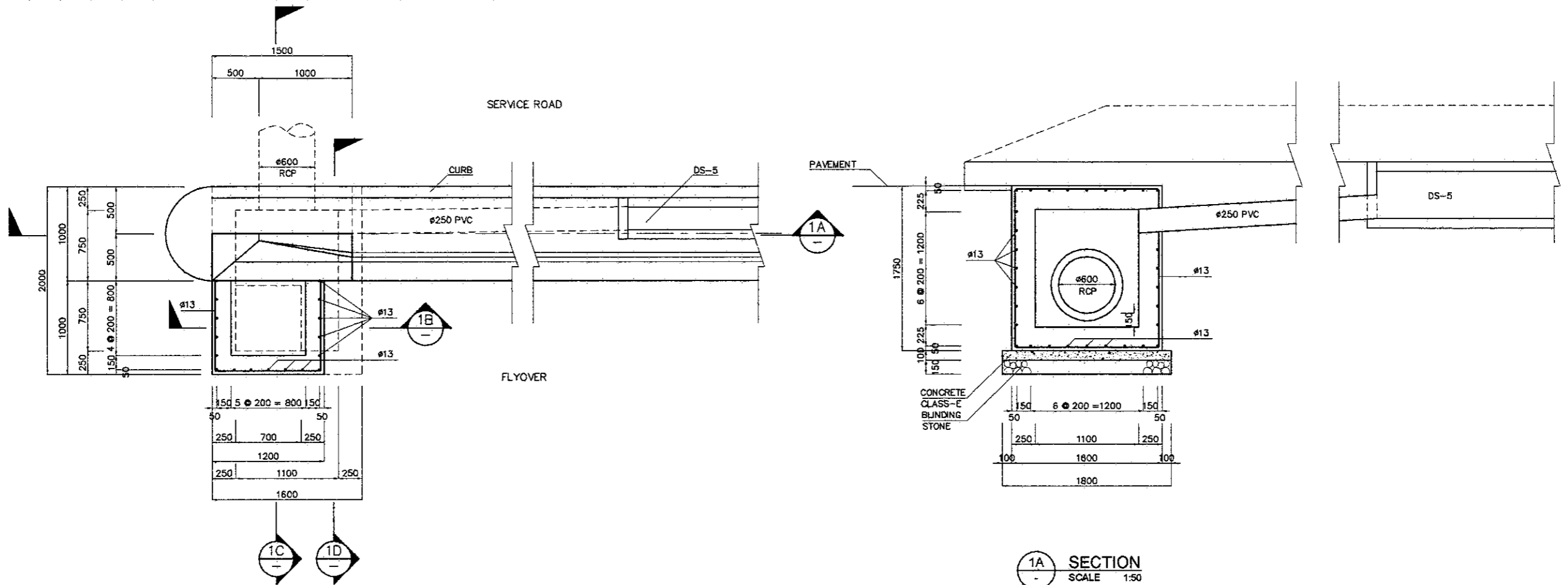


3C ELEVATION
 SCALE 1:10



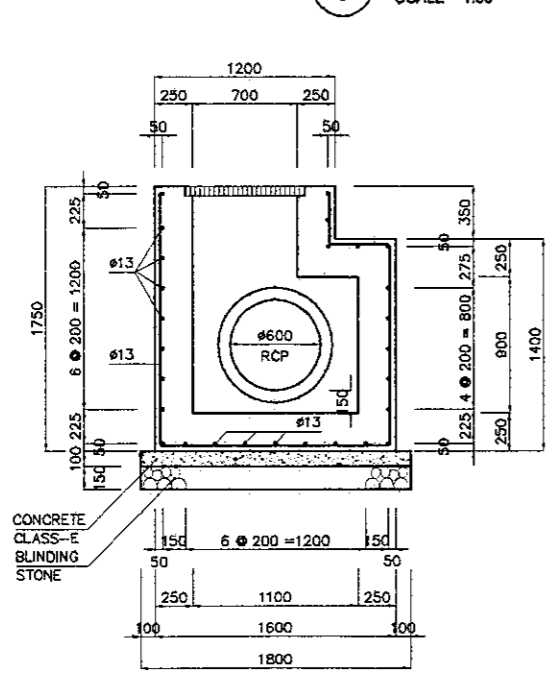
3D PLAN IRON DETAIL
 SCALE 1:10

DESIGNED BY	CHECKED BY	SUBMITTED BY
Name R. UENO	Name T. OKUMURA	Name M. KIUCHI
Sign	Sign	Sign
Date	Date	Date

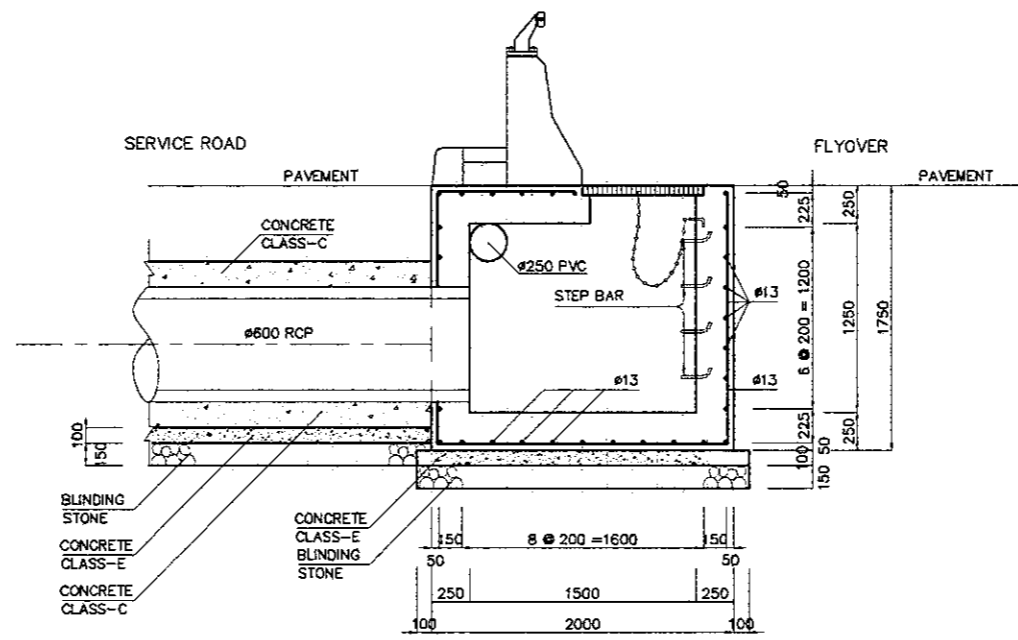


1 PLAN
 SCALE 1:50

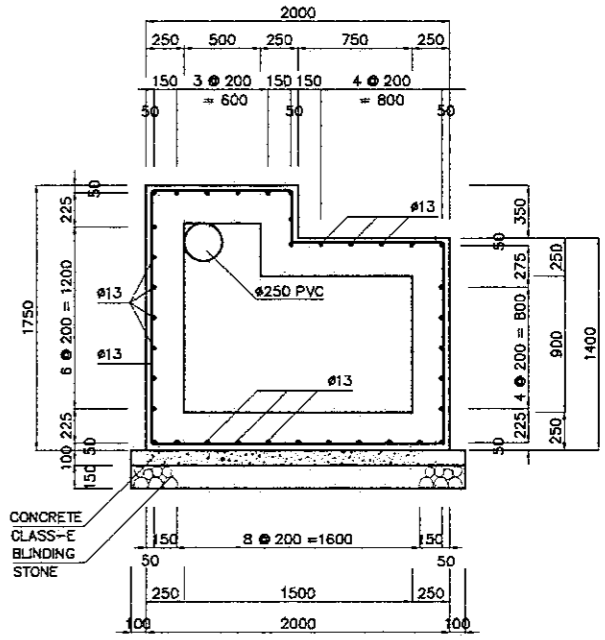
1A SECTION
 SCALE 1:50



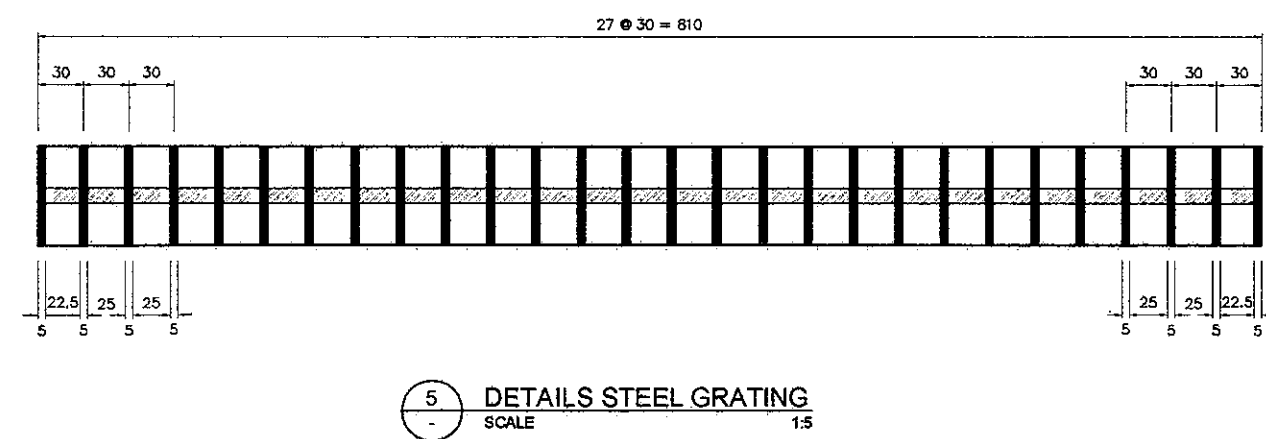
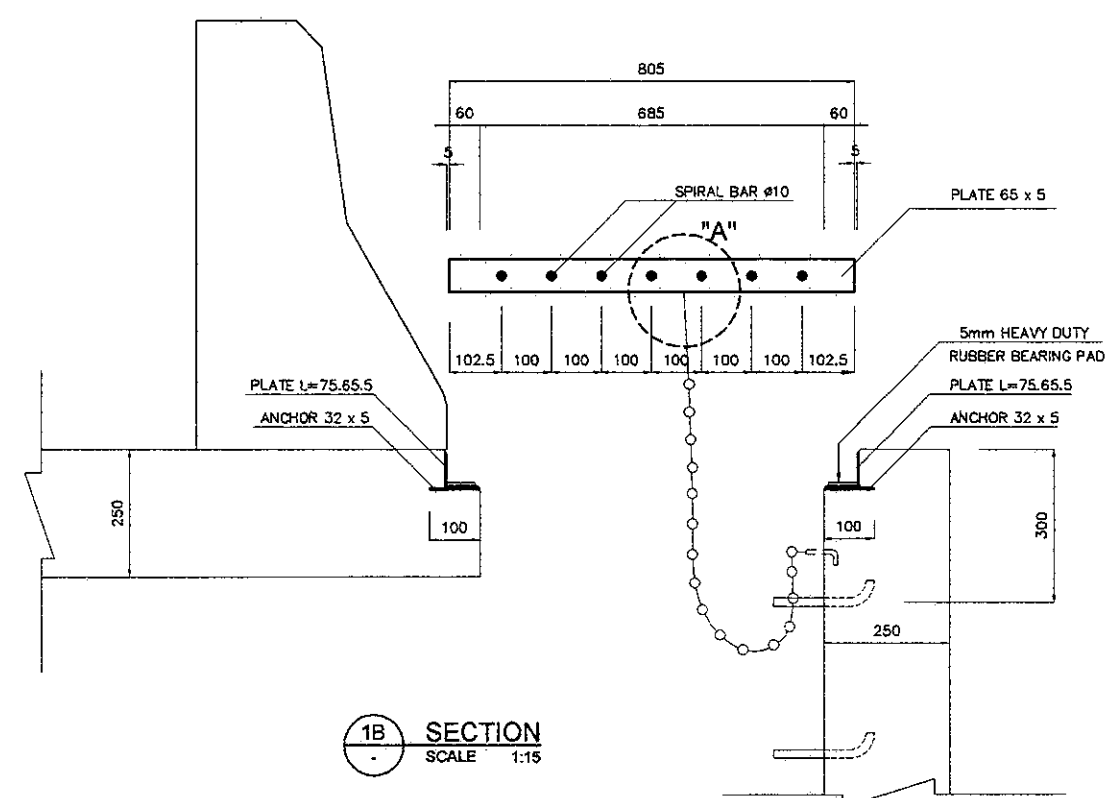
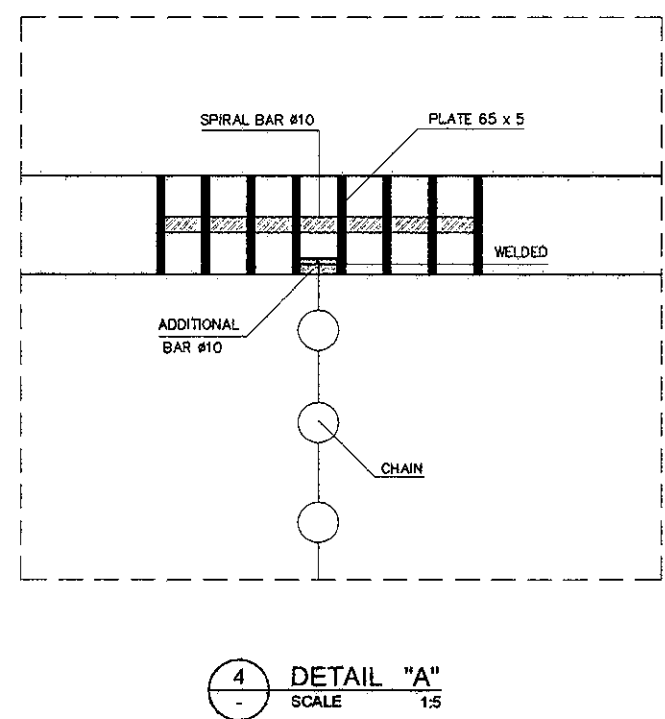
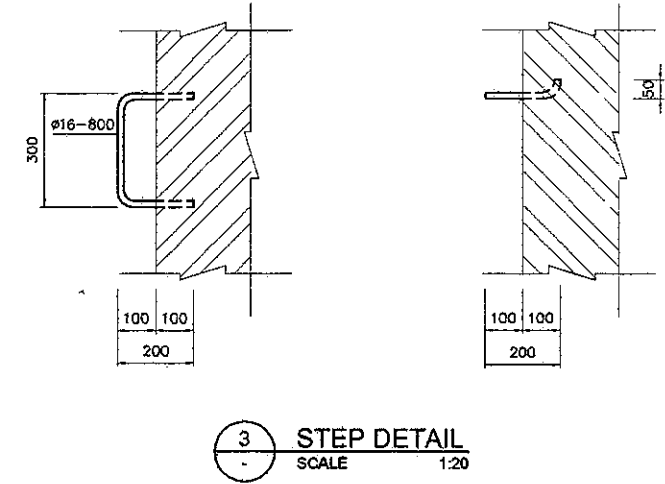
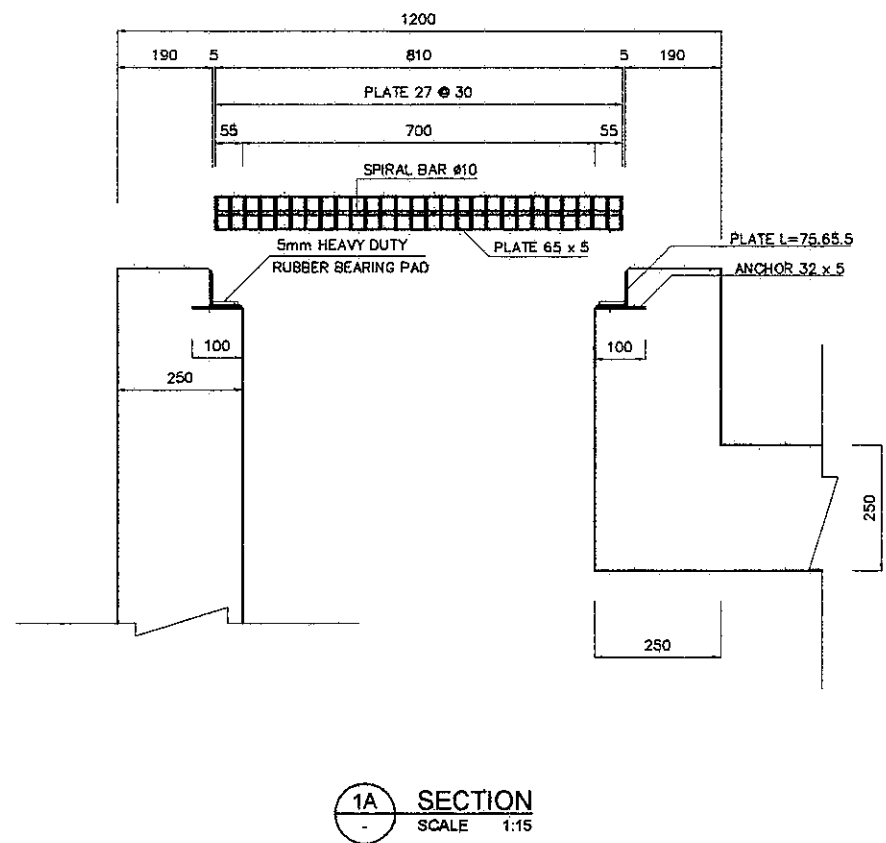
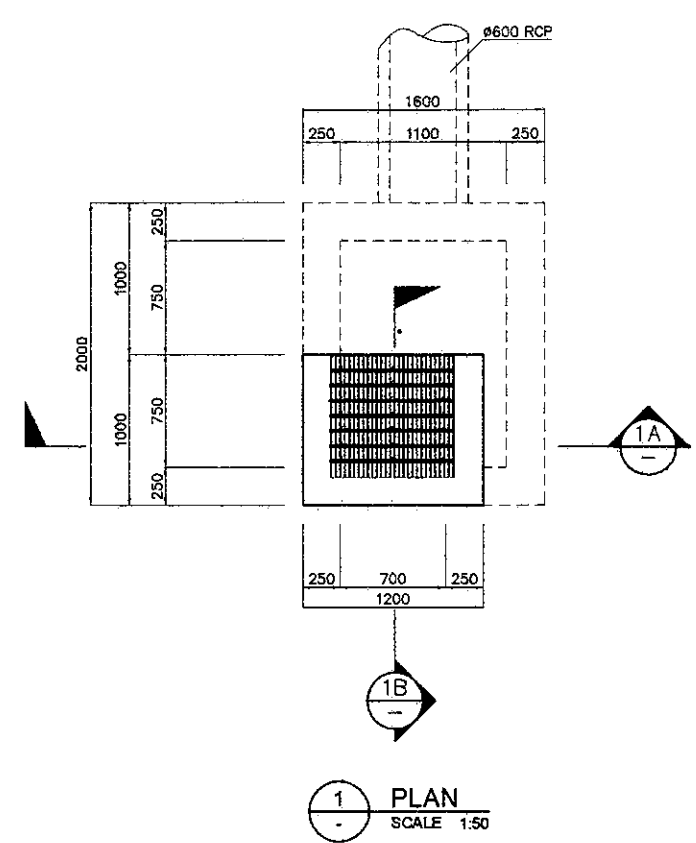
1B SECTION
 SCALE 1:50

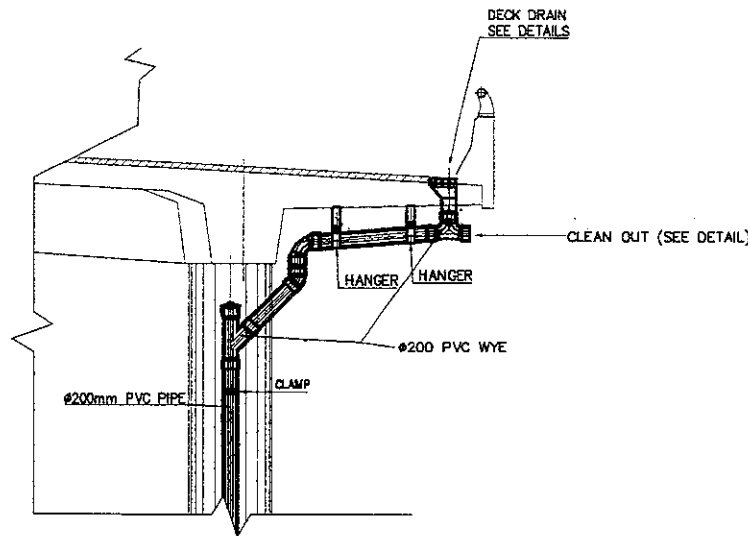


1C SECTION
 SCALE 1:50

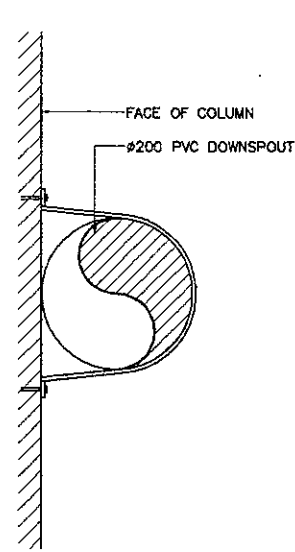


1D SECTION
 SCALE 1:50

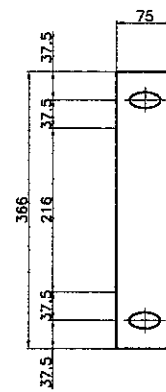




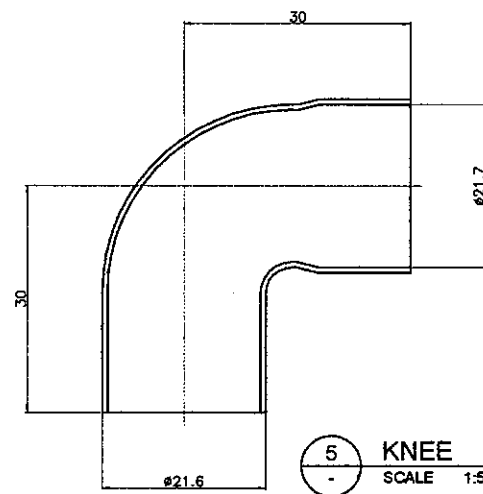
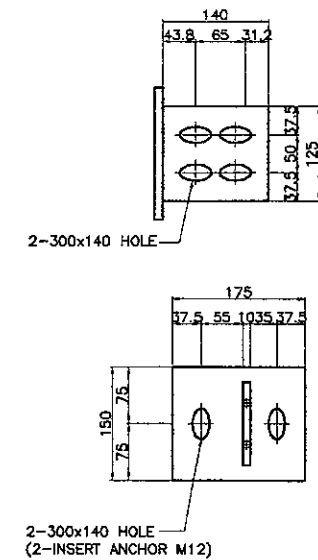
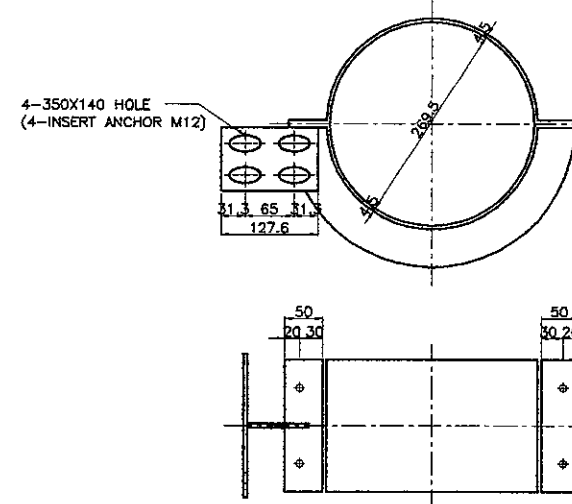
1 DECK DRAIN / DOWNSPOUT DETAIL
 SCALE 1:50



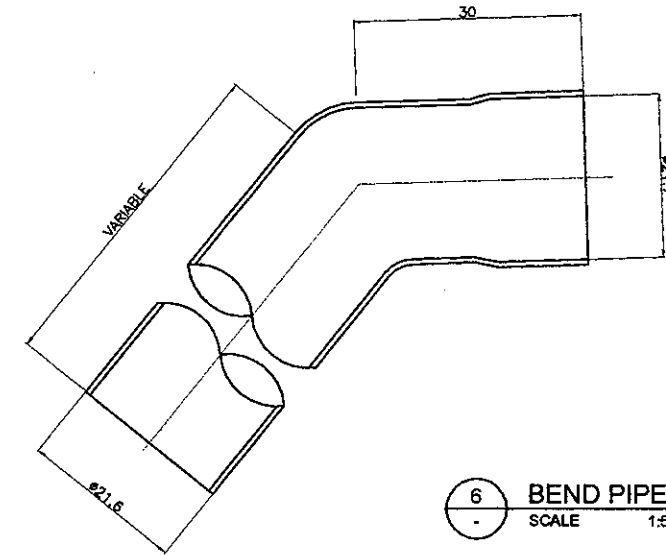
2 CLAMP
 SCALE 1:5



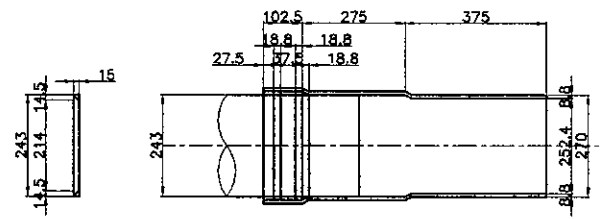
3 BRACKET
 SCALE 1:5



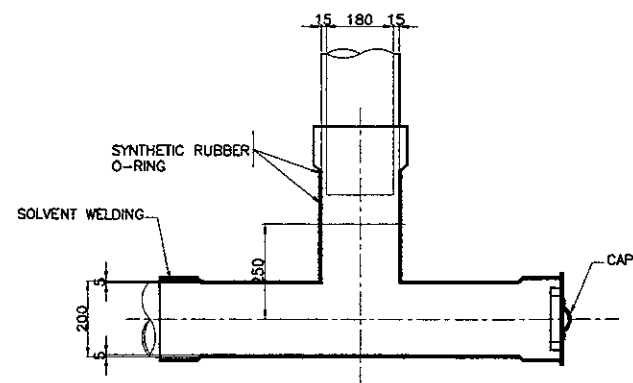
5 KNEE
 SCALE 1:5



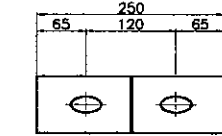
6 BEND PIPE
 SCALE 1:5



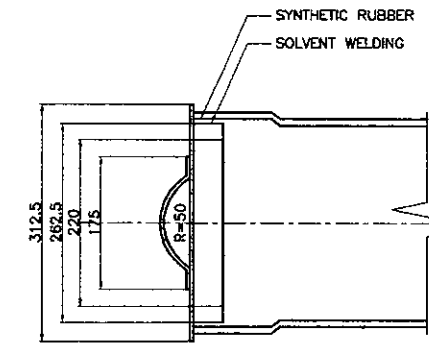
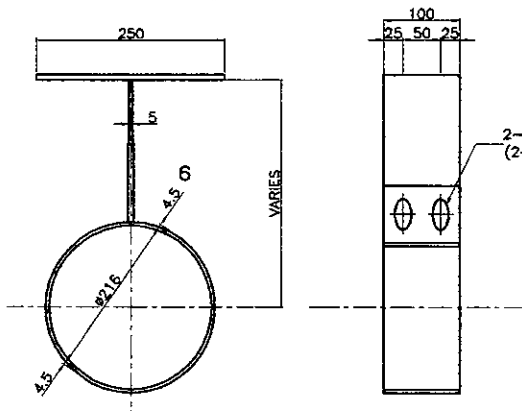
4 HORIZONTAL JOINTING
 SCALE 1:10



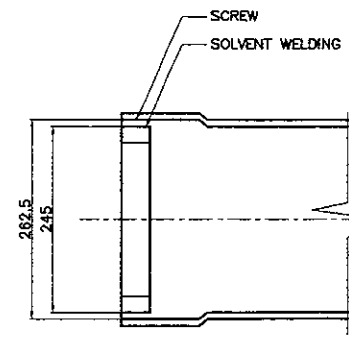
7 VERTICAL JOINTING
 SCALE 1:10



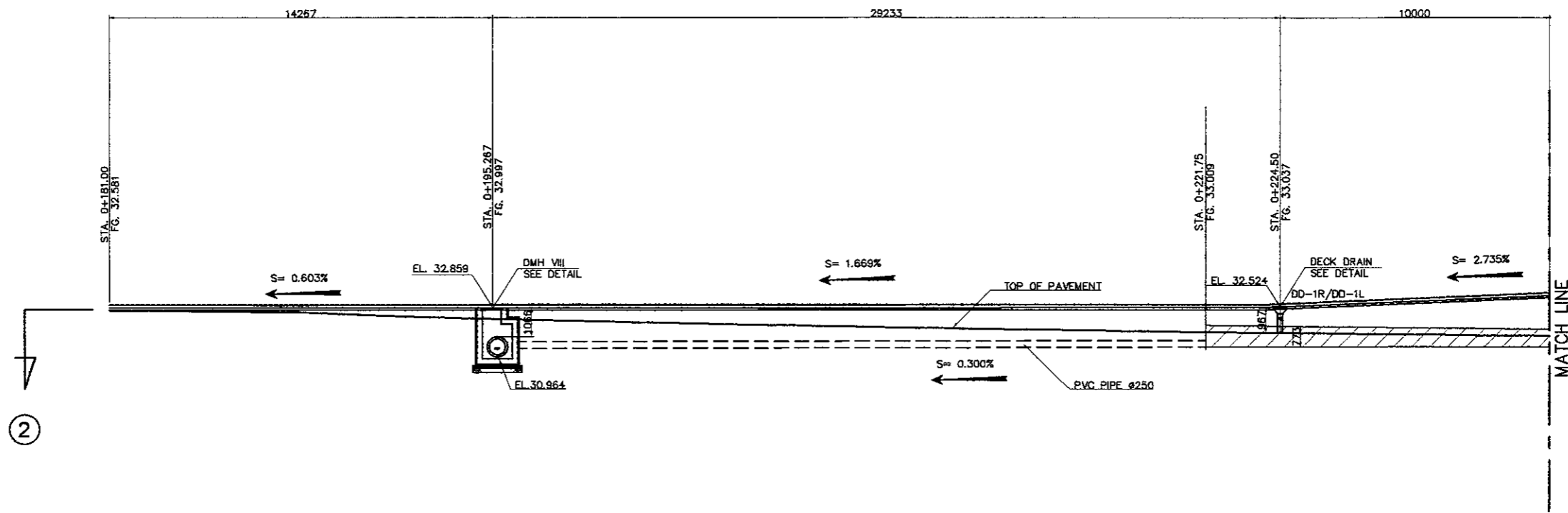
8 HANGER
 SCALE 1:5



9 CLEAN OUT
 SCALE 1:5

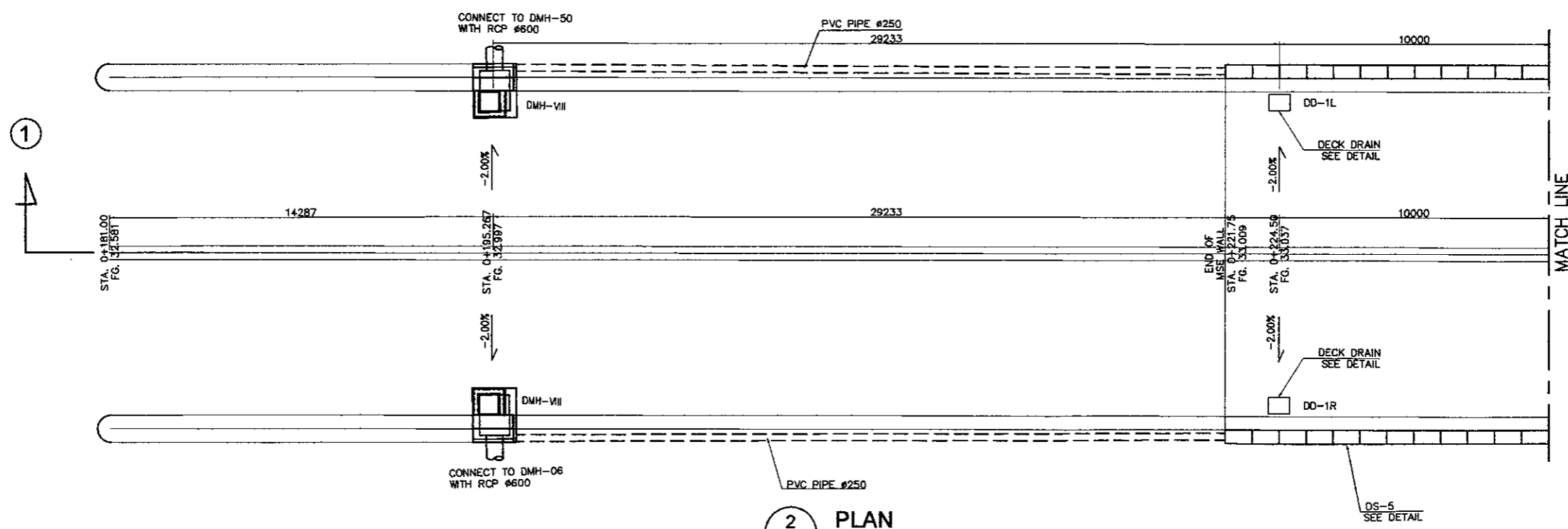


DESIGNED BY	CHECKED BY	SUBMITTED BY
Name R. UENO	Name T. OKUMURA	Name M. KIUCHI
Sign	Sign	Sign
Date	Date	Date



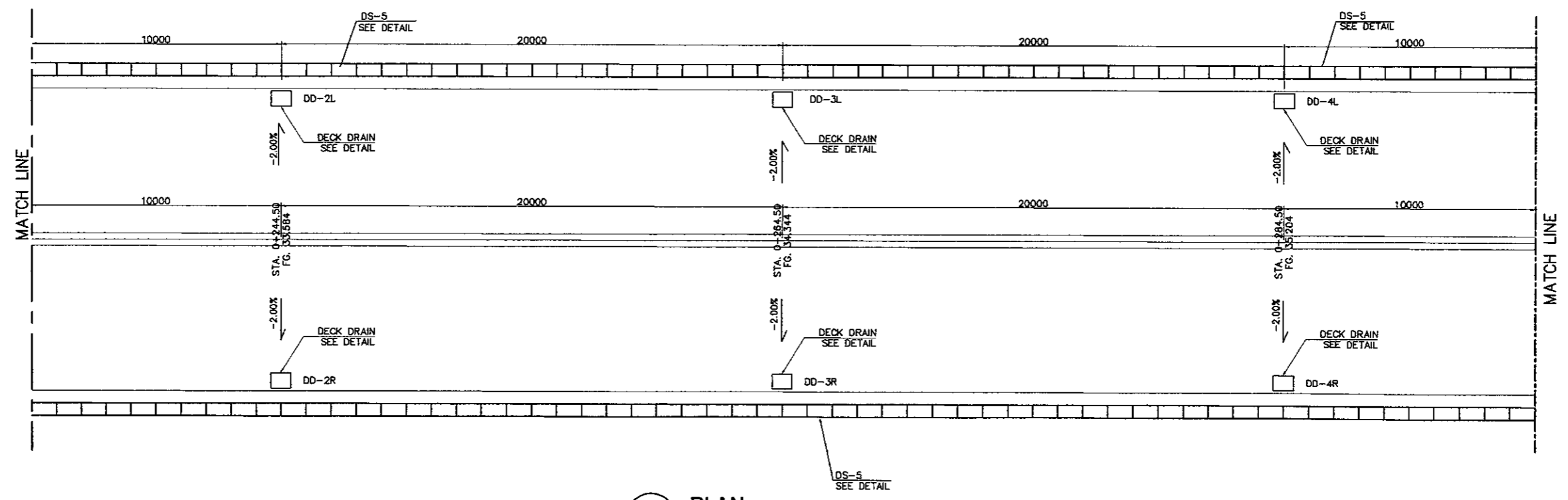
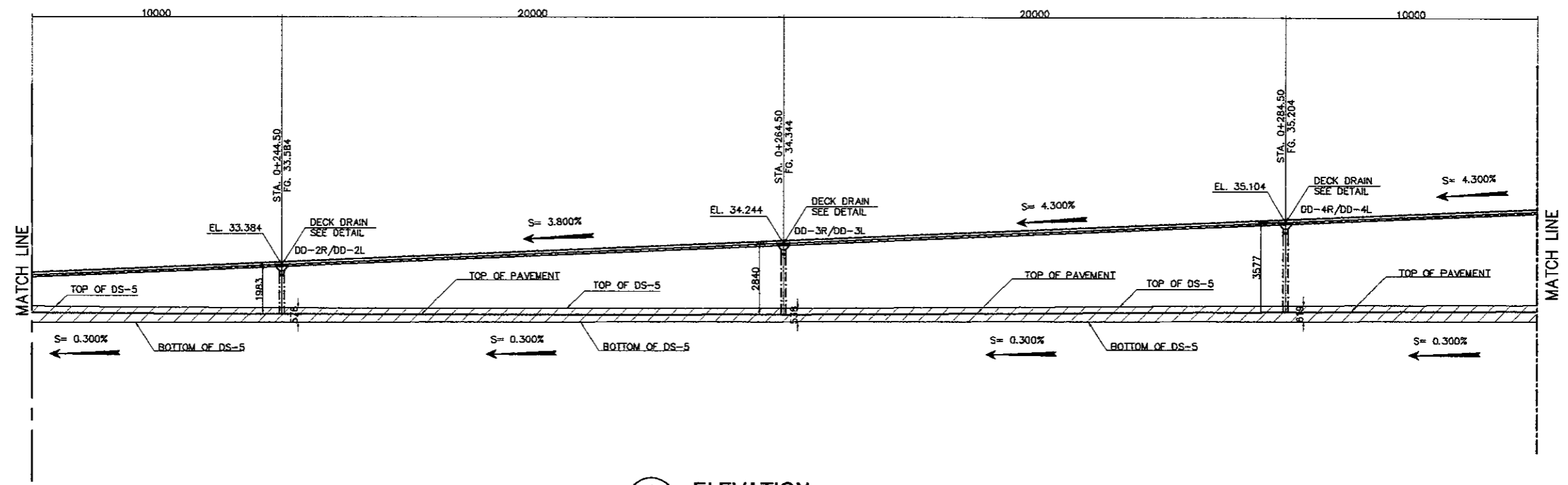
1 ELEVATION

 SCALE 1:200

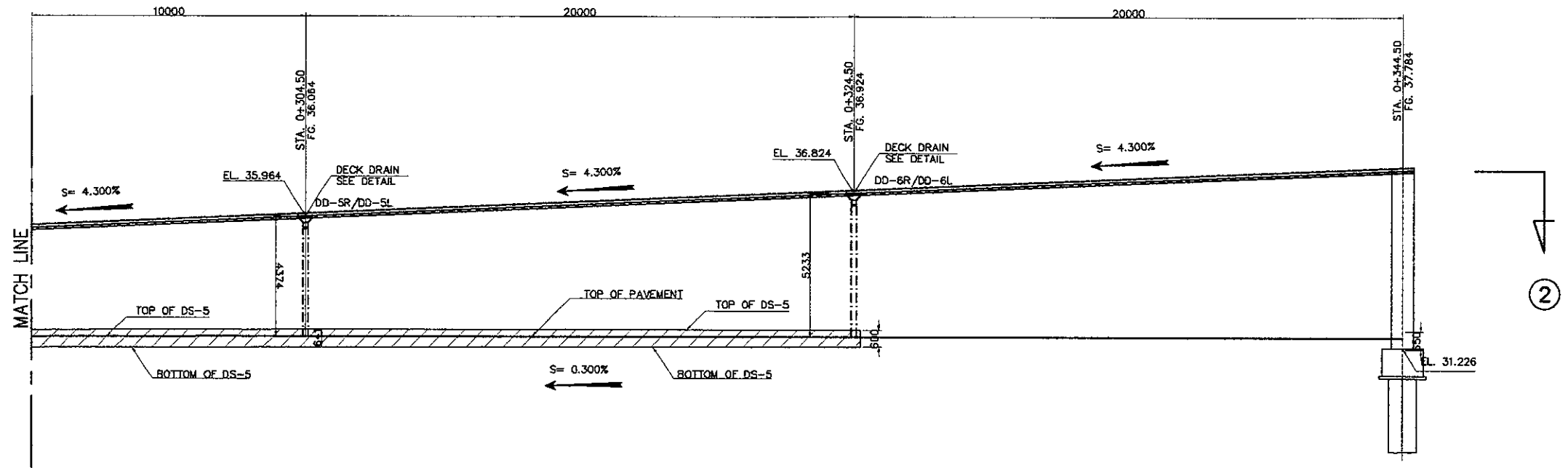


2 PLAN

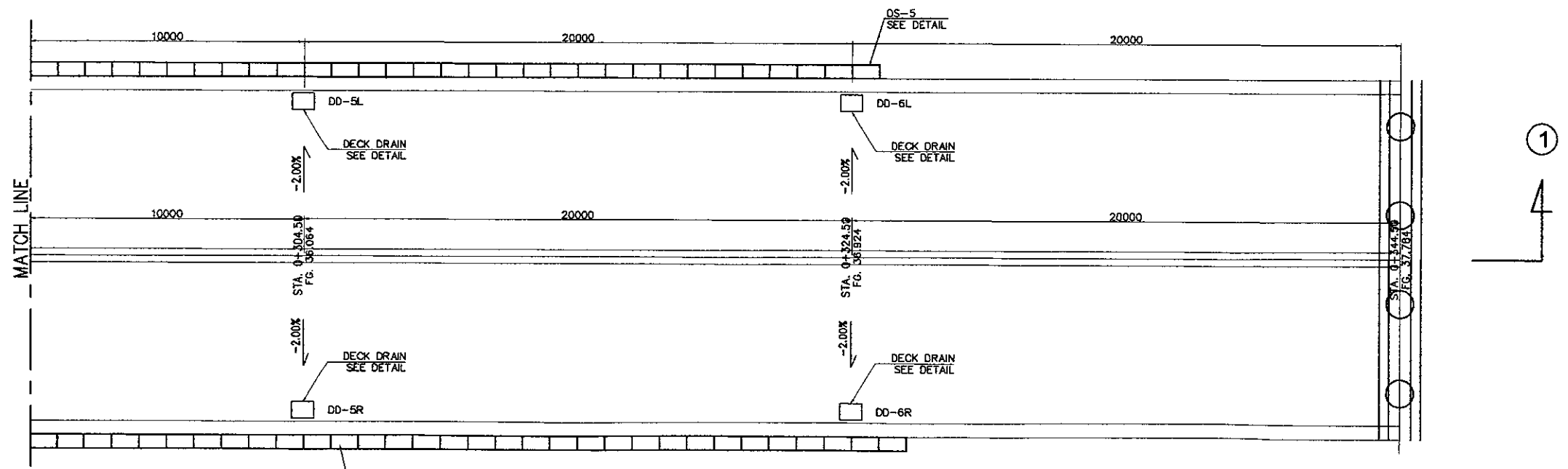
 SCALE 1:200



DESIGNED BY		CHECKED BY		SUBMITTED BY	
Name	R. UEND	Name	T. OKUMURA	Name	M. KIUCHI
Sign		Sign		Sign	
Date		Date		Date	

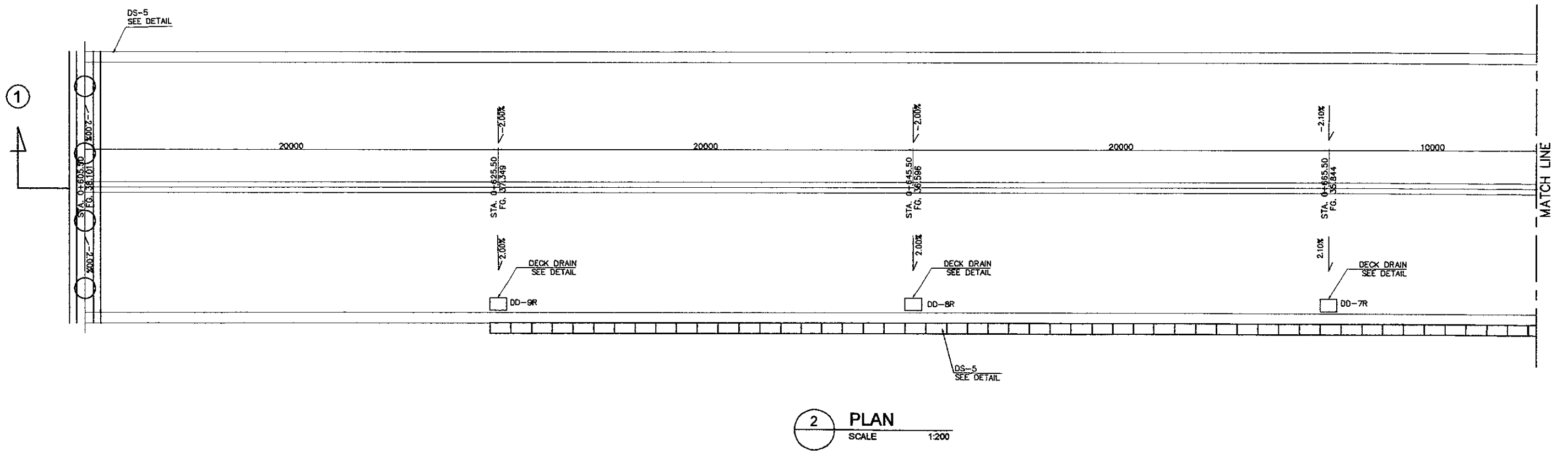
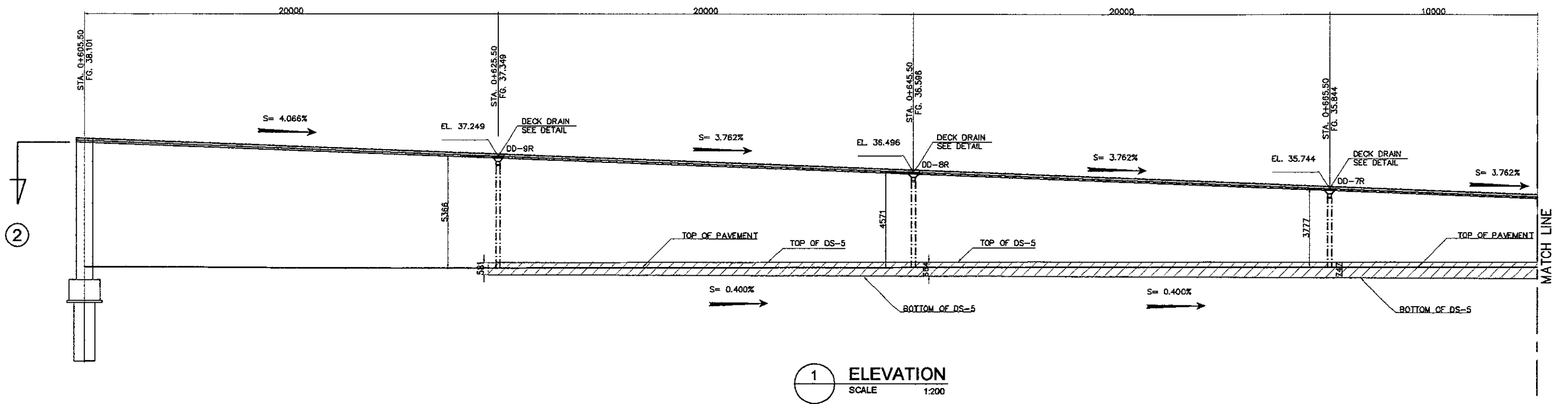


1 ELEVATION
 SCALE 1:200

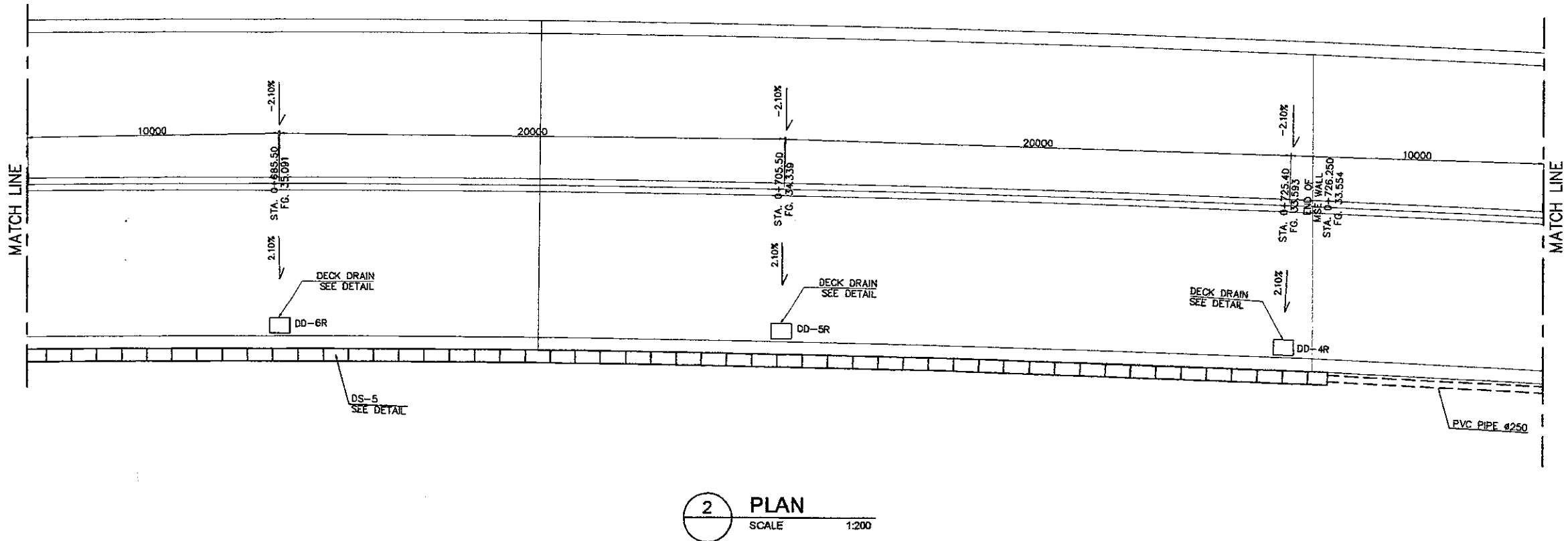
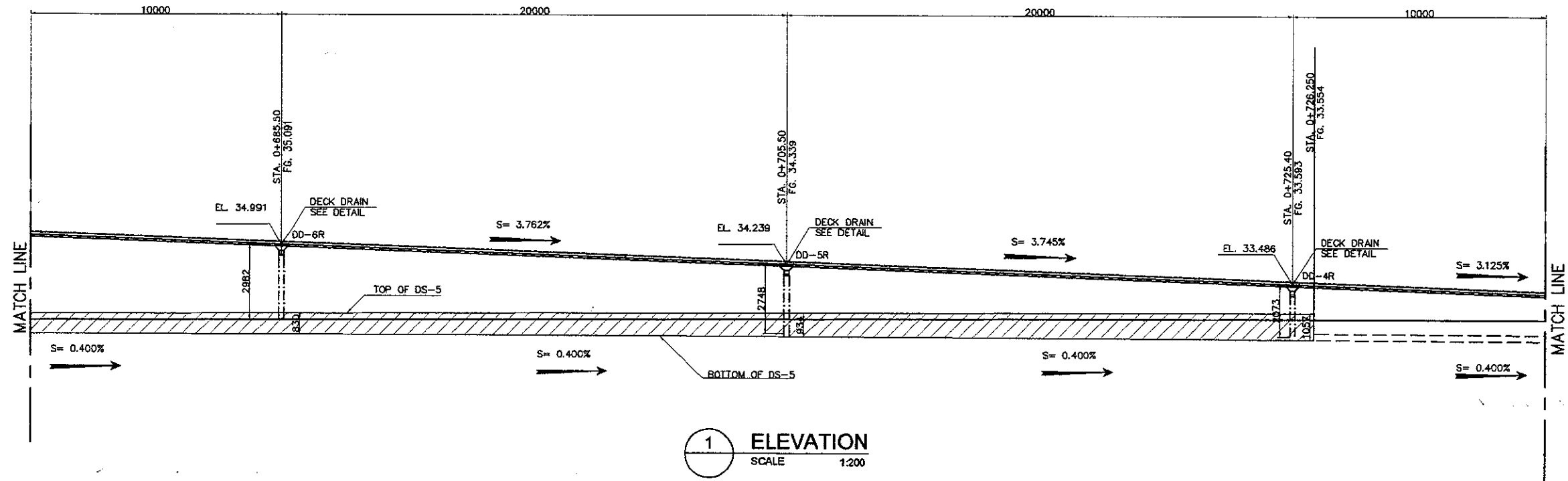


2 PLAN
 SCALE 1:200

DESIGNED BY		CHECKED BY		SUBMITTED BY	
Name	R. UENO	Name	T. OKUMURA	Name	M. KIUCHI
Sign		Sign		Sign	
Date		Date		Date	

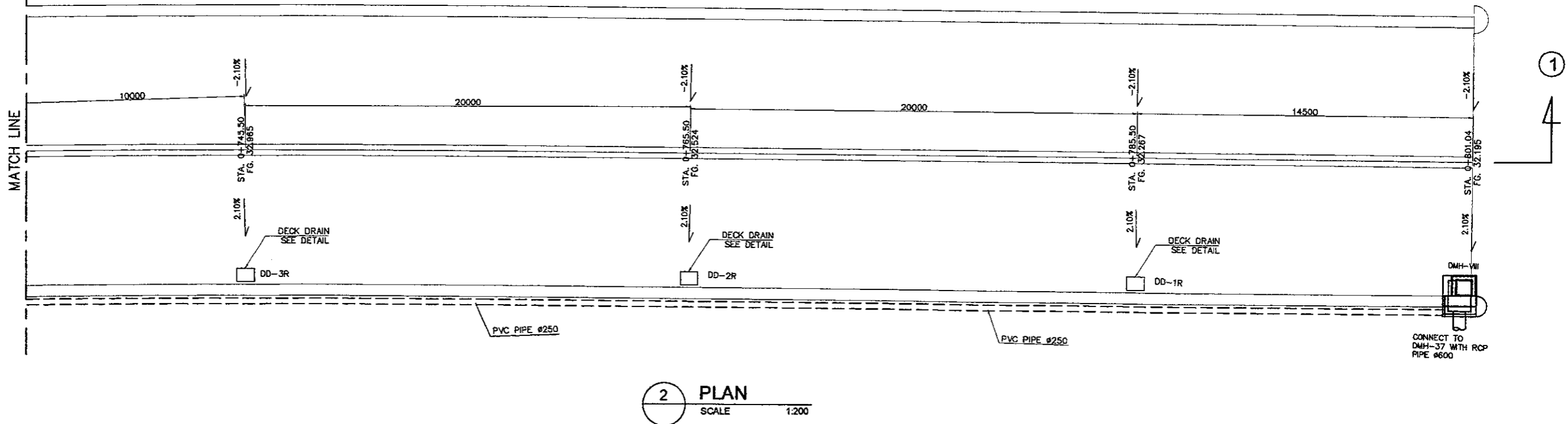
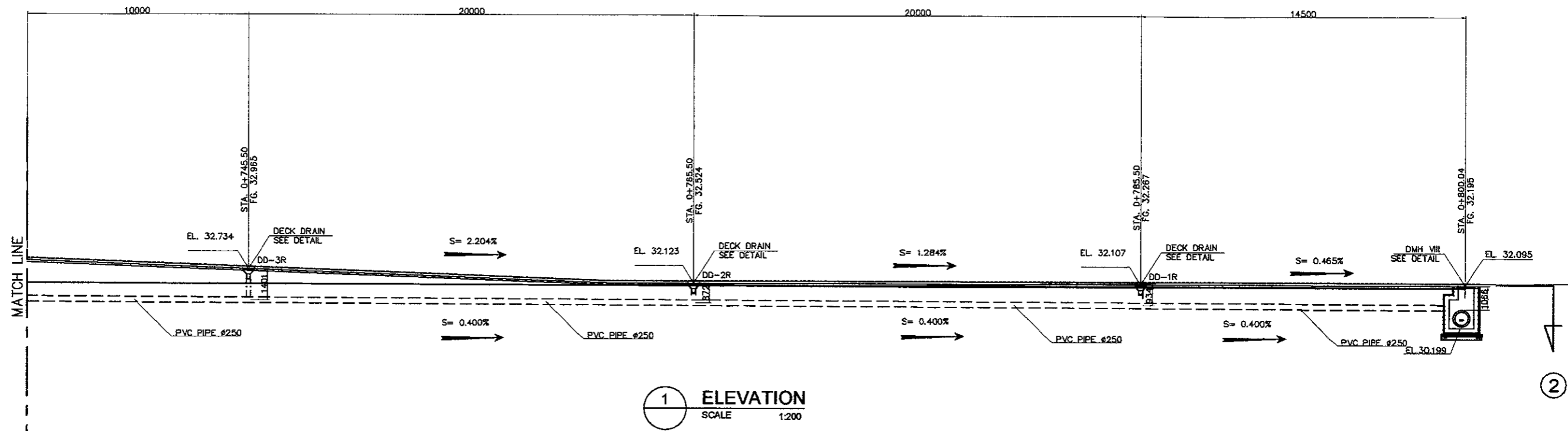


DESIGNED BY		CHECKED BY		SUBMITTED BY	
Name	R. UENO	Name	T. OKUMURA	Name	M. KIUCHI
Sign		Sign		Sign	
Date		Date		Date	

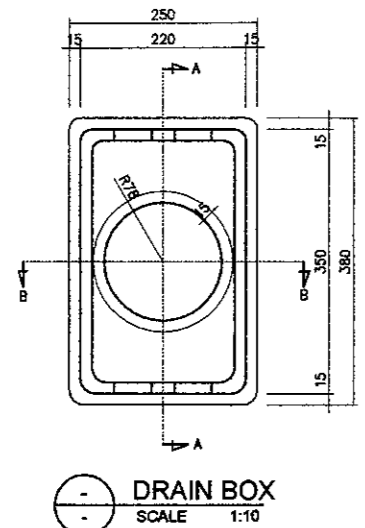


DESIGNED BY		CHECKED BY		SUBMITTED BY	
Name	R. UENO	Name	T. OKUMURA	Name	M. KUCHI
Sign		Sign		Sign	
Date		Date		Date	

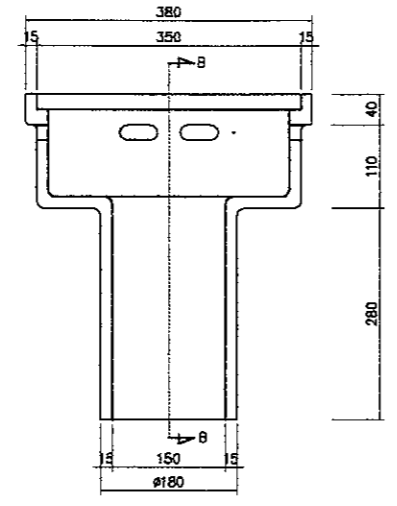
APPROVED BY	
Ir. HERRY VAZA M,Eng.Sc	Sign
NIP. : 110038400	Date



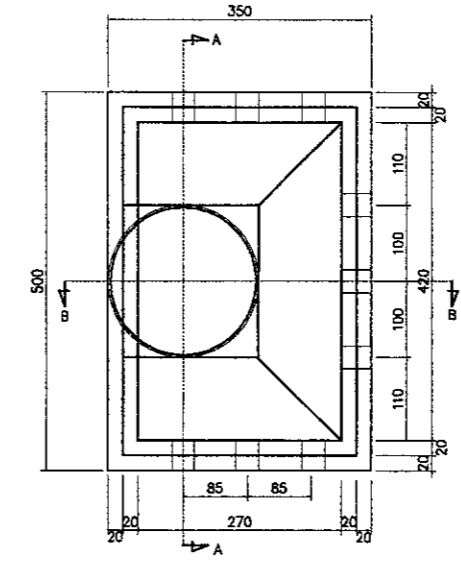
CONNECT TO DMH-37 WITH RCP PIPE #600



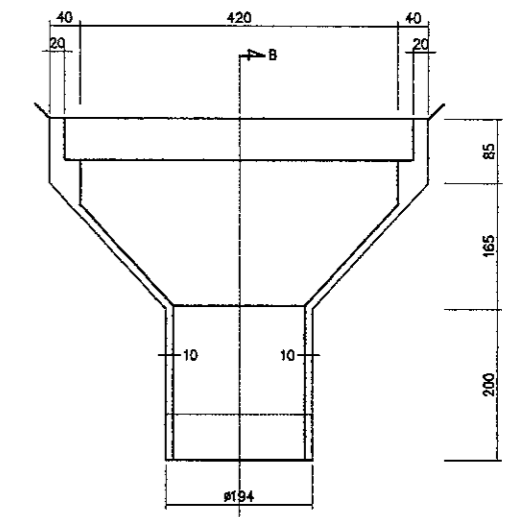
DRAIN BOX
 SCALE 1:10



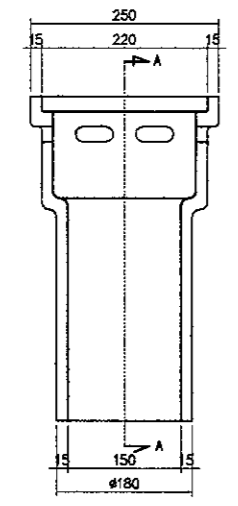
SECTION A
 SCALE 1:10



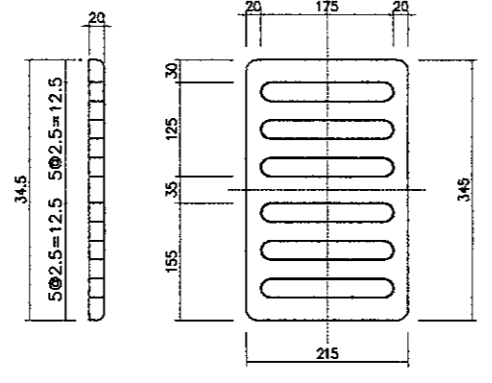
DRAIN BOX
 SCALE 1:10



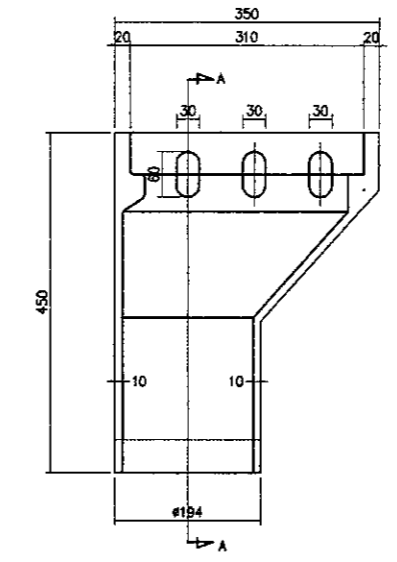
SECTION A
 SCALE 1:10



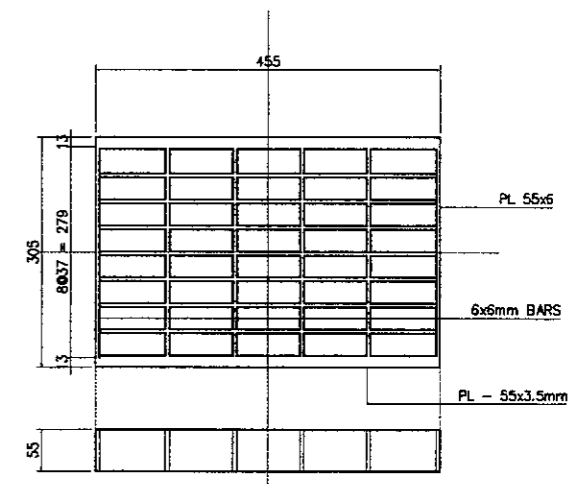
SECTION B
 SCALE 1:10



SCREEN
 SCALE 1:10



SECTION B
 SCALE 1:10



SCREEN
 SCALE 1:10

LIST OF DECK DRAIN (PER ONE)

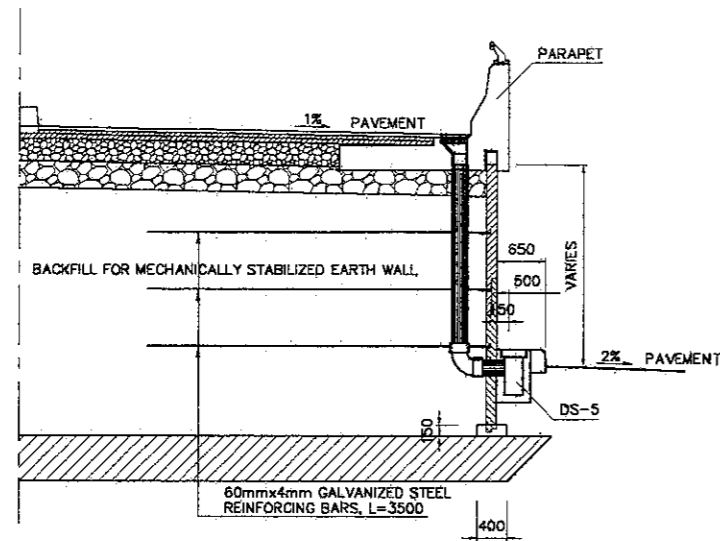
NO	NAME	QUALITY	EACH	WEIGHT
①	BOX	CAST IRON FC 25	1	40.9
②	SCREEN	SC 46	1	7.4
③	CHAIN	SS 41	1	0.1
④	WIRE NET	-	1	0.6
TOTAL WEIGHT				49.0 kg

LIST OF DECK DRAIN (PER ONE)

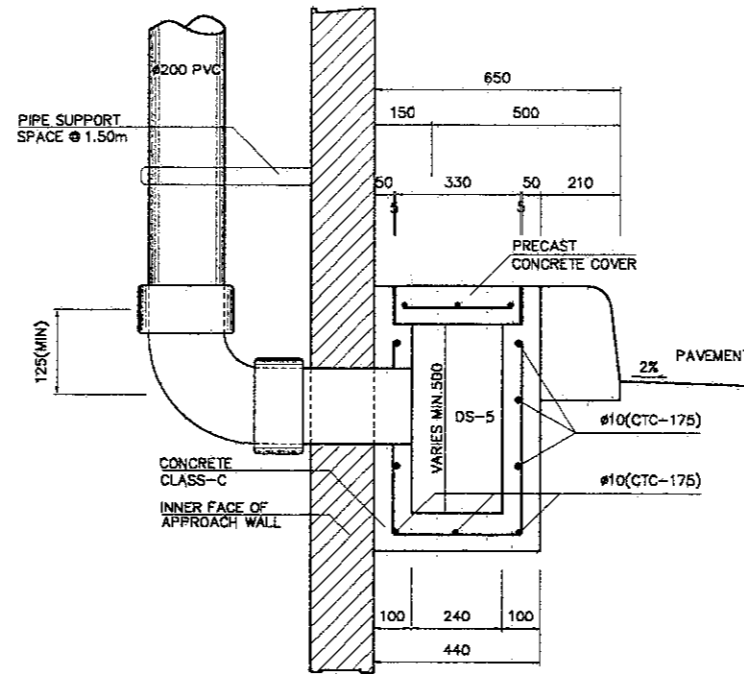
NO	NAME	QUALITY	EACH	WEIGHT
①	BOX	CAST IRON FC 25	1	40.9
②	SCREEN	SC 46	1	7.4
③	CHAIN	SS 41	1	0.1
④	WIRE NET	-	1	0.6
TOTAL WEIGHT				49.0 kg

DECK DRAIN TYPE 1
 SCALE 1:10

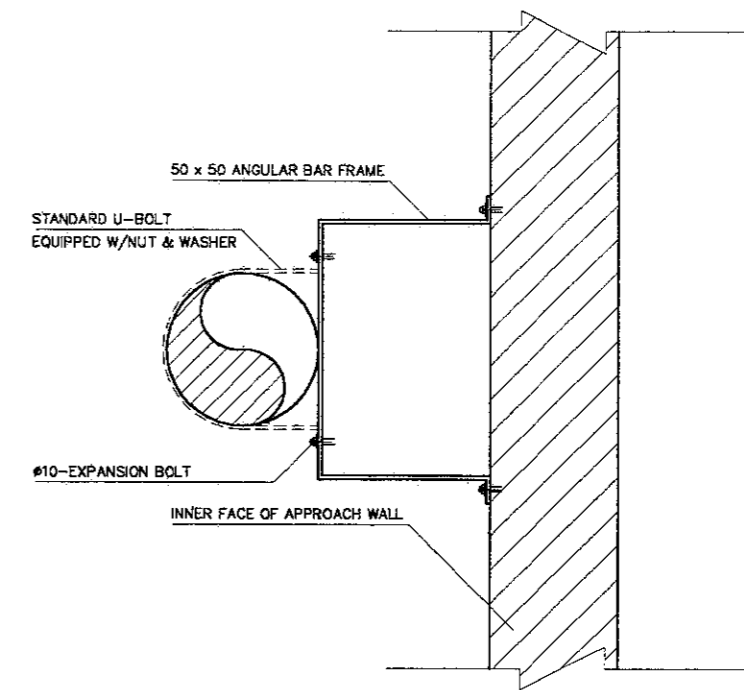
DECK DRAIN TYPE 2
 SCALE 1:10



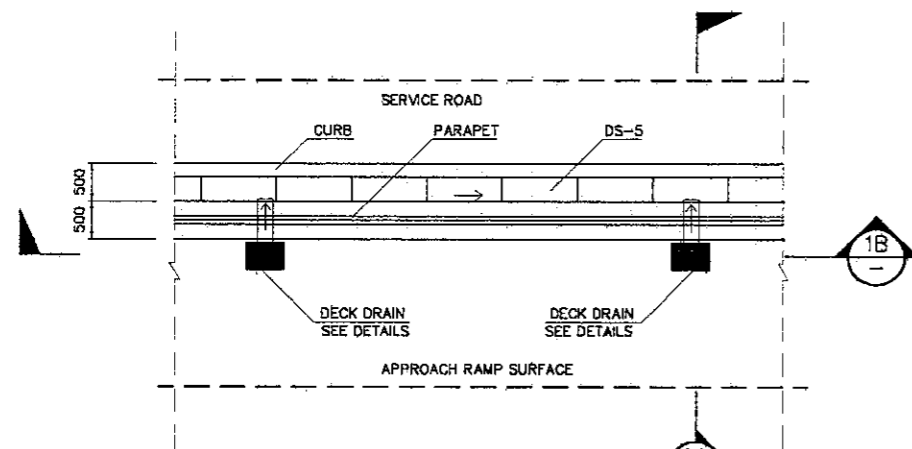
1A ELEVATION
 SCALE 1:100



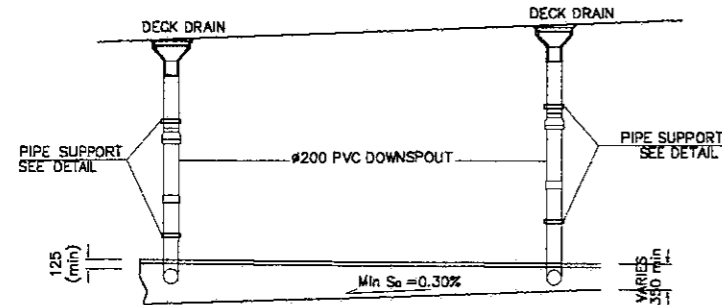
2A DS-5 DETAILS
 SCALE 1:20



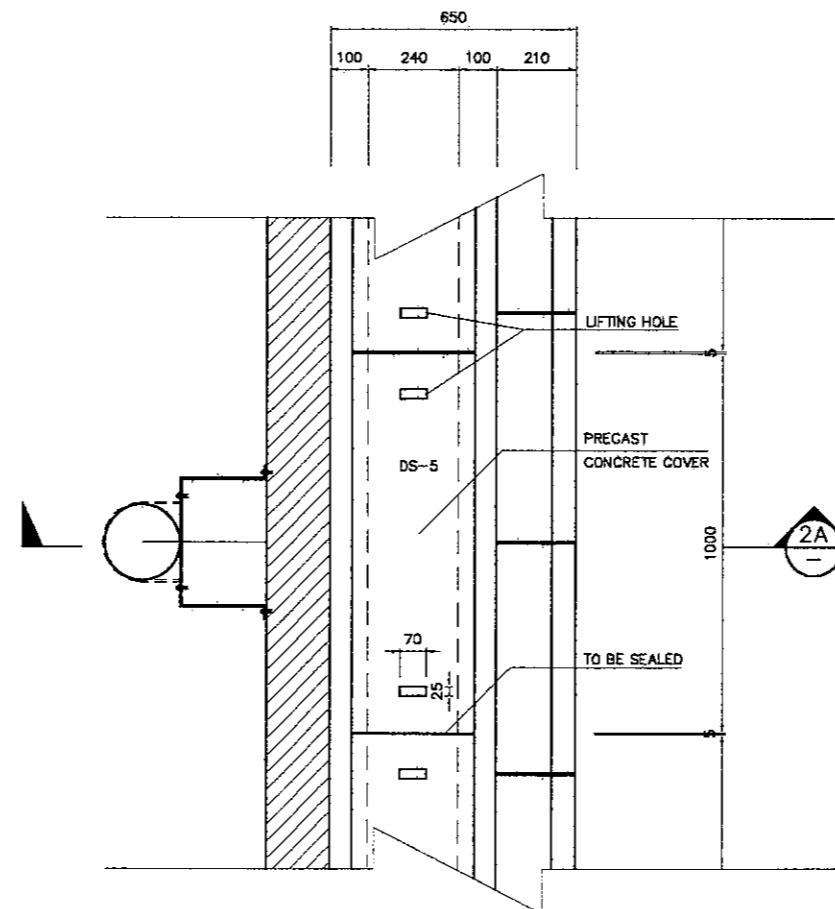
3 PIPE SUPPORT DETAIL
 NO TO SCALE



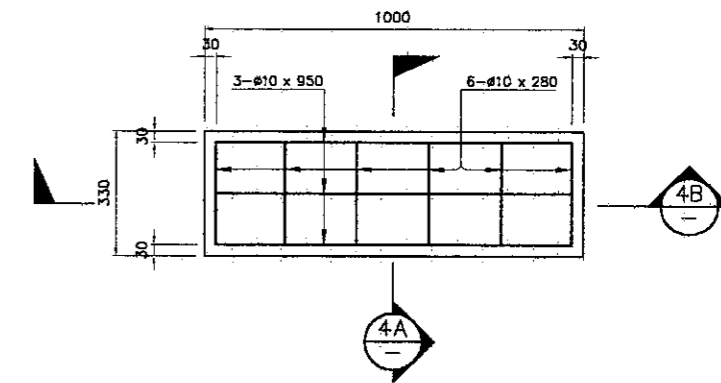
1 PARTIAL PLAN
 SCALE 1:100



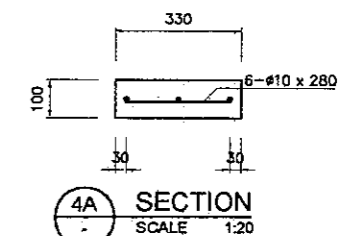
1B SECTION
 SCALE 1:100



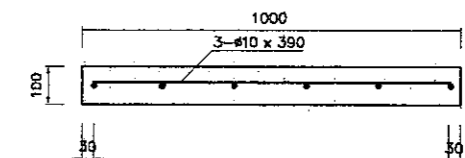
2 PLAN
 SCALE 1:20



4 PLAN AT DS-5 COVER
 SCALE 1:20



4A SECTION
 SCALE 1:20



4B SECTION
 SCALE 1:20