

PLAN

NOTE:

FOUR CLASS ROOMS TYPE (D)

THE OUTLINE DESIGN STUDY ON THE PROJECT FOR THE RECONSTRUCTION OF THE EARTHQUAKE-AFFECTED FACILITIES

NIPPON KOEI CO., LTD IN ASSOCIATION WITH
BINKO INTERNATIONAL

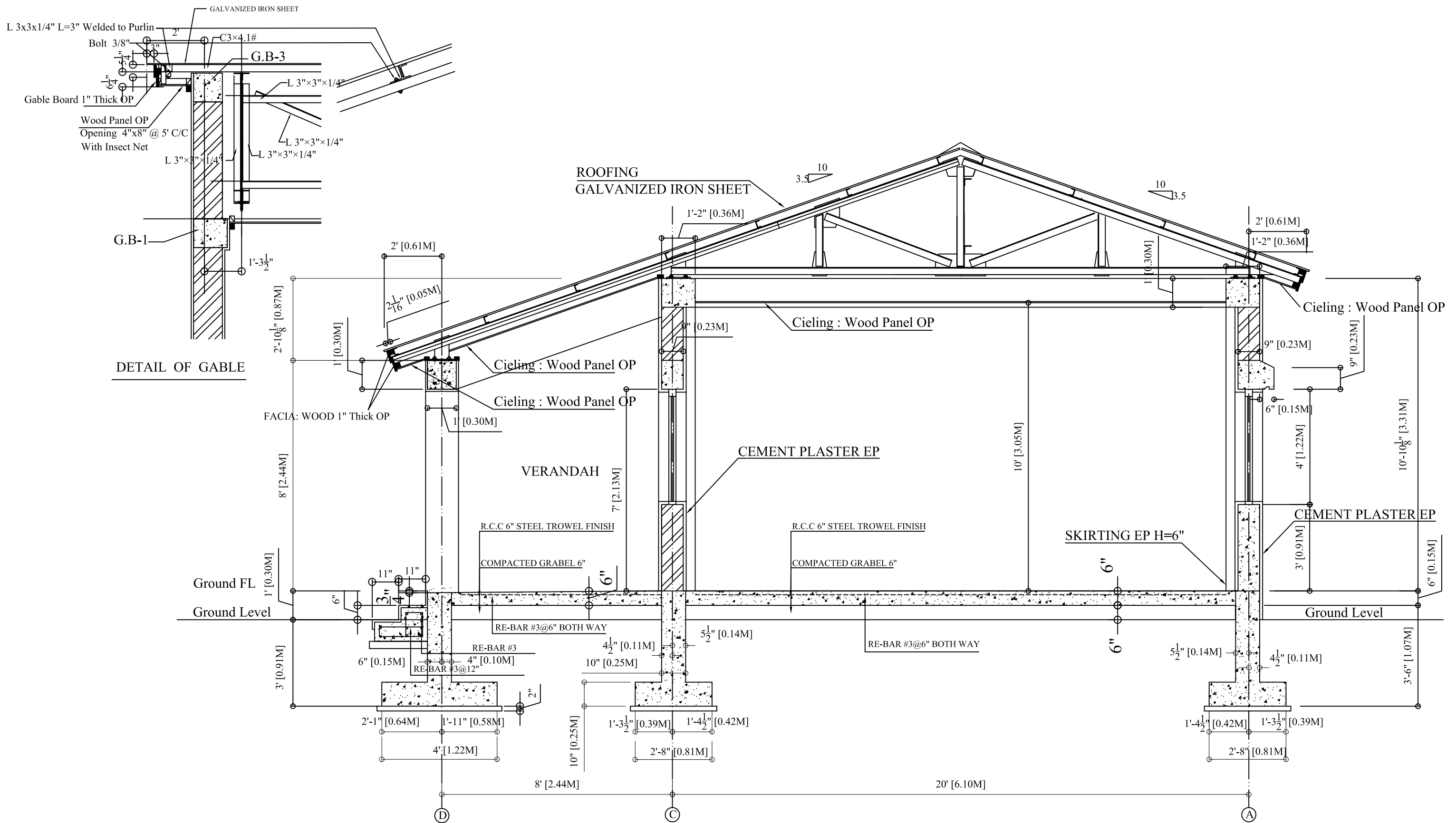
DRAWING TITLE

PLAN

JAPAN INTERNATIONAL COOPERATION AGENCY

	PREPARED BY	CHECKED BY	APPROVED BY
NAME	AASIF		
SIGNATURE			
DATE	FEB.19,2006	/ /2006	/ /2006

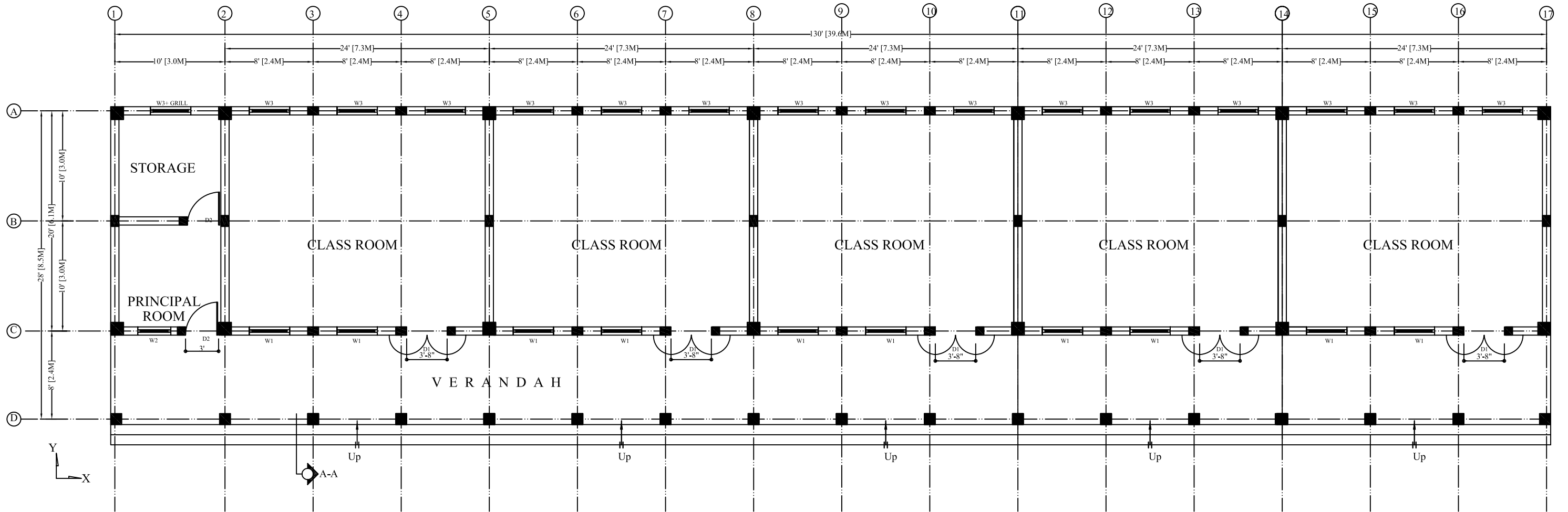
SCALE	SHEET NO.	REV. NO.
	03	



NOTE:

FOUR CLASS ROOM TYPE (D)

THE OUTLINE DESIGN STUDY ON THE PROJECT FOR THE RECONSTRUCTION OF THE EARTHQUAKE-AFFECTED FACILITIES				DRAWING TITLE		
NIPPON KOEI CO., LTD IN ASSOCIATION WITH BINKO INTERNATIONAL				SECTION		
	PREPARED BY	CHECKED BY	APPROVED BY	SCALE	SHEET NO.	REV. NO.
NAME	AASIF					
SIGNATURE						
DATE	FEB.19,2006	/ /2006	/ /2006		05	



PLAN

NOTE:

FIVE CLASS ROOMS TYPE (E)

THE OUTLINE DESIGN STUDY ON THE PROJECT FOR THE RECONSTRUCTION OF THE EARTHQUAKE-AFFECTED FACILITIES

NIPPON KOEI CO., LTD IN ASSOCIATION WITH
BINKO INTERNATIONAL

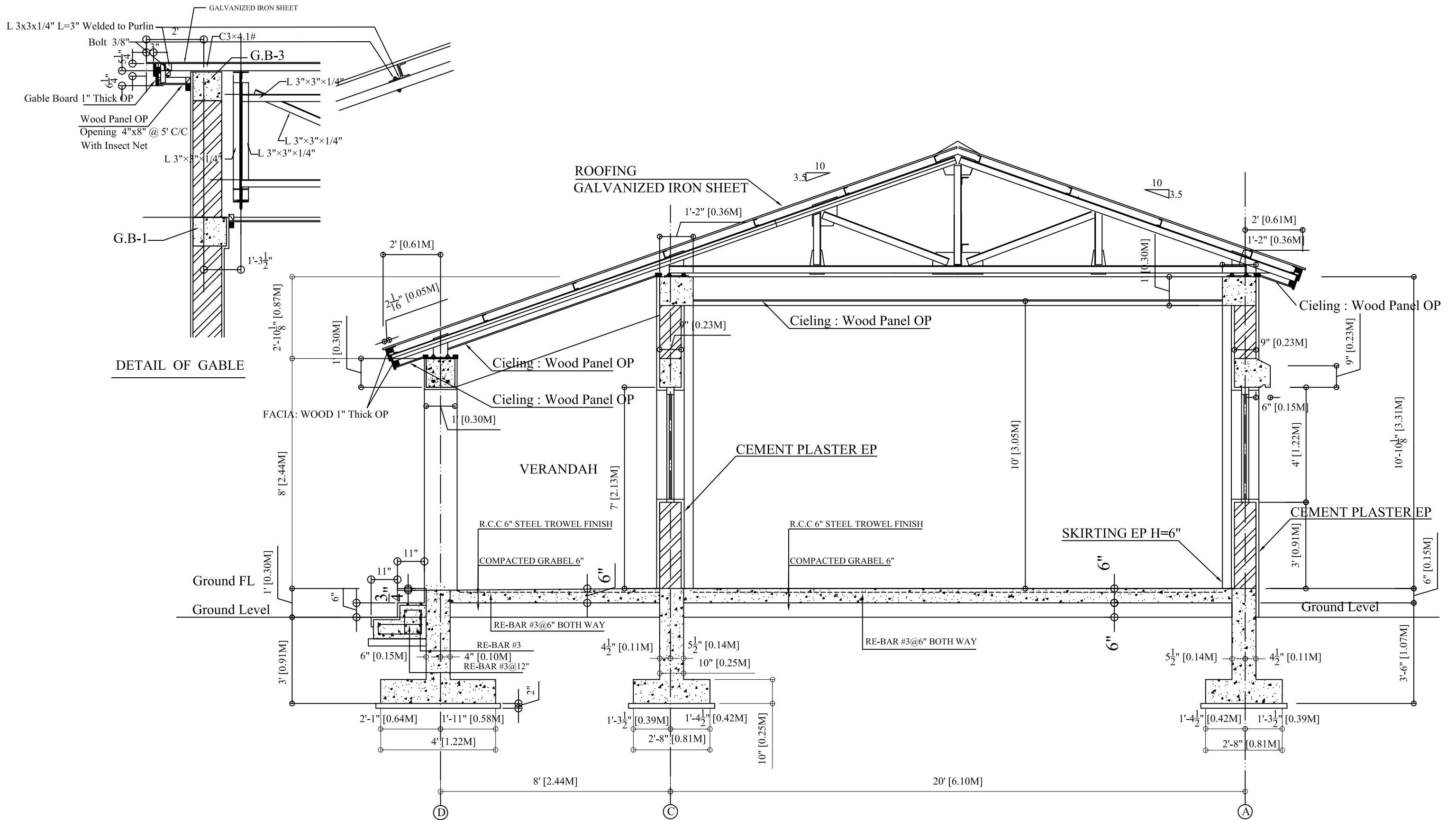
DRAWING TITLE

PLAN

JAPAN INTERNATIONAL COOPERATION AGENCY

	PREPARED BY	CHECKED BY	APPROVED BY
NAME	AASIF		
SIGNATURE			
DATE	FEB.19,2006	/ /2006	/ /2006

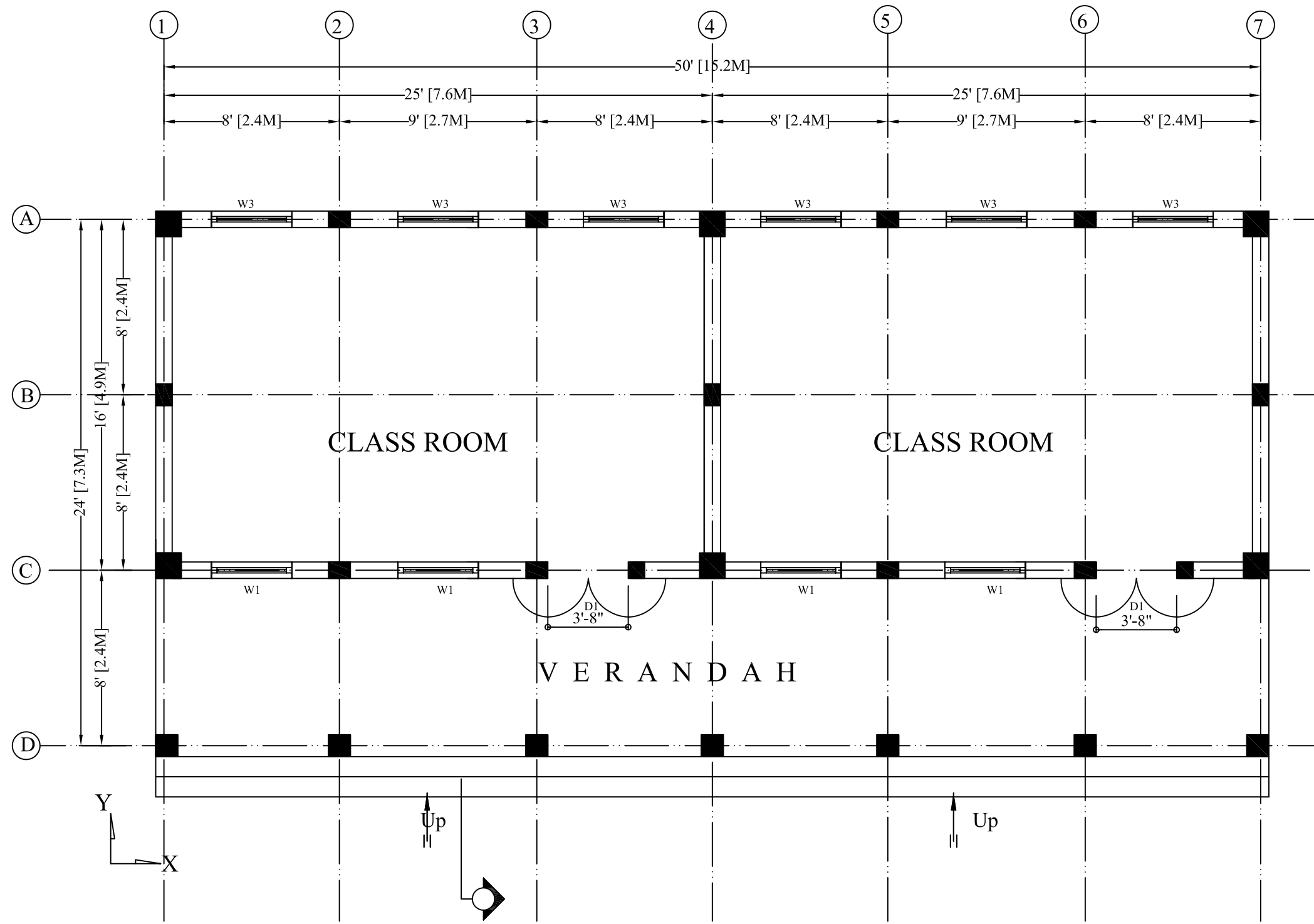
SCALE	SHEET NO.	REV. NO.
	03	



NOTE:

FIVE CLASS ROOM TYPE (E)

THE OUTLINE DESIGN STUDY ON THE PROJECT FOR THE RECONSTRUCTION OF THE EARTHQUAKE-AFFECTED FACILITIES				DRAWING TITLE		
NIPPON KOEI CO., LTD IN ASSOCIATION WITH BINKO INTERNATIONAL				SECTION		
PREPARED BY	CHECKED BY	APPROVED BY	SCALE			
NAME	AASIF					
SIGNATURE						
DATE	FEB.19,2006	/ /2006	/ /2006			



PLAN

NOTE:

TWO CLASS ROOM TYPE (F)

THE OUTLINE DESIGN STUDY ON THE PROJECT FOR THE RECONSTRUCTION OF THE EARTHQUAKE-AFFECTED FACILITIES

NIPPON KOEI CO., LTD IN ASSOCIATION WITH
BINKO INTERNATIONAL

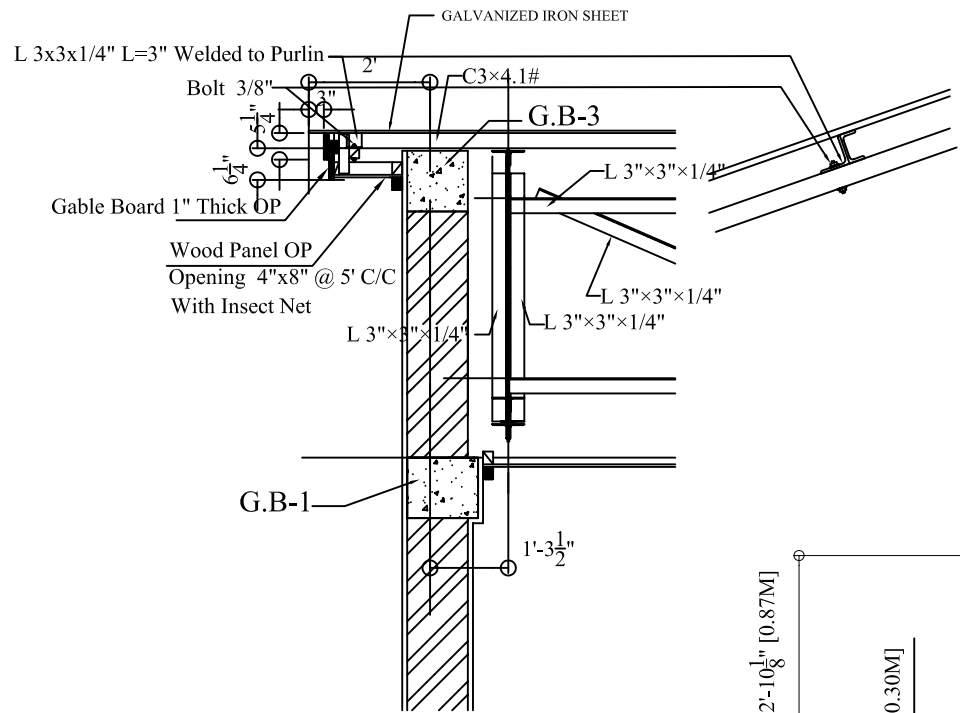
DRAWING TITLE

PLAN

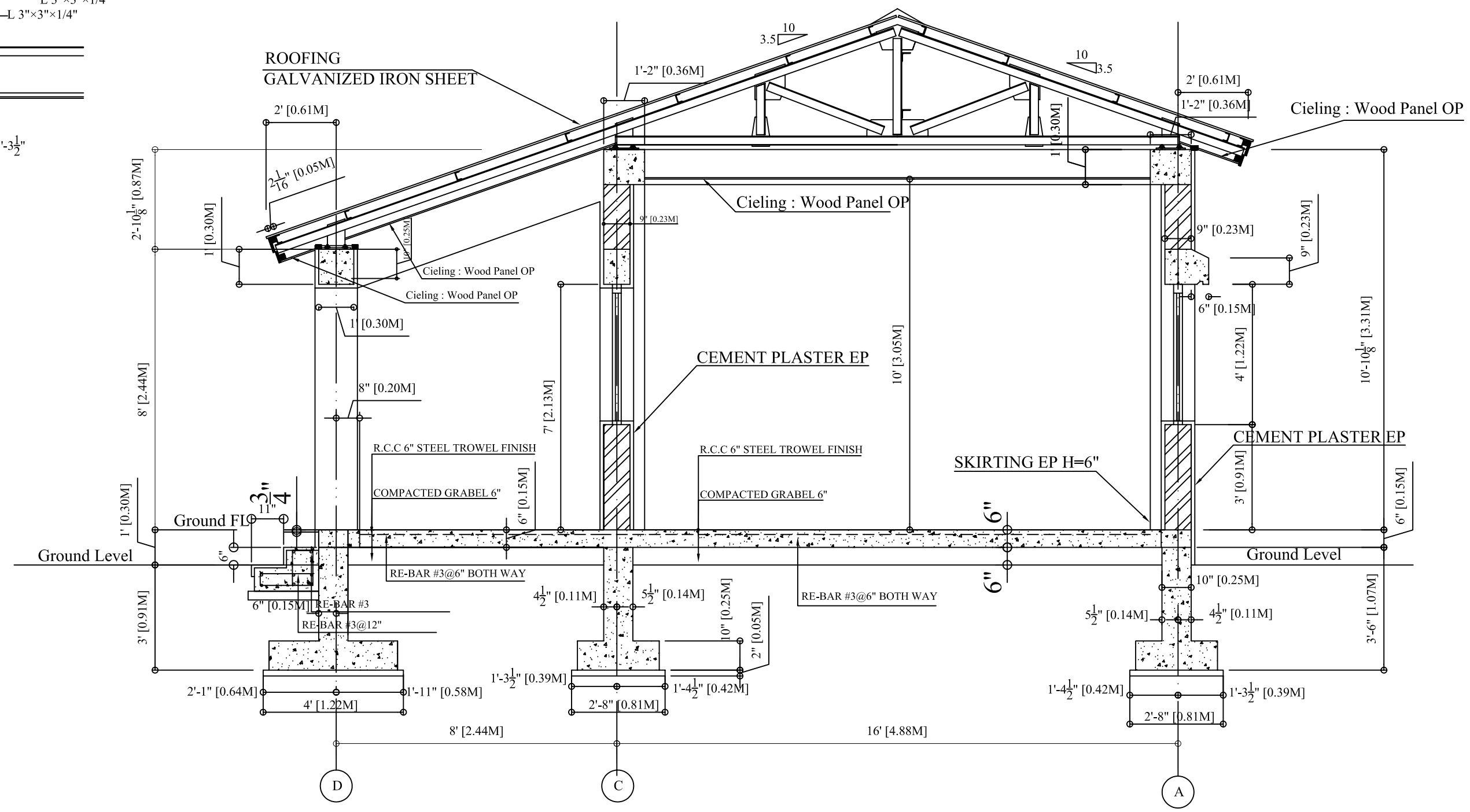
JAPAN INTERNATIONAL COOPERATION AGENCY

	PREPARED BY	CHECKED BY	APPROVED BY
NAME	AASIF		
SIGNATURE			
DATE	FEB.19,2006	/ /2006	/ /2006

SCALE	SHEET NO.	REV. NO.
	03	



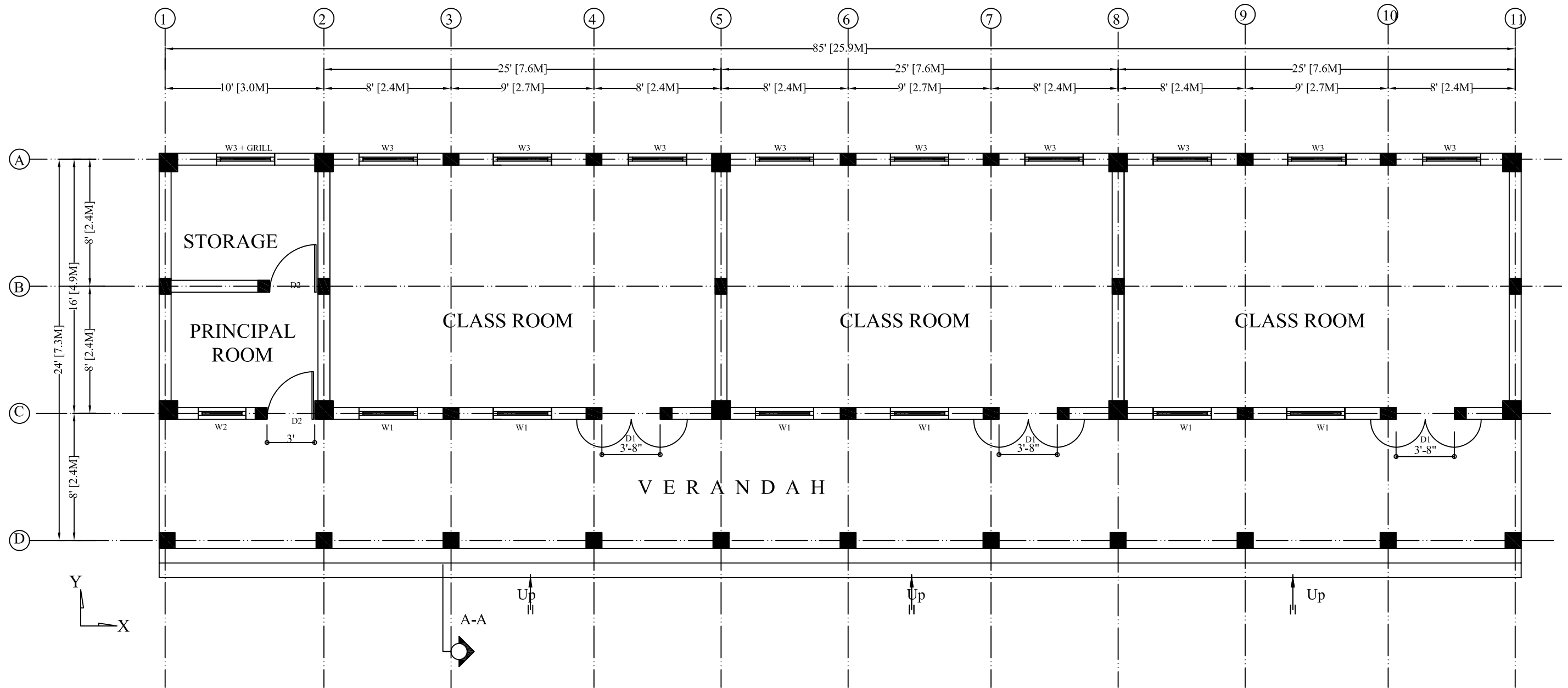
DETAIL OF GABLE



NOTE:

TWO CLASS ROOM TYPE (F)

THE OUTLINE DESIGN STUDY ON THE PROJECT FOR THE RECONSTRUCTION OF THE EARTHQUAKE-AFFECTED FACILITIES				DRAWING TITLE		
NIPPON KOEI CO., LTD IN ASSOCIATION WITH BINKO INTERNATIONAL				SECTION		
	PREPARED BY	CHECKED BY	APPROVED BY	SCALE	SHEET NO.	REV. NO.
NAME	AASIF				05	1
SIGNATURE						
DATE	JUL.19,2006	/ /2006	/ /2006			

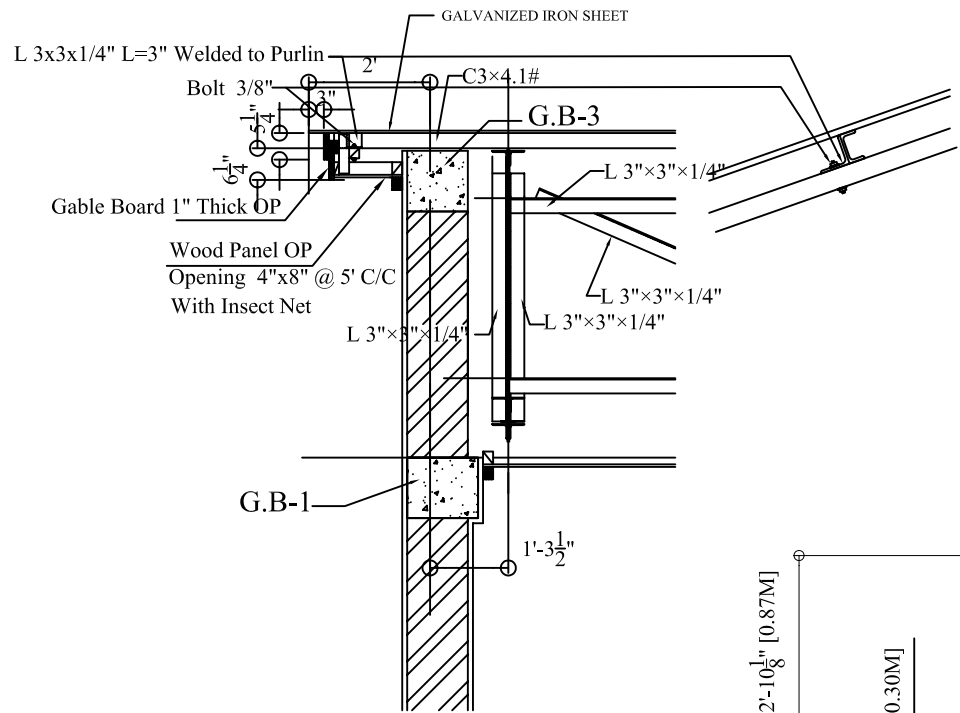


PLAN

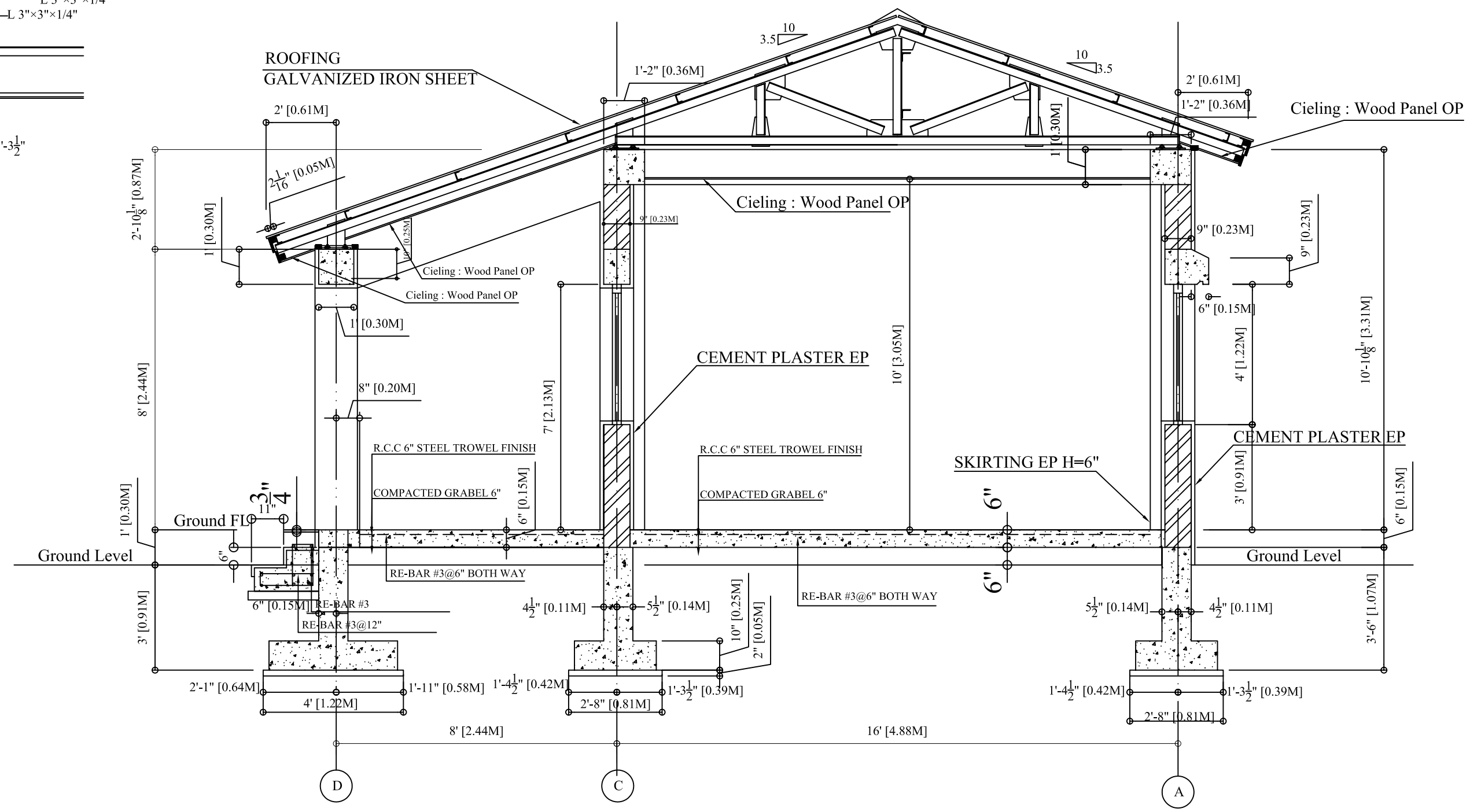
NOTE:

THREE CLASS ROOMS TYPE (G)

THE OUTLINE DESIGN STUDY ON THE PROJECT FOR THE RECONSTRUCTION OF THE EARTHQUAKE-AFFECTED FACILITIES					
NIPPON KOEI CO., LTD IN ASSOCIATION WITH BINKO INTERNATIONAL				DRAWING TITLE	
				PLAN	
	PREPARED BY	CHECKED BY	APPROVED BY	SCALE	SHEET NO.
NAME	AASIF				03
SIGNATURE					
DATE	FEB.19,2006	/ /2006	/ /2006		REV. NO.



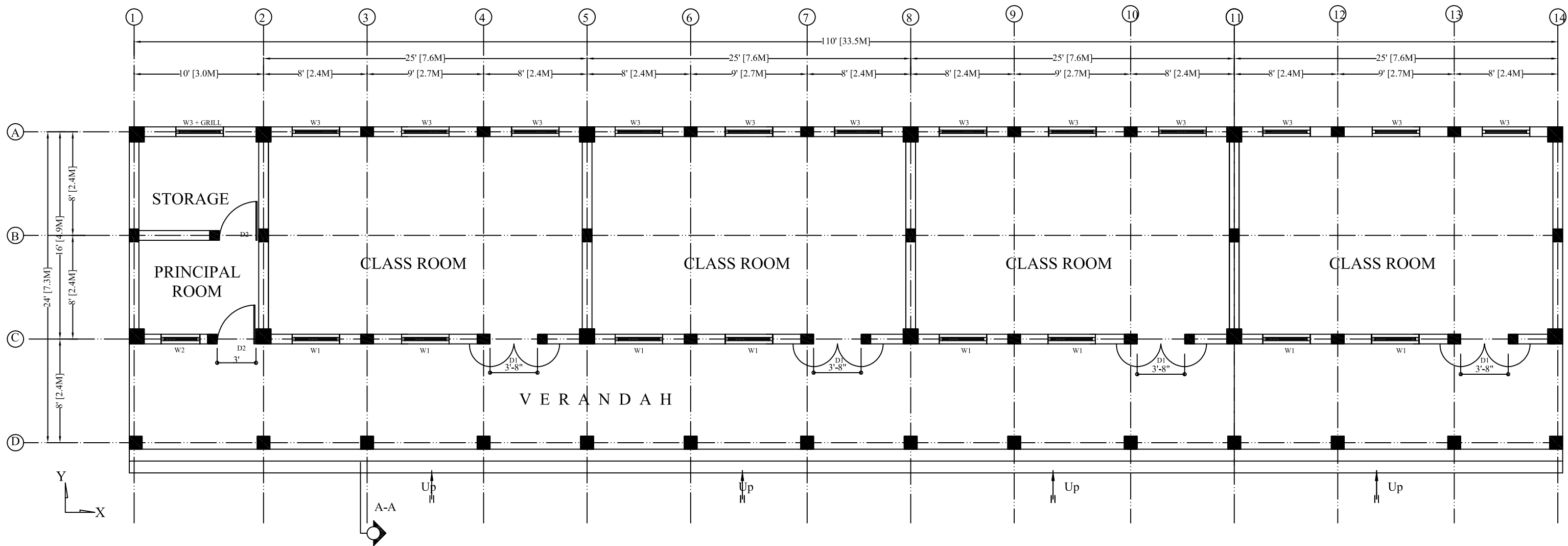
DETAIL OF GABLE



NOTE:

TWO CLASS ROOM TYPE (G)

THE OUTLINE DESIGN STUDY ON THE PROJECT FOR THE RECONSTRUCTION OF THE EARTHQUAKE-AFFECTED FACILITIES				DRAWING TITLE		
NIPPON KOEI CO., LTD IN ASSOCIATION WITH BINKO INTERNATIONAL				SECTION		
	PREPARED BY	CHECKED BY	APPROVED BY	SCALE	SHEET NO.	REV. NO.
NAME	AASIF					
SIGNATURE						
DATE	JUL.19,2006	/ /2006	/ /2006		05	1



PLAN

NOTE:

FOUR CLASS ROOMS TYPE (H)

THE OUTLINE DESIGN STUDY ON THE PROJECT FOR THE RECONSTRUCTION OF THE EARTHQUAKE-AFFECTED FACILITIES

NIPPON KOEI CO., LTD IN ASSOCIATION WITH
BINKO INTERNATIONAL

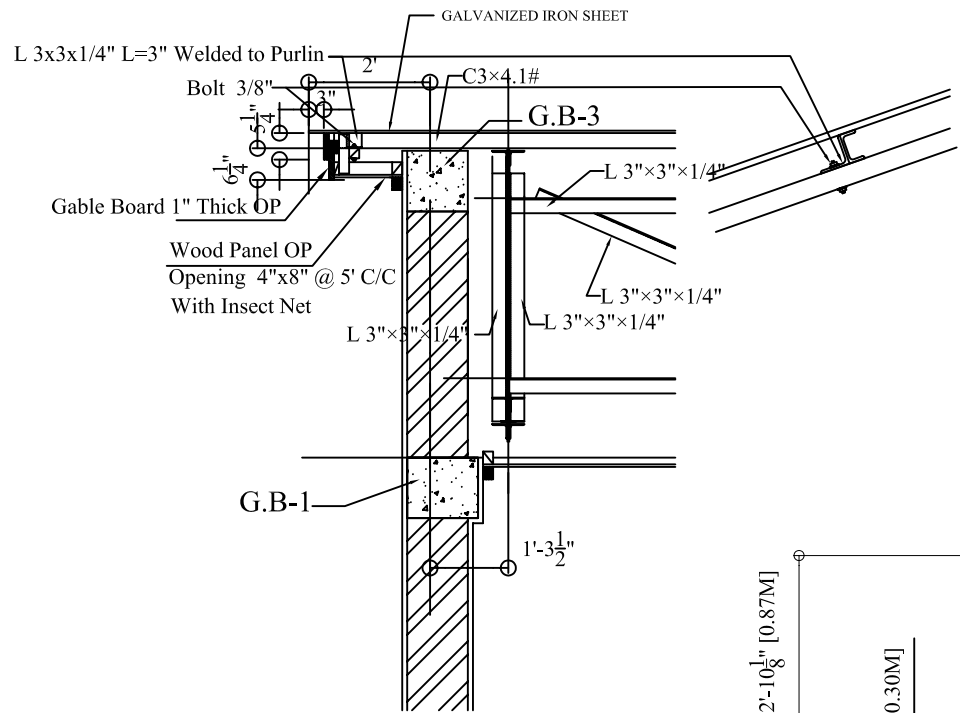
DRAWING TITLE

PLAN

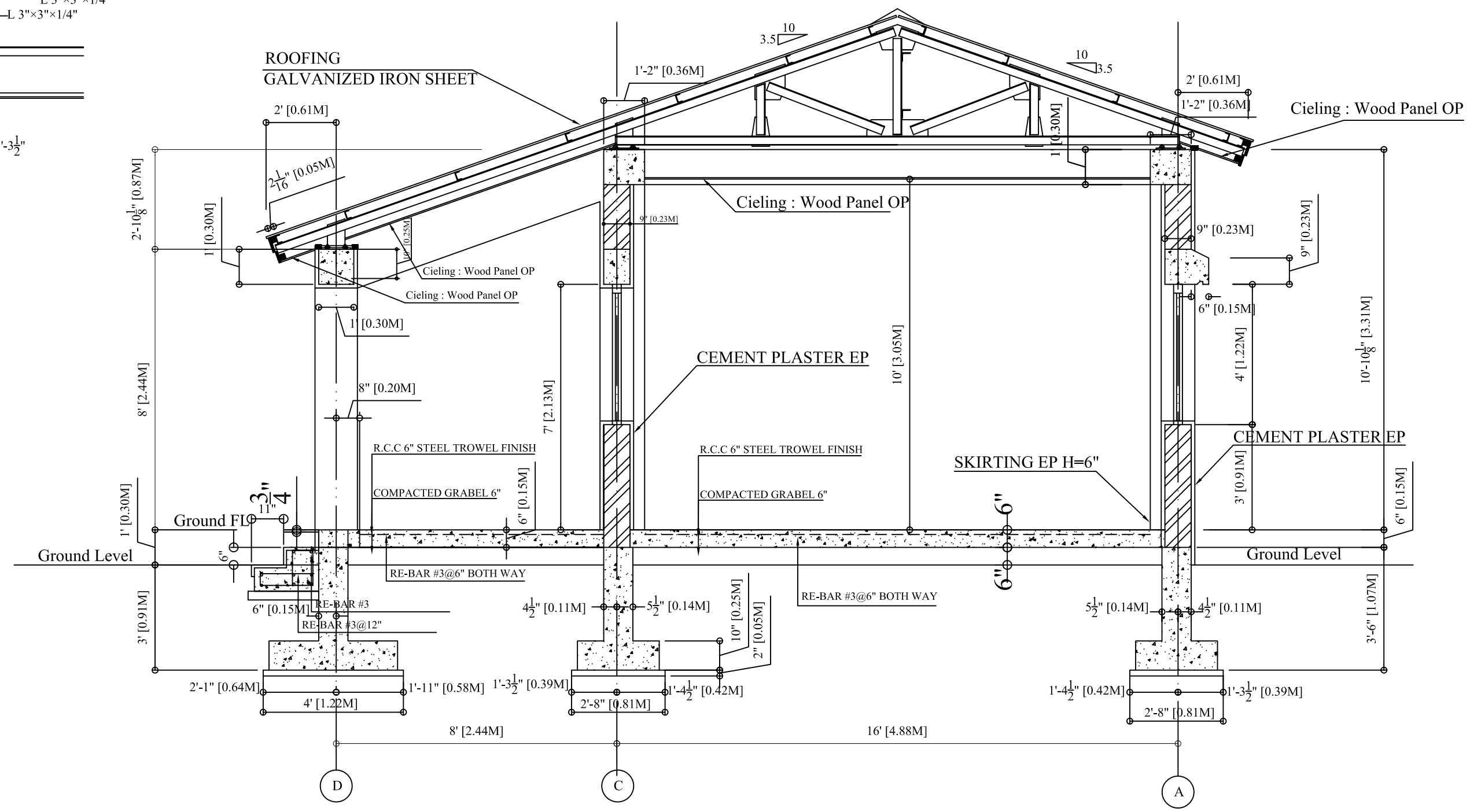
JAPAN INTERNATIONAL COOPERATION AGENCY

	PREPARED BY	CHECKED BY	APPROVED BY
NAME	AASIF		
SIGNATURE			
DATE	FEB.19,2006	/ /2006	/ /2006

SCALE	SHEET NO.	REV. NO.
	03	



DETAIL OF GABLE



NOTE:

TWO CLASS ROOM TYPE (H)

THE OUTLINE DESIGN STUDY ON THE PROJECT FOR THE RECONSTRUCTION OF THE EARTHQUAKE-AFFECTED FACILITIES				DRAWING TITLE		
NIPPON KOEI CO., LTD IN ASSOCIATION WITH BINKO INTERNATIONAL				SECTION		
	PREPARED BY	CHECKED BY	APPROVED BY	SCALE	SHEET NO.	REV. NO.
NAME	AASIF				05	1
SIGNATURE						
DATE	JUL.19,2006	/ /2006	/ /2006			