

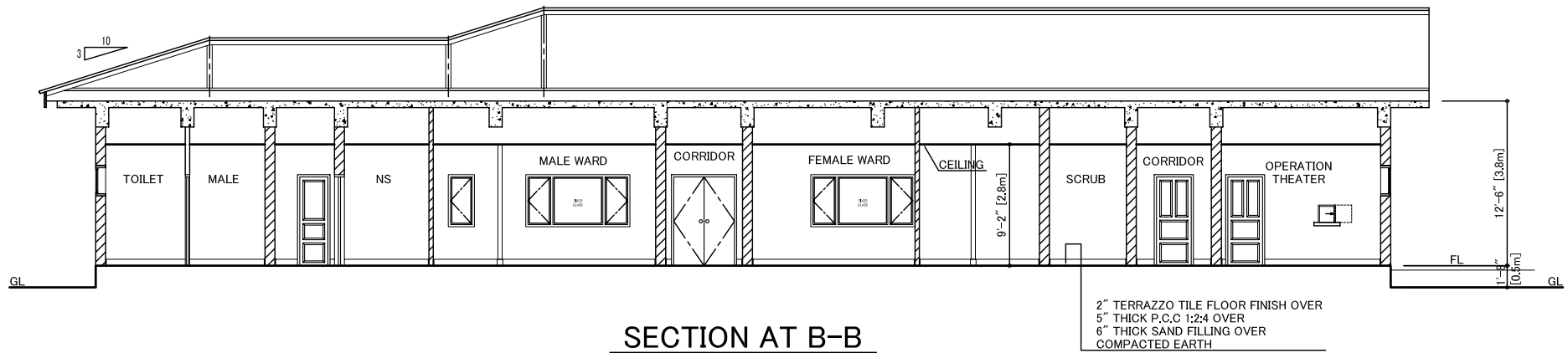
NOTE:

**DISTRICT HEADQUARTERS  
HOSPITAL(DHQ)  
BATTAGRAM**

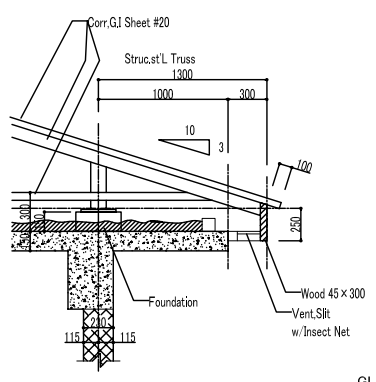
THE OUTLINE DESIGN STUDY ON THE PROJECT FOR THE RECONSTRUCTION OF THE EARTHQUAKE AFFECTED FACILITIES					
NIPPON KOEI CO., LTD IN ASSOCIATION WITH BINKO INTERNATIONAL				DWG. TITLE: DHQ - CASUALTY	
PREPARED BY		CHECKED BY		APPROVED BY	
NAME		NAME		NAME	
SIGNATURE		SIGNATURE		SIGNATURE	
DATE		DATE		DATE	
/ / 2006		/ / 2006		/ / 2006	
SCALE			SHEET NO.		REV. NO.
1:100			A-4		



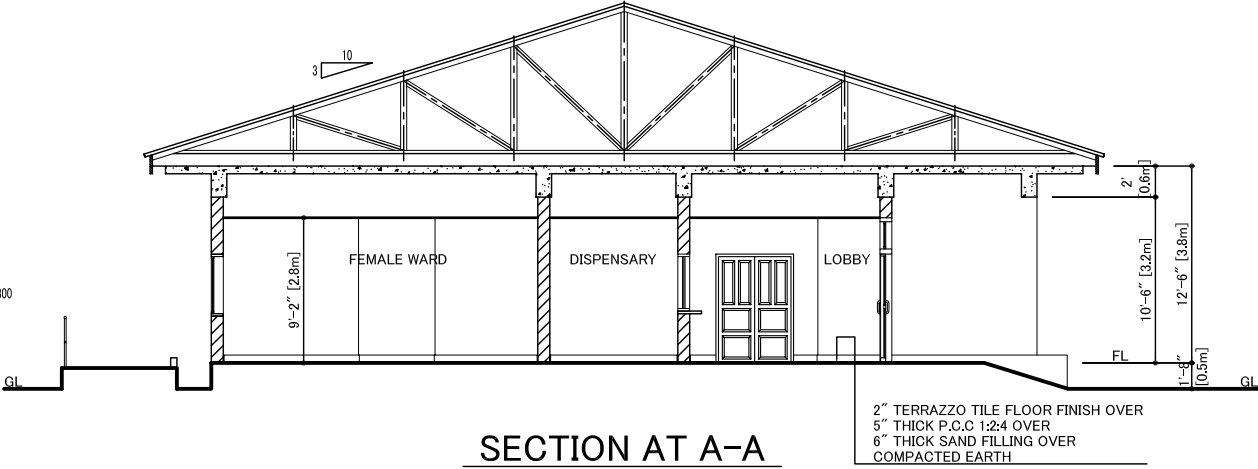
**FLOOR PLAN**



**SECTION AT B-B**



**TYPICAL EAVES DETAILS**  
S 1:40

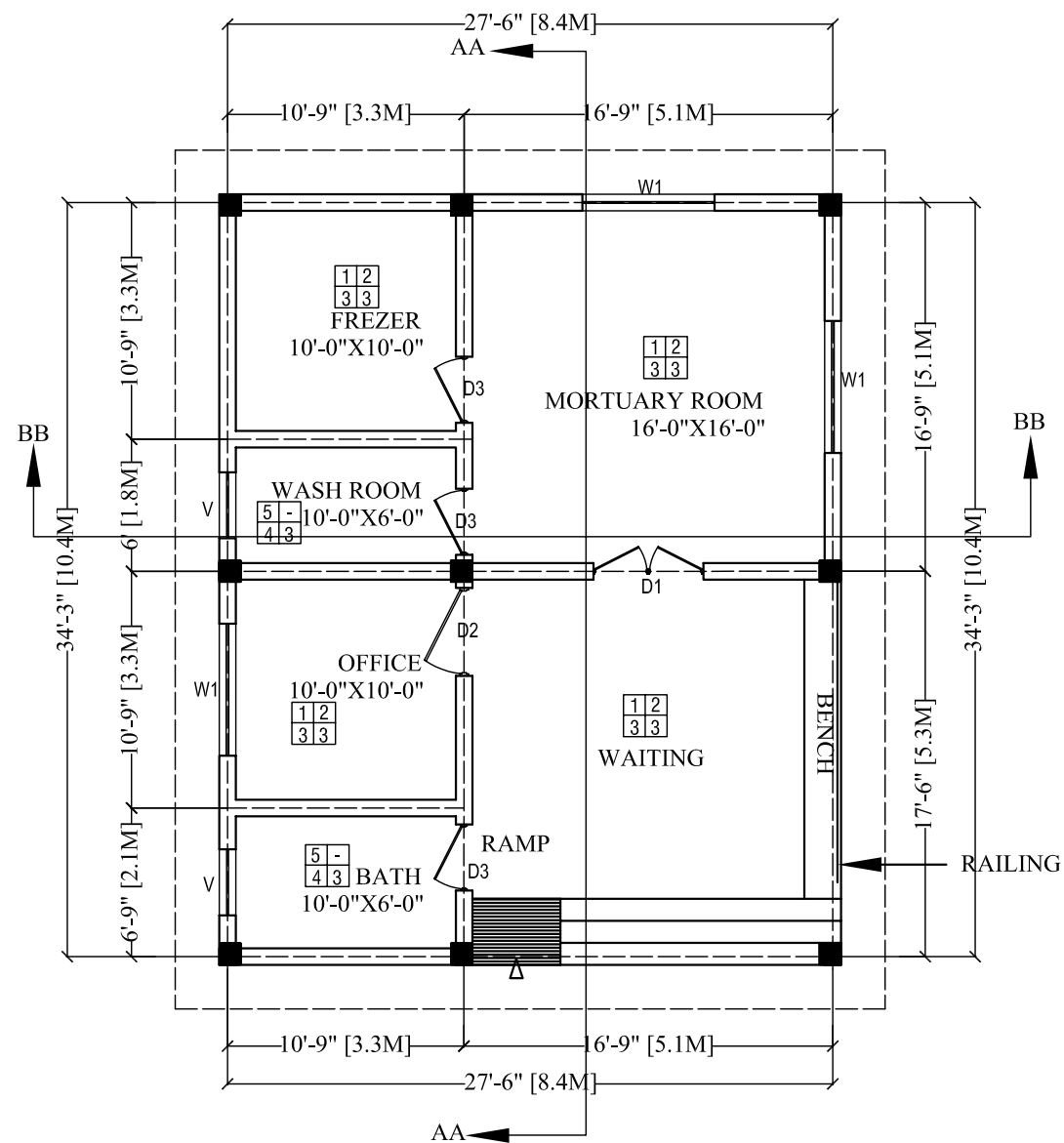


**SECTION AT A-A**



**NOTE:**  
  
DISTRICT HEADQUARTERS  
HOSPITAL(DHQ)  
BATTAGRAM

THE OUTLINE DESIGN STUDY ON THE PROJECT FOR THE RECONSTRUCTION OF THE EARTHQUAKE AFFECTED FACILITIES						
NIPPON KOEI CO., LTD IN ASSOCIATION WITH BINKO INTERNATIONAL				DWG. TITLE: DHQ - CASUALTY		
	PREPARED BY	CHECKED BY	APPROVED BY	<b>SECTIONS</b>		
NAME	M.KASHIF	A. MORIOKA	Y.INOUE			
SIGNATURE				SCALE	SHEET NO.	REV. NO.
DATE	/ /2006	/ /2006	/ /2006	1:100	A-8	



**FLOOR PLAN**

OPENING SCHEDULE			DESCRIPTION
D.1	5'-0" X	7'-0"	DAVDAR WOOD FRAME & PANNAL DOOR.
D.2	4'-0" X	7'-0"	-DO-
D.3	3'-0" X	7'-0"	-DO-
W.1	6'-0" X	4'-0"	DAVDAR WOOD FRAME & GLAZED WINDOW
V	3'-0" X	1'-6"	DAVDAR WOOD FRAME & GLAZED VANTILATOR

**SCHEDULE OF ROOM FINISHES**

FLOOR	•	•	SKIRTING
WALLS	•	•	CEILING

- ① 2" THICK TERRAZZO IN GREY CEMENT  
BLACK MARBLE DIVIDING STRIPS
- ② 6" HIGH & 1/2" THICK MARBLE IN WHITE CEMENT
- ③ VINYLE EMULSION ON C.S PLASTER.
- ④ 6"X6" GLAZED CERAMIC TILES AND ⑤ ABOVE 7'
- ⑤ 6"X6" MAT FINISH CERAMIC TILES

**NOTE:**

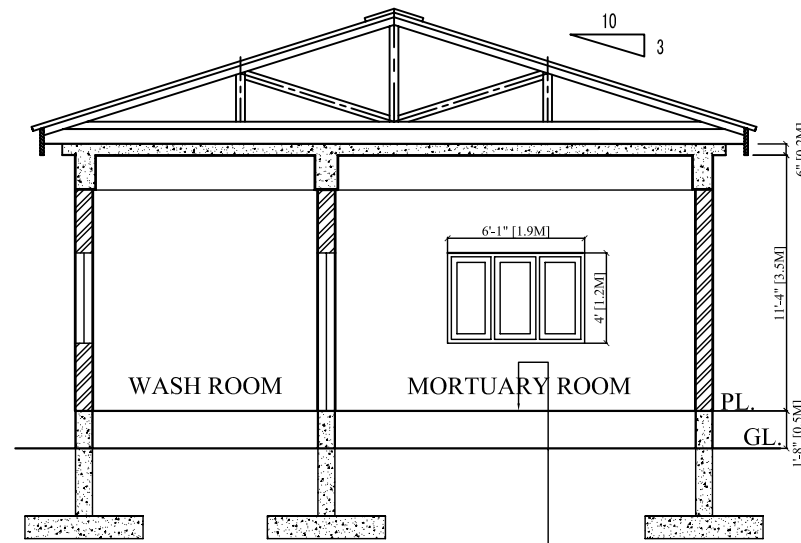
**DISTRICT HEADQUARTERS  
HOSPITAL (DHQ)  
BATTAGRAM**

**THE OUTLINE DESIGN STUDY ON THE PROJECT FOR THE RECONSTRUCTION OF THE EARTHQUAKE AFFECTED FACILITIES**

**NIPPON KOEI CO., LTD IN ASSOCIATION WITH  
BINKO INTERNATIONAL**

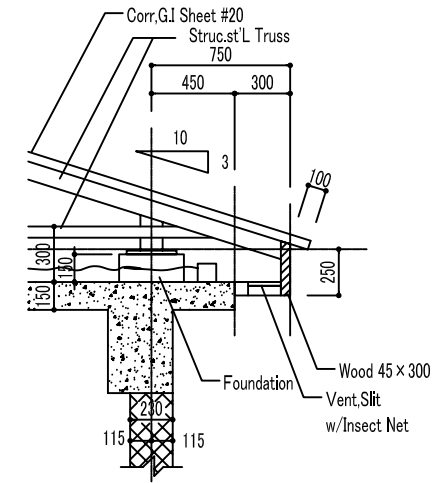
**DWG. TITLE: DHQ - MORTUARY**

	PREPARED BY	CHECKED BY	APPROVED BY	<b>FLOOR PLAN</b>		
NAME	M.KASHIF	A. MORIOKA	Y.INOUE			
SIGNATURE				SCALE	SHEET NO.	REV. NO.
DATE	/ /2006	/ /2006	/ /2006	1:100	A-2	



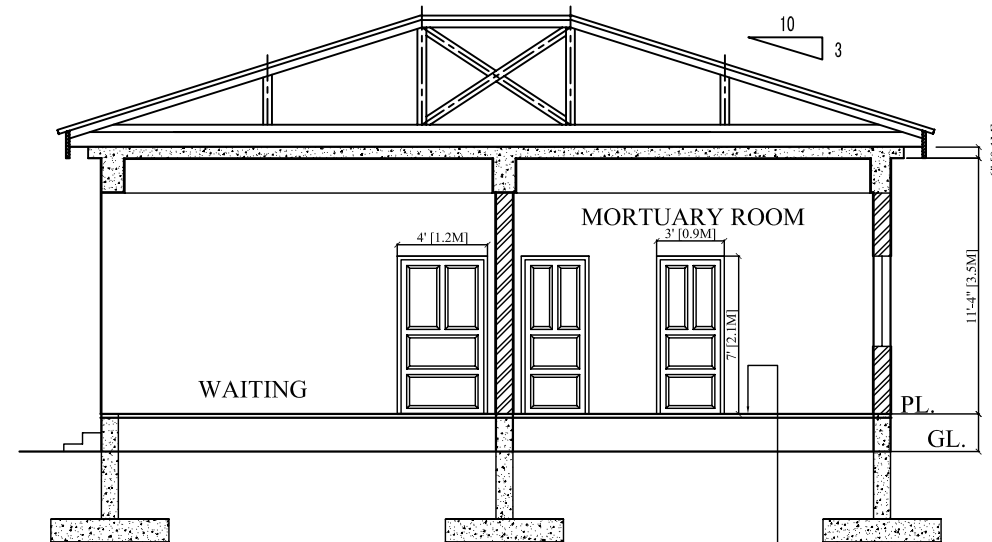
SEC: AT BB

2" THICK TERRAZZO BLOCK IN FLOOR FINISH OVER  
 4" THICK P.C.C 1:2:4 OVER  
 6" THICK SAND FILLING OVER  
 COMPACTED EARTH



TYPICAL EAVES DETAILS

S 1:40



SEC: AT AA

2" THICK TERRAZZO BLOCK IN FLOOR FINISH OVER  
 4" THICK P.C.C 1:2:4 OVER  
 6" THICK SAND FILLING OVER  
 COMPACTED EARTH

NOTE:

DISTRICT HEADQUARTERS  
 HOSPITAL (DHQ)  
 BATTAGRAM

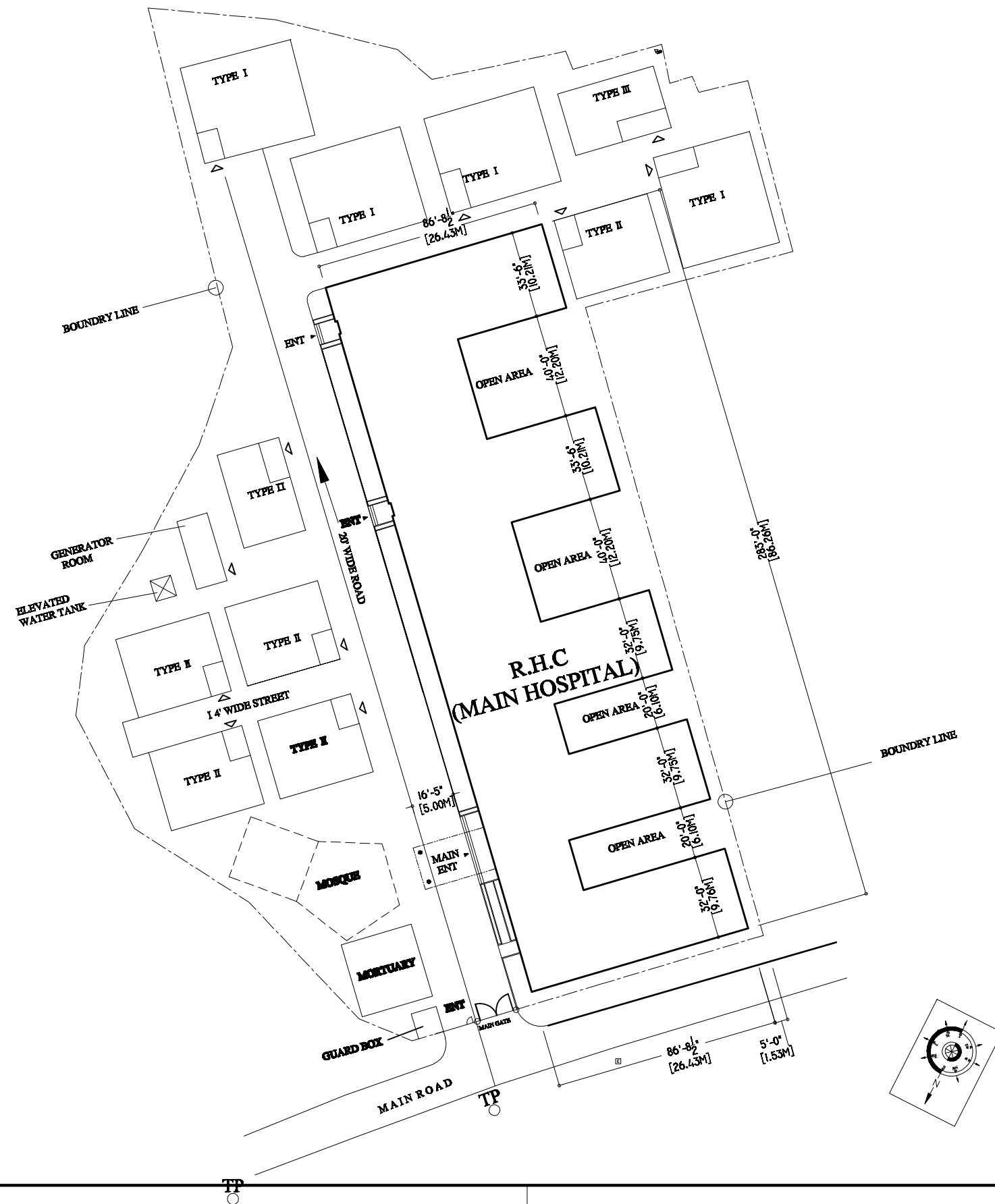
THE OUTLINE DESIGN STUDY ON THE PROJECT FOR THE RECONSTRUCTION OF THE EARTHQUAKE AFFECTED FACILITIES

NIPPON KOEI CO., LTD IN ASSOCIATION WITH  
 BINKO INTERNATIONAL

DWG. TITLE: DHQ - MORTUARY

	PREPARED BY	CHECKED BY	APPROVED BY
NAME	M.KASHIF	A. MORIOKA	Y.INOUE
SIGNATURE			
DATE	/ /2006	/ /2006	/ /2006

SECTIONS		
SCALE	SHEET NO.	REV. NO.
1:100	A-4	



**jica**  
JAPAN INTERNATIONAL COOPERATION AGENCY

**RURAL HEALTH CENTER (RHC)  
BANNA**

THE OUTLINE DESIGN STUDY ON THE PROJECT FOR THE RECONSTRUCTION OF THE EARTHQUAKE FACILITIES

NIPPON KOEI CO., LTD IN ASSOCIATION WITH  
BINKO INTERNATIONAL

DWG. TITLE: RHC - MAIN HOSPITAL

**PLOT PLAN**

	PREPARED BY	CHECKED BY	APPROVED BY
NAME	M.KASHIF	A. MORIOKA	Y.INOUE
SIGNATURE			
DATE	/ /2006	/ /2006	/ /2006

SCALE	SHEET NO.	REV. NO.
I :600	A-2	