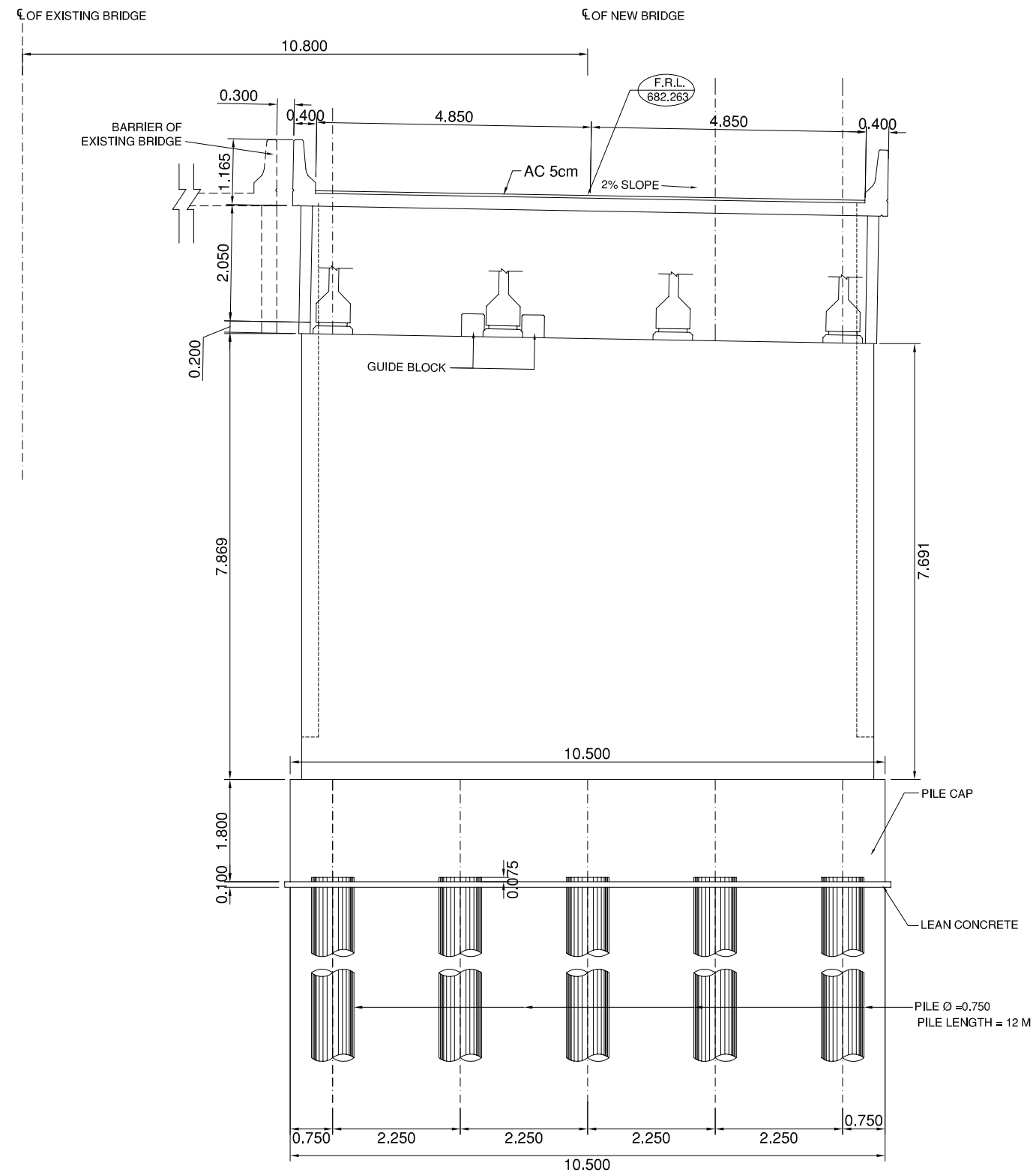


SECTIONAL ELEVATION AT PIER

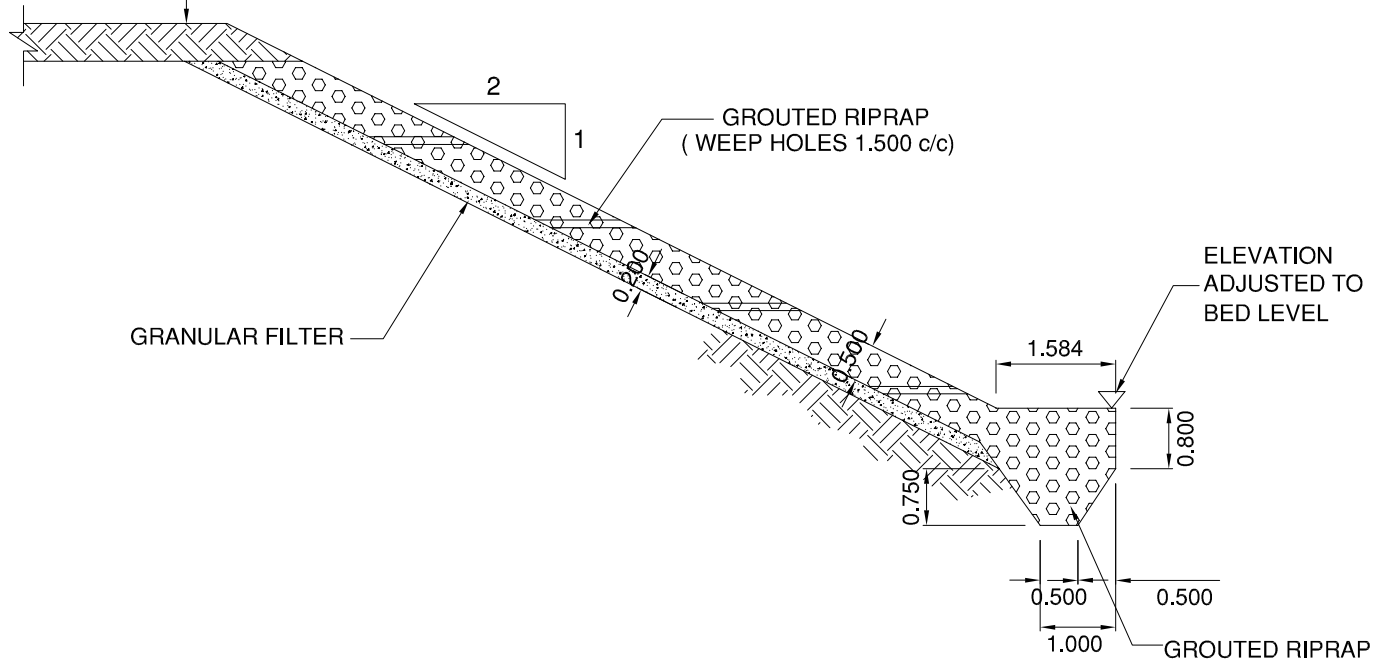


ELEVATION A - A

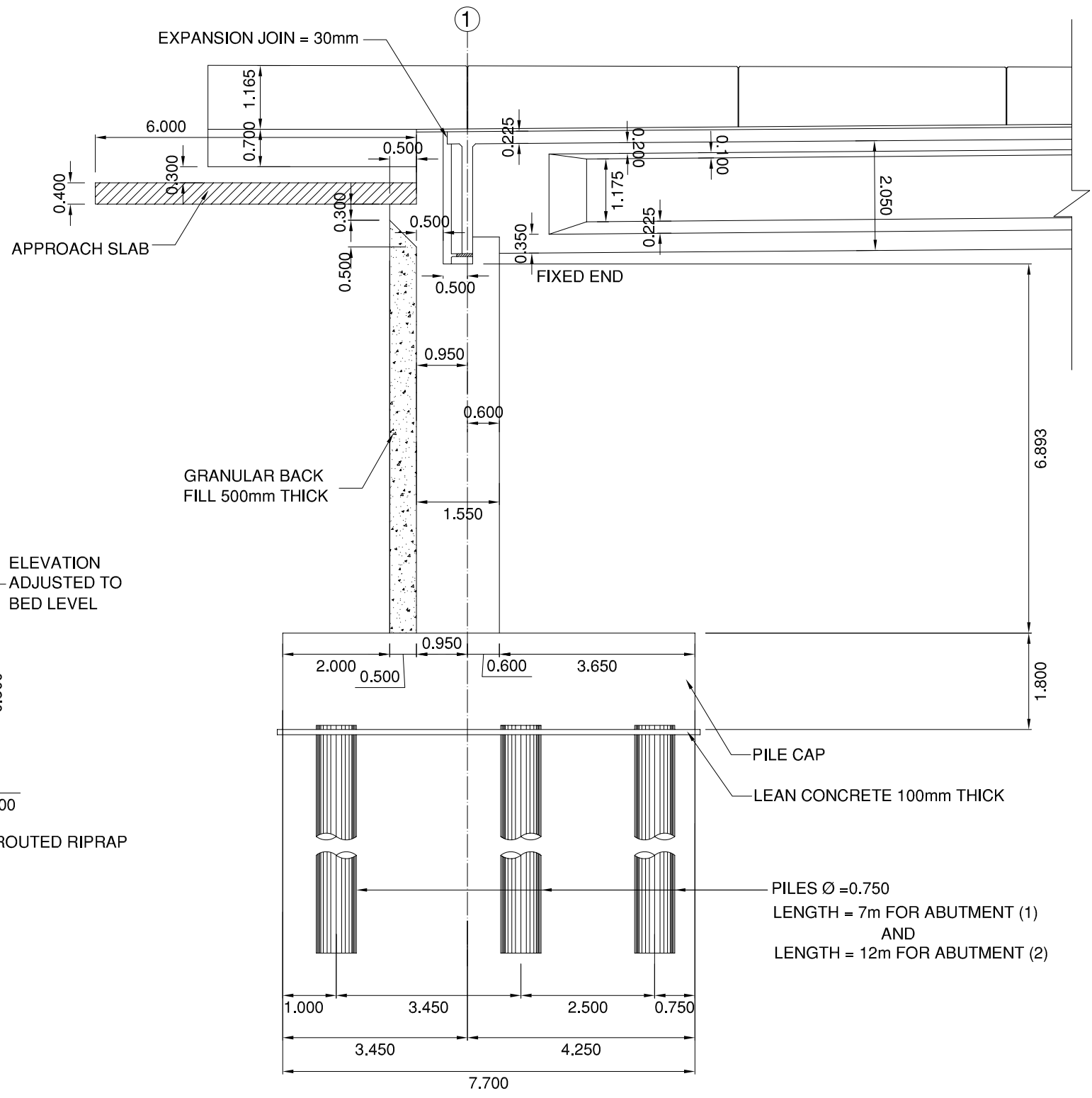
ABUTMENT PILES LENGTH
ABUTMENT (1) = 7m
ABUTMENT (2) = 12m

PROJECT NAME	CLIENTS	CONSULTANTS	DRAWING TITLE	SCALE	DWG NO	
FEASIBILITY STUDY ON THE 2ND KOHAT TUNNEL AND ACCESS ROADS PROJECT	 GOVERNMENT OF PAKISTAN MINISTRY OF COMMUNICATIONS NATIONAL HIGHWAY AUTHORITY	 JAPAN INTERNATIONAL COOPERATION AGENCY	NIPPON KOEI CO., LTD AND ALMEC CORPORATION	SECTIONAL ELEVATION BRIDGE NO.6A R	1:400	BR6A-2

D.D.T 20 mm  
AGG BASE COURSE 150 mm

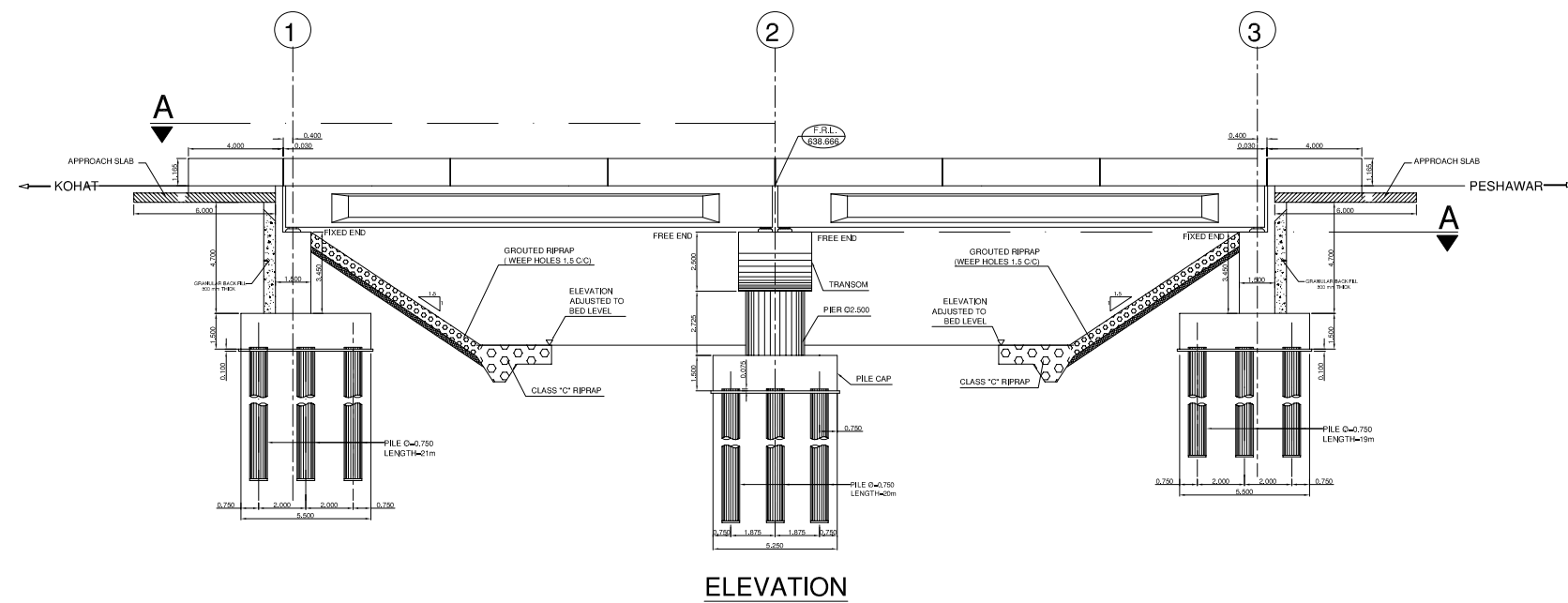
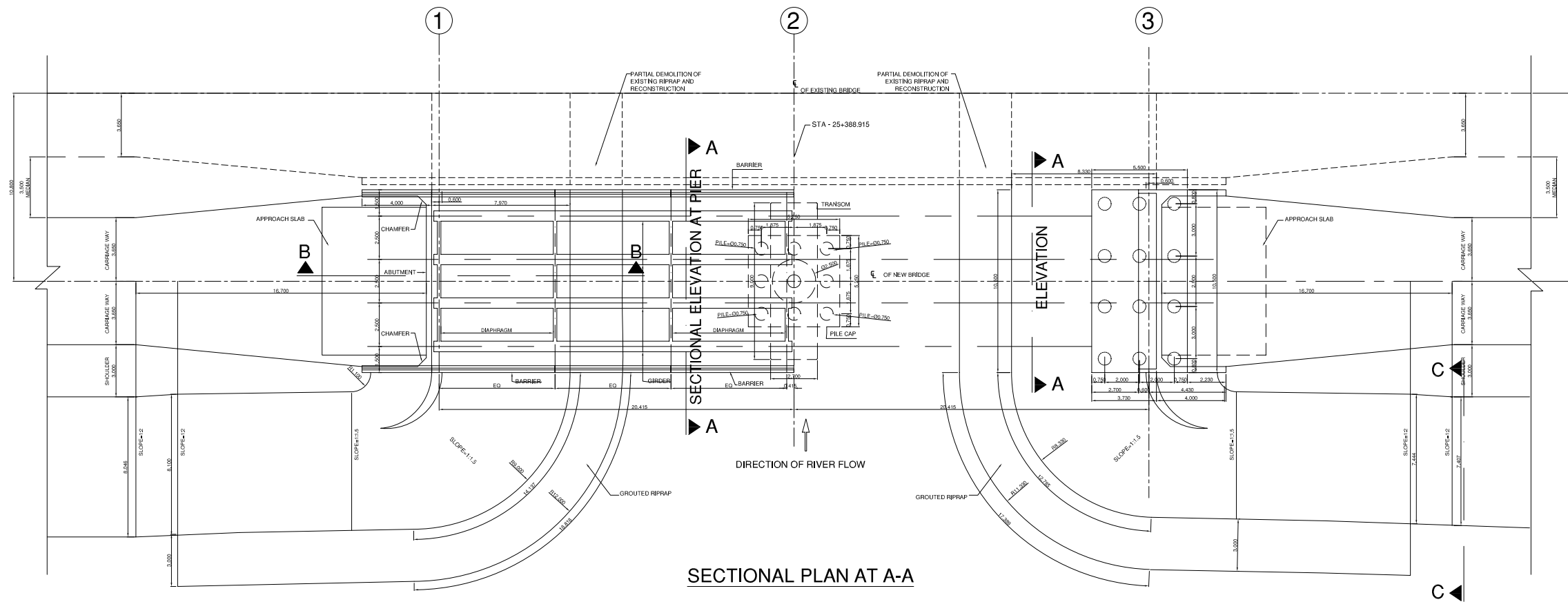


**SECTION B-B**



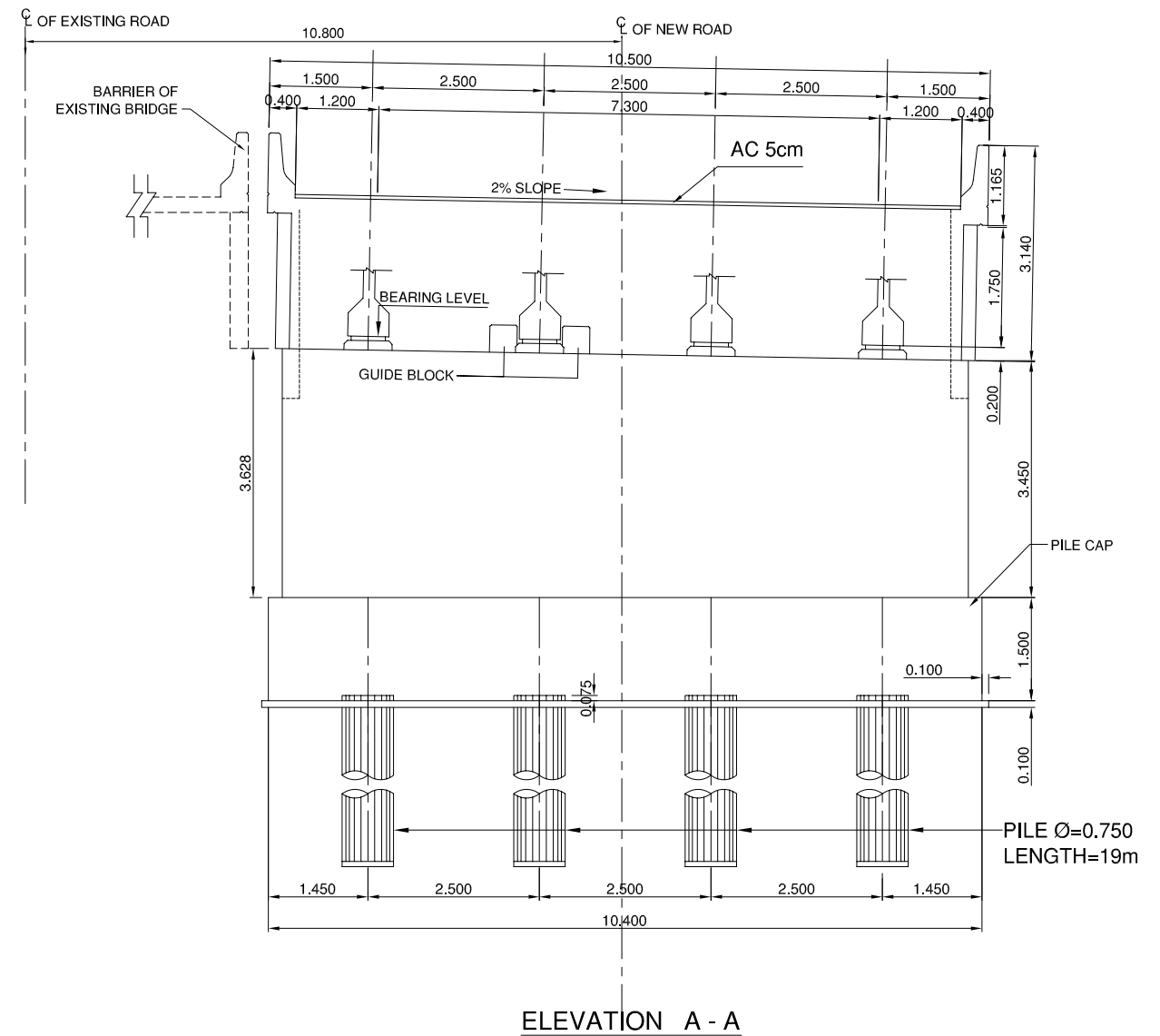
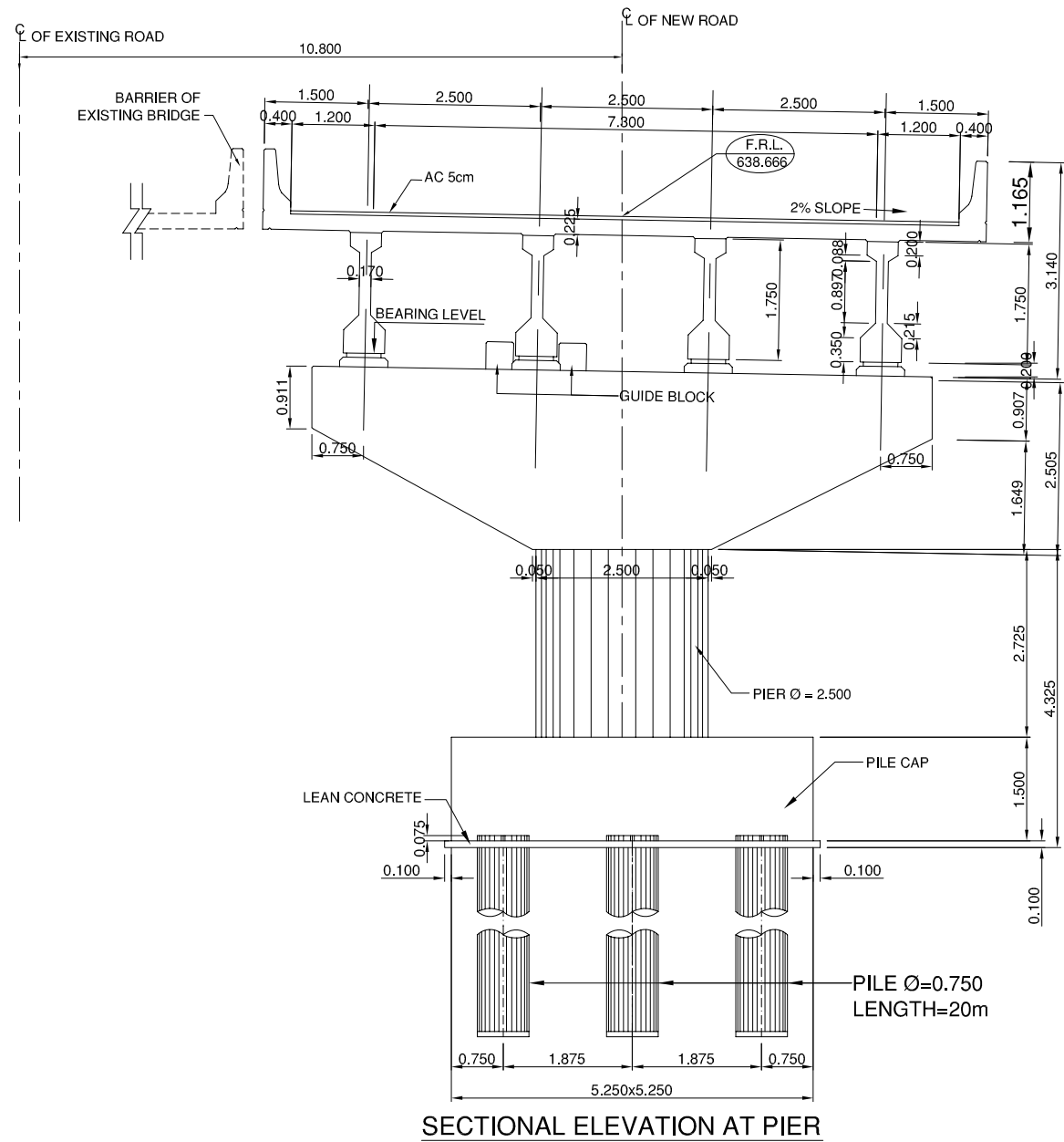
**SECTION C-C**

PROJECT NAME	CLIENTS		CONSULTANTS	DRAWING TITLE	SCALE	DWG NO
FEASIBILITY STUDY ON THE 2ND KOHAT TUNNEL AND ACCESS ROADS PROJECT	 GOVERNMENT OF PAKISTAN MINISTRY OF COMMUNICATIONS NATIONAL HIGHWAY AUTHORITY	 JAPAN INTERNATIONAL COOPERATION AGENCY	NIPPON KOEI CO., LTD AND ALMEC CORPORATION	DETAILED SECTIONS OF BRIDGE NO.6A R	1:100	BR6A-3

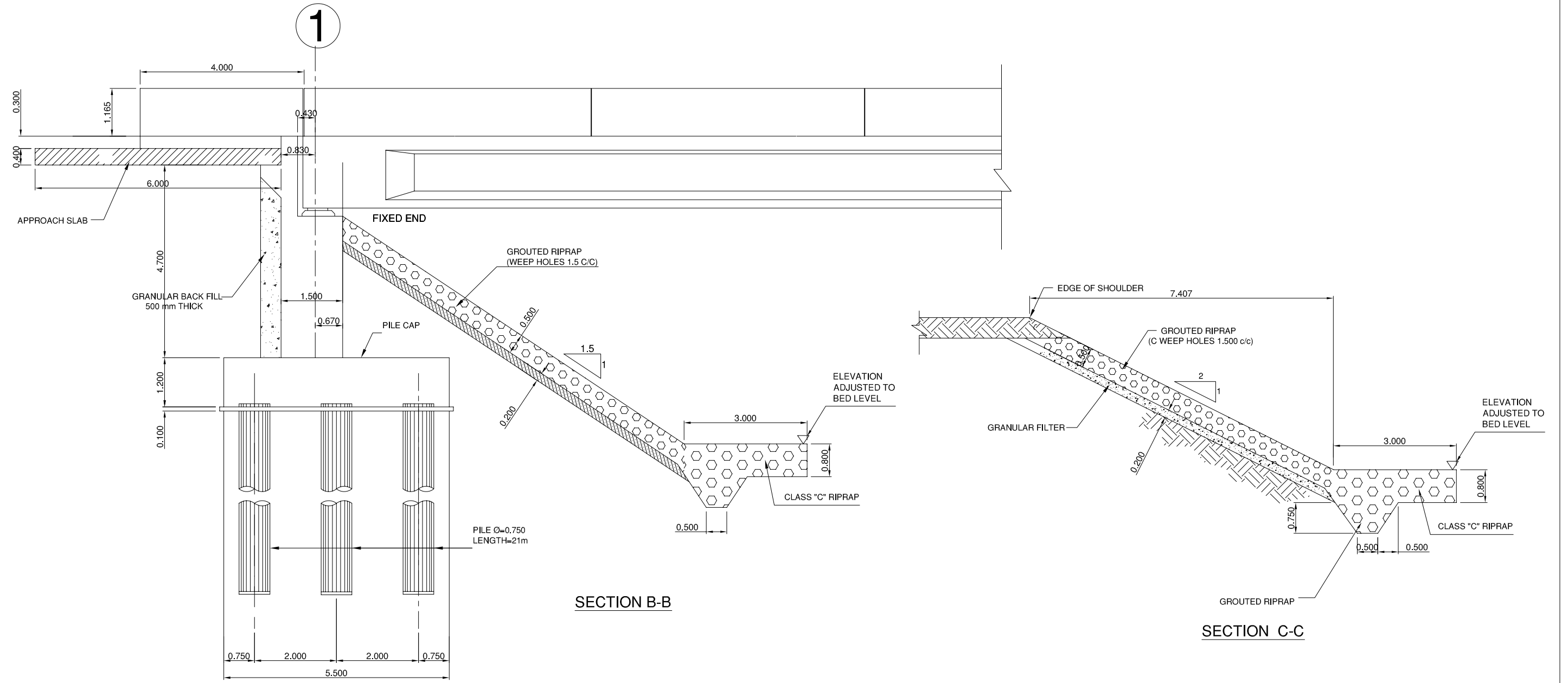


GENERAL ARRANGEMENT OF BRIDGE NO. 7 R

PROJECT NAME	CLIENTS		CONSULTANTS	DRAWING TITLE	SCALE	DWG NO
FEASIBILITY STUDY ON THE 2ND KOHAT TUNNEL AND ACCESS ROADS PROJECT	 GOVERNMENT OF PAKISTAN MINISTRY OF COMMUNICATIONS NATIONAL HIGHWAY AUTHORITY	 JAPAN INTERNATIONAL COOPERATION AGENCY	NIPPON KOEI CO., LTD AND ALMEC CORPORATION	GENERAL ARRANGEMENT OF BRIDGE NO.7 R	1:300	BR7-1

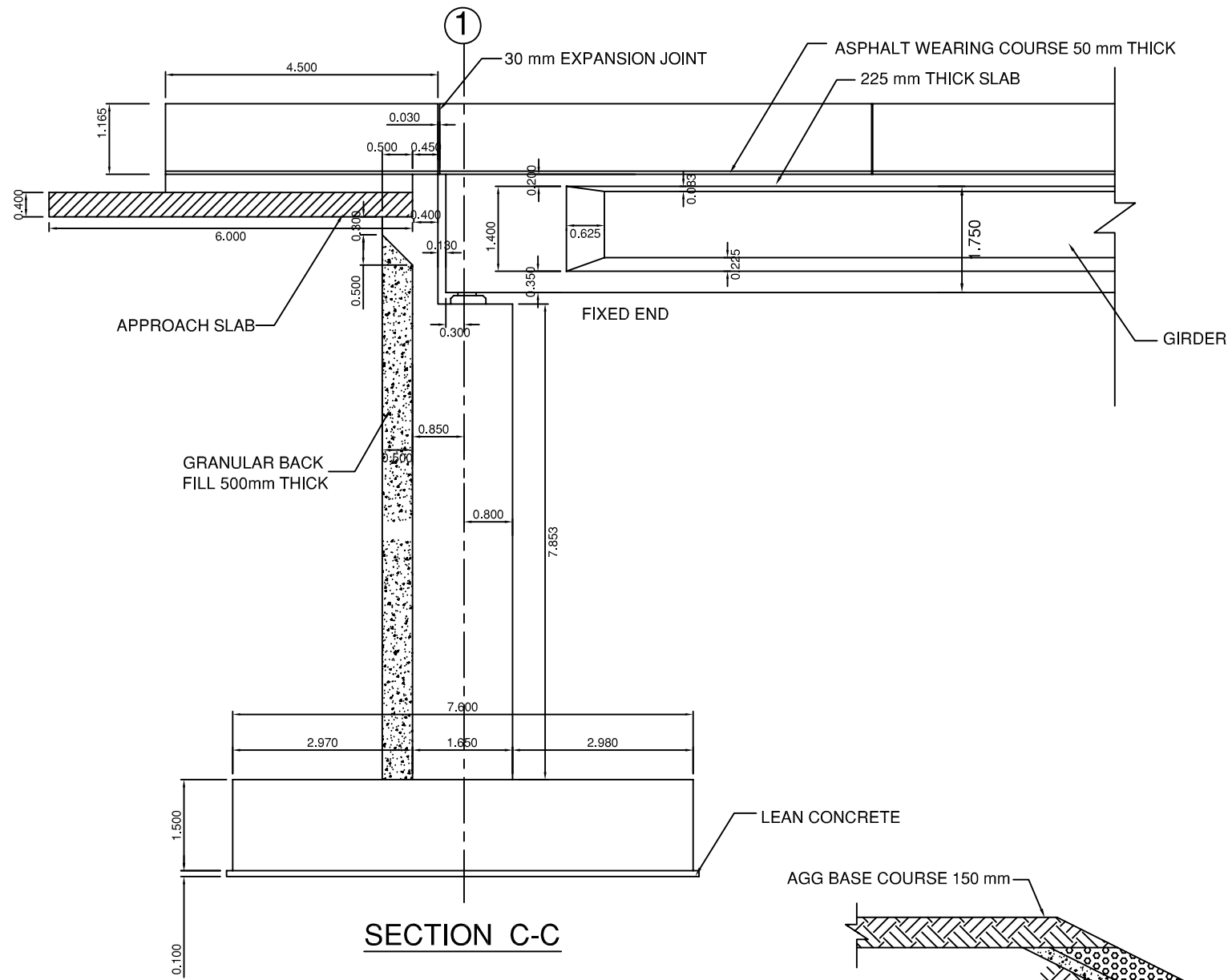


PROJECT NAME	CLIENTS		CONSULTANTS	DRAWING TITLE	SCALE	DWG NO
FEASIBILITY STUDY ON THE 2ND KOHAT TUNNEL AND ACCESS ROADS PROJECT	 GOVERNMENT OF PAKISTAN MINISTRY OF COMMUNICATIONS NATIONAL HIGHWAY AUTHORITY	 JAPAN INTERNATIONAL COOPERATION AGENCY	NIPPON KOEI CO., LTD AND ALMEC CORPORATION	ELEVATIONS OF BRIDGE NO.7 R	1:100	BR7-2

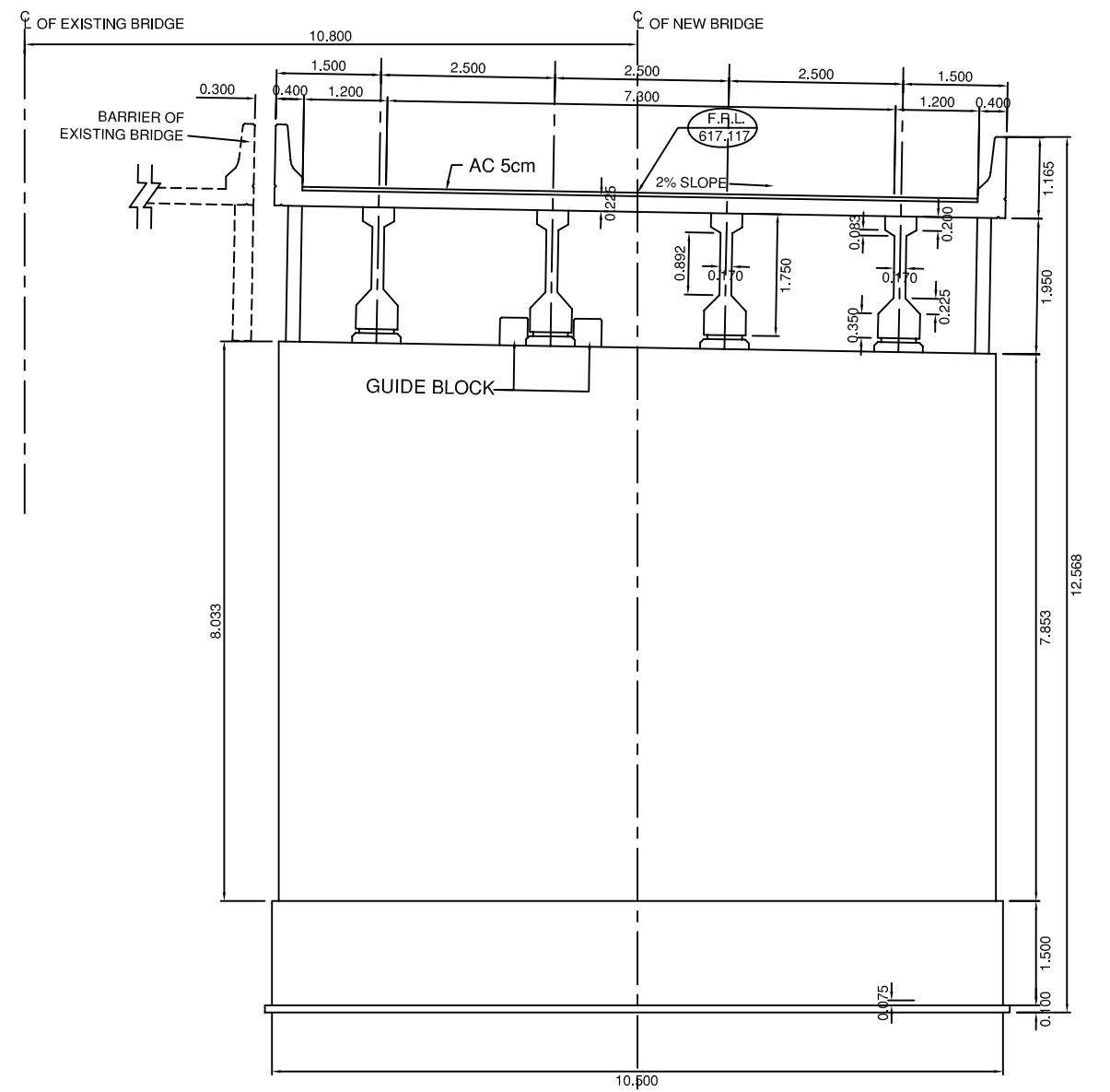


PROJECT NAME	CLIENTS		CONSULTANTS	DRAWING TITLE	SCALE	DWG NO
FEASIBILITY STUDY ON THE 2ND KOHAT TUNNEL AND ACCESS ROADS PROJECT	 GOVERNMENT OF PAKISTAN MINISTRY OF COMMUNICATIONS NATIONAL HIGHWAY AUTHORITY	 JAPAN INTERNATIONAL COOPERATION AGENCY	NIPPON KOEI CO., LTD AND ALMEC CORPORATION	DETAILED SECTION OF BRIDGE NO.7 R	1:100	BR7-3

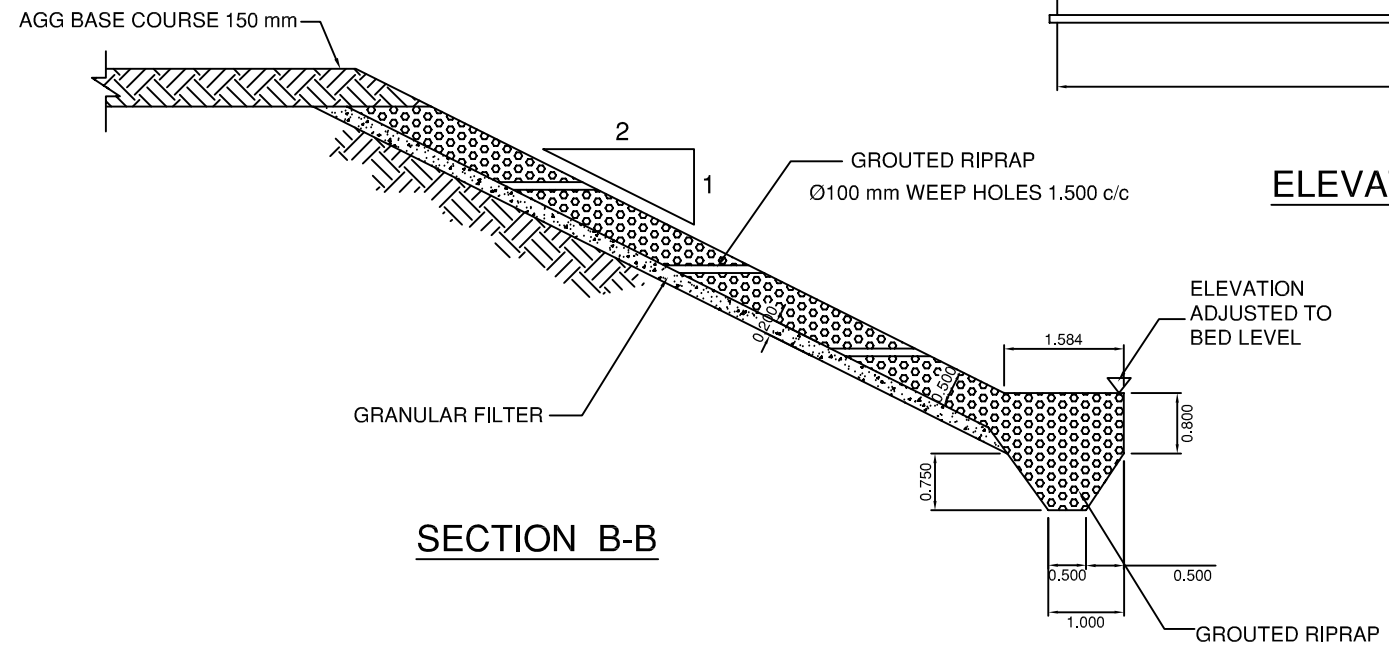






SECTION C-C

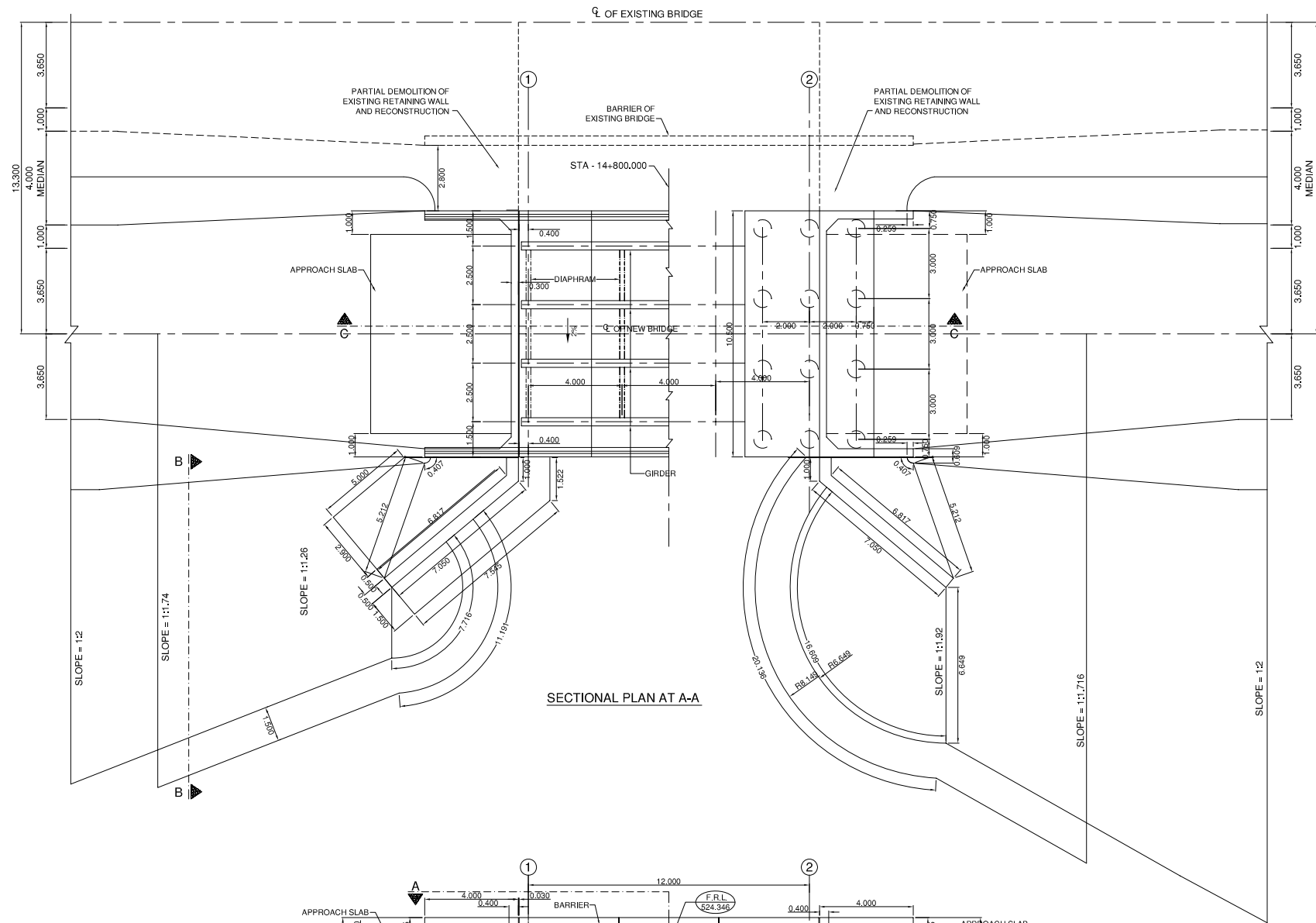


ELEVATION AT A - A

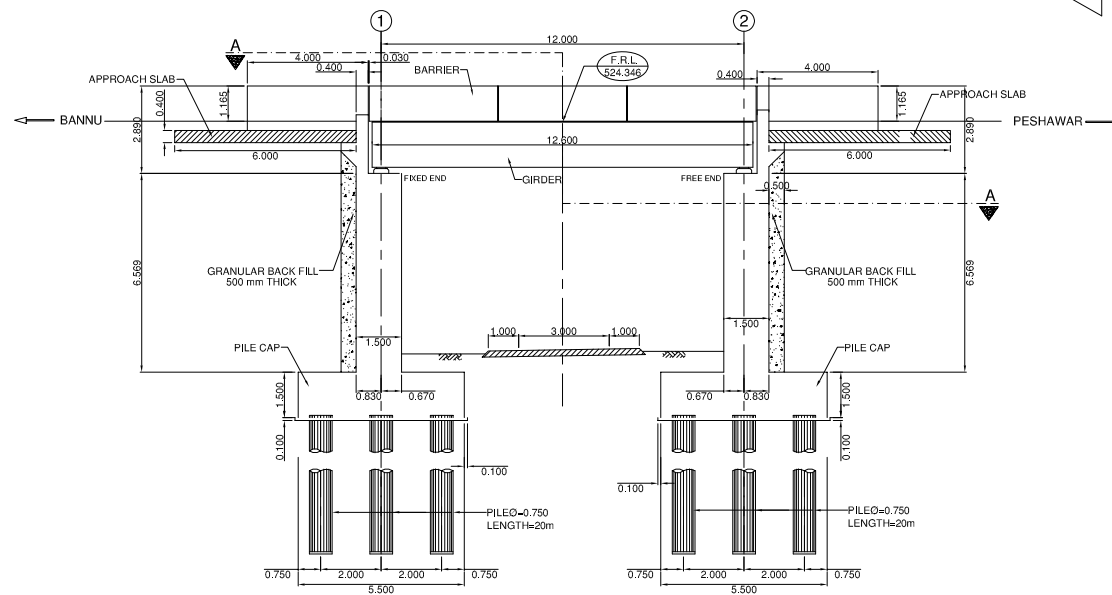


SECTION B-B

PROJECT NAME	CLIENTS		CONSULTANTS	DRAWING TITLE	SCALE	DWG NO
FEASIBILITY STUDY ON THE 2ND KOHAT TUNNEL AND ACCESS ROADS PROJECT	 GOVERNMENT OF PAKISTAN MINISTRY OF COMMUNICATIONS NATIONAL HIGHWAY AUTHORITY	 JAPAN INTERNATIONAL COOPERATION AGENCY	NIPPON KOEI CO., LTD AND ALMEC CORPORATION	ELEVATION OF BRIDGE NO.8 R	1:100	BR8-2

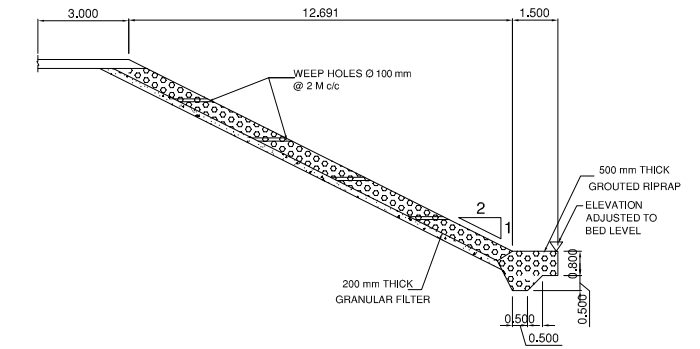


SECTIONAL PLAN AT A-A



ELEVATION (C - C)

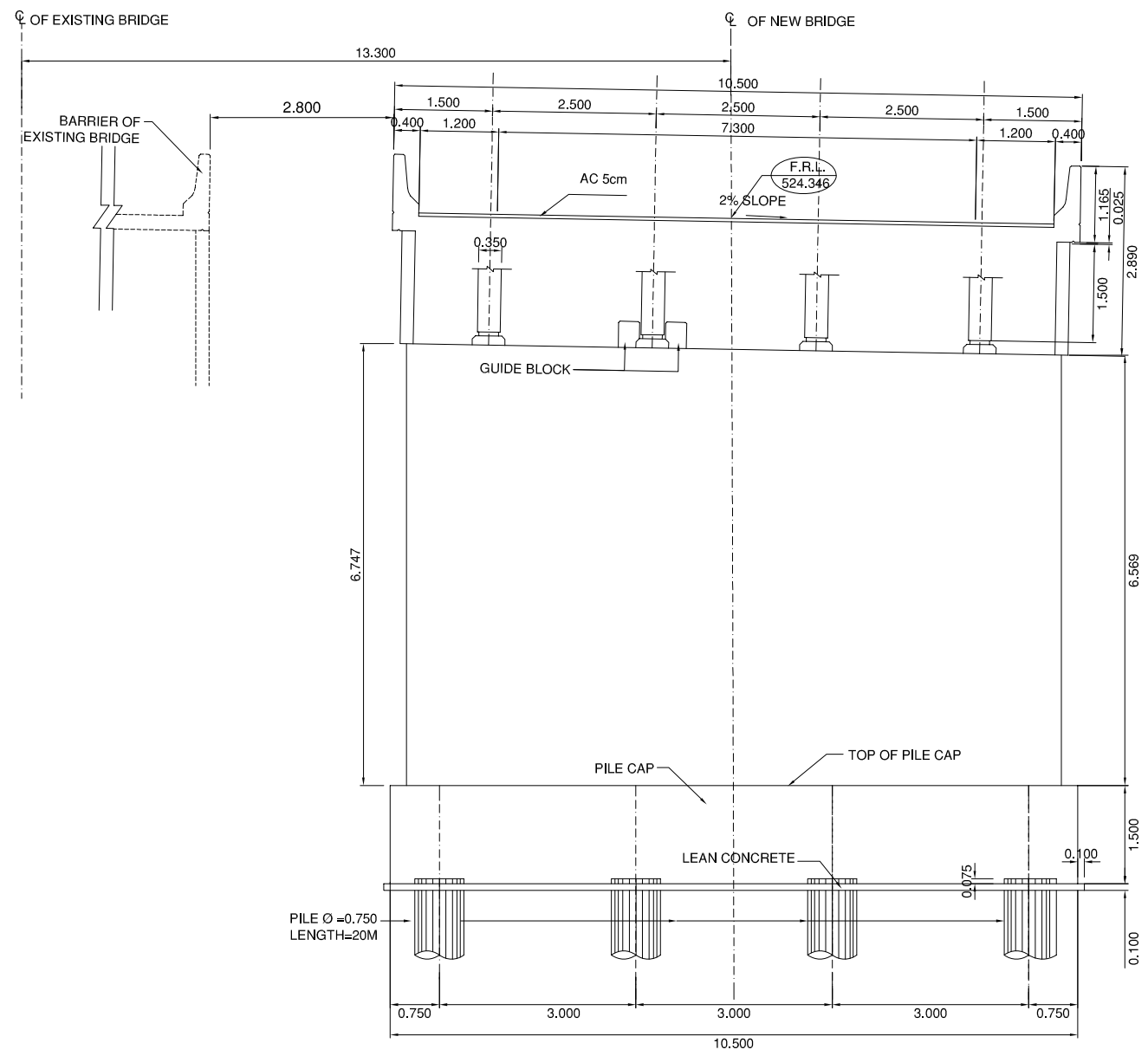
GENERAL ARRANGEMENT OF BRIDGE NO. 09 R



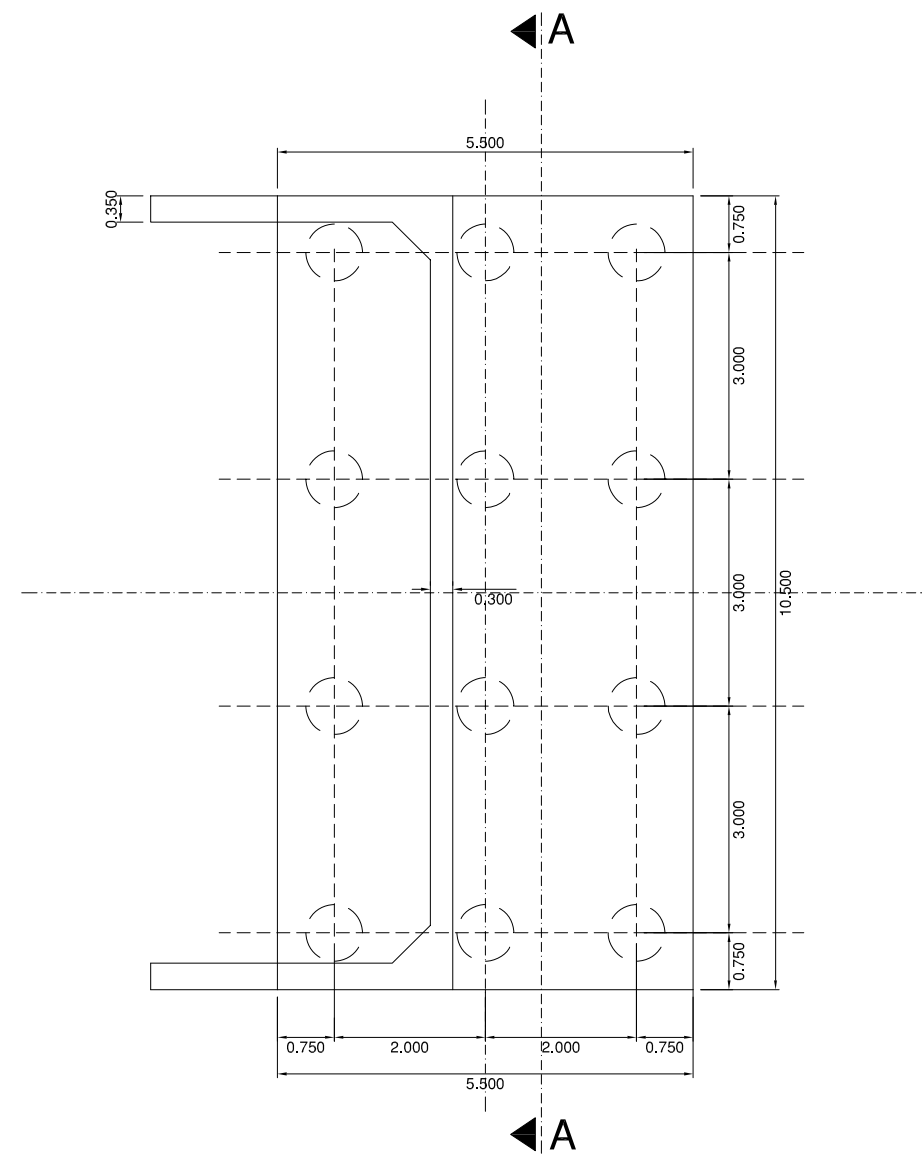
SECTION B - B

PROJECT NAME	CLIENTS		CONSULTANTS	DRAWING TITLE	SCALE	DWG NO
FEASIBILITY STUDY ON THE 2ND KOHAT TUNNEL AND ACCESS ROADS PROJECT	 GOVERNMENT OF PAKISTAN MINISTRY OF COMMUNICATIONS NATIONAL HIGHWAY AUTHORITY	 JAPAN INTERNATIONAL COOPERATION AGENCY	NIPPON KOEI CO., LTD AND ALMEC CORPORATION	GENERAL ARRANGEMENT OF BRIDGE NO.9 R	1:250	BR9-1





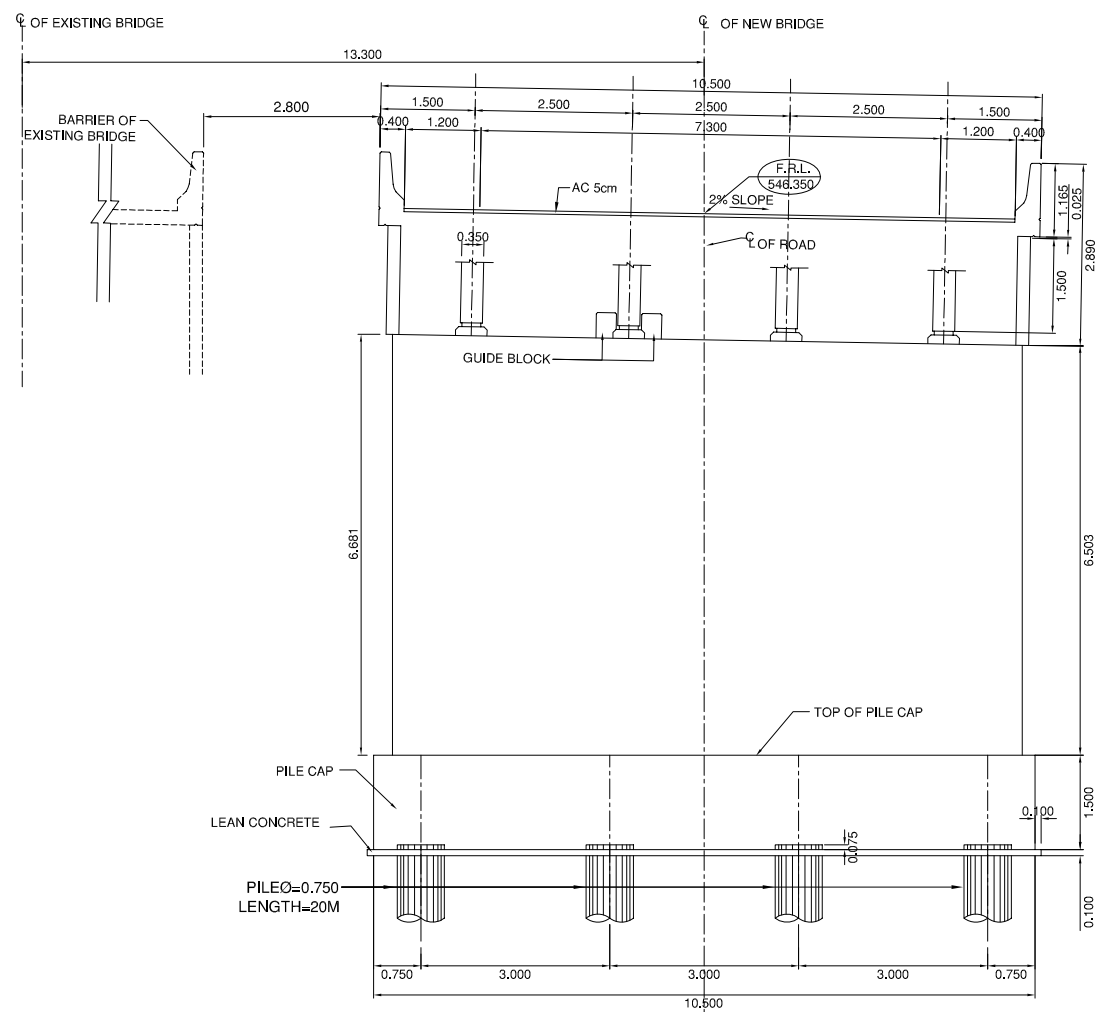
ELEVATION A - A



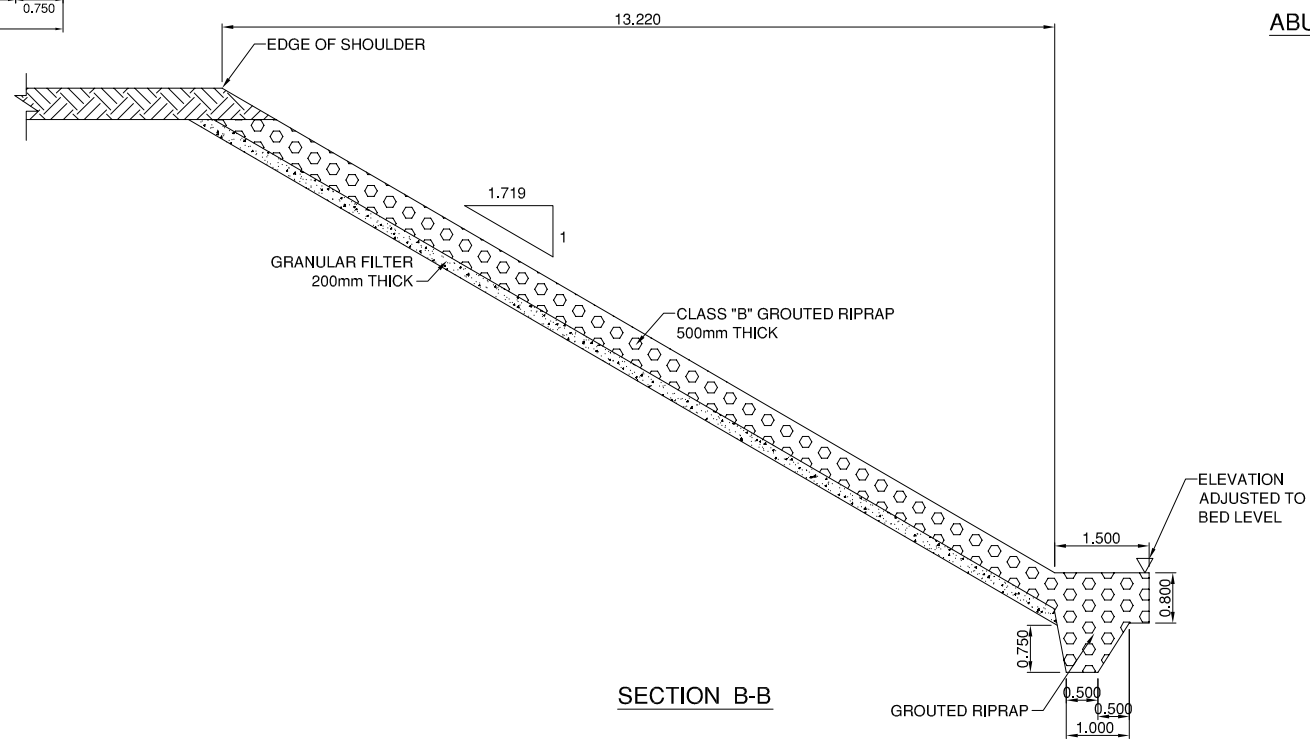
ABUTMENT PLAN

PROJECT NAME	CLIENTS		CONSULTANTS	DRAWING TITLE	SCALE	DWG NO
FEASIBILITY STUDY ON THE 2ND KOHAT TUNNEL AND ACCESS ROADS PROJECT	 GOVERNMENT OF PAKISTAN MINISTRY OF COMMUNICATIONS NATIONAL HIGHWAY AUTHORITY	 JAPAN INTERNATIONAL COOPERATION AGENCY	NIPPON KOEI CO., LTD AND ALMEC CORPORATION	ELEVATION OF BRIDGE NO.9 R	1:100	BR9-2

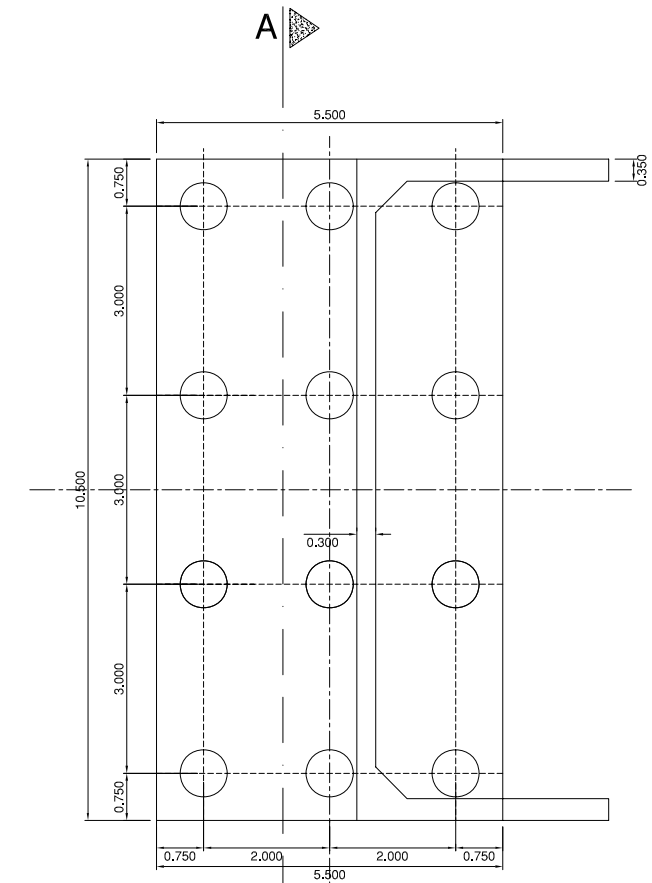




ELEVATION A - A



SECTION B-B



ABUTMENT PLAN

PROJECT NAME	CLIENTS	CONSULTANTS	DRAWING TITLE	SCALE	DWG NO	
FEASIBILITY STUDY ON THE 2ND KOHAT TUNNEL AND ACCESS ROADS PROJECT	 GOVERNMENT OF PAKISTAN MINISTRY OF COMMUNICATIONS NATIONAL HIGHWAY AUTHORITY	 JAPAN INTERNATIONAL COOPERATION AGENCY	NIPPON KOEI CO., LTD AND ALMEC CORPORATION	ELEVATION OF BRIDGE NO.10 R	1:120	BR10-2