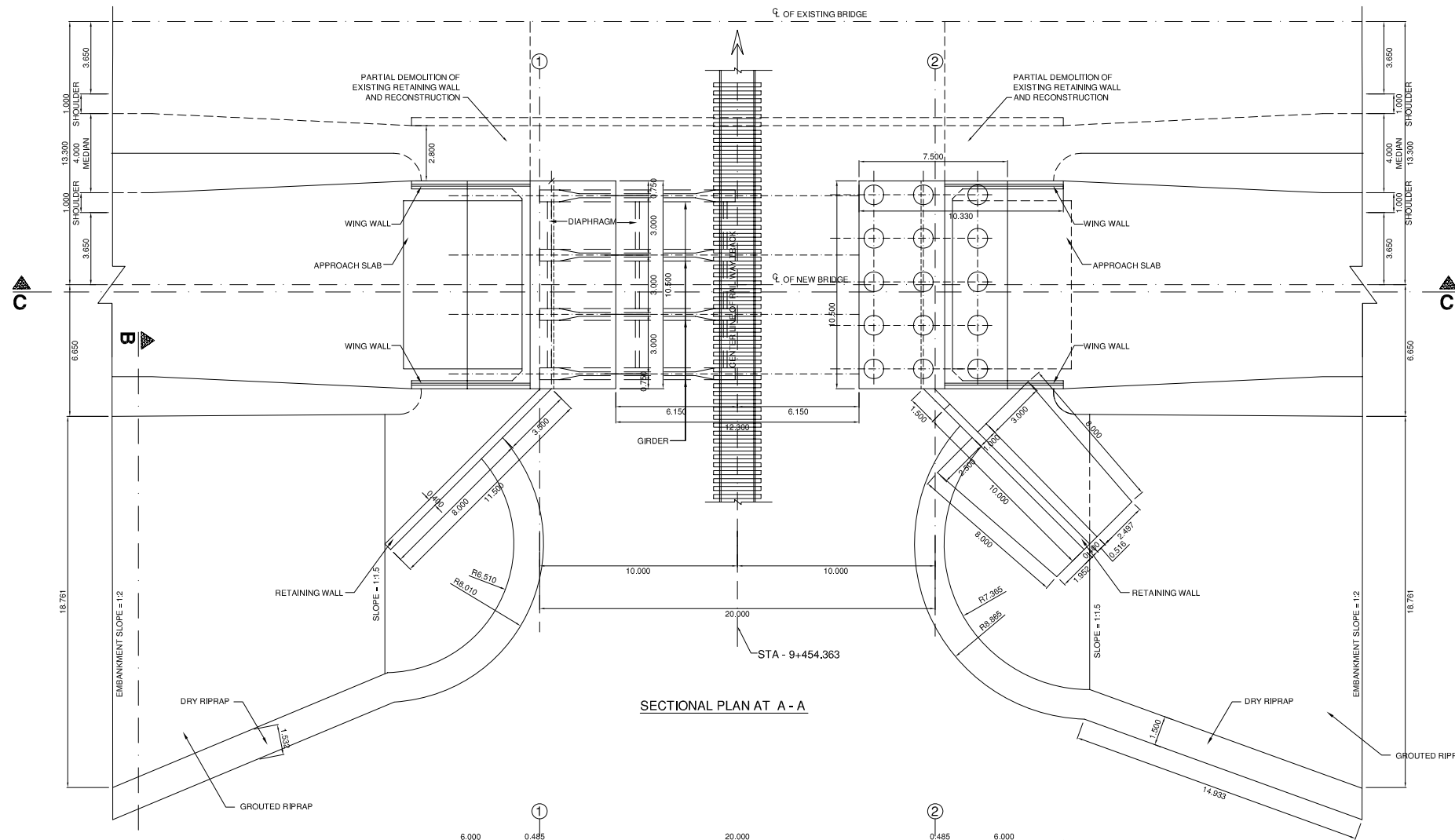
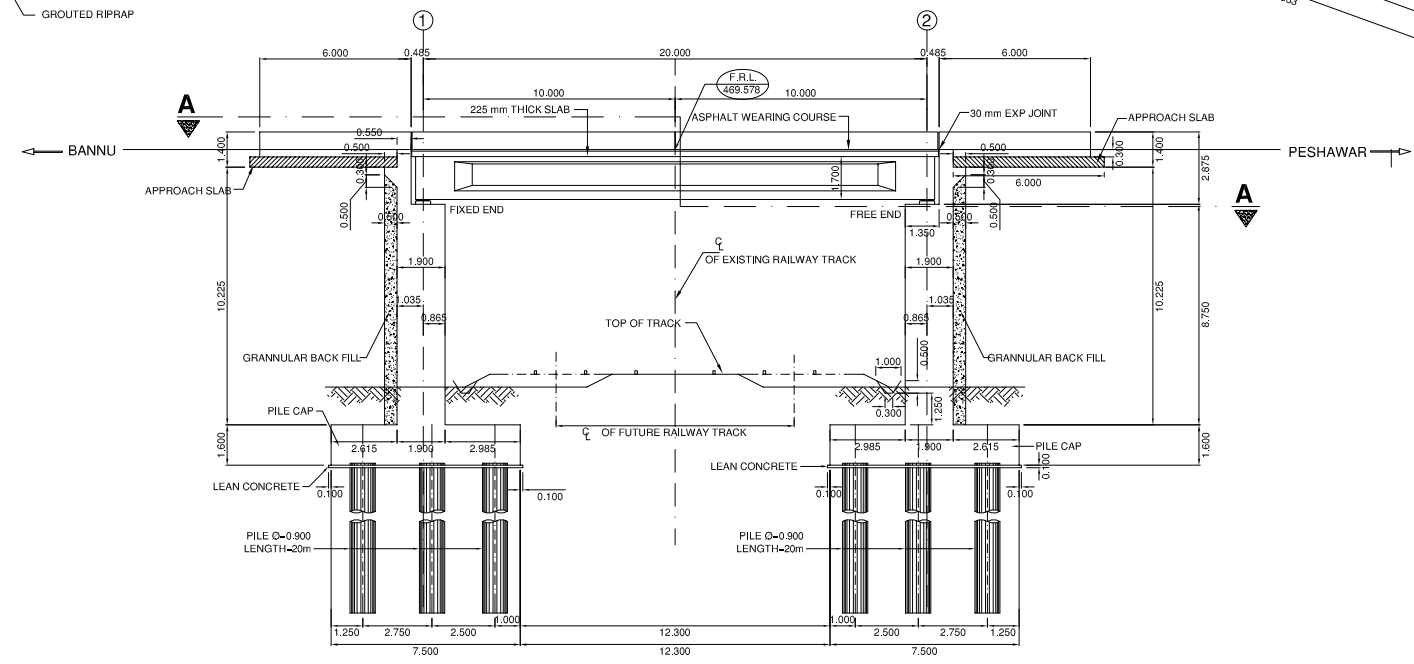


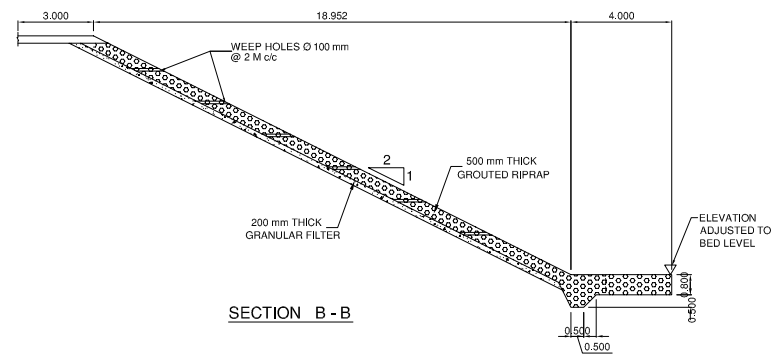
PROJECT NAME	CLIENTS		CONSULTANTS	DRAWING TITLE	SCALE	DWG NO
FEASIBILITY STUDY ON THE 2ND KOHAT TUNNEL AND ACCESS ROADS PROJECT	 GOVERNMENT OF PAKISTAN MINISTRY OF COMMUNICATIONS NATIONAL HIGHWAY AUTHORITY	 JAPAN INTERNATIONAL COOPERATION AGENCY	NIPPON KOEI CO., LTD AND ALMEC CORPORATION	DETAILED SECTIONS BRIDGE NO.2 R	1:100	BR2-3



SECTIONAL PLAN AT A - A

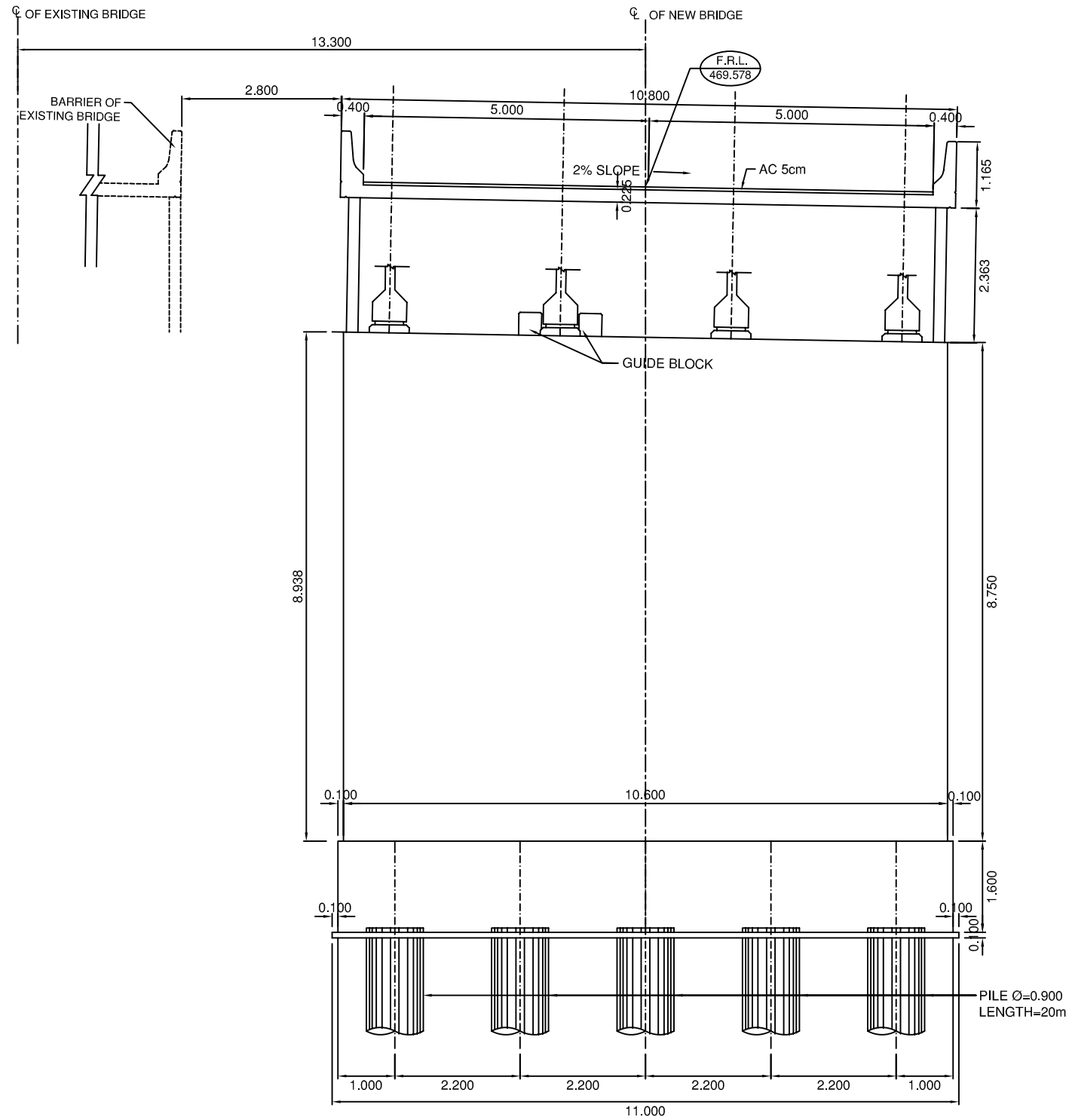


ELEVATION (C - C)
GENERAL ARRANGEMENT OF BRIDGE NO.3A R

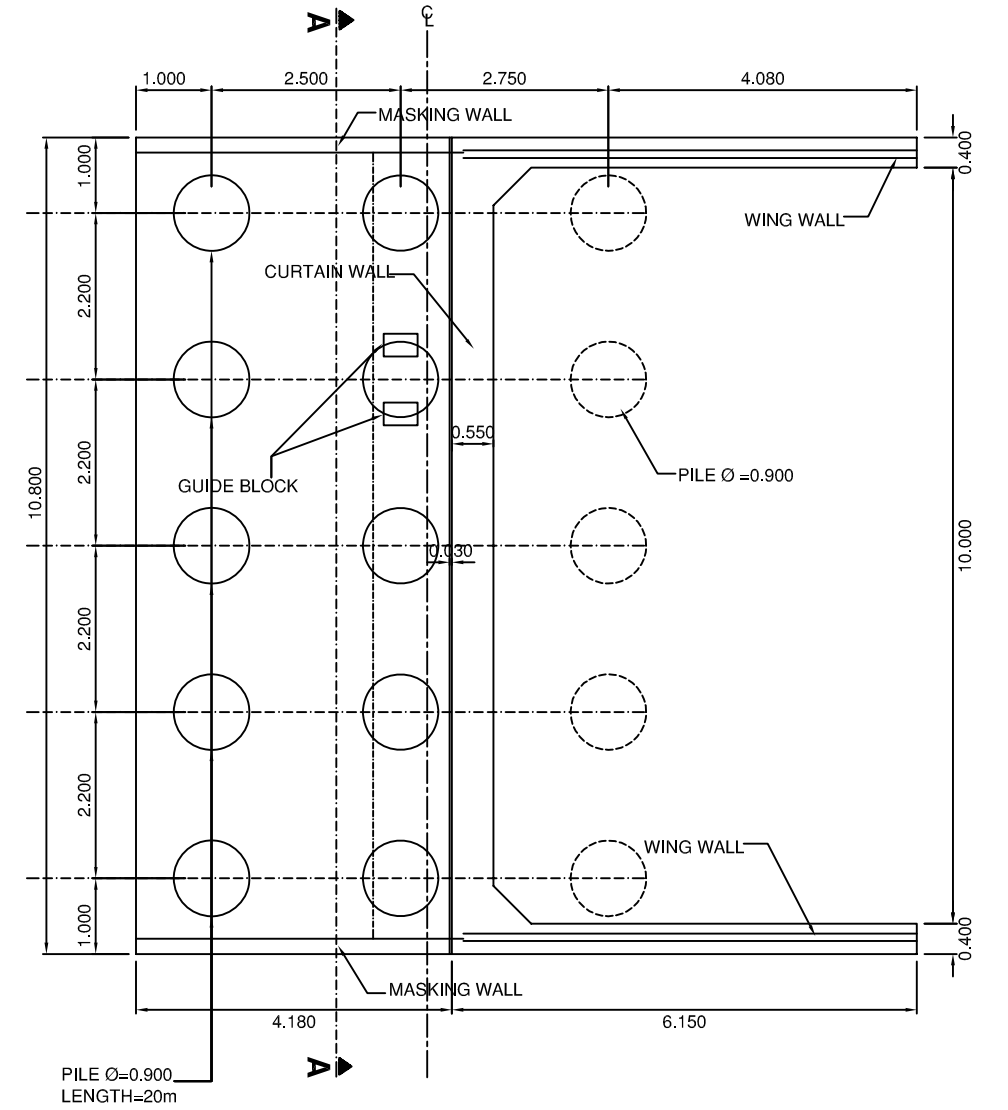


SECTION B - B

PROJECT NAME	CLIENTS		CONSULTANTS	DRAWING TITLE	SCALE	DWG NO
FEASIBILITY STUDY ON THE 2ND KOHAT TUNNEL AND ACCESS ROADS PROJECT	 GOVERNMENT OF PAKISTAN MINISTRY OF COMMUNICATIONS NATIONAL HIGHWAY AUTHORITY	 JAPAN INTERNATIONAL COOPERATION AGENCY	NIPPON KOEI CO., LTD AND ALMEC CORPORATION	GENERAL ARRANGEMENT OF BRIDGE NO.3A R	1:300	BR3A-1

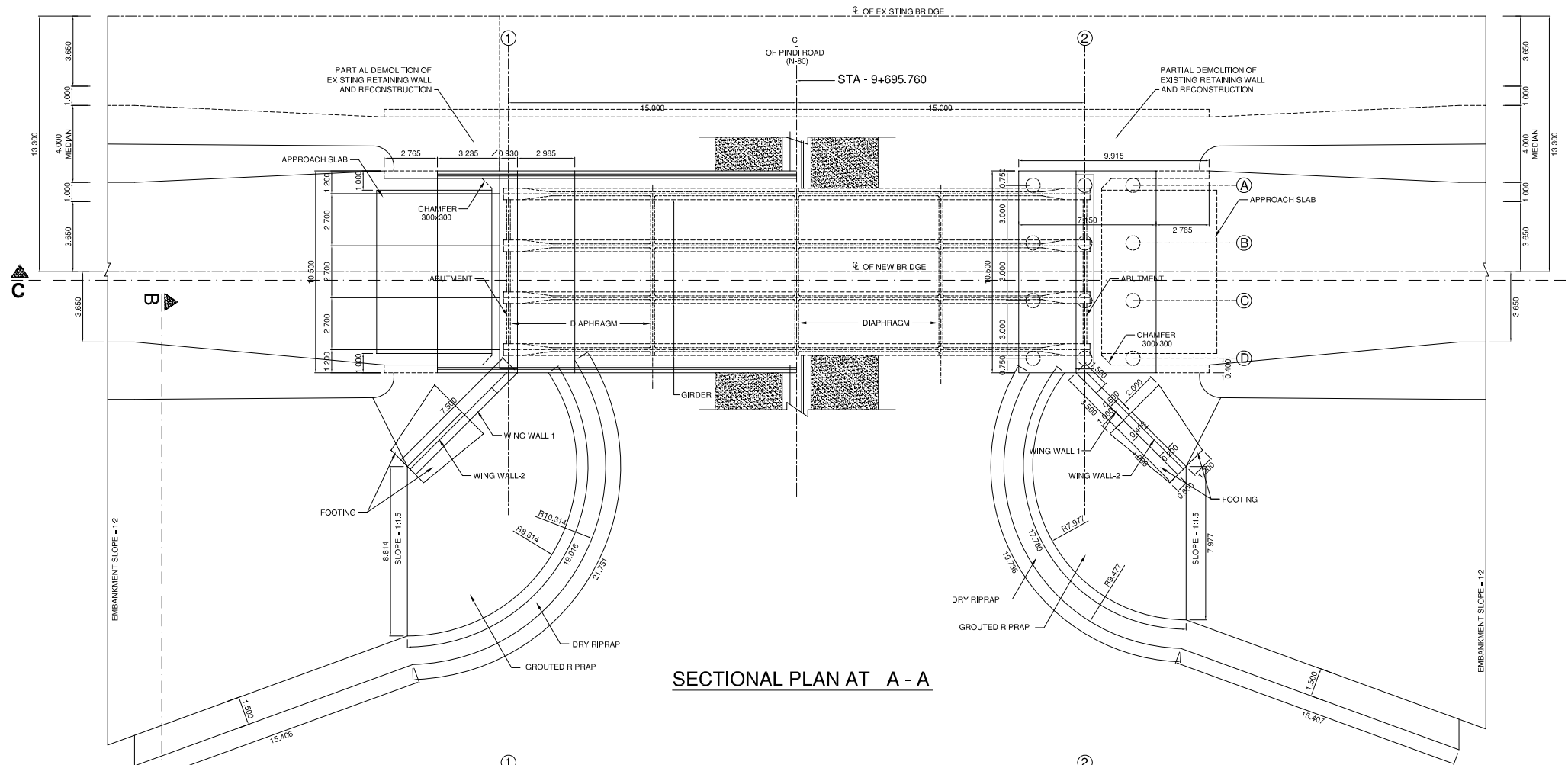


ELEVATION A - A

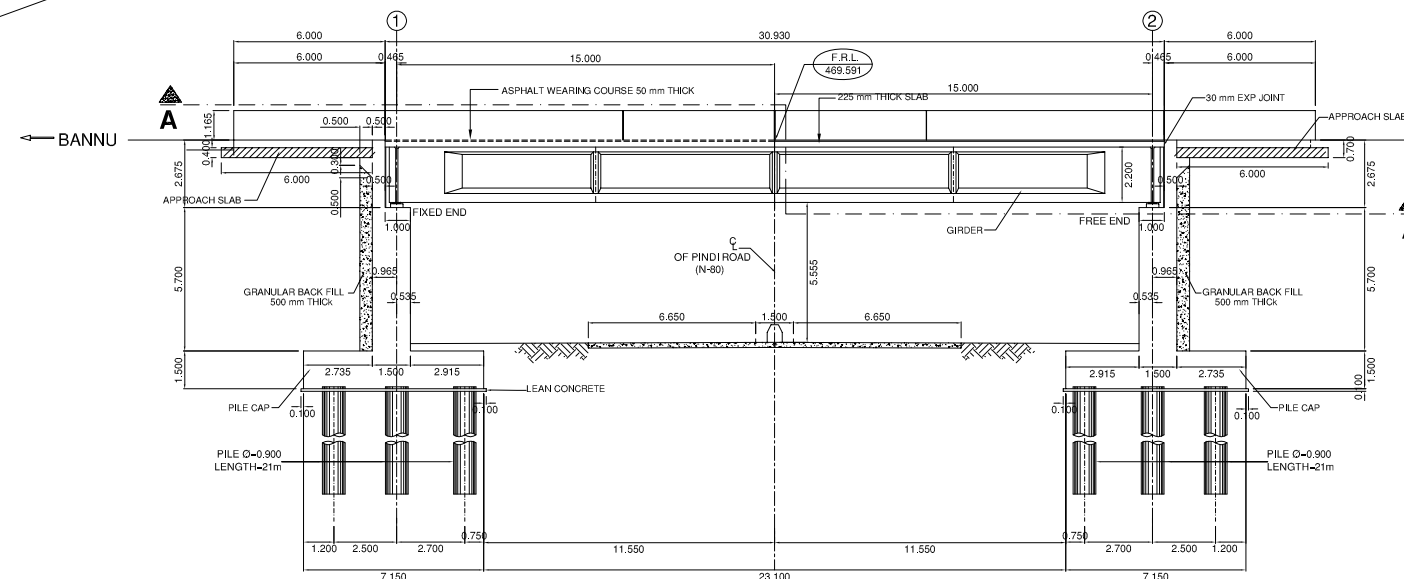


PLAN OF ABUTMENT

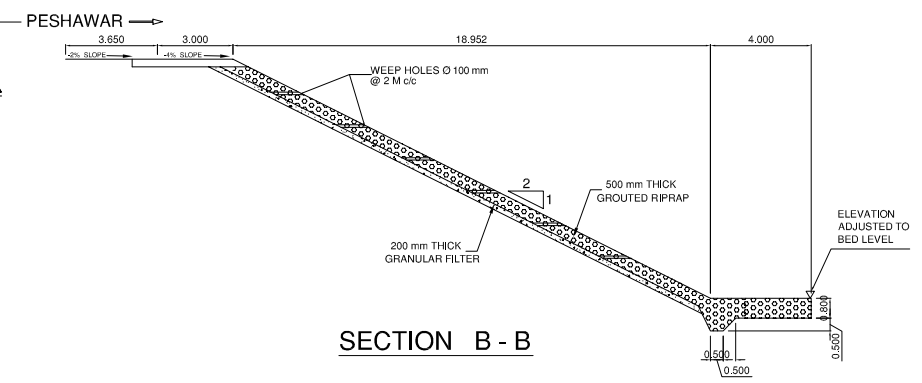
PROJECT NAME	CLIENTS		CONSULTANTS	DRAWING TITLE	SCALE	DWG NO
FEASIBILITY STUDY ON THE 2ND KOHAT TUNNEL AND ACCESS ROADS PROJECT	 GOVERNMENT OF PAKISTAN MINISTRY OF COMMUNICATIONS NATIONAL HIGHWAY AUTHORITY	 JAPAN INTERNATIONAL COOPERATION AGENCY	NIPPON KOEI CO., LTD AND ALMEC CORPORATION	ELEVATION OF BRIDGE NO. 3A R	1:100	BR3A-2



SECTIONAL PLAN AT A - A



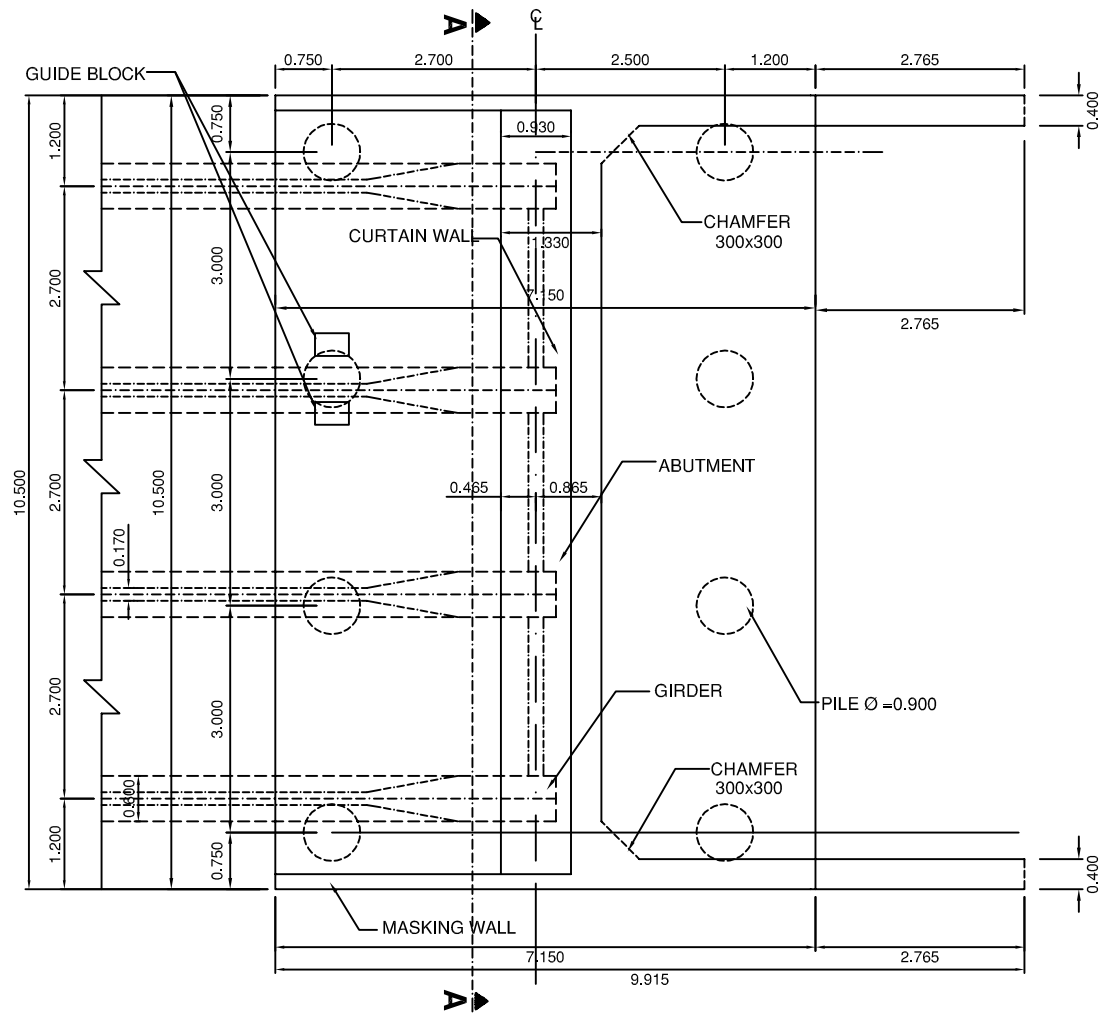
ELEVATION (C - C)



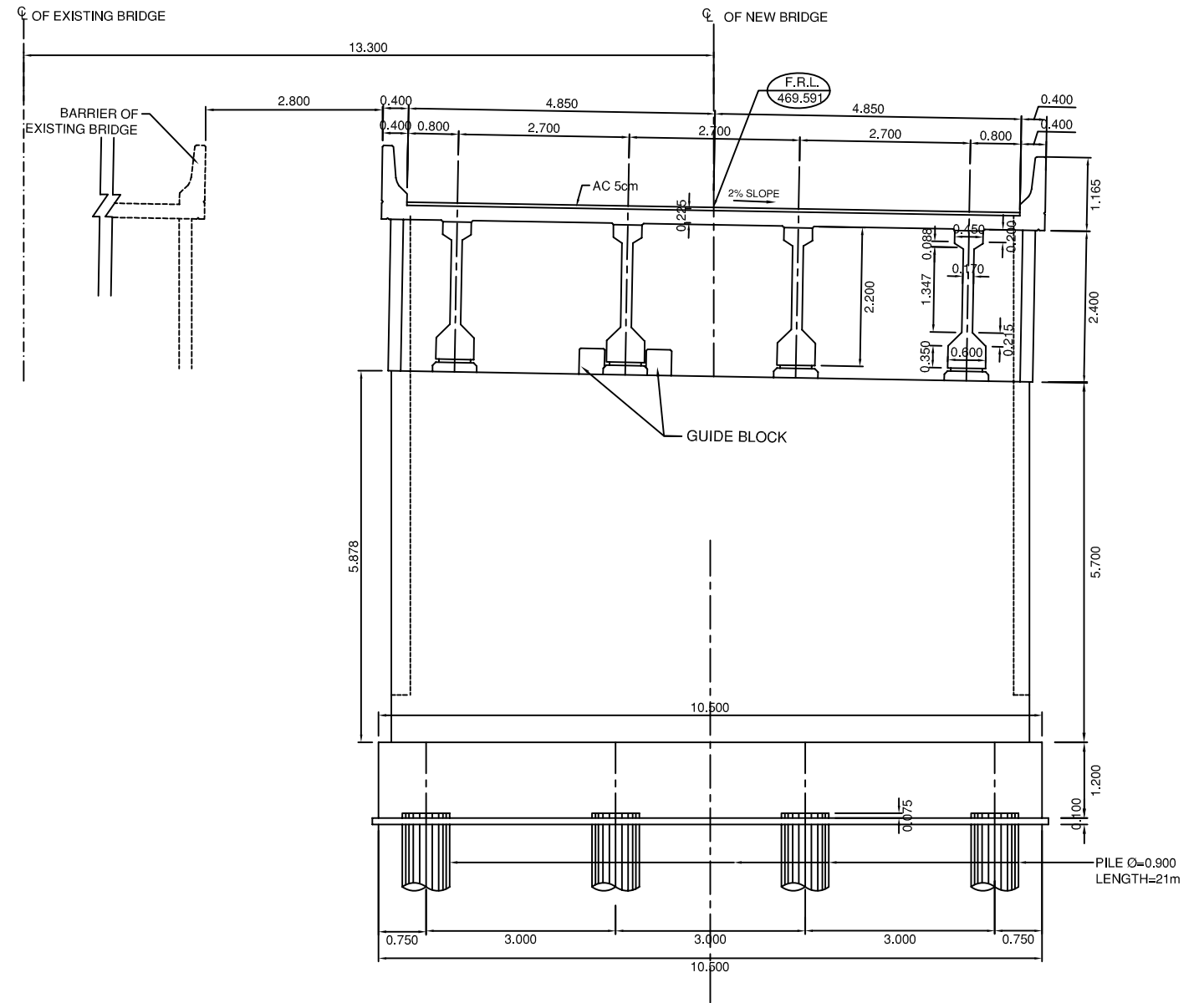
SECTION B - B

GENERAL ARRANGEMENT OF BRIDGE NO.3B R

PROJECT NAME	CLIENTS	CONSULTANTS	DRAWING TITLE	SCALE	DWG NO
FEASIBILITY STUDY ON THE 2ND KOHAT TUNNEL AND ACCESS ROADS PROJECT	 GOVERNMENT OF PAKISTAN MINISTRY OF COMMUNICATIONS NATIONAL HIGHWAY AUTHORITY	 JAPAN INTERNATIONAL COOPERATION AGENCY	NIPPON KOEI CO., LTD AND ALMEC CORPORATION	1:300	BR3B-1

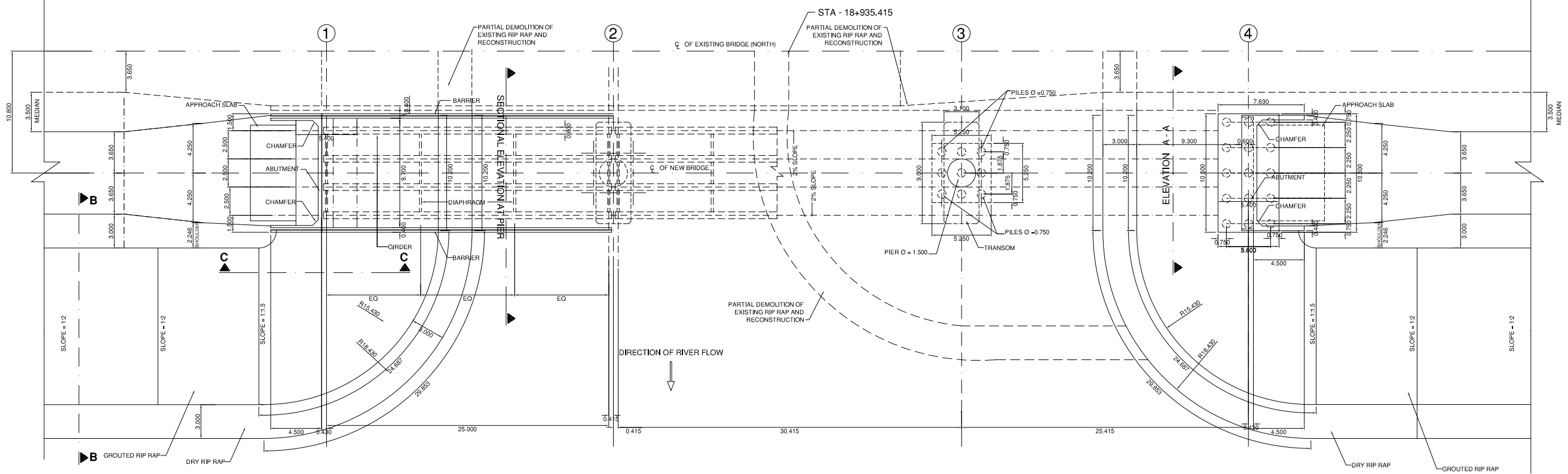


PLAN OF ABUTMENT

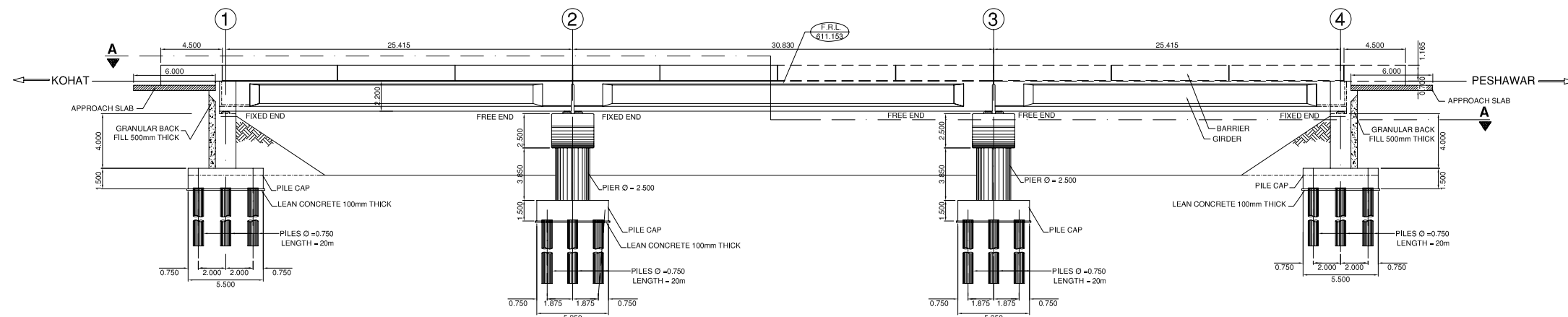


SECTION A - A

PROJECT NAME	CLIENTS		CONSULTANTS	DRAWING TITLE	SCALE	DWG NO
FEASIBILITY STUDY ON THE 2ND KOHAT TUNNEL AND ACCESS ROADS PROJECT	 GOVERNMENT OF PAKISTAN MINISTRY OF COMMUNICATIONS NATIONAL HIGHWAY AUTHORITY	 JAPAN INTERNATIONAL COOPERATION AGENCY	NIPPON KOEI CO., LTD AND ALMEC CORPORATION	ELEVATION OF BRIDGE NO.3B R	1:100	BR3B-2



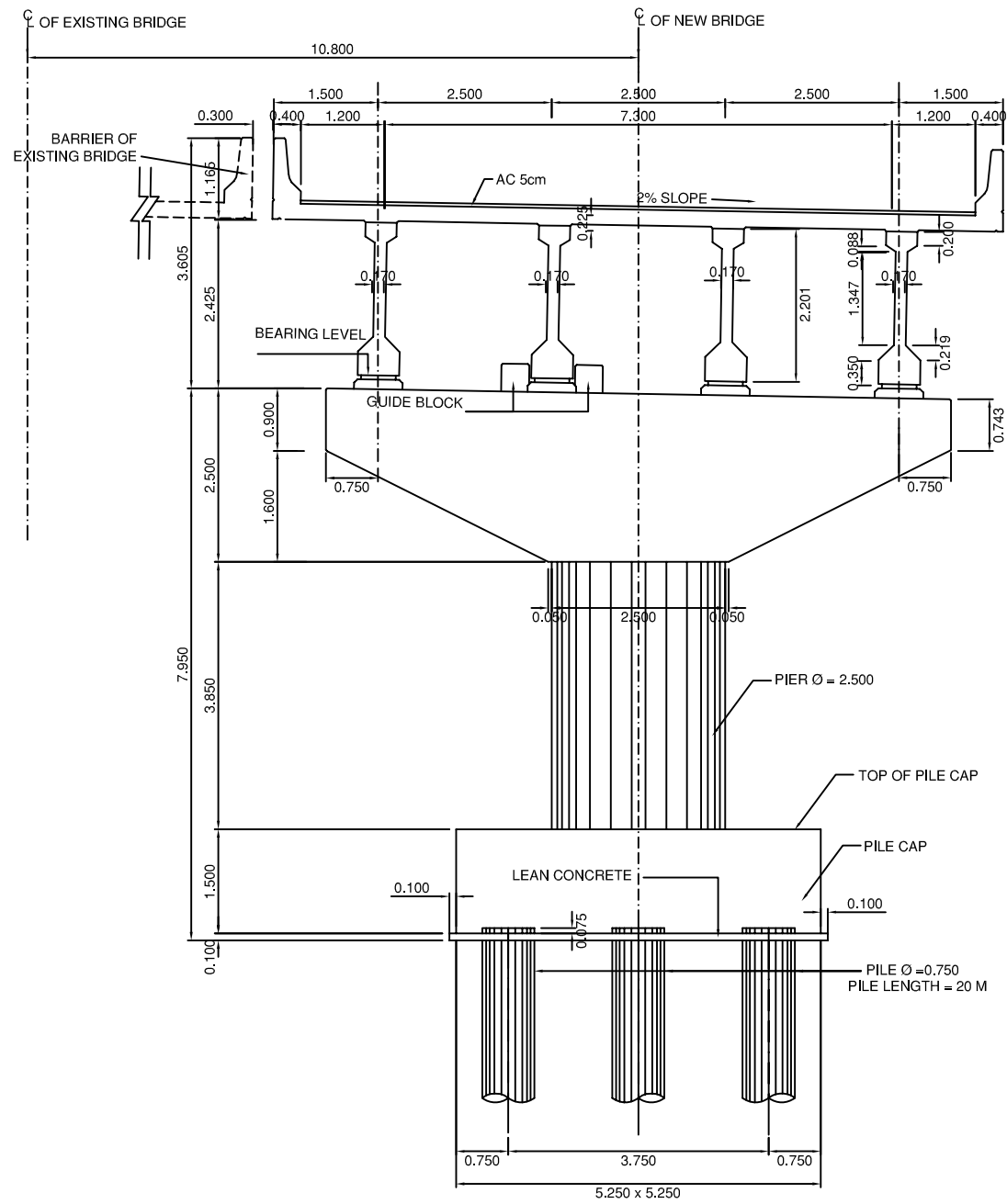
SECTIONAL PLAN A-A



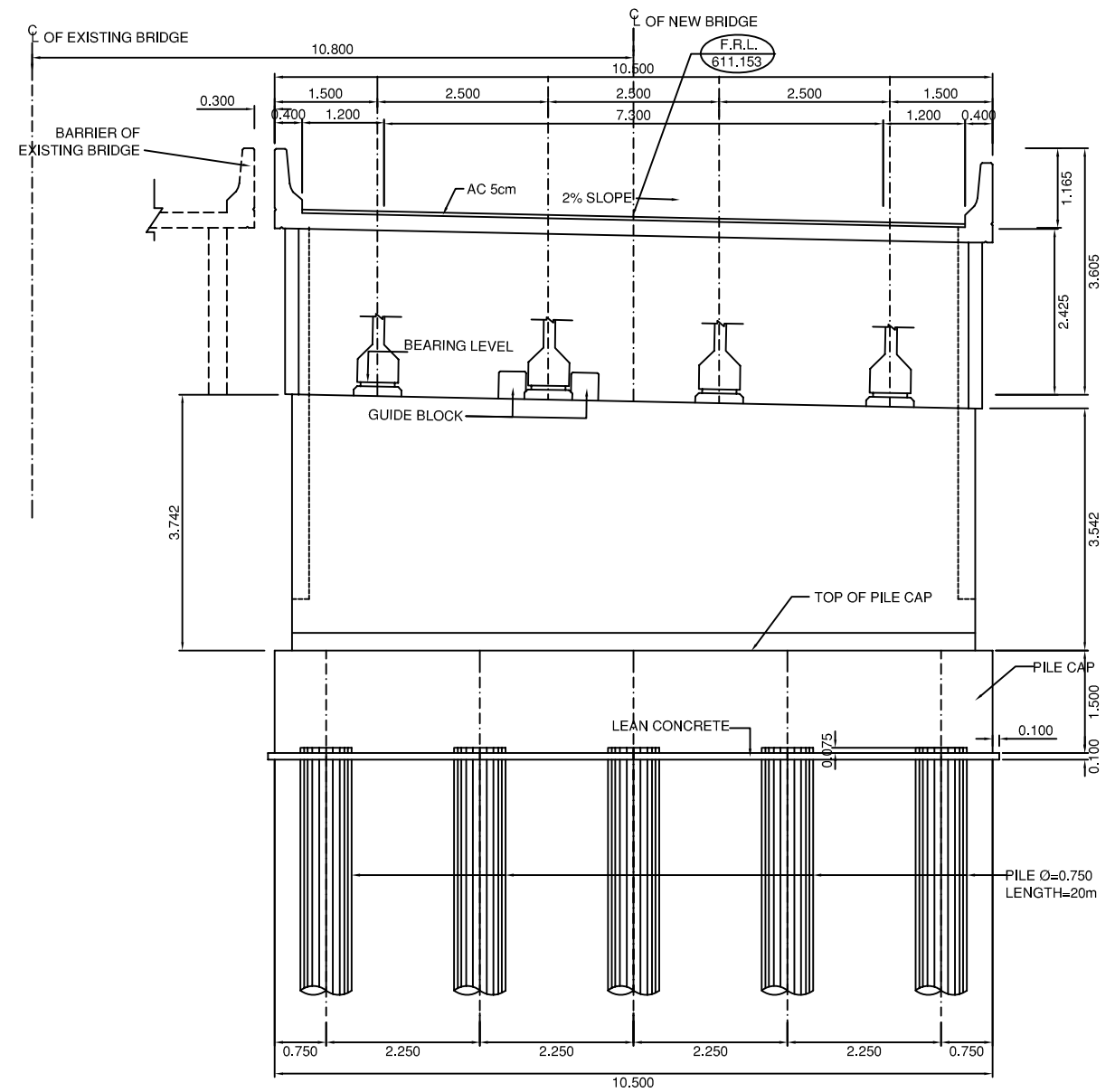
ELEVATION

GENERAL ARRANGEMENT OF BRIDGE NO.5 R

PROJECT NAME	CLIENTS		CONSULTANTS	DRAWING TITLE	SCALE	DWG NO
FEASIBILITY STUDY ON THE 2ND KOHAT TUNNEL AND ACCESS ROADS PROJECT	 GOVERNMENT OF PAKISTAN MINISTRY OF COMMUNICATIONS NATIONAL HIGHWAY AUTHORITY	 JAPAN INTERNATIONAL COOPERATION AGENCY	NIPPON KOEI CO., LTD AND ALMEC CORPORATION	GENERAL ARRANGEMENT OF BRIDGE NO.5 R	1:400	BR5-1

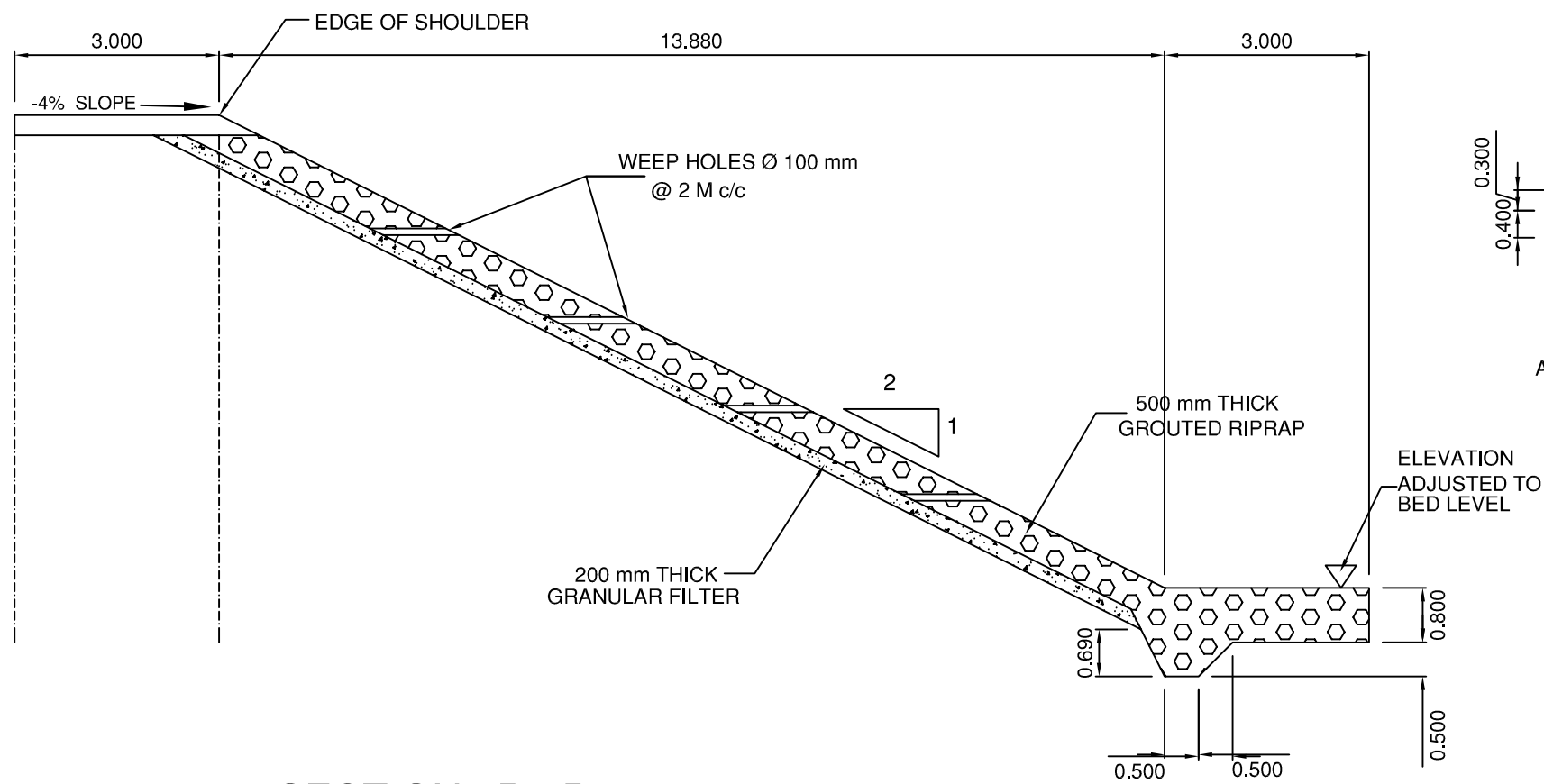


SECTIONAL ELEVATION AT PIER

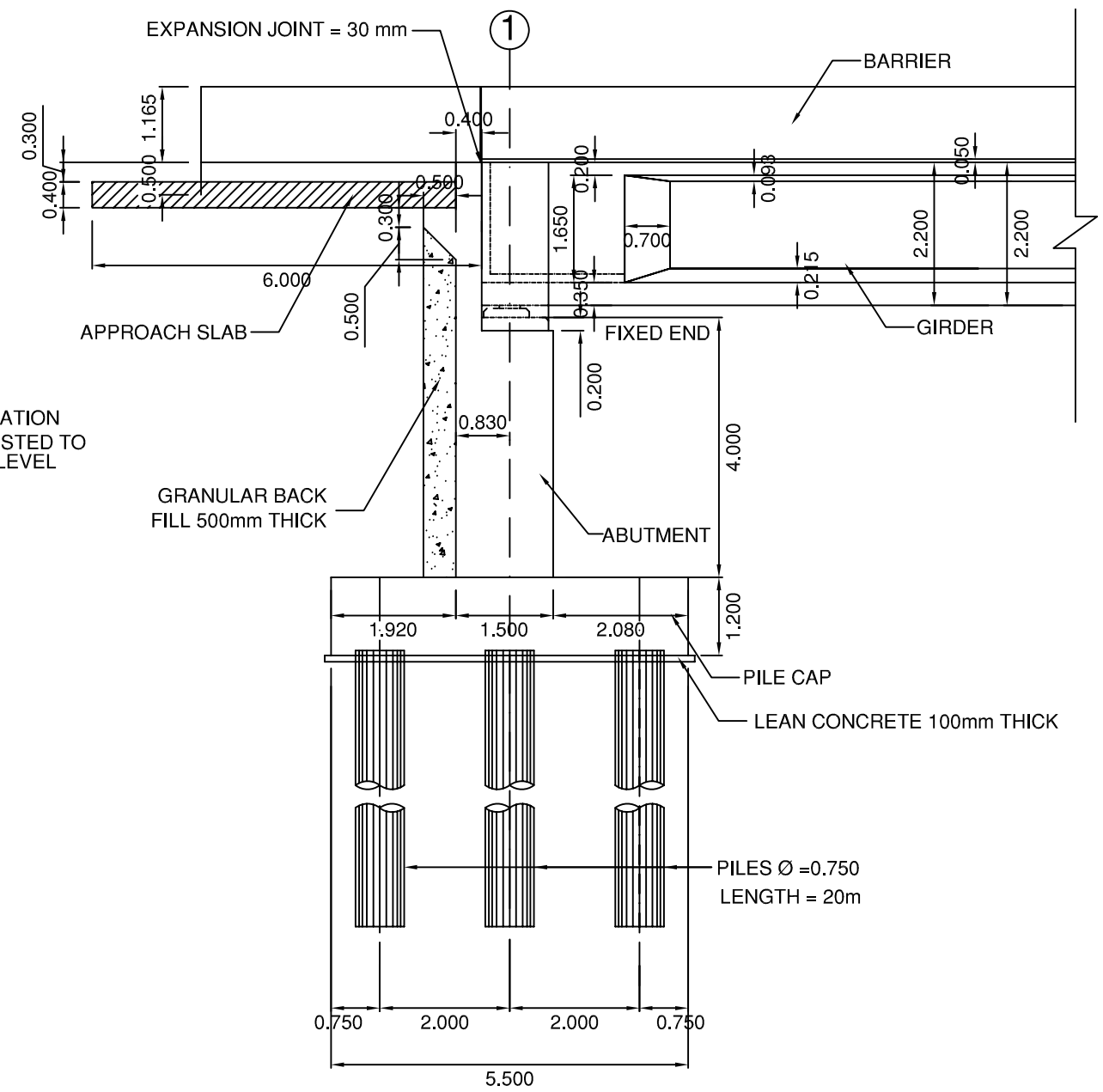


ELEVATION A - A



PROJECT NAME	CLIENTS		CONSULTANTS	DRAWING TITLE	SCALE	DWG NO
FEASIBILITY STUDY ON THE 2ND KOHAT TUNNEL AND ACCESS ROADS PROJECT	 GOVERNMENT OF PAKISTAN MINISTRY OF COMMUNICATIONS NATIONAL HIGHWAY AUTHORITY	 JAPAN INTERNATIONAL COOPERATION AGENCY	NIPPON KOEI CO., LTD AND ALMEC CORPORATION	ELEVATIONS OF BRIDGE NO.5 R	1:100	BR5-2

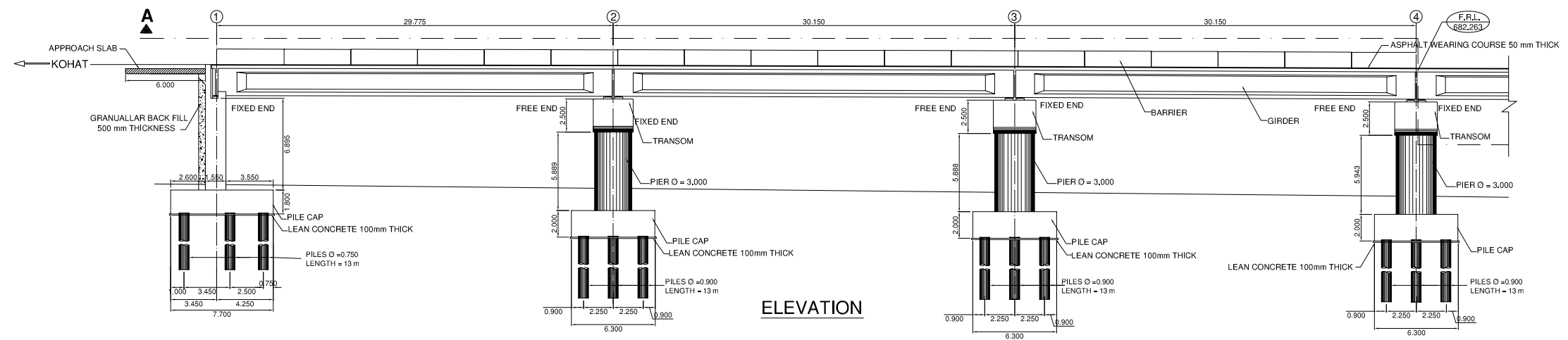
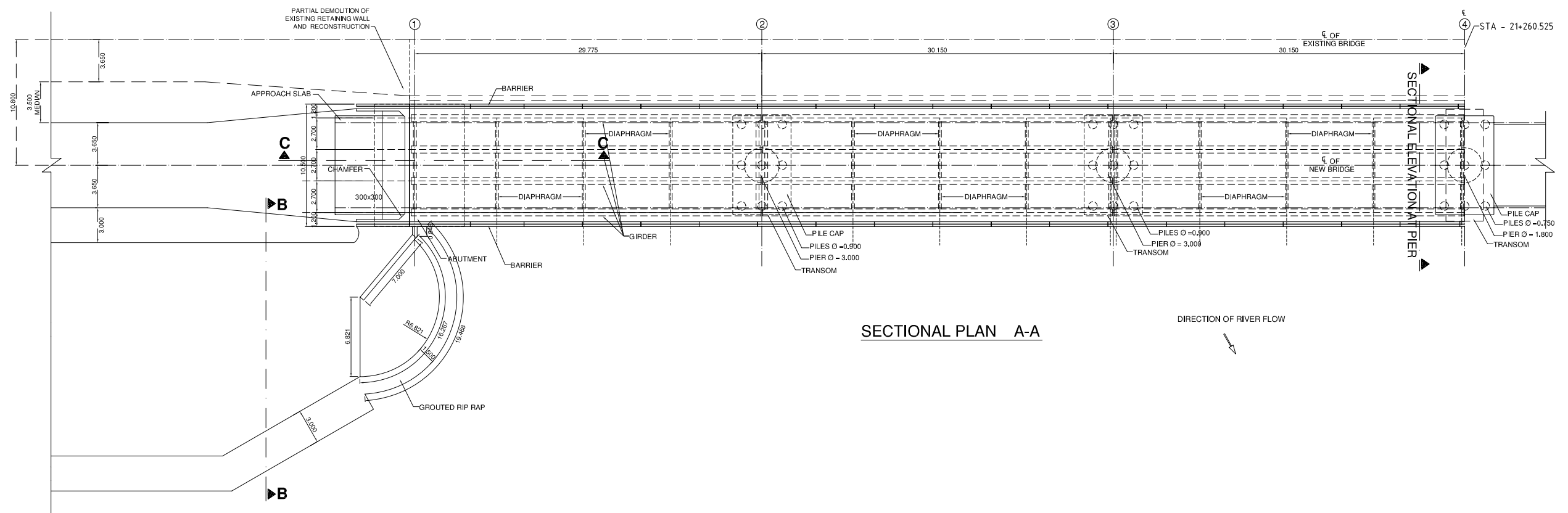


SECTION B - B



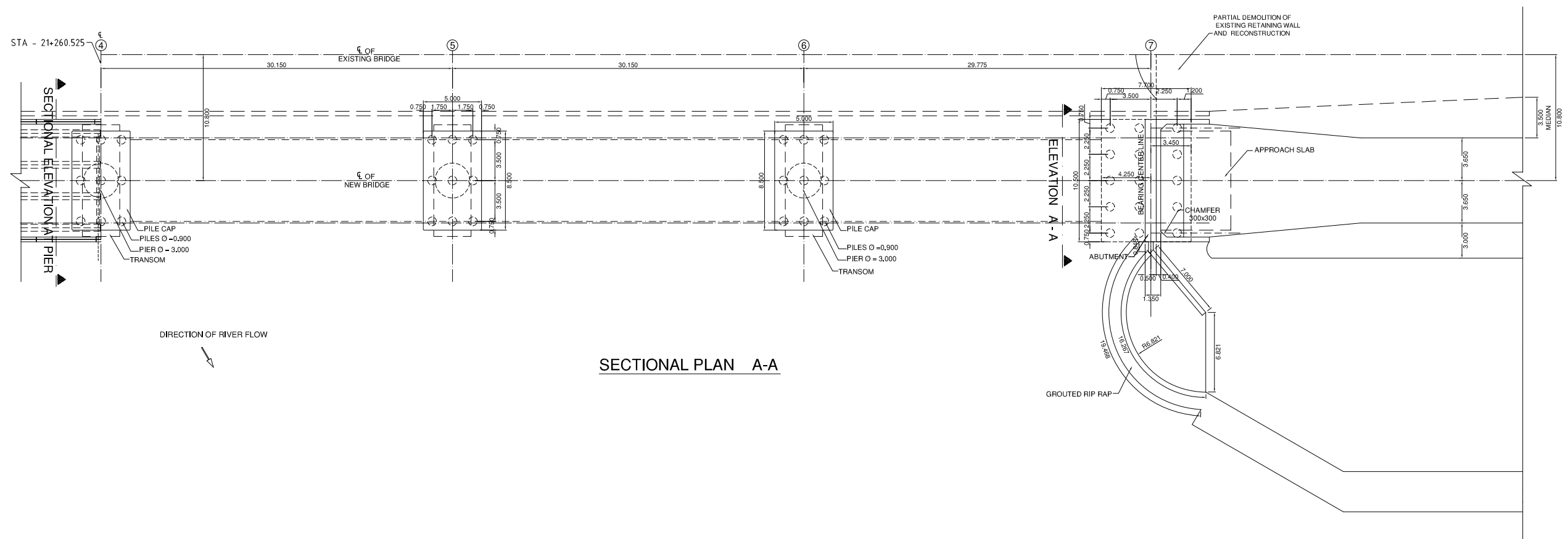
SECTION C - C

PROJECT NAME	CLIENTS		CONSULTANTS	DRAWING TITLE	SCALE	DWG NO
FEASIBILITY STUDY ON THE 2ND KOHAT TUNNEL AND ACCESS ROADS PROJECT	 GOVERNMENT OF PAKISTAN MINISTRY OF COMMUNICATIONS NATIONAL HIGHWAY AUTHORITY	 JAPAN INTERNATIONAL COOPERATION AGENCY	NIPPON KOEI CO., LTD AND ALMEC CORPORATION	SECTIONS OF BRIDGE NO.5 R	1:100	BR5-3

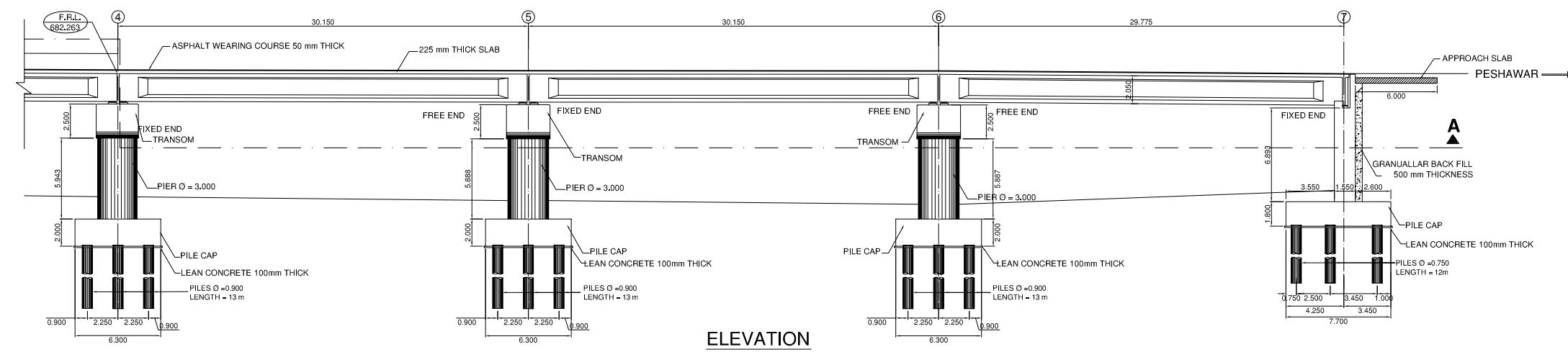


GENERAL ARRANGEMENT OF BRIDGE NO.6A R

PROJECT NAME	CLIENTS	CONSULTANTS	DRAWING TITLE	SCALE	DWG NO	
FEASIBILITY STUDY ON THE 2ND KOHAT TUNNEL AND ACCESS ROADS PROJECT	 GOVERNMENT OF PAKISTAN MINISTRY OF COMMUNICATIONS NATIONAL HIGHWAY AUTHORITY	 JAPAN INTERNATIONAL COOPERATION AGENCY	NIPPON KOEI CO., LTD AND ALMEC CORPORATION	GENERAL ARRANGEMENT OF BRIDGE NO.6A R (1)	1:400	BR6A-1a



SECTIONAL PLAN A-A



ELEVATION

GENERAL ARRANGEMENT OF BRIDGE NO.6A R

PROJECT NAME	CLIENTS		CONSULTANTS	DRAWING TITLE	SCALE	DWG NO
FEASIBILITY STUDY ON THE 2ND KOHAT TUNNEL AND ACCESS ROADS PROJECT	 GOVERNMENT OF PAKISTAN MINISTRY OF COMMUNICATIONS NATIONAL HIGHWAY AUTHORITY	 JAPAN INTERNATIONAL COOPERATION AGENCY	NIPPON KOEI CO., LTD AND ALMEC CORPORATION	GENERAL ARRANGEMENT OF BRIDGE NO.6A R (2)	1:400	BR6A-1b