
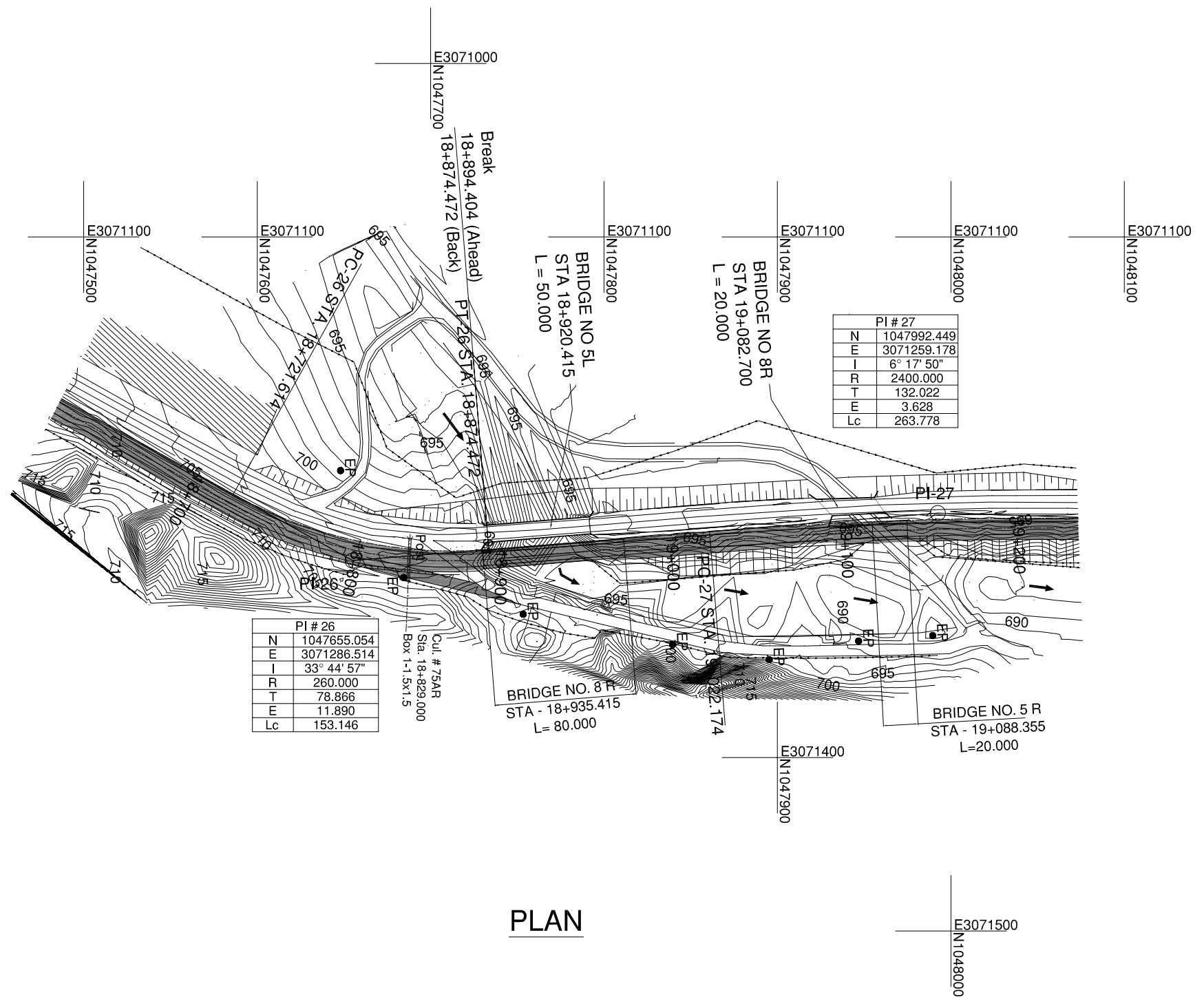


<b>LEGEND:-</b>	
	CONSTRUCTION UNDER THE 2nd KOHAT TUNNEL & ACCESS ROADS PROJECT.




<b>PI # 27</b>	
N	1047992.449
E	3071259.178
I	6° 17' 50"
R	2400.000
T	132.022
E	3.628
Lc	263.778

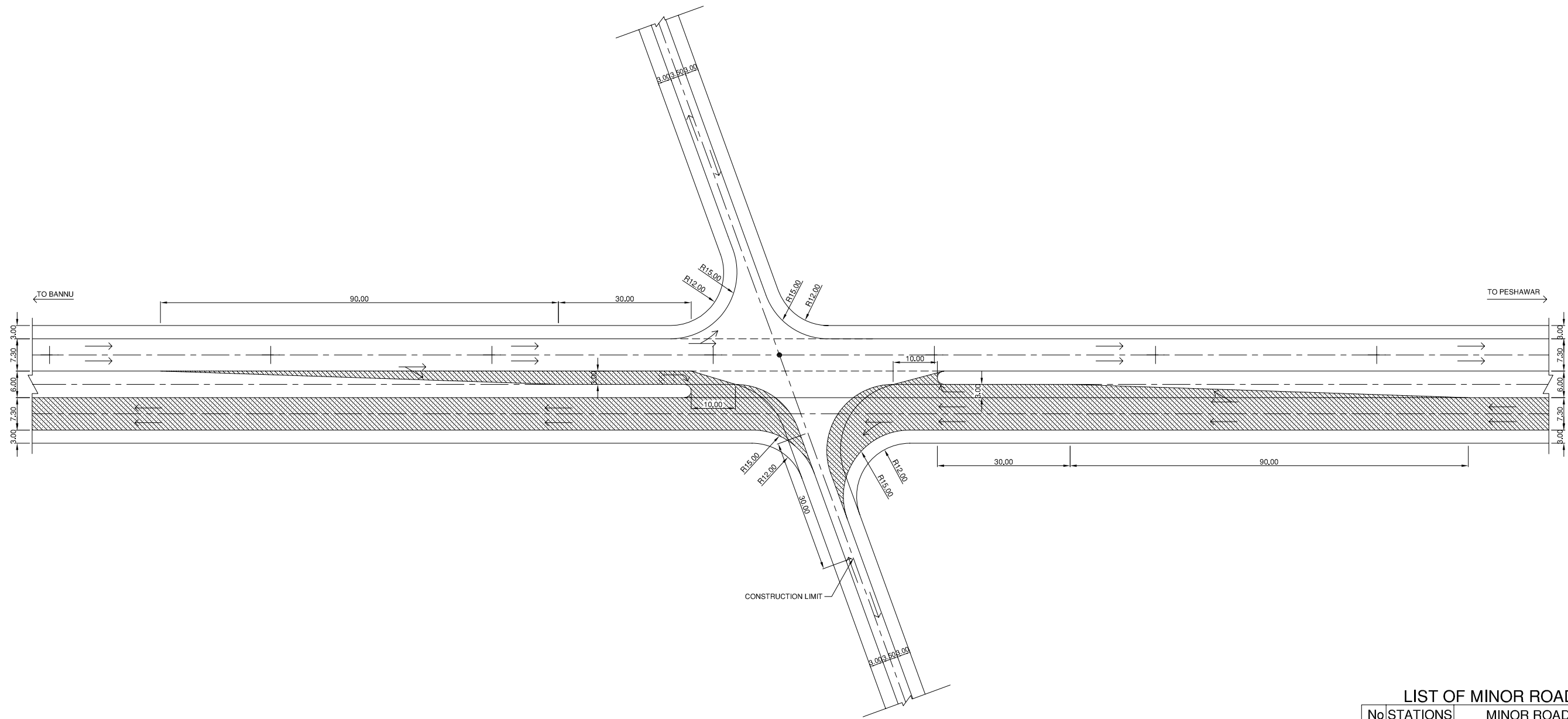
<b>PI # 26</b>	
N	1047655.054
E	3071286.514
I	33° 44' 57"
R	260.000
T	78.866
E	11.890
Lc	153.146

**PLAN**

PROJECT NAME	CLIENTS		CONSULTANTS	DRAWING TITLE	SCALE	DWG NO
FEASIBILITY STUDY ON THE 2ND KOHAT TUNNEL AND ACCESS ROADS PROJECT	 GOVERNMENT OF PAKISTAN MINISTRY OF COMMUNICATIONS NATIONAL HIGHWAY AUTHORITY	 JAPAN INTERNATIONAL COOPERATION AGENCY	NIPPON KOEI CO., LTD AND ALMEC CORPORATION	INTERSECTION DETAILS SANDA BASTA IC	1:3,000	IC-5

**LEGEND:-**

	PAVEMENT CONSTRUCTION UNDER THE 2nd KOHAT TUNNEL & ACCESS ROADS PROJECT.
R 15.00	SUBJECT TO CHANGE DEPEND ON MINOR ROADS STANDARDS



PLAN

**PAVEMENT STURCTURE**

AC WEARING	AC BASE	AGGREGATE BASE	GRANULAR SUB BASE
5 cm	5 cm	15 cm	10 cm

**LIST OF MINOR ROADS**

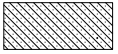
No	STATIONS	MINOR ROADS
1	1+300	-----
2	2+200	JARMA
3	2+900	SHAHEEDA / TAPPI BAZAR
4	3+500	-----
5	3+900	DHODA SHARIF
6	4+810	DHODA SHARIF
7	4+900	-----
8	5+400	KHARMATO

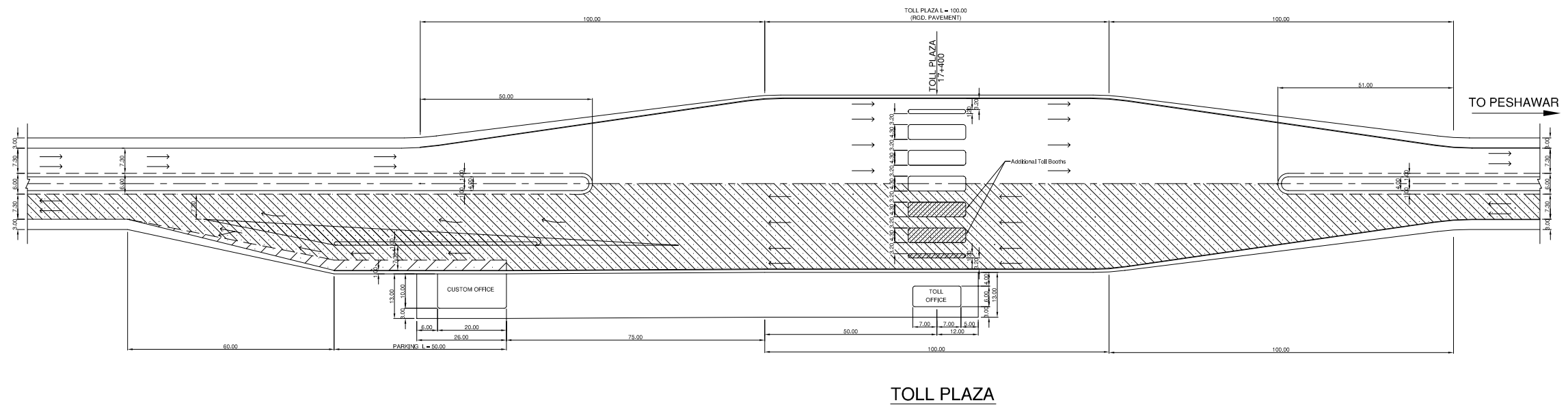
NOTE: APPROX. STATIONS ONLY

<b>PROJECT NAME</b>	<b>CLIENTS</b>		<b>CONSULTANTS</b>	<b>DRAWING TITLE</b>	<b>SCALE</b>	<b>DWG NO</b>
FEASIBILITY STUDY ON THE 2ND KOHAT TUNNEL AND ACCESS ROADS PROJECT	 GOVERNMENT OF PAKISTAN MINISTRY OF COMMUNICATIONS NATIONAL HIGHWAY AUTHORITY	 JAPAN INTERNATIONAL COOPERATION AGENCY	NIPPON KOEI CO., LTD AND ALMEC CORPORATION	MINOR ROAD INTERSECTION DETAILS	1:1,000	IC-6

## **MISCELLANEOUS DETAILS**

**LEGEND:-**

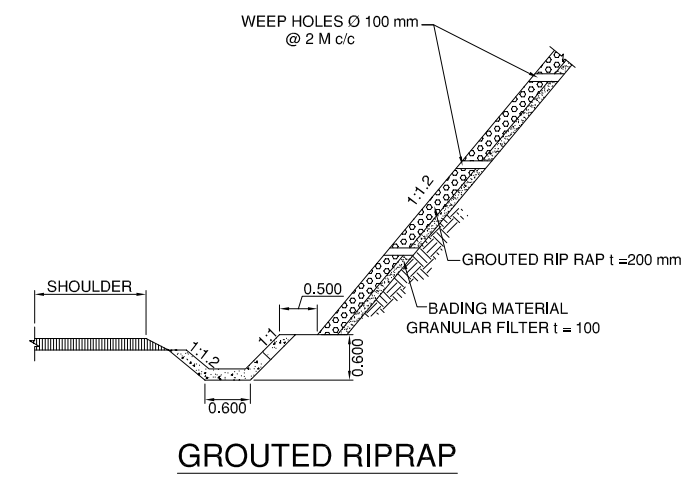
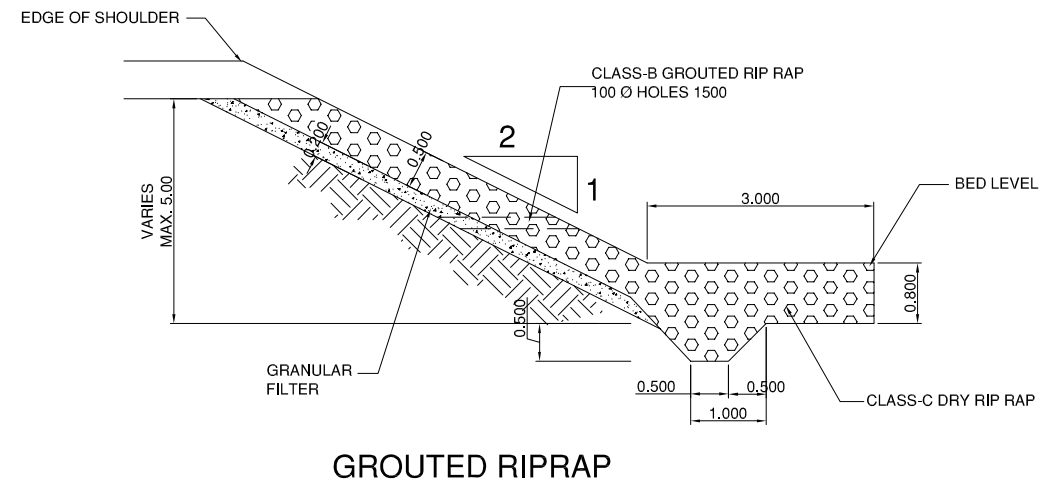
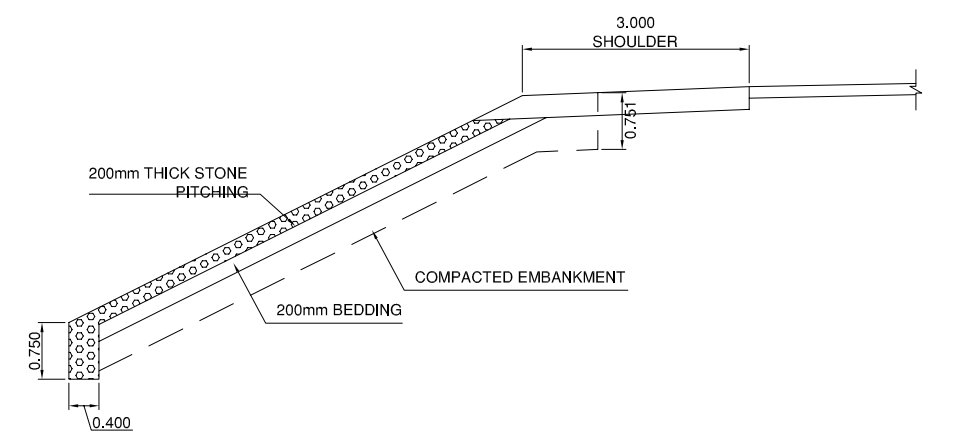
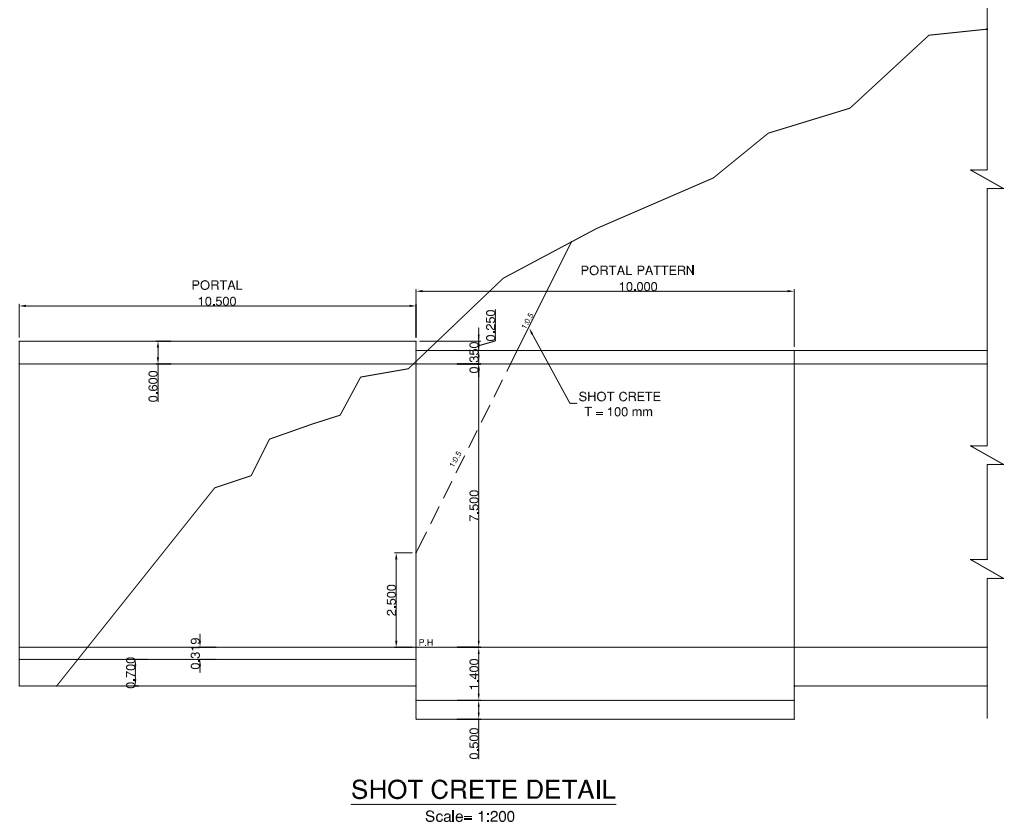
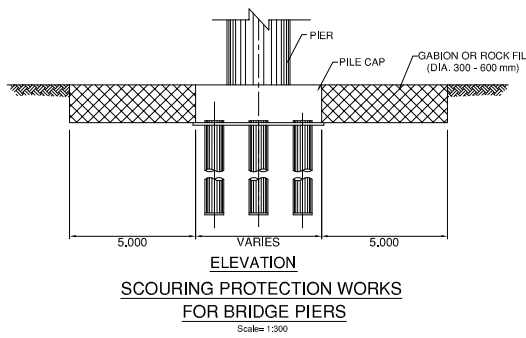
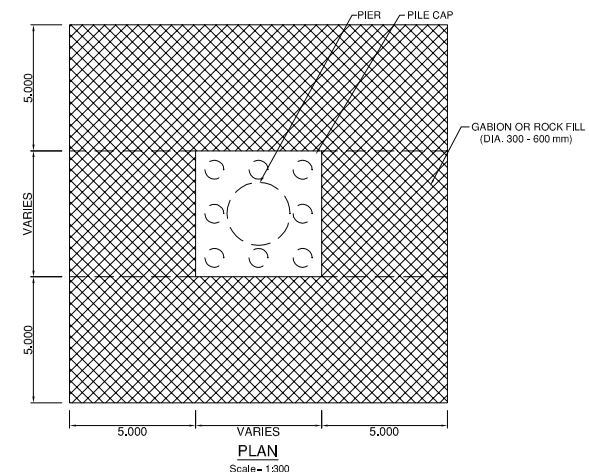
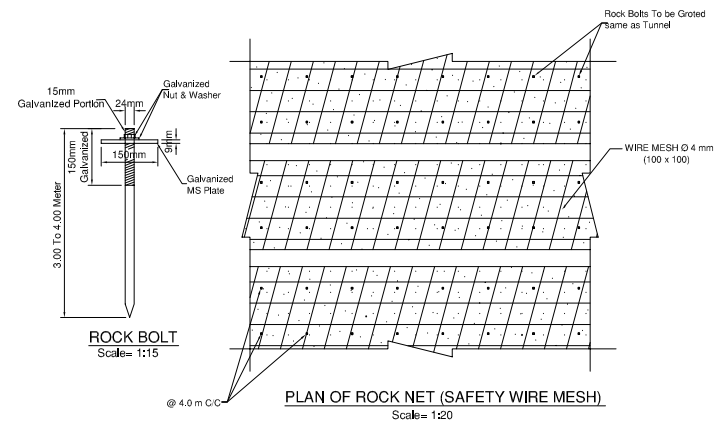
 PAVEMENT CONSTRUCTION UNDER THE 2nd KOHAT TUNNEL & ACCESS ROAD PROJECT.



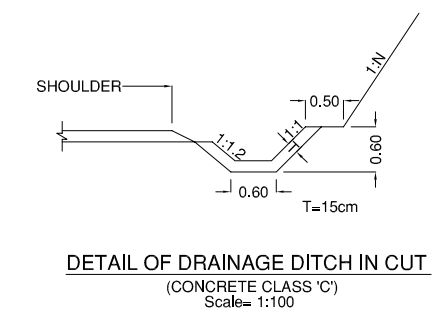
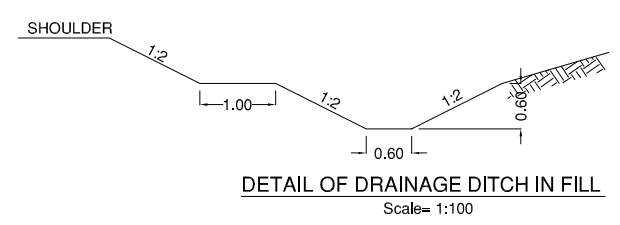
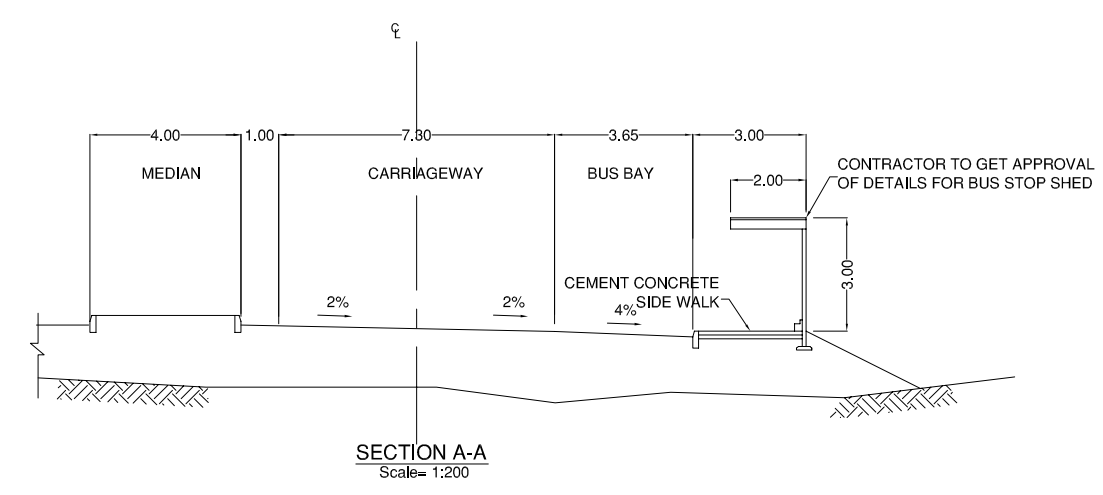
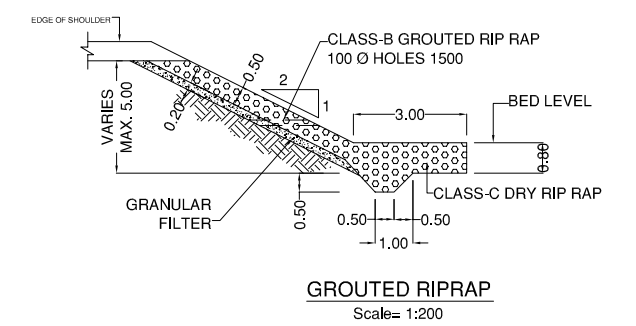
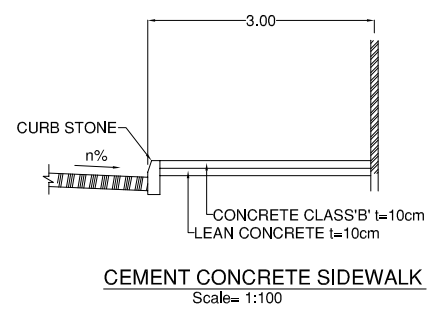
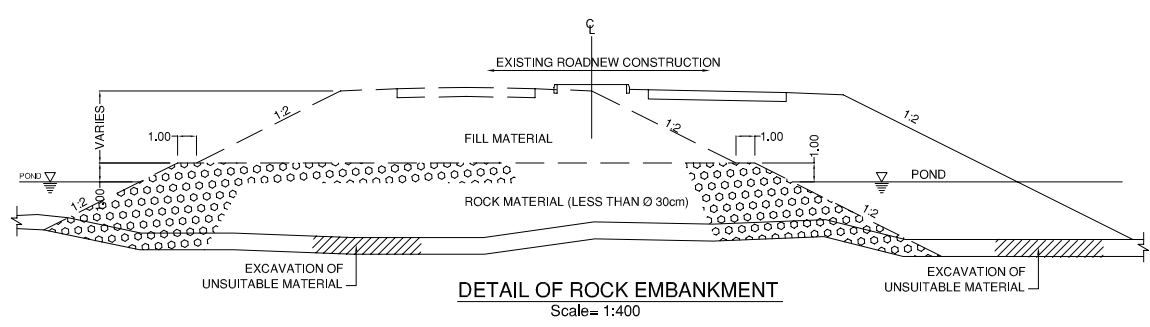
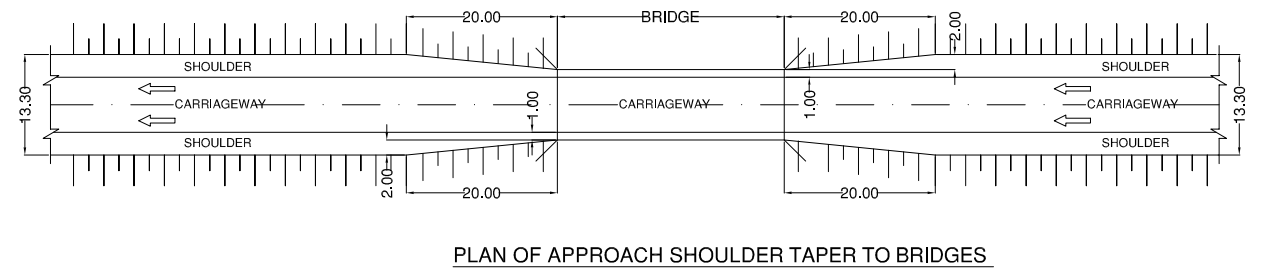
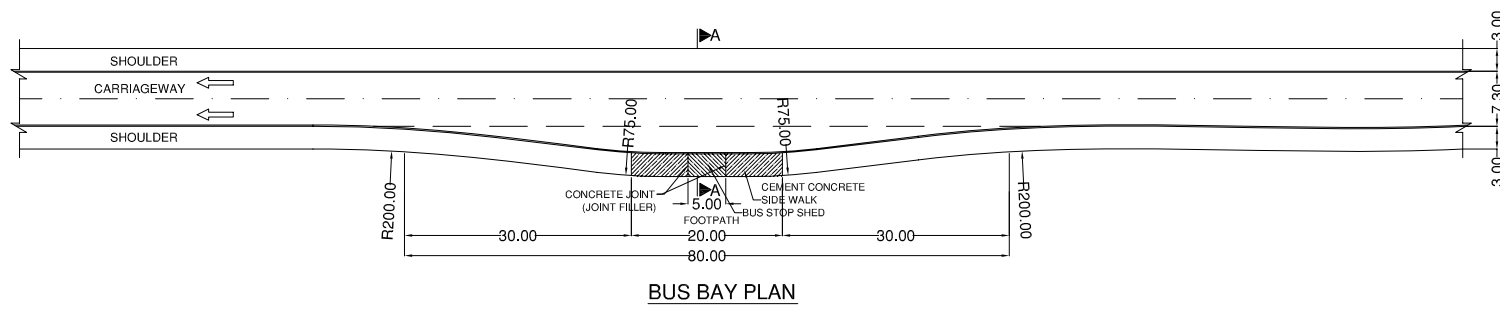
**Notes:**


1. Two Nos of Additional Toll Booth will be constructed.
2. The Existing Toll Office and Custom Office buildings will be moved to the east side.

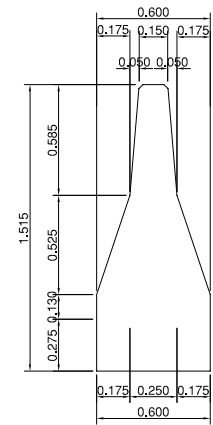
PROJECT NAME	CLIENTS		CONSULTANTS	DRAWING TITLE	SCALE	DWG NO
FEASIBILITY STUDY ON THE 2ND KOHAT TUNNEL AND ACCESS ROADS PROJECT	 GOVERNMENT OF PAKISTAN MINISTRY OF COMMUNICATIONS NATIONAL HIGHWAY AUTHORITY	 JAPAN INTERNATIONAL COOPERATION AGENCY	NIPPON KOEI CO., LTD AND ALMEC CORPORATION	TOLL PLAZA EXTENSION	1:1,500	M-1



PROJECT NAME	CLIENTS	CONSULTANTS	DRAWING TITLE	SCALE	DWG NO
FEASIBILITY STUDY ON THE 2ND KOHAT TUNNEL AND ACCESS ROADS PROJECT	 GOVERNMENT OF PAKISTAN MINISTRY OF COMMUNICATIONS NATIONAL HIGHWAY AUTHORITY	 JAPAN INTERNATIONAL COOPERATION AGENCY	NIPPON KOEI CO., LTD AND ALMEC CORPORATION	SLOPE AND SCOURING PROTECTION WORKS	1:100 M-2

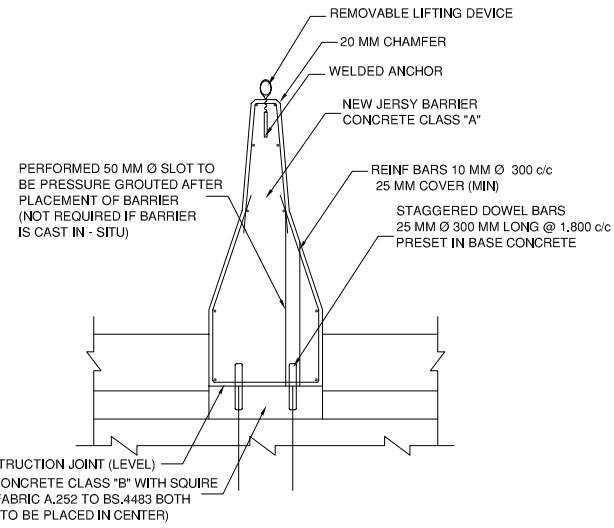


PROJECT NAME	CLIENTS	CONSULTANTS	DRAWING TITLE	SCALE	DWG NO
FEASIBILITY STUDY ON THE 2ND KOHAT TUNNEL AND ACCESS ROADS PROJECT	 GOVERNMENT OF PAKISTAN MINISTRY OF COMMUNICATIONS NATIONAL HIGHWAY AUTHORITY	 JAPAN INTERNATIONAL COOPERATION AGENCY	NIPPON KOEI CO., LTD AND ALMEC CORPORATION	MISCELLANEOUS DETAILS (1)	1:1,000 M-3

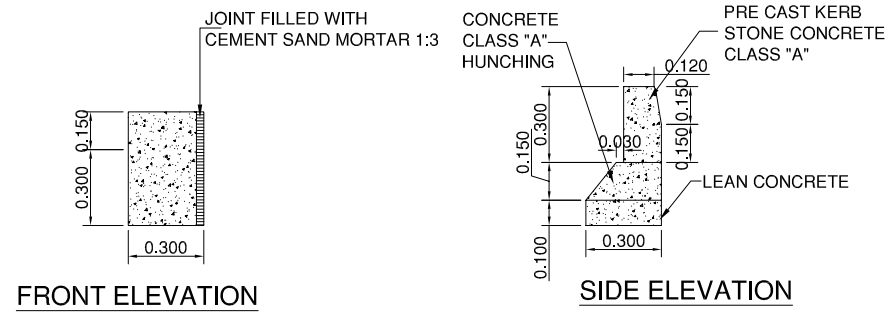


**NEW JERSEY BARRIER**

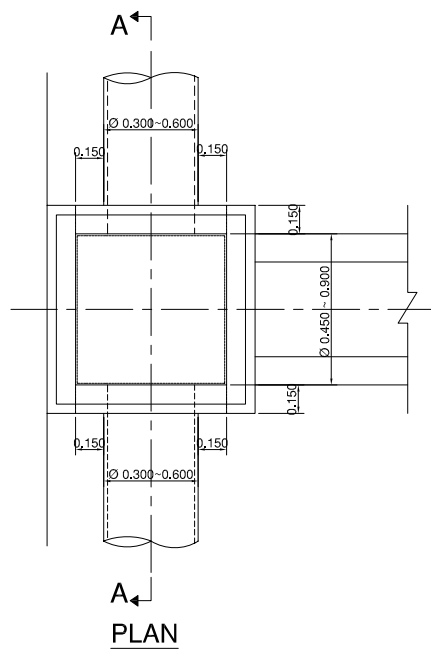
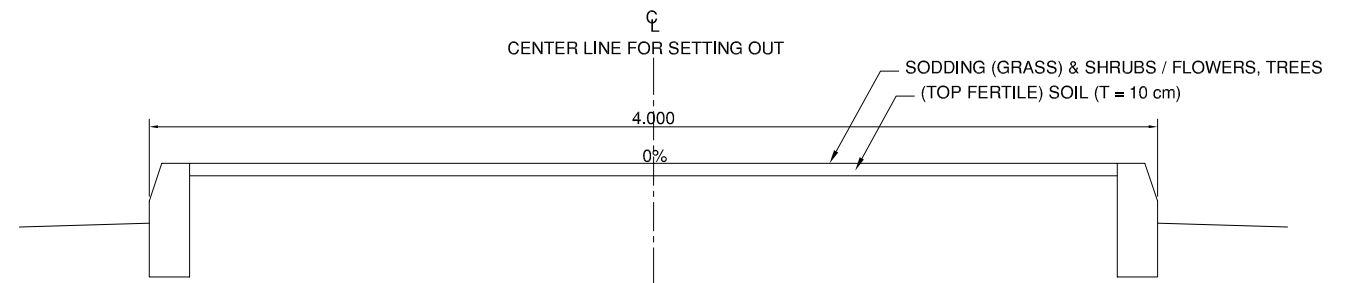
NOTE : INSTALLATION FOR THE CURVE SECTIONS WHERE R < 300m



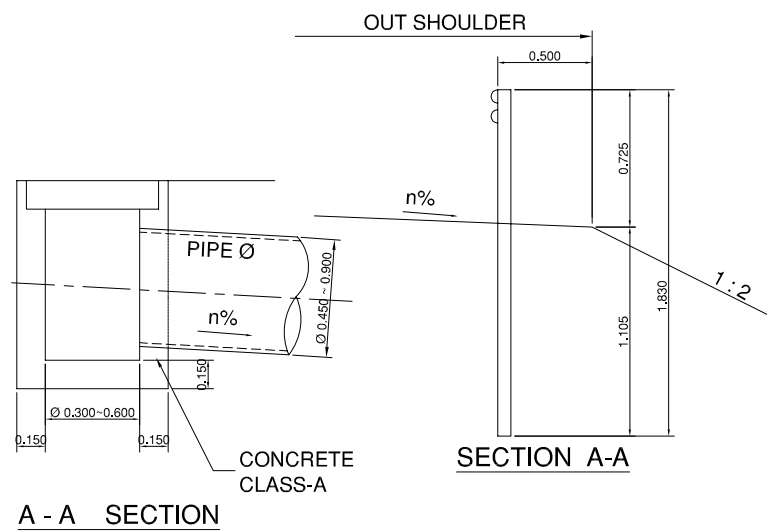
**NEW JERSEY BARRIER (REINFORCED DETAIL)**  
SCALE - 1:40



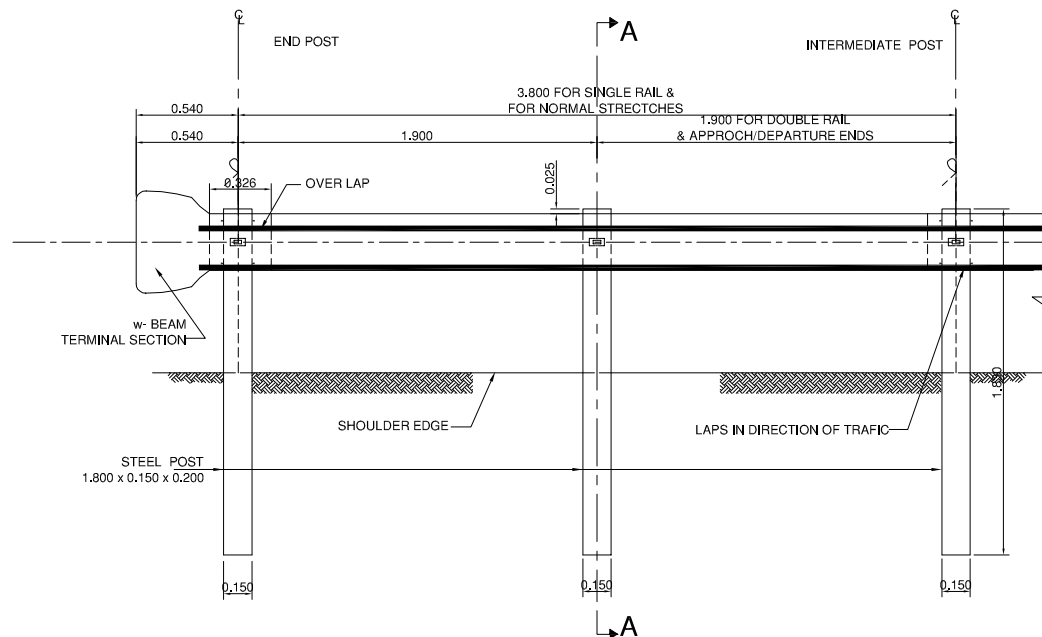
**DETAIL P.C.C KERB STONE**  
SCALE - 1:30



**DRAINAGE FOR MEDIAN**  
SCALE - 1:40




**GUARD RAIL**  
SCALE - 1:40



**TYPE OF OTHER MISCELLANEOUS ROAD FACILITIES**

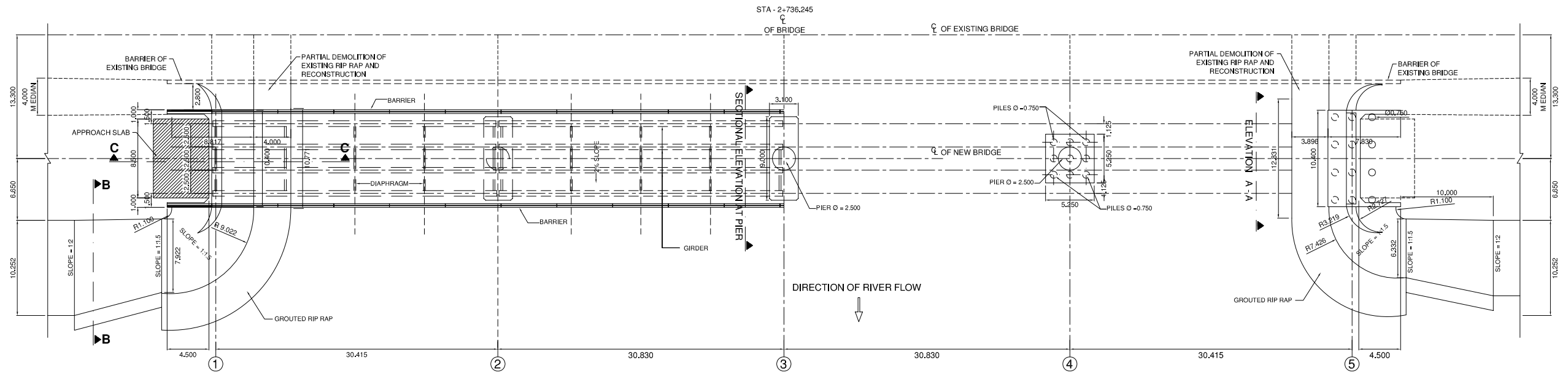
1. TRAFFIC SIGN
2. PAVEMENT MARKING (HOT-APPLIED REFLECTIVE THERMOPLASTIC ROAD PAINTS)
3. TRAFFIC GUIDE POSTS
4. DELINEATOR
5. KM POST
6. 10-KM POST
7. ROAD FENCE
8. ROW MARKER

NOTE :- GENERAL SPECIFICATION OF NHA, DECEMBER 1998 SHALL BE APPLIED

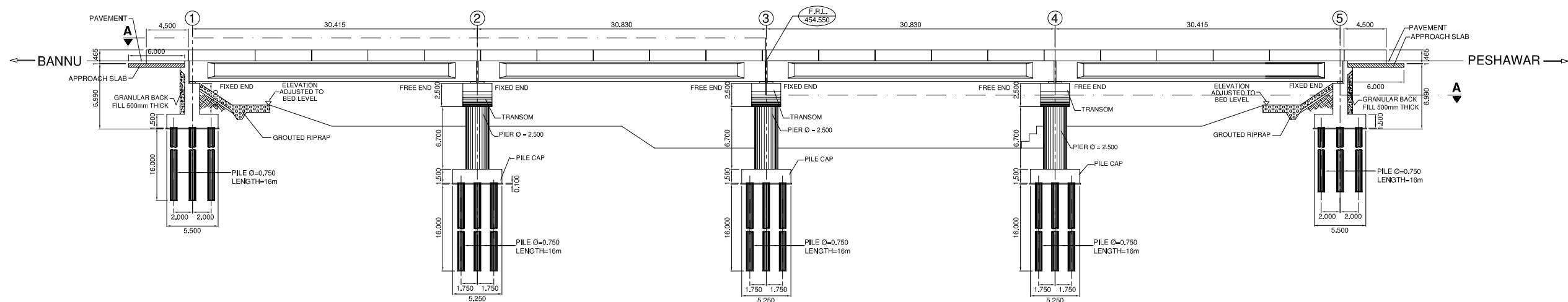
PROJECT NAME	CLIENTS		CONSULTANTS	DRAWING TITLE	SCALE	DWG NO
FEASIBILITY STUDY ON THE 2ND KOHAT TUNNEL AND ACCESS ROADS PROJECT	 GOVERNMENT OF PAKISTAN MINISTRY OF COMMUNICATIONS NATIONAL HIGHWAY AUTHORITY	 JAPAN INTERNATIONAL COOPERATION AGENCY	NIPPON KOEI CO., LTD AND ALMEC CORPORATION	MISCELLANEOUS DETAILS (2)	AS SHOWN	M-4

# **STRUCTURES**





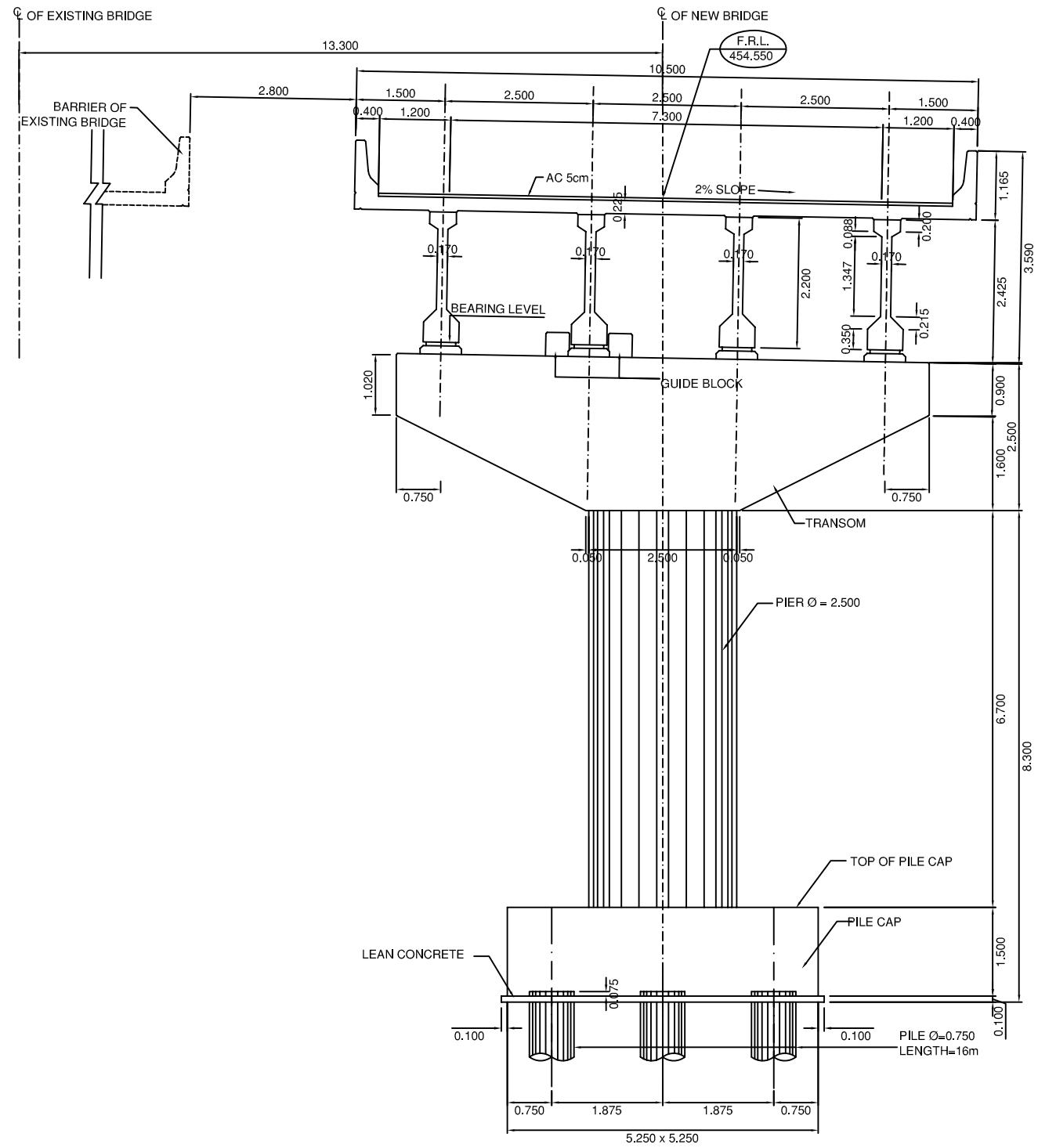
SECTIONAL PLAN A-A



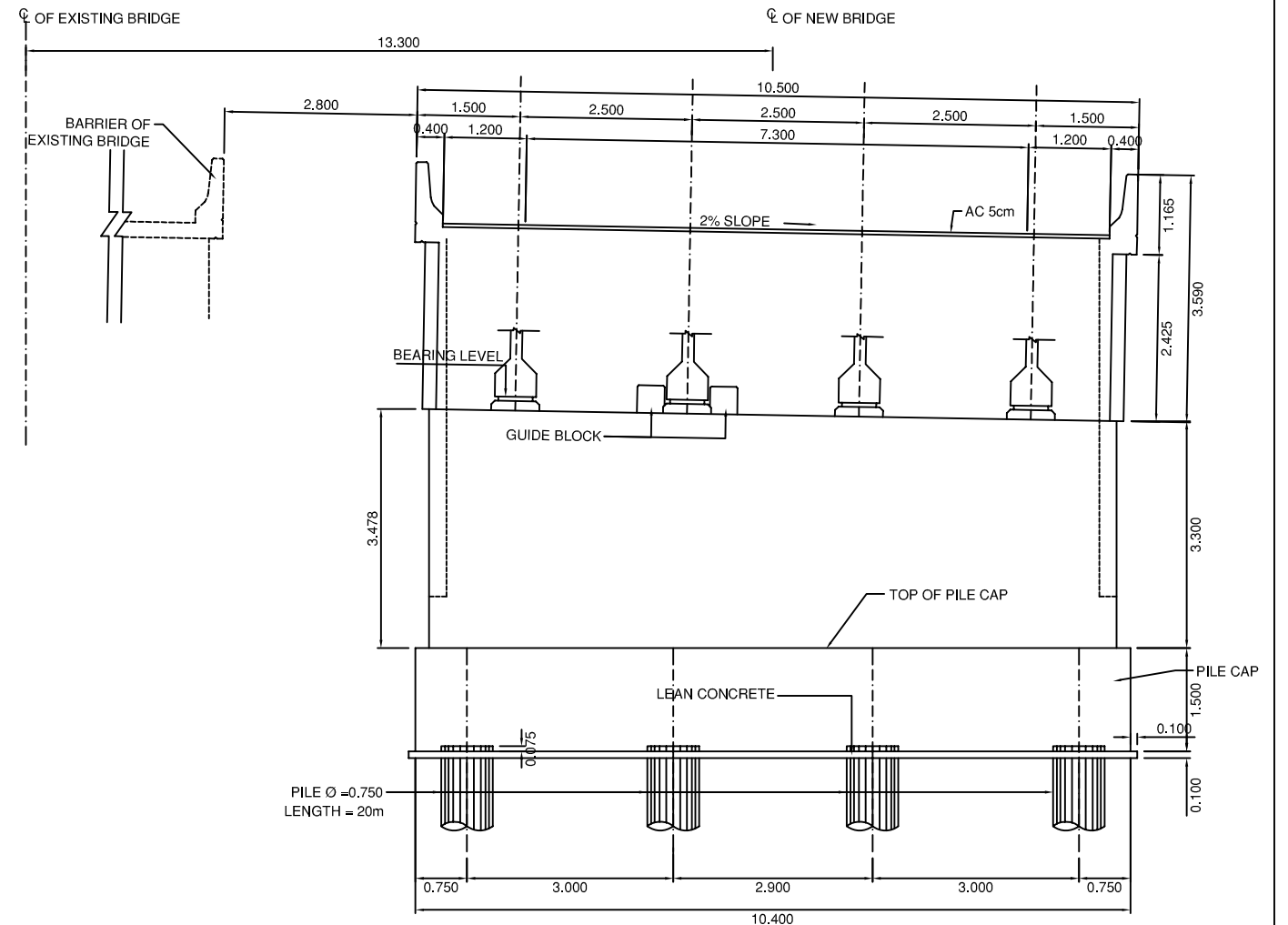
ELEVATION

GENERAL ARRANGEMENT OF BRIDGE NO.1 R

PROJECT NAME	CLIENTS		CONSULTANTS	DRAWING TITLE	SCALE	DWG NO
FEASIBILITY STUDY ON THE 2ND KOHAT TUNNEL AND ACCESS ROADS PROJECT	 GOVERNMENT OF PAKISTAN MINISTRY OF COMMUNICATIONS NATIONAL HIGHWAY AUTHORITY	 JAPAN INTERNATIONAL COOPERATION AGENCY	NIPPON KOEI CO., LTD AND ALMEC CORPORATION	GENERAL ARRANGEMENT OF BRIDGE NO.1 R	1:500	BR1-1

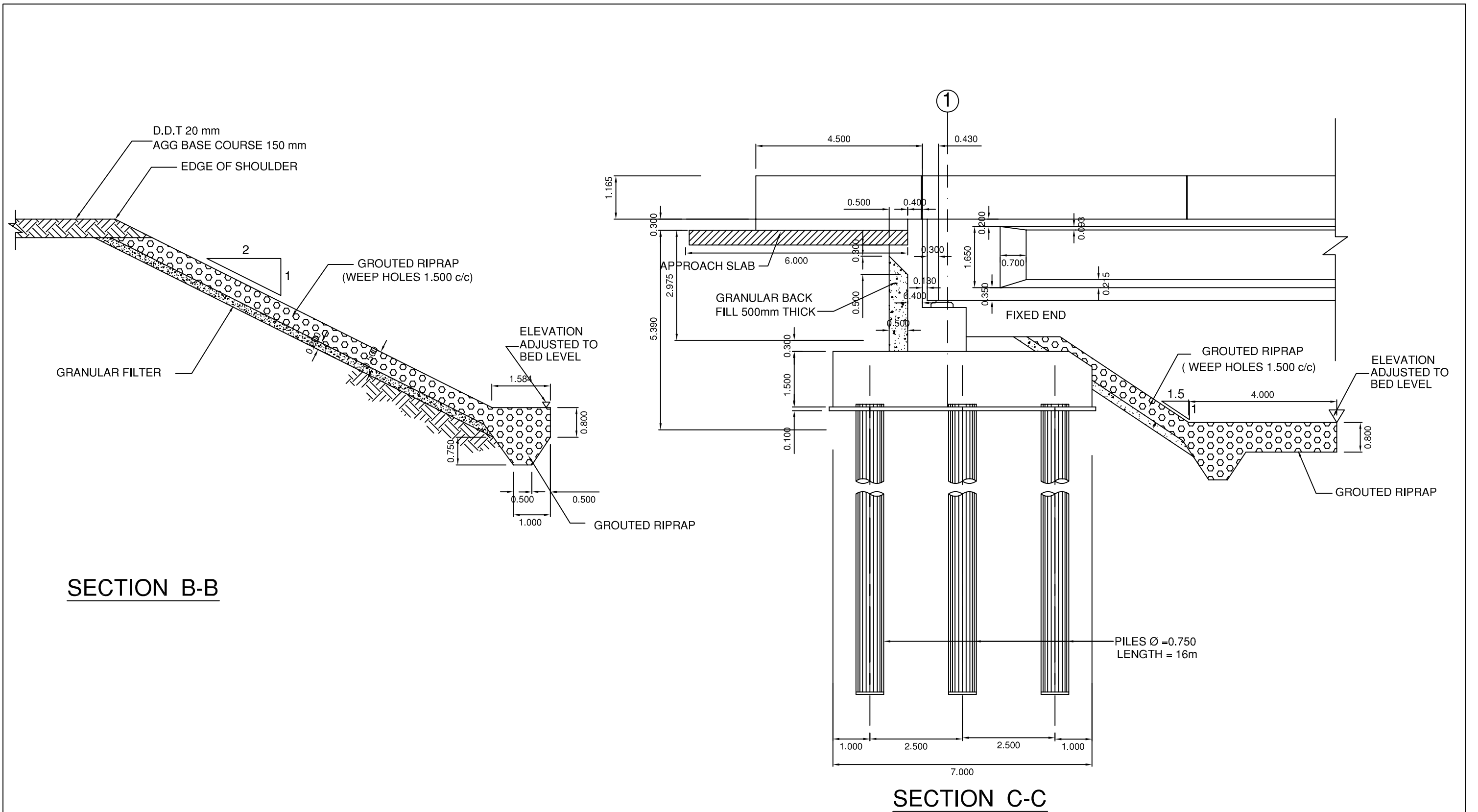




SECTIONAL ELEVATION AT PIER

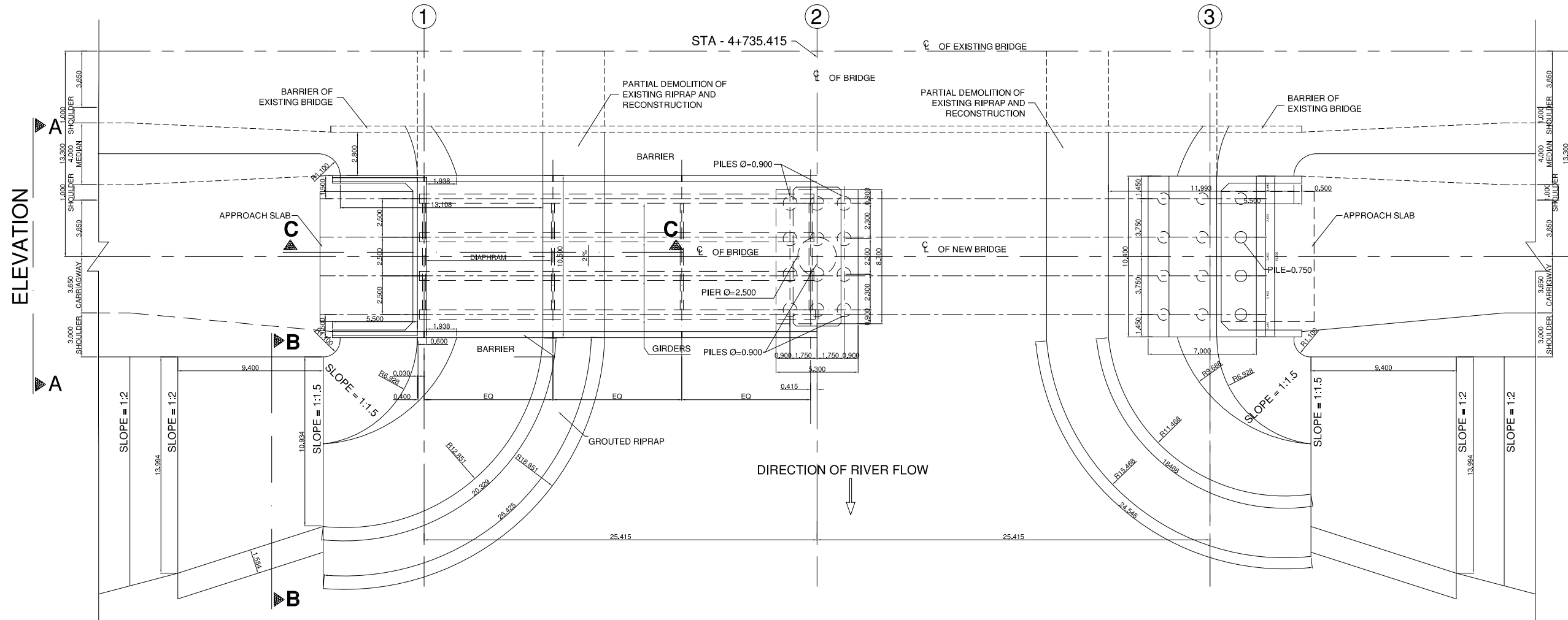


ELEVATION A - A

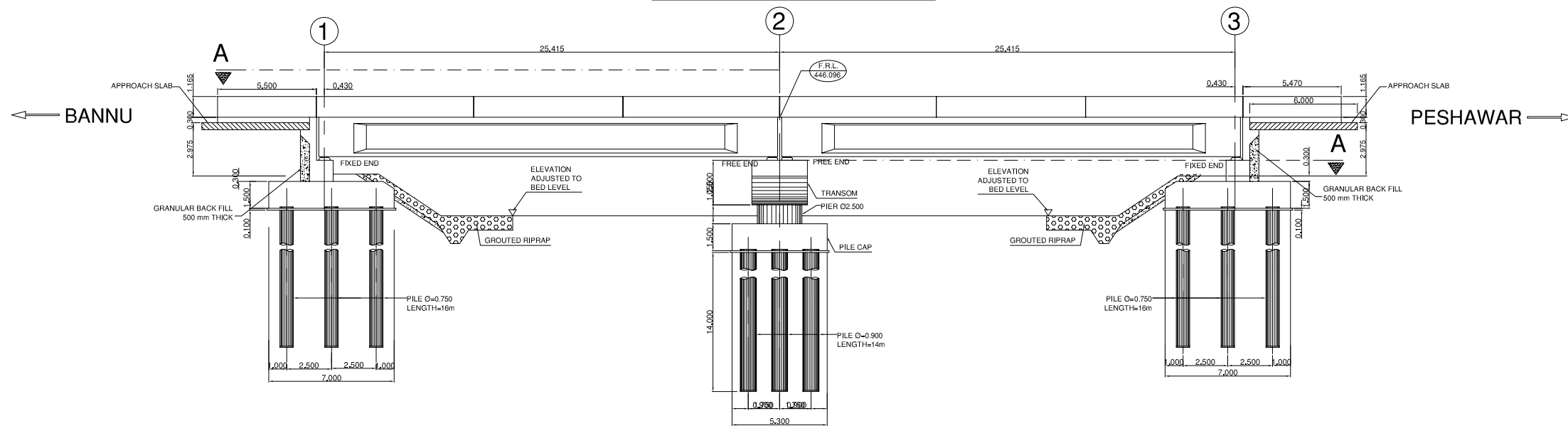
PROJECT NAME	CLIENTS		CONSULTANTS	DRAWING TITLE	SCALE	DWG NO
FEASIBILITY STUDY ON THE 2ND KOHAT TUNNEL AND ACCESS ROADS PROJECT	 GOVERNMENT OF PAKISTAN MINISTRY OF COMMUNICATIONS NATIONAL HIGHWAY AUTHORITY	 JAPAN INTERNATIONAL COOPERATION AGENCY	NIPPON KOEI CO., LTD AND ALMEC CORPORATION	ELEVATIONS OF BRIDGE NO.1 R	1:100	BR1-2



PROJECT NAME	CLIENTS		CONSULTANTS	DRAWING TITLE	SCALE	DWG NO
FEASIBILITY STUDY ON THE 2ND KOHAT TUNNEL AND ACCESS ROADS PROJECT	 GOVERNMENT OF PAKISTAN MINISTRY OF COMMUNICATIONS NATIONAL HIGHWAY AUTHORITY	 JAPAN INTERNATIONAL COOPERATION AGENCY	NIPPON KOEI CO., LTD AND ALMEC CORPORATION	DETAILED SECTIONS BRIDGE NO.1 R	1:100	BR1-3



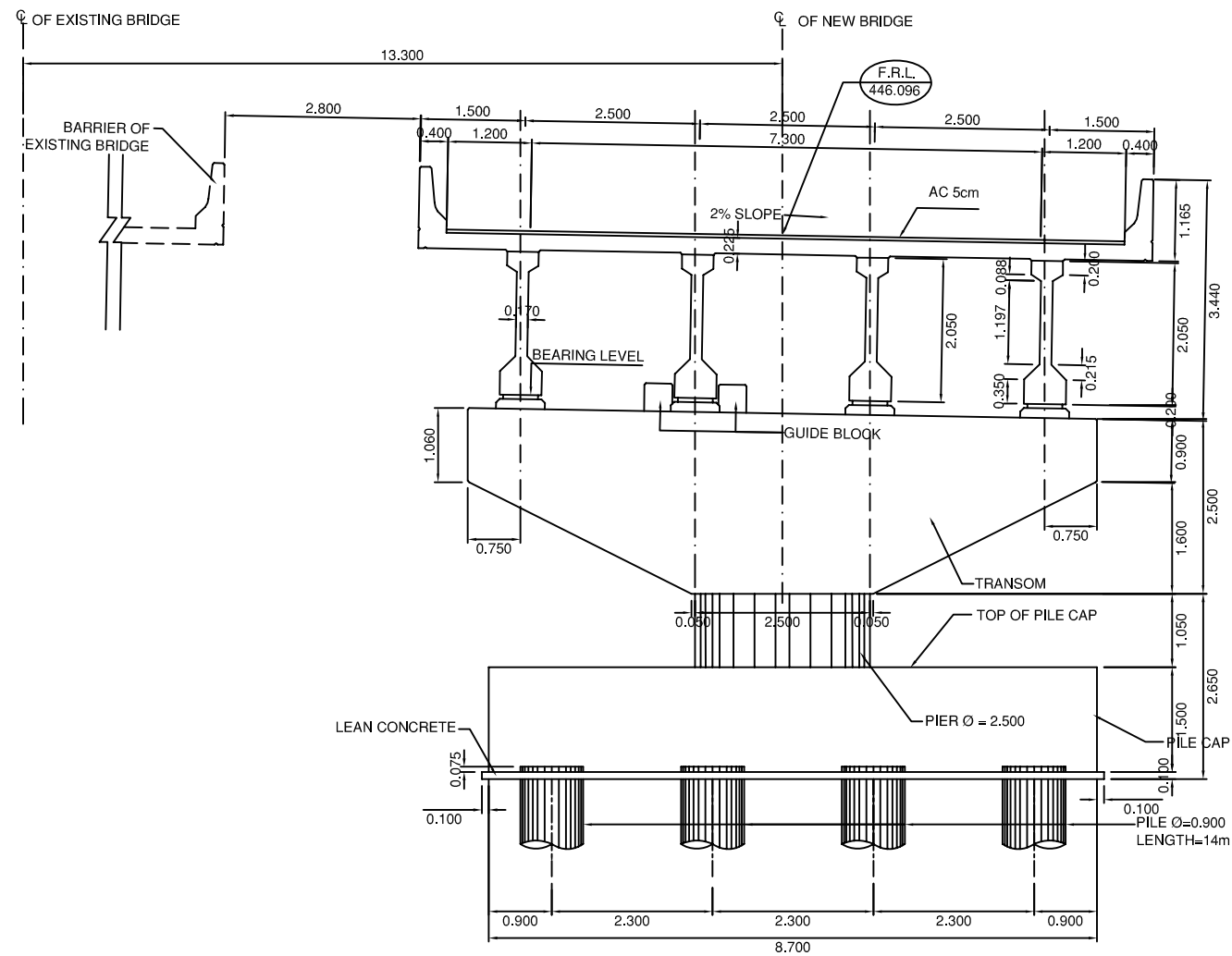
SECTIONAL PLAN AT A-A



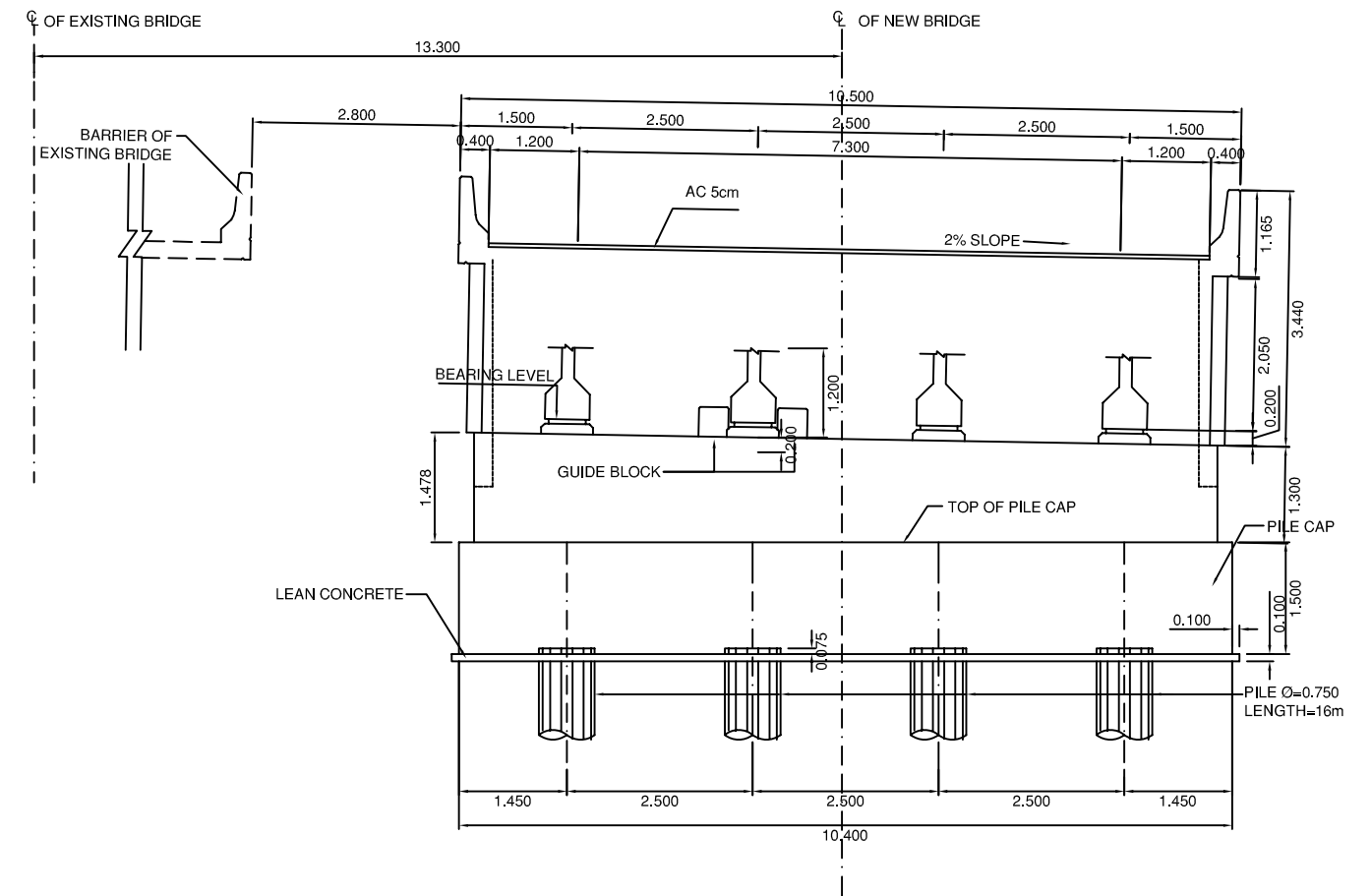
ELEVATION

GENERAL ARRANGEMENT OF BRIDGE NO.02 R

PROJECT NAME	CLIENTS		CONSULTANTS	DRAWING TITLE	SCALE	DWG NO
FEASIBILITY STUDY ON THE 2ND KOHAT TUNNEL AND ACCESS ROADS PROJECT	 GOVERNMENT OF PAKISTAN MINISTRY OF COMMUNICATIONS NATIONAL HIGHWAY AUTHORITY	 JAPAN INTERNATIONAL COOPERATION AGENCY	NIPPON KOEI CO., LTD AND ALMEC CORPORATION	GENERAL ARRANGEMENT OF BRIDGE NO.2 R	1:300	BR2-1



SECTIONAL ELEVATION AT PIER



ELEVATION A - A

PROJECT NAME	CLIENTS		CONSULTANTS	DRAWING TITLE	SCALE	DWG NO
FEASIBILITY STUDY ON THE 2ND KOHAT TUNNEL AND ACCESS ROADS PROJECT	 GOVERNMENT OF PAKISTAN MINISTRY OF COMMUNICATIONS NATIONAL HIGHWAY AUTHORITY	 JAPAN INTERNATIONAL COOPERATION AGENCY	NIPPON KOEI CO., LTD AND ALMEC CORPORATION	ELEVATIONS BRIDGE NO.2 R	1:100	BR2-2