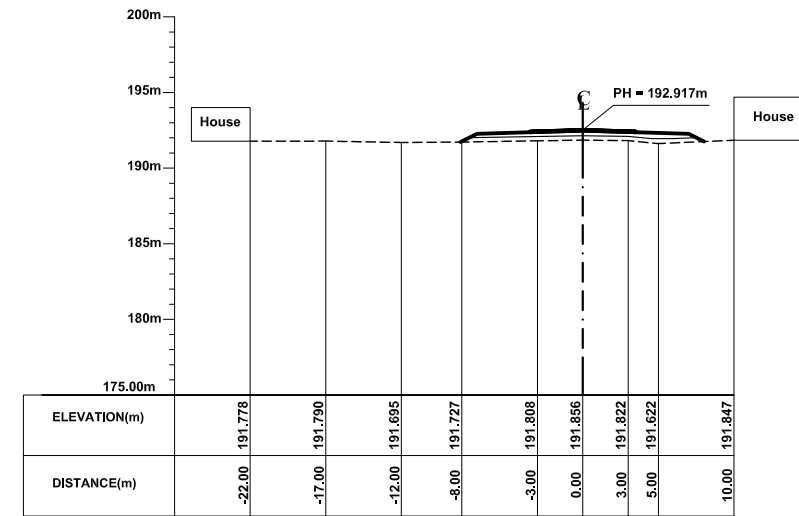
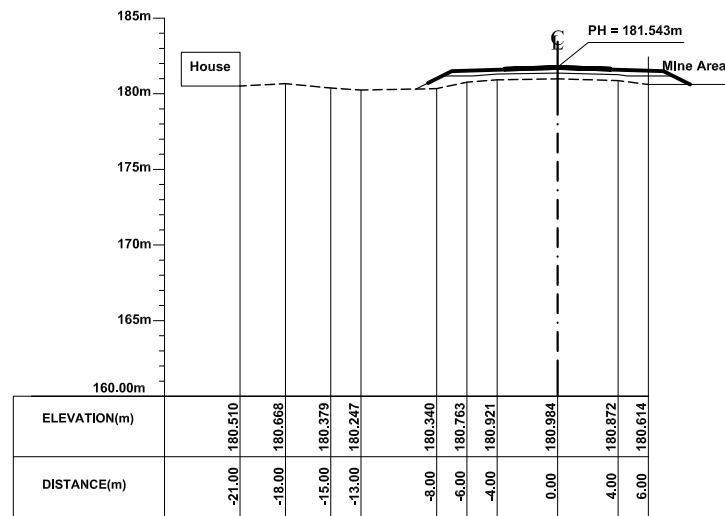


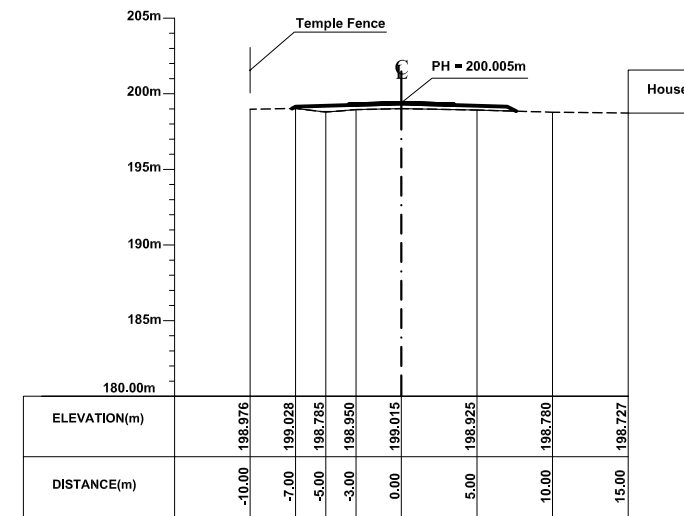
STA 77+188



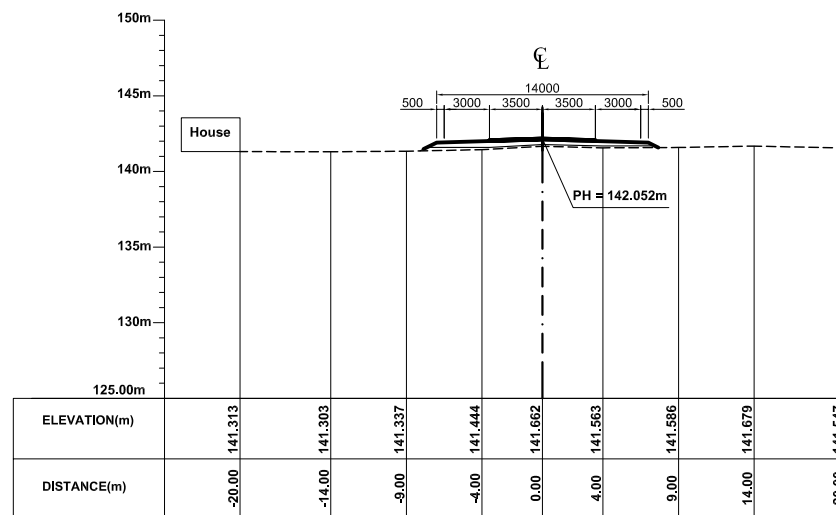
STA 84+109



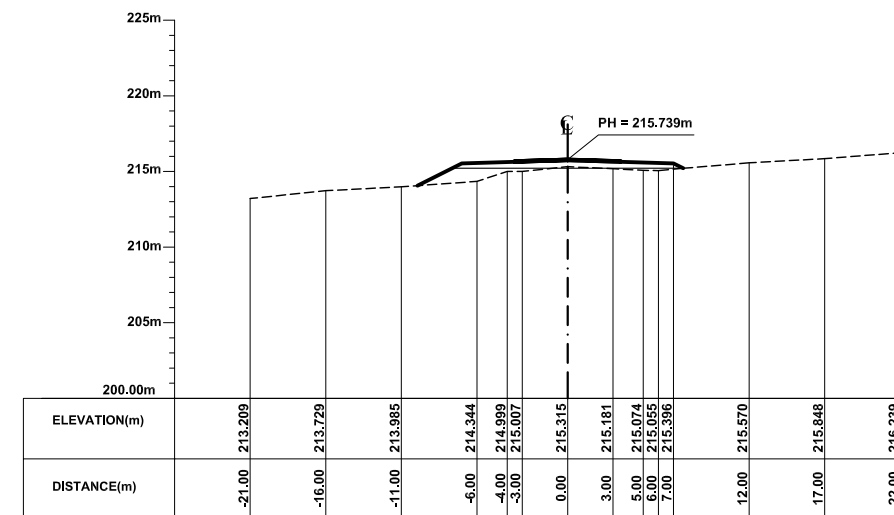
STA 73+695



STA 83+896

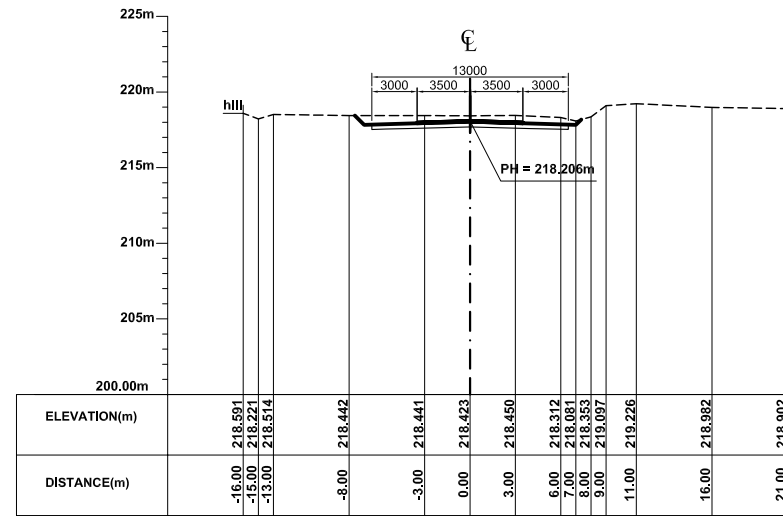


STA 70+200

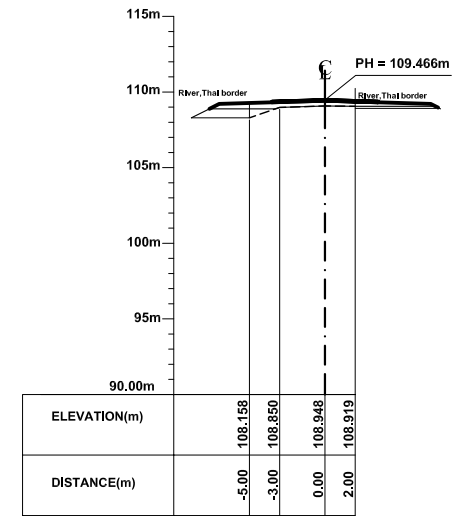


STA 80+674

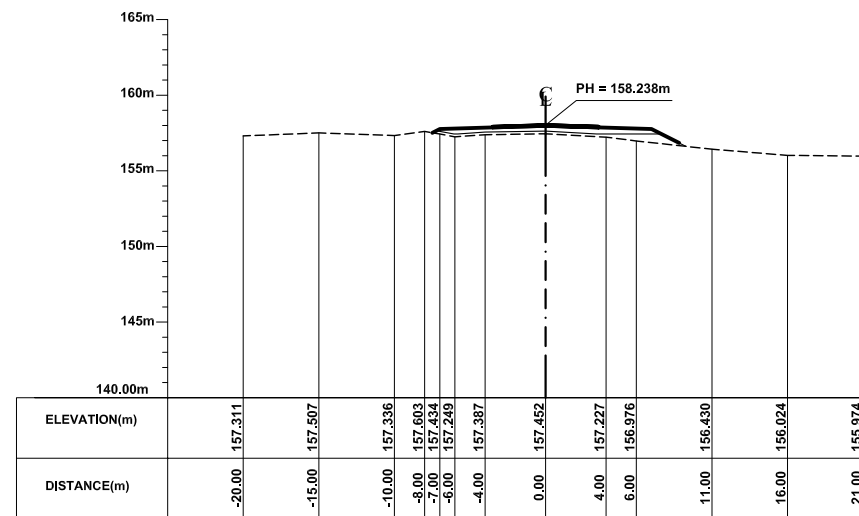




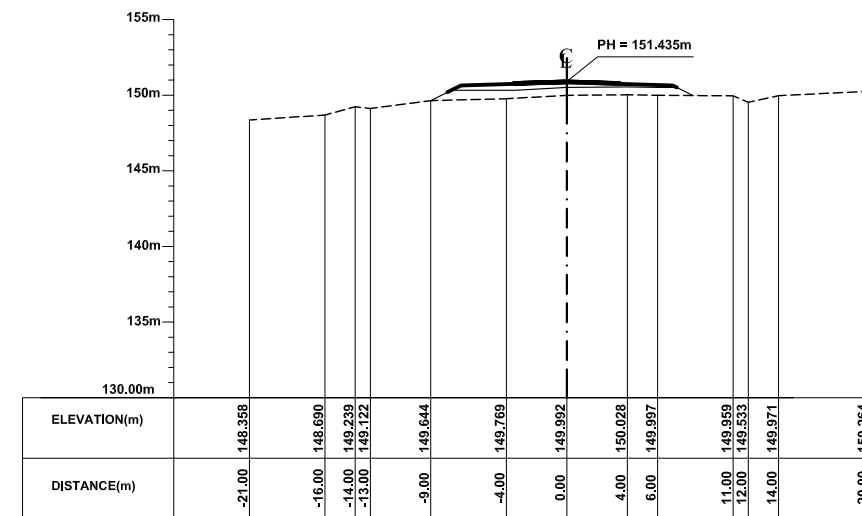
STA 94+675



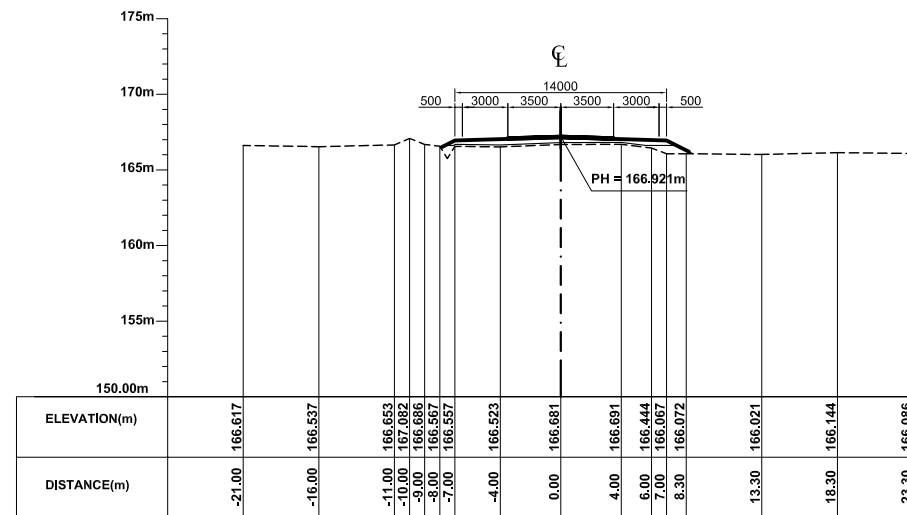
STA 104+000



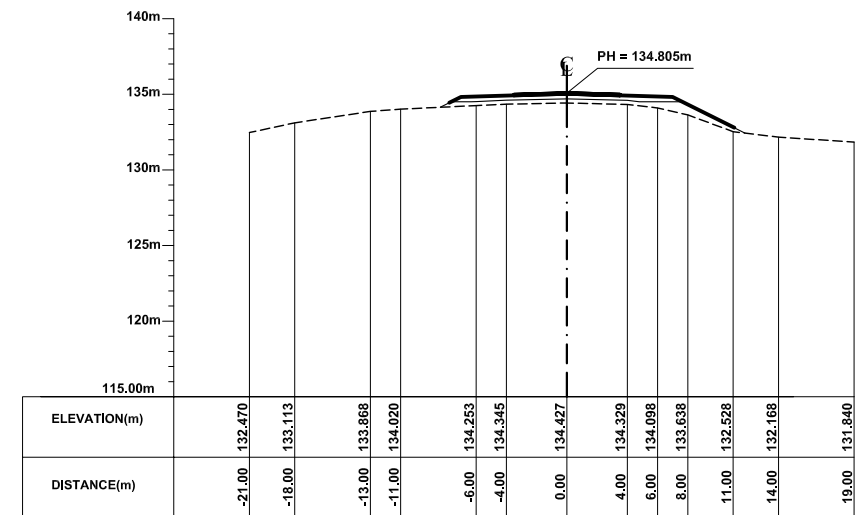
STA 91+077



STA 101+653

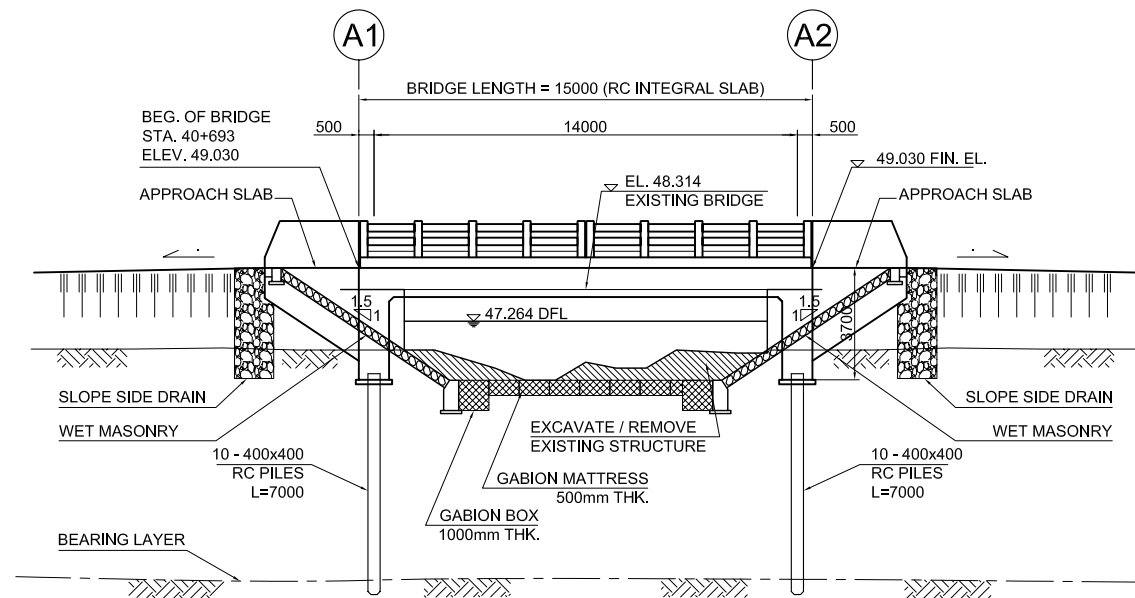


STA 87+610

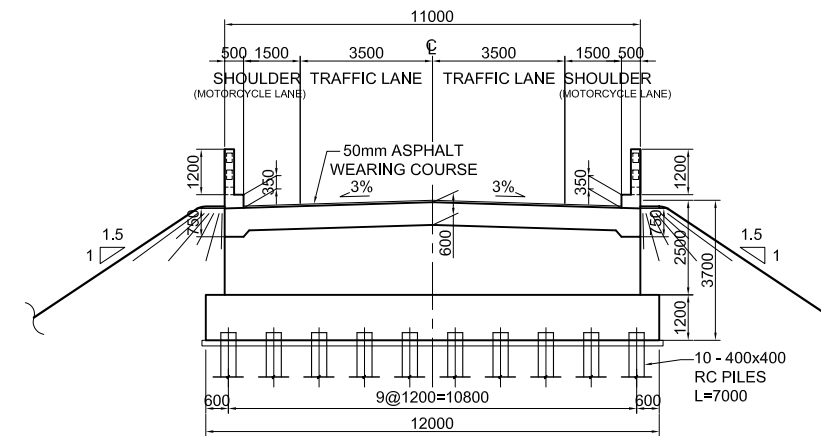


STA 98+176



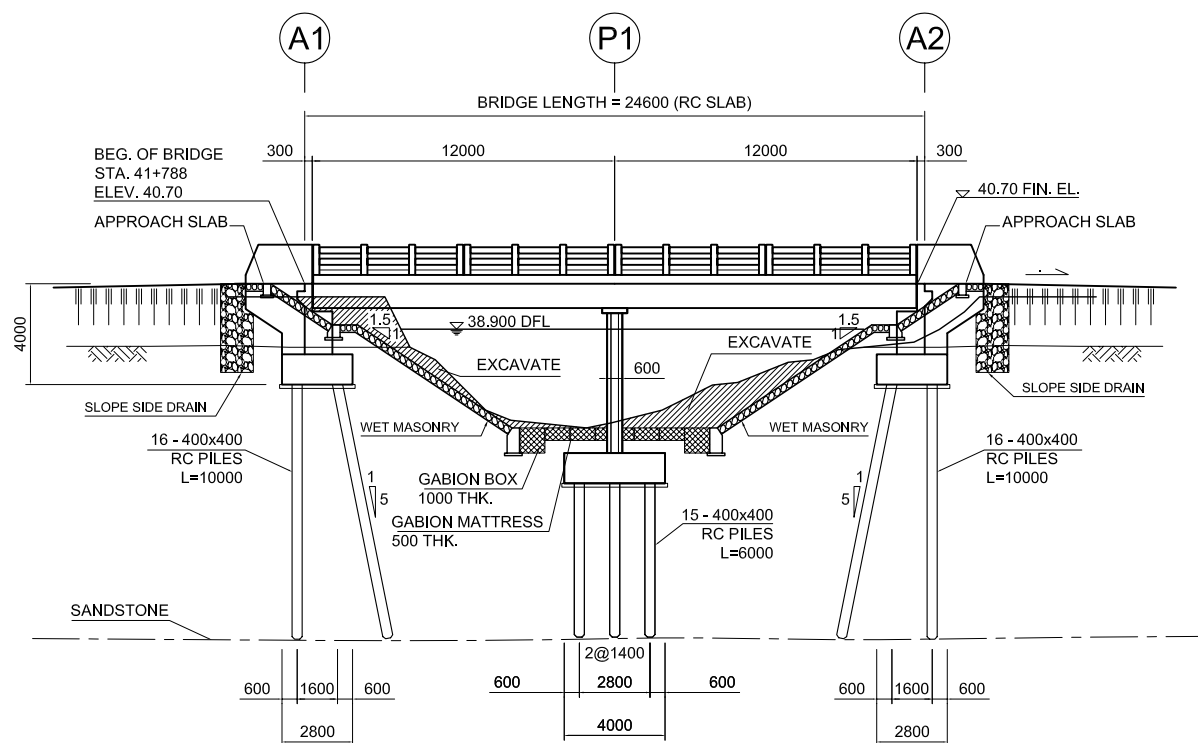


1 ELEVATION  
SCALE: 1:250

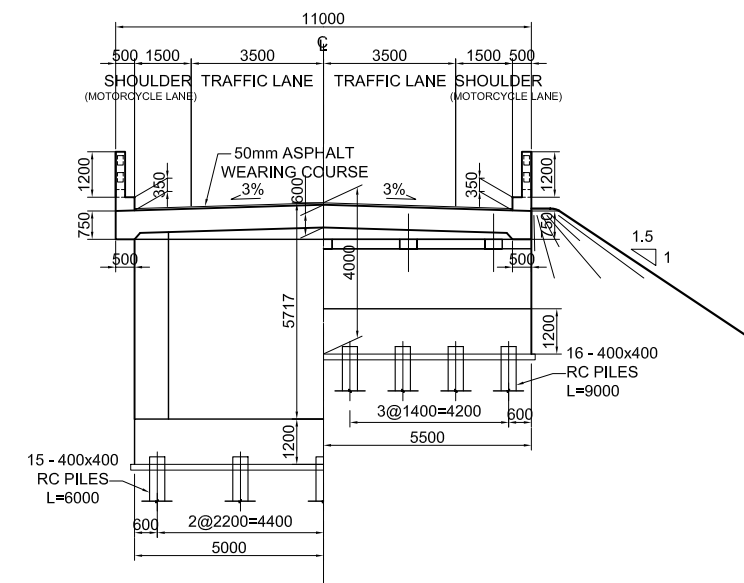


2 ABUTMENT SECTION  
SCALE: 1:200

A BRIDGE No.1 STA. 40+693



3 ELEVATION  
SCALE: 1:300



4 WALL PIER HALF SECTION  
SCALE: 1:200

5 ABUTMENT HALF SECTION  
SCALE: 1:200

B BRIDGE No.2 STA. 41+788



MINISTRY OF PUBLIC WORKS AND TRANSPORT  
Cnr Norodom Blvd & St 106, Phnom Penh, Kingdom Cambodia  
Tel : (855) 23 426099 - Fax : (855) 23 426098

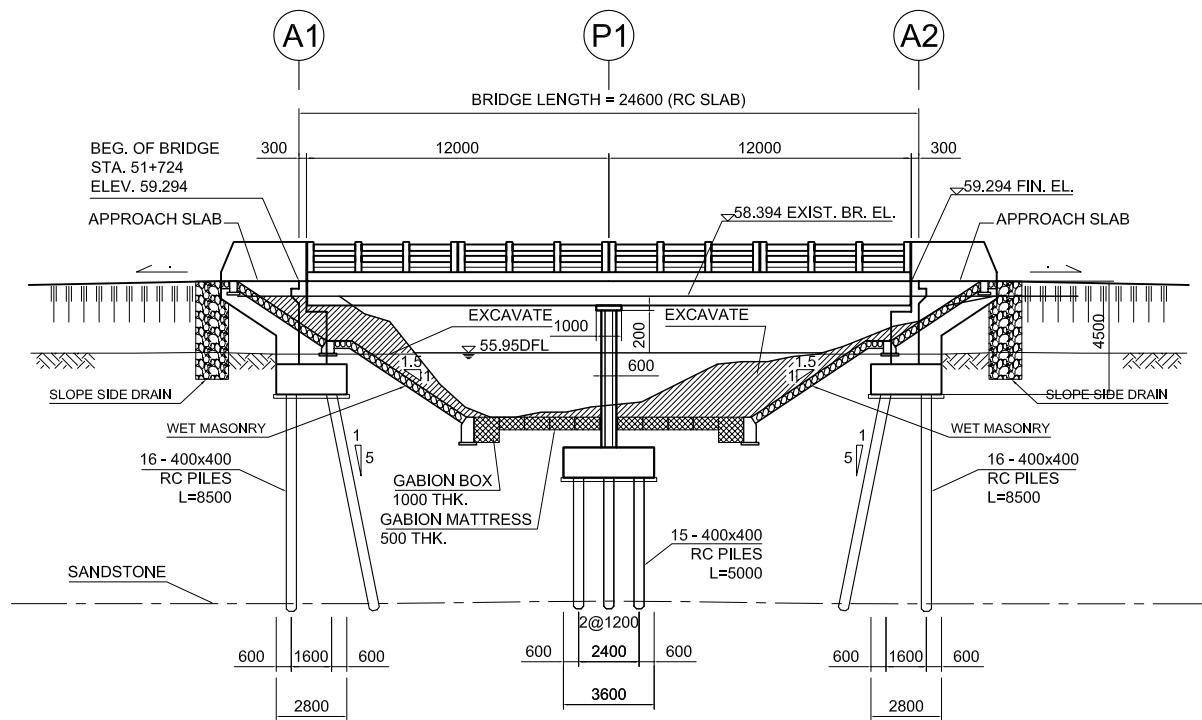
THE STUDY ON THE ROAD NETWORK  
DEVELOPMENT IN THE KINGDOM OF CAMBODIA  
PRE-FEASIBILITY STUDY ON  
IMPROVEMENT OF NATIONAL ROAD No. 57

JAPAN INTERNATIONAL COOPERATION AGENCY  
NIPPON KOEI CO., LTD. &  
KATAHIRA & ENGINEERS INTERNATIONAL

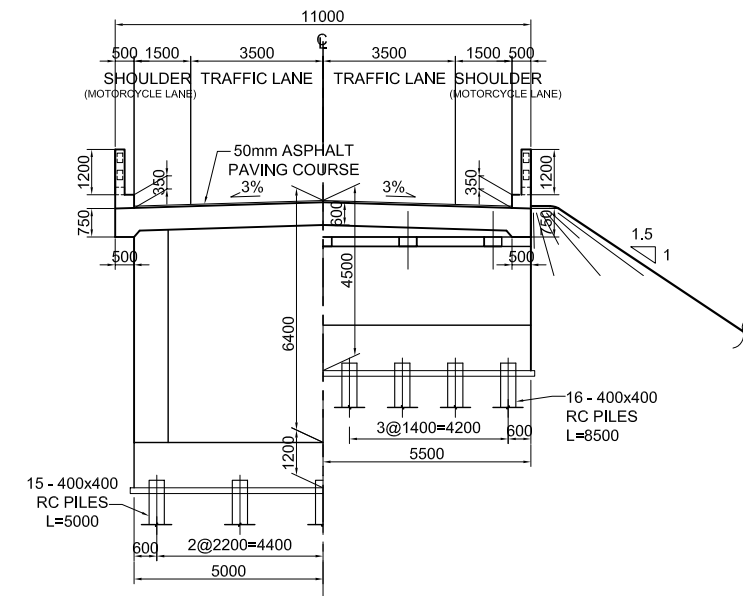
TITLE :  
BRIDGE No.1 STA.40+693 &  
BRIDGE No.2 STA.41+788  
ELEVATION AND SECTION

SCALE  
AS SHOWN

DRAWING No :  
A-41



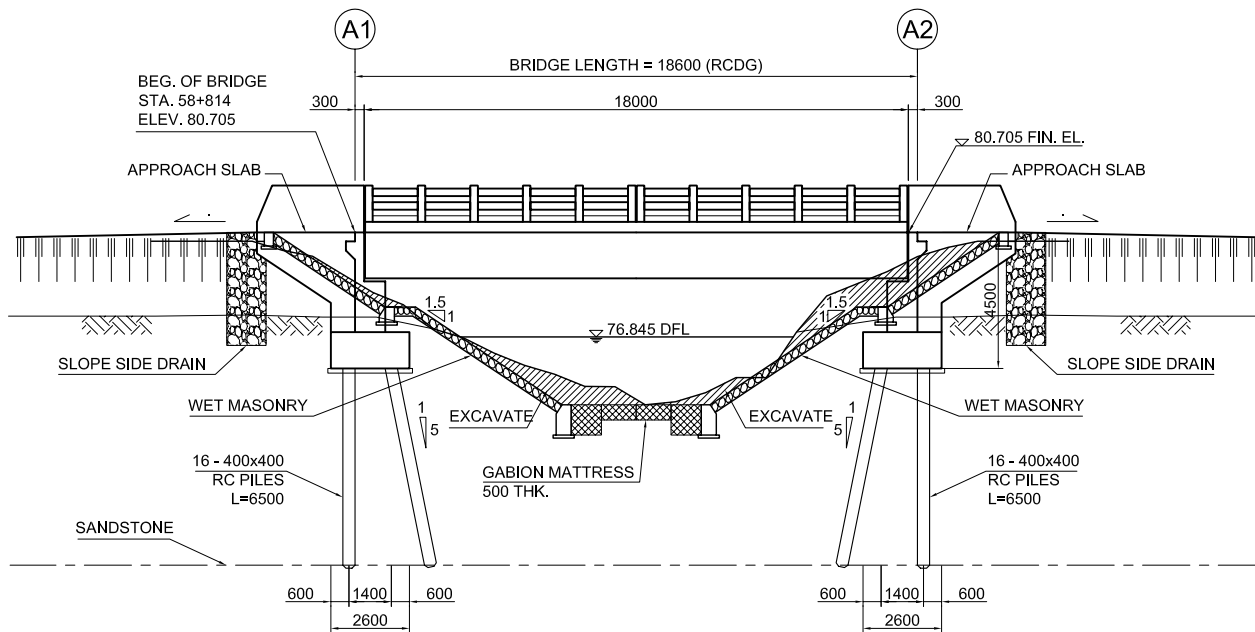
1 ELEVATION  
SCALE: 1:300



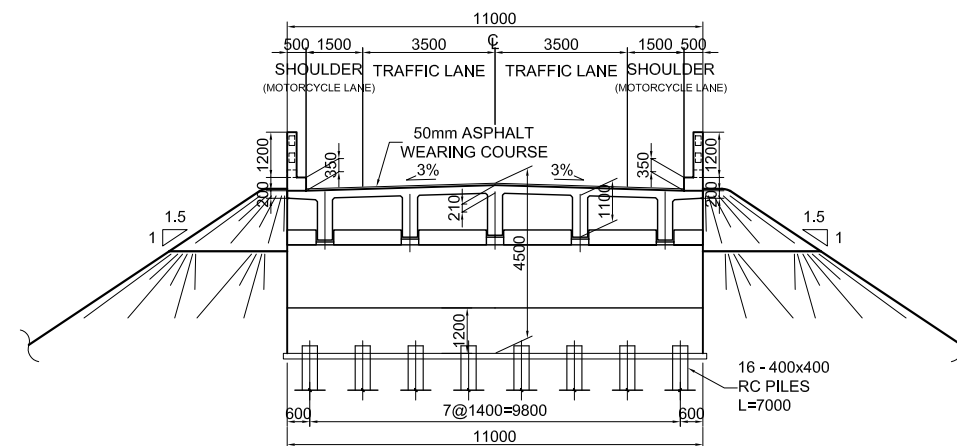
2 WALL PIER HALF SECTION  
SCALE: 1:200

3 ABUTMENT HALF SECTION  
SCALE: 1:200

A BRIDGE No.3 STA. 51+724



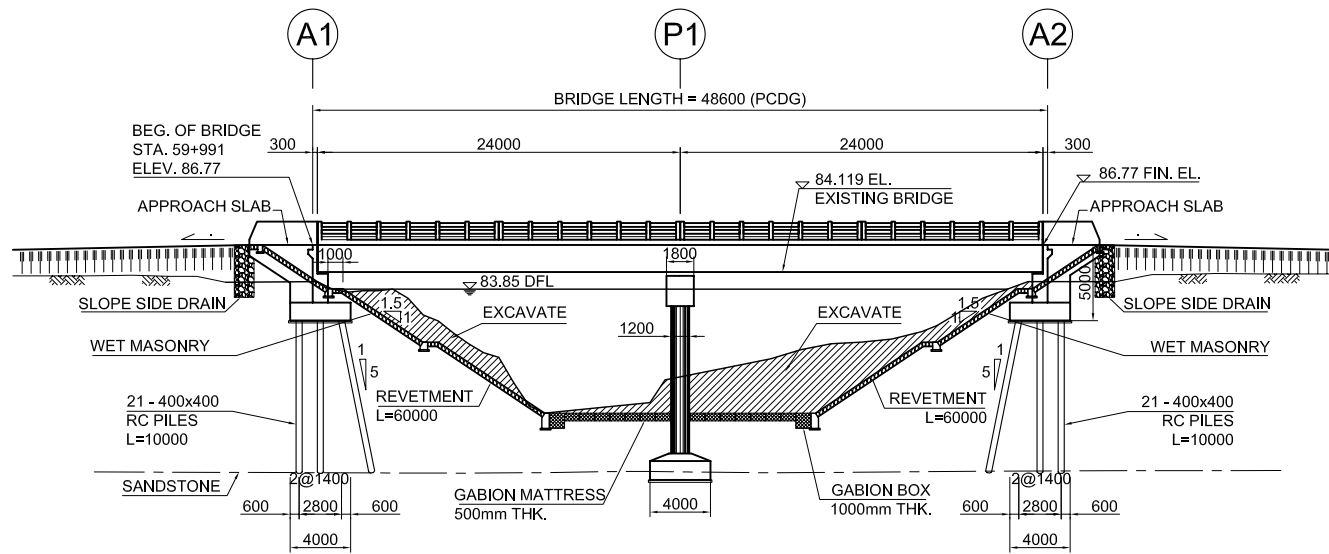
4 ELEVATION  
SCALE: 1:250



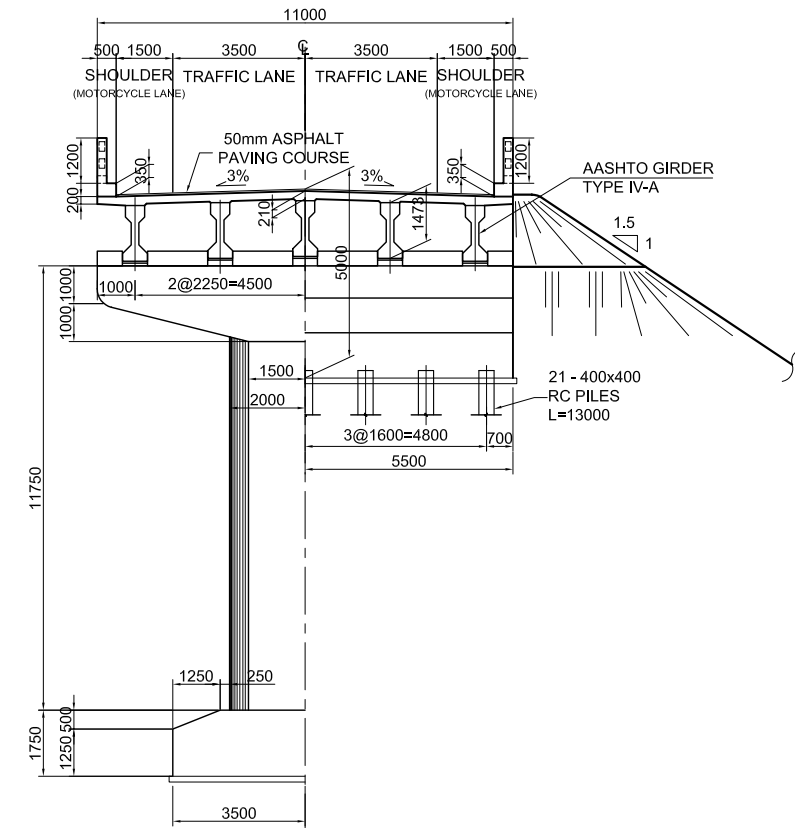
5 ABUTMENT SECTION  
SCALE: 1:200

B BRIDGE No.4 STA. 58+814



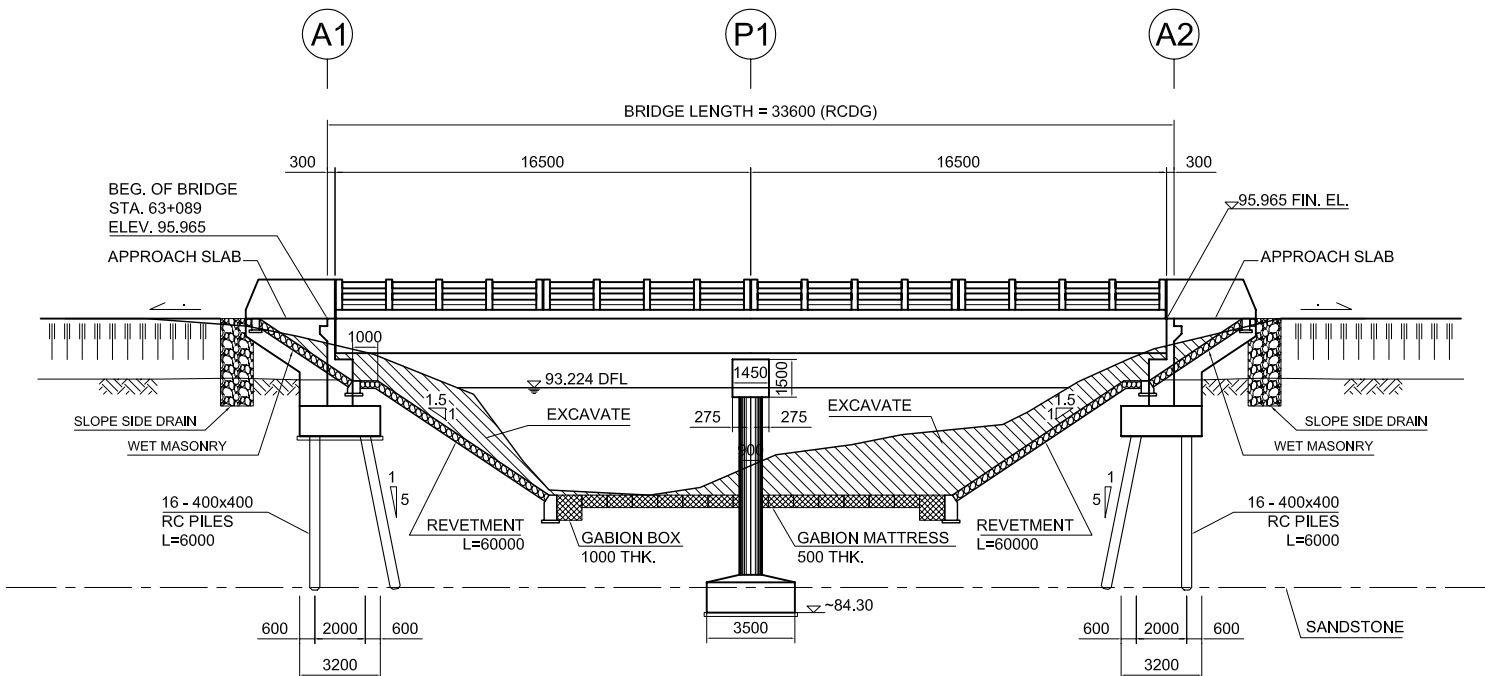


1 ELEVATION  
SCALE: 1:500

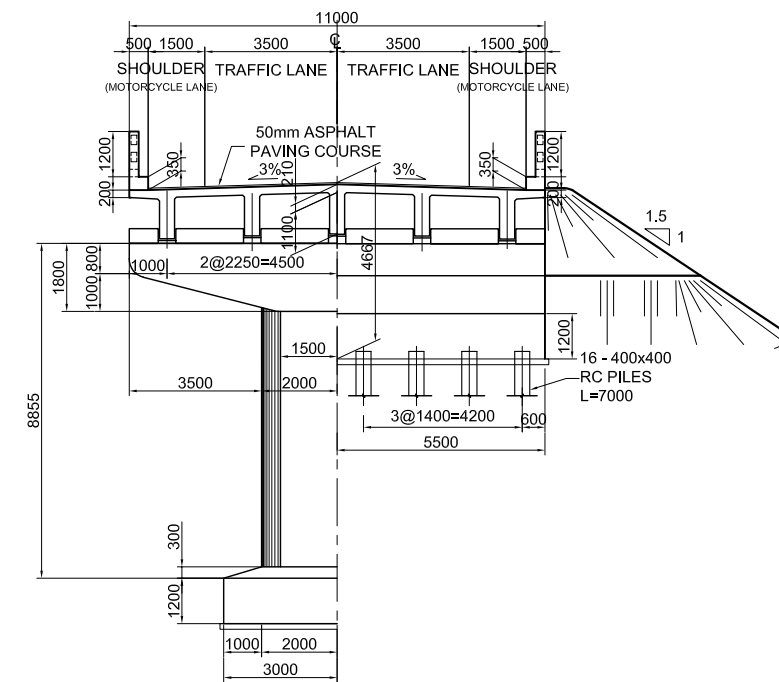


2 COLUMN PIER HALF SECTION SCALE: 1:200  
3 ABUTMENT HALF SECTION SCALE: 1:200

A BRIDGE No.5 STA. 59+991



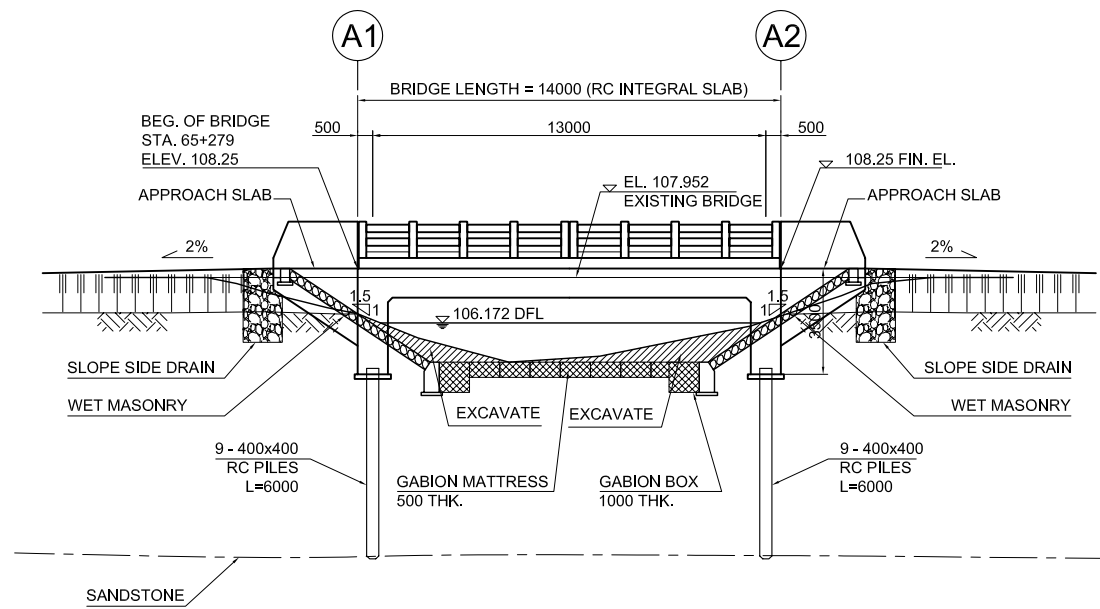
4 ELEVATION  
SCALE: 1:300



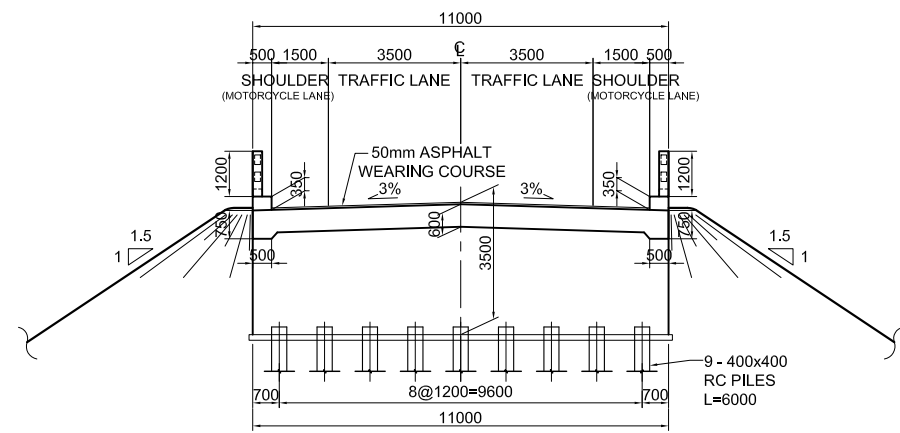
5 COLUMN PIER HALF SECTION SCALE: 1:200  
6 ABUTMENT HALF SECTION SCALE: 1:200

B BRIDGE No.6 STA. 63+089



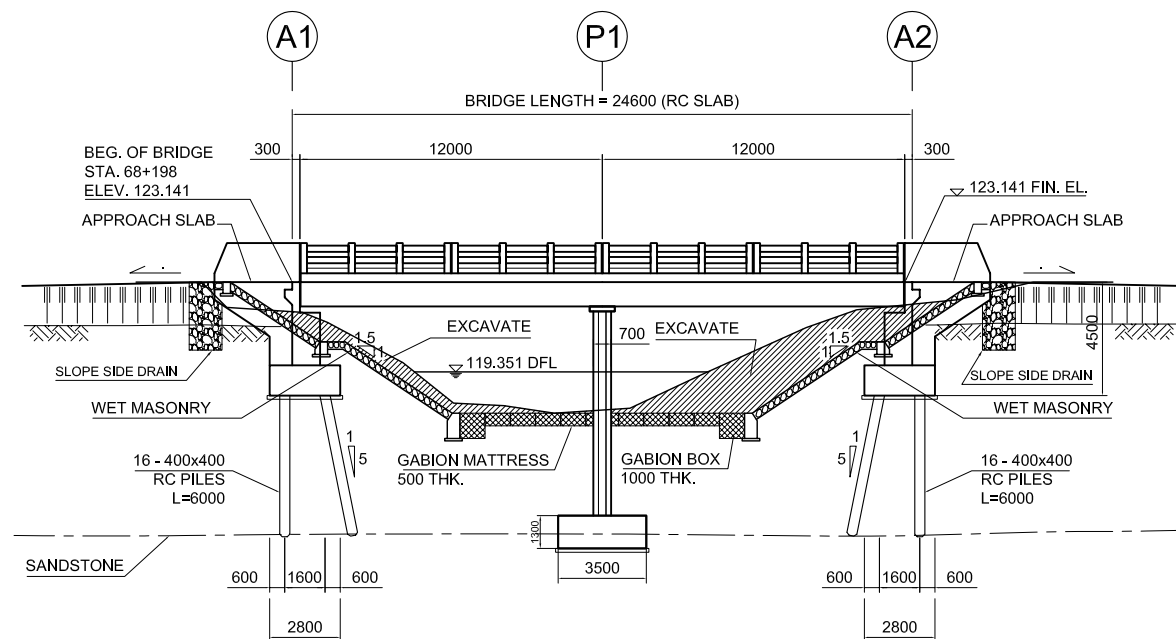


**1 ELEVATION**  
SCALE: 1:250

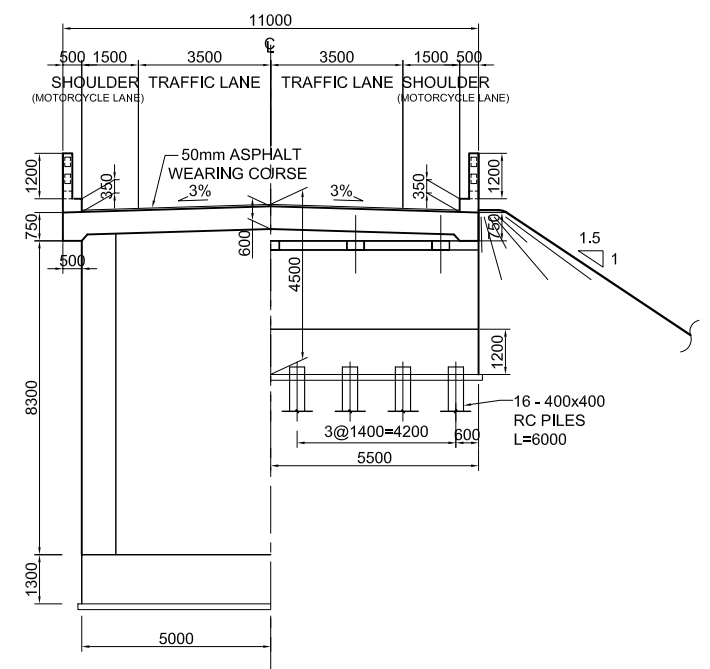


**2 ABUTMENT SECTION**  
SCALE: 1:200

**A BRIDGE No.7 STA. 65+279**



**3 ELEVATION**  
SCALE: 1:300



**4 WALL PIER HALF SECTION**  
SCALE: 1:200

**5 ABUTMENT HALF SECTION**  
SCALE: 1:200

**B BRIDGE No.8 STA. 68+198**



MINISTRY OF PUBLIC WORKS AND TRANSPORT  
Cnr Norodom Blvd & St 106, Phnom Penh, Kingdom Cambodia  
Tel : (855) 23 426099 - Fax : (855) 23 426098

THE STUDY ON THE ROAD NETWORK  
DEVELOPMENT IN THE KINGDOM OF CAMBODIA  
**PRE-FEASIBILITY STUDY ON  
IMPROVEMENT OF NATIONAL ROAD No. 57**

JAPAN INTERNATIONAL COOPERATION AGENCY  
NIPPON KOEI CO., LTD. &  
KATAHIRA & ENGINEERS INTERNATIONAL

TITLE:  
**BRIDGE No.7 STA.65+279 &  
BRIDGE No.8 STA.68+198**  
ELEVATION AND SECTION

SCALE  
AS SHOWN

DRAWING No :  
A-44