

The Basic Design Study on Flood Protection and Drainage Improvement Project in the Municipality of Phnom Penh (Phase II)

JICA JAPAN INTERNATIONAL COOPERATION AGENCY
CTI CTI ENGINEERING INTERNATIONAL CO., LTD.
NK NIPPON KOEI CO., LTD.

Drawing No. DM-GR-01

General Plan of Drainage Facilities

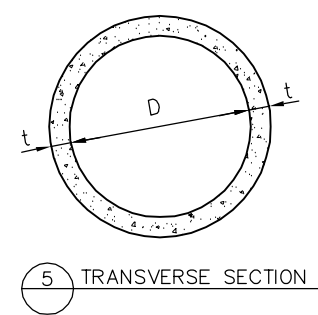
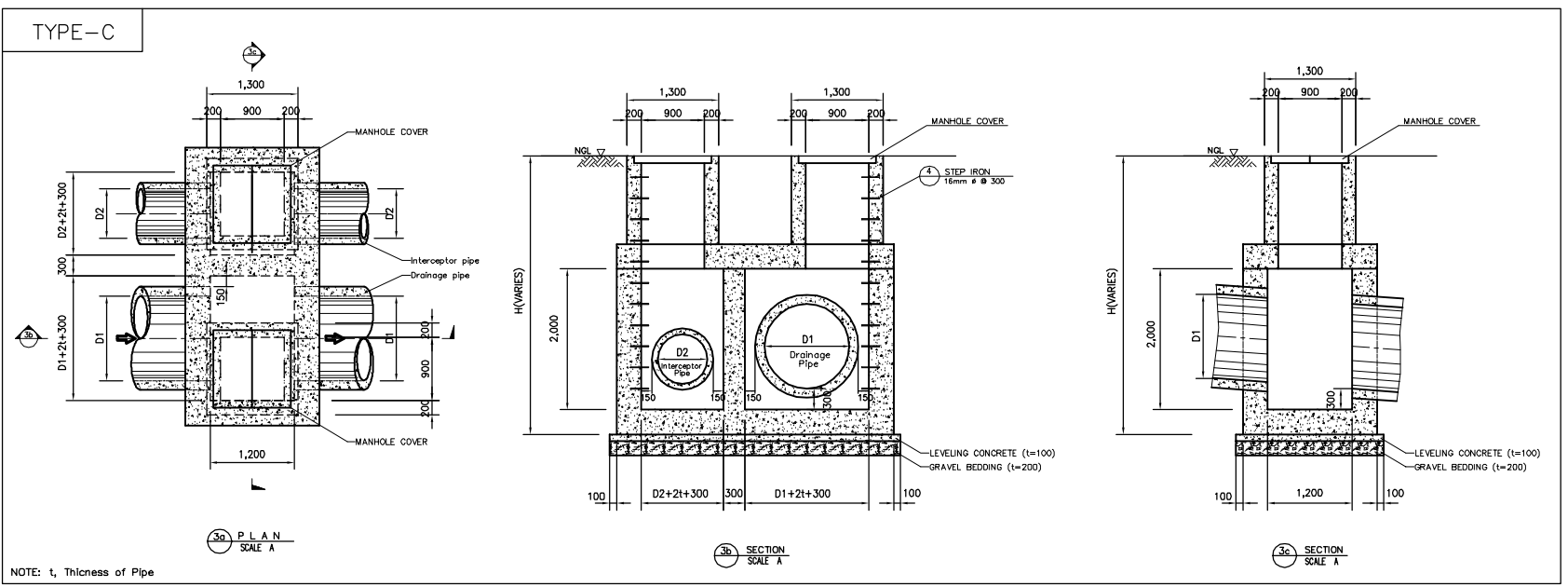
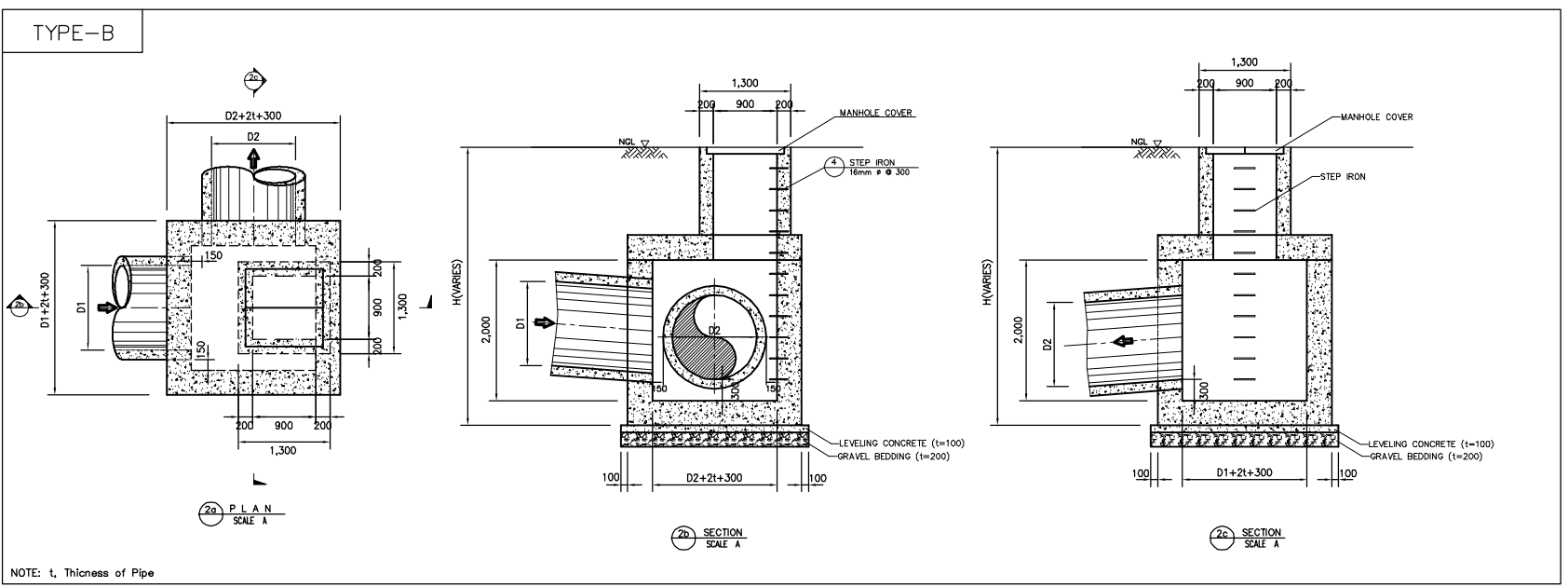
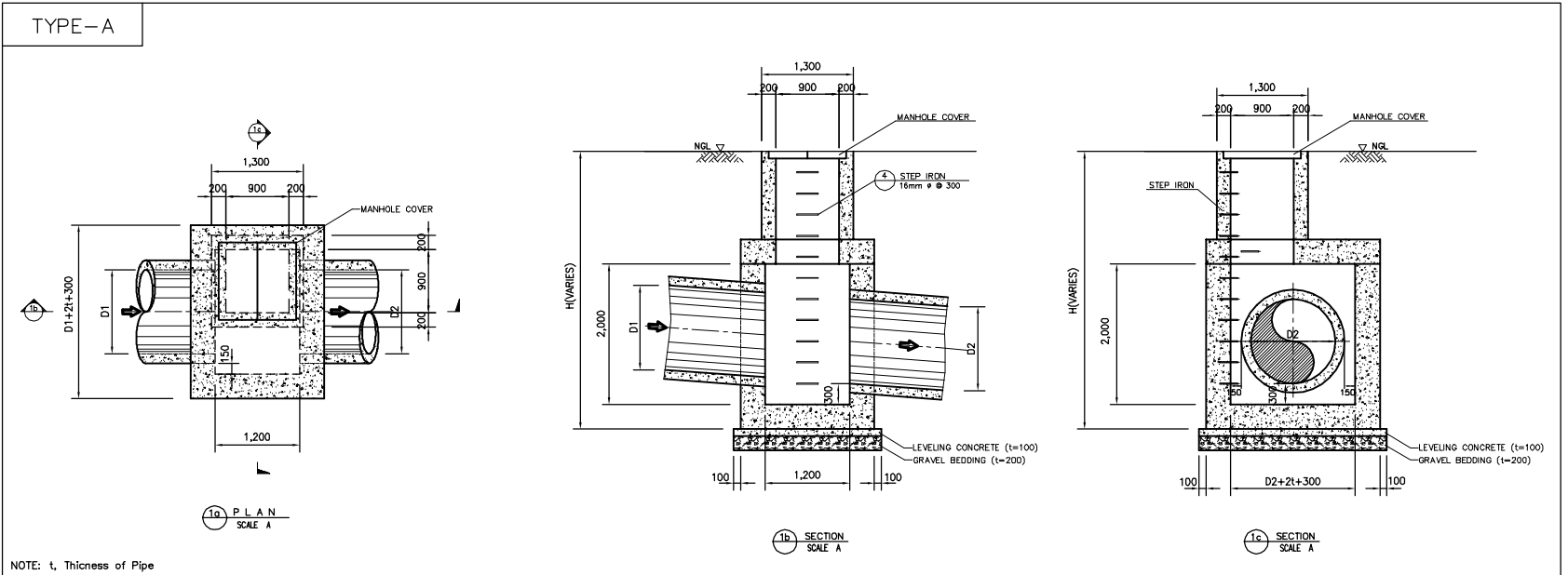
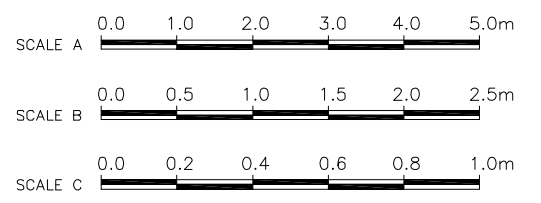
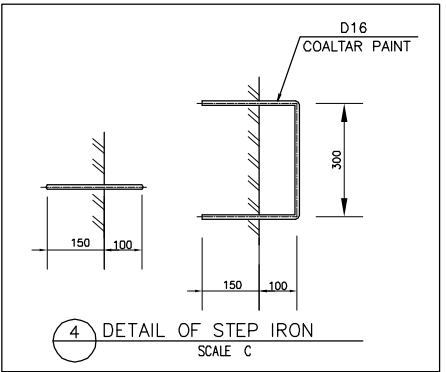
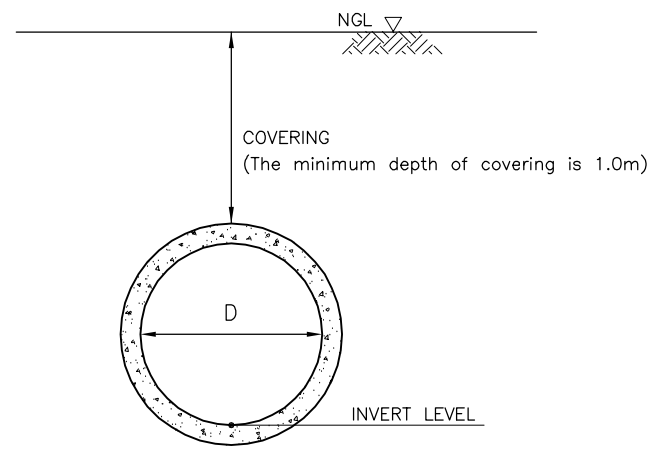
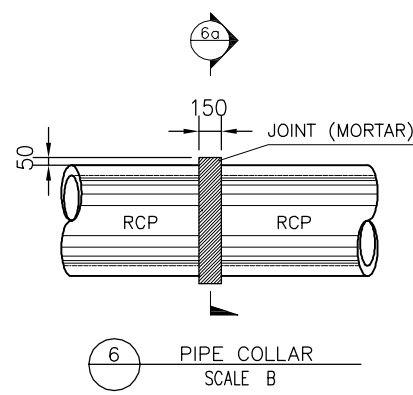


TABLE OF DIMENSIONS

Type	Inside Diameter (mm)	Thickness, t (mm)
Interceptor Pipe	500	60
	600	75
	700	85
Drainage Pipe	1000	110
	1200	130
	1500	165
	1800	200

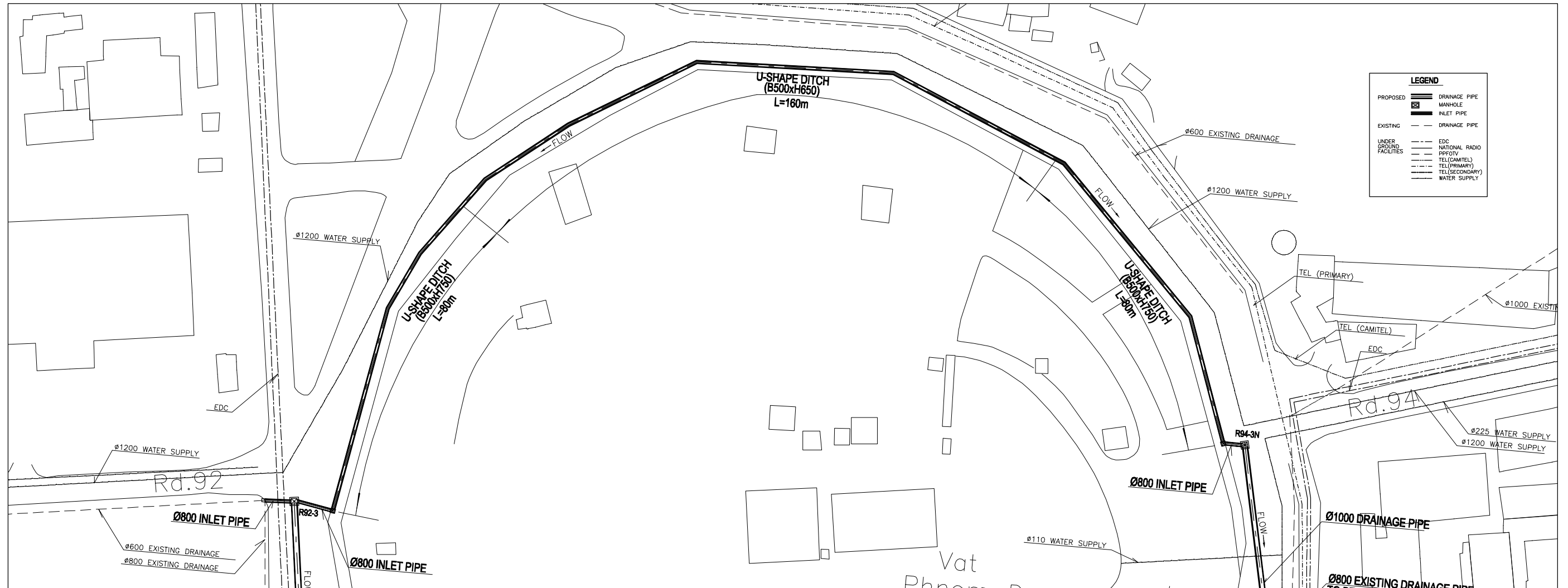


The Basic Design Study on Flood Protection and Drainage Improvement Project in the Municipality of Phnom Penh (Phase II)

Drawing No. DM-GR-02

JICA JAPAN INTERNATIONAL COOPERATION AGENCY
CTI CTI ENGINEERING INTERNATIONAL CO., LTD.
NIPON KOEI CO., LTD.

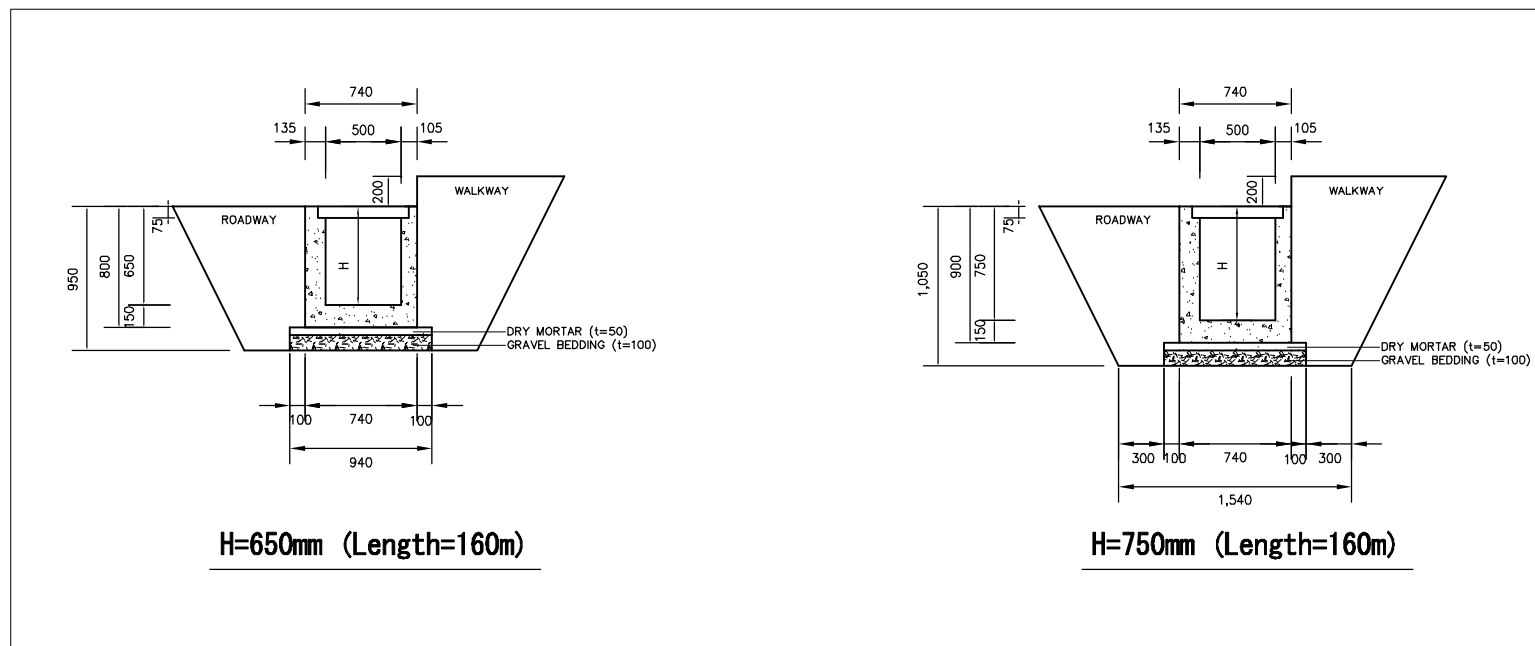
Detail of Manhole & Drainage Pipe



LEGEND

PROPOSED	—	DRAINAGE PIPE
	□	MANHOLE
	—	INLET PIPE
EXISTING	---	DRAINAGE PIPE
UNDER GROUND FACILITIES	---	EDC
	---	NATIONAL RADIO PIPES
	---	TEL (CAMITEL)
	---	TEL (PRIMARY)
	---	TEL (SECONDARY)
	---	WATER SUPPLY

PLAN
SCALE A



TYPICAL SECTION
SCALE B

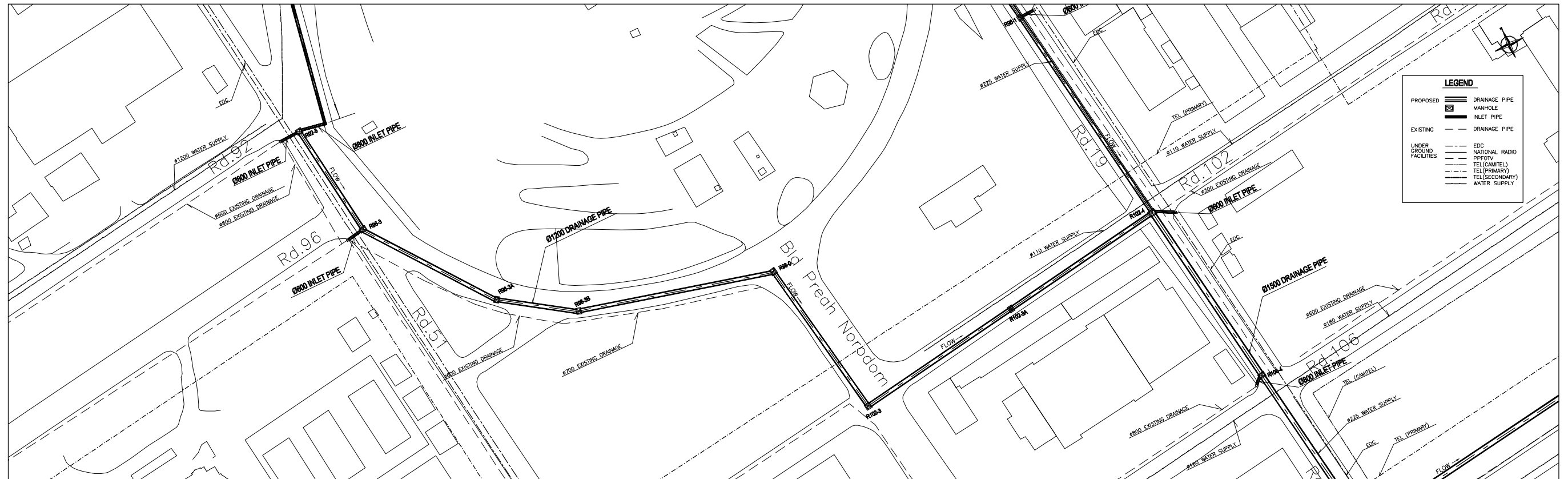


The Basic Design Study on Flood Protection and Drainage Improvement Project in the Municipality of Phnom Penh (Phase II)

Drawing No. DM-WP-01

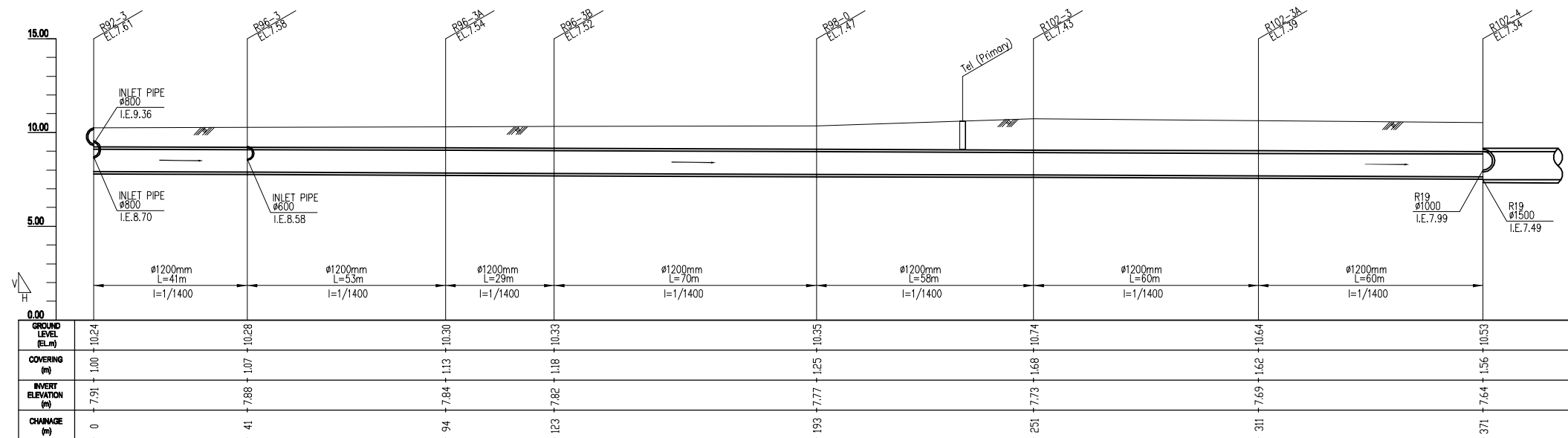
JICA JAPAN INTERNATIONAL COOPERATION AGENCY
CTI CTI ENGINEERING INTERNATIONAL CO., LTD.
NIPPO NIPPON KOEI CO., LTD.

Plan & Profile
R51 Drainage Main (1/2)



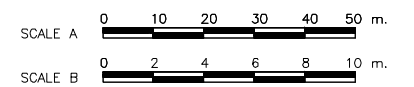
PLAN (Manhole No. fr. R92-3 to R102-4)

SCALE A



PROFILE (Manhole No. fr. R92-3 to R102-4)

H: SCALE A V: SCALE B

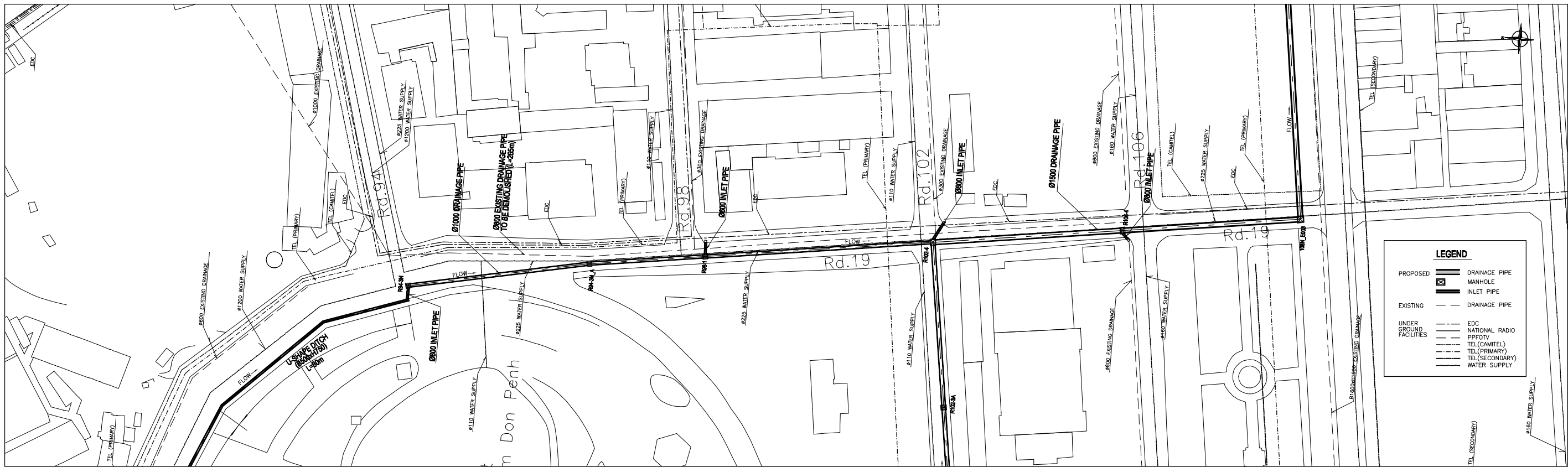


The Basic Design Study on Flood Protection and Drainage Improvement Project in the Municipality of Phnom Penh (Phase II)

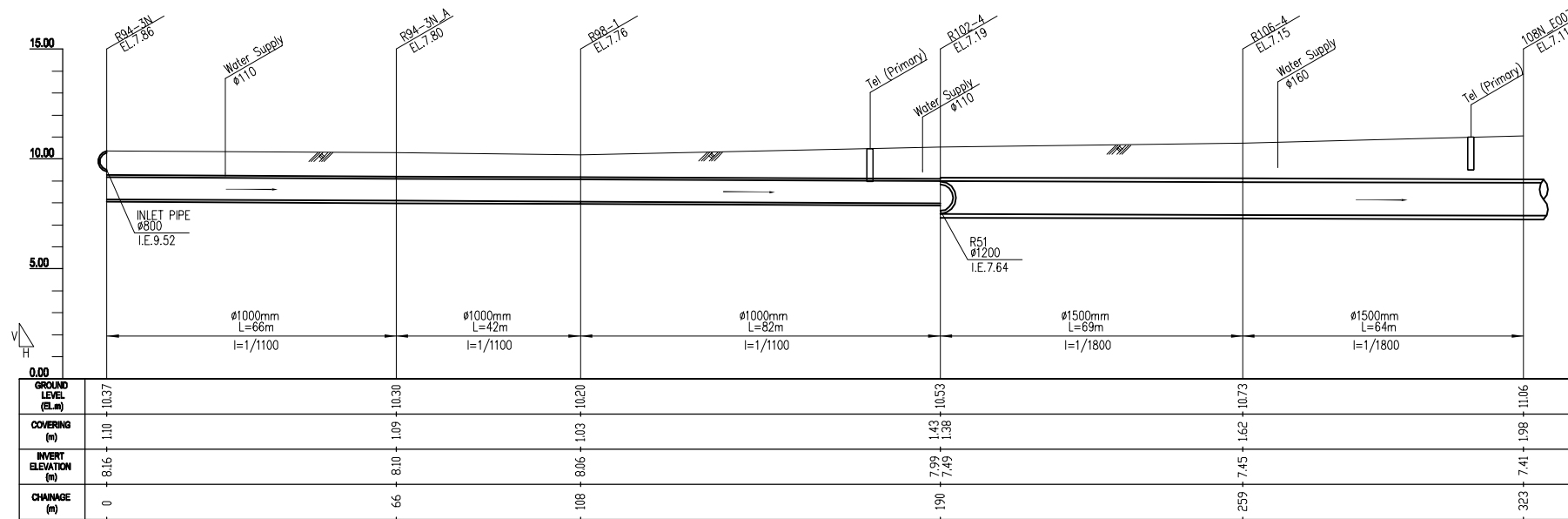
JICA JAPAN INTERNATIONAL COOPERATION AGENCY
CTI CTI ENGINEERING INTERNATIONAL CO., LTD.
NIPPON KOEI CO., LTD.

Drawing No. DM-WP-02

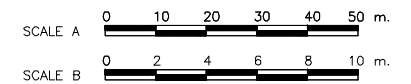
Plan & Profile
 R51 Drainage Main (2/2)



PLAN (Manhole No. fr. R94-3N to 108N_E003)
SCALE A



PROFILE (Manhole No. fr. R94-3N to 108N_E003)
H: SCALE A V: SCALE B

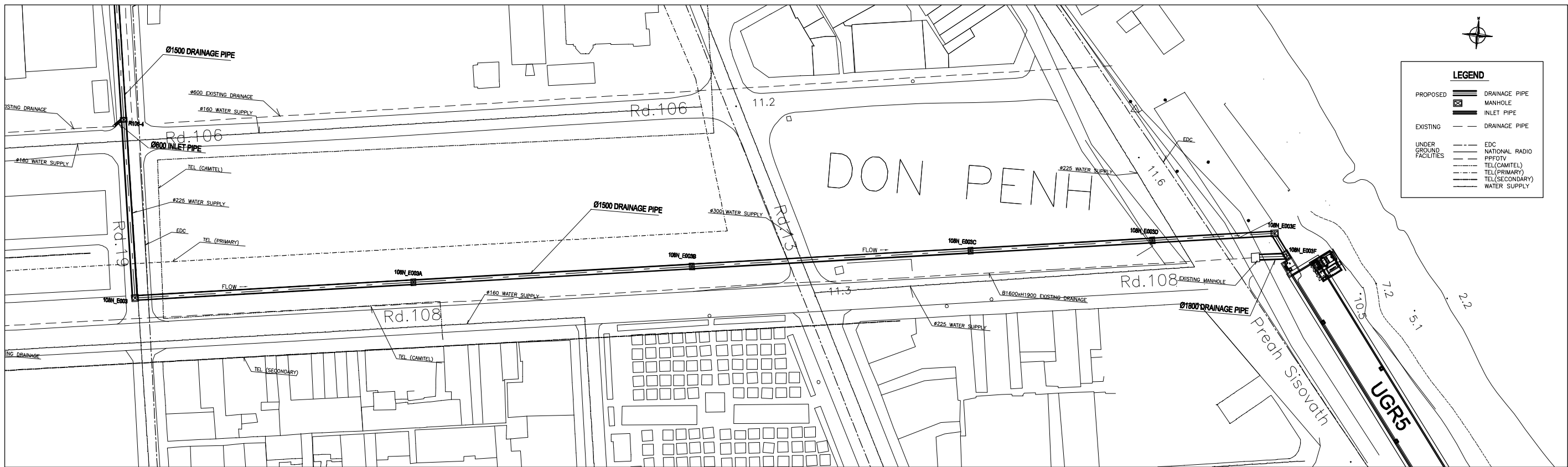


The Basic Design Study on Flood Protection and Drainage Improvement Project in the Municipality of Phnom Penh (Phase II)

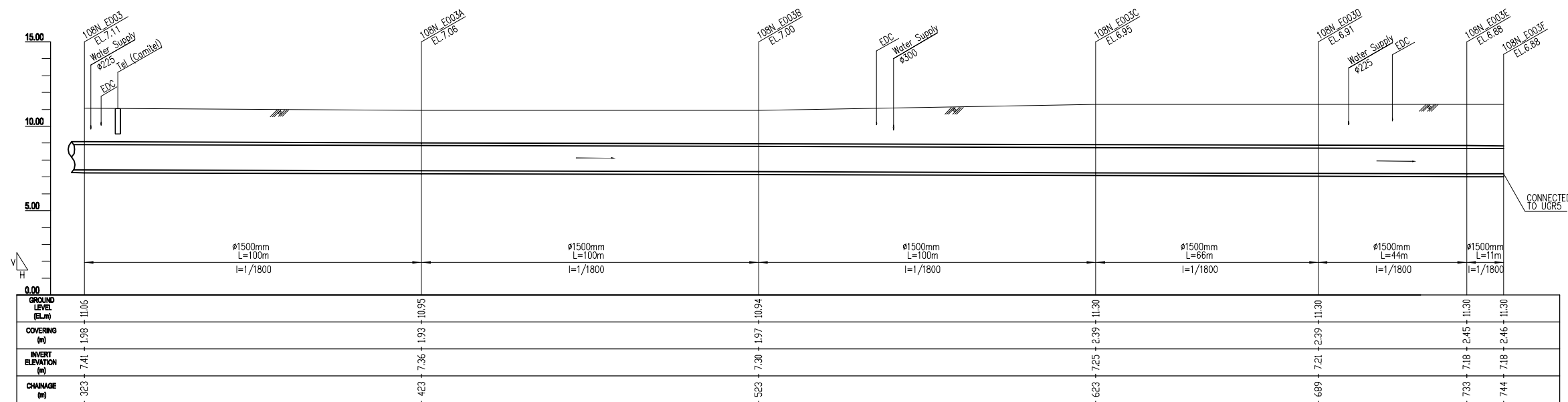
JICA JAPAN INTERNATIONAL COOPERATION AGENCY
CTI CTI ENGINEERING INTERNATIONAL CO., LTD.
NIPPON KOEI CO., LTD.

Drawing No. DM-WP-03

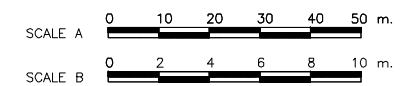
Plan & Profile
R19 Drainage Main (1/2)



PLAN (Manhole No. fr. 108N_E003 to 108N_E003F)
SCALE A



PROFILE (Manhole No. fr. 108N_E003 to 108N_E003F)
H: SCALE A V: SCALE B



The Basic Design Study on Flood Protection and Drainage Improvement Project in the Municipality of Phnom Penh (Phase II)

JICA JAPAN INTERNATIONAL COOPERATION AGENCY
CTI CTI ENGINEERING INTERNATIONAL CO., LTD.
NIPPON KOEI CO., LTD.

Drawing No. DM-WP-04

Plan & Profile
R19 Drainage Main (2/2)