

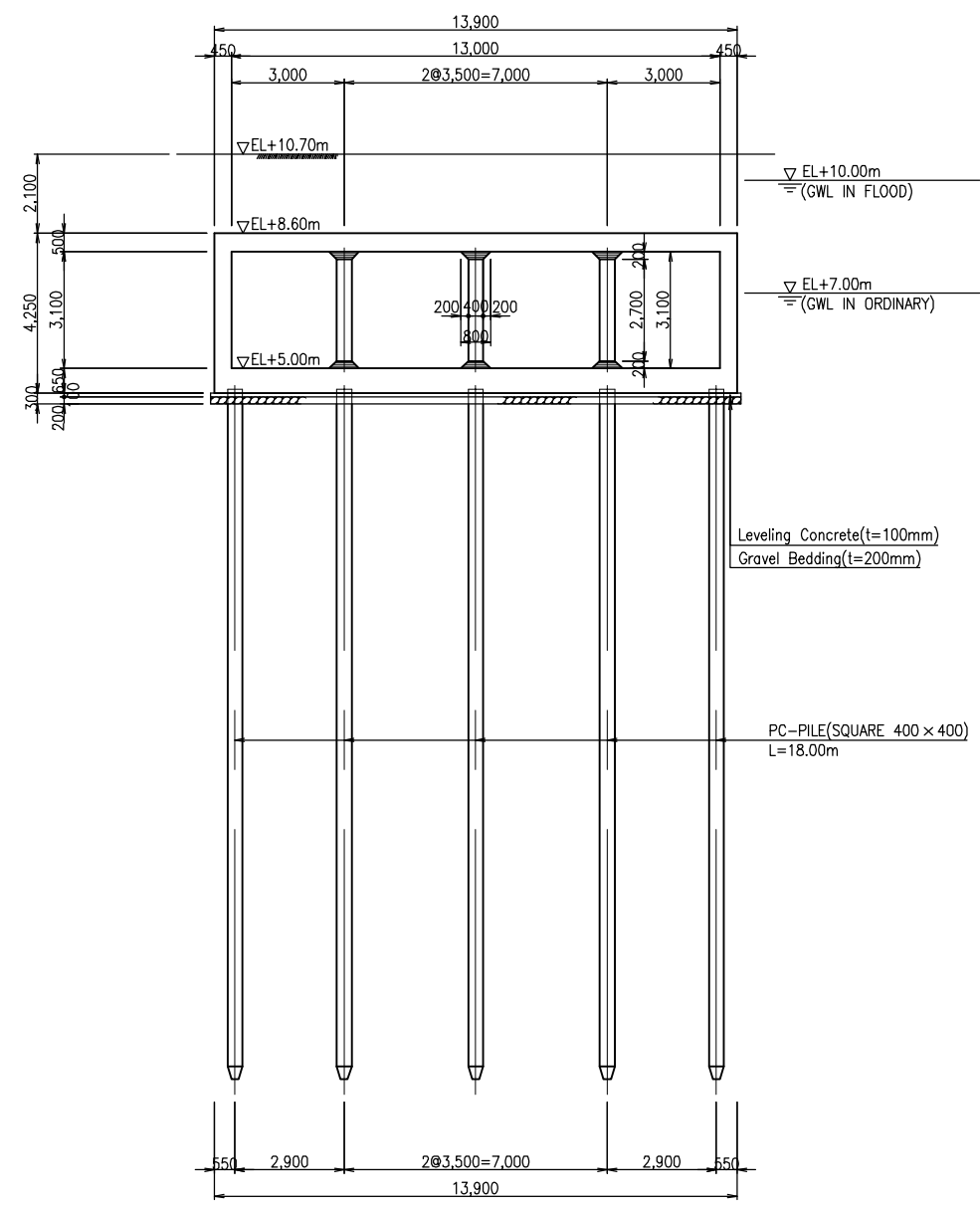
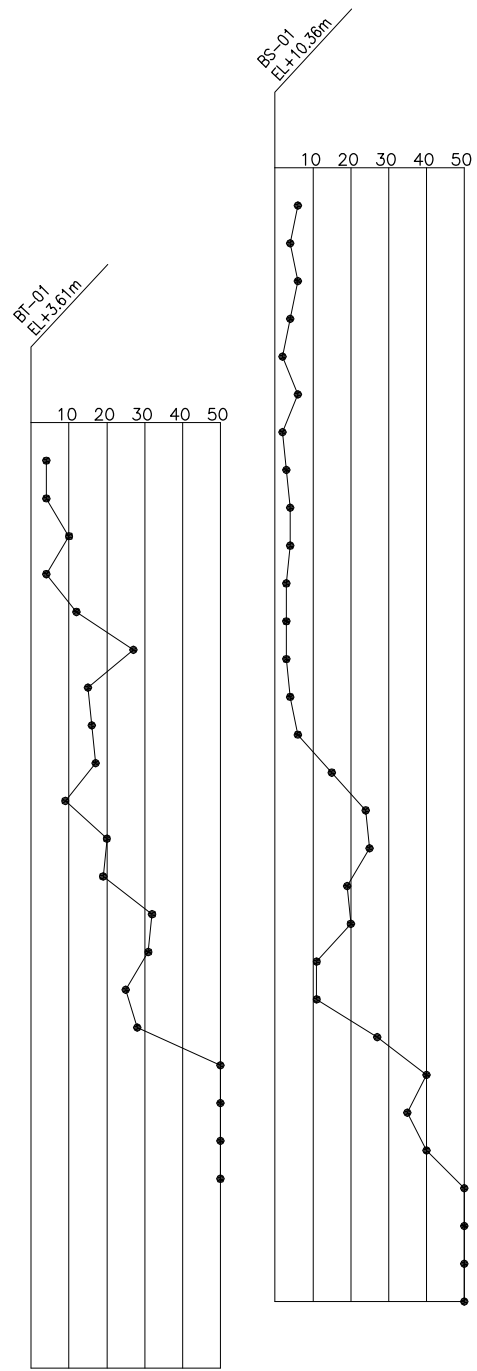
The Basic Design Study on Flood Protection and Drainage Improvement Project in the Municipality of Phnom Penh (Phase II)

**jica** JAPAN INTERNATIONAL COOPERATION AGENCY

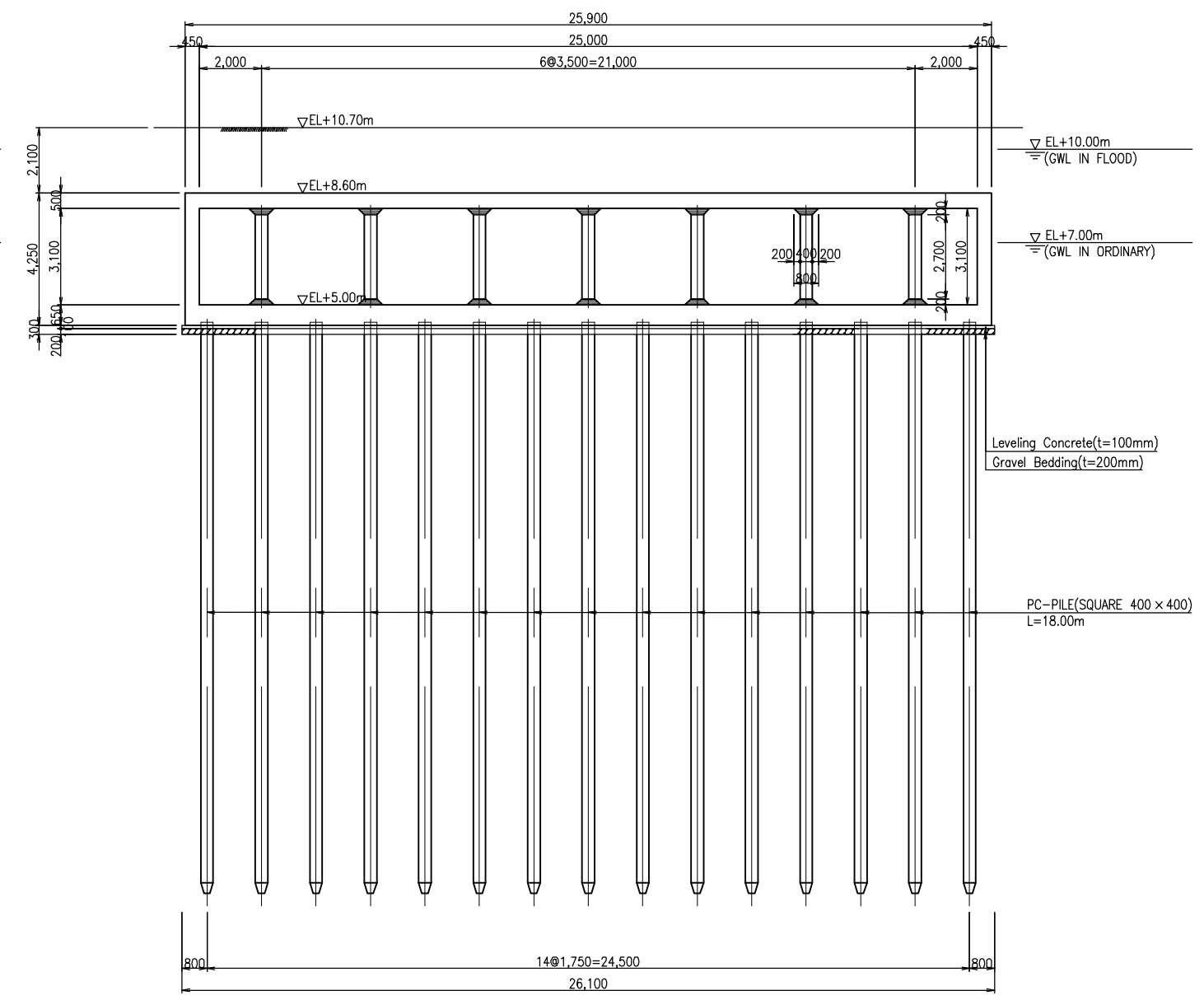
**CTI** CTI ENGINEERING INTERNATIONAL CO., LTD.  
**NK** NIPPON KOEI CO., LTD.

Drawing No. PR-P1-01

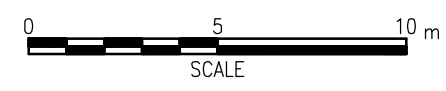
No.1 Pumping Station & No.1 Underground Reservoir General Plan



Section A-A



Section B - B

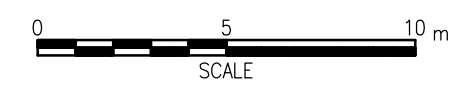
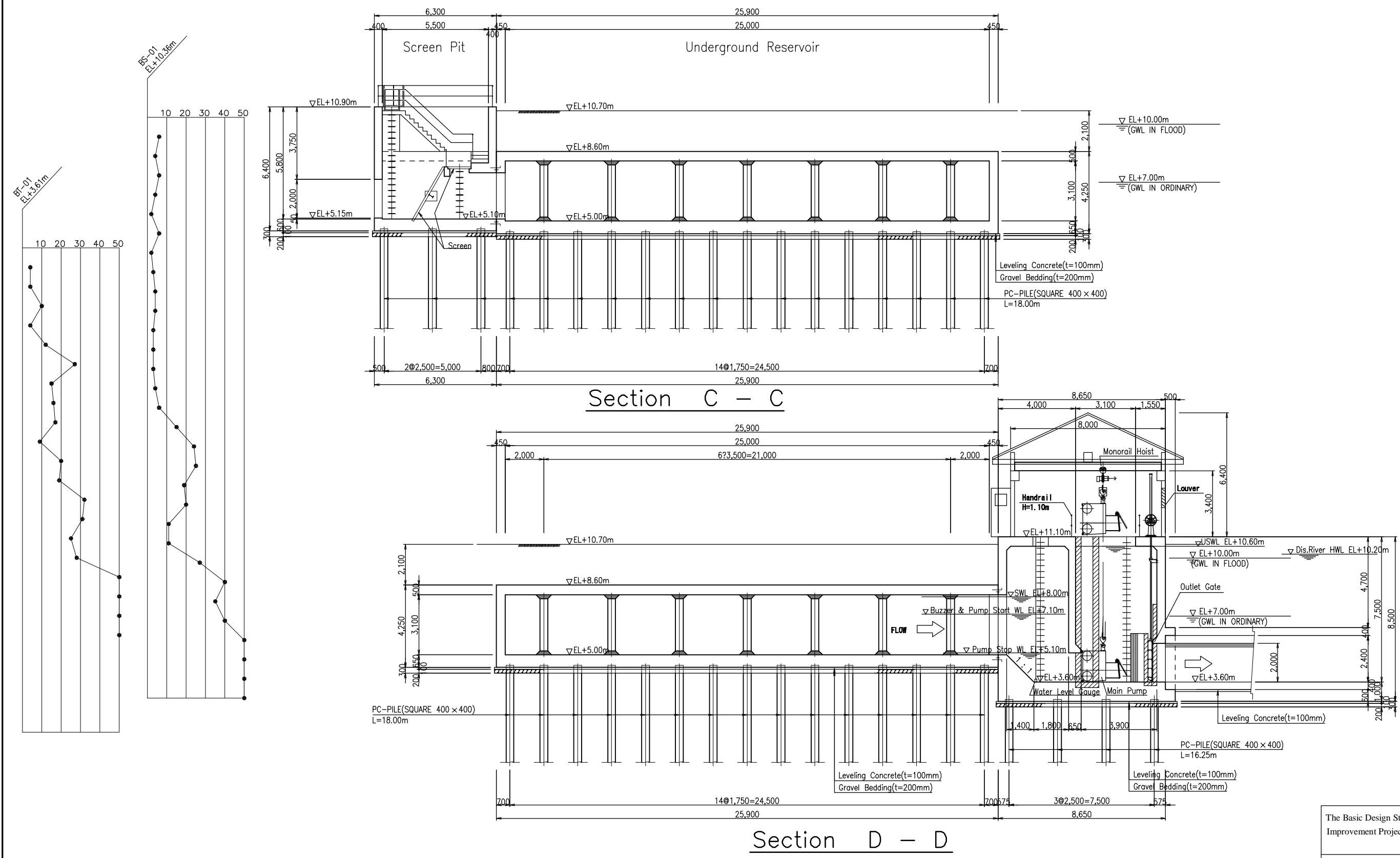


The Basic Design Study on Flood Protection and Drainage Improvement Project in the Municipality of Phnom Penh (Phase II)

**jica** JAPAN INTERNATIONAL COOPERATION AGENCY  
**CTI** CTI ENGINEERING INTERNATIONAL CO., LTD.  
**NK** NIPPON KOEI CO., LTD.

Drawing No. PR-P1-02

No.1 Pumping Station & No.1 Underground Reservoir Typical Sections (1/2)



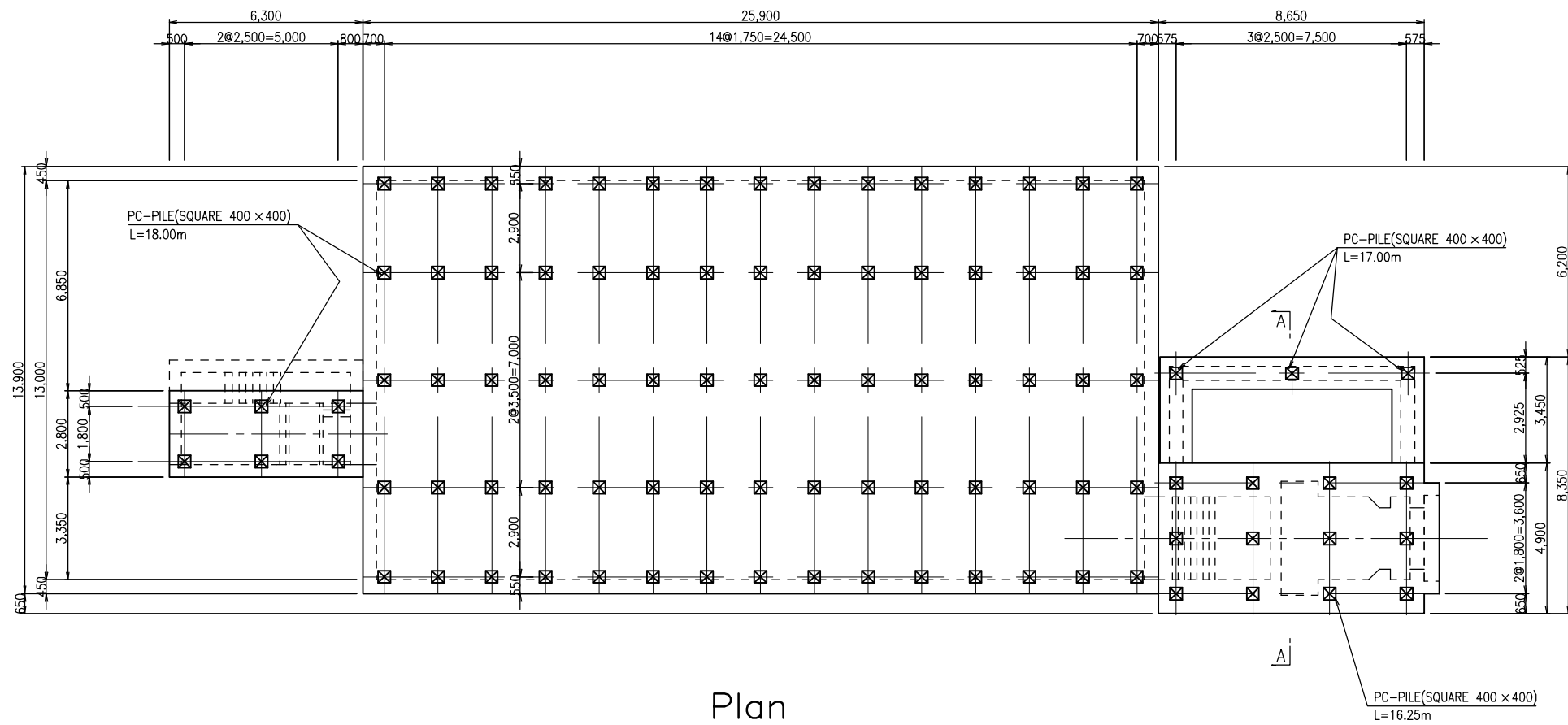
The Basic Design Study on Flood Protection and Drainage Improvement Project in the Municipality of Phnom Penh (Phase II)

**JICA** JAPAN INTERNATIONAL COOPERATION AGENCY

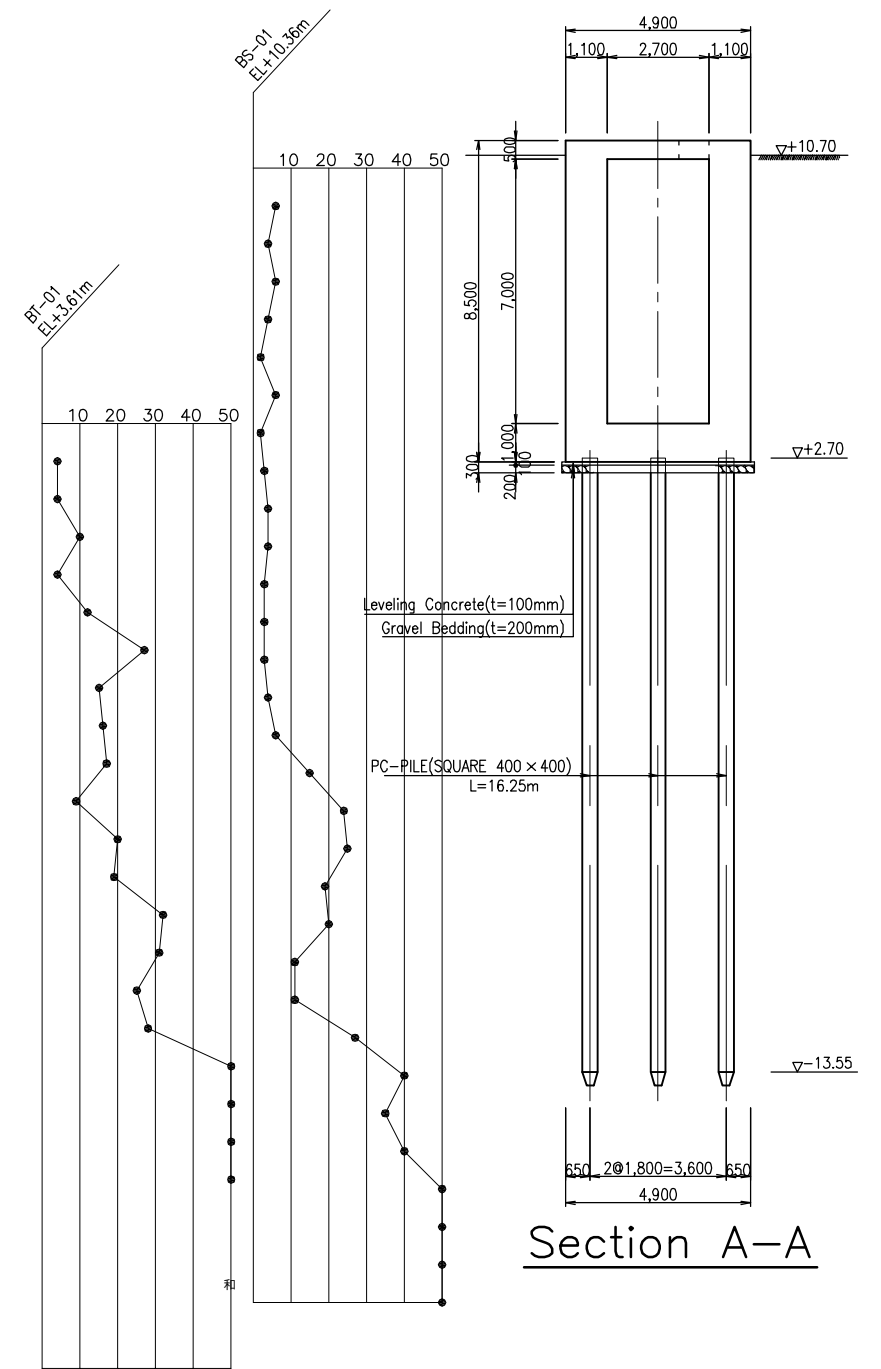
**CTI** CTI ENGINEERING INTERNATIONAL CO., LTD.  
NIPPON KOEI CO., LTD.

Drawing No. PR-P1-03

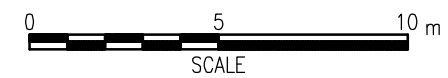
No.1 Pumping Station & No.1 Underground Reservoir Typical Sections (2/2)



Plan



Section A-A



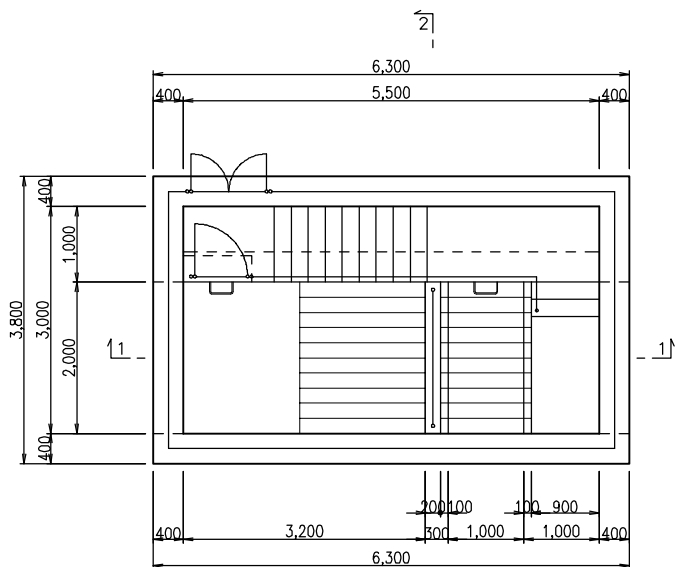
The Basic Design Study on Flood Protection and Drainage Improvement Project in the Municipality of Phnom Penh (Phase II)

**JICA** JAPAN INTERNATIONAL COOPERATION AGENCY

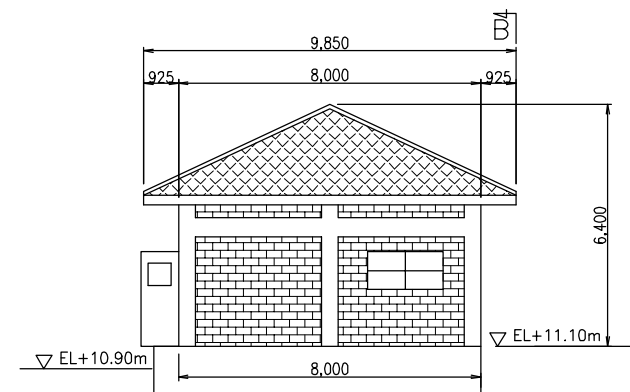
**CTI** CTI ENGINEERING INTERNATIONAL CO., LTD.  
**NK** NIPPON KOEI CO., LTD.

Drawing No. PR-P1-04

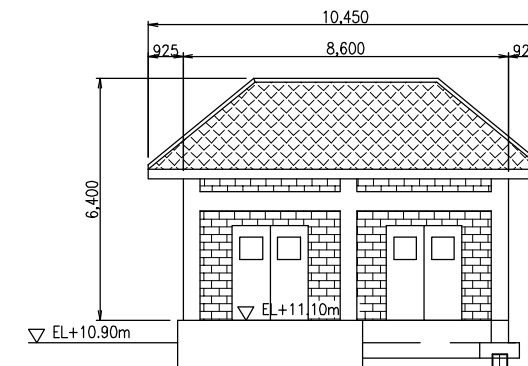
No.1 Pumping Station & No.1 Underground Reservoir Layout of Foundation Pile



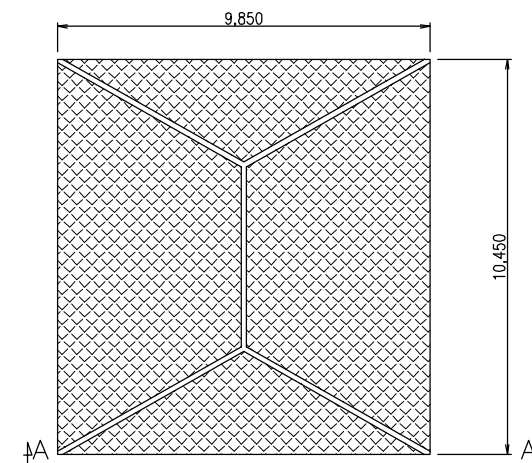
PLAN



Section A-A



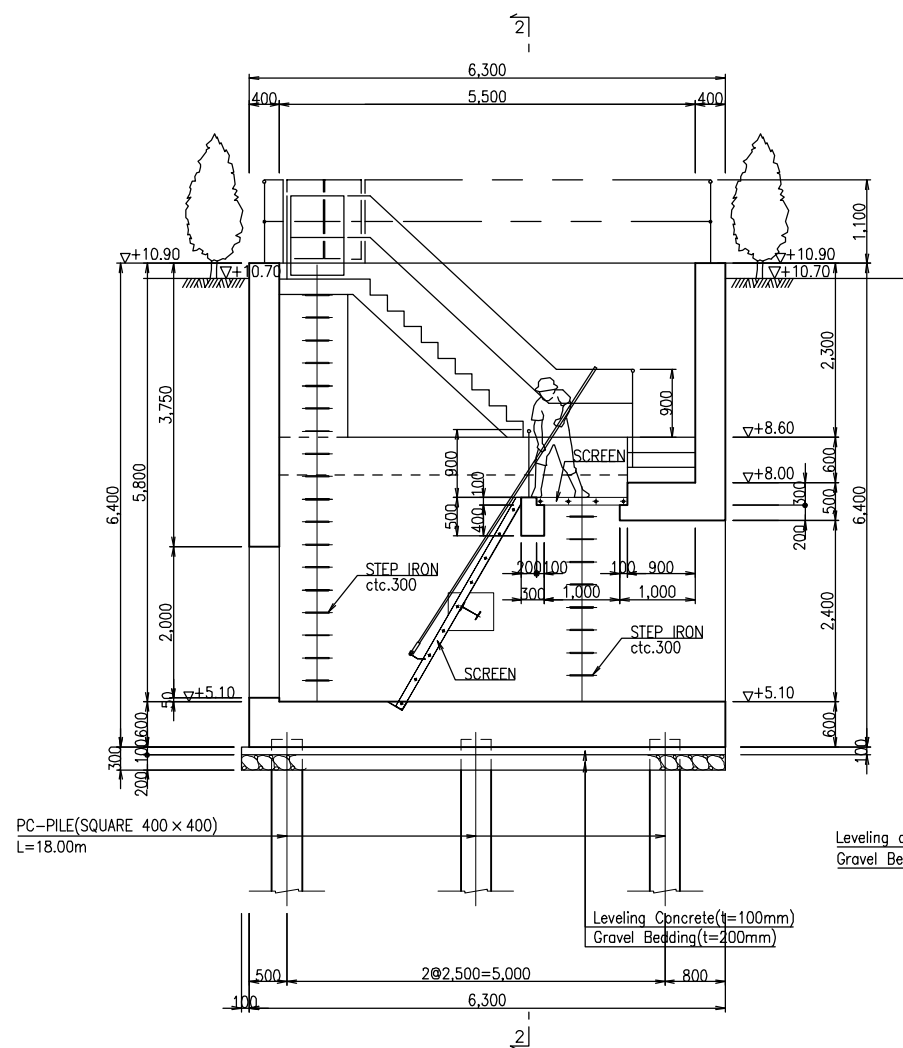
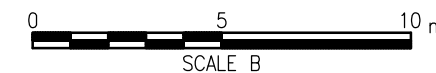
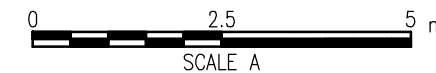
Section B-B



Roof Plan

# Pump O&M House

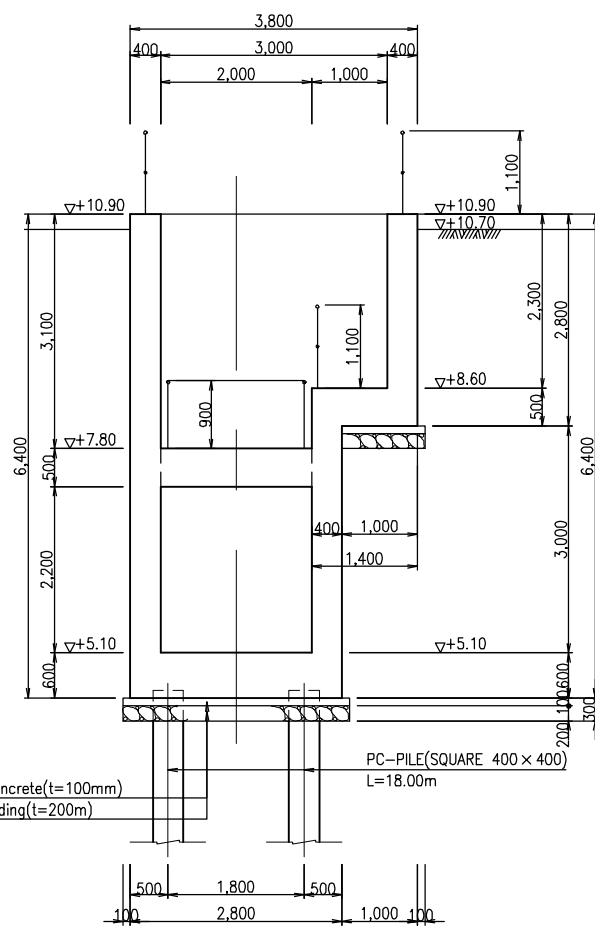
Scale B



Section 1 - 1

## Screen Pit

Scale A



Section 2 - 2

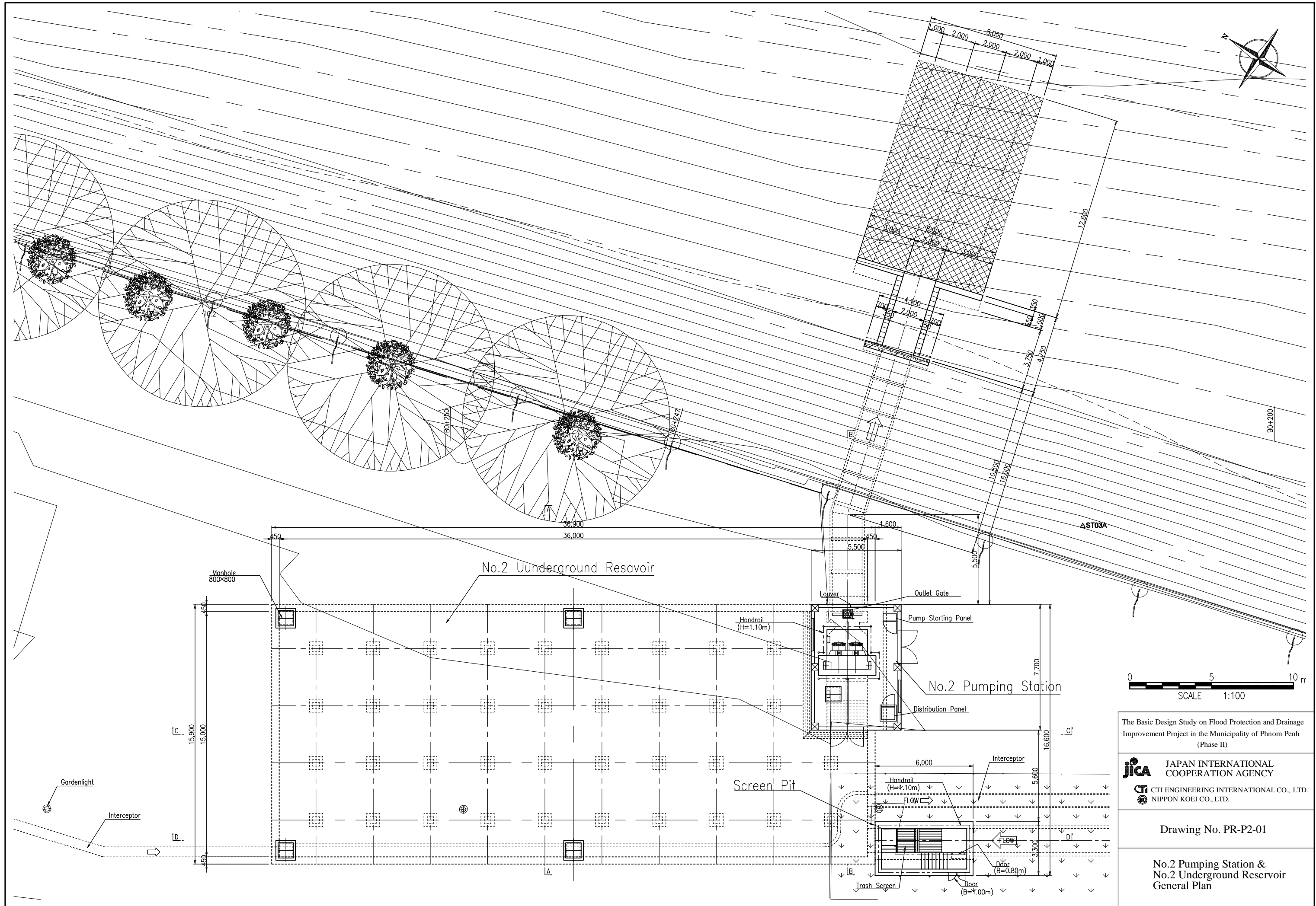
The Basic Design Study on Flood Protection and Drainage Improvement Project in the Municipality of Phnom Penh (Phase II)

**JICA** JAPAN INTERNATIONAL COOPERATION AGENCY

**CTI** CTI ENGINEERING INTERNATIONAL CO., LTD.  
**NK** NIPPON KOEI CO., LTD.

Drawing No. PR-P1-05

No.1 Pumping Station &  
 No.1 Underground Reservoir  
 Screen Pit and Pump O&M House



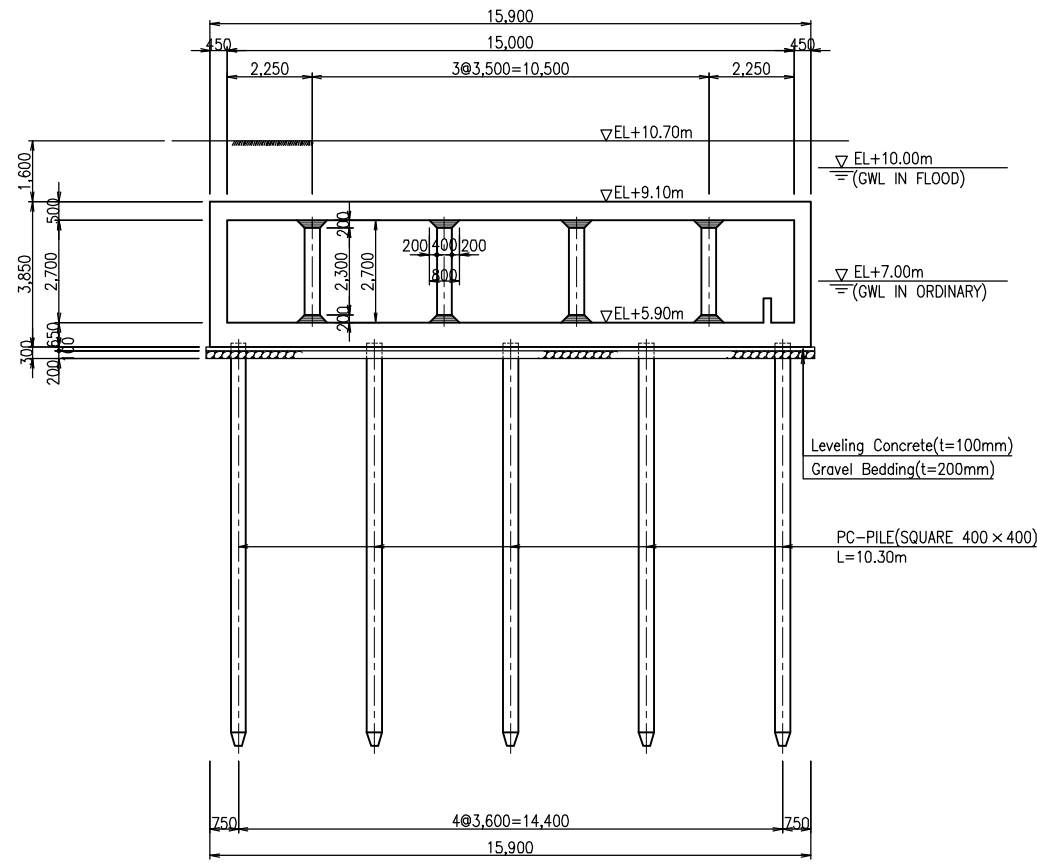
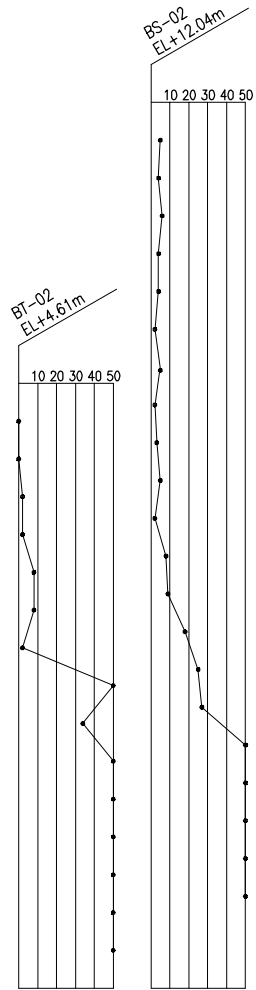
The Basic Design Study on Flood Protection and Drainage Improvement Project in the Municipality of Phnom Penh (Phase II)

**JICA** JAPAN INTERNATIONAL COOPERATION AGENCY  
**CTI** CTI ENGINEERING INTERNATIONAL CO., LTD.  
**NK** NIPPON KOEI CO., LTD.

Drawing No. PR-P2-01

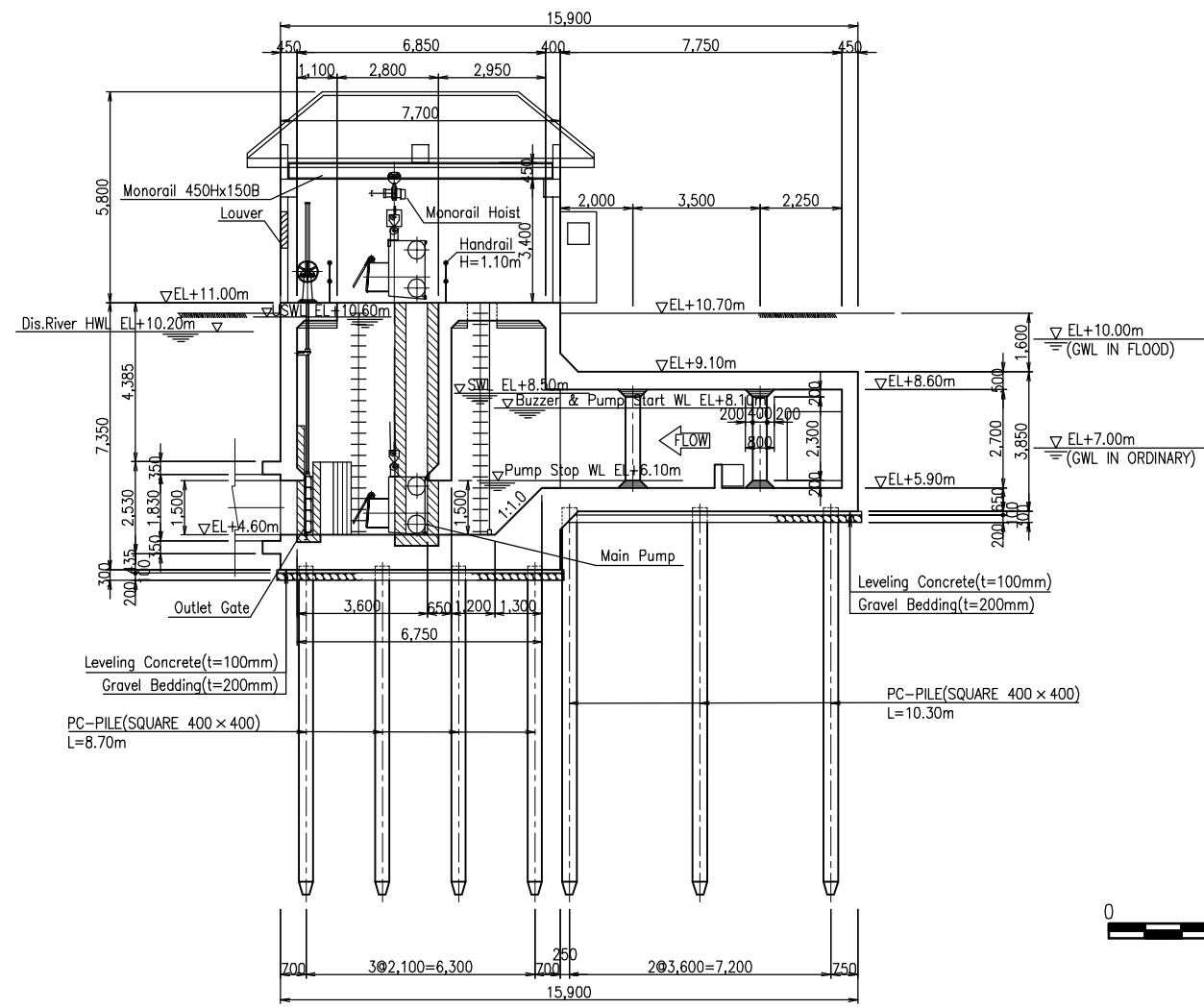
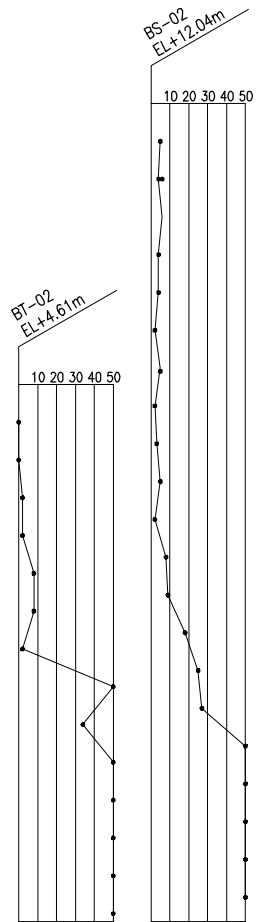
No.2 Pumping Station & No.2 Underground Reservoir General Plan

DL=0.00

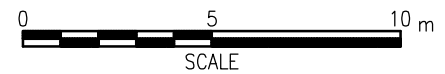


Section A - A

DL=0.00



Section B - B



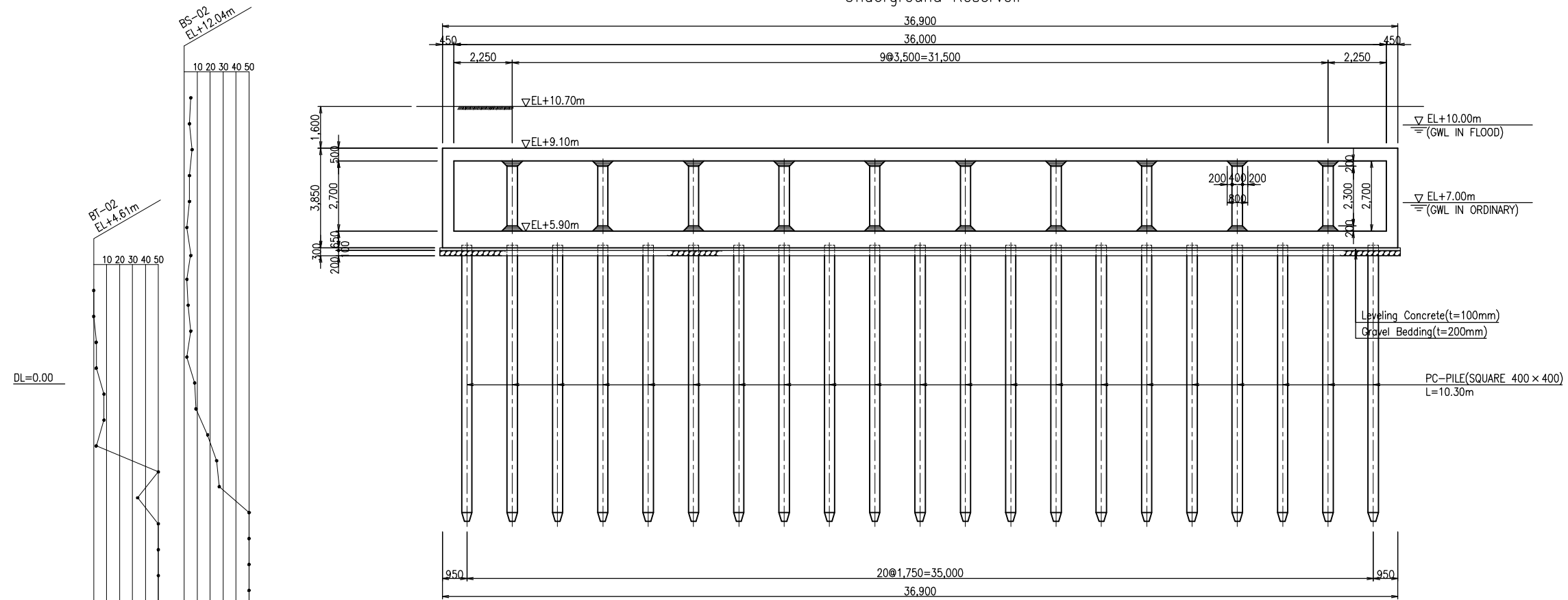
The Basic Design Study on Flood Protection and Drainage Improvement Project in the Municipality of Phnom Penh (Phase II)

**JICA** JAPAN INTERNATIONAL COOPERATION AGENCY  
**CTI** CTI ENGINEERING INTERNATIONAL CO., LTD.  
**NK** NIPPON KOEI CO., LTD.

Drawing No. PR-P2-02

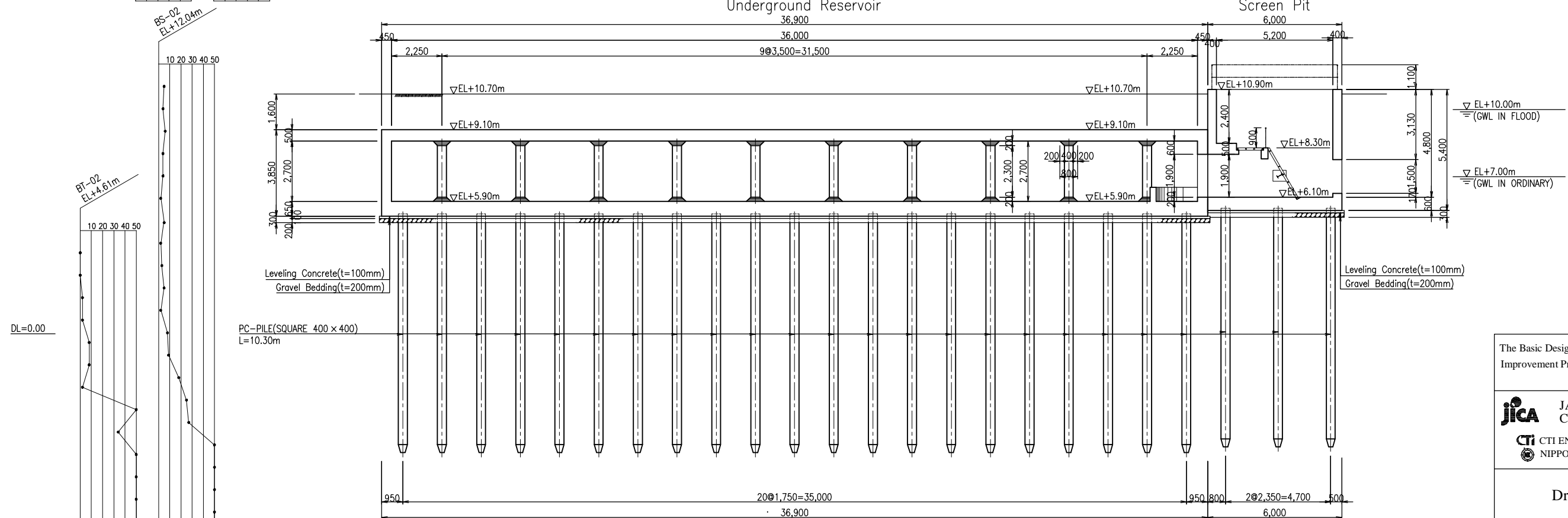
No.2 Pumping Station & No.2 Underground Reservoir Typical Sections (1/2)

Underground Reservoir

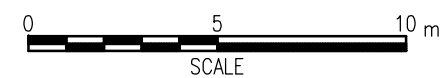


Section C - C

Underground Reservoir



Section D - D



The Basic Design Study on Flood Protection and Drainage Improvement Project in the Municipality of Phnom Penh (Phase II)

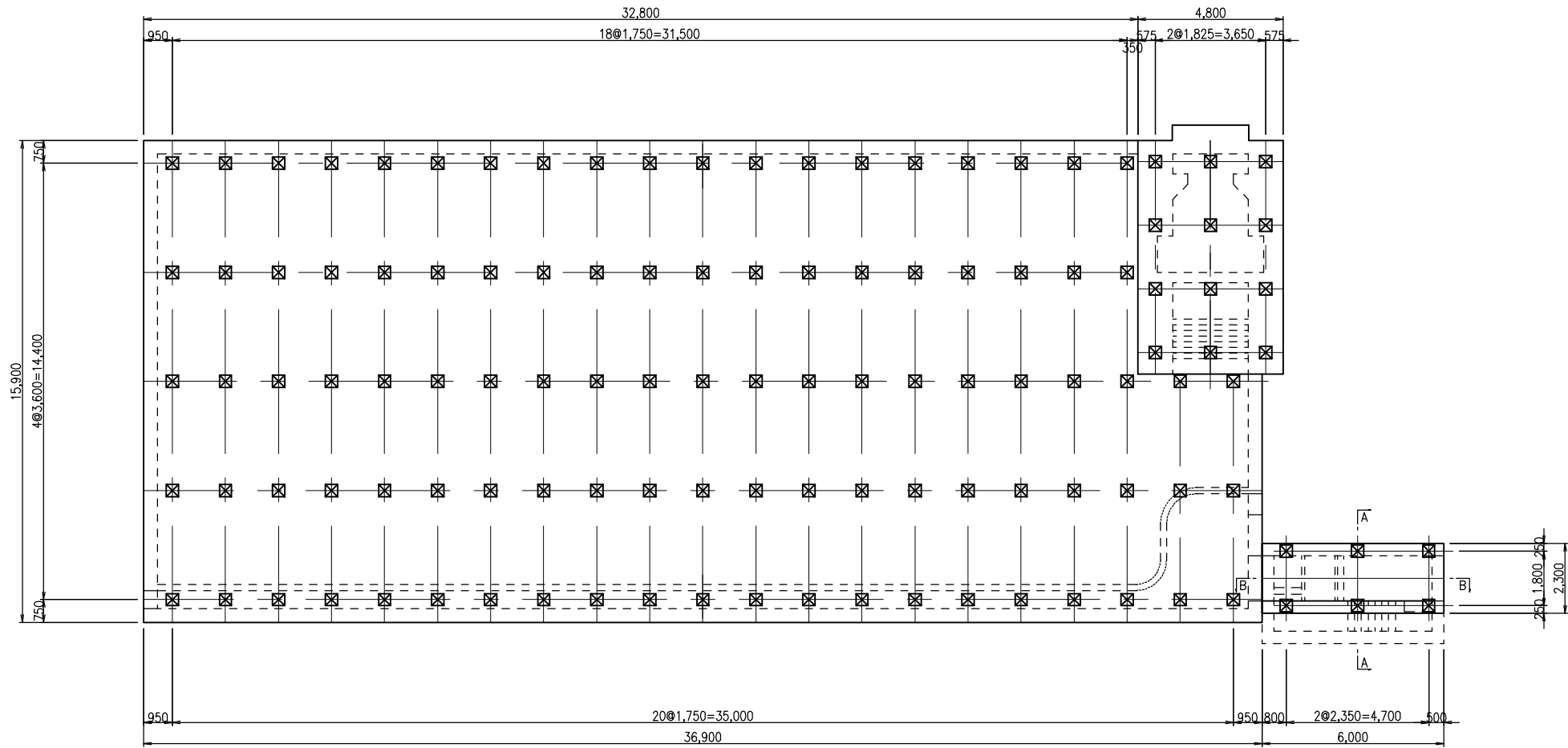
**JICA** JAPAN INTERNATIONAL COOPERATION AGENCY

**CTI** CTI ENGINEERING INTERNATIONAL CO., LTD.  
**NK** NIPPON KOEI CO., LTD.

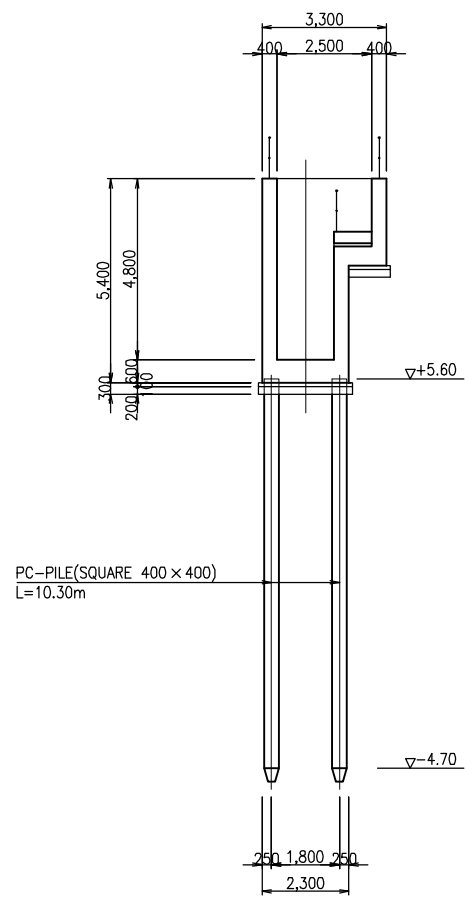
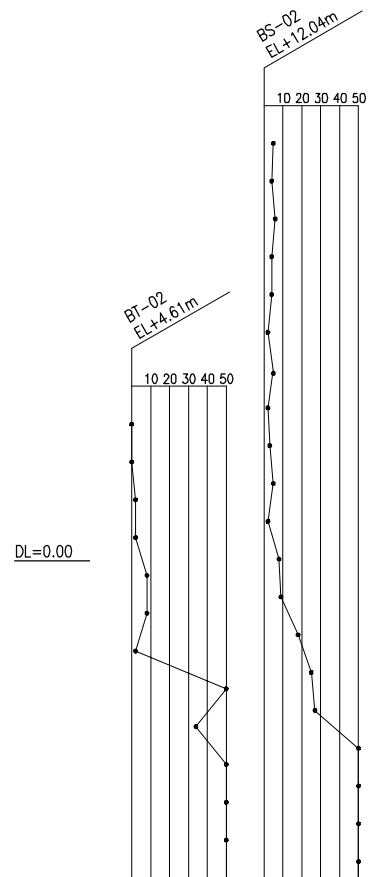
Drawing No. PR-P2-03

No.2 Pumping Station & No.2 Underground Reservoir Typical Sections (2/2)

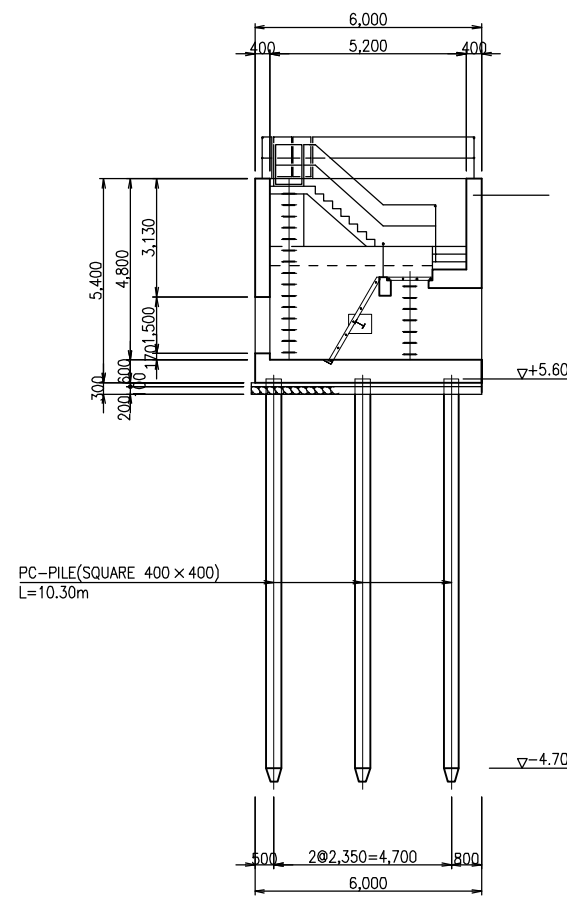




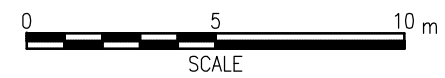
Plan



Section A - A



Section B - B

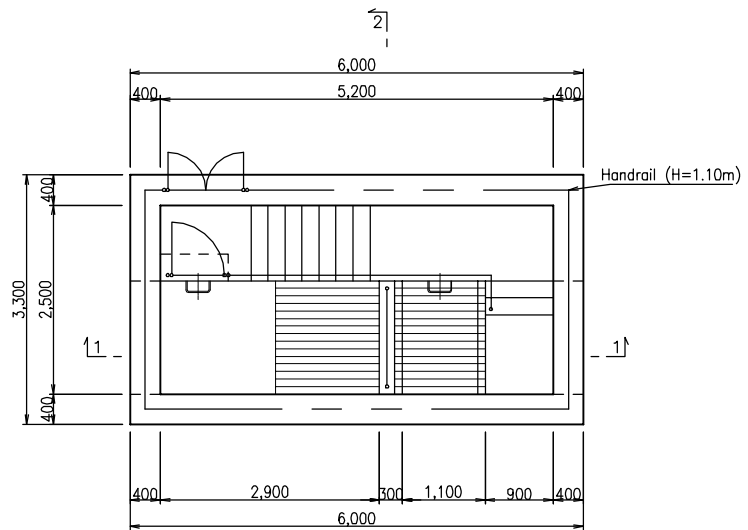


The Basic Design Study on Flood Protection and Drainage Improvement Project in the Municipality of Phnom Penh (Phase II)

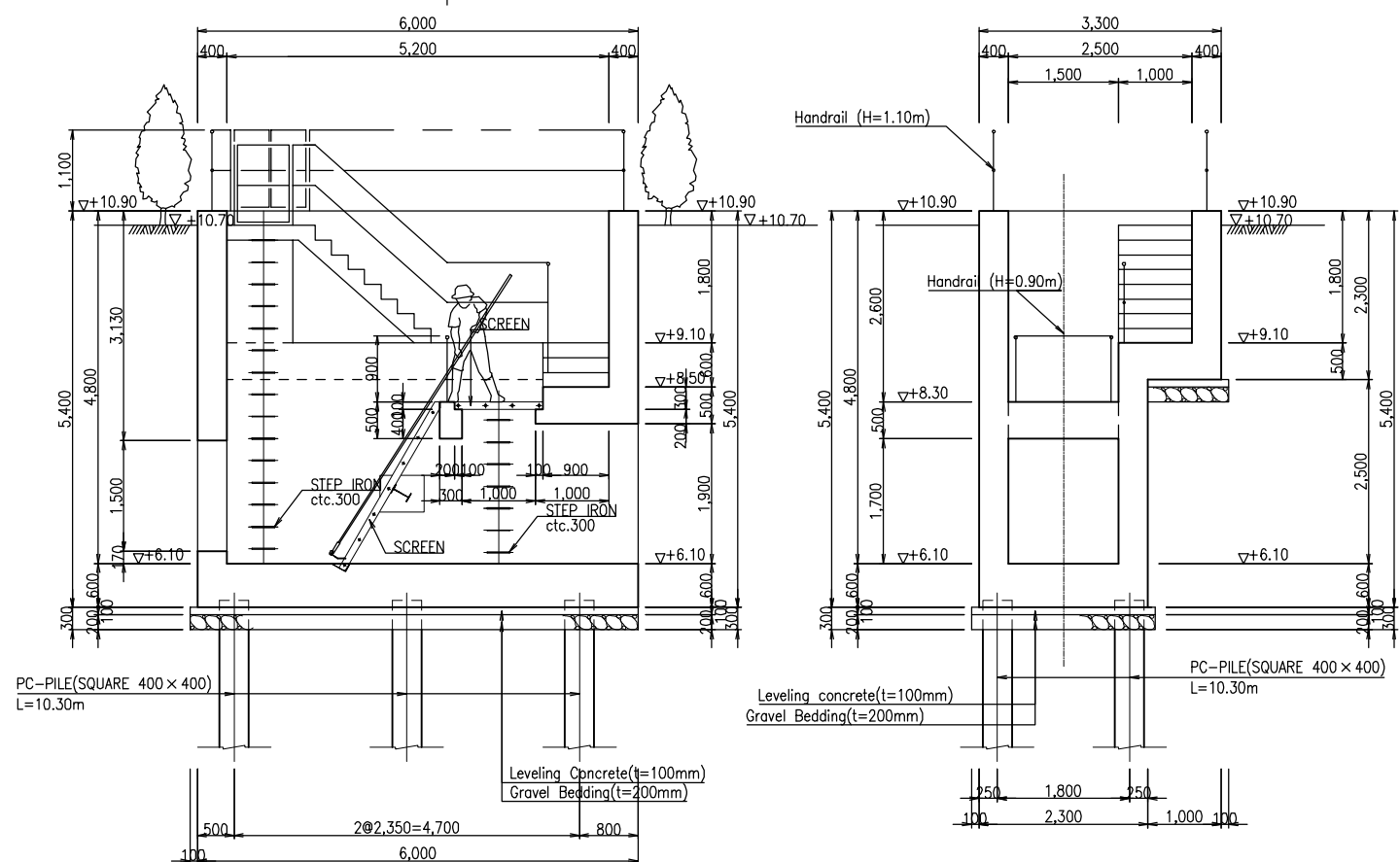
**JICA** JAPAN INTERNATIONAL COOPERATION AGENCY  
**CTI** CTI ENGINEERING INTERNATIONAL CO., LTD.  
**NK** NIPPON KOEI CO., LTD.

Drawing No. PR-P2-04

No.2 Pumping Station & No.2 Underground Reservoir Layout of Foundation Pile



PLAN

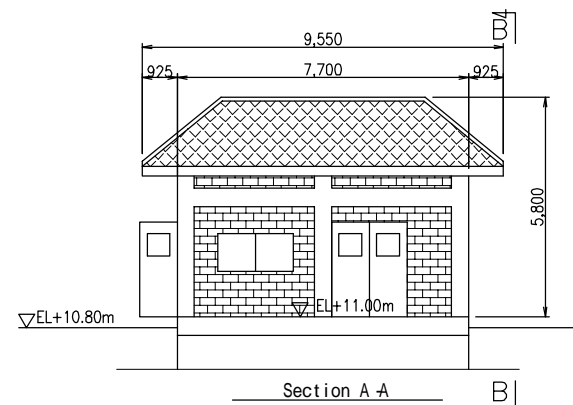


Section 1 - 1

Section 2 - 2

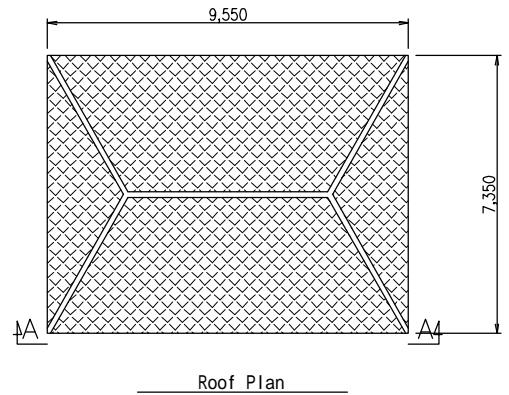
Screen Pit

Scale A



Section A - A

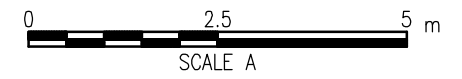
Section B - B



Roof Plan

Pump O&M House

Scale B



SCALE A



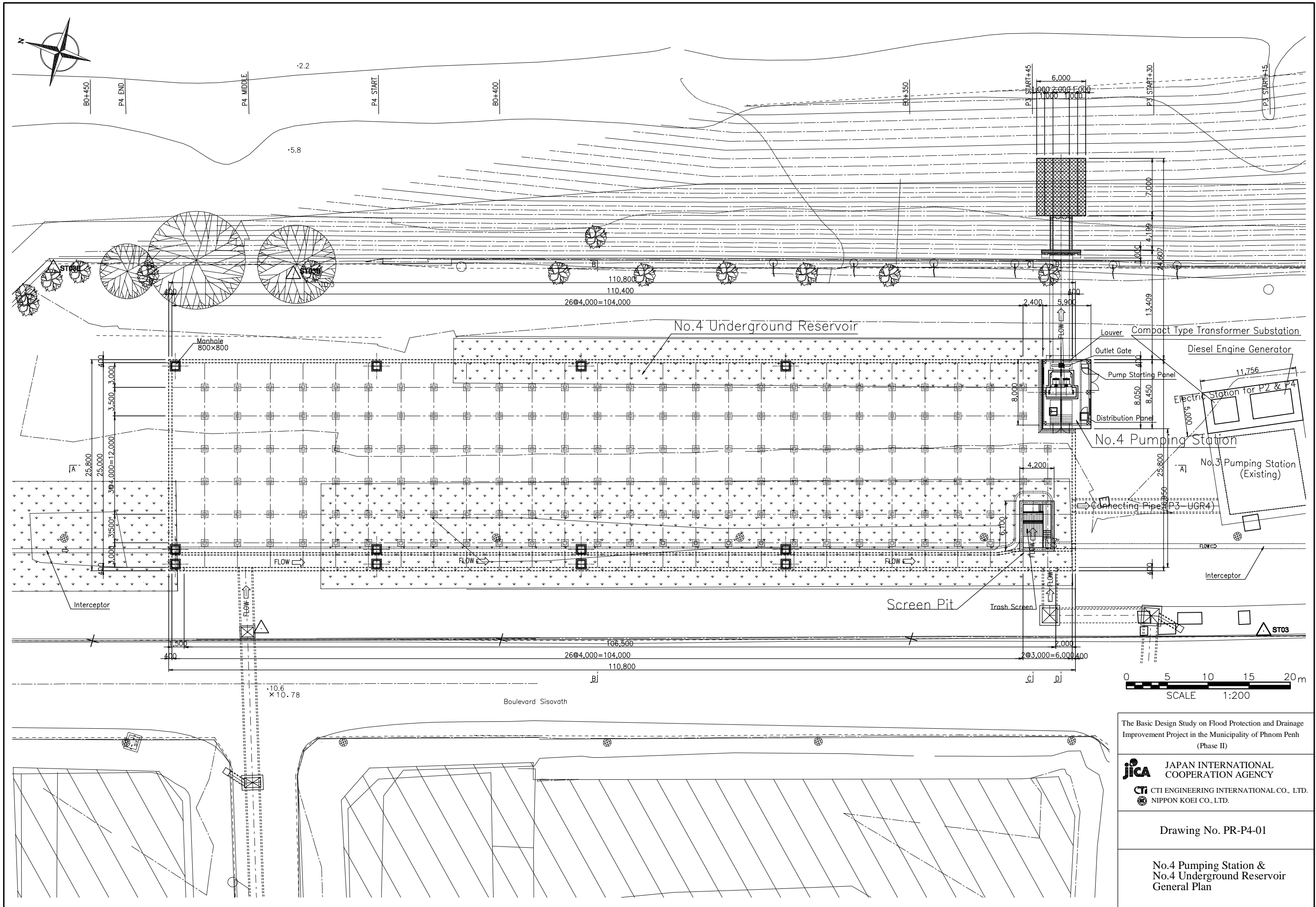
SCALE B

The Basic Design Study on Flood Protection and Drainage Improvement Project in the Municipality of Phnom Penh (Phase II)

**JICA** JAPAN INTERNATIONAL COOPERATION AGENCY  
**CTI** CTI ENGINEERING INTERNATIONAL CO., LTD.  
**NK** NIPPON KOEI CO., LTD.

Drawing No. PR-P2-05

No.2 Pumping Station & No.2 Underground Reservoir Screen Pit and Pump O&M House



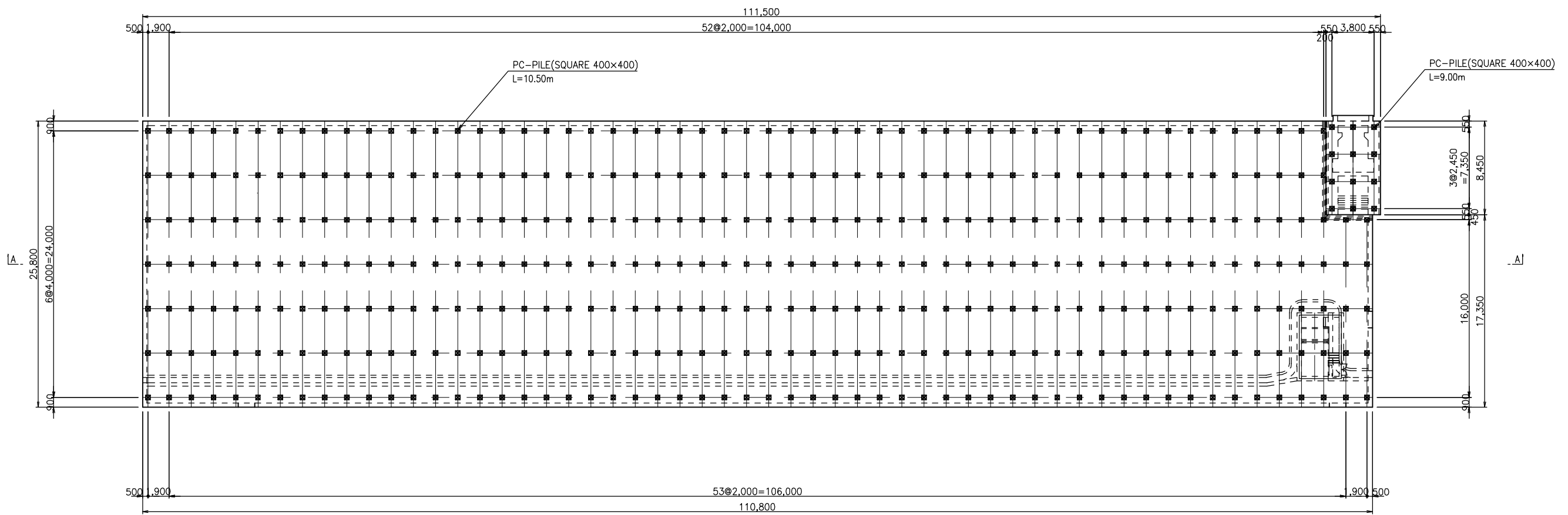
The Basic Design Study on Flood Protection and Drainage Improvement Project in the Municipality of Phnom Penh (Phase II)

**jica** JAPAN INTERNATIONAL COOPERATION AGENCY  
**CTI** CTI ENGINEERING INTERNATIONAL CO., LTD.  
**NK** NIPPON KOEI CO., LTD.

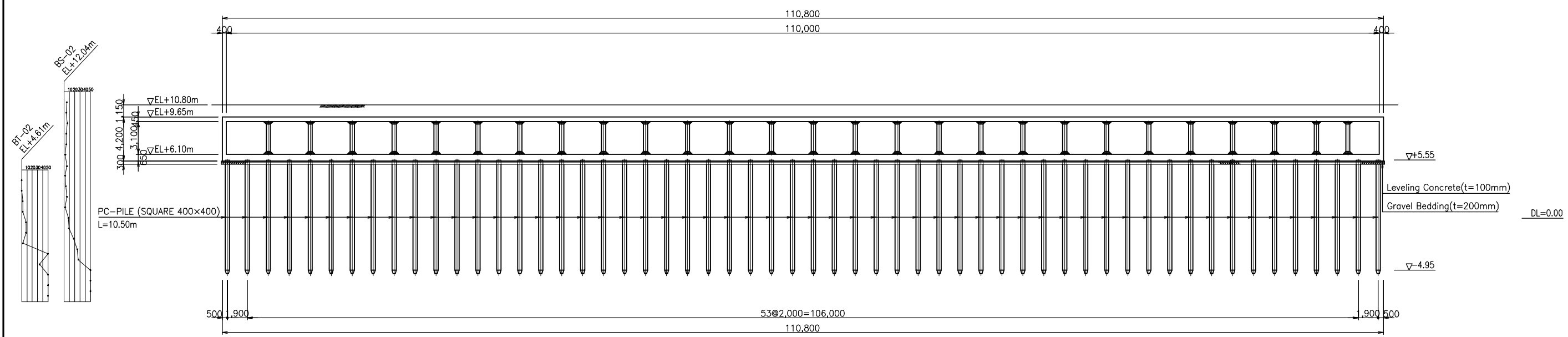
Drawing No. PR-P4-01

No.4 Pumping Station & No.4 Underground Reservoir General Plan

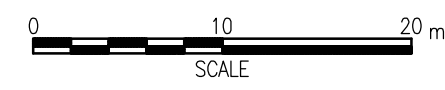




PLAN



Section A - A

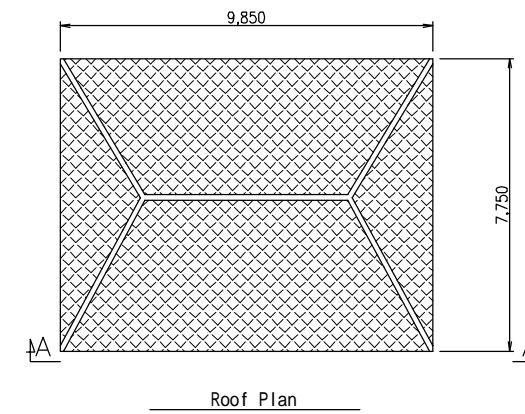
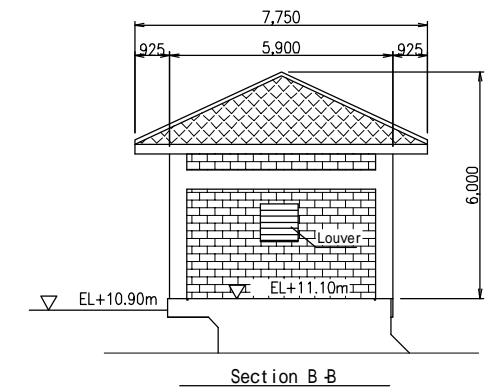
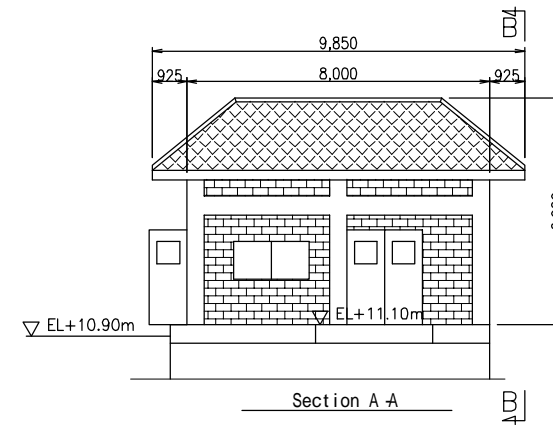
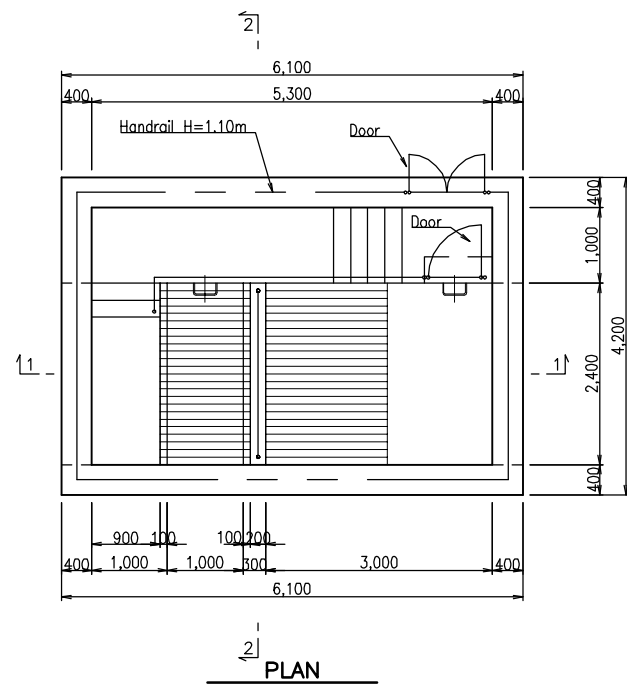


The Basic Design Study on Flood Protection and Drainage Improvement Project in the Municipality of Phnom Penh (Phase II)

**JICA** JAPAN INTERNATIONAL COOPERATION AGENCY  
**CTI** CTI ENGINEERING INTERNATIONAL CO., LTD.  
**NK** NIPPON KOEI CO., LTD.

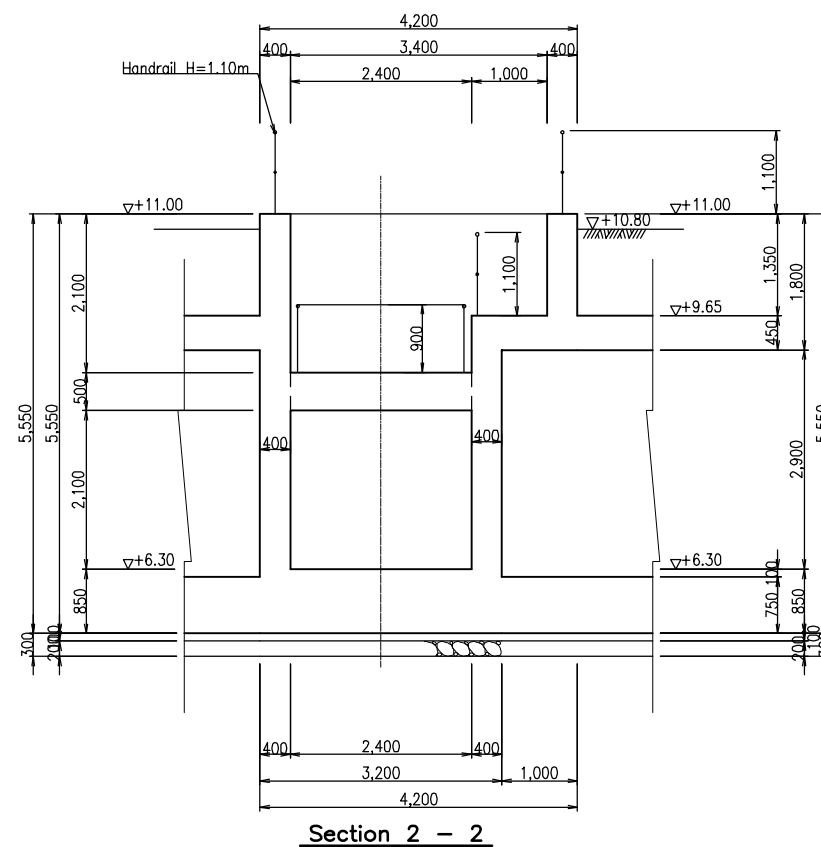
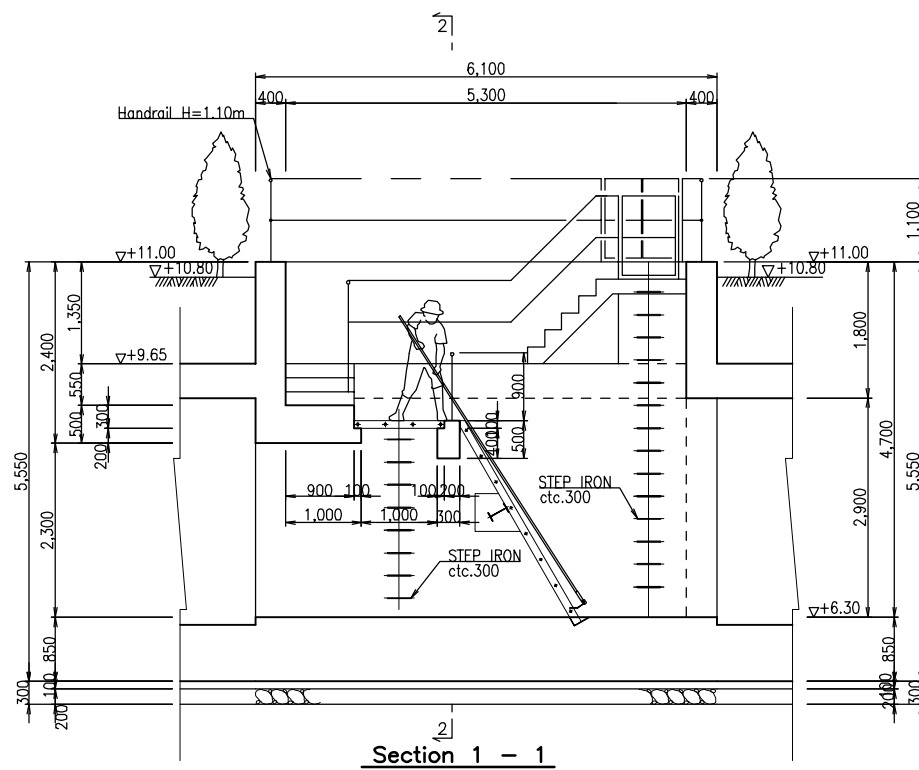
Drawing No. PR-P4-03

No.4 Pumping Station & No.4 Underground Reservoir Layout of Foundation Pile



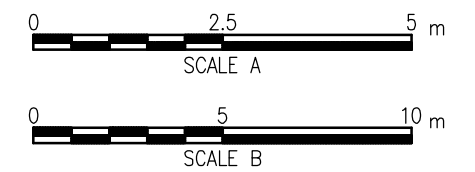
# Pump O&M House

Scale B



## Screen Pit

Scale A



The Basic Design Study on Flood Protection and Drainage Improvement Project in the Municipality of Phnom Penh (Phase II)

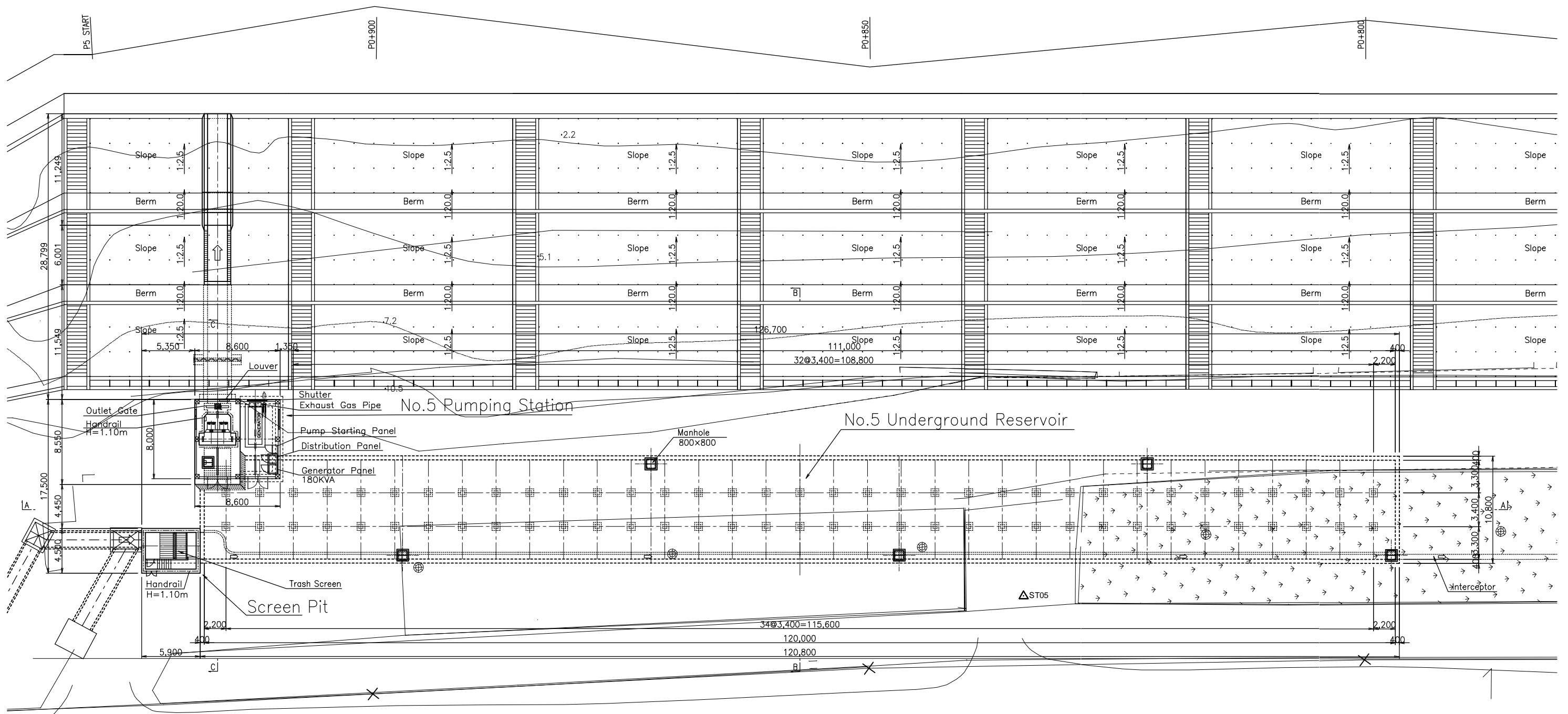
**JICA** JAPAN INTERNATIONAL COOPERATION AGENCY  
**CTI** CTI ENGINEERING INTERNATIONAL CO., LTD.  
**NK** NIPPON KOEI CO., LTD.

Drawing No. PR-P4-04

No.4 Pumping Station & No.4 Underground Reservoir Screen Pit and Pump O&M House



TONLE SAP

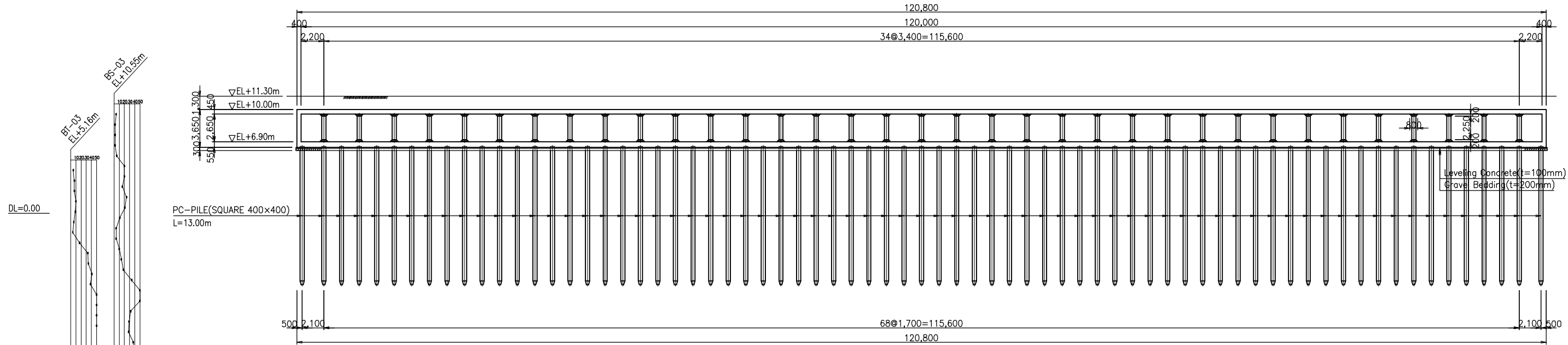


The Basic Design Study on Flood Protection and Drainage Improvement Project in the Municipality of Phnom Penh (Phase II)

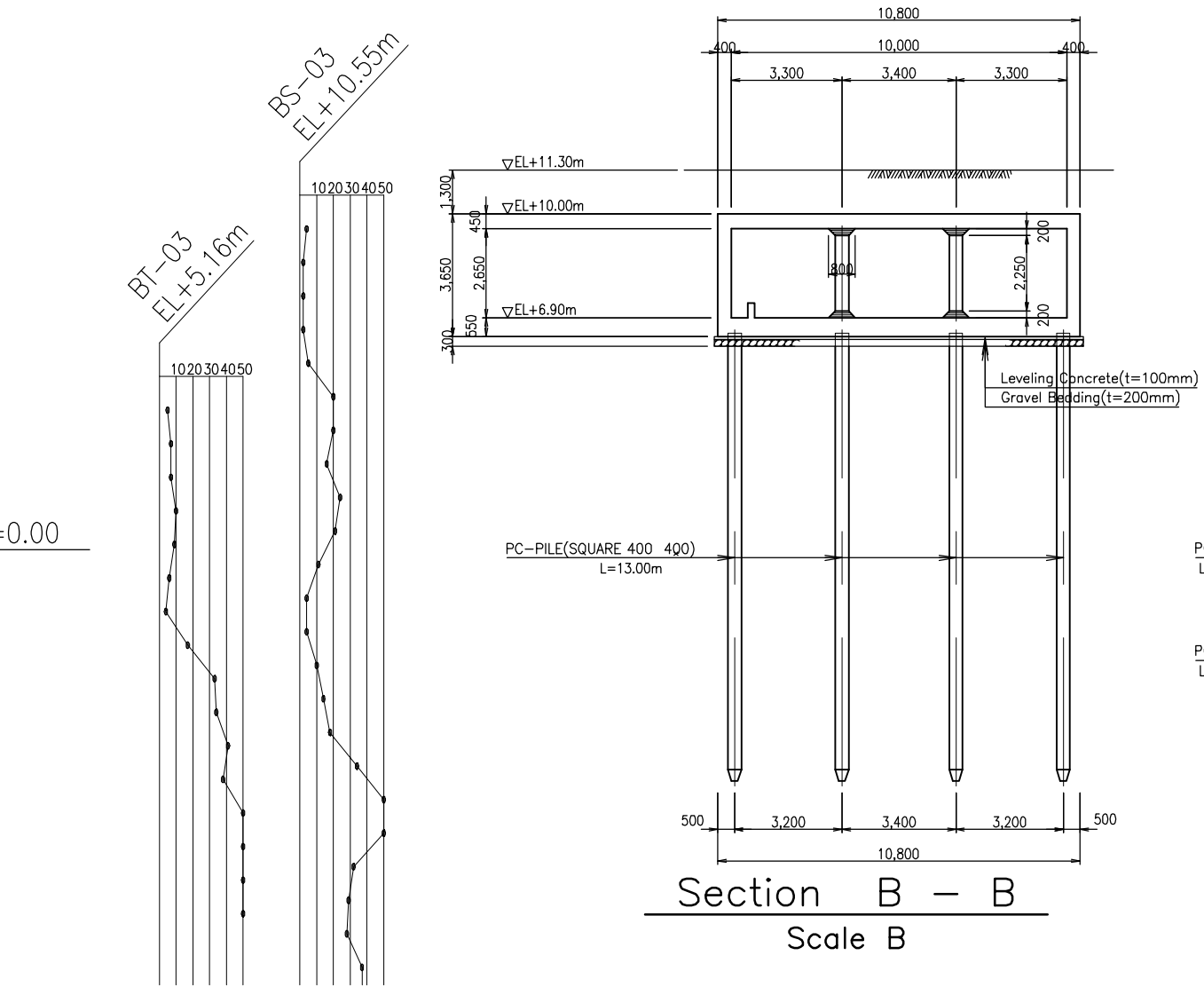
**JICA** JAPAN INTERNATIONAL COOPERATION AGENCY  
**CTI** CTI ENGINEERING INTERNATIONAL CO., LTD.  
**NK** NIPPON KOEI CO., LTD.

Drawing No. PR-P5-01

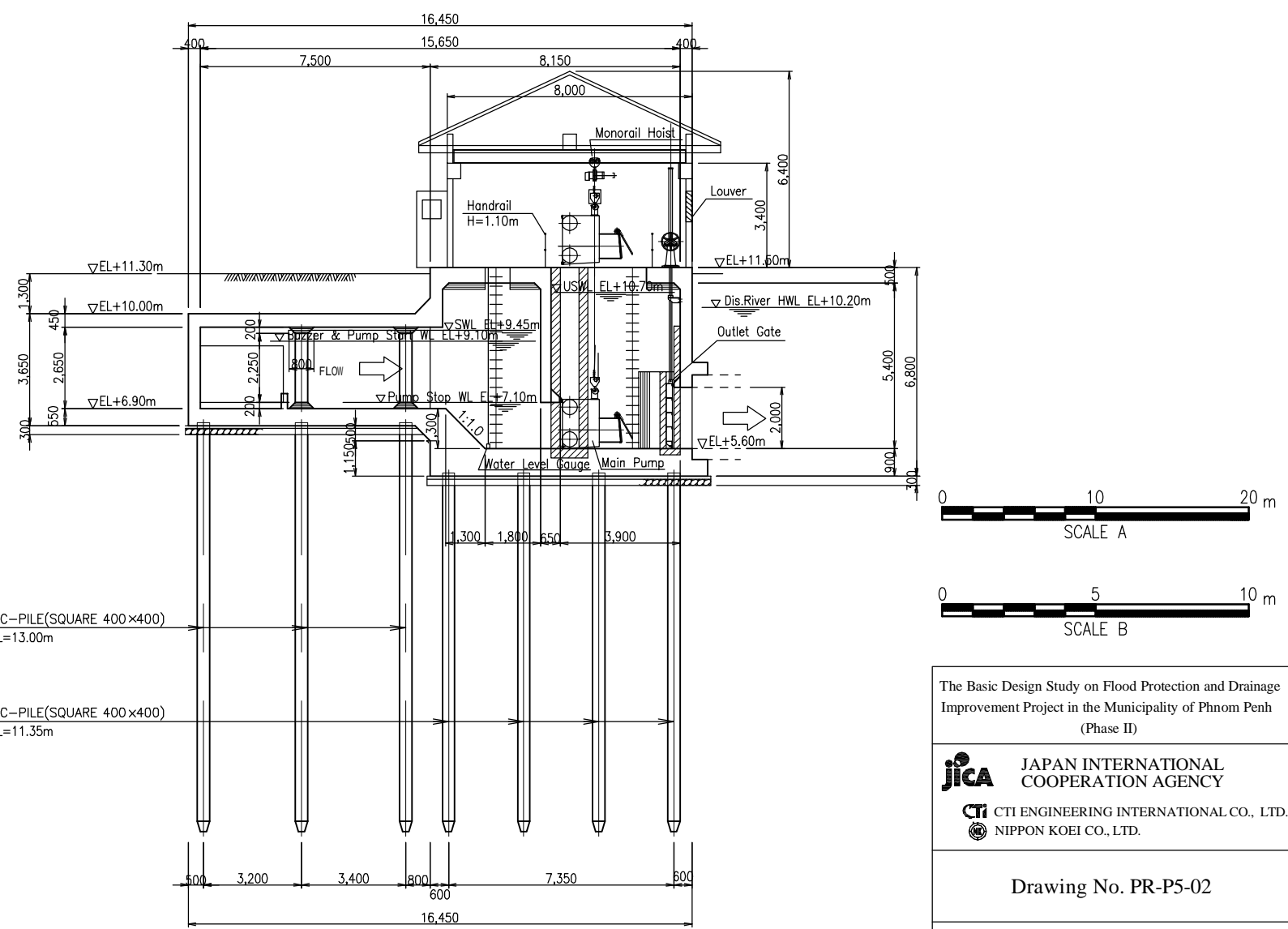
No.5 Pumping Station & No.5 Underground Reservoir General Plan



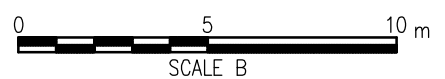
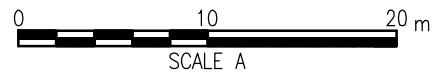
Section A - A  
Scale A



Section B - B  
Scale B



Section C - C  
Scale B



The Basic Design Study on Flood Protection and Drainage Improvement Project in the Municipality of Phnom Penh (Phase II)

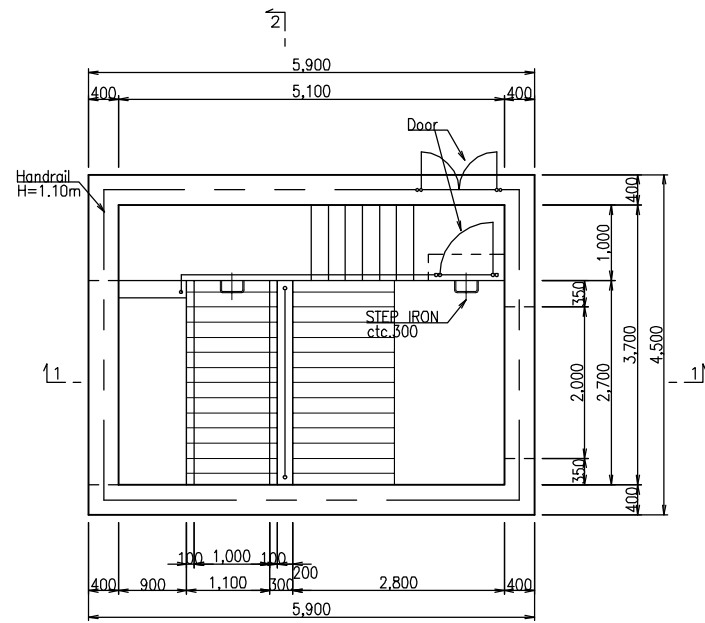
**JICA** JAPAN INTERNATIONAL COOPERATION AGENCY  
**CTI** CTI ENGINEERING INTERNATIONAL CO., LTD.  
**NIPPON KOEI CO., LTD.**

Drawing No. PR-P5-02

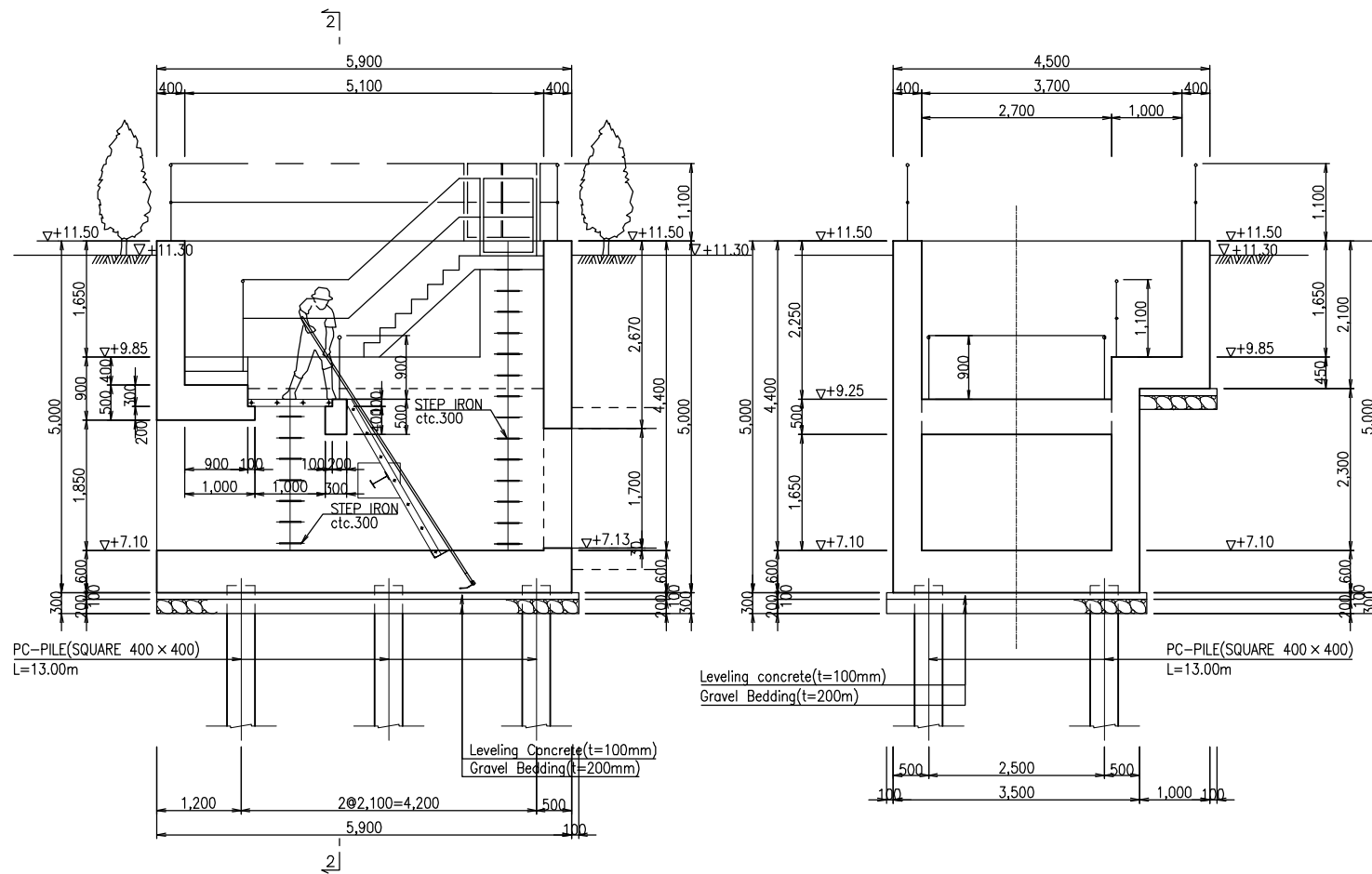
No.5 Pumping Station & No.5 Underground Reservoir Typical Sections







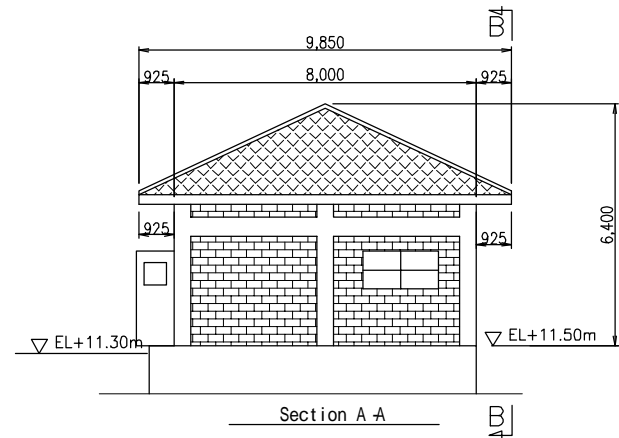
PLAN



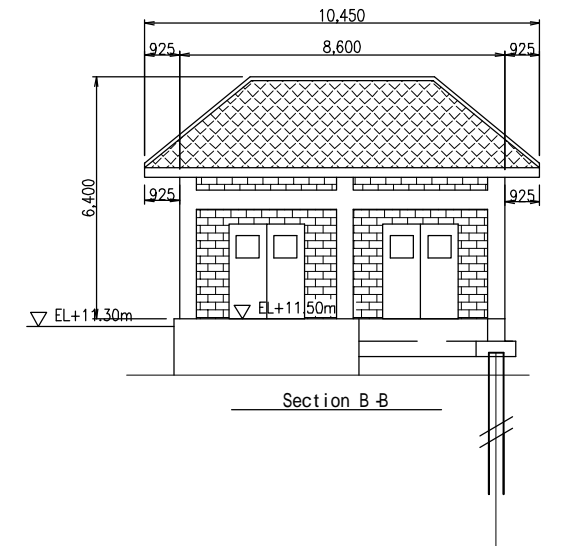
Section 1 - 1

Section 2 - 2

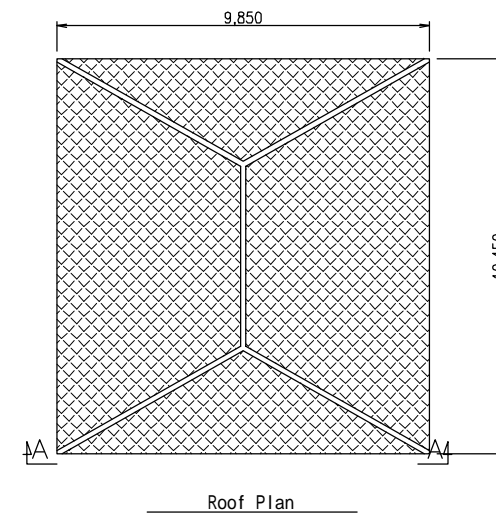
Screen Pit  
Scale A



Section A-A



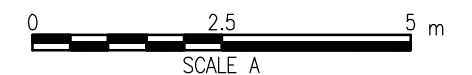
Section B-B



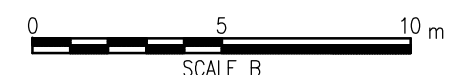
Roof Plan

## Pump O&M House

Scale B



SCALE A



SCALE B

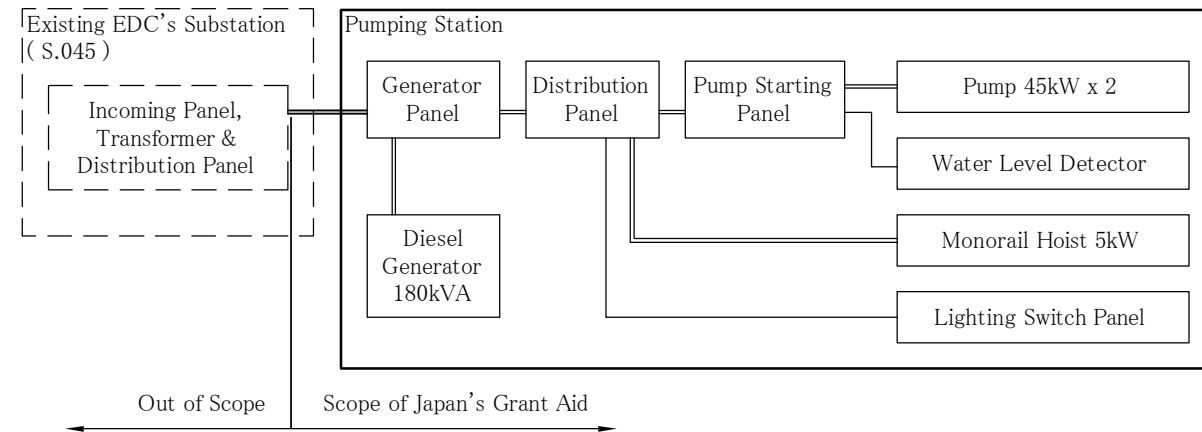
The Basic Design Study on Flood Protection and Drainage Improvement Project in the Municipality of Phnom Penh (Phase II)

**JICA** JAPAN INTERNATIONAL COOPERATION AGENCY  
**CTI** CTI ENGINEERING INTERNATIONAL CO., LTD.  
**NIPPON KOEI CO., LTD.**

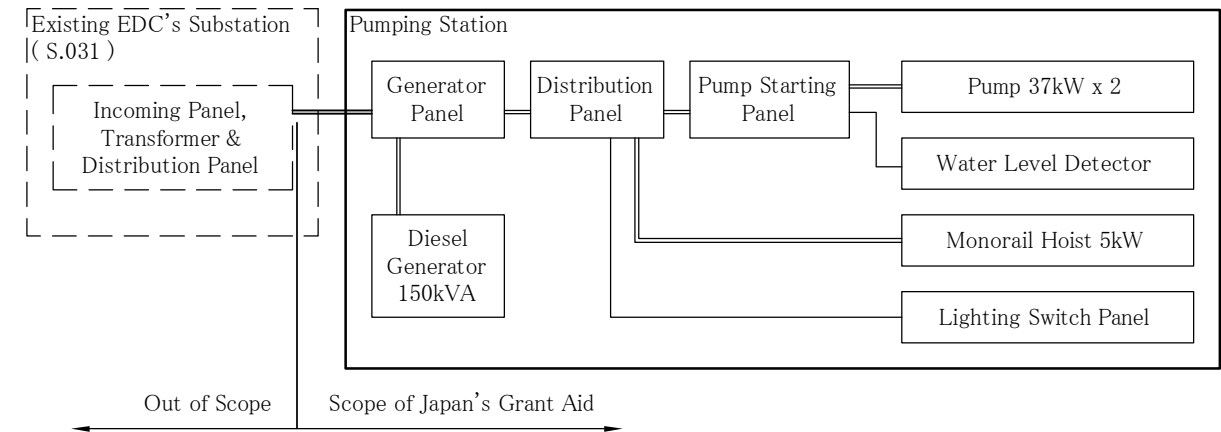
Drawing No. PR-P5-04

No.5 Pumping Station &  
 No.5 Underground Reservoir  
 Screen Pit and Pump O&M House

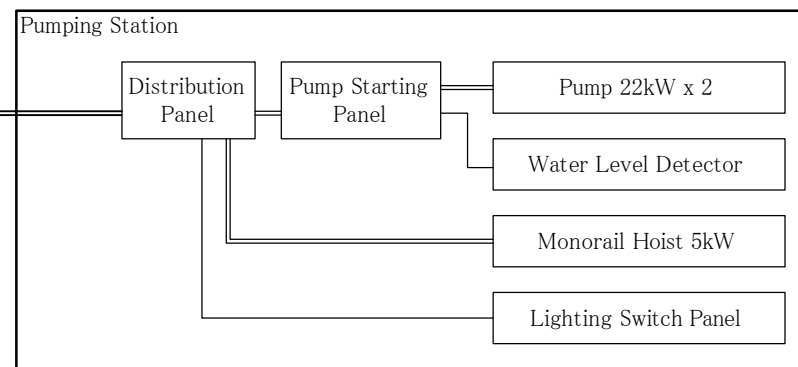
### No.1 Pumping Station (P1)



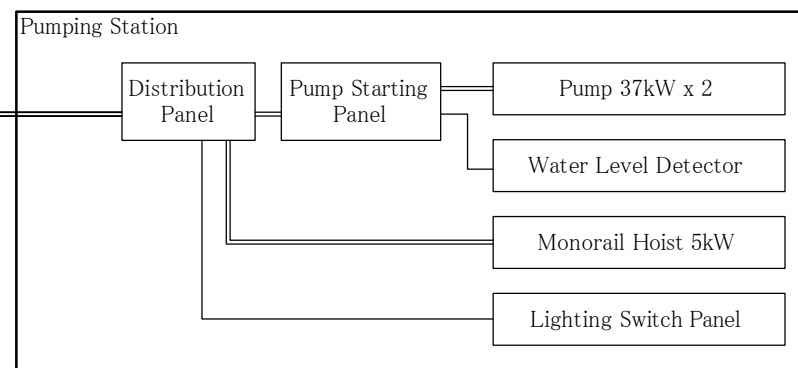
### No.5 Pumping Station (P5)



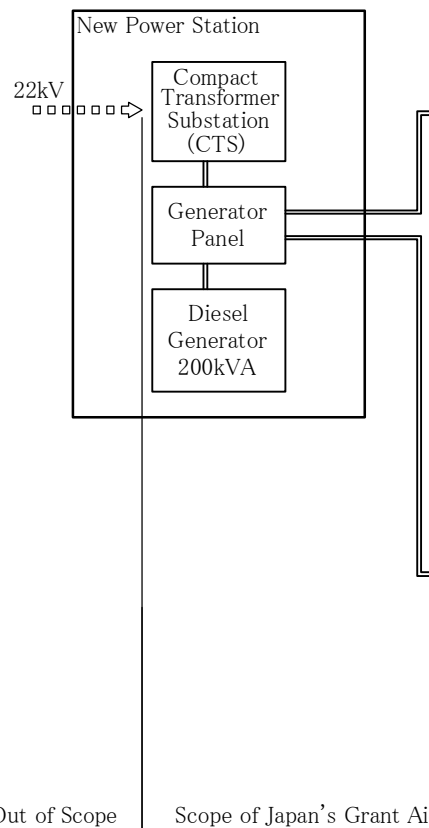
### No.2 Pumping Station (P2)



### No.4 Pumping Station (P4)



### No.3 Existing Pumping Station



# Wiring Flow Chart

The Basic Design Study on Flood Protection and Drainage Improvement Project in the Municipality of Phnom Penh (Phase II)

**jica** JAPAN INTERNATIONAL COOPERATION AGENCY  
**CTI** CTI ENGINEERING INTERNATIONAL CO., LTD.  
**NK** NIPPON KOEI CO., LTD.

Drawing No. PR-OT-01

Wiring Flow Chart