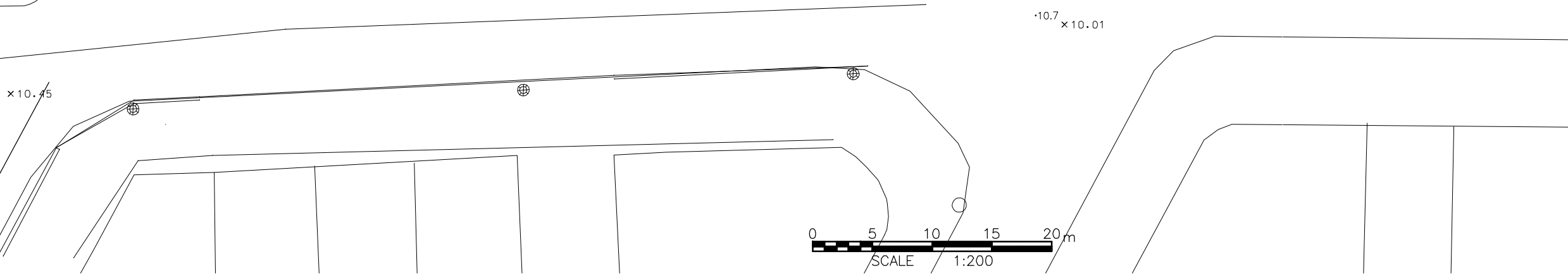
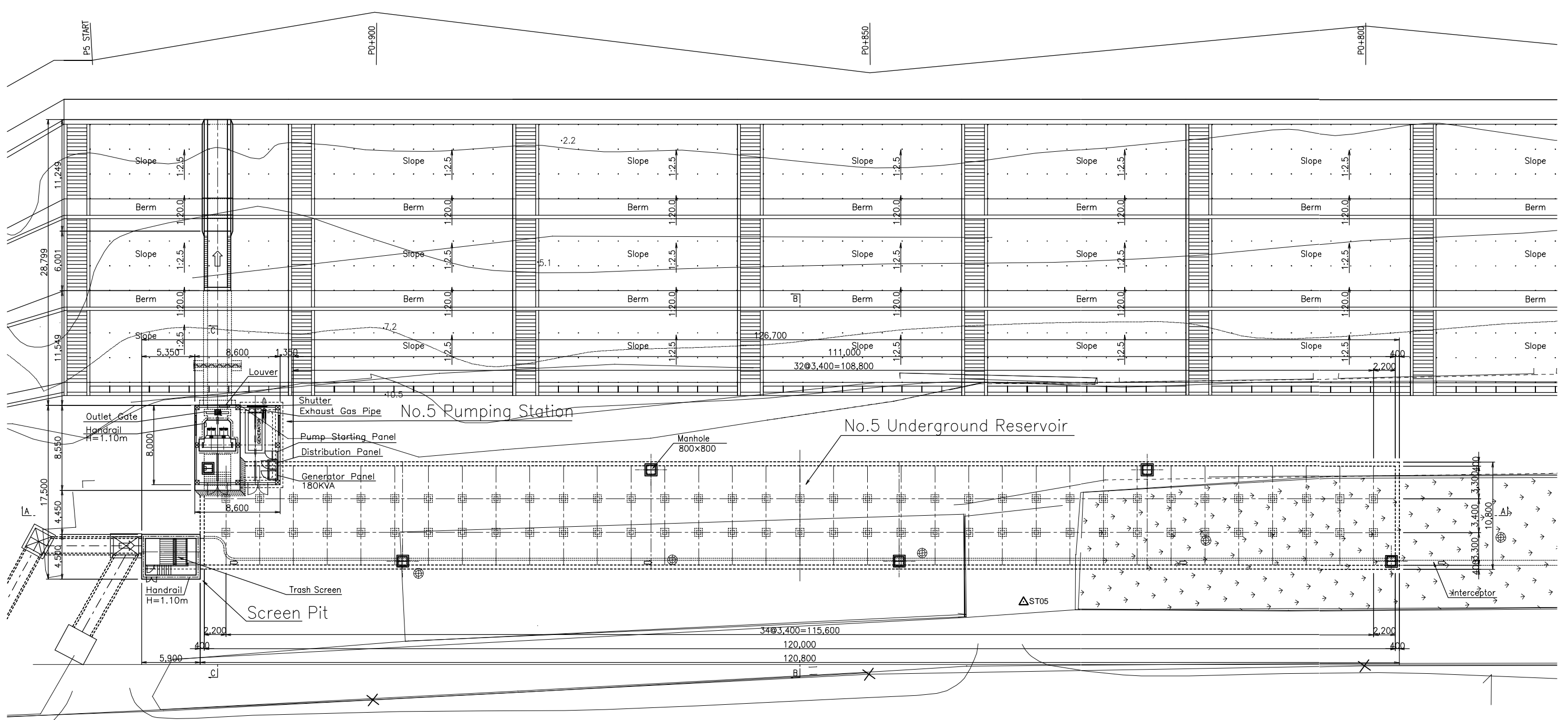




TONLE SAP

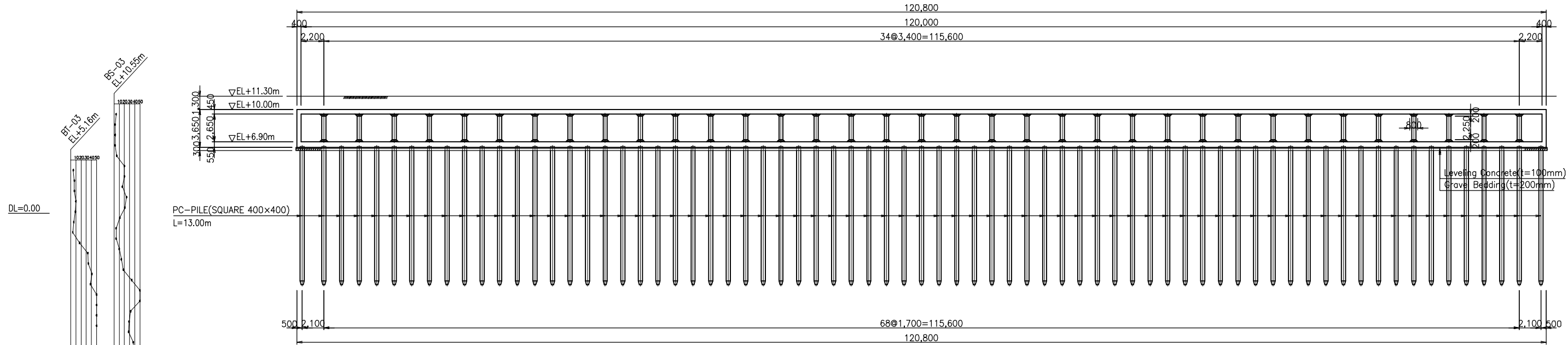


The Basic Design Study on Flood Protection and Drainage Improvement Project in the Municipality of Phnom Penh (Phase II)

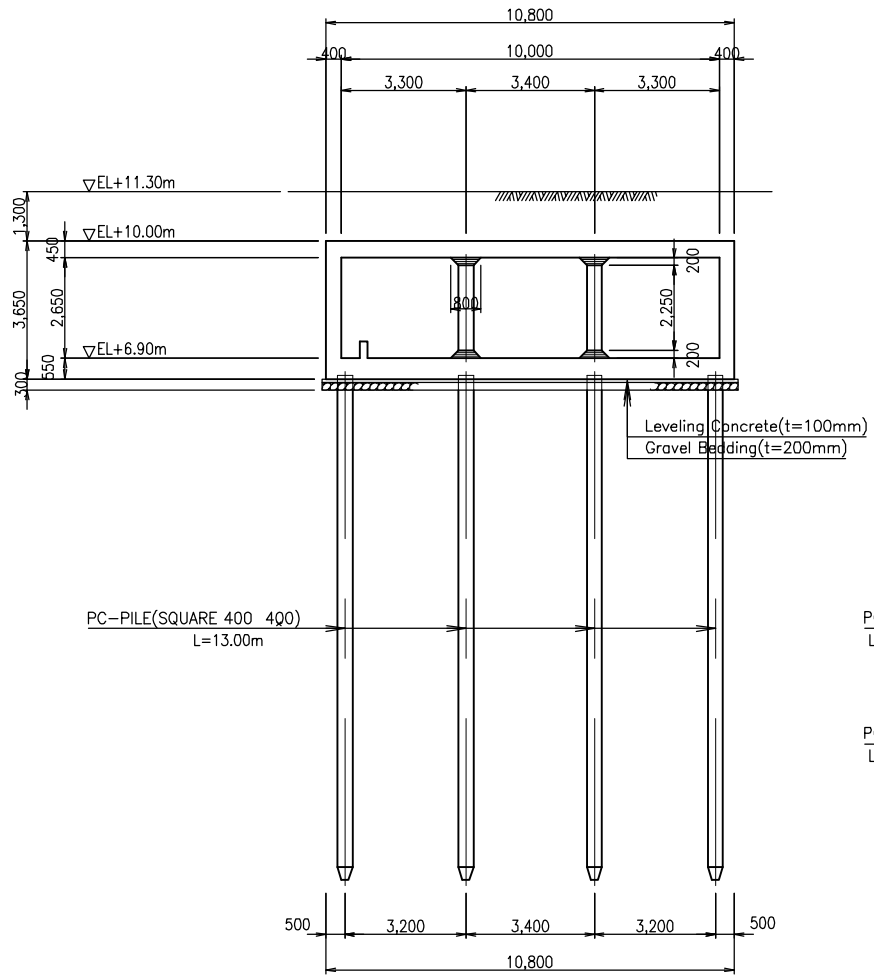
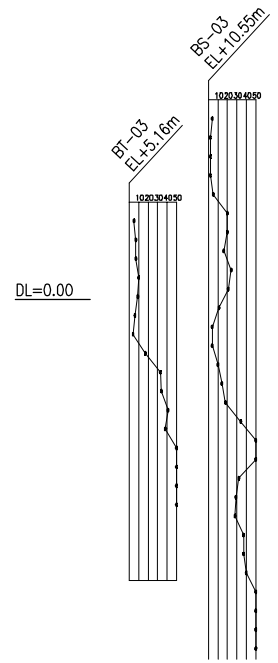
JICA JAPAN INTERNATIONAL COOPERATION AGENCY
CTI CTI ENGINEERING INTERNATIONAL CO., LTD.
NK NIPPON KOEI CO., LTD.

Drawing No. PR-P5-01

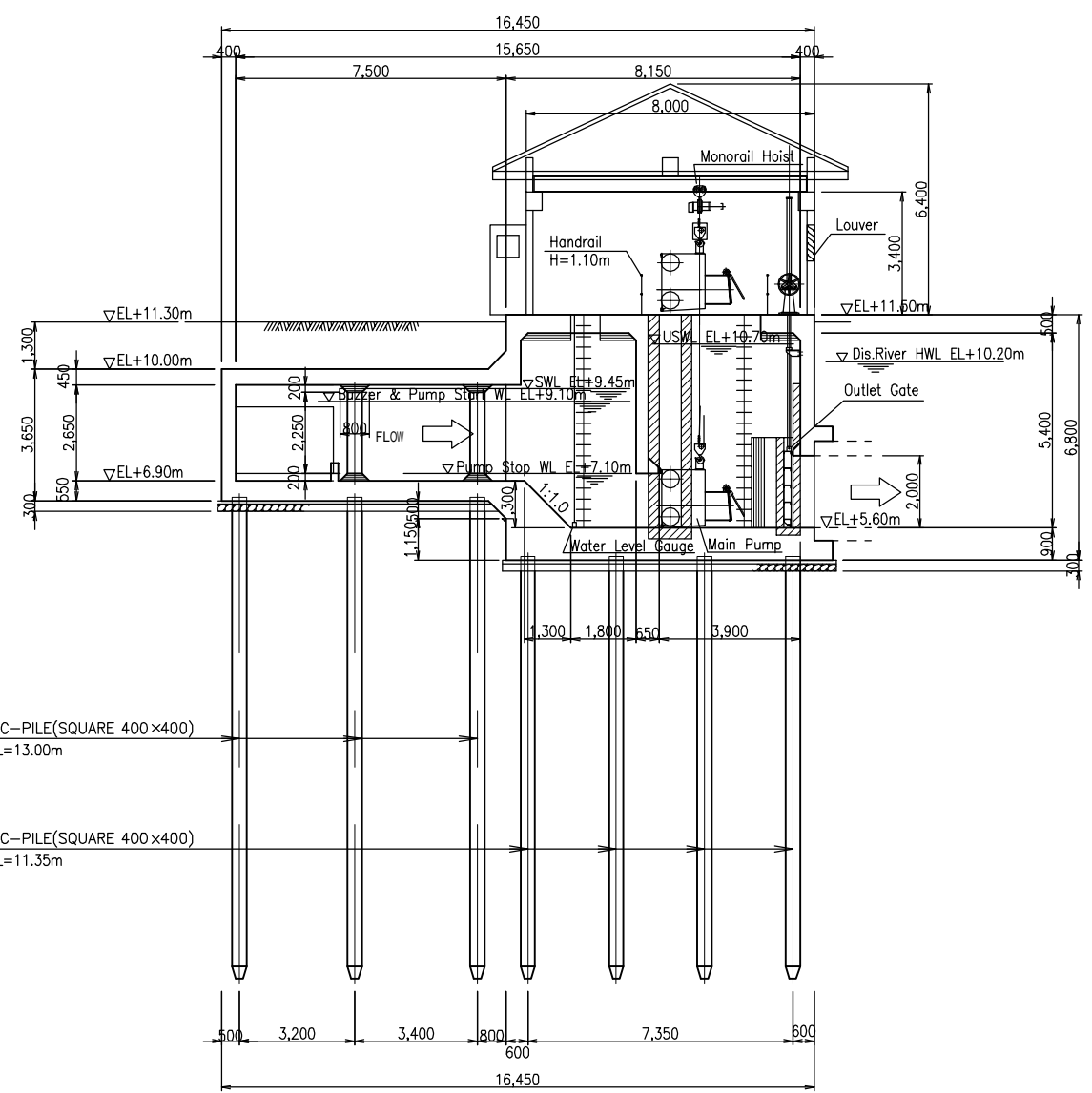
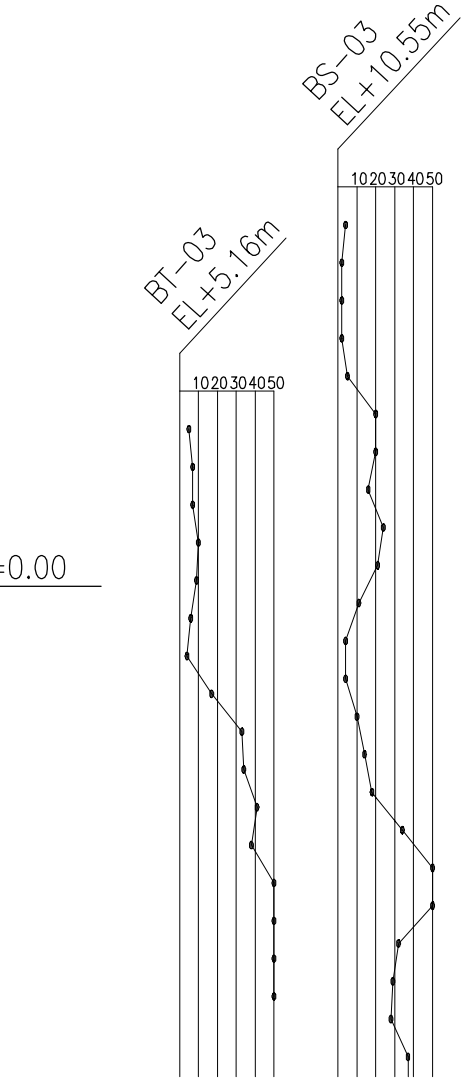
No.5 Pumping Station & No.5 Underground Reservoir General Plan



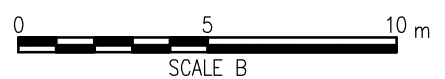
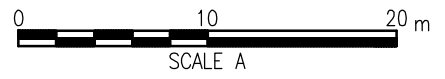
Section A - A
Scale A



Section B - B
Scale B



Section C - C
Scale B

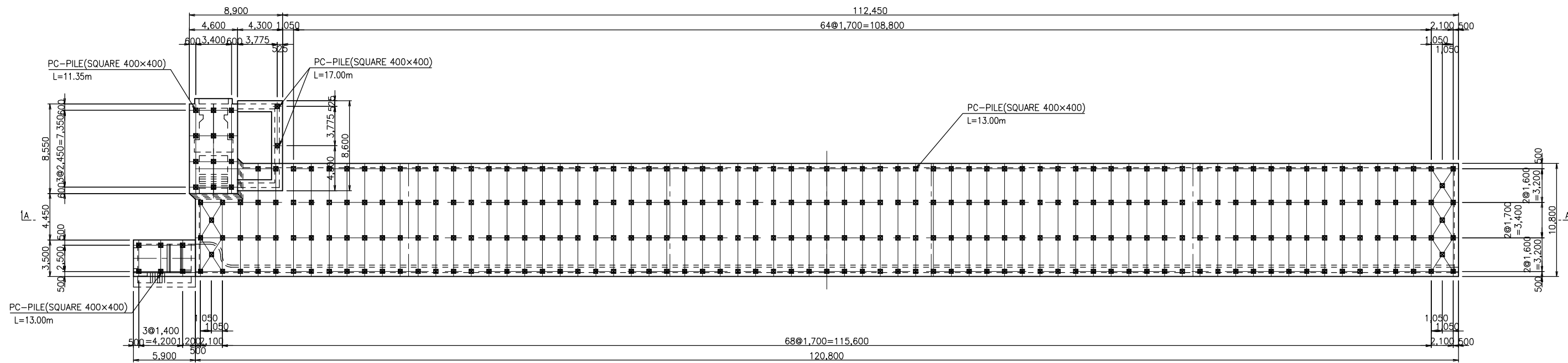


The Basic Design Study on Flood Protection and Drainage Improvement Project in the Municipality of Phnom Penh (Phase II)

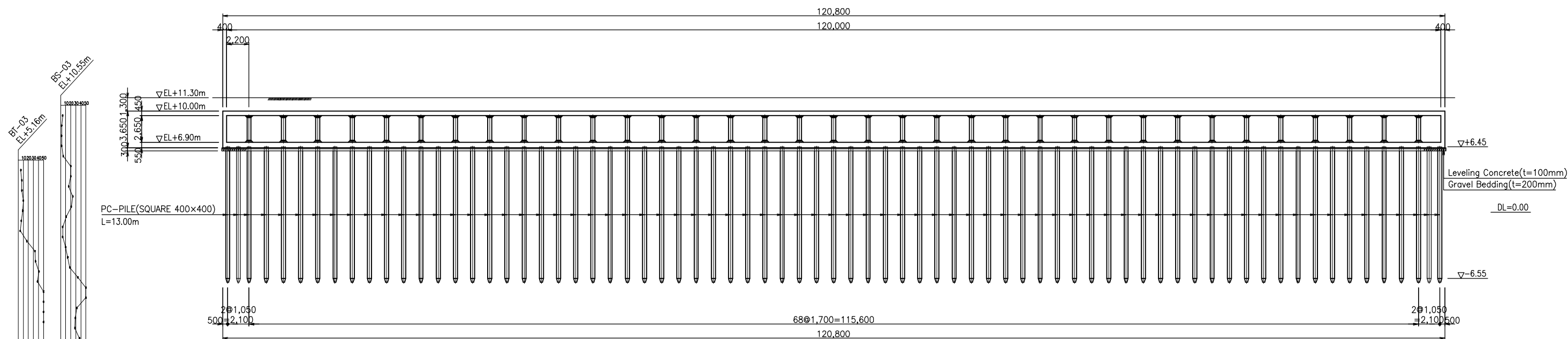
JICA JAPAN INTERNATIONAL COOPERATION AGENCY
CTI CTI ENGINEERING INTERNATIONAL CO., LTD.
NIPPO NIPPON KOEI CO., LTD.

Drawing No. PR-P5-02

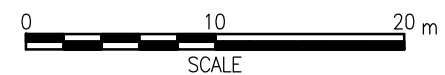
No.5 Pumping Station & No.5 Underground Reservoir Typical Sections



P L A N



Section A - A

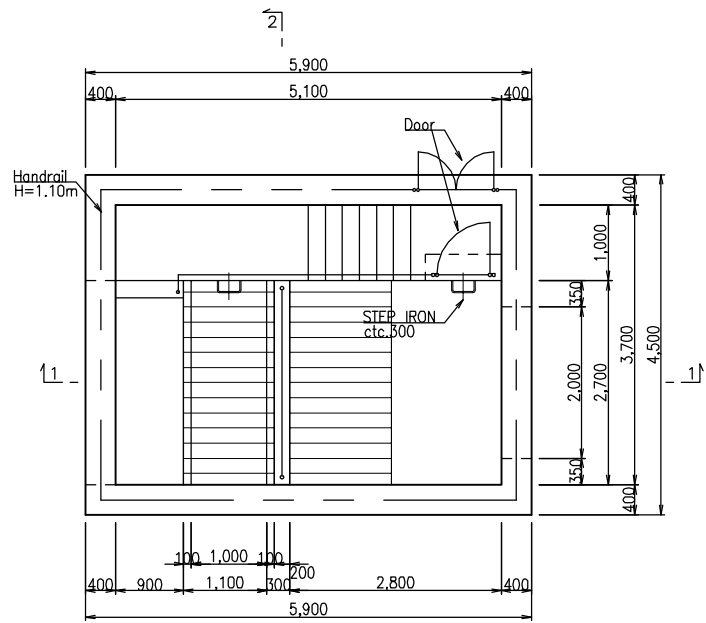


The Basic Design Study on Flood Protection and Drainage Improvement Project in the Municipality of Phnom Penh (Phase II)

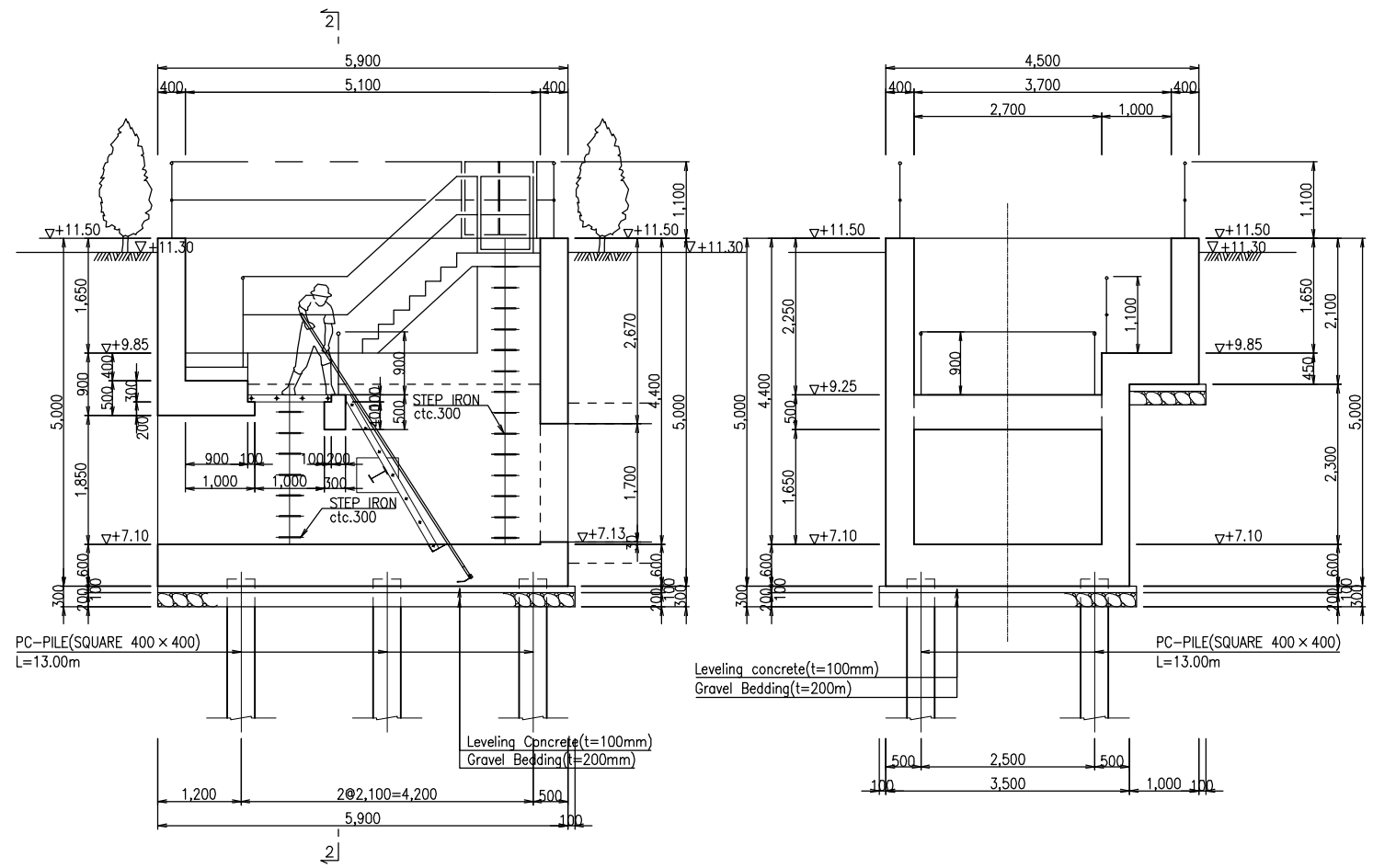
JICA JAPAN INTERNATIONAL COOPERATION AGENCY
CTI CTI ENGINEERING INTERNATIONAL CO., LTD.
NK NIPPON KOEI CO., LTD.

Drawing No. PR-P5-03

No.5 Pumping Station & No.5 Underground Reservoir Layout of Foundation Pile



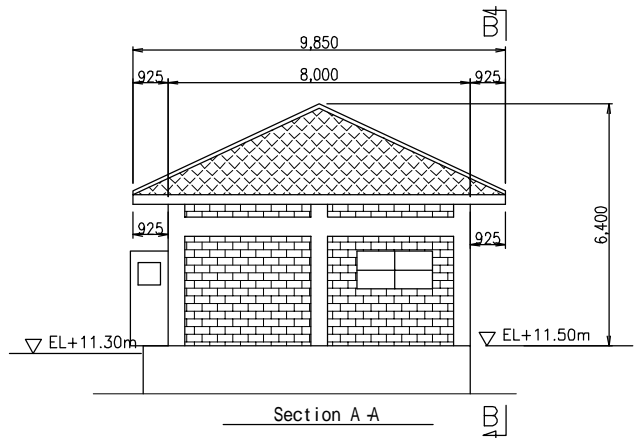
PLAN



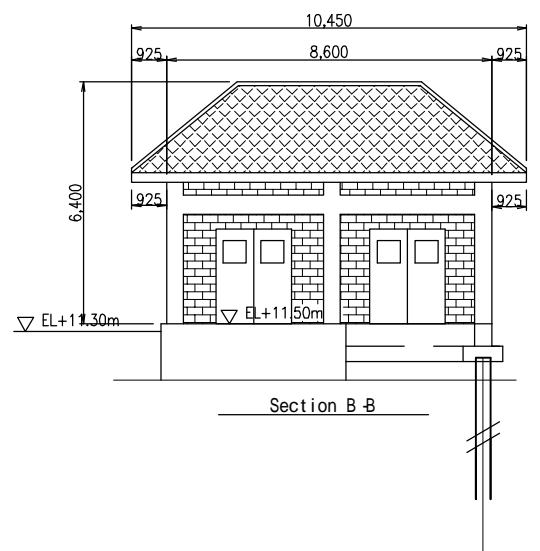
Section 1 - 1

Section 2 - 2

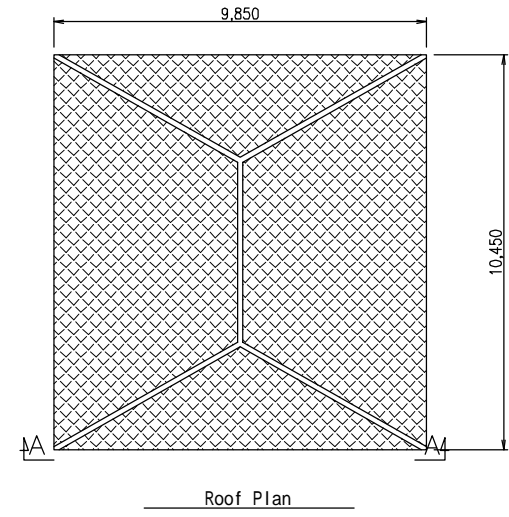
Screen Pit
Scale A



Section A-A

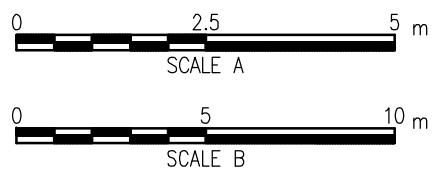


Section B-B



Roof Plan

Pump O&M House
Scale B



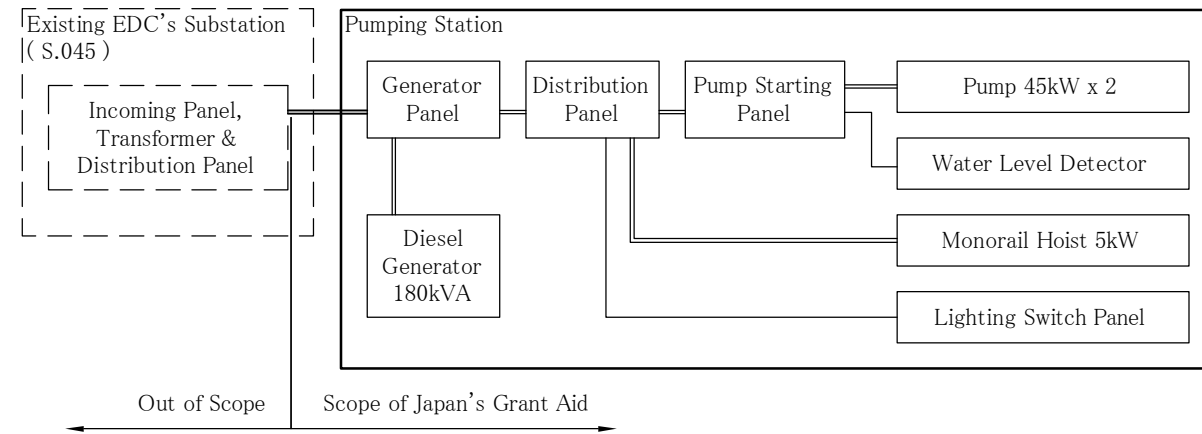
The Basic Design Study on Flood Protection and Drainage Improvement Project in the Municipality of Phnom Penh (Phase II)

JICA JAPAN INTERNATIONAL COOPERATION AGENCY
CTI CTI ENGINEERING INTERNATIONAL CO., LTD.
NIPPON KOEI CO., LTD.

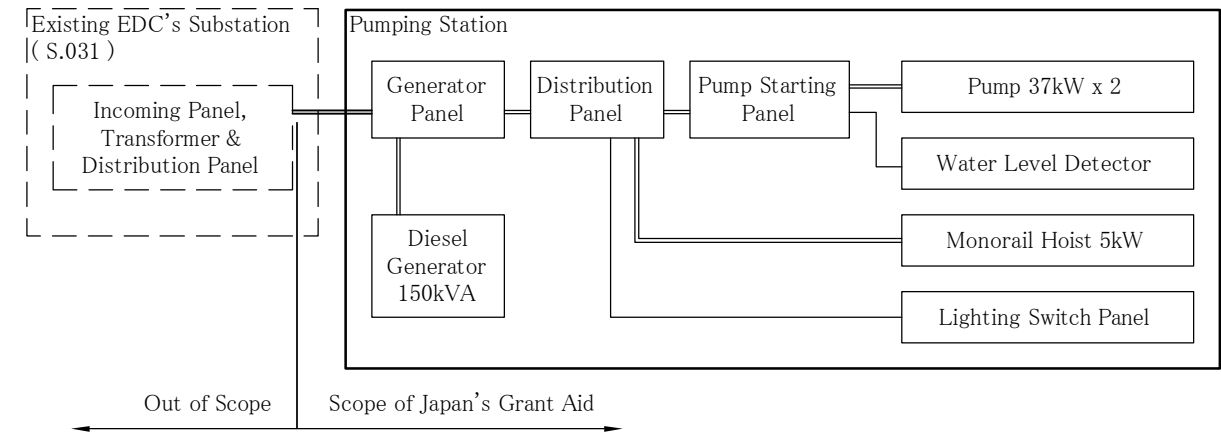
Drawing No. PR-P5-04

No.5 Pumping Station & No.5 Underground Reservoir Screen Pit and Pump O&M House

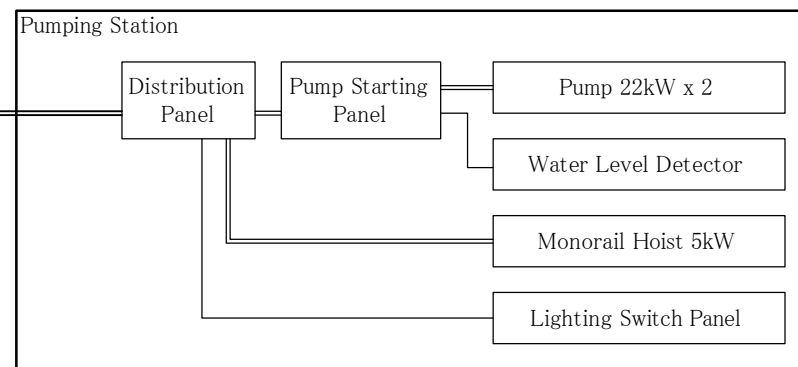
No.1 Pumping Station (P1)



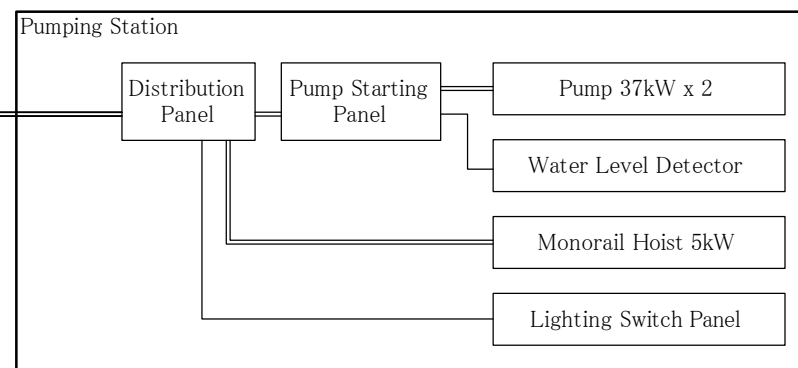
No.5 Pumping Station (P5)



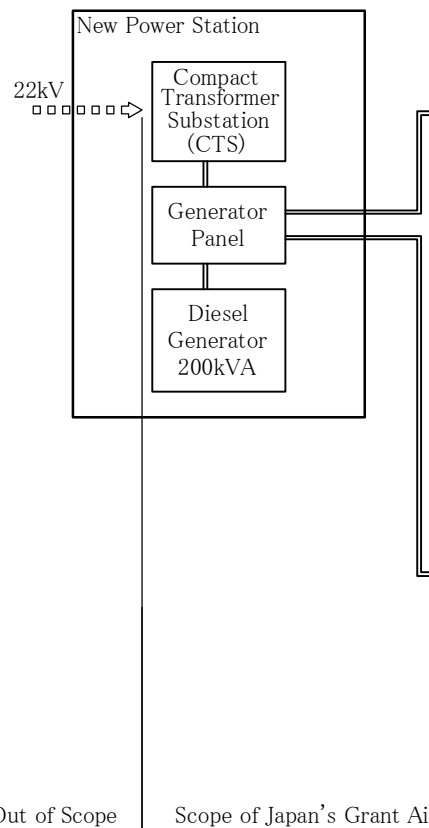
No.2 Pumping Station (P2)



No.4 Pumping Station (P4)



No.3 Existing Pumping Station



Wiring Flow Chart

The Basic Design Study on Flood Protection and Drainage Improvement Project in the Municipality of Phnom Penh (Phase II)

jica JAPAN INTERNATIONAL COOPERATION AGENCY
CTI CTI ENGINEERING INTERNATIONAL CO., LTD.
NK NIPPON KOEI CO., LTD.

Drawing No. PR-OT-01

Wiring Flow Chart

