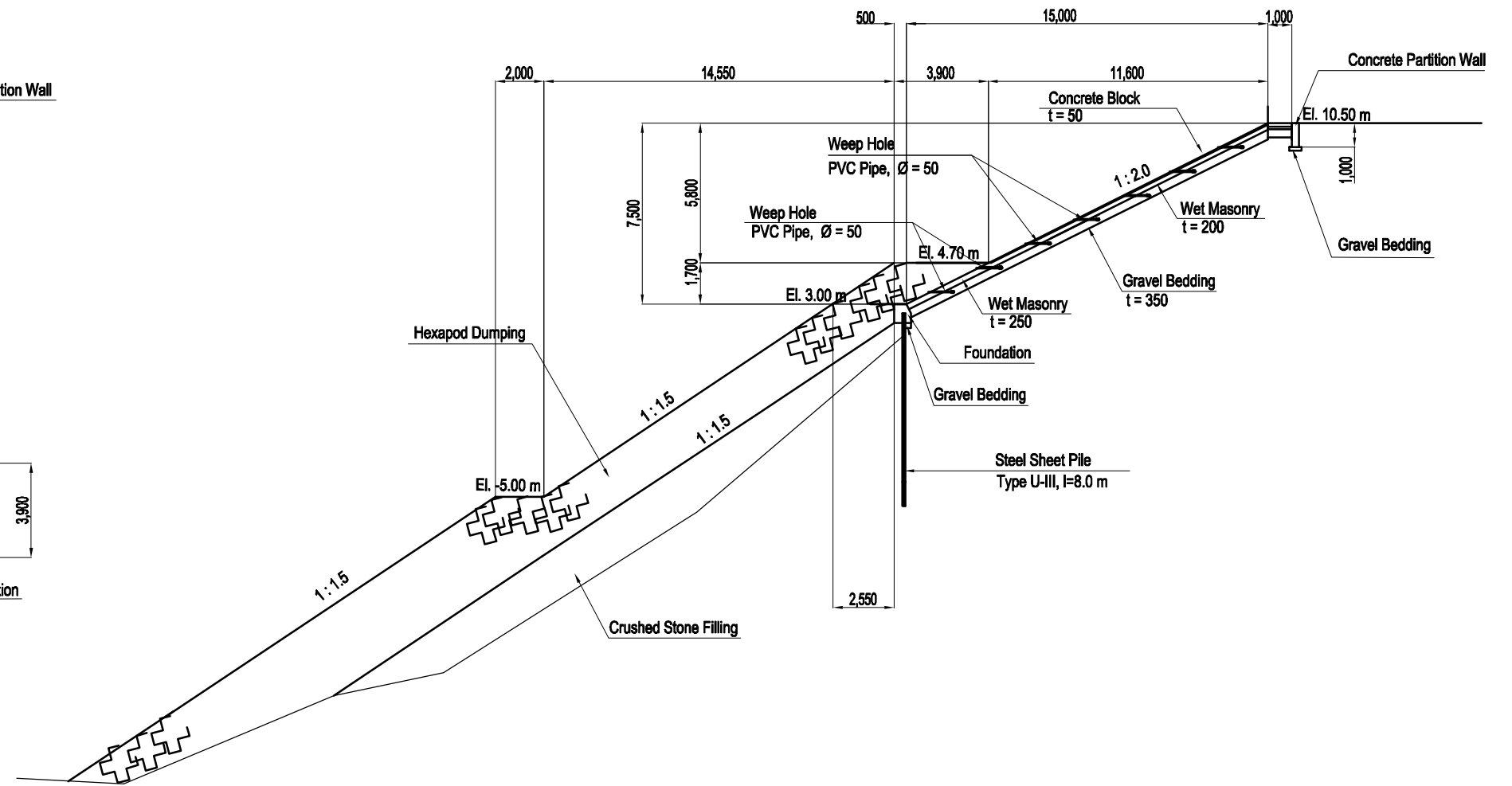
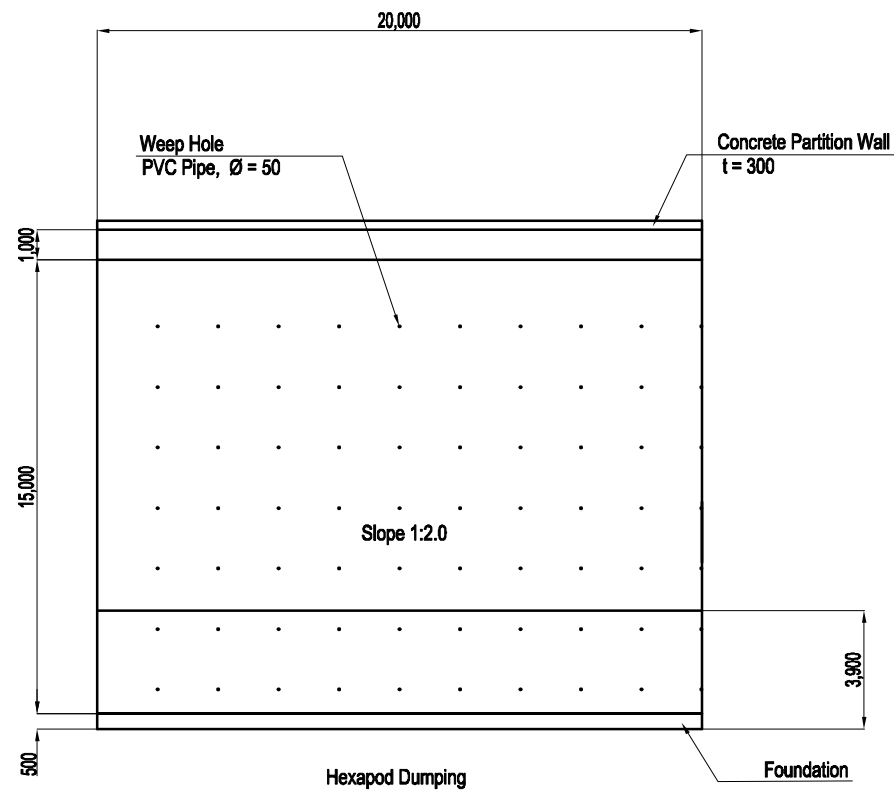


<p>The Basic Design Study on Flood Protection and Drainage Improvement Project in the Municipality of Phnom Penh (Phase II)</p>	<p>Drawing No. FP-CM-01</p>
<p>JICA JAPAN INTERNATIONAL COOPERATION AGENCY CTI CTI ENGINEERING INTERNATIONAL CO., LTD. NK NIPPON KOEI CO., LTD.</p>	<p>Chakto Mukh Theater Revetment Plan</p>



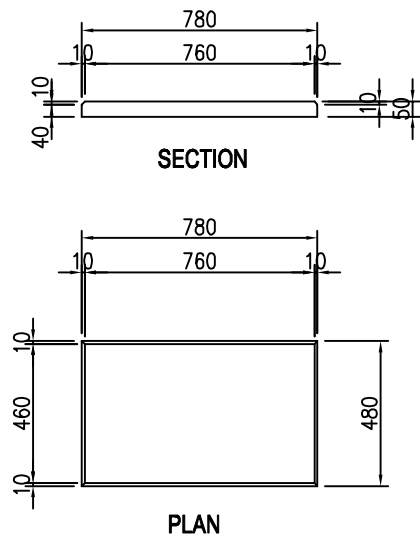
Scale: 0 2 4 6 8 10m

The Basic Design Study on Flood Protection and Drainage
Improvement Project in the Municipality of Phnom Penh (Phase II)

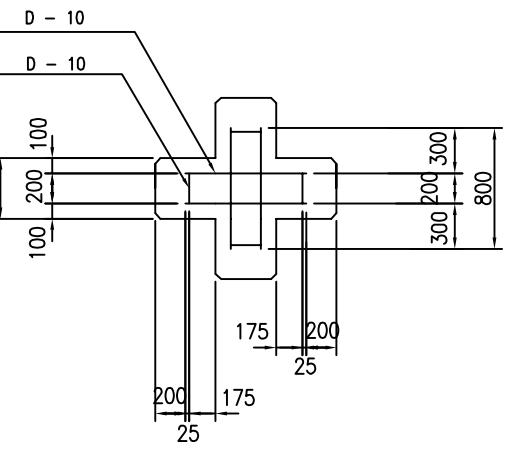
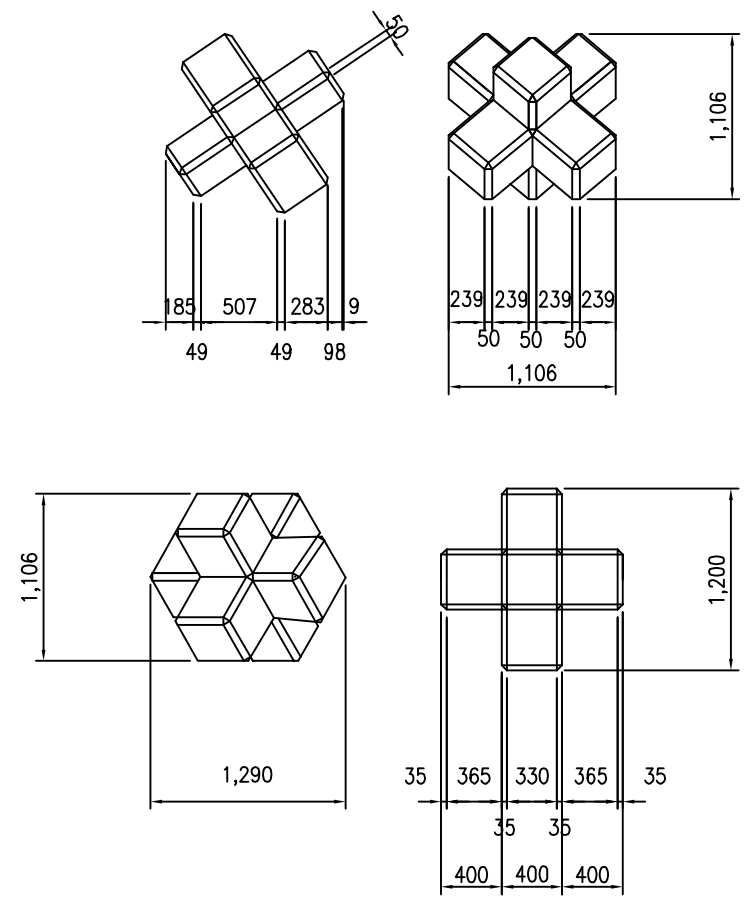
Drawing No. FP-CM-02

JICA JAPAN INTERNATIONAL COOPERATION AGENCY
CTI CTI ENGINEERING INTERNATIONAL CO., LTD.
NK NIPPON KOEI CO., LTD.

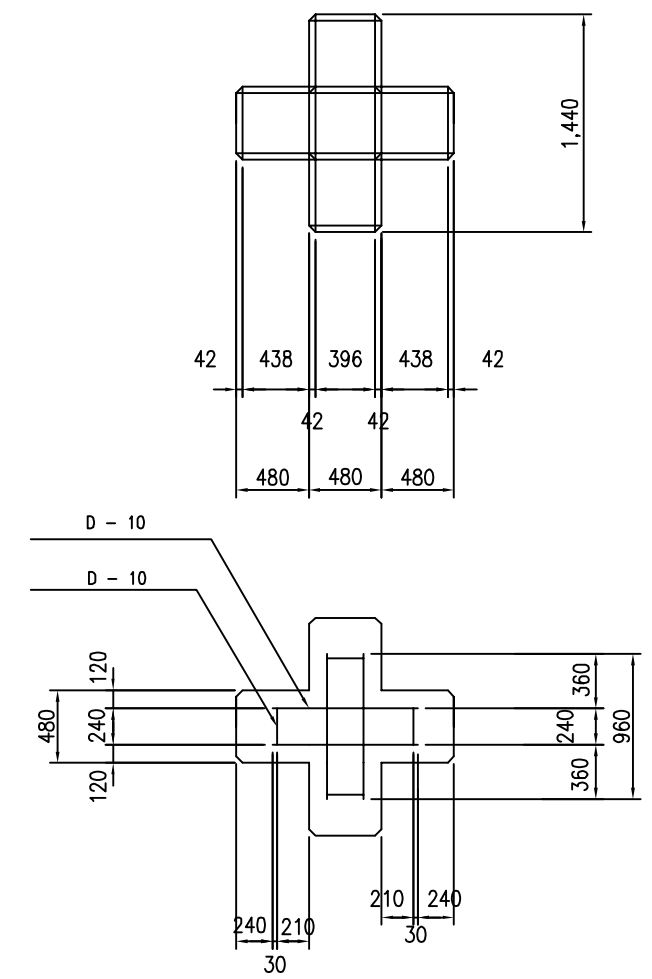
Chakto Mukh Theater Revetment
Typical Drawing



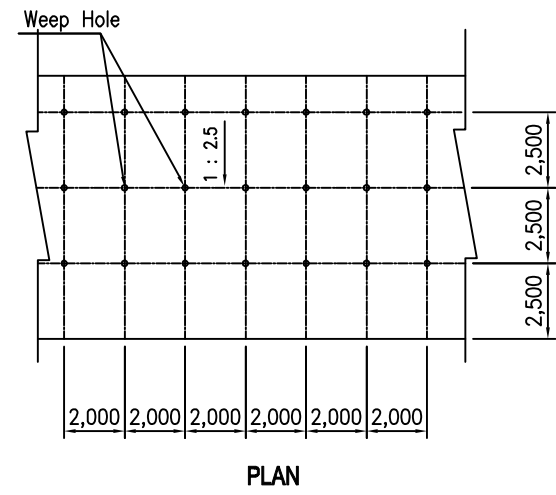
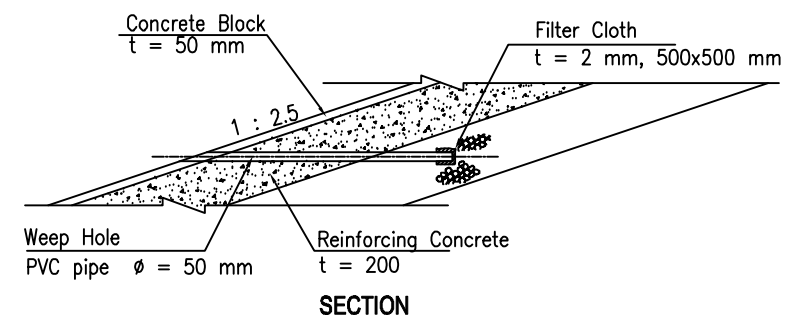
Detail of Concrete Block



DETAIL OF HEXAPOD (1 TON)



DETAIL OF HEXAPOD (2 TON)



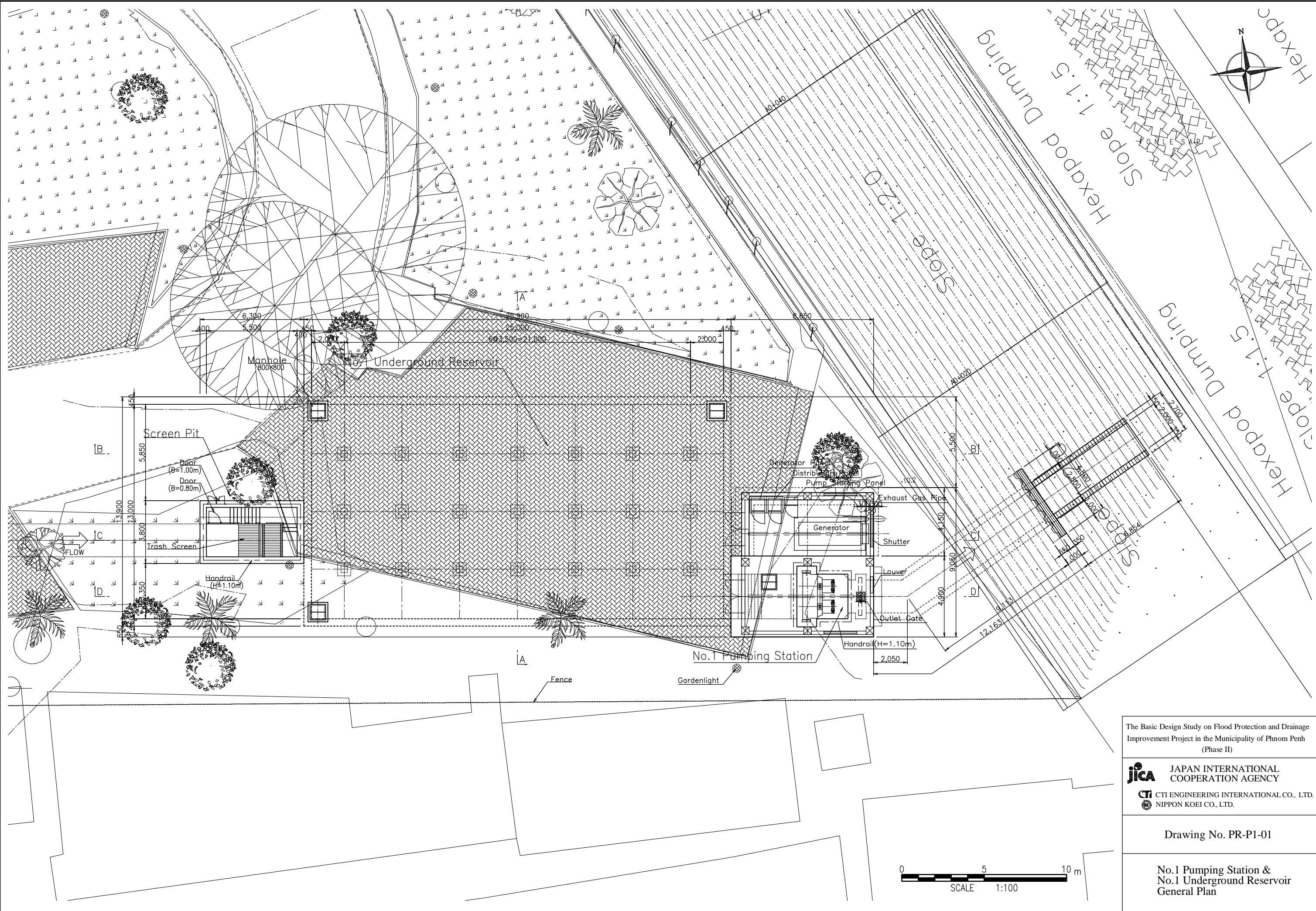
DETAIL OF WEEP HOLE

The Basic Design Study on Flood Protection and Drainage
Improvement Project in the Municipality of Phnom Penh (Phase II)

Drawing No. FP-OT-01

JICA JAPAN INTERNATIONAL COOPERATION AGENCY
CTI CTI ENGINEERING INTERNATIONAL CO., LTD.
© NIPPON KOEI CO., LTD.

Structural Details of Concrete Block,
Weep Hole and Hexapod

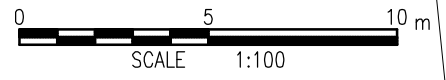


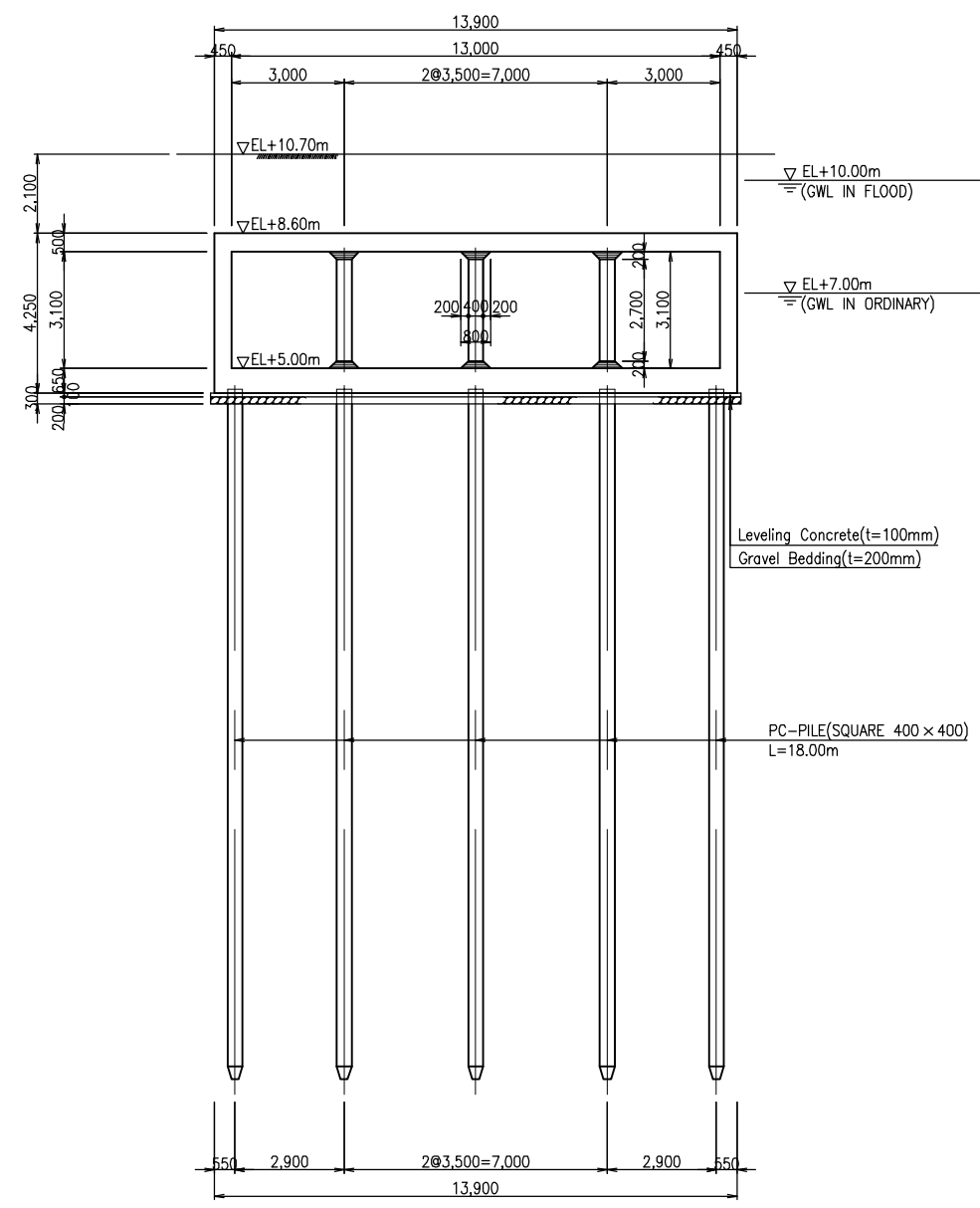
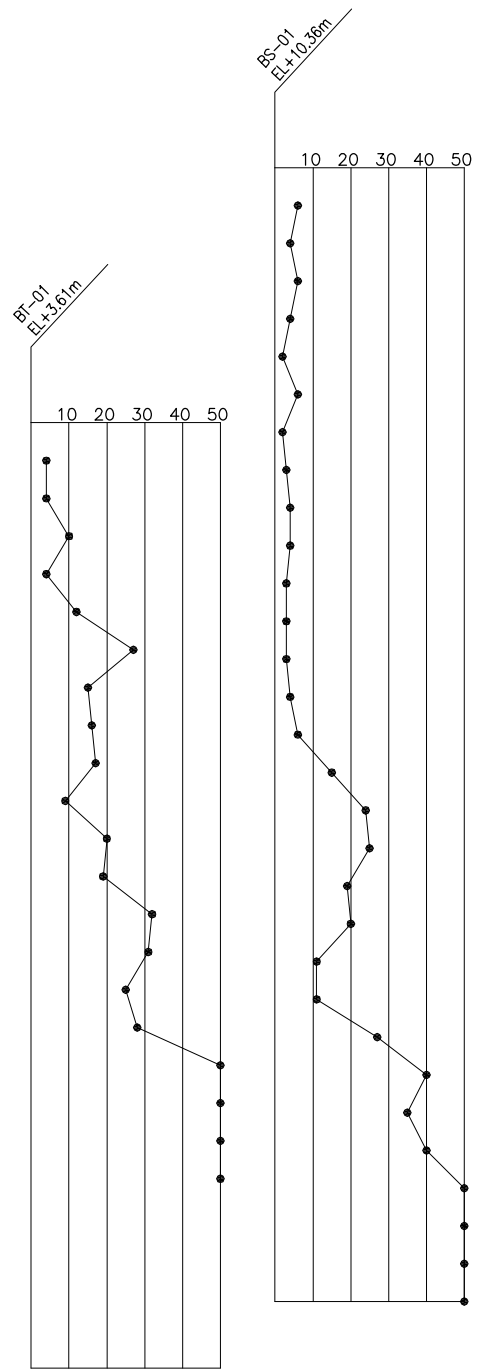
The Basic Design Study on Flood Protection and Drainage Improvement Project in the Municipality of Phnom Penh (Phase II)

JICA JAPAN INTERNATIONAL COOPERATION AGENCY
CTI CTI ENGINEERING INTERNATIONAL CO., LTD.
NK NIPPON KOEI CO., LTD.

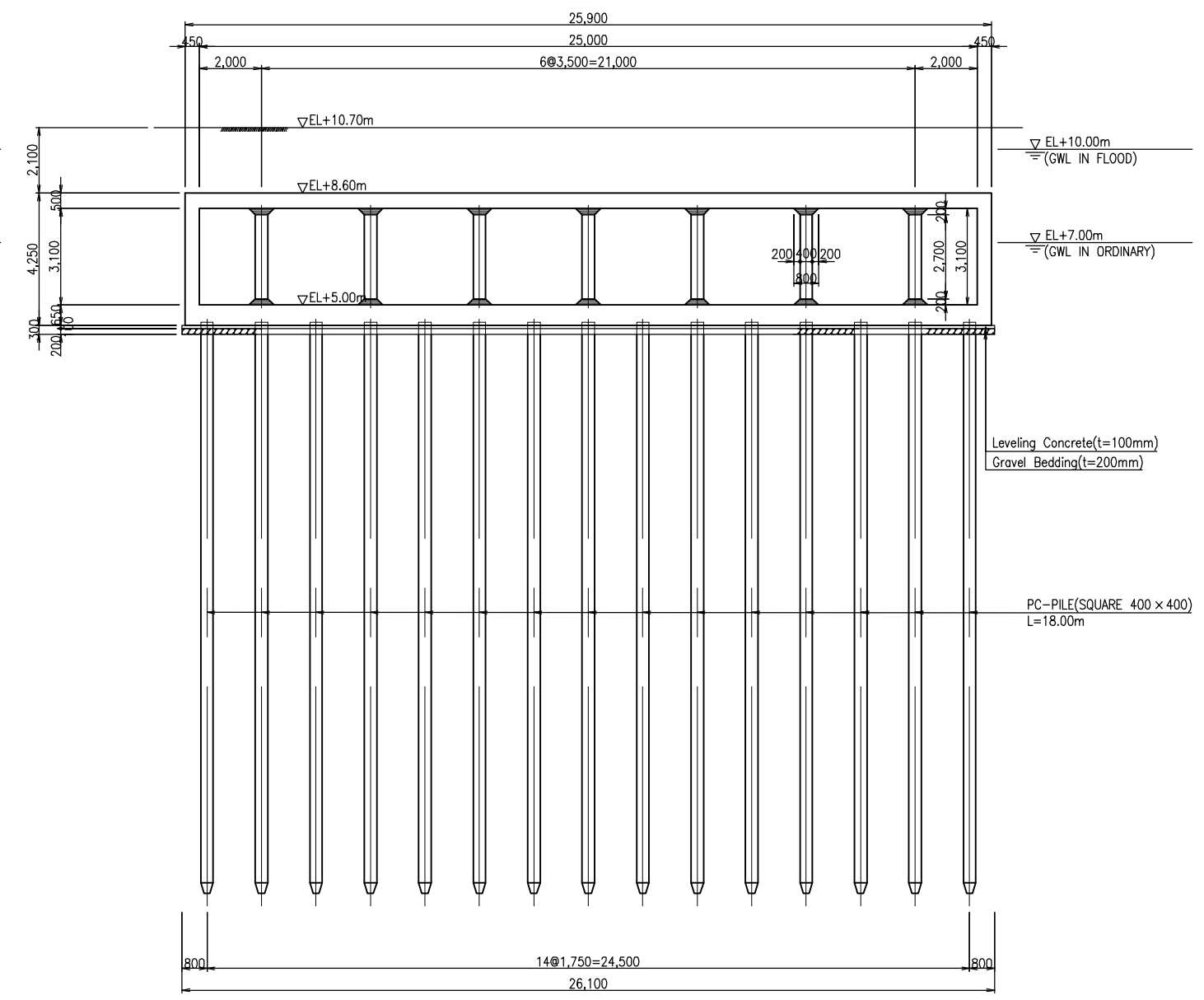
Drawing No. PR-P1-01

No.1 Pumping Station & No.1 Underground Reservoir General Plan

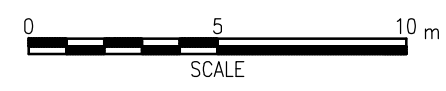




Section A-A



Section B - B

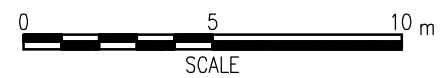
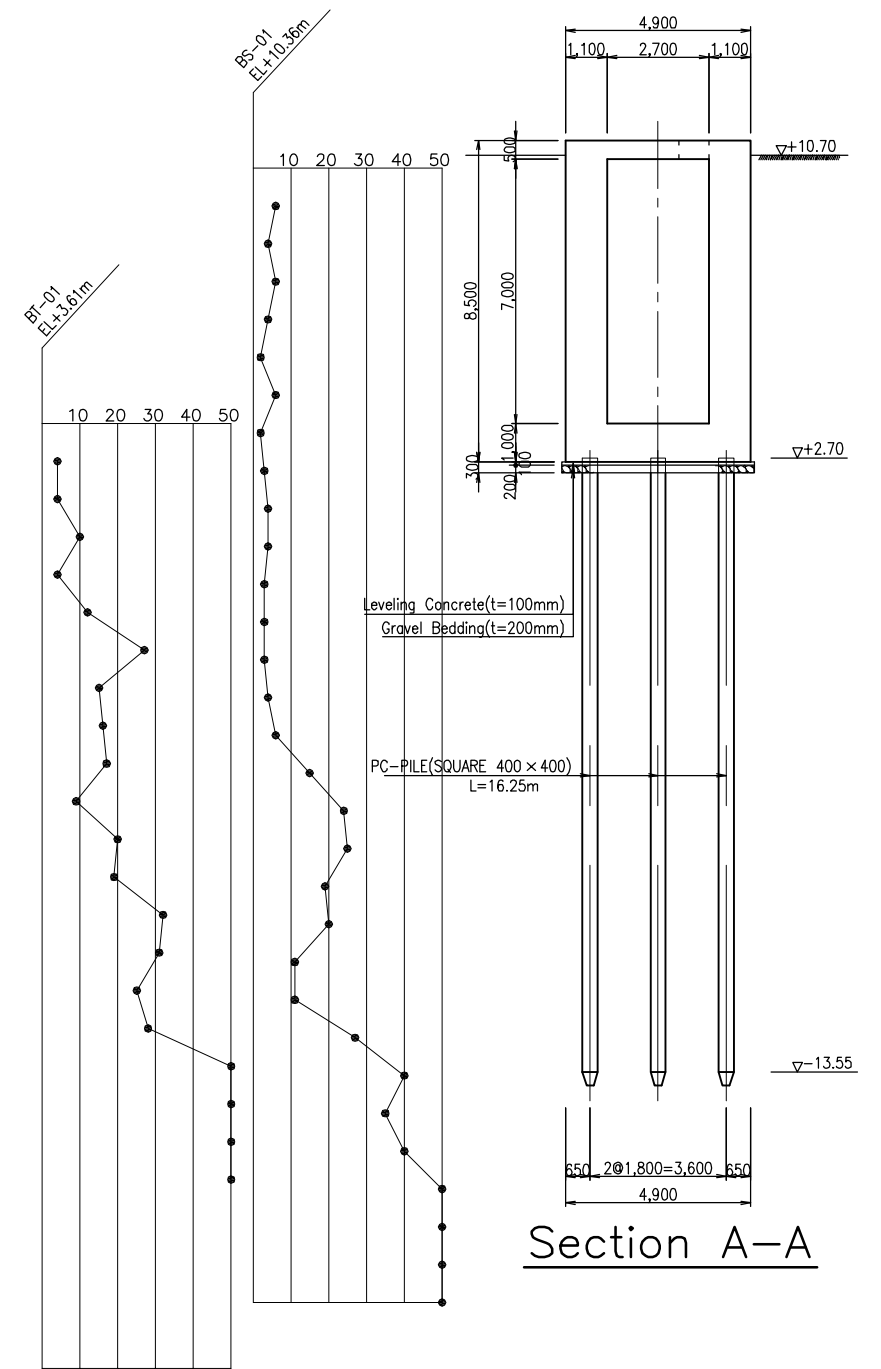
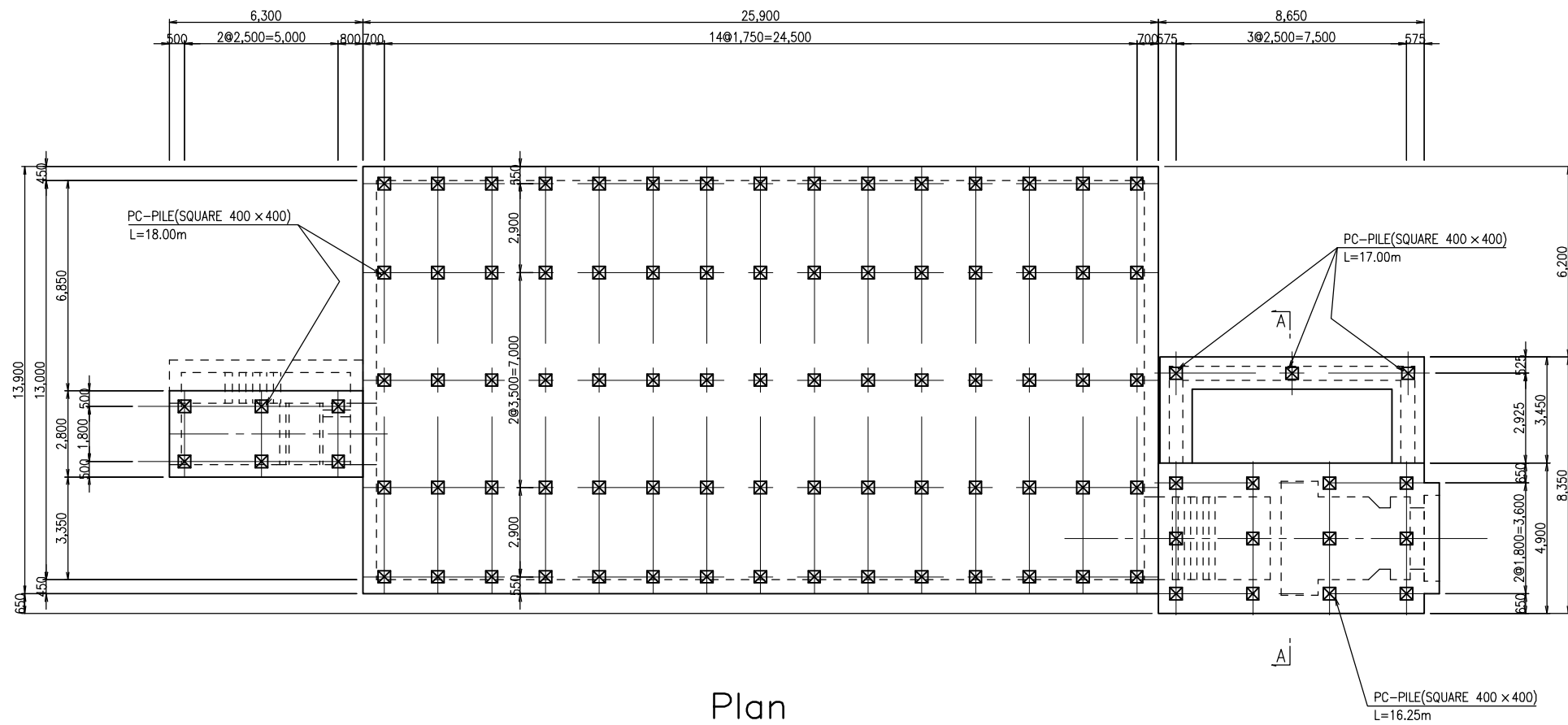


The Basic Design Study on Flood Protection and Drainage Improvement Project in the Municipality of Phnom Penh (Phase II)

jica JAPAN INTERNATIONAL COOPERATION AGENCY
CTI CTI ENGINEERING INTERNATIONAL CO., LTD.
NK NIPPON KOEI CO., LTD.

Drawing No. PR-P1-02

No.1 Pumping Station & No.1 Underground Reservoir Typical Sections (1/2)



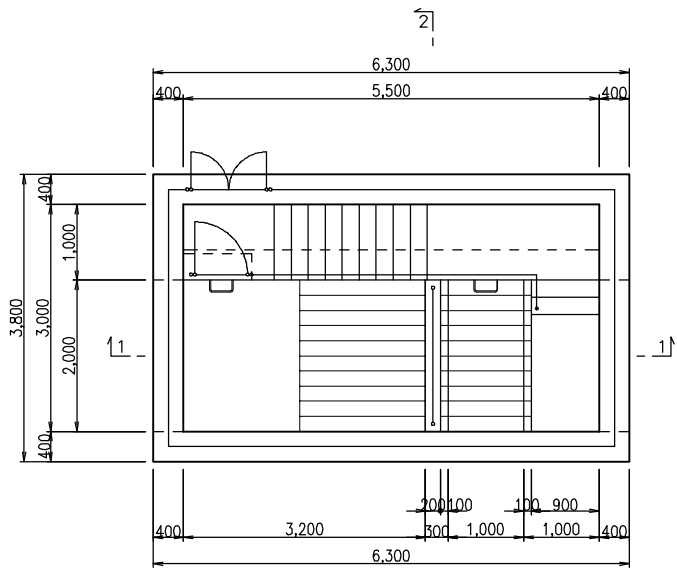
The Basic Design Study on Flood Protection and Drainage Improvement Project in the Municipality of Phnom Penh (Phase II)

JICA JAPAN INTERNATIONAL COOPERATION AGENCY

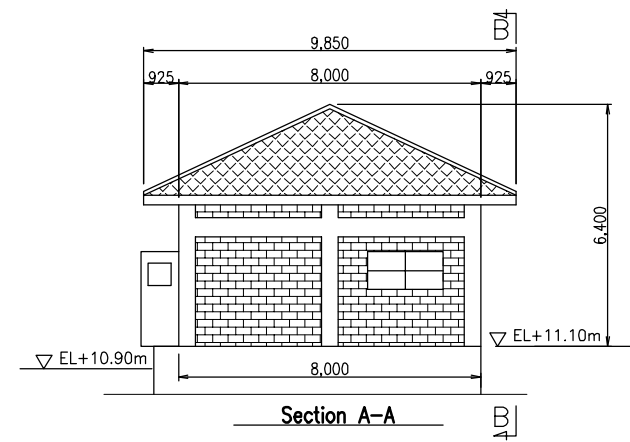
CTI CTI ENGINEERING INTERNATIONAL CO., LTD.
NK NIPPON KOEI CO., LTD.

Drawing No. PR-P1-04

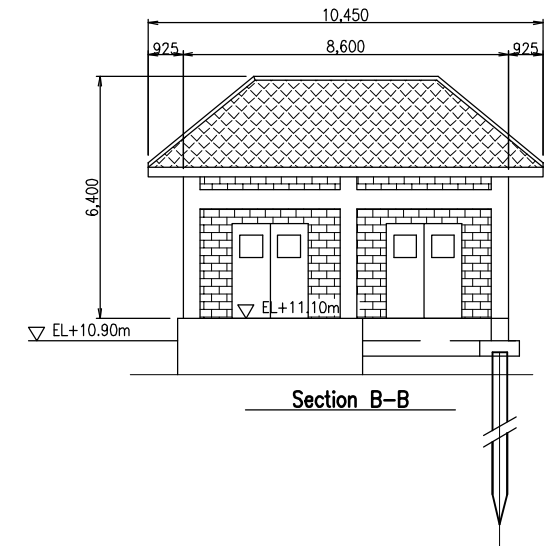
No.1 Pumping Station & No.1 Underground Reservoir Layout of Foundation Pile



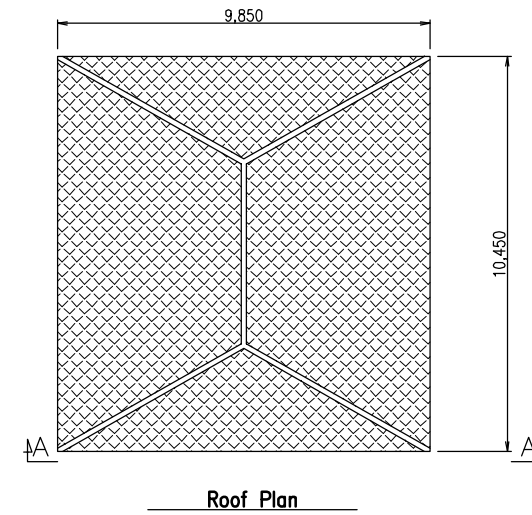
PLAN



Section A-A



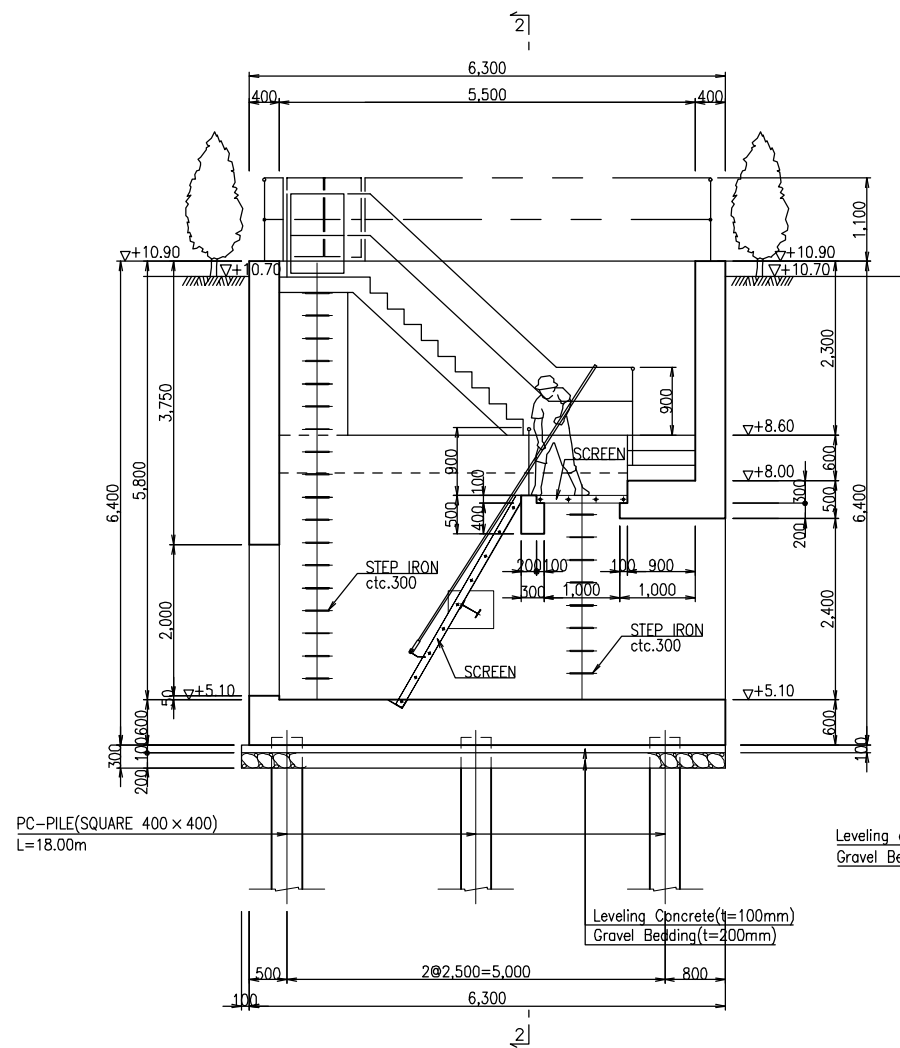
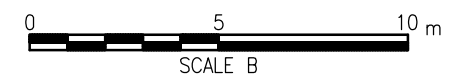
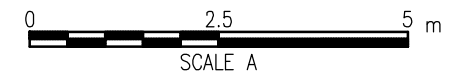
Section B-B



Roof Plan

Pump O&M House

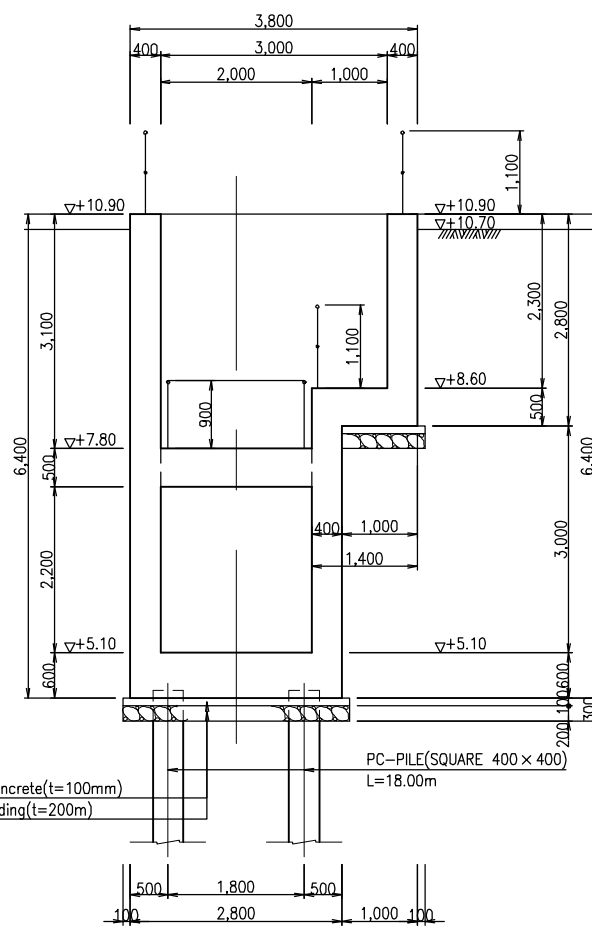
Scale B



Section 1 - 1

Screen Pit

Scale A



Section 2 - 2

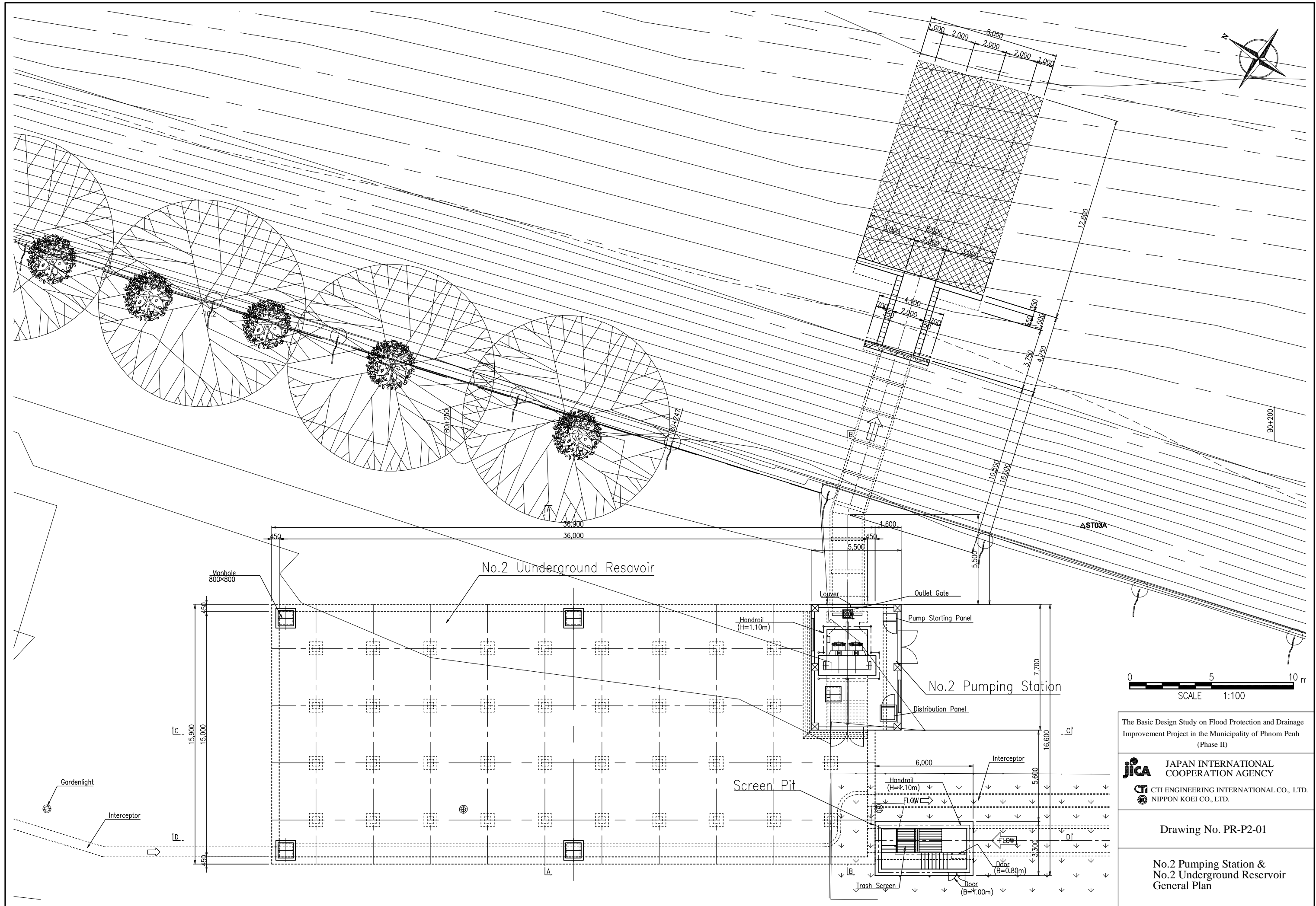
The Basic Design Study on Flood Protection and Drainage Improvement Project in the Municipality of Phnom Penh (Phase II)

JICA JAPAN INTERNATIONAL COOPERATION AGENCY

CTI CTI ENGINEERING INTERNATIONAL CO., LTD.
NK NIPPON KOEI CO., LTD.

Drawing No. PR-P1-05

No.1 Pumping Station &
No.1 Underground Reservoir
Screen Pit and Pump O&M House

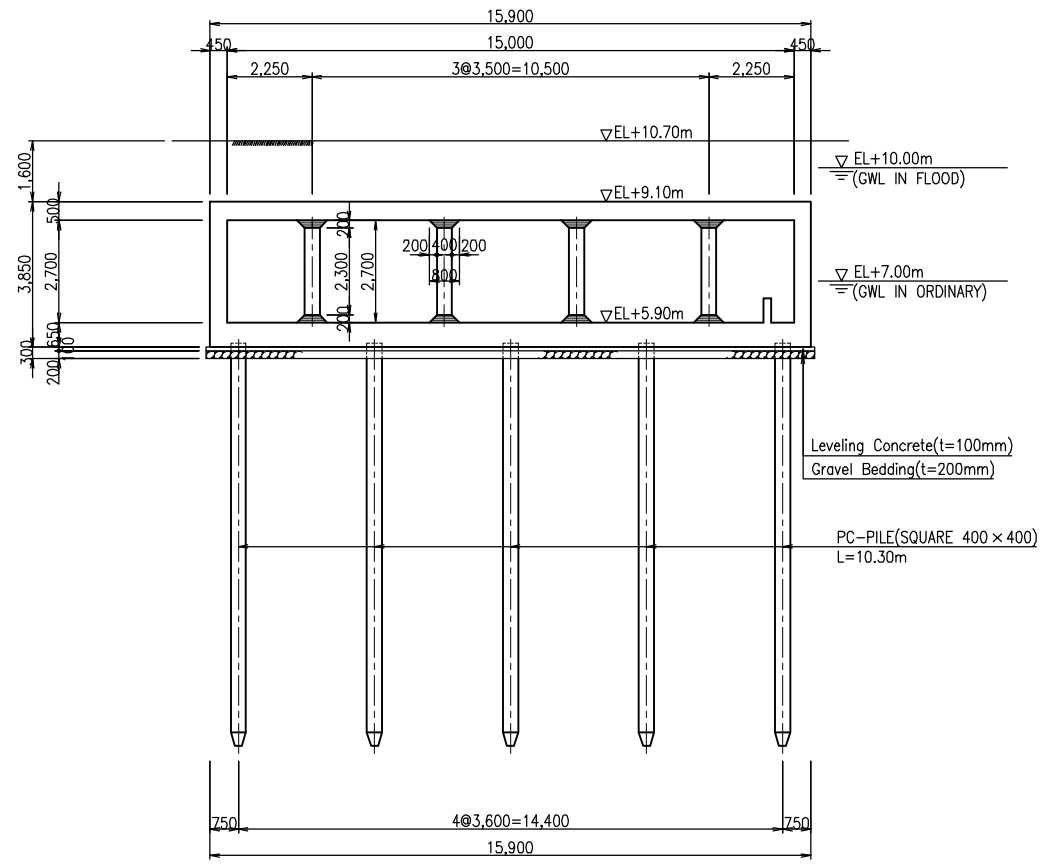
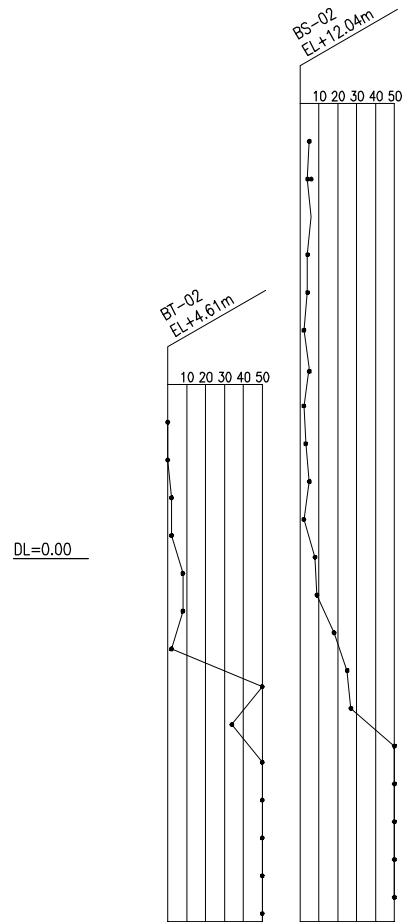
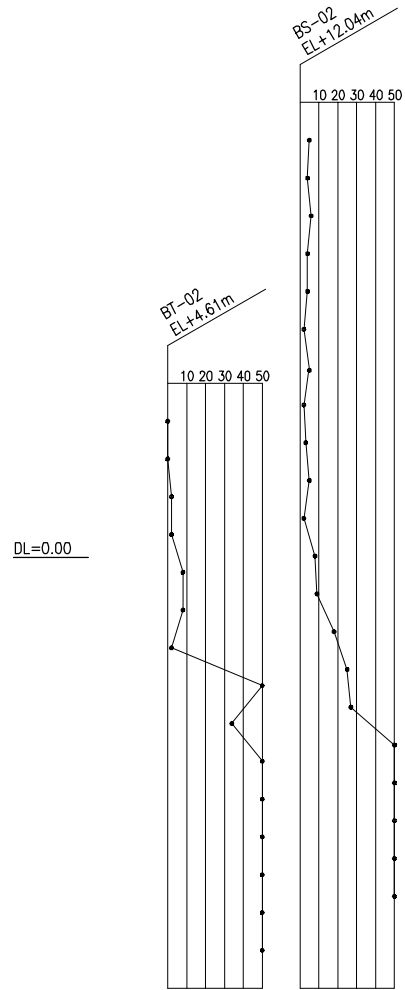


The Basic Design Study on Flood Protection and Drainage Improvement Project in the Municipality of Phnom Penh (Phase II)

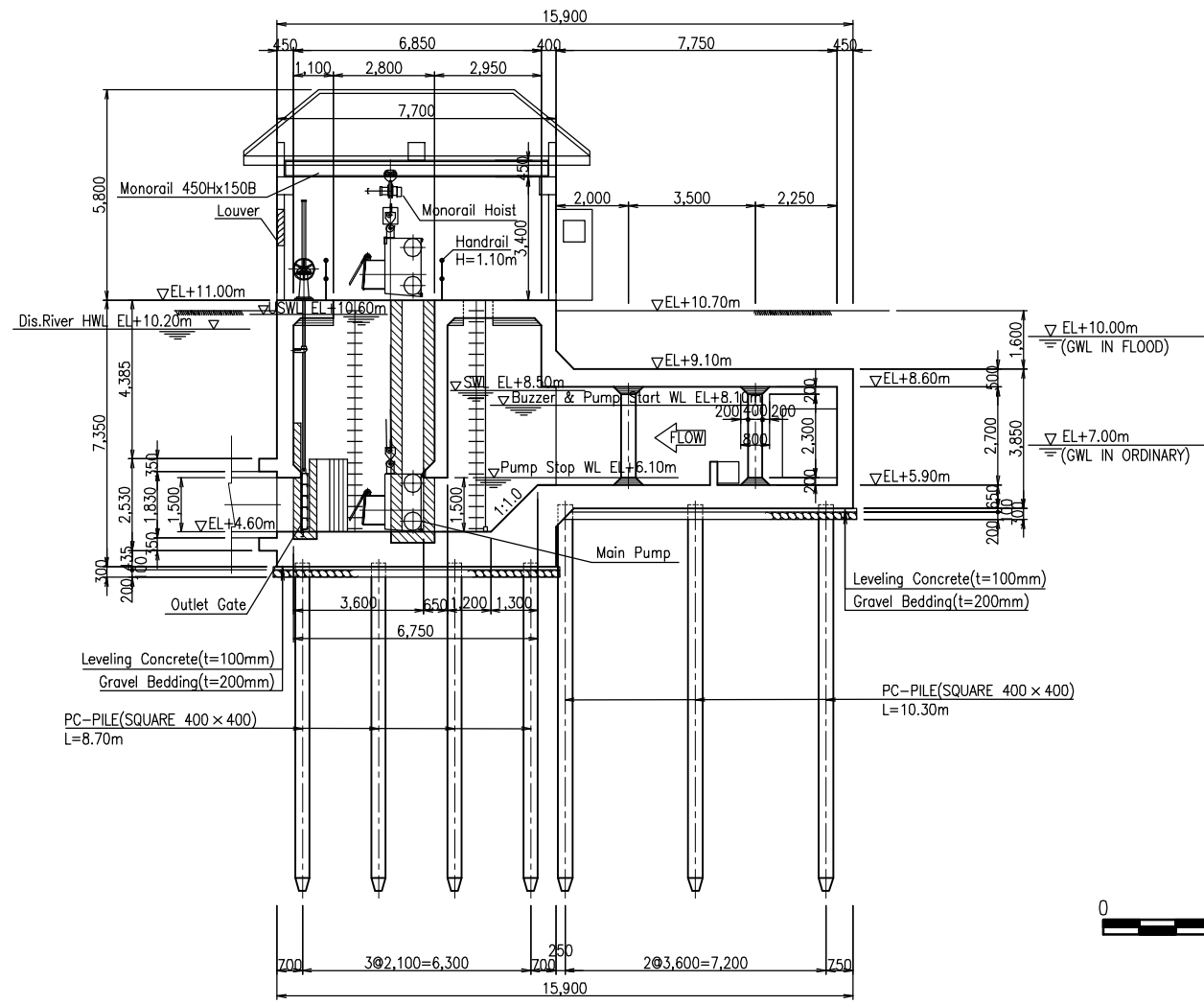
JICA JAPAN INTERNATIONAL COOPERATION AGENCY
CTI CTI ENGINEERING INTERNATIONAL CO., LTD.
NK NIPPON KOEI CO., LTD.

Drawing No. PR-P2-01

No.2 Pumping Station & No.2 Underground Reservoir General Plan



Section A - A



Section B - B

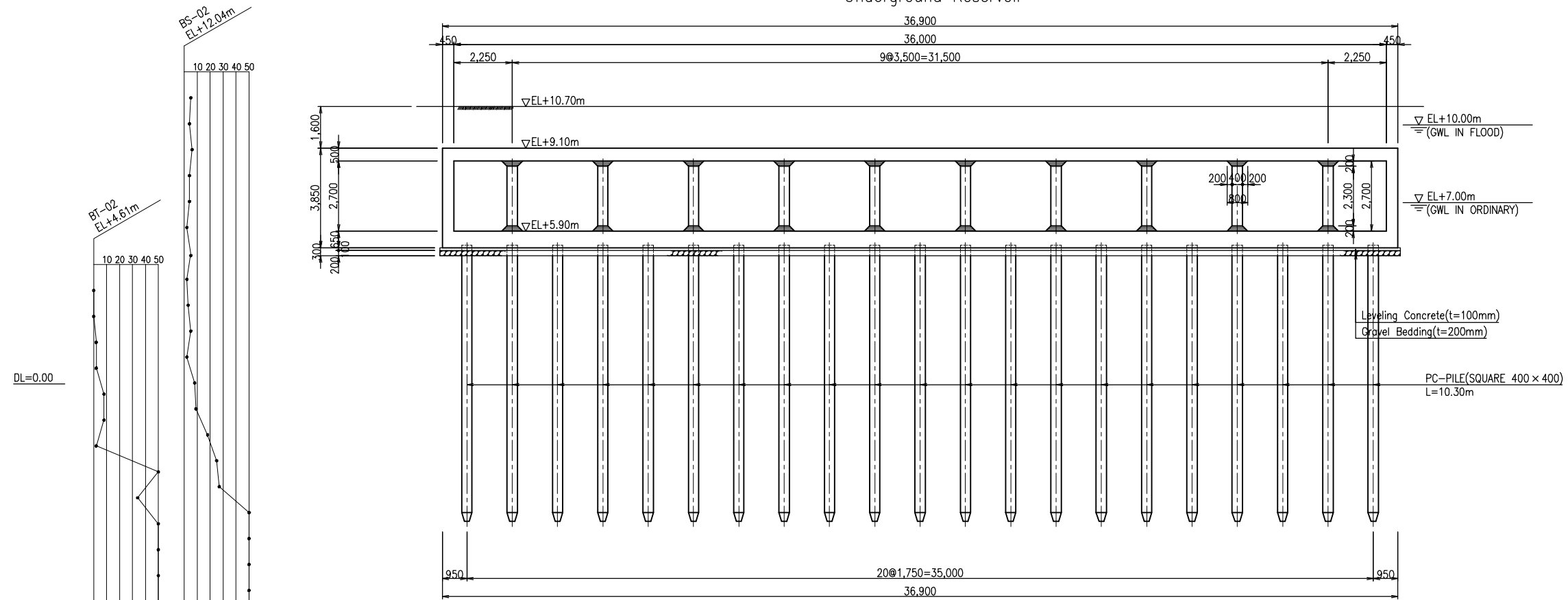
The Basic Design Study on Flood Protection and Drainage Improvement Project in the Municipality of Phnom Penh (Phase II)

JICA JAPAN INTERNATIONAL COOPERATION AGENCY
CTI CTI ENGINEERING INTERNATIONAL CO., LTD.
NKK NIPPON KOEI CO., LTD.

Drawing No. PR-P2-02

No.2 Pumping Station & No.2 Underground Reservoir Typical Sections (1/2)

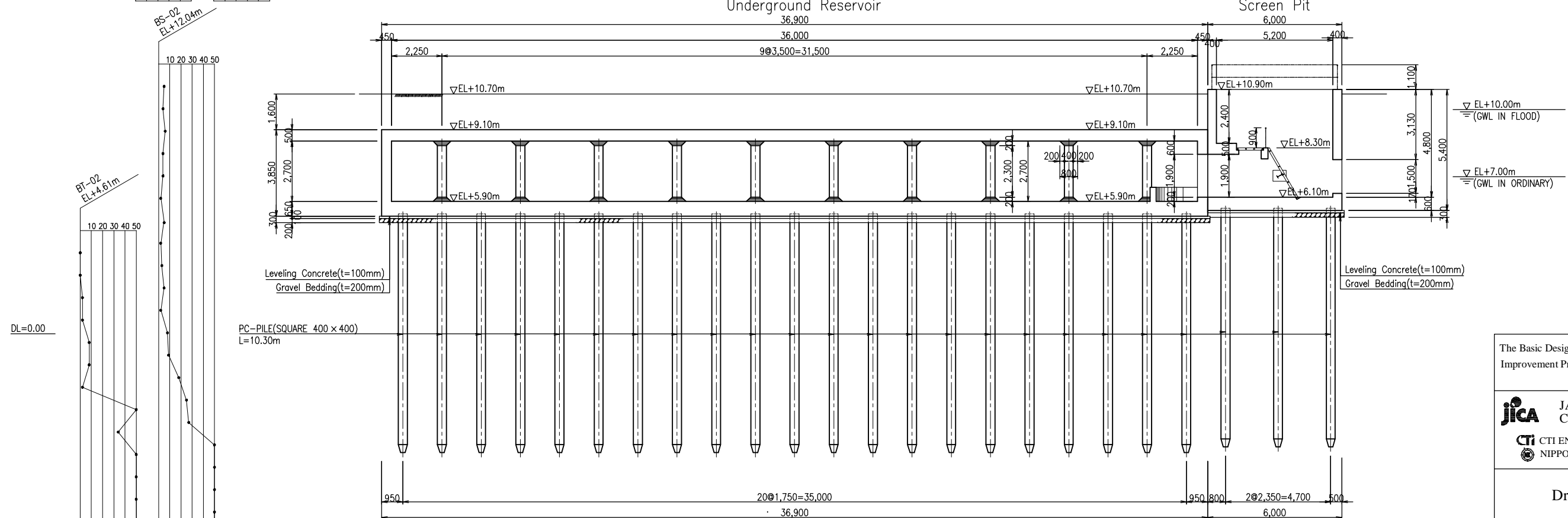
Underground Reservoir



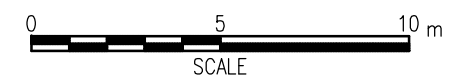
Section C - C

Underground Reservoir

Screen Pit



Section D - D



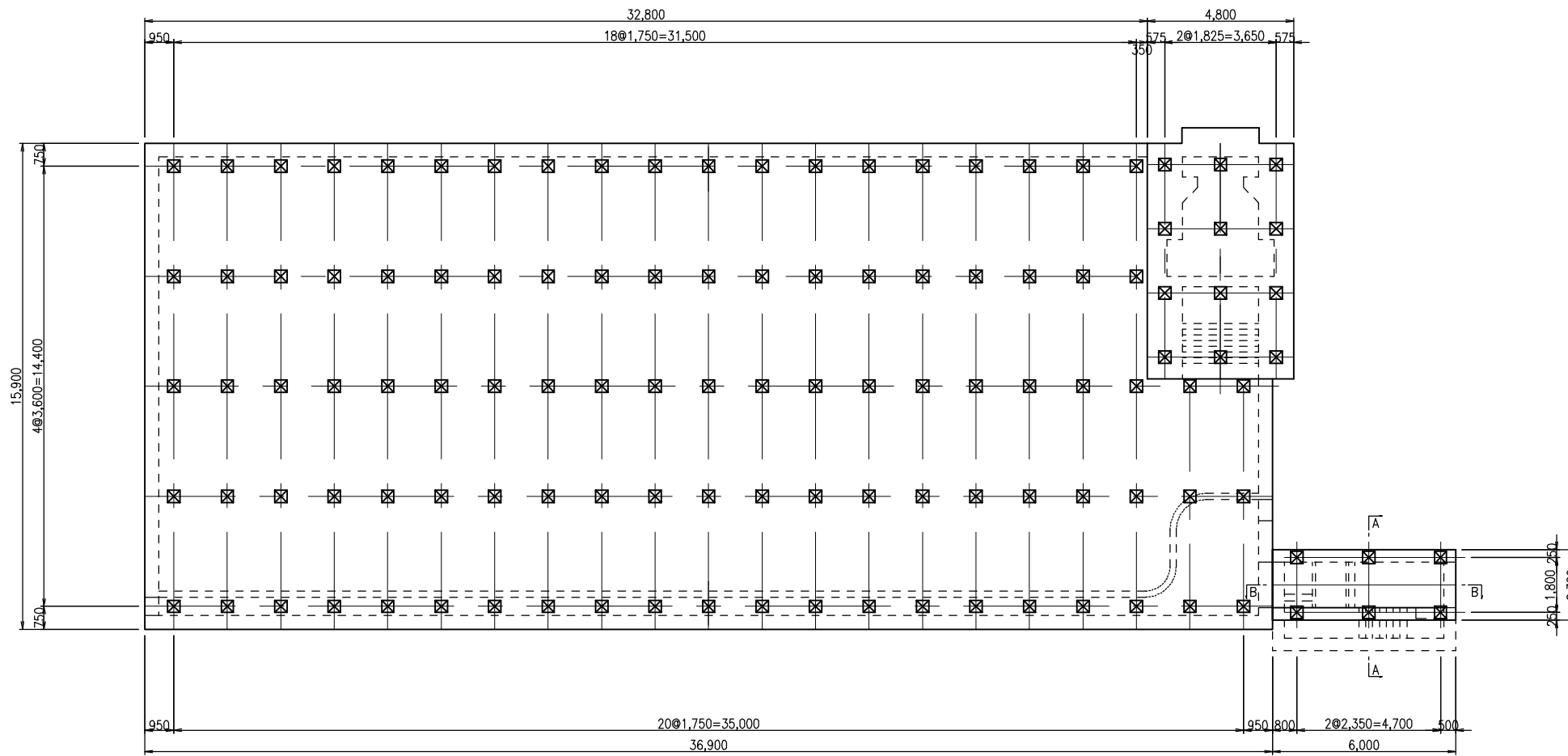
The Basic Design Study on Flood Protection and Drainage Improvement Project in the Municipality of Phnom Penh (Phase II)

JICA JAPAN INTERNATIONAL COOPERATION AGENCY

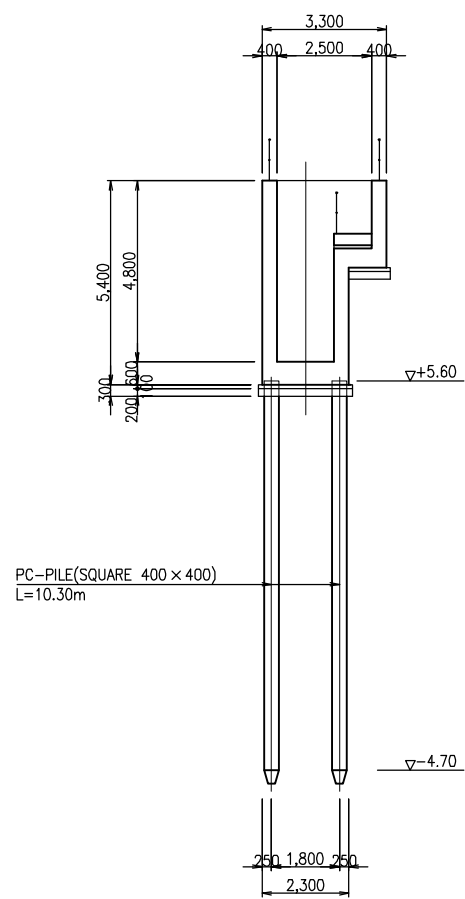
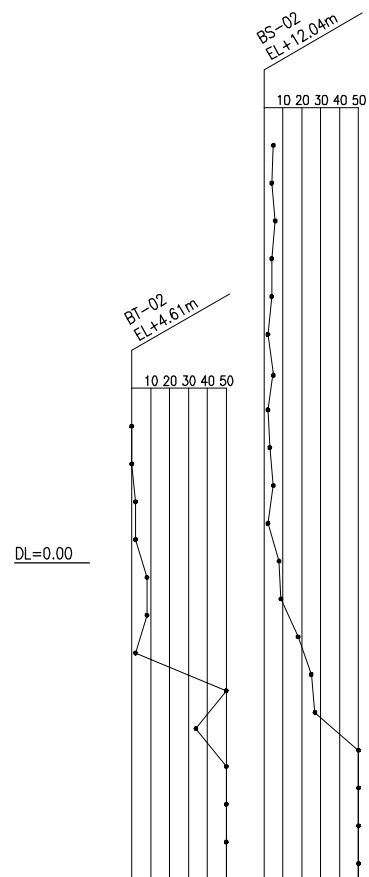
CTI CTI ENGINEERING INTERNATIONAL CO., LTD.
NK NIPPON KOEI CO., LTD.

Drawing No. PR-P2-03

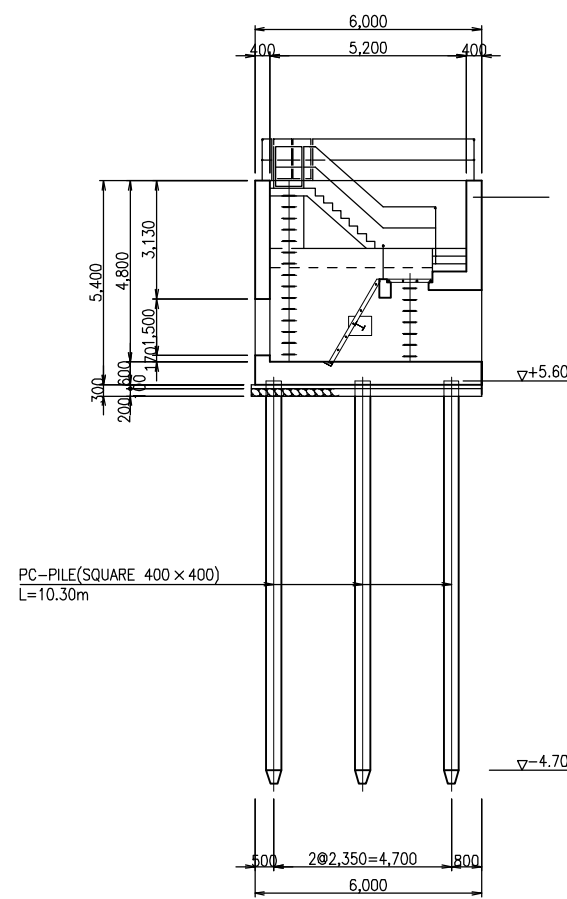
No.2 Pumping Station & No.2 Underground Reservoir Typical Sections (2/2)



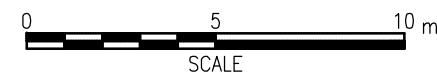
Plan



Section A - A



Section B - B

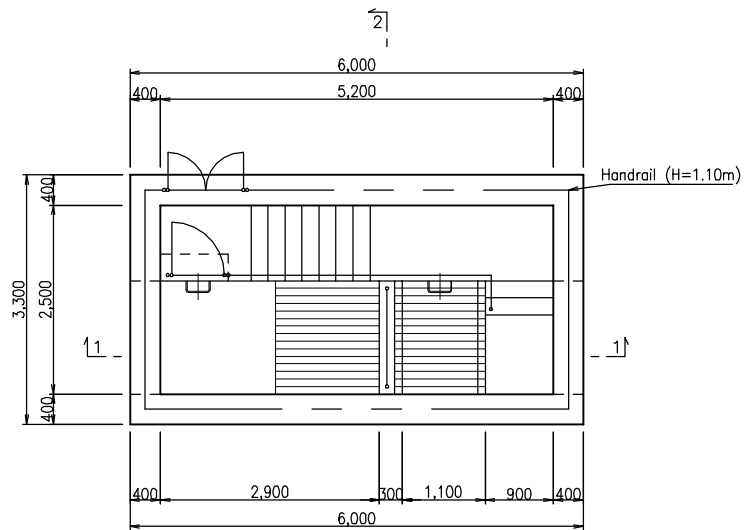


The Basic Design Study on Flood Protection and Drainage Improvement Project in the Municipality of Phnom Penh (Phase II)

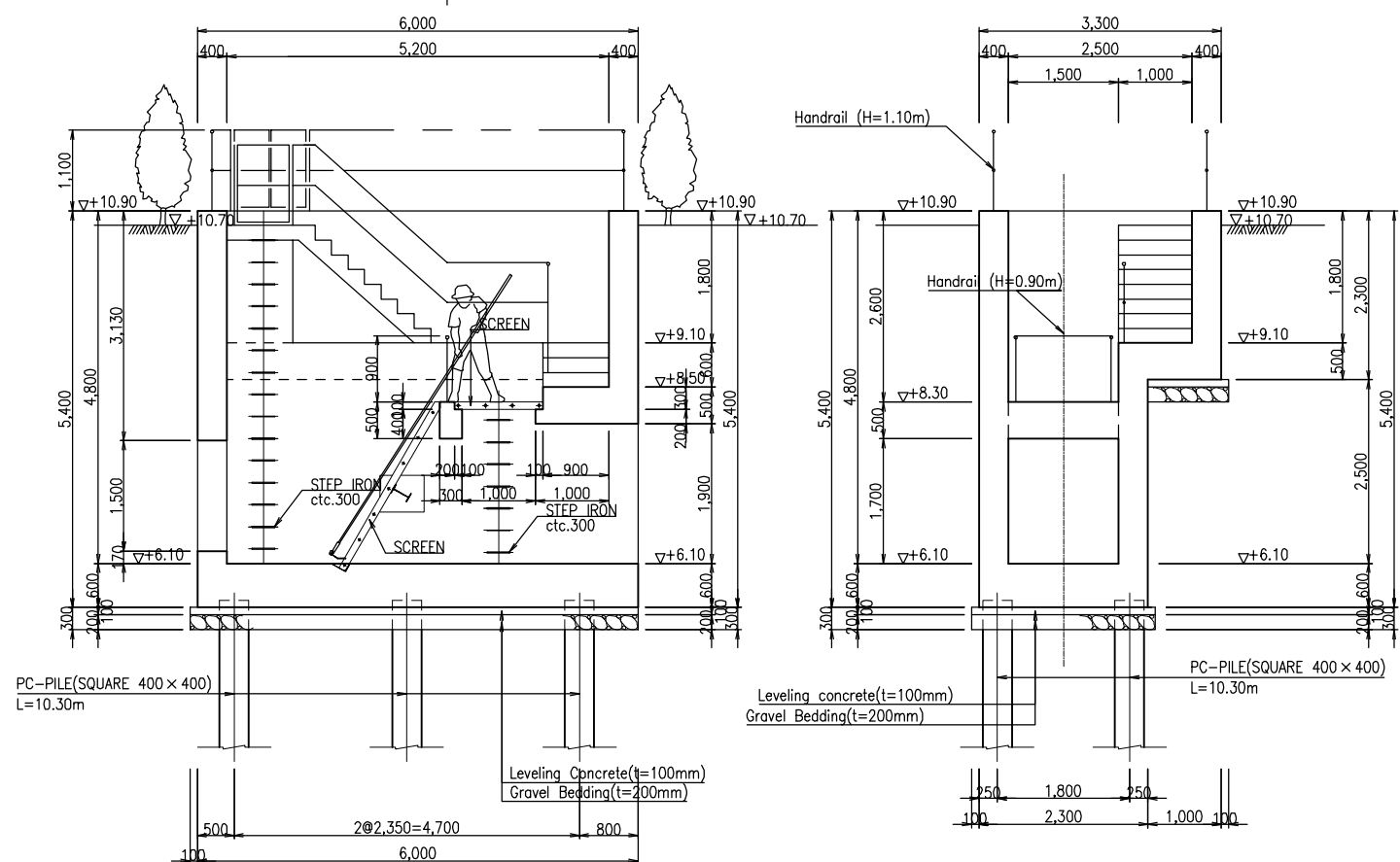
jica JAPAN INTERNATIONAL COOPERATION AGENCY
CTI CTI ENGINEERING INTERNATIONAL CO., LTD.
NK NIPPON KOEI CO., LTD.

Drawing No. PR-P2-04

No.2 Pumping Station & No.2 Underground Reservoir Layout of Foundation Pile



PLAN

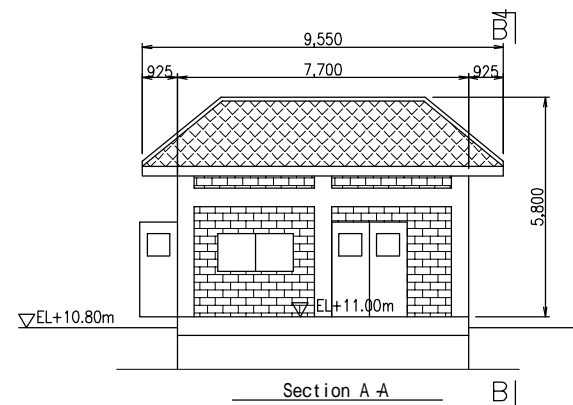


Section 1 - 1

Section 2 - 2

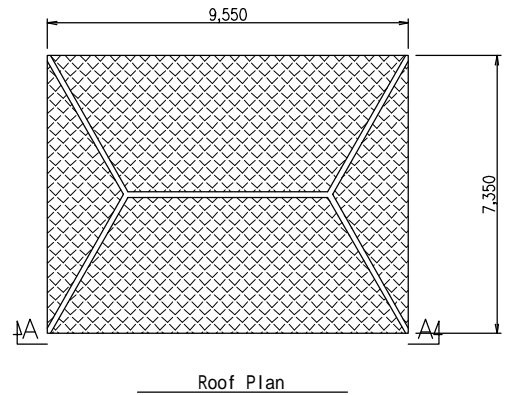
Screen Pit

Scale A



Section A - A

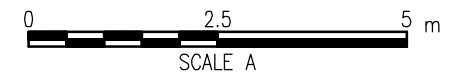
Section B - B



Roof Plan

Pump O&M House

Scale B



SCALE A



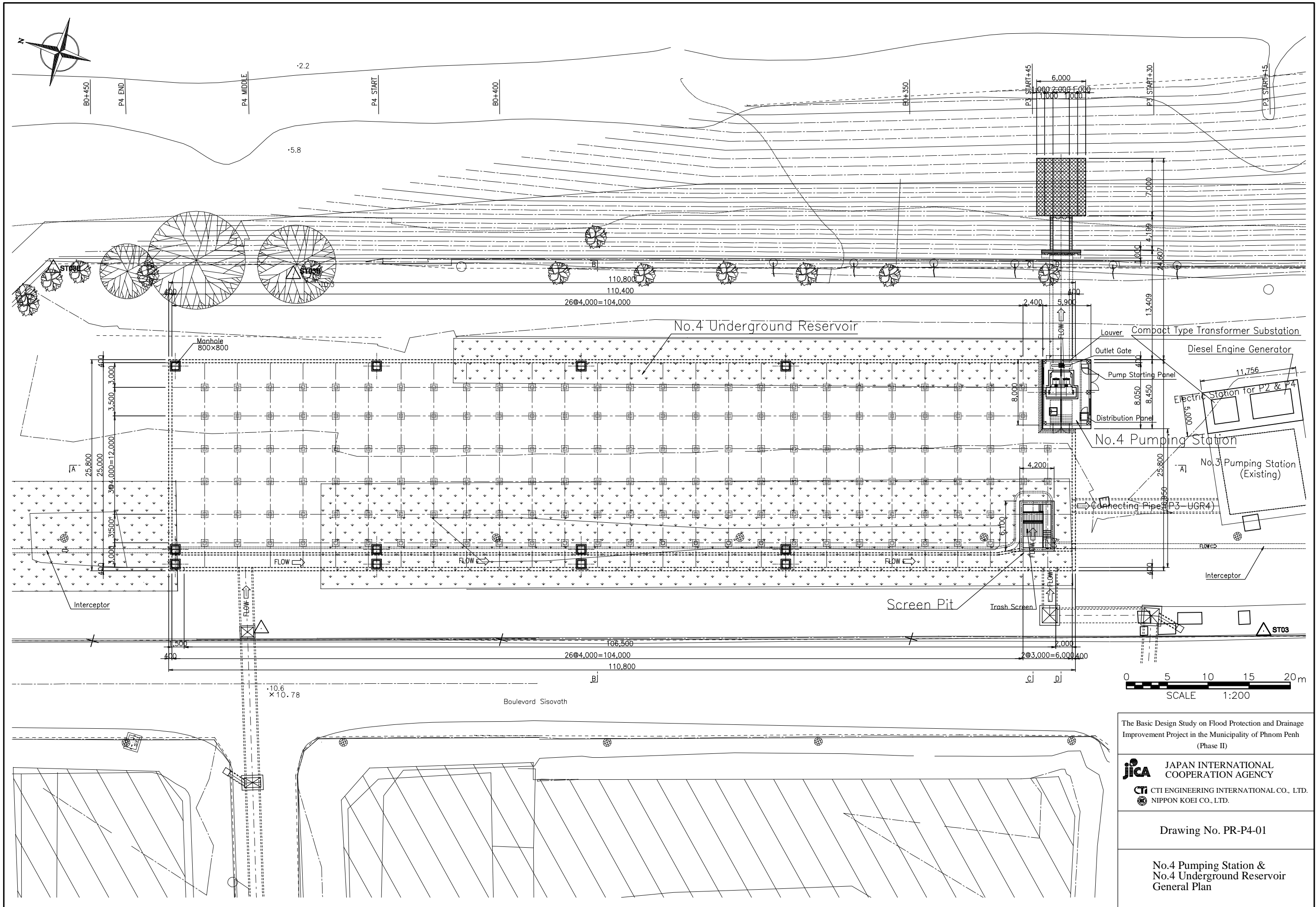
SCALE B

The Basic Design Study on Flood Protection and Drainage Improvement Project in the Municipality of Phnom Penh (Phase II)

JICA JAPAN INTERNATIONAL COOPERATION AGENCY
CTI CTI ENGINEERING INTERNATIONAL CO., LTD.
NK NIPPON KOEI CO., LTD.

Drawing No. PR-P2-05

No.2 Pumping Station & No.2 Underground Reservoir Screen Pit and Pump O&M House

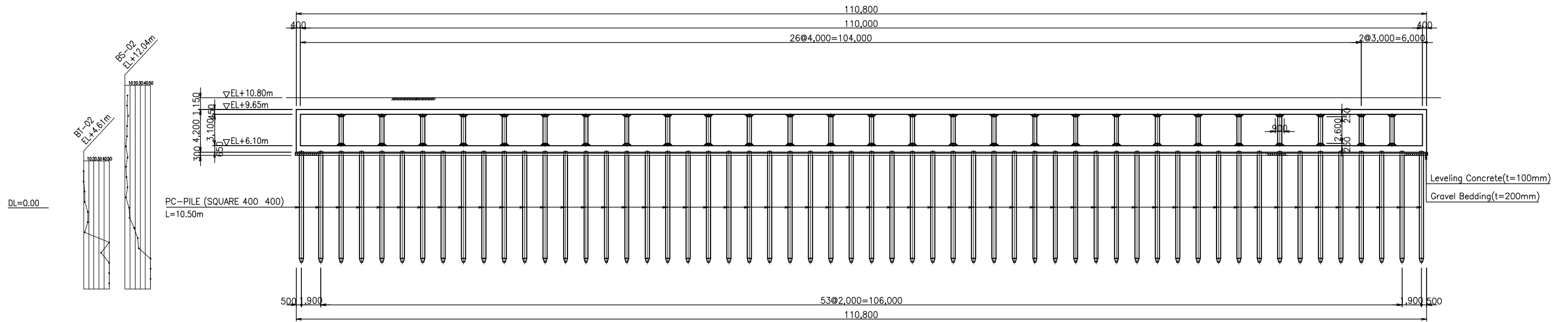


The Basic Design Study on Flood Protection and Drainage Improvement Project in the Municipality of Phnom Penh (Phase II)

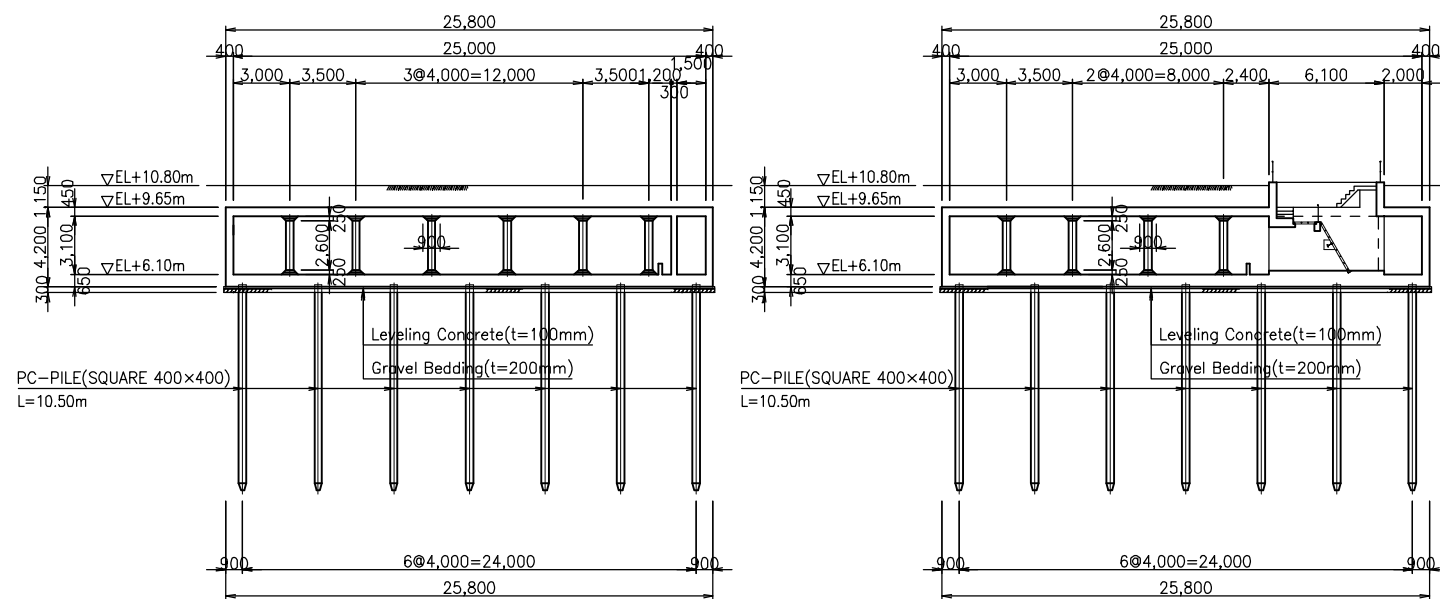
jica JAPAN INTERNATIONAL COOPERATION AGENCY
CTI CTI ENGINEERING INTERNATIONAL CO., LTD.
NK NIPPON KOEI CO., LTD.

Drawing No. PR-P4-01

No.4 Pumping Station & No.4 Underground Reservoir General Plan

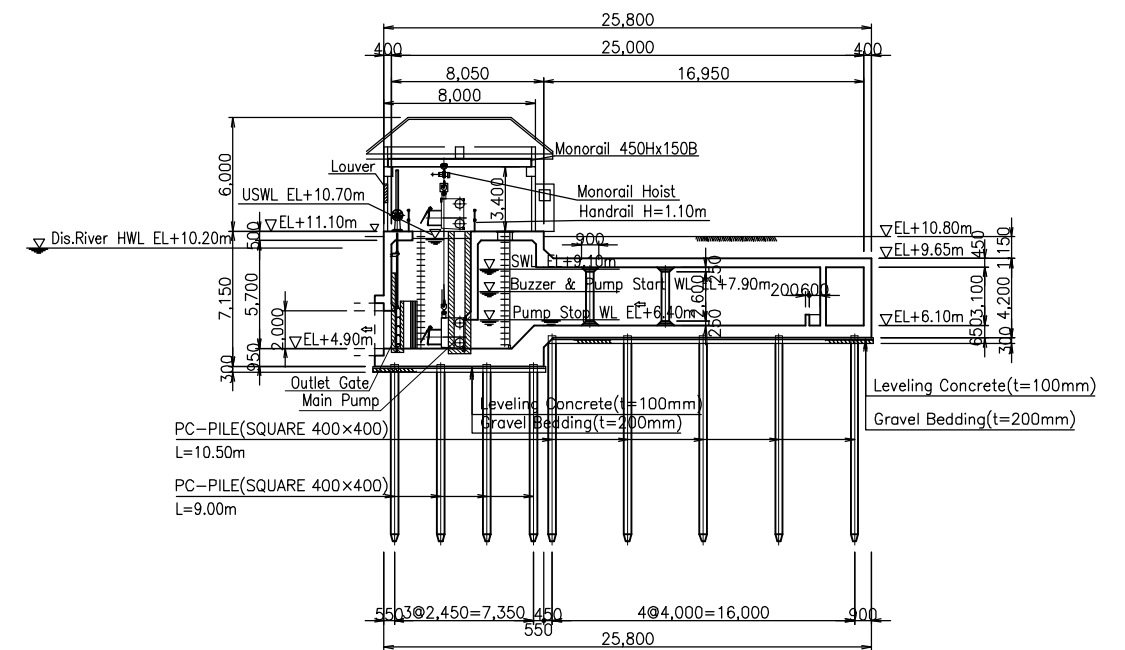


Section A - A

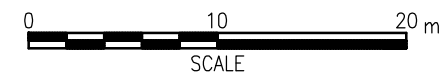


Section B - B

Section C - C



Section D - D



The Basic Design Study on Flood Protection and Drainage Improvement Project in the Municipality of Phnom Penh (Phase II)

JICA JAPAN INTERNATIONAL COOPERATION AGENCY
CTI CTI ENGINEERING INTERNATIONAL CO., LTD.
NK NIPPON KOEI CO., LTD.

Drawing No. PR-P4-02

No.4 Pumping Station & No.4 Underground Reservoir Typical Sections

