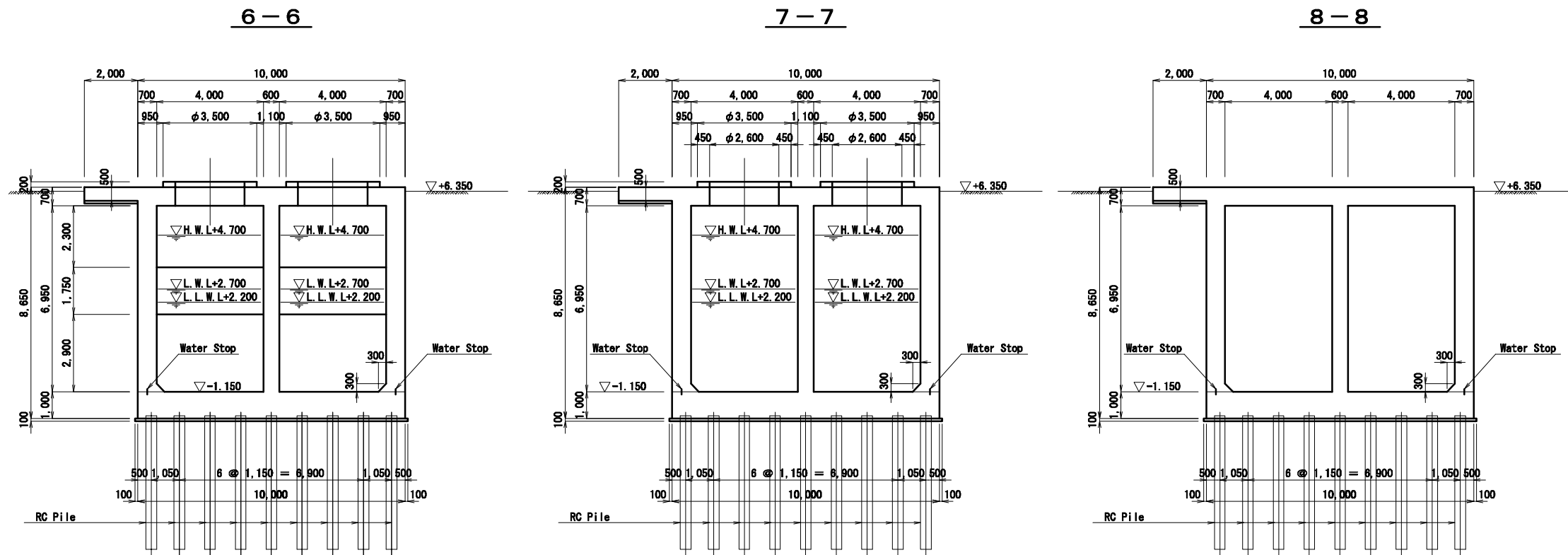


Basic Design Study on The Project for Improvement of Storm Water Drainage System in Dhaka City (Phase II)
 CTI Engineering International Co., Ltd

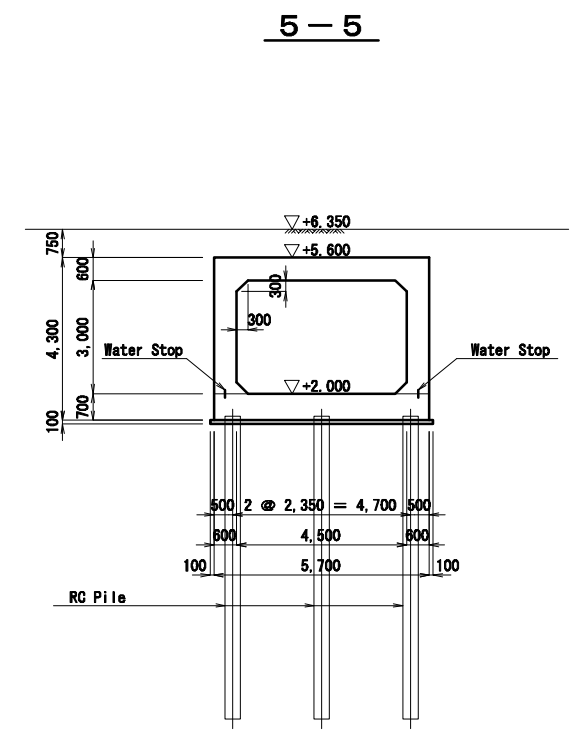
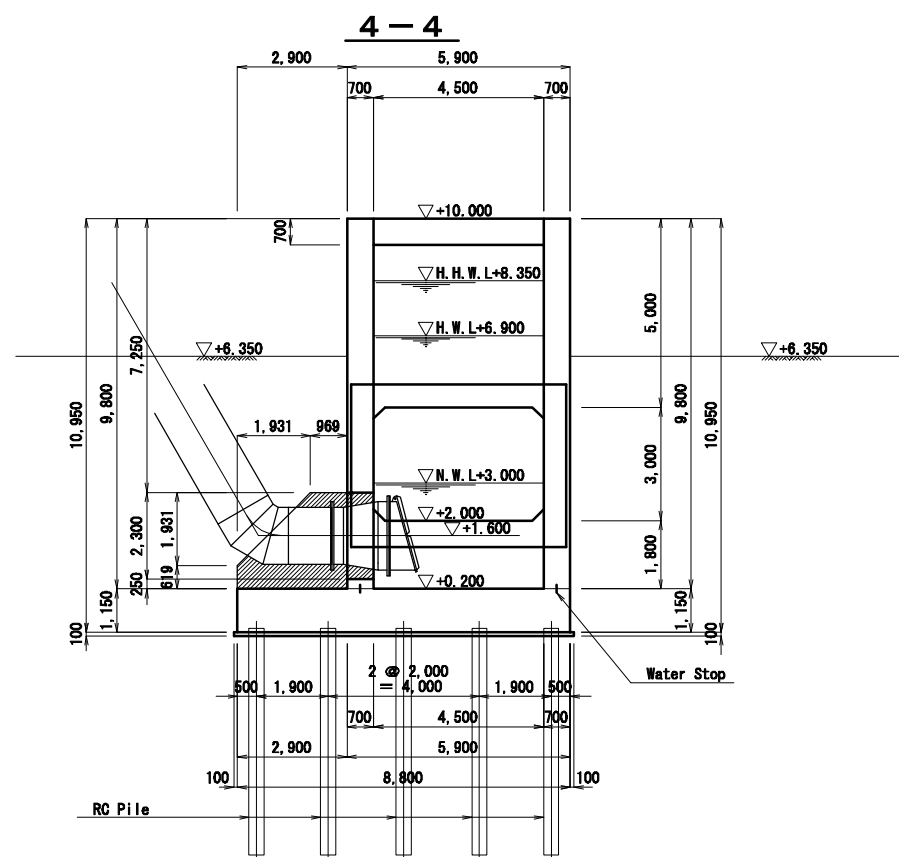
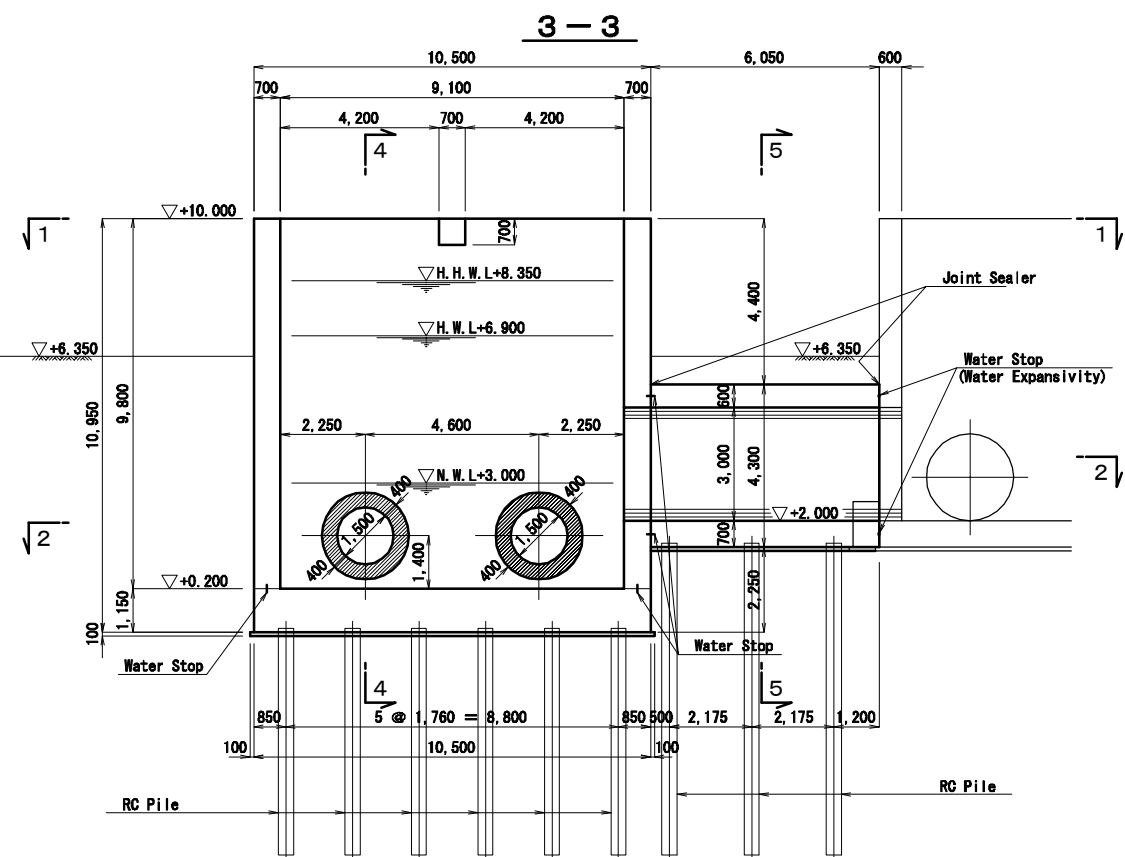
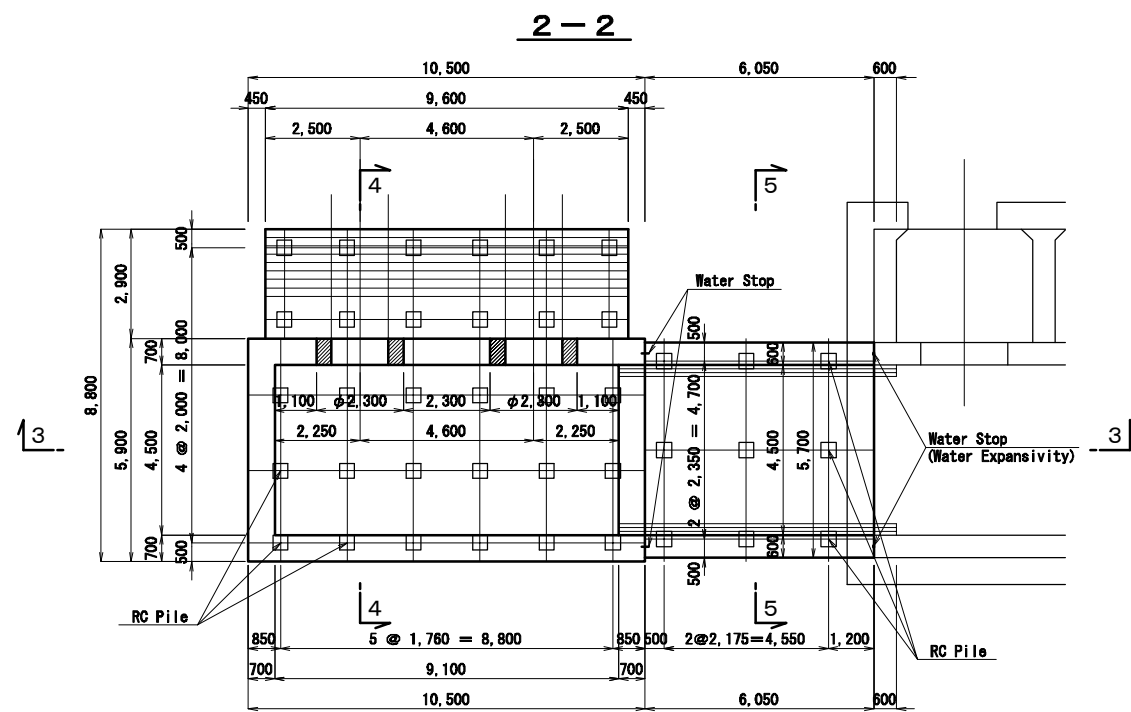
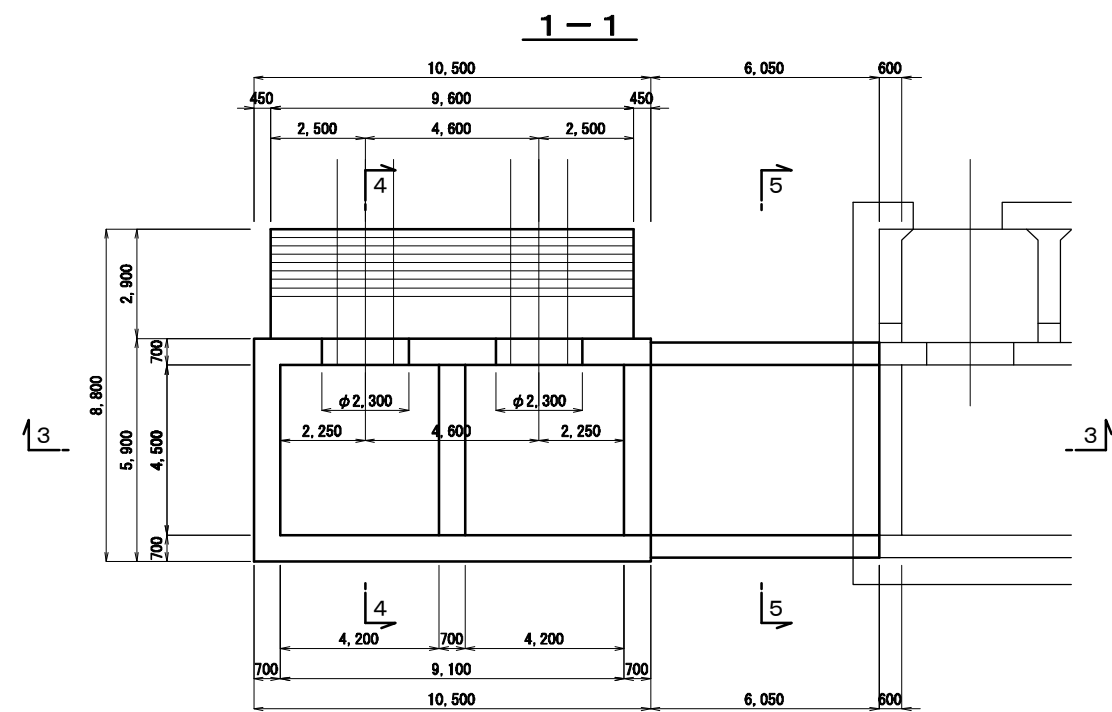
Drawing No.
 Fig. 2.12 PUMPING STATION (1)



Basic Design Study on The Project for Improvement of
Storm Water Drainage System in Dhaka City (Phase II)
CTI Engineering International Co., Ltd

Drawing No.

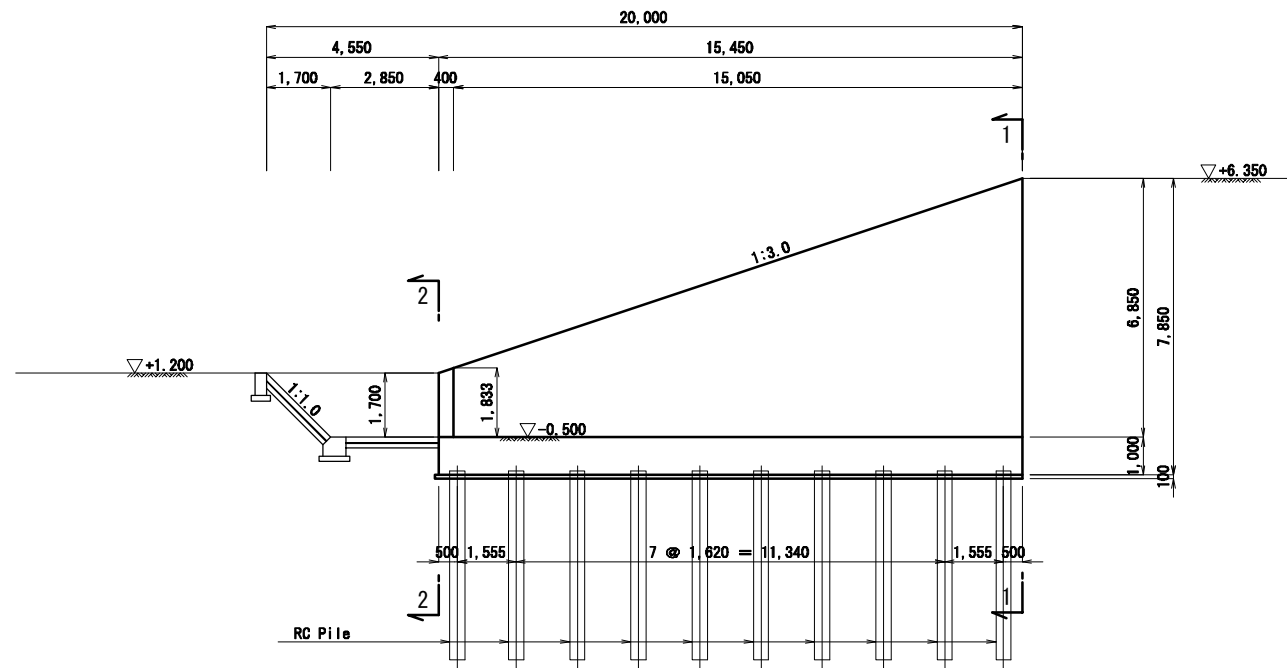
Fig. 2.13 PUMPING STATION (2)



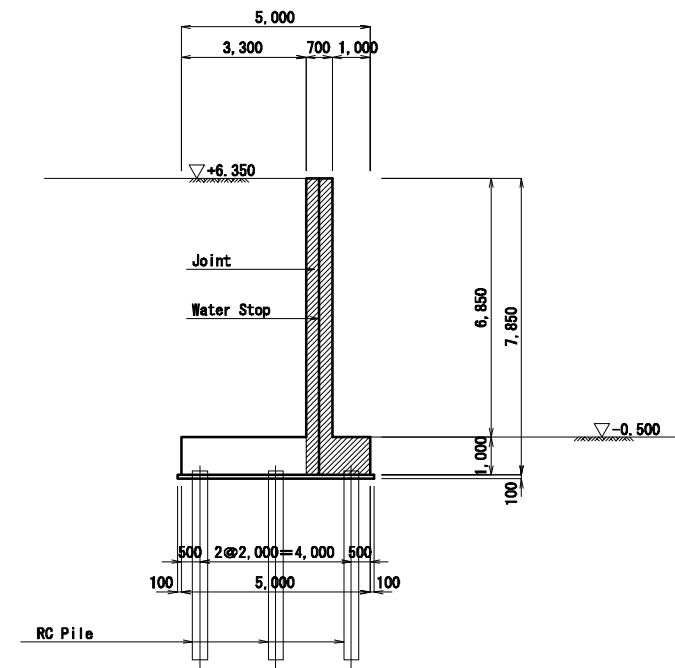
Basic Design Study on The Project for Improvement of Storm Water Drainage System in Dhaka City (Phase II)
CTI Engineering International Co., Ltd

Drawing No.
Fig. 2.14 SURGE TANK

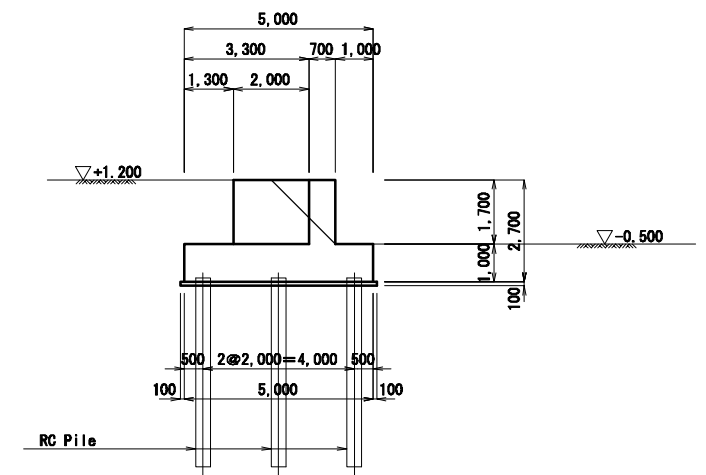
Longitudinal Profile



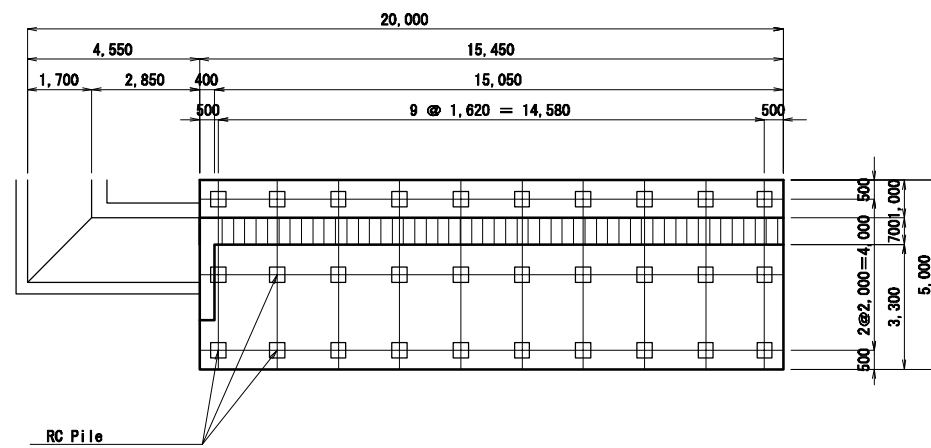
1-1



2-2



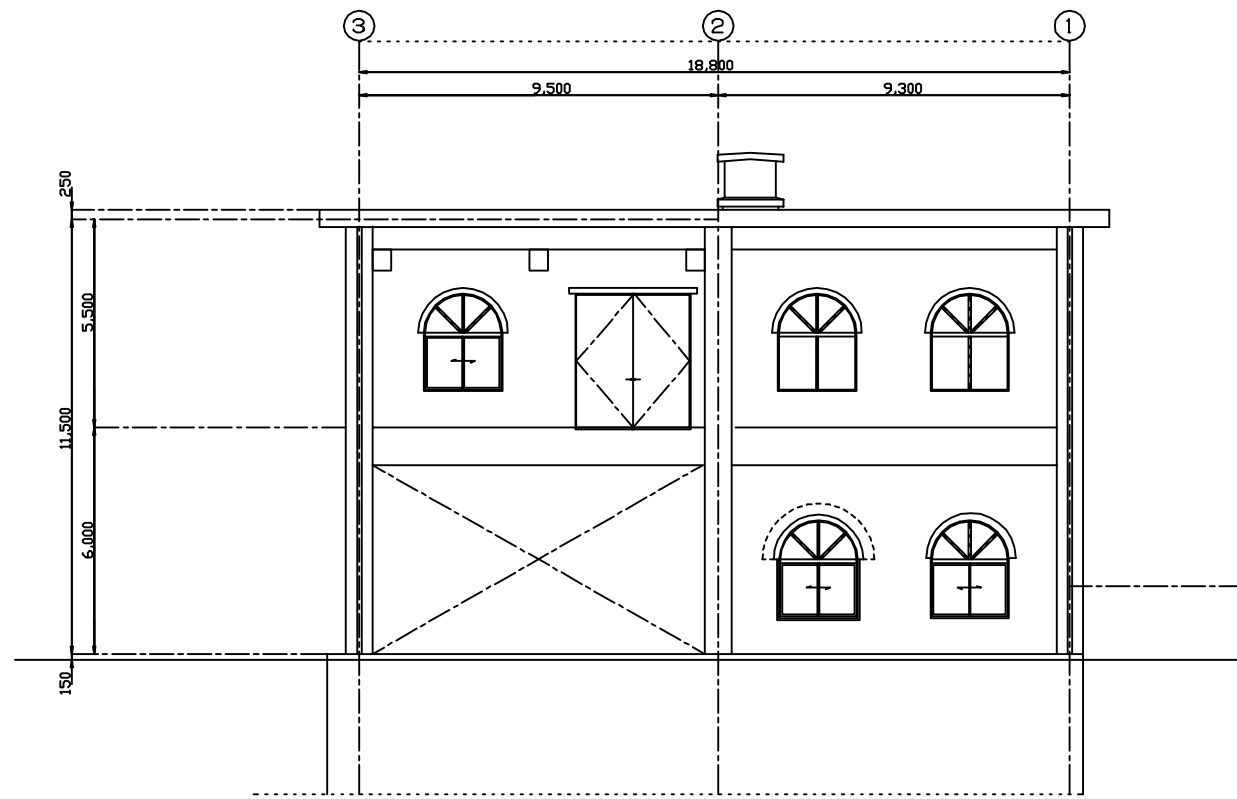
Plan



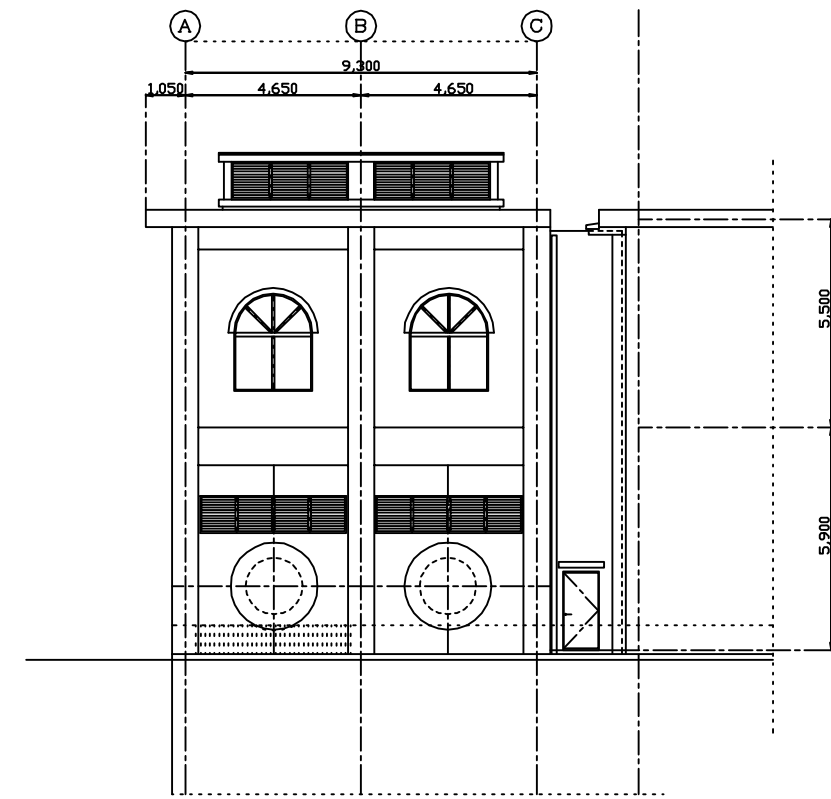
Basic Design Study on The Project for Improvement of Storm Water Drainage System in Dhaka City (Phase II)
CTI Engineering International Co., Ltd

Drawing No.

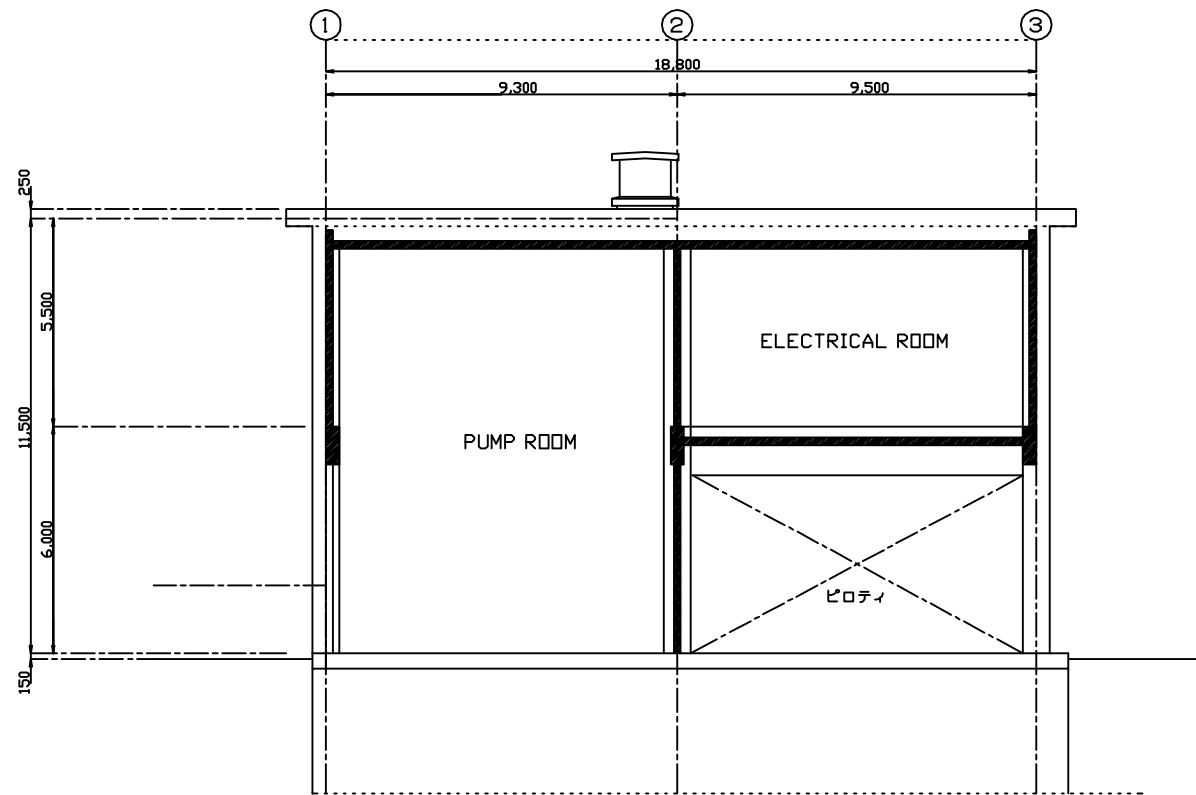
Fig. 2.15 RETAINING WALL



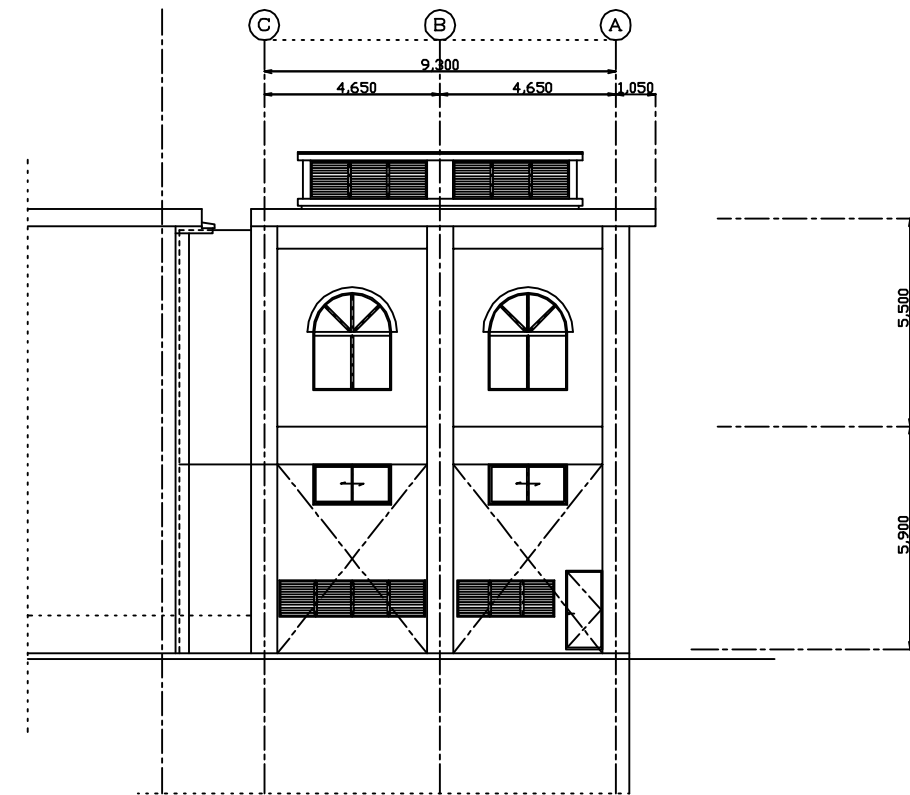
ELEVATION (North)



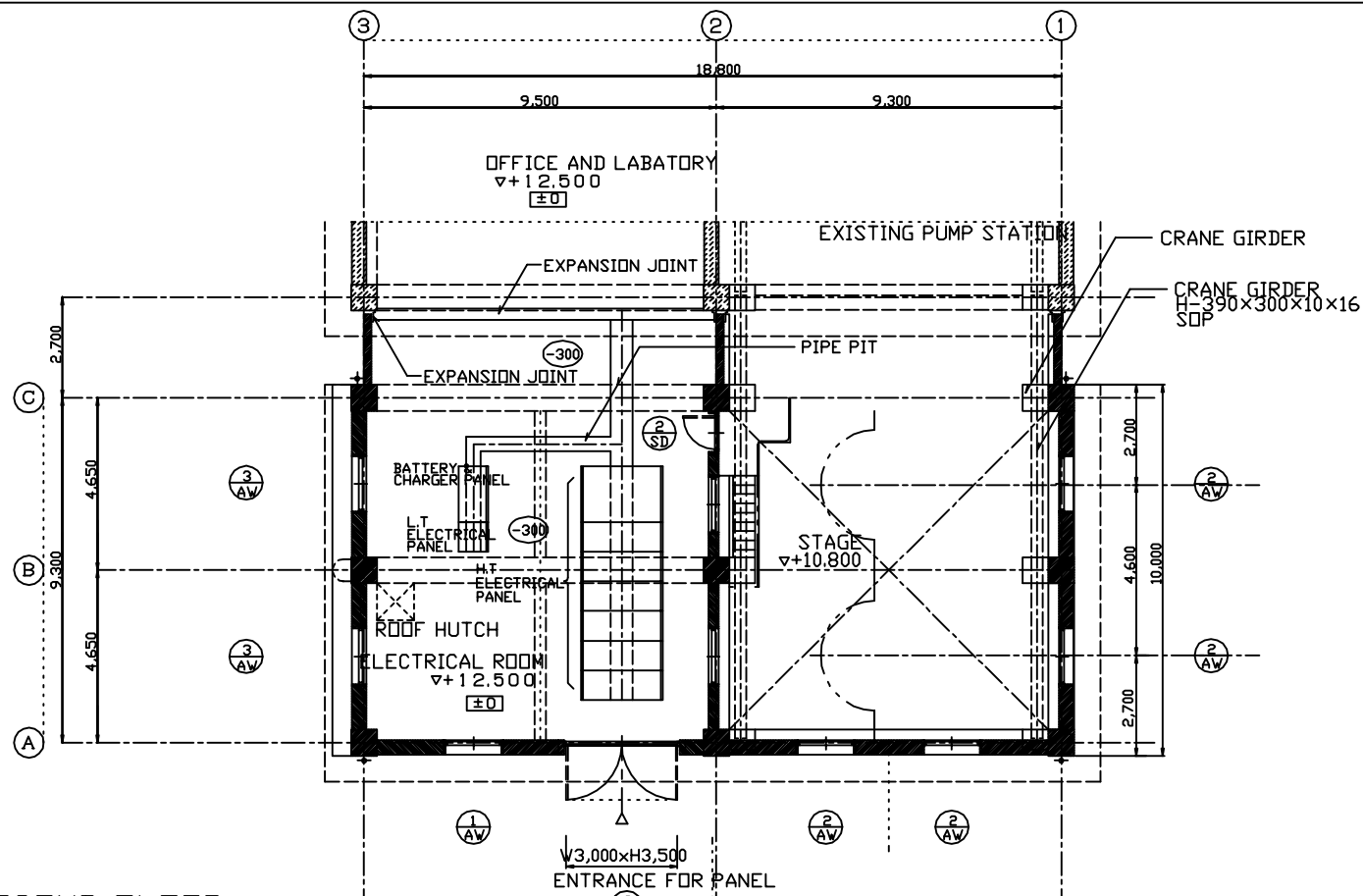
ELEVATION (West)



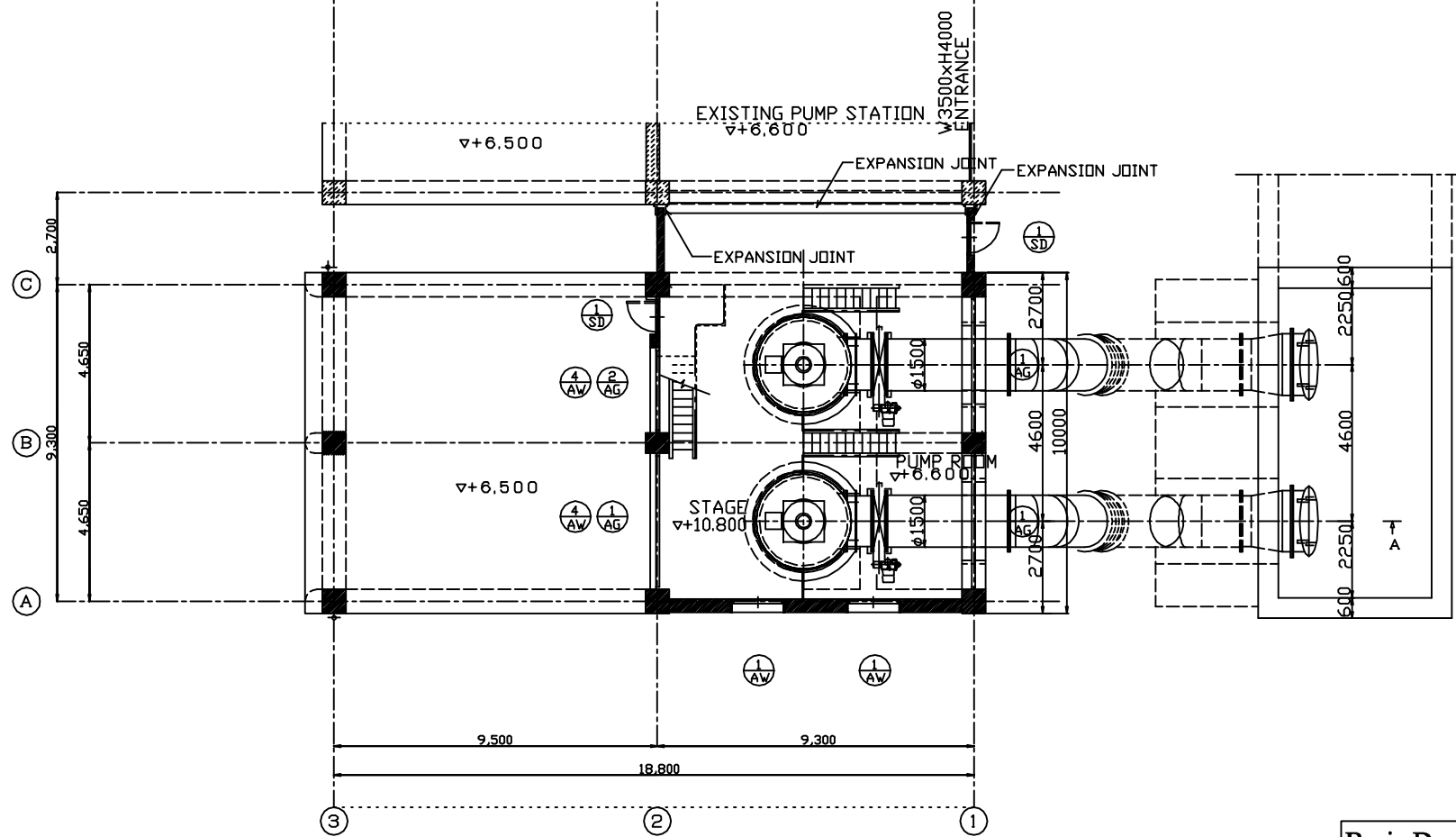
ELEVATION (Existing) (South)



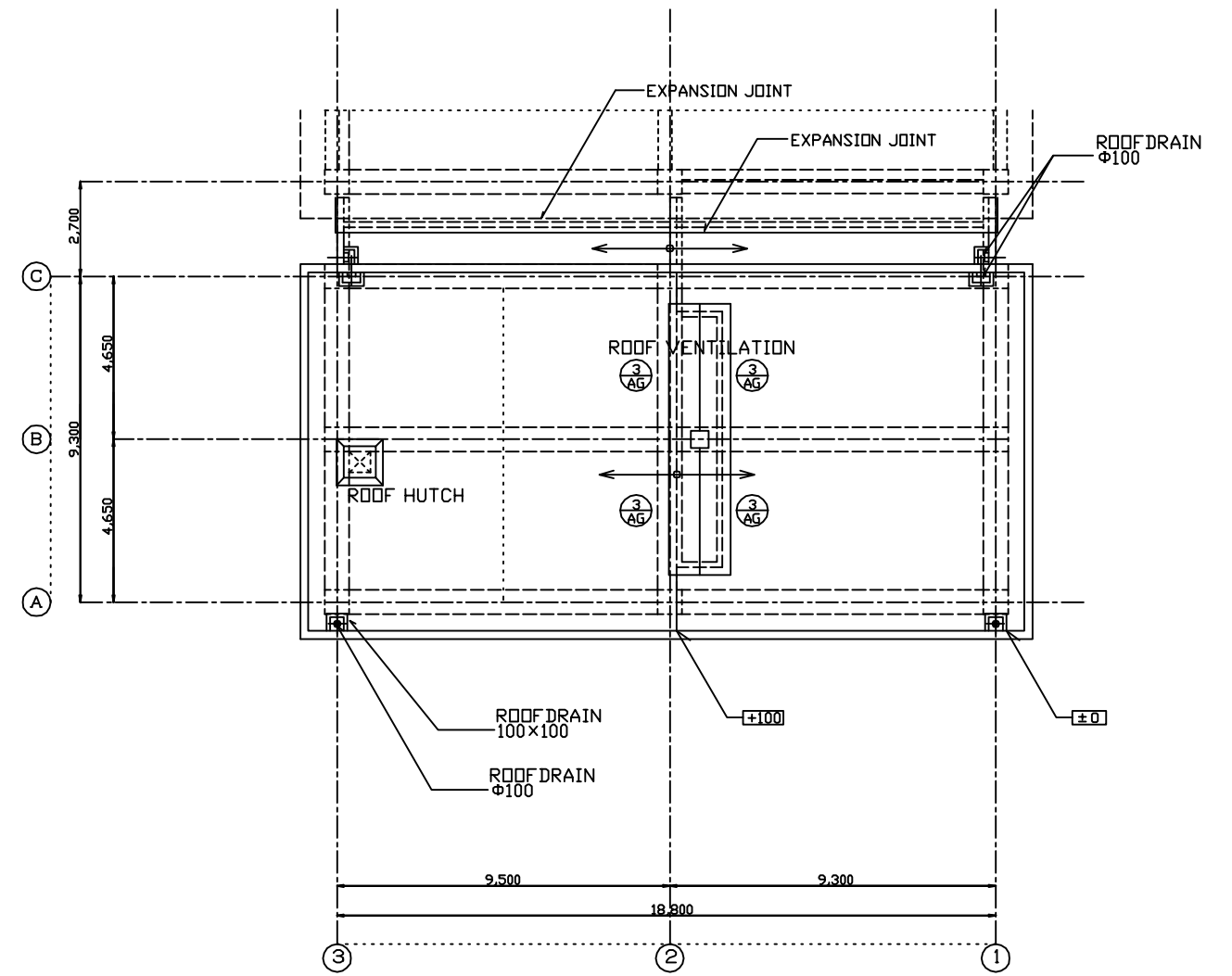
ELEVATION (East)



SECOND FLOOR



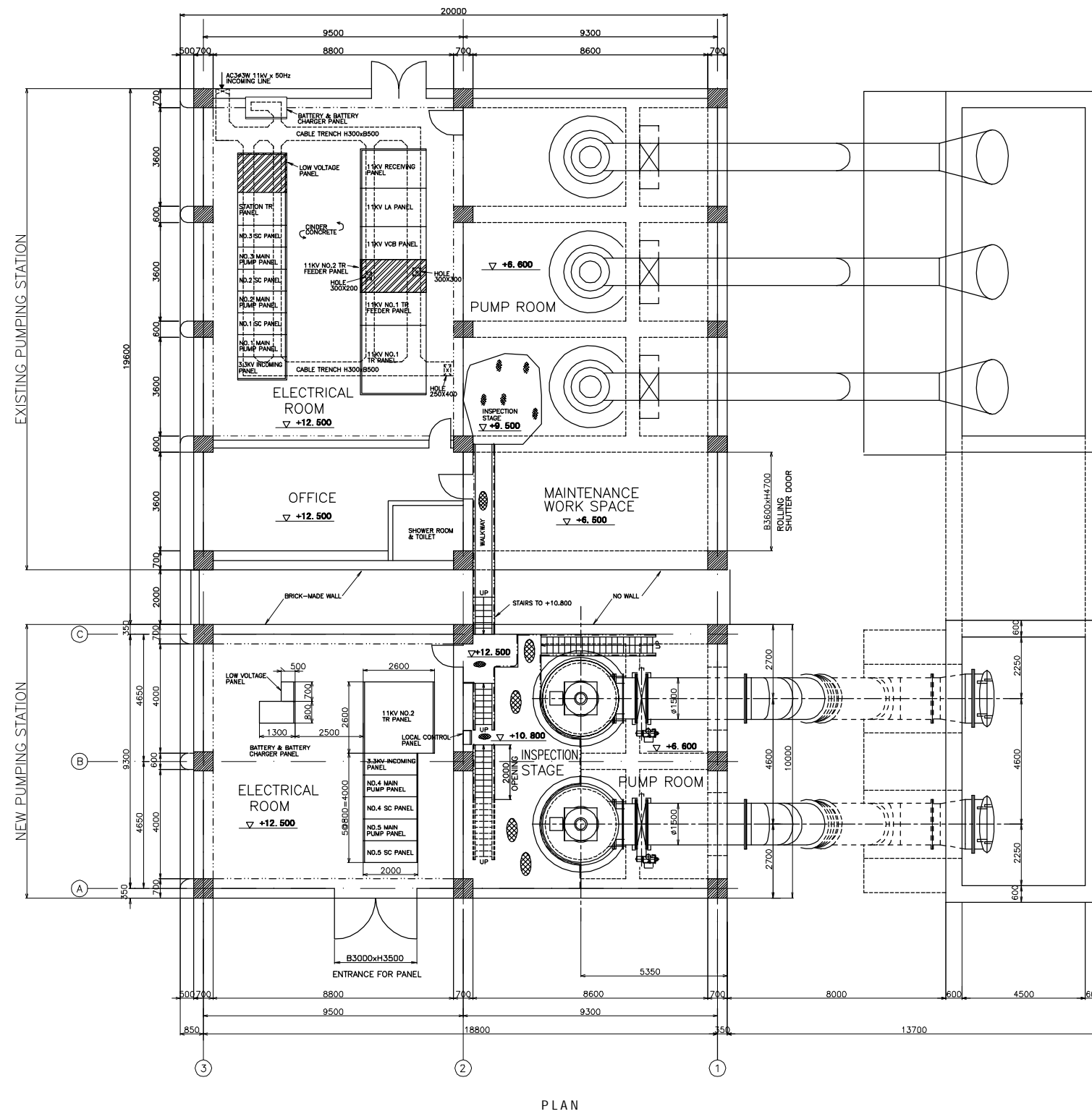
FIRST FLOOR



ROOFTOP

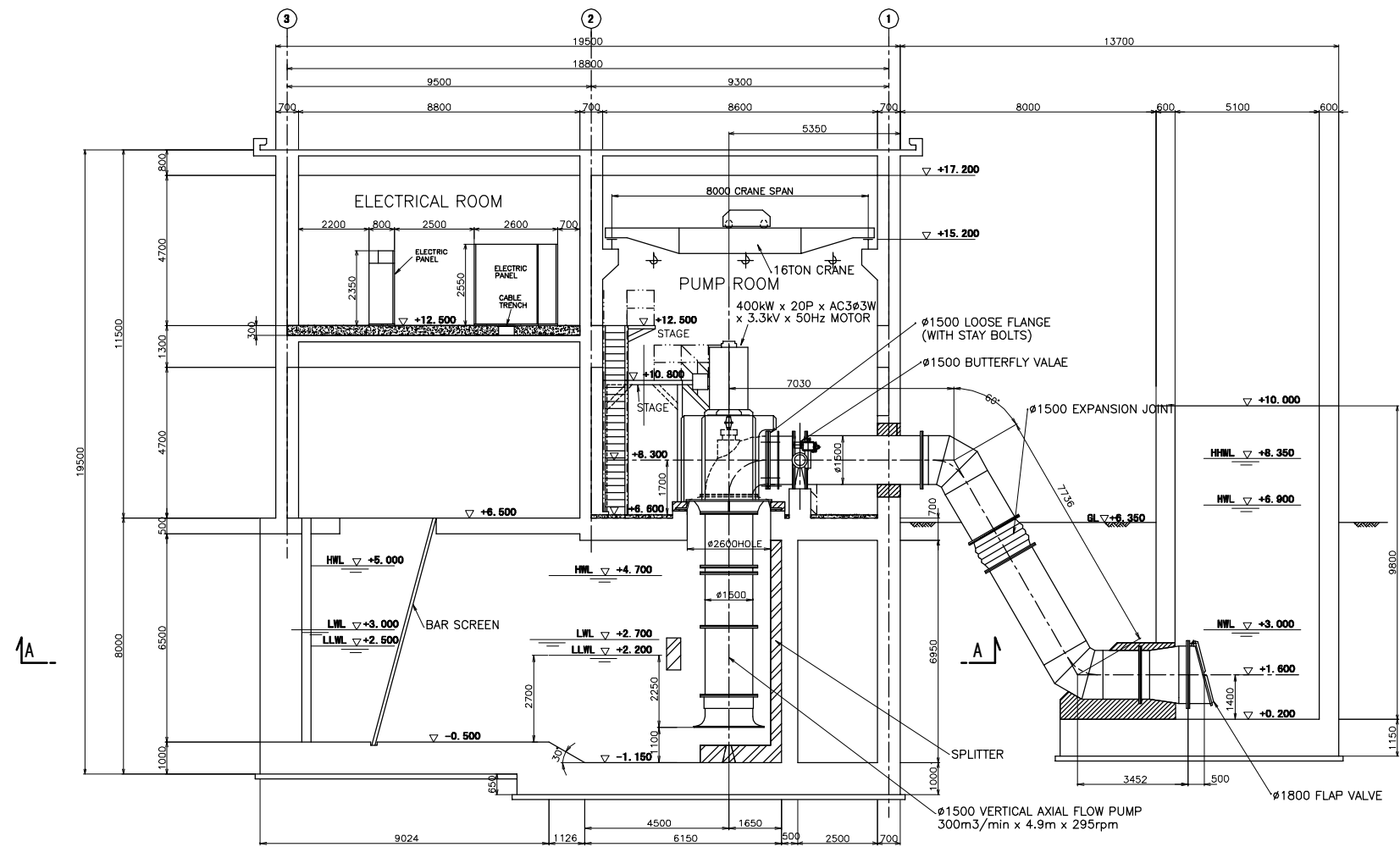
Basic Design Study on The Project for Improvement of Storm Water Drainage System in Dhaka City (Phase II)
CTI Engineering International Co., Ltd

Drawing No.
Fig. 2.17 DETAIL OF FLOORS

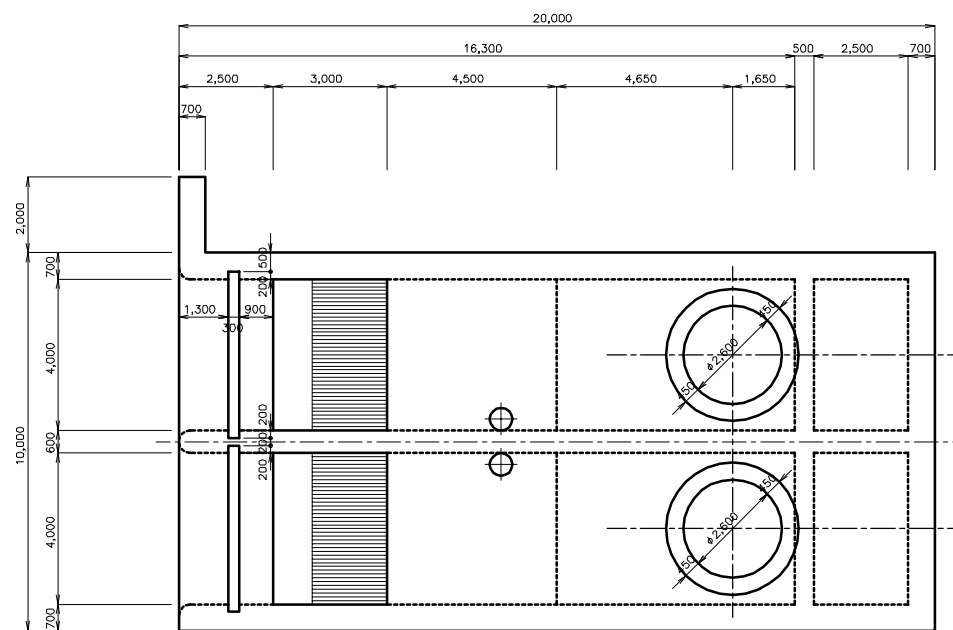


Basic Design Study on The Project for Improvement of Storm Water Drainage System in Dhaka City (Phase II)
CTI Engineering International Co., Ltd

Drawing No. Fig. 2.18 PLAN OF FACILITY AND EQUIPMENT OF PUMPING STATION



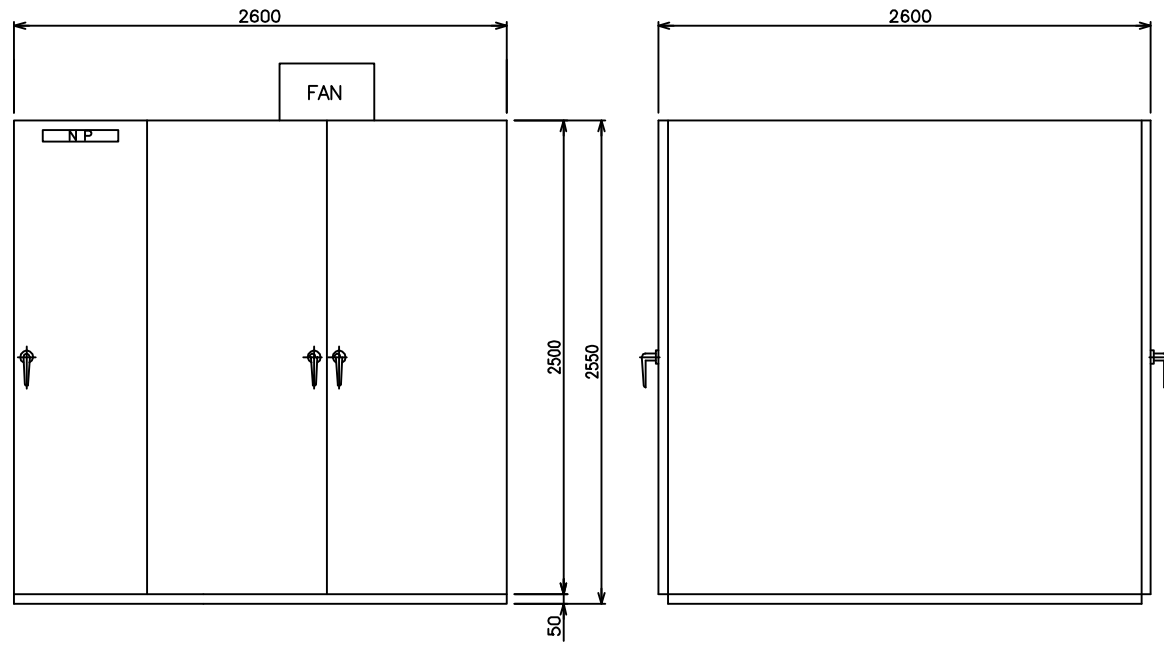
SECTION VIEW OF NEW PUMPING STATION



SECTION A-A

Basic Design Study on The Project for Improvement of Storm Water Drainage System in Dhaka City (Phase II)
 CTI Engineering International Co., Ltd

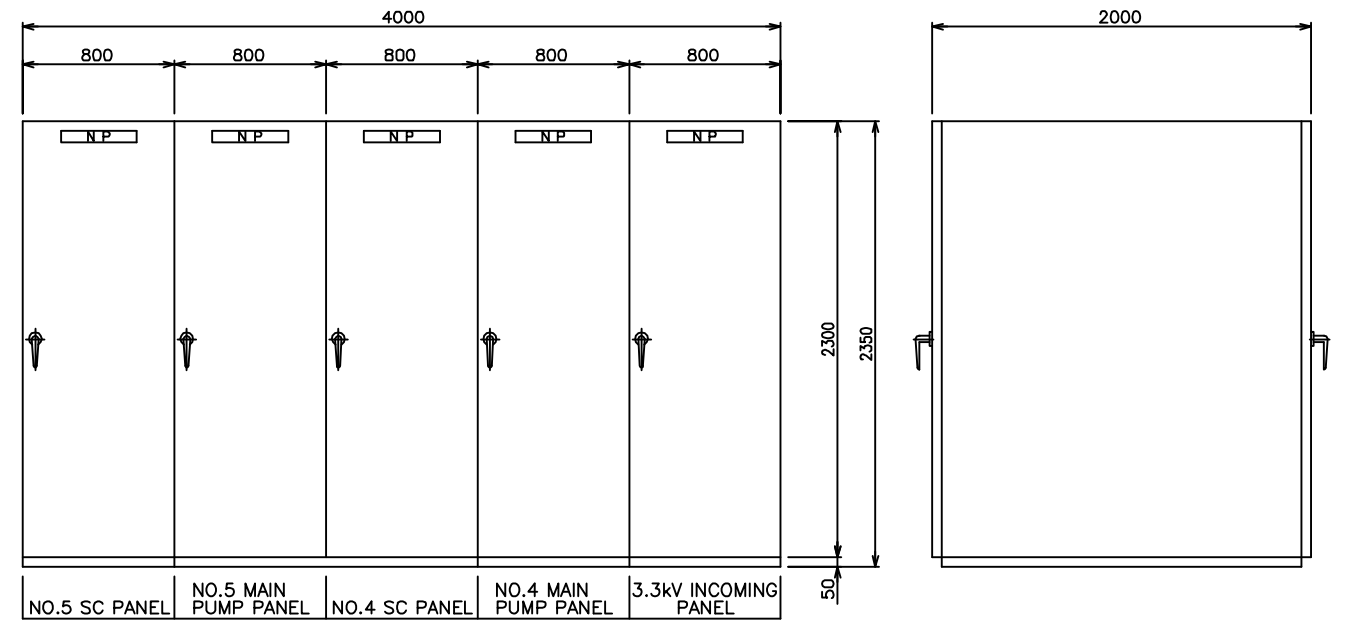
Drawing No. Fig. 2.19 ELEVATION OF FACILITY AND EQUIPMENT OF PUMPING STATION



FRONT VIEW

SIDE VIEW

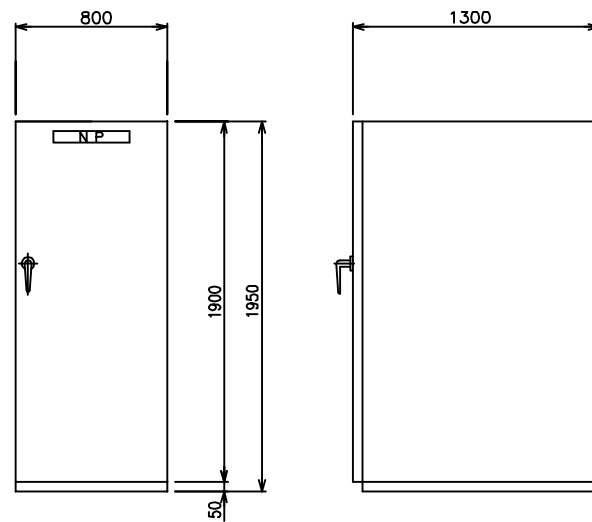
11kV NO.2 TR PANEL
S=1/20



FRONT VIEW

SIDE VIEW

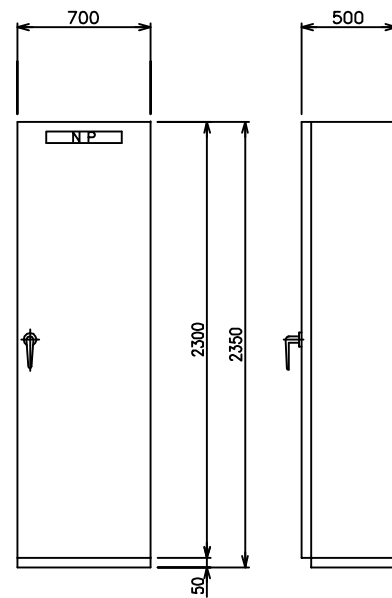
3.3kV INCOMING, MAIN PUMP PANEL
S=1/20



FRONT VIEW

SIDE VIEW

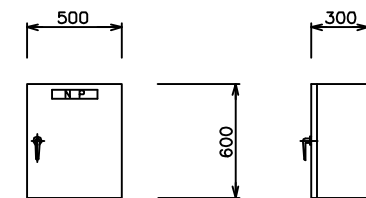
BATTERY & BATTERY CHARGER PANEL
S=1/20



FRONT VIEW

SIDE VIEW

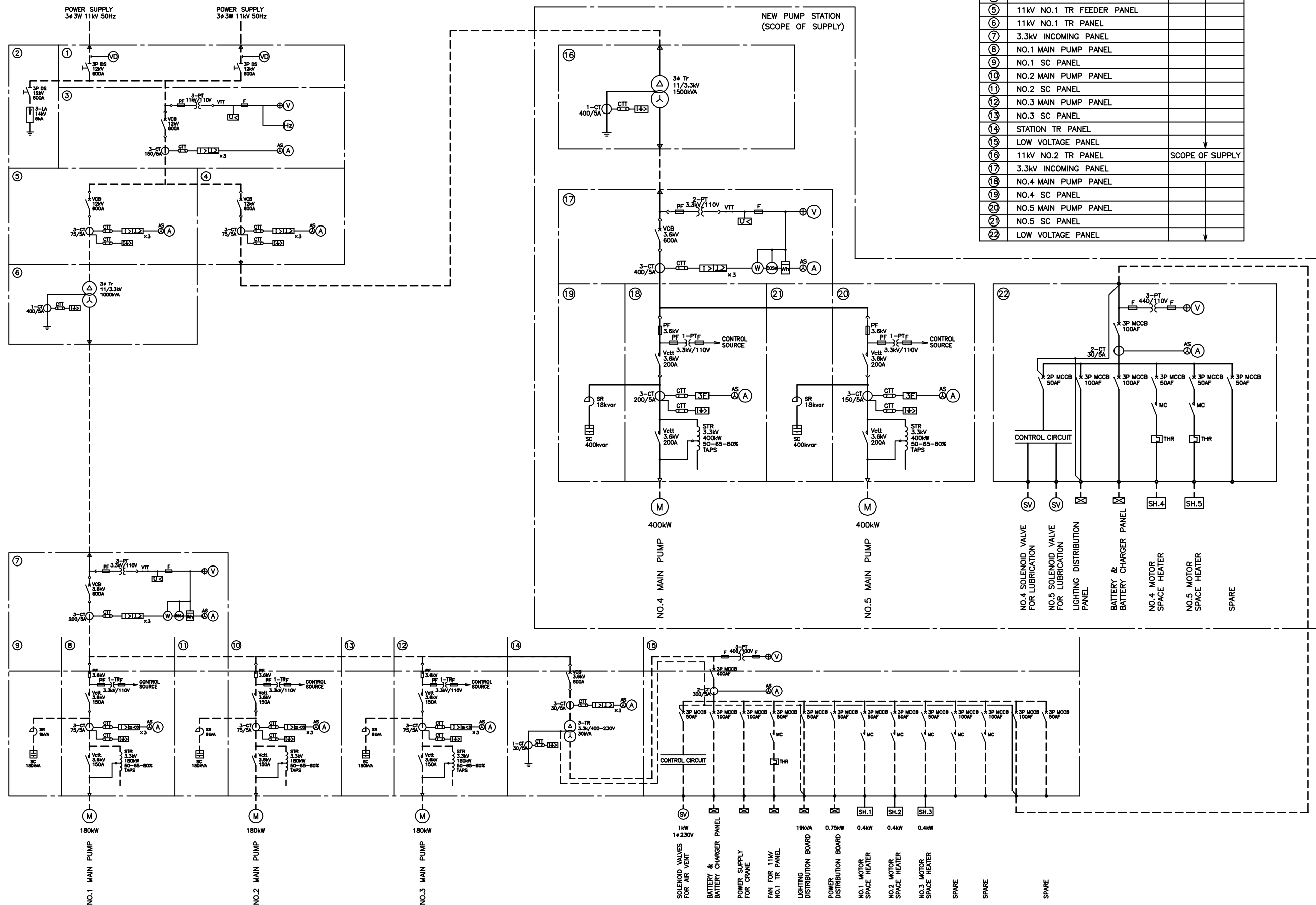
LOW VOLTAGE PANEL
S=1/20



FRONT VIEW

SIDE VIEW

LOCAL CONTROL PANEL FOR MAIN PUMP
S=1/20



PANEL LIST		
NO.	PANEL NAME	REMARKS
①	11kV RECEIVING PANEL	EXISTING
②	11kV LA PANEL	
③	11kV VCB PANEL	
④	11kV NO.2 TR FEEDER PANEL	
⑤	11kV NO.1 TR FEEDER PANEL	
⑥	11kV NO.1 TR PANEL	
⑦	3.3kV INCOMING PANEL	
⑧	NO.1 MAIN PUMP PANEL	
⑨	NO.1 SC PANEL	
⑩	NO.2 MAIN PUMP PANEL	
⑪	NO.2 SC PANEL	
⑫	NO.3 MAIN PUMP PANEL	
⑬	NO.3 SC PANEL	
⑭	STATION TR PANEL	
⑮	LOW VOLTAGE PANEL	
⑯	11kV NO.2 TR PANEL	SCOPE OF SUPPLY
⑰	3.3kV INCOMING PANEL	
⑱	NO.4 MAIN PUMP PANEL	
⑲	NO.4 SC PANEL	
⑳	NO.5 MAIN PUMP PANEL	
㉑	NO.5 SC PANEL	
㉒	LOW VOLTAGE PANEL	

Basic Design Study on The Project for Improvement of Storm Water Drainage System in Dhaka City (Phase II)
 CTI Engineering International Co., Ltd

Drawing No.
 Fig. 2.21 SINGLE LINE DIAGRAM