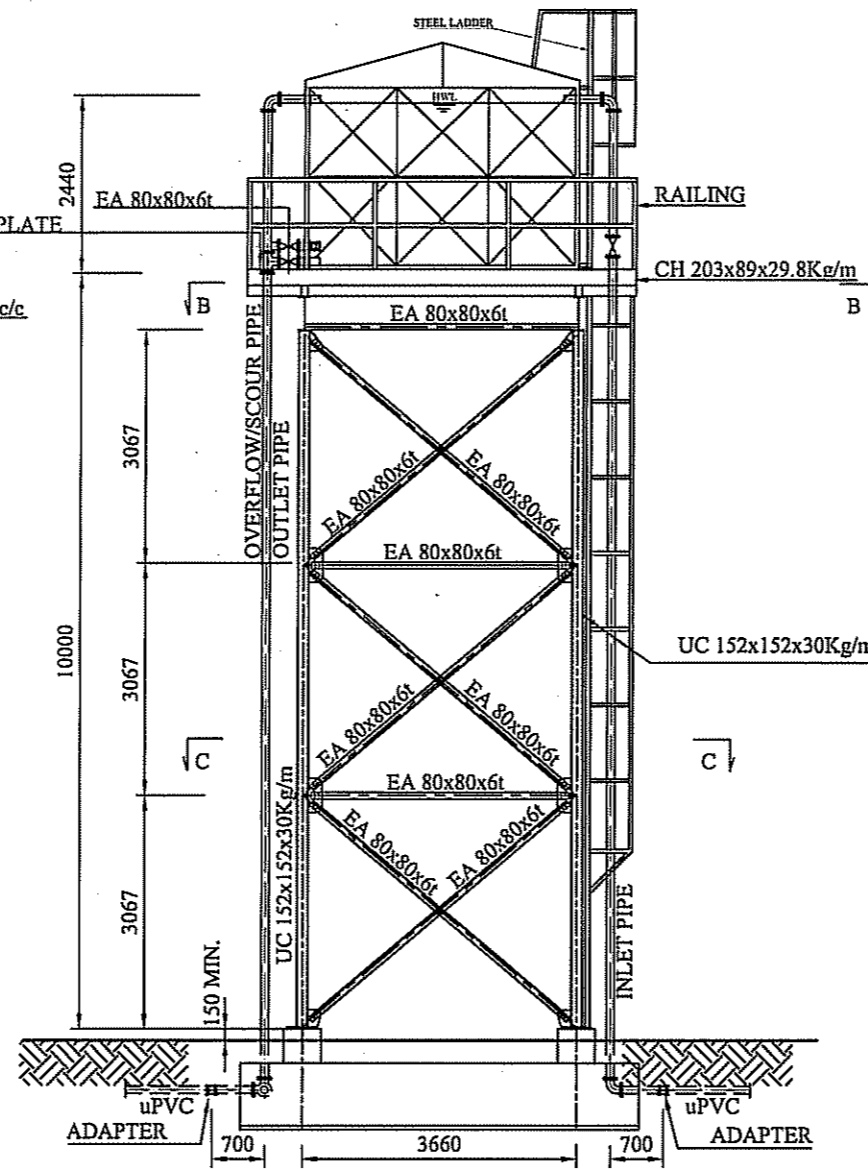
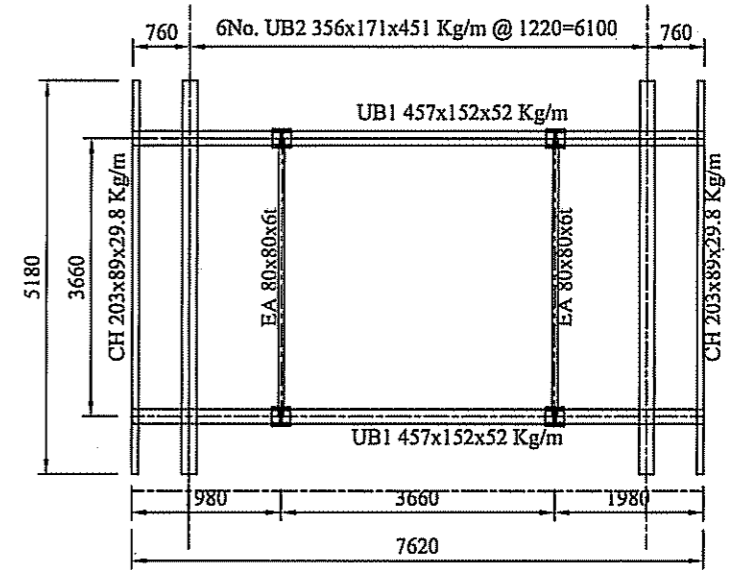


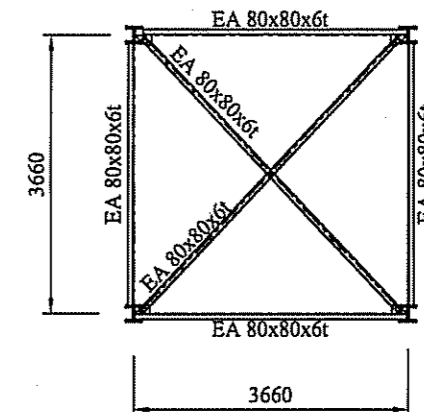
FRONT VIEW
SCALE 1:100



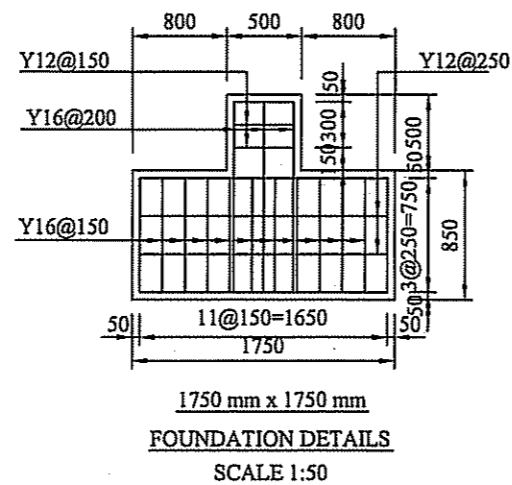
SIDE VIEW
SCALE 1:100



SECTION B-B
SCALE 1:100



SECTION C-C
BRACING AT EVERY LEVEL EXCEPT TOP AND BOTTOM
SCALE 1:100



FOUNDATION DETAILS
SCALE 1:50

LOCATION No.	TANK TYPE	INLET PIPE (mm)	OUTLET PIPE (mm)
4	V50	GI 80	GI 80

NOTE:

- SHS - SQUARE HOLLOW SECTION
- UB - UNIVERSAL BEAM
- UC - UNIVERSAL COLUMN
- CH - CHANNEL SECTION
- EA - EQUAL ANGLE

OWNER:
THE MINISTRY OF WATER AND IRRIGATION
THE REPUBLIC OF KENYA

PROJECT NAME:
THE PROJECT FOR
RURAL WATER SUPPLY

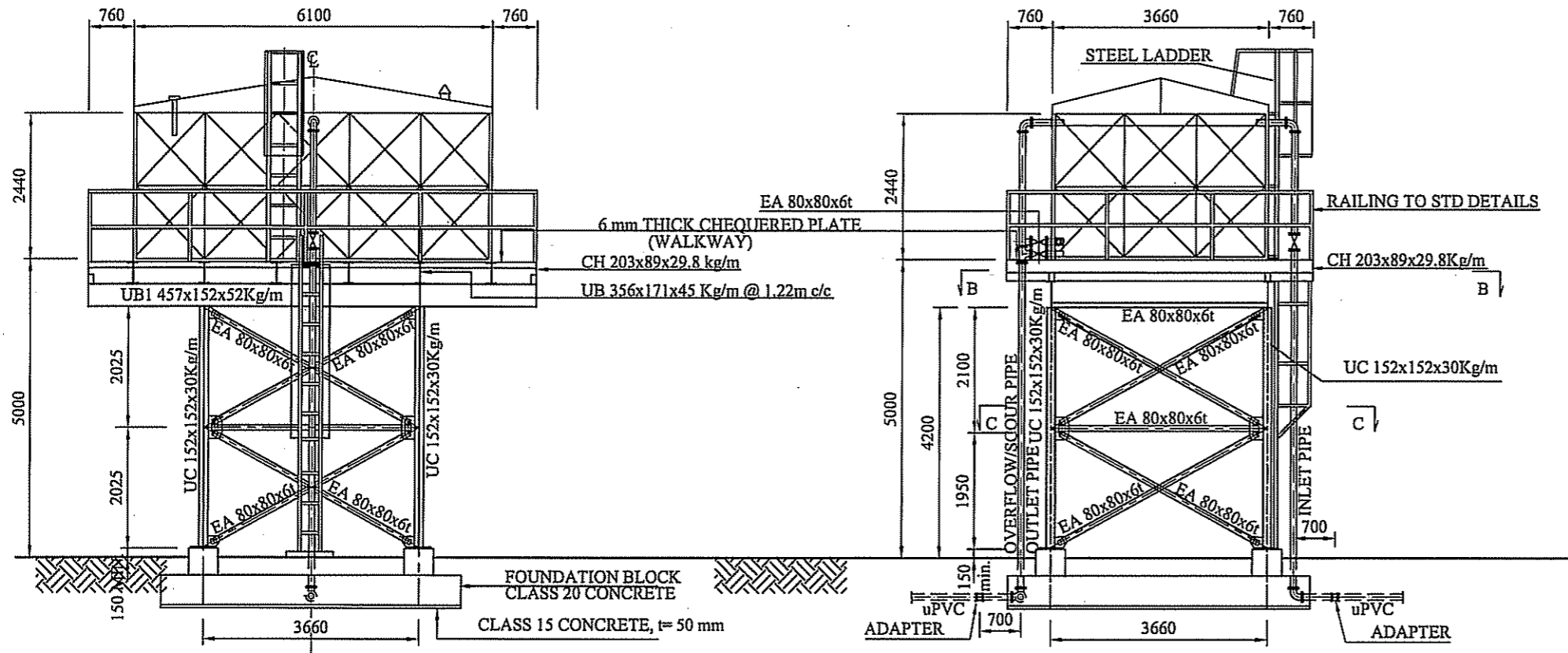
CONSULTING ENGINEERS:
 NIPPON KOEI CO., LTD.

TITLE:
CONSTRUCTION OF WATER SUPPLY FACILITIES BY SUBMERSIBLE PUMP
ELEVATED STORAGE TANK - TYPE I (10 m)

SCALE
1:50
1:100

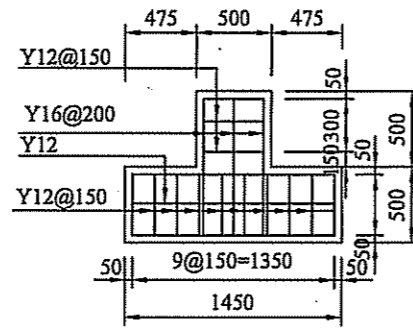
DATE
FEB. 2006

DRAWING NO.
SP-090

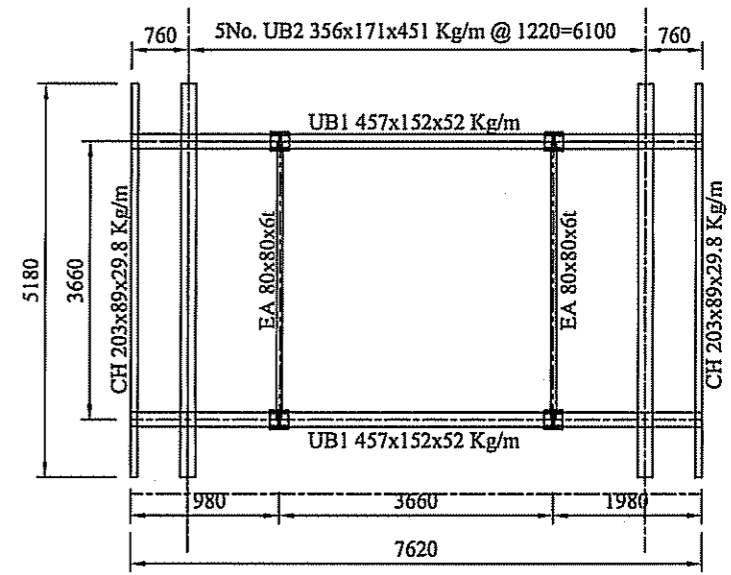


FRONT VIEW
SCALE 1:100

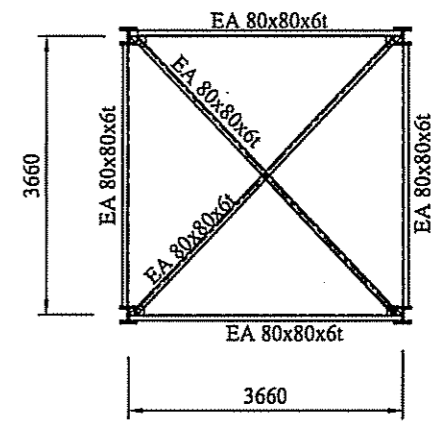
SIDE VIEW
SCALE 1:100



FOUNDATION DETAILS
SCALE 1:50



SECTION B-B
SCALE 1:100



SECTION C-C
BRACING AT TOWER MID-HEIGHT
SCALE 1:100

- NOTE:
- SHS - SQUARE HOLLOW SECTION
 - UB - UNIVERSAL BEAM
 - UC - UNIVERSAL COLUMN
 - CH - CHANNEL SECTION
 - EA - EQUAL ANGLE

LOCATION No.	TANK TYPE	INLET PIPE (mm)	OUTLET PIPE (mm)
41	V50	GI 50	GI 50
54			

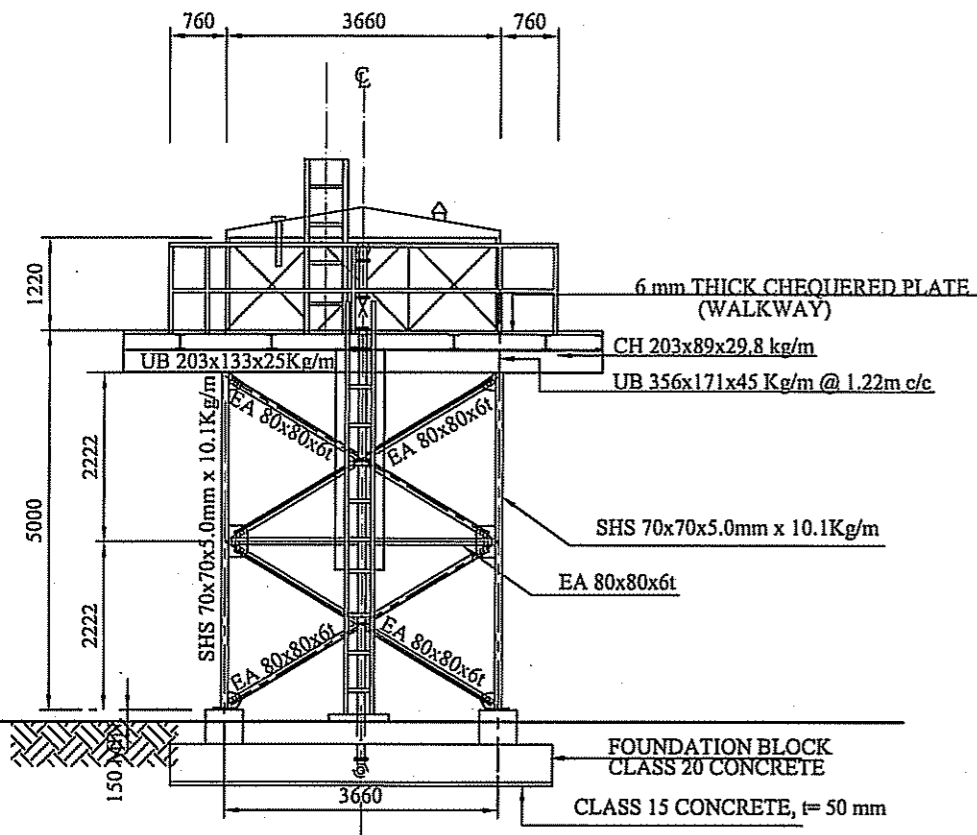
OWNER:
THE MINISTRY OF WATER AND IRRIGATION
THE REPUBLIC OF KENYA

PROJECT NAME:
THE PROJECT FOR
RURAL WATER SUPPLY

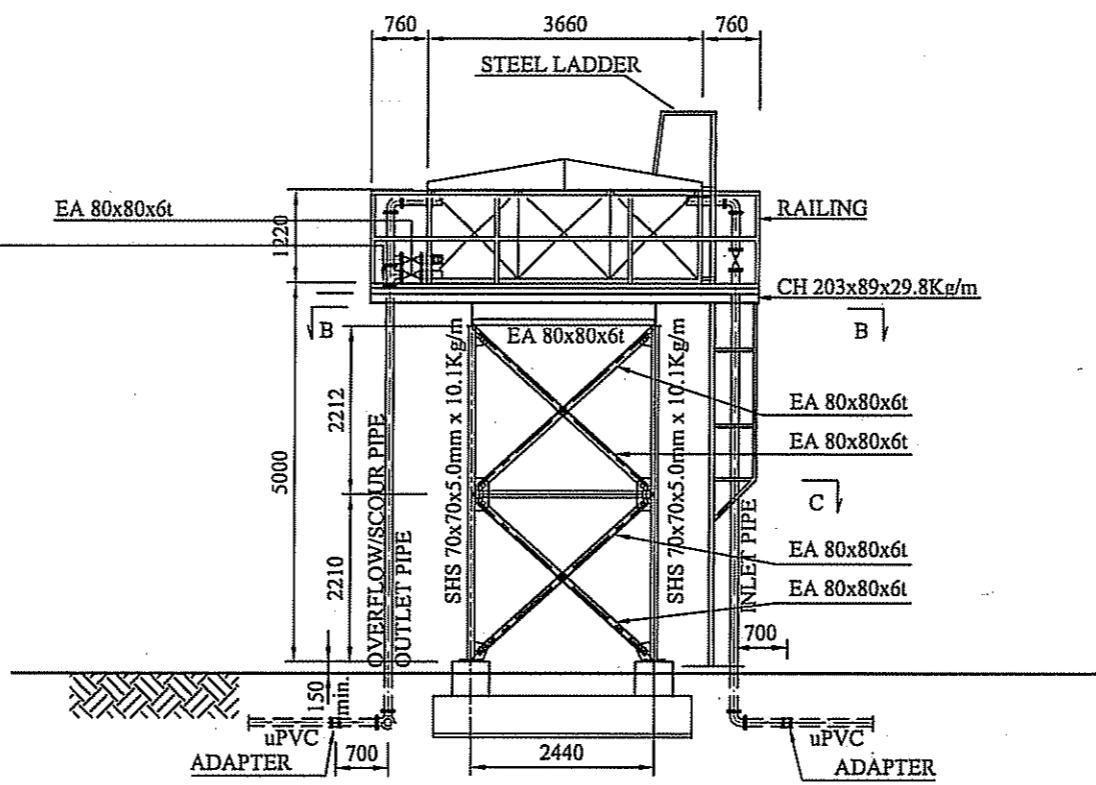
CONSULTING ENGINEERS:
 NIPPON KOEI CO., LTD.

TITLE:
CONSTRUCTION OF WATER SUPPLY FACILITIES BY SUBMERSIBLE PUMP
ELEVATED STORAGE TANK - TYPE III (5 m)

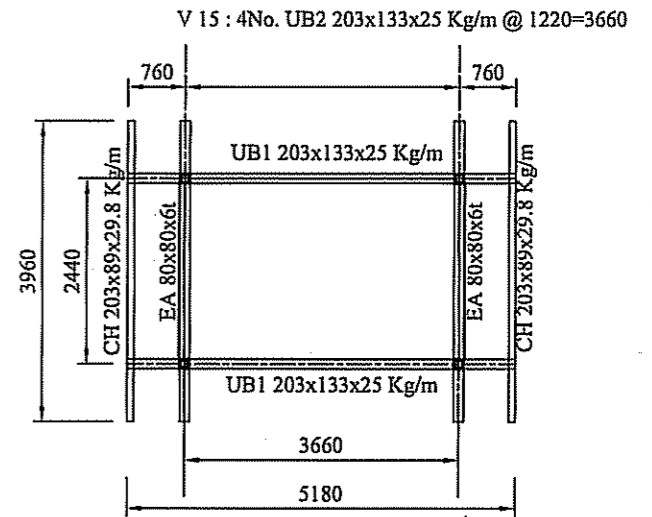
SCALE 1:50 1:100	DATE FEB. 2006	DRAWING NO. SP-091
------------------------	-------------------	-----------------------



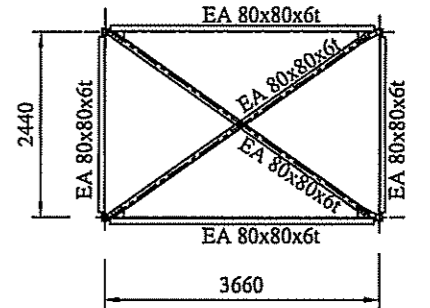
FRONT VIEW
SCALE 1:100



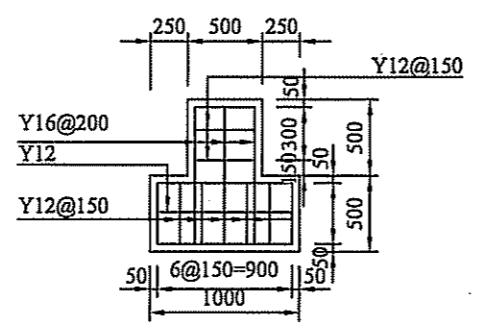
SIDE VIEW
SCALE 1:100



SECTION B-B
SCALE 1:100



SECTION C-C
BRACING AT TOWER MID-HEIGHT
SCALE 1:100



FOUNDATION DETAIL
SCALE 1:50

LOCATION No.	TANK TYPE	INLET PIPE (mm)	OUTLET PIPE (mm)
82	V15	GI 40	GI 50
93			

NOTE:
 SHS - SQUARE HOLLOW SECTION
 UB - UNIVERSAL BEAM
 UC - UNIVERSAL COLUMN
 CH - CHANNEL SECTION
 EA - EQUAL ANGLE

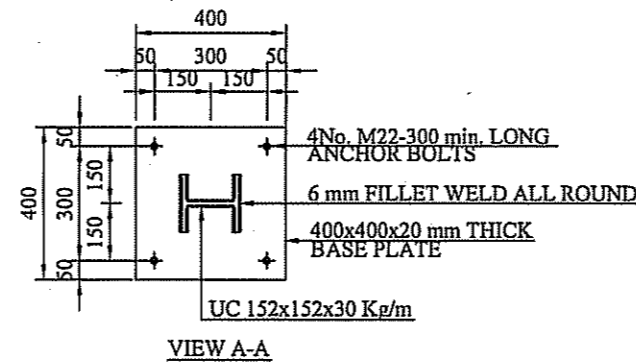
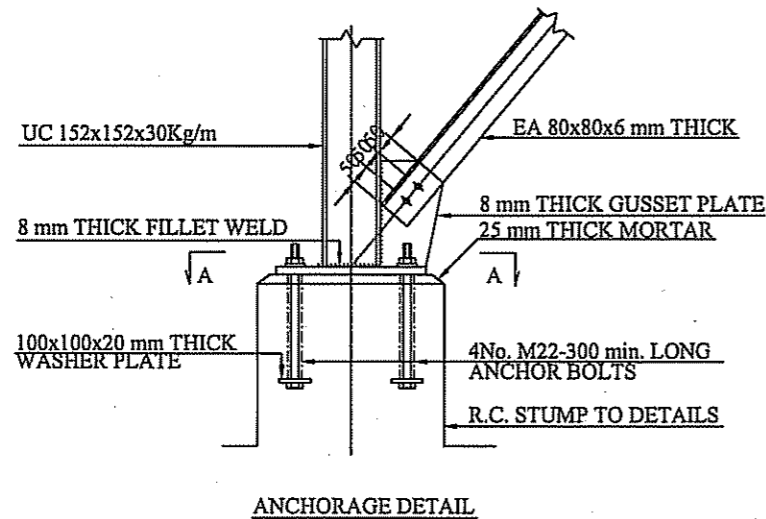
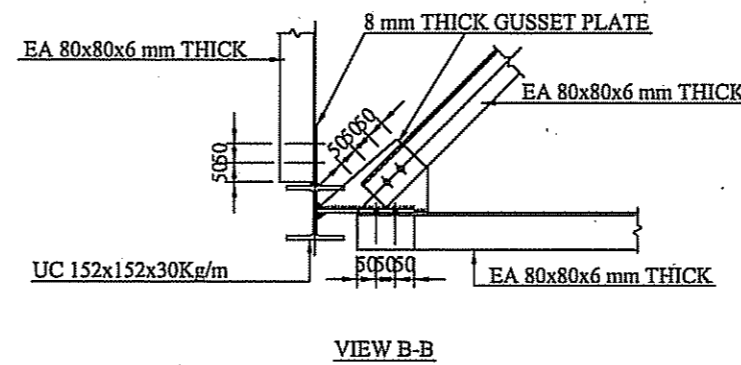
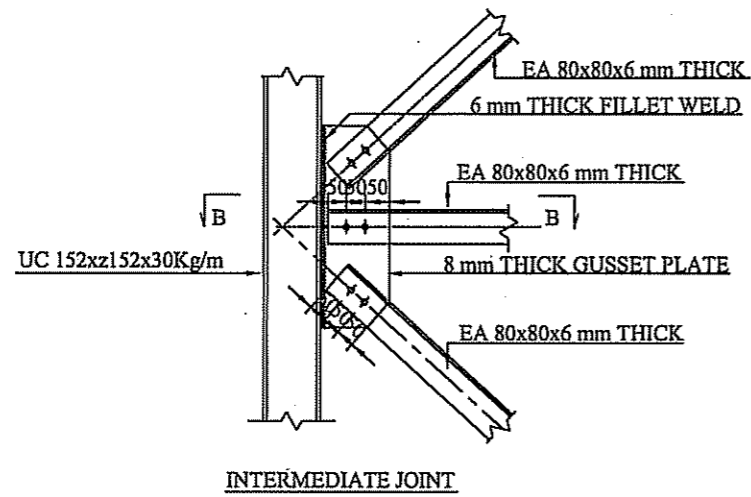
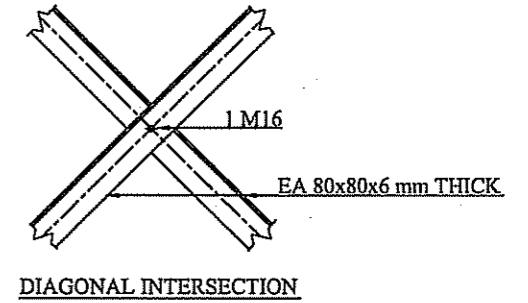
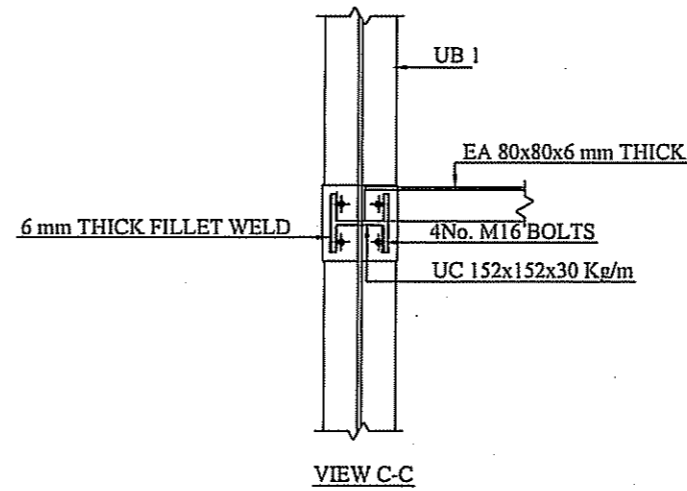
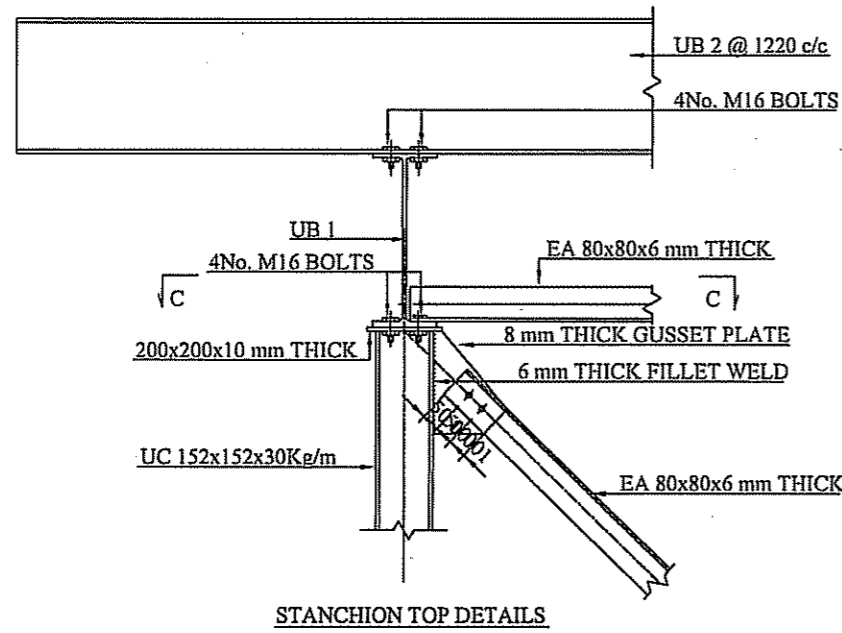
OWNER:
 THE MINISTRY OF WATER AND IRRIGATION
 THE REPUBLIC OF KENYA

PROJECT NAME:
 THE PROJECT FOR
 RURAL WATER SUPPLY

CONSULTING ENGINEERS:
 NIPPON KOEI CO., LTD.

TITLE:
 CONSTRUCTION OF WATER SUPPLY FACILITIES BY SUBMERSIBLE PUMP
 ELEVATED STORAGE TANK - TYPE V (5 m)

SCALE 1:50 1:100	DATE FEB. 2006	DRAWING NO. SP-092
------------------------	-------------------	-----------------------



LEGEND:


- SHS - SQUARE HOLLOW SECTION
- UB - UNIVERSAL BEAM
- UC - UNIVERSAL COLUMN
- CH - CHANNEL SECTION
- EA - EQUAL ANGLE

NOTES:

1. ALL WELDS TO BE 6 mm THICK UNLESS OTHERWISE STATED.
2. ALL BOLTS TO BE 2M16 (GRADE 5.8).
3. ALL GUSSET PLATE TO BE 8 mm THICK.
4. ALL STEEL SHALL BE GRADE 43 AND SHALL BE GALVANISED.

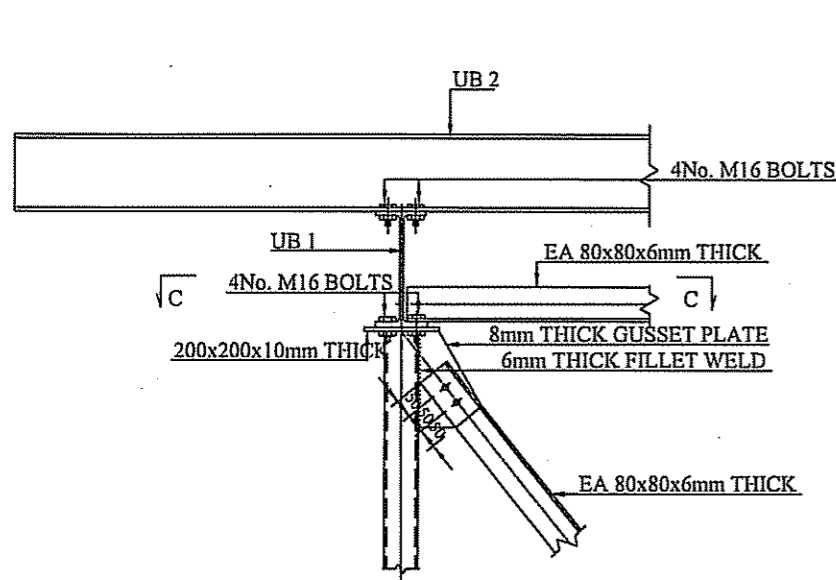
OWNER:
THE MINISTRY OF WATER AND IRRIGATION
THE REPUBLIC OF KENYA

PROJECT NAME:
THE PROJECT FOR
RURAL WATER SUPPLY

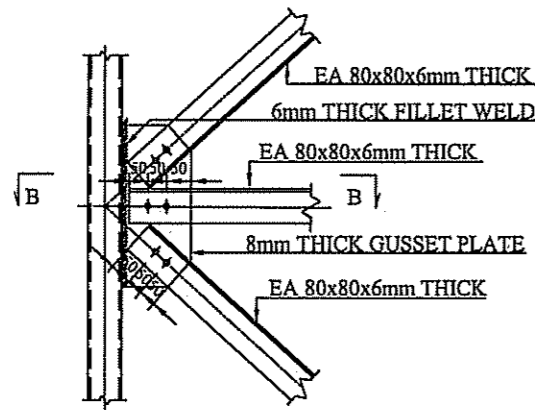
CONSULTING ENGINEERS:
 **NIPPON KOEI CO.,LTD.**

TITLE:
**CONSTRUCTION OF WATER SUPPLY FACILITIES BY SUBMERSIBLE PUMP
ELEVATED STORAGE TANK - TOWER CONNECTION DETAILS
AND RAILING (1/2)**

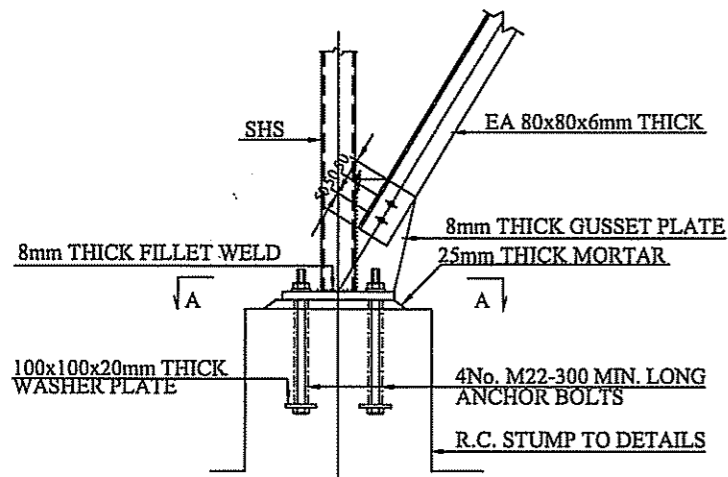
SCALE	DATE	DRAWING NO.
1:20	FEB. 2006	SP-093



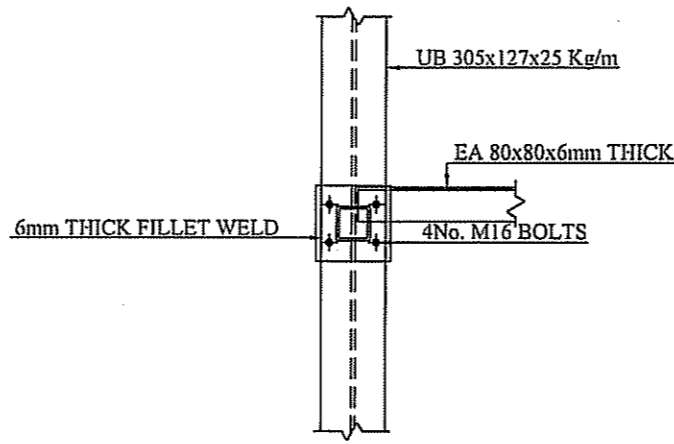
STANCHION TOP DETAILS
SCALE 1:20



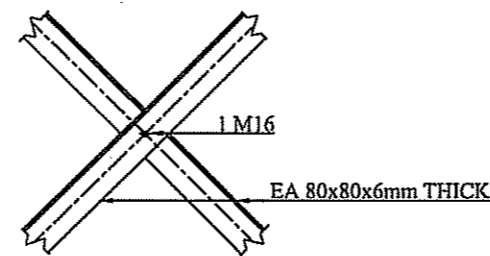
INTERMEDIATE JOINT
SCALE 1:20



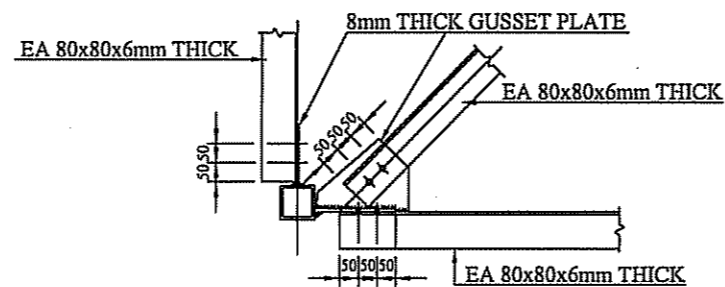
ANCHORAGE DETAIL
SCALE 1:20



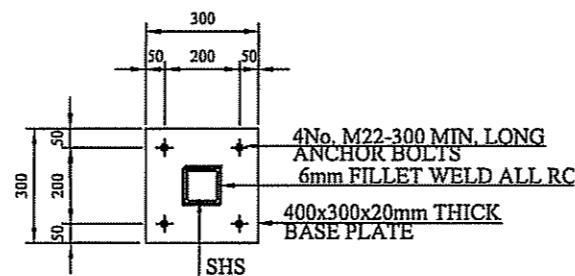
VIEW C-C
SCALE 1:20



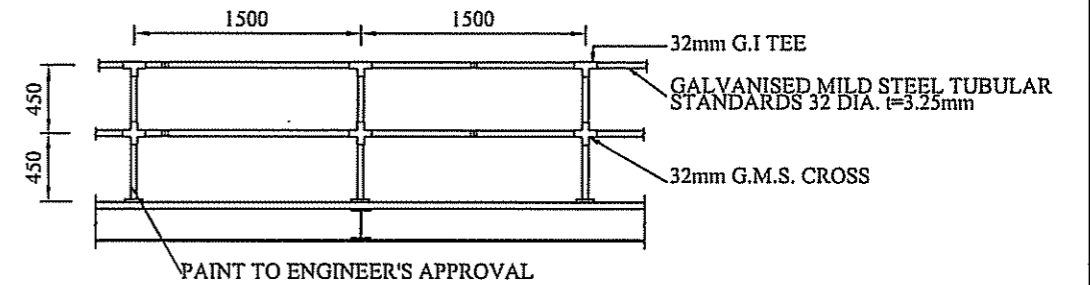
DIAGONAL INTERSECTION
SCALE 1:20



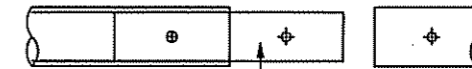
VIEW B-B
SCALE 1:20



VIEW A-A
SCALE 1:20

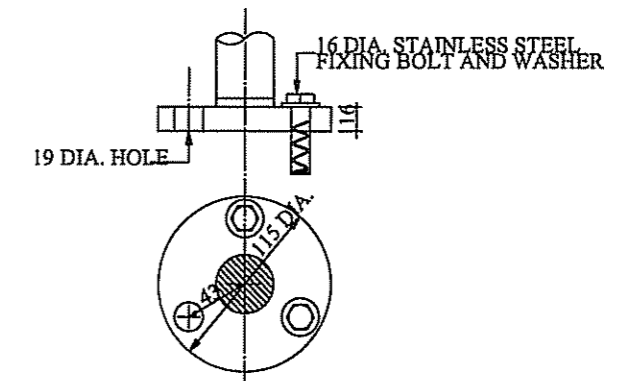


HANDRAILING
SCALE 1:50



SLEEVE 152 LONG 4 MINIMUM THICKNESS
SECURED BY TWO 6 DIA. CADMIUM PLATED
GRUB SCREWS IN UNDER SIDE.

TUBULAR HANDRAILING JOINT
SCALE - 1:5



ROUND BASE
SCALE - 1:5

GUARDRAIL DETAILS

LEGEND:

- SHS - SQUARE HOLLOW SECTION
- UB - UNIVERSAL BEAM
- UC - UNIVERSAL COLUMN
- CH - CHANNEL SECTION
- EA - EQUAL ANGLE

NOTES:

1. ALL WELDS TO BE 6 mm THICK UNLESS OTHERWISE STATED.
2. ALL BOLTS TO BE 2M16 (GRADE 5.8).
3. ALL GUSSET PLATE TO BE 8 mm THICK.
4. ALL STEEL SHALL BE GRADE 43 AND SHALL BE GALVANISED.

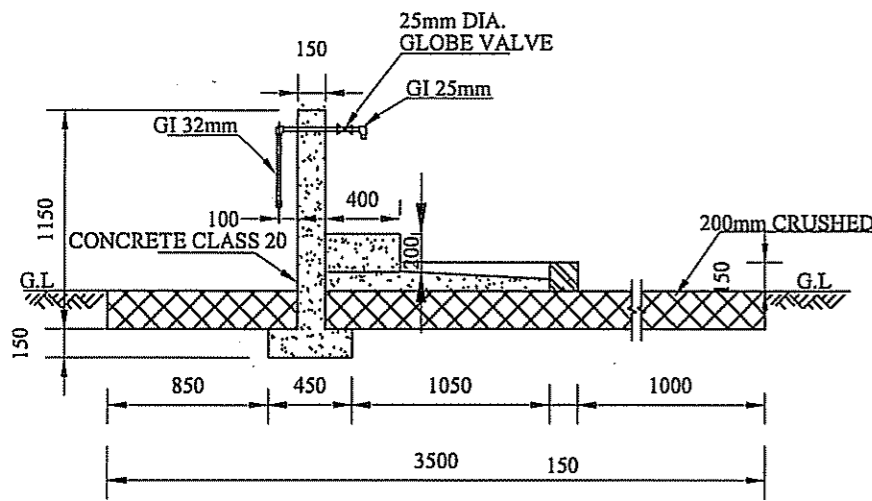
OWNER:
THE MINISTRY OF WATER AND IRRIGATION
THE REPUBLIC OF KENYA

PROJECT NAME:
THE PROJECT FOR
RURAL WATER SUPPLY

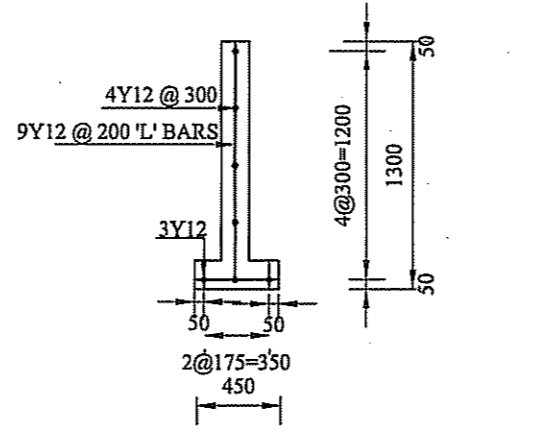
CONSULTING ENGINEERS:
 NIPPON KOEI CO., LTD.

TITLE:
CONSTRUCTION OF WATER SUPPLY FACILITIES BY SUBMERSIBLE PUMP
ELEVATED STORAGE TANK - TOWER CONNECTION DETAILS
AND RAILING (2/2)

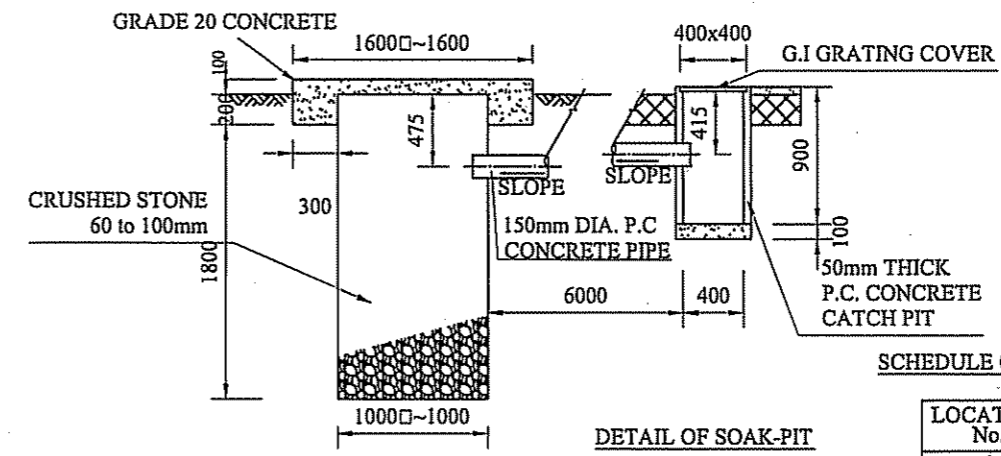
SCALE	DATE	DRAWING NO.
1:5	FEB. 2006	SP-094
1:20		
1:50		



SECTION A-A
Scale 1:40



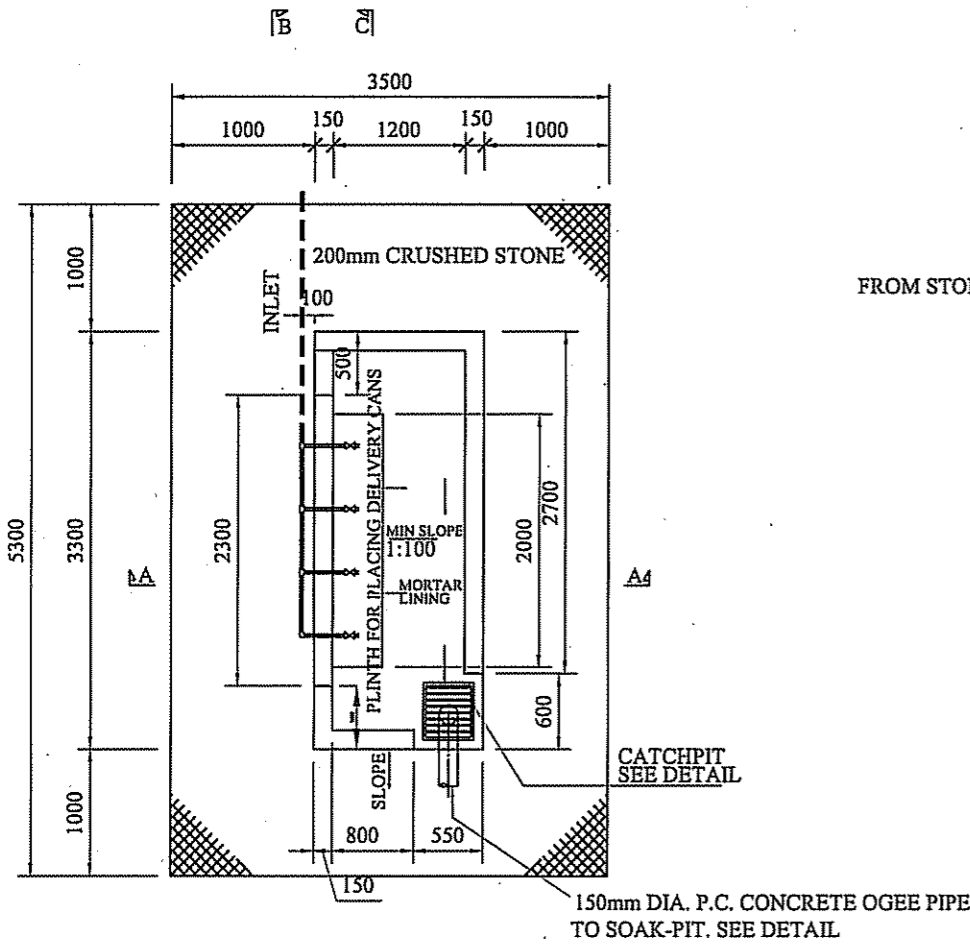
TYPICAL SECTION THRU WALL REINFORCEMENT
Scale 1:40



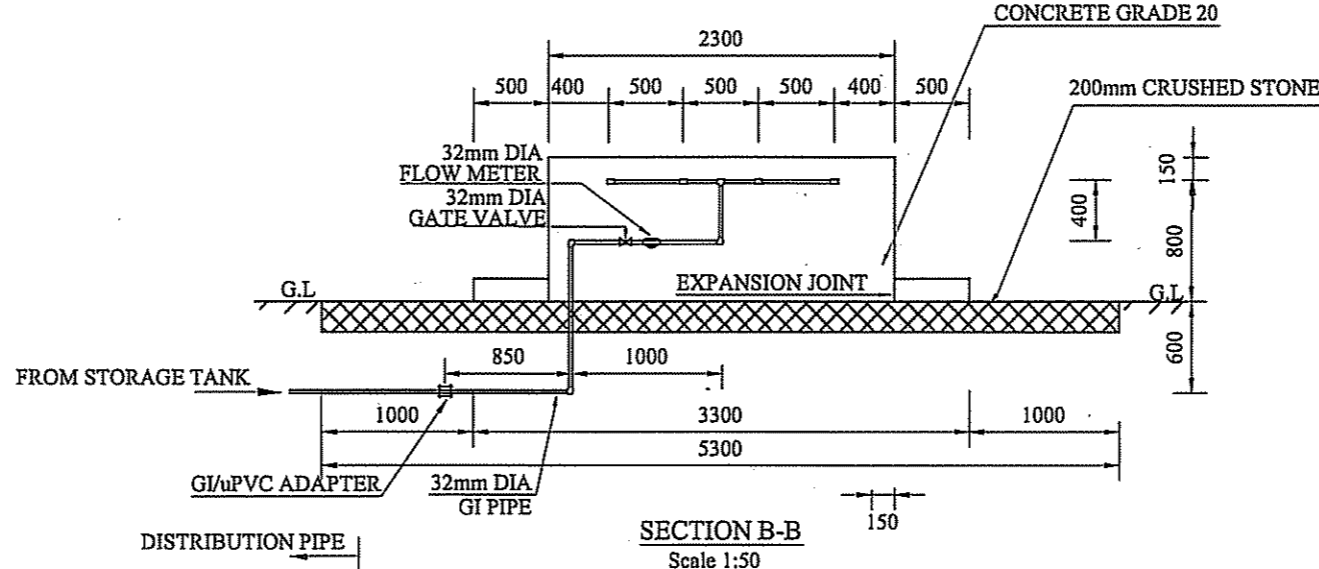
DETAIL OF SOAK-PIT AND CATCH PIT
Scale 1:50

SCHEDULE OF PUBLIC TAPS & WATER KIOSKS

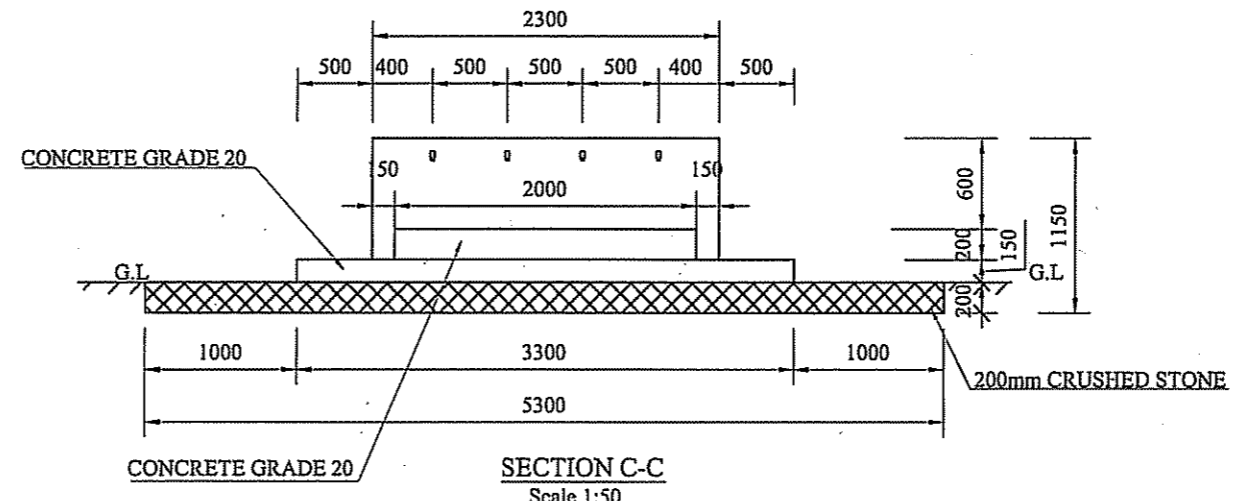
LOCATION No.	PUBLIC TAP	WATER KIOSK	
		A	B
4	1		1
8	1		
10	1		
11			3
15		2	1
16			1
18		1	1
20			1
21	1		
27			1
30			1
32			1
33			1
39	1		
41			2
46			1
54	1		1
55			2
20			1
60	1		
61	1		
62		1	1
66	1		
67			1
69	1		1
74			1
82			1
85	1		
87			1
89			1
93			1



SECTION PLAN
Scale 1:60




SECTION B-B
Scale 1:50



SECTION C-C
Scale 1:50

OWNER:
THE MINISTRY OF WATER AND IRRIGATION
THE REPUBLIC OF KENYA

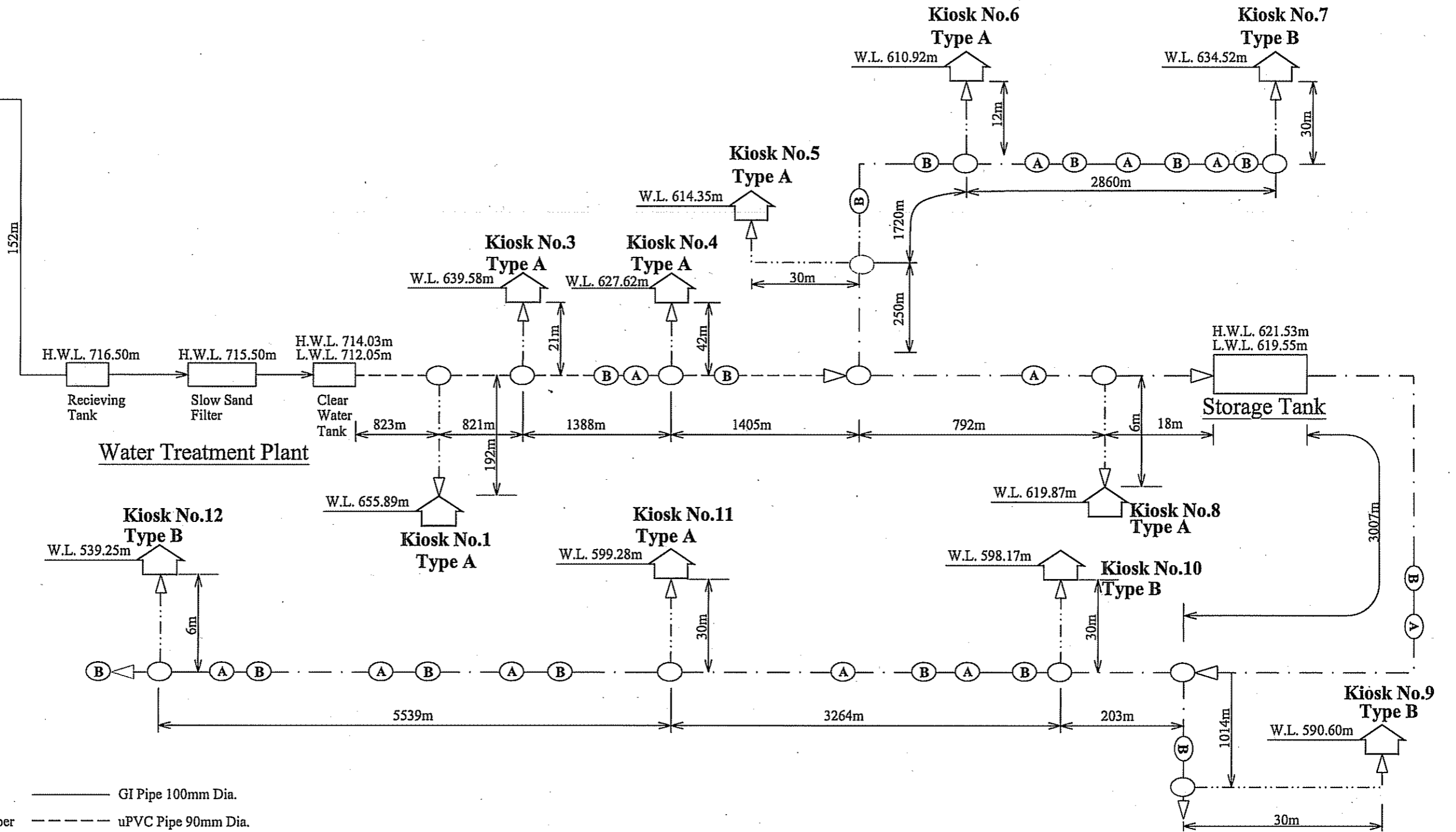
PROJECT NAME:
THE PROJECT FOR
RURAL WATER SUPPLY

CONSULTING ENGINEERS:
 NIPPON KOEI CO., LTD.

TITLE:
CONSTRUCTION OF WATER SUPPLY FACILITIES BY SUBMERSIBLE PUMP
PUBLIC TAP

SCALE 1:40 1:50 1:60	DATE FEB. 2006	DRAWING NO. SP-097
-------------------------------	-------------------	-----------------------

H.W.L. 721.04m
L.W.L. 720.19m
Mora Intake



LEGEND

- Branch Chamber
- ⊖ Blow Off Valve Chamber
- ⊙ Air Valve Chamber
- GI Pipe 100mm Dia.
- - - - uPVC Pipe 90mm Dia.
- · - · uPVC Pipe 63mm Dia.
- · · · uPVC Pipe 50mm Dia.

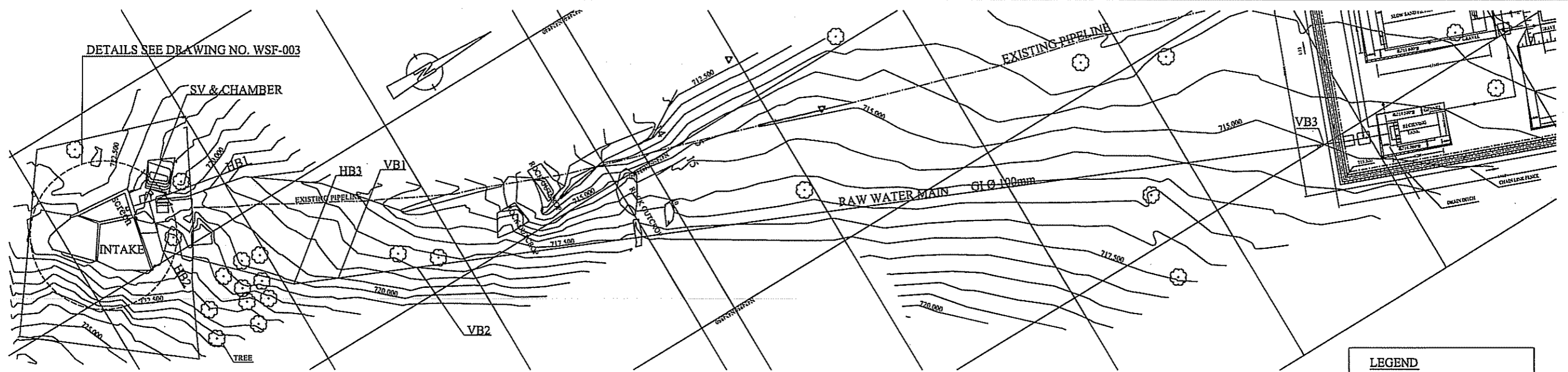
OWNER:
THE MINISTRY OF WATER AND IRRIGATION
THE REPUBLIC OF KENYA

PROJECT NAME:
THE PROJECT FOR
RURAL WATER SUPPLY

CONSULTING ENGINEERS:
 NIPPON KOEI CO., LTD.

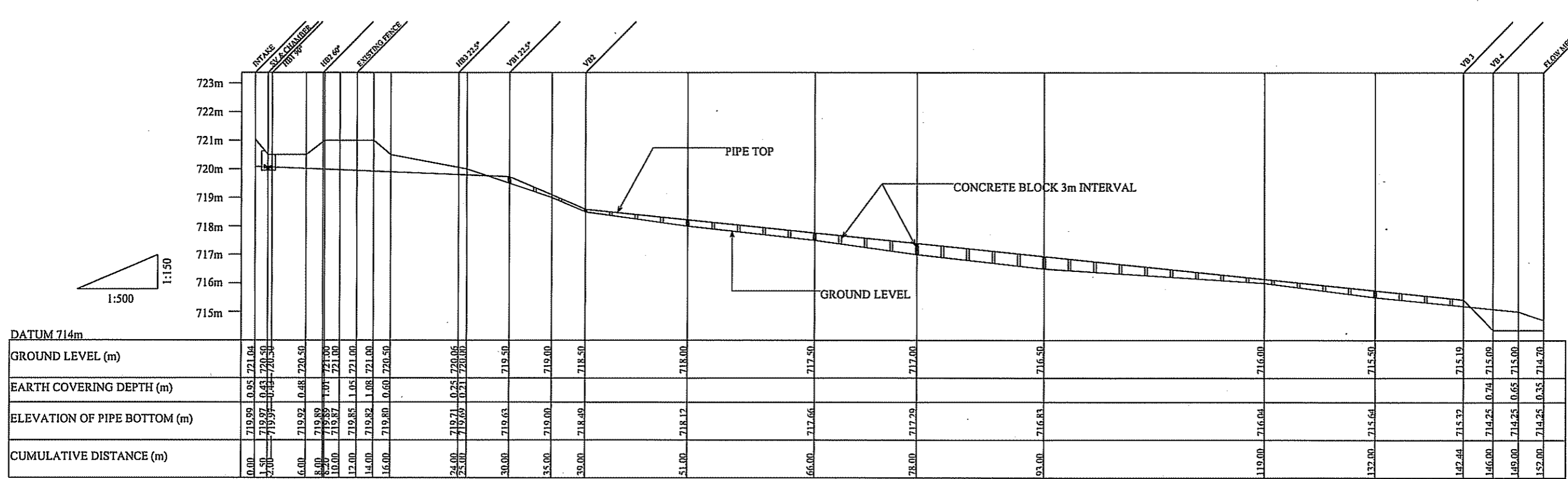
TITLE:
REHABILITATION OF MORA SPRING WATER SUPPLY FACILITY
GENERAL FLOW DIAGRAM FOR WATER SUPPLY FACILITIES

SCALE	DATE	DRAWING NO.
NONE	FEB. 2006	WSF-001



PLAN
SCALE 1:500

LEGEND
 HB = HORIZONTAL BEND
 VB = VERTICAL BEND
 SV = SLUICE VALVE



NOTES
 - INTAKE DETAILS SEE DRAWING No. WSF-003, 004
 - SLUICE VALVE CHAMBER DETAILS SEE DRAWING No. WSF-046

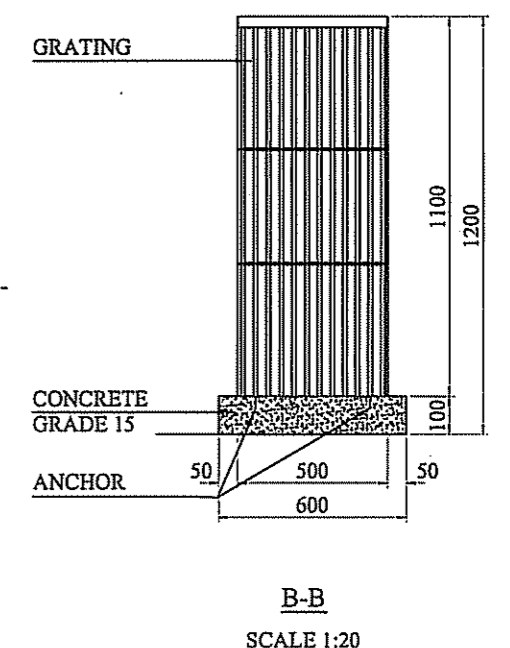
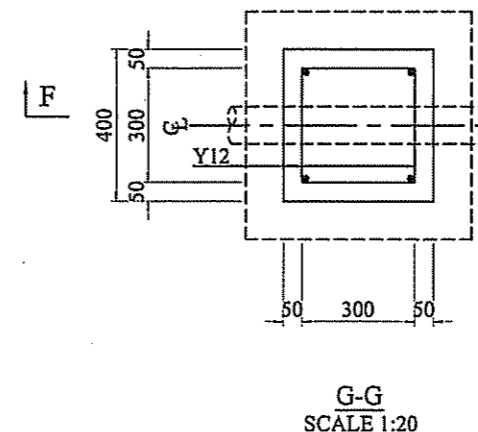
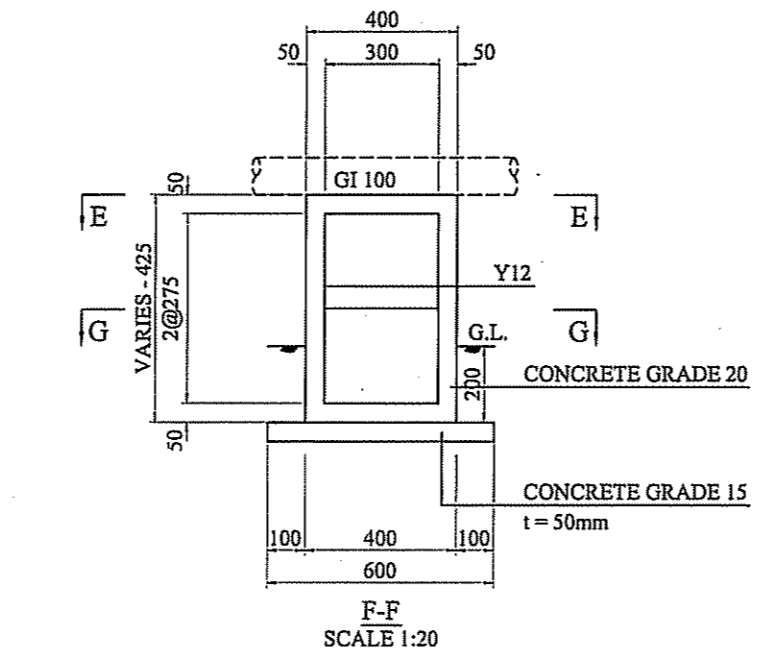
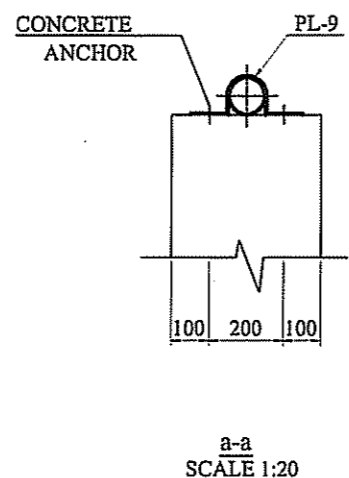
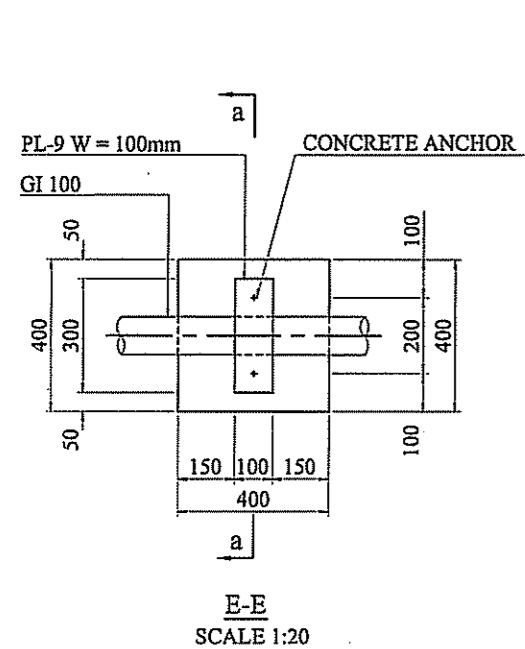
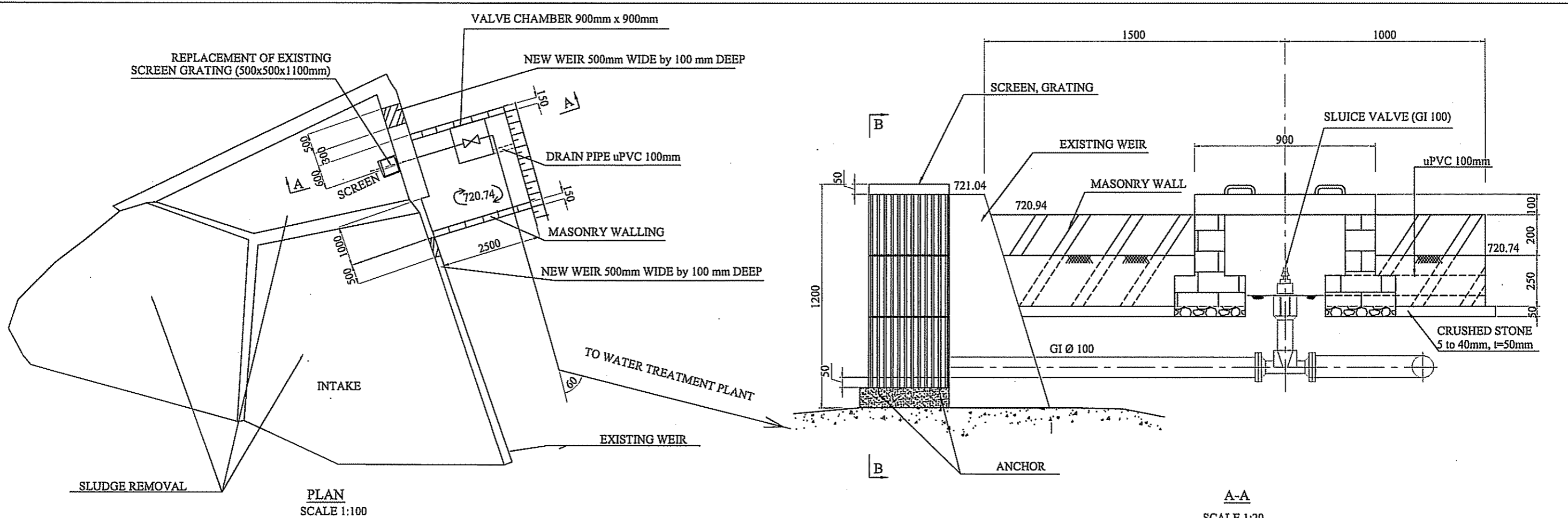
OWNER:
 THE MINISTRY OF WATER AND IRRIGATION
 THE REPUBLIC OF KENYA

PROJECT NAME:
 THE PROJECT FOR
 RURAL WATER SUPPLY

CONSULTING ENGINEERS:
NIPPON KOEI CO.,LTD.

TITLE:
 REHABILITATION OF MORA SPRING WATER SUPPLY FACILITY
 PLAN & PROFILE OF RAW WATER MAIN

SCALE H = 1:500 V = 1:150	DATE FEB. 2006	DRAWING NO. WSF-002
---------------------------------	-------------------	------------------------



CONCRETE BLOCK DETAILS

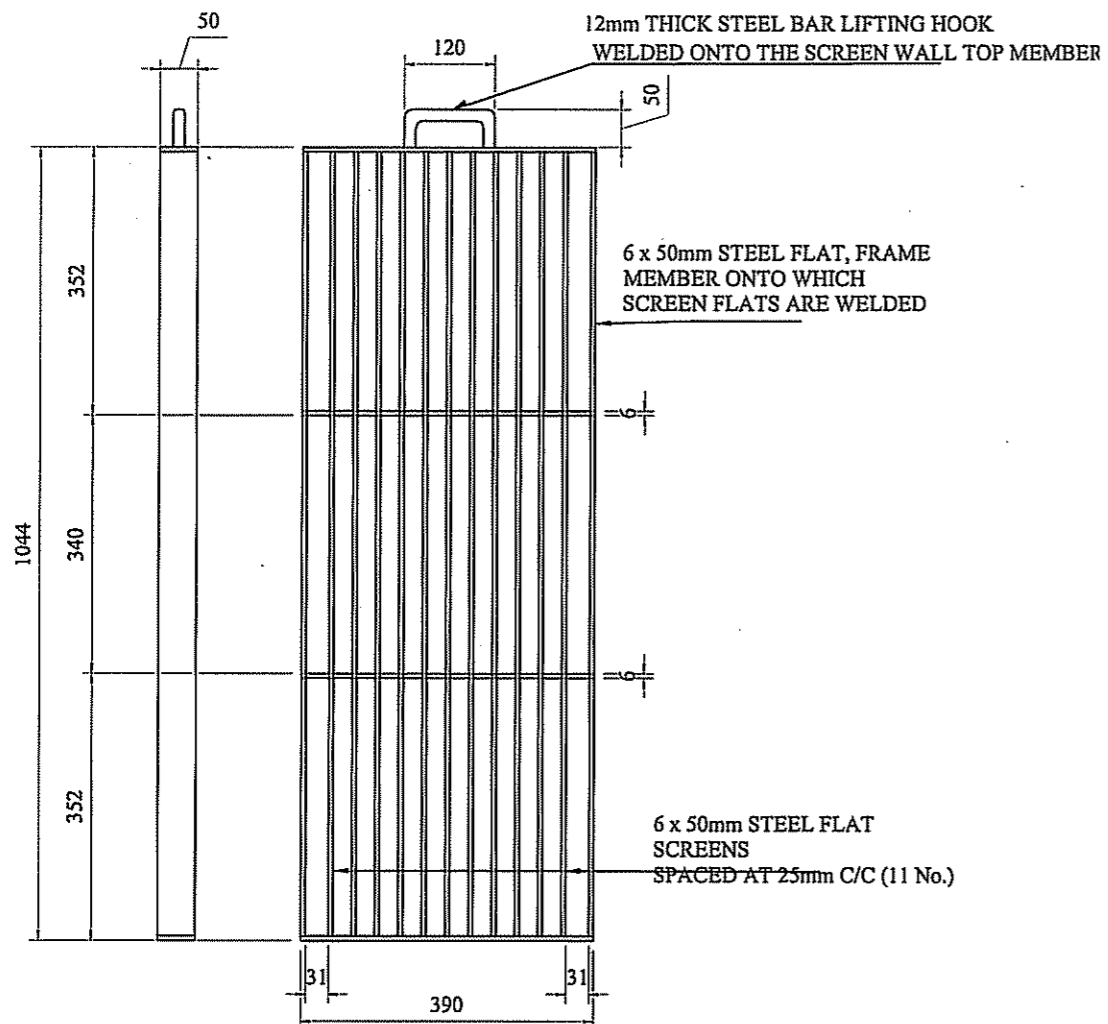
OWNER:
THE MINISTRY OF WATER AND IRRIGATION
THE REPUBLIC OF KENYA

PROJECT NAME:
THE PROJECT FOR
RURAL WATER SUPPLY

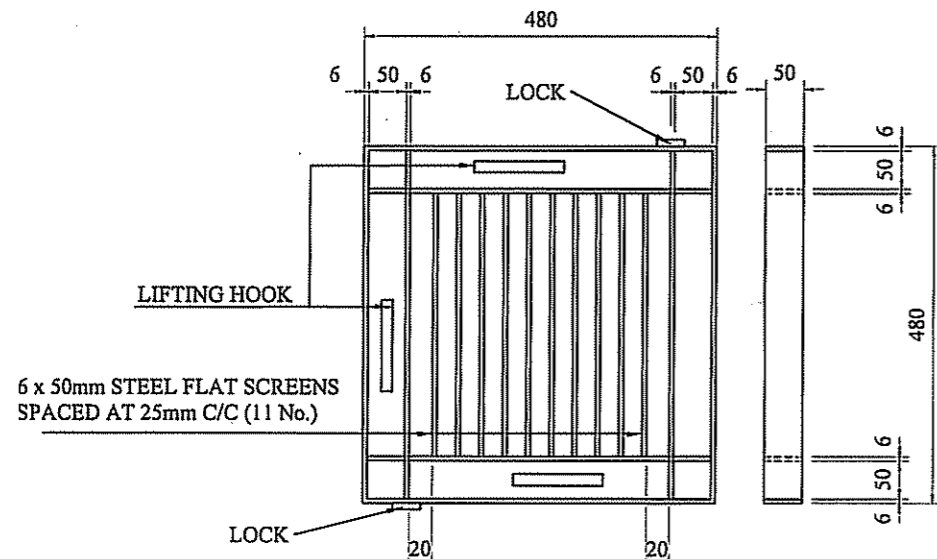
CONSULTING ENGINEERS:
 **NIPPON KOEI CO.,LTD.**

TITLE:
REHABILITATION OF MORA SPRING WATER SUPPLY FACILITY
INTAKE STRUCTURE DETAILS (1/2)

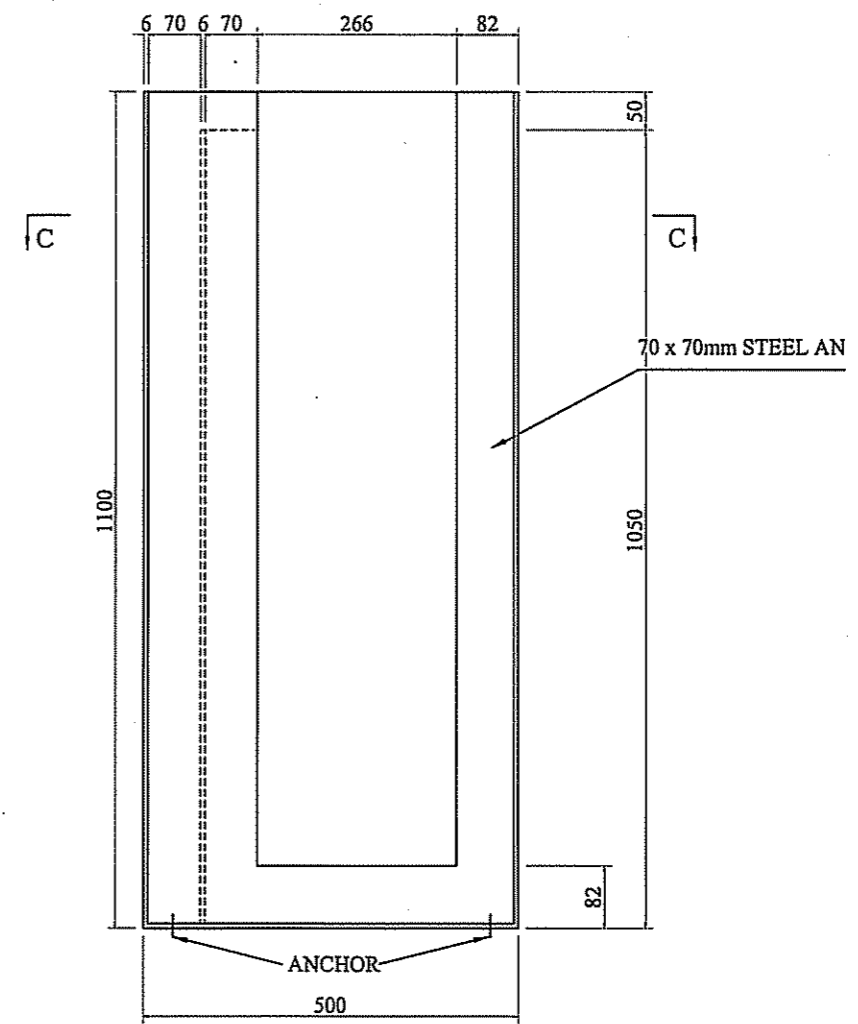
SCALE	DATE	DRAWING NO.
1:100 1:20	FEB.2006	WSF-003



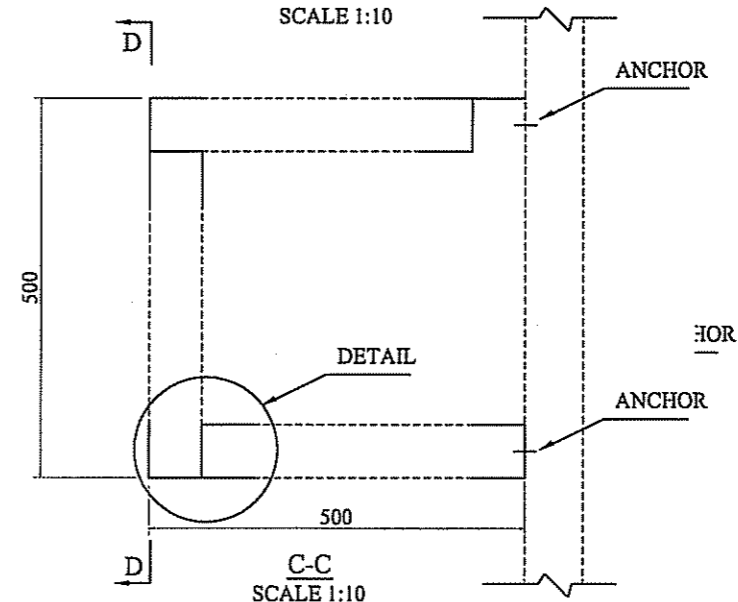
SCREEN WALL
SCALE 1:10



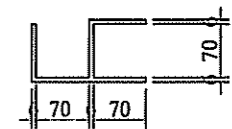
SCREEN COVER
SCALE 1:10



D-D
SCALE 1:10



C-C
SCALE 1:10
SCREEN FRAME



DETAIL
SCALE 1:10

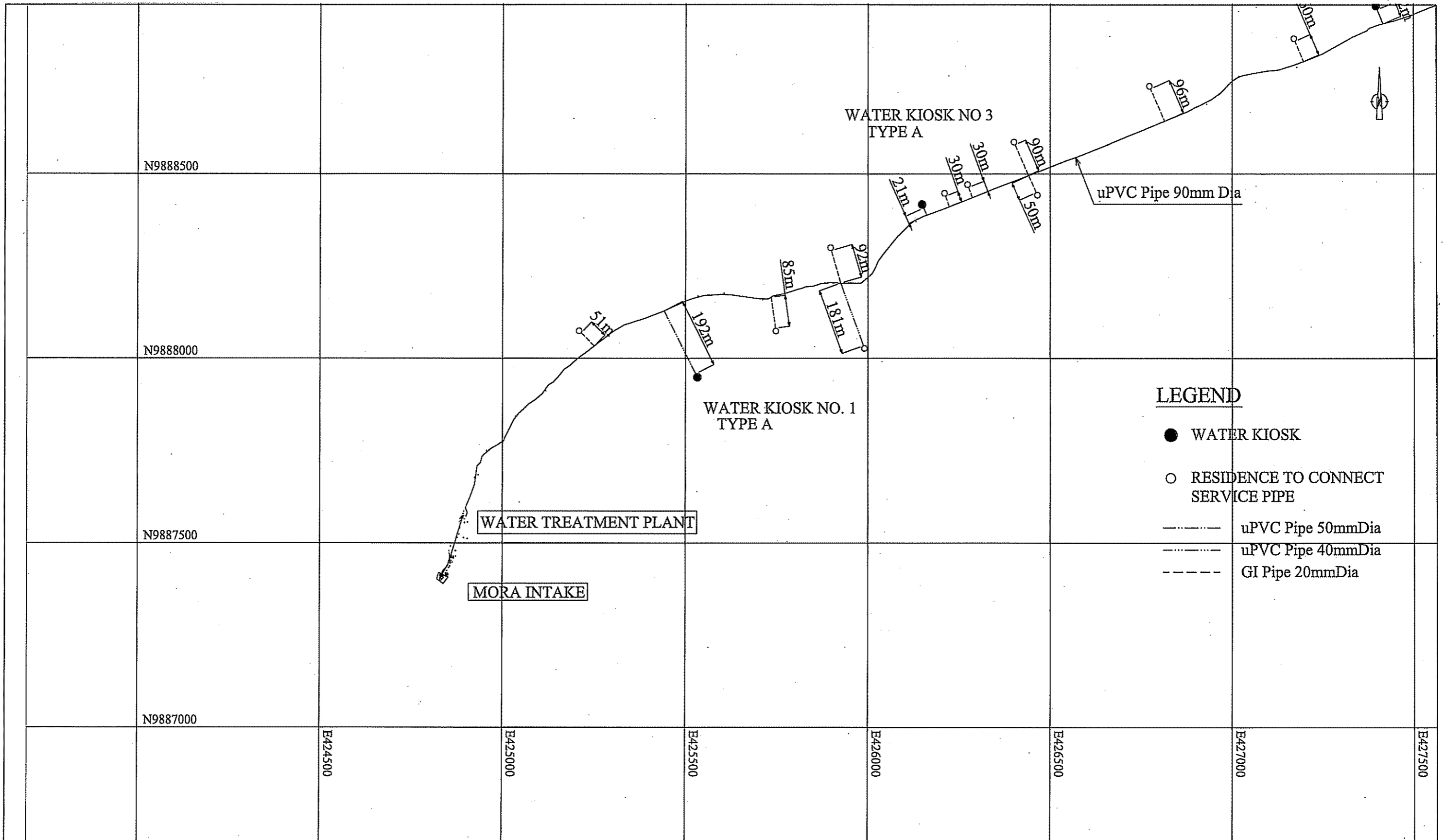
NOTE: ALL STEEL MATERIAL SHALL BE GALVANISED

OWNER:
THE MINISTRY OF WATER AND IRRIGATION
THE REPUBLIC OF KENYA

PROJECT NAME:
THE PROJECT FOR
RURAL WATER SUPPLY


CONSULTING ENGINEERS:
 **NIPPON KOEI CO.,LTD.**

TITLE: REHABILITATION OF MORA SPRING WATER SUPPLY FACILITY INTAKE STRUCTURE DETAILS (2/2)		
SCALE 1:10	DATE FEB.2006	DRAWING NO. WSF-004



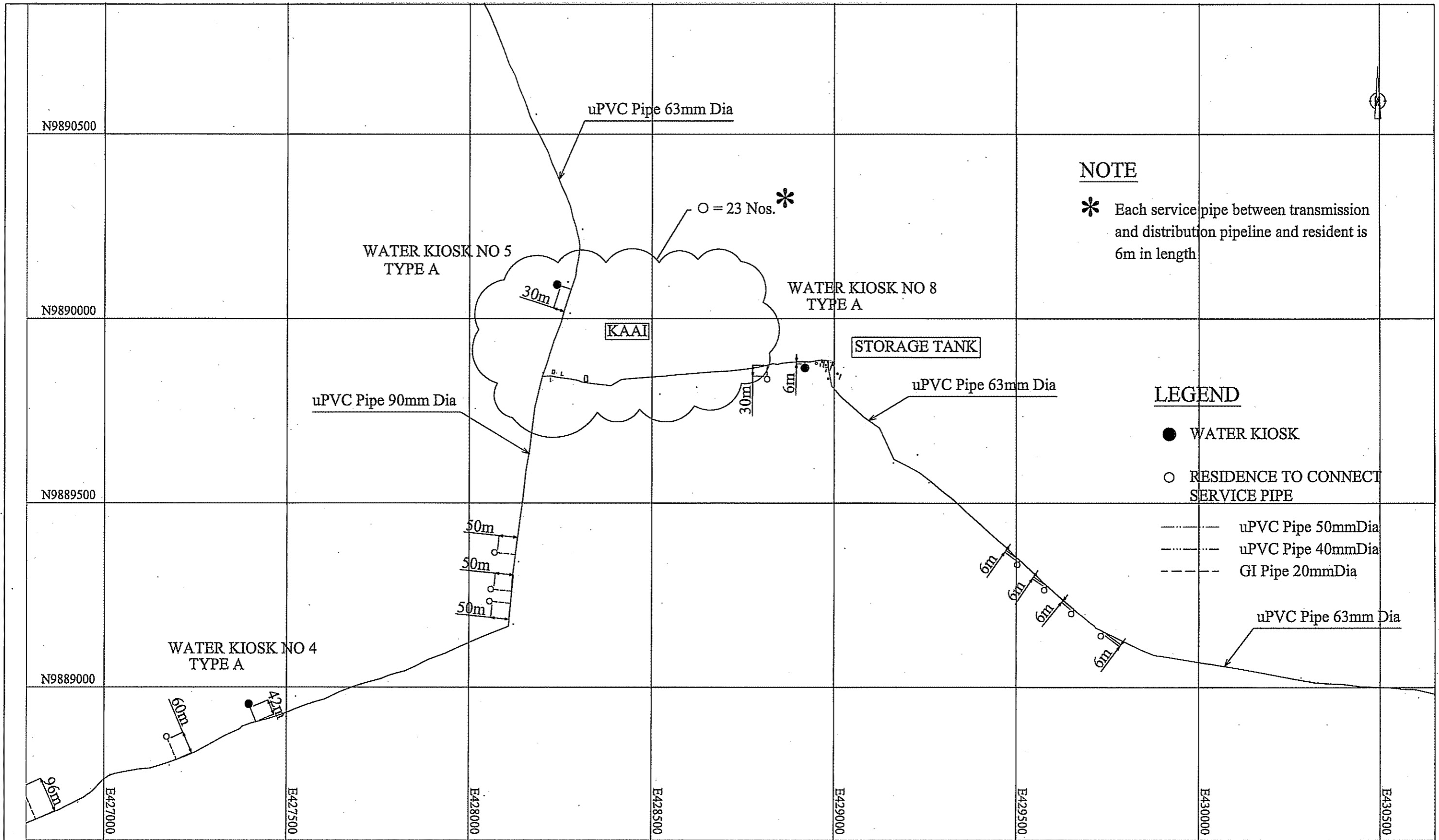
OWNER:
 THE MINISTRY OF WATER AND IRRIGATION
 THE REPUBLIC OF KENYA

PROJECT NAME:
 THE PROJECT FOR
 RURAL WATER SUPPLY

CONSULTING ENGINEERS:
 **NIPPON KOEI CO.,LTD.**

TITLE:
 REHABILITATION OF MORA SPRING WATER SUPPLY FACILITY
 PLAN OF TRANSMISSION AND DISTRIBUTION PIPE LINE(1/9)

SCALE 1:1000	DATE FEB.2006	DRAWING NO. WSF-005
-----------------	------------------	------------------------




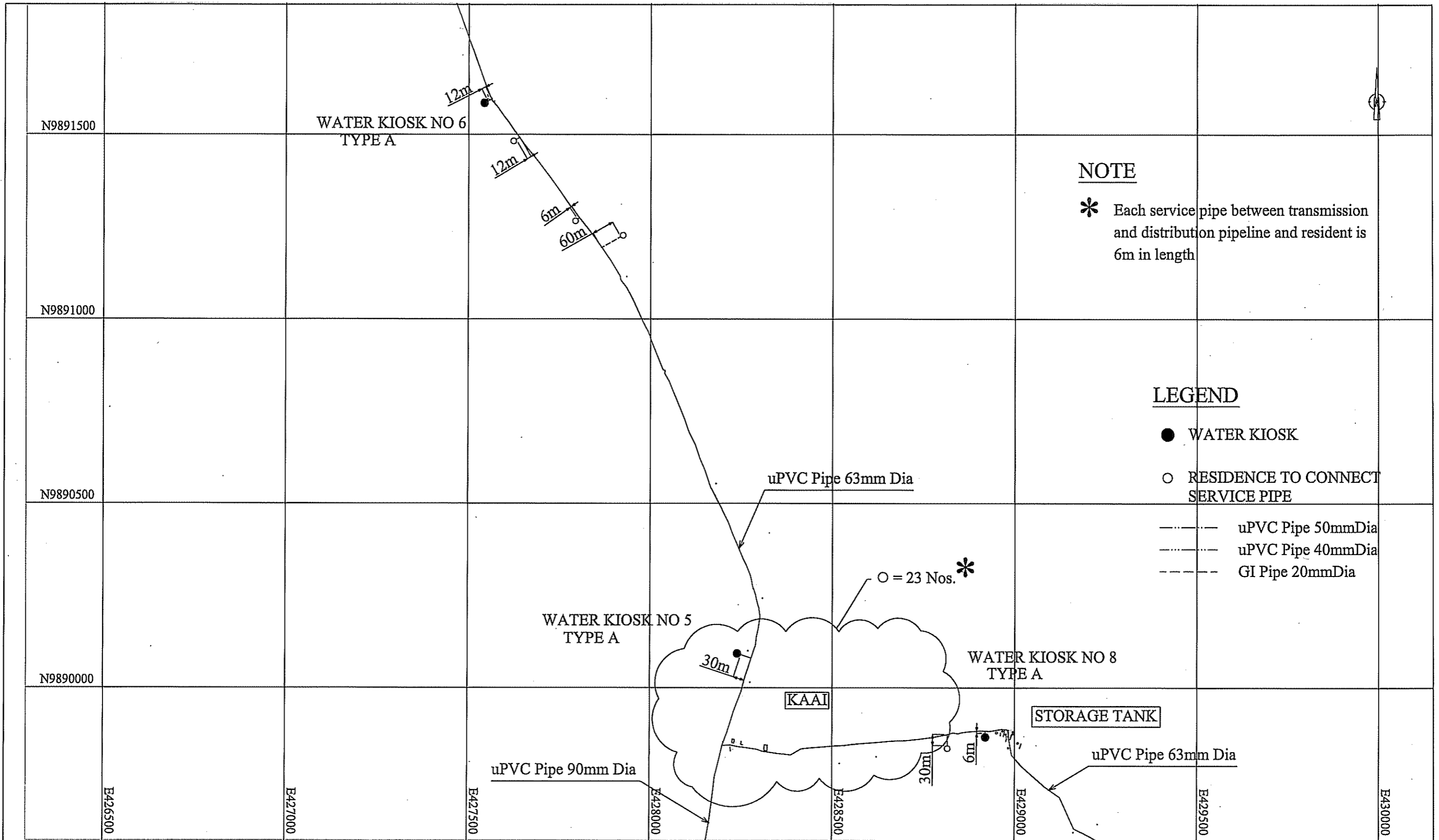
NOTE

* Each service pipe between transmission and distribution pipeline and resident is 6m in length

LEGEND

- WATER KIOSK
- RESIDENCE TO CONNECT SERVICE PIPE
- uPVC Pipe 50mmDia
- - - uPVC Pipe 40mmDia
- - - GI Pipe 20mmDia
- uPVC Pipe 63mm Dia

<p>OWNER: THE MINISTRY OF WATER AND IRRIGATION THE REPUBLIC OF KENYA</p>	<p>PROJECT NAME: THE PROJECT FOR RURAL WATER SUPPLY.</p>	<p>CONSULTING ENGINEERS:  NIPPON KOEI CO.,LTD.</p>	<p>TITLE: REHABILITATION OF MORA SPRING WATER SUPPLY FACILITY PLAN OF TRANSMISSION AND DISTRIBUTION PIPE LINE(2/9)</p>	
		<p>SCALE 1:1000</p>	<p>DATE FEB.2006</p>	<p>DRAWING NO. WSF-006</p>



NOTE

* Each service pipe between transmission and distribution pipeline and resident is 6m in length

LEGEND

- WATER KIOSK
- RESIDENCE TO CONNECT SERVICE PIPE
- uPVC Pipe 50mmDia
- uPVC Pipe 40mmDia
- GI Pipe 20mmDia

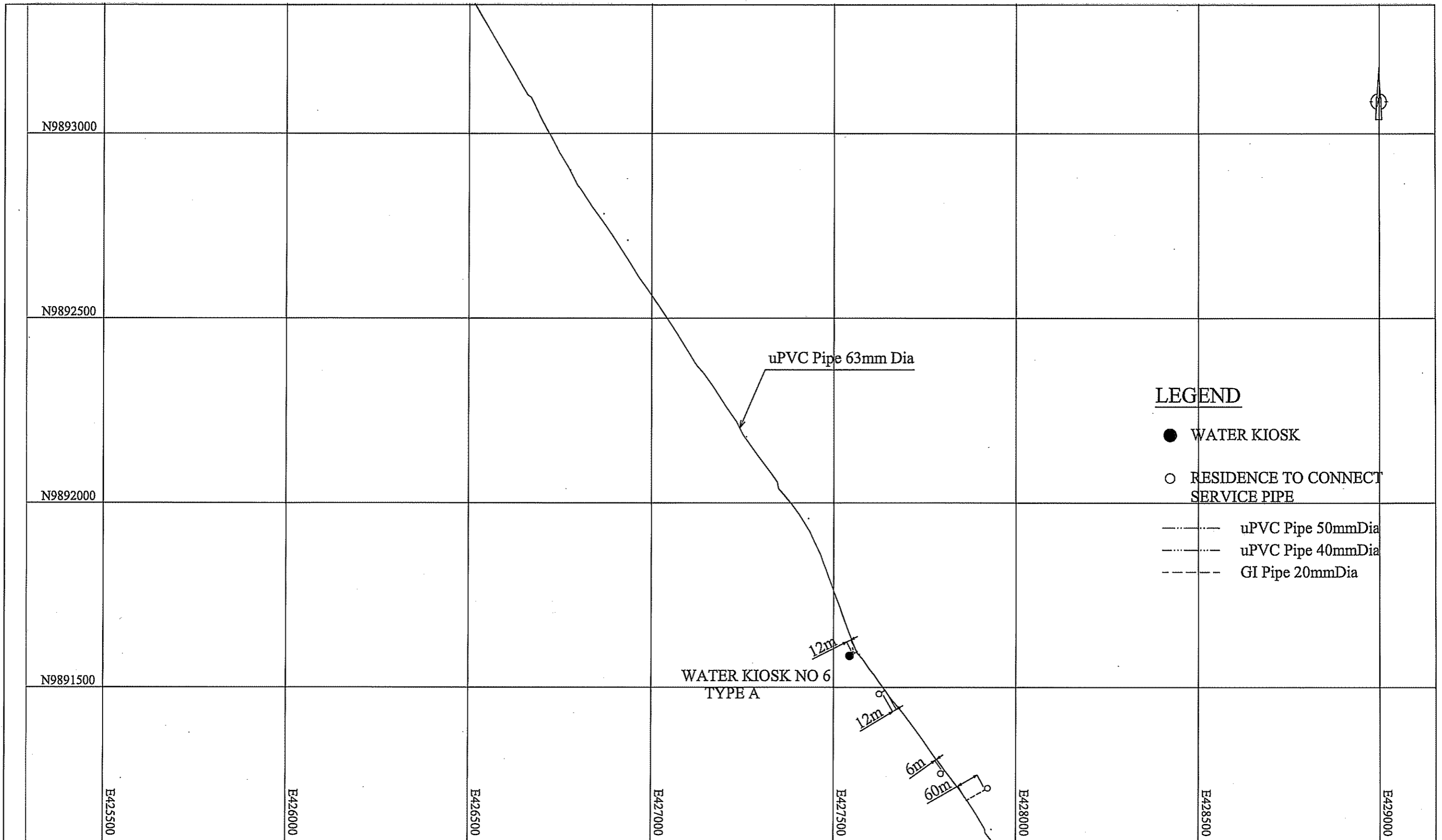
OWNER:
THE MINISTRY OF WATER AND IRRIGATION
THE REPUBLIC OF KENYA

PROJECT NAME:
THE PROJECT FOR
RURAL WATER SUPPLY

CONSULTING ENGINEERS:
 **NIPPON KOEI CO.,LTD.**

TITLE:
**REHABILITATION OF MORA SPRING WATER SUPPLY FACILITY
PLAN OF TRANSMISSION AND DISTRIBUTION PIPE LINE(3/9)**

SCALE 1:1000	DATE FEB.2006	DRAWING NO. WSF-007
-----------------	------------------	------------------------



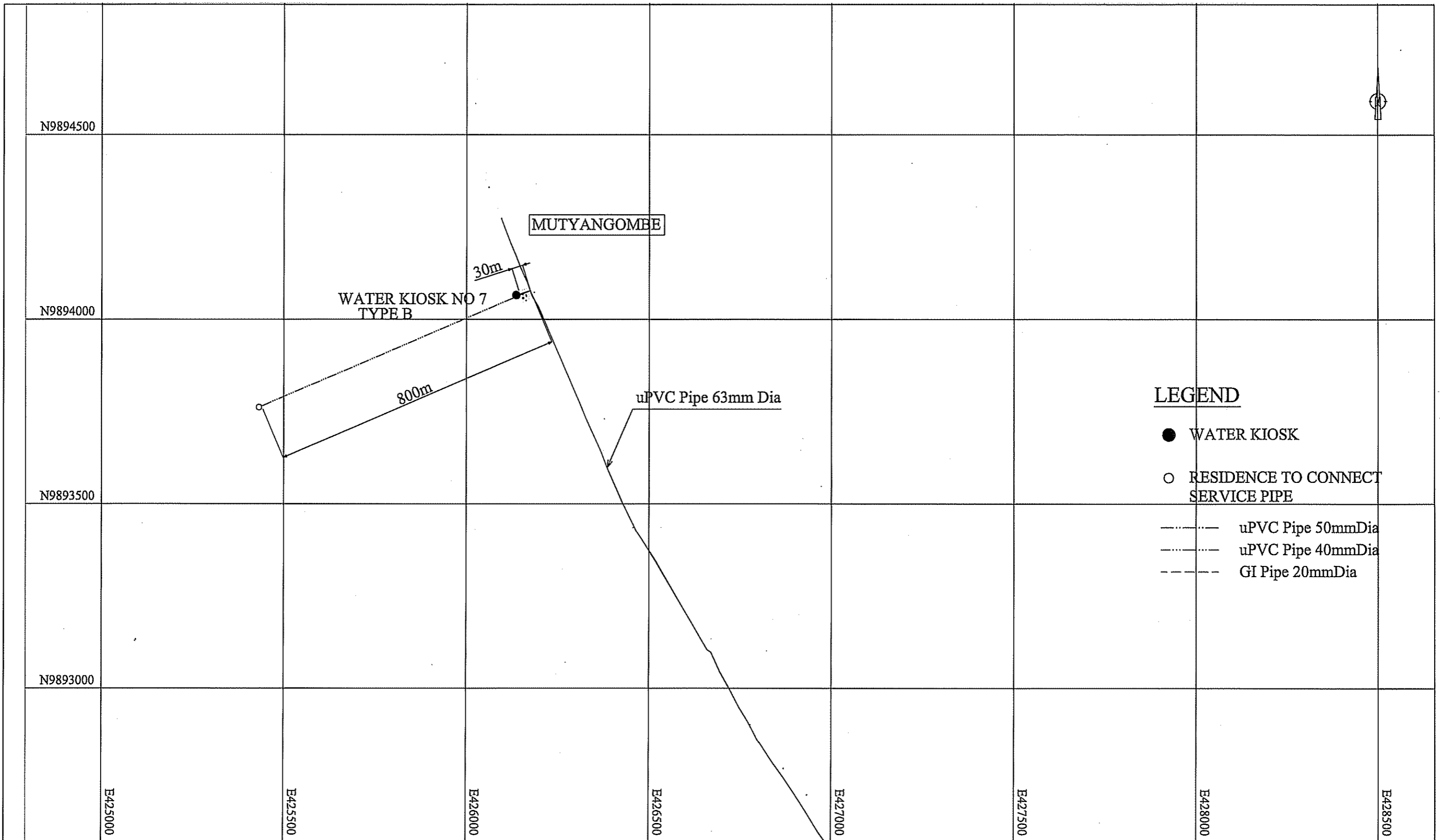
OWNER:
THE MINISTRY OF WATER AND IRRIGATION
THE REPUBLIC OF KENYA

PROJECT NAME:
THE PROJECT FOR
RURAL WATER SUPPLY

CONSULTING ENGINEERS:
 **NIPPON KOEI CO.,LTD.**

TITLE:
REHABILITATION OF MORA SPRING WATER SUPPLY FACILITY
PLAN OF TRANSMISSION AND DISTRIBUTION PIPE LINE(4/9)

SCALE	DATE	DRAWING NO.
1:1000	FEB.2006	WSF-008



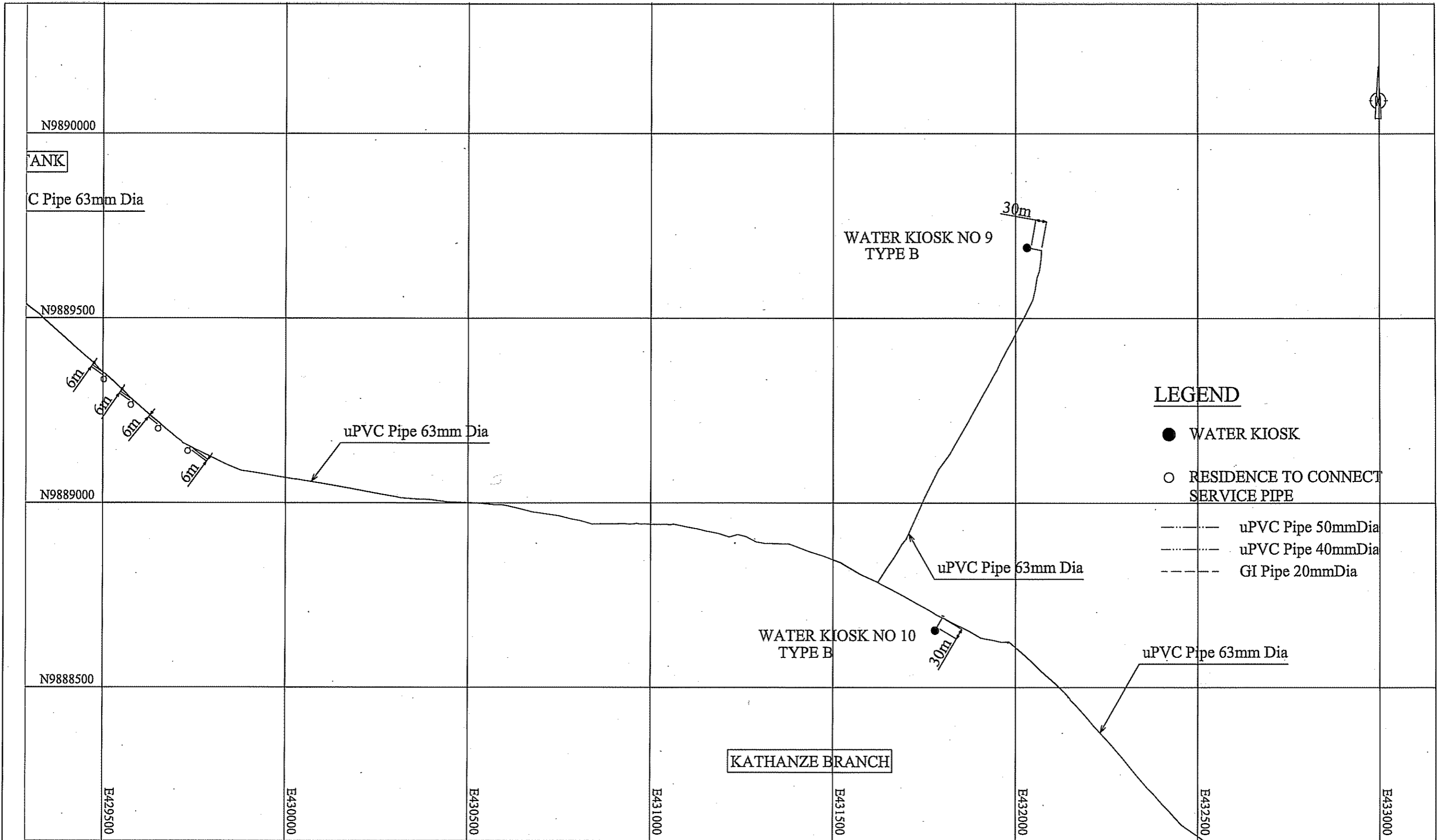
OWNER:
THE MINISTRY OF WATER AND IRRIGATION
THE REPUBLIC OF KENYA

PROJECT NAME:
THE PROJECT FOR
RURAL WATER SUPPLY

CONSULTING ENGINEERS:
 **NIPPON KOEI CO.,LTD.**


TITLE:
REHABILITATION OF MORA SPRING WATER SUPPLY FACILITY
PLAN OF TRANSMISSION AND DISTRIBUTION PIPE LINE(5/9)

SCALE	DATE	DRAWING NO.
1:1000	FEB.2006	WSF-009



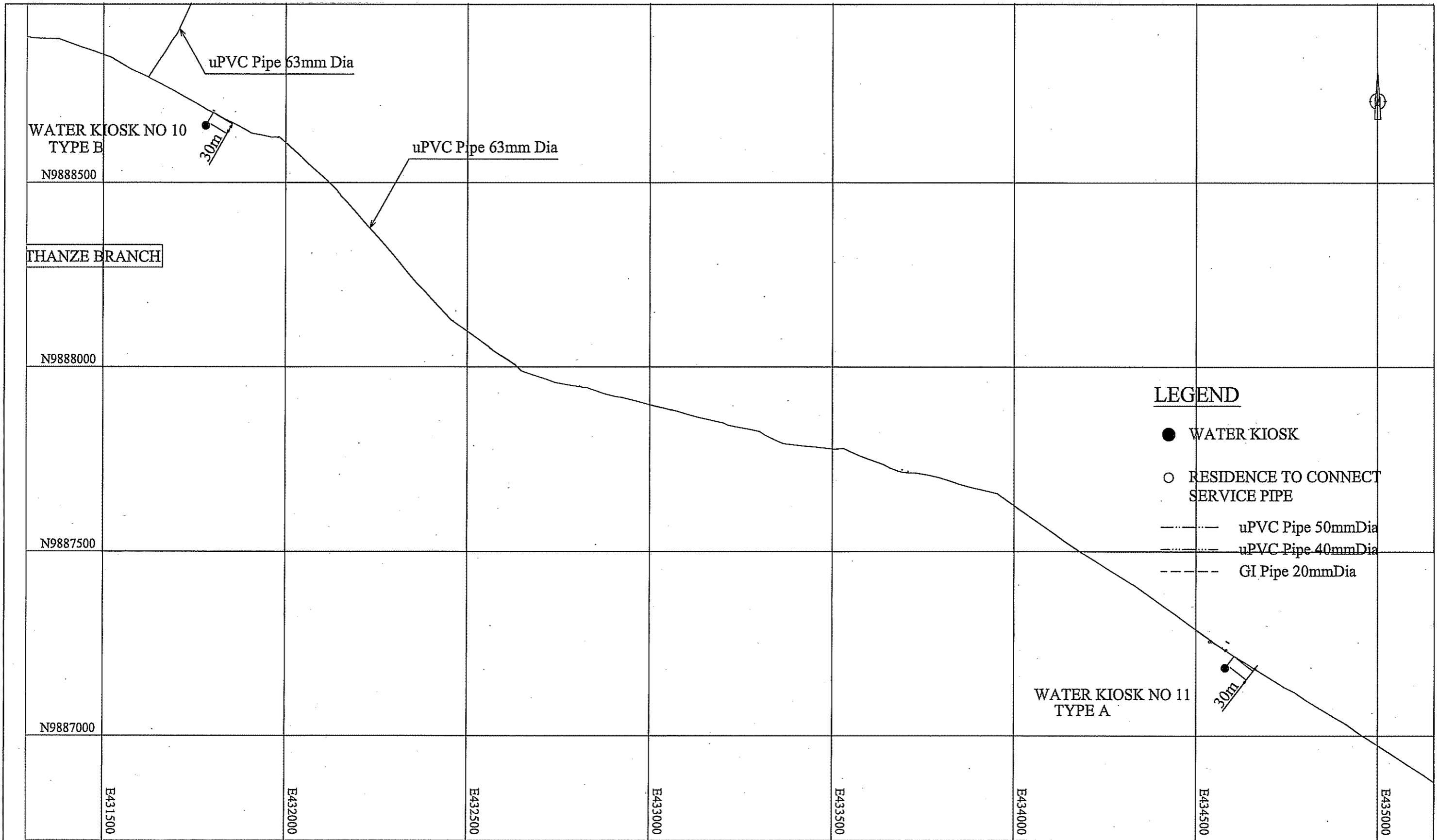
OWNER:
THE MINISTRY OF WATER AND IRRIGATION
THE REPUBLIC OF KENYA

PROJECT NAME:
THE PROJECT FOR
RURAL WATER SUPPLY

CONSULTING ENGINEERS:
 **NIPPON KOEI CO.,LTD.**


TITLE:
REHABILITATION OF MORA SPRING WATER SUPPLY FACILITY
PLAN OF TRANSMISSION AND DISTRIBUTION PIPE LINE(6/9)

SCALE	DATE	DRAWING NO.
1:1000	FEB.2006	WSF-010



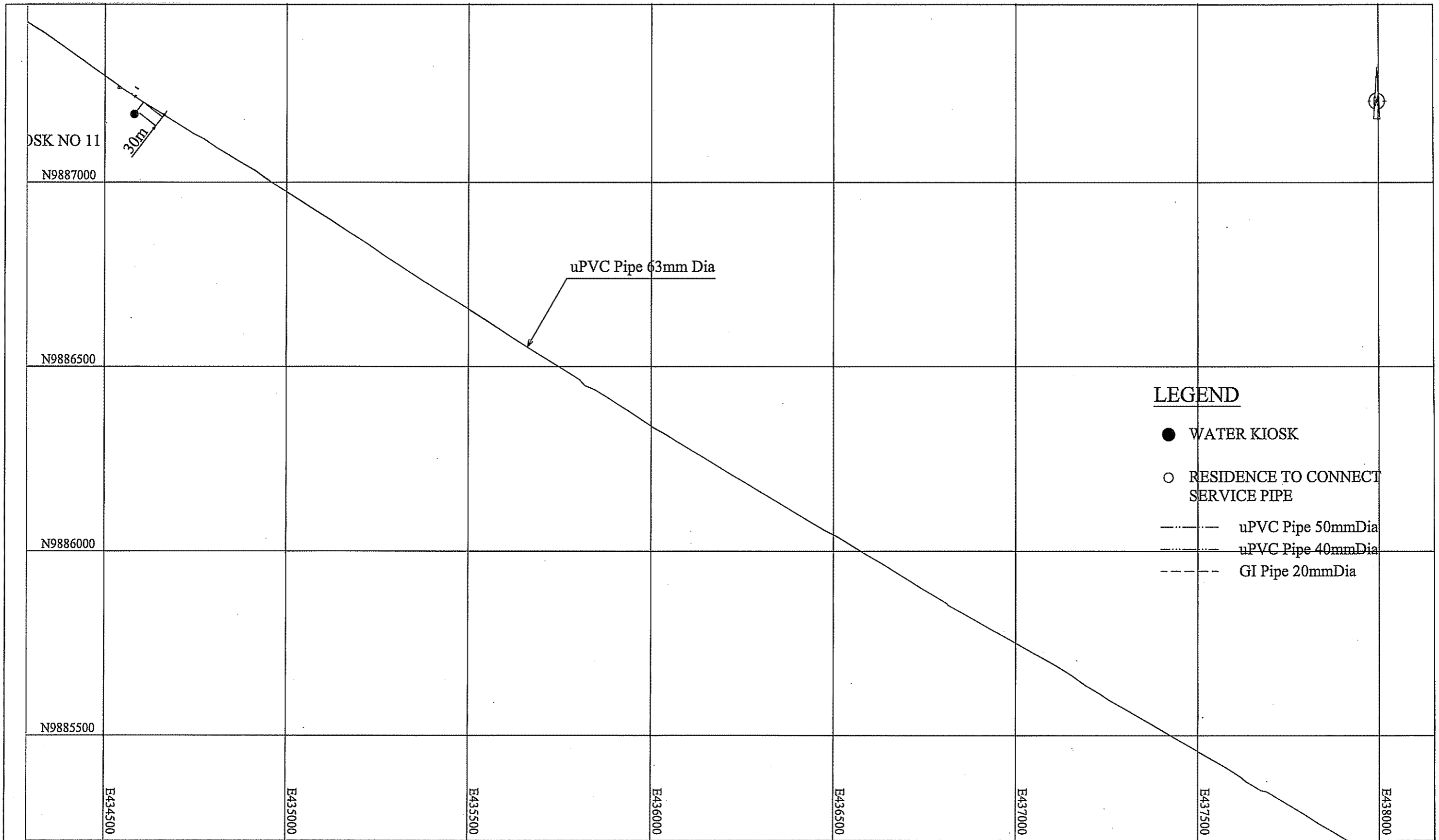
OWNER:
THE MINISTRY OF WATER AND IRRIGATION
THE REPUBLIC OF KENYA

PROJECT NAME:
THE PROJECT FOR
RURAL WATER SUPPLY

CONSULTING ENGINEERS:
 **NIPPON KOEI CO.,LTD.**

TITLE:
REHABILITATION OF MORA SPRING WATER SUPPLY FACILITY
PLAN OF TRANSMISSION AND DISTRIBUTION PIPE LINE(7/9)

SCALE 1:1000	DATE FEB.2006	DRAWING NO. WSF-011
-----------------	------------------	------------------------




LEGEND

- WATER KIOSK
- RESIDENCE TO CONNECT SERVICE PIPE
- uPVC Pipe 50mmDia
- uPVC Pipe 40mmDia
- GI Pipe 20mmDia

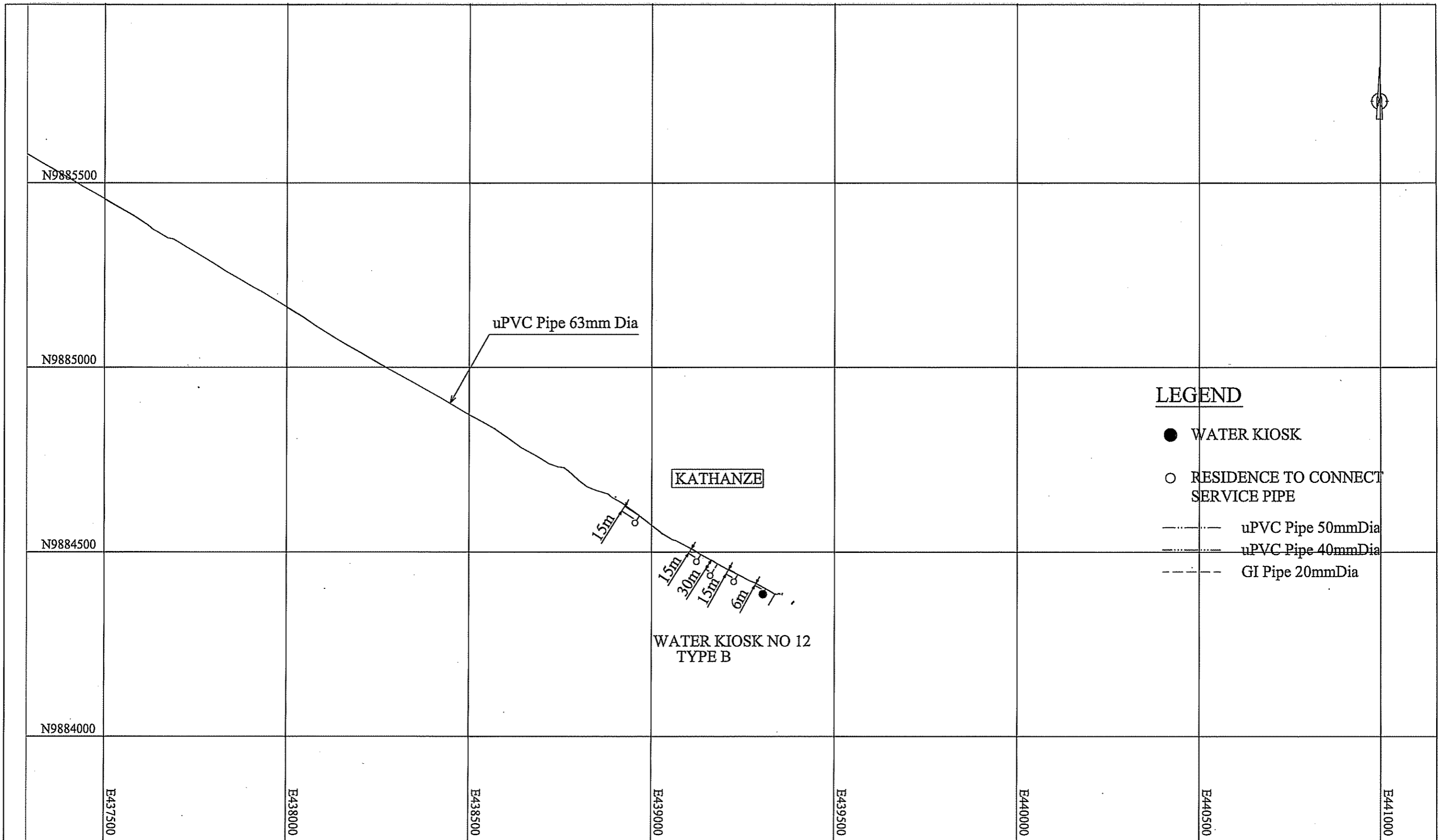
OWNER:
THE MINISTRY OF WATER AND IRRIGATION
THE REPUBLIC OF KENYA

PROJECT NAME:
THE PROJECT FOR
RURAL WATER SUPPLY

CONSULTING ENGINEERS:
 **NIPPON KOEI CO.,LTD.**

TITLE:
REHABILITATION OF MORA SPRING WATER SUPPLY FACILITY
PLAN OF TRANSMISSION AND DISTRIBUTION PIPE LINE(8/9)

SCALE	DATE	DRAWING NO.
1:1000	FEB.2006	WSF-012




LEGEND

- WATER KIOSK
- RESIDENCE TO CONNECT SERVICE PIPE
- uPVC Pipe 50mmDia
- uPVC Pipe 40mmDia
- GI Pipe 20mmDia

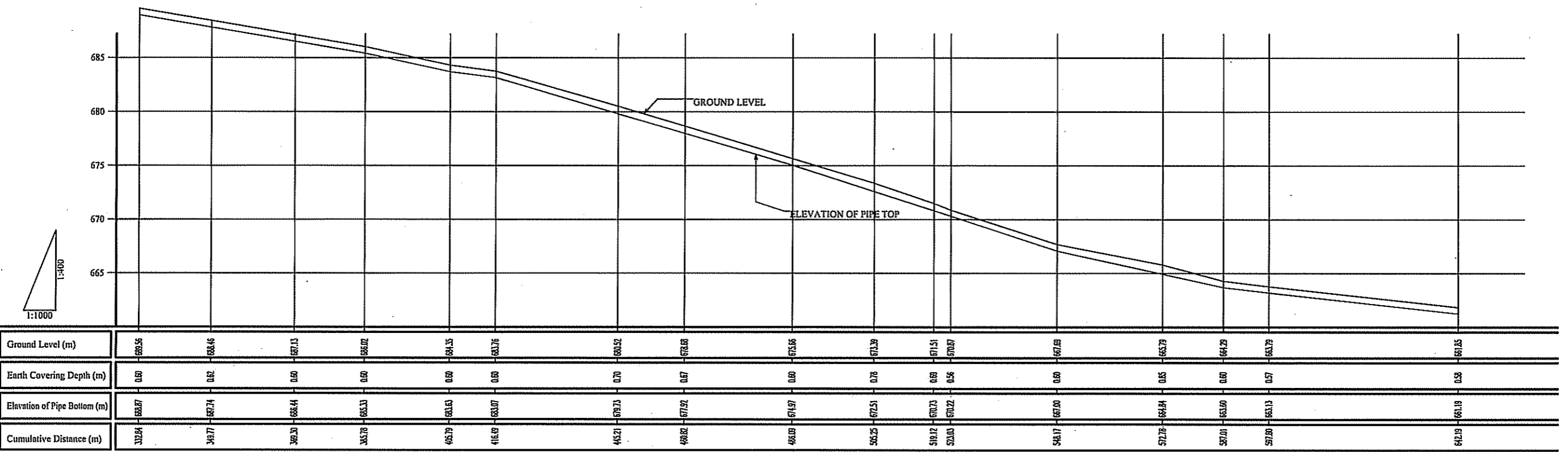
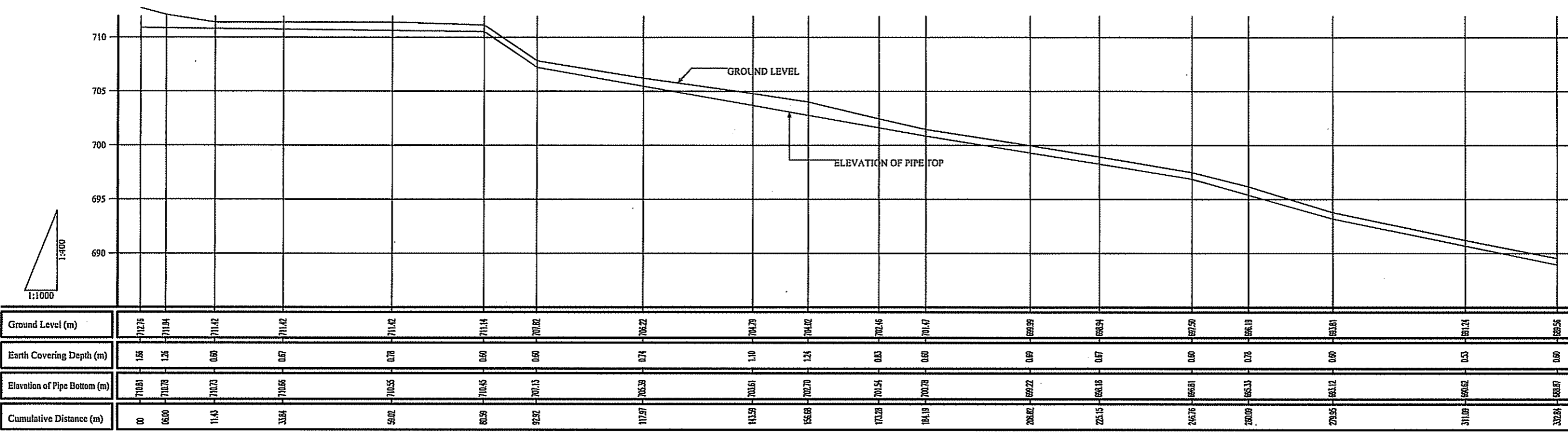
OWNER:
THE MINISTRY OF WATER AND IRRIGATION
THE REPUBLIC OF KENYA

PROJECT NAME:
THE PROJECT FOR
RURAL WATER SUPPLY

CONSULTING ENGINEERS:
 **NIPPON KOEI CO.,LTD.**


TITLE:
REHABILITATION OF MORA SPRING WATER SUPPLY FACILITY
PLAN OF TRANSMISSION AND DISTRIBUTION PIPE LINE(9/9)

SCALE	DATE	DRAWING NO.
1:1000	FEB.2006	WSF-013



OWNER:
THE MINISTRY OF WATER AND IRRIGATION
THE REPUBLIC OF KENYA

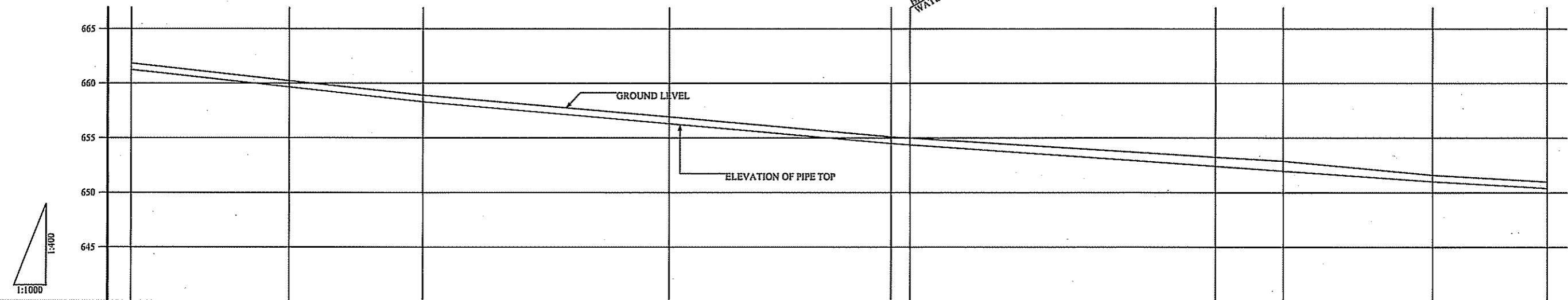
PROJECT NAME:
THE PROJECT FOR
RURAL WATER SUPPLY

CONSULTING ENGINEERS:
 NIPPON KOEI CO., LTD.

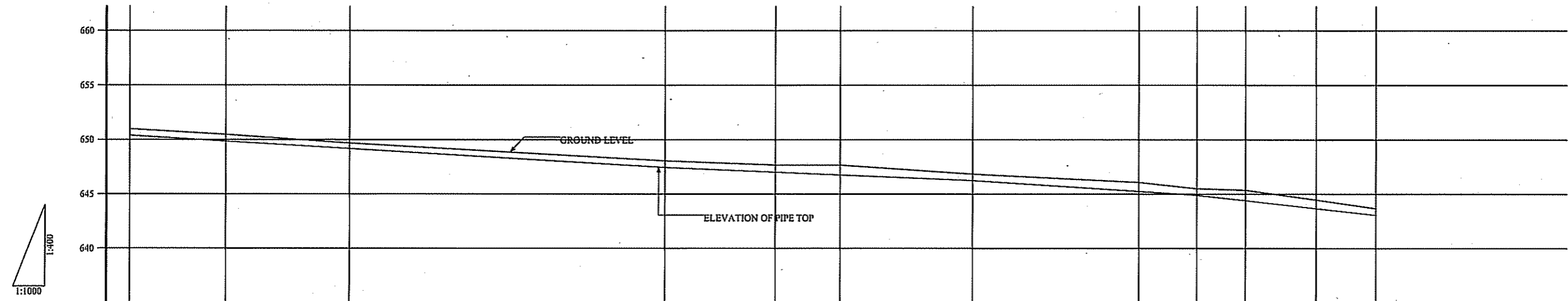
TITLE:
REHABILITATION OF MORA SPRING WATER SUPPLY FACILITY
PROFILE OF TRANSMISSION AND DISTRIBUTION PIPELINE(1/40)

SCALE H = 1:1000 V = 1:400	DATE FEB.2006	DRAWING NO. WSF-014
----------------------------------	------------------	------------------------

BRANCH CHAMBER
WATER KIOSK NO. 1




Ground Level (m)	661.65	660.24	658.91	656.94	655.19	654.99	653.24	652.89	651.61	650.99
Earth Covering Depth (m)	0.56	0.57	0.60	0.63	0.60	0.51	0.63	0.62	0.60	0.61
Elevation of Pipe Bottom (m)	651.19	652.56	653.22	656.22	654.41	653.29	652.32	651.86	650.92	650.29
Cumulative Distance (m)	642.19	676.91	702.56	717.11	818.6	823.00	823.97	890.71	944.41	971.21



Ground Level (m)	650.99	650.49	649.70	648.06	647.67	647.65	646.25	646.08	645.50	645.36	644.47	641.57
Earth Covering Depth (m)	0.61	0.63	0.52	0.60	0.65	0.91	0.60	0.63	0.60	0.66	0.79	0.60
Elevation of Pipe Bottom (m)	650.29	649.76	649.09	647.37	646.93	646.68	645.16	645.16	644.81	644.31	643.99	641.29
Cumulative Distance (m)	971.21	993.35	1022.27	1085.16	1120.19	1136.10	1166.66	1206.30	1218.23	1230.08	1246.19	1260.23

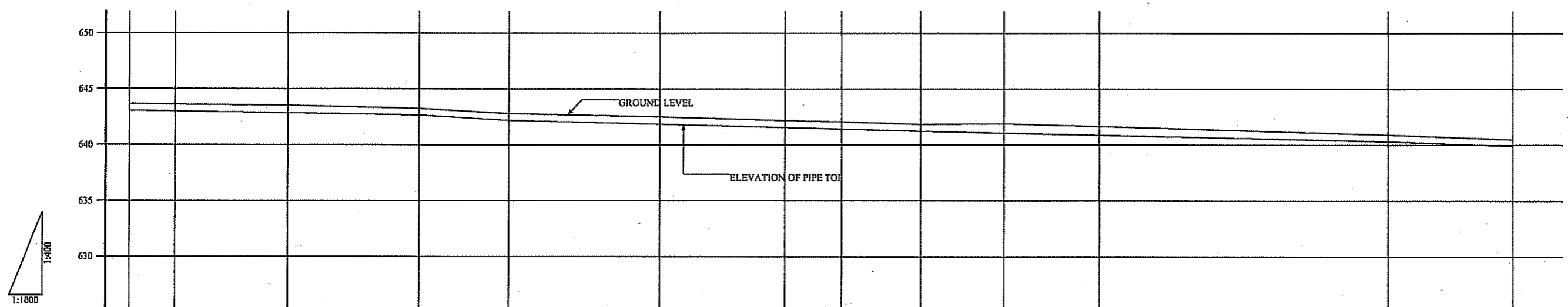
OWNER:
THE MINISTRY OF WATER AND IRRIGATION
THE REPUBLIC OF KENYA

PROJECT NAME:
THE PROJECT FOR
RURAL WATER SUPPLY

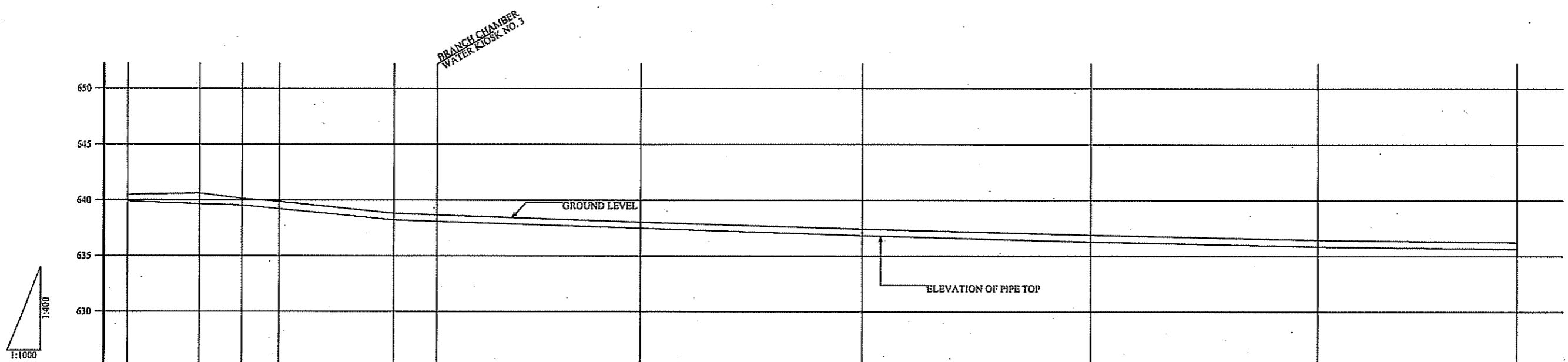
CONSULTING ENGINEERS:
 NIPPON KOEI CO., LTD.

TITLE:
REHABILITATION OF MORA SPRING WATER SUPPLY FACILITY
PROFILE OF TRANSMISSION AND DISTRIBUTION PIPELINE(2/40)

SCALE H = 1:1000 V = 1:400	DATE FEB.2006	DRAWING NO. WSF-015
----------------------------------	------------------	------------------------




Ground Level (m)	643.57	643.51	643.53	643.25	642.78	642.51	642.19	641.87	641.84	641.90	641.66	641.97	641.50
Earth Covering Depth (m)	0.60	0.60	0.68	0.60	0.60	0.67	0.53	0.65	0.60	0.63	0.78	0.60	0.59
Elevation of Pipe Bottom (m)	642.98	642.92	642.75	642.56	642.10	641.75	641.66	641.33	641.55	641.69	640.88	641.33	640.93
Cumulative Distance (m)	1260.29	1270.71	1285.20	1320.00	1346.20	1380.00	1406.86	1421.66	1433.89	1438.59	1480.17	1545.67	1574.07



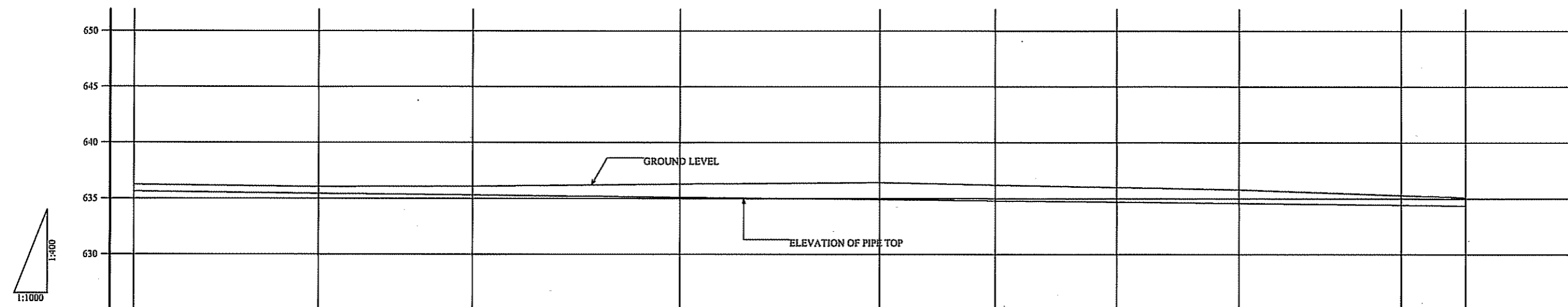
Ground Level (m)	640.50	640.63	640.14	639.89	639.83	639.68	639.84	637.43	636.88	636.45	636.25
Earth Covering Depth (m)	0.59	0.55	0.60	0.67	0.60	0.59	0.54	0.60	0.60	0.60	0.60
Elevation of Pipe Bottom (m)	639.93	639.99	639.45	639.13	639.14	639.01	637.40	636.74	636.19	635.76	635.56
Cumulative Distance (m)	1574.07	1594.44	1600.05	1626.46	1634.45	1642.28	1680.27	1749.44	1792.16	1843.59	1888.74

OWNER:
THE MINISTRY OF WATER AND IRRIGATION
THE REPUBLIC OF KENYA

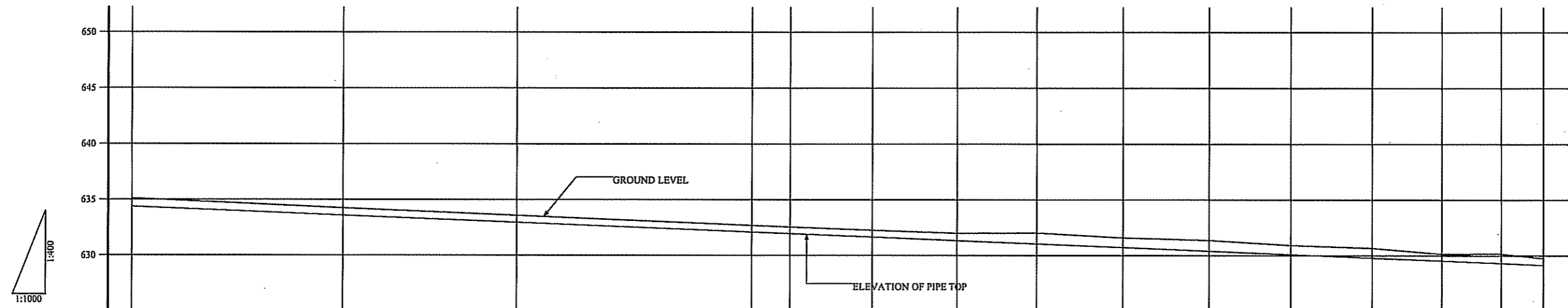
PROJECT NAME:
THE PROJECT FOR
RURAL WATER SUPPLY

CONSULTING ENGINEERS:
 NIPPON KOEI CO., LTD.

TITLE:
REHABILITATION OF MORA SPRING WATER SUPPLY FACILITY
PROFILE OF TRANSMISSION AND DISTRIBUTION PIPELINE(3/40)
SCALE
H = 1:1000
V = 1:400
DATE
FEB.2006
DRAWING NO.
WSF-016




Ground Level (m)	636.25	636.06	635.89	635.30	635.44	635.22	635.01	635.80	635.30	635.12
Earth Covering Depth (m)	0.00	0.00	0.08	1.18	1.51	1.40	1.31	1.22	0.07	0.05
Elevation of Pipe Bottom (m)	635.55	635.27	635.22	634.00	634.84	634.72	634.61	634.69	634.24	634.29
Cumulative Distance (m)	1988.74	1993.51	1995.41	2012.29	2057.75	2065.85	2111.55	2130.25	2173.93	2190.64



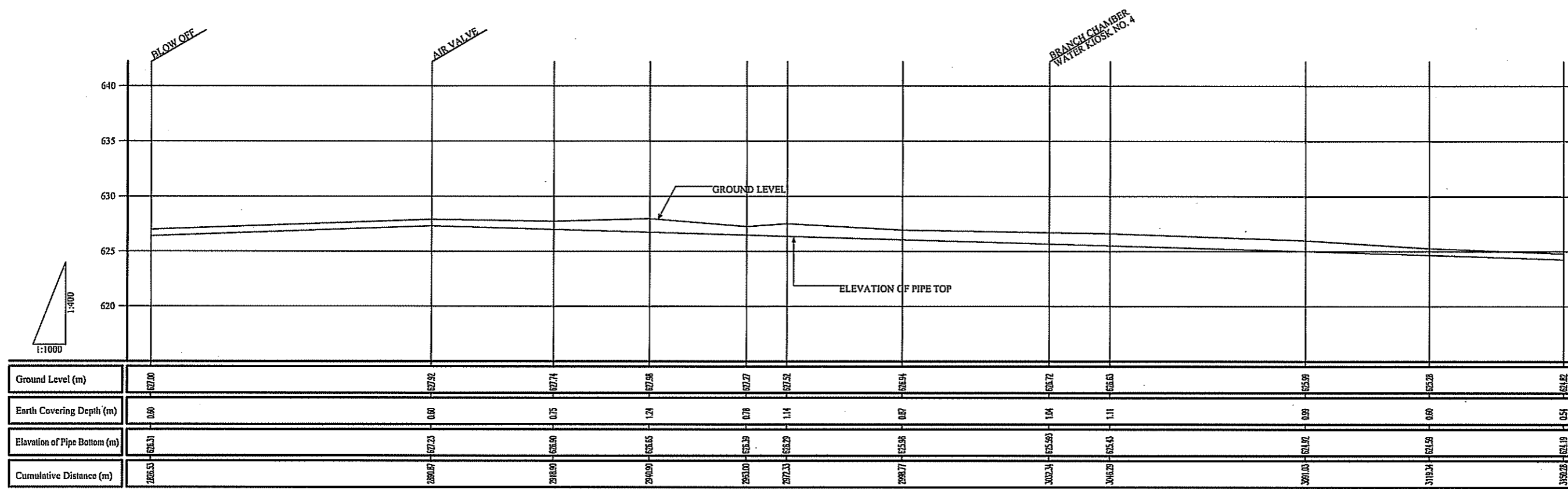
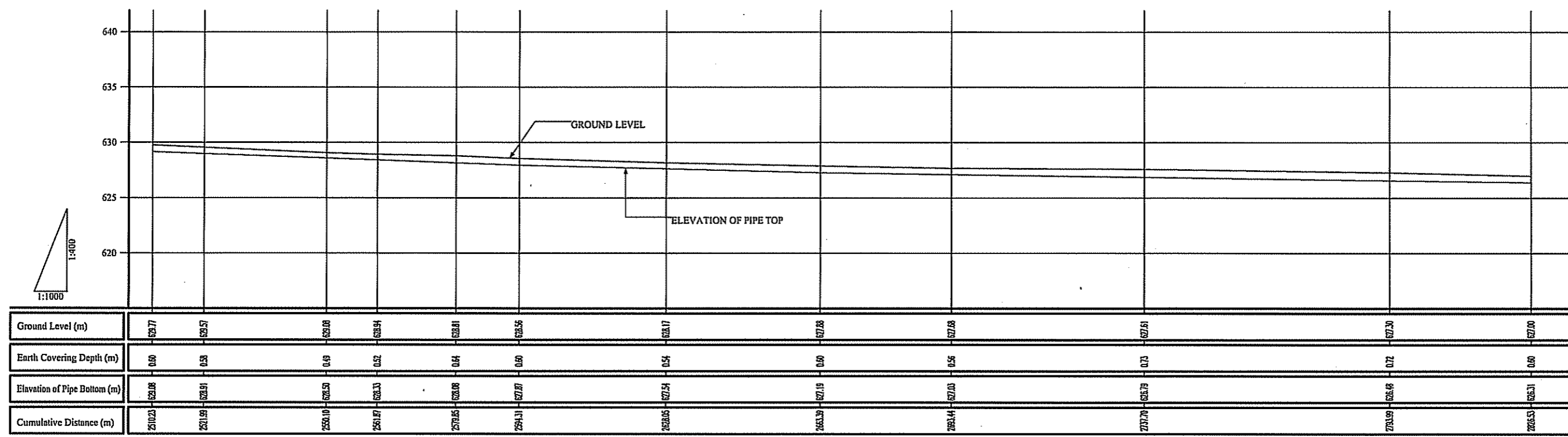
Ground Level (m)	635.12	634.25	633.59	632.71	632.55	632.27	632.00	632.04	631.60	631.38	630.94	630.88	630.15	630.18	629.77
Earth Covering Depth (m)	0.15	0.56	0.63	0.80	0.60	0.61	0.65	0.69	0.66	0.56	0.63	0.66	0.80	0.85	0.80
Elevation of Pipe Bottom (m)	634.28	633.51	632.87	631.92	631.87	631.57	631.26	630.96	630.64	630.32	630.02	629.72	629.46	629.24	629.08
Cumulative Distance (m)	2190.64	2238.45	2277.80	2330.94	2339.59	2353.30	2377.35	2385.50	2415.02	2431.39	2453.00	2471.35	2487.15	2500.65	2512.23

OWNER:
THE MINISTRY OF WATER AND IRRIGATION
THE REPUBLIC OF KENYA

PROJECT NAME:
THE PROJECT FOR
RURAL WATER SUPPLY


CONSULTING ENGINEERS:
 NIPPON KOEI CO., LTD.

TITLE:
REHABILITATION OF MORA SPRING WATER SUPPLY FACILITY
PROFILE OF TRANSMISSION AND DISTRIBUTION PIPELINE(4/40)
SCALE
H = 1:1000
V = 1:400
DATE
FEB.2006
DRAWING NO.
WSF-017



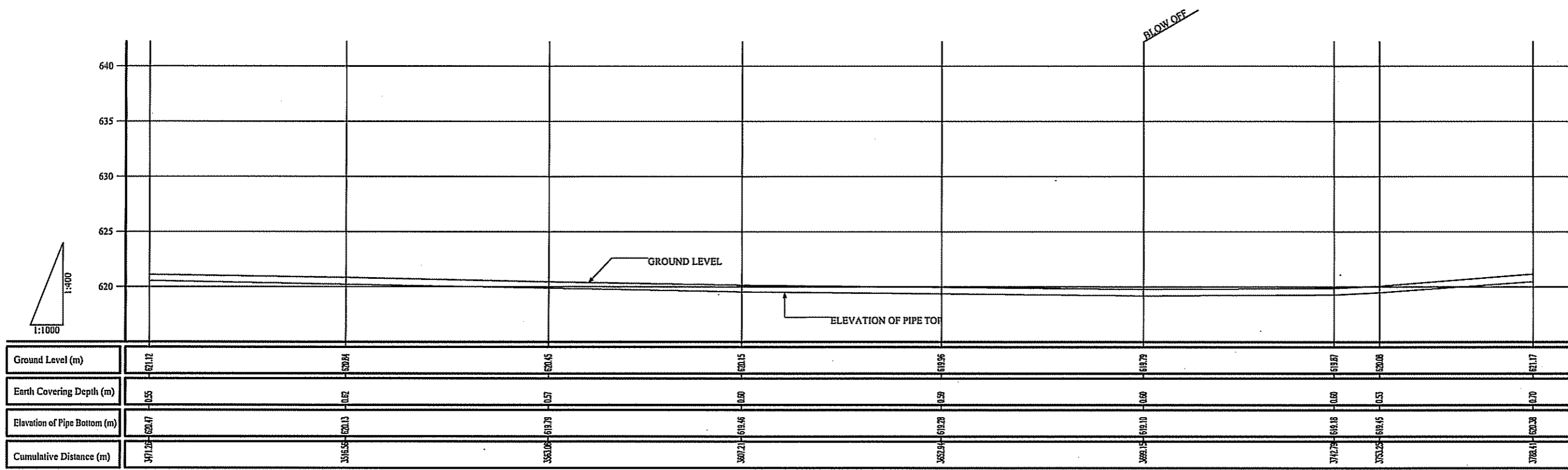
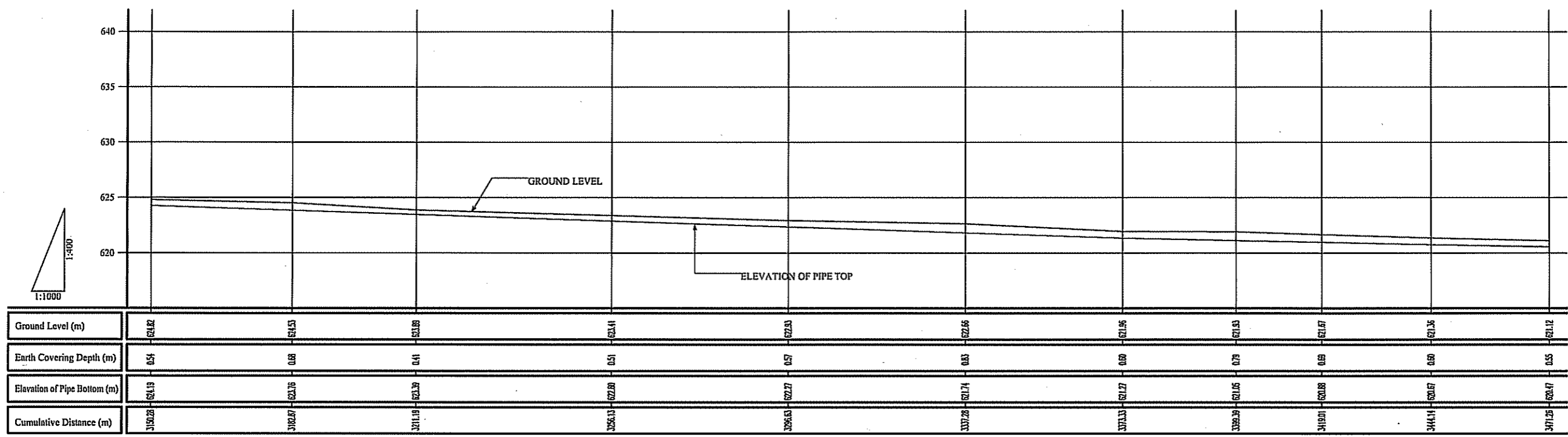
OWNER:
THE MINISTRY OF WATER AND IRRIGATION
THE REPUBLIC OF KENYA

PROJECT NAME:
THE PROJECT FOR
RURAL WATER SUPPLY

CONSULTING ENGINEERS:
 NIPPON KOEI CO., LTD.


TITLE:
REHABILITATION OF MORA SPRING WATER SUPPLY FACILITY
PROFILE OF TRANSMISSION AND DISTRIBUTION PIPELINE(5/40)

SCALE H = 1:1000 V = 1:400	DATE FEB.2006	DRAWING NO. WSF-018
----------------------------------	------------------	------------------------



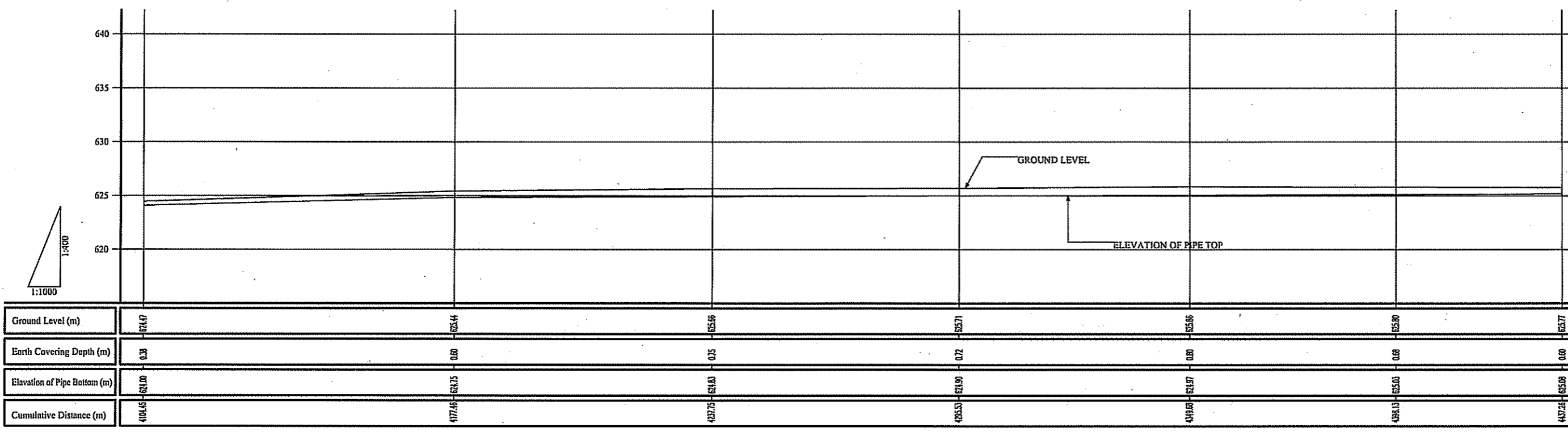
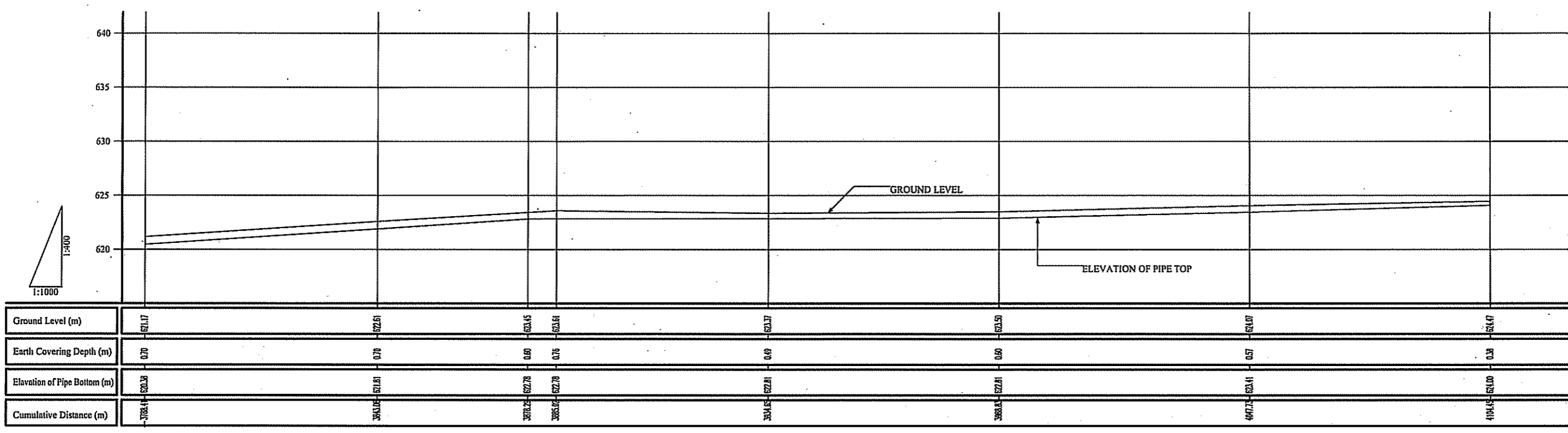
OWNER:
THE MINISTRY OF WATER AND IRRIGATION
THE REPUBLIC OF KENYA

PROJECT NAME:
THE PROJECT FOR
RURAL WATER SUPPLY

CONSULTING ENGINEERS:
 NIPPON KOEI CO., LTD.


TITLE:
REHABILITATION OF MORA SPRING WATER SUPPLY FACILITY
PROFILE OF TRANSMISSION AND DISTRIBUTION PIPELINE(6/40)

SCALE H = 1:1000 V = 1:400	DATE FEB.2006	DRAWING NO. WSF-019
----------------------------------	------------------	------------------------



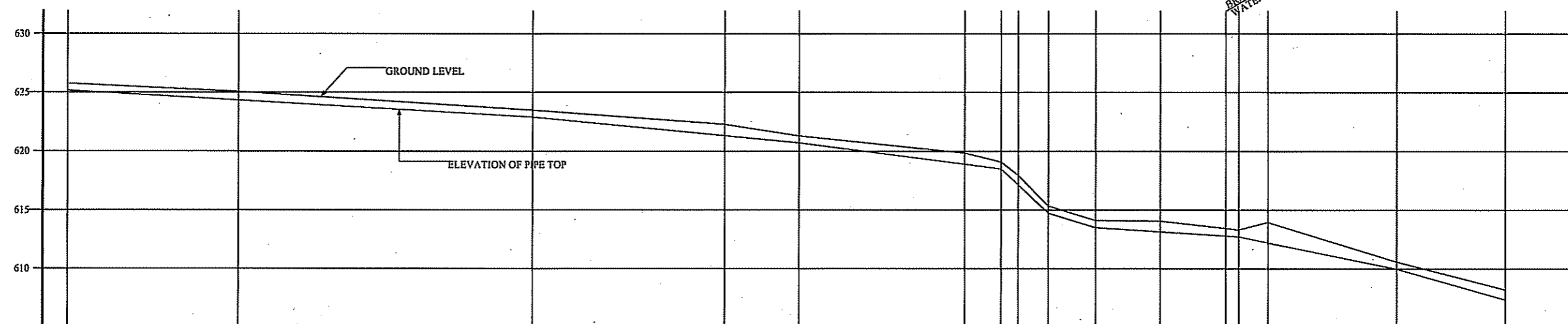
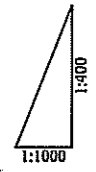
OWNER:
THE MINISTRY OF WATER AND IRRIGATION
THE REPUBLIC OF KENYA

PROJECT NAME:
THE PROJECT FOR
RURAL WATER SUPPLY

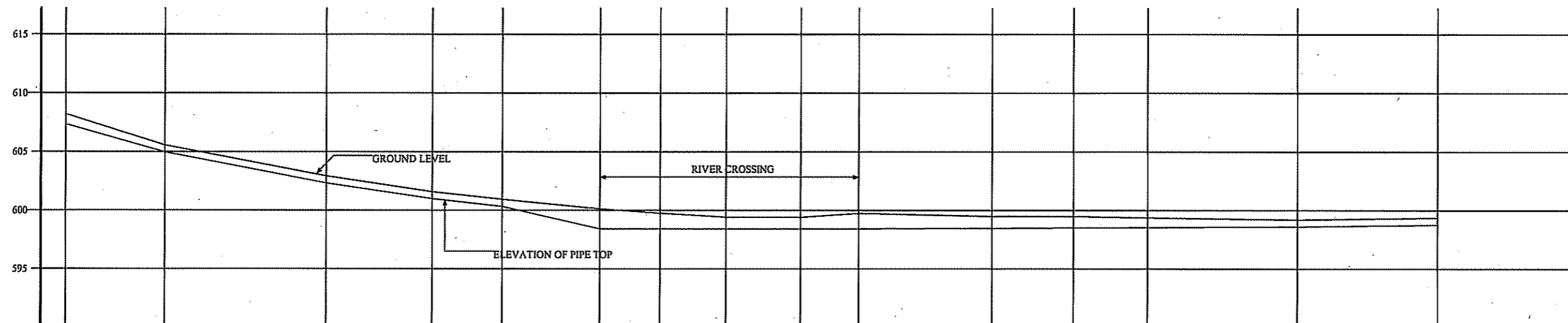
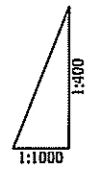
CONSULTING ENGINEERS:
 NIPPON KOEI CO., LTD.

TITLE:
REHABILITATION OF MORA SPRING WATER SUPPLY FACILITY
PROFILE OF TRANSMISSION AND DISTRIBUTION PIPELINE(7/40)

SCALE H = 1:1000 V = 1:400	DATE FEB.2006	DRAWING NO. WSF-020
----------------------------------	------------------	------------------------



Ground Level (m)	623.77	623.08	621.59	620.29	619.32	618.07	617.10	617.95	615.35	614.11	611.05	613.45	613.33	613.97	610.59	608.23
Earth Covering Depth (m)	0.00	0.74	0.60	0.96	0.60	0.95	0.60	0.61	0.60	0.60	0.61	0.65	0.60	1.75	0.60	0.67
Elevation of Pipe Bottom (m)	623.11	622.28	622.24	621.27	620.55	618.64	616.43	617.09	614.69	613.45	610.10	612.74	612.66	612.15	609.93	607.20
Cumulative Distance (m)	0.00	36.66	100.43	141.77	157.95	193.52	201.42	205.12	211.72	222.06	235.08	249.96	252.81	259.17	265.94	310.43



Ground Level (m)	608.23	605.58	602.94	601.59	600.94	600.13	599.76	599.42	599.40	599.75	599.49	599.49	599.37	599.26	599.37
Earth Covering Depth (m)	0.67	0.60	0.60	0.60	0.60	1.70	1.33	0.99	0.97	1.32	1.00	0.97	0.63	0.60	0.60
Elevation of Pipe Bottom (m)	607.30	604.91	602.28	600.93	600.28	598.36	598.37	598.37	598.36	598.37	598.42	598.46	598.71	598.54	598.71
Cumulative Distance (m)	310.43	331.83	366.7	398.56	444.69	452.71	438.63	432.62	432.05	461.54	510.11	527.28	543.70	576.13	606.21

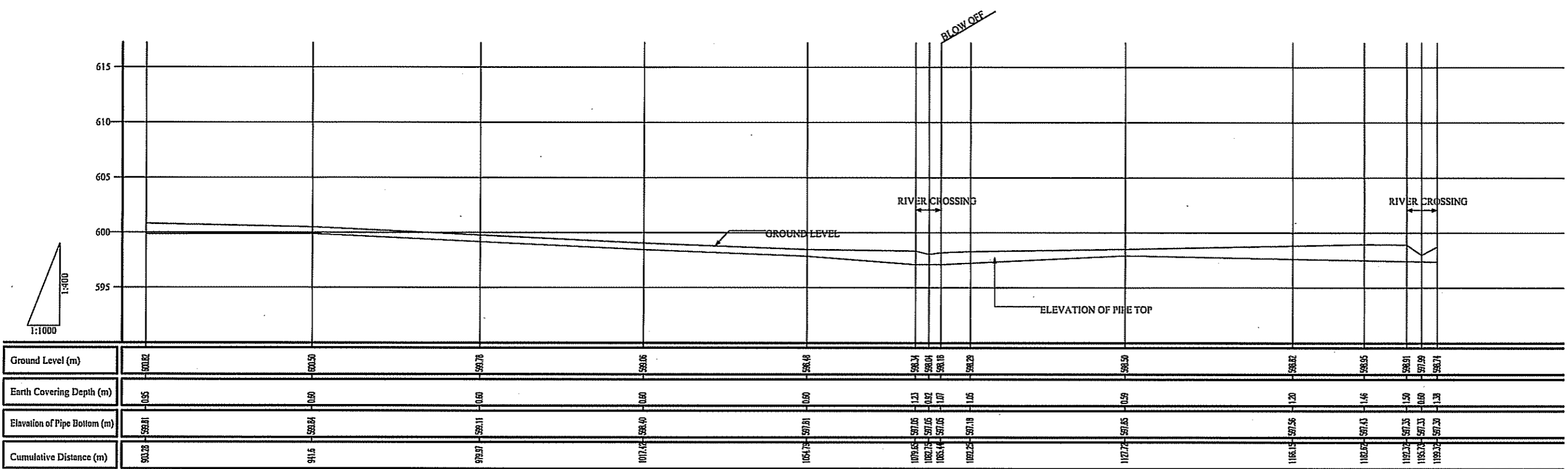
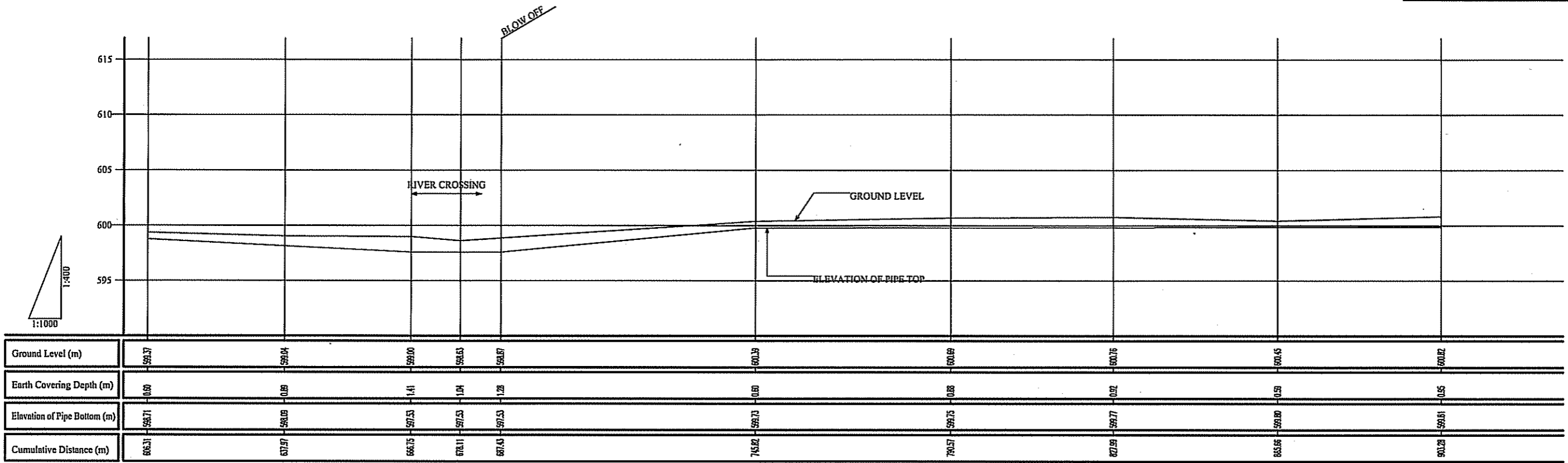
OWNER:
THE MINISTRY OF WATER AND IRRIGATION
THE REPUBLIC OF KENYA

PROJECT NAME:
THE PROJECT FOR
RURAL WATER SUPPLY

CONSULTING ENGINEERS:
 NIPPON KOEI CO.,LTD.


TITLE:
REHABILITATION OF MORA SPRING WATER SUPPLY FACILITY
PROFILE OF TRANSMISSION AND DISTRIBUTION PIPELINE(8/40)

SCALE H = 1:1000 V = 1:400	DATE FEB.2006	DRAWING NO. WSF-021
----------------------------------	------------------	------------------------



OWNER:
THE MINISTRY OF WATER AND IRRIGATION
THE REPUBLIC OF KENYA

PROJECT NAME:
THE PROJECT FOR
RURAL WATER SUPPLY

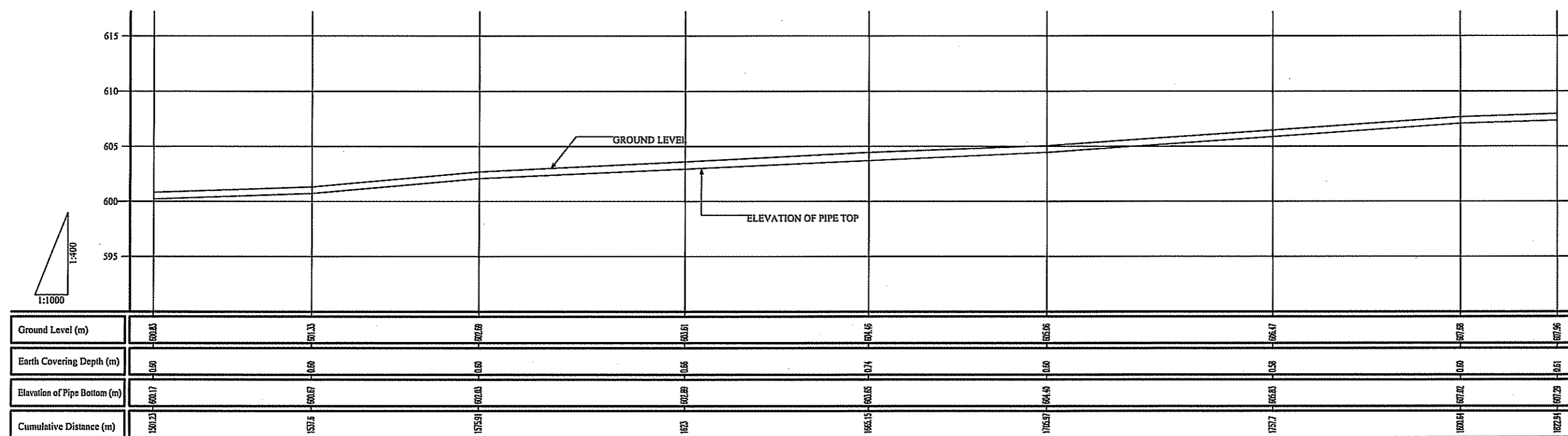
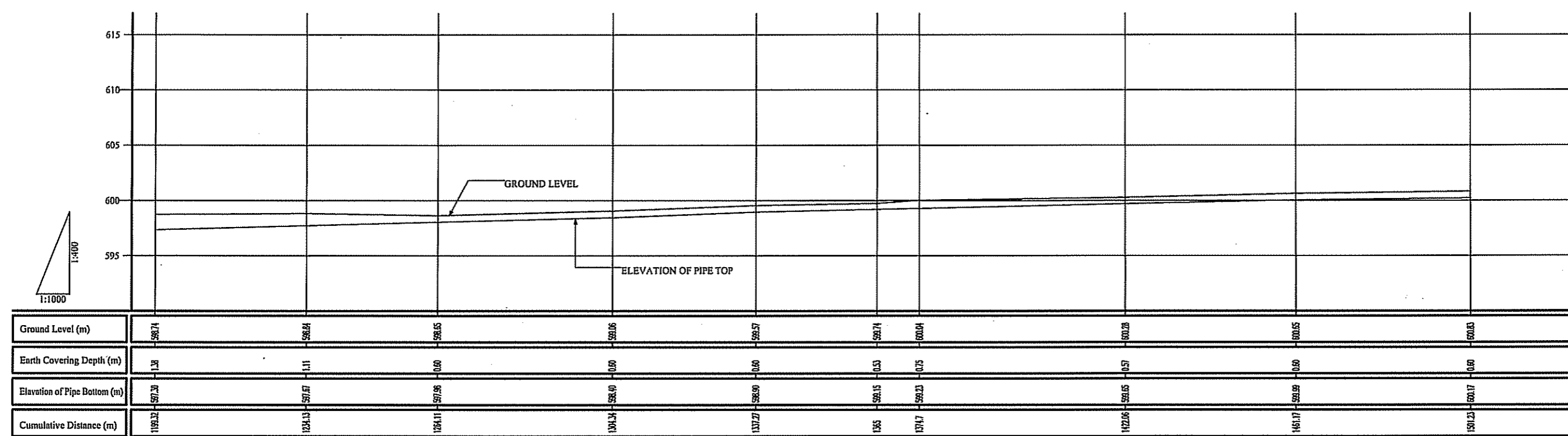
CONSULTING ENGINEERS:
 NIPPON KOEI CO., LTD.

TITLE:
REHABILITATION OF MORA SPRING WATER SUPPLY FACILITY
PROFILE OF TRANSMISSION AND DISTRIBUTION PIPELINE(9/40)

SCALE
H = 1:1000
V = 1:400


DATE
FEB.2006

DRAWING NO.
WSF-022



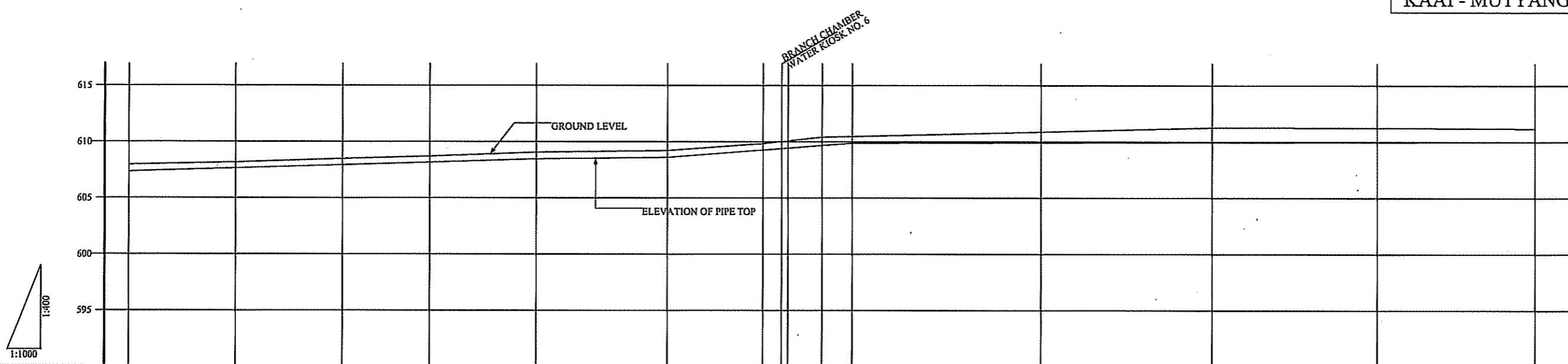
OWNER:
THE MINISTRY OF WATER AND IRRIGATION
THE REPUBLIC OF KENYA

PROJECT NAME:
THE PROJECT FOR
RURAL WATER SUPPLY

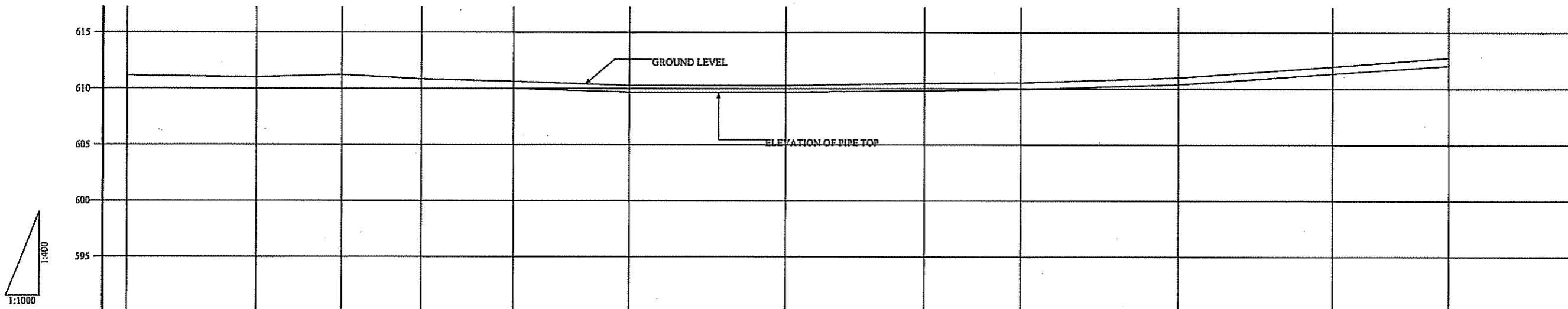
CONSULTING ENGINEERS:
 NIPPON KOEI CO., LTD.

TITLE:
REHABILITATION OF MORA SPRING WATER SUPPLY FACILITY
PROFILE OF TRANSMISSION AND DISTRIBUTION PIPELINE(10/40)

SCALE H = 1:1000 V = 1:400	DATE FEB.2006	DRAWING NO. WSF-023
----------------------------------	------------------	------------------------



Ground Level (m)	607.96	608.16	608.49	608.72	609.07	609.22	609.65	610.07	610.43	610.88	611.27	611.25	611.18
Earth Covering Depth (m)	0.61	0.52	0.56	0.54	0.60	0.60	0.59	0.63	0.76	0.67	1.13	1.28	1.18
Elevation of Pipe Bottom (m)	607.29	607.59	607.87	608.11	608.40	608.55	609.20	609.33	609.61	609.84	609.88	609.91	609.00
Cumulative Distance (m)	1822.94	1871.13	1871.07	1880.85	1914.87	1944.31	1955.81	1970.09	1973.21	1983.01	2003.55	2067.11	2143.16



Ground Level (m)	611.18	611.02	611.24	610.66	610.64	610.29	610.29	610.49	610.55	611.00	611.93	612.28
Earth Covering Depth (m)	1.18	1.02	1.23	0.65	0.63	0.60	0.60	0.65	0.60	0.60	0.63	0.71
Elevation of Pipe Bottom (m)	610.00	609.94	609.94	609.94	609.94	609.63	609.63	609.78	609.88	610.33	611.29	612.01
Cumulative Distance (m)	2143.16	2182.34	2183.52	2205.54	2227.34	2253.37	2283.54	2319.67	2341.39	2376.9	2411.71	2437.83

OWNER:
THE MINISTRY OF WATER AND IRRIGATION
THE REPUBLIC OF KENYA

PROJECT NAME:
THE PROJECT FOR
RURAL WATER SUPPLY

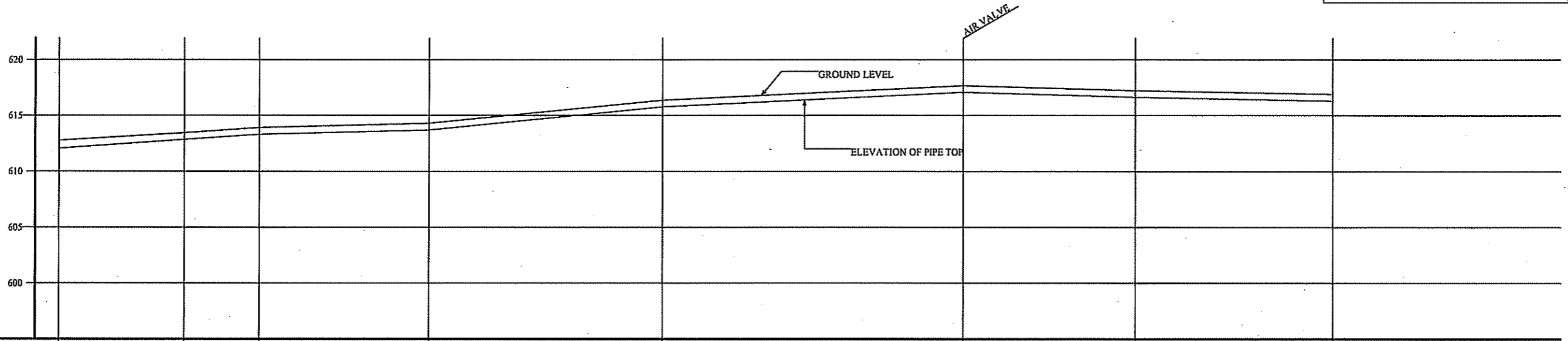
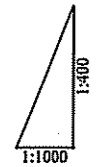
CONSULTING ENGINEERS:
 NIPPON KOEI CO.,LTD.

TITLE:
REHABILITATION OF MORA SPRING WATER SUPPLY FACILITY
PROFILE OF TRANSMISSION AND DISTRIBUTION PIPELINE(1/1/40)

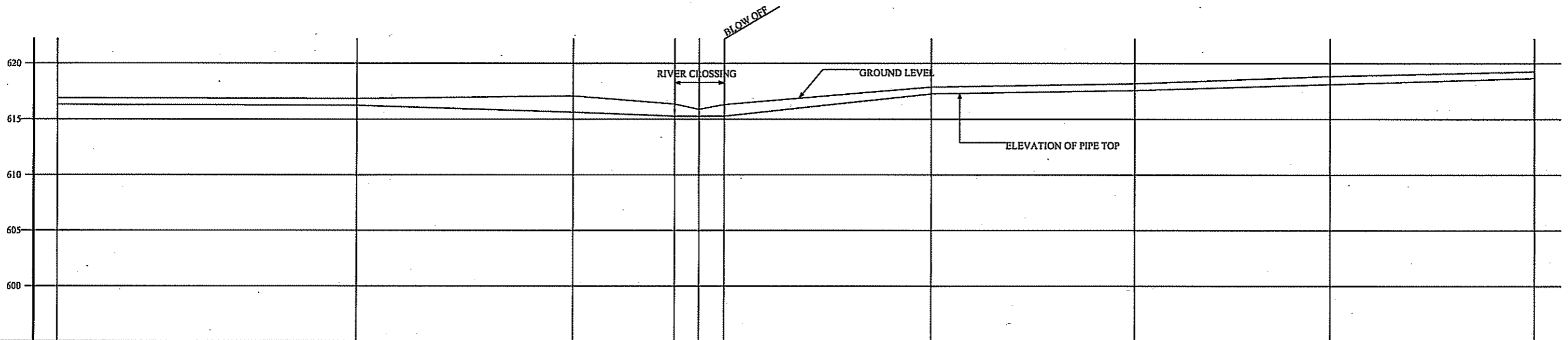
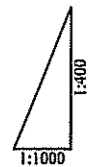
SCALE
H = 1:1000
V = 1:400

DATE
FEB.2006

DRAWING NO.
WSF-024



Ground Level (m)	612.78	613.45	613.92	614.30	614.58	617.89	617.25	616.91
Earth Covering Depth (m)	0.71	0.60	0.60	0.60	0.60	0.60	0.60	0.60
Elevation of Pipe Bottom (m)	612.07	612.79	613.32	613.70	613.98	617.29	616.65	616.31
Cumulative Distance (m)	2457.08	2463.3	2463.37	2463.37	2514.91	2643.27	2652.25	2721.15



Ground Level (m)	616.91	616.65	617.29	616.37	616.59	616.31	617.89	618.19	618.5	618.2
Earth Covering Depth (m)	0.60	0.60	1.44	1.06	0.60	1.02	0.60	0.60	0.73	0.60
Elevation of Pipe Bottom (m)	616.31	616.05	615.85	615.31	615.99	615.29	617.29	617.59	617.77	617.6
Cumulative Distance (m)	2721.15	2751.15	2844.19	2851.17	2872.77	2878.41	2878.41	2878.41	2878.41	3062.51

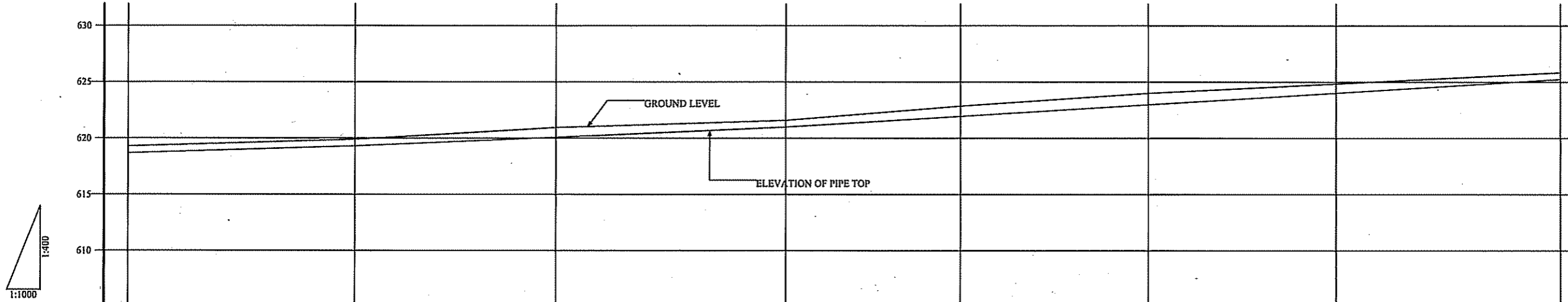
OWNER:
THE MINISTRY OF WATER AND IRRIGATION
THE REPUBLIC OF KENYA

PROJECT NAME:
THE PROJECT FOR
RURAL WATER SUPPLY

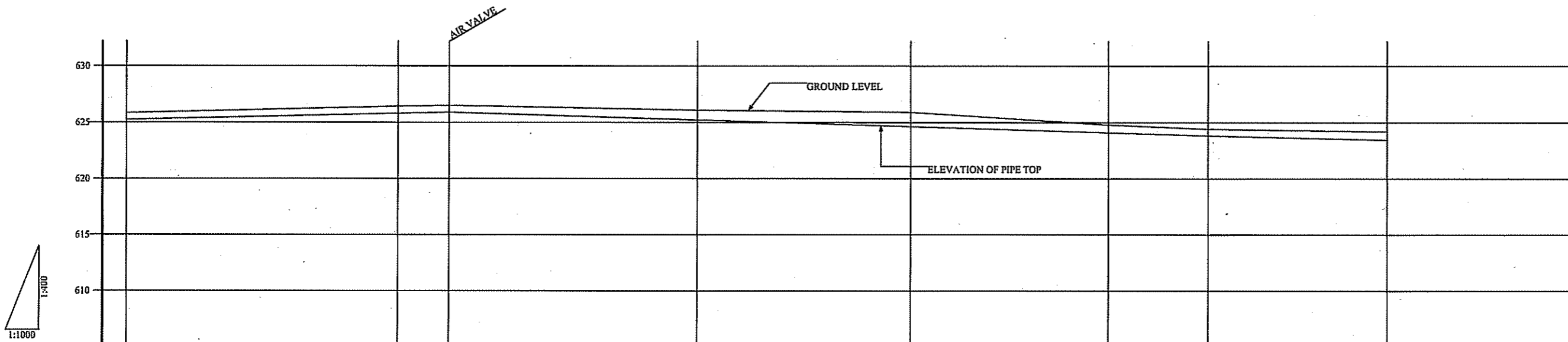
CONSULTING ENGINEERS:
 NIPPON KOEI CO., LTD.

TITLE:
REHABILITATION OF MORA SPRING WATER SUPPLY FACILITY
PROFILE OF TRANSMISSION AND DISTRIBUTION PIPELINE(12/40)

SCALE H = 1:1000 V = 1:400	DATE FEB.2006	DRAWING NO. WSF-025
----------------------------------	------------------	------------------------



Ground Level (m)	619.28	619.29	620.94	621.59	622.88	623.99	624.84	625.84
Earth Covering Depth (m)	0.00	0.00	0.05	0.00	0.01	0.01	0.00	0.00
Elevation of Pipe Bottom (m)	619.28	619.29	620.03	620.03	621.88	622.97	624.85	625.84
Cumulative Distance (m)	3082.55	3111.89	3158.9	3210.67	3269.97	3347.26	3344.61	3343.19



Ground Level (m)	625.84	625.44	625.51	625.09	625.91	624.80	624.47	624.20
Earth Covering Depth (m)	0.00	0.03	0.00	0.06	1.27	0.71	0.00	1.21
Elevation of Pipe Bottom (m)	625.84	625.74	625.05	625.17	624.56	624.03	624.47	623.99
Cumulative Distance (m)	3343.19	3446.35	3497.27	3513.67	3561.54	3681	3682.05	3683.86

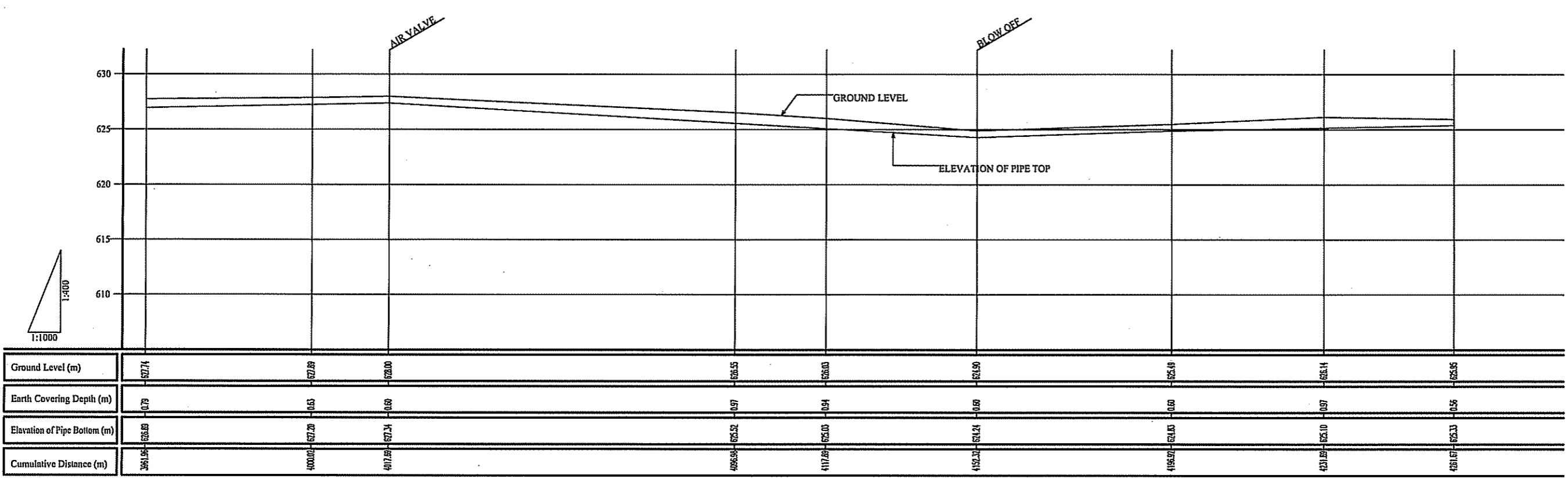
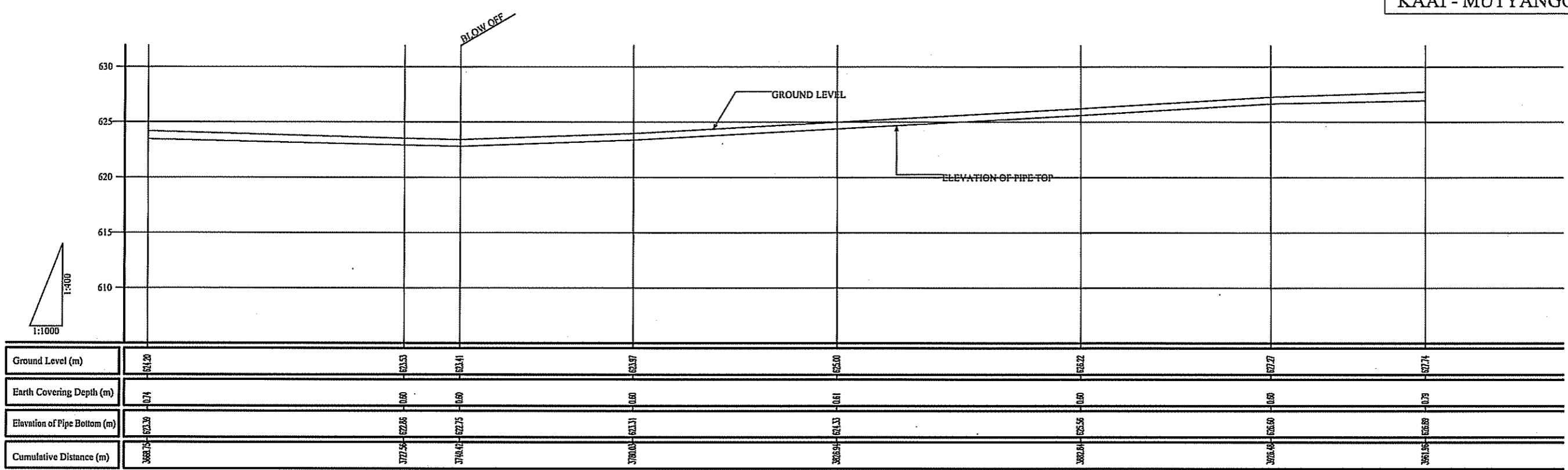
OWNER:
THE MINISTRY OF WATER AND IRRIGATION
THE REPUBLIC OF KENYA

PROJECT NAME:
THE PROJECT FOR
RURAL WATER SUPPLY

CONSULTING ENGINEERS:
 NIPPON KOEI CO.,LTD.


TITLE:
REHABILITATION OF MORA SPRING WATER SUPPLY FACILITY
PROFILE OF TRANSMISSION AND DISTRIBUTION PIPELINE(13/40)

SCALE H = 1:1000 V = 1:400	DATE FEB.2006	DRAWING NO. WSF-026
----------------------------------	------------------	------------------------



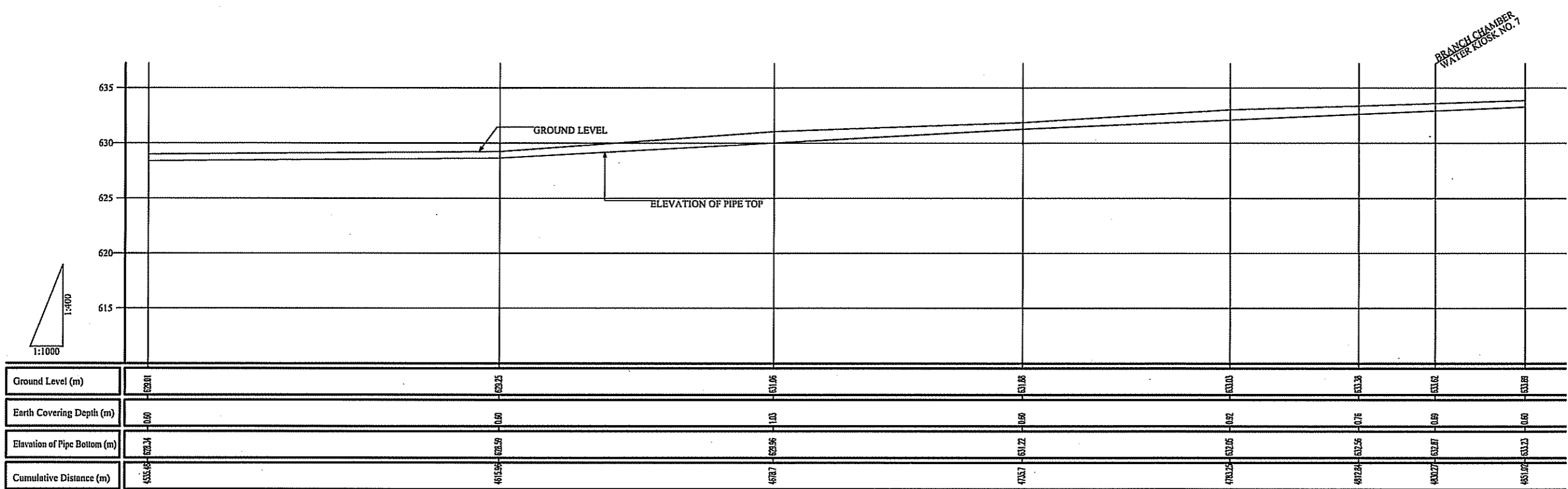
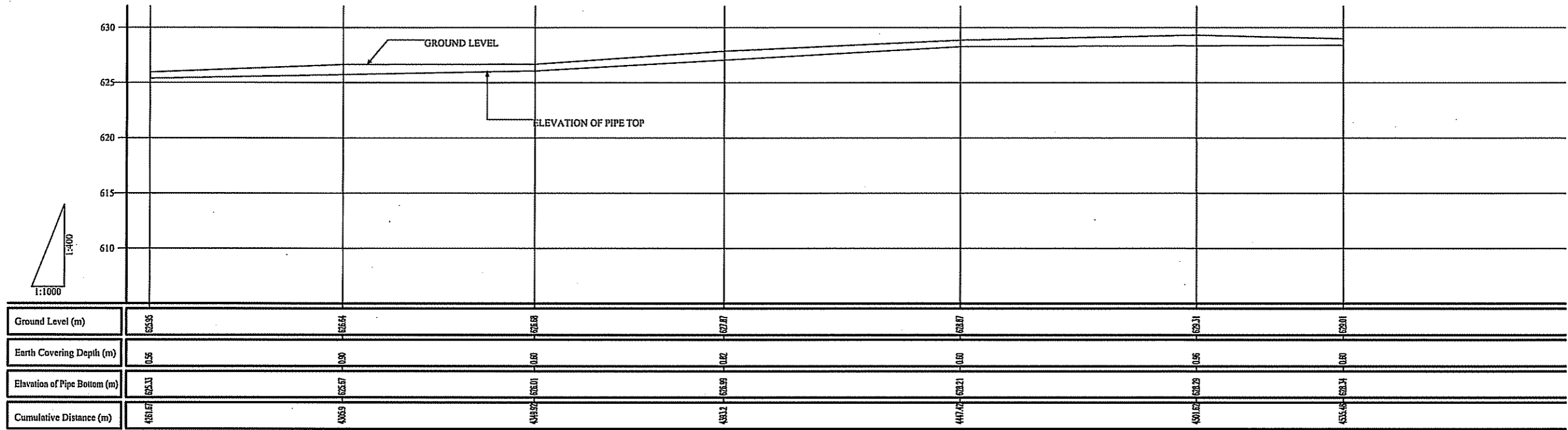
OWNER:
THE MINISTRY OF WATER AND IRRIGATION
THE REPUBLIC OF KENYA

PROJECT NAME:
THE PROJECT FOR
RURAL WATER SUPPLY

CONSULTING ENGINEERS:
 NIPPON KOEI CO.,LTD.

TITLE:
REHABILITATION OF MORA SPRING WATER SUPPLY FACILITY
PROFILE OF TRANSMISSION AND DISTRIBUTION PIPELINE(14/40)


SCALE H = 1:1000 V = 1:400	DATE FEB.2006	DRAWING NO. WSF-027
----------------------------------	------------------	------------------------



BRANCH CHAMBER
WATER KIOSK NO. 7

OWNER:
THE MINISTRY OF WATER AND IRRIGATION
THE REPUBLIC OF KENYA

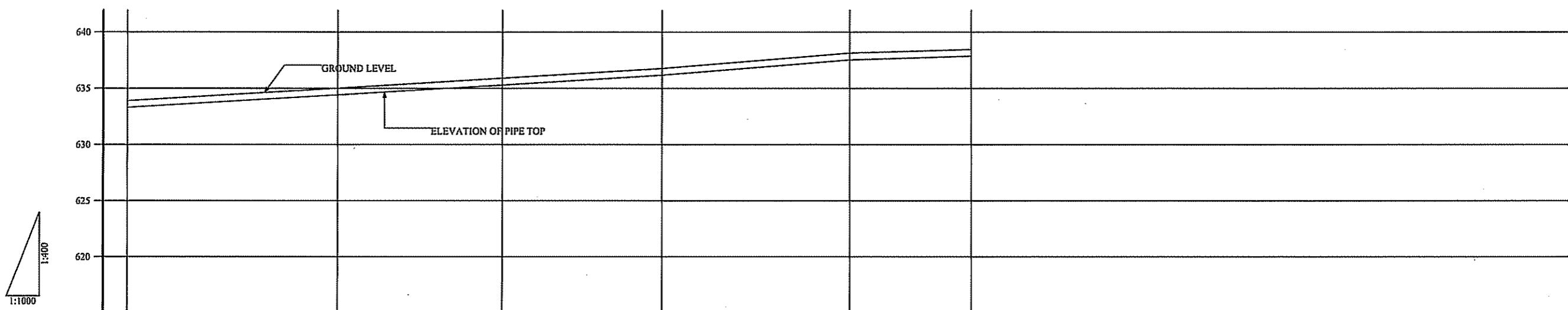
PROJECT NAME:
THE PROJECT FOR
RURAL WATER SUPPLY

CONSULTING ENGINEERS:
 **NIPPON KOEI CO., LTD.**

TITLE:
REHABILITATION OF MORA SPRING WATER SUPPLY FACILITY
PROFILE OF TRANSMISSION AND DISTRIBUTION PIPELINE(15/40)

SCALE H = 1:1000 V = 1:400	DATE FEB.2006	DRAWING NO. WSF-028
----------------------------------	------------------	------------------------


MUTYANGOMBE



Ground Level (m)	633.89	635.01	635.90	636.77	637.14	637.47
Earth Covering Depth (m)	0.60	0.60	0.60	0.60	0.60	0.60
Elevation of Pipe Bottom (m)	633.29	634.41	635.30	636.17	636.54	636.87
Cumulative Distance (m)	498.00	498.60	499.20	500.80	501.40	502.00

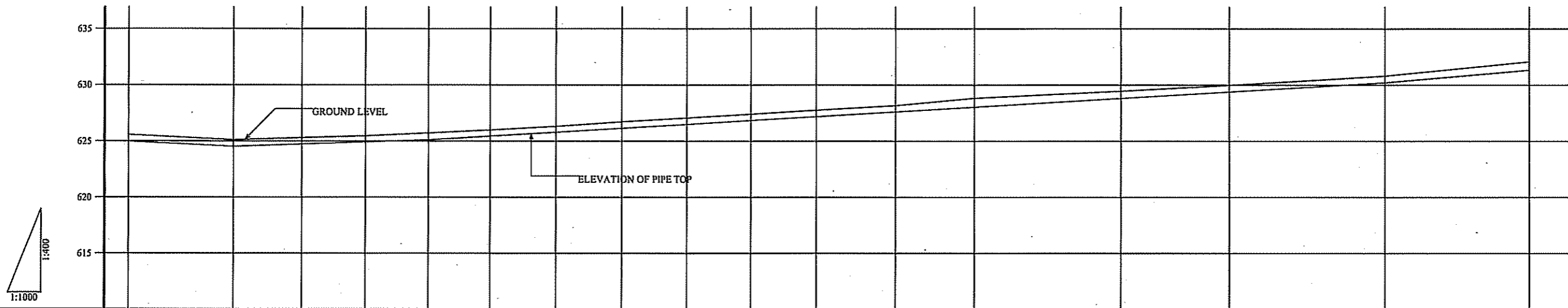
OWNER:
THE MINISTRY OF WATER AND IRRIGATION
THE REPUBLIC OF KENYA

PROJECT NAME:
THE PROJECT FOR
RURAL WATER SUPPLY

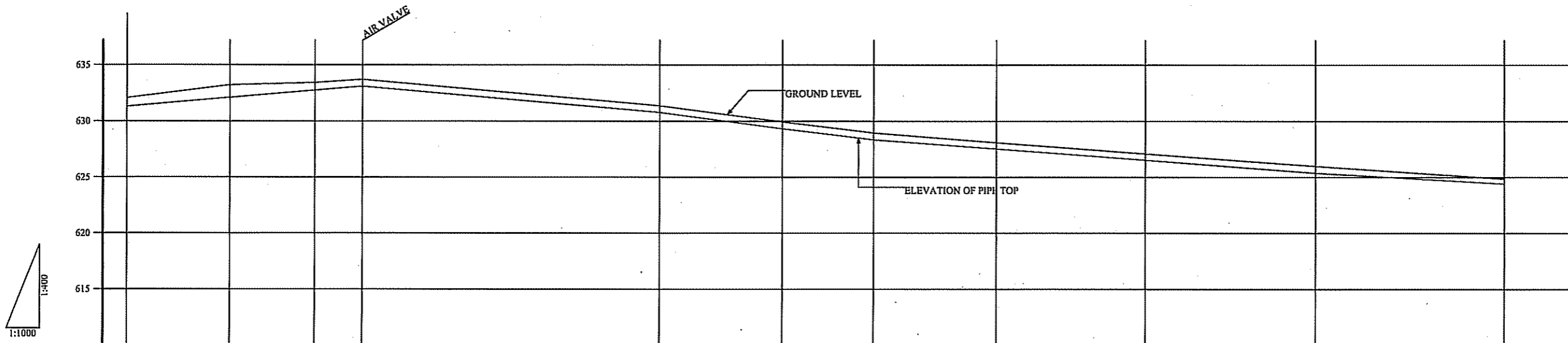
CONSULTING ENGINEERS:
 NIPPON KOEI CO.,LTD.

TITLE:
REHABILITATION OF MORA SPRING WATER SUPPLY FACILITY
PROFILE OF TRANSMISSION AND DISTRIBUTION PIPELINE(16/40)

SCALE H = 1:1000 V = 1:400	DATE FEB.2006	DRAWING NO. WSF-029
----------------------------------	------------------	------------------------



Ground Level (m)	625.58	625.12	625.30	625.47	625.72	625.99	626.33	626.72	627.07	627.40	627.76	628.17	628.63	629.16	629.87	630.61	632.08
Earth Covering Depth (m)	0.60	0.60	0.57	0.54	0.60	0.55	0.53	0.57	0.58	0.57	0.57	0.56	0.80	0.65	0.55	0.60	0.76
Elevation of Pipe Bottom (m)	624.98	624.52	624.73	624.93	625.12	625.44	625.80	626.15	626.49	626.83	627.19	627.61	627.83	628.51	629.32	630.01	631.25
Cumulative Distance (m)	00	23.67	39.14	53.41	67.68	81.88	96.47	111.17	125.91	140.44	155.17	172.98	193.03	214.94	238.12	263.51	316.19



Ground Level (m)	632.08	631.73	631.63	631.72	631.39	629.94	628.95	628.10	627.11	625.99	624.87
Earth Covering Depth (m)	0.76	1.12	0.68	0.60	0.60	0.60	0.60	0.57	0.57	0.60	0.43
Elevation of Pipe Bottom (m)	631.32	630.61	630.95	631.12	630.79	629.34	628.35	627.53	626.54	625.39	624.44
Cumulative Distance (m)	316.19	339.79	358.57	392.25	436.19	483.97	544.41	512.12	565.63	593.97	625.29

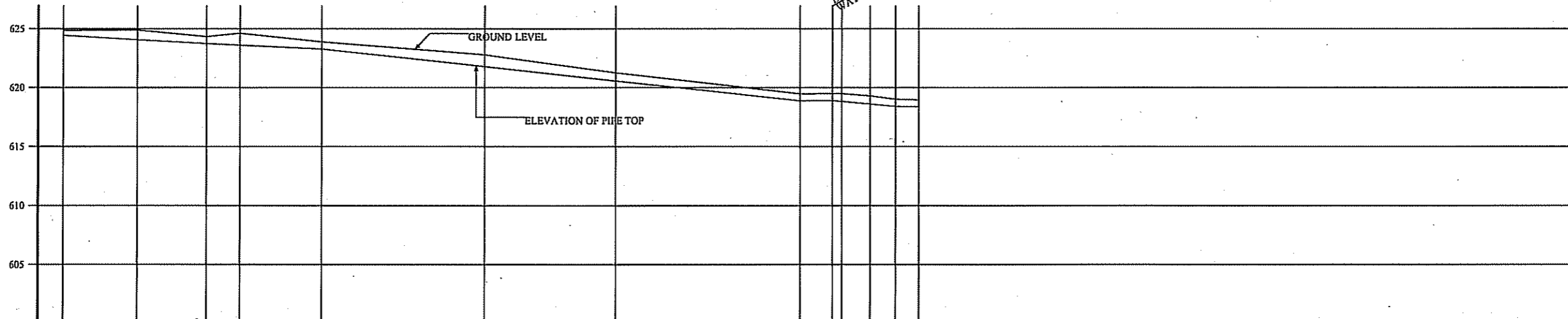
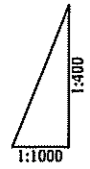
OWNER:
THE MINISTRY OF WATER AND IRRIGATION
THE REPUBLIC OF KENYA

PROJECT NAME:
THE PROJECT FOR
RURAL WATER SUPPLY

CONSULTING ENGINEERS:
 NIPPON KOEI CO., LTD.

TITLE:
REHABILITATION OF MORA SPRING WATER SUPPLY FACILITY
PROFILE OF TRANSMISSION AND DISTRIBUTION PIPELINE(17/40)

SCALE H = 1:1000 V = 1:400	DATE FEB.2006	DRAWING NO. WSF-030
----------------------------------	------------------	------------------------



Ground Level (m)	624.87	624.90	624.54	624.62	624.90	622.79	621.26	619.48	619.59	619.50	619.30	619.02	618.87
Earth Covering Depth (m)	0.43	0.83	0.68	1.01	0.60	1.00	0.69	0.60	0.69	0.67	0.69	0.60	0.60
Elevation of Pipe Bottom (m)	624.37	624.01	623.86	623.55	624.30	621.73	620.52	618.82	618.84	618.76	618.55	618.35	618.31
Cumulative Distance (m)	626.59	642.54	657.37	664.56	682.24	712.35	745.54	785.315	792.315	794.315	800.315	806.715	810.715

OWNER:
THE MINISTRY OF WATER AND IRRIGATION
THE REPUBLIC OF KENYA

PROJECT NAME:
THE PROJECT FOR
RURAL WATER SUPPLY

CONSULTING ENGINEERS:
 NIPPON KOEI CO.,LTD.

TITLE:
REHABILITATION OF MORA SPRING WATER SUPPLY FACILITY
PROFILE OF TRANSMISSION AND DISTRIBUTION PIPELINE(18/40)

SCALE H = 1:1000 V = 1:400	DATE FEB.2006	DRAWING NO. WSF-031
----------------------------------	------------------	------------------------