

LEGEND

- EXISTING TREE
- CONTOURS: V.I=0.5
- STORM WATER DRAIN
- CHAIN LINK FENCE
- EXISTING STRUCTURES
- PROPOSED STRUCTURES
- SLUICE VALVE
- BALL FLOAT VALVE
- FLOW METER
- EXISTING PIPELINE
- PROPOSED PIPELINE
- FLOW DIRECTION
- FINISHED GROUND LEVEL
- CUT SLOPE (Gradient 1:0.5)

STEPS
250x250mm

PRECAST CONCRETE COVER
SIZE 1.2m x 0.6m x 0.15m

4m WIDE GATE

NOTE: PIPES SHALL TEMPORARILY BE RELOCATED FOR CONSTRUCTION. AFTER COMPLETION OF THE FACILITY, EXISTING STORAGE TANK SHALL BE DEMOLISHED

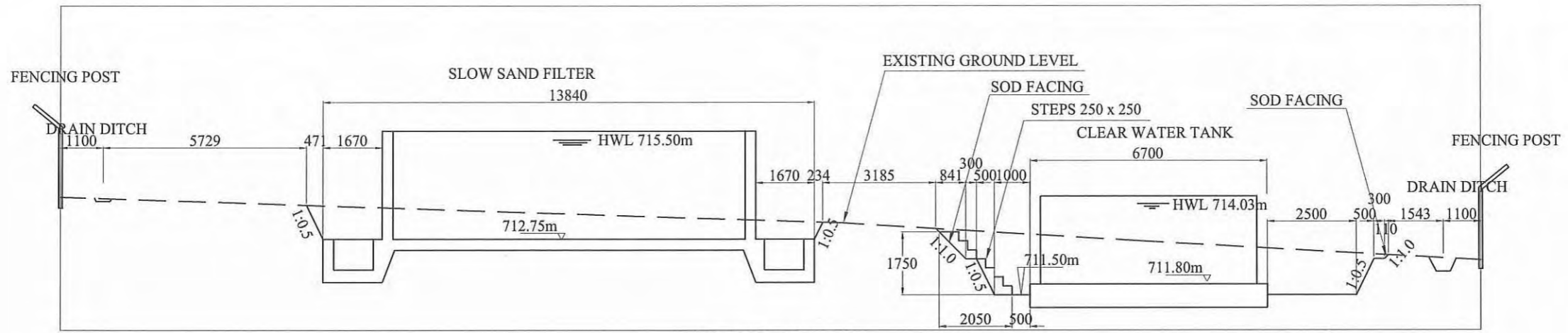
OWNER:
**THE MINISTRY OF WATER AND IRRIGATION
THE REPUBLIC OF KENYA**

PROJECT NAME:
**THE PROJECT FOR
RURAL WATER SUPPLY**

CONSULTING ENGINEERS:
 NIPPON KOEI CO.,LTD.

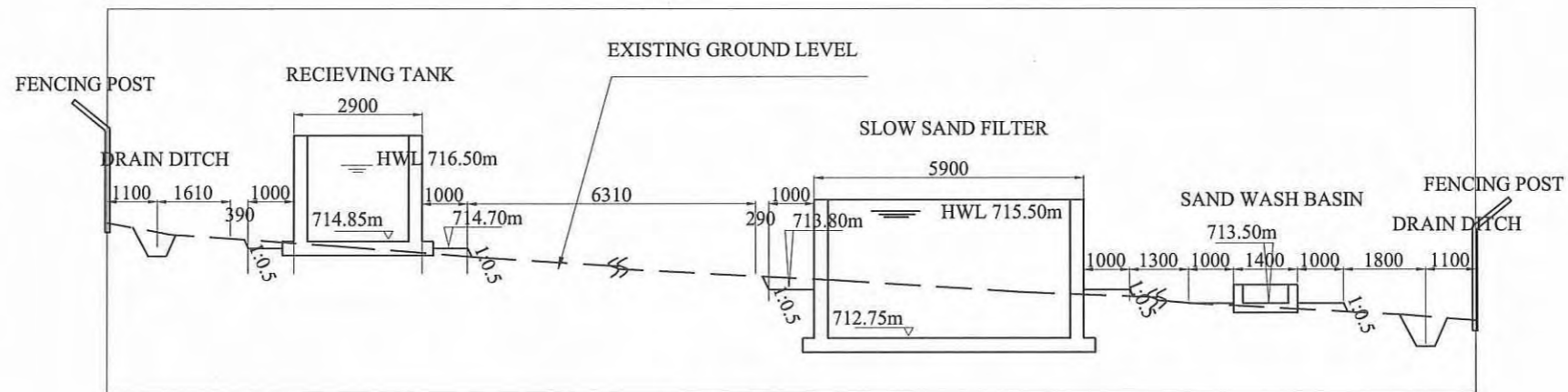
TITLE:
**REHABILITATION OF MORA SPRING WATER SUPPLY FACILITY
LAYOUT PLAN OF WATER TREATMENT PLANT**

SCALE 1:150	DATE FEB.2006	DRAWING NO. WSF-058
----------------	------------------	------------------------



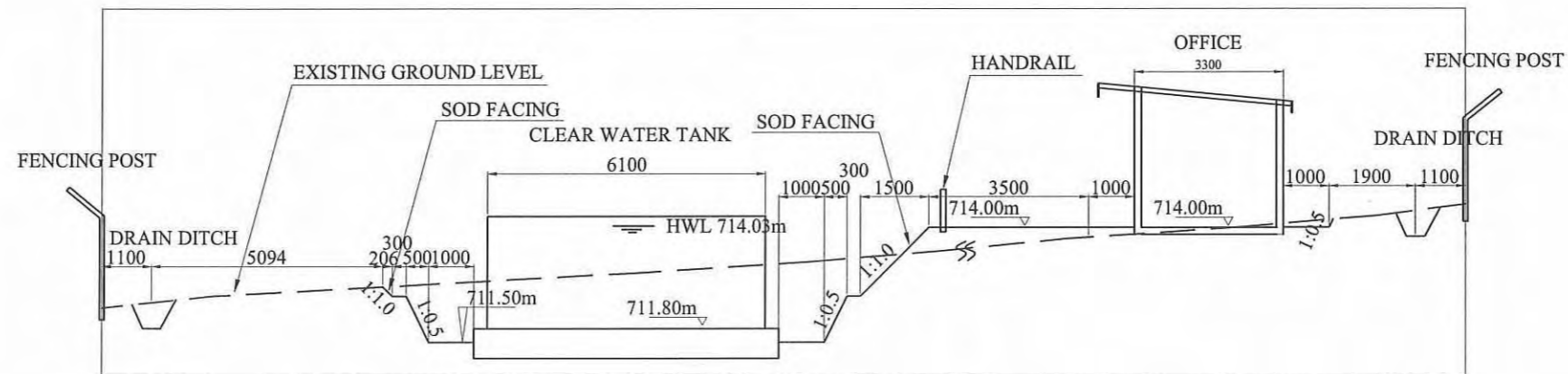
SECTION A-A

(See DRAWING No.WSF - 058)



SECTION B-B

(See DRAWING No.WSF - 058)



SECTION C-C

(See DRAWING No.WSF - 058)

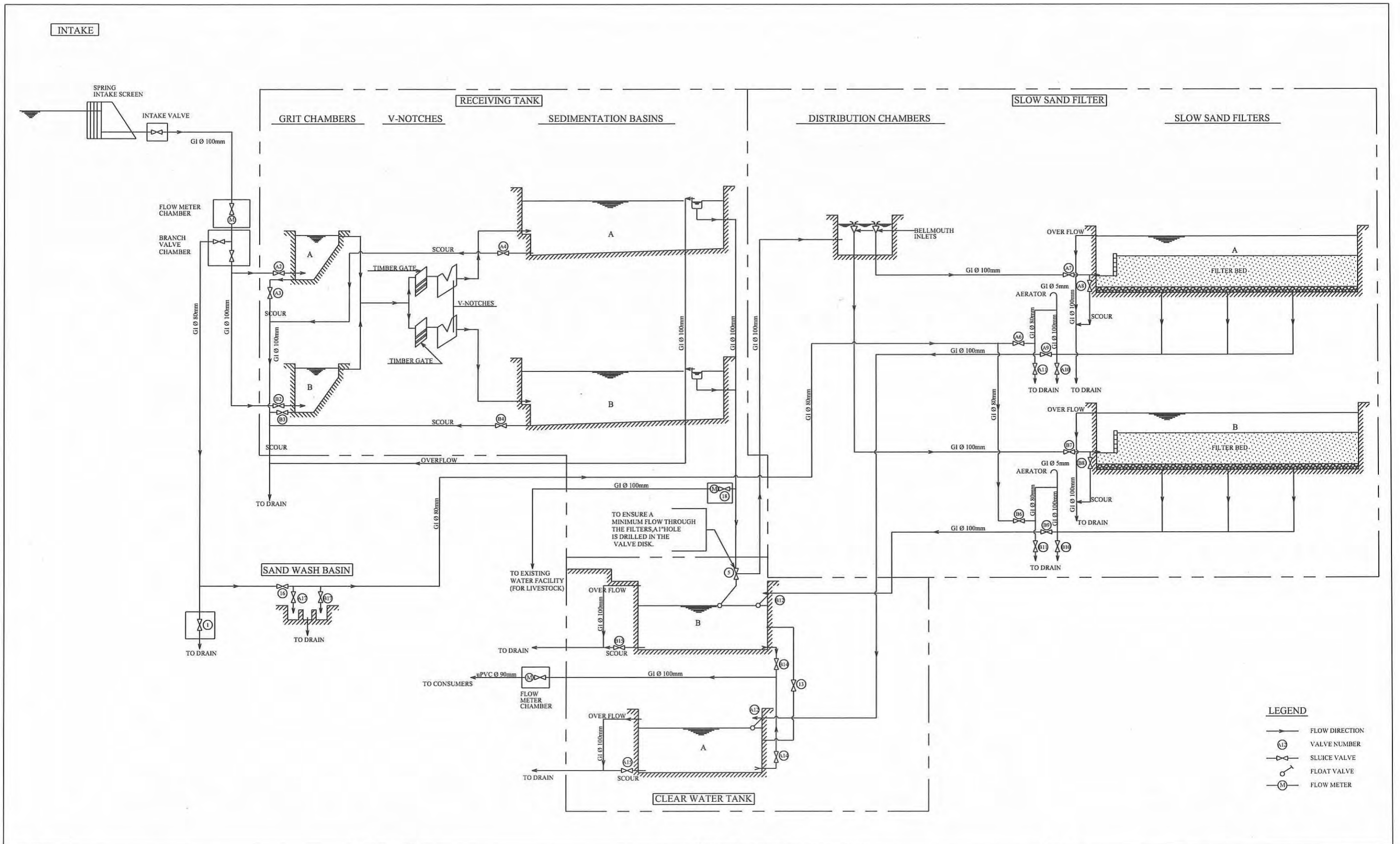
OWNER:
THE MINISTRY OF WATER AND IRRIGATION
THE REPUBLIC OF KENYA

PROJECT NAME:
THE PROJECT FOR
RURAL WATER SUPPLY

CONSULTING ENGINEERS:
 **NIPPON KOEI CO.,LTD.**

TITLE:
REHABILITATION OF MORA SPRING WATER SUPPLY FACILITY
CROSS SECTIONAL VIEW OF WATER TREATMENT PLANT

SCALE 1:150	DATE FEB.2006	DRAWING NO. WSF-059
----------------	------------------	------------------------



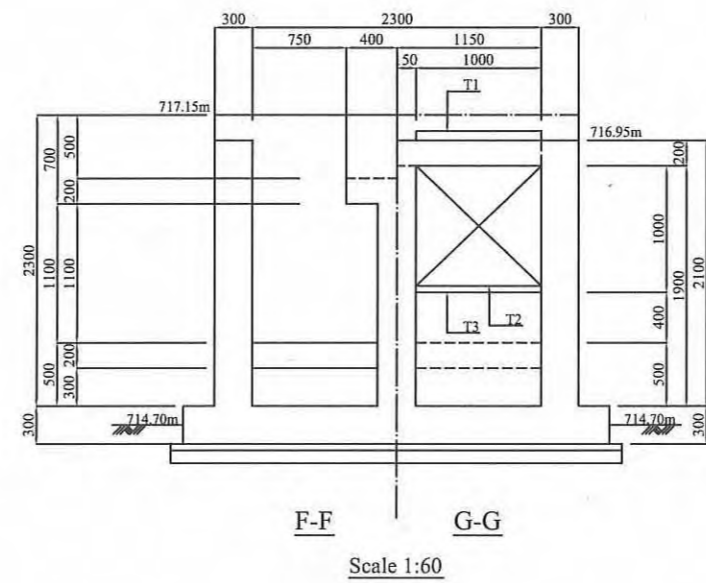
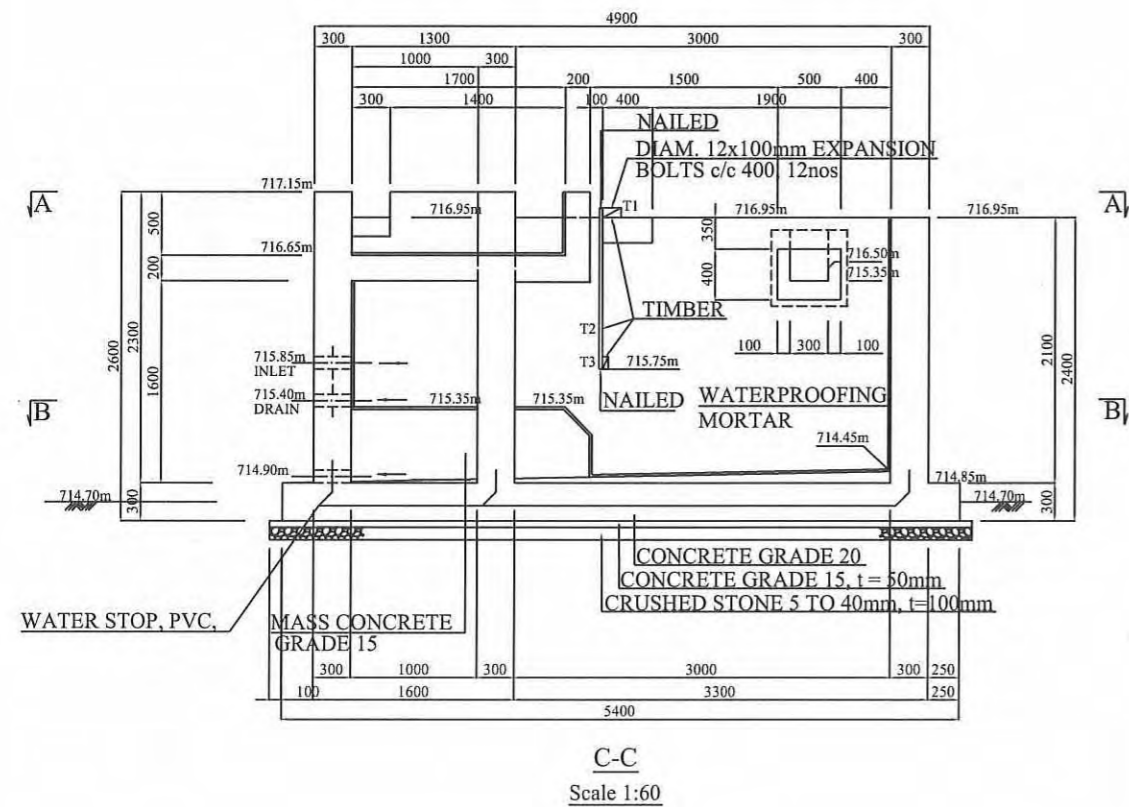
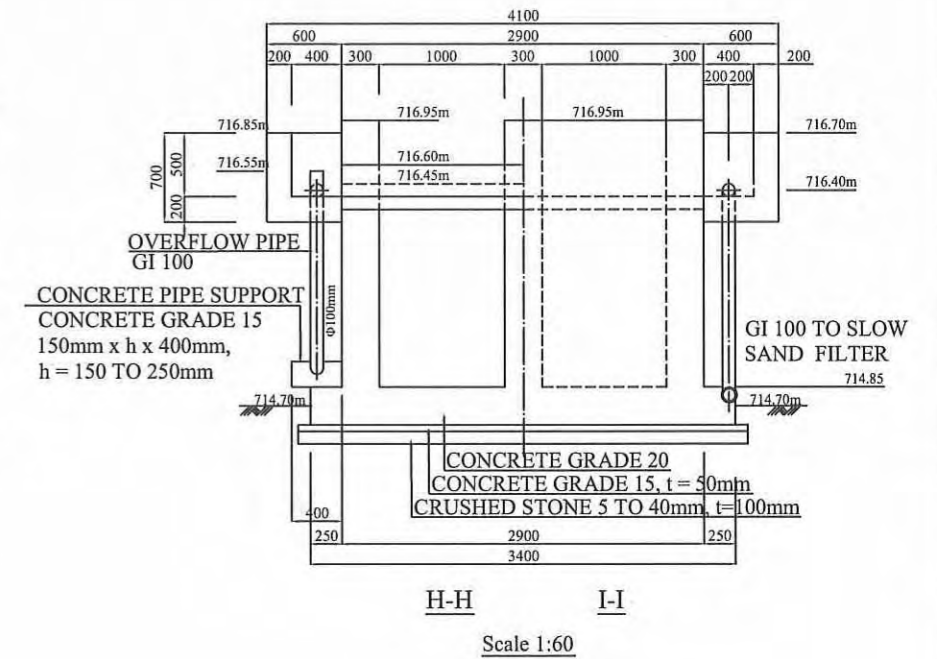
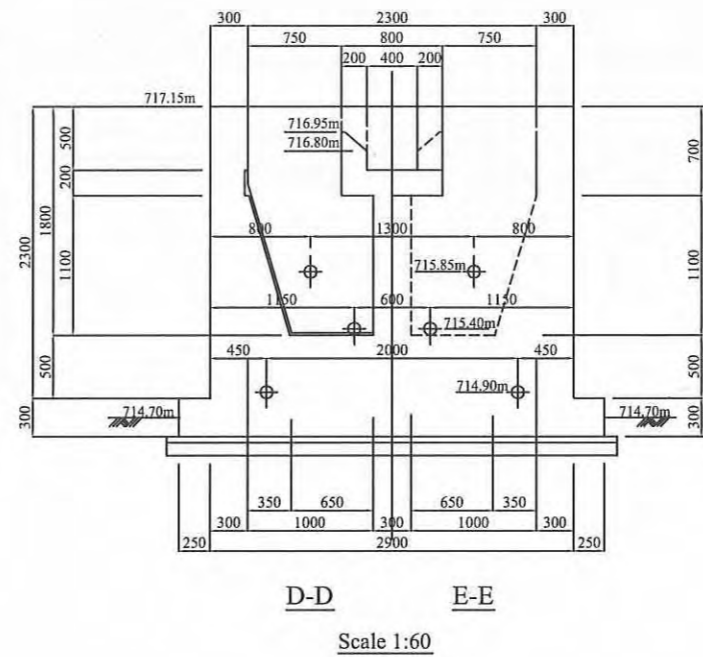
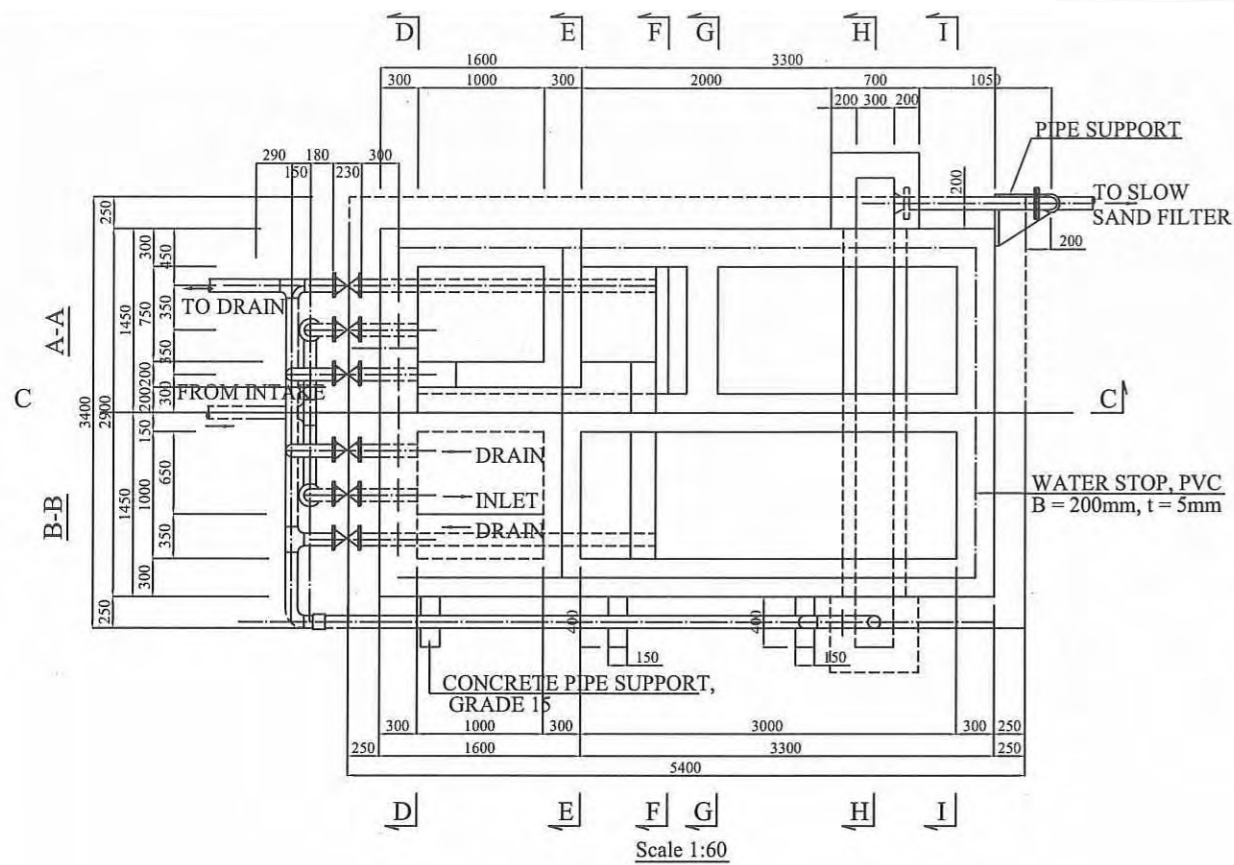
OWNER:
THE MINISTRY OF WATER AND IRRIGATION
THE REPUBLIC OF KENYA

PROJECT NAME:
THE PROJECT FOR
RURAL WATER SUPPLY

CONSULTING ENGINEERS:
 **NIPPON KOEI CO.,LTD.**

TITLE:
REHABILITATION OF MORA SPRING WATER SUPPLY FACILITY
FLOW CHART OF WATER TREATMENT PLANT

SCALE	DATE	DRAWING NO.
NONE	FEB.2006	WSF-060



NOTES: : ALL INTERNAL SURFACES OF THE STRUCTURE IN CONTACT WITH WATER SHALL BE LINED WITH 30mm THICK WATER PROOFING MORTAR

TIMBER
 T1: 150x75 - 2300mm
 T2: 200x25 - 1275mm
 T3: 100x50 - 1000mm

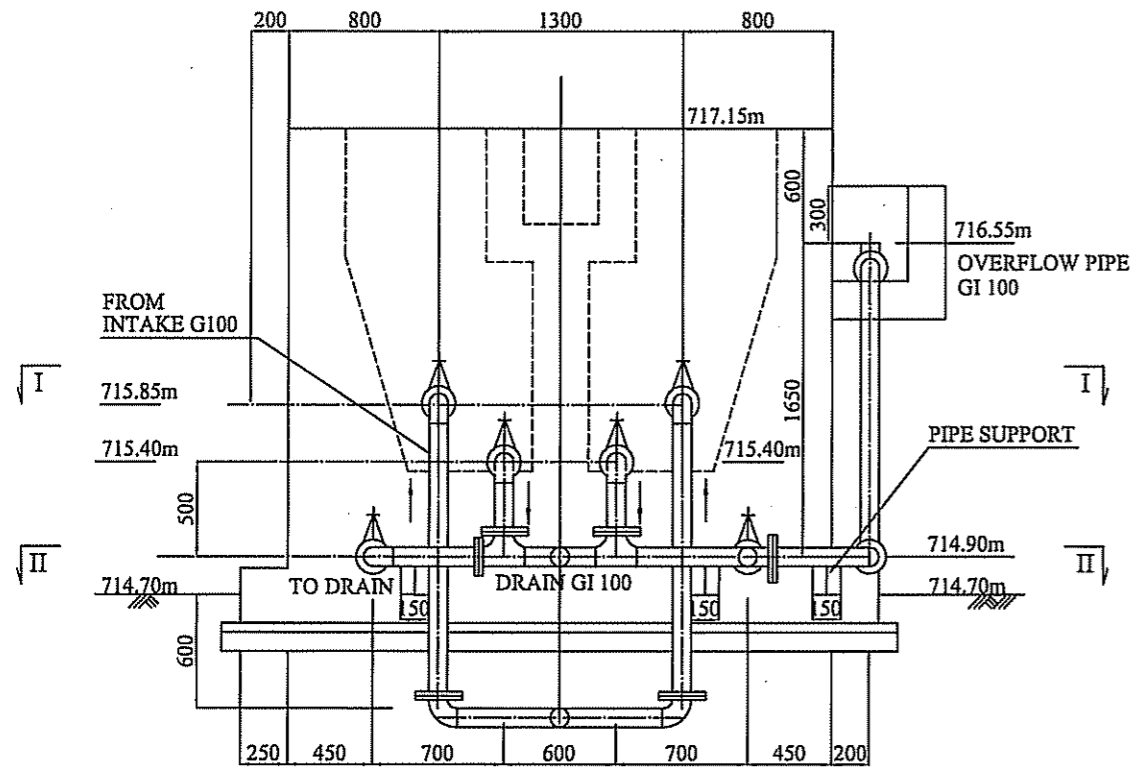
OWNER:
 THE MINISTRY OF WATER AND IRRIGATION
 THE REPUBLIC OF KENYA

PROJECT NAME:
 THE PROJECT FOR
 RURAL WATER SUPPLY

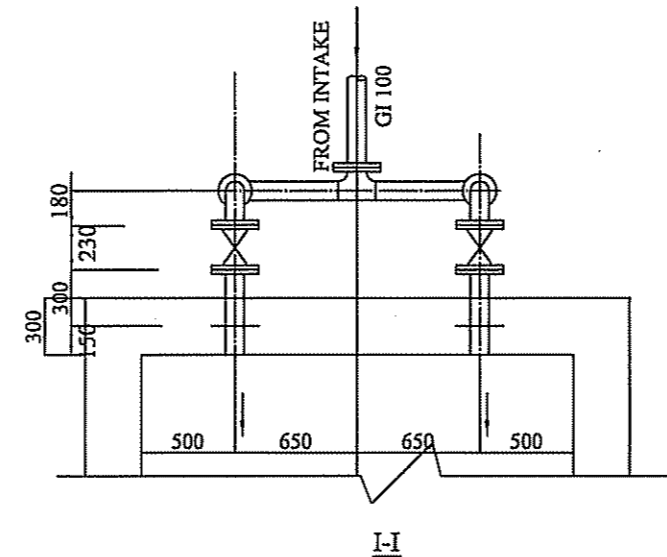
CONSULTING ENGINEERS:
 **NIPPON KOEI CO.,LTD.**

TITLE:
 REHABILITATION OF MORA WATER SUPPLY FACILITY
 RECEIVING TANK DETAILS (1/3)

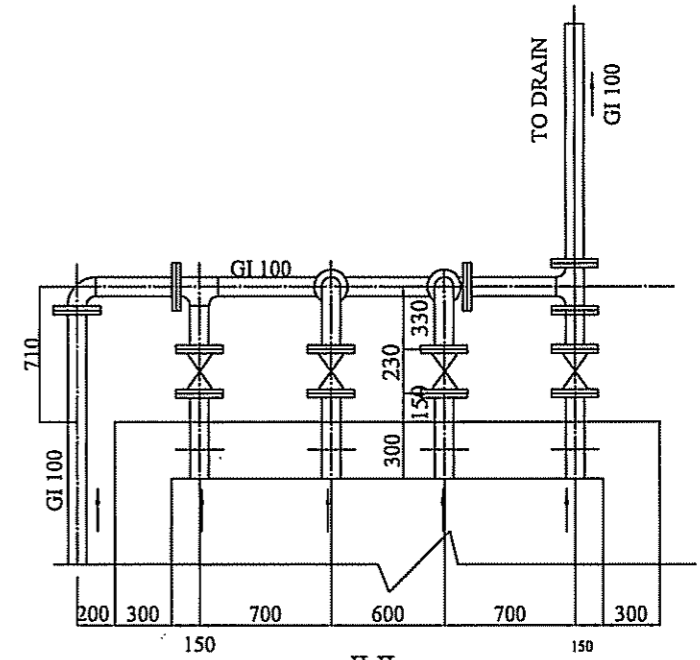
SCALE	DATE	DRAWING NO.
1:60	FEB.2006	WSF-061



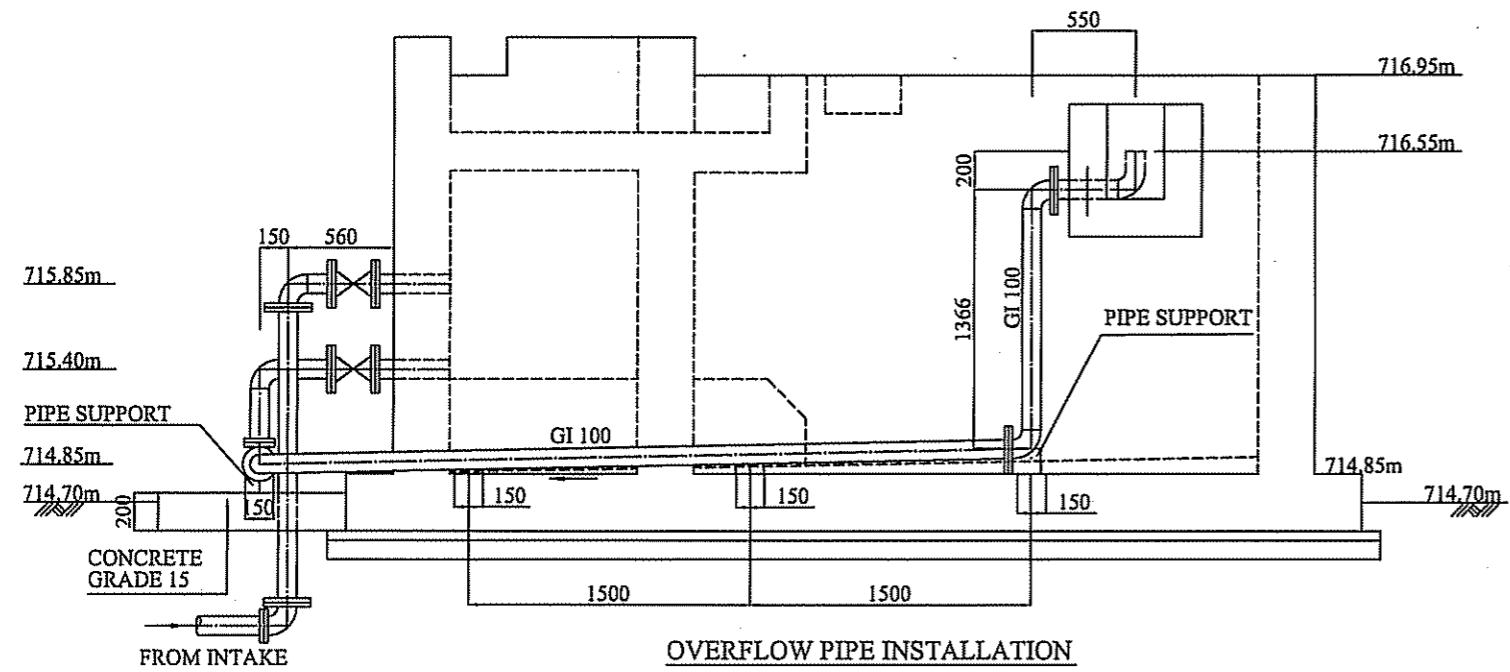
Scale 1:40



I-I
Scale 1:40

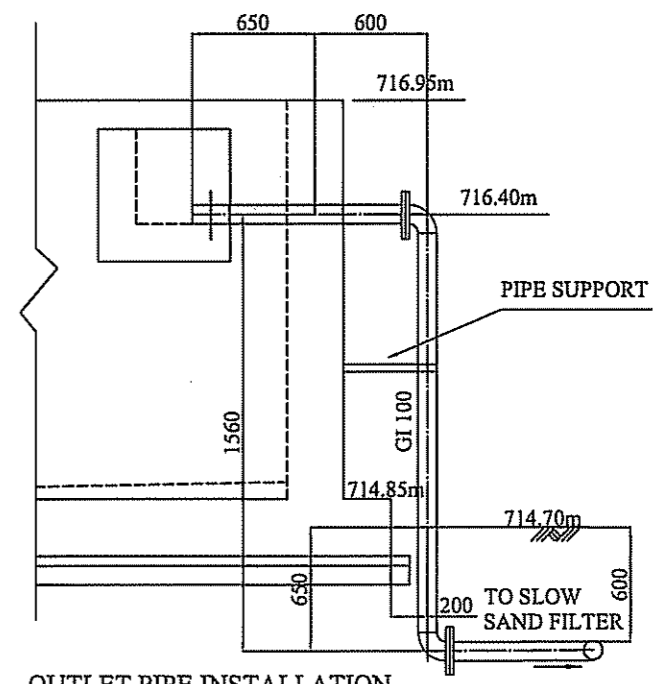


II-II
Scale 1:40



OVERFLOW PIPE INSTALLATION

Scale 1:40



OUTLET PIPE INSTALLATION

Scale 1:40

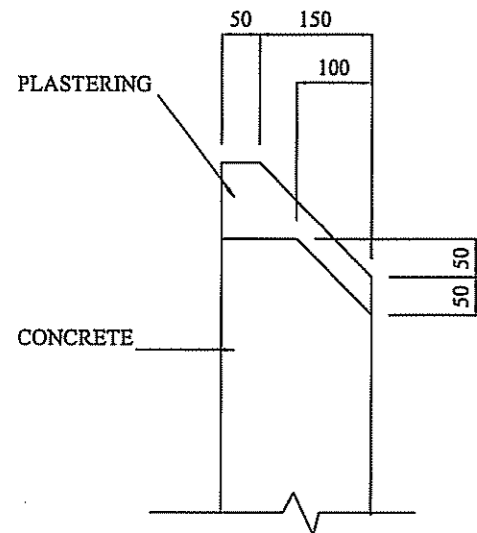
OWNER:
THE MINISTRY OF WATER AND IRRIGATION
THE REPUBLIC OF KENYA

PROJECT NAME:
THE PROJECT FOR
RURAL WATER SUPPLY

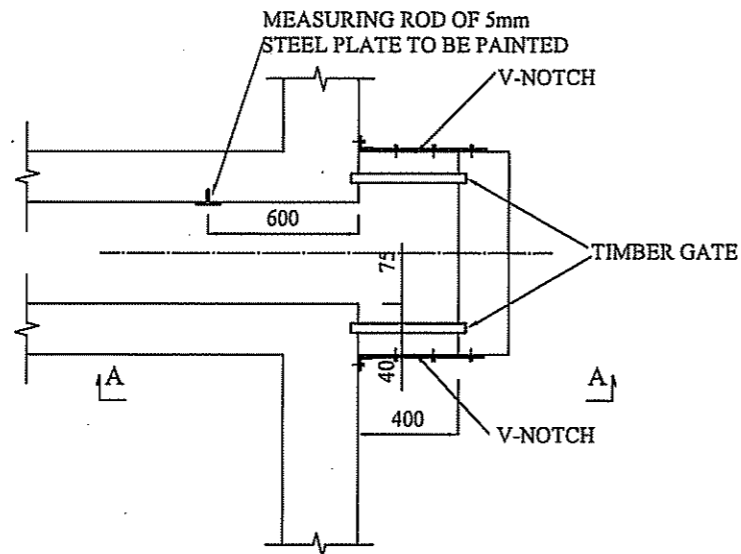
CONSULTING ENGINEERS:
 NIPPON KOEI CO., LTD.

TITLE:
REHABILITATION OF MORA SPRING WATER SUPPLY FACILITY
RECIEVING TANK DETAILS (2/3)

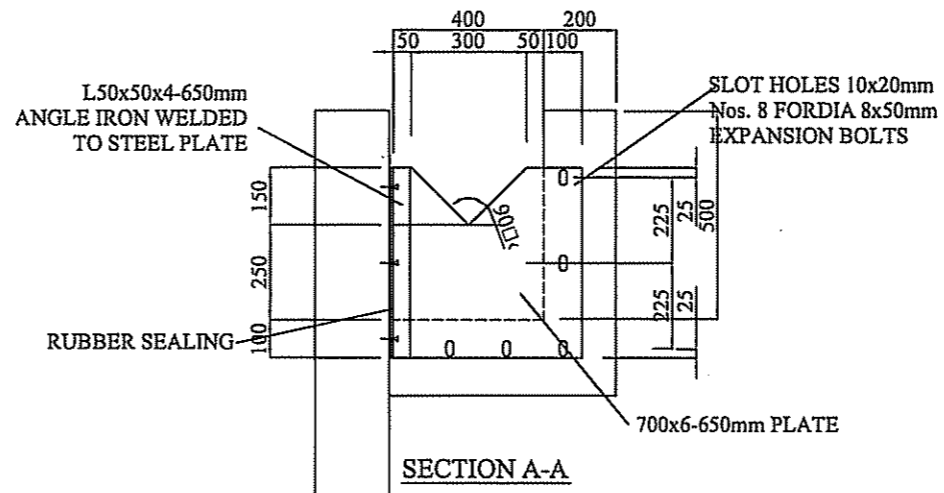
SCALE 1:40	DATE FEB.2006	DRAWING NO. WSF-062
---------------	------------------	------------------------



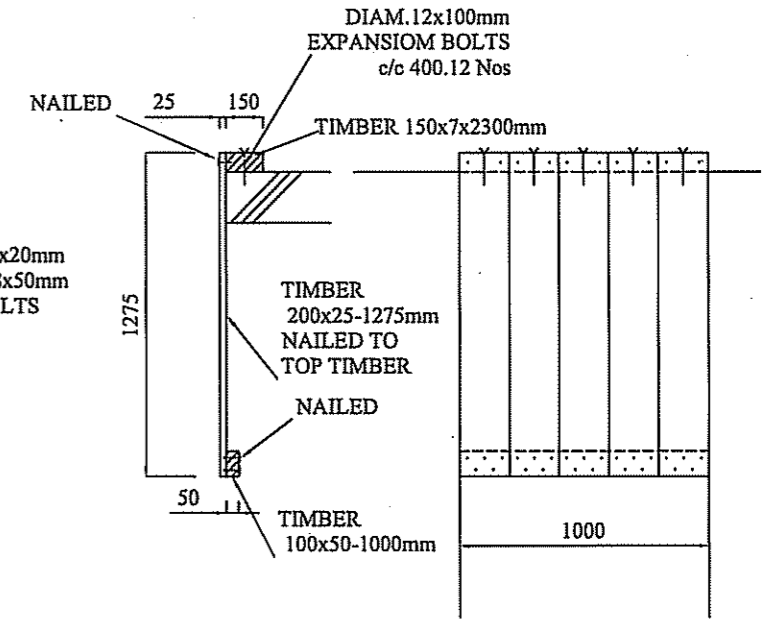
OVERFLOW WEIR
SCALE 1:10



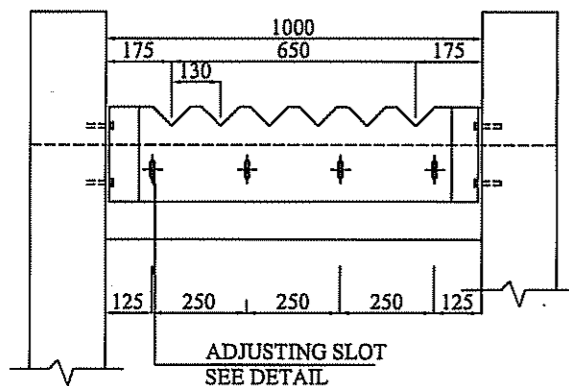
V-NOTCHES AND TIMBER GATE
SCALE 1:30



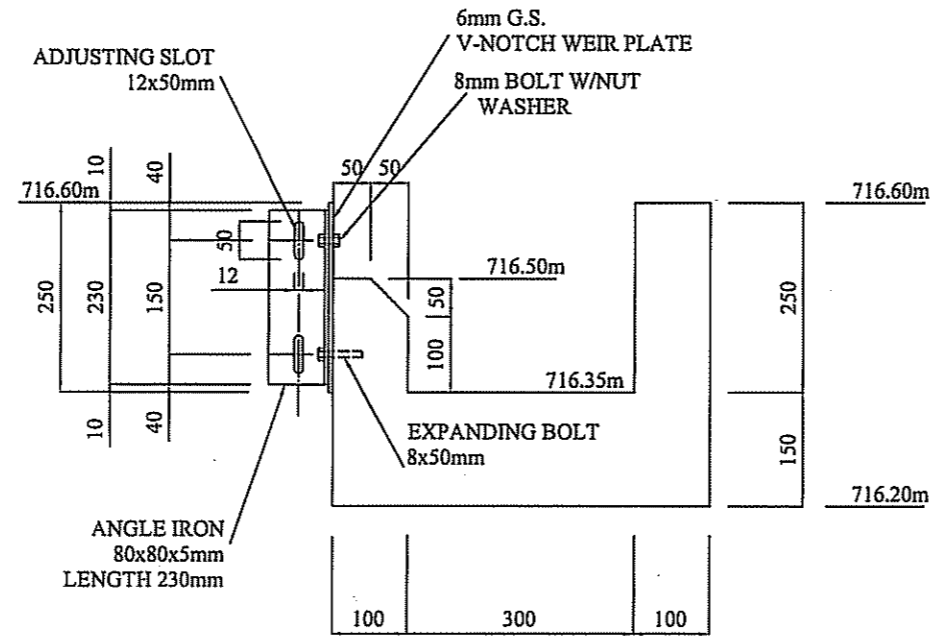
SECTION A-A
SCALE 1:20



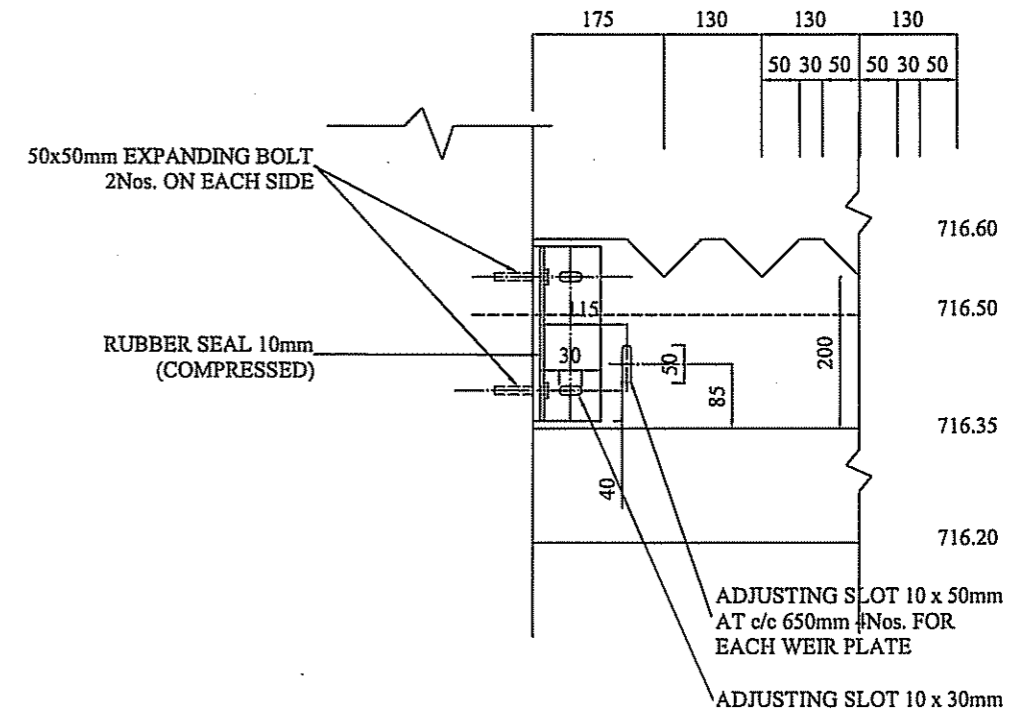
DETAIL 1
SCALE 1:30



V-NOTCH WEIR PLATE
SCALE 1:20



SECTION B-B
SCALE 1:10



DETAIL OF WEIR PLATE AND V-NOTCHES
SCALE 1:10

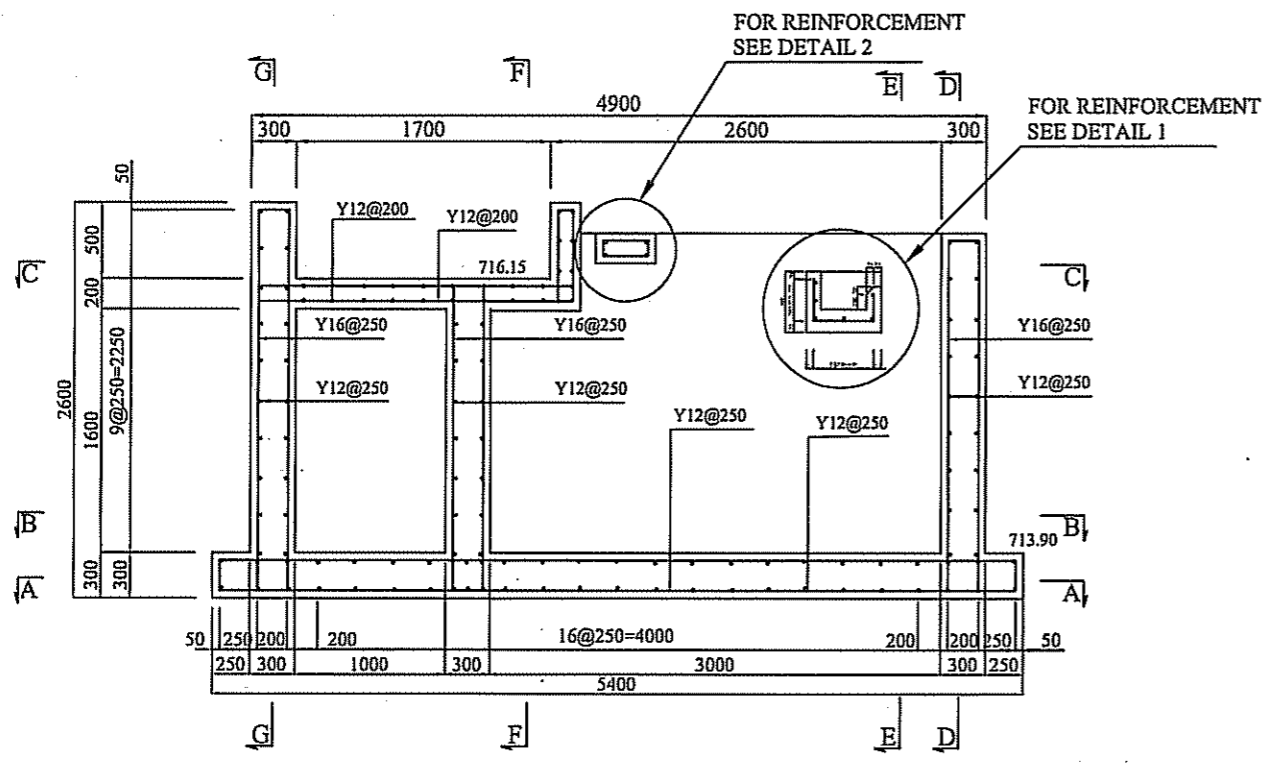
OWNER:
**THE MINISTRY OF WATER AND IRRIGATION
THE REPUBLIC OF KENYA**

PROJECT NAME:
**THE PROJECT FOR
RURAL WATER SUPPLY**

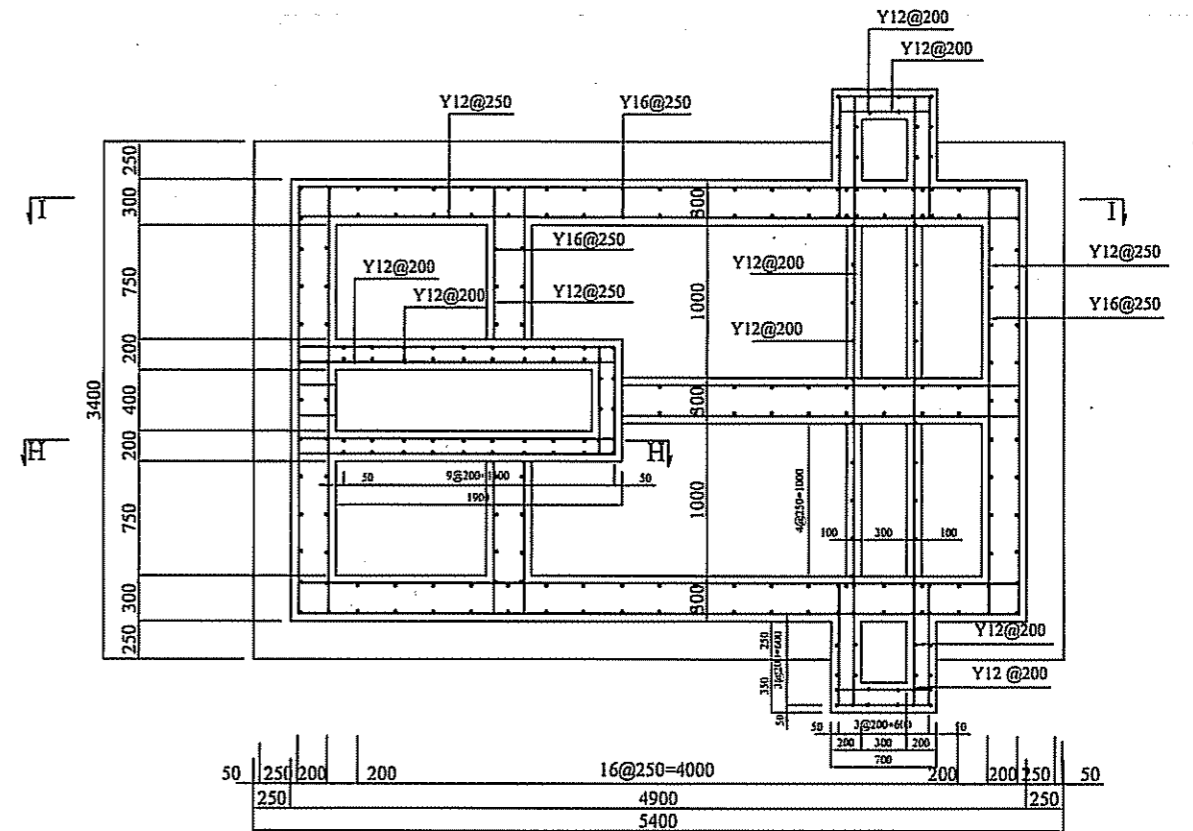
CONSULTING ENGINEERS:
 **NIPPON KOEI CO., LTD.**

TITLE:
**REHABILITATION OF MORA SPRING WATER SUPPLY FACILITY
RECEIVING TANK DETAILS (3/3)**

SCALE 1:30 1:20 1:10	DATE FEB.2006	DRAWING NO. WSF-063
-------------------------------	------------------	------------------------

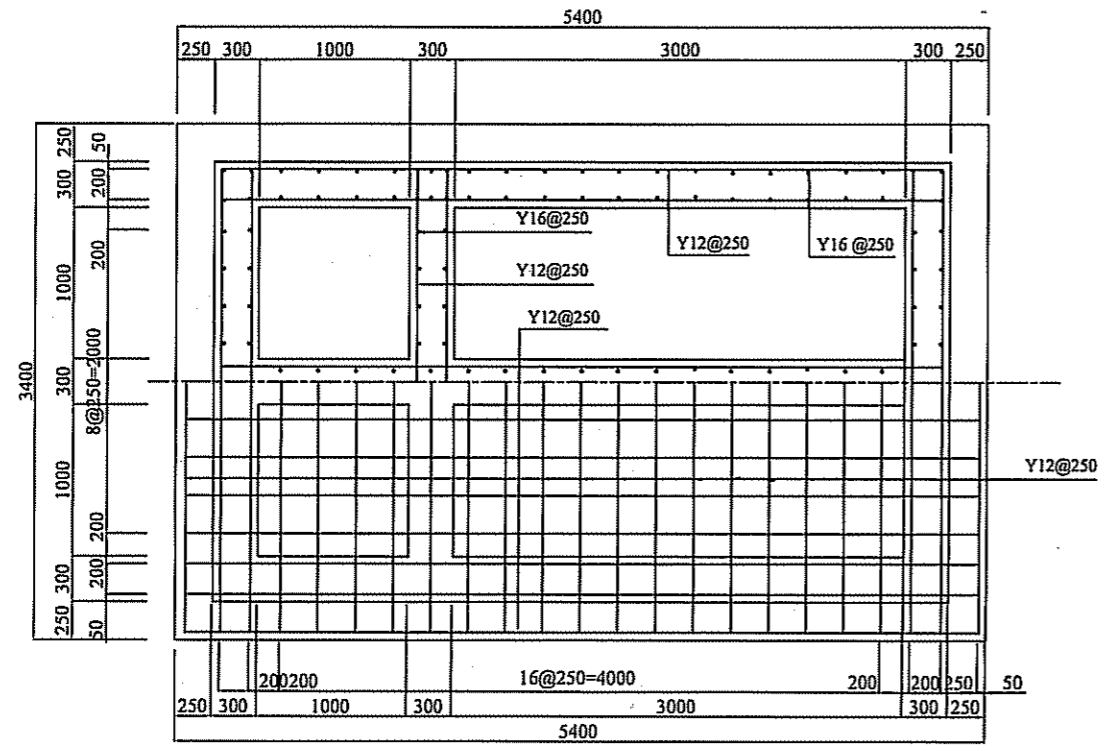


Scale 1:50



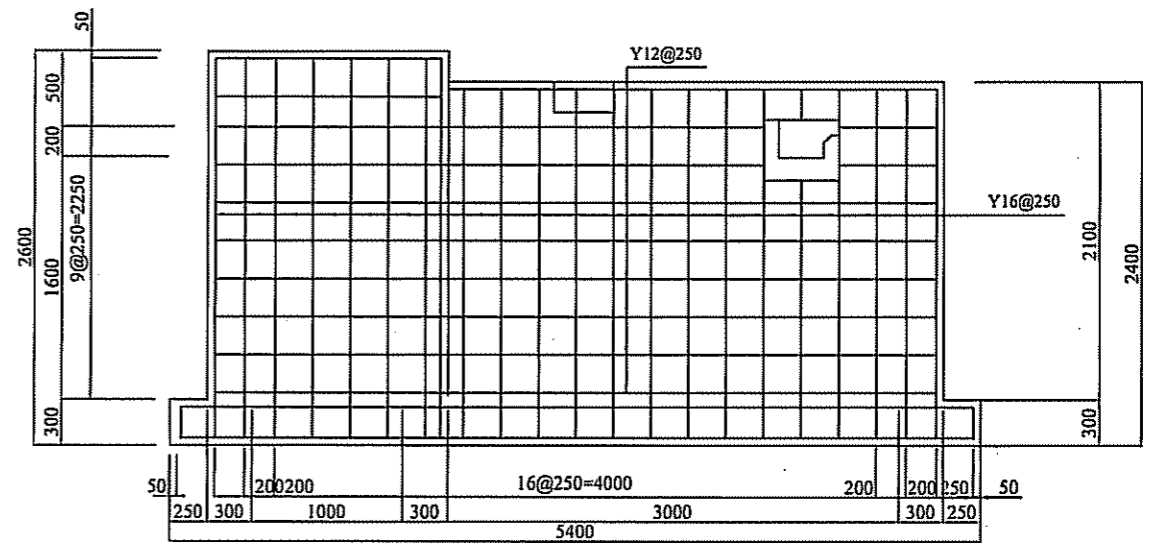
SECTION C-C

Scale 1:50



SECTION A-A & B-B

Scale 1:50



SECTION I-I

Scale 1:50

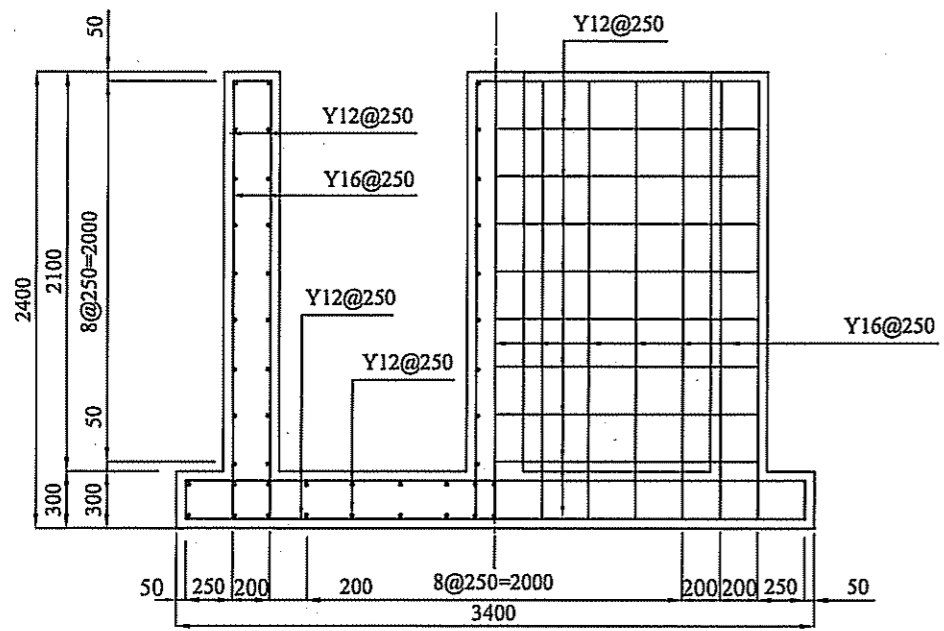
OWNER:
THE MINISTRY OF WATER AND IRRIGATION
THE REPUBLIC OF KENYA

PROJECT NAME:
THE PROJECT FOR
RURAL WATER SUPPLY

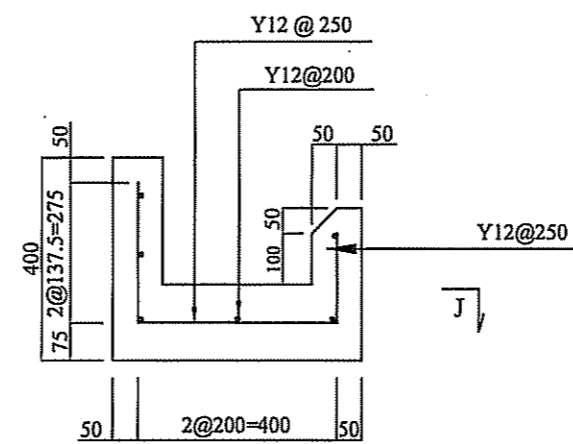
CONSULTING ENGINEERS:
 NIPPON KOEI CO.,LTD.

TITLE:
REHABILITATION OF MORA SPRING WATER SUPPLY FACILITY
REINFORCEMENT BAR ARRANGEMENT OF RECIEVING TANK (1/2)

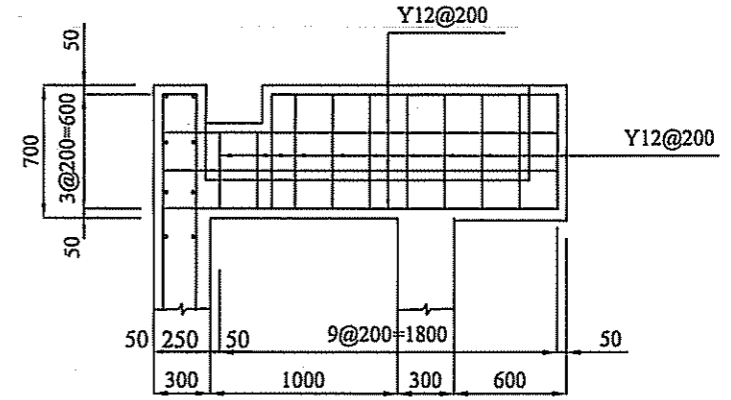
SCALE 1:50	DATE FEB.2006	DRAWING NO. WSF-064
---------------	------------------	------------------------



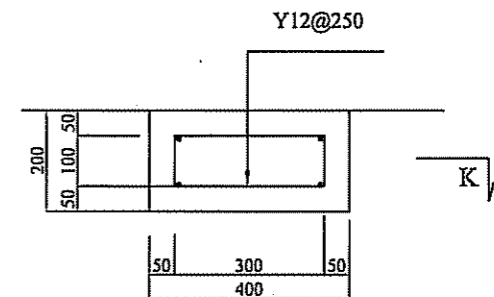
SECTION D-D & E-E
Scale 1:40



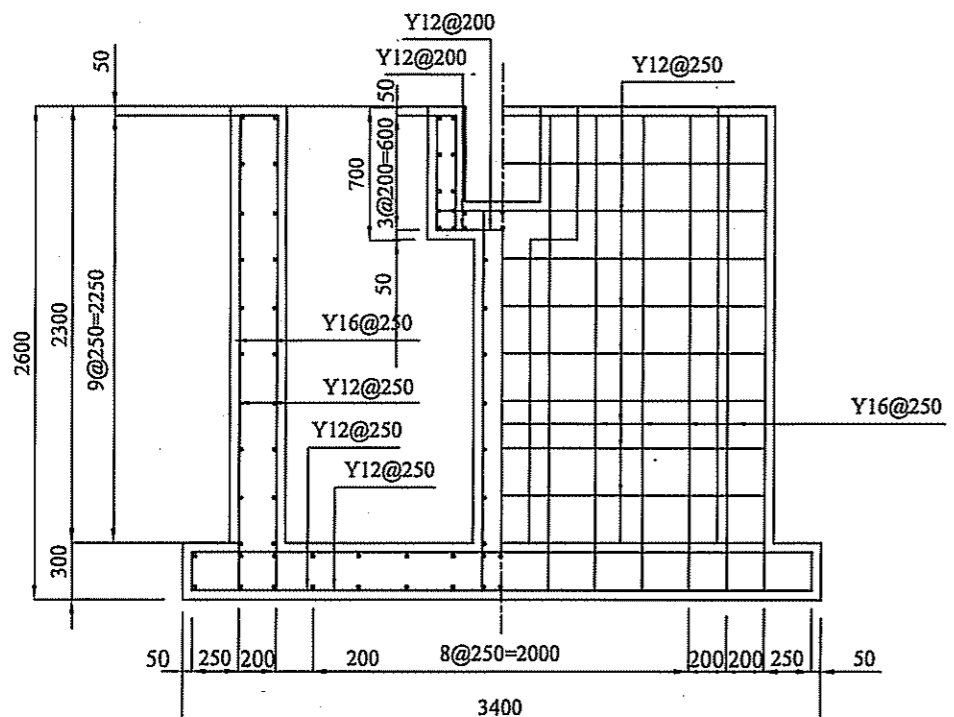
DETAIL 1
Scale 1:15



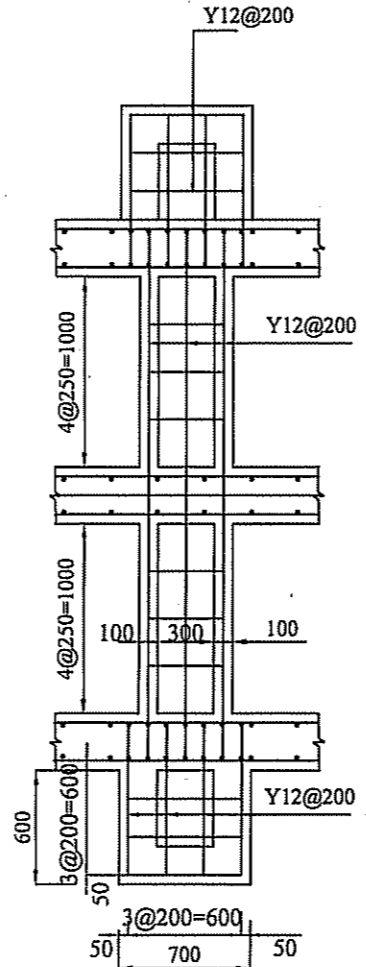
SECTION H-H
Scale 1:40



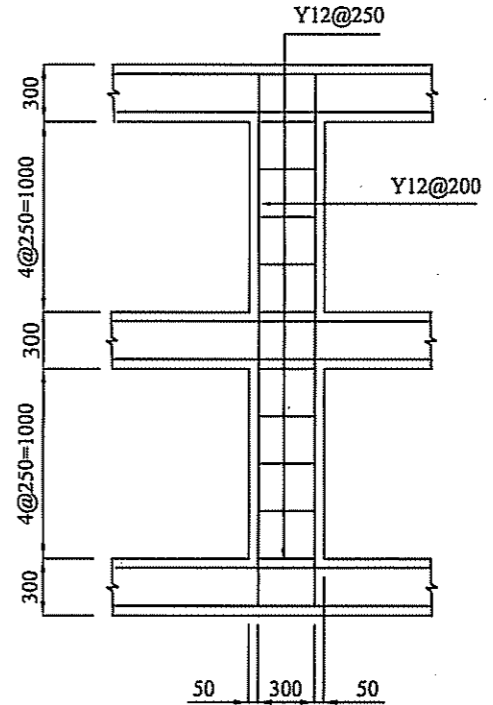
DETAIL 2
Scale 1:20



SECTION F-F & G-G
Scale 1:40



SECTION J-J
Scale 1:40



SECTION K-K
Scale 1:40

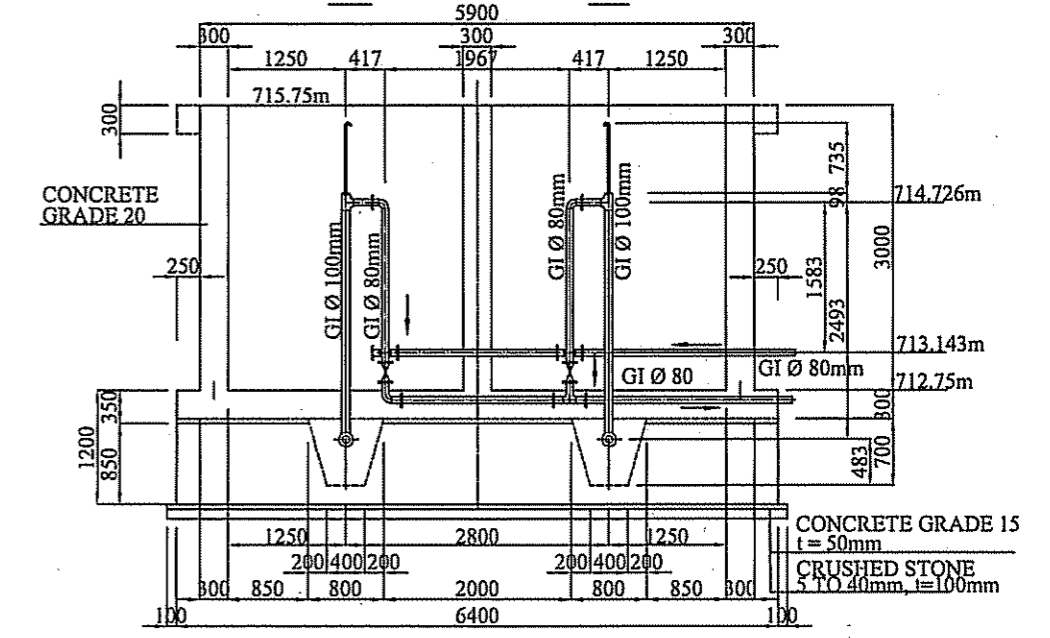
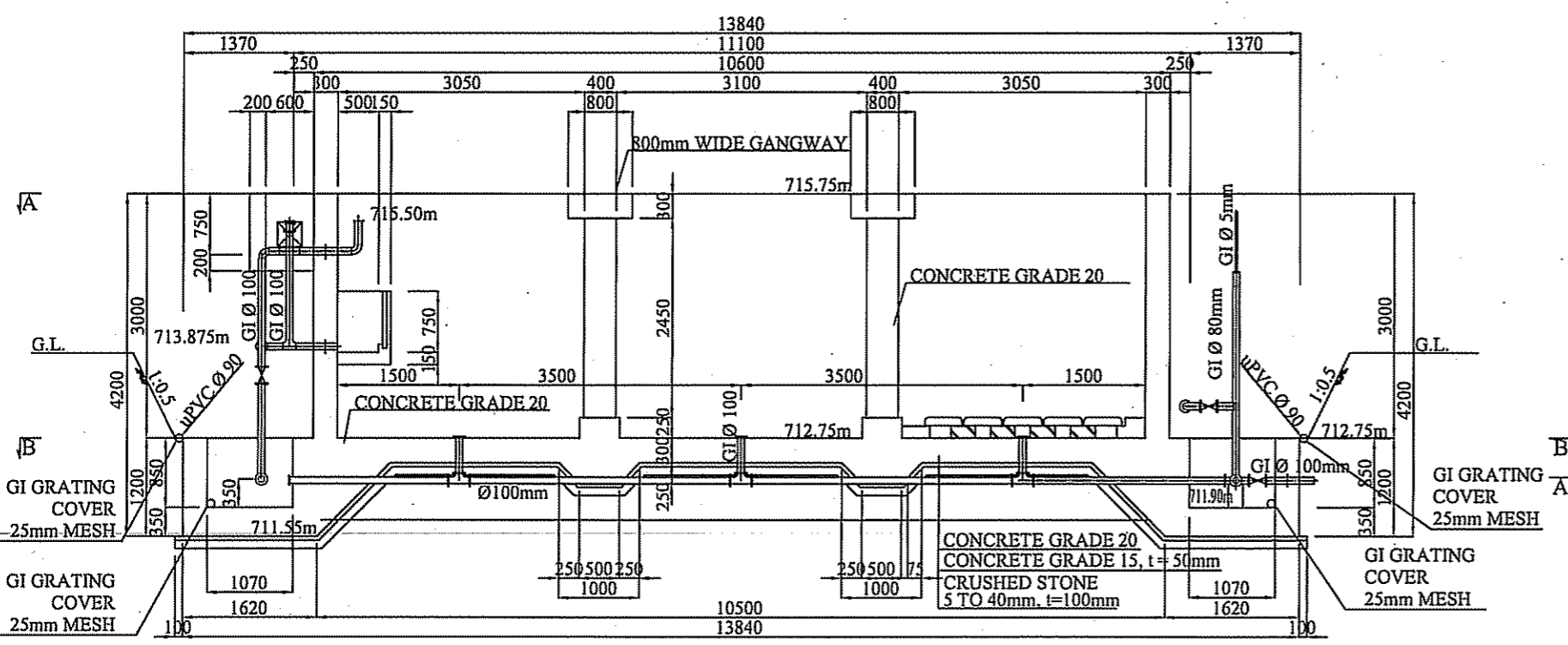
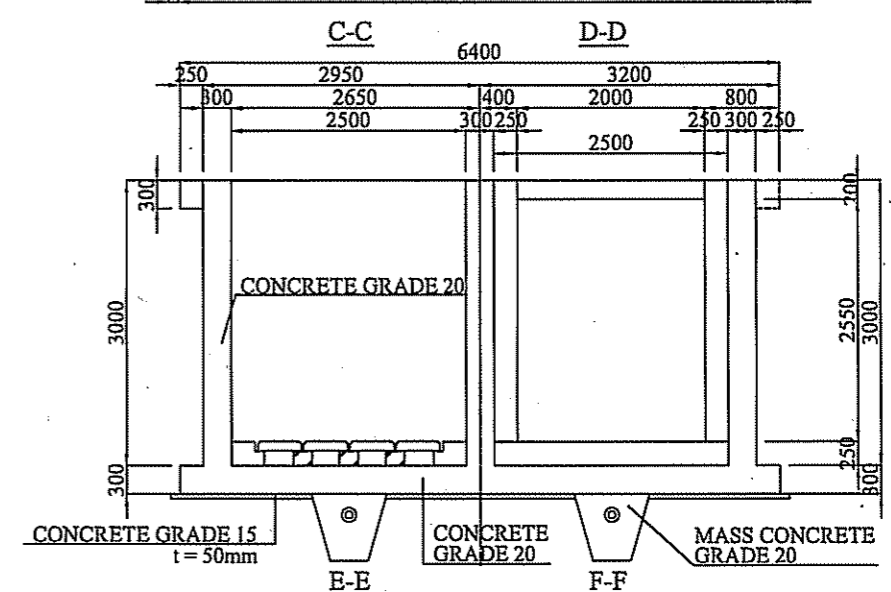
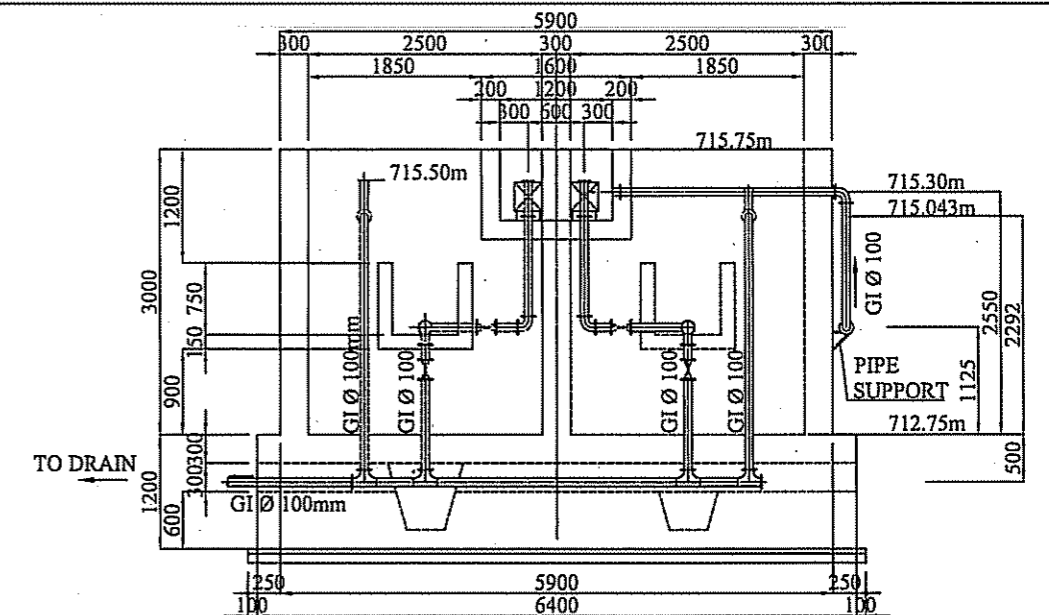
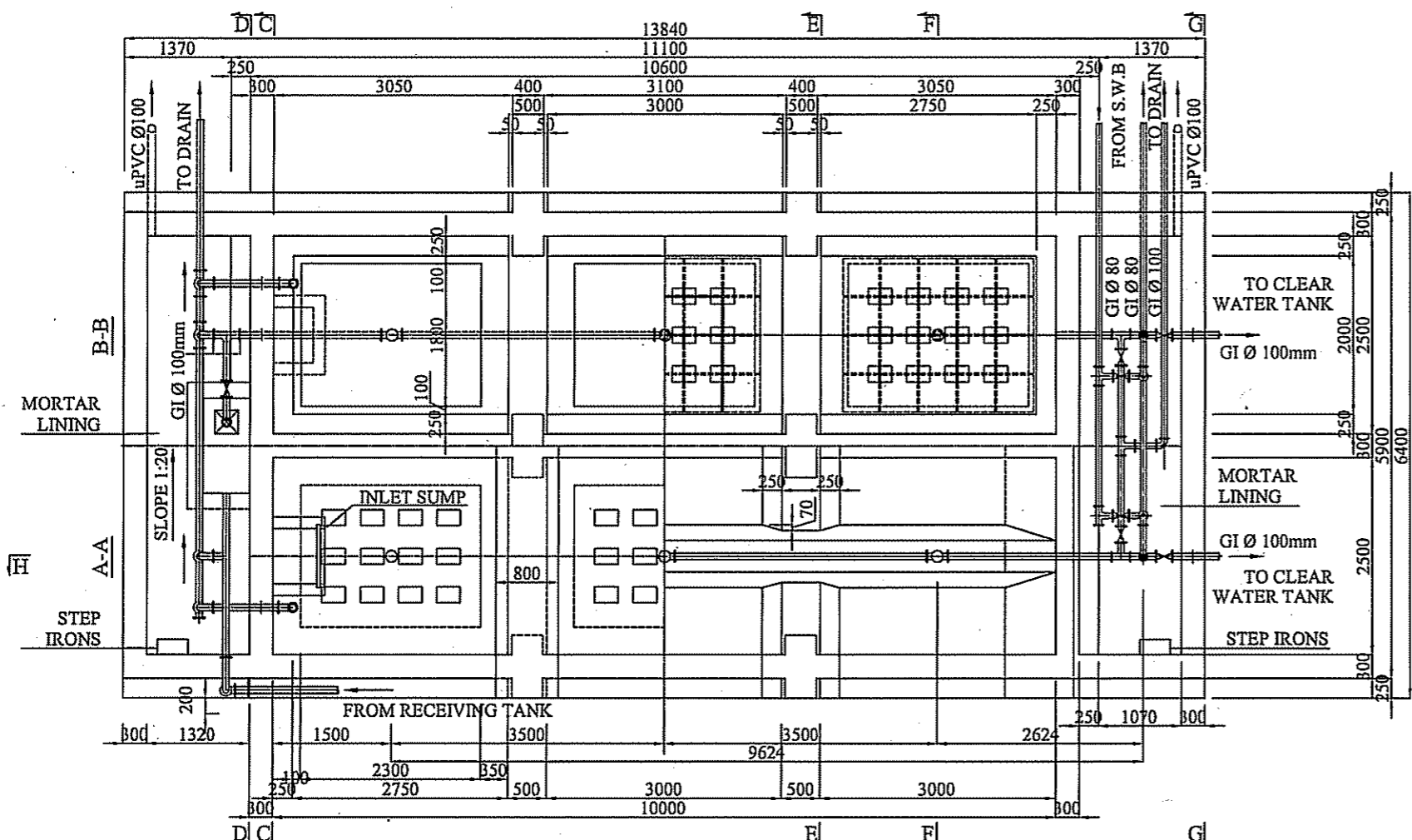
OWNER:
THE MINISTRY OF WATER AND IRRIGATION
THE REPUBLIC OF KENYA

PROJECT NAME:
THE PROJECT FOR
RURAL WATER SUPPLY

CONSULTING ENGINEERS:
 NIPPON KOEI CO.,LTD.

TITLE:
REHABILITATION OF MORA SPRING WATER SUPPLY FACILITY
REINFORCEMENT BAR ARRANGEMENT OF RECIEVING TANK (2/2)

SCALE	DATE	DRAWING NO.
1:15	FEB.2006	WSF-065
1:20		
1:40		



SECTION H-H

SECTION G-G

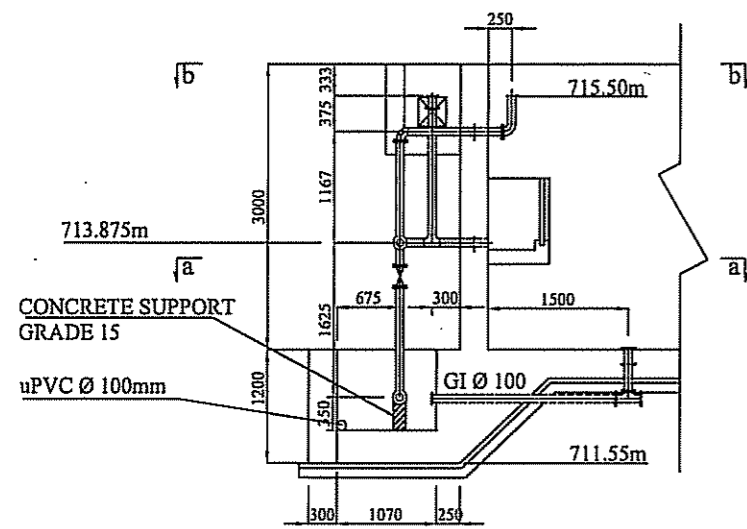
OWNER:
THE MINISTRY OF WATER AND IRRIGATION
THE REPUBLIC OF KENYA

PROJECT NAME:
THE PROJECT FOR
RURAL WATER SUPPLY

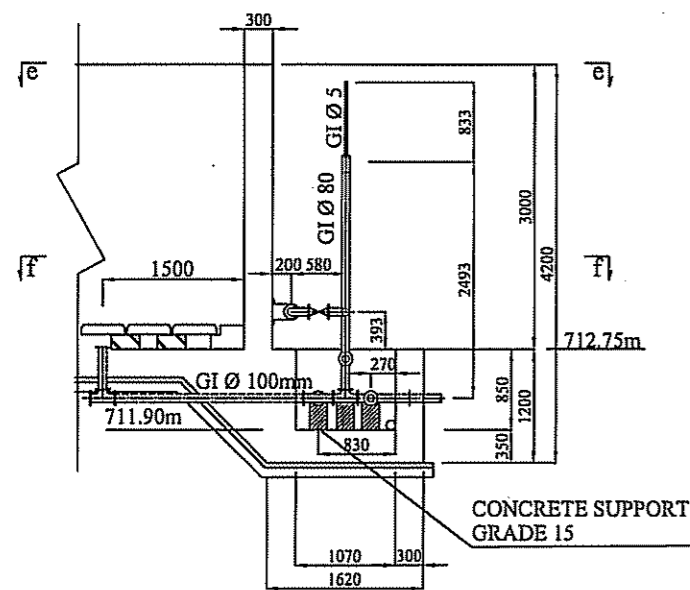
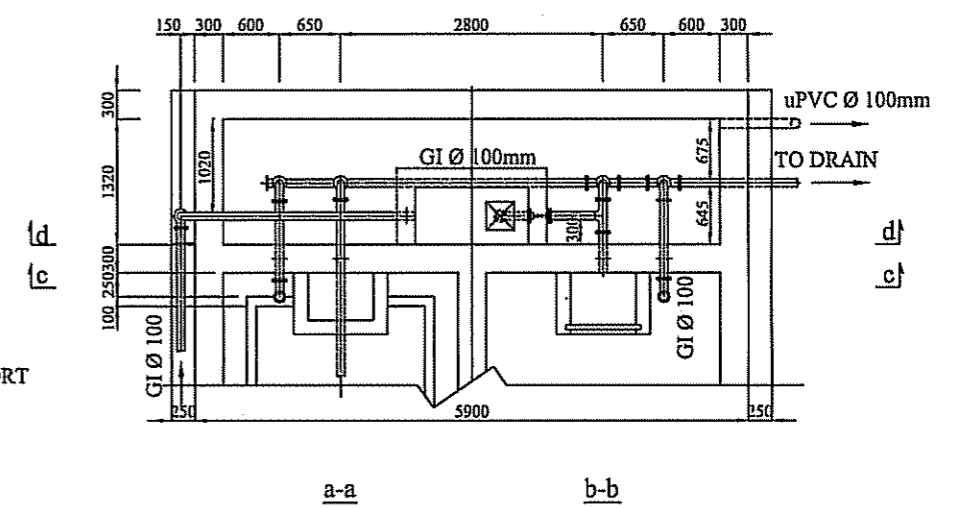
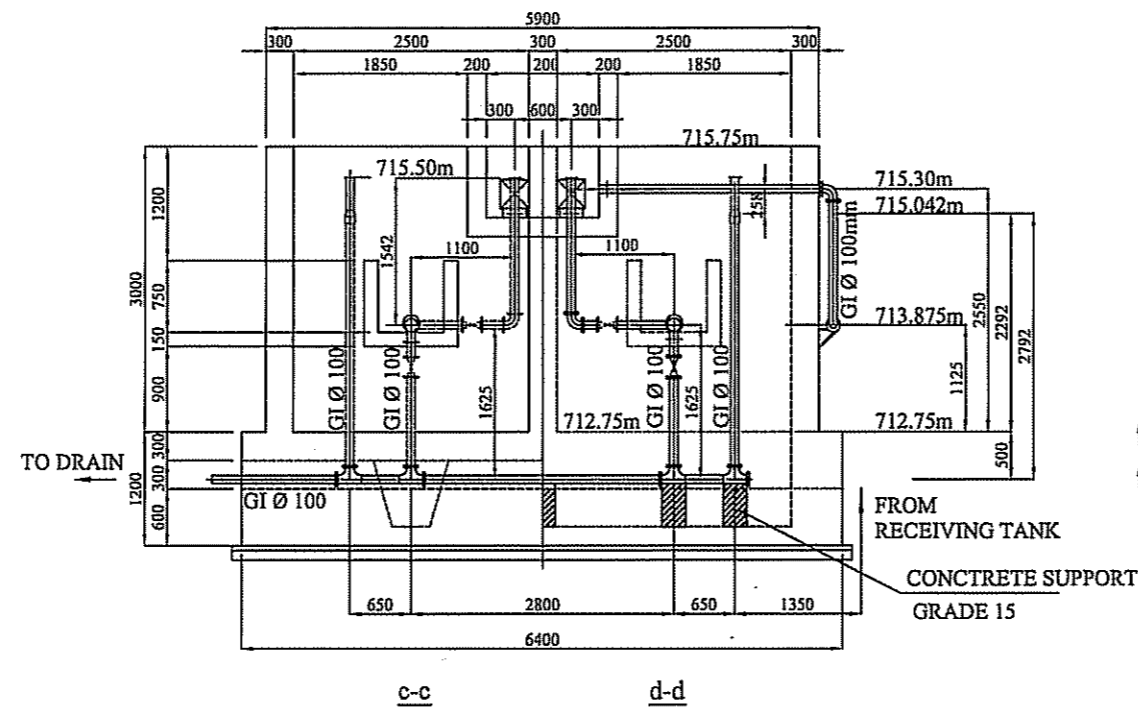
CONSULTING ENGINEERS:
 NIPPON KOEI CO., LTD.

TITLE:
REHABILITATION OF MORA SPRING WATER SUPPLY FACILITY
SLOW SAND FILTER DETAILS (1/3)

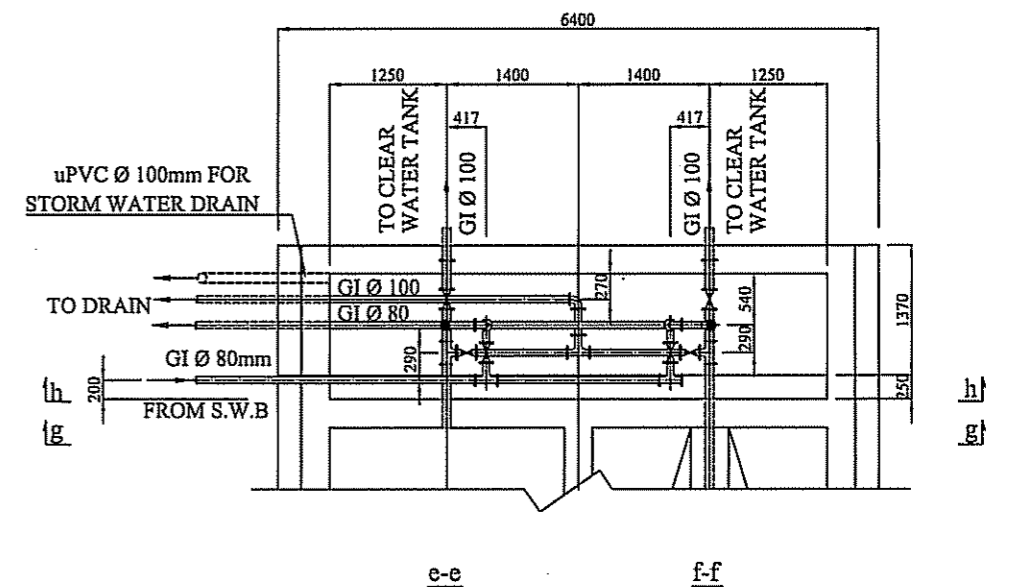
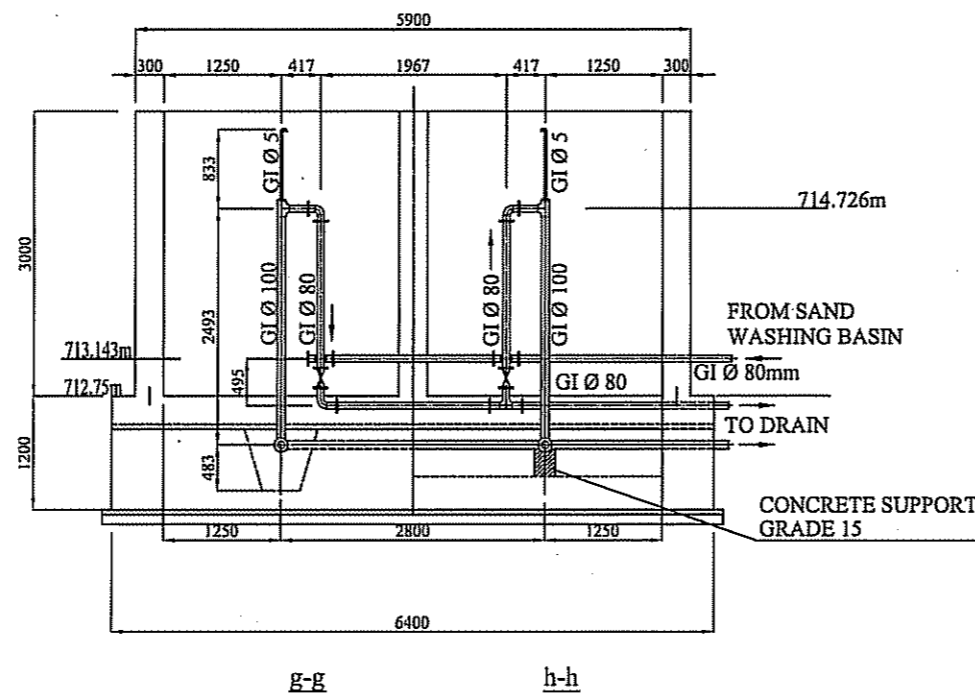
SCALE	DATE	DRAWING NO.
1:80	FEB.2006	WSF-066



INLET PIPE INSTALLATION




OUTLET PIPE INSTALLATION



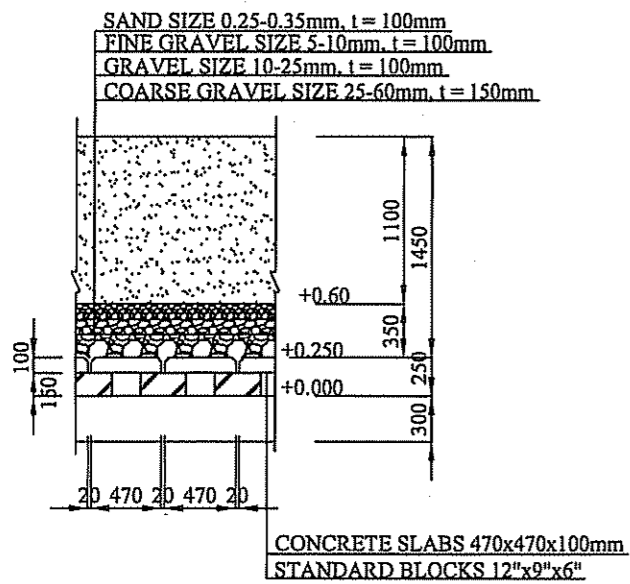
OWNER:
THE MINISTRY OF WATER AND IRRIGATION
THE REPUBLIC OF KENYA

PROJECT NAME:
THE PROJECT FOR
RURAL WATER SUPPLY

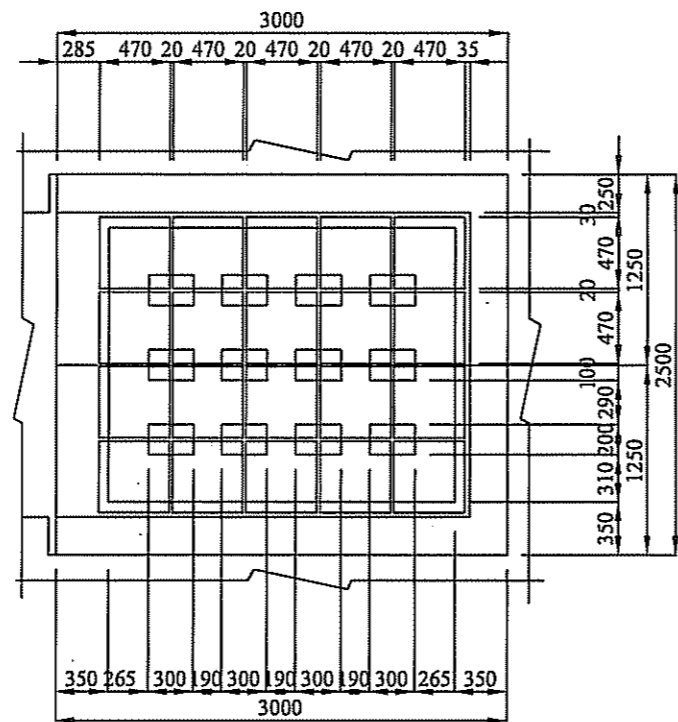
CONSULTING ENGINEERS:
 NIPPON KOEI CO., LTD.

TITLE:
SPRING WATER SUPPLY FACILITIES
SLOW SAND FILTER DETAILS (2/3)

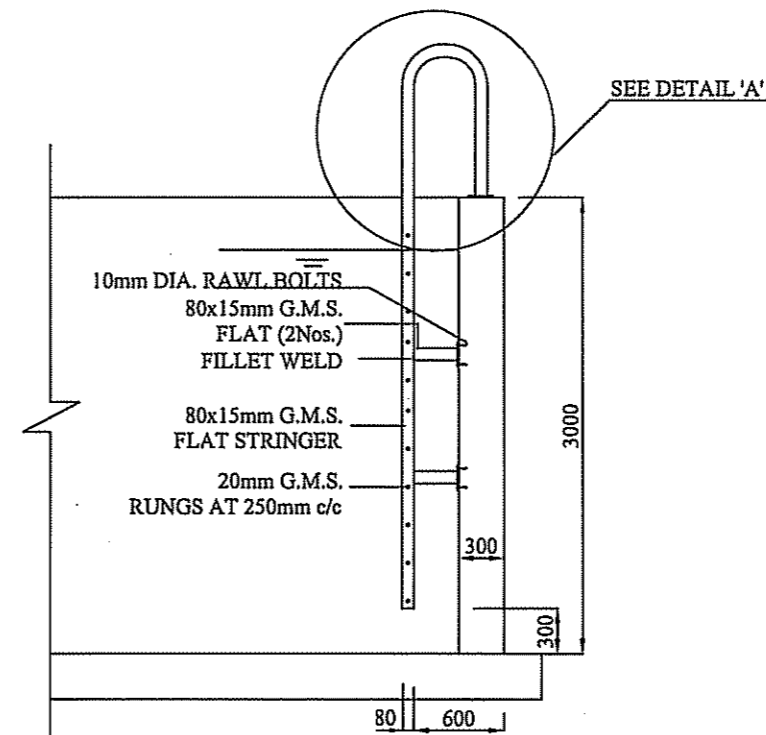
SCALE	DATE	DRAWING NO.
1:80	FEB.2006	WSF-067



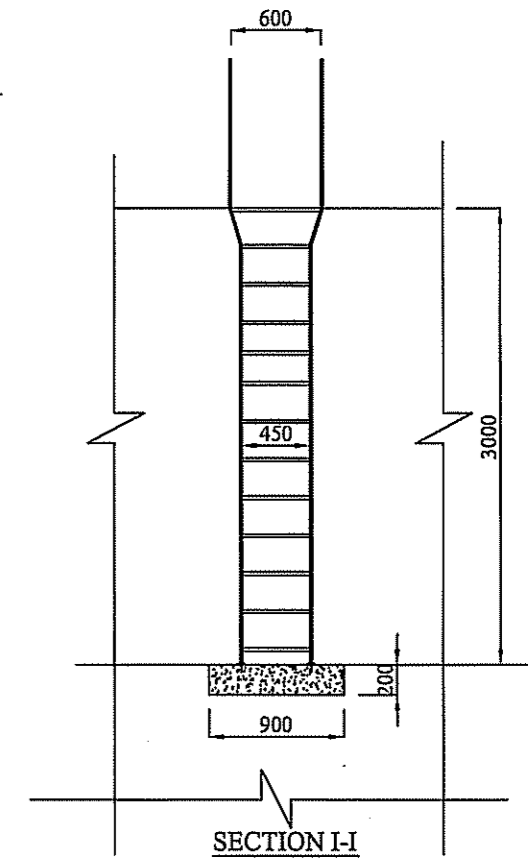
FILTER BED
 SCALE: 1:50



CONCRETE SLABS ARRANGEMENT
 SCALE: 1:50

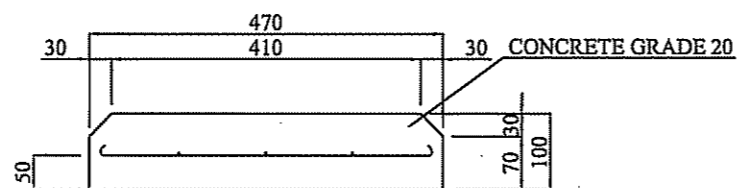


INSTALLATION INSIDE THE TANK
 SCALE: 1:50

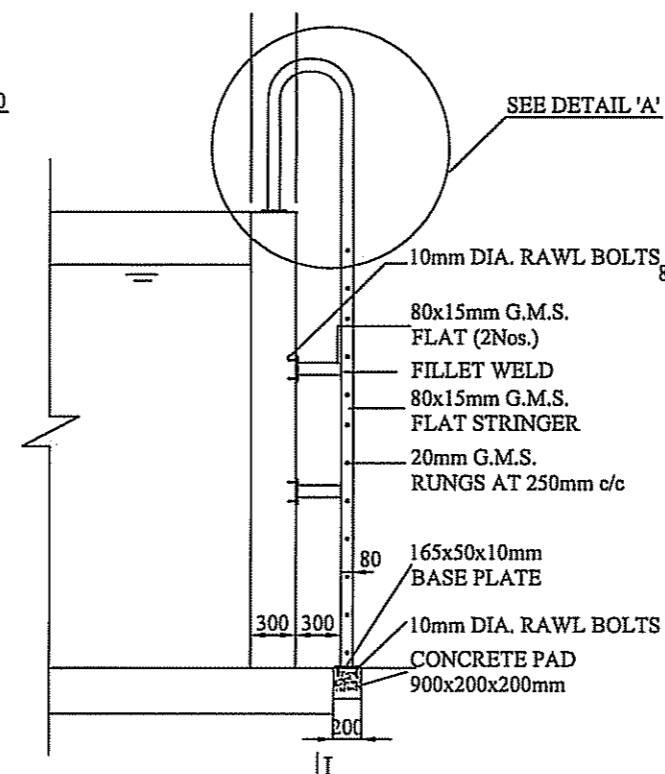
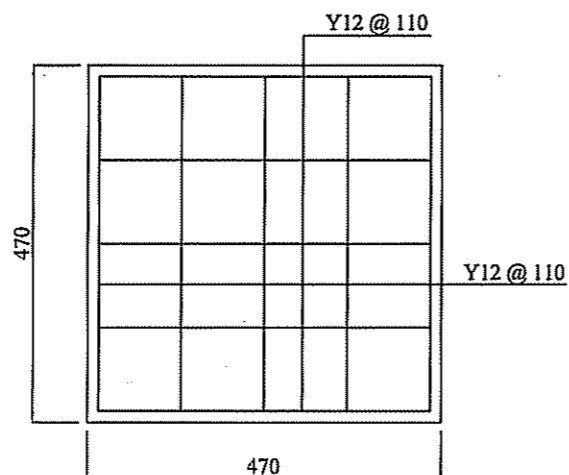


SECTION I-I
 SCALE: 1:50

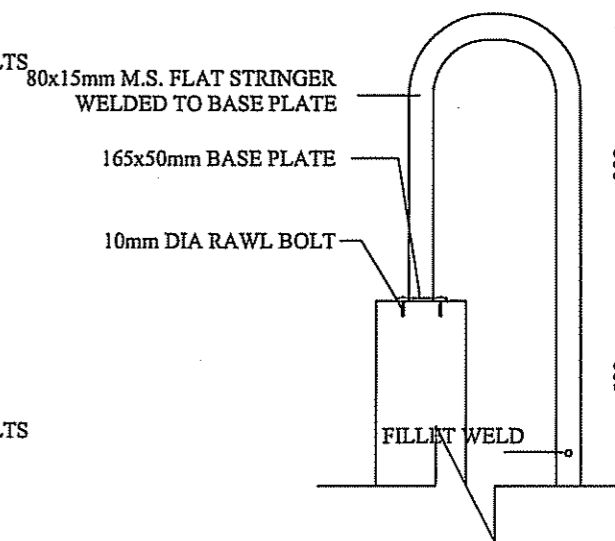
NOTE:
 UNGRADED MATERIAL EXCAVATED FROM NATURAL DEPOSITS SHOULD BE USED. SOME DEGREE OF UNIFORMITY IS DESIRABLE. ACCORDINGLY SAND HAVING A COEFFICIENT OF UNIFORMITY OF LESS THAN 3 SHOULD ALWAYS BE CHOSEN. UNIFORMITY IS DEFINED AS FOLLOWS:
 EFFECTIVE DIAMETER d10 IS THE SIZE OF THE SIEVE OPENING THROUGH WHICH 10% OF THE MATERIAL WILL JUST PASS. IN A SIMILAR WAY THE SIEVE OPENING THROUGH WHICH 60% OF THE MATERIAL WILL PASS IS SHOWN AS d60. THE COEFFICIENT OF UNIFORMITY IS THE RATIO d60/d10.



CONCRETE SLAB REINFORCEMENT
 SCALE: 1:10



INSTALLATION OUTSIDE THE TANK
 SCALE: 1:50



DETAIL 'A'
 SCALE: 1:25

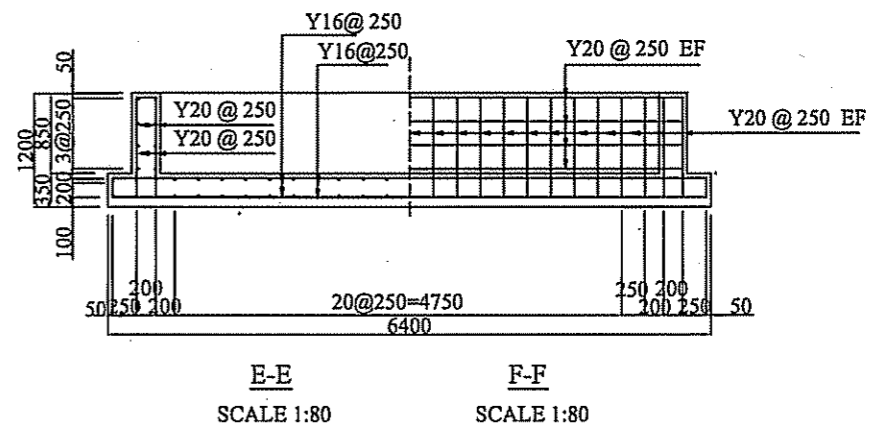
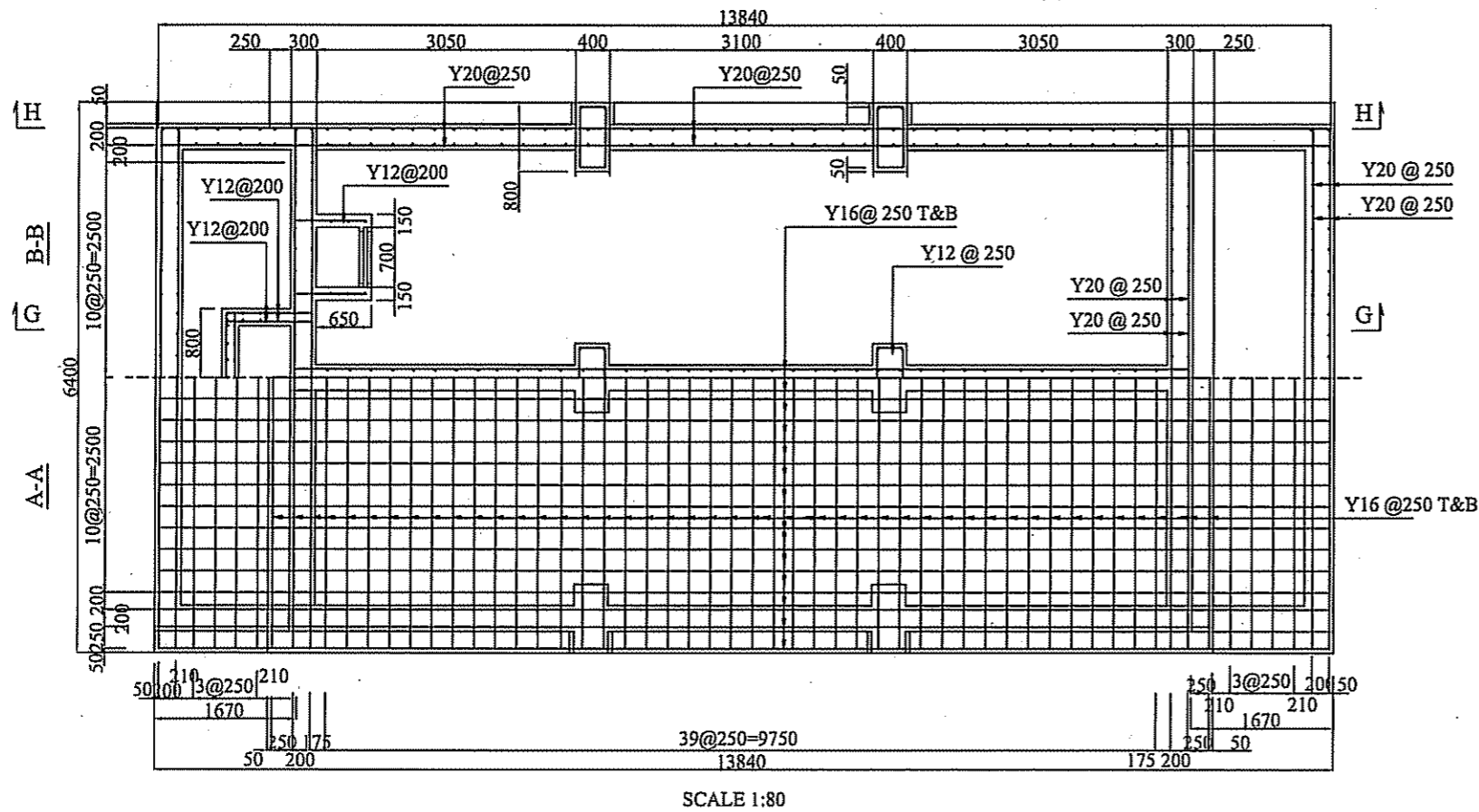
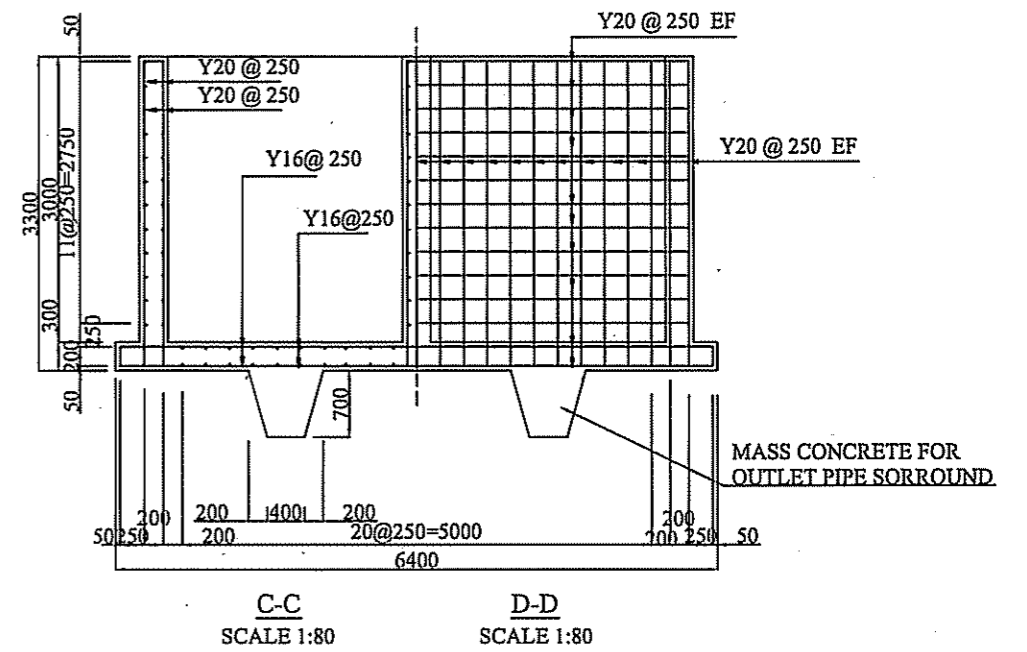
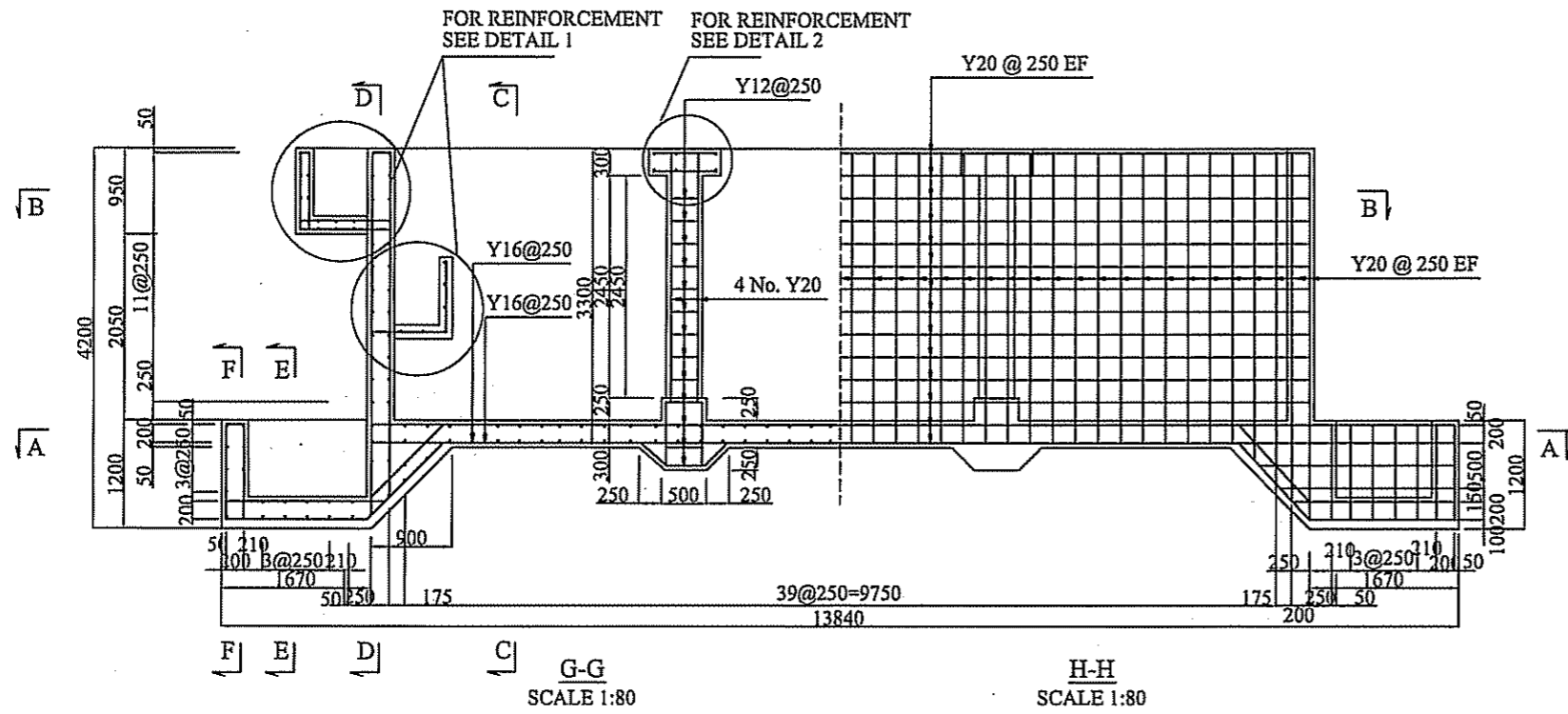
OWNER:
 THE MINISTRY OF WATER AND IRRIGATION
 THE REPUBLIC OF KENYA

PROJECT NAME:
 THE PROJECT FOR
 RURAL WATER SUPPLY

CONSULTING ENGINEERS:
 **NIPPON KOEI CO., LTD.**

TITLE:
**SPRING WATER SUPPLY FACILITIES
 SLOW SAND FILTER DETAILS (3/3)**

SCALE	DATE	DRAWING NO.
1:50 1:25 1:10	FEB.2006	WSF-068



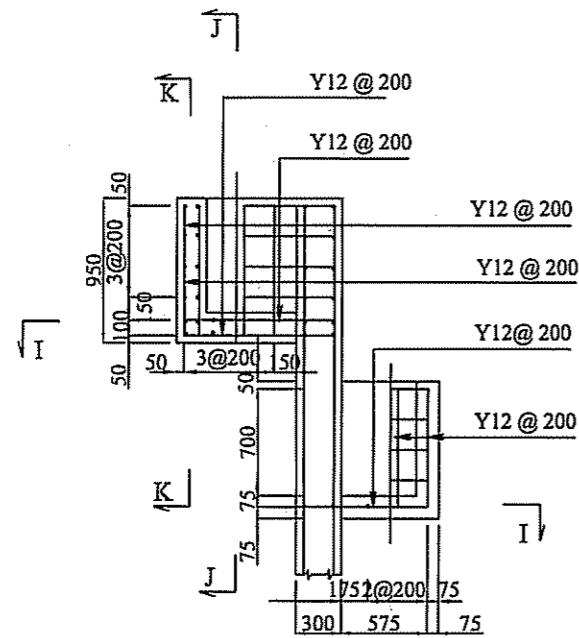
OWNER:
THE MINISTRY OF WATER AND IRRIGATION
THE REPUBLIC OF KENYA

PROJECT NAME:
THE PROJECT FOR
RURAL WATER SUPPLY

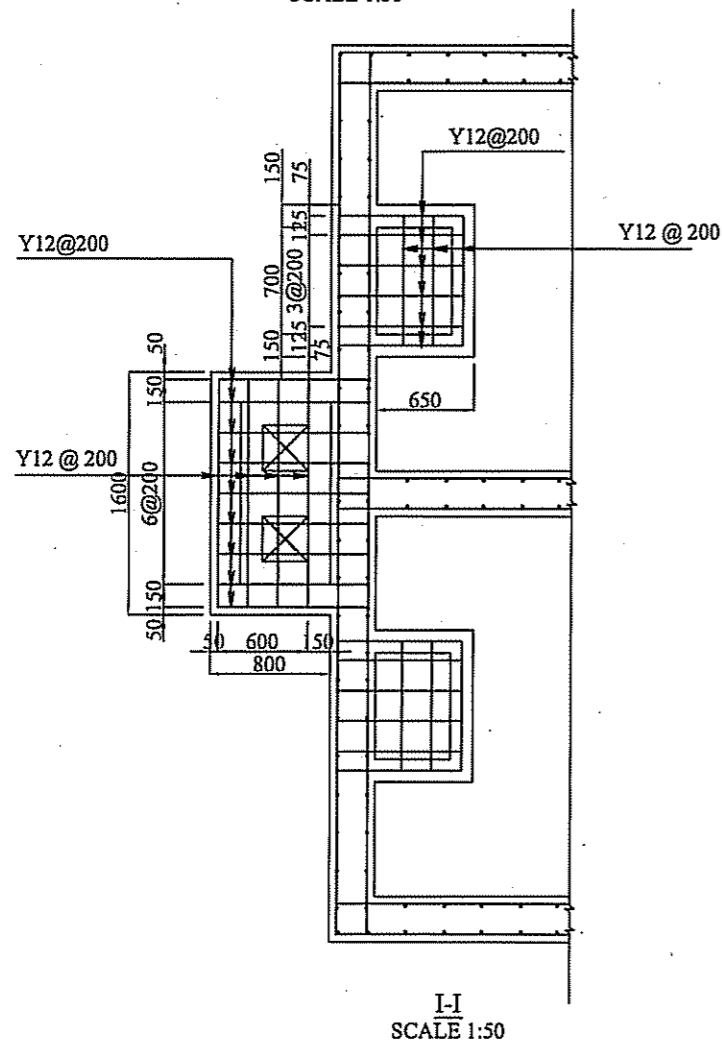
CONSULTING ENGINEERS:
NIPPON KOEI CO., LTD.

TITLE:
SPRING WATER SUPPLY FACILITIES
REINFORCEMENT BAR ARRANGEMENT OF SLOW SAND FILTER (1/2)

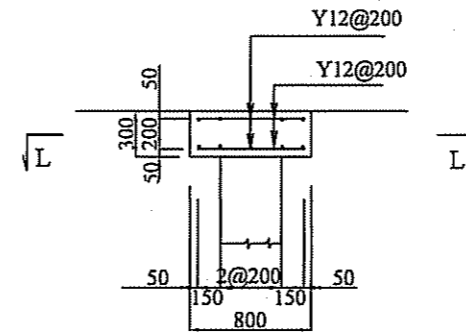
SCALE	DATE	DRAWING NO.
1:80	FEB.2006	WSF-069



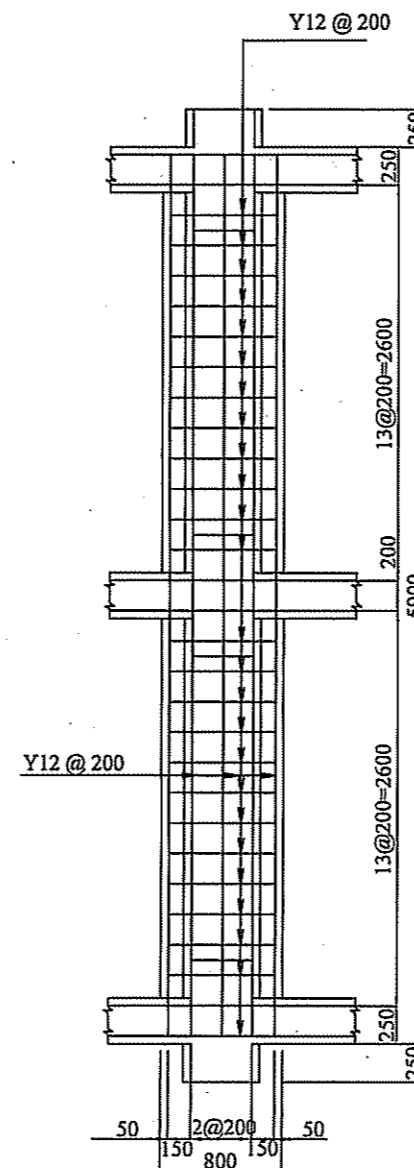
DETAIL 1
SCALE 1:50



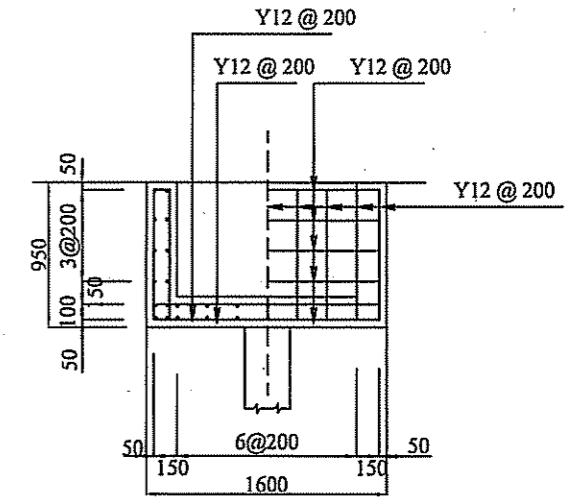
I-I
SCALE 1:50



DETAIL 2
SCALE 1:50




L-L
SCALE 1:50



J-J K-K
SCALE 1:50

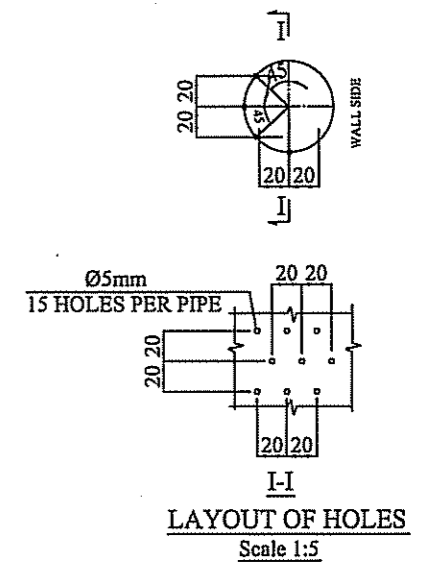
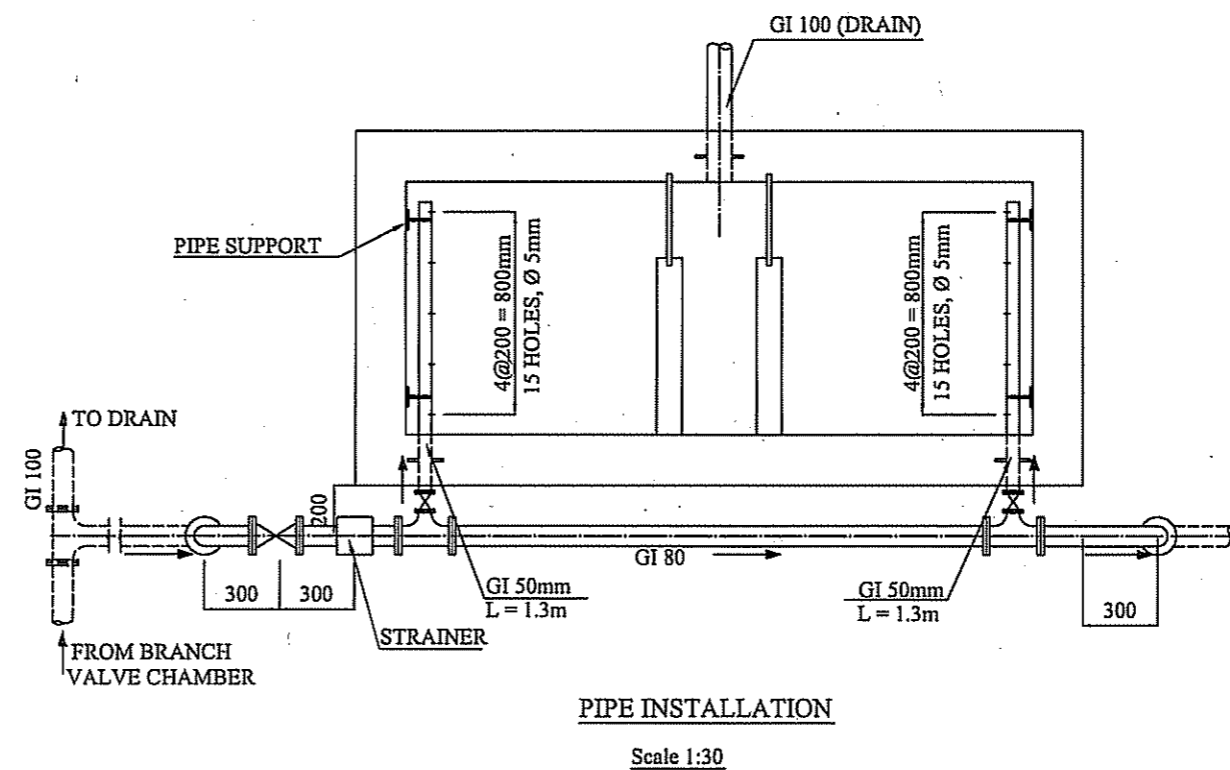
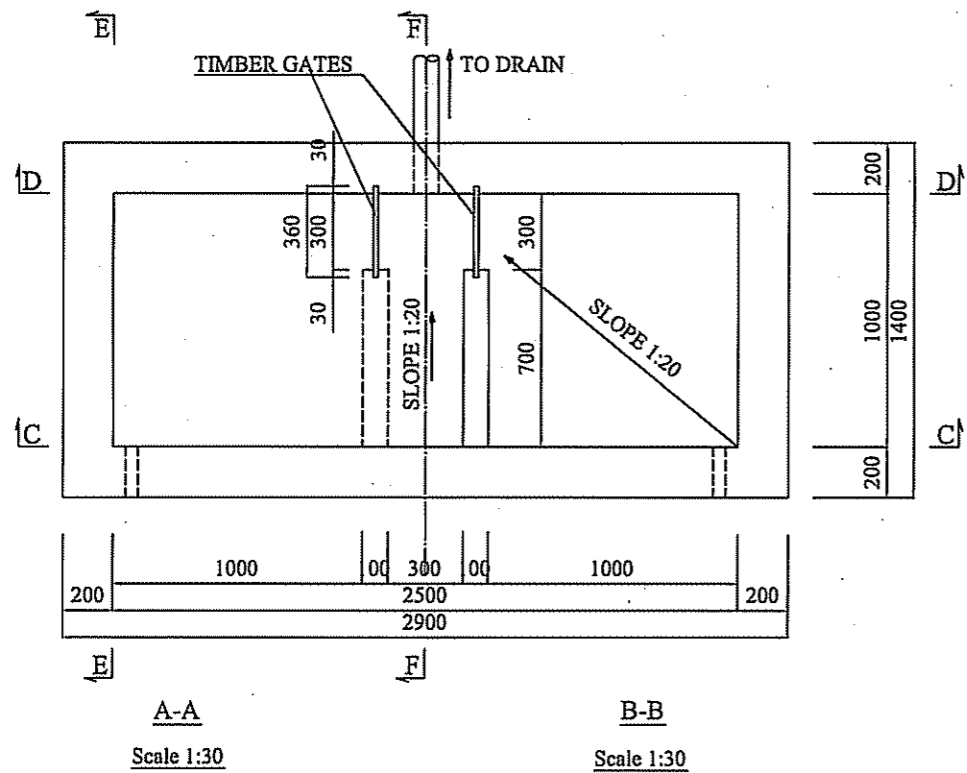
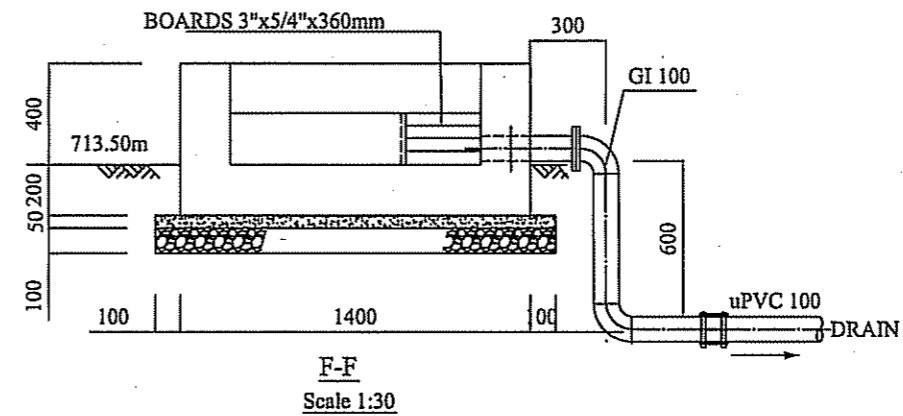
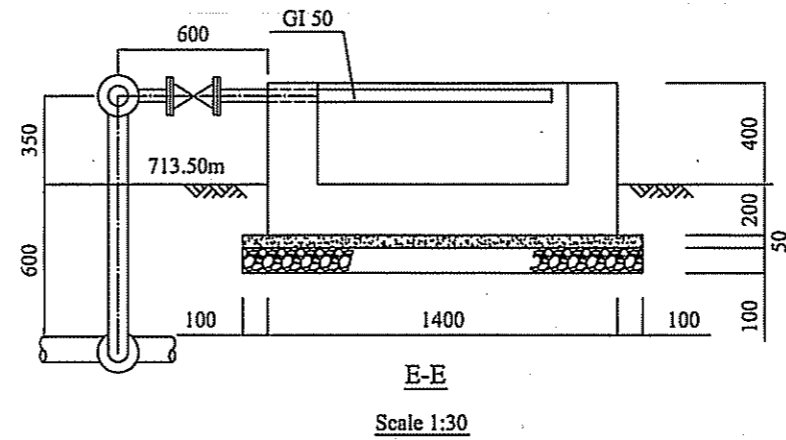
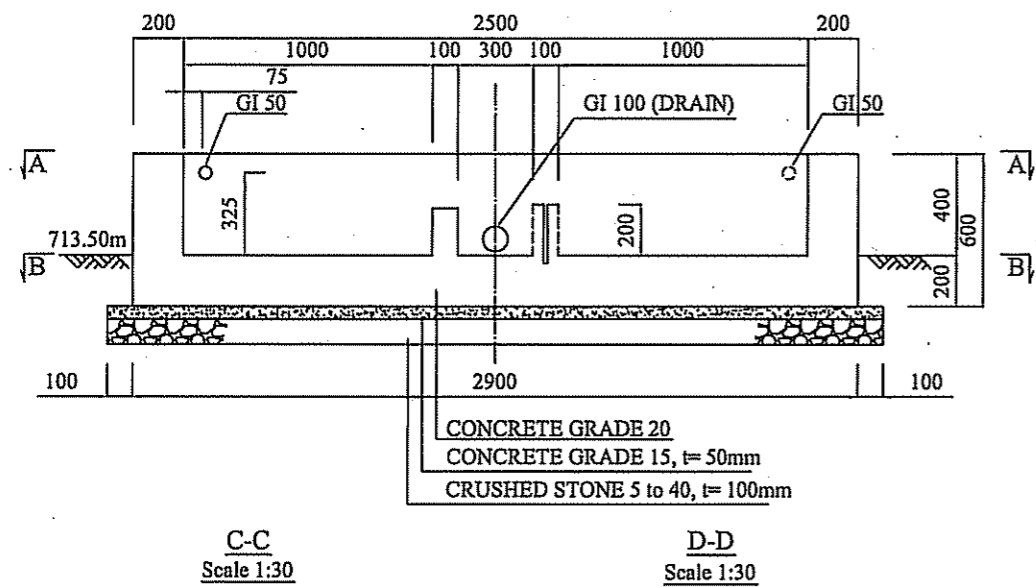
OWNER:
THE MINISTRY OF WATER AND IRRIGATION
THE REPUBLIC OF KENYA

PROJECT NAME:
THE PROJECT FOR
RURAL WATER SUPPLY

CONSULTING ENGINEERS:
 NIPPON KOEI CO., LTD.

TITLE:
SPRING WATER SUPPLY FACILITIES
REINFORCEMENT BAR ARRANGEMENT OF SLOW SAND FILTER (2/2)

SCALE	DATE	DRAWING NO.
1:50	FEB.2006	WSF-070



NOTES: : ALL SURFACES OF THE STRUCTURE IN CONTACT WITH WATER SHALL BE LINED WITH 30mm THICK WATER PROOFING MORTAR

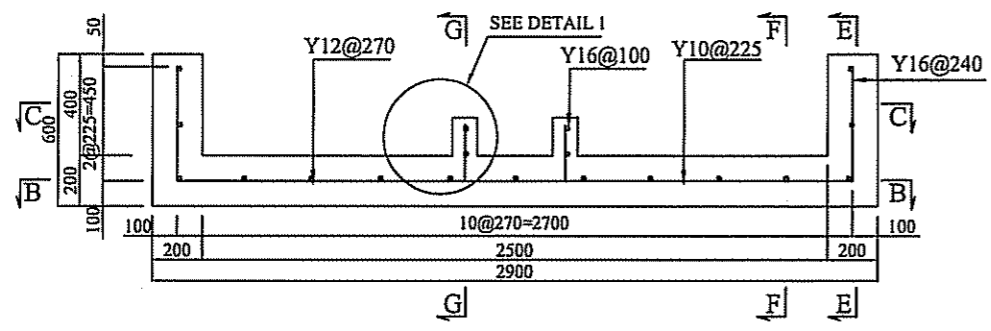
OWNER:
THE MINISTRY OF WATER AND IRRIGATION
THE REPUBLIC OF KENYA

PROJECT NAME:
THE PROJECT FOR
RURAL WATER SUPPLY

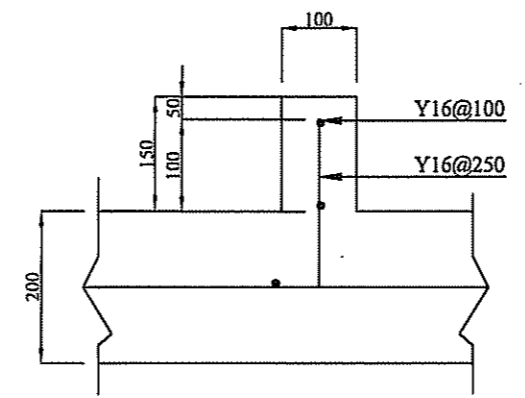
CONSULTING ENGINEERS:
NIPPON KOEI CO.,LTD.

TITLE:
REHABILITATION OF MORA SPRING WATER SUPPLY FACILITY
SAND WASH DETAILS

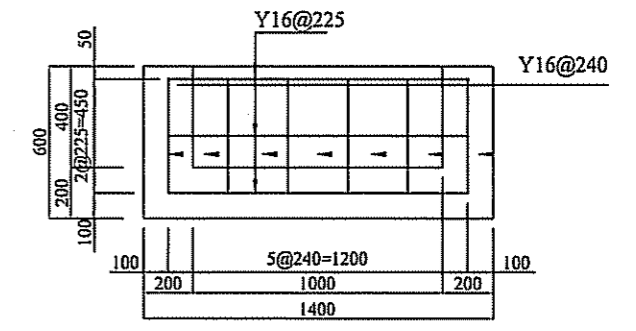
SCALE 1:5 1:30	DATE FEB.2006	DRAWING NO. WSF-071
----------------------	------------------	------------------------



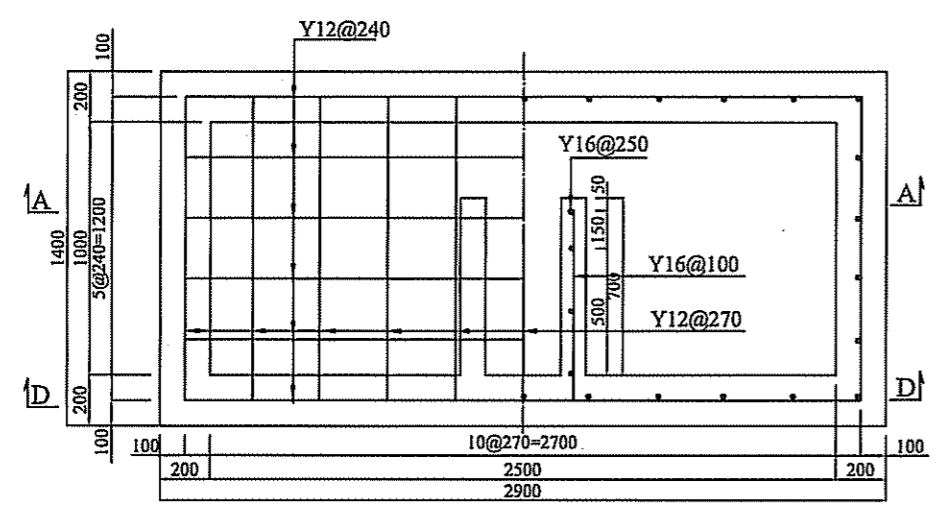
A - A
Scale 1:30



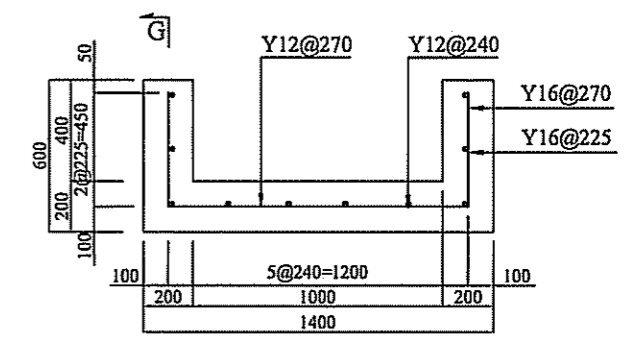
DETAIL 1
Scale 1:10



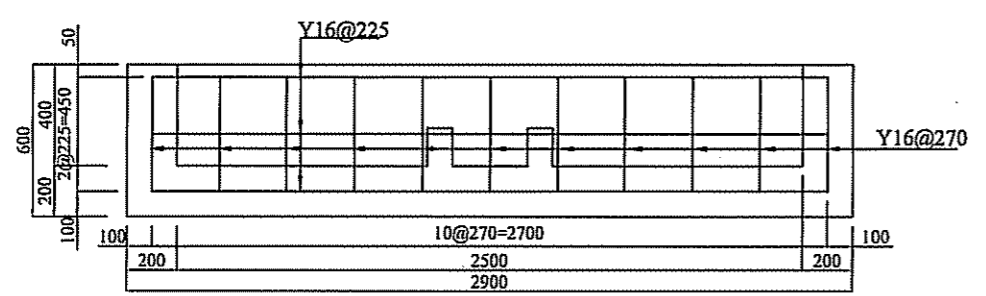
E - E
Scale 1:30



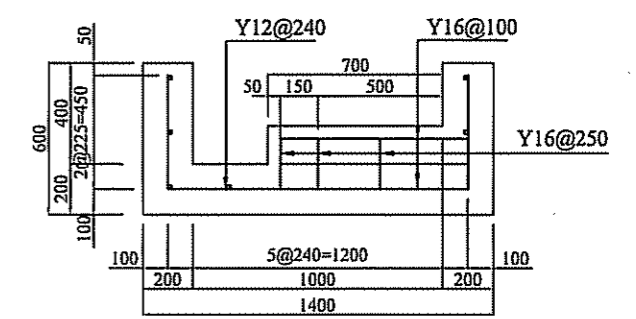
B-B C-C
Scale 1:30 Scale 1:30



F - F
Scale 1:30



D - D
Scale 1:30



G - G
Scale 1:30

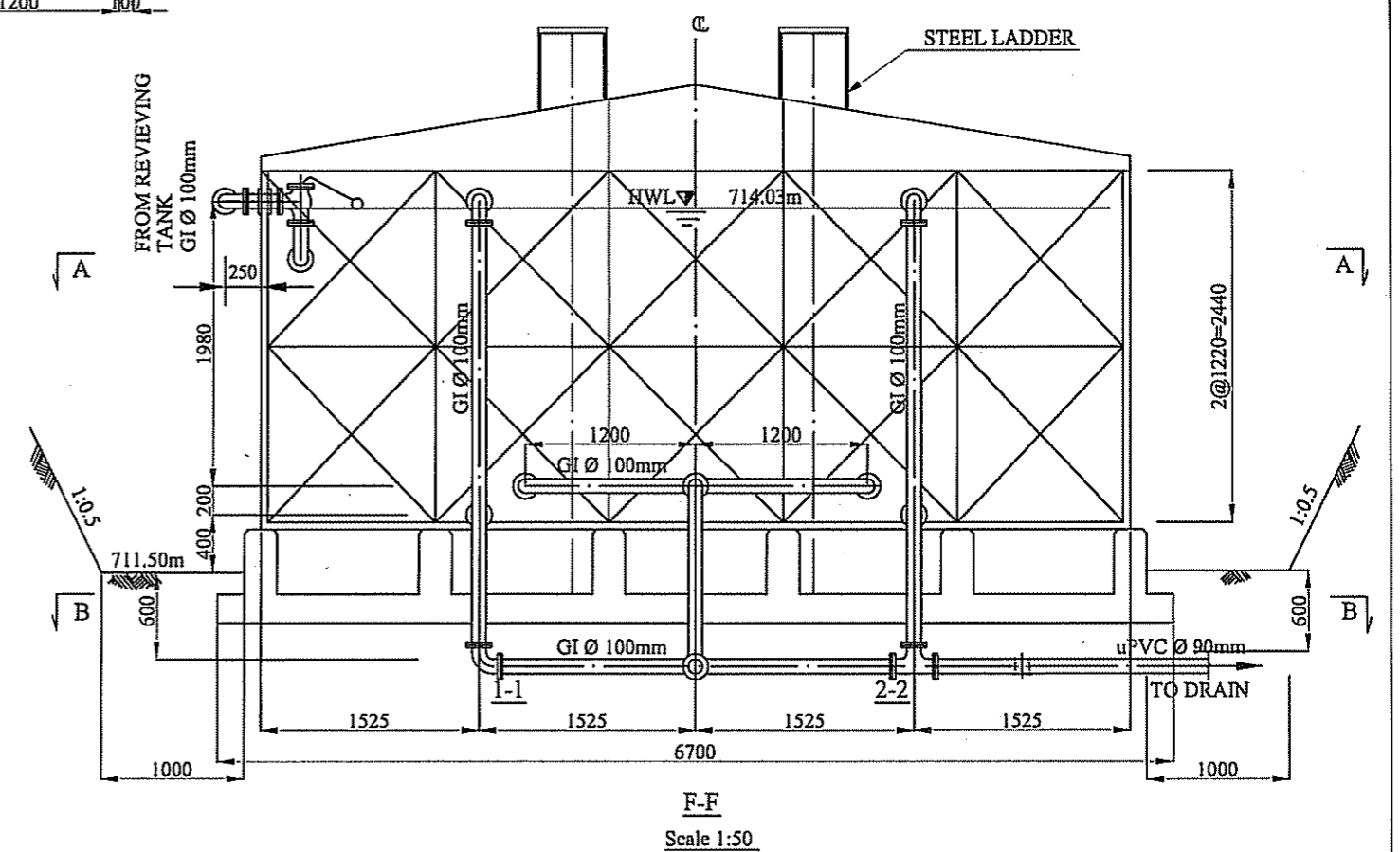
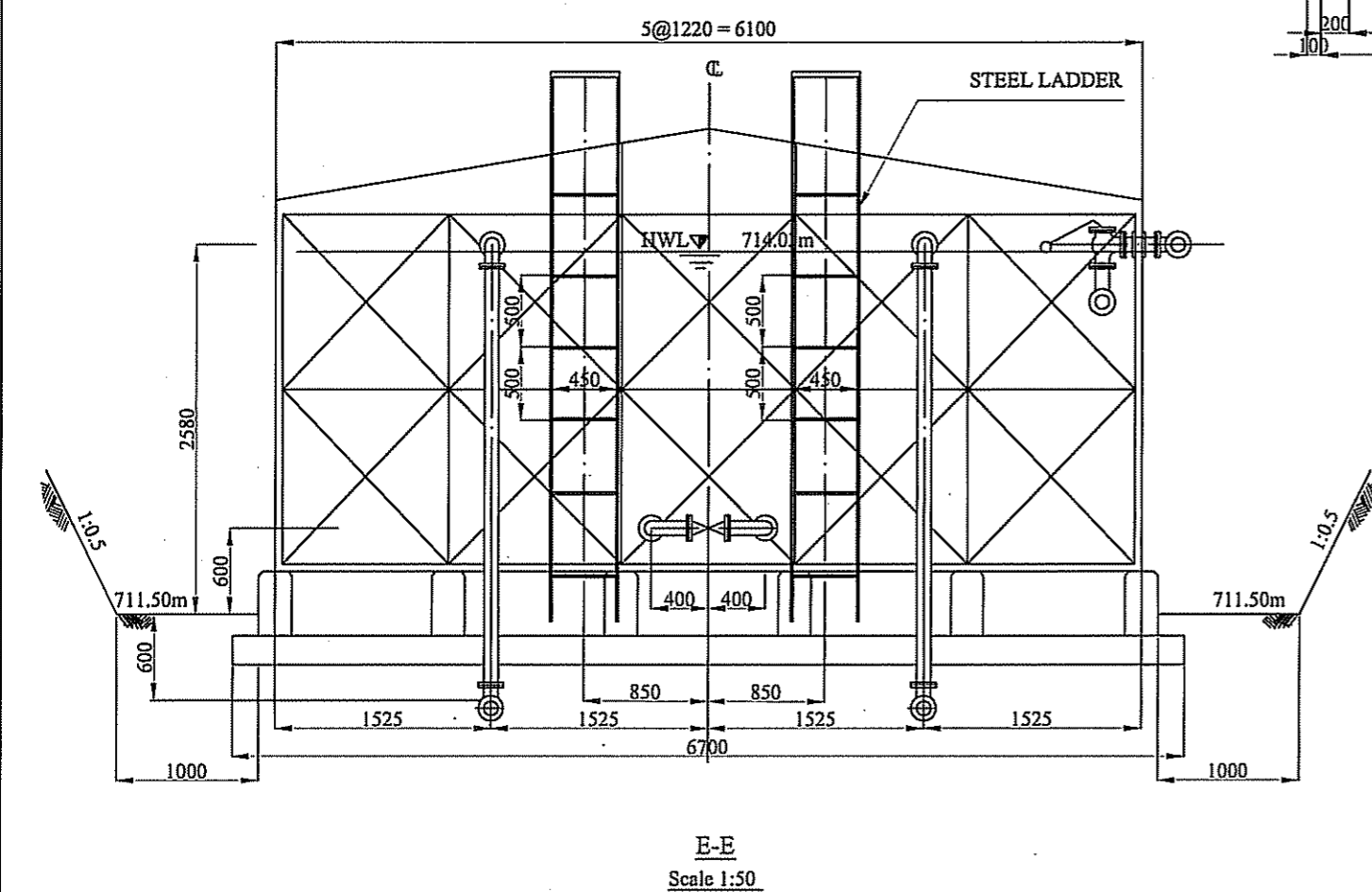
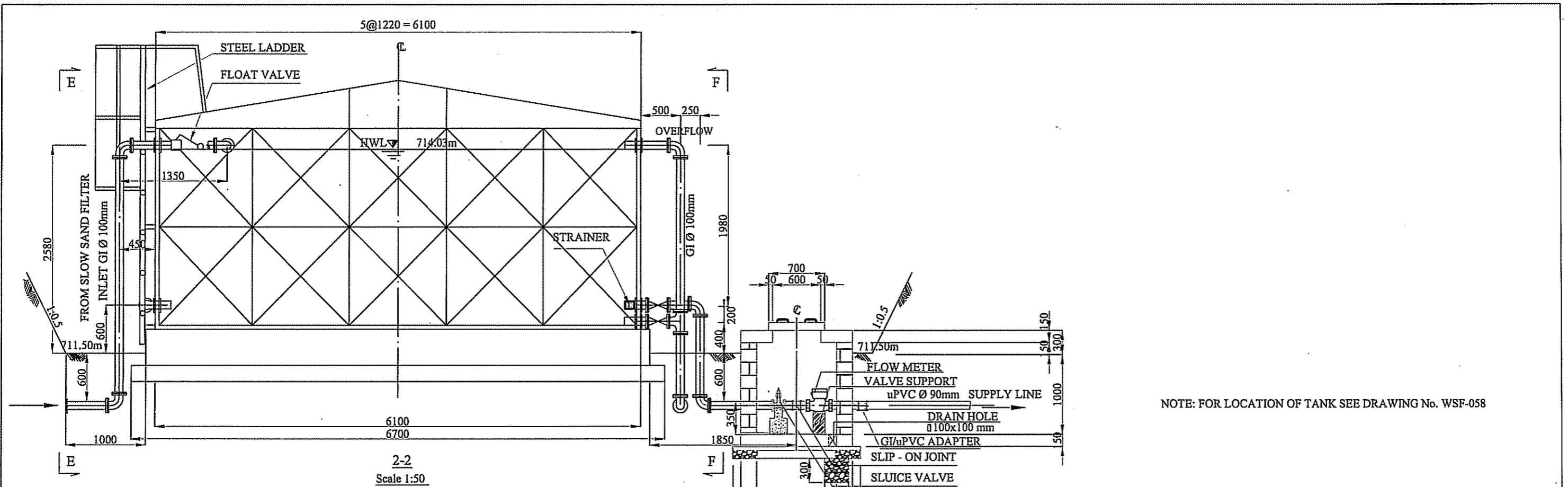
OWNER:
THE MINISTRY OF WATER AND IRRIGATION
THE REPUBLIC OF KENYA

PROJECT NAME:
THE PROJECT FOR
RURAL WATER SUPPLY

CONSULTING ENGINEERS:
 NIPPON KOEI CO.,LTD.


TITLE:
REHABILITATION OF MORA SPRING WATER SUPPLY FACILITY
REINFORCEMENT BAR ARRANGEMENT OF SAND WASH BASIN

SCALE	DATE	DRAWING NO.
1:30 1:10	FEB.2006	WSF-072



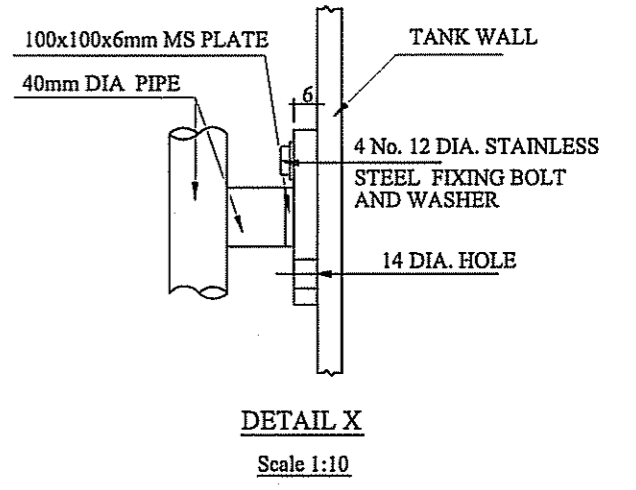
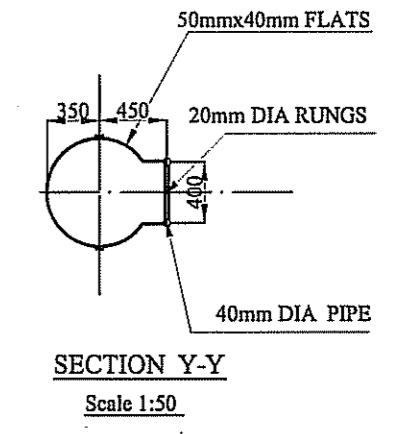
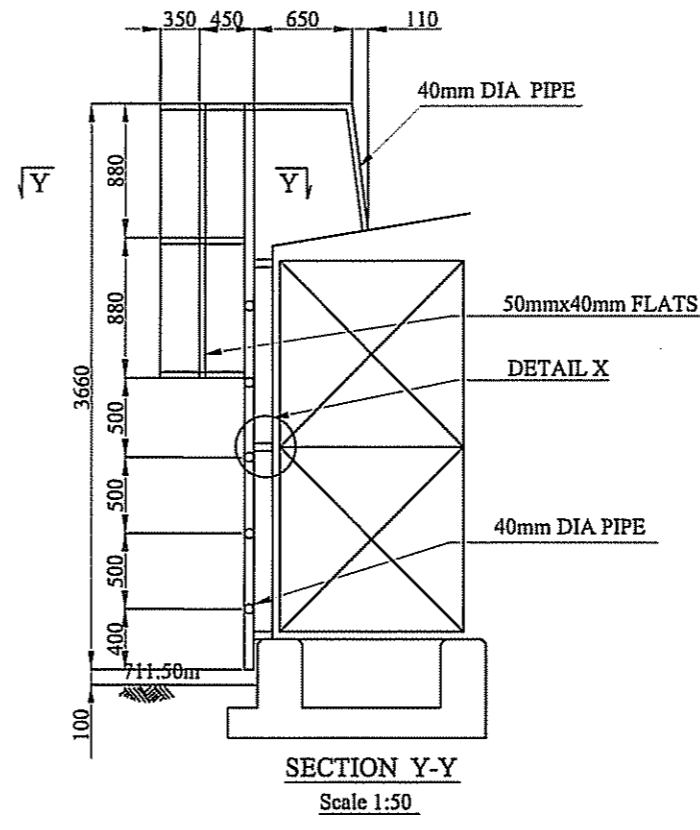
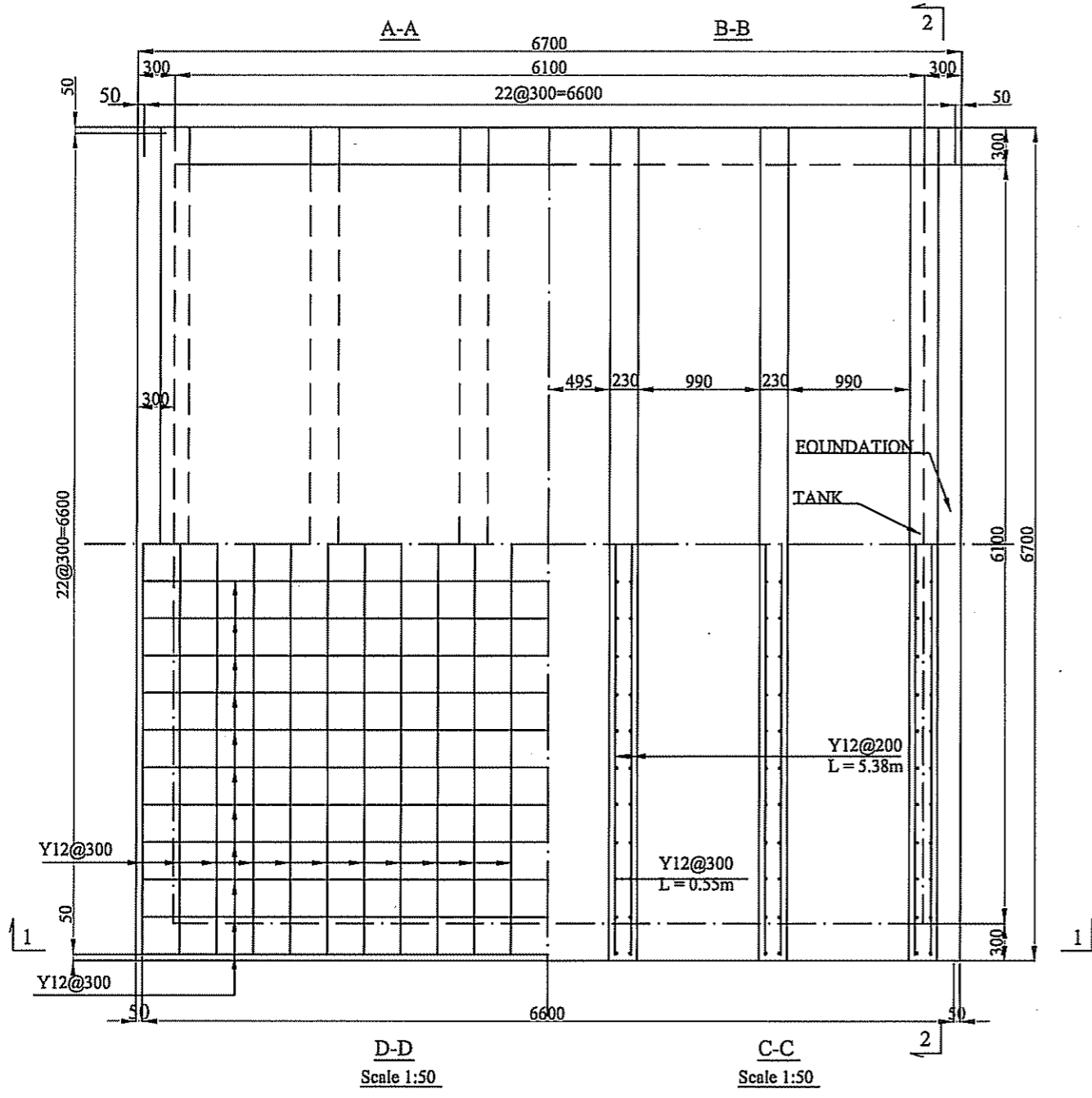
OWNER:
 THE MINISTRY OF WATER AND IRRIGATION
 THE REPUBLIC OF KENYA

PROJECT NAME:
 THE PROJECT FOR
 RURAL WATER SUPPLY

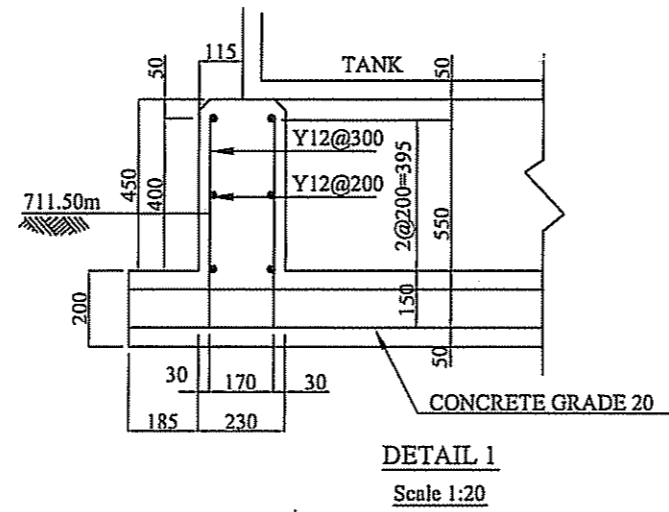
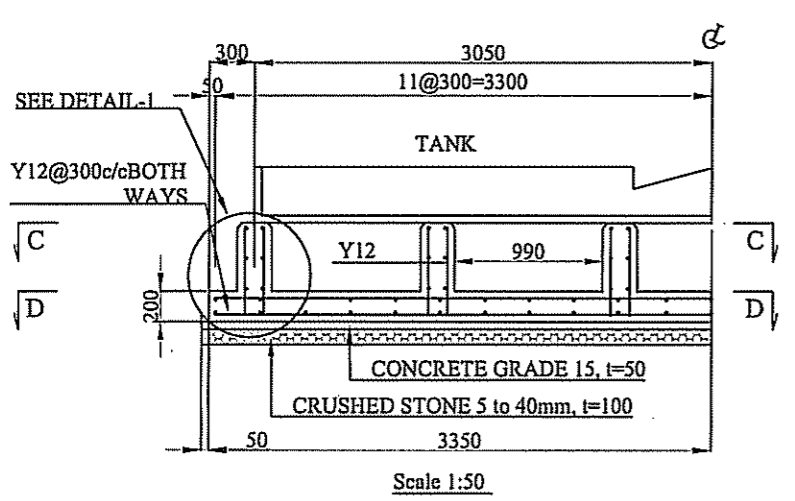
CONSULTING ENGINEERS:
 **NIPPON KOEI CO.,LTD.**

TITLE:
 REHABILITATION OF MORA SPING WATER SUPPLY FACILITY
 CLEAR WATER TANK DETAILS (1/2)

SCALE 1:50	DATE FEB.2006	DRAWING NO. WSF-073
---------------	------------------	------------------------



STEEL LADDER DETAILS



ACTUAL STORAGE TANK VOLUME: 90.8m³

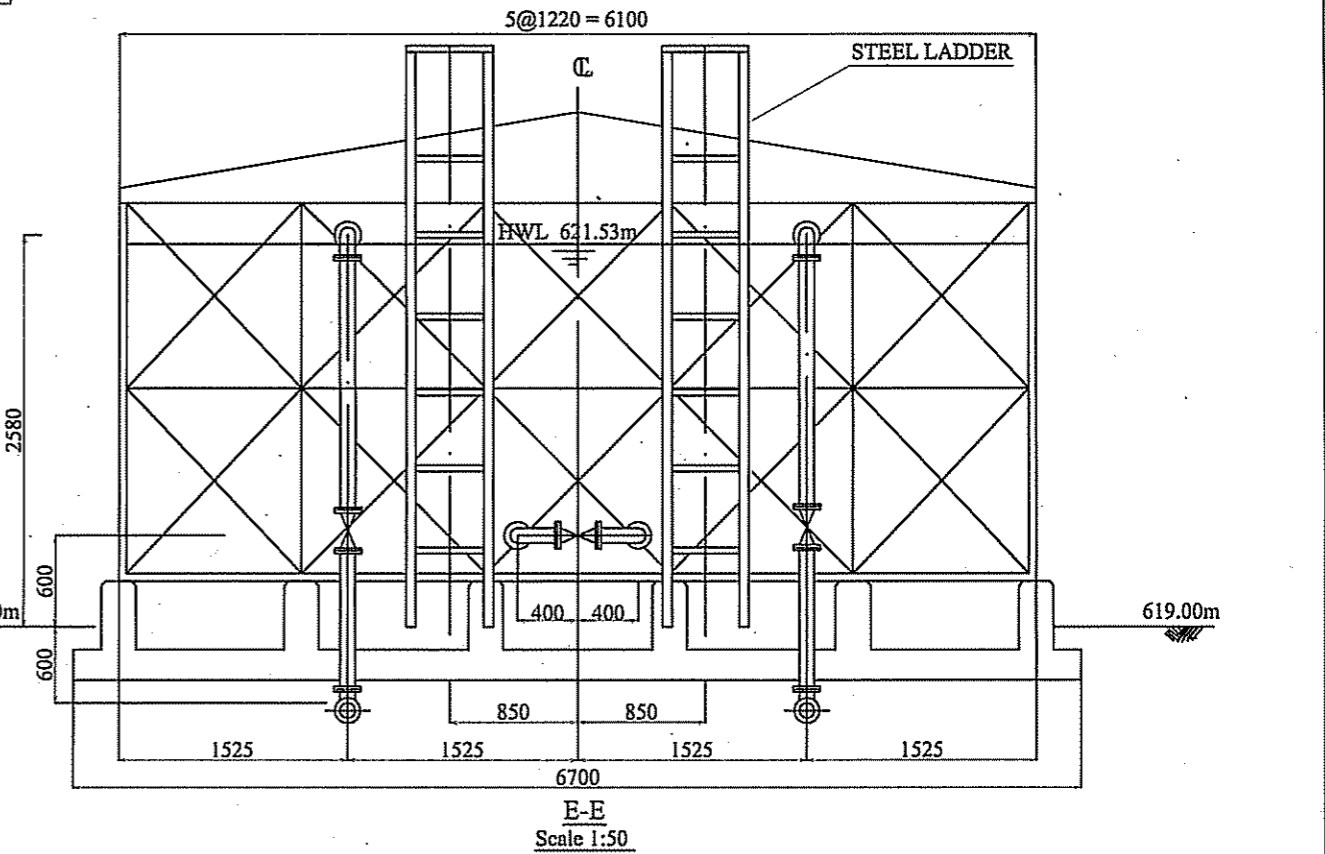
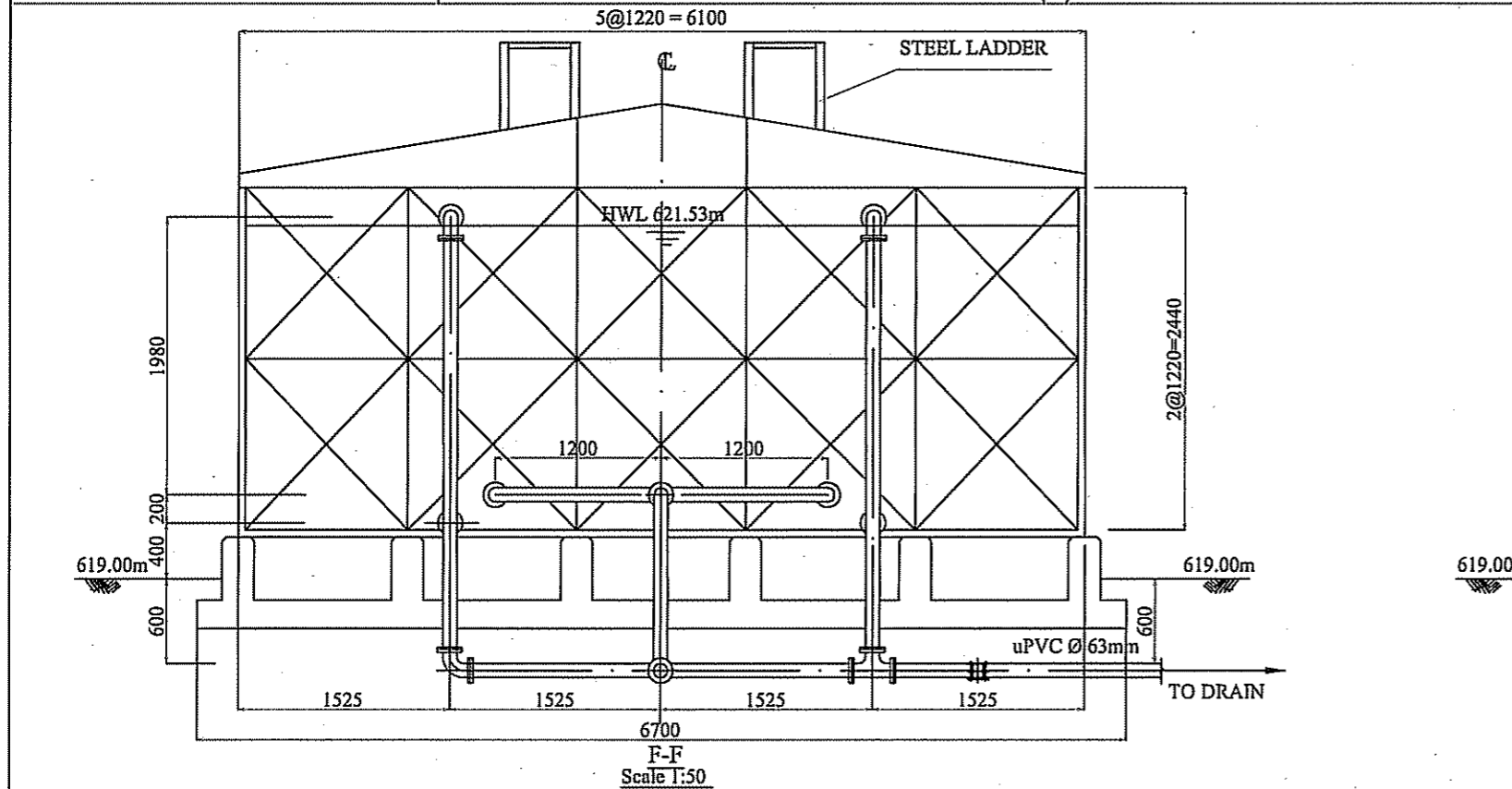
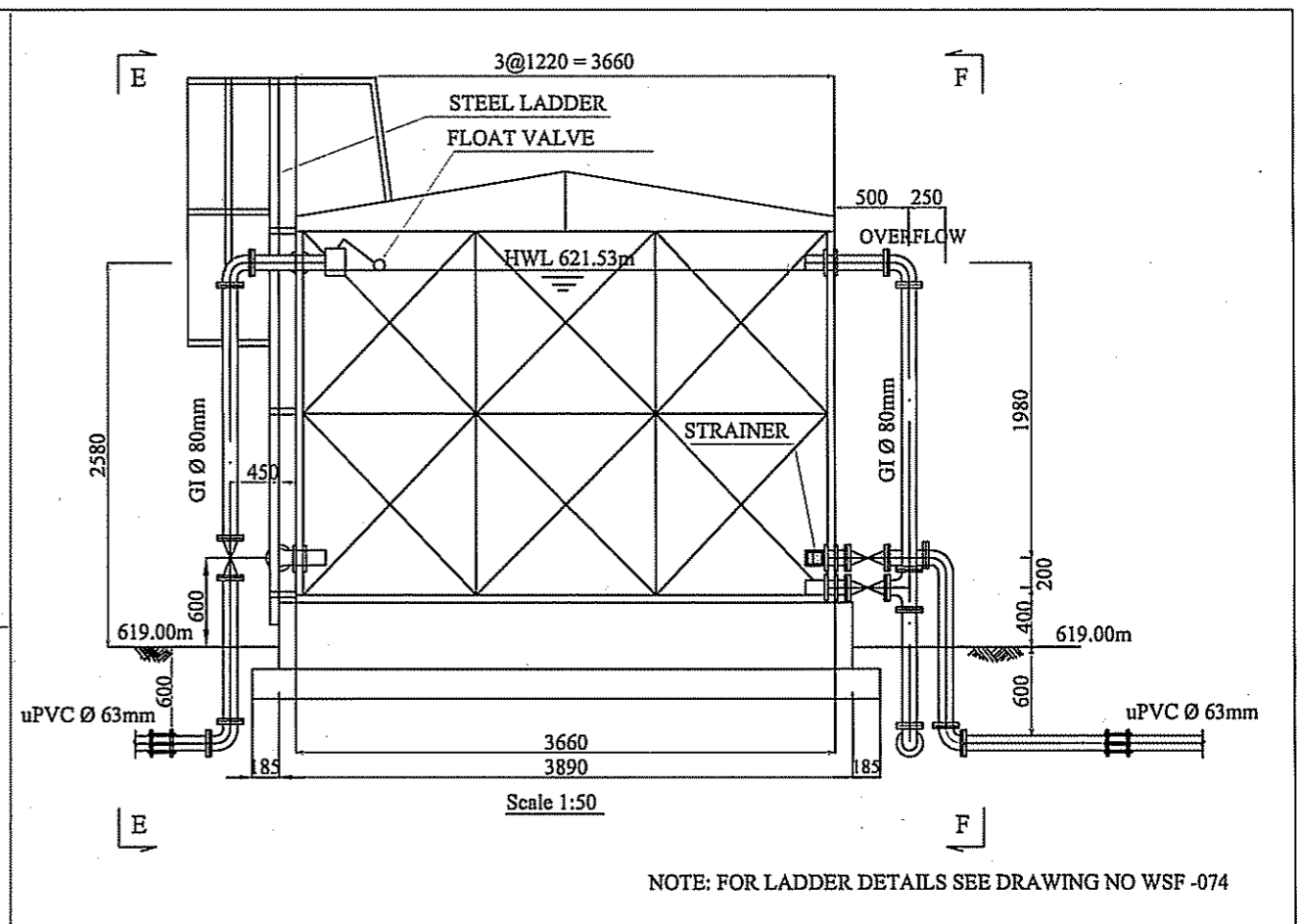
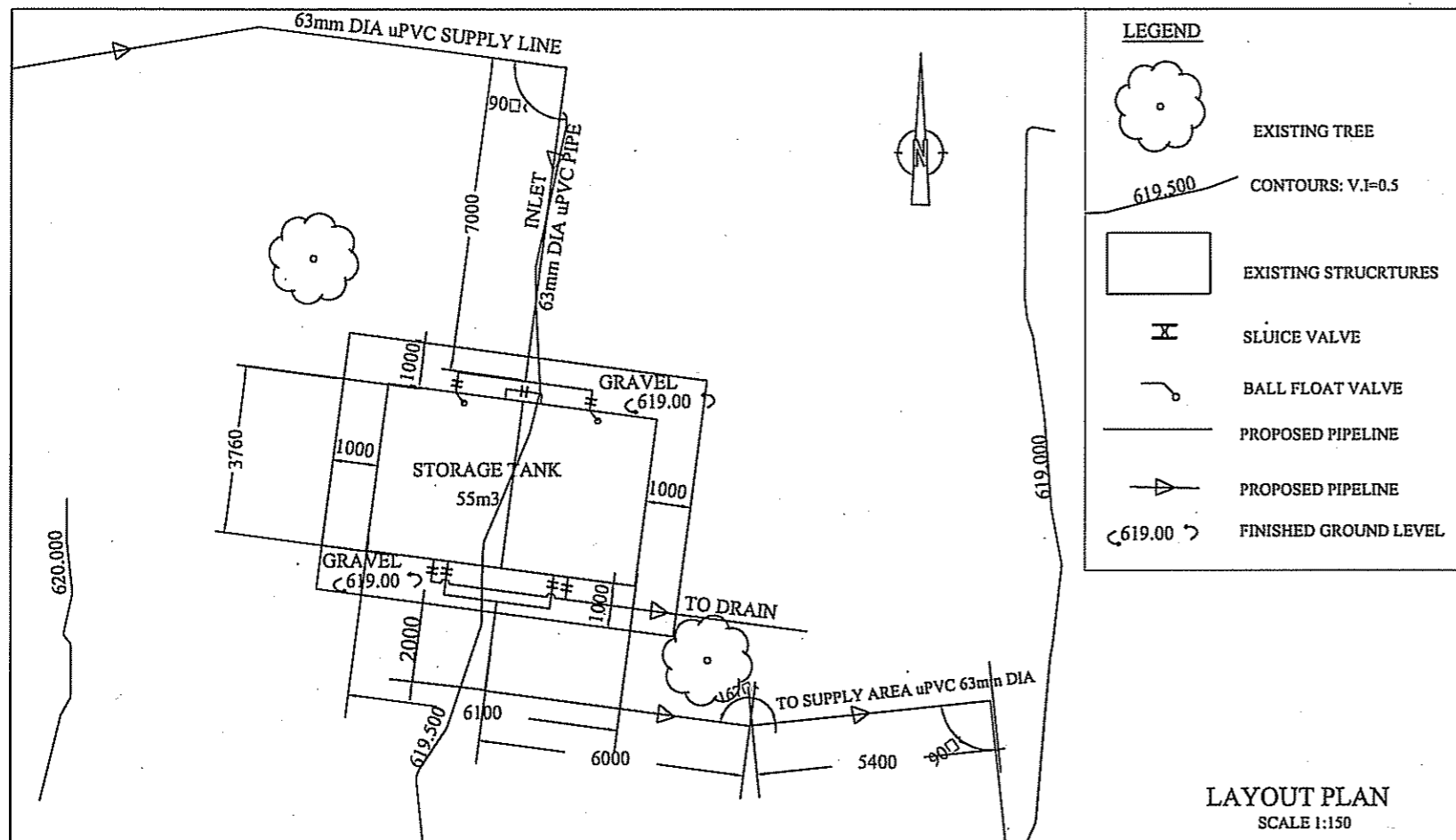
OWNER:
THE MINISTRY OF WATER AND IRRIGATION
THE REPUBLIC OF KENYA

PROJECT NAME:
THE PROJECT FOR
RURAL WATER SUPPLY

CONSULTING ENGINEERS:
 NIPPON KOEI CO.,LTD.

TITLE:
REHABILITATION OF MORA SPRING WATER SUPPLY FACILITY
CLEAR WATER TANK DETAILS (2/2)

SCALE	DATE	DRAWING NO.
1:10 1:20 1:50	FEB.2006	WSF-074



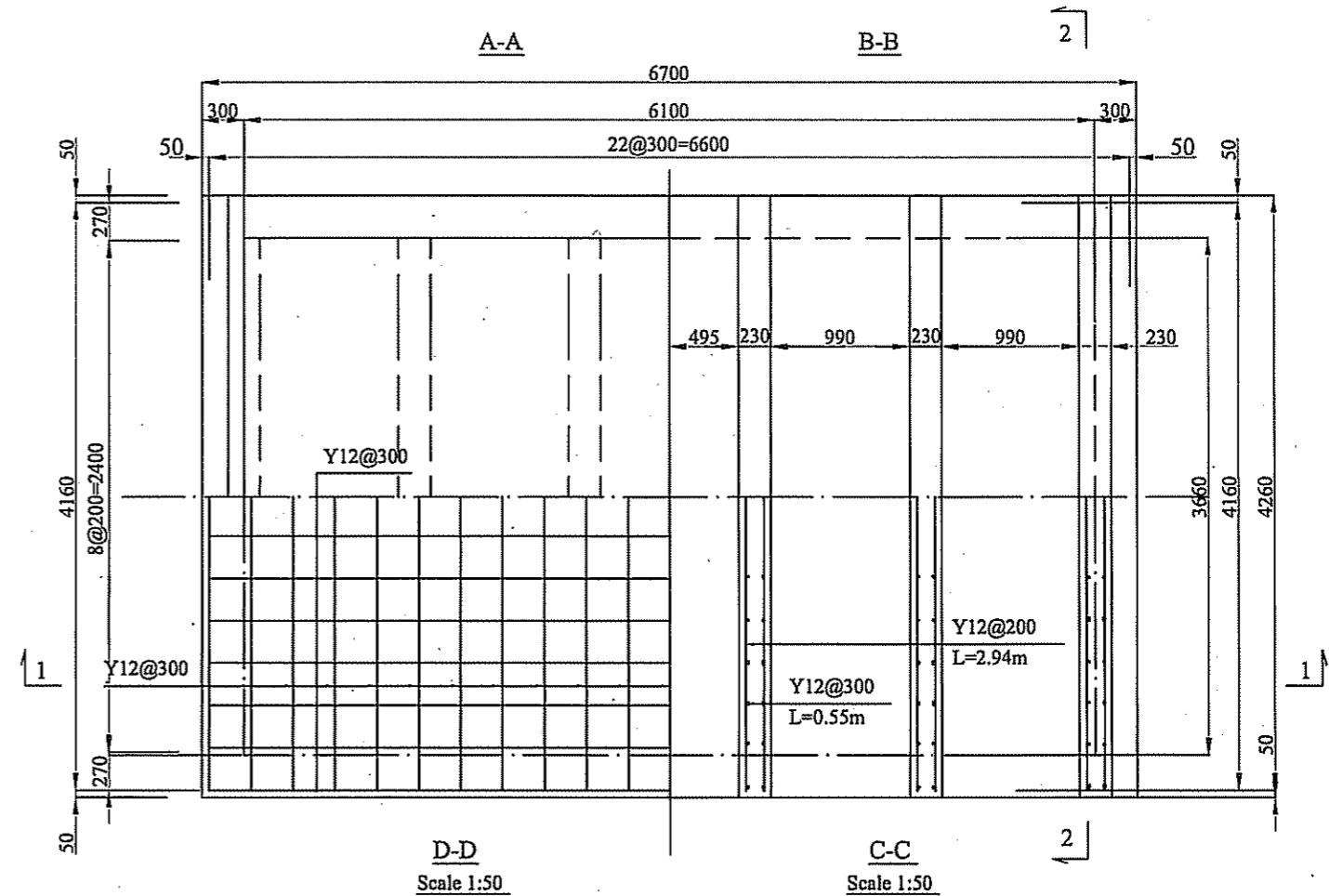
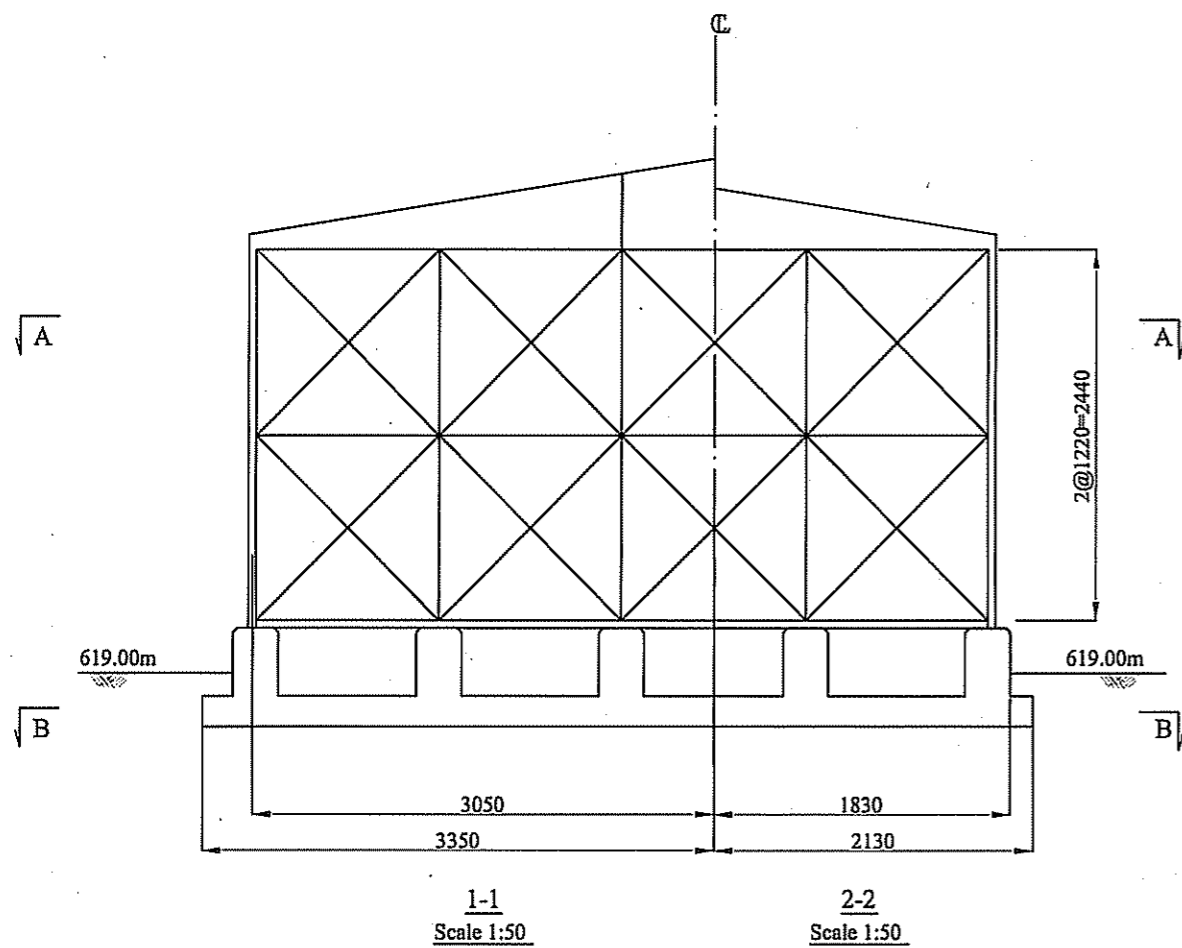
OWNER:
THE MINISTRY OF WATER AND IRRIGATION
THE REPUBLIC OF KENYA

PROJECT NAME:
THE PROJECT FOR
RURAL WATER SUPPLY

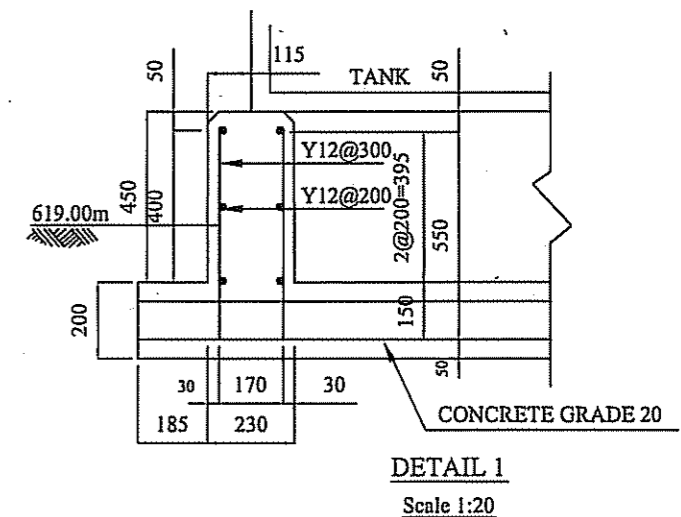
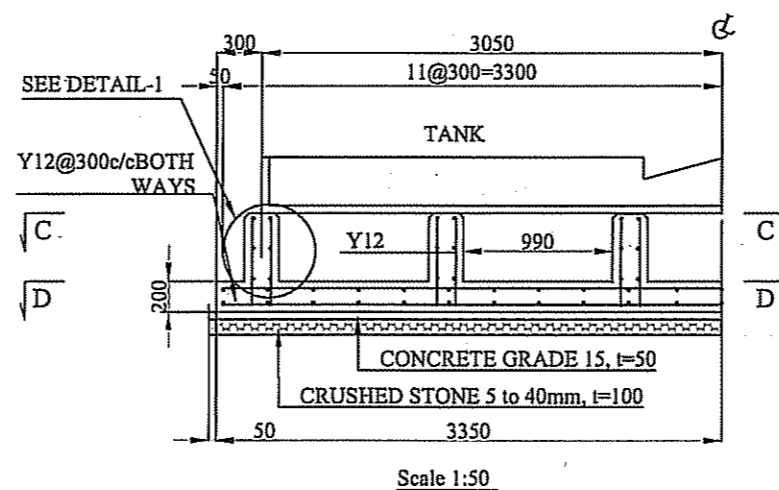
CONSULTING ENGINEERS:
 NIPPON KOEI CO., LTD.

TITLE:
REHABILITATION OF MORA SPRING WATER SUPPLY FACILITY
STORAGE TANK DETAILS (1/2)

SCALE 1:50 1:150	DATE FEB.2006	DRAWING NO. WSF-075
------------------------	------------------	------------------------



Tank Type	Storage Tank Volume		Weight & Tank	
	Class (m ³)	Actual (m ³)	Empty (t)	Full Water (t)
V50	50.0	54.5	4.8	59.2



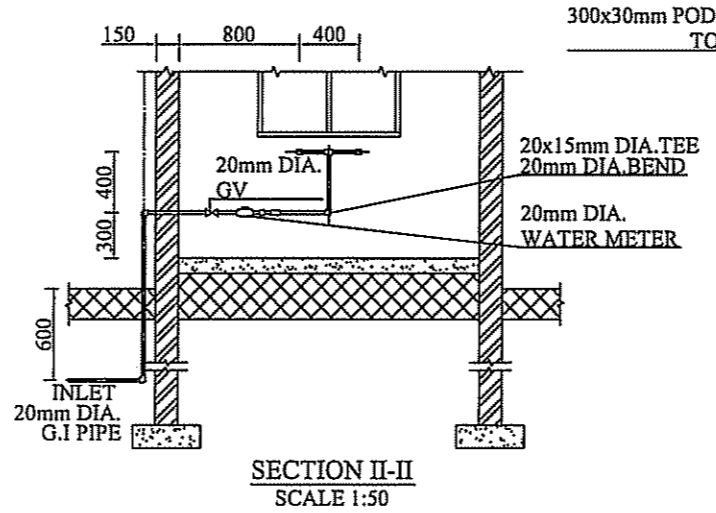
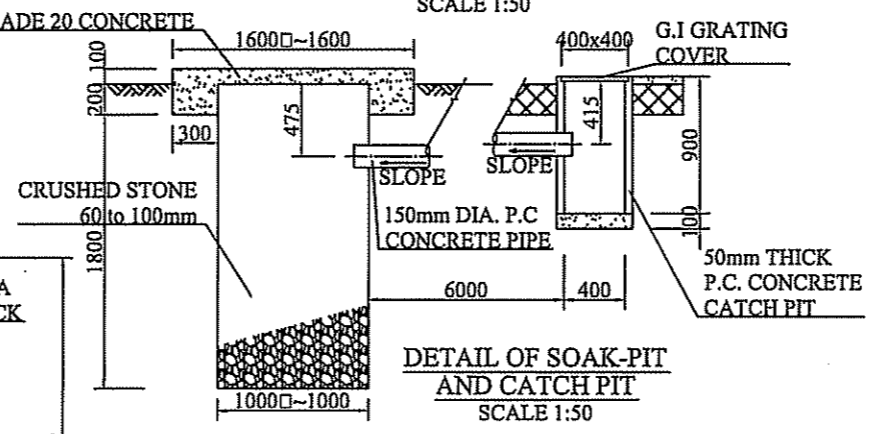
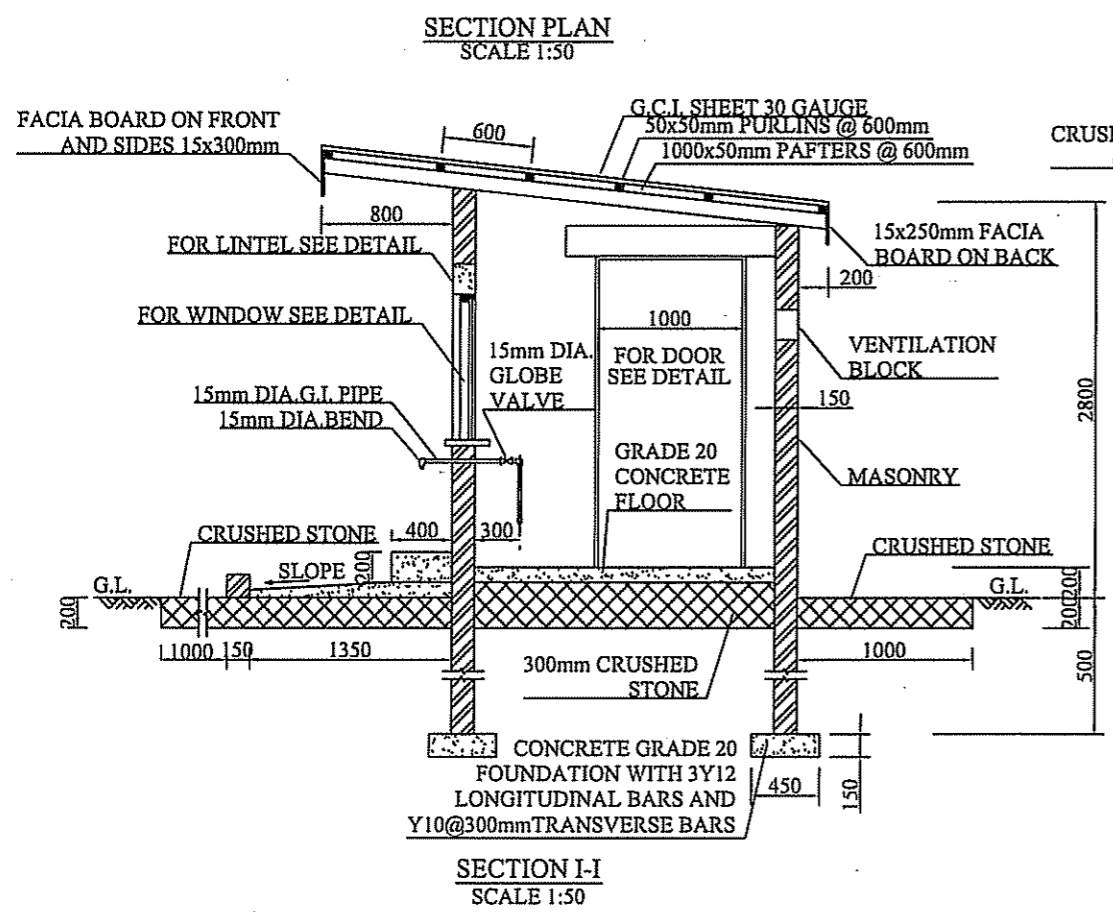
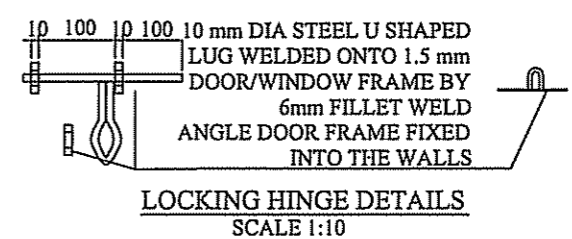
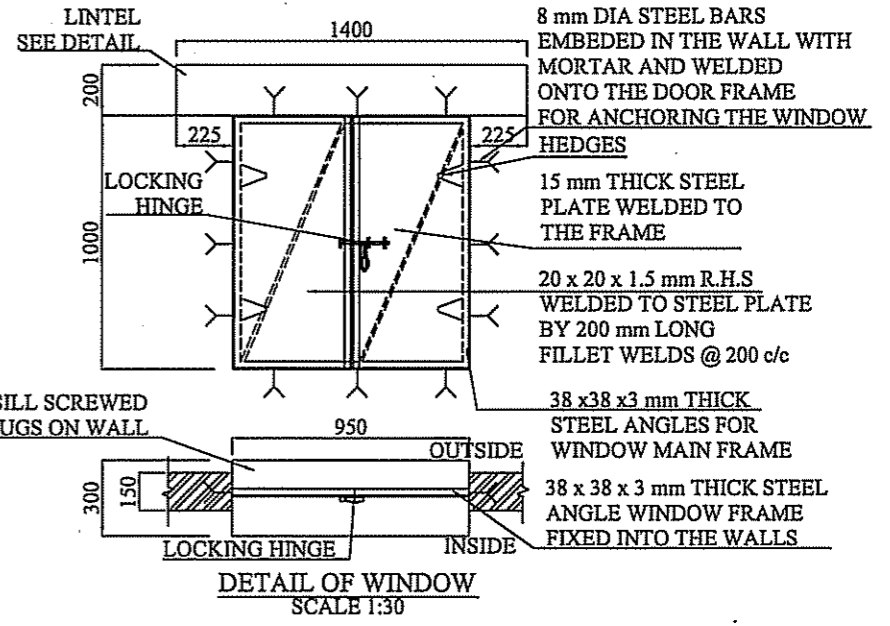
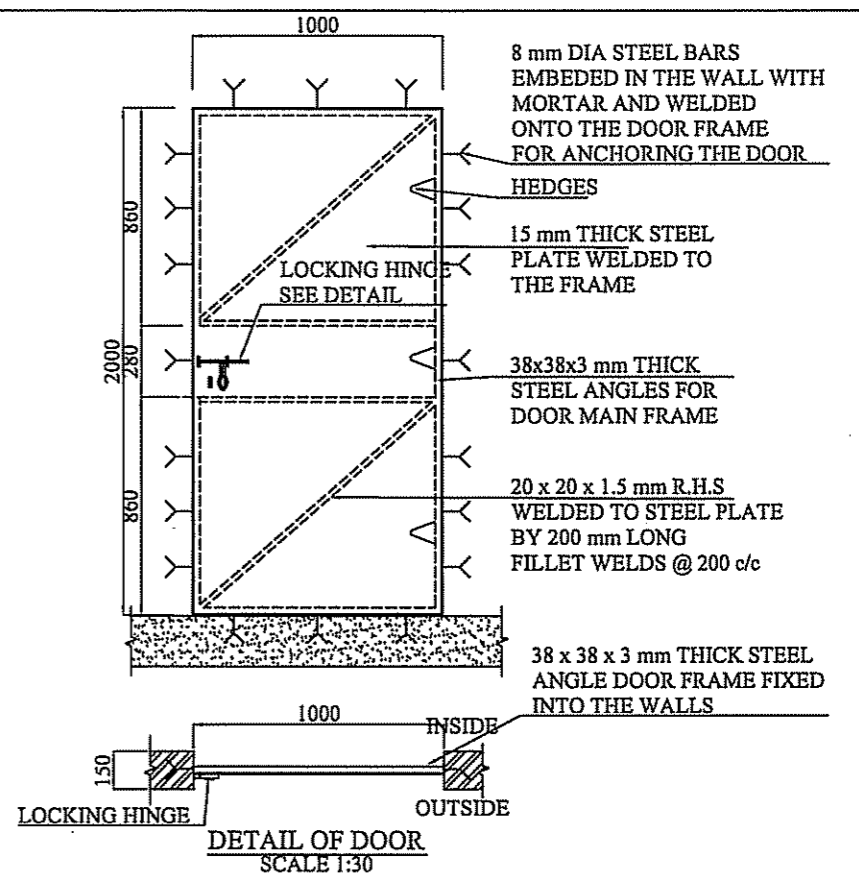
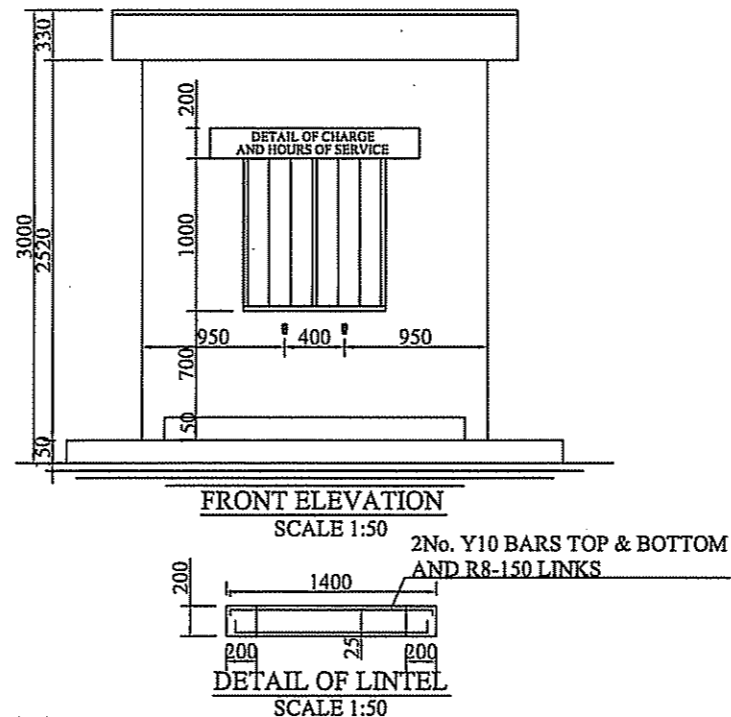
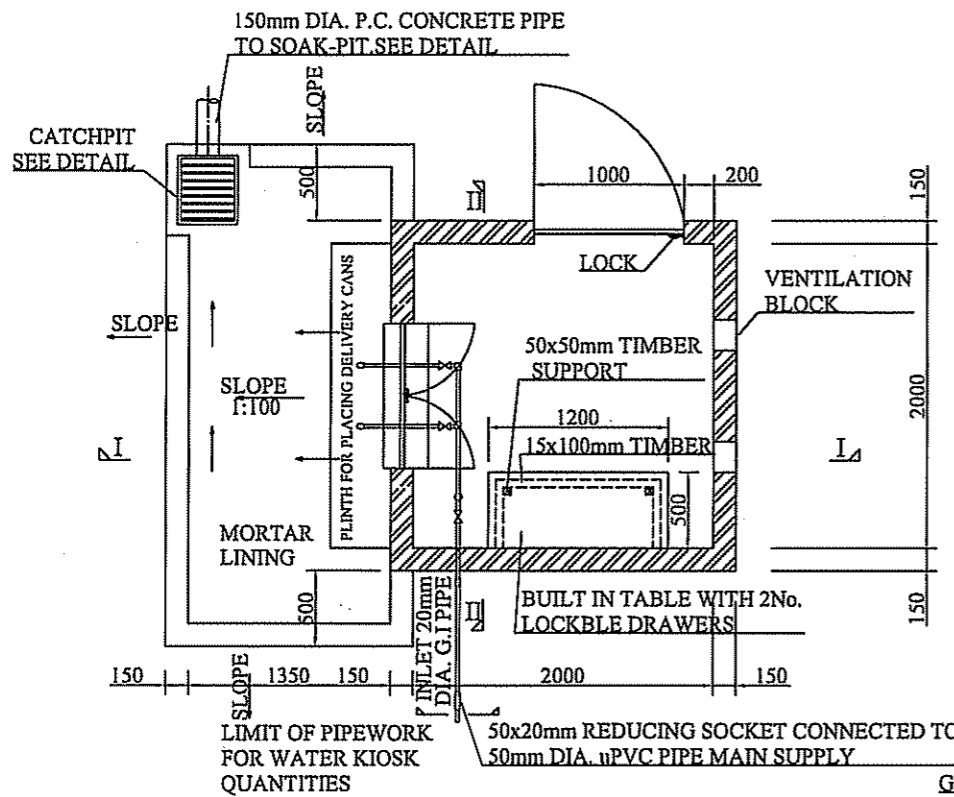
OWNER:
THE MINISTRY OF WATER AND IRRIGATION
THE REPUBLIC OF KENYA

PROJECT NAME:
THE PROJECT FOR
RURAL WATER SUPPLY

CONSULTING ENGINEERS:
 NIPPON KOEI CO., LTD.

TITLE:
REHABILITATION OF MORA SPRING WATER SUPPLY FACILITY
STORAGE TANK DETAILS (2/2)

SCALE 1:20 1:100	DATE FEB.2006	DRAWING NO. WSF-076
------------------------	------------------	------------------------



NOTE: FOR LOCATION OF THE WATER KIOSKS REFER TO DRAWING NO GE-002

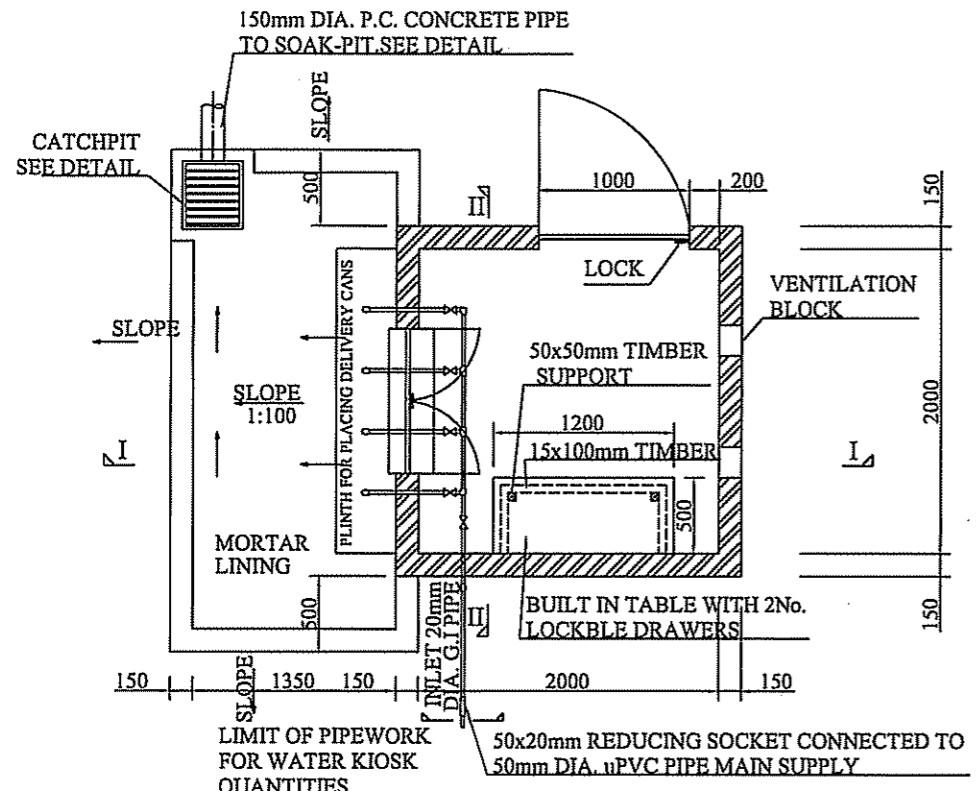
OWNER:
**THE MINISTRY OF WATER
THE REPUBLIC OF KENYA**

PROJECT NAME:
**THE PROJECT FOR
RURAL WATER SUPPLY**

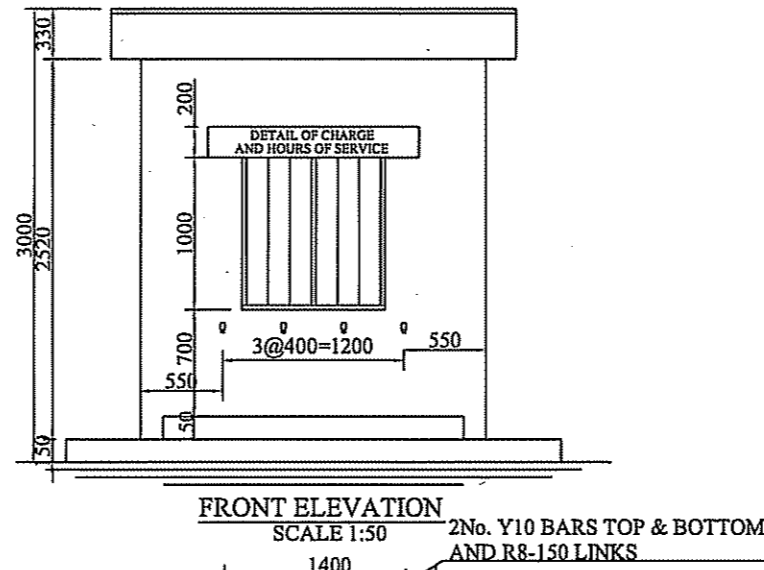
CONSULTING ENGINEERS:
 **NIPPON KOEI CO., LTD.**

TITLE:
**REHABILITATION OF MORA SPRING WATER SUPPLY FACILITY
WATER KIOSK DETAILS (TYPE A)**

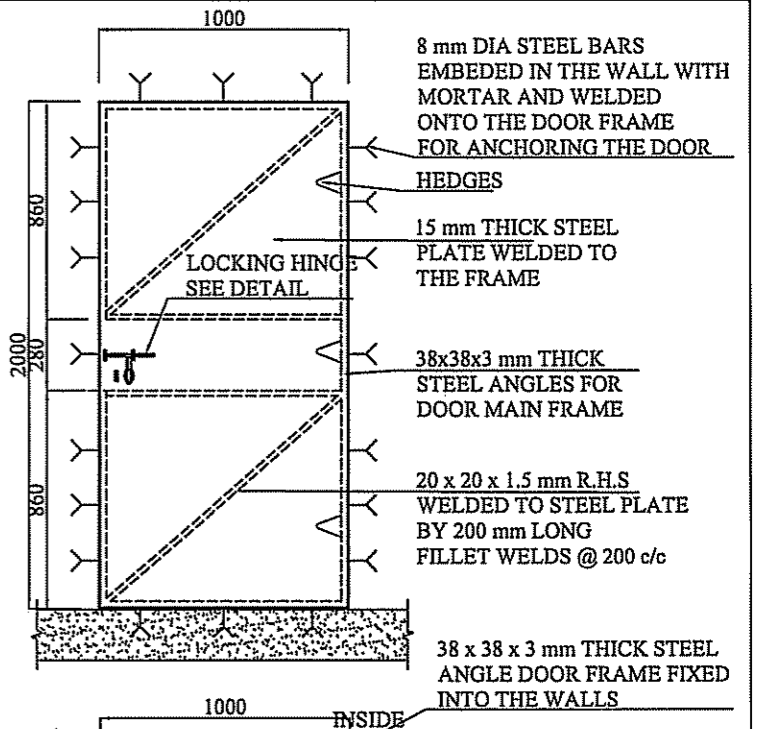
SCALE	DATE	DRAWING NO.
1:10 1:30 1:50	FEB.2006	WSF-077



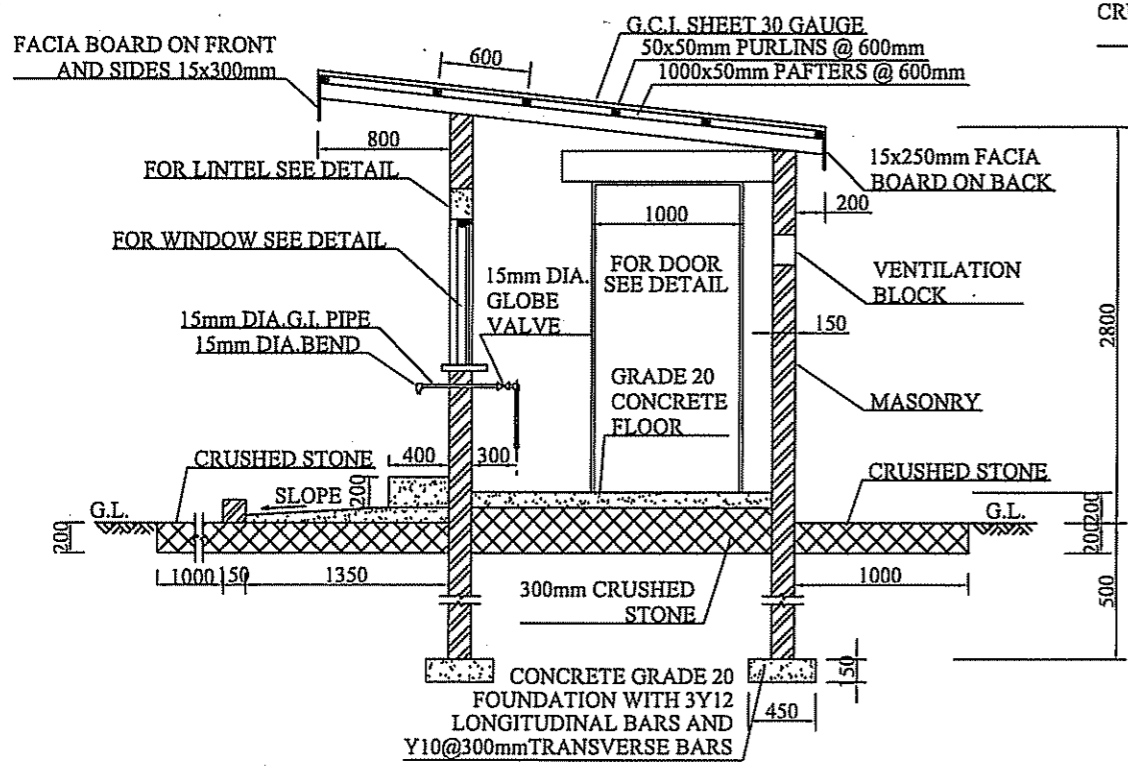
SECTION PLAN
SCALE 1:50



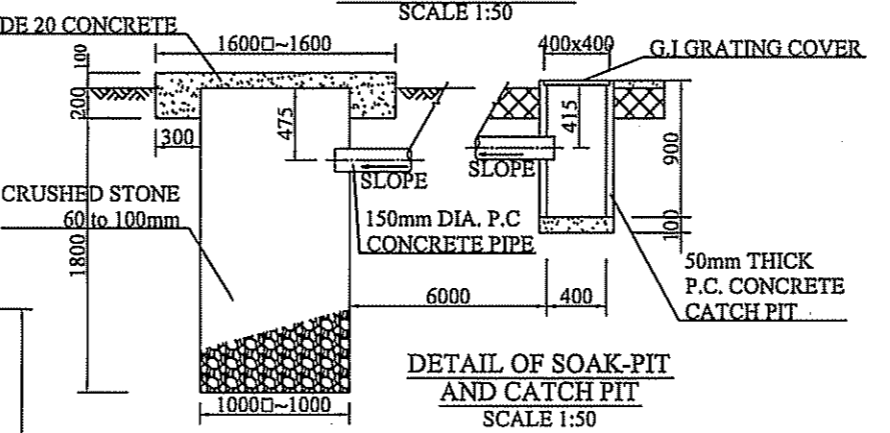
FRONT ELEVATION
SCALE 1:50



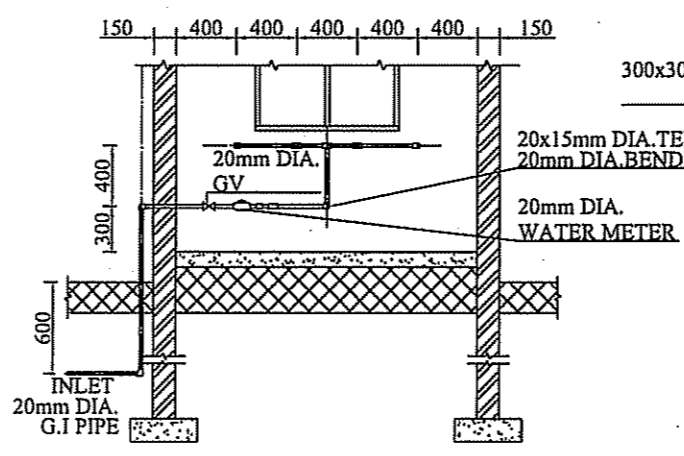
DETAIL OF DOOR
SCALE 1:30



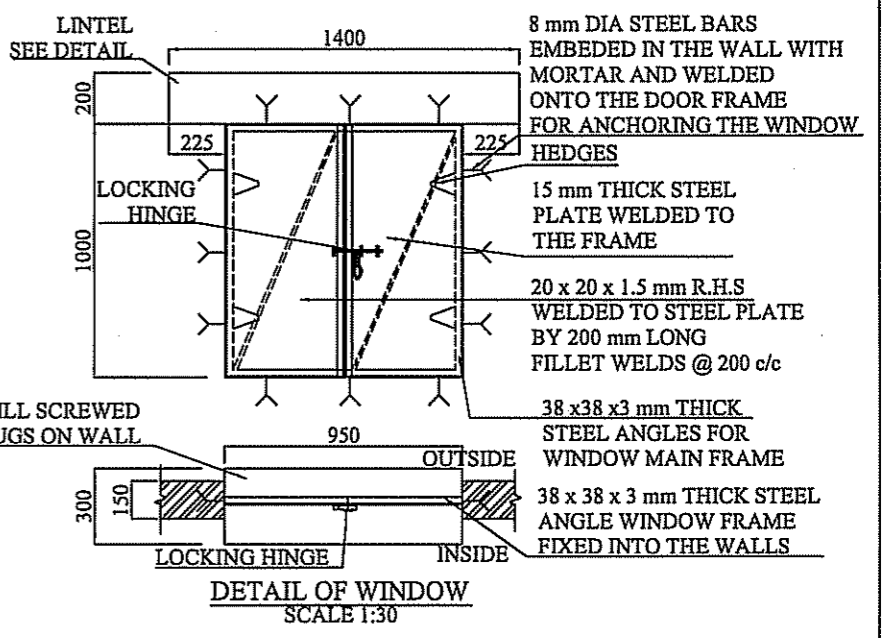
SECTION I-I
SCALE 1:50



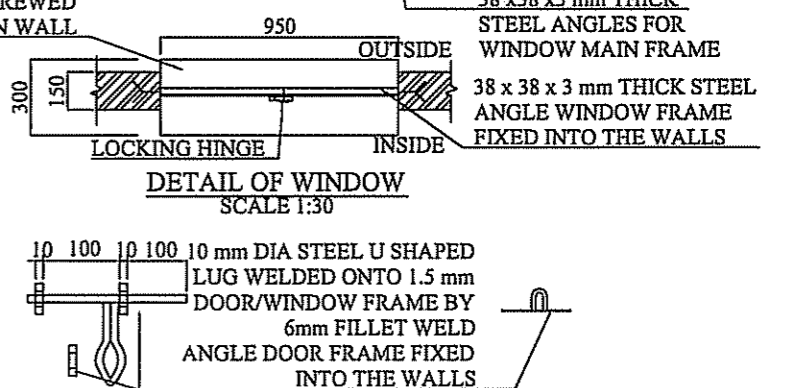
DETAIL OF SOAK-PIT
AND CATCH PIT
SCALE 1:50



SECTION II-II
SCALE 1:50




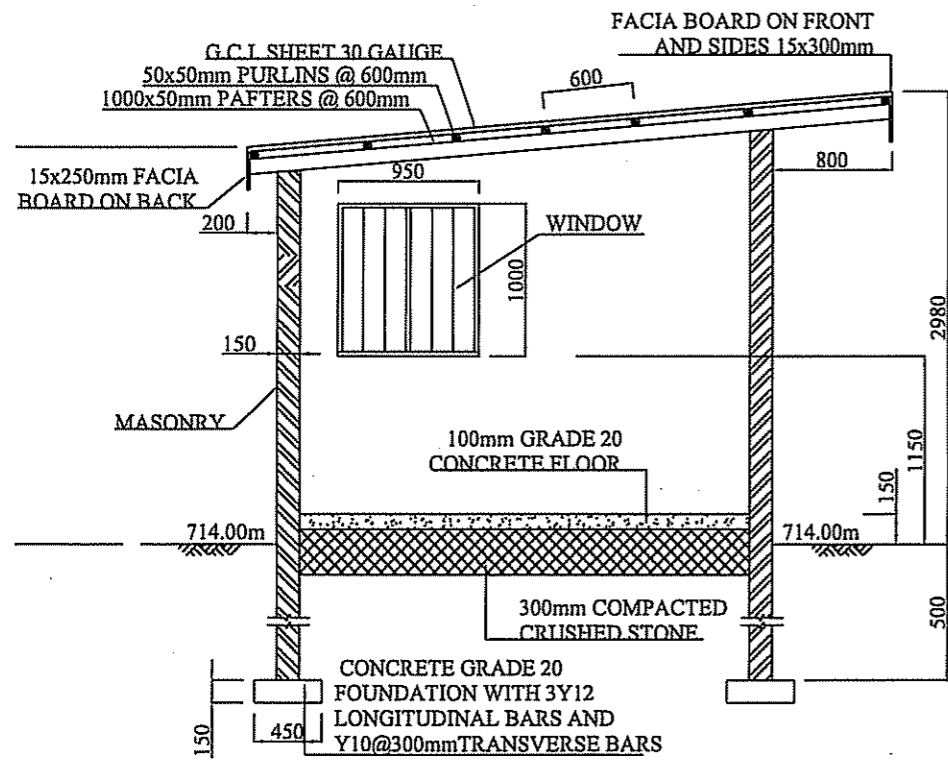
DETAIL OF WINDOW
SCALE 1:30



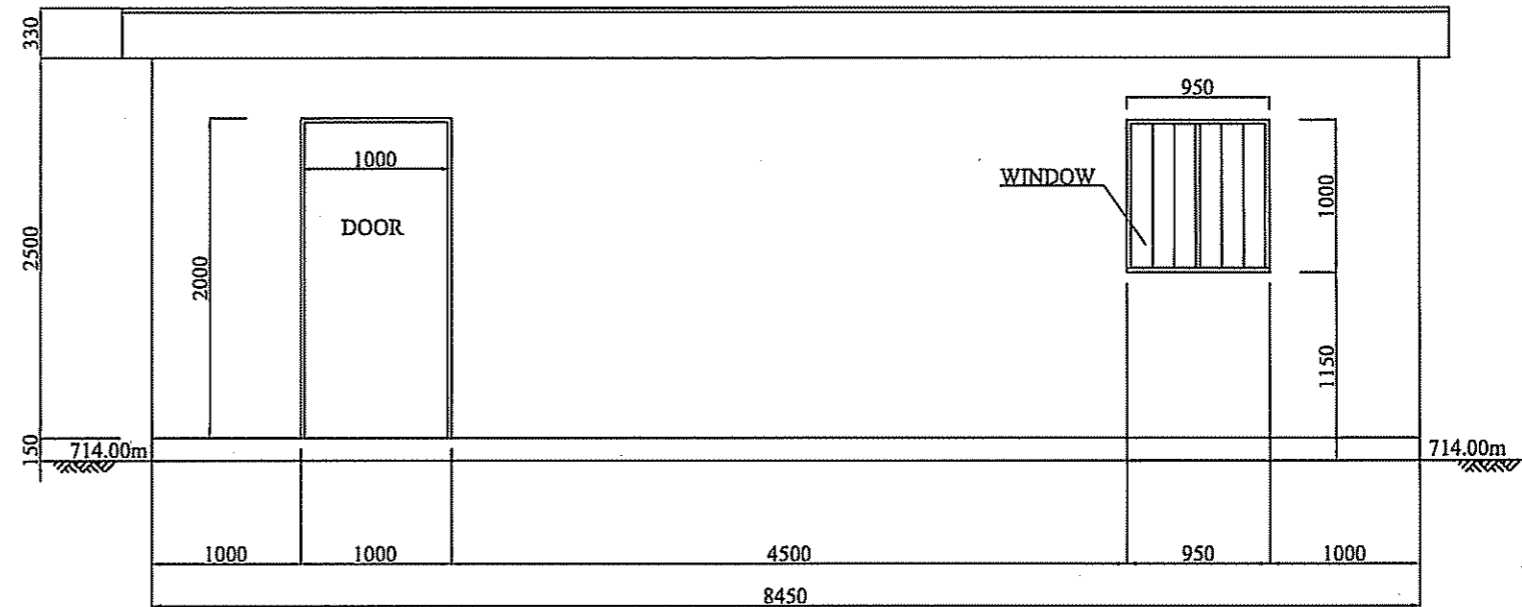
LOCKING HINGE DETAILS
SCALE 1:10

NOTE: FOR LOCATION OF THE WATER KIOSKS REFER TO DRAWING NO. GE-002

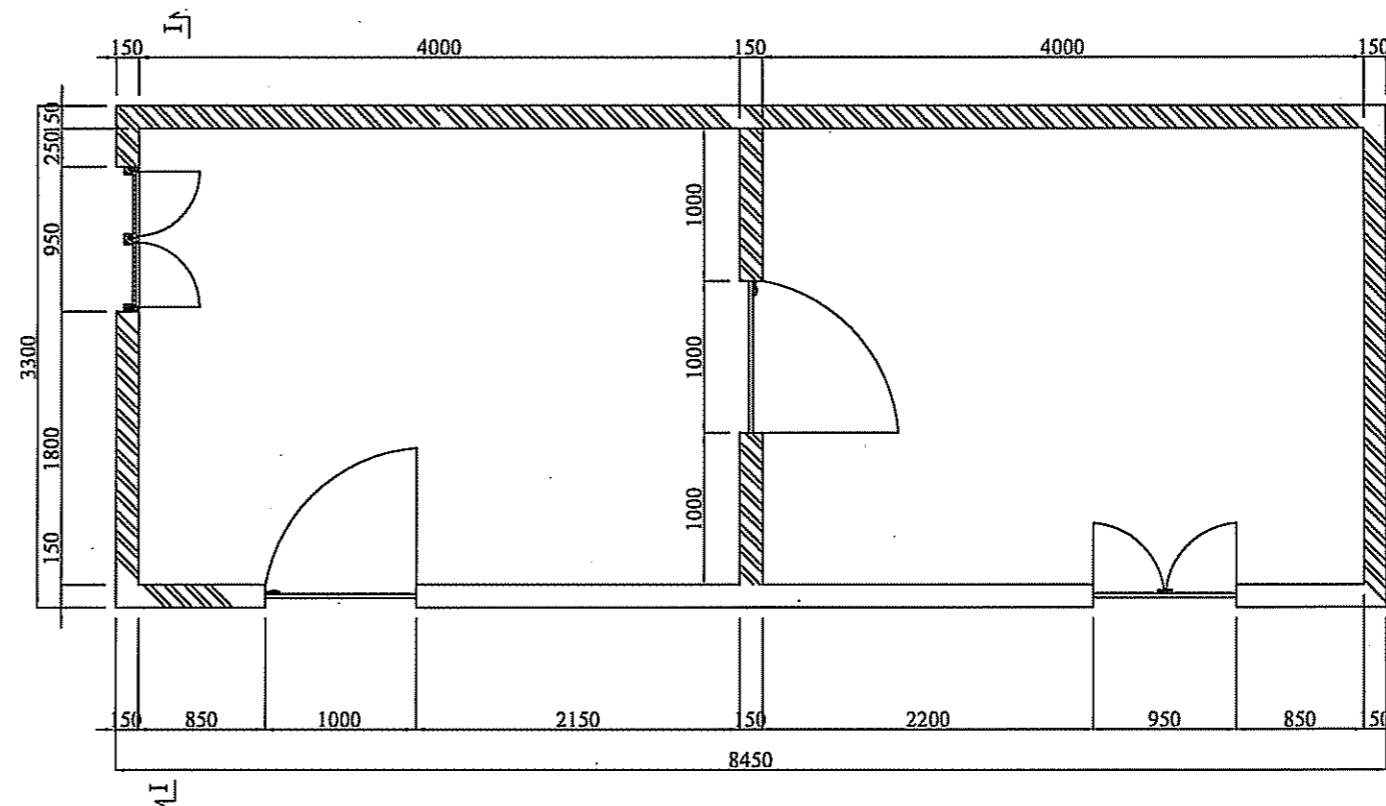
<p>OWNER: THE MINISTRY OF WATER THE REPUBLIC OF KENYA</p>	<p>PROJECT NAME: THE PROJECT FOR RURAL WATER SUPPLY</p>	<p>CONSULTING ENGINEERS:  NIPPON KOEI CO.,LTD.</p>	<p>TITLE: REHABILITATION OF MORA SPRING WATER SUPPLY FACILITY WATER KIOSK DETAILS (TYPE B)</p> <table border="1"> <tr> <td data-bbox="2131 1915 2366 2032">SCALE 1:30 1:50</td> <td data-bbox="2366 1915 2601 2032">DATE FEB.2006</td> <td data-bbox="2601 1915 2837 2032">DRAWING NO. WSF-078</td> </tr> </table>	SCALE 1:30 1:50	DATE FEB.2006	DRAWING NO. WSF-078
SCALE 1:30 1:50	DATE FEB.2006	DRAWING NO. WSF-078				



SECTION I-I
SCALE 1:50



FRONT ELEVATION
SCALE 1:50



PLAN
SCALE 1:50

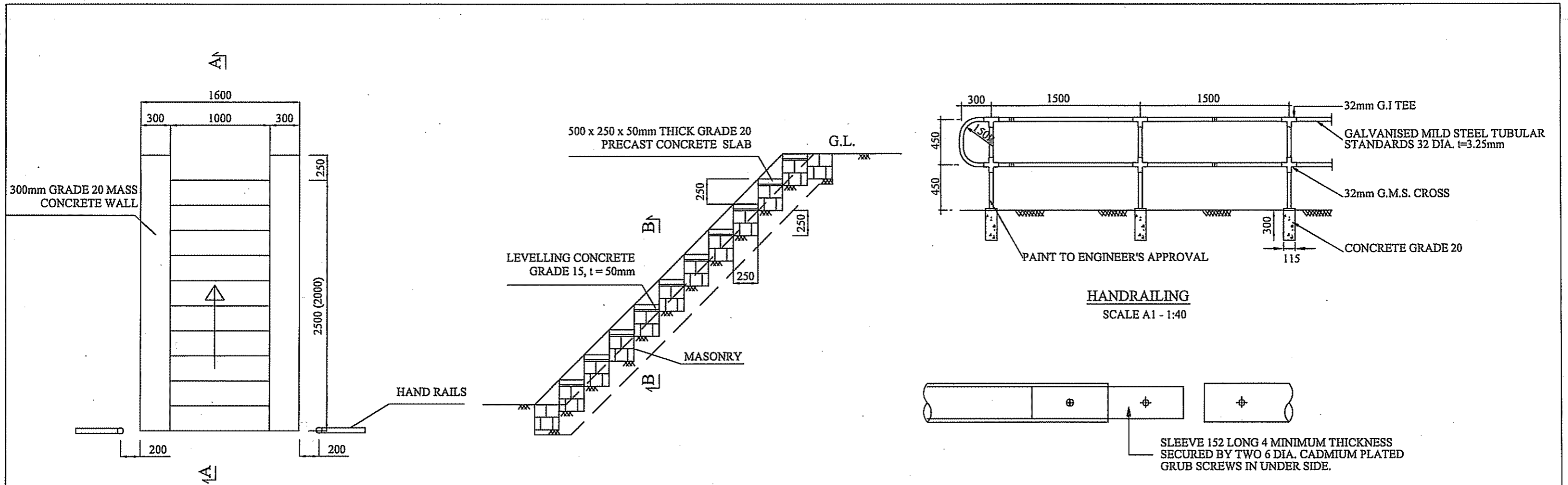
OWNER:
THE MINISTRY OF WATER AND IRRIGATION
THE REPUBLIC OF KENYA

PROJECT NAME:
THE PROJECT FOR
RURAL WATER SUPPLY

CONSULTING ENGINEERS:
 NIPPON KOEI CO., LTD.

TITLE:
REHABILITATION OF MORA SPRING WATER SUPPLY FACILITY
MAINTENANCE OFFICE

SCALE	DATE	DRAWING NO.
1:50	FEB.2006	WSF-079

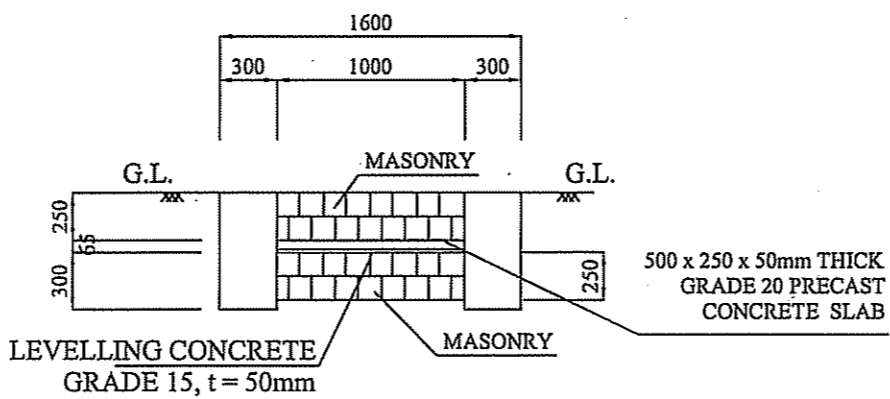


STAIRCASE PLAN
SCALE 1:50

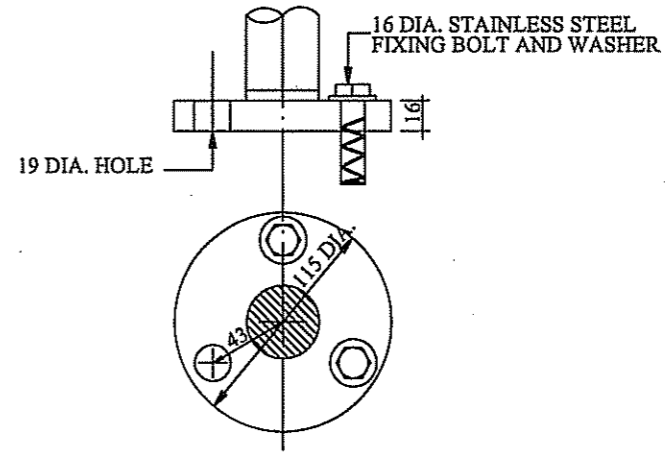
SECTION A-A
SCALE 1:50

HANDRAILING
SCALE A1 - 1:40

TUBULAR HANDRAILING JOINT
SCALE - 1:4



SECTION B-B
SCALE 1:50



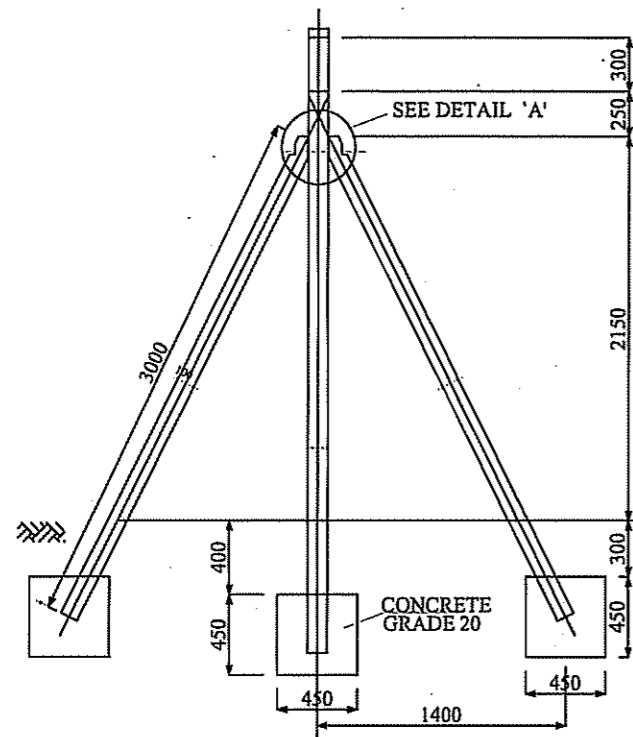
ROUND BASE
SCALE - 1:4

OWNER:
THE MINISTRY OF WATER AND IRRIGATION
THE REPUBLIC OF KENYA

PROJECT NAME:
THE PROJECT FOR
RURAL WATER SUPPLY

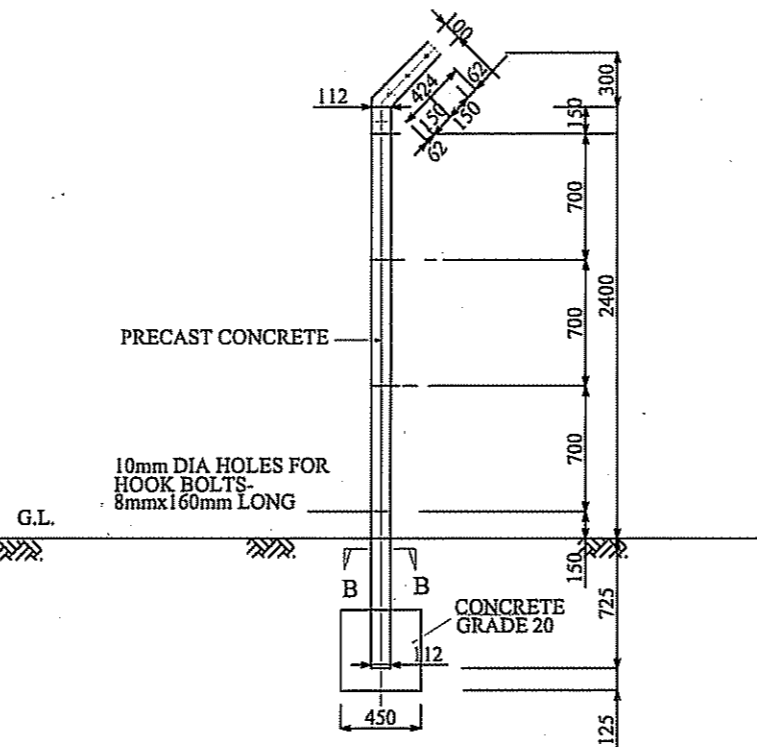
CONSULTING ENGINEERS:
 NIPPON KOEI CO.,LTD.

TITLE: REHABILITATION OF MORA SPRING WATER SUPPLY FACILITY DETAILS OF STAIRCASE AND HAND RAIL		
SCALE	DATE	DRAWING NO.
1:4	FEB.2006	WSF-080
1:40		
1:50		



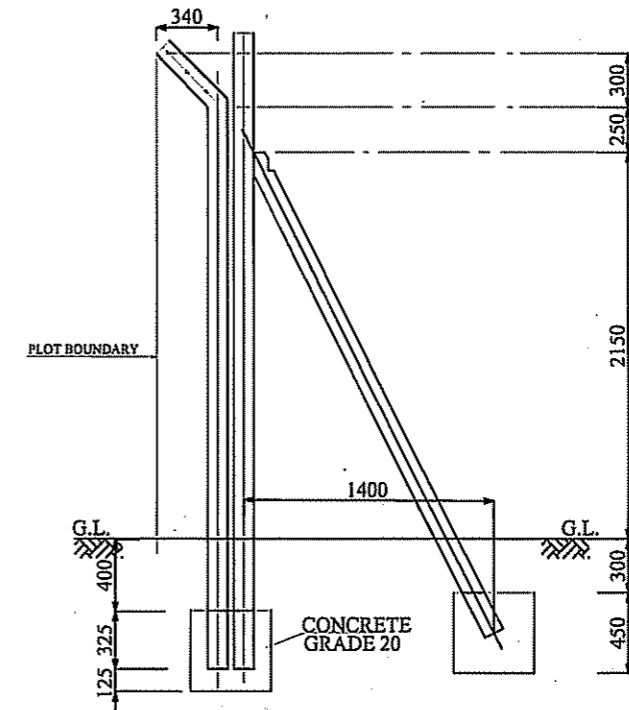
DETAILS OF STRAINING P.C.C. POST FOR
CHAIN LINK FENCE AT 33.3m. C/C

SCALE 1:40



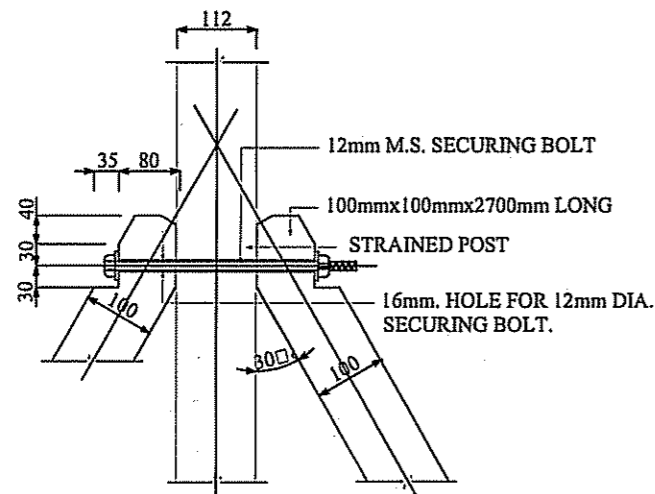
DETAILS OF SINGLE P.C.C.
POST AT 3.30m C/C

SCALE 1:40



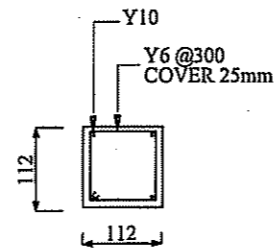
DETAILS OF CORNER POSTS

SCALE 1:40



DETAIL 'A'

SCALE 1:10



SECTION B-B

SCALE 1:5

NOTES

- a) APPROXIMATELY EVERY 10th POST TO BE STRAINED
- b) POST TO BE AT 3300mm CENTRES
- c) CONCRETE MIXES FOR:
 1. POSTS GRADE 20
 2. STRAINER POSTS GRADE 20
 3. FOUNDATION BLOCK GRADE 20
- d) CHAIN LINK TO BE IN GAUGE 12 GALVANISED STEEL WIRE.
- e) STRAINING WIRES TO BE 12 GAUGE GALVANISED STEEL PLAIN WIRES.
- f) WIRES ON CRANK TO BE 12 GAUGE GALVANISED STEEL BARBED WIRE.
- g) ALL STRUCTURAL OPENING DIMENSIONS TO BE CONFIRMED ON SITE BEFORE COMMENCING ANY FABRICATION
- h) STRAINING WIRES TO BE FIXED TO POST WITH GALVANIZED HOOK BOLTS 8mm DIA. x 60mm LONG
- i) ALL DIMENSIONS ARE IN mm. UNLESS OTHERWISE STATED.
- j) C/C = CENTRE TO CENTRE.
- k) CTs. = CENTRES.
- l) M.S. = MILD STEEL.
- m) P.C.C. = PRECAST CEMENT CONCRETE.
- n) R.H.S. = RECTANGULAR HOLLOW SECTION.

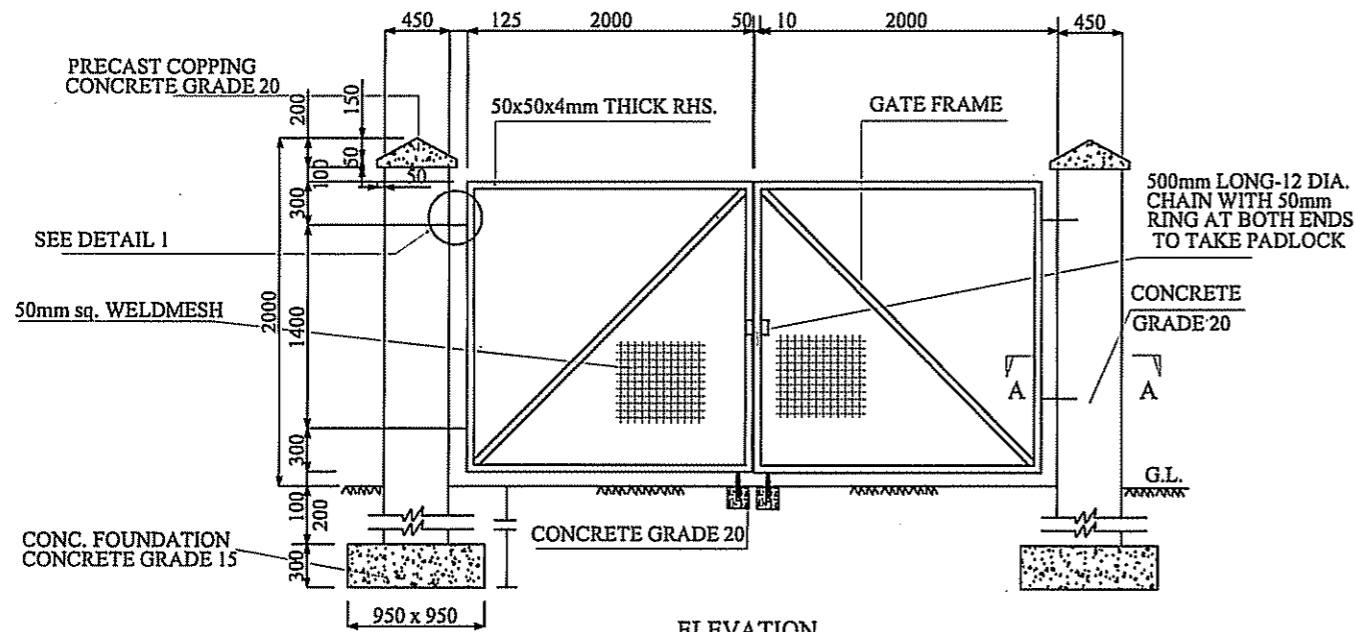
OWNER:
THE MINISTRY OF WATER AND IRRIGATION
THE REPUBLIC OF KENYA

PROJECT NAME:
THE PROJECT FOR
RURAL WATER SUPPLY

CONSULTING ENGINEERS:
 NIPPON KOEI CO., LTD.

TITLE:
REHABILITATION OF MORA SPRING WATER SUPPLY FACILITY
DETAILS OF FENCE

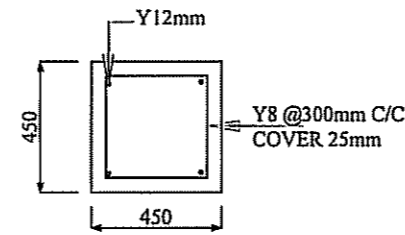
SCALE	DATE	DRAWING NO.
1:5 1:40	FEB.2006	WSF-081



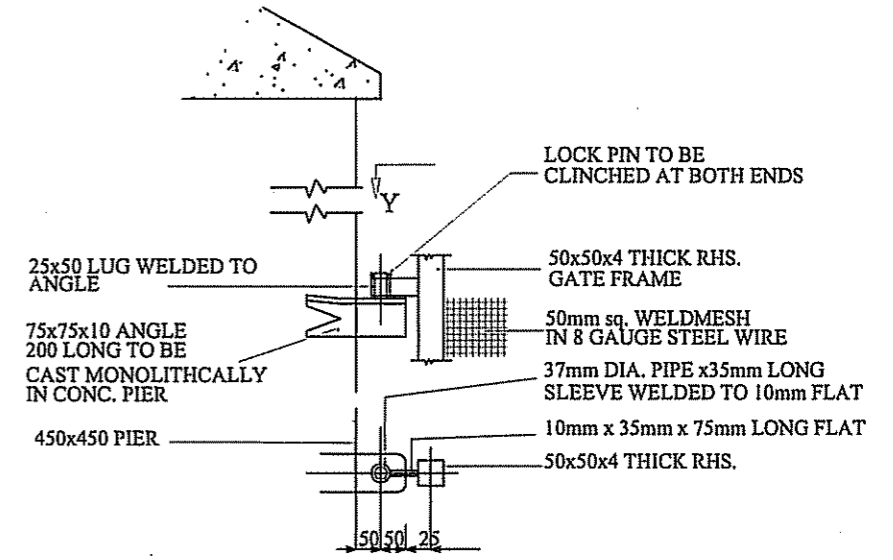
ELEVATION
SCALE 1:50

DETAILS OF 4m WIDE GATE

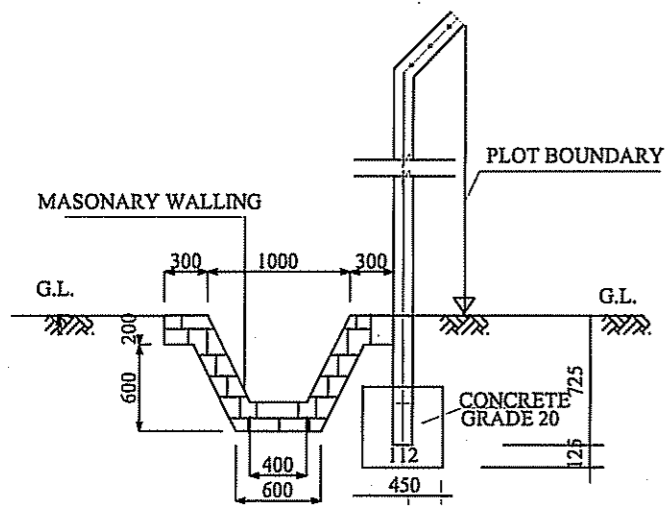
NOTE:
ALL STEEL WORK TO BE CLEANED
OF RUST AND PAINTED
TO ENGINEERS SATISFACTION



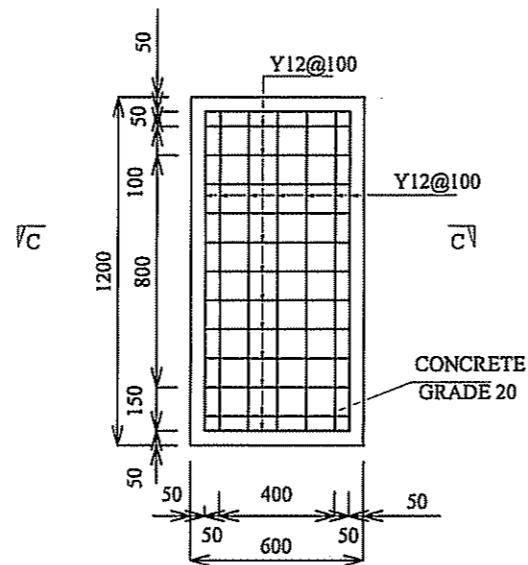
SECTION A-A
SCALE 1:25



DETAIL 1: GATE HINGE



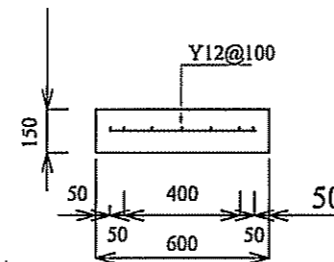
DETAILS OF DRAIN DITCH
SCALE 1:40



PRECAST CONCRETE COVER OVER DRAIN AT GATE

SIZE 1.2x0.6x0.15m

SCALE 1:40



SECTION C-C

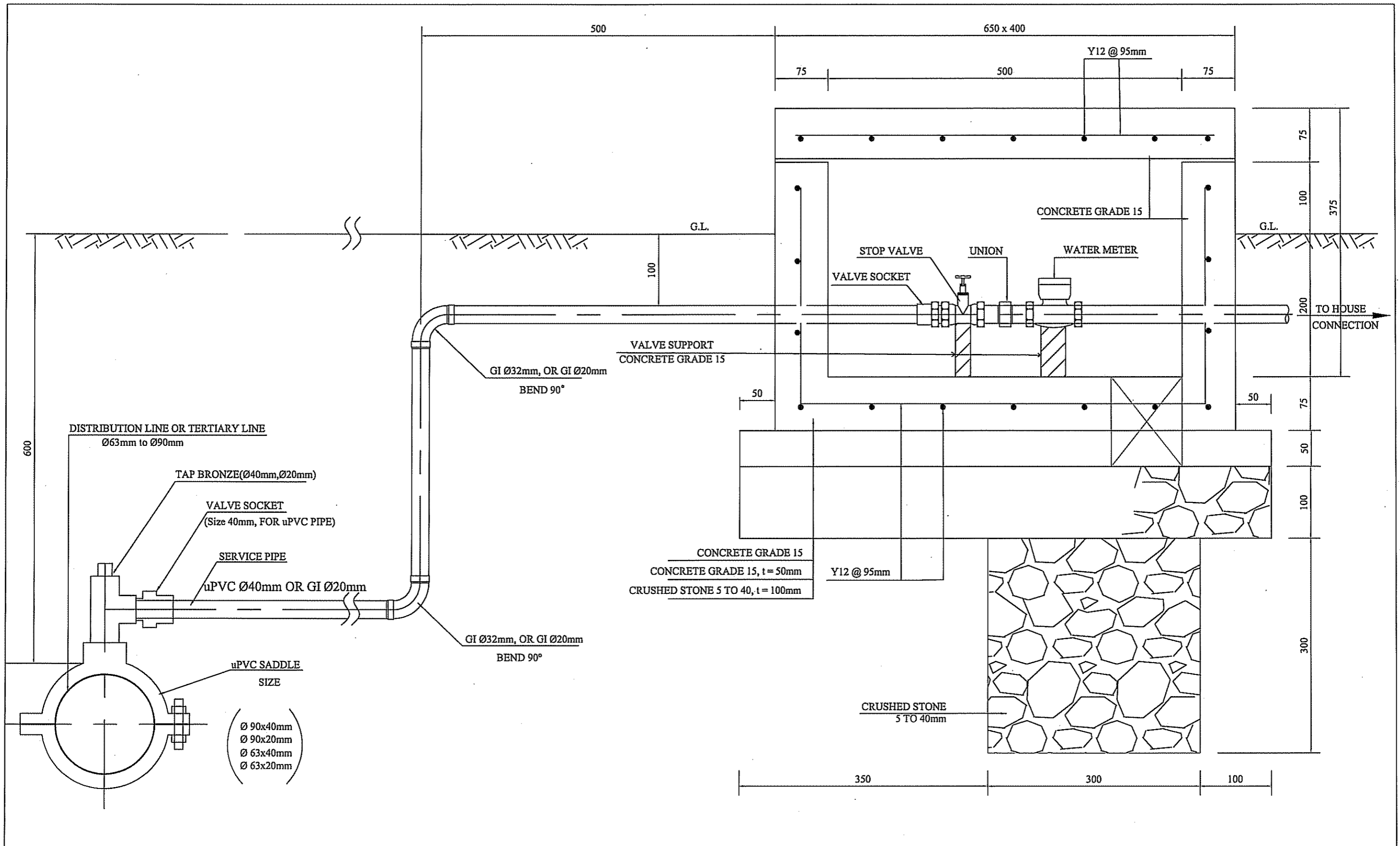
OWNER:
THE MINISTRY OF WATER AND IRRIGATION
THE REPUBLIC OF KENYA

PROJECT NAME:
THE PROJECT FOR
RURAL WATER SUPPLY

CONSULTING ENGINEERS:
 NIPPON KOEI CO., LTD.


TITLE:
REHABILITATION OF MORA SPRING WATER SUPPLY FACILITY
DETAILS OF GATE AND DRAIN

SCALE	DATE	DRAWING NO.
1:25 1:40 1:50	FEB. 2006	WSF-082



OWNER:
THE MINISTRY OF WATER AND IRRIGATION
THE REPUBLIC OF KENYA

PROJECT NAME:
THE PROJECT FOR
RURAL WATER SUPPLY

CONSULTING ENGINEERS:

NIPPON KOEI CO.,LTD.

TITLE:
REHABILITATION OF MORA SPRING WATER SUPPLY FACILITY
CONSUMER CONNECTION DETAILS

SCALE 1:5	DATE FEB.2006	DRAWING NO. WSF-083
--------------	------------------	------------------------