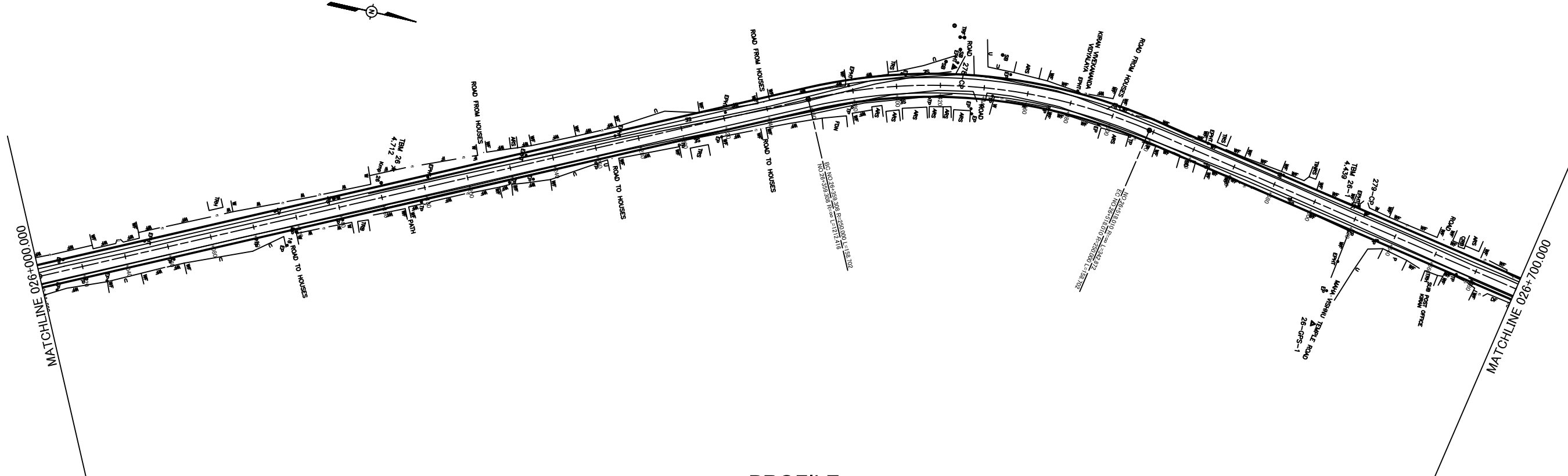
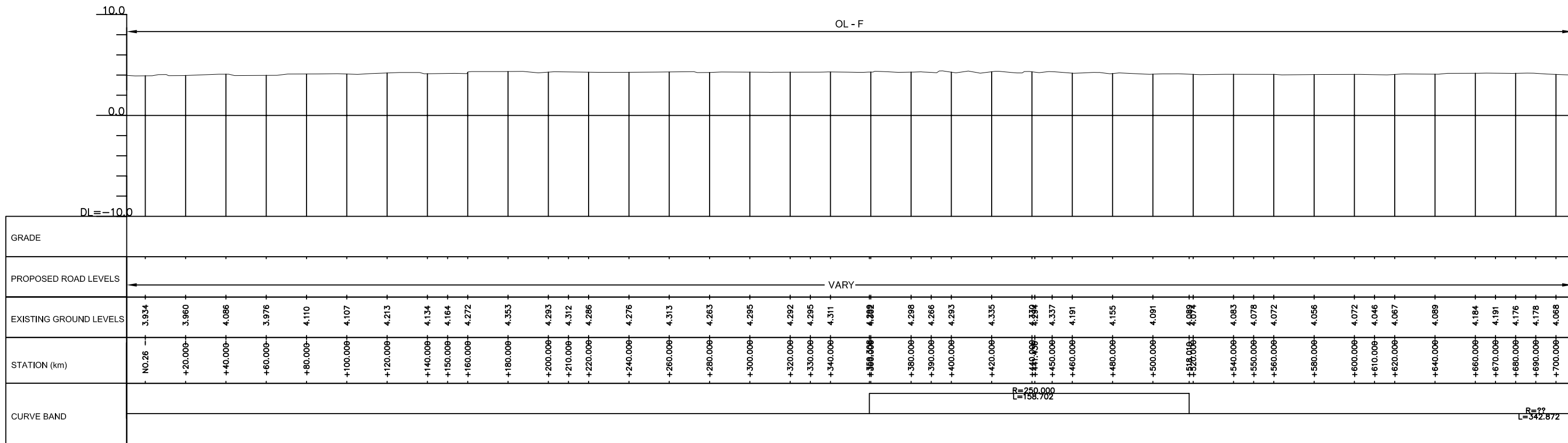


PLAN  
SCALE (1:2000)

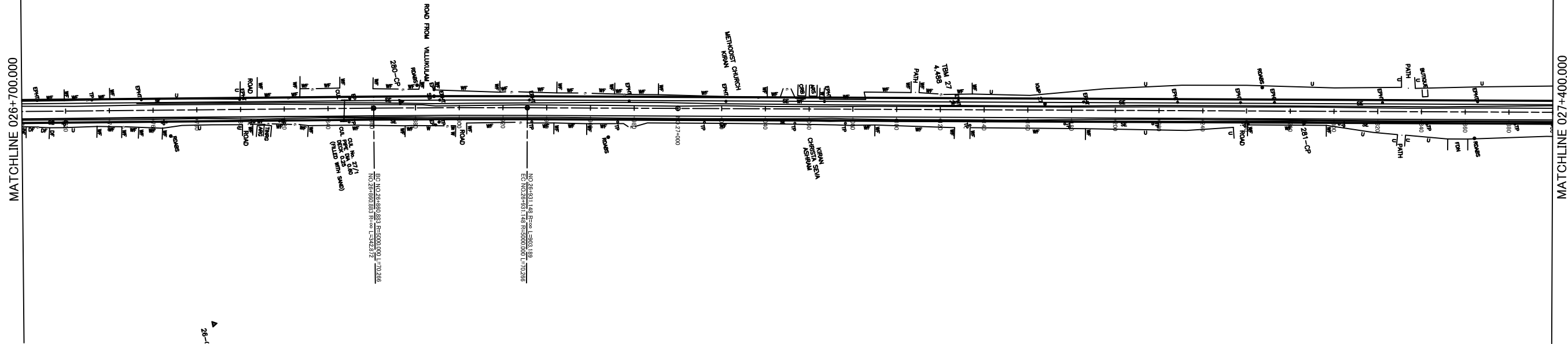


PROFILE  
SCALE ( H =1:2000 V = 1:400)

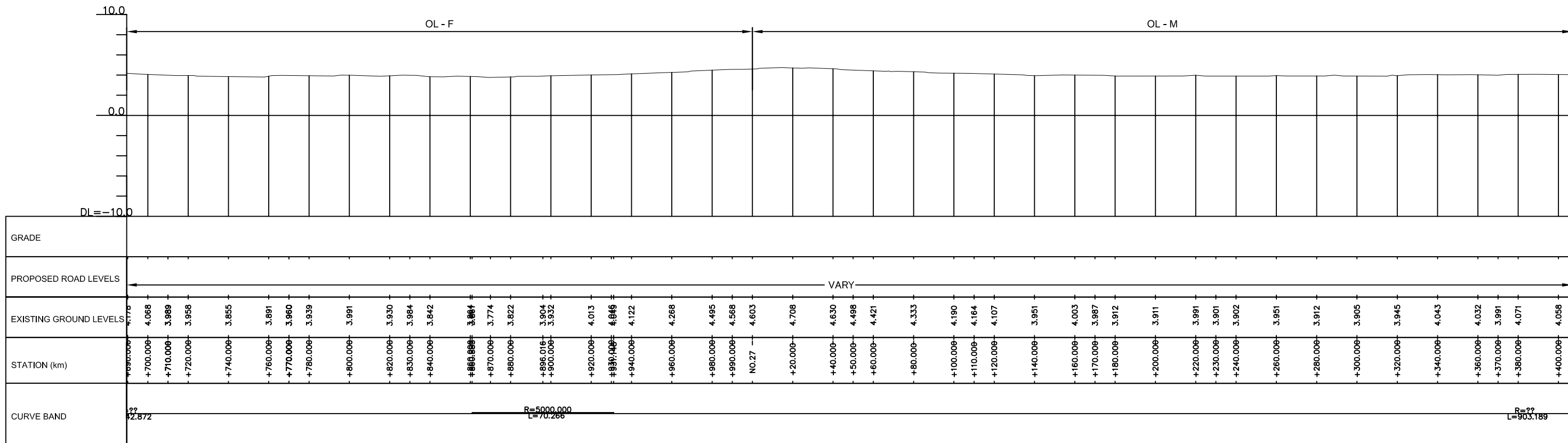


THE DEMOCRATIC SOCIALIST REPUBLIC OF SRI LANKA MINISTRY OF HIGHWAYS  	JAPAN INTERNATIONAL COOPERATION AGENCY ORIENTAL CONSULTANTS CO., LTD. NIPPON KOEI CO., LTD. JAPAN ENGINEERING CONSULTANTS CO., LTD.	THE PRO-POOR EASTERN INFRASTRUCTURE DEVELOPMENT PROJECT		DESIGNED BY:
		PLANE & PROFILE 026+000-026+700		CHECKED BY:
				APPROVED BY:
				DWG. NO. B-128
No	REVISION	DATE		

PLAN  
SCALE (1:2000)

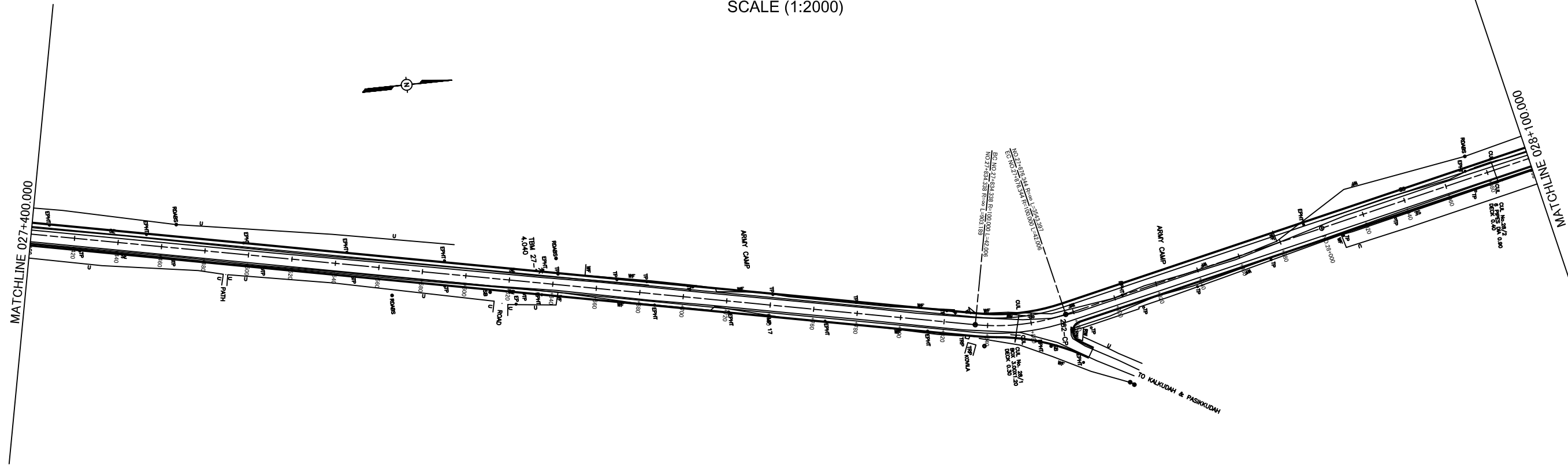


PROFILE  
SCALE ( H =1:2000 V = 1:400)

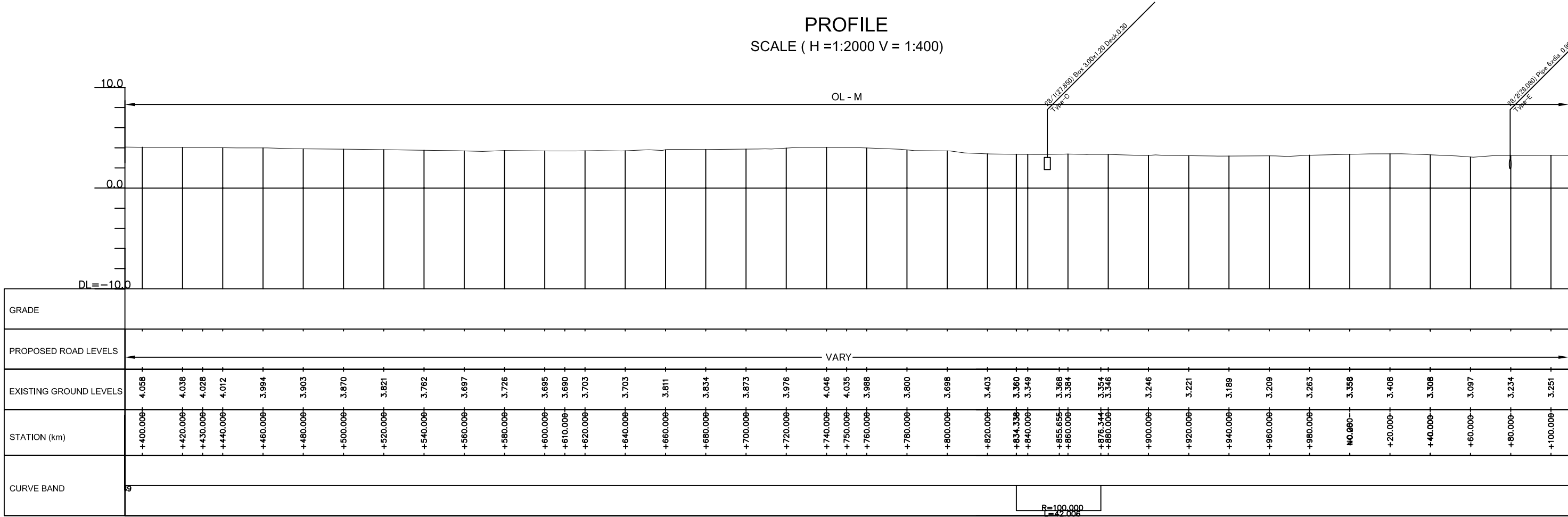


THE DEMOCRATIC SOCIALIST REPUBLIC OF SRI LANKA MINISTRY OF HIGHWAYS  	JAPAN INTERNATIONAL COOPERATION AGENCY ORIENTAL CONSULTANTS CO., LTD. NIPPON KOEI CO., LTD. JAPAN ENGINEERING CONSULTANTS CO., LTD.			THE PRO-POOR EASTERN INFRASTRUCTURE DEVELOPMENT PROJECT  PLANE & PROFILE 026+700-027+400		DESIGNED BY:	
						CHECKED BY:	
						APPROVED BY:	
		No	REVISION	DATE			DWG. NO. B-129

PLAN  
SCALE (1:2000)



PROFILE  
SCALE ( H =1:2000 V = 1:400)



THE DEMOCRATIC SOCIALIST REPUBLIC OF SRI LANKA  
MINISTRY OF HIGHWAYS

**Road Development Authority**

**JICA** JAPAN INTERNATIONAL COOPERATION AGENCY

**ORIENTAL CONSULTANTS CO., LTD.**

**NIPPON KOEI CO., LTD.**

**JEC** JAPAN ENGINEERING CONSULTANTS CO., LTD.

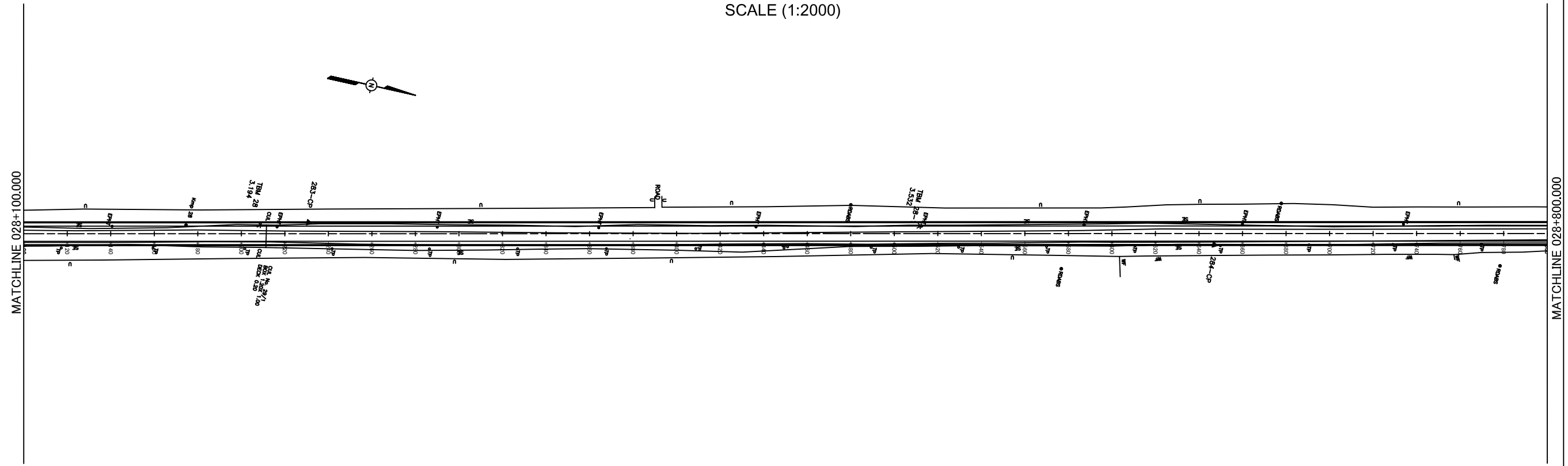
No	REVISION	DATE

THE PRO-POOR EASTERN INFRASTRUCTURE DEVELOPMENT PROJECT

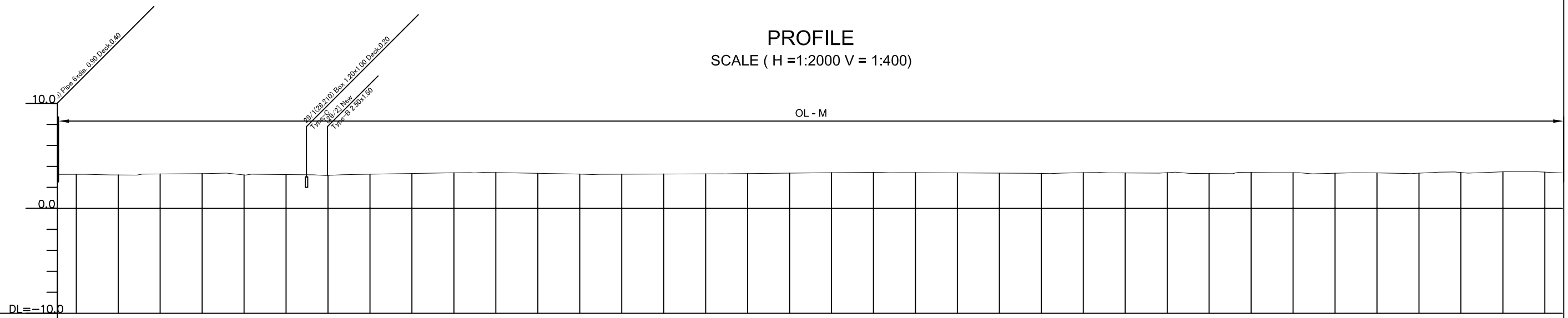
**PLANE & PROFILE**  
027+400~028+100

DESIGNED BY:	
CHECKED BY:	
APPROVED BY:	
DWG. NO.	B-130

PLAN  
SCALE (1:2000)



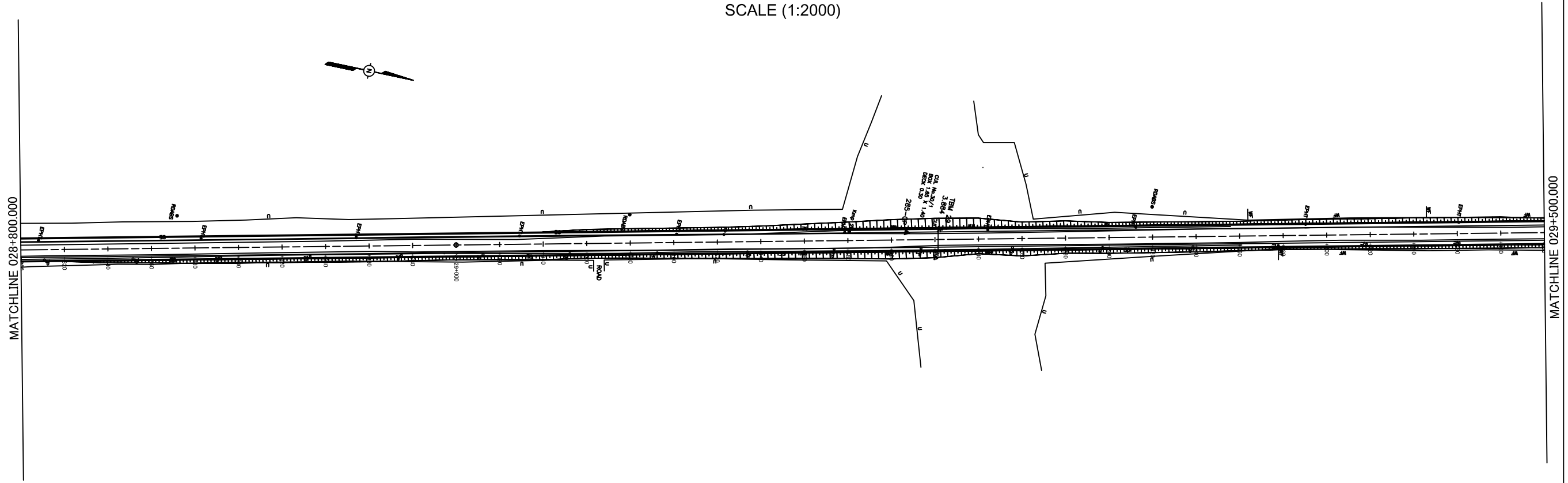
PROFILE  
SCALE ( H =1:2000 V = 1:400)



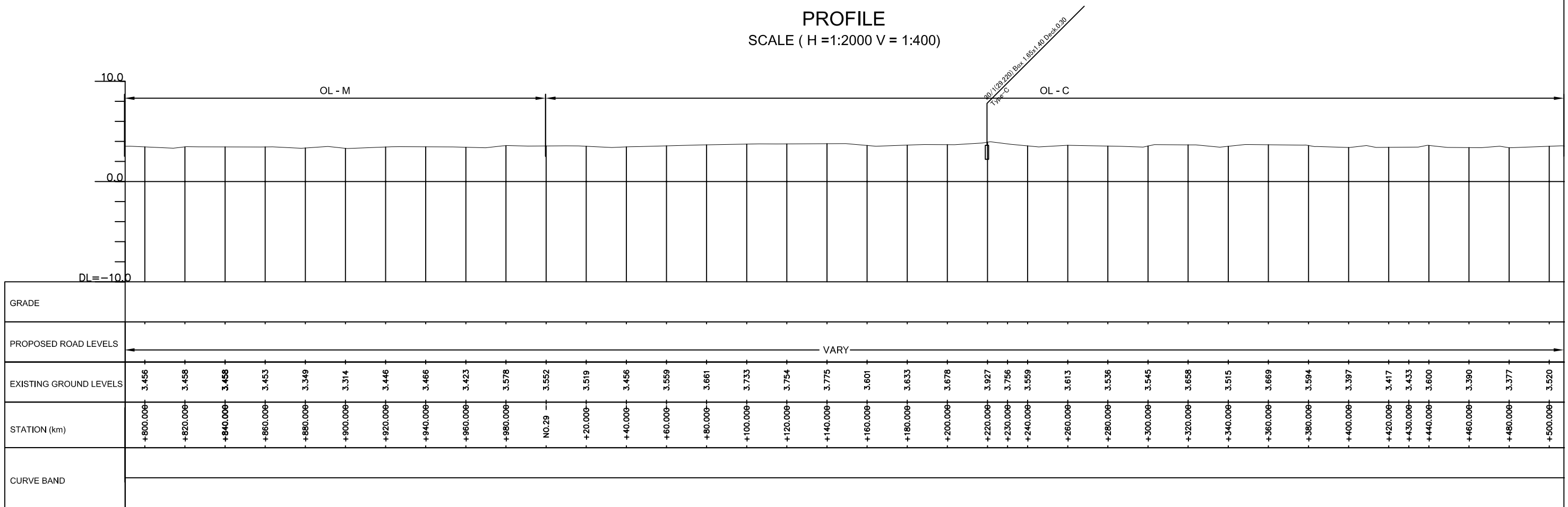
GRADE																																															
PROPOSED ROAD LEVELS	VARY																																														
EXISTING GROUND LEVELS	3.251	3.188	3.196	3.283	3.318	3.193	3.249	3.227	3.144	3.190	3.256	3.290	3.324	3.374	3.390	3.416	3.342	3.323	3.265	3.252	3.259	3.269	3.273	3.287	3.317	3.358	3.378	3.399	3.434	3.404	3.394	3.384	3.364	3.353	3.336	3.402	3.376	3.406	3.325	3.423	3.402	3.346	3.381	3.352	3.419	3.488	3.456
STATION (km)	+100.000	+120.000	+129.424	+140.000	+168.400	+180.000	+189.424	+200.000	+220.000	+225.000	+240.000	+250.000	+260.000	+275.000	+280.000	+300.000	+320.000	+325.000	+340.000	+350.000	+360.000	+375.000	+380.000	+400.000	+420.000	+440.000	+450.000	+460.000	+480.000	+500.000	+510.000	+520.000	+540.000	+550.000	+560.000	+580.000	+600.000	+620.000	+640.000	+660.000	+680.000	+700.000	+720.000	+740.000	+760.000	+780.000	+800.000
CURVE BAND																																															

THE DEMOCRATIC SOCIALIST REPUBLIC OF SRI LANKA MINISTRY OF HIGHWAYS  	JAPAN INTERNATIONAL COOPERATION AGENCY ORIENTAL CONSULTANTS CO., LTD. NIPPON KOEI CO., LTD. JAPAN ENGINEERING CONSULTANTS CO., LTD.		THE PRO-POOR EASTERN INFRASTRUCTURE DEVELOPMENT PROJECT  PLANE & PROFILE 028+100-028+800	DESIGNED BY:	
				CHECKED BY:	
				APPROVED BY:	
				DWG. NO.	B-131
		No	REVISION	DATE	

PLAN  
SCALE (1:2000)



PROFILE  
SCALE ( H =1:2000 V = 1:400)



THE DEMOCRATIC SOCIALIST REPUBLIC OF SRI LANKA  
MINISTRY OF HIGHWAYS

**jica** JAPAN INTERNATIONAL COOPERATION AGENCY  
 ORIENTAL CONSULTANTS CO., LTD.  
 NIPPON KOEI CO., LTD.  
 JAPAN ENGINEERING CONSULTANTS CO., LTD.

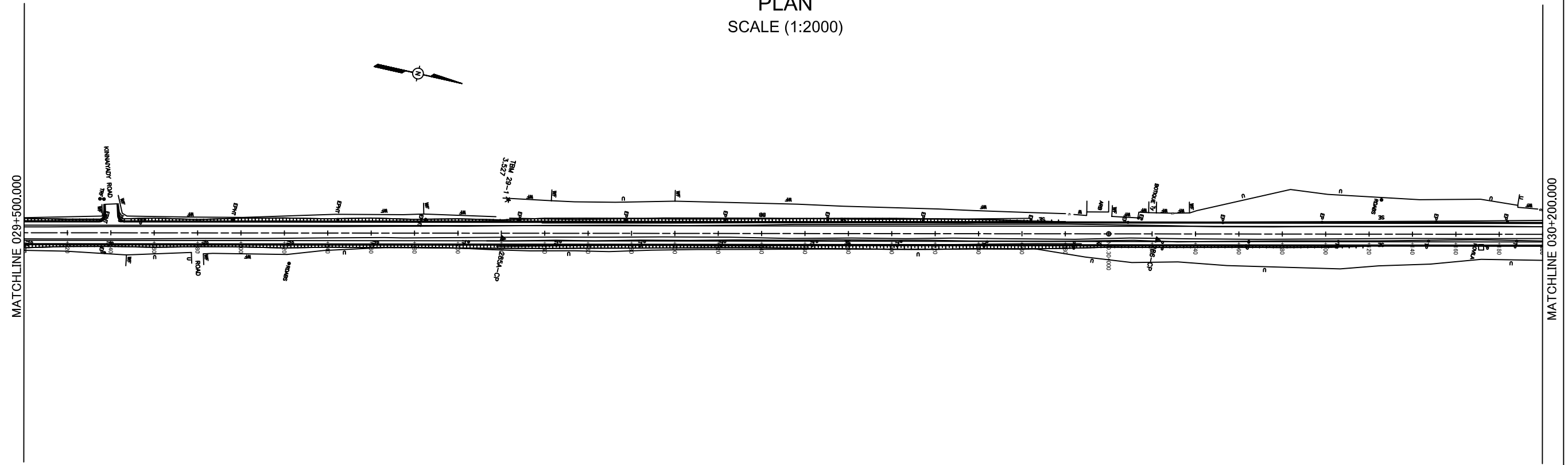
No	REVISION	DATE

THE PRO-POOR EASTERN INFRASTRUCTURE DEVELOPMENT PROJECT

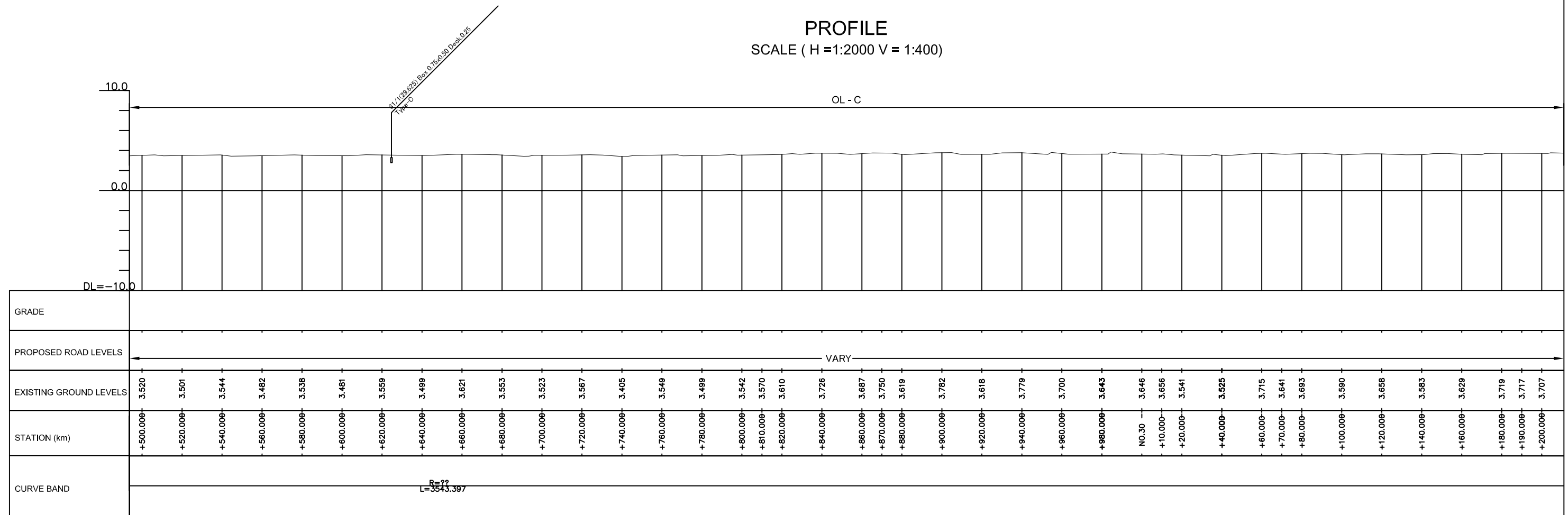
PLANE & PROFILE  
028+800~029+500

DESIGNED BY:	
CHECKED BY:	
APPROVED BY:	
DWG. NO.	B-132

PLAN  
SCALE (1:2000)

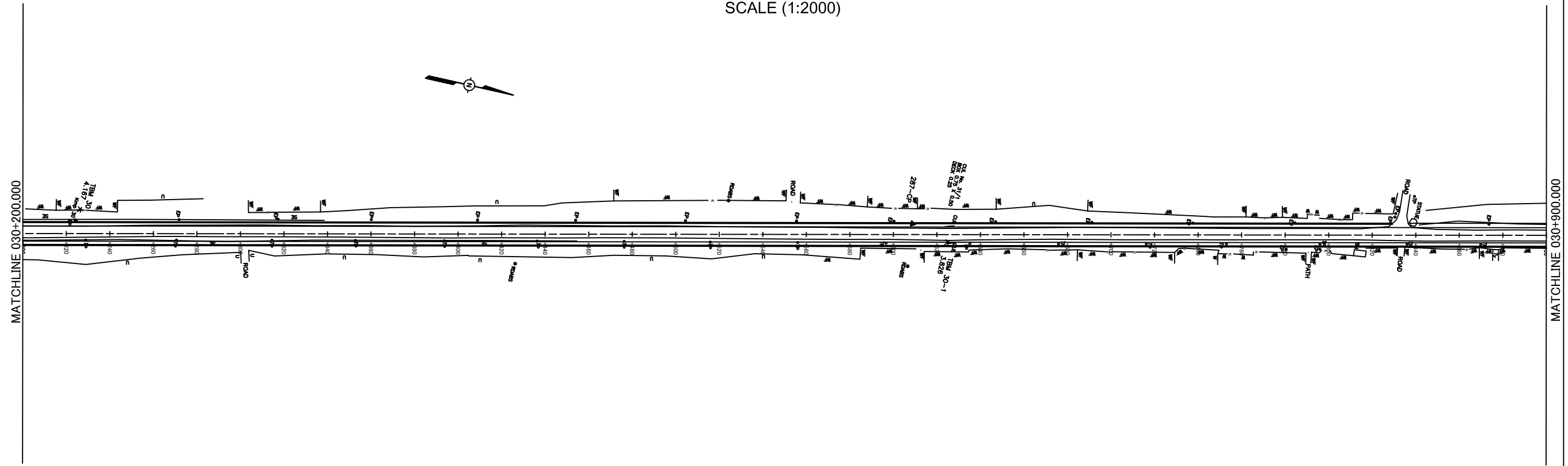


PROFILE  
SCALE ( H =1:2000 V = 1:400)

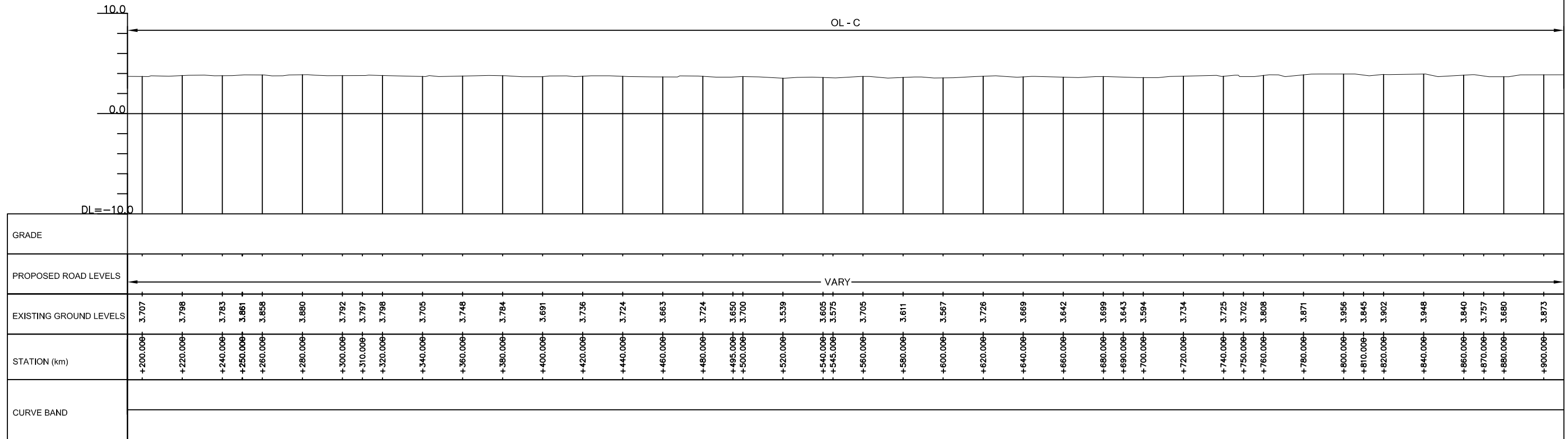


THE DEMOCRATIC SOCIALIST REPUBLIC OF SRI LANKA MINISTRY OF HIGHWAYS  	JAPAN INTERNATIONAL COOPERATION AGENCY ORIENTAL CONSULTANTS CO., LTD. NIPPON KOEI CO., LTD. JAPAN ENGINEERING CONSULTANTS CO., LTD.	No.                      REVISION                      DATE	THE PRO-POOR EASTERN INFRASTRUCTURE DEVELOPMENT PROJECT		DESIGNED BY:
			PLANE & PROFILE 029+500~030+200		CHECKED BY:
					APPROVED BY:
					DWG. NO.                      B-133

PLAN  
SCALE (1:2000)



PROFILE  
SCALE ( H =1:2000 V = 1:400)



THE DEMOCRATIC SOCIALIST REPUBLIC OF SRI LANKA  
MINISTRY OF HIGHWAYS



JAPAN INTERNATIONAL COOPERATION AGENCY  
 ORIENTAL CONSULTANTS CO., LTD.  
 NIPPON KOEI CO., LTD.  
 JAPAN ENGINEERING CONSULTANTS CO., LTD.

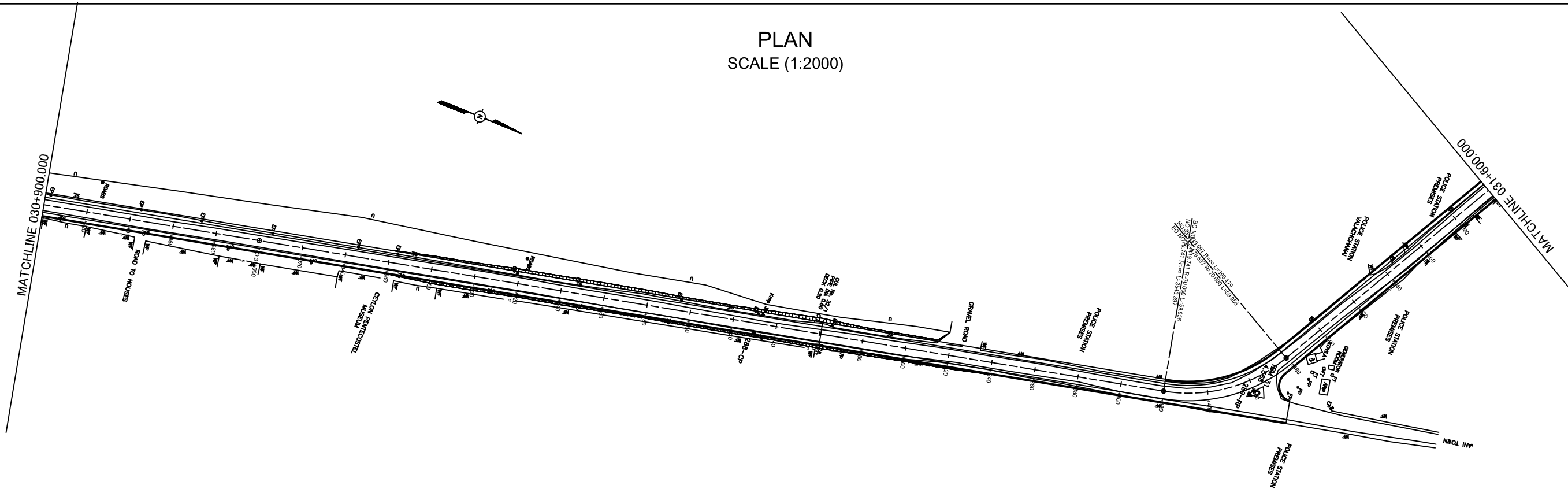
No	REVISION	DATE

THE PRO-POOR EASTERN INFRASTRUCTURE DEVELOPMENT PROJECT

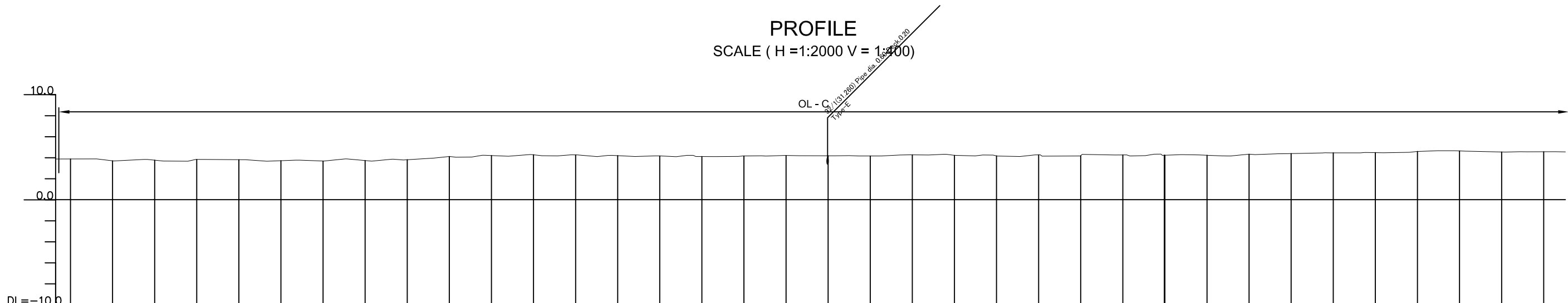
PLANE & PROFILE  
030+200-030+900

DESIGNED BY:	
CHECKED BY:	
APPROVED BY:	
DWG. NO.	B-134

PLAN  
SCALE (1:2000)



PROFILE  
SCALE ( H =1:2000 V = 1:400)



GRADE																																												
PROPOSED ROAD LEVELS	VARY																																											
EXISTING GROUND LEVELS	3.873	3.698	3.760	3.831	3.801	3.709		3.673	3.868	3.724	3.799	4.105	4.056	4.199	4.272	4.259	4.103	4.189	4.160	4.105	4.103	4.156	4.203	4.176	4.158	4.208	4.264	4.216	4.169	4.112	4.264	4.177	4.255	4.229	4.223	4.163	4.322	4.388	4.455	4.476	4.585	4.643	4.539	4.559
STATION (km)	+900.008	+920.008	+940.008	+960.008	+980.008	NO.31		+20.008	+30.008	+40.008	+60.008	+80.008	+90.008	+100.008	+120.008	+140.008	+150.008	+160.008	+180.008	+200.008	+210.008	+220.008	+240.008	+260.008	+280.008	+290.008	+300.008	+320.008	+340.008	+350.008	+360.008	+380.008	+400.008	+420.008	+440.008	+451.697	+460.008	+480.008	+500.008	+520.008	+540.008	+560.008	+580.008	+600.008
CURVE BAND																																												

R=70.000  
L=59.958

THE DEMOCRATIC SOCIALIST REPUBLIC OF SRI LANKA  
MINISTRY OF HIGHWAYS



JAPAN INTERNATIONAL COOPERATION AGENCY  
 ORIENTAL CONSULTANTS CO., LTD.  
 NIPPON KOEI CO., LTD.  
 JAPAN ENGINEERING CONSULTANTS CO., LTD.

No	REVISION	DATE

THE PRO-POOR EASTERN INFRASTRUCTURE DEVELOPMENT PROJECT

PLANE & PROFILE

030+900~031+600

DESIGNED BY:	
CHECKED BY:	
APPROVED BY:	
DWG. NO.	B-135