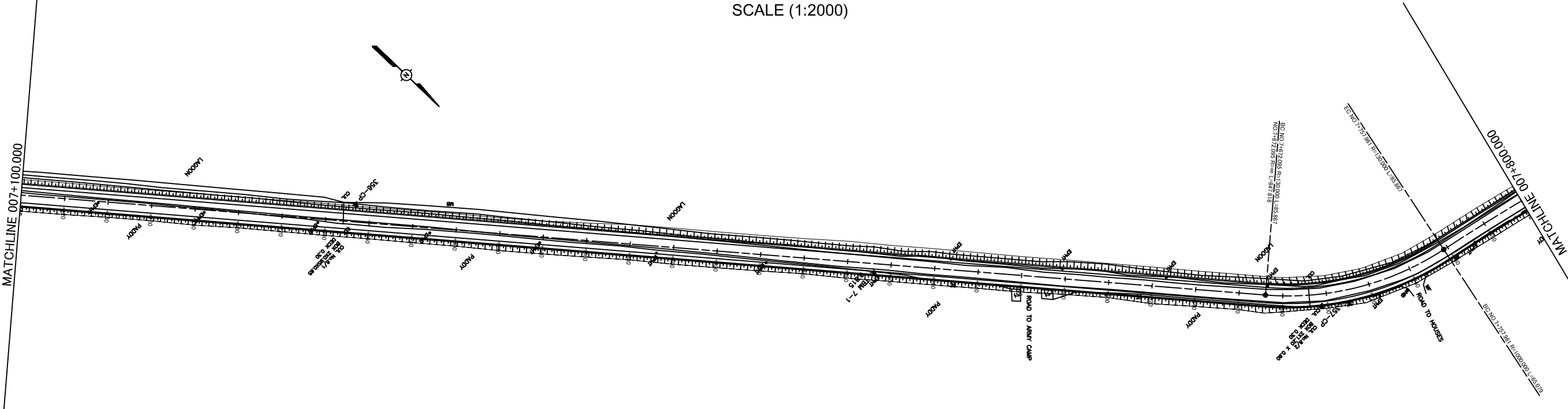
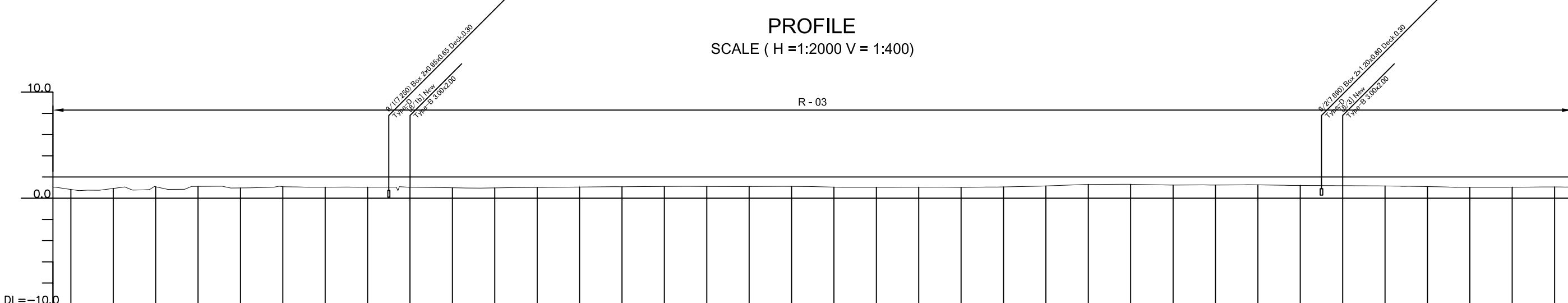


PLAN SCALE (1:2000)



PROFILE SCALE (H =1:2000 V = 1:400)



GRADE	i=0.000% L=3890.000m																																						
FINISHED ROAD LEVELS	2.000	2.000	2.000	2.000	2.000	2.000	2.000	2.000	2.000	2.000	2.000	2.000	2.000	2.000	2.000	2.000	2.000	2.000	2.000	2.000	2.000	2.000	2.000	2.000	2.000	2.000	2.000	2.000	2.000	2.000	2.000	2.000	2.000						
EXISTING GROUND LEVELS	0.820	0.915	1.072	1.114	0.969	1.081	1.035	1.036	1.028	0.979	0.972	1.013	1.050	1.076	1.105	1.108	1.105	1.113	1.042	1.025	1.035	1.021	1.062	1.154	1.298	1.309	1.239	1.239	1.259	1.219	1.203	1.179	1.158	1.152	1.094	1.028	1.031	1.049	1.061
STATION (km)	+100.000	+120.000	+140.000	+160.000	+180.000	+200.000	+220.000	+240.000	+260.000	+280.000	+300.000	+320.000	+340.000	+360.000	+380.000	+400.000	+420.000	+440.000	+460.000	+480.000	+500.000	+520.000	+540.000	+560.000	+580.000	+600.000	+620.000	+640.000	+660.000	+672.095	+680.000	+700.000	+716.660	+720.000	+740.000	+758.960	+780.000	+790.512	+800.000
CURVE BAND											R=∞ L=847.818																		R=130.000 L=85.867	R=1000.000 L=65.079									

THE DEMOCRATIC SOCIALIST REPUBLIC OF SRI LANKA
MINISTRY OF HIGHWAYS



JICA JAPAN INTERNATIONAL COOPERATION AGENCY

ORIENTAL CONSULTANTS CO., LTD.

NIPPON KOEI CO., LTD.

JEC JAPAN ENGINEERING CONSULTANTS CO., LTD.

THE PRO-POOR EASTERN INFRASTRUCTURE DEVELOPMENT PROJECT

PLANE & PROFILE
007+100-007+800

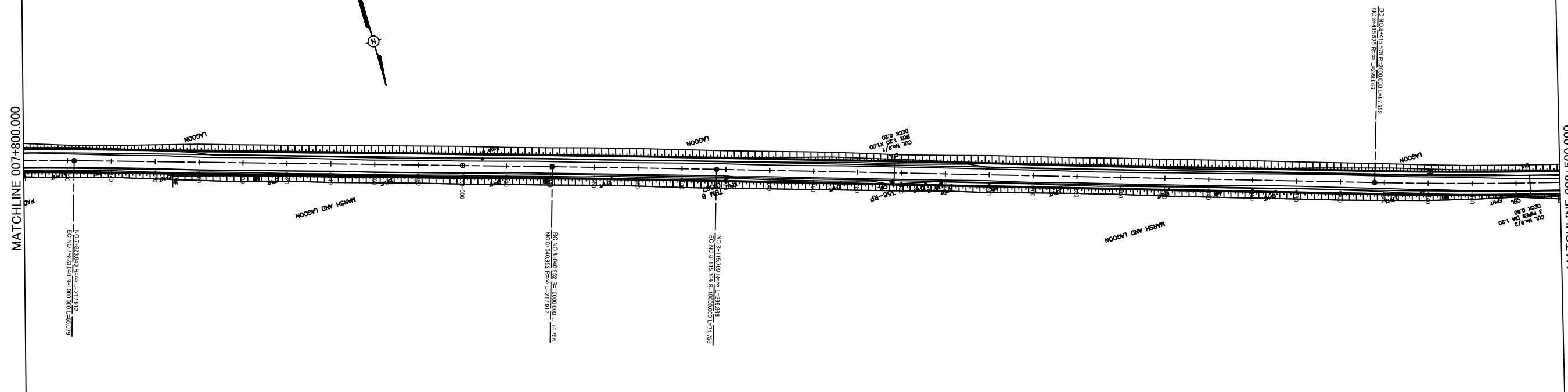
DESIGNED BY:	
CHECKED BY:	
APPROVED BY:	
DWG. NO.	B-101

No	REVISION	DATE

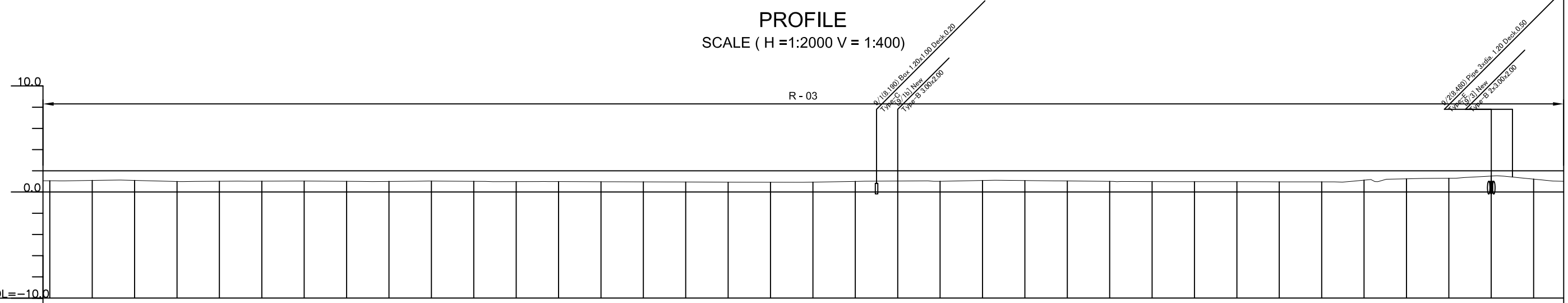
PLAN
SCALE (1:2000)

MATCHLINE 007+800.000

MATCHLINE 008+500.000



PROFILE
SCALE (H =1:2000 V = 1:400)



GRADE	+0.000% L=3690.000m																																						
FINISHED ROAD LEVELS	2.000	2.000	2.000	2.000	2.000	2.000	2.000	2.000	2.000	2.000	2.000	2.000	2.000	2.000	2.000	2.000	2.000	2.000	2.000	2.000	2.000	2.000	2.000	2.000	2.000	2.000	2.000	2.000	2.000	2.000	2.000	2.000							
EXISTING GROUND LEVELS	1.061	1.061	1.089	0.989	1.015	1.023	1.032	1.005	0.997	1.033	1.008	0.979	0.966	0.967	0.965	0.943	0.930	0.926	0.918	0.930	1.000	1.032	1.011	1.087	1.079	1.040	1.003	0.980	0.974	0.971	0.956	0.954	1.036	1.117	1.245	1.282	1.503	1.216	1.150
STATION (km)	+800.000	+820.000	+840.000	+860.000	+880.000	+900.000	+920.000	+940.000	+960.000	+980.000	NO.8	+20.000	+40.000	+60.000	+80.000	+100.000	+115.709	+120.000	+140.000	+160.000	+180.000	+200.000	+220.000	+240.000	+260.000	+280.000	+300.000	+320.000	+340.000	+360.000	+380.000	+400.000	+415.575	+420.000	+440.000	+460.000	+480.000	+500.000	+503.233
CURVE BAND	R=10000.000 L=74.756																																						

THE DEMOCRATIC SOCIALIST REPUBLIC OF SRI LANKA
MINISTRY OF HIGHWAYS



jica JAPAN INTERNATIONAL COOPERATION AGENCY
 ORIENTAL CONSULTANTS CO., LTD.
 NIPPON KOEI CO., LTD.
 JAPAN ENGINEERING CONSULTANTS CO., LTD.

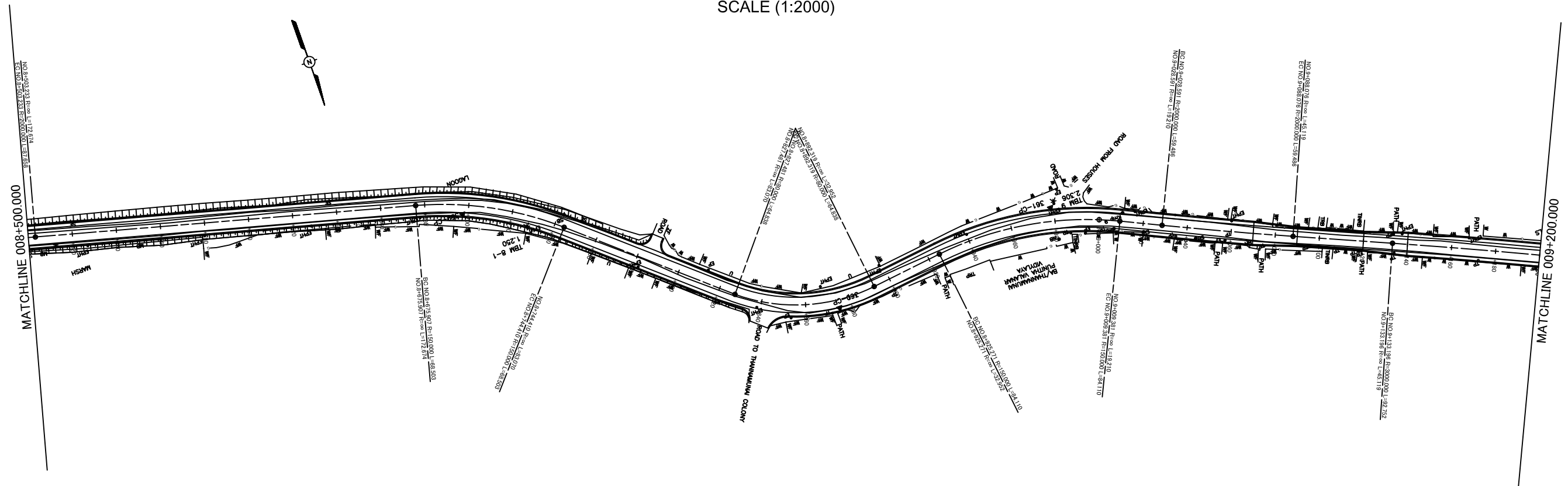
No	REVISION	DATE

THE PRO-POOR EASTERN INFRASTRUCTURE DEVELOPMENT PROJECT

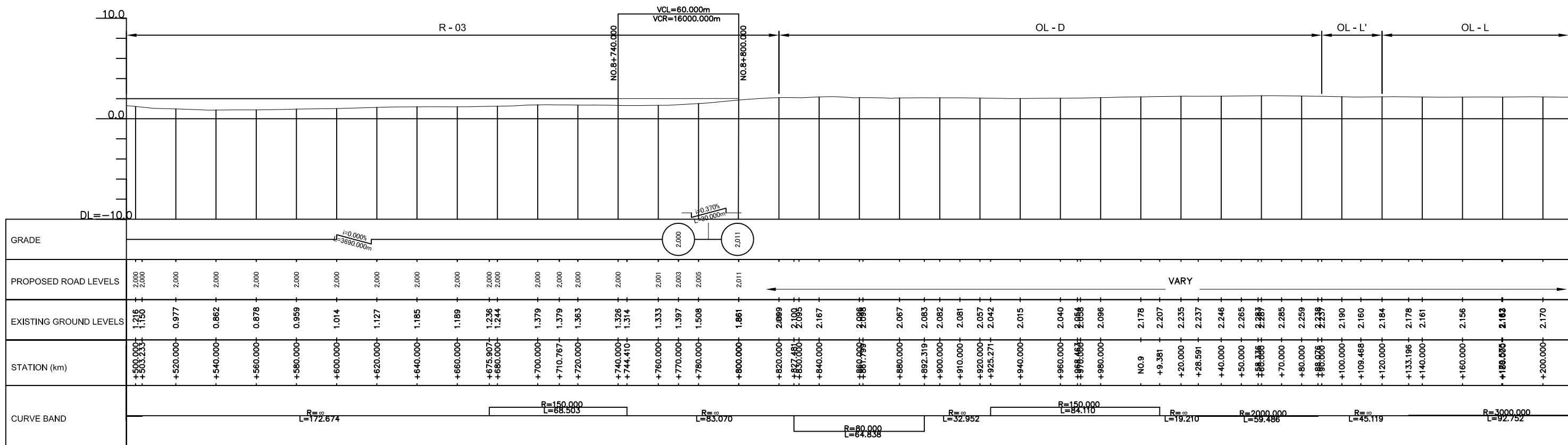
PLANE & PROFILE
007+800~008+500

DESIGNED BY:	
CHECKED BY:	
APPROVED BY:	
DWG. NO.	B-102

PLAN
SCALE (1:2000)

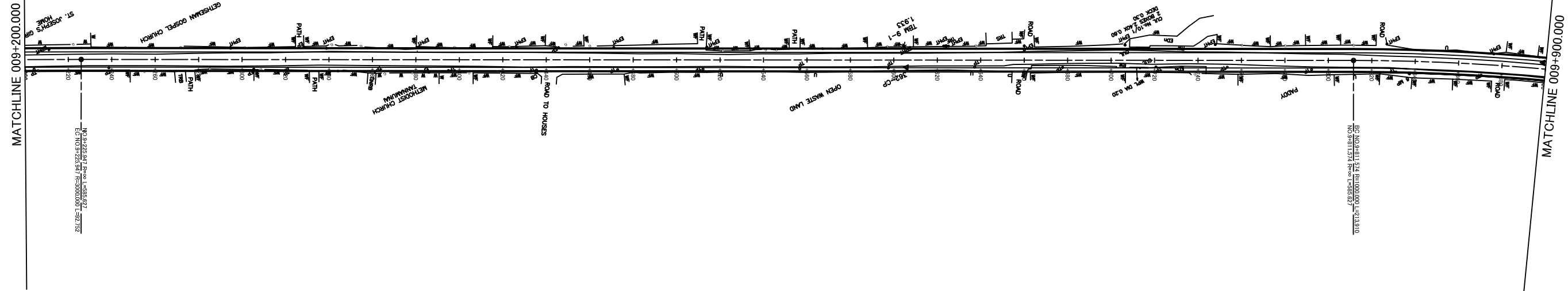


PROFILE
SCALE (H =1:2000 V = 1:400)

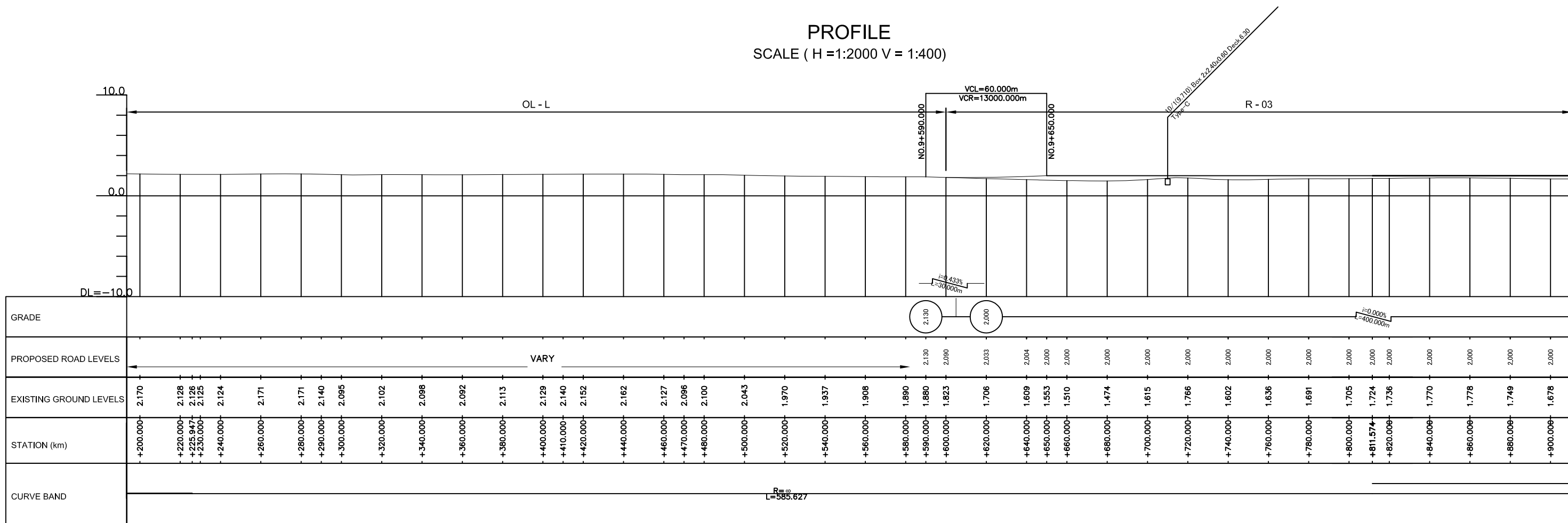


<p>THE DEMOCRATIC SOCIALIST REPUBLIC OF SRI LANKA MINISTRY OF HIGHWAYS</p> <p>Road Development Authority</p>	<p>JICA JAPAN INTERNATIONAL COOPERATION AGENCY</p> <p>ORIENTAL CONSULTANTS CO., LTD.</p> <p>NIPPON KOEI CO., LTD.</p> <p>JEC JAPAN ENGINEERING CONSULTANTS CO., LTD.</p>	<p>DESIGNED BY:</p>	
		<p>CHECKED BY:</p>	
<p>THE PRO-POOR EASTERN INFRASTRUCTURE DEVELOPMENT PROJECT</p>		<p>APPROVED BY:</p>	
<p>PLANE & PROFILE</p> <p>008+500-009+200</p>		<p>DWG. NO. B-103</p>	
No	REVISION	DATE	

PLAN
SCALE (1:2000)



PROFILE
SCALE (H =1:2000 V = 1:400)



THE DEMOCRATIC SOCIALIST REPUBLIC OF SRI LANKA
MINISTRY OF HIGHWAYS

Road Development Authority

JICA JAPAN INTERNATIONAL COOPERATION AGENCY

ORIENTAL CONSULTANTS CO., LTD.

NIPPON KOEI CO., LTD.

JEC JAPAN ENGINEERING CONSULTANTS CO., LTD.

No	REVISION	DATE

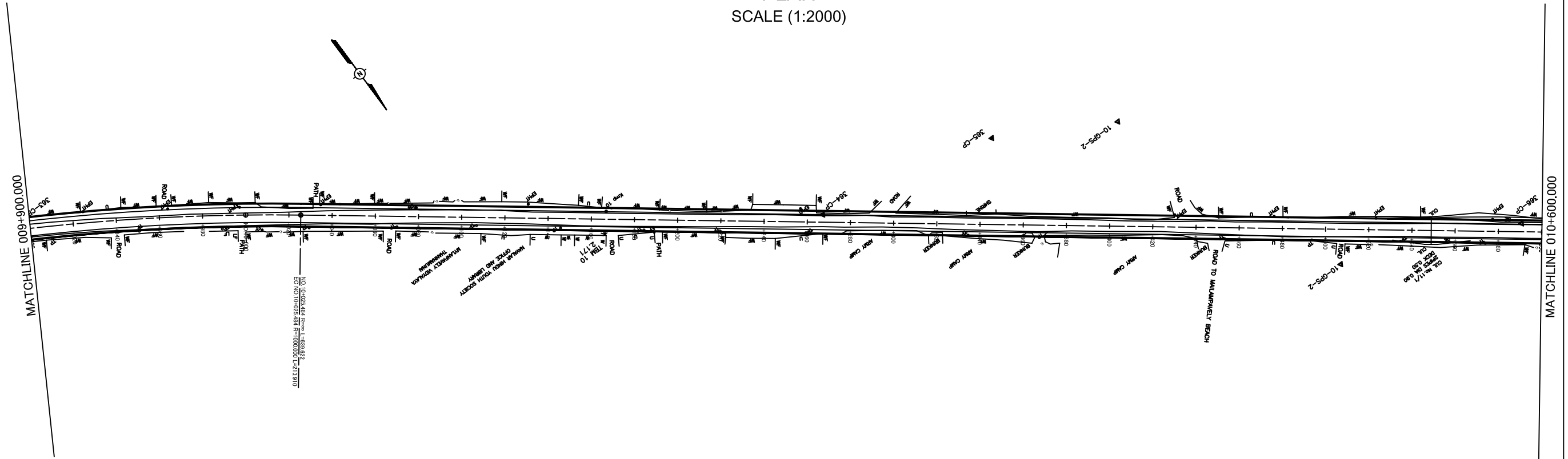
THE PRO-POOR EASTERN INFRASTRUCTURE DEVELOPMENT PROJECT

PLANE & PROFILE

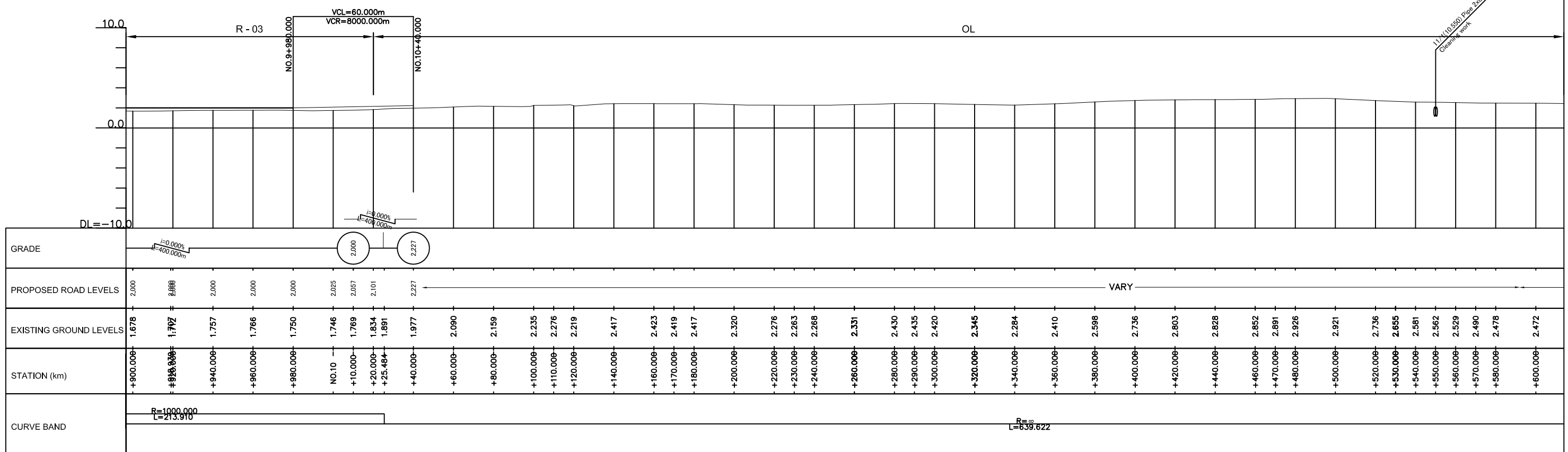
009+200~009+900

DESIGNED BY:	
CHECKED BY:	
APPROVED BY:	
DWG. NO.	B-104

PLAN
SCALE (1:2000)

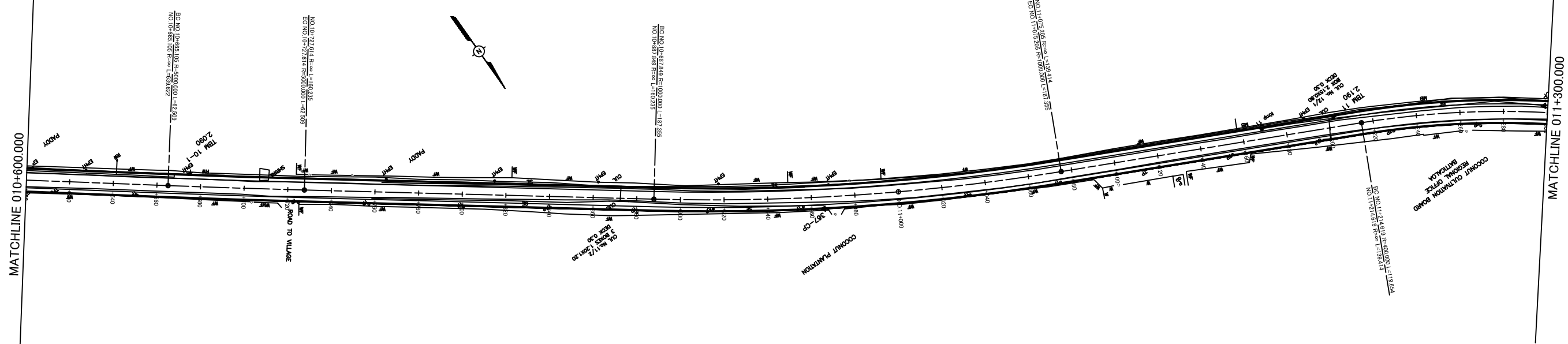


PROFILE
SCALE (H =1:2000 V = 1:400)

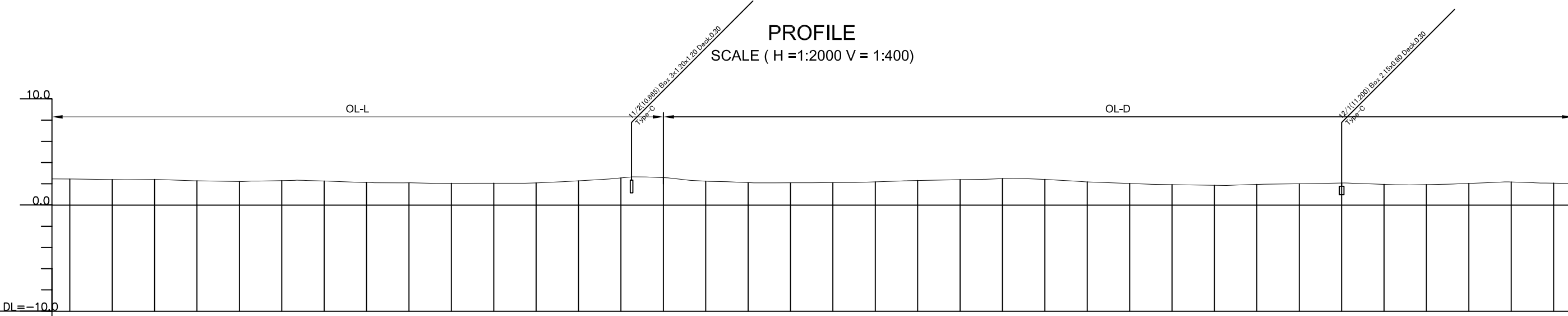


<p>THE DEMOCRATIC SOCIALIST REPUBLIC OF SRI LANKA MINISTRY OF HIGHWAYS</p>	<p>JICA JAPAN INTERNATIONAL COOPERATION AGENCY</p> <p> ORIENTAL CONSULTANTS CO., LTD.</p> <p> NIPPON KOEI CO., LTD.</p> <p> JAPAN ENGINEERING CONSULTANTS CO., LTD.</p>	<table border="1"> <tr><td>No</td><td>REVISION</td><td>DATE</td></tr> <tr><td> </td><td> </td><td> </td></tr> <tr><td> </td><td> </td><td> </td></tr> </table>	No	REVISION	DATE							<p>THE PRO-POOR EASTERN INFRASTRUCTURE DEVELOPMENT PROJECT</p>	<p>DESIGNED BY:</p>
			No	REVISION	DATE								
<p>PLANE & PROFILE</p> <p>009+900-010+600</p>	<p>CHECKED BY:</p>												
<p>APPROVED BY:</p>	<p>DWG. NO. B-105</p>												

PLAN
SCALE (1:2000)



PROFILE
SCALE (H =1:2000 V = 1:400)



GRADE																																																	
PROPOSED ROAD LEVELS	VARY																																																
EXISTING GROUND LEVELS	2.472	2.417	2.427	2.298	2.282	2.236	2.301	2.317	2.339	2.279	2.222	2.153	2.109	2.060	2.068	2.103	2.283	2.570	2.665	2.598	2.449	2.264	2.125	2.108	2.126	2.198	2.210	2.322	2.405	2.508	2.508	2.431	2.253	2.195	2.121	2.047	1.934	1.876	1.893	1.958	2.018	2.086	1.998	1.960	1.937	2.052	2.178	2.190	2.077
STATION (km)	+600.000	+620.000	+640.000	+660.000	+665.105	+680.000	+695.368	+700.000	+710.000	+720.000	+727.614	+740.000	+760.000	+780.000	+800.000	+820.000	+840.000	+860.000	+870.000	+880.000	+887.849	+900.000	+920.000	+940.000	+960.000	+980.000	NO.11	+20.000	+40.000	+50.000	+60.000	+75.205	+80.000	+90.000	+100.000	+120.000	+140.000	+150.000	+160.000	+180.000	+200.000	+214.619	+220.000	+240.000	+260.000	+274.896	+280.000	+300.000	
CURVE BAND	R=5000.000 L=62.509										R=∞ L=160.235					R=1000.000 L=187.355					R=∞ L=139.414					R=400.000 L=119.854																							

THE DEMOCRATIC SOCIALIST REPUBLIC OF SRI LANKA MINISTRY OF HIGHWAYS 	JAPAN INTERNATIONAL COOPERATION AGENCY ORIENTAL CONSULTANTS CO., LTD. NIPPON KOEI CO., LTD. JAPAN ENGINEERING CONSULTANTS CO., LTD.	THE PRO-POOR EASTERN INFRASTRUCTURE DEVELOPMENT PROJECT		DESIGNED BY:	
		PLANE & PROFILE 010+600-011+300		CHECKED BY:	
				APPROVED BY:	
				DWG. NO. B-106	
No	REVISION	DATE			