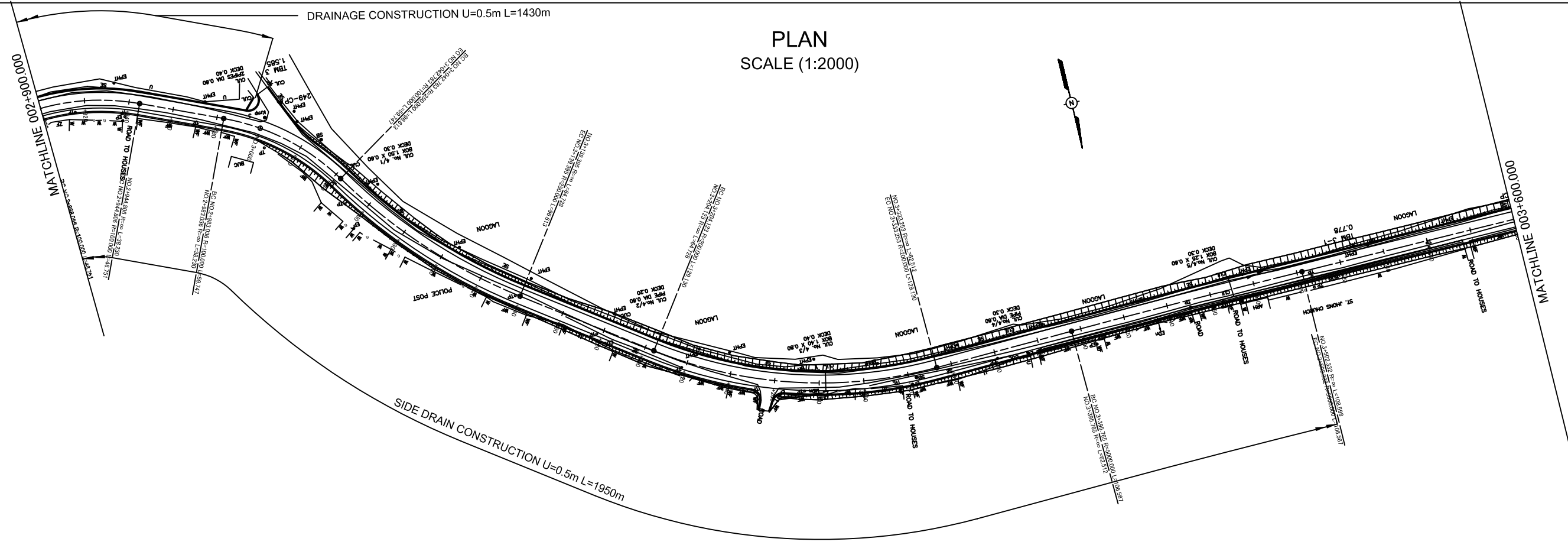
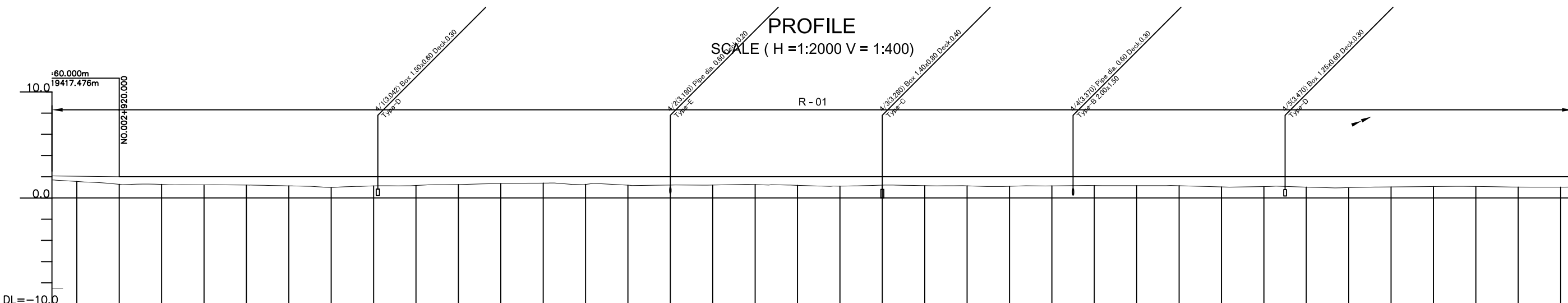


PLAN
SCALE (1:2000)



PROFILE
SCALE (H = 1:2000 V = 1:400)



GRADE	2.000																																												
PROPOSED ROAD LEVELS	2.410	2.888	2.000	2.000	2.000	2.000	2.000	2.000	2.000	2.000	2.000	2.000	2.000	2.000	2.000	2.000	2.000	2.000	2.000	2.000	2.000	2.000	2.000	2.000	2.000	2.000	2.000	2.000	2.000	2.000	2.000	2.000													
EXISTING GROUND LEVELS	1.673	1.589	1.286	1.276	1.237	1.231	1.216	1.138	1.054	0.983	1.134	1.174	1.259	1.324	1.359	1.397	1.299	1.205	1.217	1.233	1.262	1.188	1.114	1.154	1.205	1.157	1.141	1.077	1.097	1.135	1.167	1.158	1.158	1.149	1.039	1.038	1.069	1.020	8.863	1.038	1.076	1.080	1.022	1.016	
STATION (km)	+890.000	+896.000	+902.000	+940.000	+944.806	+960.000	+883.000	NO.3	+13.831	+20.000	+42.989	+60.000	+80.000	+91.699	+100.000	+120.000	+146.986	+160.000	+180.000	+200.000	+204.123	+220.000	+240.000	+260.000	+271.028	+280.000	+300.000	+320.000	+333.253	+340.000	+360.000	+380.000	+395.765	+400.000	+420.000	+440.000	+449.050	+460.000	+480.000	+509.999	+520.000	+540.000	+560.000	+580.000	+600.000
CURVE BAND	R=100.000 L=46.751		R=∞ L=38.230		R=100.000 L=59.747		R=200.000 L=96.613				R=∞ L=64.728		R=200.000 L=129.130				R=∞ L=62.512		R=5000.000 L=106.567				R=∞ L=108.598																						

THE DEMOCRATIC SOCIALIST REPUBLIC OF SRI LANKA
MINISTRY OF HIGHWAYS

Road Development Authority

JICA JAPAN INTERNATIONAL COOPERATION AGENCY

ORIENTAL CONSULTANTS CO., LTD.

NIPPON KOEI CO., LTD.

JEC JAPAN ENGINEERING CONSULTANTS CO., LTD.

No.	REVISION	DATE

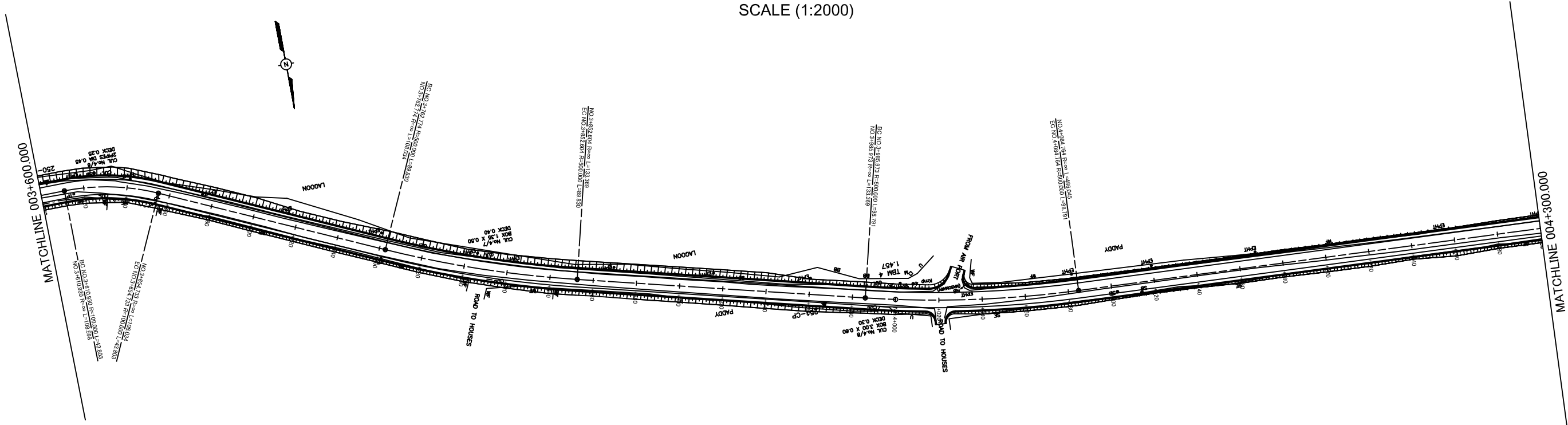
THE PRO-POOR EASTERN INFRASTRUCTURE DEVELOPMENT PROJECT

PLANE & PROFILE

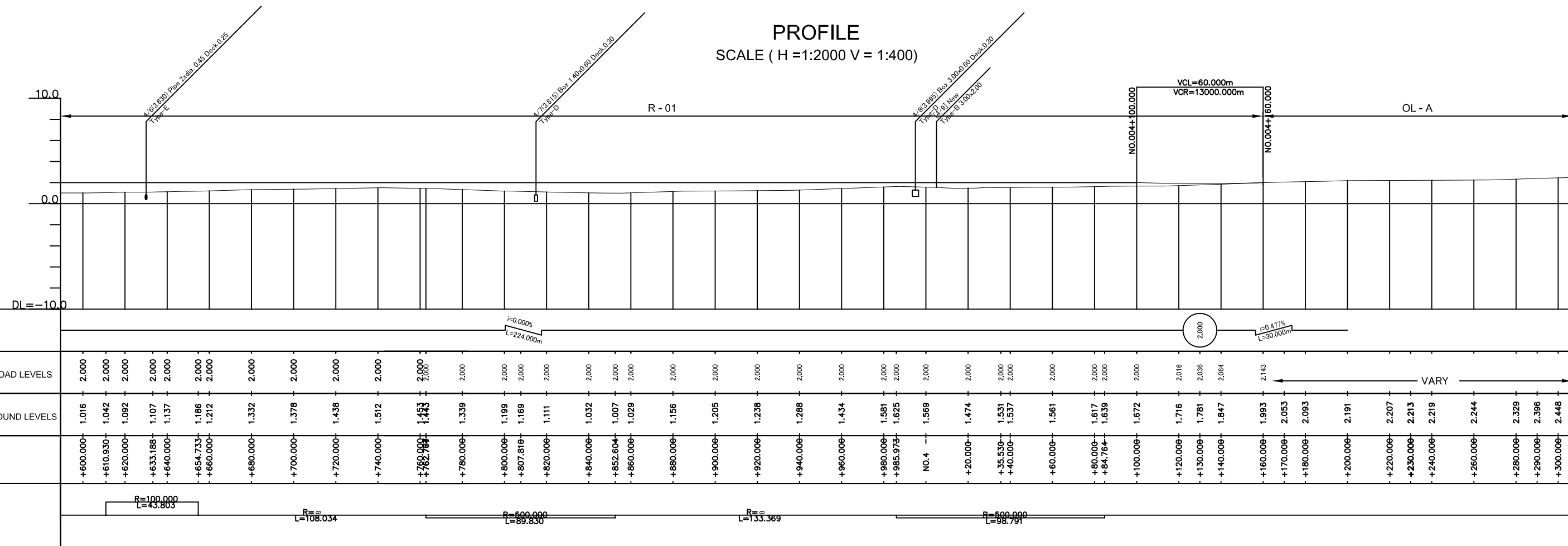
002+900-003+600

DESIGNED BY:	
CHECKED BY:	
APPROVED BY:	
DWG. NO.	B-095

PLAN
SCALE (1:2000)



PROFILE
SCALE (H =1:2000 V = 1:400)



THE DEMOCRATIC SOCIALIST REPUBLIC OF SRI LANKA
MINISTRY OF HIGHWAYS
Road Development Authority

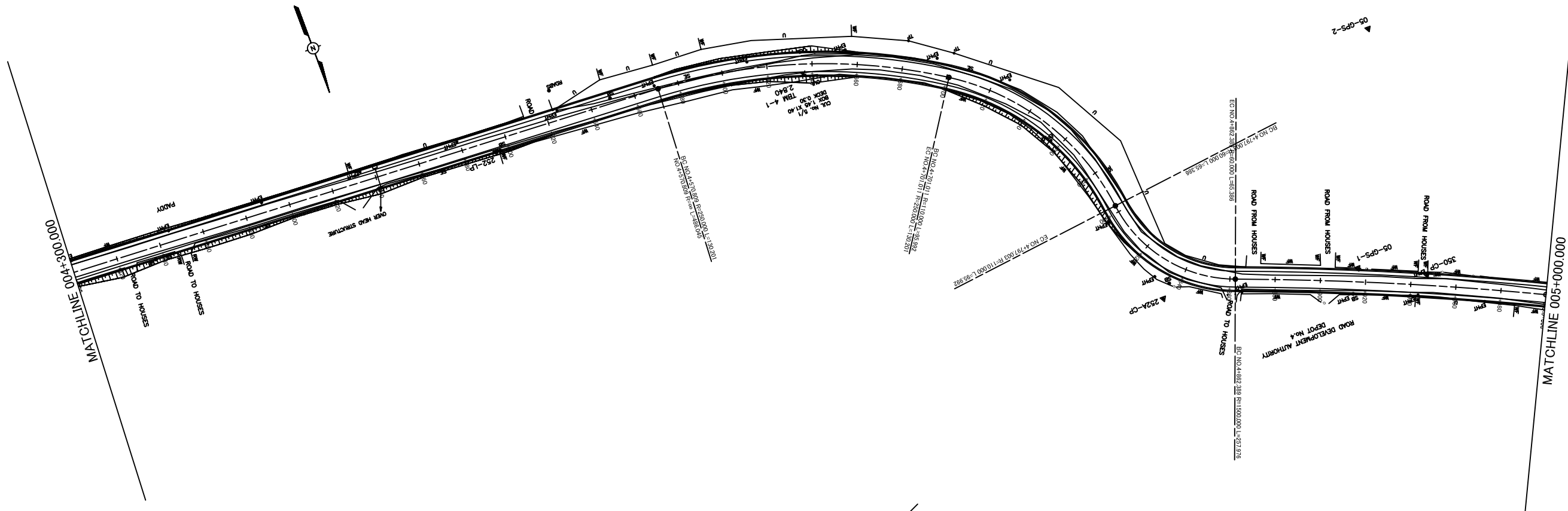
JICA JAPAN INTERNATIONAL COOPERATION AGENCY
ORIENTAL CONSULTANTS CO., LTD.
NIPPON KOEI CO., LTD.
JEC JAPAN ENGINEERING CONSULTANTS CO., LTD.

No	REVISION	DATE

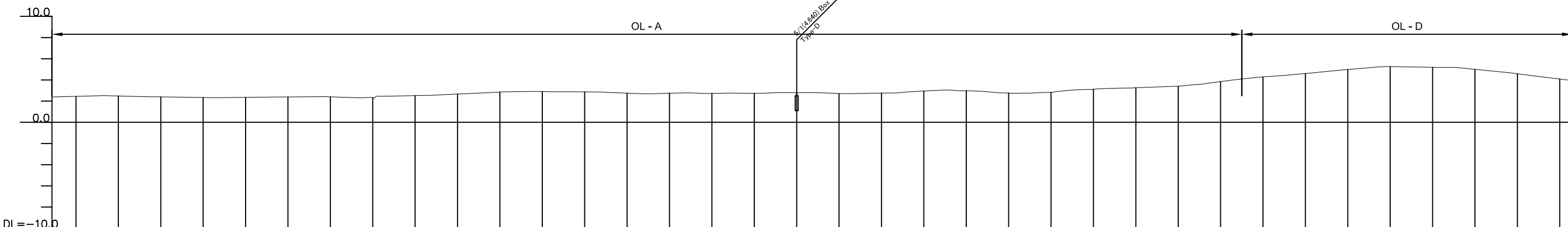
THE PRO-POOR EASTERN INFRASTRUCTURE DEVELOPMENT PROJECT
PLANE & PROFILE
003+600~004+300

DESIGNED BY:	
CHECKED BY:	
APPROVED BY:	
DWG. NO.	B-096

PLAN
SCALE (1:2000)



PROFILE
SCALE (H = 1:2000 V = 1:400)



GRADE																																																													
PROPOSED ROAD LEVELS	VARY																																																												
EXISTING GROUND LEVELS	2.396	2.448	2.484	2.398	2.338	2.357	2.394	2.405	2.315	2.321	2.516	2.670	2.712	2.754	2.851	2.897	2.871	2.832	2.752	2.699	2.745	2.776	2.726	2.741	2.807	2.715	2.712	2.755	2.899	2.899	3.042	2.982	2.949	2.782	2.760	2.774	2.831	2.951	3.120	3.240	3.259	3.301	3.405	3.967	3.843	4.089	4.386	4.368	4.606	4.892	4.983	5.065	5.259	5.208	5.189	5.183	4.996	4.899	4.582	4.365	4.084
STATION (km)	+290.000	+300.000	+320.000	+340.000	+360.000	+380.000	+400.000	+420.000	+435.000	+440.000	+460.000	+480.000	+485.000	+490.000	+500.000	+520.000	+540.000	+550.000	+560.000	+570.000	+580.000	+590.000	+600.000	+620.000	+637.063	+660.000	+665.000	+680.000	+695.000	+707.919	+710.000	+720.000	+725.000	+735.000	+740.000	+750.000	+760.000	+765.000	+780.000	+795.000	+800.000	+805.000	+820.000	+833.666	+840.000	+850.000	+860.000	+865.000	+880.000	+895.000	+900.000	+905.000	+920.000	+935.000	+940.000	+950.000	+960.000	+965.000	+980.000	+990.000	NO.5
CURVE BAND	R=80, L=486.045												R=250,000, L=150,201		R=110,000, L=95,992				R=60,000, L=85,388		R=1500,000, L=257,976																																								

THE DEMOCRATIC SOCIALIST REPUBLIC OF SRI LANKA
MINISTRY OF HIGHWAYS



JAPAN INTERNATIONAL COOPERATION AGENCY
 ORIENTAL CONSULTANTS CO., LTD.
 NIPPON KOEI CO., LTD.
 JAPAN ENGINEERING CONSULTANTS CO., LTD.

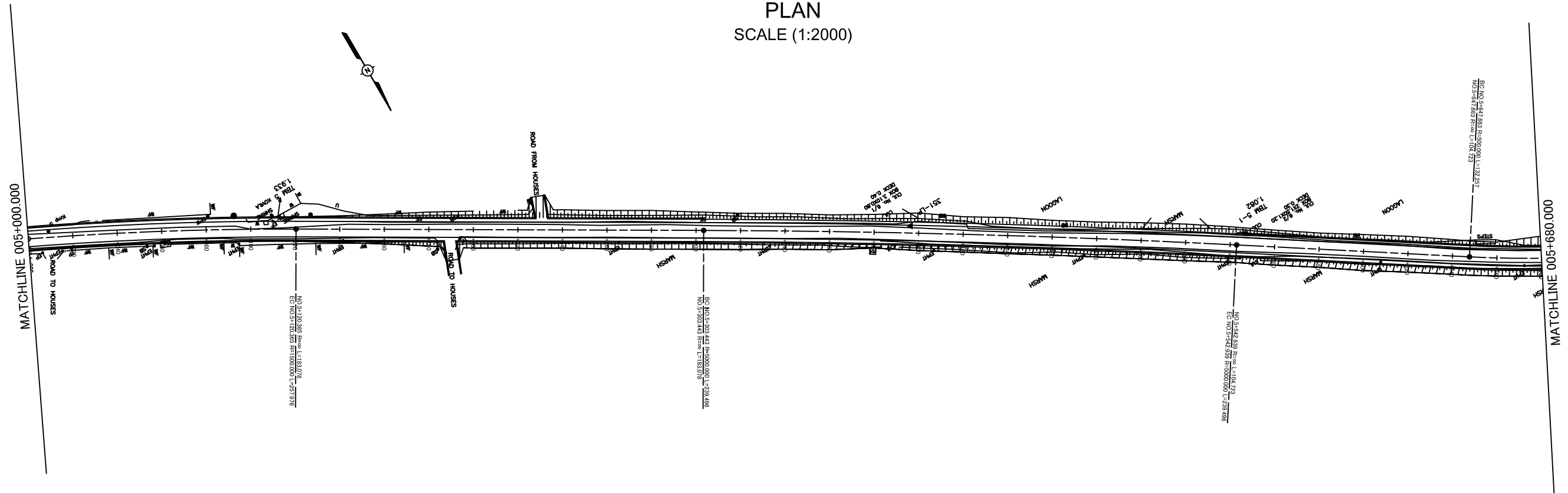
No	REVISION	DATE

THE PRO-POOR EASTERN INFRASTRUCTURE DEVELOPMENT PROJECT

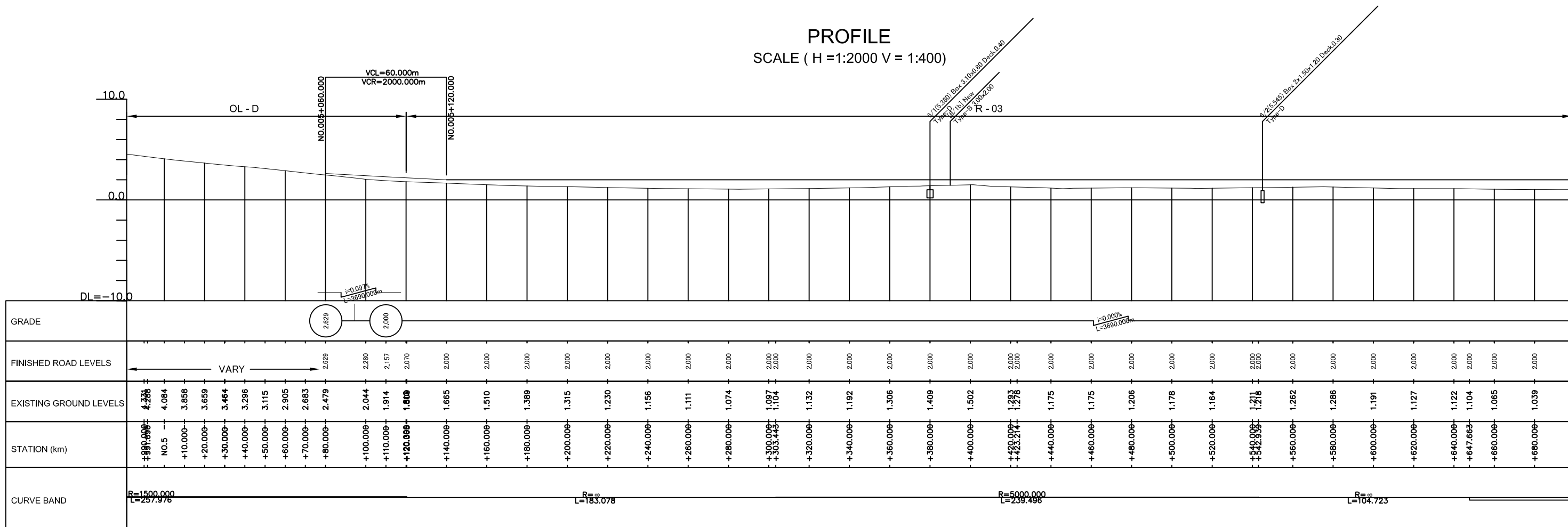
PLANE & PROFILE
004+300-005+000

DESIGNED BY:	
CHECKED BY:	
APPROVED BY:	
DWG. NO.	B-097

PLAN
SCALE (1:2000)



PROFILE
SCALE (H =1:2000 V = 1:400)



THE DEMOCRATIC SOCIALIST REPUBLIC OF SRI LANKA
MINISTRY OF HIGHWAYS



JICA JAPAN INTERNATIONAL COOPERATION AGENCY
ORIENTAL CONSULTANTS CO., LTD.
NIPPON KOEI CO., LTD.
JEC JAPAN ENGINEERING CONSULTANTS CO., LTD.

No	REVISION	DATE

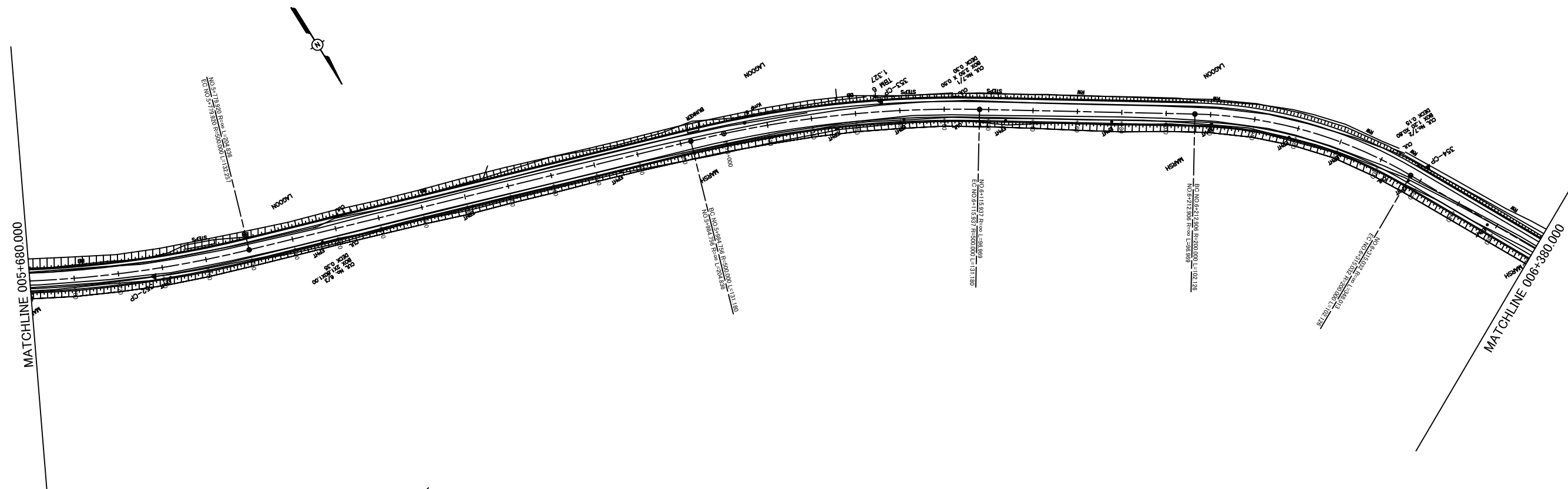
THE PRO-POOR EASTERN INFRASTRUCTURE DEVELOPMENT PROJECT

PLANE & PROFILE

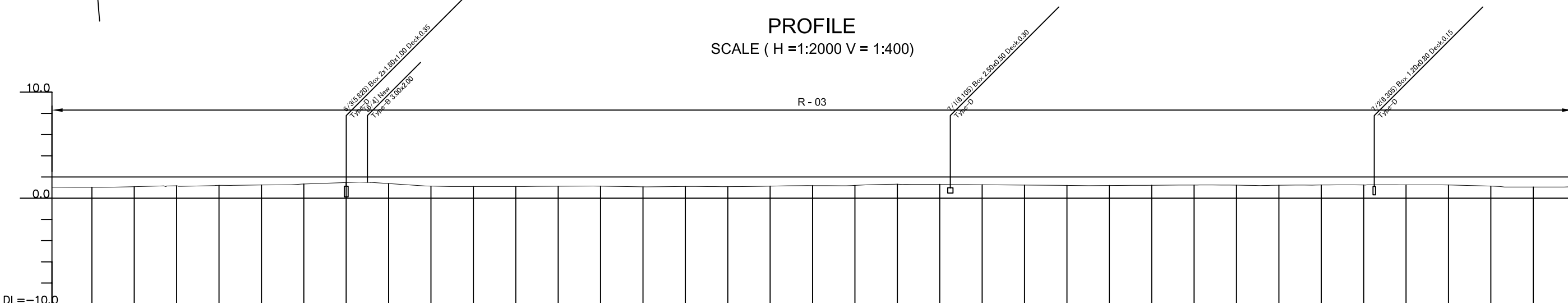
005+000-005+680

DESIGNED BY:	
CHECKED BY:	
APPROVED BY:	
DWG. NO.	B-098

PLAN
SCALE (1:2000)



PROFILE
SCALE (H =1:2000 V = 1:400)



GRADE	R-03																																									
FINISHED ROAD LEVELS	2.000	2.000	2.000	2.000	2.000	2.000	2.000	2.000	2.000	2.000	2.000	2.000	2.000	2.000	2.000	2.000	2.000	2.000	2.000	2.000	2.000	2.000	2.000	2.000	2.000	2.000	2.000	2.000	2.000	2.000												
EXISTING GROUND LEVELS	1.030	1.058	1.086	1.172	1.211	1.245	1.341	1.479	1.380	1.142	1.106	1.105	1.132	1.137	1.073	1.110	1.110	1.091	1.137	1.183	1.175	1.206	1.320	1.296	1.275	1.269	1.239	1.205	1.198	1.220	1.241	1.242	1.230	1.223	1.234	1.245	1.245	1.262	1.256	1.246	1.140	1.056
STATION (km)	+700.000	+714.186	+720.000	+740.000	+760.000	+786.000	+800.000	+820.000	+840.000	+860.000	+880.000	+900.000	+920.000	+940.000	+960.000	+980.000	+984.756	NO.6	+20.000	+40.000	+50.726	+60.000	+80.000	+100.000	+115.937	+120.000	+140.000	+160.000	+180.000	+200.000	+212.906	+220.000	+240.000	+260.000	+265.108	+280.000	+300.000	+315.036	+320.000	+340.000	+360.000	+380.000
CURVE BAND	R=500.000 L=132.257					R=∞ L=204.836					R=500.000 L=131.186					R=∞ L=96.969					R=200.000 L=102.128																					

THE DEMOCRATIC SOCIALIST REPUBLIC OF SRI LANKA
MINISTRY OF HIGHWAYS



jica JAPAN INTERNATIONAL COOPERATION AGENCY

ORIENTAL CONSULTANTS CO., LTD.

NIPPON KOEI CO., LTD.

JEC JAPAN ENGINEERING CONSULTANTS CO., LTD.

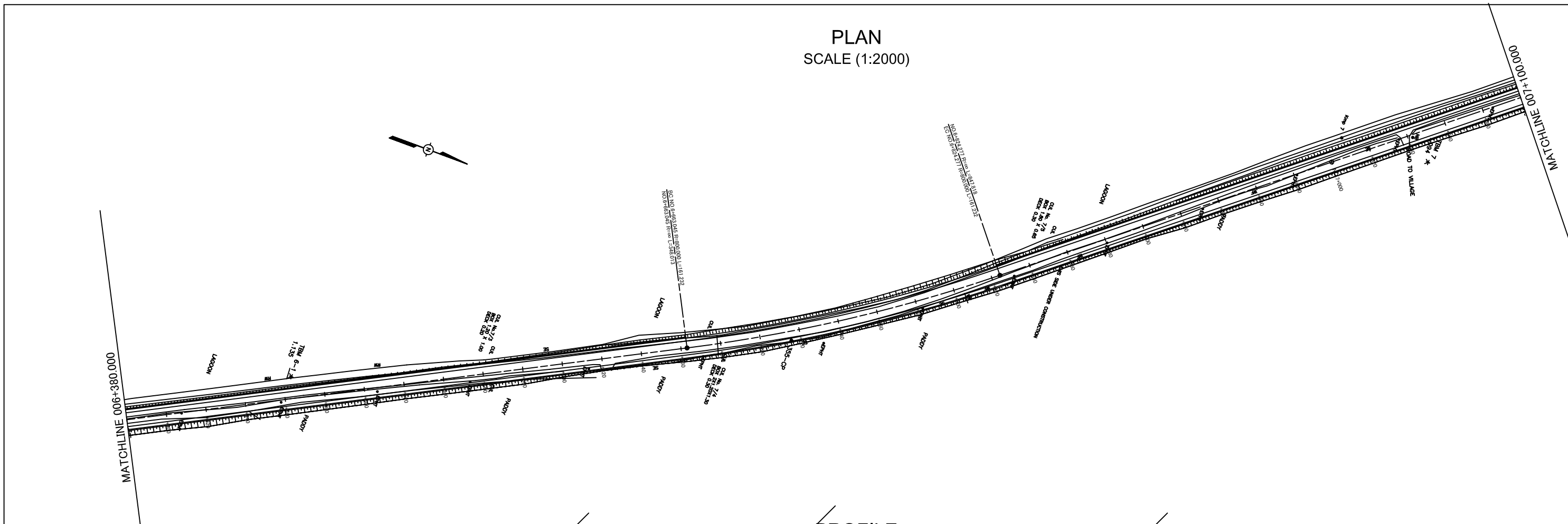
No	REVISION	DATE

THE PRO-POOR EASTERN INFRASTRUCTURE DEVELOPMENT PROJECT

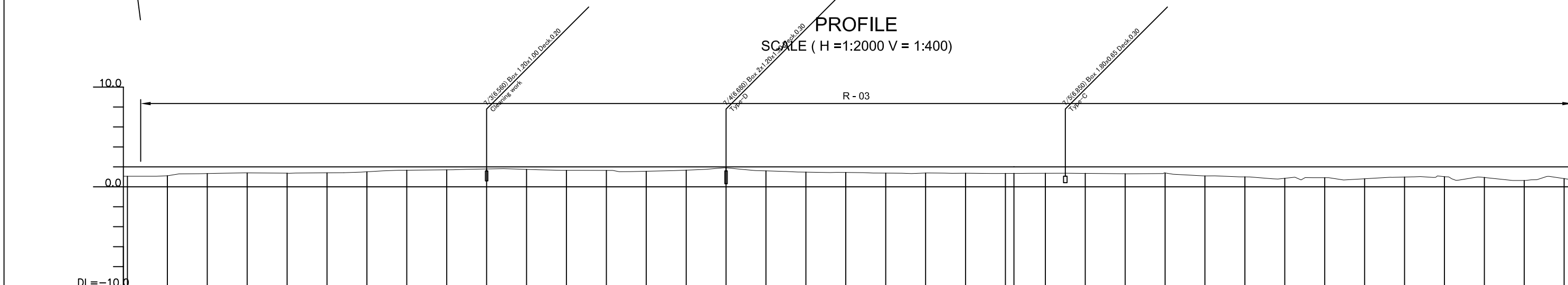
PLANE & PROFILE
005+680-006+380

DESIGNED BY:	
CHECKED BY:	
APPROVED BY:	
DWG. NO.	B-099

PLAN
SCALE (1:2000)



PROFILE
SCALE (H = 1:2000 V = 1:400)



GRADE	R-03																																							
FINISHED ROAD LEVELS	2.000	2.000	2.000	2.000	2.000	2.000	2.000	2.000	2.000	2.000	2.000	2.000	2.000	2.000	2.000	2.000	2.000	2.000	2.000	2.000	2.000	2.000	2.000	2.000	2.000	2.000	2.000	2.000	2.000											
EXISTING GROUND LEVELS	1.056	1.104	1.328	1.398	1.366	1.402	1.508	1.666	1.704	1.788	1.749	1.647	1.640	1.558	1.670	1.695	1.901	1.598	1.470	1.436	1.429	1.372	1.381	1.361	1.341	1.341	1.358	1.345	1.308	1.385	1.088	0.995	0.851	0.912	0.807	0.979	1.013	0.935	0.634	0.820
STATION (km)	+380.000	+400.000	+420.000	+440.000	+460.000	+480.000	+500.000	+520.000	+540.000	+560.000	+580.000	+600.000	+620.000	+640.000	+660.000	+680.000	+700.000	+720.000	+740.000	+743.950	+760.000	+780.000	+800.000	+820.000	+824.275	+840.000	+860.000	+880.000	+900.000	+920.000	+940.000	+960.000	+980.000	NO.7	+20.000	+40.000	+60.000	+80.000	+100.000	
CURVE BAND	R=348.013														R=800.000 L=181.232																									

THE DEMOCRATIC SOCIALIST REPUBLIC OF SRI LANKA MINISTRY OF HIGHWAYS 	JAPAN INTERNATIONAL COOPERATION AGENCY ORIENTAL CONSULTANTS CO., LTD. NIPPON KOEI CO., LTD. JAPAN ENGINEERING CONSULTANTS CO., LTD.	THE PRO-POOR EASTERN INFRASTRUCTURE DEVELOPMENT PROJECT		DESIGNED BY:
		PLANE & PROFILE 006+380-007+100		CHECKED BY:
				APPROVED BY:
				DWG. NO. B-100
No	REVISION	DATE		