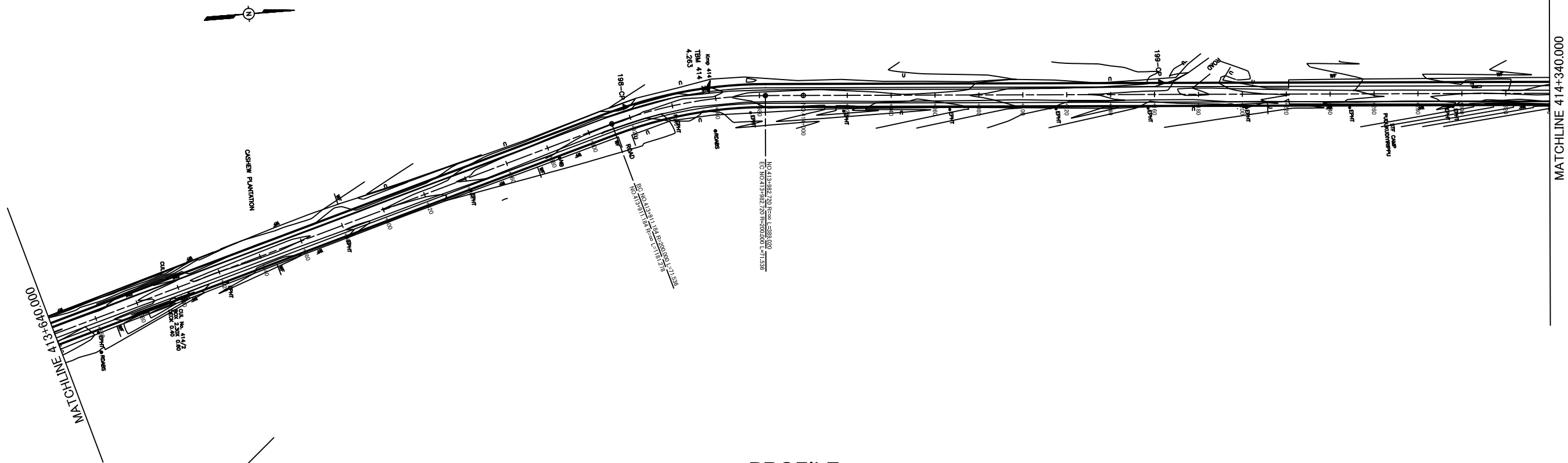
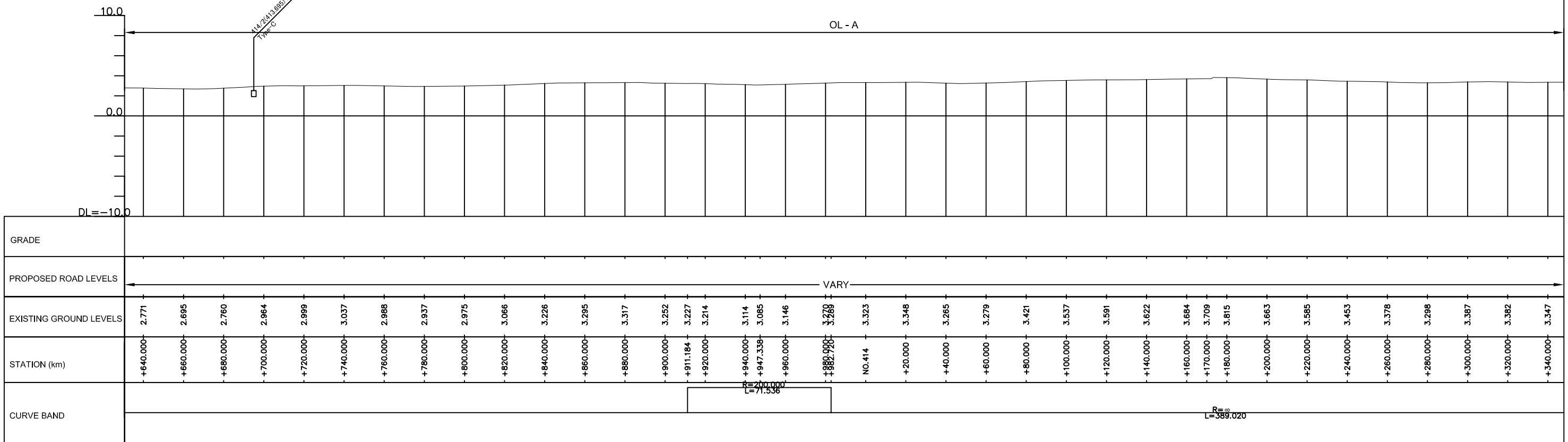


PLAN
SCALE (1:2000)

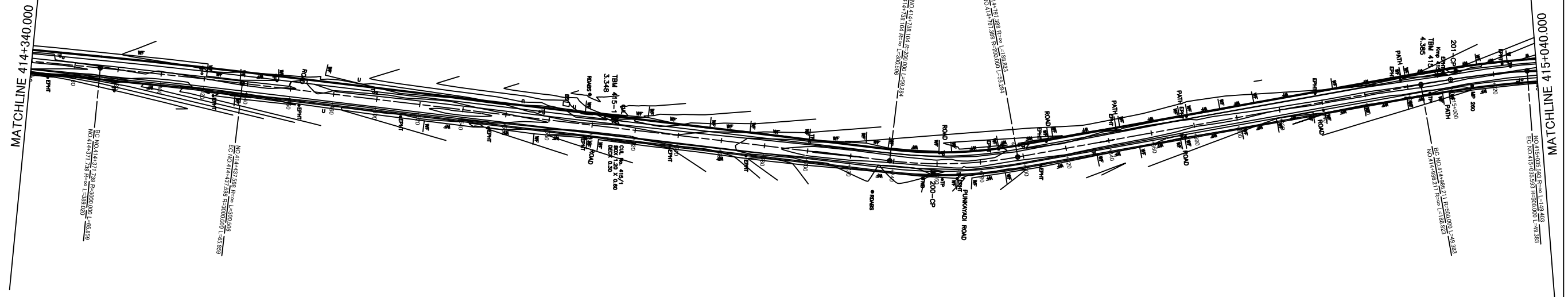


PROFILE
SCALE (H =1:2000 V = 1:400)

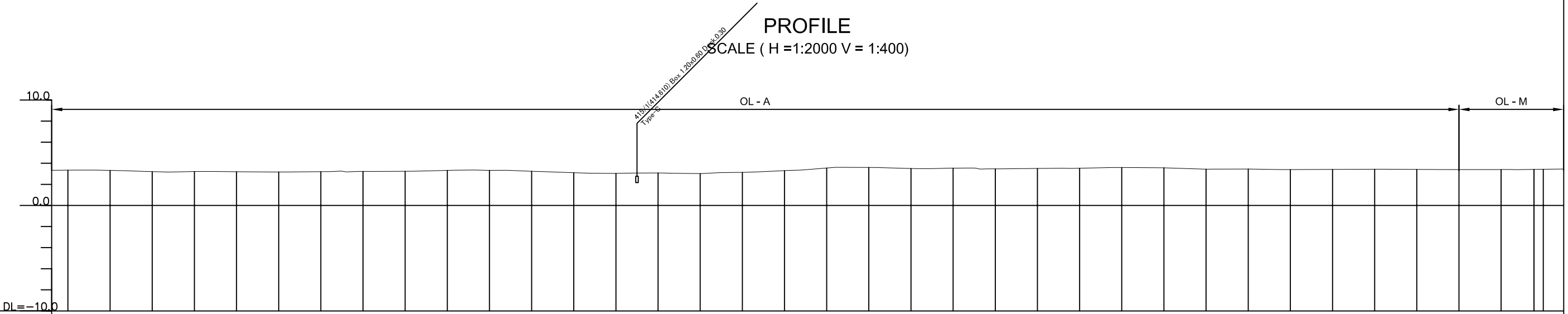


THE DEMOCRATIC SOCIALIST REPUBLIC OF SRI LANKA MINISTRY OF HIGHWAYS 	JAPAN INTERNATIONAL COOPERATION AGENCY ORIENTAL CONSULTANTS COMPANY LIMITED NIPPON KOEI Co., Ltd JAPAN ENGINEERING CONSULTANTS Co., Ltd	THE PRO-POOR EASTERN INFRASTRUCTURE DEVELOPMENT PROJECT		DESIGNED BY:	
		PLANE & PROFILE 413+640~414+340		CHECKED BY:	
				APPROVED BY:	
				DWG. NO. B-072	
No	REVISION	DATE			

PLAN
SCALE (1:2000)



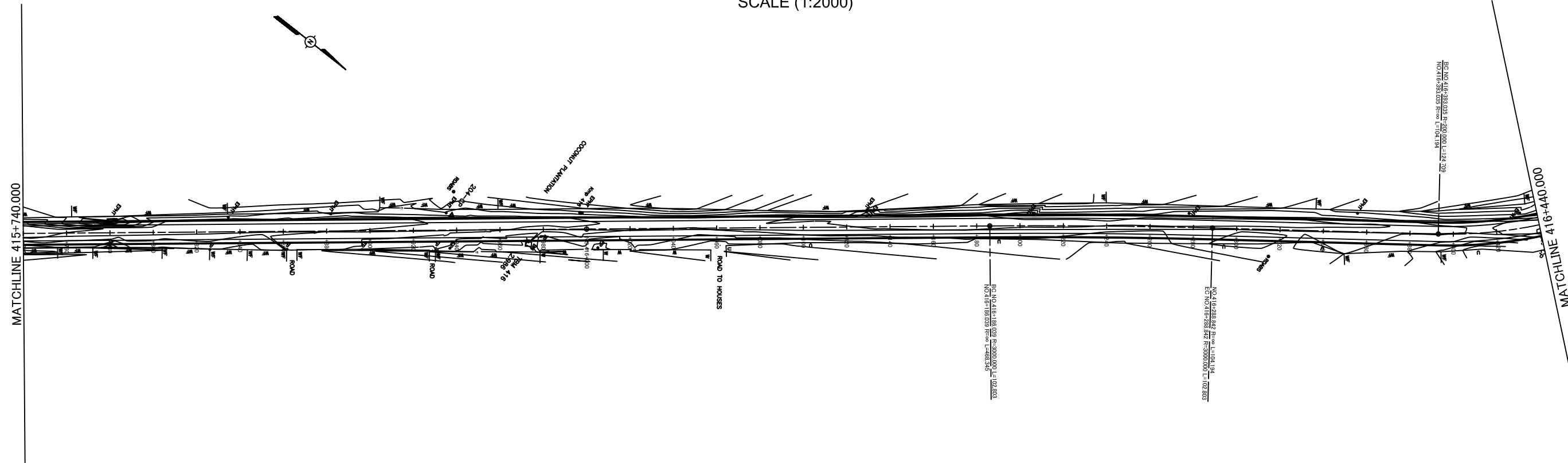
PROFILE
SCALE (H=1:2000 V=1:400)



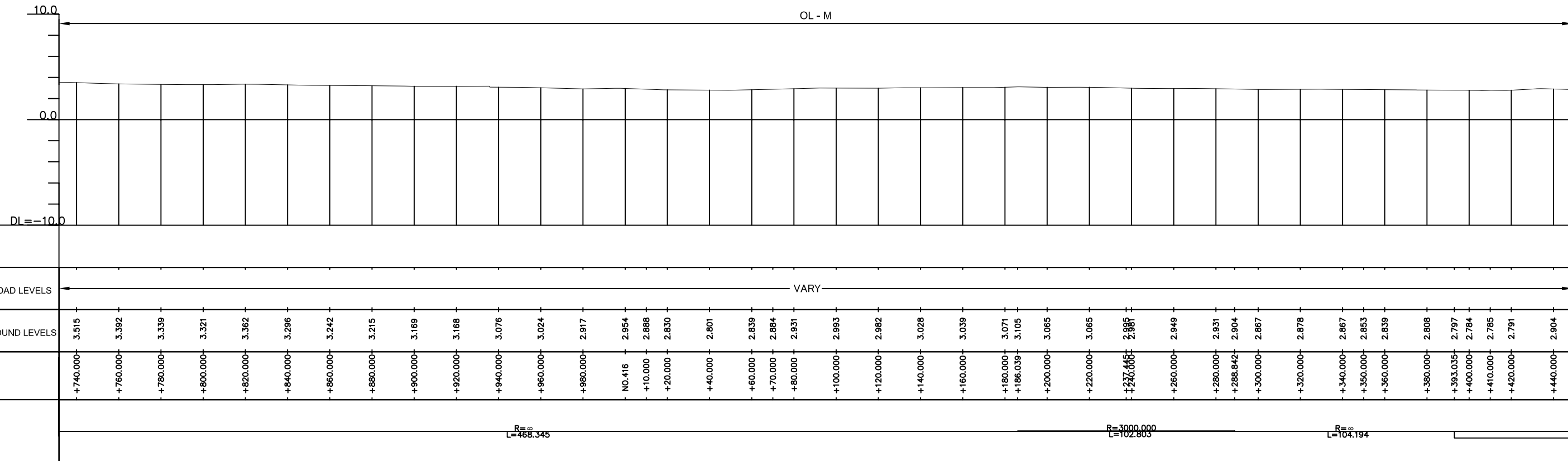
GRADE																																																
PROPOSED ROAD LEVELS	VARY																																															
EXISTING GROUND LEVELS	3.347	3.356	3.327	3.262	3.211	3.218	3.221	3.203	3.187	3.176	3.205	3.226	3.241	3.278	3.328	3.326	3.244	3.176	3.107	3.045	3.083	3.043	3.024	3.137	3.303	3.551	3.615	3.607	3.563	3.540	3.547	3.473	3.508	3.533	3.600	3.571	3.444	3.454	3.402	3.425	3.437	3.419	3.411	3.403	3.406	3.409	3.422	3.434
STATION (km)	+340.000	+350.000	+360.000	+371.739	+380.000	+400.000	+404.670	+420.000	+430.000	+440.000	+460.000	+480.000	+500.000	+510.000	+520.000	+540.000	+560.000	+570.000	+580.000	+600.000	+620.000	+630.000	+640.000	+660.000	+680.000	+700.000	+710.000	+720.000	+748.100	+760.000	+767.965	+780.000	+786.388	+820.000	+840.000	+860.000	+880.000	+900.000	+920.000	+940.000	+960.000	+980.000	+986.211	NO.415	+10.922	+20.000	+35.593	+40.000
CURVE BAND	R=3000.000 L=85.899					R=∞ L=300.506										R=200.000 L=59.284					R=∞ L=188.823					R=500.000 L=49.383																						

THE DEMOCRATIC SOCIALIST REPUBLIC OF SRI LANKA MINISTRY OF HIGHWAYS 	JAPAN INTERNATIONAL COOPERATION AGENCY ORIENTAL CONSULTANTS CO., LTD. NIPPON KOEI CO., LTD. JAPAN ENGINEERING CONSULTANTS CO., LTD.	No. REVISION DATE	THE PRO-POOR EASTERN INFRASTRUCTURE DEVELOPMENT PROJECT		DESIGNED BY:
			PLANE & PROFILE 414+340~415+040		CHECKED BY:
					APPROVED BY:
					DWG. NO. B-073

PLAN
SCALE (1:2000)

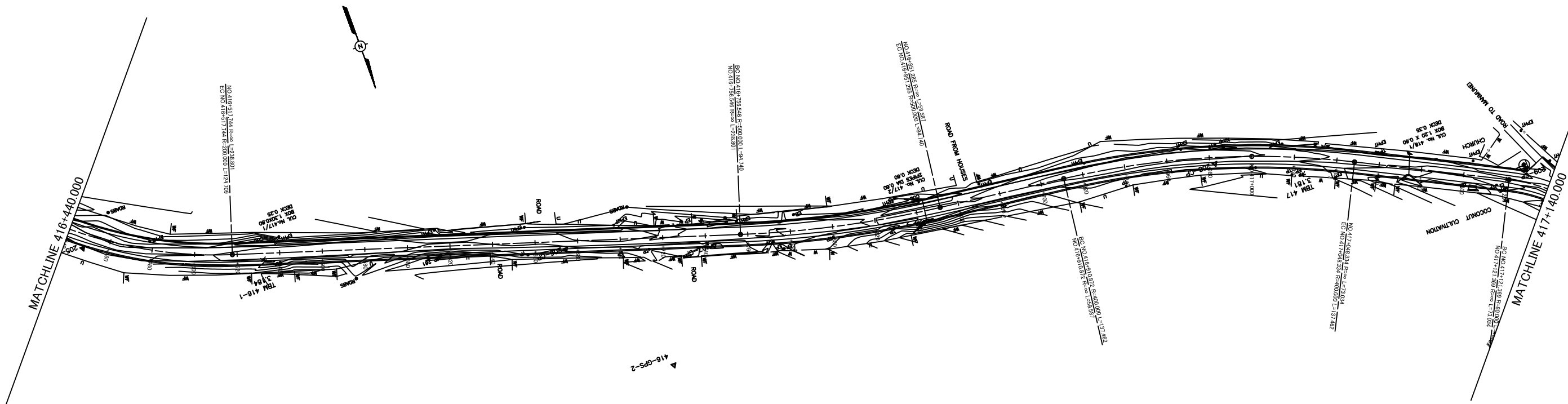


PROFILE
SCALE (H =1:2000 V = 1:400)

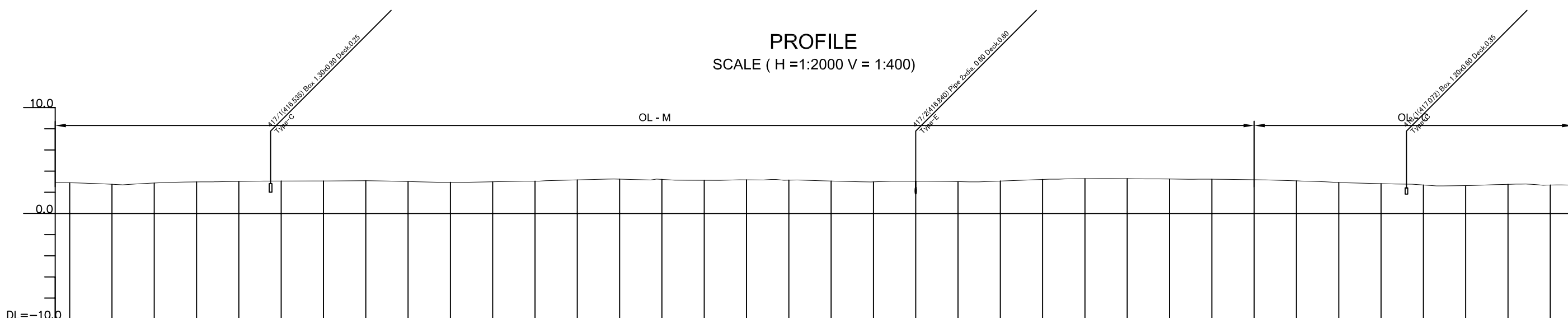


THE DEMOCRATIC SOCIALIST REPUBLIC OF SRI LANKA MINISTRY OF HIGHWAYS 	JAPAN INTERNATIONAL COOPERATION AGENCY ORIENTAL CONSULTANTS CO., LTD. NIPPON KOEI CO., LTD. JAPAN ENGINEERING CONSULTANTS CO., LTD.	No.	REVISION	DATE	THE PRO-POOR EASTERN INFRASTRUCTURE DEVELOPMENT PROJECT PLANE & PROFILE 415+740~416+440	DESIGNED BY:
						CHECKED BY:
						APPROVED BY:
						DWG. NO. B-075

PLAN
SCALE (1:2000)



PROFILE
SCALE (H = 1:2000 V = 1:400)



GRADE																																																								
PROPOSED ROAD LEVELS	VARY																																																							
EXISTING GROUND LEVELS	2.904	2.783	2.883	2.989	3.003	3.038	3.072	3.072	3.073	3.099	3.070	3.023	2.946	2.998	3.042	3.057	3.125	3.180	3.250	3.225	3.145	3.139	3.186	3.183	3.157	3.071	3.048	2.994	3.052	3.053	3.043	3.015	3.072	3.148	3.224	3.274	3.293	3.301	3.295	3.261	3.236	3.242	3.189	3.087	3.025	2.929	2.878	2.820	2.795	2.697	2.612	2.639	2.735	2.769	2.693	2.702
STATION (km)	+440.000	+447.680	+480.000	+500.000	+510.000	+520.000	+540.000	+550.000	+560.000	+580.000	+590.000	+600.000	+620.000	+640.000	+650.000	+660.000	+670.000	+680.000	+700.000	+720.000	+730.000	+740.000	+756.546	+760.000	+780.000	+800.000	+804.058	+820.000	+830.000	+840.000	+851.285	+860.000	+880.000	+890.000	+900.000	+910.872	+920.000	+930.000	+940.000	+960.000	+970.000	+980.000	NO. 417	+20.000	+30.000	+40.000	+48.334	+60.000	+65.000	+80.000	+90.000	+100.000	+115.000	+120.989	+140.000	+144.803
CURVE BAND	R=200.000 L=124.709		R=∞ L=238.801											R=500.000 L=94.740					R=∞ L=59.587				R=400.000 L=137.462				R=∞ L=73.034		R=80.000 L=45.5																											

THE DEMOCRATIC SOCIALIST REPUBLIC OF SRI LANKA
MINISTRY OF HIGHWAYS



JAPAN INTERNATIONAL COOPERATION AGENCY
 ORIENTAL CONSULTANTS CO., LTD.
 NIPPON KOEI CO., LTD.
 JAPAN ENGINEERING CONSULTANTS CO., LTD.

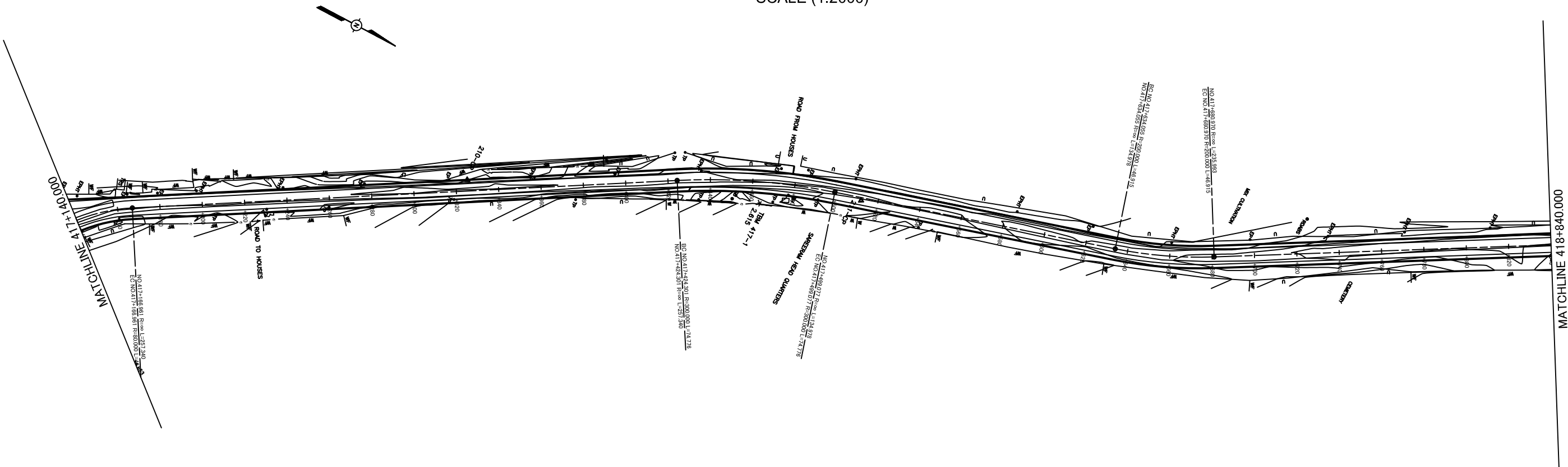
No.	REVISION	DATE

THE PRO-POOR EASTERN INFRASTRUCTURE DEVELOPMENT PROJECT

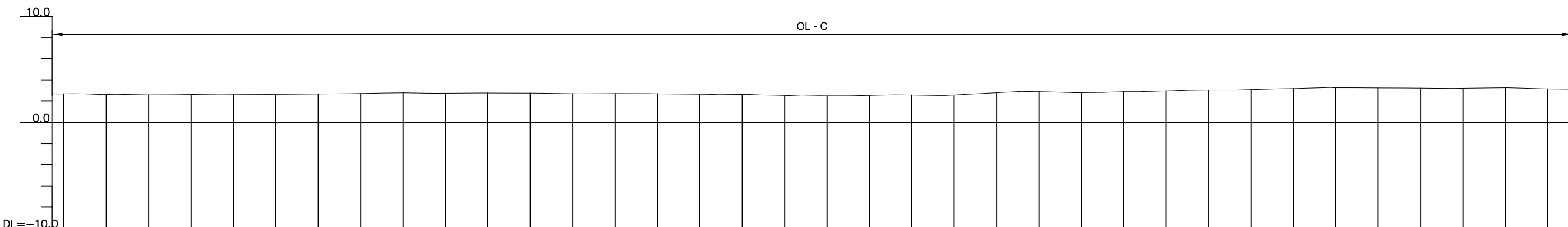
PLANE & PROFILE
416+440~417+140

DESIGNED BY:	
CHECKED BY:	
APPROVED BY:	
DWG. NO.	B-076

PLAN
SCALE (1:2000)



PROFILE
SCALE (H =1:2000 V = 1:400)



GRADE	OL - C																																																		
PROPOSED ROAD LEVELS	VARY																																																		
EXISTING GROUND LEVELS	2.693	2.702	2.637	2.645	2.602	2.637	2.656	2.647	2.675	2.693	2.721	2.782	2.742	2.766	2.752	2.735	2.705	2.719	2.695	2.693	2.655	2.639	2.544	2.510	2.546	2.589	2.580	2.547	2.584	2.687	2.791	2.894	2.885	2.839	2.803	2.823	2.849	2.865	2.904	2.961	3.068	3.098	3.154	3.197	3.268	3.251	3.245	3.231	3.216	3.263	3.167
STATION (km)	+140.000	+144.803	+160.000	+166.961	+180.000	+200.000	+220.000	+240.000	+260.000	+270.000	+280.000	+300.000	+320.000	+340.000	+360.000	+370.000	+380.000	+400.000	+420.000	+424.301	+440.000	+460.000	+480.000	+500.000	+520.000	+530.000	+540.000	+550.000	+560.000	+570.000	+580.000	+590.000	+600.000	+610.000	+620.000	+630.000	+634.055	+640.000	+650.000	+660.000	+680.000	+700.000	+710.000	+720.000	+740.000	+760.000	+770.000	+780.000	+800.000	+820.000	+840.000
CURVE BAND	R=80.000 L=45.593		R=∞ L=257.340										R=300.000 L=74.776		R=∞ L=134.978					R=200.000 L=46.915				R=∞ L=235.993																											

THE DEMOCRATIC SOCIALIST REPUBLIC OF SRI LANKA MINISTRY OF HIGHWAYS 	JAPAN INTERNATIONAL COOPERATION AGENCY ORIENTAL CONSULTANTS CO., LTD. NIPPON KOEI CO., LTD. JAPAN ENGINEERING CONSULTANTS CO., LTD.	THE PRO-POOR EASTERN INFRASTRUCTURE DEVELOPMENT PROJECT		DESIGNED BY:	
		PLANE & PROFILE 417+140~417+840		CHECKED BY:	
				APPROVED BY:	
				DWG. NO.	B-077

No	REVISION	DATE