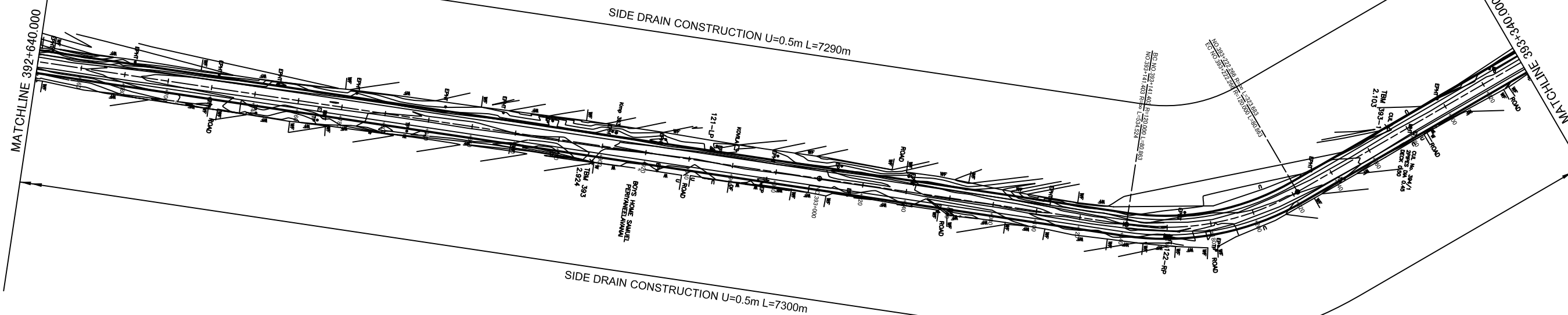
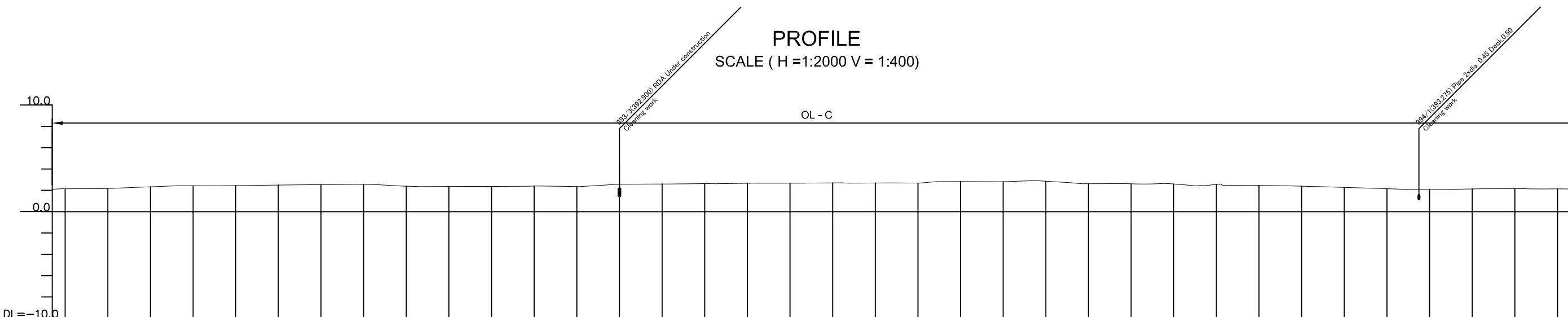


PLAN  
SCALE (1:2000)



PROFILE  
SCALE ( H =1:2000 V = 1:400)



GRADE																																																									
PROPOSED ROAD LEVELS	VARY																																																								
EXISTING GROUND LEVELS	2.156	2.159	2.171	2.213	2.337	2.414	2.440	2.438	2.449	2.488	2.499	2.540	2.566	2.566	2.547	2.389	2.355	2.364	2.375	2.375	2.373	2.377	2.403	2.389	2.357	2.521	2.569	2.597	2.633	2.624	2.666	2.681	2.701	2.692	2.697	2.685	2.831	2.815	2.882	2.861	2.626	2.623	2.600	2.559	2.476	2.465	2.387	2.279	2.249	2.154	2.100	2.066	2.117	2.135	2.161	2.139	2.133
STATION (km)	+640.000	+650.000	+660.000	+665.000	+680.000	+690.000	+700.000	+715.000	+720.000	+735.000	+740.000	+760.000	+780.000	+785.000	+800.000	+810.000	+820.000	+835.000	+840.000	+845.000	+860.000	+870.000	+880.000	+895.000	+900.000	+920.000	+940.000	+945.000	+960.000	+980.000	NO.393	+20.000	+30.000	+40.000	+60.000	+80.000	+90.000	+100.000	+120.000	+140.000	+160.000	+180.000	+183.438	+200.000	+220.000	+240.000	+245.000	+260.000	+270.000	+280.000	+295.000	+300.000	+320.000	+340.000	+345.000		
CURVE BAND																					R=534.524														R=120.000 L=80.883																						

THE DEMOCRATIC SOCIALIST REPUBLIC OF SRI LANKA  
MINISTRY OF HIGHWAYS



**JICA** JAPAN INTERNATIONAL COOPERATION AGENCY  
**OC** ORIENTAL CONSULTANTS CO., LTD.  
**NK** NIPPON KOEI CO., LTD.  
**JEC** JAPAN ENGINEERING CONSULTANTS CO., LTD.

No	REVISION	DATE

THE PRO-POOR EASTERN INFRASTRUCTURE DEVELOPMENT PROJECT

PLANE & PROFILE

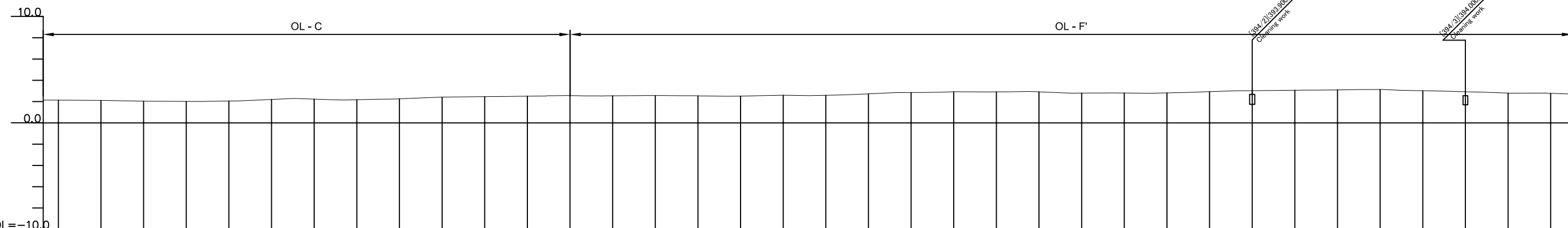
392+640~393+340

DESIGNED BY:	
CHECKED BY:	
APPROVED BY:	
DWG. NO.	B-042

PLAN  
SCALE (1:2000)



PROFILE  
SCALE (H = 1:2000 V = 1:400)



GRADE																																																							
PROPOSED ROAD LEVELS	VARY																																																						
EXISTING GROUND LEVELS	2.139	2.133	2.110	2.048	2.033	2.024	2.057	2.205	2.233	2.179	2.267	2.345	2.424	2.473	2.482	2.510	2.559	2.569	2.545	2.573	2.563	2.543	2.515	2.512	2.540	2.595	2.572	2.599	2.732	2.823	2.852	2.924	2.916	2.917	2.920	2.835	2.793	2.800	2.807	2.816	2.864	2.854	2.854	3.030	3.037	3.069	3.077	3.102	3.130	3.139	3.022	2.924	2.797	2.779	
STATION (km)	+340.000	+345.000	+360.000	+380.000	+390.000	+400.000	+420.000	+440.000	+460.000	+480.000	+500.000	+510.000	+520.000	+540.000	+545.949	+560.000	+570.000	+580.000	+587.688	+620.000	+630.000	+640.000	+648.858	+660.000	+665.407	+680.000	+682.980	+690.000	+698.628	+720.000	+730.000	+740.000	+760.000	+768.848	+780.000	+800.000	+810.000	+815.008	+820.000	+840.000	+856.000	+870.000	+880.000	+882.511	+900.000	+904.105	+920.000	+925.672	+940.000	+950.000	+960.000	+980.000	NO.394	+20.000	+40.000
CURVE BAND	R=∞ L=323.683			R=400.000 L=102.309													R=∞ L=16.548		R=300.000 L=33.272		R=∞ L=70.171		R=200.000 L=90.724			R=∞ L=22.937		R=300.000 L=43.161		R=∞ L=142.058																									

THE DEMOCRATIC SOCIALIST REPUBLIC OF SRI LANKA  
MINISTRY OF HIGHWAYS

**Road Development Authority**

**JICA** JAPAN INTERNATIONAL COOPERATION AGENCY

**ORIENTAL CONSULTANTS CO., LTD.**

**NIPPON KOEI CO., LTD.**

**JEC** JAPAN ENGINEERING CONSULTANTS CO., LTD.

No.	REVISION	DATE

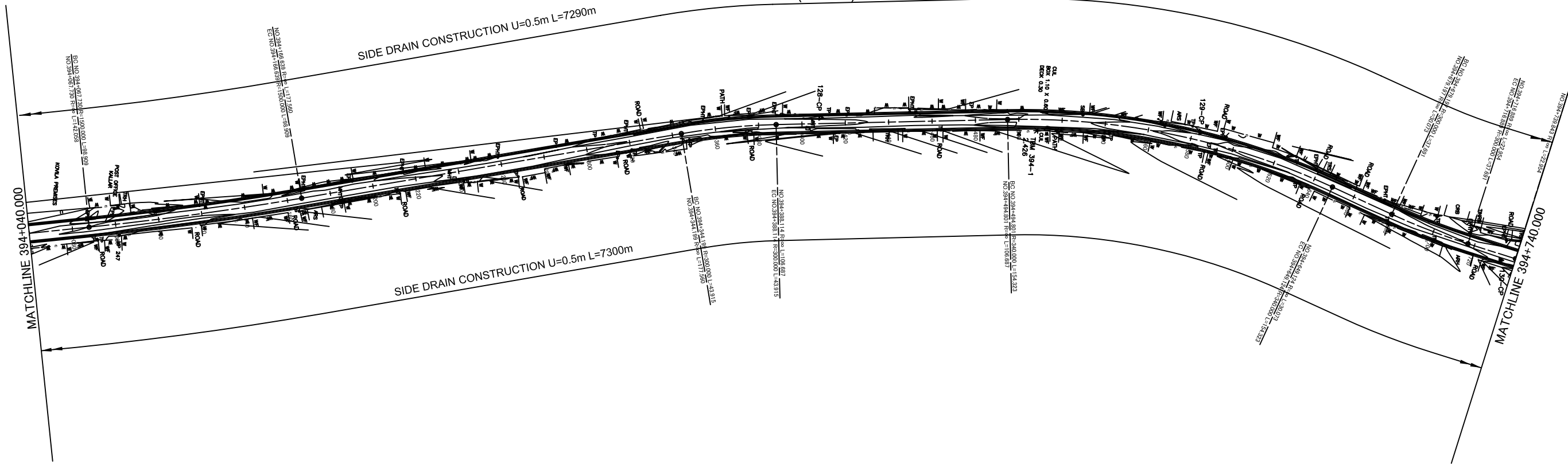
THE PRO-POOR EASTERN INFRASTRUCTURE DEVELOPMENT PROJECT

PLANE & PROFILE

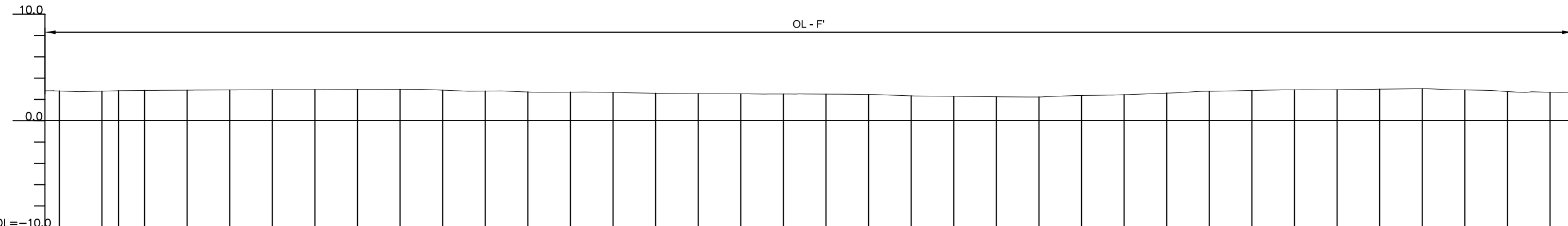
393+340~394+040

DESIGNED BY:	
CHECKED BY:	
APPROVED BY:	
DWG. NO.	B-043

PLAN  
SCALE (1:2000)



PROFILE  
SCALE ( H =1:2000 V = 1:400)



GRADE																																																						
PROPOSED ROAD LEVELS	VARY																																																					
EXISTING GROUND LEVELS	2.779	2.760	2.803	2.832	2.843	2.858	2.873	2.894	2.907	2.907	2.916	2.921	2.927	2.854	2.771	2.687	2.669	2.649	2.566	2.526	2.521	2.514	2.504	2.497	2.500	2.482	2.447	2.319	2.282	2.273	2.244	2.226	2.220	2.215	2.332	2.354	2.428	2.578	2.717	2.755	2.826	2.841	2.888	2.896	2.920	2.946	2.971	2.984	2.897	2.768	2.683	2.658		
STATION (km)	+40.000	+60.000	+67.730	+80.000	+90.000	+100.000	+112.000	+140.000	+160.000	+166.639	+180.000	+190.000	+200.000	+220.000	+240.000	+260.000	+280.000	+300.000	+320.000	+340.000	+344.199	+360.000	+366.195	+380.000	+388.114	+400.000	+420.000	+440.000	+460.000	+465.000	+480.000	+480.000	+494.501	+500.000	+515.000	+520.000	+540.000	+560.000	+573.315	+580.000	+600.000	+605.000	+620.000	+640.000	+649.124	+660.000	+670.000	+688.000	+688.000	+688.000	+716.889	+720.000	+735.000	+740.000
CURVE BAND	R=1500.000 L=98.909						R=∞ L=177.560						R=300.000 L=43.015						R=∞ L=106.687						R=140.000 L=154.323						R=∞ L=30.073			R=300.000 L=37.691			R=∞ L=22.954																	

THE DEMOCRATIC SOCIALIST REPUBLIC OF SRI LANKA  
MINISTRY OF HIGHWAYS

**Road Development Authority**

**jica** JAPAN INTERNATIONAL COOPERATION AGENCY

**OC** ORIENTAL CONSULTANTS CO., LTD.

**NK** NIPPON KOEI CO., LTD.

**JEC** JAPAN ENGINEERING CONSULTANTS CO., LTD.

No	REVISION	DATE

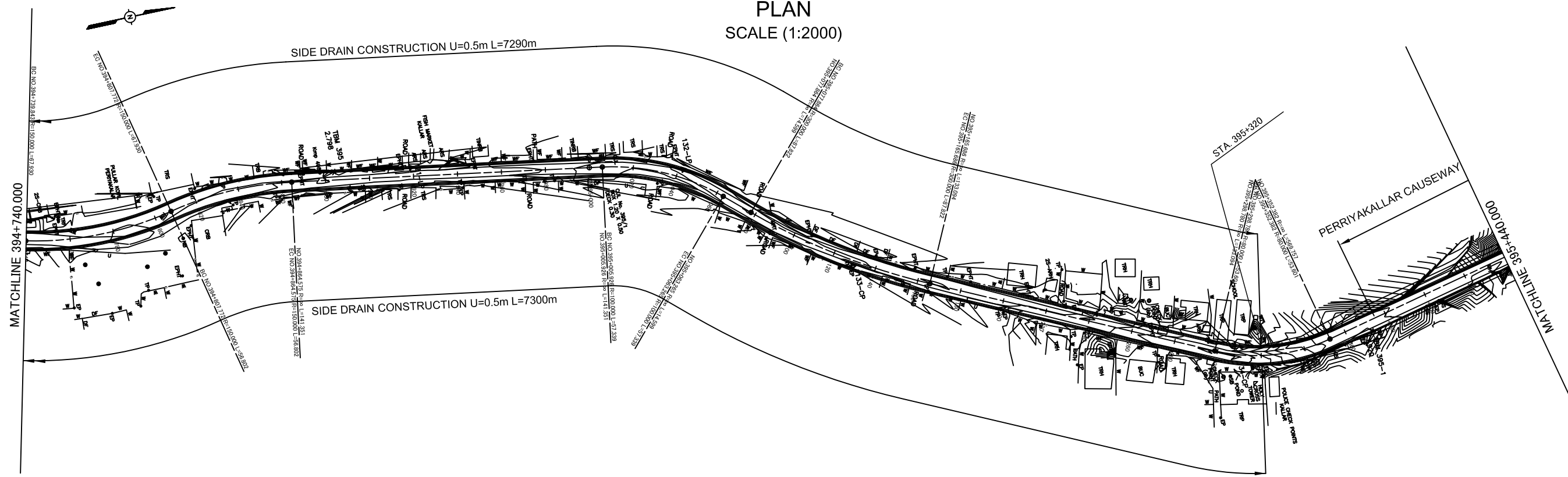
THE PRO-POOR EASTERN INFRASTRUCTURE DEVELOPMENT PROJECT

PLANE & PROFILE

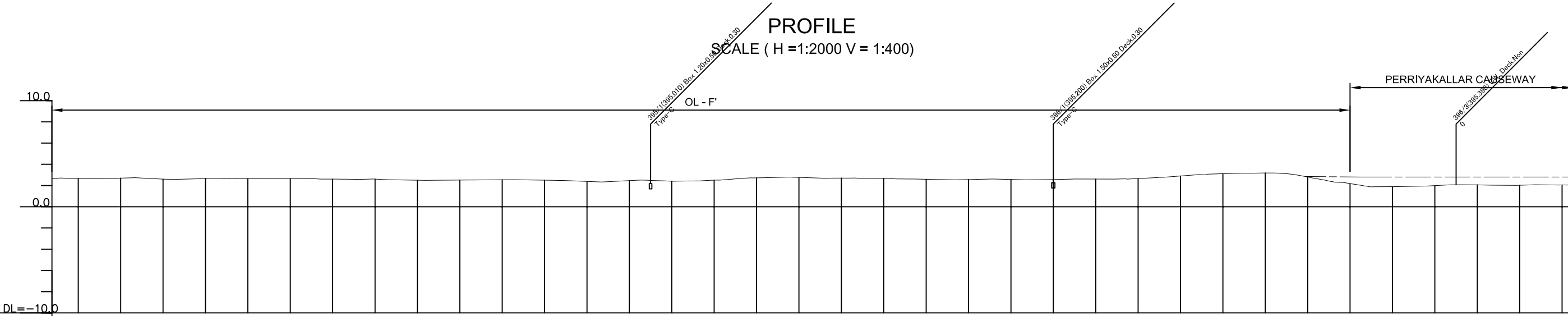
394+040~394+740

DESIGNED BY:	
CHECKED BY:	
APPROVED BY:	
DWG. NO.	B-044

PLAN  
SCALE (1:2000)



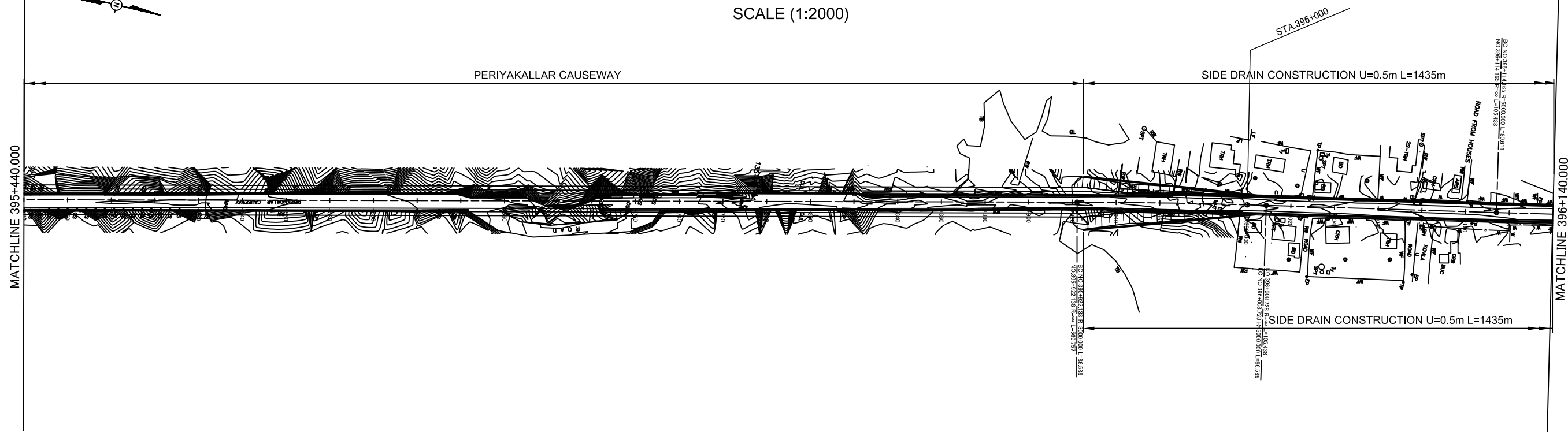
PROFILE  
SCALE (H = 1:2000 V = 1:400)



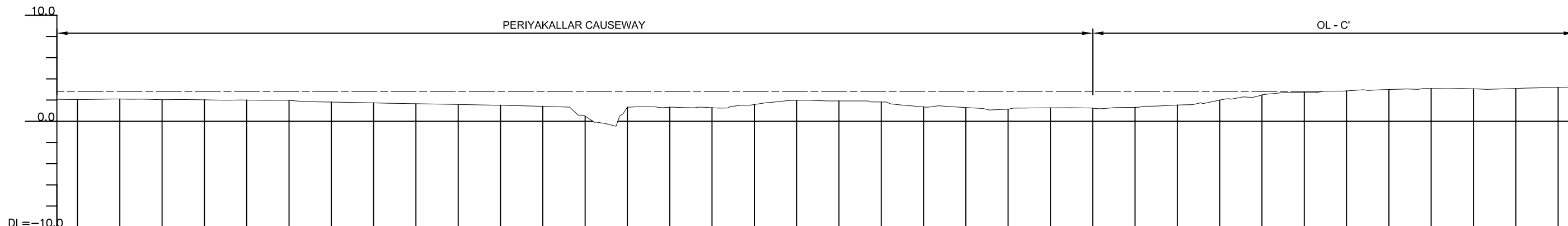
GRADE																																																											
PROPOSED ROAD LEVELS	VARY																																																										
EXISTING GROUND LEVELS	2.683	2.658	2.697	2.655	2.598	2.589	2.676	2.663	2.648	2.653	2.648	2.605	2.600	2.608	2.499	2.516	2.544	2.501	2.388	2.414	2.463	2.508	2.408	2.463	2.500	2.545	2.719	2.732	2.766	2.773	2.695	2.698	2.656	2.586	2.548	2.562	2.589	2.569	2.549	2.565	2.609	2.612	2.659	2.898	2.972	3.113	3.141	3.188	3.172	2.804	2.968	2.184	2.022	1.882	1.889	1.989	2.061	2.021	2.054
STATION (km)	+735.000	+749.940	+760.000	+774.400	+780.000	+785.000	+800.000	+807.772	+820.000	+836.518	+840.000	+860.000	+864.575	+880.000	+900.000	+920.000	+940.000	+960.000	+980.000	+995.000	+NO. 395	+5.926	+20.000	+35.408	+40.000	+45.000	+60.000	+63.285	+70.000	+76.864	+95.000	+100.000	+120.000	+140.000	+150.000	+160.000	+165.686	+180.000	+195.000	+200.000	+220.000	+230.000	+240.000	+260.000	+265.000	+280.000	+285.000	+305.000	+320.000	+328.899	+340.000	+345.000	+352.382	+360.000	+360.000	+400.000	+420.000	+440.000	
CURVE BAND	R=150.000 L=67.930		R=150.000 L=56.802		R=∞		R=∞		R=∞		R=∞		R=∞		R=∞		R=∞		R=∞		R=∞		R=∞		R=100.000 L=57.339		R=∞		R=∞		R=∞		R=∞		R=∞		R=∞		R=∞		R=∞		R=∞		R=∞		R=∞		R=80.000 L=53.801										

<p>THE DEMOCRATIC SOCIALIST REPUBLIC OF SRI LANKA MINISTRY OF HIGHWAYS</p>	<p>JICA JAPAN INTERNATIONAL COOPERATION AGENCY</p> <p>ORIENTAL CONSULTANTS CO., LTD.</p> <p>NIPPON KOEI CO., LTD.</p> <p>JEC JAPAN ENGINEERING CONSULTANTS CO., LTD.</p>	<table border="1"> <tr><td>No.</td><td>REVISION</td><td>DATE</td></tr> <tr><td> </td><td> </td><td> </td></tr> <tr><td> </td><td> </td><td> </td></tr> <tr><td> </td><td> </td><td> </td></tr> </table>	No.	REVISION	DATE										<p>THE PRO-POOR EASTERN INFRASTRUCTURE DEVELOPMENT PROJECT</p> <p>PLANE &amp; PROFILE</p> <p>394+740~395+440</p>	DESIGNED BY:
			No.	REVISION	DATE											
CHECKED BY:																
APPROVED BY:																
DWG. NO.	B-045															

PLAN  
SCALE (1:2000)



PROFILE  
SCALE ( H =1:2000 V = 1:400)



GRADE																																											
PROPOSED ROAD LEVELS	VARY																																										
EXISTING GROUND LEVELS	2.054	2.097	2.032	2.022	1.996	1.962	1.808	1.735	1.652	1.579	1.505	1.407	0.481	1.327	1.324	1.276	1.580	1.973	1.912	1.817	1.350	1.291	1.131	1.263	1.797	1.312	1.529	1.561	1.695	1.996	2.480	2.673	2.728	2.830	2.864	2.996	3.064	3.061	3.017	3.055	3.092	3.149	3.196
STATION (km)	+440.000	+460.000	+480.000	+500.000	+520.000	+540.000	+560.000	+580.000	+600.000	+620.000	+640.000	+660.000	+680.000	+700.000	+720.000	+740.000	+760.000	+780.000	+800.000	+820.000	+840.000	+860.000	+880.000	+900.000	+920.000	+940.000	+960.000	+965.436	+970.000	+980.000	NO.396	+8.728	+20.000	+30.000	+40.000	+60.000	+80.000	+100.000	+105.000	+114.165	+120.000	+130.000	+140.000
CURVE BAND													R=88 L=569.757					R=3000.000 L=86.589					R=88 L=105.438																				

THE DEMOCRATIC SOCIALIST REPUBLIC OF SRI LANKA  
MINISTRY OF HIGHWAYS



**jica** JAPAN INTERNATIONAL COOPERATION AGENCY  
**OC** ORIENTAL CONSULTANTS CO., LTD.  
**NK** NIPPON KOEI CO., LTD.  
**JEC** JAPAN ENGINEERING CONSULTANTS CO., LTD.

No	REVISION	DATE

THE PRO-POOR EASTERN INFRASTRUCTURE DEVELOPMENT PROJECT

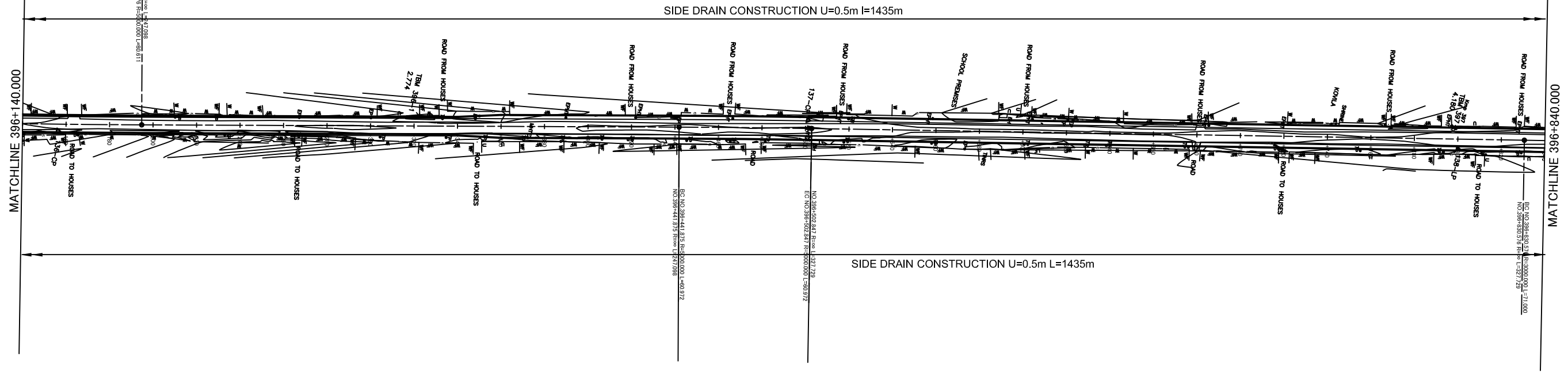
PLANE & PROFILE

395+440~396+140

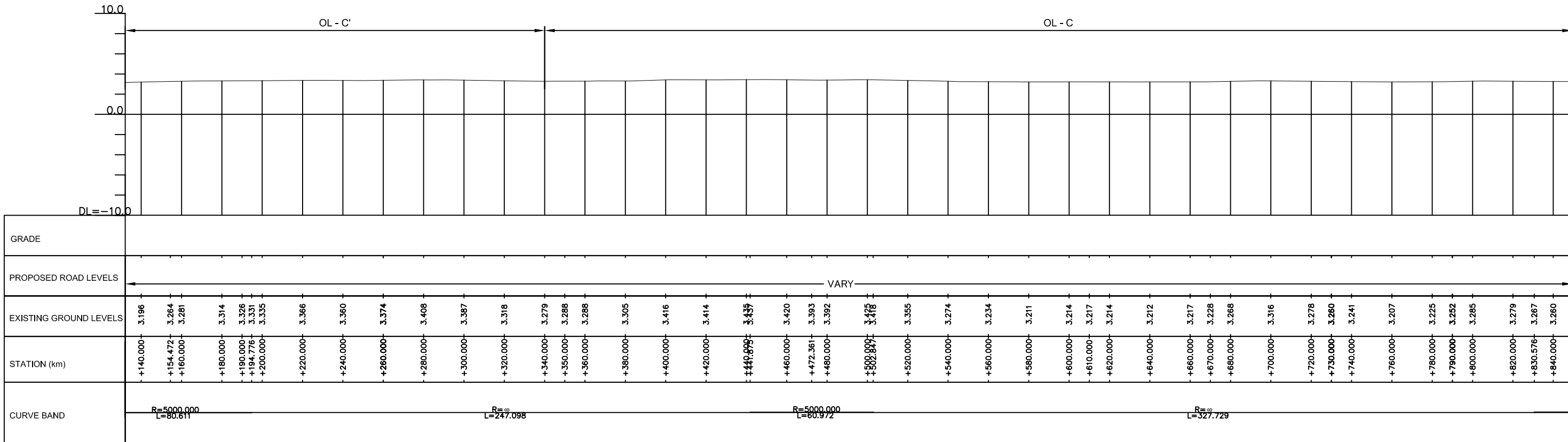
DESIGNED BY:	
CHECKED BY:	
APPROVED BY:	
DWG. NO.	B-046



PLAN  
SCALE (1:2000)



PROFILE  
SCALE ( H =1:2000 V = 1:400)



THE DEMOCRATIC SOCIALIST REPUBLIC OF SRI LANKA  
MINISTRY OF HIGHWAYS



JAPAN INTERNATIONAL COOPERATION AGENCY  
 ORIENTAL CONSULTANTS CO., LTD.  
 NIPPON KOEI CO., LTD.  
 JAPAN ENGINEERING CONSULTANTS CO., LTD.

No	REVISION	DATE

THE PRO-POOR EASTERN INFRASTRUCTURE DEVELOPMENT PROJECT

PLANE & PROFILE  
396+140~396+840

DESIGNED BY:	
CHECKED BY:	
APPROVED BY:	
DWG. NO.	B-047