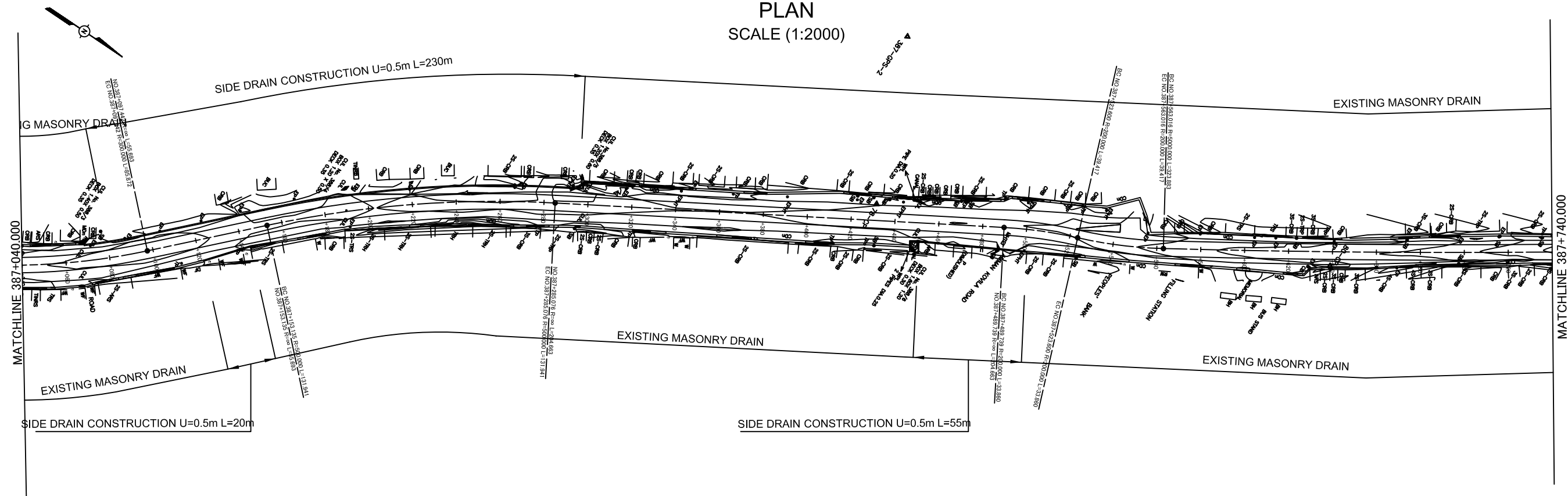
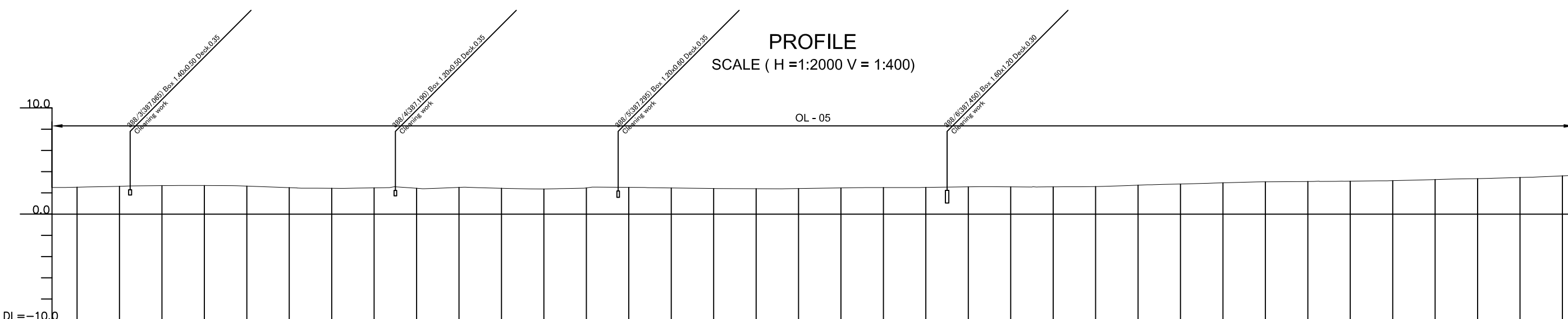


PLAN  
SCALE (1:2000)



PROFILE  
SCALE (H = 1:2000 V = 1:400)



GRADE																																																										
PROPOSED ROAD LEVELS	VARY																																																									
EXISTING GROUND LEVELS	2.541	2.599	2.619	2.675	2.683	2.699	2.640	2.604	2.496	2.443	2.437	2.461	2.476	2.435	2.516	2.436	2.377	2.368	2.472	2.544	2.537	2.523	2.468	2.456	2.415	2.398	2.411	2.457	2.472	2.500	2.501	2.518	2.573	2.585	2.570	2.556	2.573	2.580	2.594	2.615	2.656	2.729	2.757	2.838	2.853	2.869	2.949	3.044	3.075	3.083	3.107	3.155	3.259	3.311	3.346	3.453	3.478	3.607
STATION (km)	+40.000	+54.802	+60.000	+75.000	+80.000	+87.660	+120.000	+125.000	+140.000	+150.000	+160.000	+175.000	+180.000	+200.000	+221.480	+240.000	+255.000	+260.000	+280.000	+285.076	+290.000	+300.000	+320.000	+325.000	+340.000	+360.000	+380.000	+395.000	+400.000	+410.000	+420.000	+440.000	+460.000	+470.000	+480.000	+489.739	+500.000	+506.710	+520.000	+523.600	+530.000	+540.000	+543.372	+560.000	+563.016	+570.000	+580.000	+600.000	+620.000	+630.000	+640.000	+660.000	+680.000	+690.000	+700.000	+720.000	+725.014	+740.000
CURVE BAND	R=300.000 L=85.872		R=∞ L=55.693		R=500.000 L=131.941		R=∞ L=204.663		R=200.000 L=33.880		R=200.000 L=39.417		R=5000.000 L=323.883																																													

THE DEMOCRATIC SOCIALIST REPUBLIC OF SRI LANKA  
MINISTRY OF HIGHWAYS



**JICA** JAPAN INTERNATIONAL COOPERATION AGENCY

**ORIENTAL CONSULTANTS CO., LTD.**

**NIPPON KOEI CO., LTD.**

**JEEC** JAPAN ENGINEERING CONSULTANTS CO., LTD.

THE PRO-POOR EASTERN INFRASTRUCTURE DEVELOPMENT PROJECT

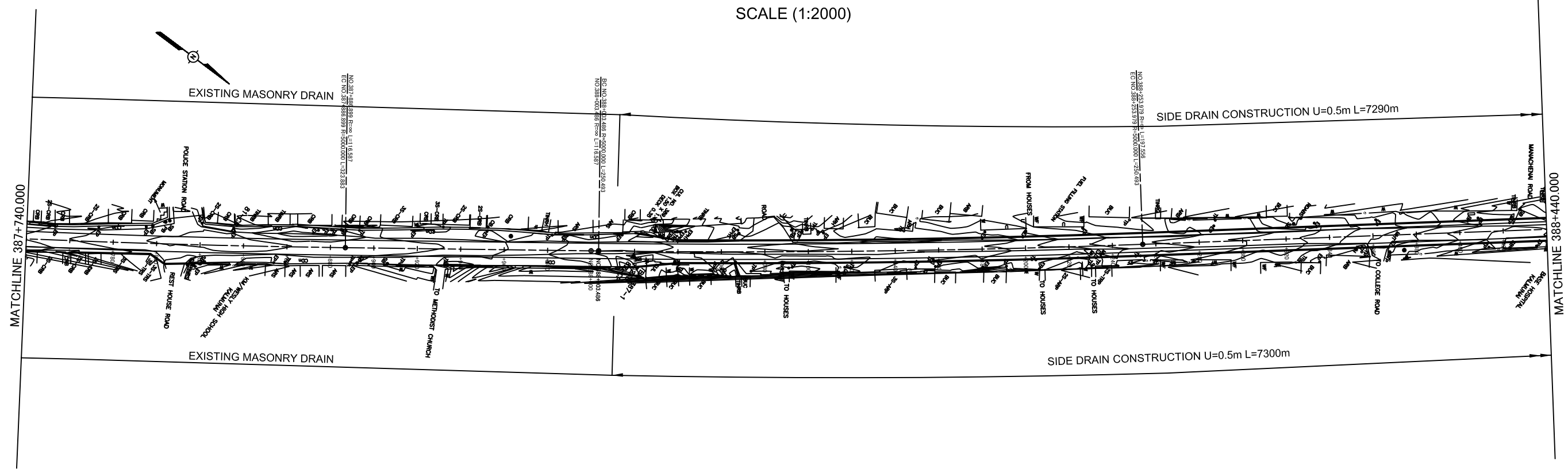
PLANE & PROFILE

387+040~387+740

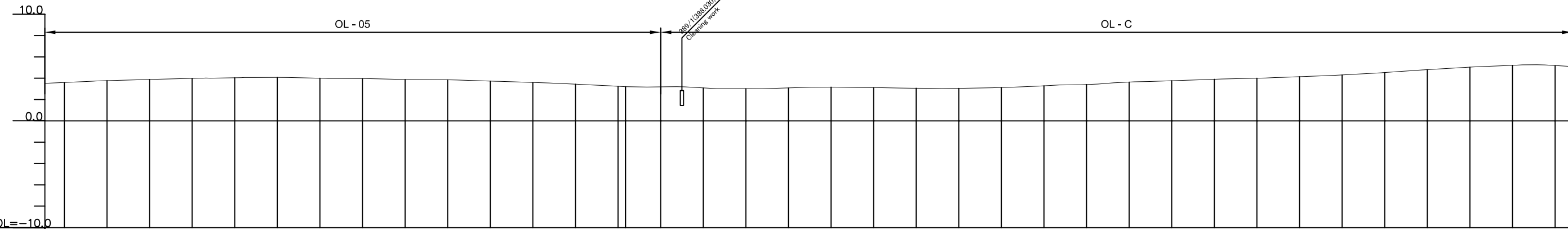
DESIGNED BY:	
CHECKED BY:	
APPROVED BY:	
DWG. NO.	B-034

No	REVISION	DATE

PLAN  
SCALE (1:2000)

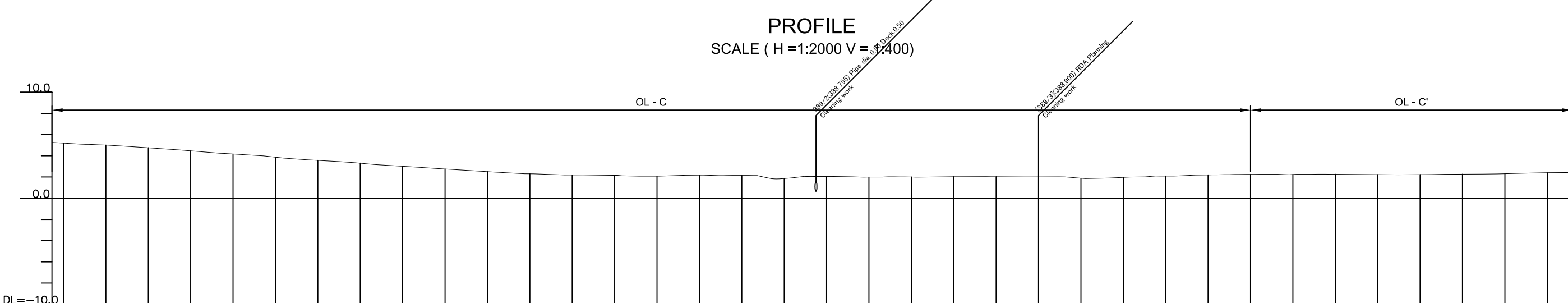
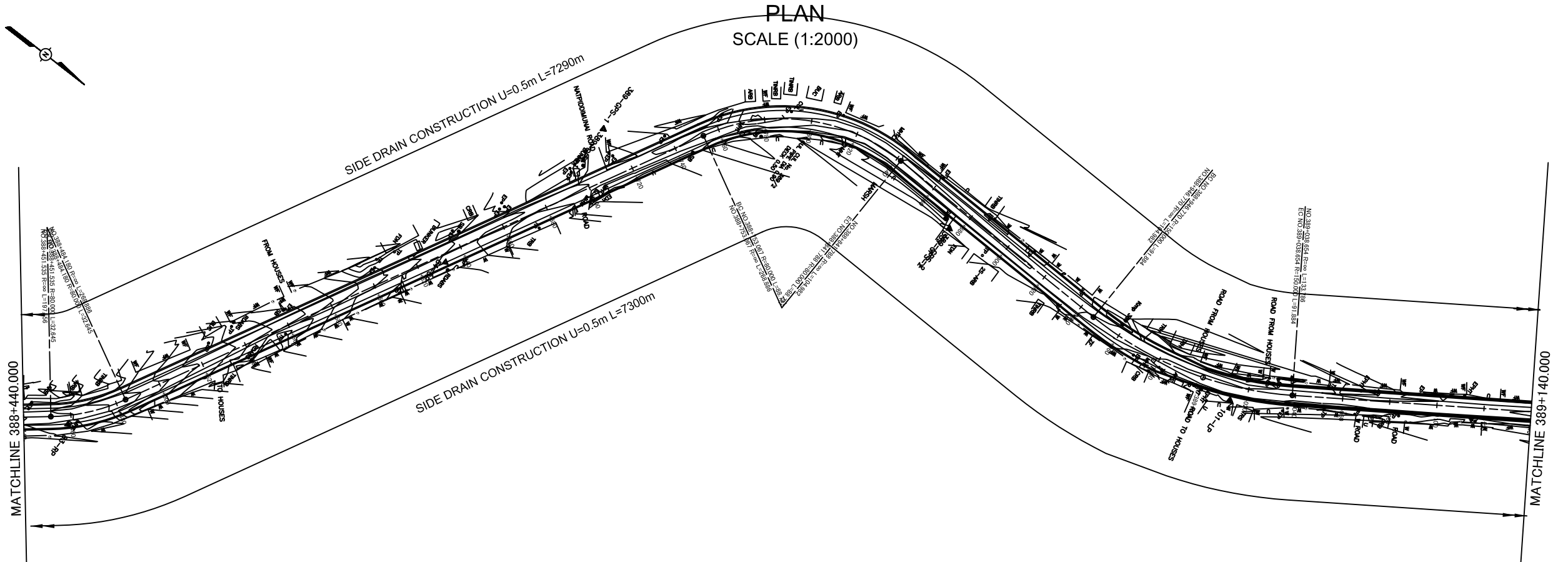


PROFILE  
SCALE (H = 1:2000 V = 1:400)



GRADE																																																					
PROPOSED ROAD LEVELS	VARY																																																				
EXISTING GROUND LEVELS	3.607	3.775	3.888	3.938	3.988	4.046	4.084	4.052	4.004	3.975	3.946	3.884	3.868	3.854	3.735	3.607	3.538	3.443	3.247	3.195	3.202	3.096	3.029	3.023	3.019	3.095	3.158	3.169	3.134	3.130	3.092	3.065	3.055	3.134	3.202	3.294	3.413	3.646	3.703	3.730	3.771	3.906	3.960	4.005	4.147	4.316	4.425	4.537	4.810	5.045	5.212	5.269	5.196
STATION (km)	+740.000	+760.000	+780.000	+790.000	+800.000	+820.000	+840.000	+850.000	+860.000	+880.000	+886.895	+900.000	+910.000	+920.000	+940.000	+960.000	+970.000	+980.000	NO. 388 +3.486	+20.000	+30.000	+40.000	+55.000	+60.000	+65.000	+80.000	+90.000	+100.000	+115.000	+120.000	+136.788	+140.000	+160.000	+180.000	+190.000	+200.000	+220.000	+240.000	+250.000	+253.978	+260.000	+280.000	+290.000	+300.000	+320.000	+340.000	+350.000	+360.000	+380.000	+400.000	+420.000	+430.000	+440.000
CURVE BAND	R=∞ L=883		R=∞ L=116.587												R=5000.000 L=250.493				R=∞ L=197.556																																		

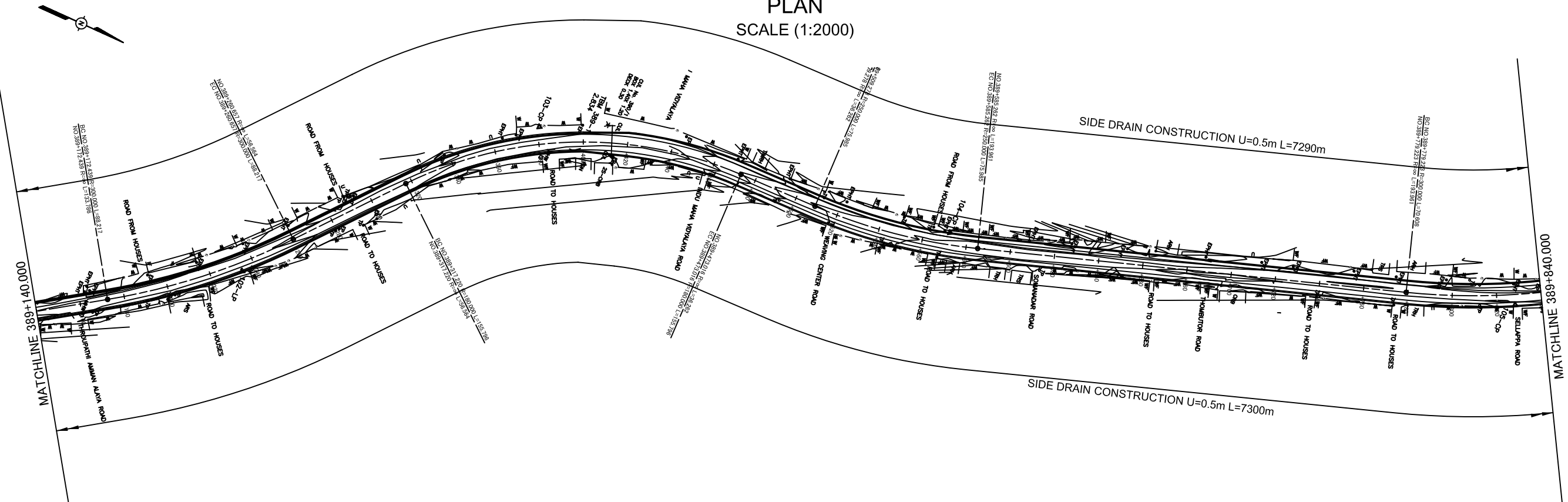
THE DEMOCRATIC SOCIALIST REPUBLIC OF SRI LANKA MINISTRY OF HIGHWAYS  	JAPAN INTERNATIONAL COOPERATION AGENCY ORIENTAL CONSULTANTS CO., LTD. NIPPON KOEI CO., LTD. JAPAN ENGINEERING CONSULTANTS CO., LTD.	THE PRO-POOR EASTERN INFRASTRUCTURE DEVELOPMENT PROJECT		DESIGNED BY:
		PLANE & PROFILE 387+740~388+440		CHECKED BY:
			APPROVED BY:	
			DWG. NO. B-035	
No	REVISION	DATE		



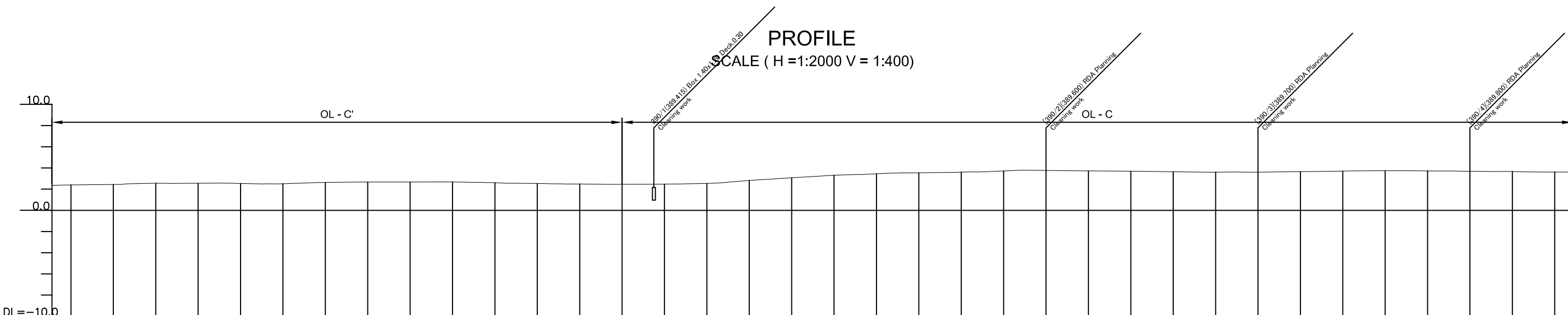
GRADE																																																	
PROPOSED ROAD LEVELS	VARY																																																
EXISTING GROUND LEVELS	5.196	5.076	5.010	4.911	4.752	4.695	4.469	4.170	3.867	3.568	3.306	3.013	2.759	2.635	2.510	2.306	2.194	2.185	2.156	2.085	2.181	2.145	2.152	1.861	2.055	1.994	2.092	2.029	2.029	2.017	2.013	1.885	1.969	2.005	2.014	2.090	2.201	2.244	2.252	2.257	2.243	2.268	2.230	2.210	2.227	2.266	2.311	2.405	
STATION (km)	+440.000	+451.535	+460.000	+468.085	+480.000	+484.180	+500.000	+520.000	+540.000	+560.000	+580.000	+600.000	+620.000	+630.000	+640.000	+660.000	+680.000	+690.000	+700.000	+720.000	+740.000	+753.067	+760.000	+780.000	+800.000	+802.813	+820.000	+840.988	+860.000	+880.000	+890.000	+900.000	+920.000	+940.000	+946.770	+950.000	+960.000	+980.000	+994.204	NO.389	+10.000	+20.000	+48.654	+60.000	+70.000	+80.000	+100.000	+120.000	+140.000
CURVE BAND	R=80.000 L=32.845						R=∞ L=268.886						R=80.000 L=88.721						R=∞ L=104.982						R=150.000 L=91.884						R=∞ L=133.786																		

THE DEMOCRATIC SOCIALIST REPUBLIC OF SRI LANKA MINISTRY OF HIGHWAYS  	JAPAN INTERNATIONAL COOPERATION AGENCY ORIENTAL CONSULTANTS CO., LTD. NIPPON KOEI CO., LTD. JAPAN ENGINEERING CONSULTANTS CO., LTD.	THE PRO-POOR EASTERN INFRASTRUCTURE DEVELOPMENT PROJECT		DESIGNED BY:	
		PLANE & PROFILE 388+440~389+140		CHECKED BY:	
				APPROVED BY:	
				DWG. NO. B-036	
No	REVISION	DATE			

PLAN  
SCALE (1:2000)



PROFILE  
SCALE (H = 1:2000 V = 1:400)



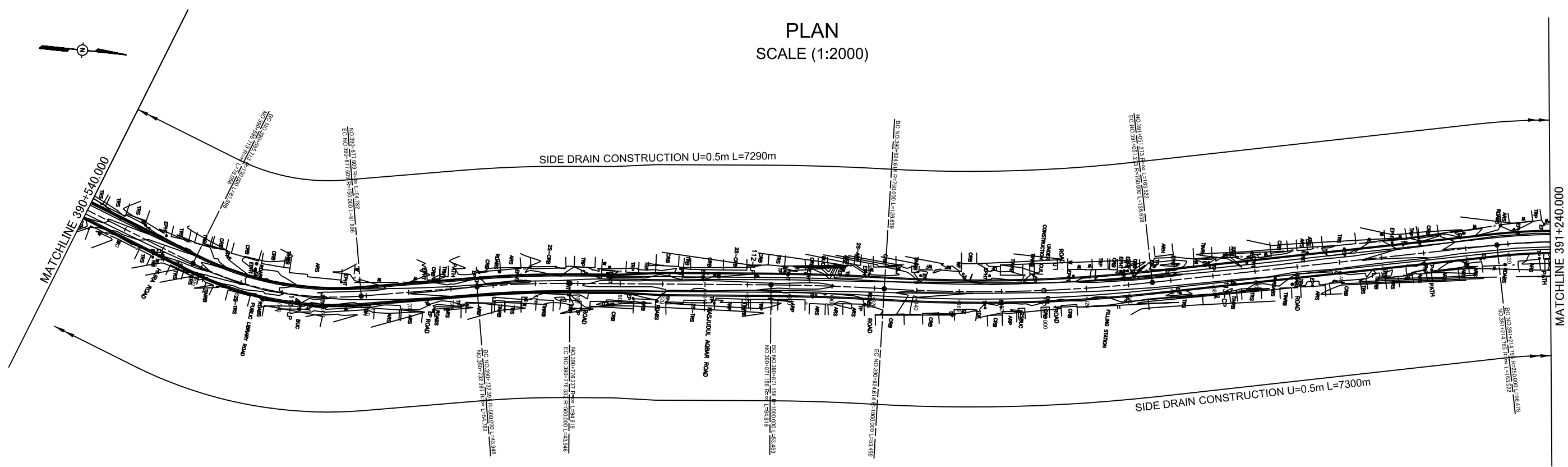
GRADE																																																		
PROPOSED ROAD LEVELS	VARY																																																	
EXISTING GROUND LEVELS	2.405	2.445	2.531	2.565	2.561	2.555	2.531	2.513	2.581	2.638	2.679	2.675	2.685	2.613	2.536	2.489	2.488	2.481	2.544	2.827	2.986	3.075	3.322	3.378	3.460	3.549	3.589	3.605	3.722	3.769	3.792	3.768	3.725	3.696	3.673	3.648	3.605	3.625	3.607	3.654	3.679	3.710	3.744	3.783	3.717	3.693	3.671	3.665	3.616	3.617
STATION (km)	+140.000	+160.000	+172.439	+180.000	+200.000	+216.868	+220.000	+240.000	+250.000	+260.889	+280.000	+300.000	+320.000	+340.000	+360.000	+380.000	+400.000	+420.000	+440.000	+460.000	+473.016	+480.000	+500.000	+508.000	+520.000	+540.000	+547.565	+560.000	+580.000	+585.262	+590.000	+600.000	+620.000	+640.000	+650.000	+660.000	+680.000	+690.000	+700.000	+720.000	+730.000	+740.000	+760.000	+780.000	+790.000	+800.000	+814.691	+820.000	+835.000	+840.000
CURVE BAND					R=300.000 L=88.217				R=∞ L=56.564				R=180.000 L=188.796				R=∞ L=36.282				R=250.000 L=75.985				R=∞ L=193.961				R=300.000 L=70.808																					

THE DEMOCRATIC SOCIALIST REPUBLIC OF SRI LANKA MINISTRY OF HIGHWAYS  	JAPAN INTERNATIONAL COOPERATION AGENCY ORIENTAL CONSULTANTS CO., LTD. NIPPON KOEI CO., LTD. JAPAN ENGINEERING CONSULTANTS CO., LTD.	THE PRO-POOR EASTERN INFRASTRUCTURE DEVELOPMENT PROJECT		DESIGNED BY:
		PLANE & PROFILE 389+140~389+840		CHECKED BY:
				APPROVED BY:
				DWG. NO. B-037
		No	REVISION	DATE

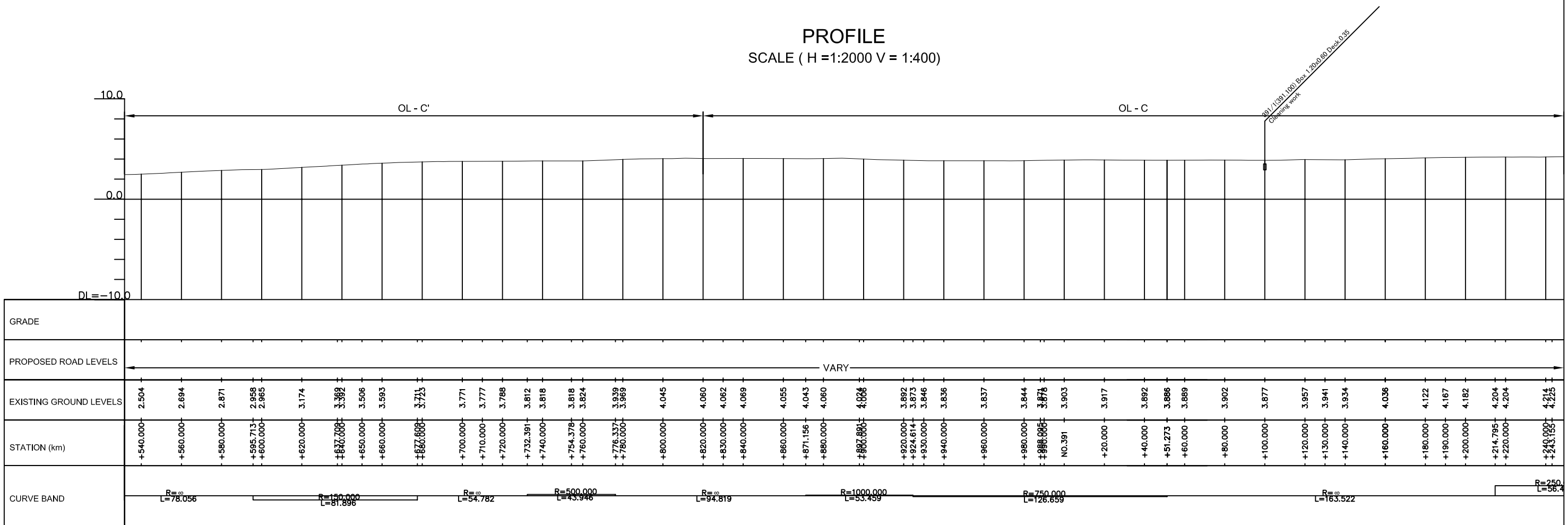




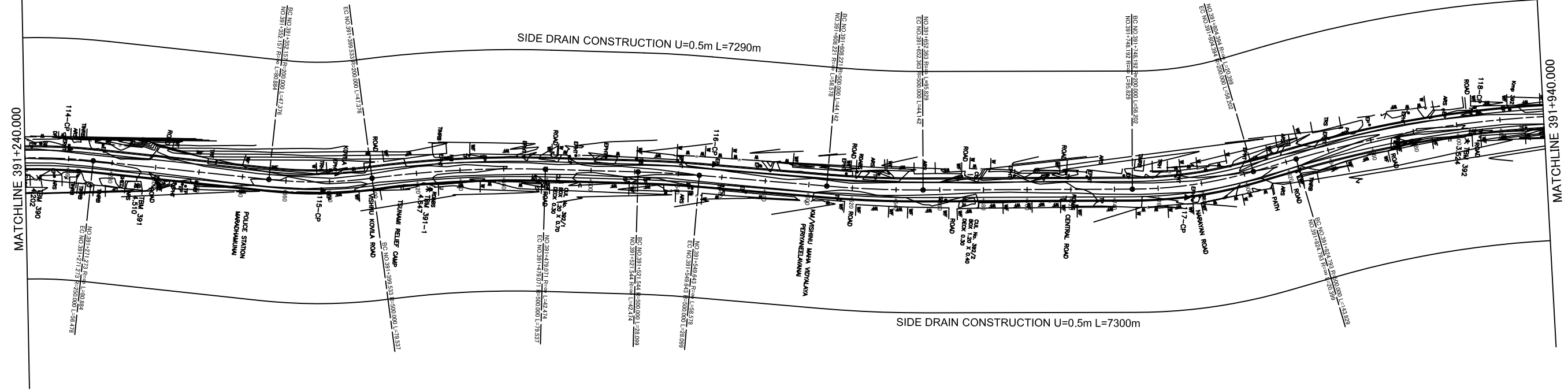
PLAN  
SCALE (1:2000)



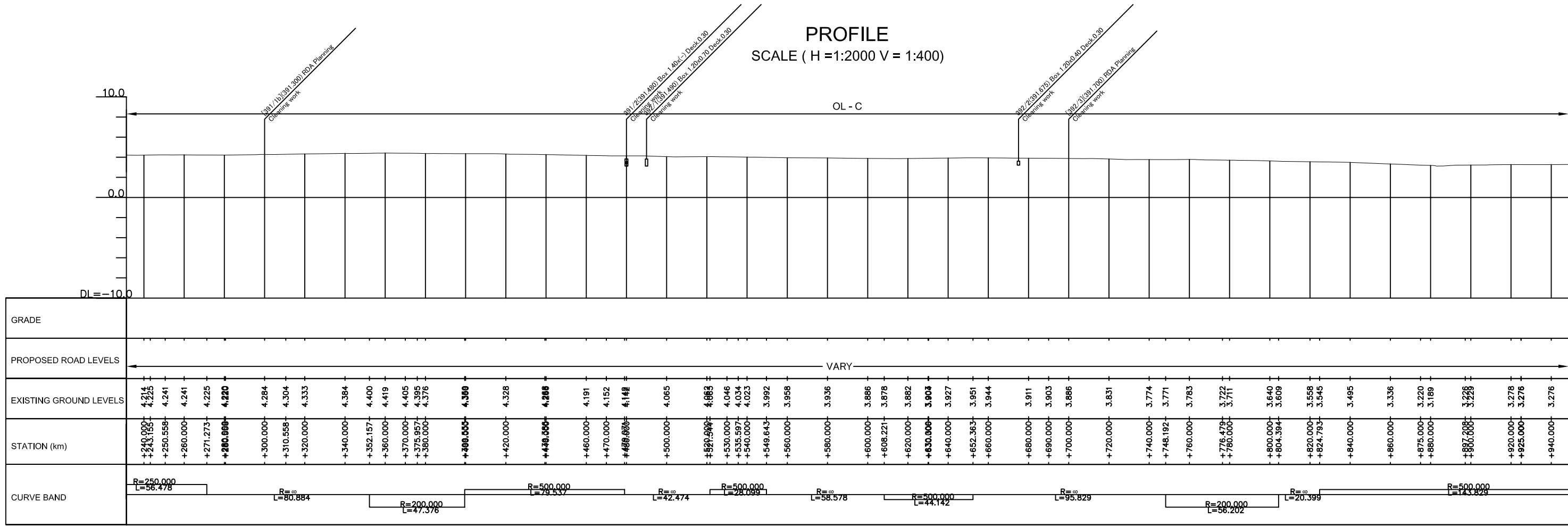
PROFILE  
SCALE ( H =1:2000 V = 1:400)



PLAN  
SCALE (1:2000)



PROFILE  
SCALE ( H =1:2000 V = 1:400)



THE DEMOCRATIC SOCIALIST REPUBLIC OF SRI LANKA  
MINISTRY OF HIGHWAYS



**JICA JAPAN INTERNATIONAL COOPERATION AGENCY**  
**ORIENTAL CONSULTANTS CO., LTD.**  
**NIPPON KOEI CO., LTD.**  
**JEC JAPAN ENGINEERING CONSULTANTS CO., LTD.**

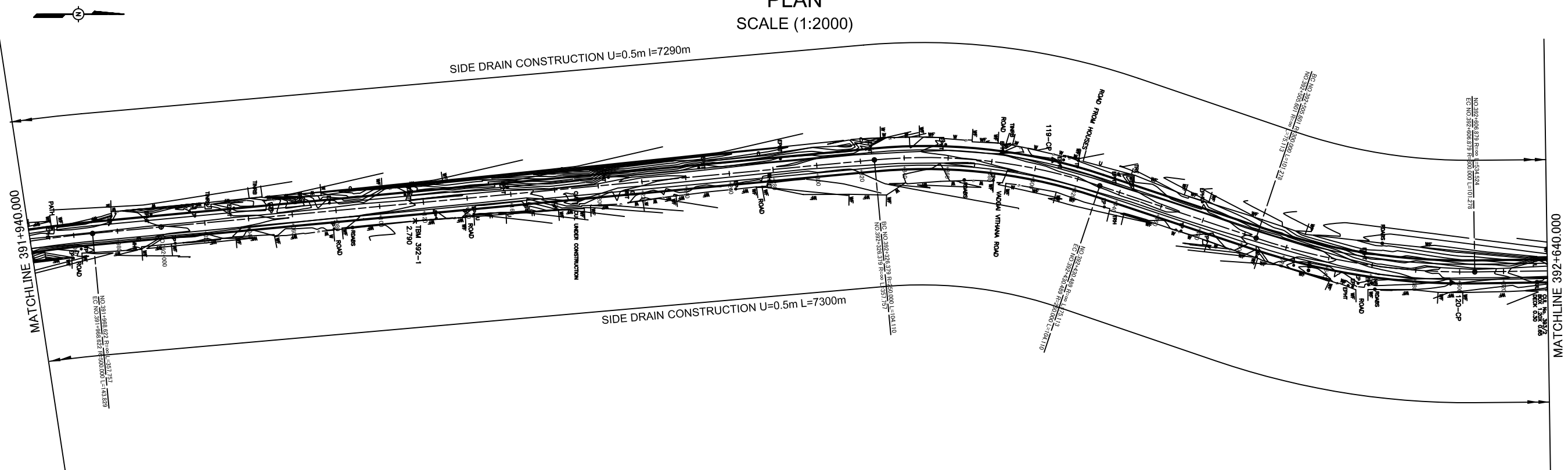
No	REVISION	DATE

THE PRO-POOR EASTERN INFRASTRUCTURE DEVELOPMENT PROJECT

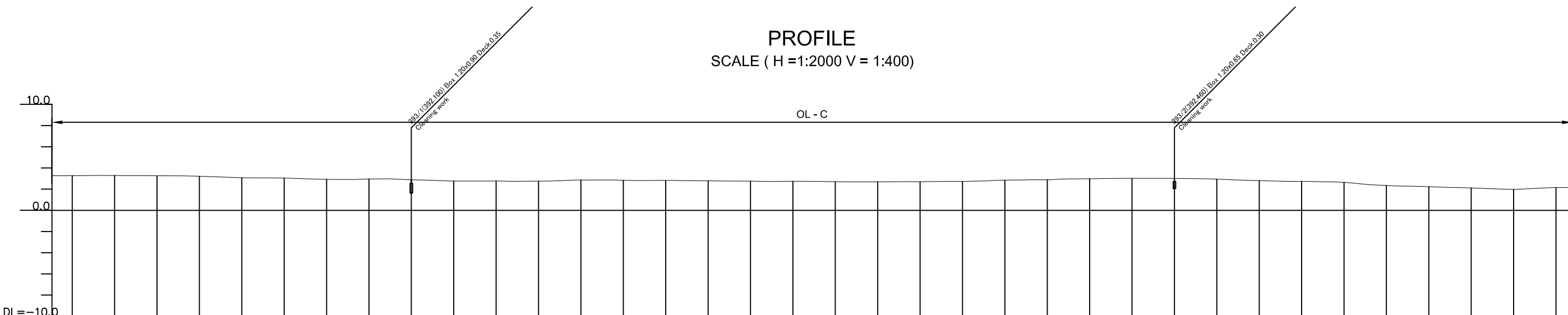
PLANE & PROFILE  
391+240~391+940

DESIGNED BY:	
CHECKED BY:	
APPROVED BY:	
DWG. NO.	B-040

PLAN  
SCALE (1:2000)



PROFILE  
SCALE ( H =1:2000 V = 1:400)



GRADE																																																							
PROPOSED ROAD LEVELS	VARY																																																						
EXISTING GROUND LEVELS	3.276	3.292	3.292	3.281	3.274	3.267		3.222	3.084	3.048	2.928	2.967	2.889	2.772	2.772	2.774	2.761	2.861	2.867	2.842	2.829	2.785	2.762	2.748	2.738	2.711	2.702	2.707	2.705	2.731	2.730	2.889	2.891	2.967	2.988	3.013	3.024	3.023	3.017	2.948	2.873	2.808	2.779	2.757	2.739	2.642	2.380	2.350	2.289	2.234	2.115	2.065	2.044	1.975	2.156
STATION (km)	+940.000	+950.000	+960.000	+966.622	+975.000	+980.000	NO.392	+20.000	+40.000	+60.000	+80.000	+100.000	+120.000	+130.000	+140.000	+160.000	+180.000	+190.000	+200.000	+220.000	+240.000	+260.000	+280.000	+290.000	+300.000	+320.000	+326.379	+340.000	+350.000	+360.000	388.000	+400.000	+410.000	+420.000	+430.489	+440.000	+450.000	+460.000	+480.000	+490.000	+500.000	+506.601	+510.000	+520.000	+540.000	+556.727	+560.000	+570.000	+580.000	+600.000	+610.000	+620.000	+640.000		
CURVE BAND													R=∞ L=357.757														R=250.000 L=104.110				R=∞ L=75.113														R=300.000 L=101.278										

THE DEMOCRATIC SOCIALIST REPUBLIC OF SRI LANKA  
MINISTRY OF HIGHWAYS



**JICA JAPAN INTERNATIONAL COOPERATION AGENCY**  
**ORIENTAL CONSULTANTS CO., LTD.**  
**NIPPON KOEI CO., LTD.**  
**JEC JAPAN ENGINEERING CONSULTANTS CO., LTD.**

No	REVISION	DATE

THE PRO-POOR EASTERN INFRASTRUCTURE DEVELOPMENT PROJECT

PLANE & PROFILE  
391+940~392+640

DESIGNED BY:	
CHECKED BY:	
APPROVED BY:	
DWG. NO.	B-041