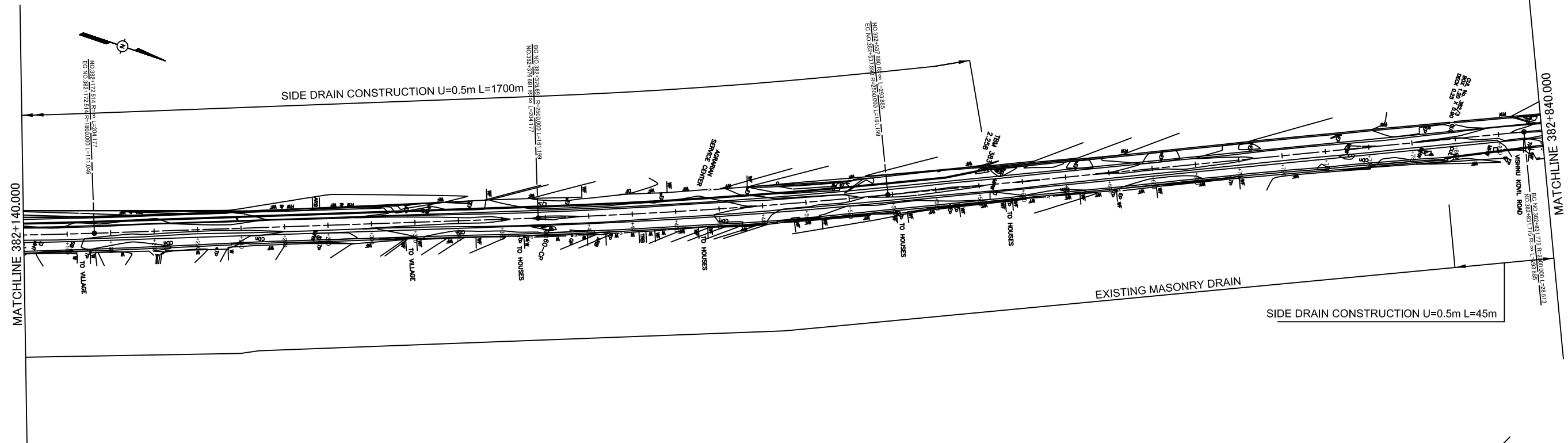
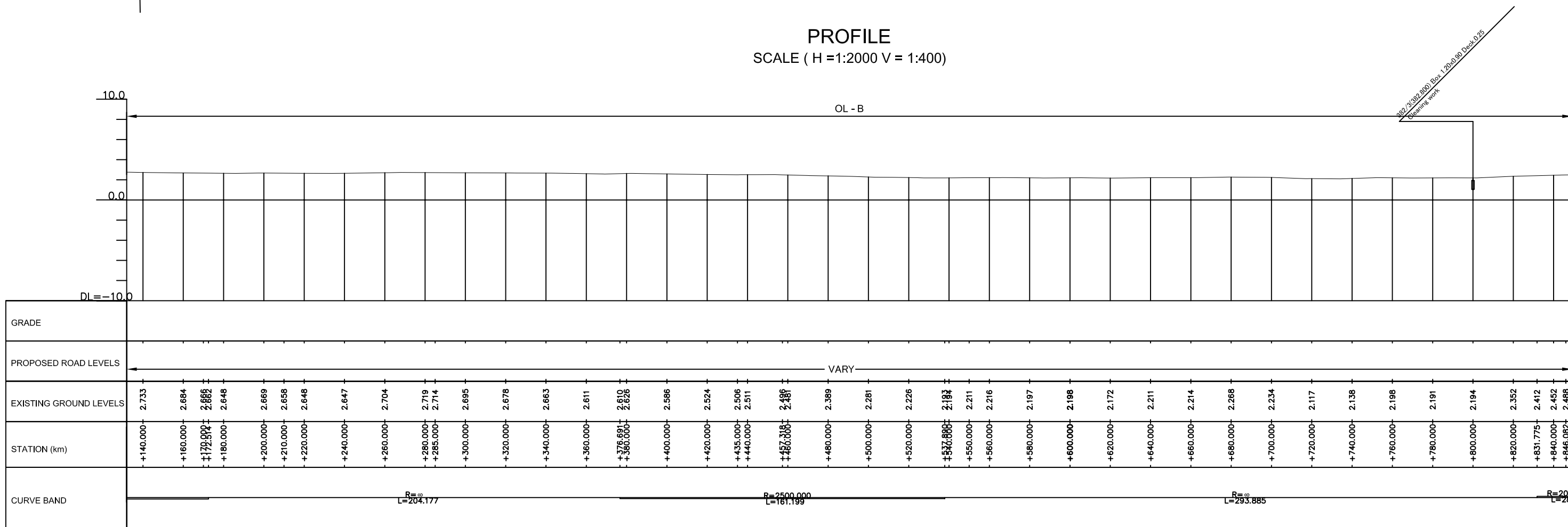


PLAN
SCALE (1:2000)



PROFILE
SCALE (H =1:2000 V = 1:400)



THE DEMOCRATIC SOCIALIST REPUBLIC OF SRI LANKA
MINISTRY OF HIGHWAYS



jica JAPAN INTERNATIONAL COOPERATION AGENCY

ORIENTAL CONSULTANTS CO., LTD.

NIPPON KOEI CO., LTD.

JEC JAPAN ENGINEERING CONSULTANTS CO., LTD.

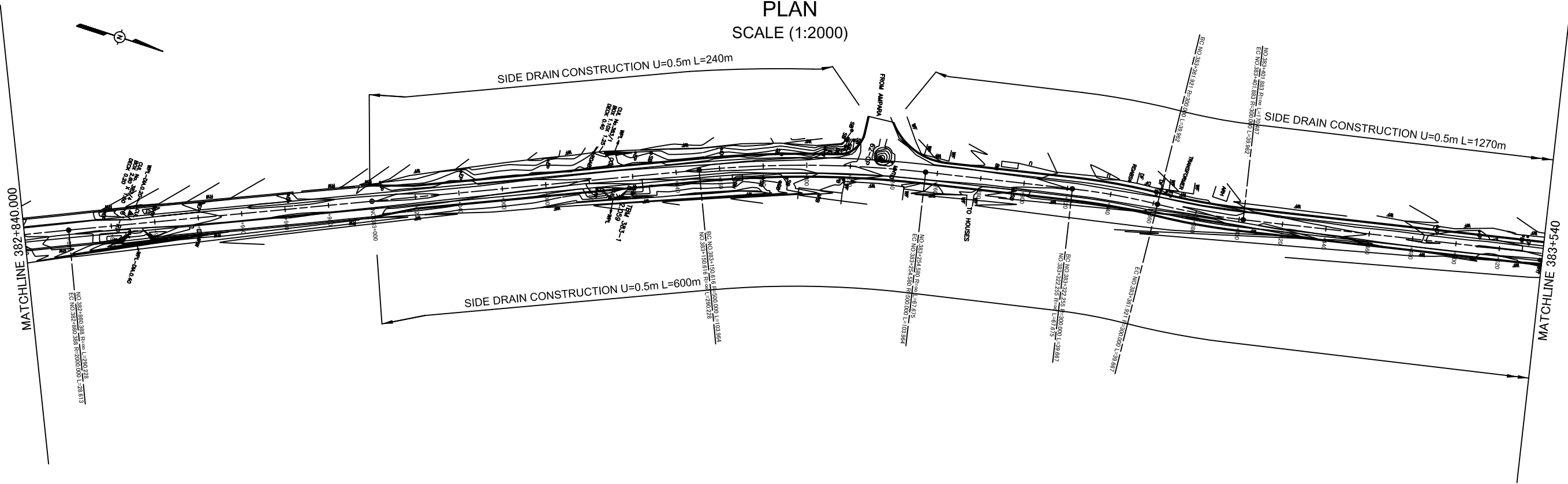
No	REVISION	DATE

THE PRO-POOR EASTERN INFRASTRUCTURE DEVELOPMENT PROJECT

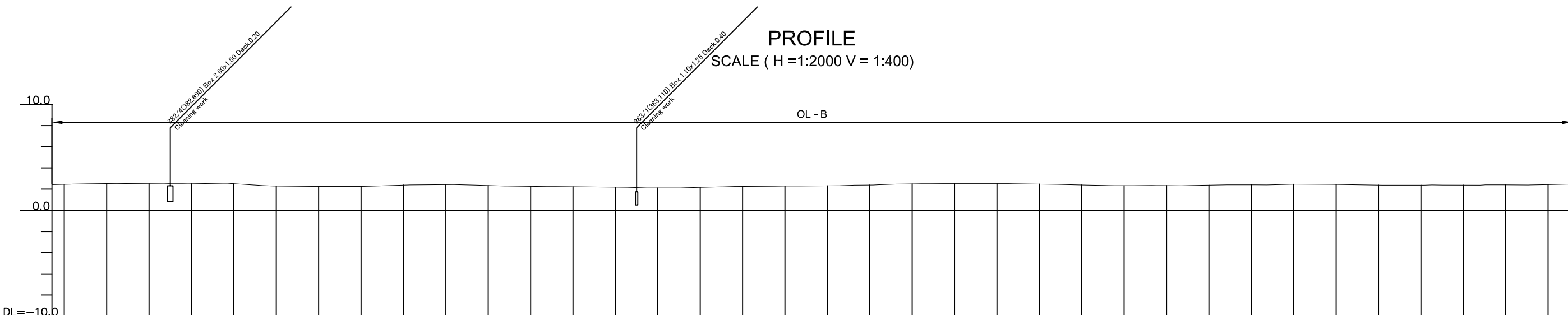
PLANE & PROFILE
382+120~382+840

DESIGNED BY:	
CHECKED BY:	
APPROVED BY:	
DWG. NO.	B-027

PLAN
SCALE (1:2000)



PROFILE
SCALE (H =1:2000 V = 1:400)



GRADE																																																				
PROPOSED ROAD LEVELS	VARY																																																			
EXISTING GROUND LEVELS	2.452	2.488	2.500	2.523	2.513	2.513	2.504	2.513	2.387	2.295	2.265	2.270	2.319	2.384	2.434	2.348	2.294	2.269	2.235	2.192	2.154	2.122	2.173	2.228	2.260	2.298	2.316	2.336	2.381	2.393	2.500	2.519	2.523	2.523	2.475	2.460	2.388	2.336	2.347	2.338	2.328	2.410	2.409	2.462	2.457	2.447	2.384	2.376	2.376	2.380	2.406	2.433
STATION (km)	+840.000	+846.082	+850.000	+860.000	+880.000	+890.000	+900.000	+920.000	+930.000	+940.000	+960.000	+980.000	+990.000	NO.383	+20.000	+40.000	+50.000	+60.000	+80.000	+100.000	+110.000	+120.000	+140.000	+150.616	+160.000	+180.000	+202.000	+202.788	+215.000	+220.000	+240.000	+254.580	+260.000	+280.000	+300.000	+305.000	+322.990	+340.000	+350.000	+360.990	+380.990	+395.000	+400.000	+420.000	+430.000	+440.000	+460.000	+465.000	+480.000	+500.000	+520.000	+540.000
CURVE BAND	R=2000.000 L=28.613			R=∞ L=290.228												R=500.000 L=103.982					R=∞ L=67.675		R=300.000 L=39.667		R=300.000 L=39.982		R=∞ L=170.487																									

THE DEMOCRATIC SOCIALIST REPUBLIC OF SRI LANKA
MINISTRY OF HIGHWAYS



JAPAN INTERNATIONAL COOPERATION AGENCY
 ORIENTAL CONSULTANTS CO., LTD.
 NIPPON KOEI CO., LTD.
 JAPAN ENGINEERING CONSULTANTS CO., LTD.

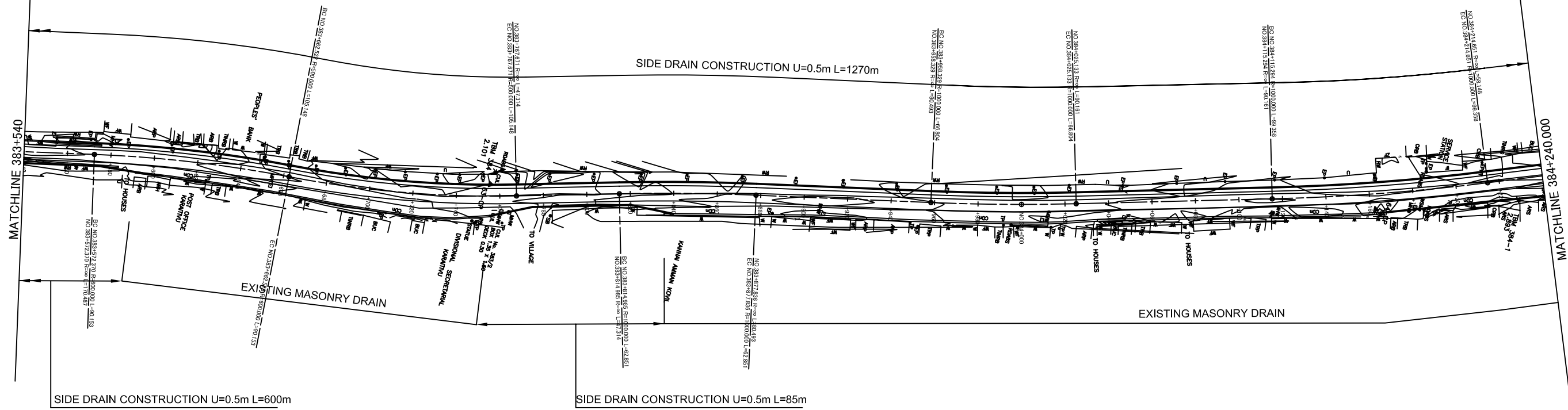
No	REVISION	DATE

THE PRO-POOR EASTERN INFRASTRUCTURE DEVELOPMENT PROJECT

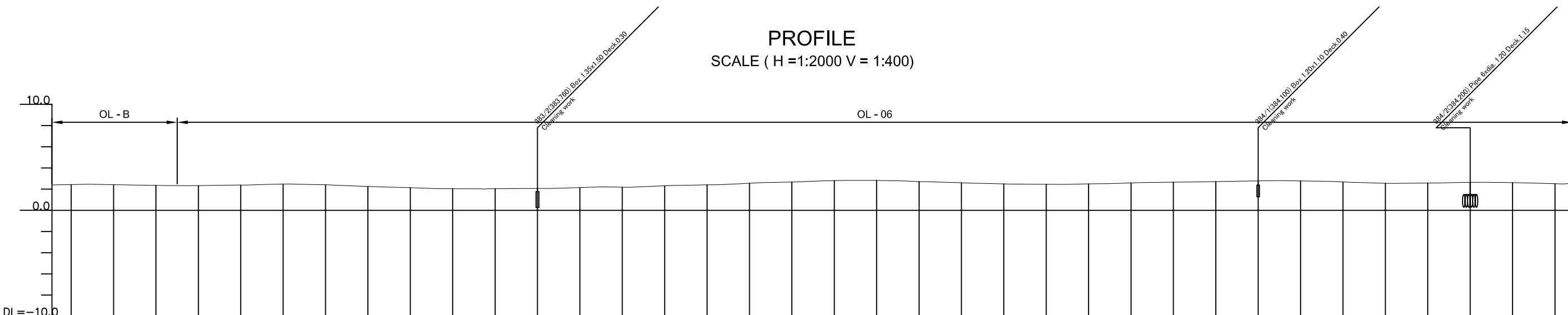
PLANE & PROFILE
382+840~383+540

DESIGNED BY:	
CHECKED BY:	
APPROVED BY:	
DWG. NO.	B-028

PLAN
SCALE (1:2000)



PROFILE
SCALE (H =1:2000 V = 1:400)



GRADE	OL - B																												OL - 06																												OL - 07																											
PROPOSED ROAD LEVELS	VARY																																																																																			
EXISTING GROUND LEVELS	2.433	2.427	2.388	2.358	2.337	2.339	2.363	2.383	2.482	2.491	2.259	2.191	2.136	2.049	2.046	2.036	2.042	2.069	2.068	2.152	2.182	2.275	2.319	2.403	2.429	2.559	2.667	2.805	2.825	2.824	2.712	2.800	2.497	2.477	2.461	2.497	2.514	2.587	2.659	2.712	2.727	2.777	2.805	2.791	2.777	2.728	2.683	2.555	2.543	2.577	2.587	2.639	2.630	2.630	2.618	2.541	2.513																											
STATION (km)	+540.000	+560.000	+579.990	+580.000	+590.000	+600.000	+610.000	+627.530	+640.000	+662.990	+680.000	+690.000	+700.000	+715.292	+720.000	+730.000	+740.000	+760.000	+767.600	+780.000	+800.000	+814.985	+820.000	+840.000	+846.420	+860.000	+867.836	+900.000	+910.000	+920.000	+940.000	+966.366	+980.000	+990.990	NO.384	2.461	+20.000	+25.133	+40.000	+60.000	+80.000	+85.000	+100.000	+110.000	+115.294	+120.000	+135.000	+140.000	+160.000	+165.013	+180.000	+185.000	+200.000	+210.000	+214.851	+220.000	+235.000	+240.000																										
CURVE BAND	R=600.000 L=90.163								R=500.000 L=105.148								R=∞ L=47.314								R=1000.000 L=82.651								R=∞ L=80.493								R=1000.000 L=86.804								R=∞ L=90.161								R=1000.000 L=99.358								R=∞ L=58.8																			

THE DEMOCRATIC SOCIALIST REPUBLIC OF SRI LANKA
MINISTRY OF HIGHWAYS



JAPAN INTERNATIONAL COOPERATION AGENCY
 ORIENTAL CONSULTANTS CO., LTD.
 NIPPON KOEI CO., LTD.
 JAPAN ENGINEERING CONSULTANTS CO., LTD.

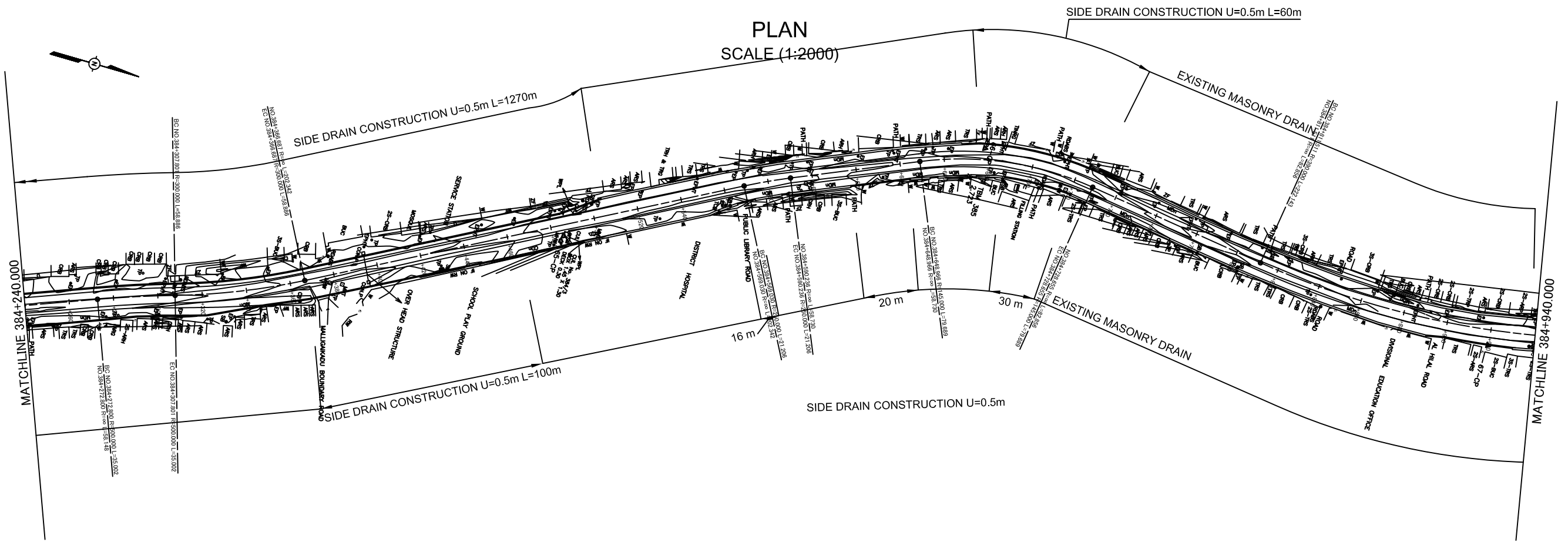
No	REVISION	DATE

THE PRO-POOR EASTERN INFRASTRUCTURE DEVELOPMENT PROJECT

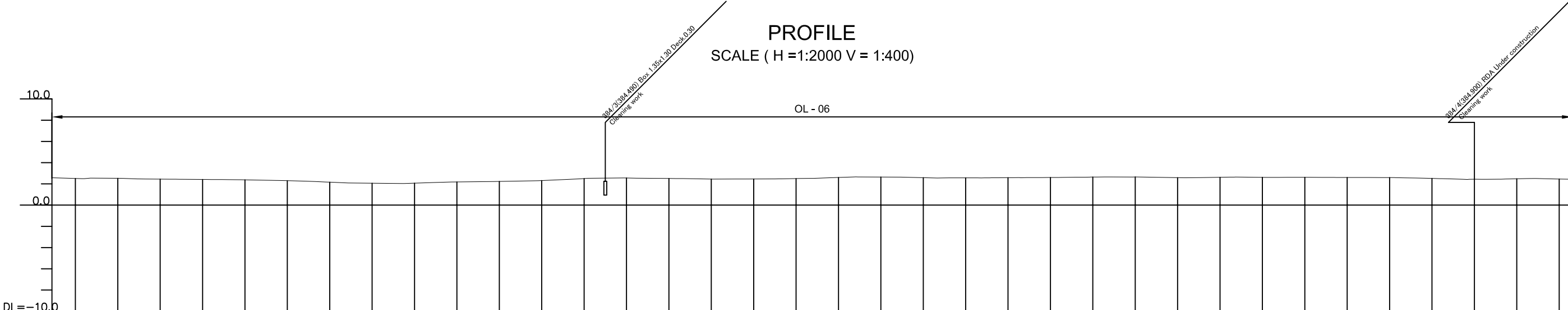
PLANE & PROFILE
383+540~384+240

DESIGNED BY:	
CHECKED BY:	
APPROVED BY:	
DWG. NO.	B-029

PLAN
SCALE (1:2000)



PROFILE
SCALE (H = 1:2000 V = 1:400)



GRADE																																																							
PROPOSED ROAD LEVELS	VARY																																																						
EXISTING GROUND LEVELS	2.541	2.513	2.526	2.460	2.448	2.433	2.417	2.408	2.380	2.316	2.302	2.161	2.102	2.064	2.071	2.184	2.233	2.312	2.501	2.544	2.557	2.512	2.451	2.456	2.458	2.465	2.502	2.534	2.602	2.644	2.631	2.583	2.557	2.571	2.588	2.593	2.604	2.643	2.651	2.618	2.611	2.603	2.598	2.593	2.517	2.443	2.481	2.503	2.458						
STATION (km)	+235.000	+240.000	+260.000	+272.800	+280.000	+290.308	+300.000	+307.801	+320.000	+337.338	+340.000	+360.000	+366.687	+380.000	+400.000	+420.000	+440.000	+460.000	+480.000	+490.000	+500.000	+520.000	+540.000	+550.000	+560.000	+569.030	+586.058	+590.236	+600.000	+620.000	+630.000	+640.000	+648.966	+660.000	+680.000	+689.845	+700.000	+720.000	+728.655	+740.000	+760.000	+780.000	+800.000	+805.000	+811.511	+820.000	+830.000	+840.000	+855.000	+860.000	+880.000	+900.000	+920.000	+925.687	+940.000
CURVE BAND	R=∞ L=58.148		R=500.000 L=35.002		R=300.000 L=58.886		R=∞		R=∞		R=∞		R=202.342		R=∞		R=250.000 L=21.208		R=∞		R=∞		R=58.730		R=145.000 L=79.689		R=∞		R=∞		R=∞		R=82.856		R=∞		R=∞		R=380.000 L=222.143																

THE DEMOCRATIC SOCIALIST REPUBLIC OF SRI LANKA
MINISTRY OF HIGHWAYS



JAPAN INTERNATIONAL COOPERATION AGENCY
 ORIENTAL CONSULTANTS CO., LTD.
 NIPPON KOEI CO., LTD.
 JAPAN ENGINEERING CONSULTANTS CO., LTD.

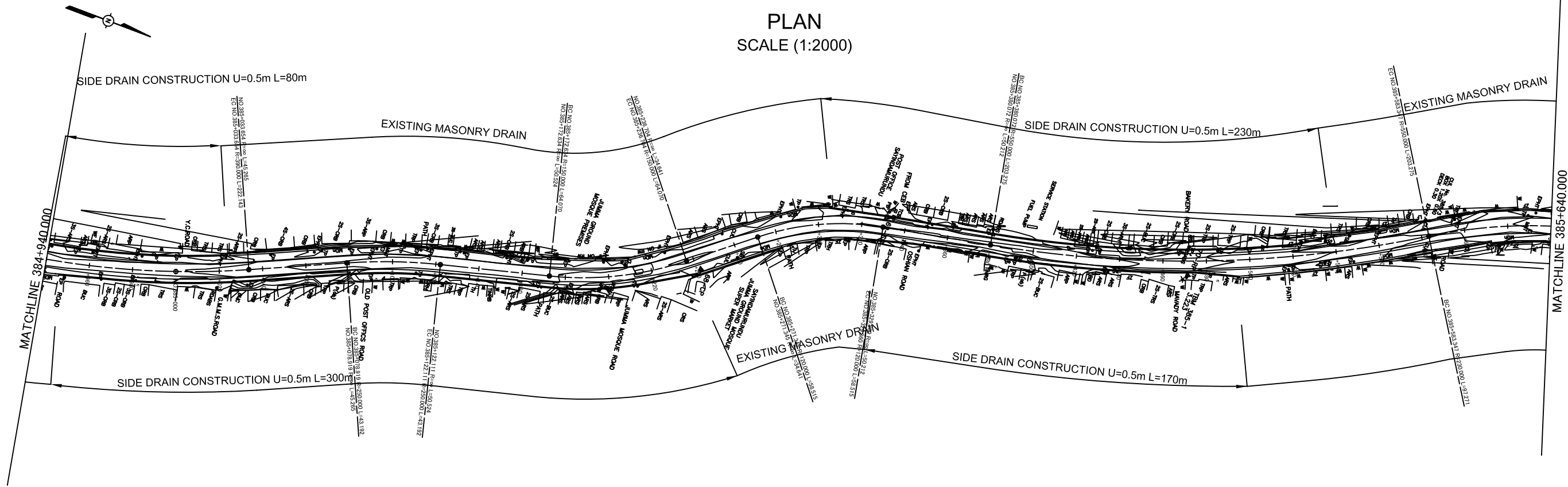
No	REVISION	DATE

THE PRO-POOR EASTERN INFRASTRUCTURE DEVELOPMENT PROJECT

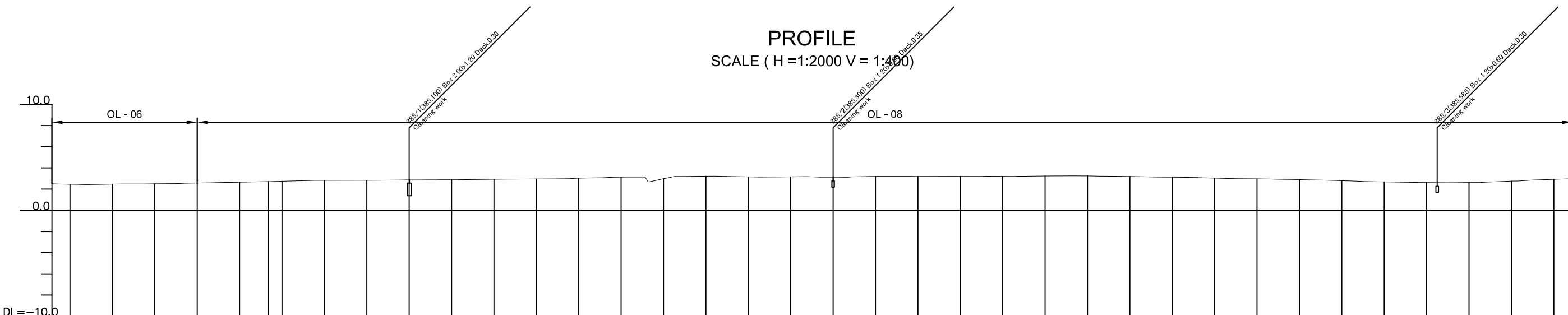
PLANE & PROFILE
384+240~384+940

DESIGNED BY:	
CHECKED BY:	
APPROVED BY:	
DWG. NO.	B-030

PLAN
SCALE (1:2000)



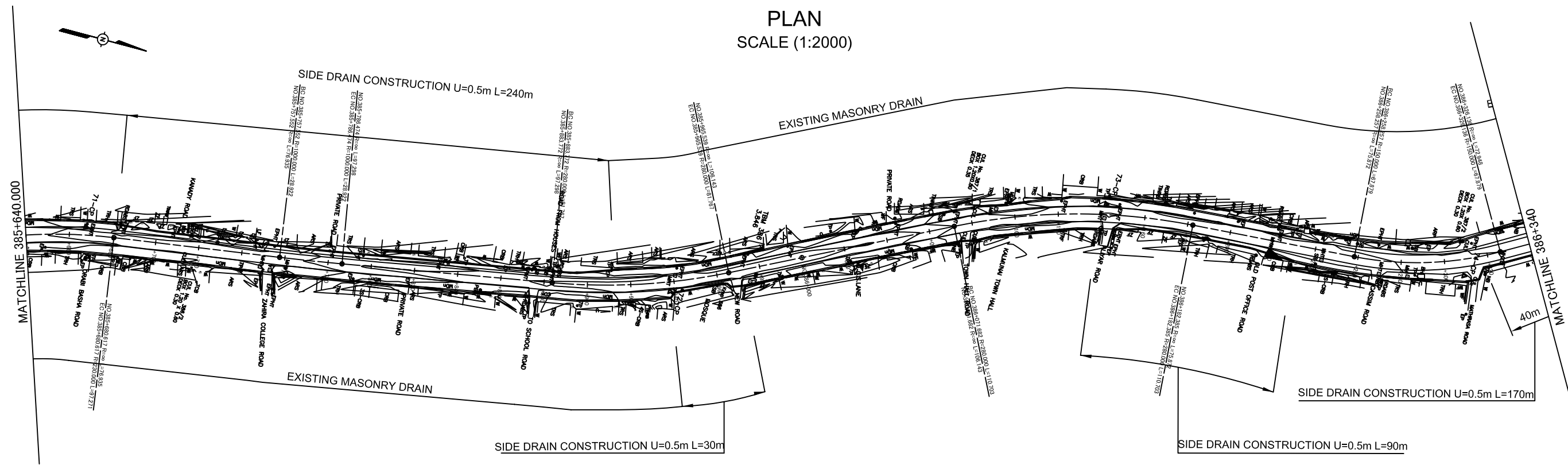
PROFILE
SCALE (H = 1:2000 V = 1:400)



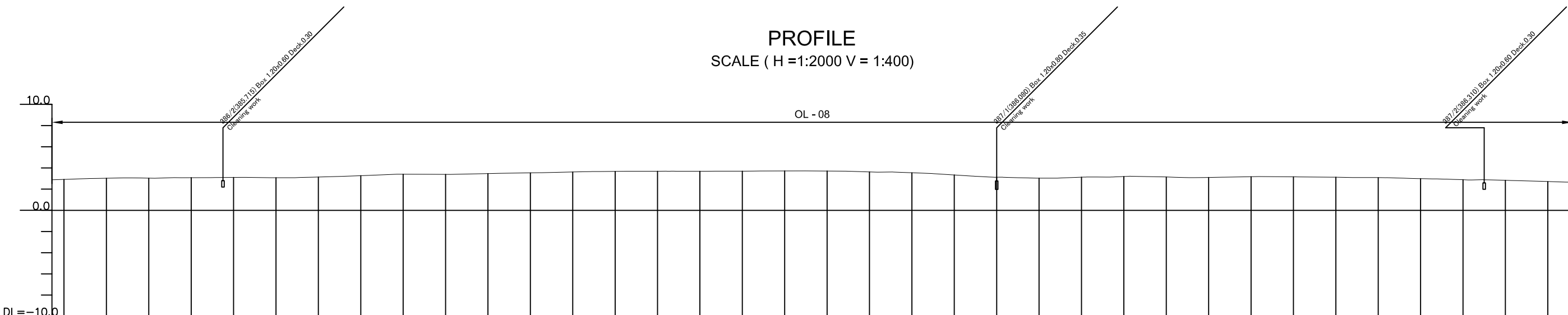
GRADE	-																																															
PROPOSED ROAD LEVELS	VARY																																															
EXISTING GROUND LEVELS	2.458	2.468	2.500	2.572	2.650	2.707	2.738	2.825	2.882	2.885	2.883	2.928	2.957	2.976	3.028	3.127	3.135	2.977	3.209	3.216	3.174	3.154	3.142	3.159	3.188	3.123	3.196	3.205	3.199	3.203	3.203	3.234	3.249	3.192	3.124	3.078	2.968	2.894	2.794	2.680	2.617	2.611	2.604	2.616	2.752	2.871	2.920	2.955
STATION (km)	+940.000	+960.000	+980.000	NO.385	+20.000	+33.654	+40.000	+60.000	+86.808	+100.899	+122.000	+140.000	+160.000	+172.634	+180.000	+200.000	+205.165	+220.000	+236.704	+240.000	+255.000	+260.000	+271.345	+280.000	+300.000	+305.000	+320.000	+329.860	+340.000	+360.000	+380.000	+400.000	+420.000	+440.000	+460.000	+482.880	+500.000	+520.000	+540.000	+560.000	+580.000	+585.347	+590.000	+600.000	+620.000	+632.720	+640.000	+645.000
CURVE BAND																																																

THE DEMOCRATIC SOCIALIST REPUBLIC OF SRI LANKA MINISTRY OF HIGHWAYS 	JAPAN INTERNATIONAL COOPERATION AGENCY ORIENTAL CONSULTANTS CO., LTD. NIPPON KOEI CO., LTD. JAPAN ENGINEERING CONSULTANTS CO., LTD.	No. REVISION DATE	THE PRO-POOR EASTERN INFRASTRUCTURE DEVELOPMENT PROJECT		DESIGNED BY:
			PLANE & PROFILE 384+940~385+640		CHECKED BY:
					APPROVED BY:
					DWG. NO. B-031

PLAN
SCALE (1:2000)



PROFILE
SCALE (H = 1:2000 V = 1:400)



GRADE	OL - 08																																																				
PROPOSED ROAD LEVELS	VARY																																																				
EXISTING GROUND LEVELS	2.920	2.955	3.031	3.098	3.083	3.100	3.107	3.076	3.138	3.172	3.211	3.273	3.324	3.351	3.406	3.397	3.393	3.467	3.538	3.623	3.638	3.672	3.689	3.691	3.690	3.698	3.705	3.718	3.711	3.626	3.548	3.338	3.198	3.124	3.082	3.034	3.130	3.142	3.193	3.191	3.148	3.114	3.175	3.162	3.130	3.091	3.088	2.991	2.937	2.889	2.836	2.800	2.718
STATION (km)	+640.000	+645.000	+660.000	+660.000	+700.000	+715.000	+720.000	+740.000	+760.000	+765.000	+772.014	+780.000	+786.474	+790.000	+800.000	+815.000	+820.000	+840.000	+860.000	+880.000	+883.772	+900.000	+920.000	+924.948	+940.000	+960.000	+965.539	+980.000	NO. 386	+20.000	+40.000	+60.000	+71.682	+80.000	+90.000	+100.000	+120.000	+127.766	+140.000	+150.000	+160.000	+180.000	+200.000	+220.000	+240.000	+250.000	+266.000	+280.000	+292.788	+300.000	+320.000	+326.136	+340.000
CURVE BAND	R=0.000		R=∞		R=∞		R=1000.000		R=∞		R=∞		R=280.000		R=∞		R=∞		R=∞		R=280.000		R=∞		R=∞		R=∞		R=∞		R=∞		R=∞		R=280.000		R=∞		R=∞		R=150.000		R=∞		R=∞								
	L=76.935		L=28.922		L=97.298		L=61.767		L=106.143		L=148.703		L=75.872		L=67.879																																						

THE DEMOCRATIC SOCIALIST REPUBLIC OF SRI LANKA
MINISTRY OF HIGHWAYS



JAPAN INTERNATIONAL COOPERATION AGENCY
 ORIENTAL CONSULTANTS CO., LTD.
 NIPPON KOEI CO., LTD.
 JAPAN ENGINEERING CONSULTANTS CO., LTD.

No	REVISION	DATE

THE PRO-POOR EASTERN INFRASTRUCTURE DEVELOPMENT PROJECT

PLANE & PROFILE

385+640~386+340

DESIGNED BY:	
CHECKED BY:	
APPROVED BY:	
DWG. NO.	B-032

