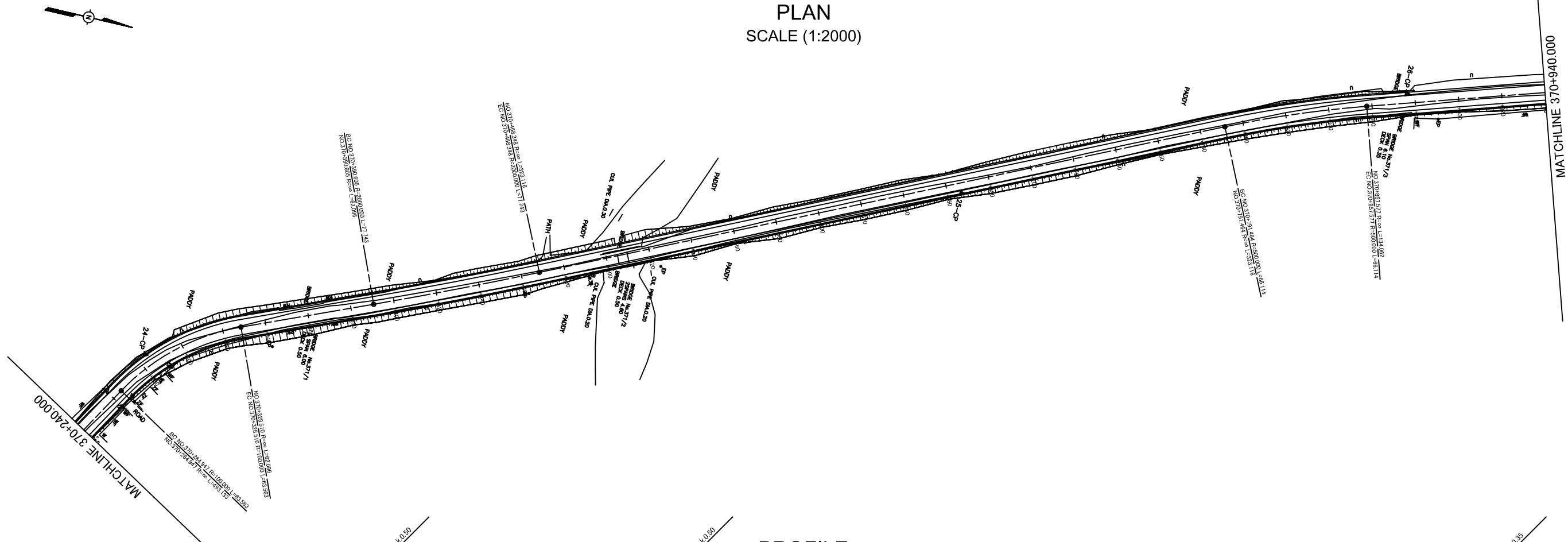
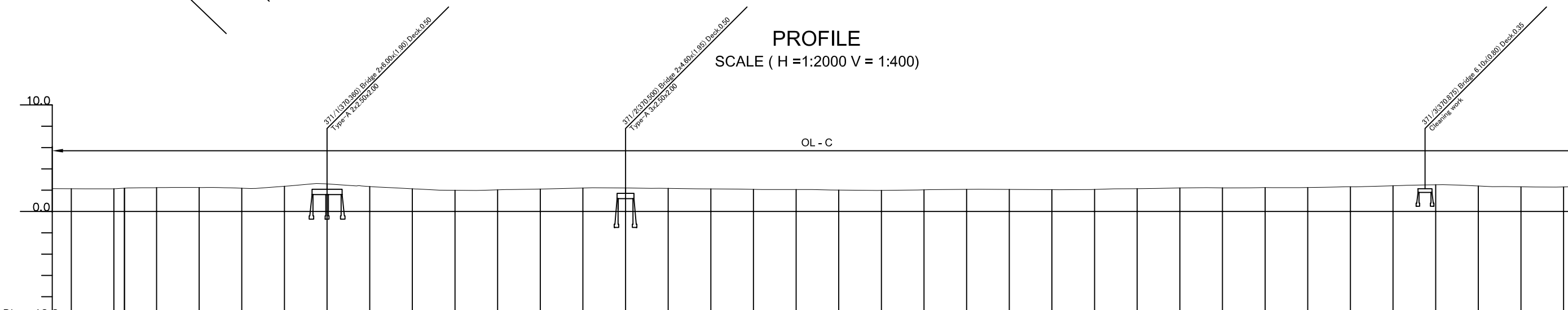


PLAN
SCALE (1:2000)



PROFILE
SCALE (H = 1:2000 V = 1:400)



GRADE																																																		
PROPOSED ROAD LEVELS	VARY																																																	
EXISTING GROUND LEVELS	2.131	2.130	2.189	2.235	2.254	2.182	2.183	2.387	2.584	2.340	2.298	2.130	2.027	1.989	1.972	2.031	2.105	2.142	2.204	2.207	2.165	2.122	2.077	2.055	2.045	2.010	1.991	1.982	2.002	2.033	2.077	2.071	2.048	2.067	2.139	2.207	2.217	2.217	2.240	2.249	2.264	2.317	2.358	2.413	2.506	2.392	2.334	2.312	2.289	2.300
STATION (km)	+240.000	+260.000	+264.947	+280.000	+300.863	+320.000	+328.510	+340.000	+360.000	+380.000	+390.808	+400.000	+410.000	+420.000	+438.860	+440.000	+460.000	+468.348	+480.000	+500.000	+520.000	+540.000	+560.000	+580.000	+590.000	+600.000	+610.000	+620.000	+630.000	+640.000	+660.000	+680.000	+700.000	+720.000	+740.000	+760.000	+780.000	+790.860	+800.000	+820.000	+824.569	+840.000	+850.000	+852.522	+880.000	+900.000	+910.000	+920.000	+930.000	+940.000
CURVE BAND					R=101.000 L=63.583					R=∞ L=62.096					R=2000.000 L=77.743									R=∞ L=323.116					R=500.000 L=66.114					R=∞ L=134.062																

THE DEMOCRATIC SOCIALIST REPUBLIC OF SRI LANKA
MINISTRY OF HIGHWAYS



JICA JAPAN INTERNATIONAL COOPERATION AGENCY

ORIENTAL CONSULTANTS CO., LTD.

NIPPON KOEI CO., LTD.

JEC JAPAN ENGINEERING CONSULTANTS CO., LTD.

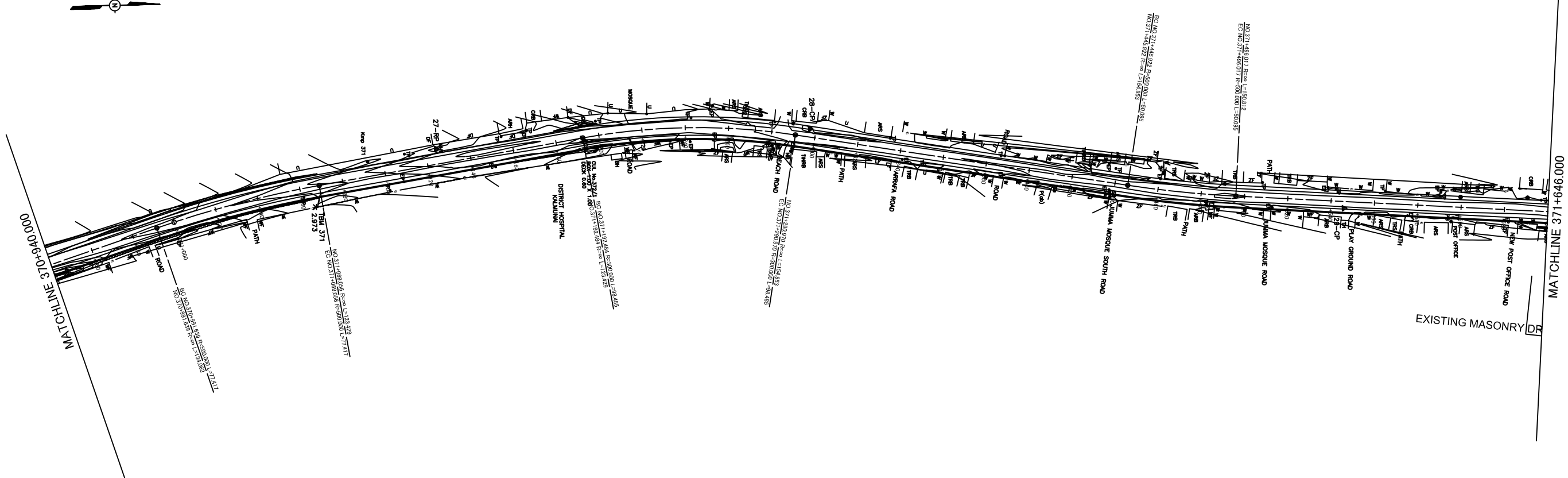
No	REVISION	DATE

THE PRO-POOR EASTERN INFRASTRUCTURE DEVELOPMENT PROJECT

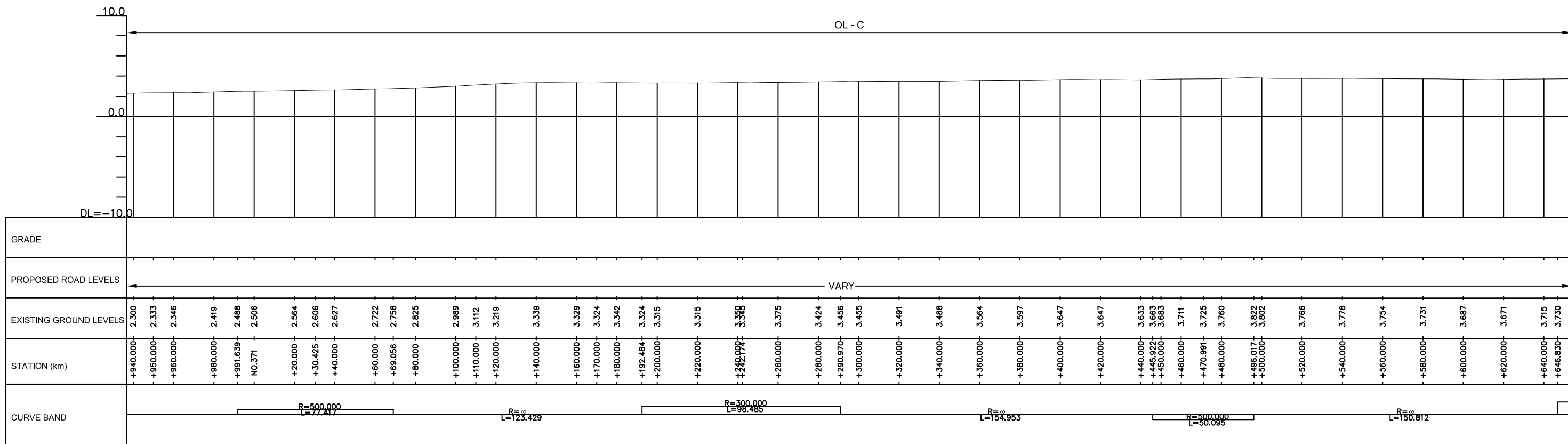
PLANE & PROFILE
370+240~370+940

DESIGNED BY:	
CHECKED BY:	
APPROVED BY:	
DWG. NO.	B-010

PLAN
SCALE (1:2000)



PROFILE
SCALE (H =1:2000 V = 1:400)



THE DEMOCRATIC SOCIALIST REPUBLIC OF SRI LANKA
MINISTRY OF HIGHWAYS

Road Development Authority

JICA JAPAN INTERNATIONAL COOPERATION AGENCY

ORIENTAL CONSULTANTS CO., LTD.

NIPPON KOEI CO., LTD.

JEC JAPAN ENGINEERING CONSULTANTS CO., LTD.

No	REVISION	DATE

THE PRO-POOR EASTERN INFRASTRUCTURE DEVELOPMENT PROJECT

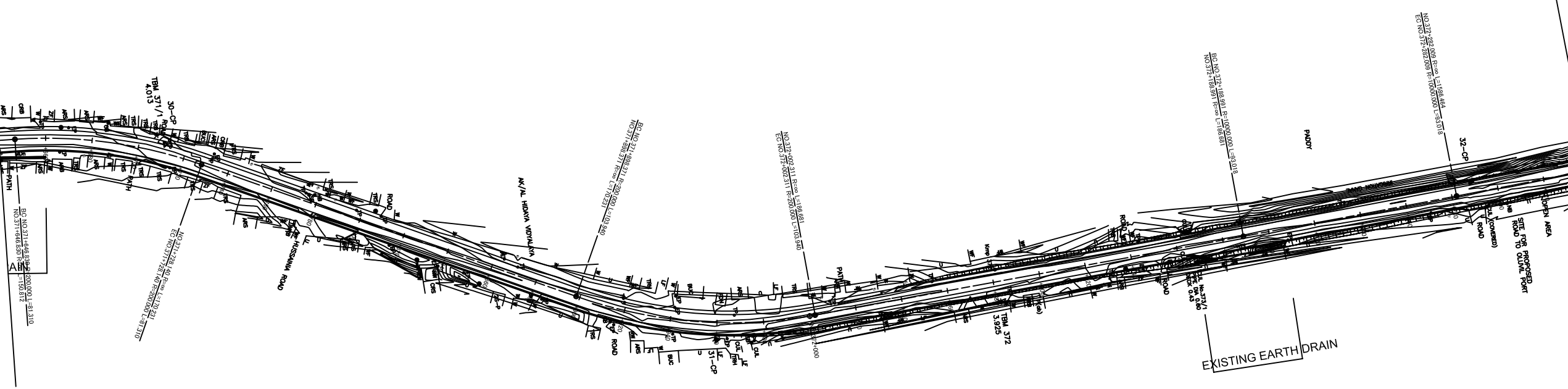
PLANE & PROFILE
370+940~371+640

DESIGNED BY:	
CHECKED BY:	
APPROVED BY:	
DWG. NO.	B-011

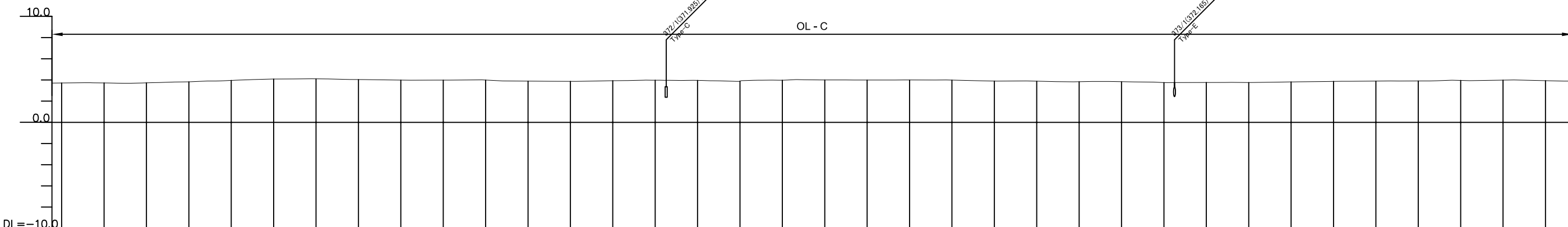
PLAN
SCALE (1:2000)

MATCHLINE 371+640.000

MATCHLINE 372+340.000



PROFILE
SCALE (H=1:2000 V=1:400)



GRADE																																										
PROPOSED ROAD LEVELS	VARY																																									
EXISTING GROUND LEVELS	3.715	3.730	3.718	3.728	3.774	3.827	3.957	4.020	4.086	4.105	4.039	3.985	3.984	3.991	3.887	3.867	3.946	3.976	3.958	3.909	3.892	3.973	3.993	3.993	3.996	3.986	3.897	3.886	3.832	3.836	3.753	3.764	3.767	3.757	3.813	3.852	3.862	3.894	3.905	3.958	3.984	3.934
STATION (km)	+640.000	+646.830	+660.000	+680.000	+688.054	+700.000	+720.000	+728.140	+740.000	+760.000	+780.000	+800.000	+820.000	+840.000	+860.000	+880.000	+896.300	+920.000	+940.000	+951.543	+960.000	+980.000	+992.377	+1000.000	+1040.000	+1060.000	+1080.000	+1100.000	+120.000	+140.000	+160.000	+180.000	+188.991	+200.000	+220.000	+235.500	+240.000	+260.000	+282.988	+300.000	+320.000	+340.000
CURVE BAND	R=200.000 L=81.310				R=∞ L=170.231												R=200.000 L=103.940				R=∞ L=186.681				R=10000.000 L=93.018																	

THE DEMOCRATIC SOCIALIST REPUBLIC OF SRI LANKA
MINISTRY OF HIGHWAYS

Road Development Authority

JICA JAPAN INTERNATIONAL COOPERATION AGENCY

ORIENTAL CONSULTANTS CO., LTD.

NIPPON KOEI CO., LTD.

JEC JAPAN ENGINEERING CONSULTANTS CO., LTD.

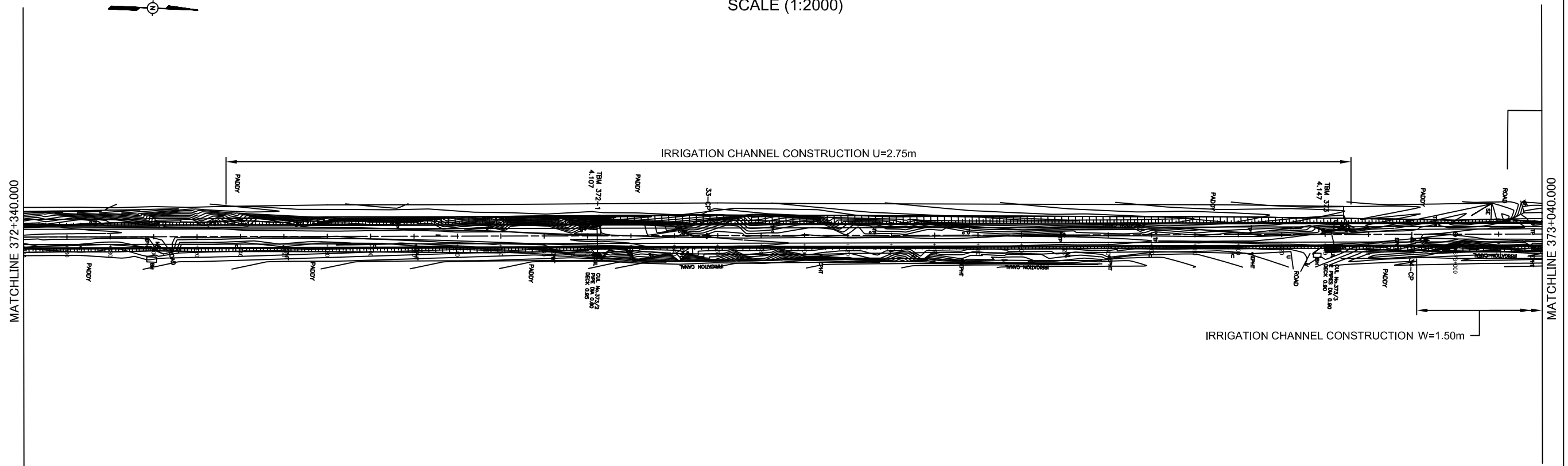
No	REVISION	DATE

THE PRO-POOR EASTERN INFRASTRUCTURE DEVELOPMENT PROJECT

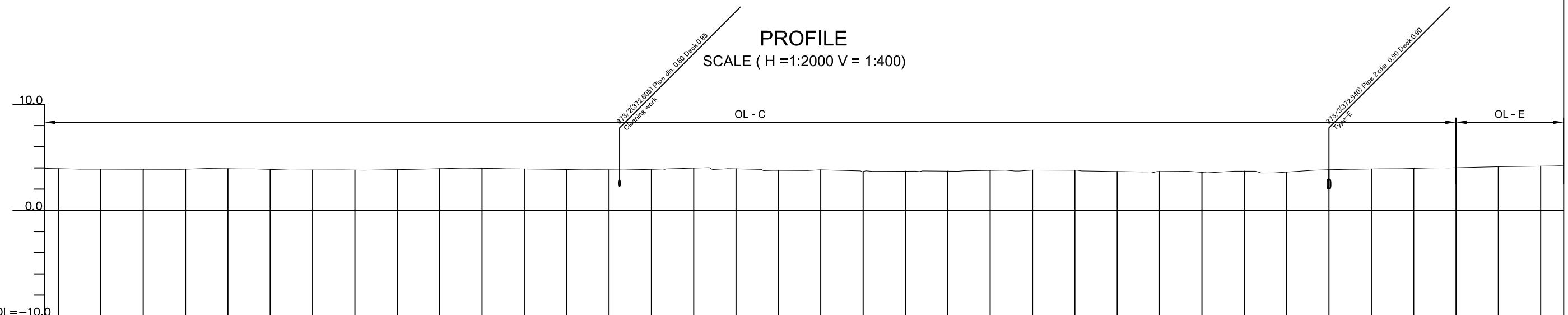
PLANE & PROFILE
371+640~372+340

DESIGNED BY:	
CHECKED BY:	
APPROVED BY:	
DWG. NO.	B-012

PLAN
SCALE (1:2000)



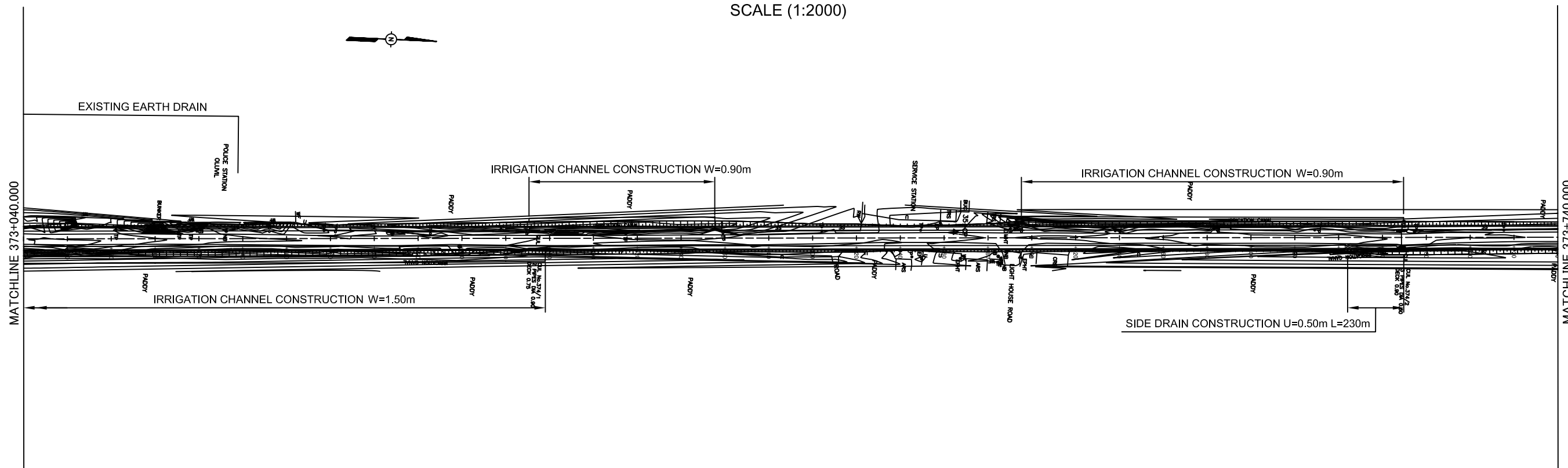
PROFILE
SCALE (H =1:2000 V = 1:400)



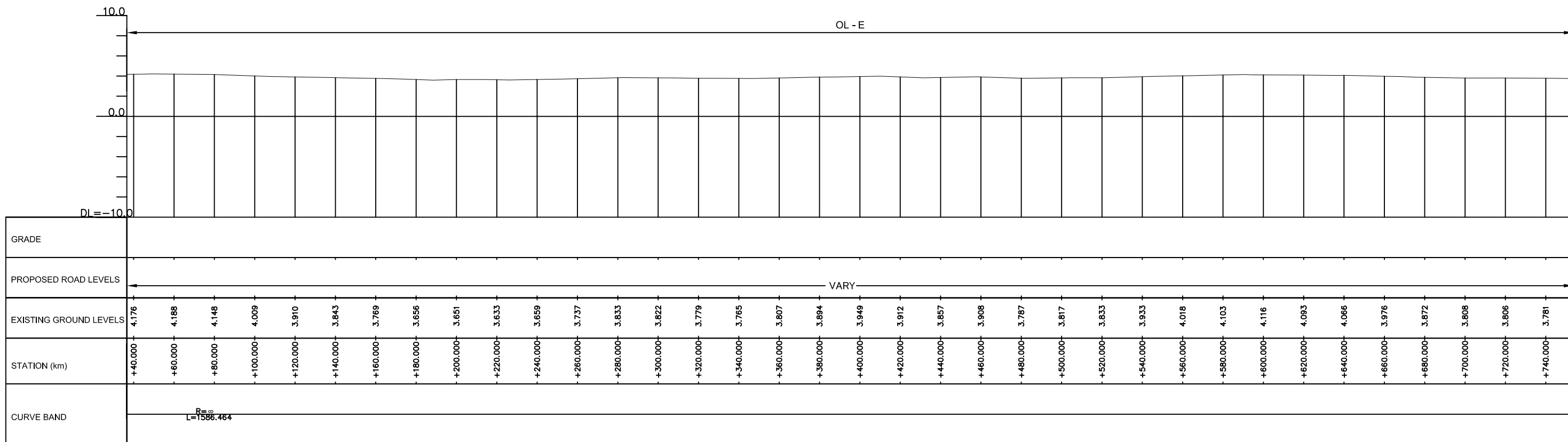
GRADE																																				
PROPOSED ROAD LEVELS	VARY																																			
EXISTING GROUND LEVELS	3.934	3.885	3.878	3.885	3.928	3.865	3.810	3.806	3.843	3.932	3.963	3.906	3.856	3.827	3.870	3.989	3.921	3.772	3.824	3.664	3.695	3.703	3.770	3.804	3.788	3.670	3.673	3.589	3.700	3.617	3.836	3.906	3.964	4.025	4.123	4.176
STATION (km)	+340.000	+360.000	+380.000	+400.000	+420.000	+440.000	+460.000	+480.000	+500.000	+520.000	+540.000	+560.000	+580.000	+600.000	+620.000	+640.000	+660.000	+680.000	+700.000	+720.000	+740.000	+760.000	+780.000	+800.000	+820.000	+840.000	+860.000	+880.000	+900.000	+920.000	+940.000	+960.000	+980.000	NO. 373	+20.000	+40.000
CURVE BAND																																				

THE DEMOCRATIC SOCIALIST REPUBLIC OF SRI LANKA MINISTRY OF HIGHWAYS 	JAPAN INTERNATIONAL COOPERATION AGENCY ORIENTAL CONSULTANTS CO., LTD. NIPPON KOEI CO., LTD. JAPAN ENGINEERING CONSULTANTS CO., LTD.	THE PRO-POOR EASTERN INFRASTRUCTURE DEVELOPMENT PROJECT		DESIGNED BY:
		PLANE & PROFILE 372+340~373+040		CHECKED BY:
			APPROVED BY:	
			DWG. NO. B-013	
No.	REVISION	DATE		

PLAN
SCALE (1:2000)



PROFILE
SCALE (H =1:2000 V = 1:400)



THE DEMOCRATIC SOCIALIST REPUBLIC OF SRI LANKA
MINISTRY OF HIGHWAYS



JAPAN INTERNATIONAL COOPERATION AGENCY
 ORIENTAL CONSULTANTS CO., LTD.
 NIPPON KOEI CO., LTD.
 JAPAN ENGINEERING CONSULTANTS CO., LTD.

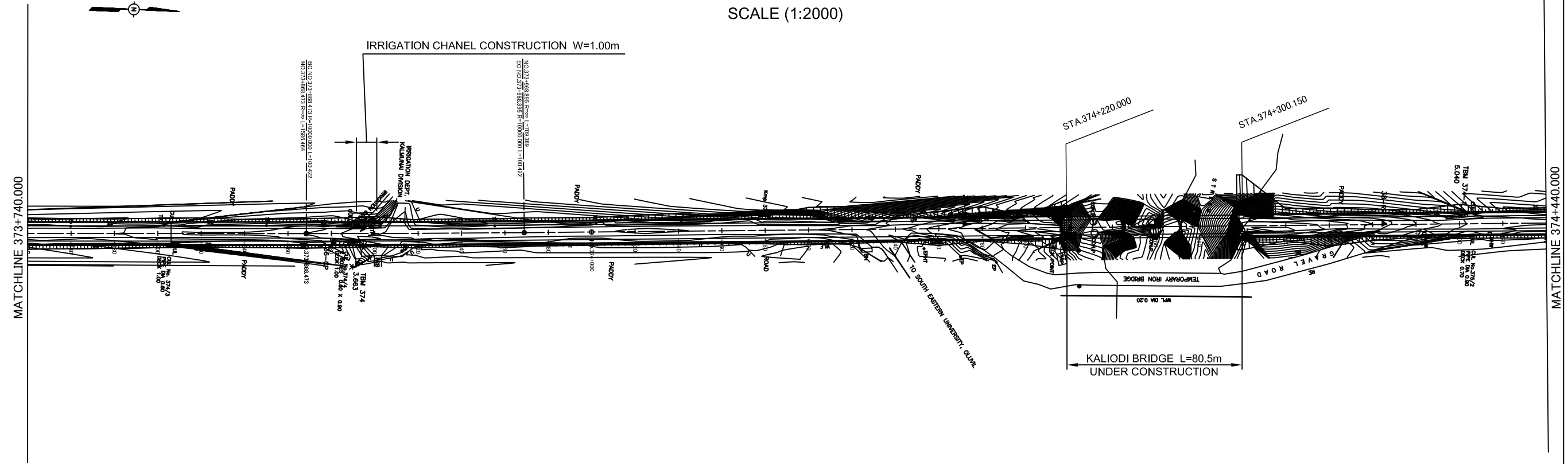
No	REVISION	DATE

THE PRO-POOR EASTERN INFRASTRUCTURE DEVELOPMENT PROJECT

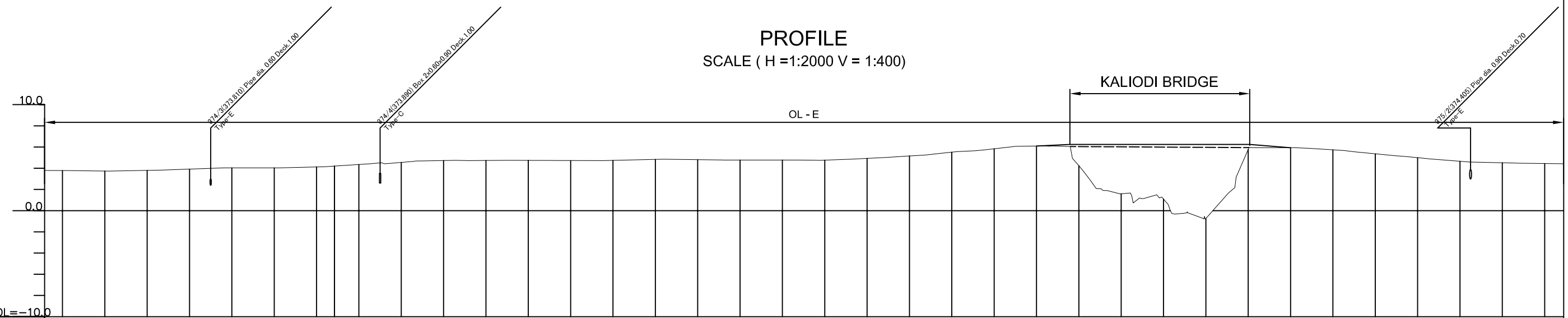
PLANE & PROFILE
373+040~373+740

DESIGNED BY:	
CHECKED BY:	
APPROVED BY:	
DWG. NO.	B-014

PLAN
SCALE (1:2000)



PROFILE
SCALE (H =1:2000 V = 1:400)



GRADE																																													
PROPOSED ROAD LEVELS	VARY																																												
EXISTING GROUND LEVELS	3.781	3.734	3.795	3.918	4.036	4.034	4.124	4.202	4.350	4.547	4.691	4.789	4.732	4.741	4.733	4.723	4.739	4.834	4.805	4.772	4.769	4.763	4.761	4.833	4.930	5.033	5.157	5.516	5.638	5.835	6.063	6.084	6.091	4.234	1.586	1.096	-0.745	5.781	5.935	5.735	5.358	4.997	4.659	4.514	4.443
STATION (km)	+740.000	+760.000	+780.000	+800.000	+820.000	+840.000	+860.000	+868.473	+880.000	+900.000	+910.000	+918.668	+940.000	+960.000	+968.895	+980.000	NO.374	+20.000	+40.000	+60.000	+80.000	+90.000	+100.000	+110.000	+120.000	+130.000	+140.000	+160.000	+170.000	+180.000	+190.000	+200.000	+210.000	+220.000	+240.000	+260.000	+280.000	+300.000	+320.000	+340.000	+360.000	+380.000	+400.000	+420.000	+440.000
CURVE BAND	R=10000.000 L=100.422												R=∞ L=709.369																																

THE DEMOCRATIC SOCIALIST REPUBLIC OF SRI LANKA
MINISTRY OF HIGHWAYS



JICA JAPAN INTERNATIONAL COOPERATION AGENCY
ORIENTAL CONSULTANTS CO., LTD.
NIPPON KOEI CO., LTD.
JAPAN ENGINEERING CONSULTANTS CO., LTD.

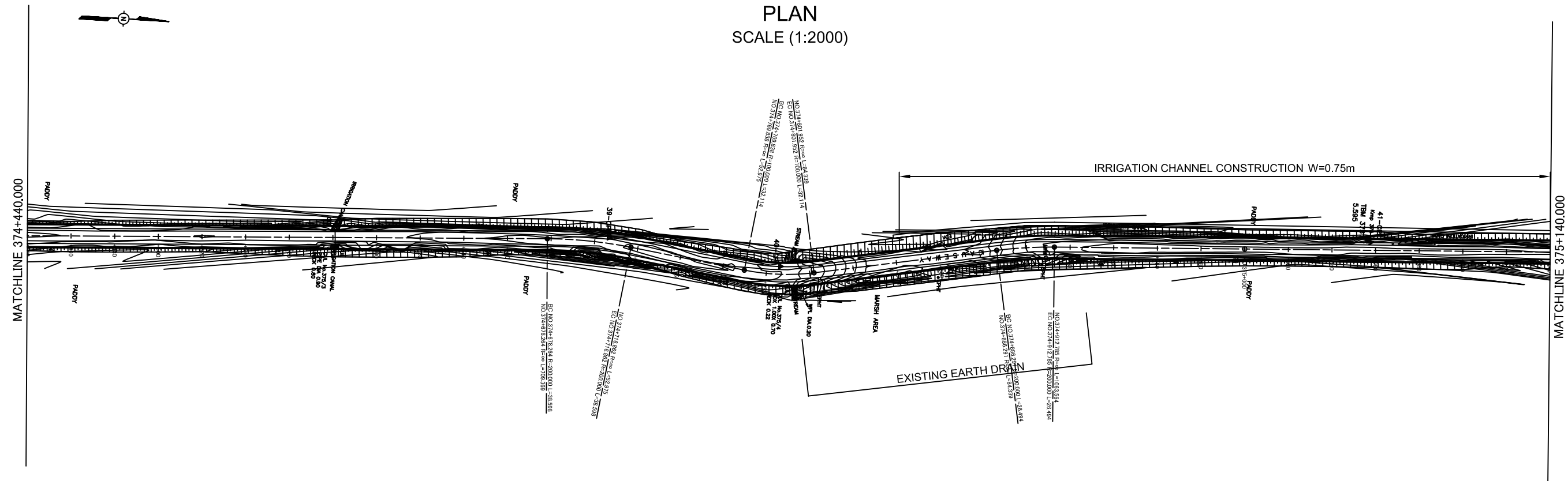
No	REVISION	DATE

THE PRO-POOR EASTERN INFRASTRUCTURE DEVELOPMENT PROJECT

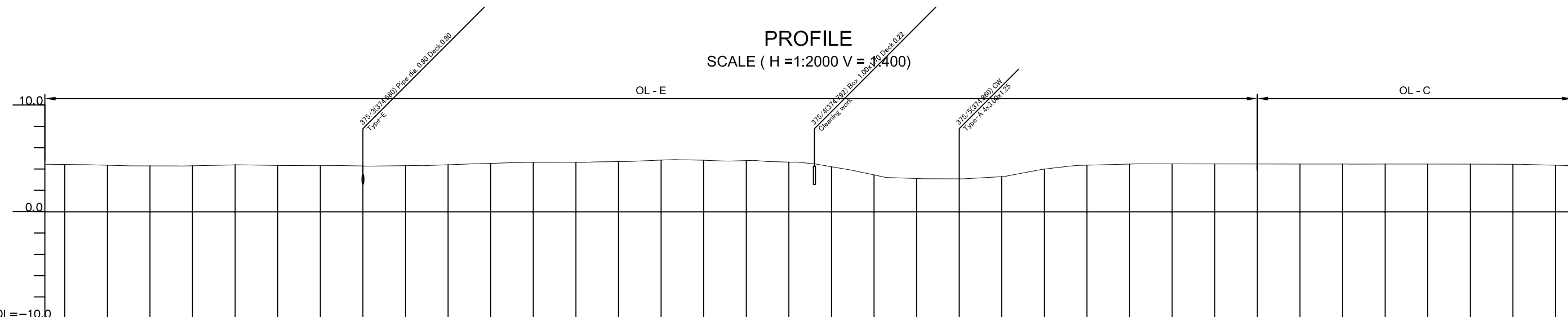
PLANE & PROFILE
373+740-374+440

DESIGNED BY:	
CHECKED BY:	
APPROVED BY:	
DWG. NO.	B-015

PLAN
SCALE (1:2000)



PROFILE
SCALE (H = 1:2000 V = 1:400)



GRADE																																															
PROPOSED ROAD LEVELS	VARY																																														
EXISTING GROUND LEVELS	4.443	4.367	4.308	4.317	4.410	4.347	4.325	4.294	4.326	4.413	4.544	4.633	4.839	4.682	4.710	4.823	4.849	4.834	4.766	4.809	4.720	4.663	4.617	4.228	3.882	3.461	3.125	3.091	3.299	3.505	3.645	3.908	4.297	4.368	4.478	4.498	4.495	4.489	4.484	4.479	4.478	4.479	4.482	4.476	4.471	4.454	4.367
STATION (km)	+440.000	+460.000	+480.000	+500.000	+520.000	+540.000	+560.000	+580.000	+600.000	+620.000	+640.000	+660.000	+686.864	+690.000	+687.663	+716.862	+720.000	+740.000	+750.000	+760.000	+769.838	+780.000	+786.034	+807.992	+810.000	+820.000	+840.000	+860.000	+880.000	+886.291	+890.000	+898.000	+912.785	+920.000	+940.000	+950.000	+960.000	+980.000	NO.375	+10.000	+20.000	+40.000	+60.000	+80.000	+100.000	+120.000	+140.000
CURVE BAND													R=200.000 L=38.598	R=∞ L=52.975		R=100.000 L=32.114	R=∞ L=84.339		R=200.000 L=26.494																												

THE DEMOCRATIC SOCIALIST REPUBLIC OF SRI LANKA
MINISTRY OF HIGHWAYS



JICA JAPAN INTERNATIONAL COOPERATION AGENCY
ORIENTAL CONSULTANTS CO., LTD.
NIPPON KOEI CO., LTD.
JEC JAPAN ENGINEERING CONSULTANTS CO., LTD.

No	REVISION	DATE

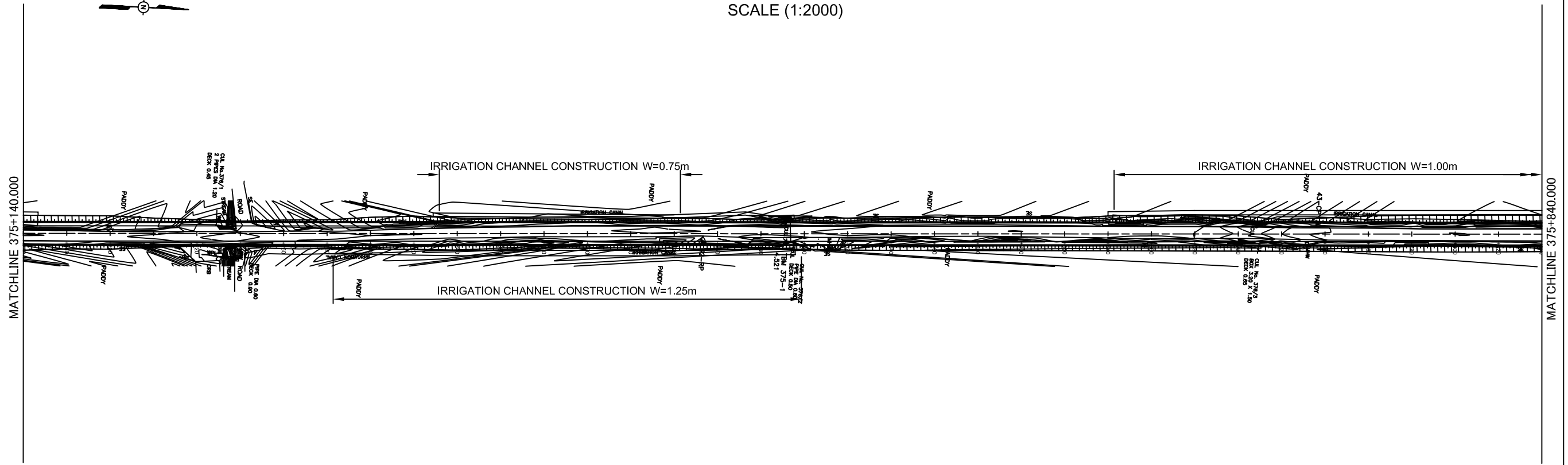
THE PRO-POOR EASTERN INFRASTRUCTURE DEVELOPMENT PROJECT

PLANE & PROFILE

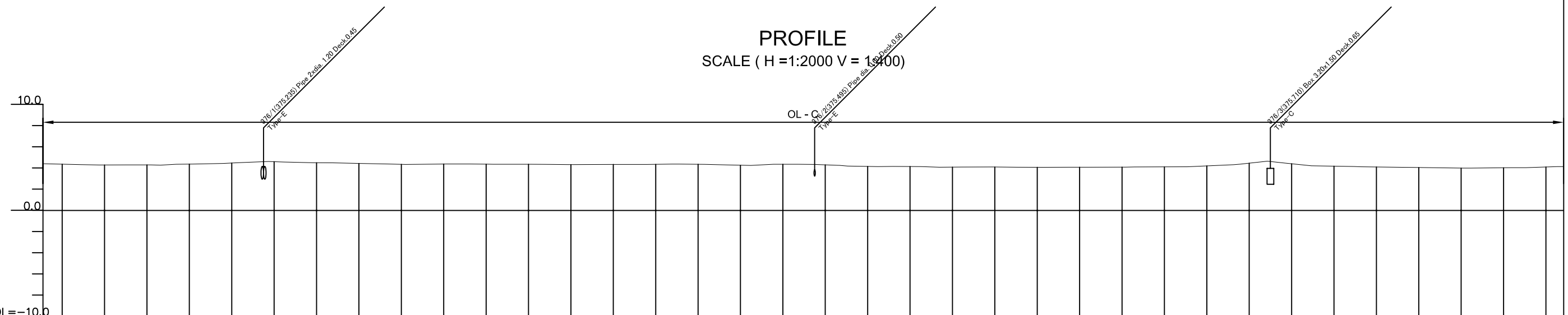
374+440~375+140

DESIGNED BY:	
CHECKED BY:	
APPROVED BY:	
DWG. NO.	B-016

PLAN
SCALE (1:2000)



PROFILE
SCALE (H =1:2000 V = 1:400)



GRADE																																				
PROPOSED ROAD LEVELS	VARY																																			
EXISTING GROUND LEVELS	4.367	4.291	4.301	4.376	4.479	4.601	4.504	4.438	4.351	4.383	4.366	4.358	4.323	4.345	4.354	4.356	4.269	4.361	4.304	4.156	4.148	4.089	4.101	4.075	4.080	4.084	4.117	4.204	4.465	4.409	4.181	4.104	4.056	3.999	4.029	4.105
STATION (km)	+140.000	+160.000	+180.000	+200.000	+220.000	+240.000	+260.000	+280.000	+300.000	+320.000	+340.000	+360.000	+380.000	+400.000	+420.000	+440.000	+460.000	+480.000	+500.000	+520.000	+540.000	+560.000	+580.000	+600.000	+620.000	+640.000	+660.000	+680.000	+700.000	+720.000	+740.000	+760.000	+780.000	+800.000	+820.000	+840.000
CURVE BAND	$R = \infty$ $L = 1063.564$																																			

THE DEMOCRATIC SOCIALIST REPUBLIC OF SRI LANKA
MINISTRY OF HIGHWAYS



JICA JAPAN INTERNATIONAL COOPERATION AGENCY

ORIENTAL CONSULTANTS CO., LTD.

NIPPON KOEI CO., LTD.

JEC JAPAN ENGINEERING CONSULTANTS CO., LTD.

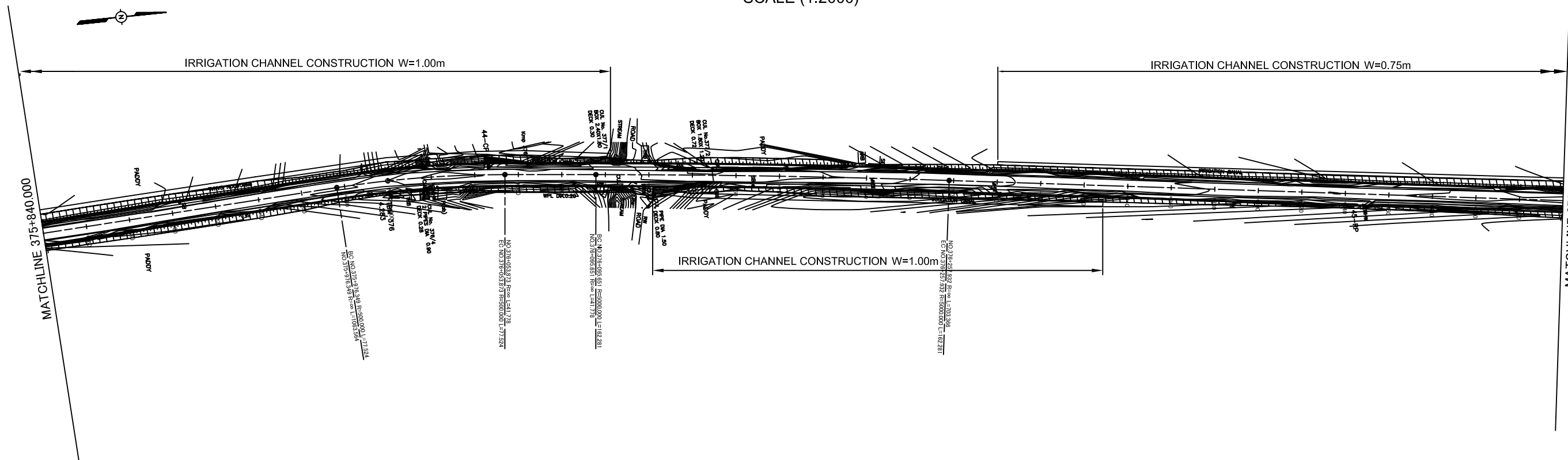
No	REVISION	DATE

THE PRO-POOR EASTERN INFRASTRUCTURE DEVELOPMENT PROJECT

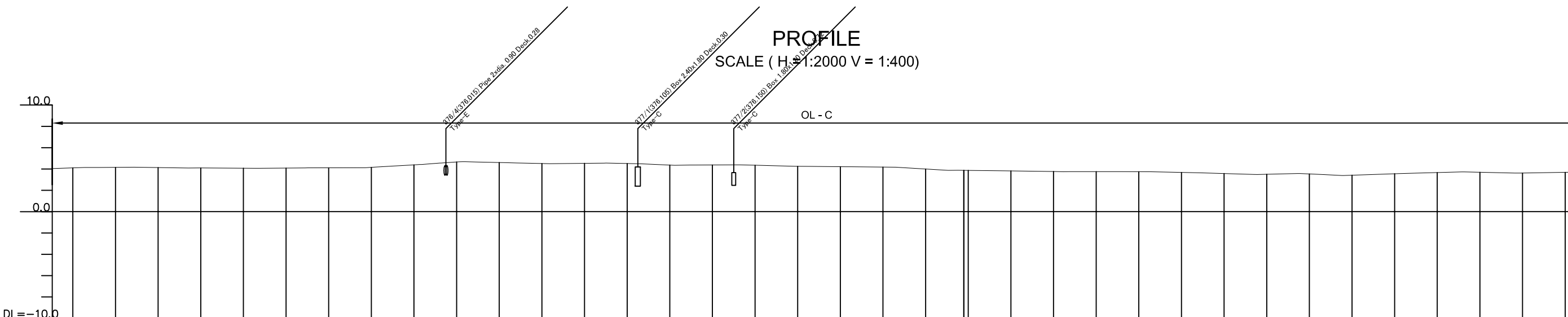
PLANE & PROFILE
375+140~375+840

DESIGNED BY:	
CHECKED BY:	
APPROVED BY:	
DWG. NO.	B-017

PLAN
SCALE (1:2000)



PROFILE
SCALE (H=1:2000 V = 1:400)



GRADE																																												
PROPOSED ROAD LEVELS	VARY																																											
EXISTING GROUND LEVELS	4.105	4.155	4.136	4.097	4.073	4.087	4.112	4.119	4.154	4.389	4.594	4.656	4.605	4.540	4.512	4.529	4.531	4.514	4.369	4.374	4.379	4.353	4.264	4.251	4.234	4.217	4.179	4.002	3.876	3.823	3.795	3.767	3.750	3.747	3.679	3.573	3.508	3.537	3.420	3.556	3.666	3.695	3.619	3.684
STATION (km)	+840.000	+860.000	+880.000	+900.000	+920.000	+940.000	+960.000	+978.348	+980.000	NO. 376	+15.189	+20.000	+40.000	+53.873	+60.000	+80.000	+95.651	+100.000	+120.000	+130.000	+140.000	+160.000	+176.799	+180.000	+190.000	+200.000	+220.000	+240.000	+250.000	+280.000	+290.000	+300.000	+320.000	+340.000	+360.000	+380.000	+400.000	+420.000	+440.000	+460.000	+480.000	+500.000	+520.000	+540.000
CURVE BAND											R=500.000 L=77.524		R=∞ L=41.778		R=5000.000 L=162.281																													

THE DEMOCRATIC SOCIALIST REPUBLIC OF SRI LANKA
MINISTRY OF HIGHWAYS



JICA JAPAN INTERNATIONAL COOPERATION AGENCY
ORIENTAL CONSULTANTS CO., LTD.
NIPPON KOEI CO., LTD.
JAPAN ENGINEERING CONSULTANTS CO., LTD.

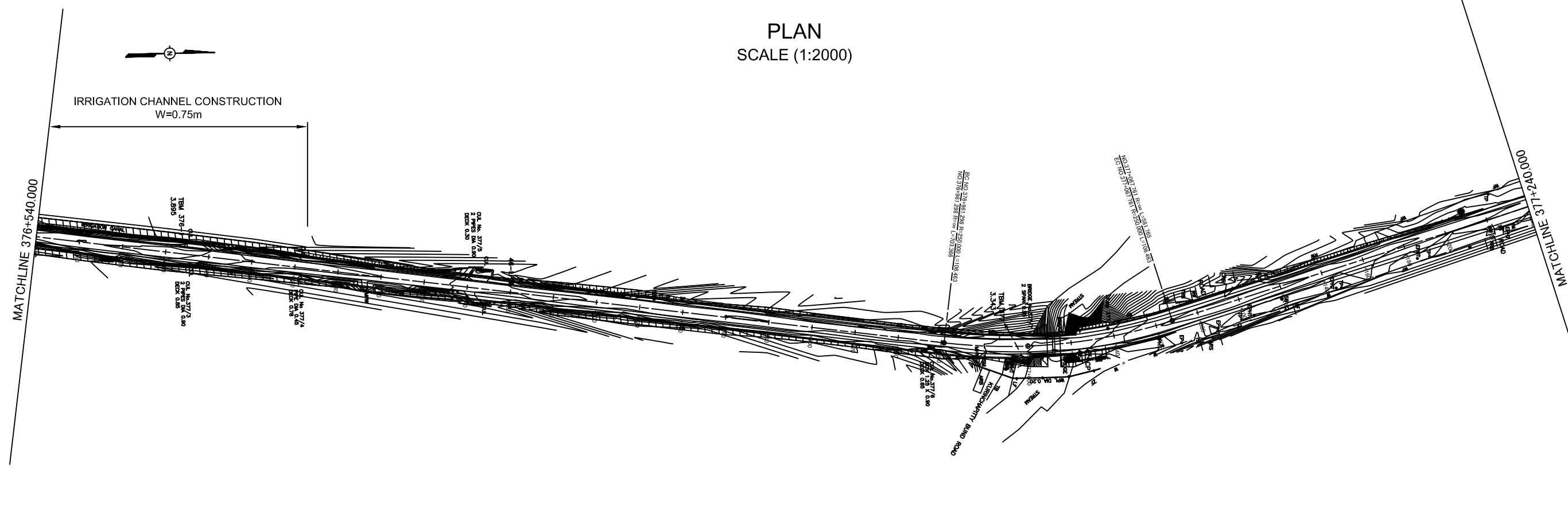
No.	REVISION	DATE

THE PRO-POOR EASTERN INFRASTRUCTURE DEVELOPMENT PROJECT

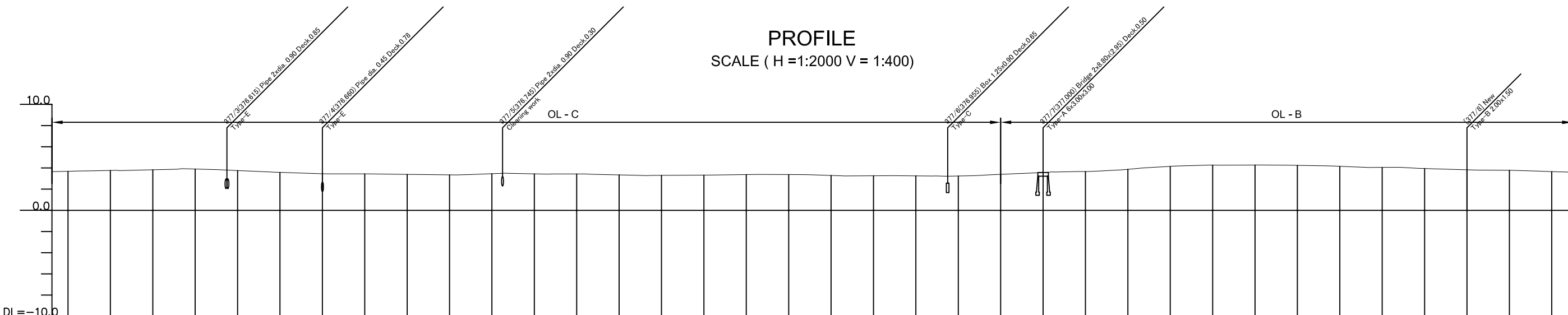
PLANE & PROFILE
375+840~376+540

DESIGNED BY:	
CHECKED BY:	
APPROVED BY:	
DWG. NO.	B-018

PLAN
SCALE (1:2000)



PROFILE
SCALE (H =1:2000 V = 1:400)



GRADE																																												
PROPOSED ROAD LEVELS	VARY																																											
EXISTING GROUND LEVELS	3.684	3.766	3.830	3.900	3.843	3.757	3.582	3.449	3.443	3.442	3.396	3.354	3.458	3.444	3.437	3.348	3.303	3.326	3.378	3.379	3.294	3.267	3.256	3.245	3.243	3.399	3.575	3.640	3.662	3.667	3.874	4.036	4.151	4.216	4.270	4.283	4.276	4.248	4.156	4.052	3.951	3.831	3.785	3.658
STATION (km)	+540.000	+560.000	+580.000	+600.000	+610.000	+620.000	+640.000	+660.000	+670.000	+680.000	+700.000	+720.000	+740.000	+760.000	+780.000	+800.000	+820.000	+840.000	+860.000	+880.000	+900.000	+920.000	+940.000	+950.000	+960.000	+980.000	NO. 377	+10.000	+15.348	+20.000	+40.000	+50.000	+60.000	+67.761	+80.000	+100.000	+110.000	+120.000	+140.000	+160.000	+180.000	+200.000	+220.000	+240.000
CURVE BAND	R=88 L=703.366														R=250.000 L=106.483																													

THE DEMOCRATIC SOCIALIST REPUBLIC OF SRI LANKA MINISTRY OF HIGHWAYS 	JAPAN INTERNATIONAL COOPERATION AGENCY ORIENTAL CONSULTANTS CO., LTD. NIPPON KOEI CO., LTD. JAPAN ENGINEERING CONSULTANTS CO., LTD.	THE PRO-POOR EASTERN INFRASTRUCTURE DEVELOPMENT PROJECT		DESIGNED BY:	
		PLANE & PROFILE 376+540~377+240		CHECKED BY:	
				APPROVED BY:	
				DWG. NO. B-019	
No	REVISION	DATE			