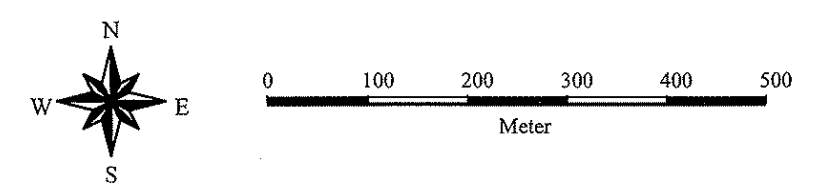


LEGEND

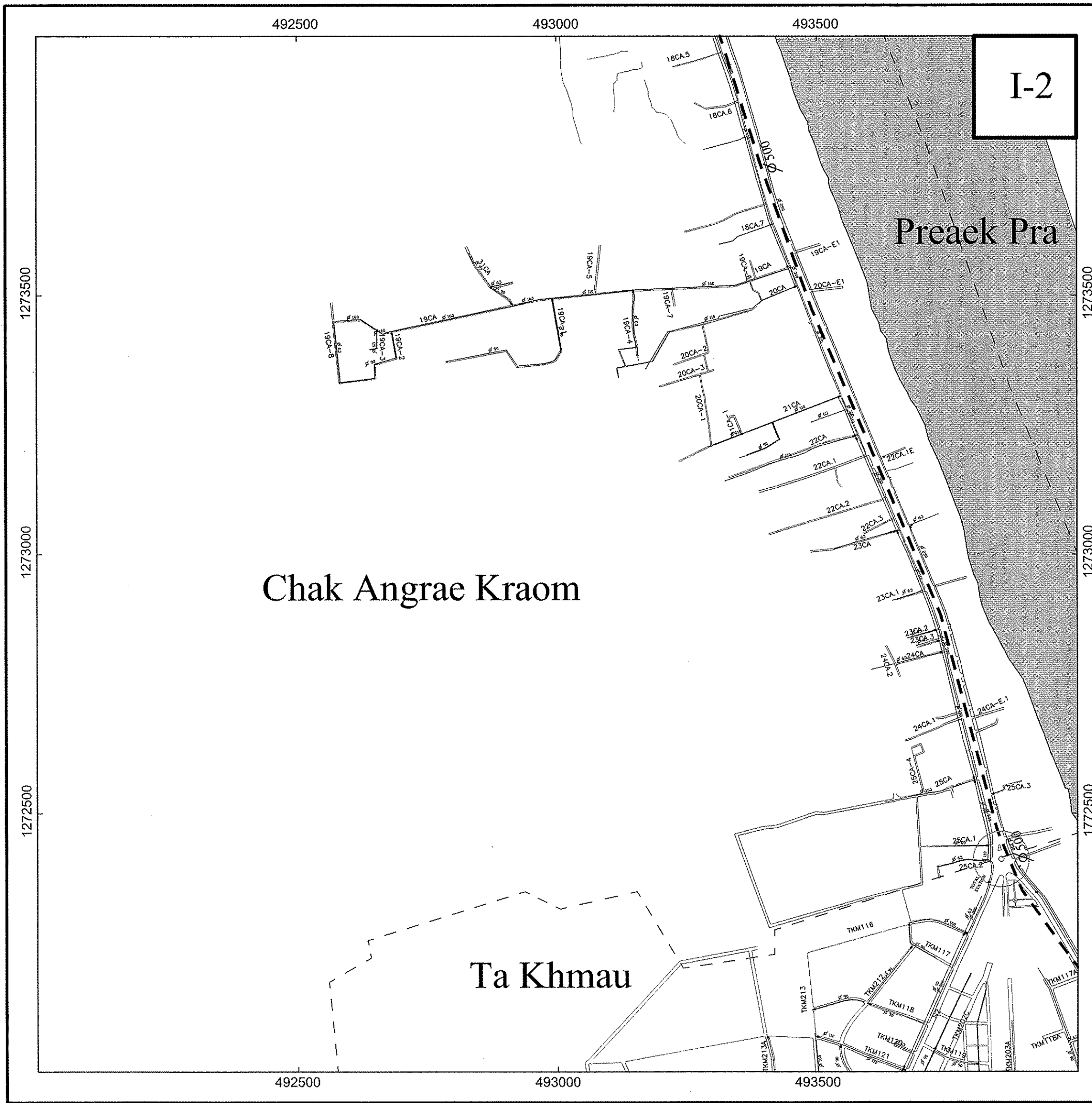
	Feasibility Pipe
	Existing Pipe (Diameter ≥ 400mm)
	Existing Pipe (Diameter < 400mm)
	Sub District
	Proposed Monitoring System



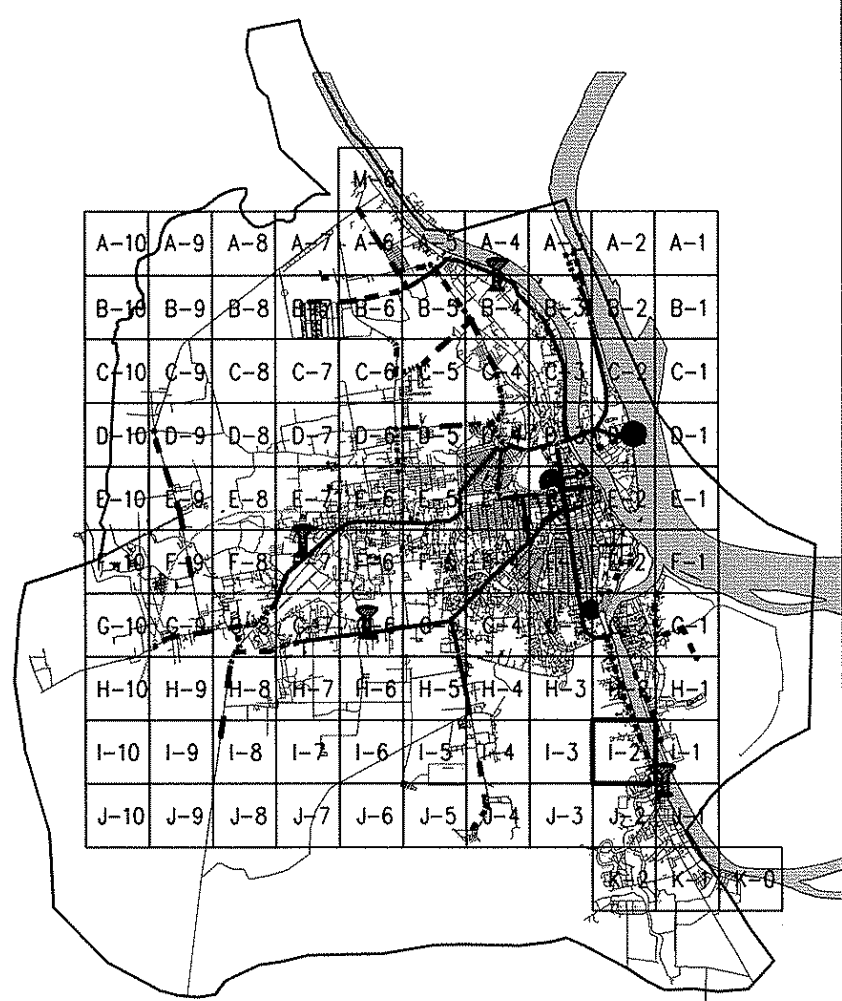
The Study on the Master Plan of Greater Phnom Penh Water Supply (Phase 2) in the Kingdom of Cambodia

Ta Khmau Branch - 2

DRAWING No.: III-30

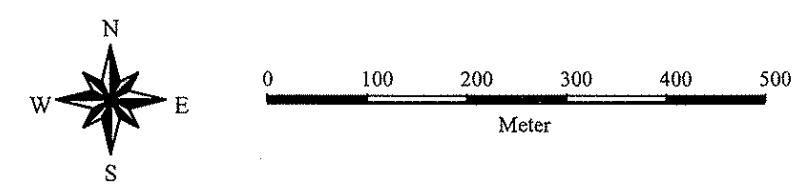


PHNOM PENH CITY - STUDY AREA



LEGEND

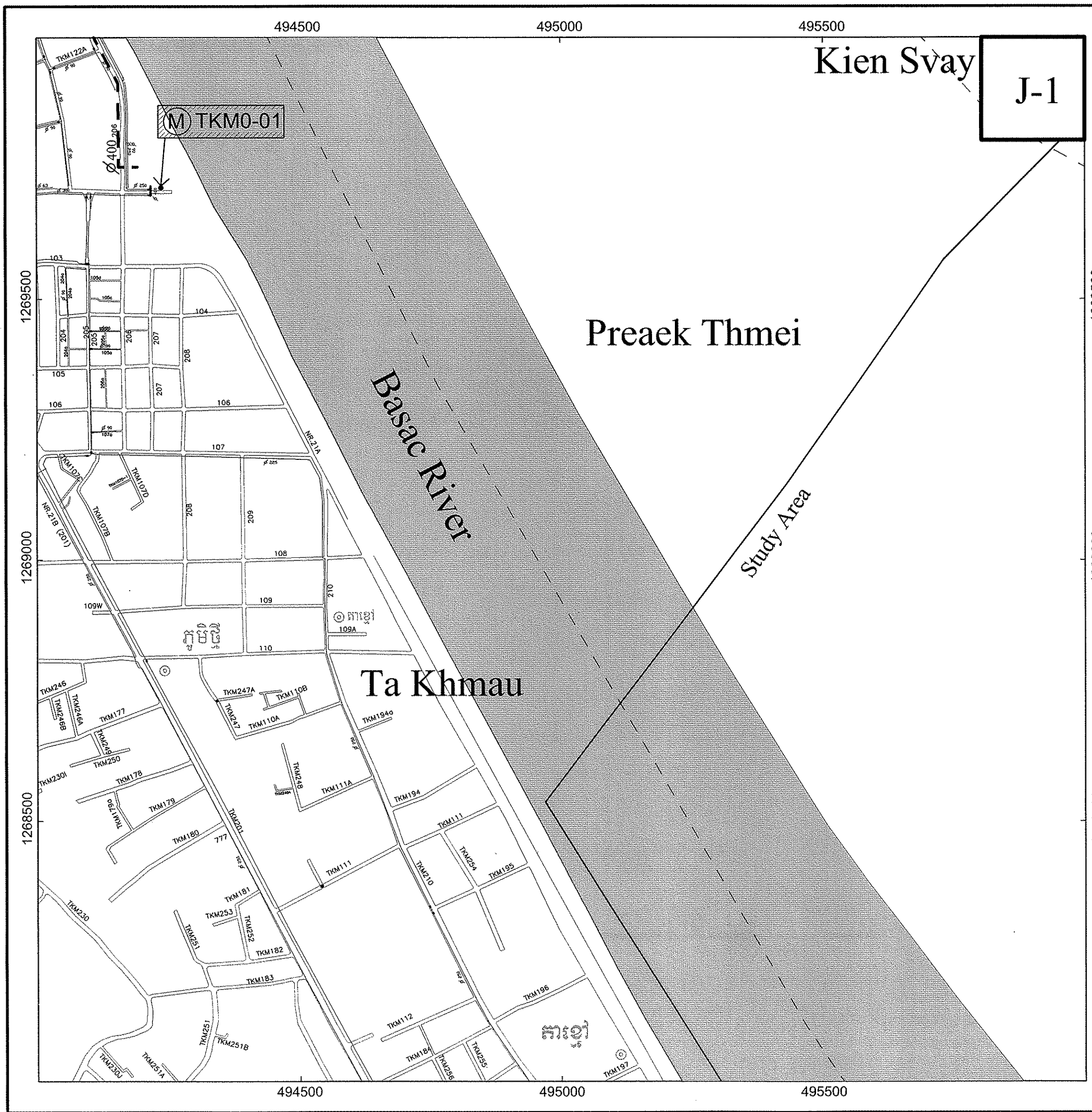
	Feasibility Pipe
	Existing Pipe (Diameter ≥ 400mm)
	Existing Pipe (Diameter < 400mm)
	Sub District
	Proposed Monitoring System



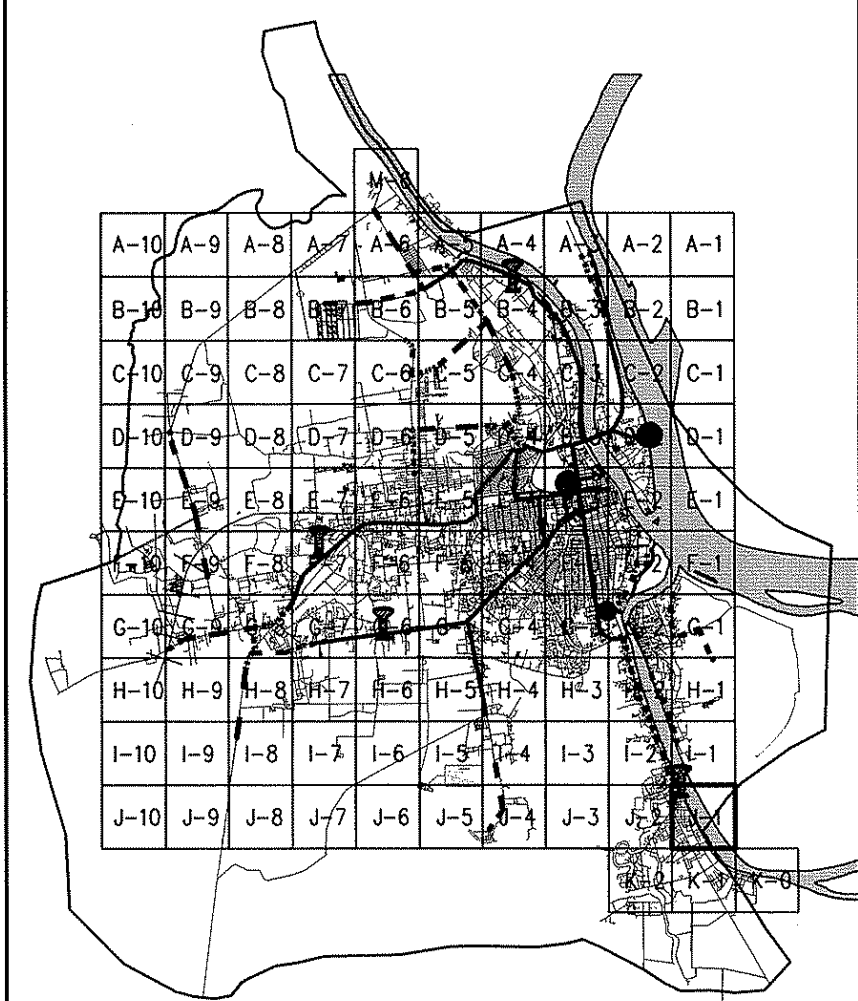
The Study on the Master Plan of Greater Phnom Penh Water Supply (Phase 2) in the Kingdom of Cambodia

Ta Khmau Branch - 3

DRAWING No.: III-31

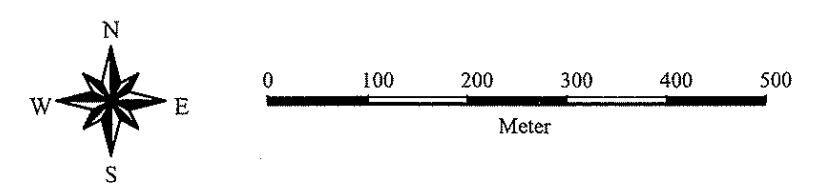


PHNOM PENH CITY - STUDY AREA



LEGEND

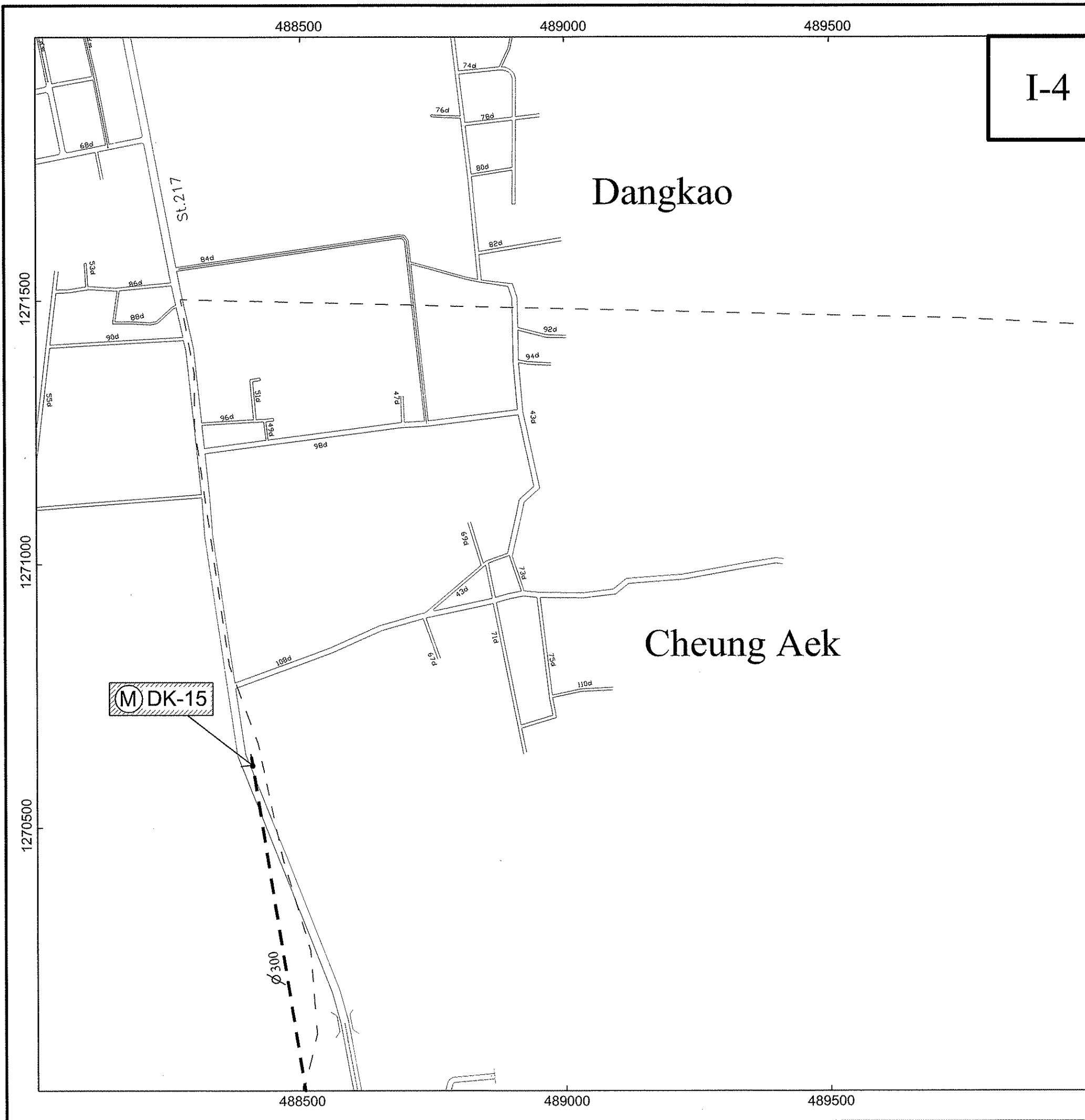
	Feasibility Pipe
	Existing Pipe (Diameter ≥ 400mm)
	Existing Pipe (Diameter < 400mm)
	Sub District
	Proposed Monitoring System



The Study on the Master Plan of Greater Phnom Penh Water Supply (Phase 2) in the Kingdom of Cambodia

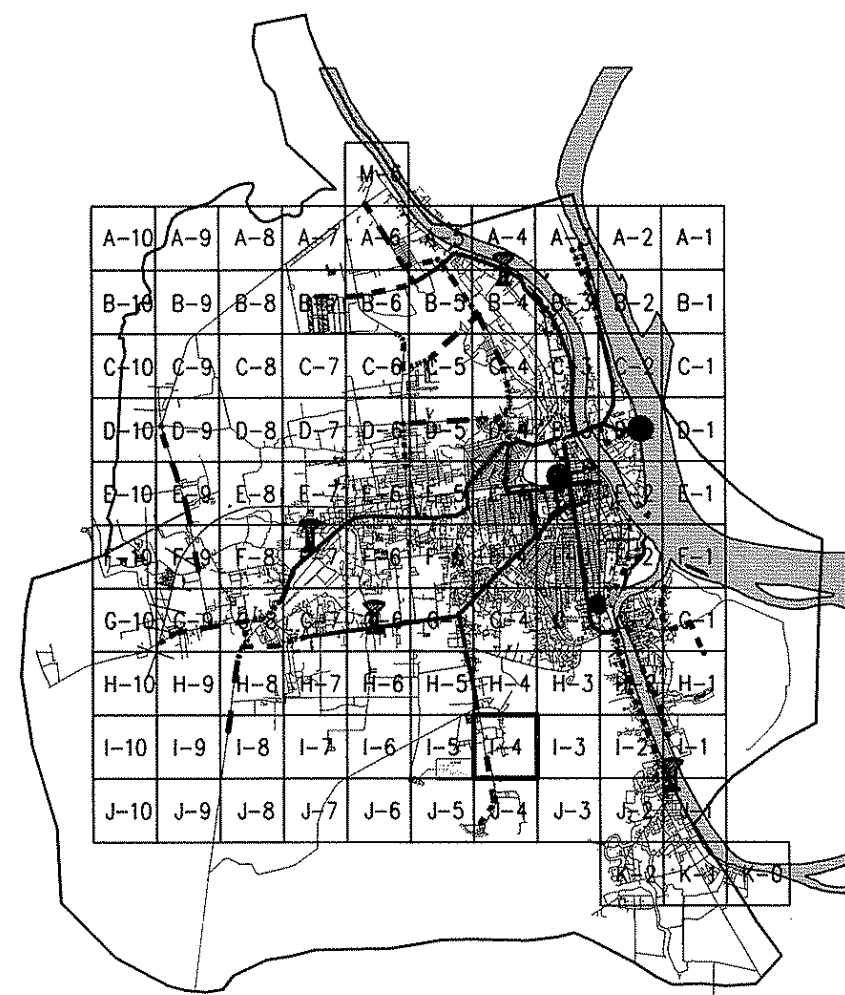
Ta Khmau Branch - 4

DRAWING No.: III-32



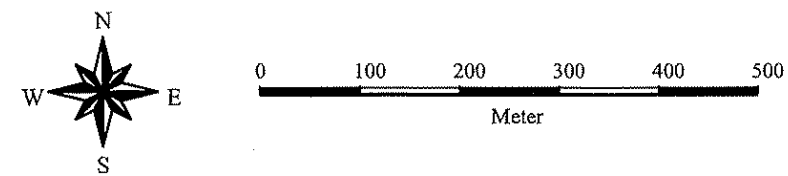
I-4

PHNOM PENH CITY - STUDY AREA



LEGEND

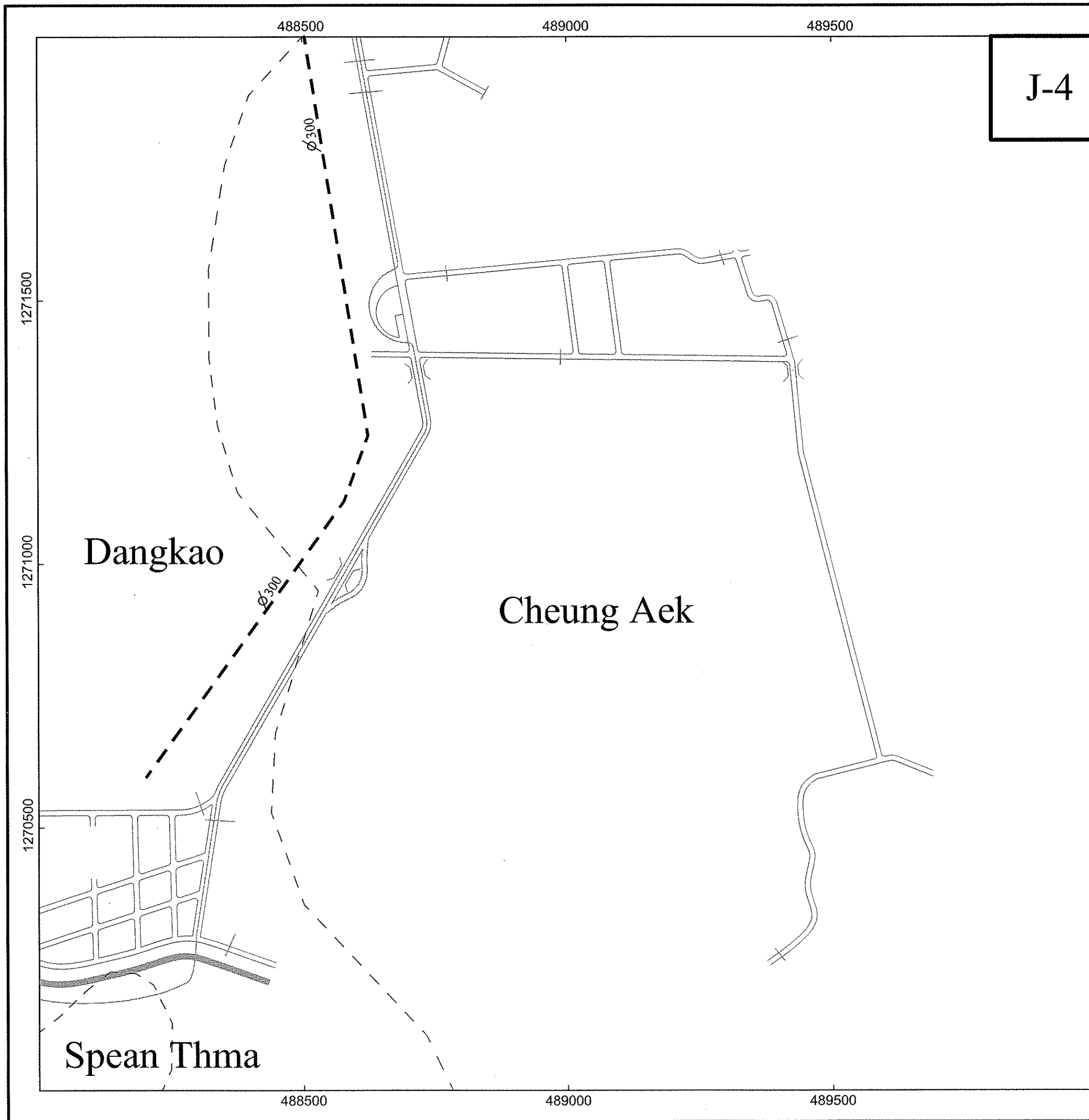
---	Feasibility Pipe
—	Existing Pipe (Diameter ≥ 400mm)
—	Existing Pipe (Diameter < 400mm)
- - -	Sub District
(M)	Proposed Monitoring System



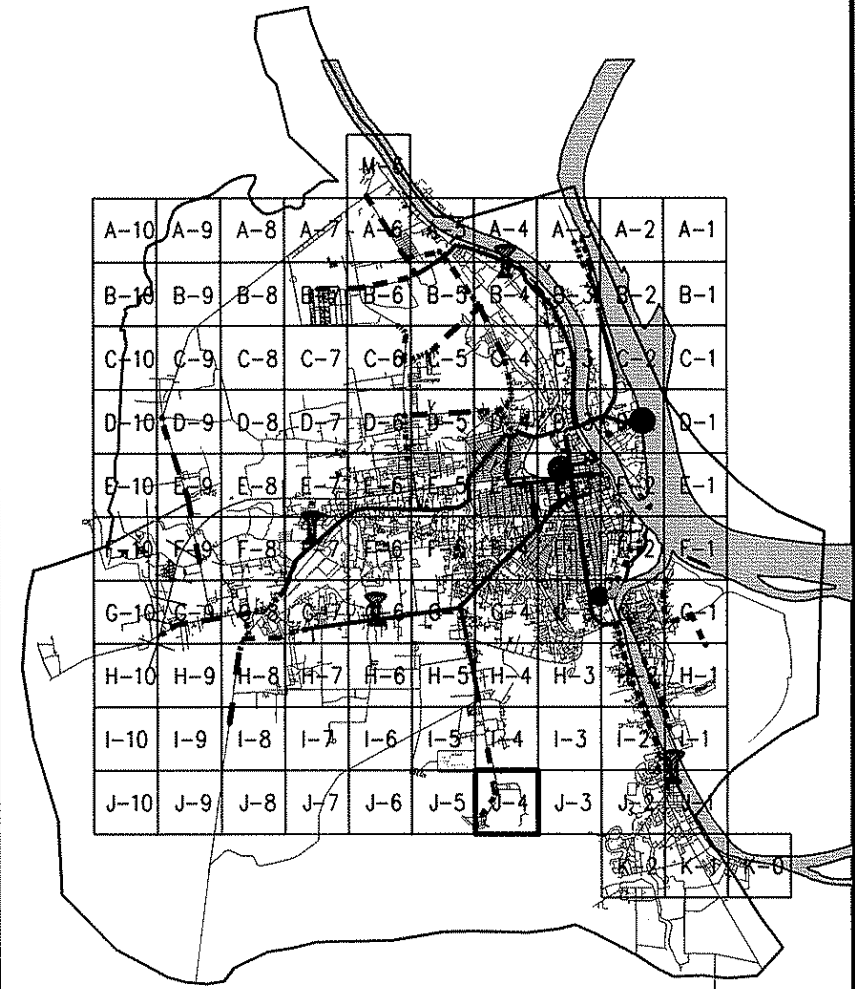
The Study on the Master Plan of Greater Phnom Penh Water Supply (Phase 2) in the Kingdom of Cambodia

Dangkao Branch - 1

DRAWING No.: III-33

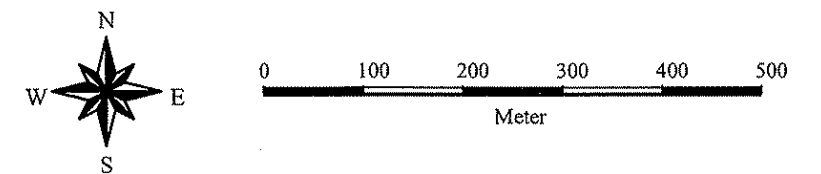


PHNOM PENH CITY - STUDY AREA



LEGEND

---	Feasibility Pipe
— (thick)	Existing Pipe (Diameter ≥ 400mm)
— (thin)	Existing Pipe (Diameter < 400mm)
---	Sub District
(M)	Proposed Monitoring System

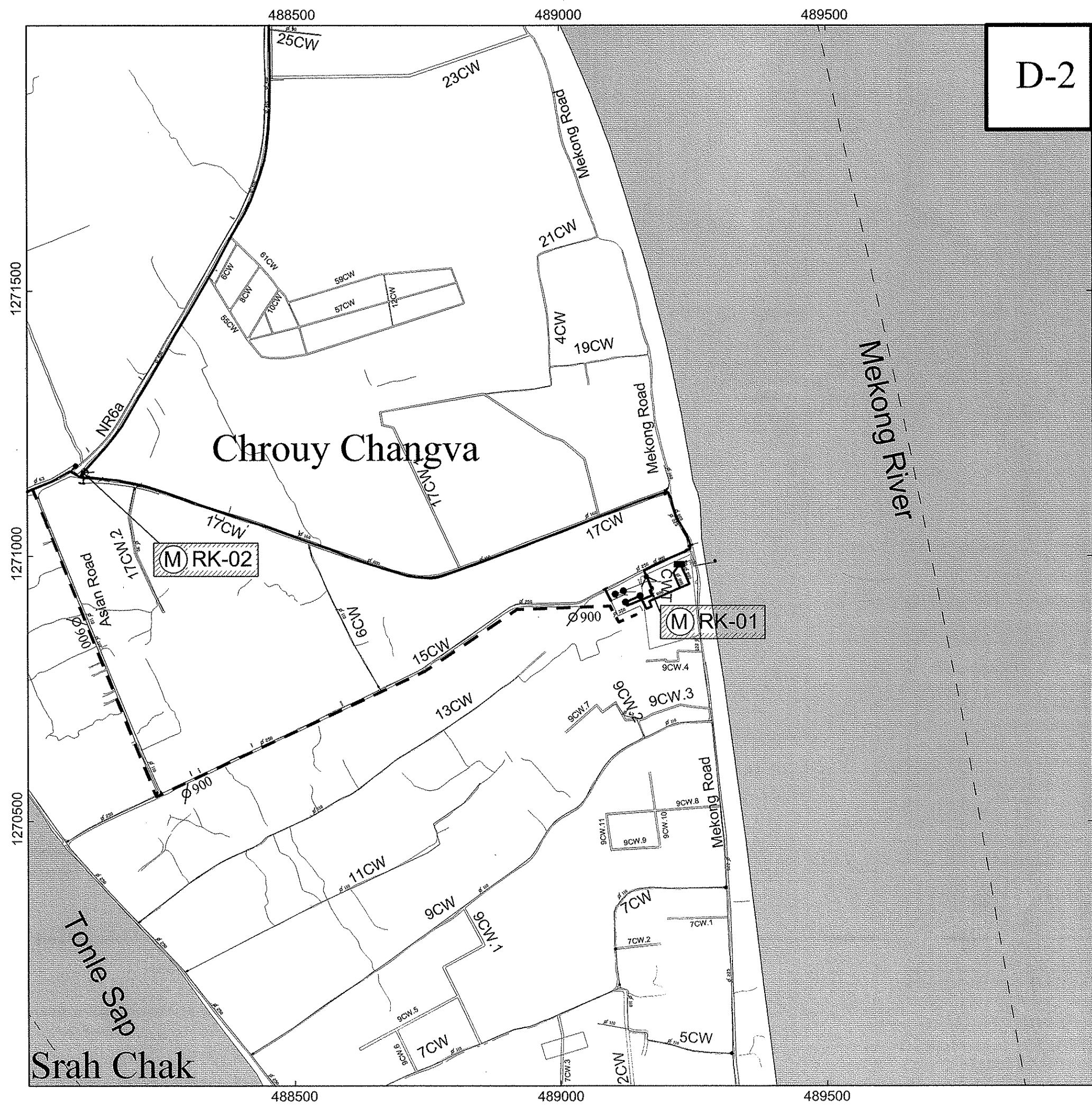


The Study on the Master Plan of Greater Phnom Penh Water Supply
(Phase 2) in the Kingdom of Cambodia

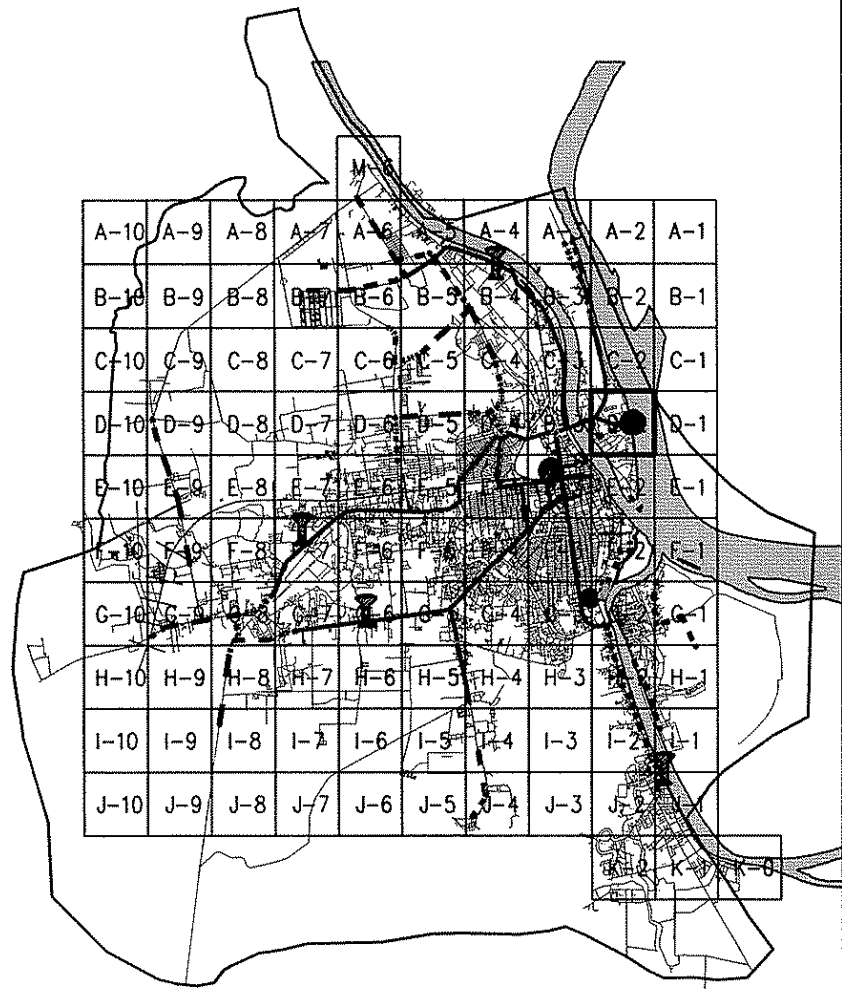
Dangkao Branch - 2

DRAWING
No.: III-34

D-2

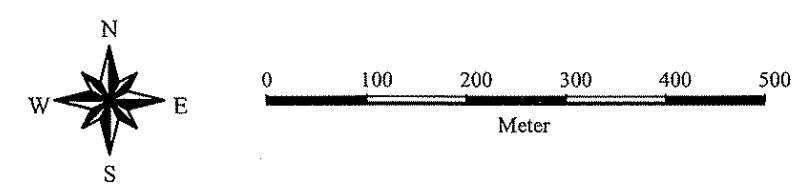


PHNOM PENH CITY - STUDY AREA



LEGEND

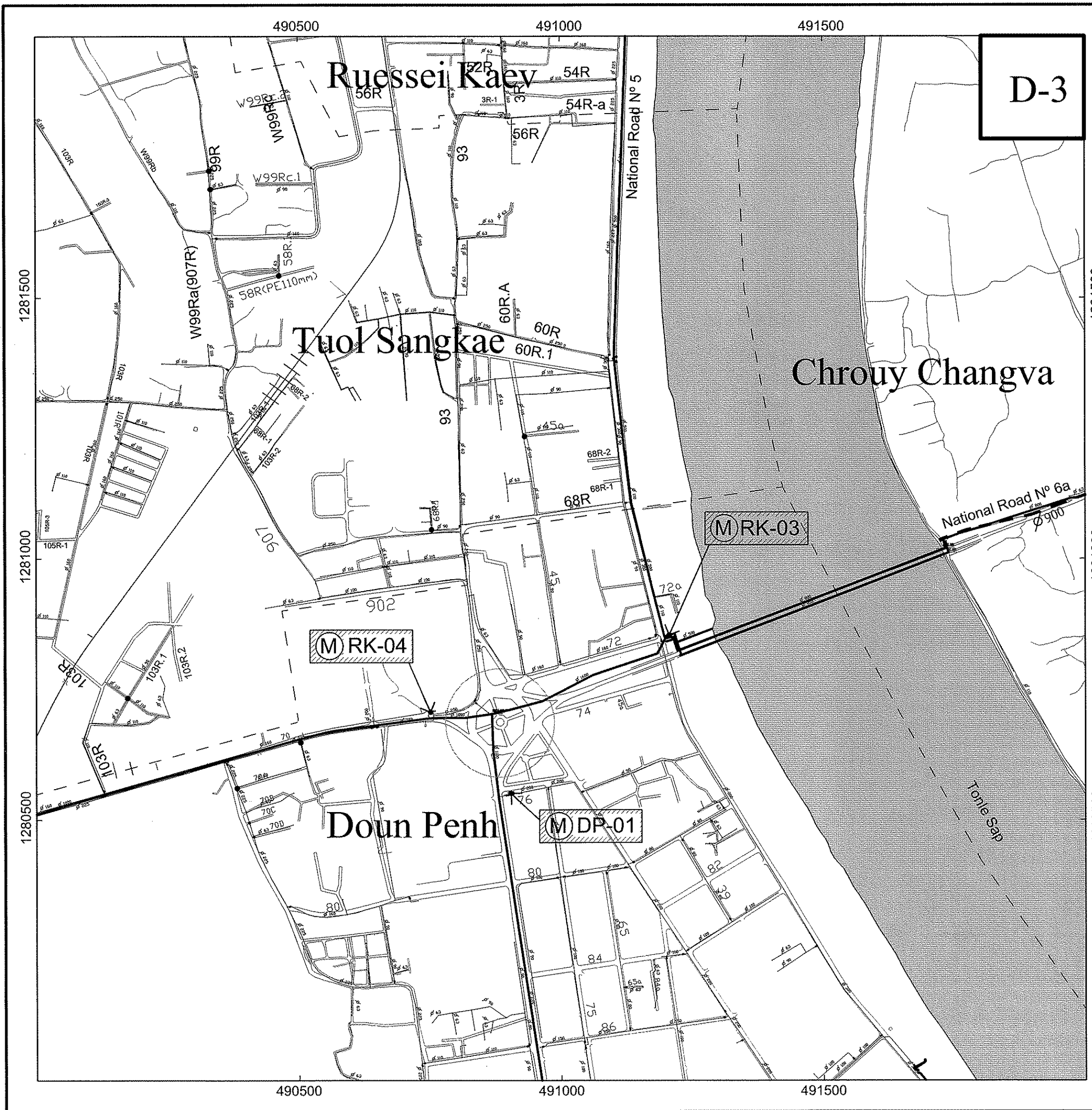
	Feasibility Pipe
	Existing Pipe (Diameter ≥ 400mm)
	Existing Pipe (Diameter < 400mm)
	Sub District
	Proposed Monitoring System



The Study on the Master Plan of Greater Phnom Penh Water Supply (Phase 2) in the Kingdom of Cambodia

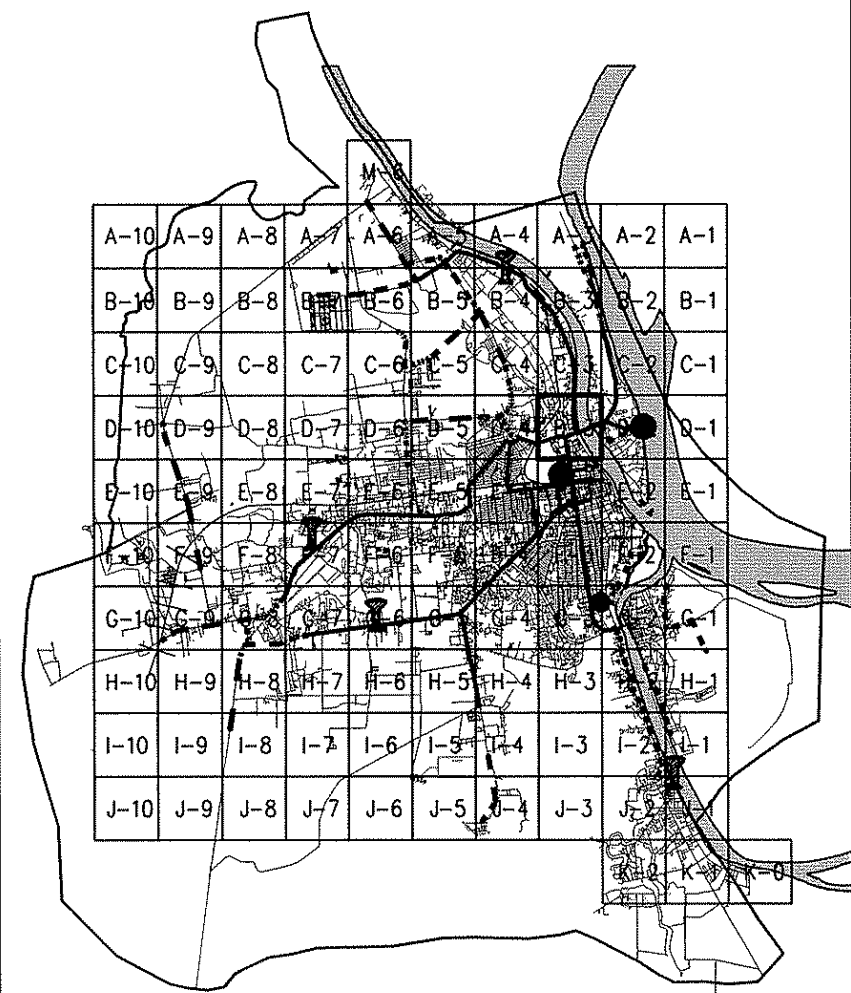
Main Trunk From CC-WTP-1

DRAWING No.: III-35



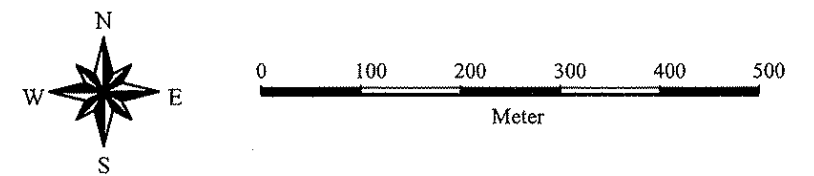
D-3

PHNOM PENH CITY - STUDY AREA



LEGEND

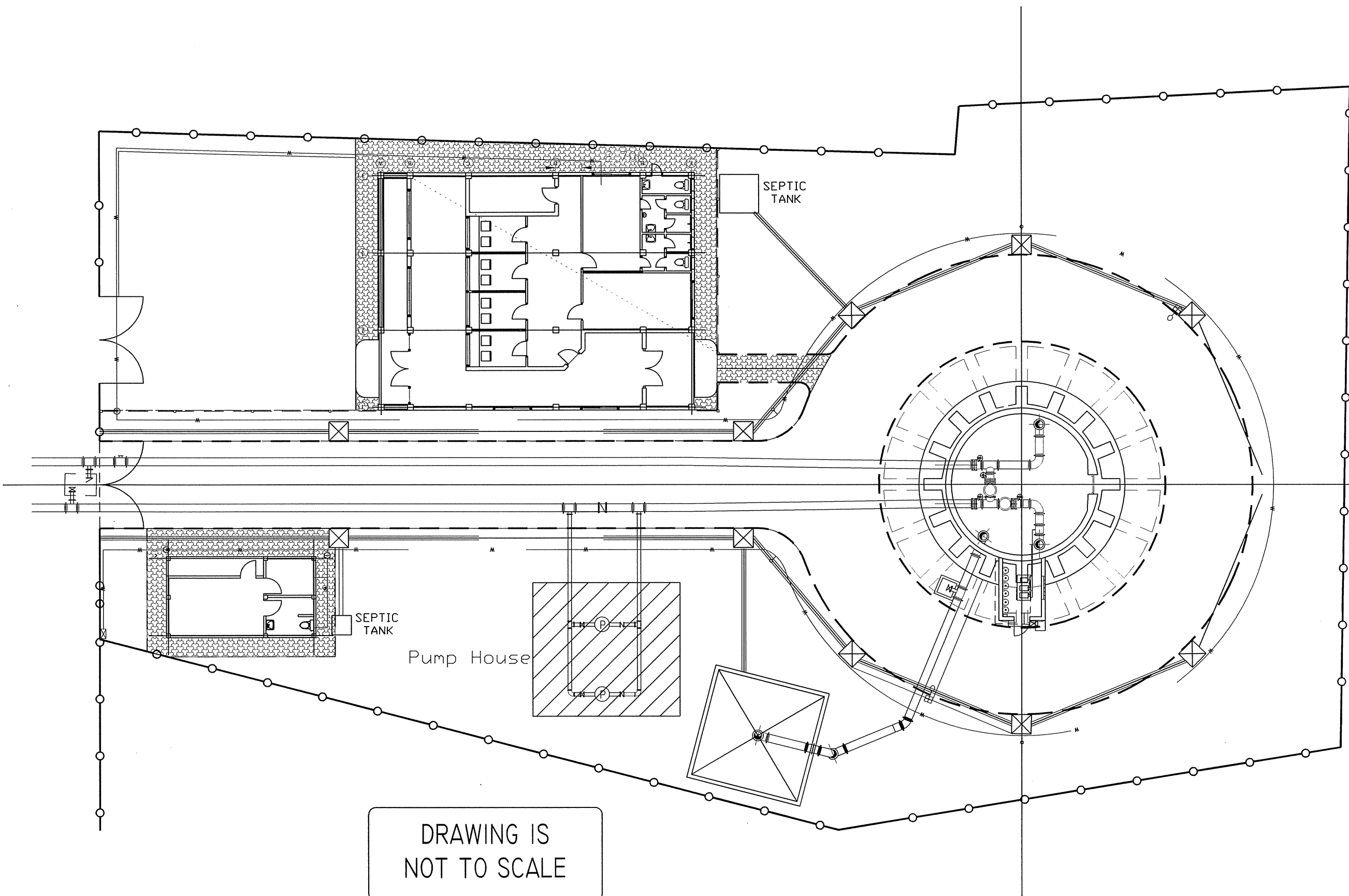
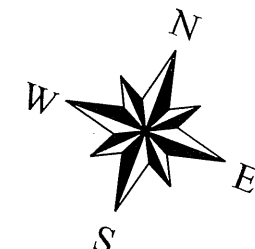
---	Feasibility Pipe
—	Existing Pipe (Diameter ≥ 400mm)
—	Existing Pipe (Diameter < 400mm)
---	Sub District
(M)	Proposed Monitoring System



The Study on the Master Plan of Greater Phnom Penh Water Supply (Phase 2) in the Kingdom of Cambodia

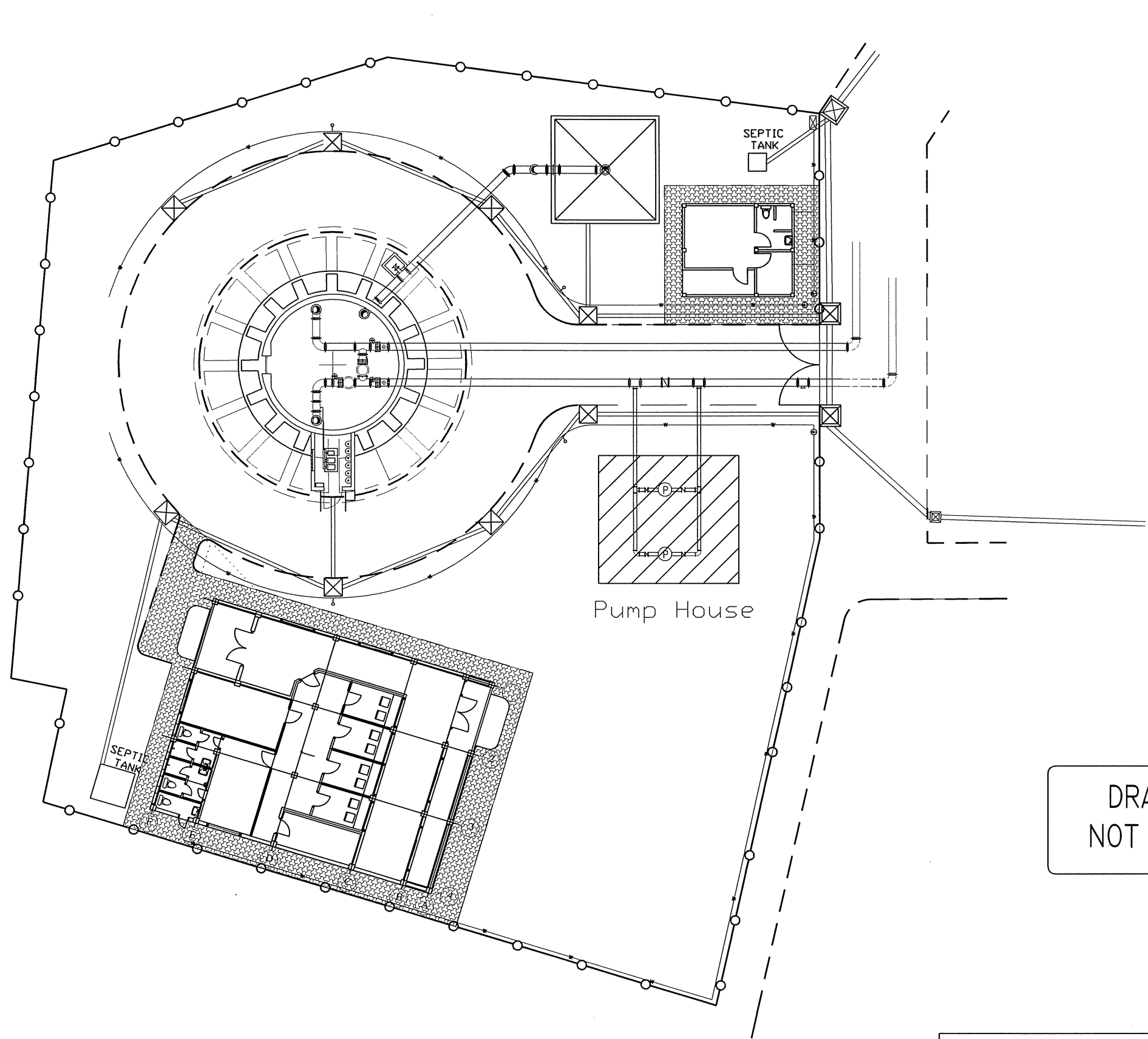
Main Trunk From CC-WTP-2

DRAWING No.: III-36



DRAWING IS
NOT TO SCALE

The Study on the Master Plan of Greater Phnom Penh Water Supply (Phase 2) in the Kingdom of Cambodia	
Layout of Airport Tank	DRAWING No.: IV-1

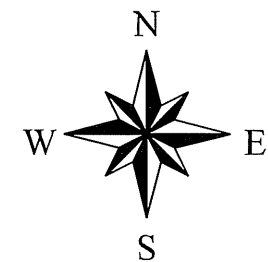


DRAWING IS
NOT TO SCALE

The Study on the Master Plan of Greater Phnom Penh Water Supply
(Phase 2) in the Kingdom of Cambodia

Layout of Chaom Chau Tank

DRAWING
No.: IV-2



↑ TO PHNOM PENH

BOUNDARY FENCE

TA KHMAU WATERWORKS COMPOUND

OFFICE

20,000

18,000

SEPTIC TANK

Pump House

Ø400mm

Ø500mm

DRAWING IS NOT TO SCALE

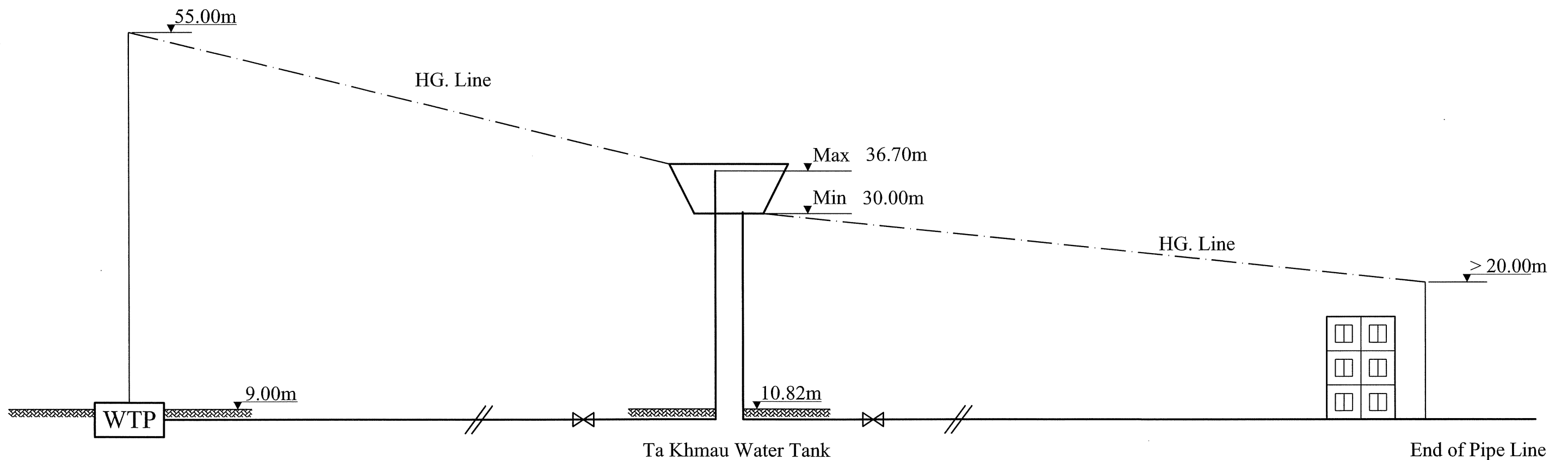
↓ TA KHMAU

The Study on the Master Plan of Greater Phnom Penh Water Supply
(Phase 2) in the Kingdom of Cambodia

Layout of Ta Khmau Water Tank

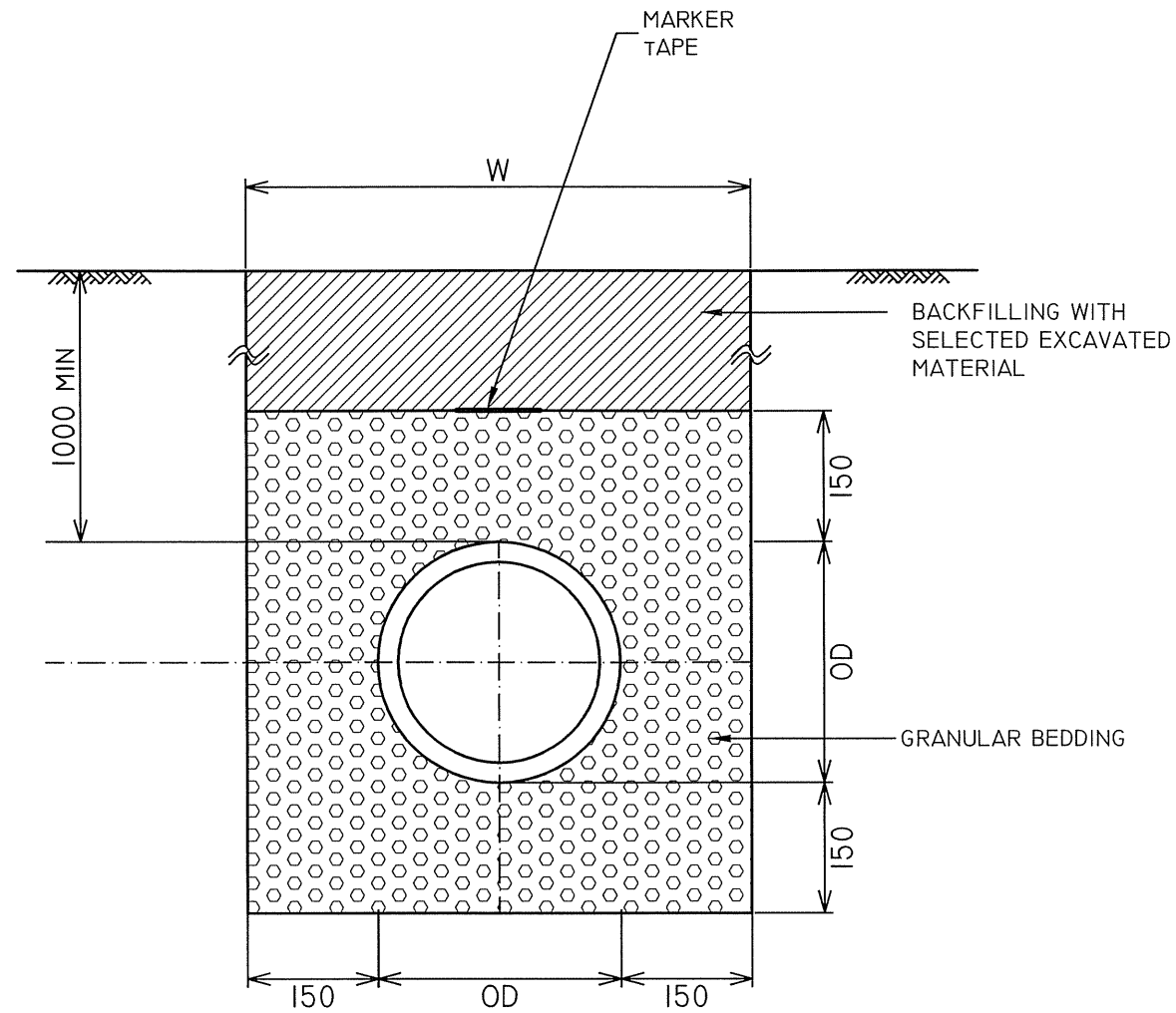
DRAWING
No.: IV-3

Hydrolic Profile of Ta Khmau Branch

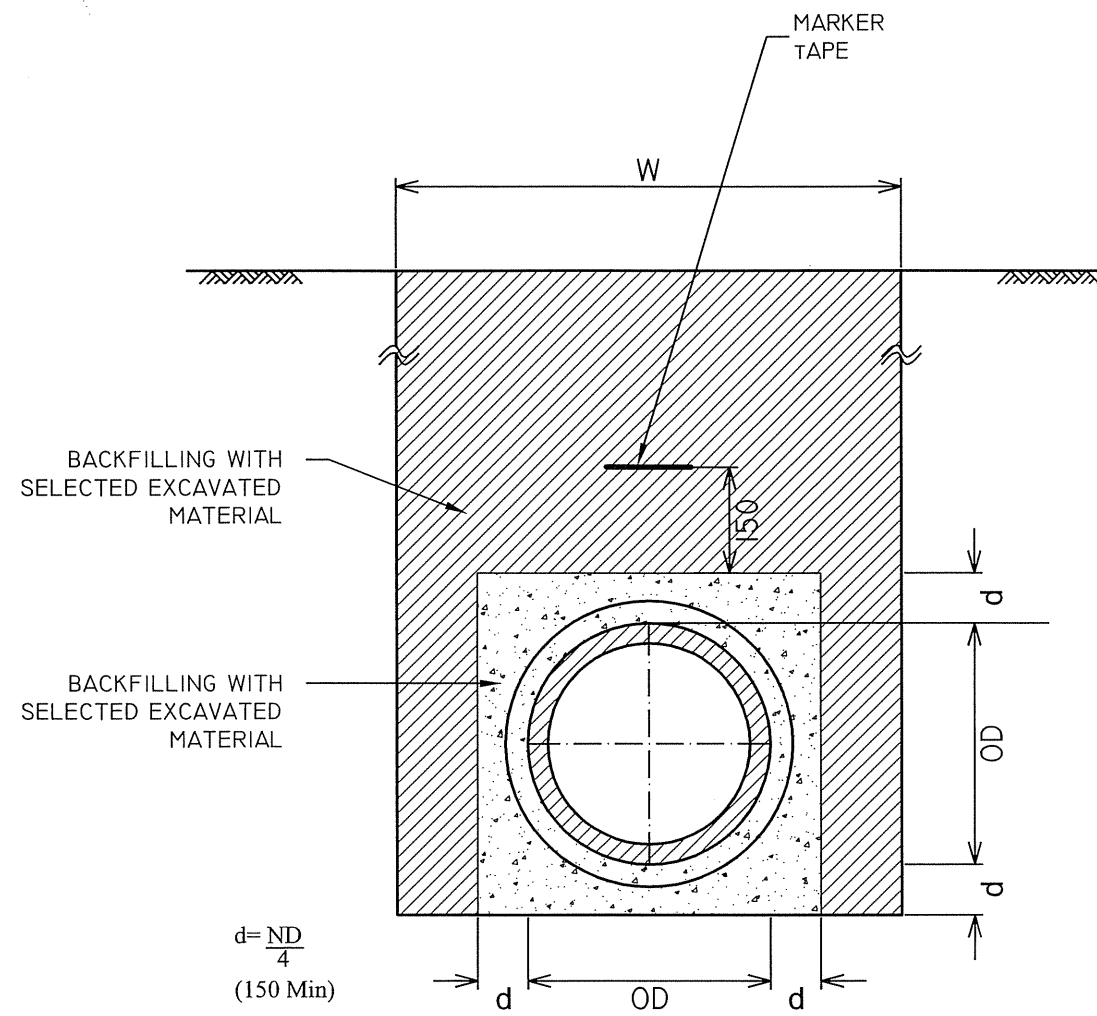


DRAWING IS NOT TO SCALE

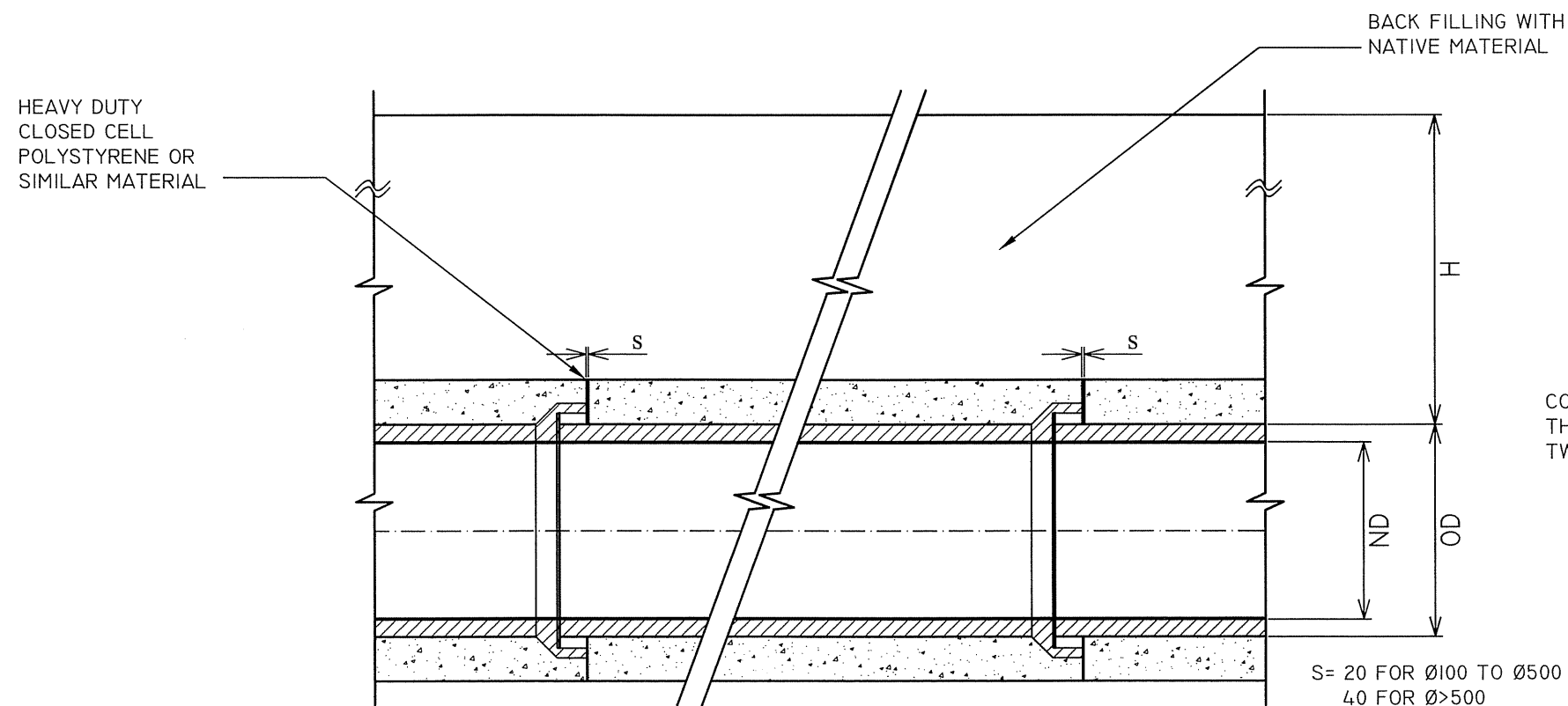
The Study on the Master Plan of Greater Phnom Penh Water Supply (Phase 2) in the Kingdom of Cambodia	
Hydraulic Profile of Ta Khmau Branch	DRAWING No.: IV-4



TYPICAL BURIED PIPE TRENCH



CONCRETE SURROUND



LONGITUDINAL SECTION FOR CONCRETE SURROUND

DRAWING IS NOT TO SCALE

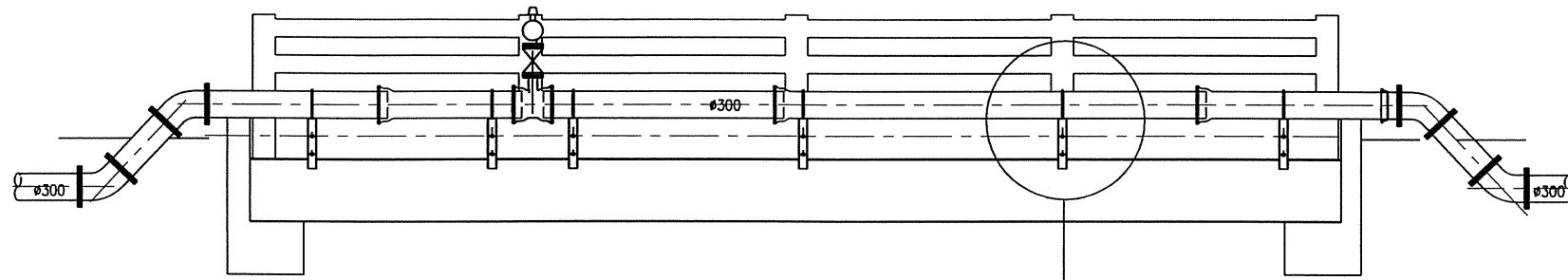
CONCRETE SURROUND OF PIPES SHALL BE POURED IN A MINIMUM OF TWO STEPS THE FIRST STEP SHALL COVER THE PIPE UP TO $OD/4$ AND THE TIME GAP BETWEEN TWO STEPS SHALL NOT BE LESS THAN 24 HOURS.

The Study on the Master Plan of Greater Phnom Penh Water Supply (Phase 2) in the Kingdom of Cambodia

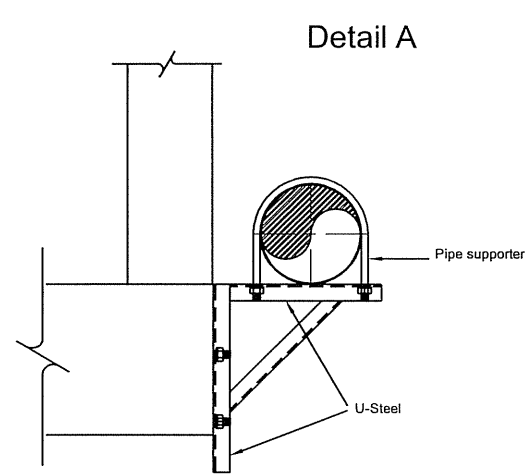
Typical of Pipe Trench

DRAWING No.: IV-5

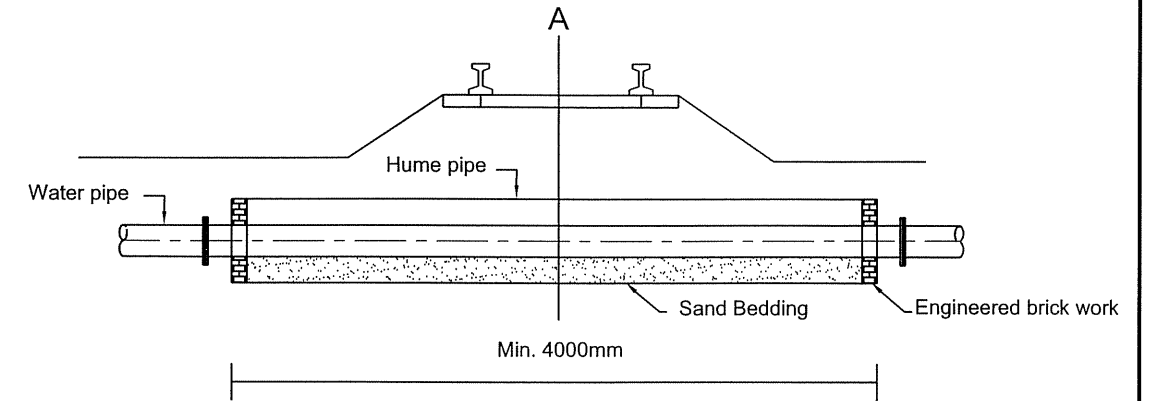
TYPICAL OF BRIDGE CROSSING



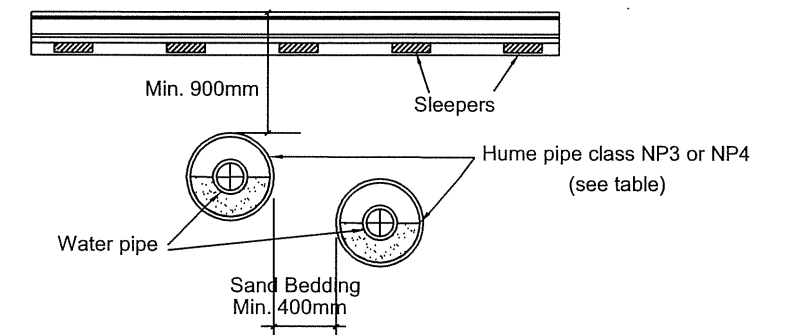
Detail A



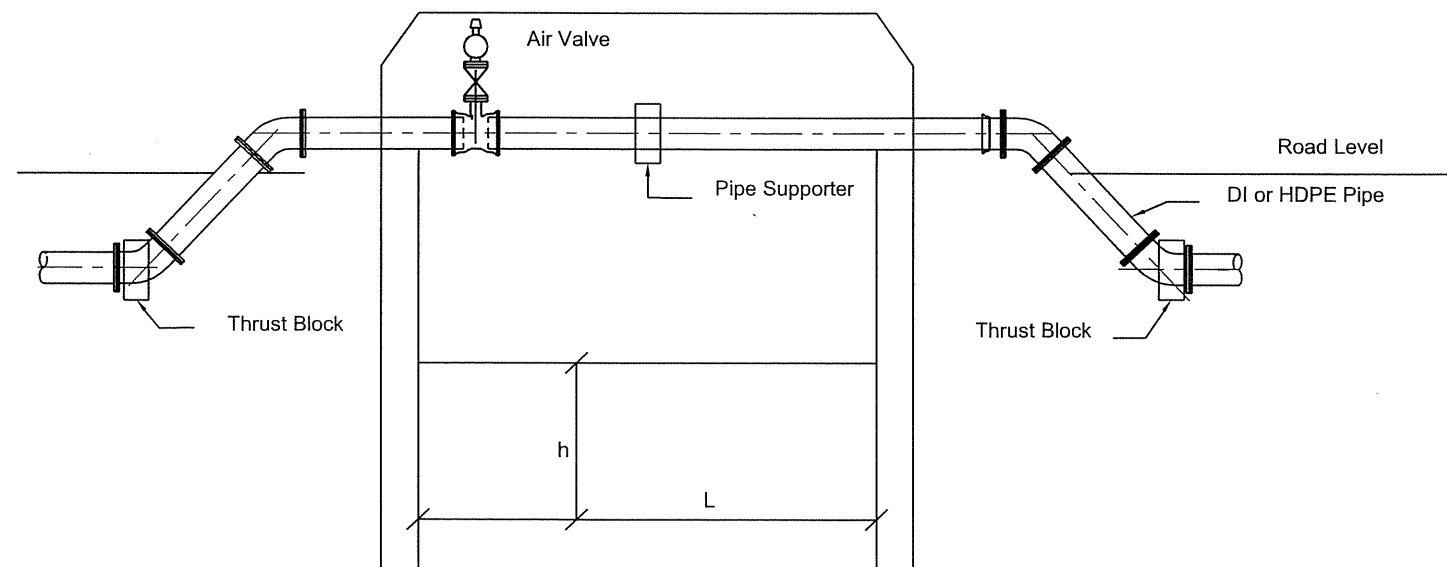
TYPICAL OF RAILWAY CROSSING



SECTION A



TYPICAL OF CULVERT CROSSING



NOMINAL DIAMETER OF WATER PIPE (MM)	DIAMETER OF HUME PIPE (MM)
350	600
250	450
200	326
150	326

DRAWING IS NOT TO SCALE

The Study on the Master Plan of Greater Phnom Penh Water Supply (Phase 2) in the Kingdom of Cambodia

Typical of Bridge
Railway and Culvert Crossing

DRAWING
No.: IV-6