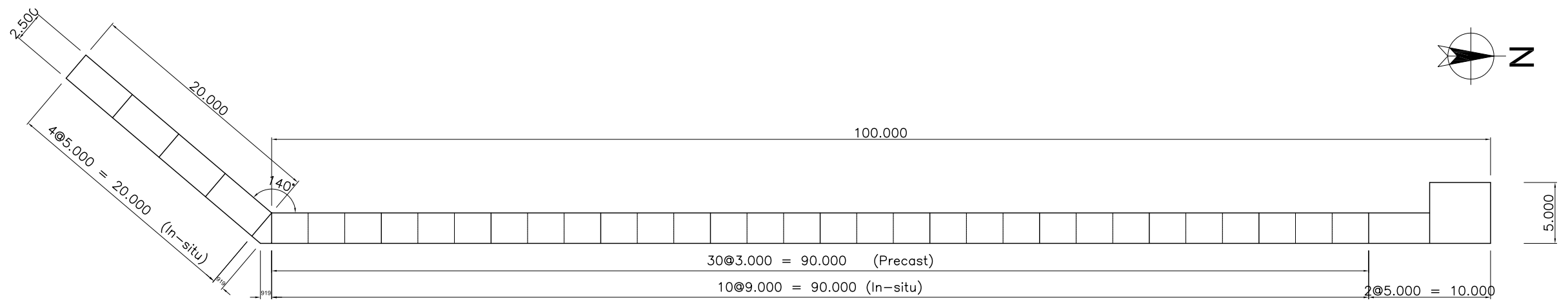
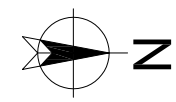
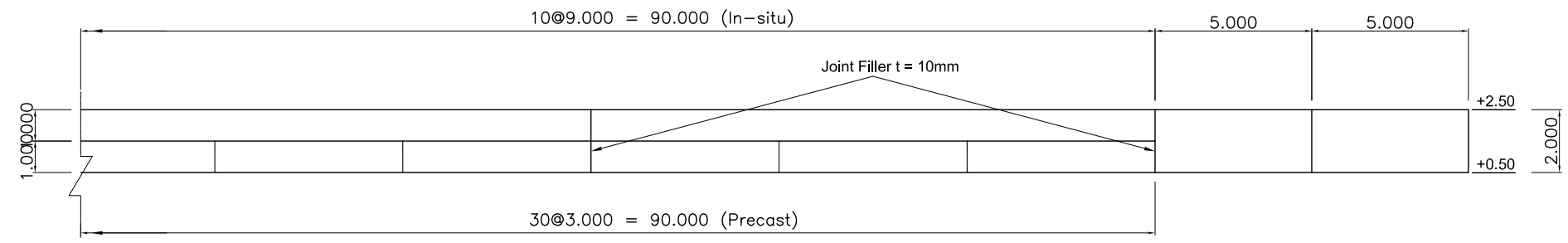


Connection between Existing Dam Barat and New Dam Barat

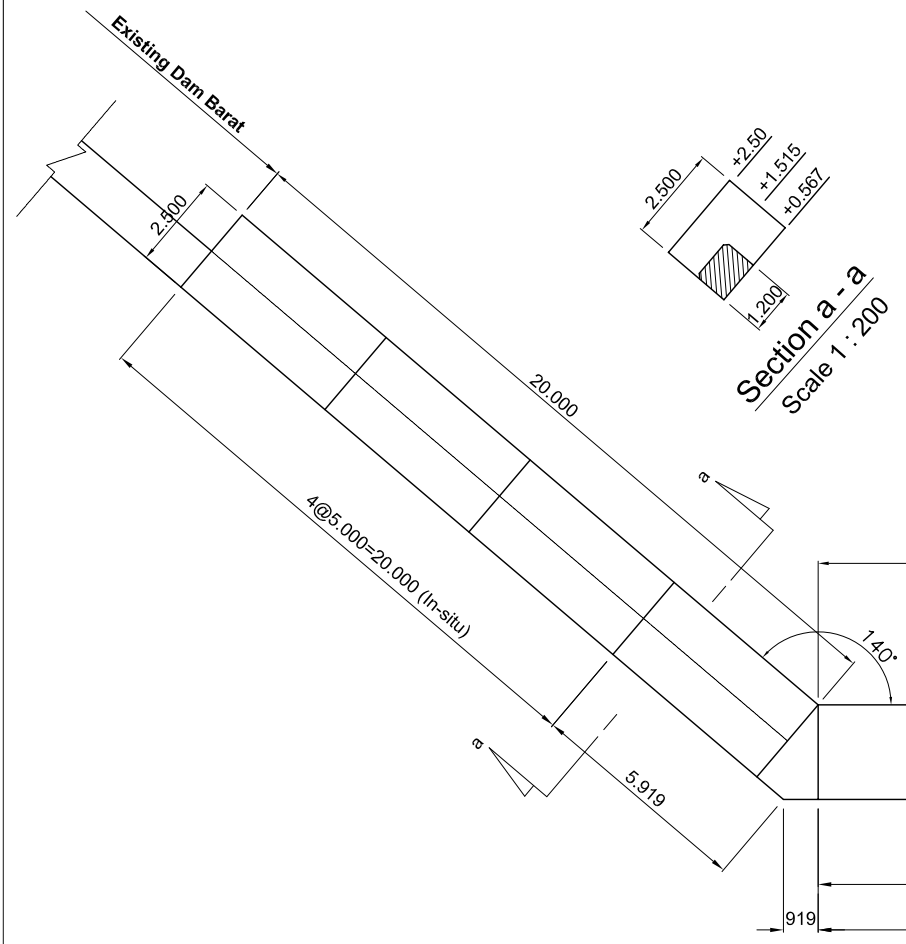
<p>JAPAN INTERNATIONAL COOPERATION AGENCY (JICA)</p>		<p>THE DETAILED DESIGN ON THE URGENT REHABILITATION PROJECT OF THE TANJUNG PRIOK PORT IN THE REPUBLIC OF INDONESIA</p>		<p>PREPARED BY: <i>[Signature]</i> Y. PRASETYANTO CHECKED BY: <i>[Signature]</i> M. IMAMURA APPROVED BY: <i>[Signature]</i> K. OKUBO</p>		<p>SECTION : CHANNEL AND BASIN IMPROVEMENT SUB-SECTION : Breakwater TITLE : Connection between Existing Dam Barat and New Dam Barat</p>		<p>DATE : MARCH 2006 SCALE : AS SHOWN DRAWING NO. : P-B-005</p>	
<p>DIRECTORATE GENERAL OF SEA COMMUNICATION (DGSC)</p>		<p>NIPPON KOEI CO., LTD. JAPAN PORT CONSULTANTS, LTD.</p>							
REV. NO.	DATE	COORDINATE	BY	APPROVED	DATE				



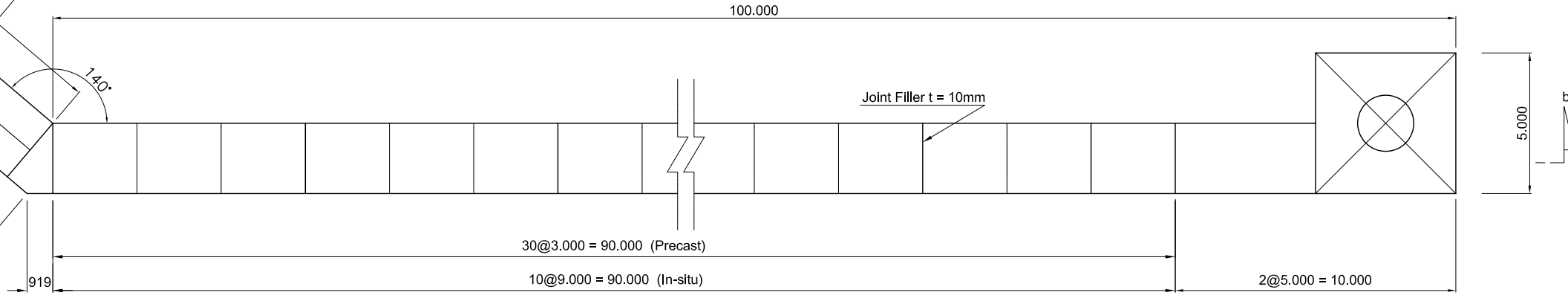
Scale 1 : 400



Section b - b
Scale 1 : 200



Section a - a
Scale 1 : 200

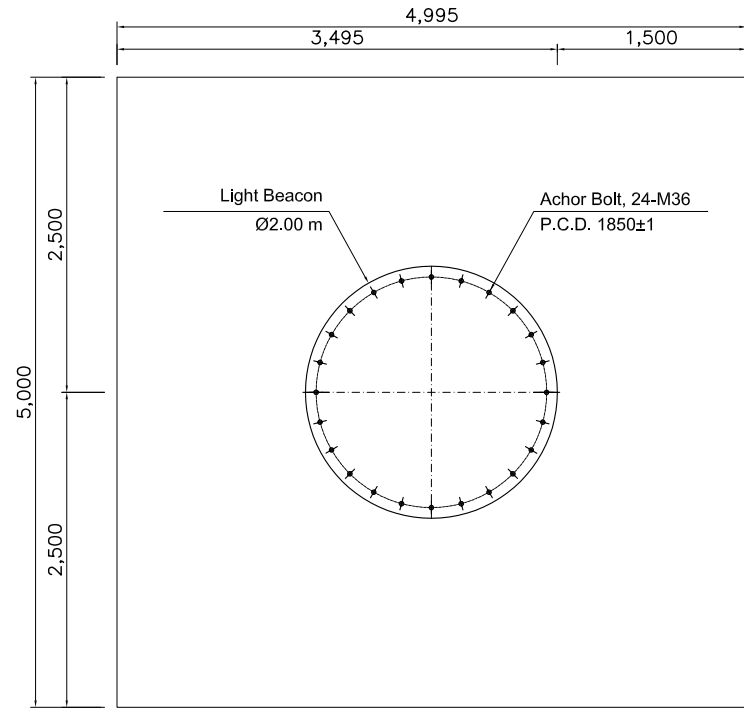


Scale 1 : 200

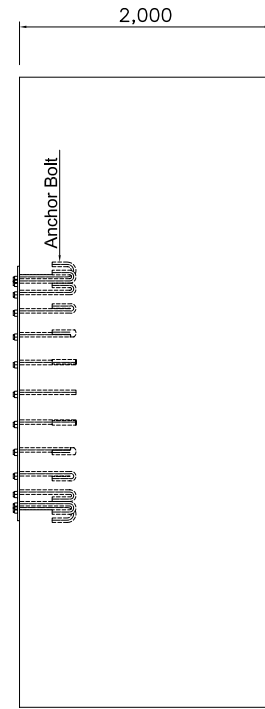
Coping Concrete of New Dam Barat

REV. NO.	DATE	COORDINATE	BY	APPROVED	DATE	<p>JAPAN INTERNATIONAL COOPERATION AGENCY (JICA)</p> <p>DIRECTORATE GENERAL OF SEA COMMUNICATION (DGSC)</p>	<p>THE DETAILED DESIGN ON THE URGENT REHABILITATION PROJECT OF THE TANJUNG PRIK PORT IN THE REPUBLIC OF INDONESIA</p> <p>NIPPON KOEI CO., LTD.</p> <p>JAPAN PORT CONSULTANTS, LTD.</p>	PREPARED BY : Y. PRASTYANTO CHECKED BY : M. IMAMURA APPROVED BY : K. OKUBO	SECTION : CHANNEL AND BASIN IMPROVEMENT SUB-SECTION : Breakwater TITLE : Coping Concrete (1) - New Dam Barat	DATE : MARCH 2006 SCALE : AS SHOWN DRAWING NO. : P-B-006

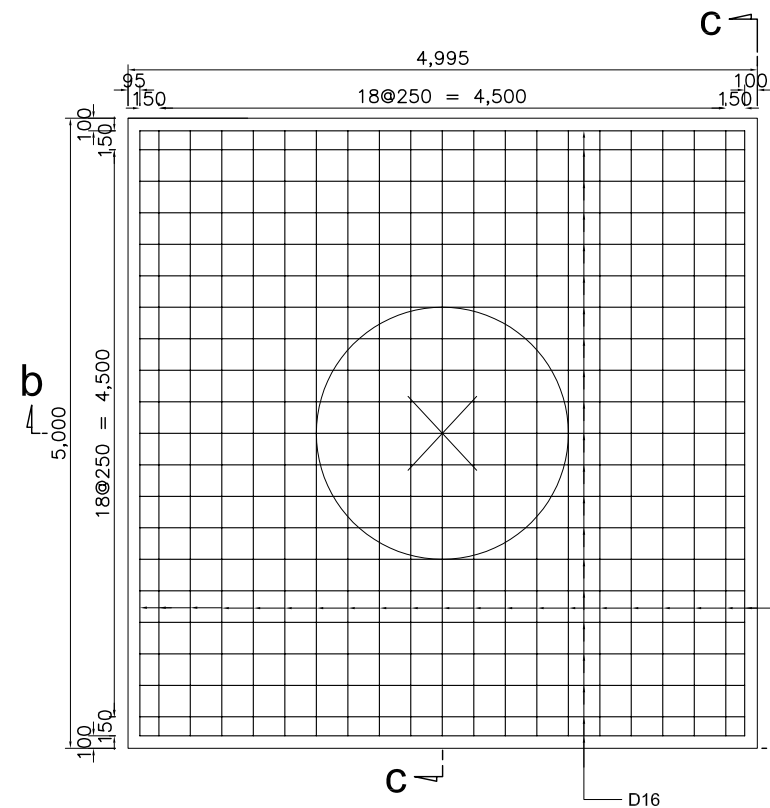
Coping Concrete (In-situ for Installing Lighting Beacon) of New Dam Barat



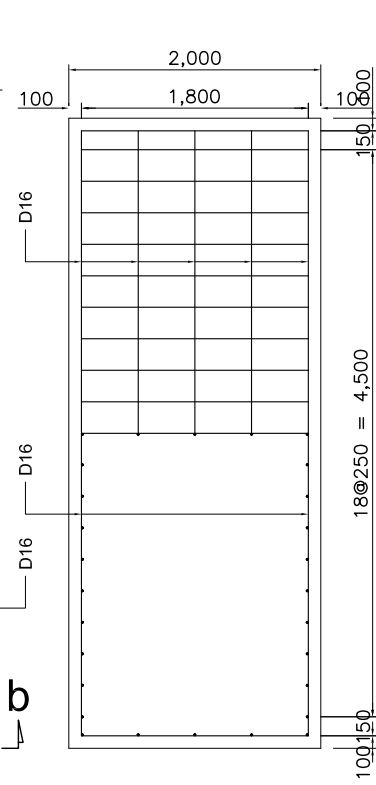
Plan
Scale 1 : 60



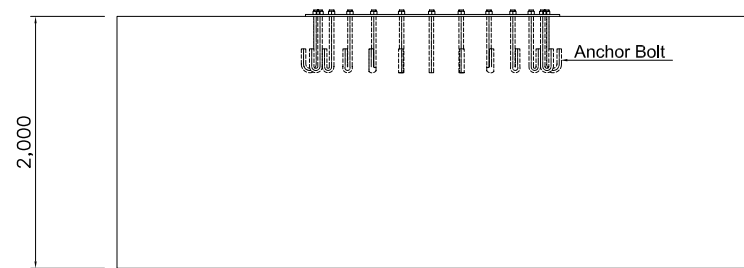
Side View
Scale 1 : 60



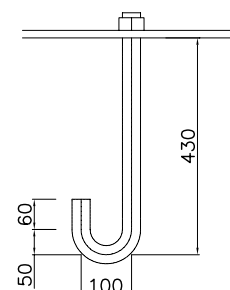
Section a - a
Scale 1 : 60



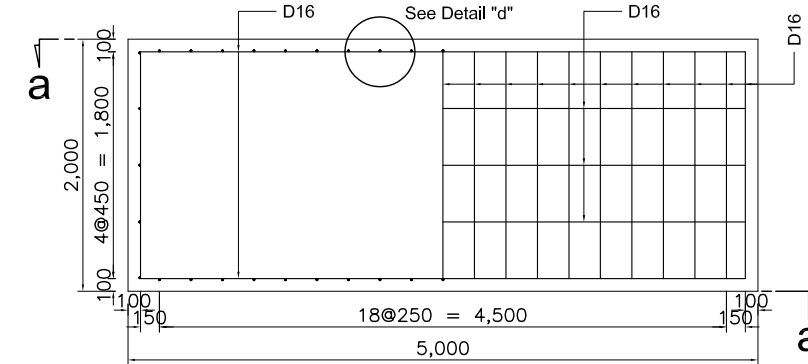
Section c - c
Scale 1 : 60



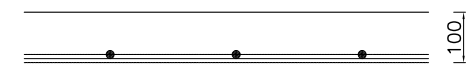
Front View
Scale 1 : 60



Detail of Anchor Bolt, Ø36
Scale 1 : 15



Section b - b
Scale 1 : 60



d Detail
Scale 1 : 15

Shape of Coping

Reinforcement Bar Arrangement

REV. NO.	DATE	COORDINATE	BY	APPROVED	DATE

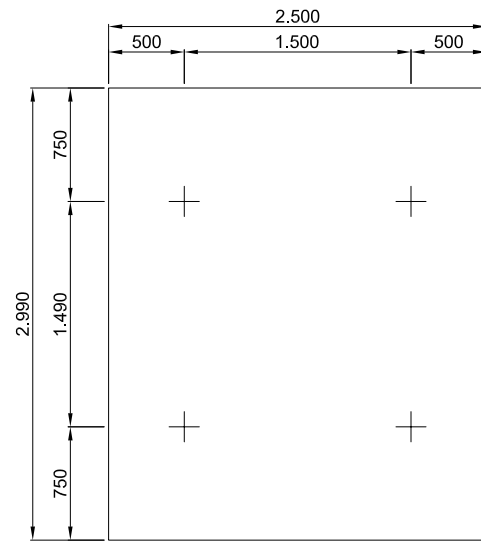
JICA
 JAPAN INTERNATIONAL
 COOPERATION AGENCY (JICA)
**DIRECTORATE GENERAL OF
 SEA COMMUNICATION (DGSC)**

**THE DETAILED DESIGN
 ON THE URGENT REHABILITATION PROJECT
 OF THE TANJUNG PRIK PORT
 IN THE REPUBLIC OF INDONESIA**
NIPPON KOEI CO., LTD.
JAPAN PORT CONSULTANTS, LTD.

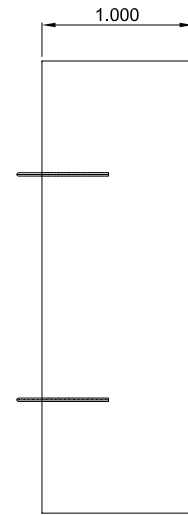
PREPARED BY :
 Y. PRASTYANTO
 CHECKED BY :
 M. IMAMURA
 APPROVED BY :
 K. OKUBO

SECTION : CHANNEL AND BASIN IMPROVEMENT
 SUB-SECTION : Breakwater
 TITLE : Coping Concrete (2)
 - New Dam Barat

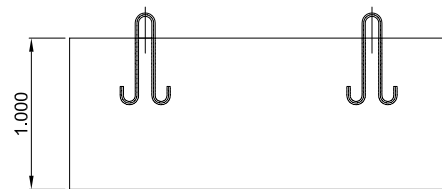
DATE : MARCH 2006
 SCALE : AS SHOWN
 DRAWING NO. : P-B-007



Plan
Scale 1 : 50

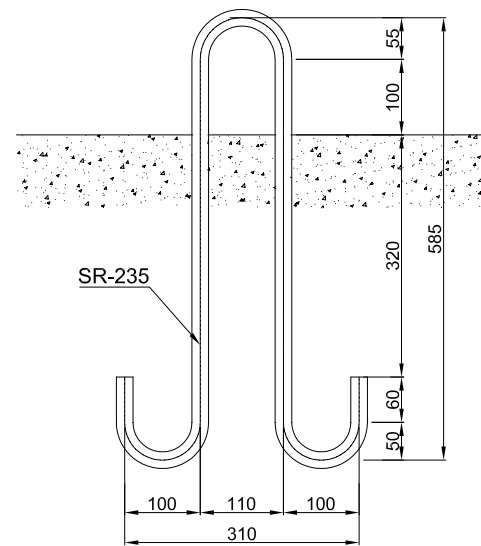


View Side
Scale 1 : 50

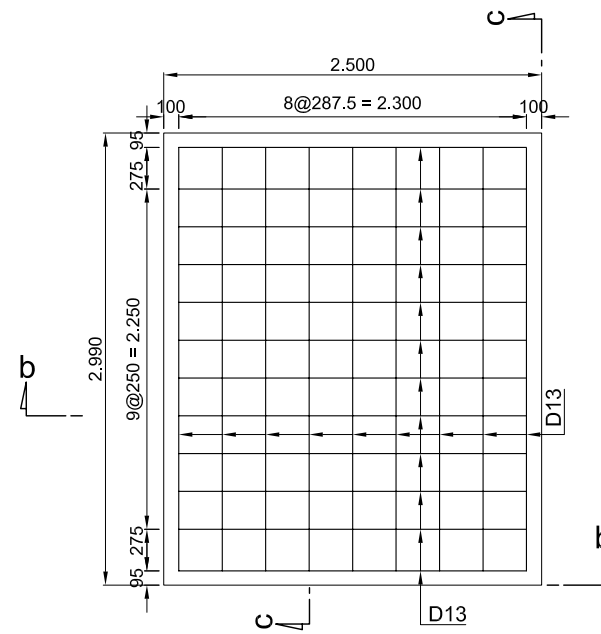


Front Side
Scale 1 : 50

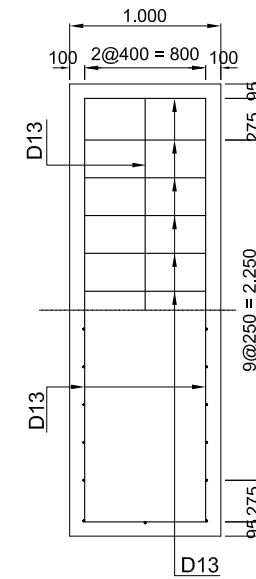
Shape of Coping



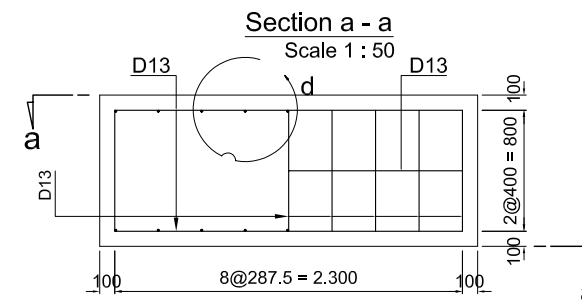
Detail of Lifting Bar, Ø 22
Scale 1 : 50



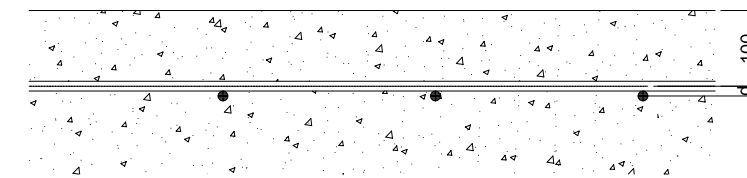
Section a - a
Scale 1 : 50



Section c - c
Scale 1 : 50



Section b - b
Scale 1 : 50



d Detail
Scale 1 : 50

Coping Concrete (Precast) of New Dam Barat

Reinforcement Bar Arrangement

REV. NO.	DATE	COORDINATE	BY	APPROVED	DATE



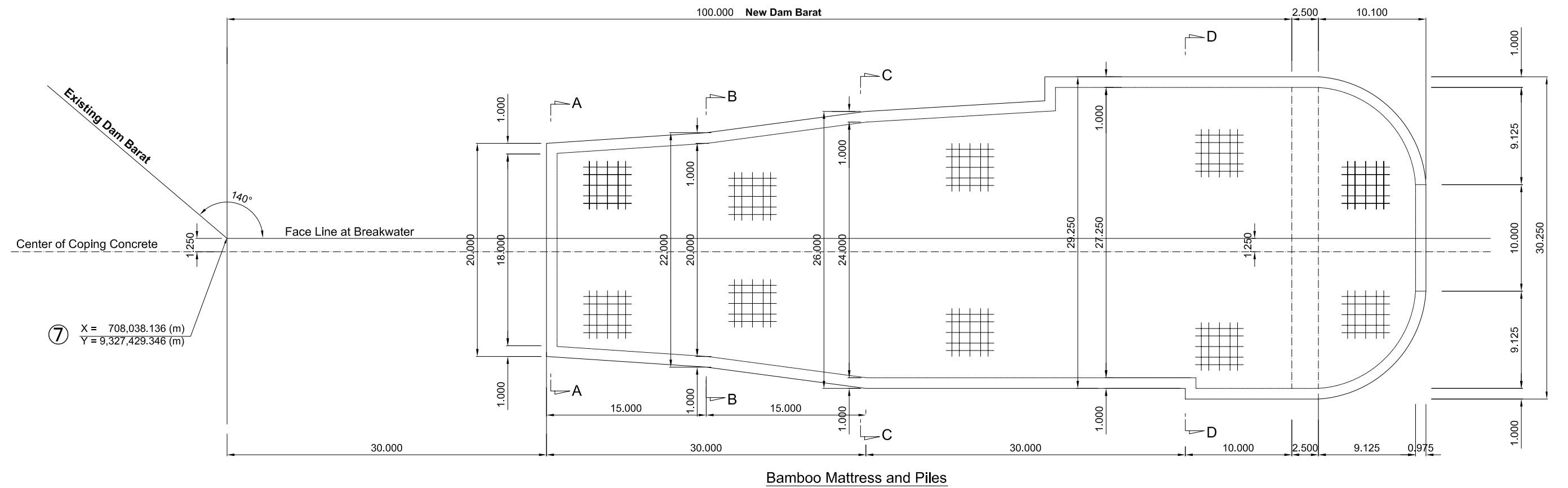
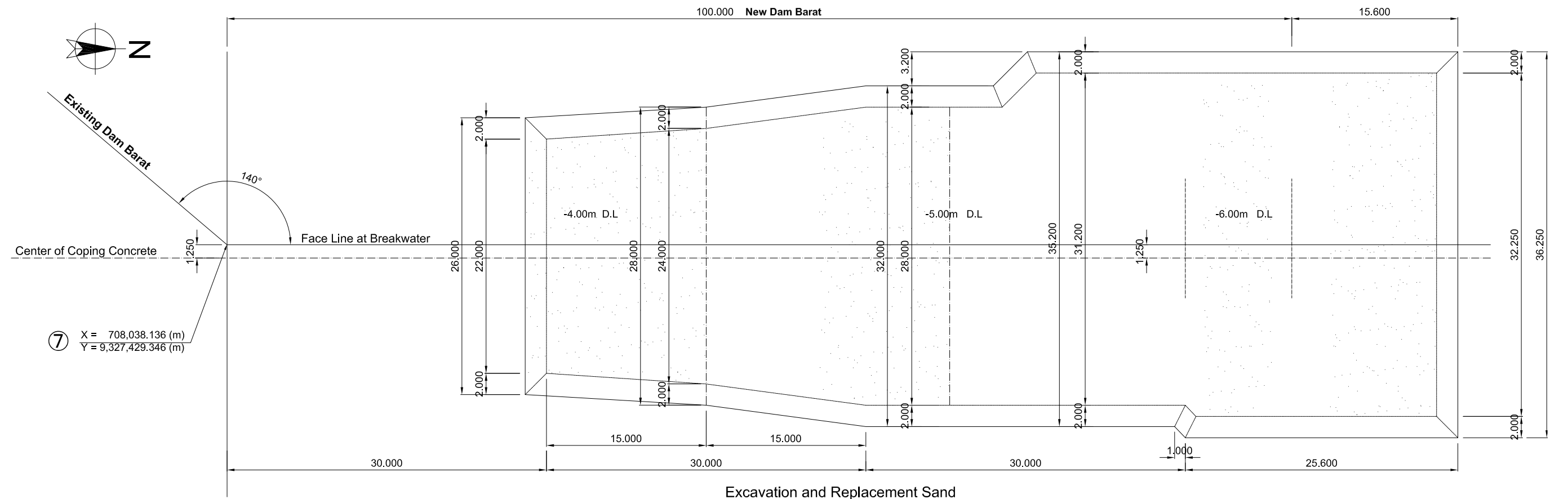
JAPAN INTERNATIONAL COOPERATION AGENCY (JICA)
DIRECTORATE GENERAL OF SEA COMMUNICATION (DGSC)

THE DETAILED DESIGN ON THE URGENT REHABILITATION PROJECT OF THE TANJUNG PRIK PORT IN THE REPUBLIC OF INDONESIA
NIPPON KOEI CO., LTD.
JAPAN PORT CONSULTANTS, LTD.

PREPARED BY: *[Signature]*
CHECKED BY: *[Signature]*
APPROVED BY: *[Signature]*

SECTION : CHANNEL AND BASIN IMPROVEMENT
SUB-SECTION : BREAKWATER
TITLE : Coping Concrete (3) - New Dam Barat

DATE : MARCH 2006
SCALE : AS SHOWN
DRAWING NO. : P-B-008



Foundation of New Dam Barat

REV. NO.	DATE	COORDINATE	BY	APPROVED	DATE

JICA
 JAPAN INTERNATIONAL COOPERATION AGENCY (JICA)

 DIRECTORATE GENERAL OF SEA COMMUNICATION (DGSC)

THE DETAILED DESIGN
 ON THE URGENT REHABILITATION PROJECT
 OF THE TANJUNG PRIOK PORT
 IN THE REPUBLIC OF INDONESIA

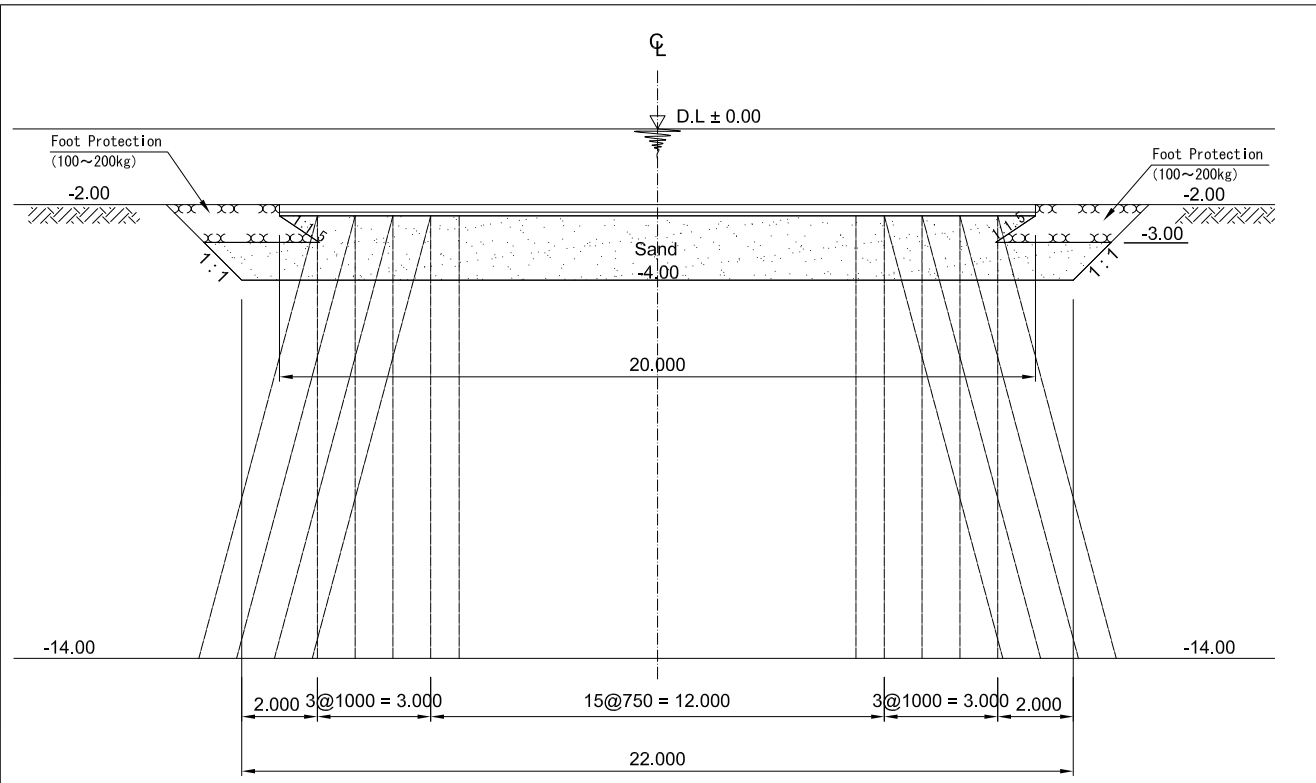
 NIPPON KOEI CO., LTD.

 JAPAN PORT CONSULTANTS, LTD.

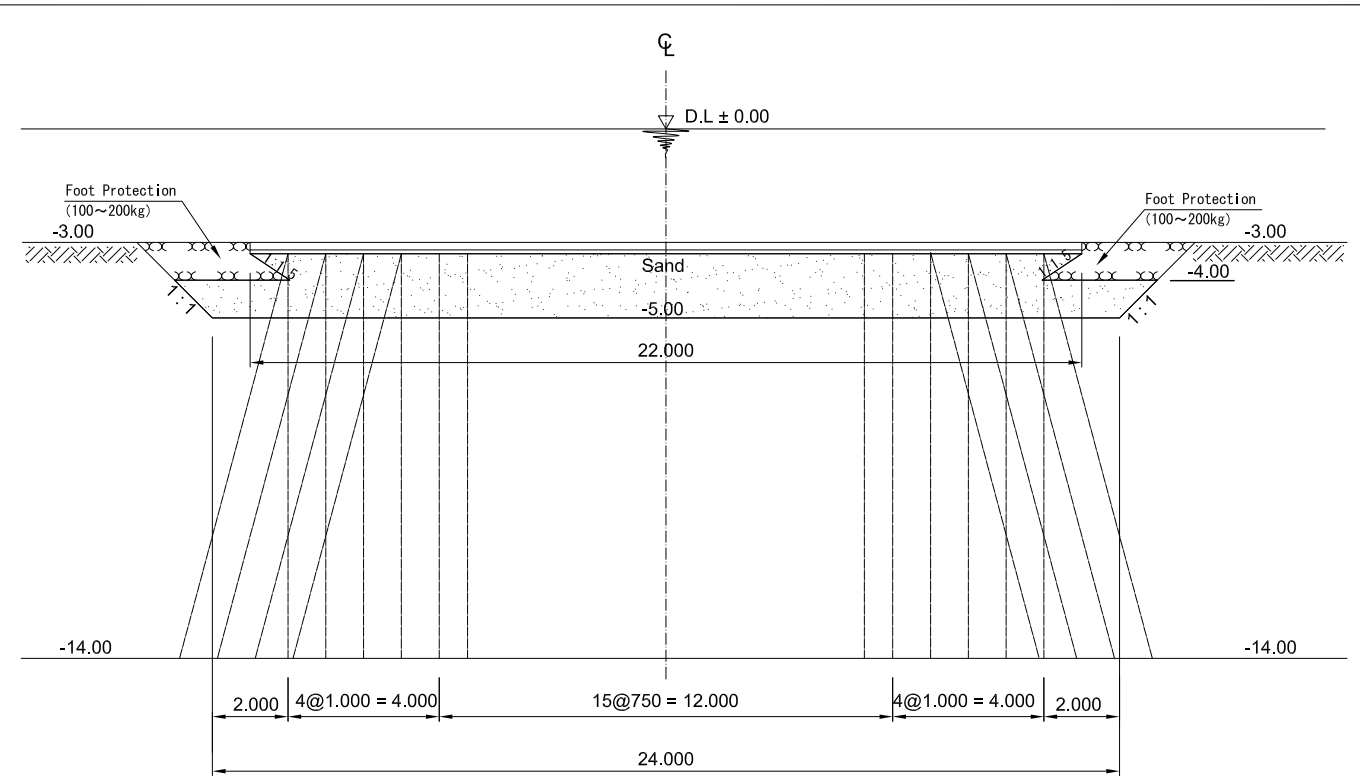
PREPARED BY: *[Signature]*
 Y. PRASETYANTO
 CHECKED BY: *[Signature]*
 M. IMAMURA
 APPROVED BY: *[Signature]*
 K. OKUBO

SECTION : CHANNEL AND BASIN IMPROVEMENT
 SUB-SECTION : Breakwater
 TITLE : FOUNDATION OF NEW DAM BARAT

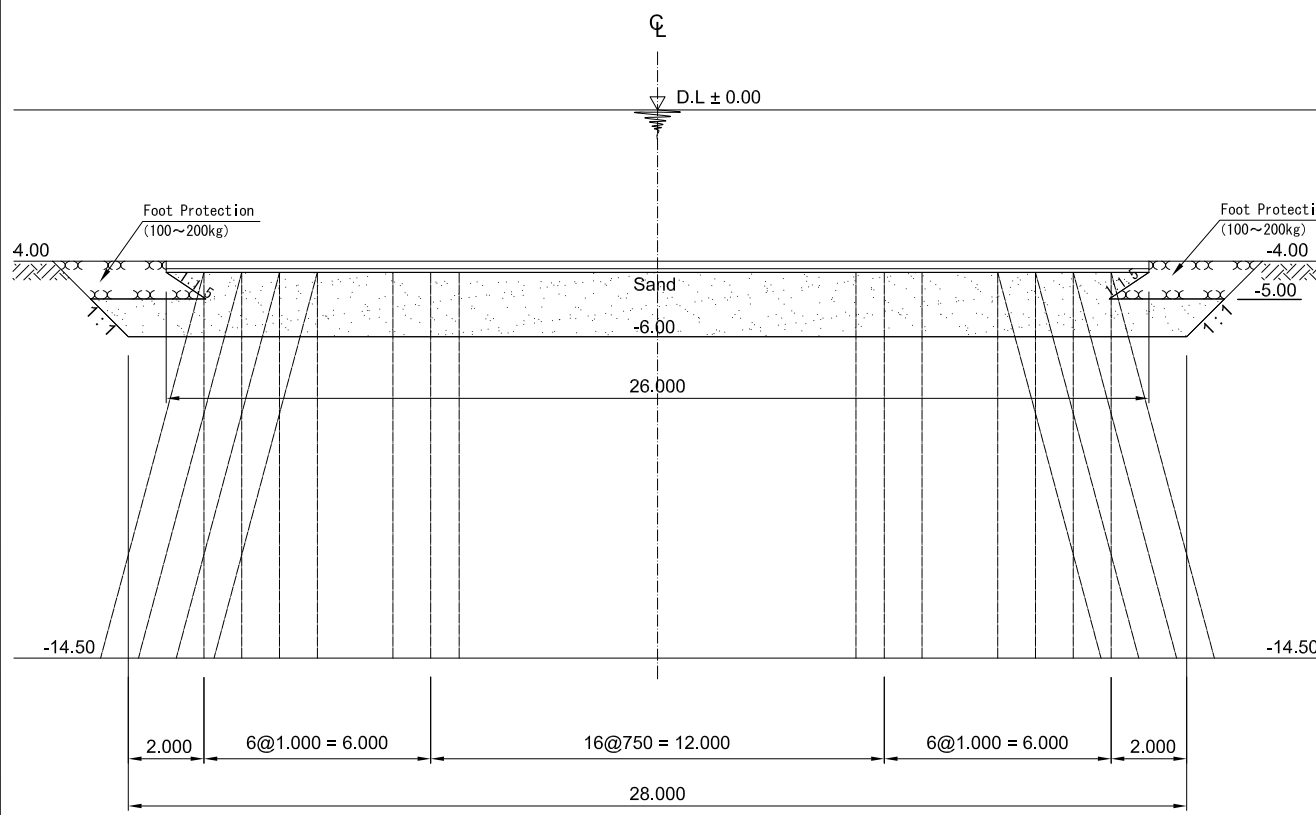
DATE : MARCH 2006
 SCALE : 1 : 400
 DRAWING NO. : P-B-009



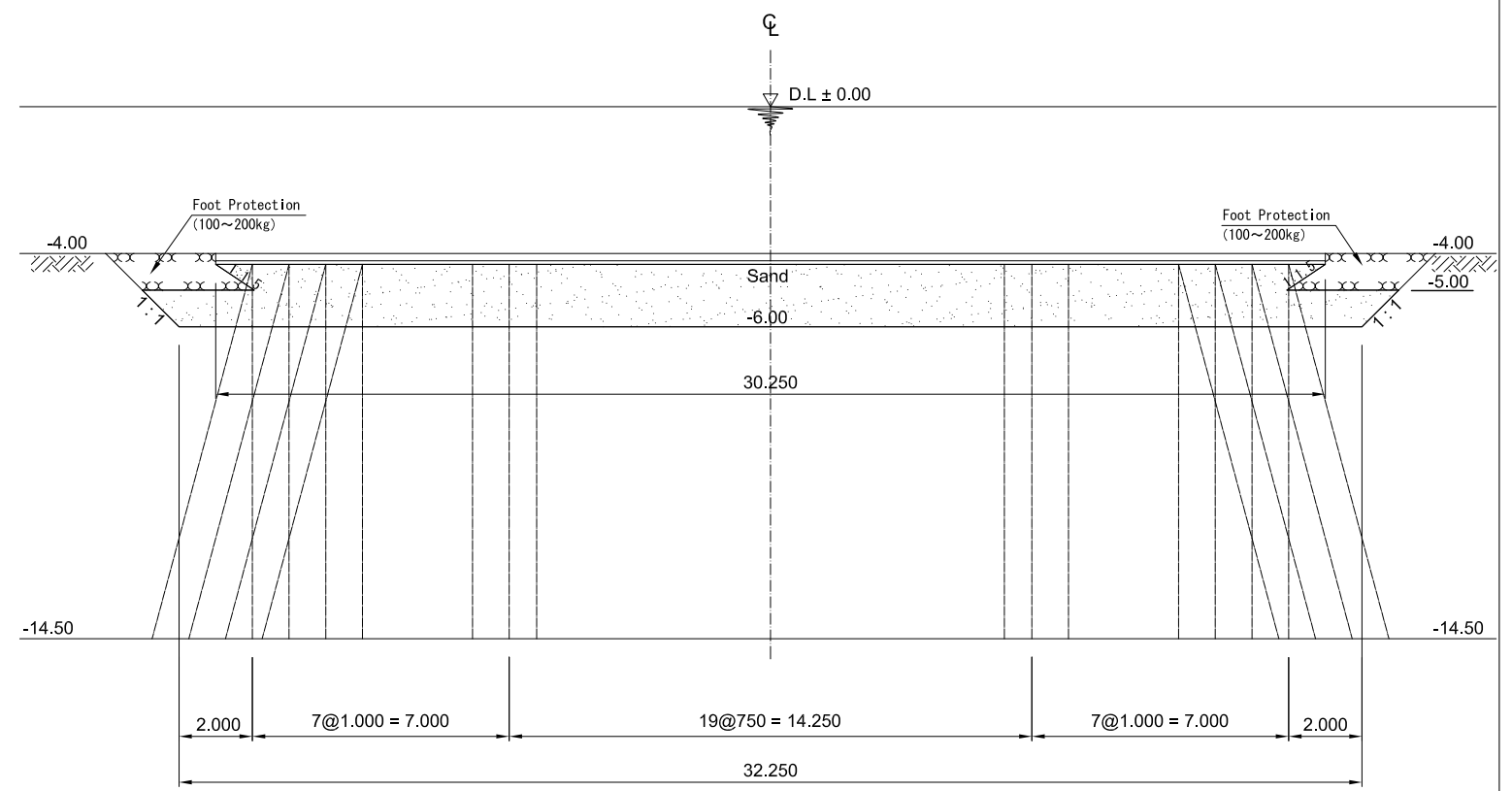
Section A - A



Section B - B



Section C - C



Section D - D

Arrangement of Bamboo Mattress and Piles of New Dam Barat

Note : Refer to Drawing NO. P-B-009

REV. NO.	DATE	COORDINATE	BY	APPROVED	DATE

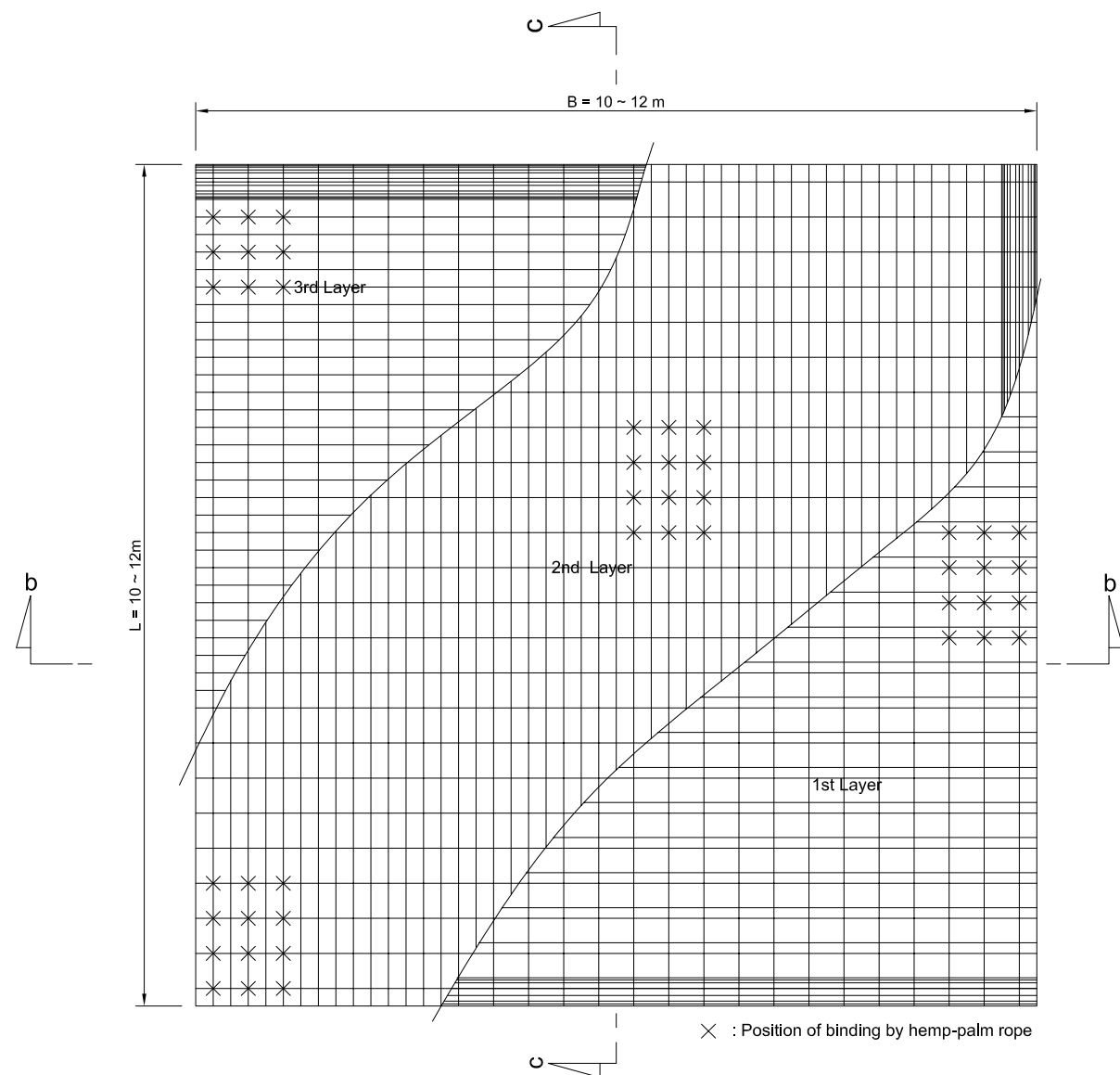
JICA
 JAPAN INTERNATIONAL COOPERATION AGENCY (JICA)
 DIRECTORATE GENERAL OF SEA COMMUNICATION (DGSC)

THE DETAILED DESIGN
 ON THE URGENT REHABILITATION PROJECT
 OF THE TANJUNG PRIOK PORT
 IN THE REPUBLIC OF INDONESIA
NIPPON KOEI CO., LTD.
 JAPAN PORT CONSULTANTS, LTD.

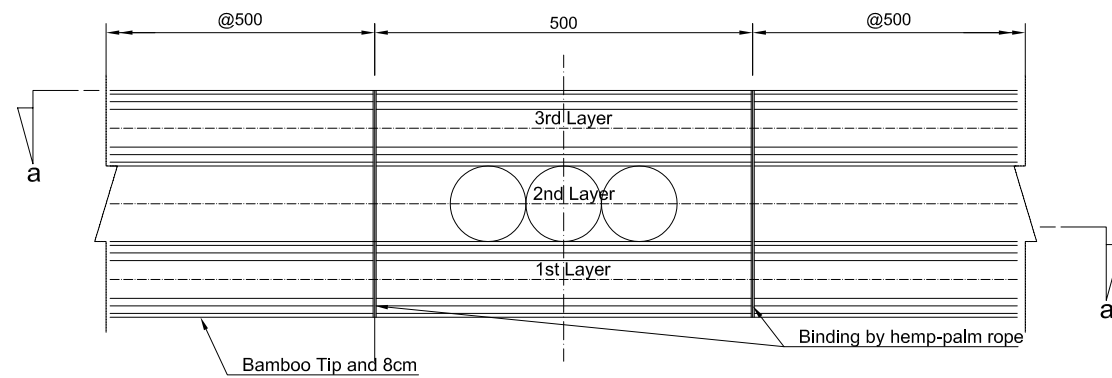
PREPARED BY : *[Signature]*
 Y. PRAESTYANTO
 CHECKED BY : *[Signature]*
 M. IMAMURA
 APPROVED BY : *[Signature]*
 K. OKUBO

SECTION : CHANNEL AND BASIN IMPROVEMENT
 SUB-SECTION : BREAKWATER
 TITLE : ARRANGEMENT OF BAMBOO MATTRESS AND PILES , NEW DAM BARAT

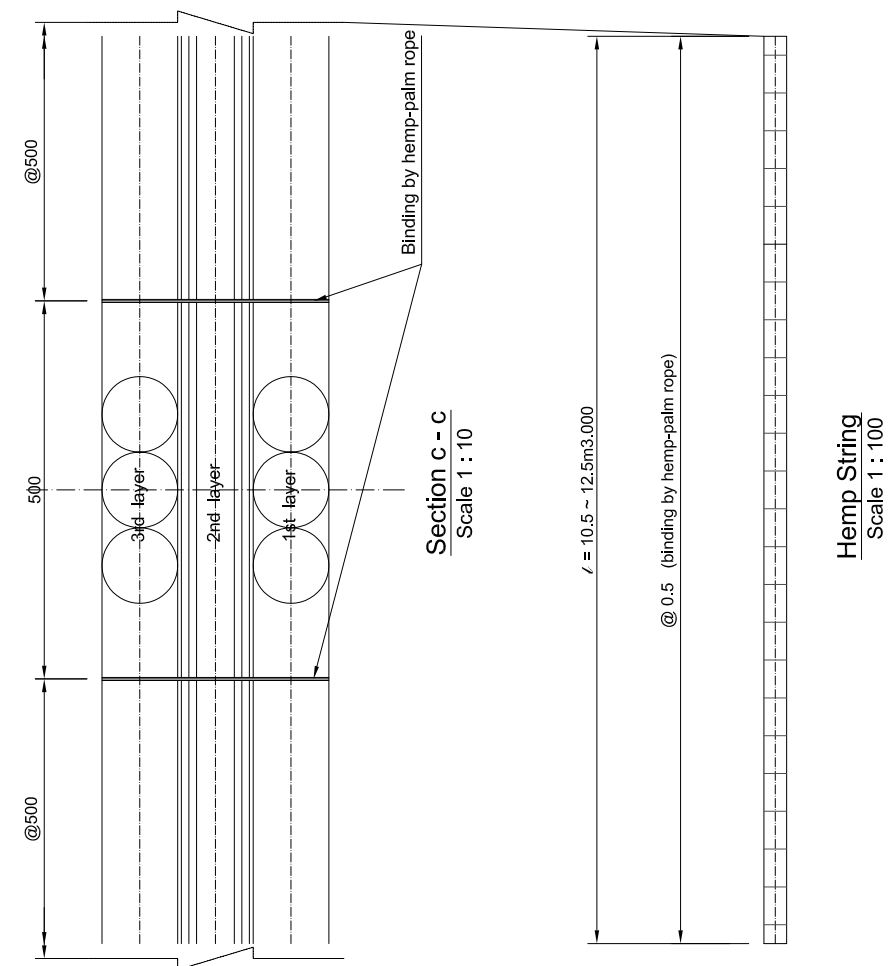
DATE : MARCH 2006
 SCALE : 1 : 200
 DRAWING NO. : P-B-010



Typical of Section a - a
Scale 1 : 100

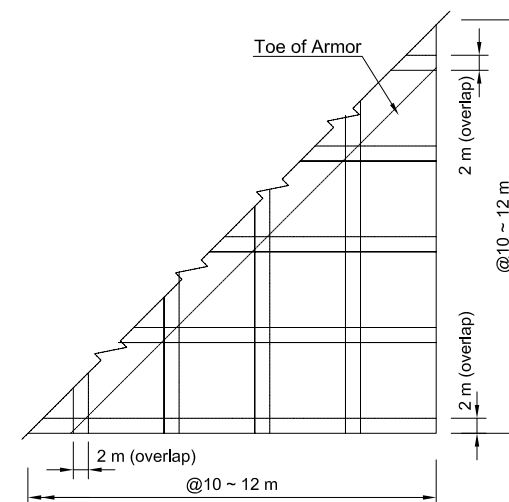


Section b - b
Scale 1 : 10
Bamboo Mattress

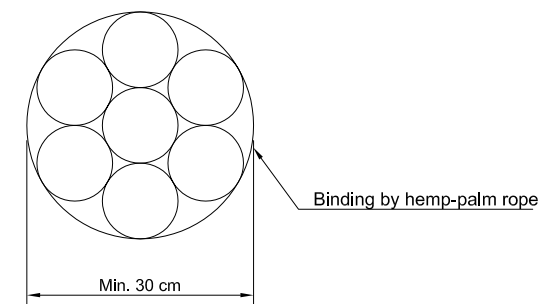


Section c - c
Scale 1 : 10

Hemp String
Scale 1 : 100



Typical Arrangement
Scale 1 : 100



Section of Pile
Scale 1 : 10
Bamboo Pile

Manufacturing of Bamboo Mattress and Pile

REV. NO.	DATE	COORDINATE	BY	APPROVED	DATE

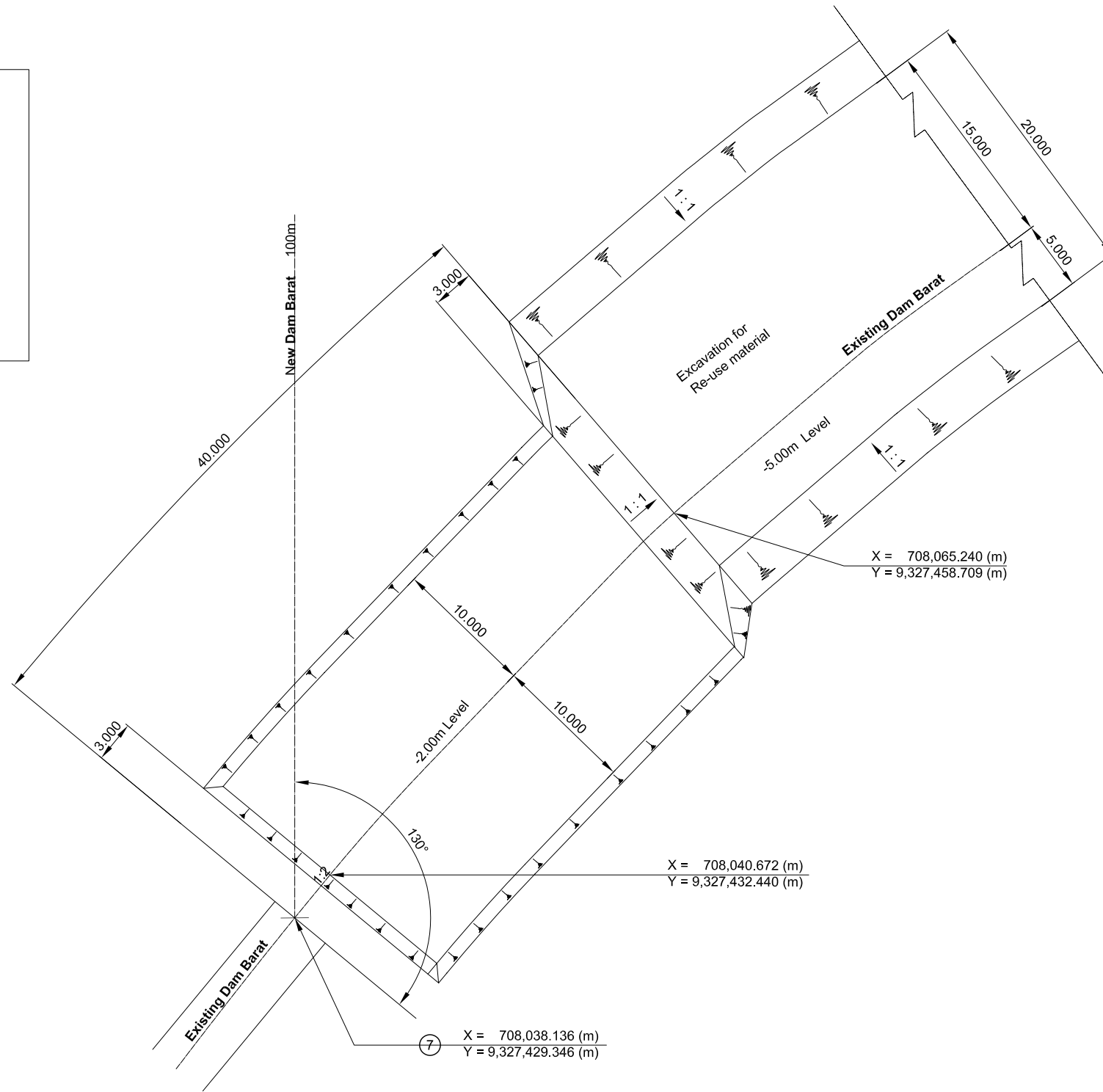
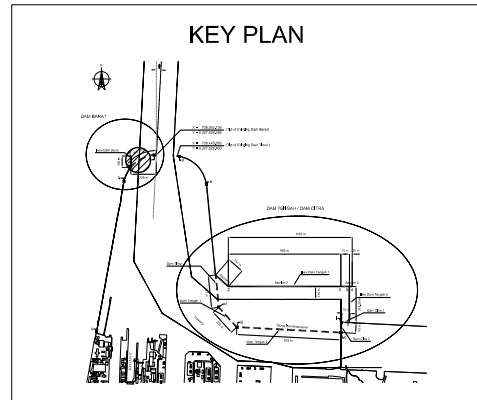
JICA
JAPAN INTERNATIONAL
COOPERATION AGENCY (JICA)
**DIRECTORATE GENERAL OF
SEA COMMUNICATION (DGSC)**

THE DETAILED DESIGN
ON THE URGENT REHABILITATION PROJECT
OF THE TANJUNG PRIOK PORT
IN THE REPUBLIC OF INDONESIA
NIPPON KOEI CO., LTD.
JAPAN PORT CONSULTANTS, LTD.

PREPARED BY : *[Signature]*
Y. PRAESTYANTO
CHECKED BY : *[Signature]*
M. IMAMURA
APPROVED BY : *[Signature]*
K. OKUBO

SECTION : CHANNEL AND BASIN IMPROVEMENT
SUB-SECTION : BREAKWATER
TITLE : MANUFACTURING OF
BAMBOO MATTRESS AND PILE
, NEW DAM BARAT

DATE : MARCH 2006
SCALE : AS SHOWN
DRAWING NO. : P-B-011



Excavation between Existing Dam Barat and New Dam Barat

Note : Refer to Drawing No.P-B-001 for the excavation location

REV. NO.	DATE	COORDINATE	BY	APPROVED	DATE

JICA
 JAPAN INTERNATIONAL COOPERATION AGENCY (JICA)
 DIRECTORATE GENERAL OF SEA COMMUNICATION (DGSC)

THE DETAILED DESIGN
 ON THE URGENT REHABILITATION PROJECT
 OF THE TANJUNG PRIK PORT
 IN THE REPUBLIC OF INDONESIA
NIPPON KOEI CO., LTD.
JAPAN PORT CONSULTANTS, LTD.

PREPARED BY : *[Signature]*
 Y. PRASETYANTO
 CHECKED BY : *[Signature]*
 M. IMAMURA
 APPROVED BY : *[Signature]*
 K. OKUBO

SECTION : CHANNEL AND BASIN IMPROVEMENT
 SUB-SECTION : BREAKWATER
 TITLE : EXCAVATION BETWEEN EXISTING DAM BARAT AND NEW DAM BARAT

DATE : MARCH 2006
 SCALE : 1 : 400
 DRAWING NO. : P-B-012