

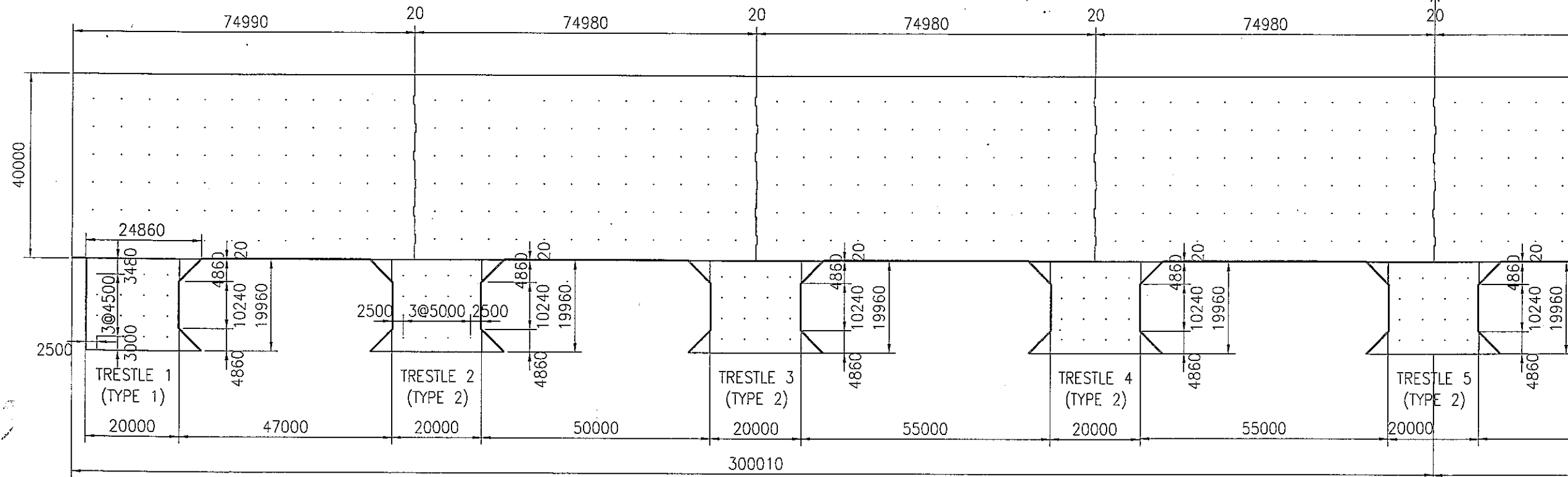
CAI MEP - THI VAI INTERNATIONAL PORT CONSTRUCTION PROJECT
PACKAGE 2 : CONSTRUCTION OF PORT FACILITIES AND BUILDINGS FOR THI VAI AREA
VOLUME IV : BID DRAWINGS - CIVIL AND UTILITY WORKS -
LIST OF THE DRAWINGS

[4] TRESTLE

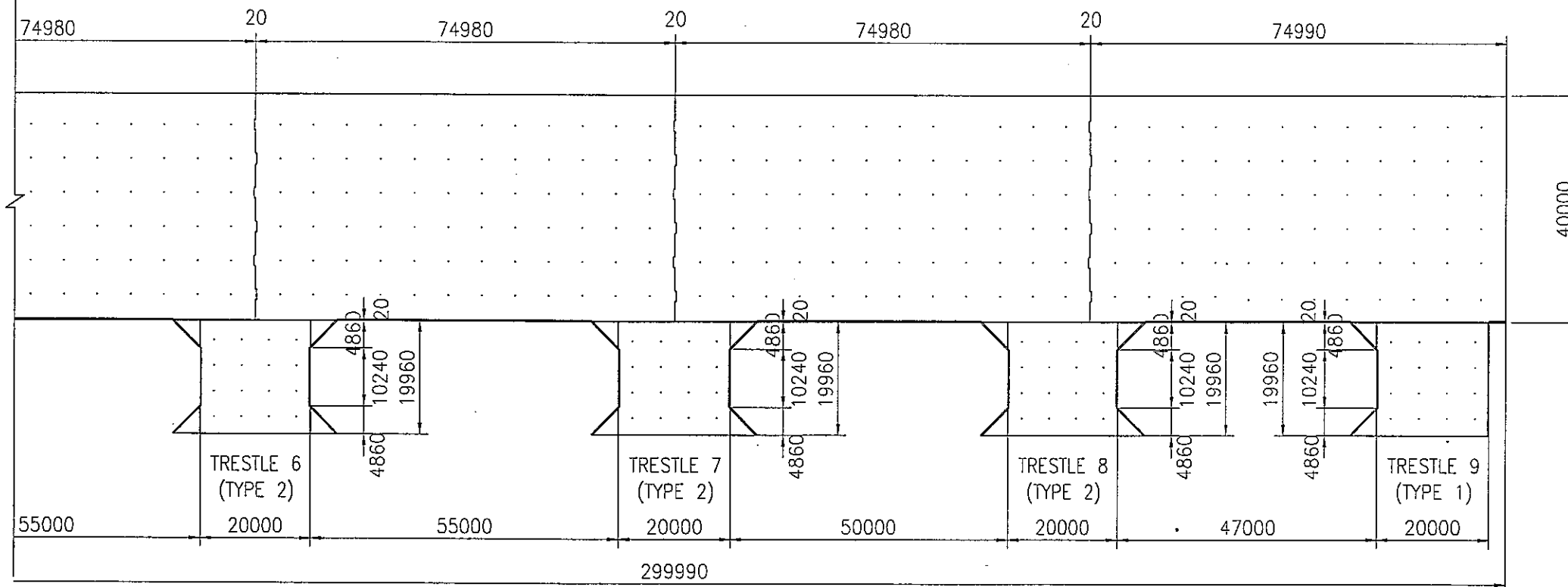
DWG NO.	TITLE OF DRAWING	DWG NO.	TITLE OF DRAWING	DWG NO.	TITLE OF DRAWING
PAC2- TV- TRS- 001	General layout				
PAC2- TV- TRS- 002	Typical cross section				
PAC2- TV- TRS- 003	Beam layout of trestle 1				
PAC2- TV- TRS- 004	Cross sections of trestle 1				
PAC2- TV- TRS- 005	Beam layout of trestle 2				
PAC2- TV- TRS- 006	Cross sections of trestle 2				
PAC2- TV- TRS- 007	Typical cross section of P.C I girder				
PAC2- TV- TRS- 008	Cable arrangement of P.C I girder				
PAC2- TV- TRS- 009	Reinforcement of P.C I beam				
PAC2- TV- TRS- 010	Slab reinforcement of trestle 1 (1)				
PAC2- TV- TRS- 011	Slab reinforcement of trestle 1 (2)				
PAC2- TV- TRS- 012	Slab reinforcement of trestle 2 (1)				
PAC2- TV- TRS- 013	Slab reinforcement of trestle 2 (2)				
PAC2- TV- TRS- 014	Structure of corner beam 1 – Trestle 1				
PAC2- TV- TRS- 015	Structure of corner beam 2 – Trestle 1				
PAC2- TV- TRS- 016	Structure of sea side abutment – Trestle 1 (1)				
PAC2- TV- TRS- 017	Structure of sea side abutment – Trestle 1 (2)				
PAC2- TV- TRS- 018	Structure of sea side abutment – Trestle 1 (3)				
PAC2- TV- TRS- 019	Structure of sea side abutment – Trestle 1 (4)				
PAC2- TV- TRS- 020	Structure of land side abutment – Trestle 1 (1)				
PAC2- TV- TRS- 021	Structure of land side abutment – Trestle 1 (2)				
PAC2- TV- TRS- 022	Structure of land side abutment – Trestle 1 (3)				
PAC2- TV- TRS- 023	Structure of bracing beam - Trestle 1				
PAC2- TV- TRS- 024	Structure of corner beam 1 – Trestle 2				
PAC2- TV- TRS- 025	Structure of corner beam 1 – Trestle 2				
PAC2- TV- TRS- 026	Structure of sea side abutment – Trestle 2 (1)				
PAC2- TV- TRS- 027	Structure of sea side abutment – Trestle 2 (2)				
PAC2- TV- TRS- 028	Structure of sea side abutment – Trestle 2 (3)				
PAC2- TV- TRS- 029	Structure of land side abutment – Trestle 2 (1)				
PAC2- TV- TRS- 030	Structure of land side abutment – Trestle 2 (2)				
PAC2- TV- TRS- 031	Structure of bracing beam - Trestle 2				
PAC2- TV- TRS- 032	Pile layout of trestle 1				
PAC2- TV- TRS- 033	Pile layout of trestle 2				
PAC2- TV- TRS- 034	Structure of steel pile				
PAC2- TV- TRS- 035	Structure of steel pile top (1)				
PAC2- TV- TRS- 036	Structure of steel pile top (2)				
PAC2- TV- TRS- 037	Detail of F.R.P cover (for steel pile)				
PAC2- TV- TRS- 038	Detail of anode protection				
PAC2- TV- TRS- 039	Structure of P.C pile				
PAC2- TV- TRS- 040	Structure of P.C pile top (1)				
PAC2- TV- TRS- 041	Structure of P.C pile top (2)				
PAC2- TV- TRS- 042	Detail of F.R.P cover (for P.C pile)				

OVERALL LAYOUT OF THI VAI AREA

LEFT

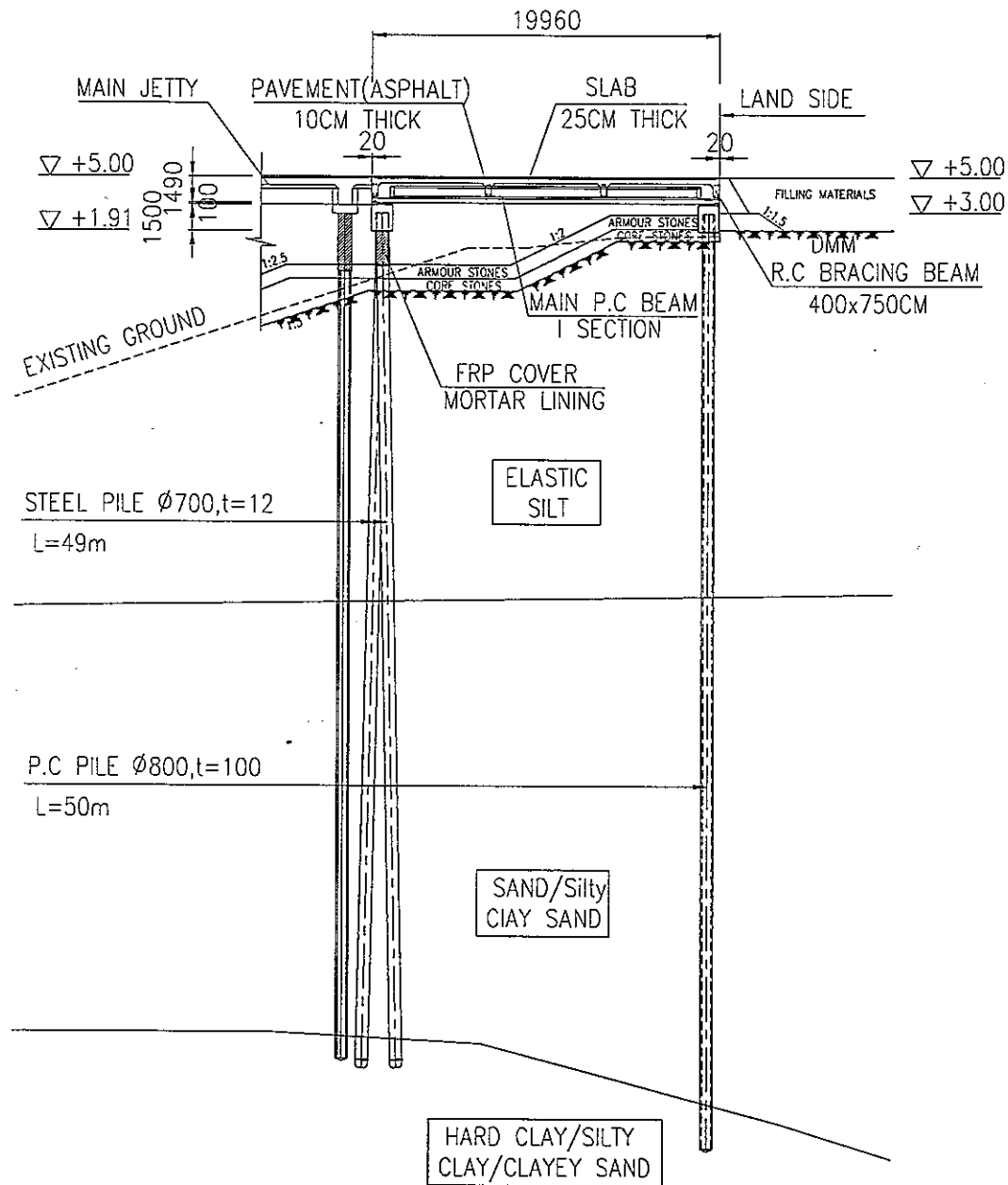


RIGHT

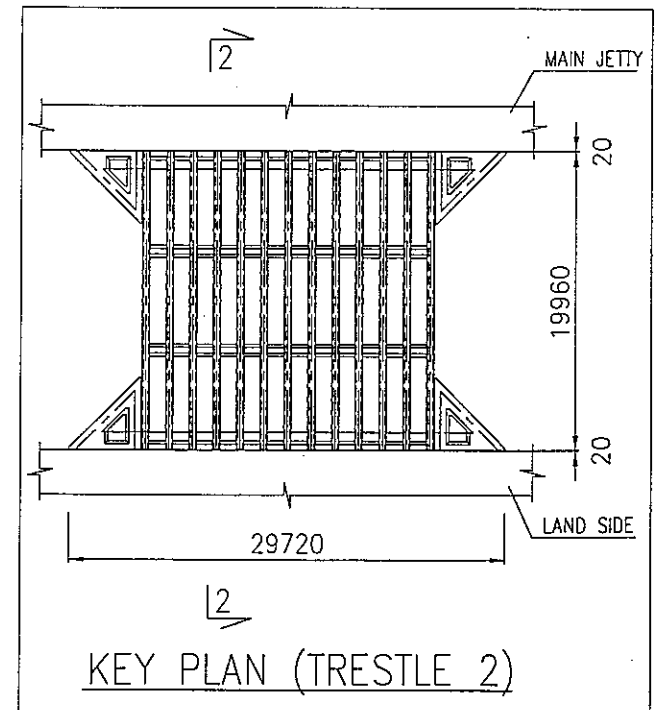
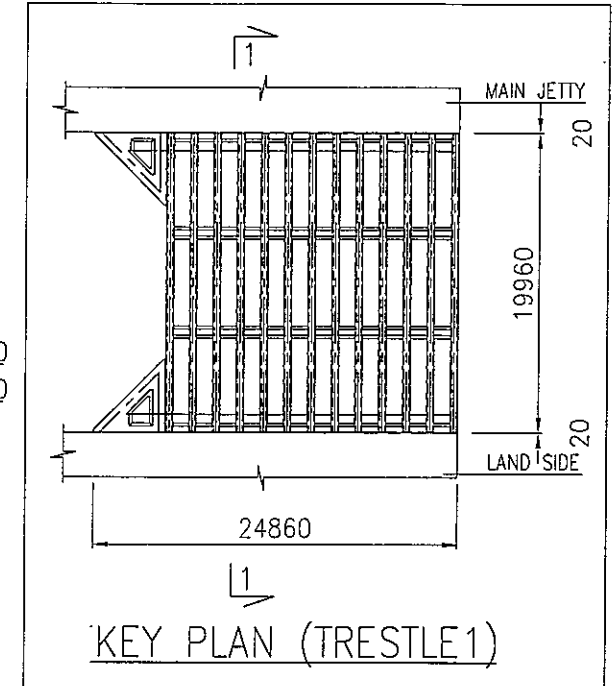
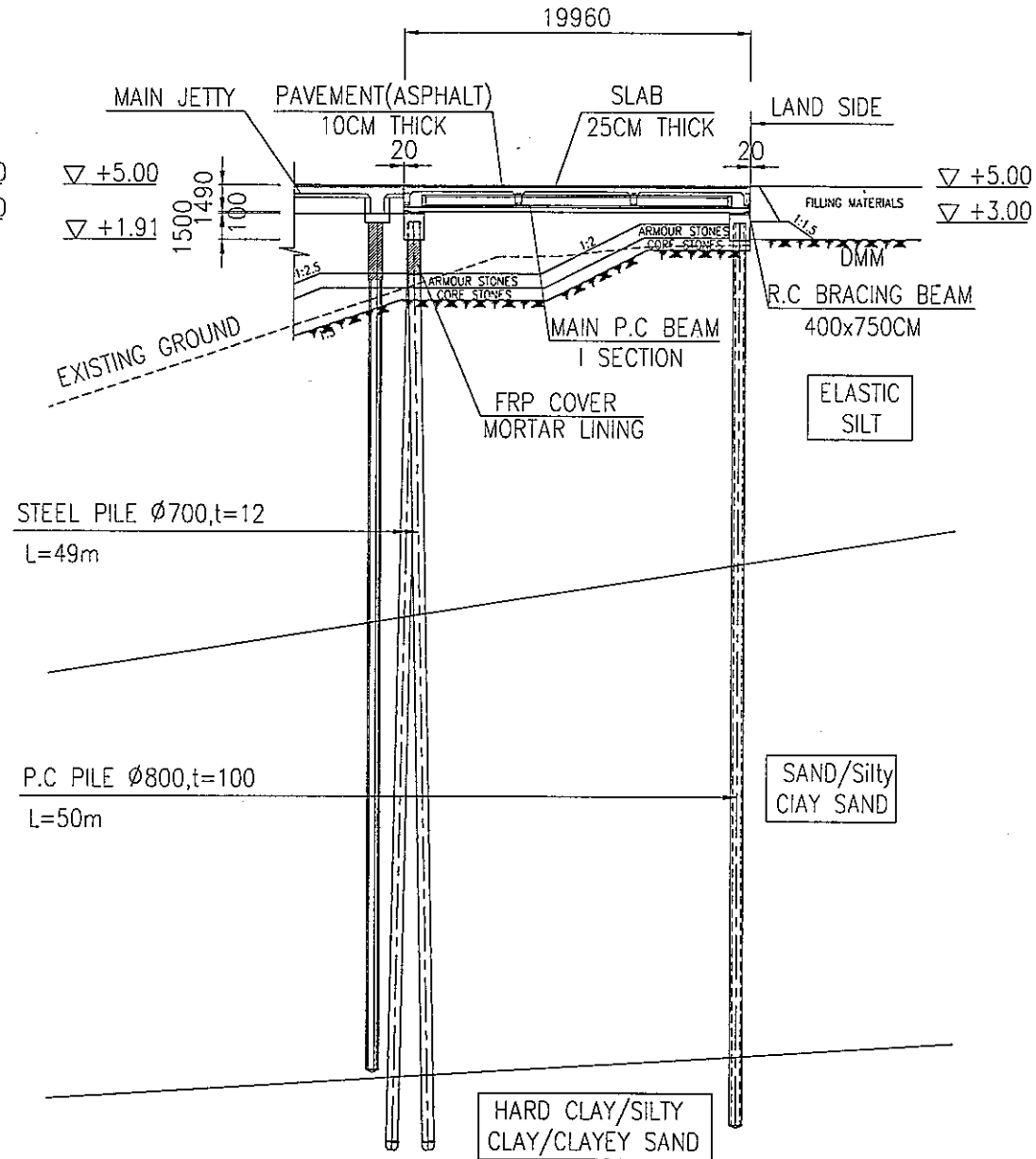


				<p>THE SOCIALIST REPUBLIC OF VIETNAM MINISTRY OF TRANSPORT PROJECT MANAGEMENT UNIT 85</p>		<p>CAI MEP - THI VAI INTERNATIONAL PORT CONSTRUCTION PROJECT</p>		<p>DESIGNED BY: BUI AN LOC DRAWN BY: MAI HONG THAO CHECKED BY: YOSHIDA Y. APPROVED BY: NAGAI K. ISSUE DATE: 15/SEP/2005 SCALE: 1/200</p>		<p>SECTION: CIVIL WORKS SUB-SECTION: TRESTLE TITLE OF DRAWING: GENERAL LAYOUT DWG NO: PAC2-TV-TRS-001</p>		<p>REV. NO</p>
REV NO	DATE	DESCRIPTION	BY	APP	<p>JICA JAPAN INTERNATIONAL COOPERATION AGENCY ASSIGNED TO: JAPAN PORT CONSULTANT (JPC) PACIFIC CONSULTANTS INTERNATIONAL (PCI) INTERNATIONAL DEVELOPMENT SYSTEM (IDS)</p>		<p>PACKAGE 2 CONSTRUCTION OF PORT FACILITIES AND BUILDINGS FOR THI VAI AREA</p>					

SECTION 1-1
SC=1/400



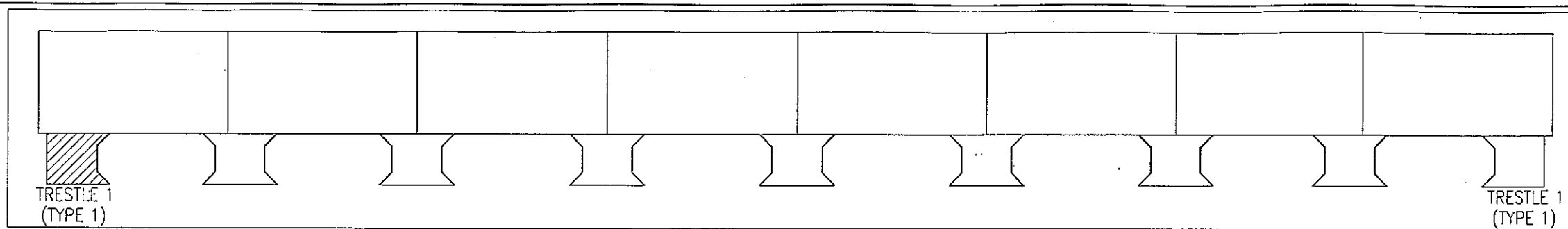
SECTION 2-2
SC=1/400



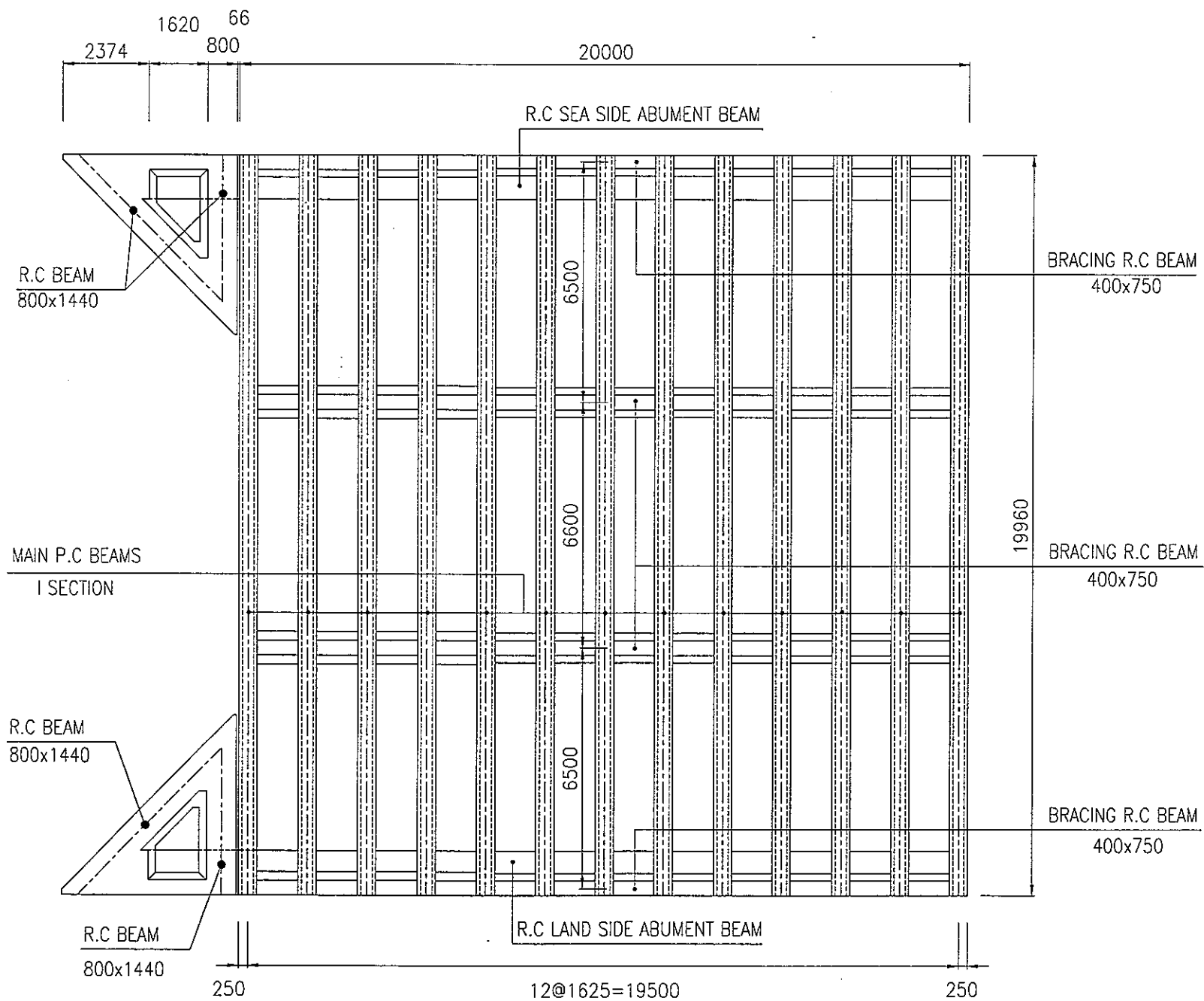
NOTES:

- DIMENSIONS ARE IN [MM].
- ELEVATIONS ARE IN [M]-CHART DATUM
- PILE LENGTH IS REFERENCE ONLY

<p>THE SOCIALIST REPUBLIC OF VIETNAM MINISTRY OF TRANSPORT PROJECT MANAGEMENT UNIT 85</p>					<p>CAI MEP - THI VAI INTERNATIONAL PORT CONSTRUCTION PROJECT</p>			<p>DESIGNED BY: BUI AN LOC DRAWN BY: MAI T HONG THAO CHECKED BY: YOSHIDA Y. APPROVED BY: NAGAI K. ISSUE DATE: 15/SEP/2005 SCALE: 1/200</p>		<p>SECTION: CIVIL WORKS SUB-SECTION: TRESTLE TITLE OF DRAWING: TYPICAL COSS SECTION DWG NO: PAC2-TV-TRS-002 REV. NO</p>	
<p>JICA JAPAN INTERNATIONAL COOPERATION AGENCY ASSIGNED TO: JAPAN PORT CONSULTANT (JPC) PACIFIC CONSULTANTS INTERNATIONAL (PCI) INTERNATIONAL DEVELOPMENT SYSTEM (IDS)</p>					<p>PACKAGE 2 CONSTRUCTION OF PORT FACILITIES AND BUILDINGS FOR THI VAI AREA</p>						
REV NO	DATE	DESCRIPTION	BY	APP							



KEY PLAN



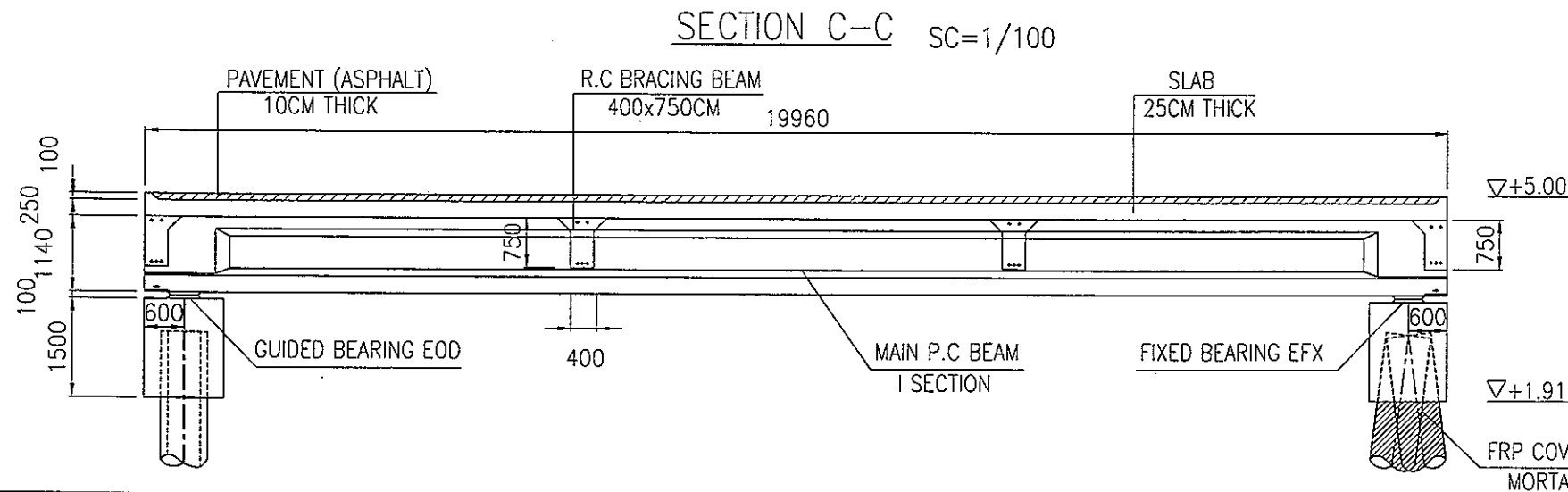
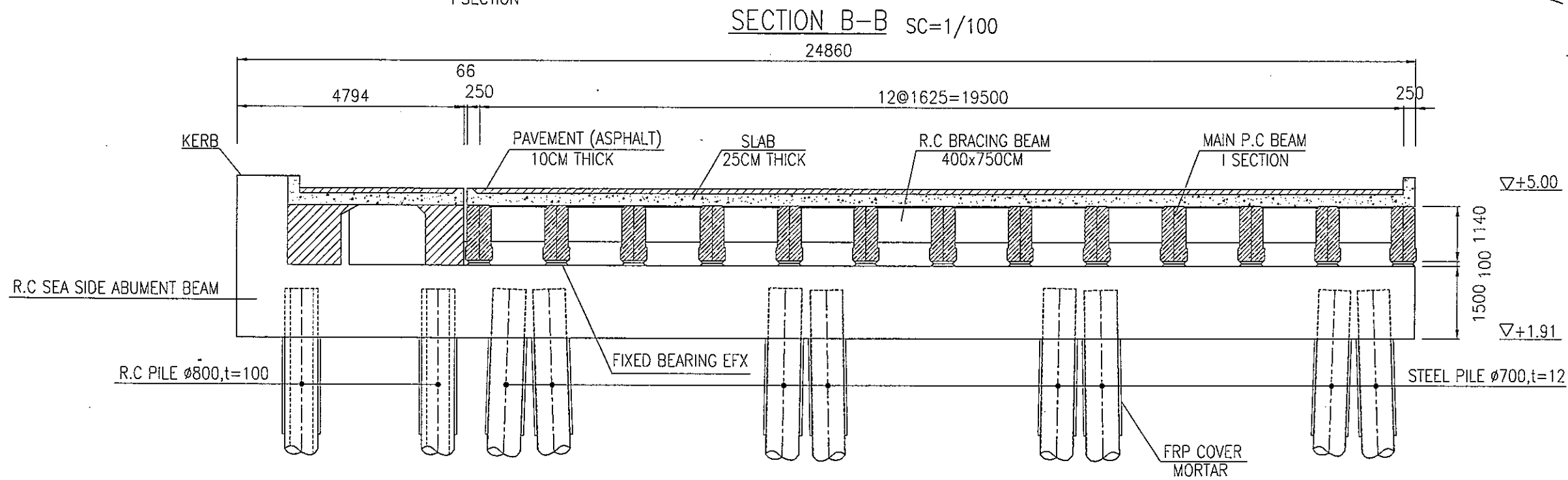
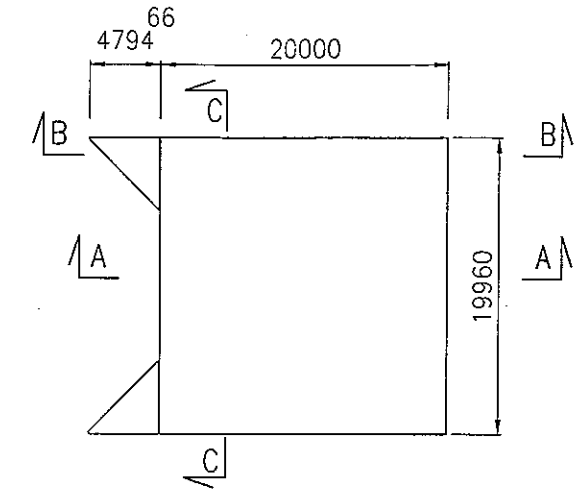
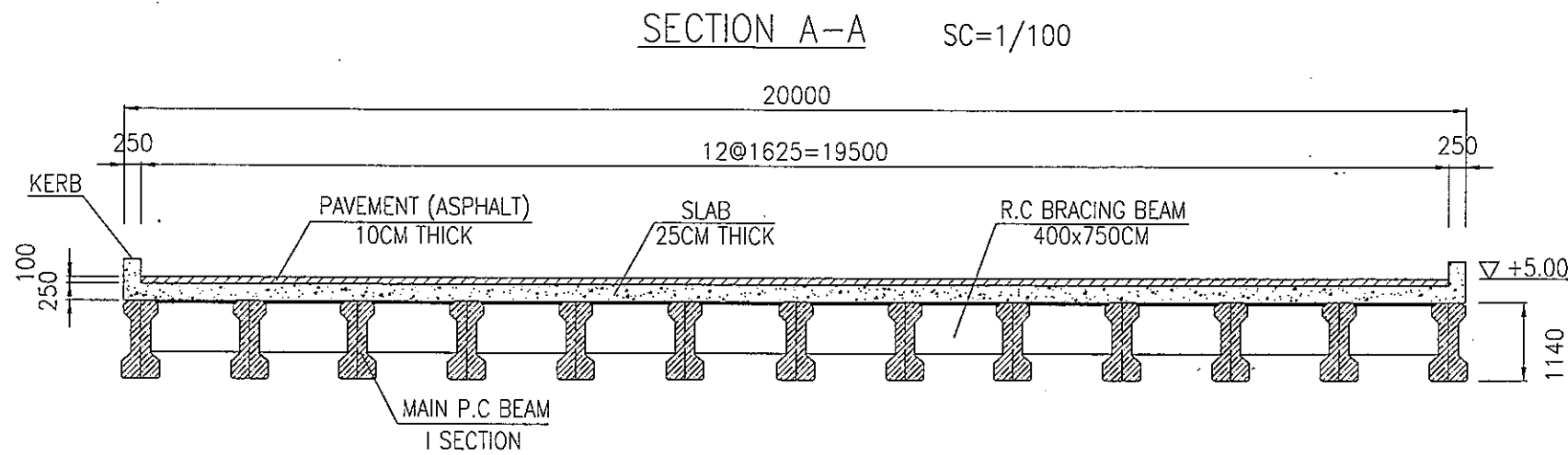
GENERAL PLAN OF TRESTLE TYPE 1

SC=1/150

NOTES:

- DIMENSIONS ARE IN [MM].
- ELEVATION ARE IN [M]- CHART DATUM.

<p>THE SOCIALIST REPUBLIC OF VIETNAM MINISTRY OF TRANSPORT PROJECT MANAGEMENT UNIT 95</p>					<p>CAI MEP - THI VAI INTERNATIONAL PORT CONSTRUCTION PROJECT</p>			<p>DESIGNED BY: BUI AN LOC</p>		<p>SECTION: CIVIL WORKS</p>	
<p>JICA JAPAN INTERNATIONAL COOPERATION AGENCY ASSIGNED TO: JAPAN PORT CONSULTANT (JPC) PACIFIC CONSULTANTS INTERNATIONAL (PCI) INTERNATIONAL DEVELOPMENT SYSTEM (IDS)</p>					<p>PACKAGE 2 CONSTRUCTION OF PORT FACILITIES AND BUILDINGS FOR THI VAI AREA</p>			<p>DRAWN BY: MAI T HONG THAO</p>		<p>SUB-SECTION: TRESTLE</p>	
<p>BY: [Signature]</p>					<p>APPROVED BY: NAGAI K.</p>			<p>CHECKED BY: YOSHIDA Y.</p>		<p>TITLE OF DRAWING: BEAM LAYOUT OF TRESTLE 1</p>	
<p>DATE: [Blank]</p>					<p>ISSUE DATE: 15/SEP/2005</p>			<p>SCALE: 1/150</p>		<p>DWG NO.: PAC2-TV-TRS-003</p>	
REV NO	DATE	DESCRIPTION	BY	APP	<p>REV. NO</p>						

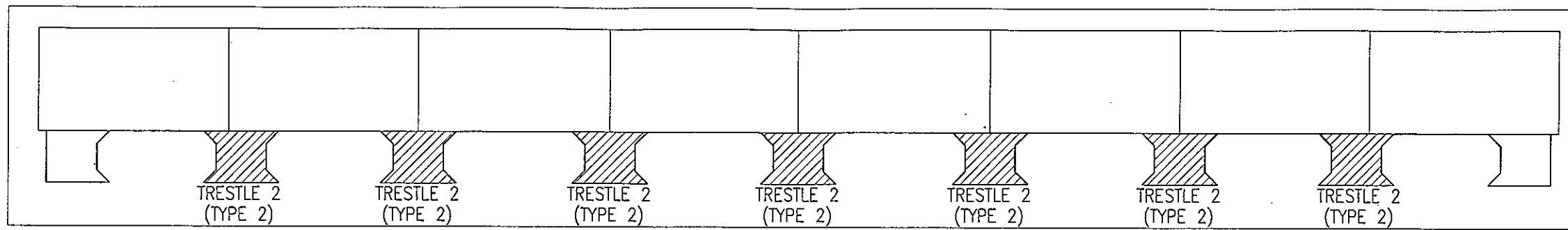


ITEM	SPECIFICATION		
	VERTICAL LOAD (TON)	HORIZONTAL LOAD (TON)	MOVEMENT (TON)
FIXED BEARING EFX	125	13	0
GUIDED BEARING EOD	125	13	±50

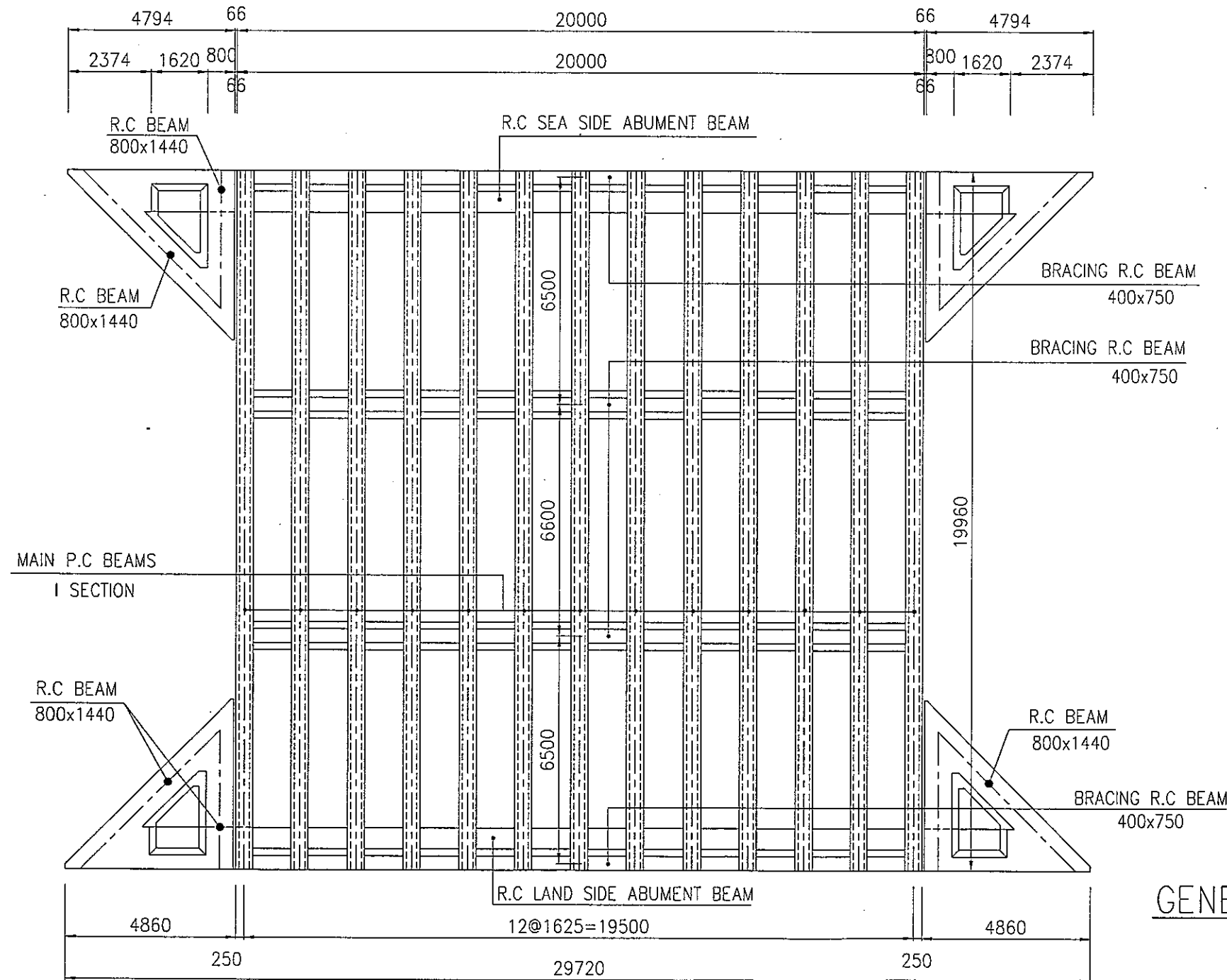
NOTES:

- DIMENSIONS ARE IN [MM].
- ELEVATION ARE IN [M]- CHART DATUM.

<p>THE SOCIALIST REPUBLIC OF VIETNAM MINISTRY OF TRANSPORT PROJECT MANAGEMENT UNIT 55</p>				<p>CAI MEP - THI VAI INTERNATIONAL PORT CONSTRUCTION PROJECT</p>		<p>DESIGNED BY: BUI AN LOC</p>		<p>SECTION: CIVIL WORKS</p>	
<p>JICA JAPAN INTERNATIONAL COOPERATION AGENCY ASSIGNED TO: JAPAN PORT CONSULTANT (JPC) PACIFIC CONSULTANTS INTERNATIONAL (PCI) INTERNATIONAL DEVELOPMENT SYSTEM (IDS)</p>				<p>PACKAGE 2 CONSTRUCTION OF PORT FACILITIES AND BUILDINGS FOR THI VAI AREA</p>		<p>DRAWN BY: MAI T HONG THAO</p>		<p>SUB-SECTION: TRESTLE</p>	
<p>REV NO DATE DESCRIPTION BY APP</p>				<p>APPROVED BY: YOSHIDA Y. NAGAI K.</p>		<p>CHECKED BY: YOSHIDA Y.</p>		<p>TITLE OF DRAWING: CROSS SECTIONS OF TRESTLE 1</p>	
				<p>SCALE: 1/100</p>		<p>ISSUE DATE: 15/SEP/2005</p>		<p>DWG NO: PAC2-TV-TR5-004</p>	
								<p>REV. NO</p>	



KEY PLAN

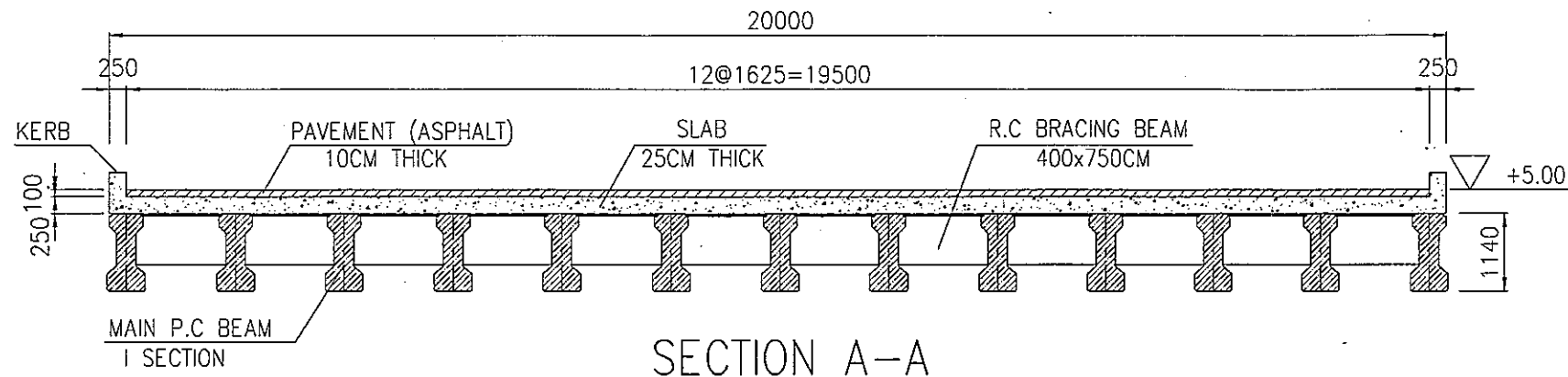


NOTES:
 - DIMENSIONS ARE IN [MM].
 - ELEVATIONS ARE IN [M]-CHART DATUM

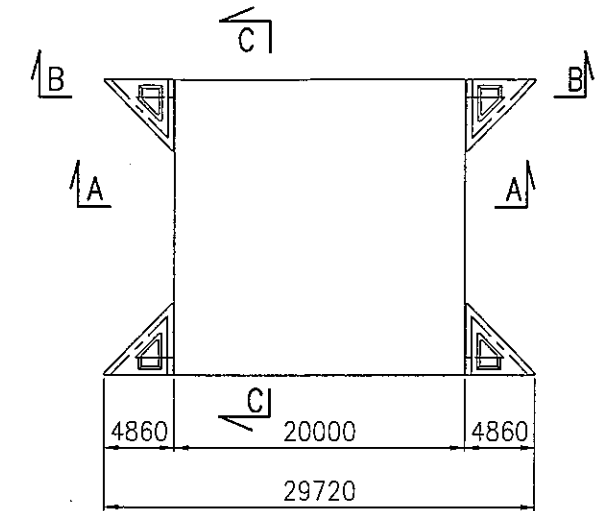
GENERAL PLAN OF TRESTLE TYPE 2

SC=1/150

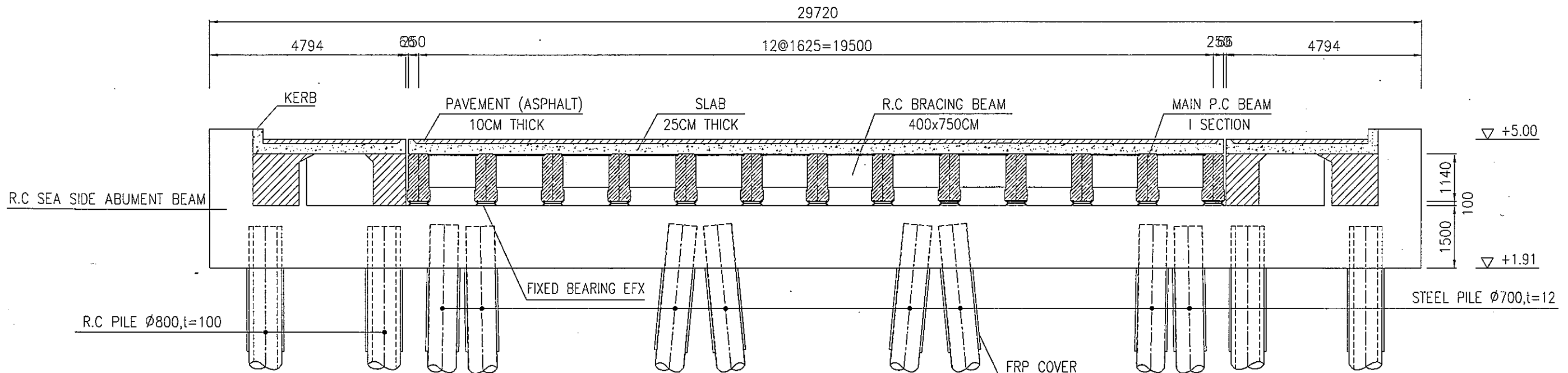
				THE SOCIALIST REPUBLIC OF VIETNAM MINISTRY OF TRANSPORT PROJECT MANAGEMENT UNIT 85		CAI MEP - THI VAI INTERNATIONAL PORT CONSTRUCTION PROJECT		DESIGNED BY: BUI AN LOC DRAWN BY: MAI T HONG THAO CHECKED BY: YOSHIDA Y. APPROVED BY: NAGAI K. ISSUE DATE: 15/SEP/2005 SCALE: 1/150		SECTION: CIVIL WORKS SUB-SECTION: TRESTLE TITLE OF DRAWING: BEAM LAYOUT OF TRESTLE 2 DWG NO: PAC2-TV-TRS-005	
				JAPAN INTERNATIONAL COOPERATION AGENCY ASSIGNED TO: JAPAN PORT CONSULTANT (JPC) PACIFIC CONSULTANTS INTERNATIONAL (PCI) INTERNATIONAL DEVELOPMENT SYSTEM (IDS)		PACKAGE 2 CONSTRUCTION OF PORT FACILITIES AND BUILDINGS FOR THI VAI AREA					
REV NO	DATE	DESCRIPTION	BY	APP							REV. NO



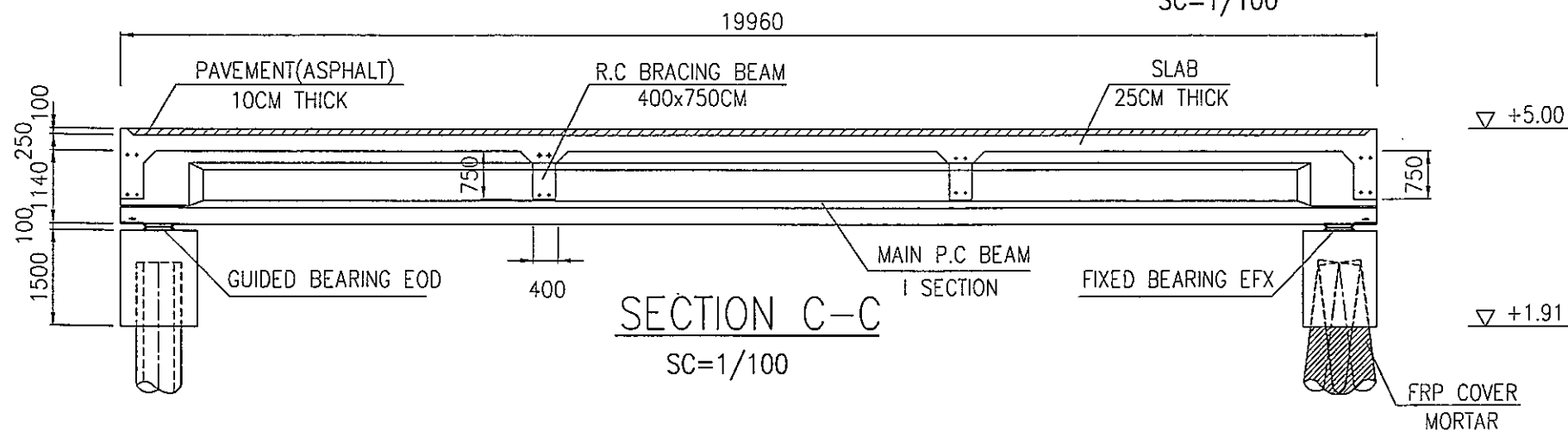
SECTION A-A
SC=1/100



KEY PLAN



SECTION B-B
SC=1/100



SECTION C-C
SC=1/100

ITEM	SPECIFICATION		
	VERTICAL LOAD (TON)	HORIZONTAL LOAD (TON)	MOVEMENT (TON)
FIXED BEARING EFX	125	13	0
GUIDED BEARING EOD	125	13	±50

NOTES:

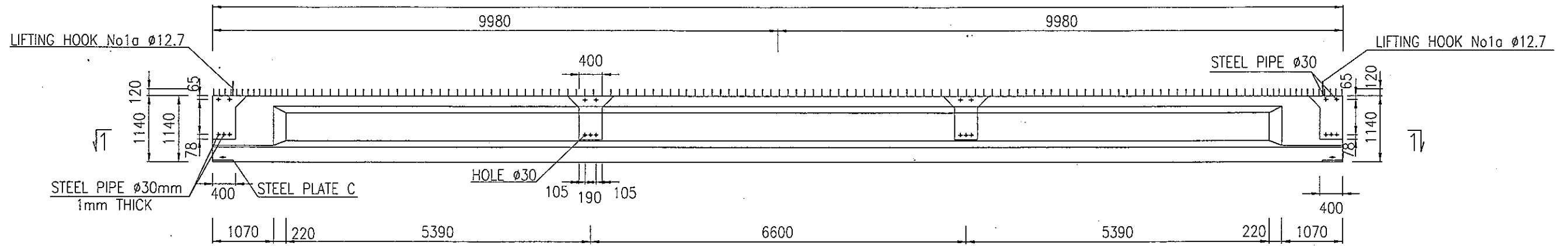
- DIMENSIONS ARE IN [MM].
- ELEVATIONS ARE IN [M]-CHART DATUM

REV NO		DATE	DESCRIPTION	BY	APP	THE SOCIALIST REPUBLIC OF VIETNAM MINISTRY OF TRANSPORT PROJECT MANAGEMENT UNIT 85		CAI MEP - THI VAI INTERNATIONAL PORT CONSTRUCTION PROJECT		DESIGNED BY: BUI AN LOC DRAWN BY: MAI T HONG THAO CHECKED BY: YOSHIDA Y. APPROVED BY: NAGAI K. ISSUE DATE: 15/SEP/2005 SCALE: 1/100		SECTION: CIVIL WORKS SUB-SECTION: TRESTLE TITLE OF DRAWING: BEAM LAYOUT OF TRESTLE 2 DWG NO: PAC2-TV-TRS-006		REV. NO
JICA JAPAN INTERNATIONAL COOPERATION AGENCY ASSIGNED TO: JAPAN PORT CONSULTANT (JPC) PACIFIC CONSULTANTS INTERNATIONAL (PCI) INTERNATIONAL DEVELOPMENT SYSTEM (IDS)						PACKAGE 2 CONSTRUCTION OF PORT FACILITIES AND BUILDINGS FOR THI VAI AREA								

1/2 SIDE VIEW OF BEAM

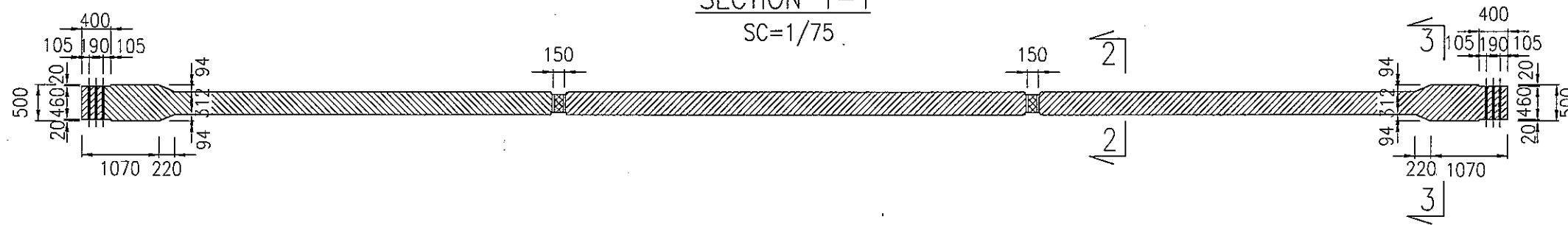
SC=1/75

19960



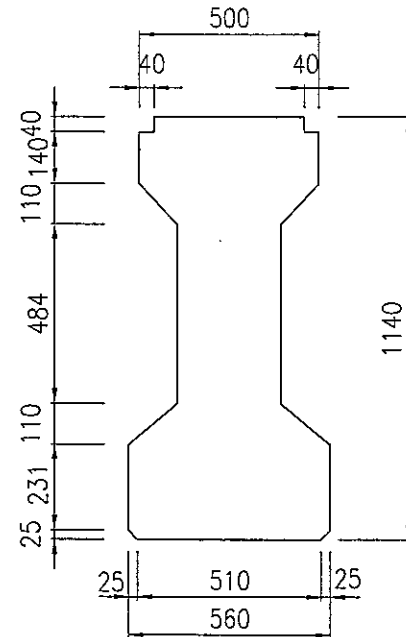
SECTION 1-1

SC=1/75



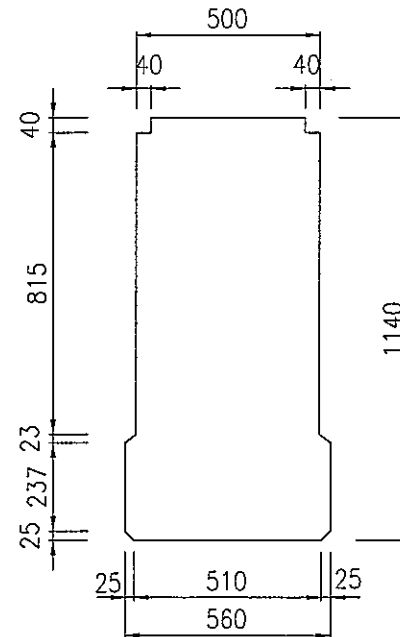
SECTION 2-2

SC=1/20



SECTION 3-3

SC=1/20



NOTES:

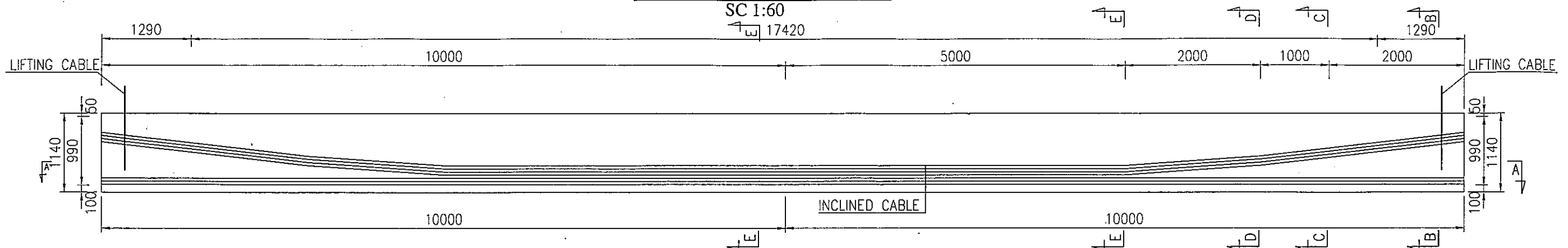
- DIMENSIONS ARE IN [MM].

		THE SOCIALIST REPUBLIC OF VIETNAM MINISTRY OF TRANSPORT PROJECT MANAGEMENT UNIT 85		CAI MEP - THI VAI INTERNATIONAL PORT CONSTRUCTION PROJECT		DESIGNED BY: BUI AN LOC		SECTION: CIVIL WORKS	
		JAPAN INTERNATIONAL COOPERATION AGENCY ASSIGNED TO: JAPAN PORT CONSULTANT (JPC) PACIFIC CONSULTANTS INTERNATIONAL (PCI) INTERNATIONAL DEVELOPMENT SYSTEM (IDS)		PACKAGE 2 CONSTRUCTION OF PORT FACILITIES AND BUILDINGS FOR THI VAI AREA		DRAWN BY: MAI T HONG THAO		SUB-SECTION: TRESTLE	
						CHECKED BY: YOSHIDA Y.		TITLE OF DRAWING: TYPICAL CROSS SECTION OF P.C I GIRDER	
						APPROVED BY: NAGAI K.		DWG NO: PAC2-TV-TRS-007	
REV NO	DATE	DESCRIPTION	BY	APP			ISSUE DATE: 15/SEP/2005 SCALE: 1/75, 1/20		REV. NO

SIDE VIEW OF GIRDER

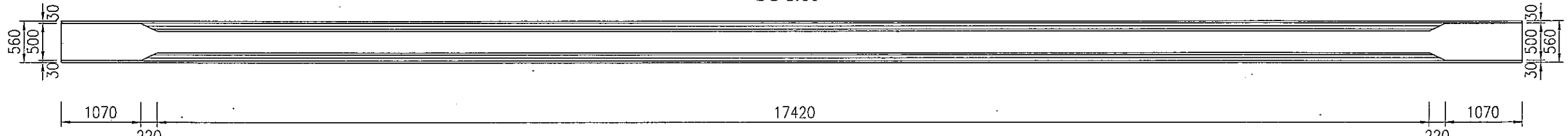
SC 1:60

17420



SECTION A - A

SC 1:60



SECTION B - B

TL 1:10

SECTION C - C

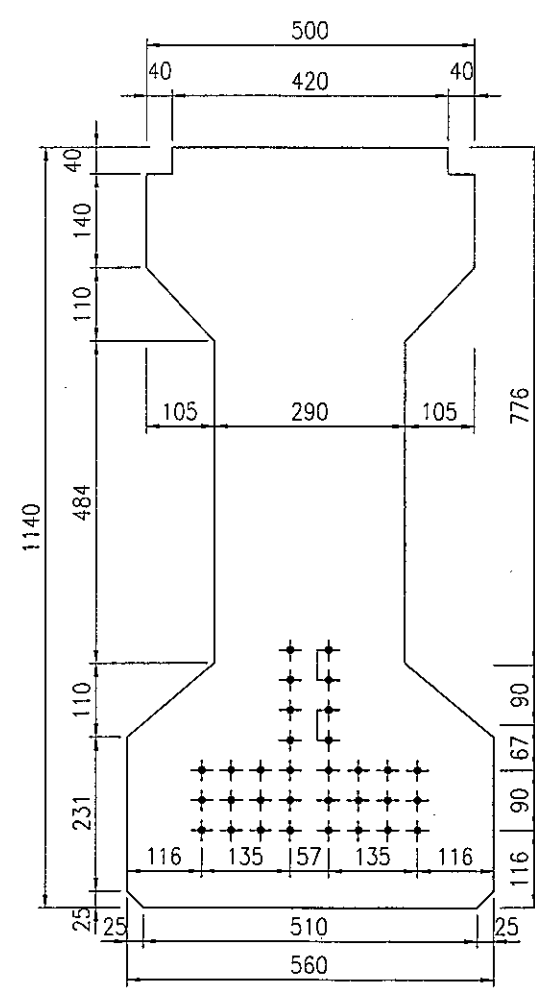
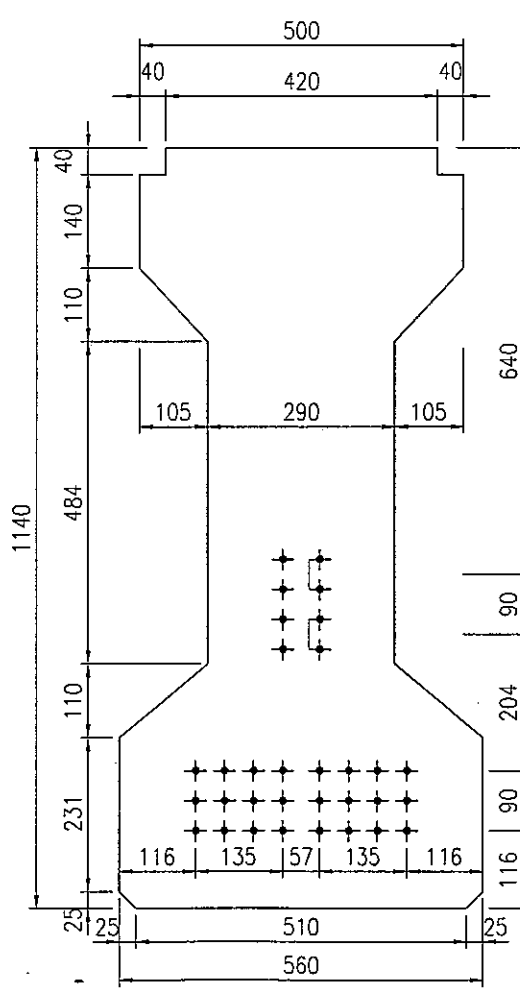
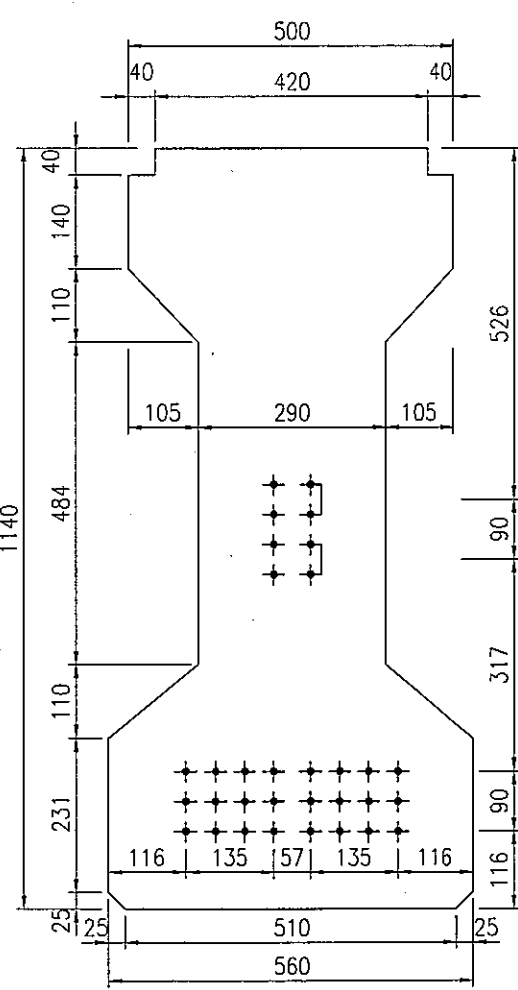
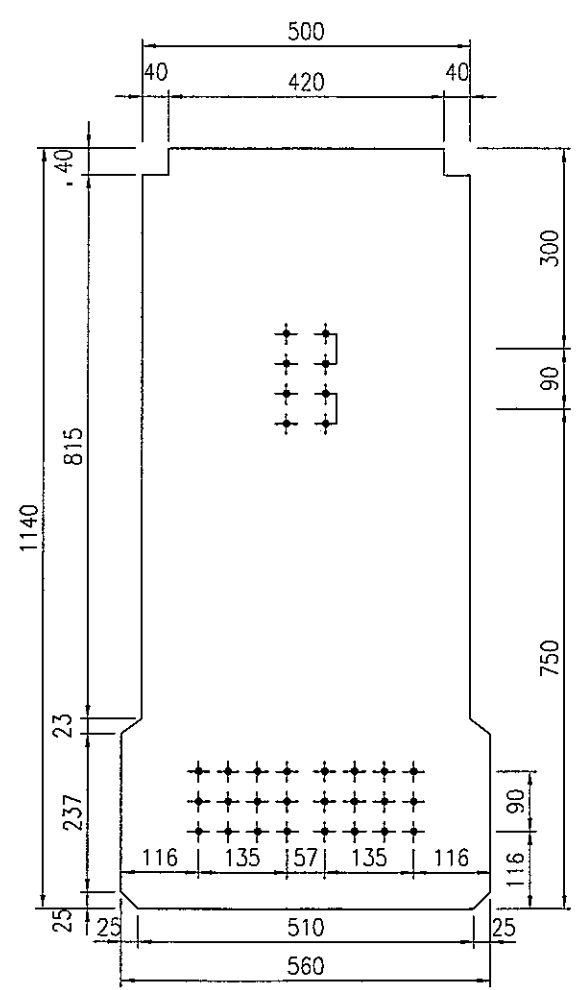
TL 1:10

SECTION D - D

TL 1:10

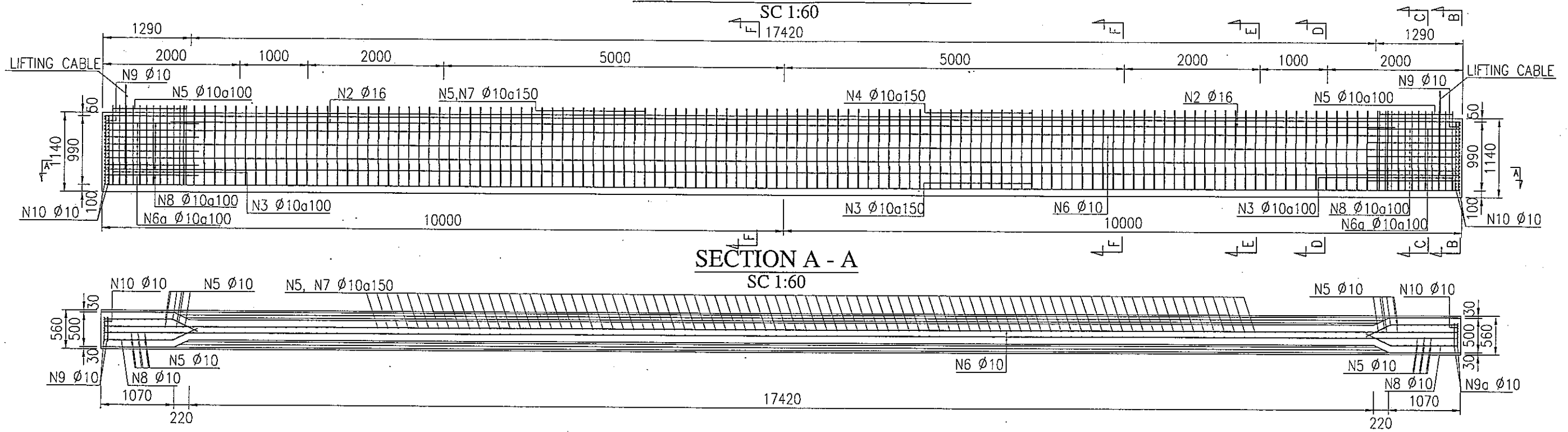
SECTION E - E

TL 1:10

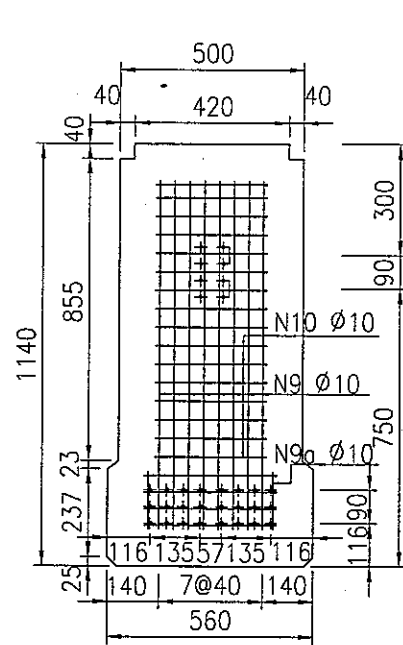


		THE SOCIALIST REPUBLIC OF VIETNAM MINISTRY OF TRANSPORT PROJECT MANAGEMENT UNIT 85		CAI MEP - THI VAI INTERNATIONAL PORT CONSTRUCTION PROJECT PACKAGE 2 CONSTRUCTION OF PORT FACILITIES AND BUILDINGS FOR THI VAI AREA		DESIGNED BY: BIU AN LOC DRAWN BY: NG. DUY QUANG CHECKED BY: YOSHIDA Y. APPROVED BY: NAGAI K. ISSUE DATE: 15/SEP/2005 SCALE: 1/60, 1/10		SECTION: CIVIL WORKS SUB-SECTION: TRESTLE TITLE OF DRAWING: CABLE ARRANGEMENT OF P.C I GIRDER DWG NO: PAC2-TV-TRS-008 REV. NO	
REV. NO	DATE	DESCRIPTION	BY	APP	JAPAN INTERNATIONAL COOPERATION AGENCY ASSIGNED TO: JAPAN PORT CONSULTANT (JPC) PACIFIC CONSULTANTS INTERNATIONAL (PCI) INTERNATIONAL DEVELOPMENT SYSTEM (IDS)				

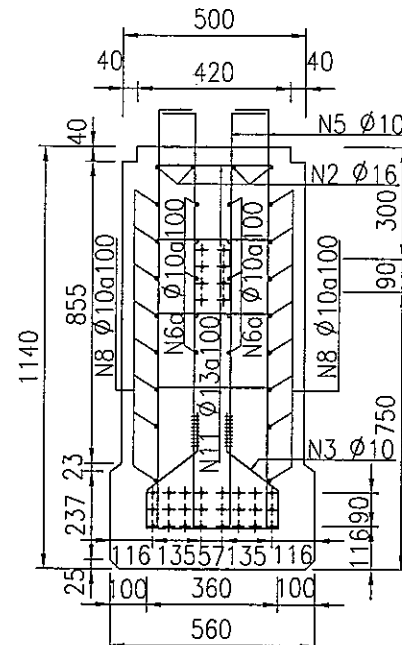
REINFORCEMENT OF GIRDER



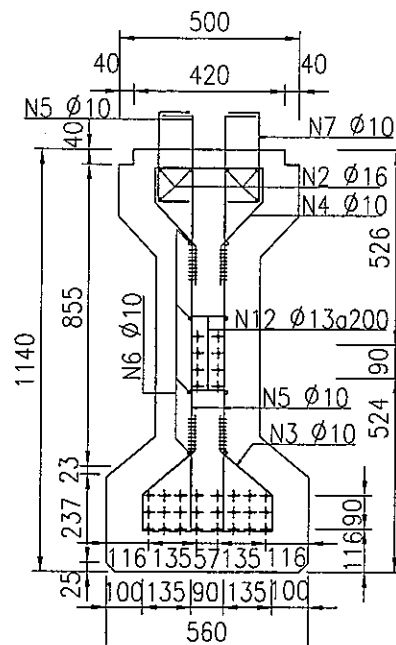
SECTION B - B
TL 1:10



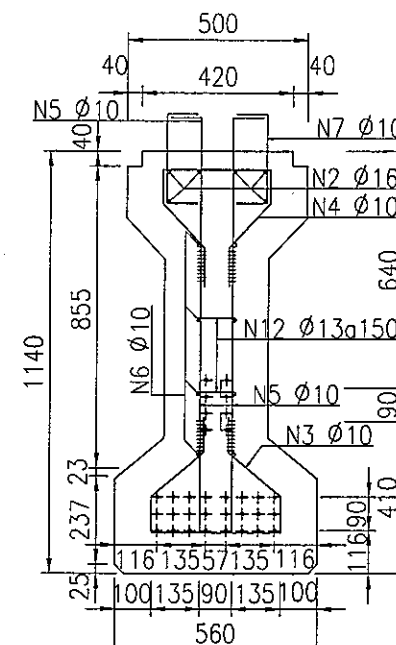
SECTION C - C
TL 1:10



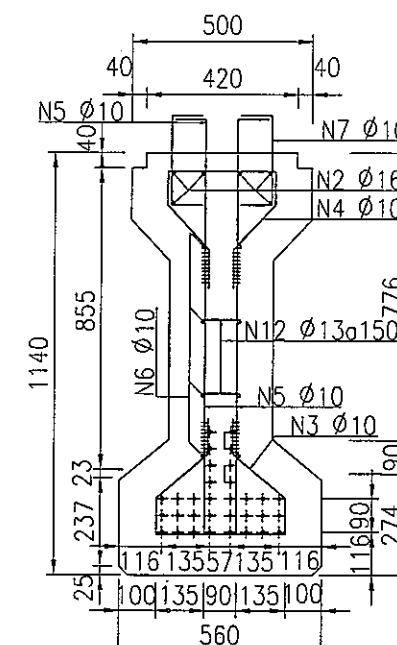
SECTION D - D
TL 1:10



SECTION E - E
TL 1:10



SECTION F - F
TL 1:10



NOTES:

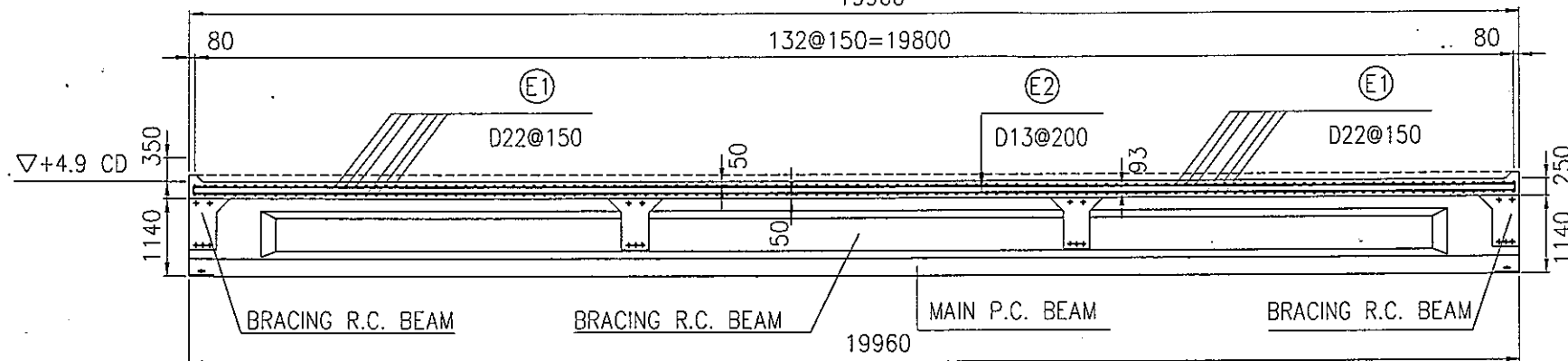
- ULTIMATE STRENGTH OF PRESTRESSING
STEEL $F_{pu} = 1860$ MPA
- YIELD STRENGTH OF REINFORCEMENT = 345 MPA
- COMPRESSIVE STRENGTH OF CONCRETE AT 28 DAYS
 $F'_c = 42$ MPA (TESTING SAMPLE ACCORDING TO
ASTM STANDARD)

<p>THE SOCIALIST REPUBLIC OF VIETNAM MINISTRY OF TRANSPORT PROJECT MANAGEMENT UNIT 85</p>				<p>CAI MEP - THI VAI INTERNATIONAL PORT CONSTRUCTION PROJECT</p>		<p>DESIGNED BY: BUI AN LOC DRAWN BY: NG. DUU QUANG CHECKED BY: YOSHIDA Y. APPROVED BY: NAGAI K. ISSUE DATE: 15/SEP/2005 SCALE: 1/60, 1/10</p>		<p>SECTION: CIVIL WORKS SUB-SECTION: TRETTLE TITLE OF DRAWING: REINFORCEMENT OF P.C I BEAM DWG NO: PAC2-TV-TRS-009</p>		<p>REV. NO</p>
<p>JICA JAPAN INTERNATIONAL COOPERATION AGENCY ASSIGNED TO: JAPAN PORT CONSULTANT (JPC) PACIFIC CONSULTANTS INTERNATIONAL (PCI) INTERNATIONAL DEVELOPMENT SYSTEM (IDS)</p>				<p>PACKAGE 2 CONSTRUCTION OF PORT FACILITIES AND BUILDINGS FOR THI VAI AREA</p>						
REV NO	DATE	DESCRIPTION	BY	APP						

SECTION A-A

SCALE: 1/100

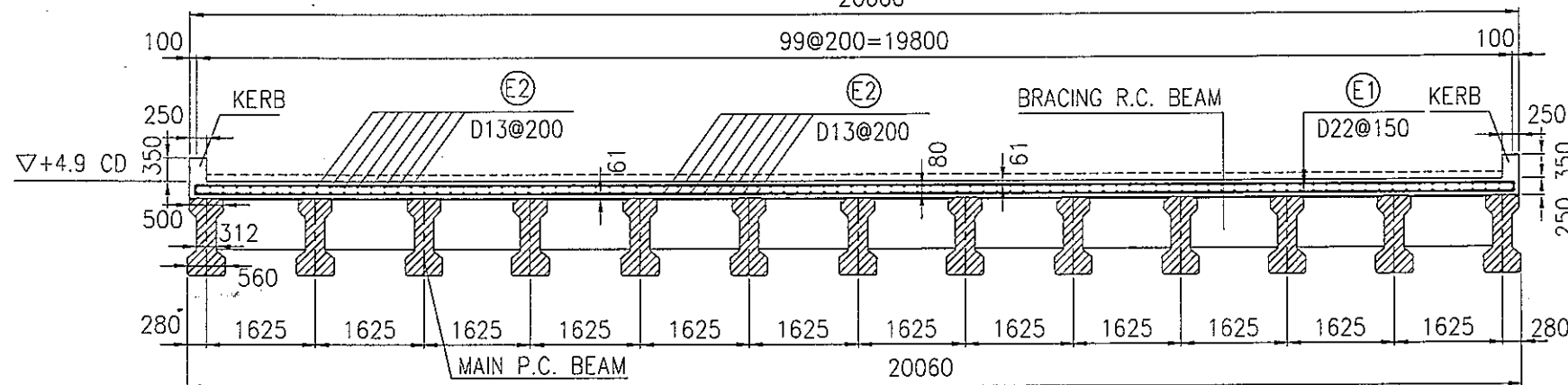
19960



SECTION B-B

SCALE: 1/100

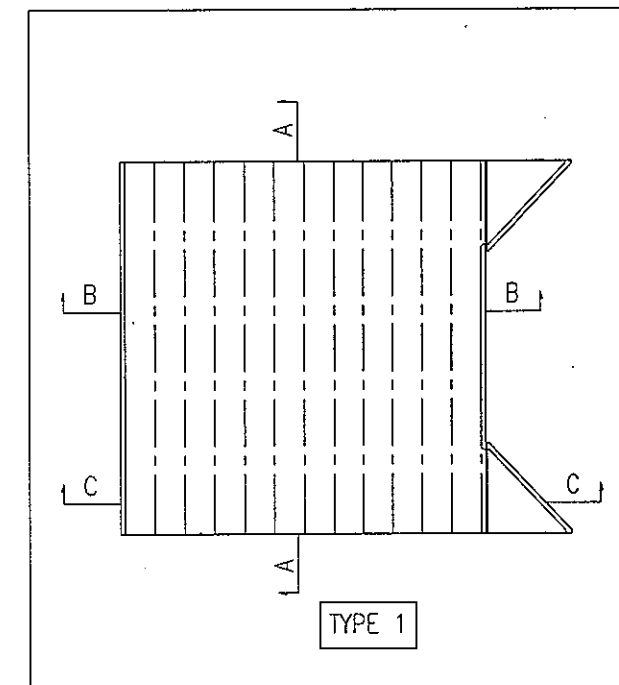
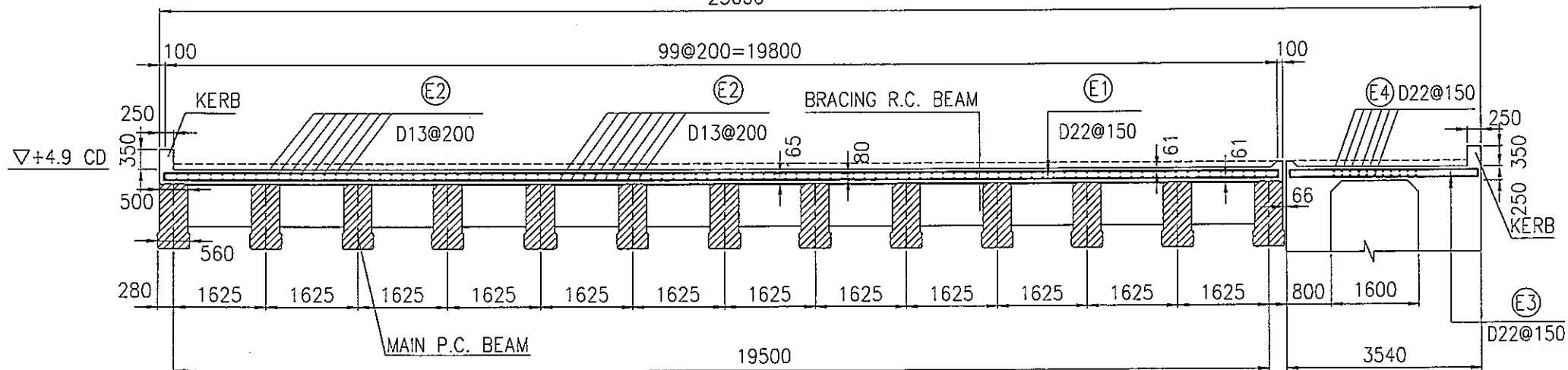
20000



SECTION C-C

SCALE: 1/100

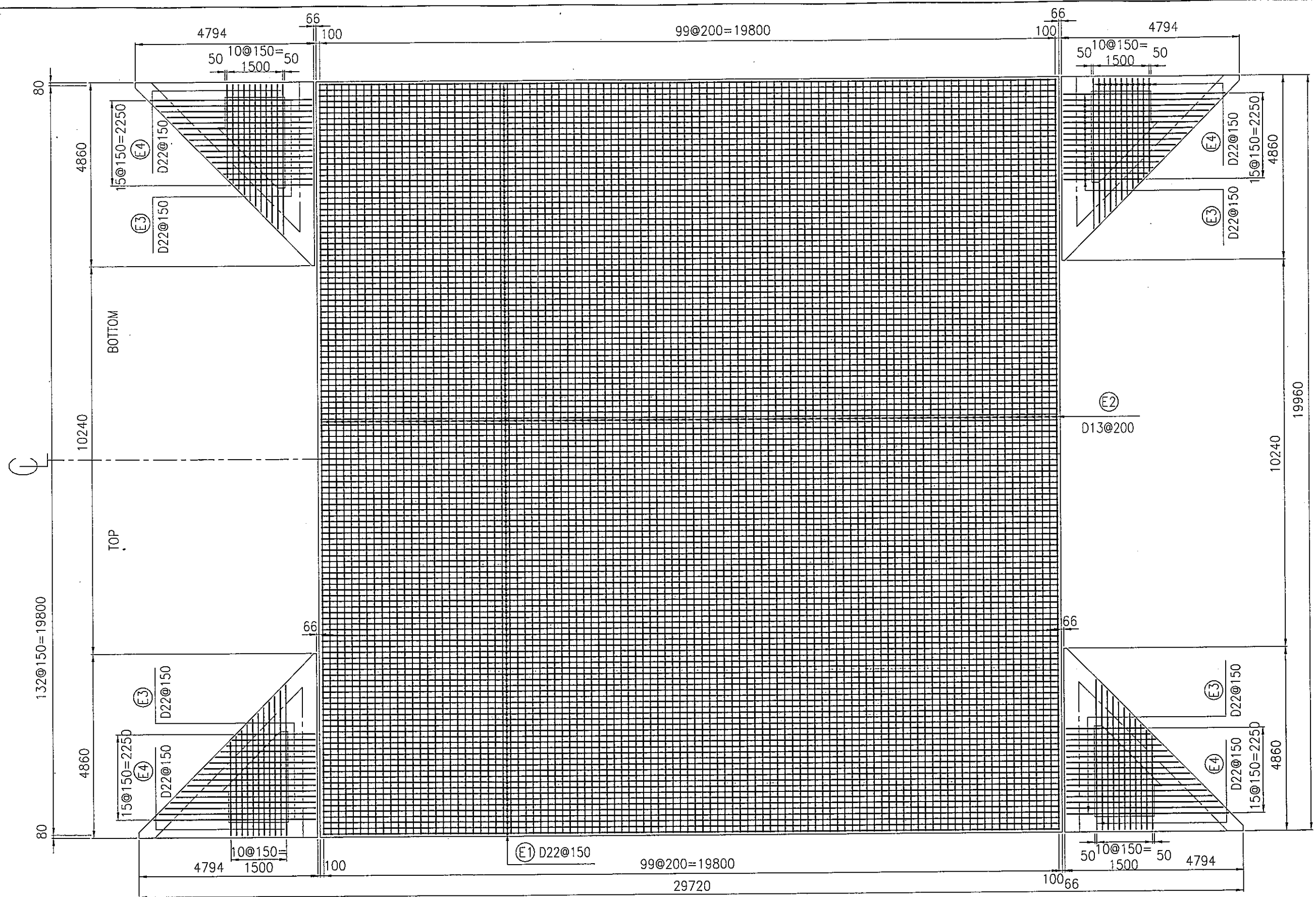
23606



LEGENDS:

- DIMENSIONS ARE IN MILLIMETER.
- ELEVATIONS ARE IN METER - CHART DATUM.
- NUMBERS OF APPROACH BRIDGES OF TYPE 1 ARE 2 NOB.

<p>THE SOCIALIST REPUBLIC OF VIETNAM MINISTRY OF TRANSPORT PROJECT MANAGEMENT UNIT 85</p> <p>JICA JAPAN INTERNATIONAL COOPERATION AGENCY ASSIGNED TO: JAPAN PORT CONSULTANT (JPC) PACIFIC CONSULTANTS INTERNATIONAL (PCI) INTERNATIONAL DEVELOPMENT SYSTEM (IDS)</p>					<p>CAI MEP - THI VAI INTERNATIONAL PORT CONSTRUCTION PROJECT</p> <p>PACKAGE 2 CONSTRUCTION OF PORT FACILITIES AND BUILDINGS FOR THI VAI AREA</p>		DESIGNED BY: BIA AN LOC	SECTION:	CIVIL WORKS
							DRAWN BY: NGUYEN LE PHUONG	SUB-SECTION:	TRESTLE 1
REV NO DATE DESCRIPTION BY APP					APPROVED BY: NACU K.		CHECKED BY: YOSHIDA Y.	TITLE OF DRAWING:	SLAB REINFORCEMENT OF TRESTLE 1 (2)
							ISSUE DATE: 15/SEP/2005	DWG NO:	PAC2-TV-TRS-011
							SCALE: 1/100	REV. NO	



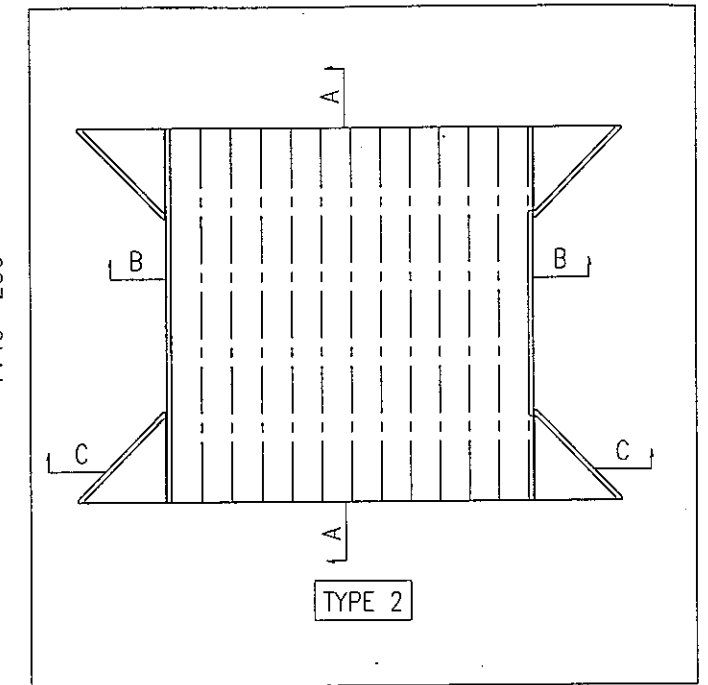
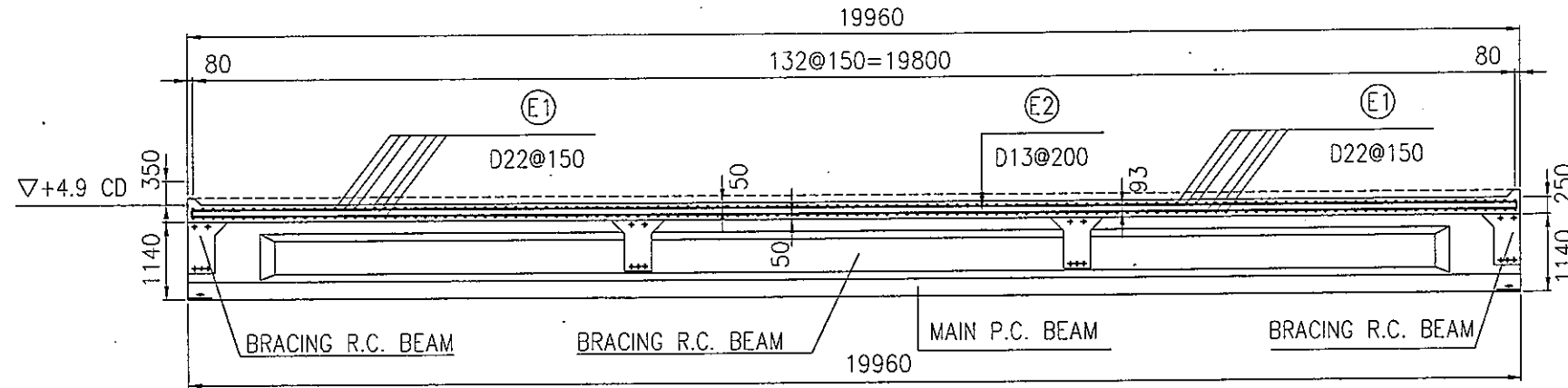
PLAN OF STEEL ARRANGEMENT

SCALE: 1/100

		THE SOCIALIST REPUBLIC OF VIETNAM MINISTRY OF TRANSPORT PROJECT MANAGEMENT UNIT 85		CAI MEP - THI VAI INTERNATIONAL PORT CONSTRUCTION PROJECT		DESIGNED BY: BUI AN LOC		SECTION: CIVIL WORKS	
				PACKAGE 2 CONSTRUCTION OF PORT FACILITIES AND BUILDINGS FOR THI VAI AREA		DRAWN BY: NGUYEN LE PHUONG		SUB-SECTION: TRESTLE 2	
						CHECKED BY: YOSHIDA Y.		TITLE OF DRAWING: SLAB REINFORCEMENT OF TRESTLE 2 (1)	
						APPROVED BY: NAKAI K.		DWG NO: PAC2-TV-TRS-012	
REV NO	DATE	DESCRIPTION	BY	APP			ISSUE DATE: 15/SEP/2005		REV. NO
							SCALE: 1/100		

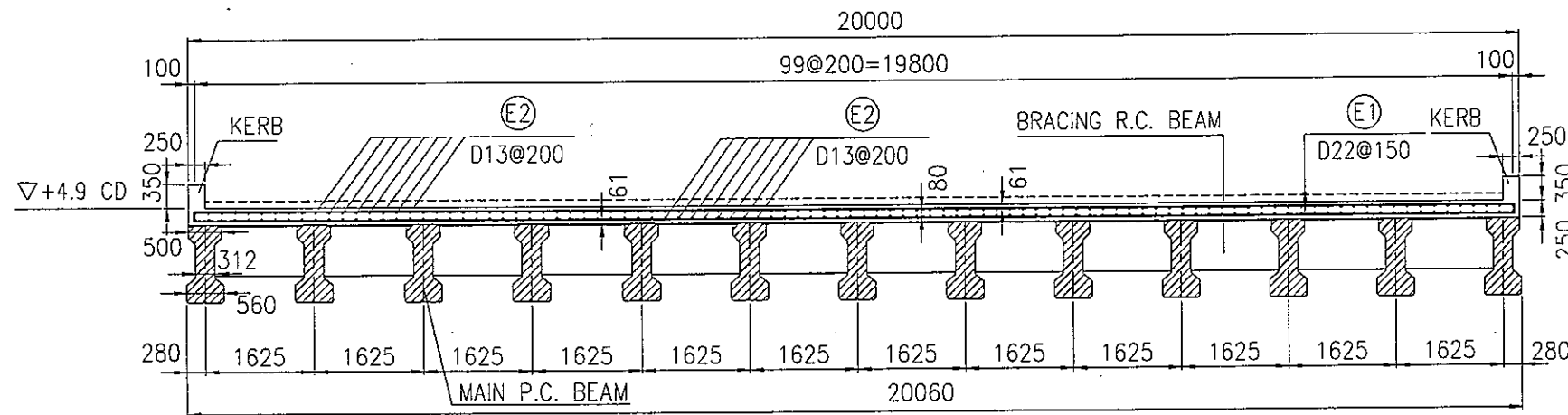
SECTION A-A

SCALE: 1/100



SECTION B-B

SCALE: 1/100

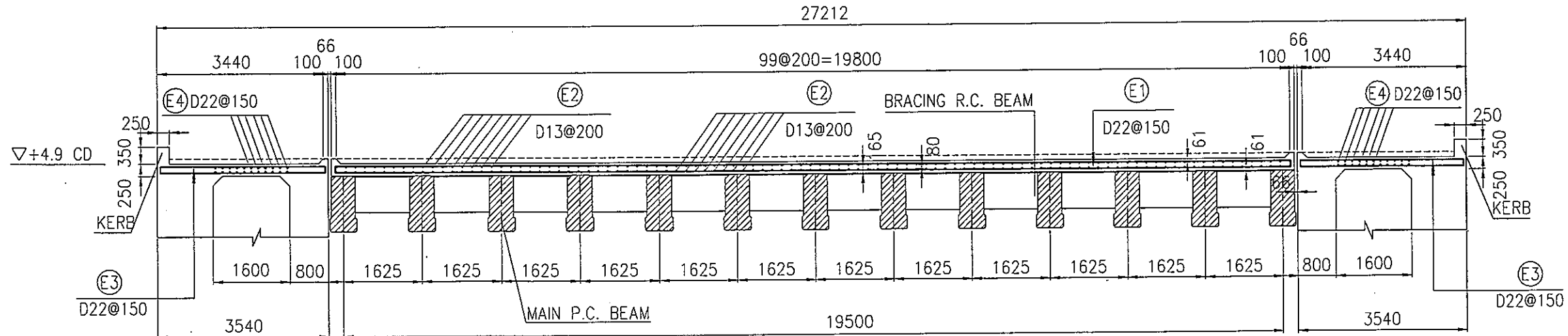


LEGENDS:

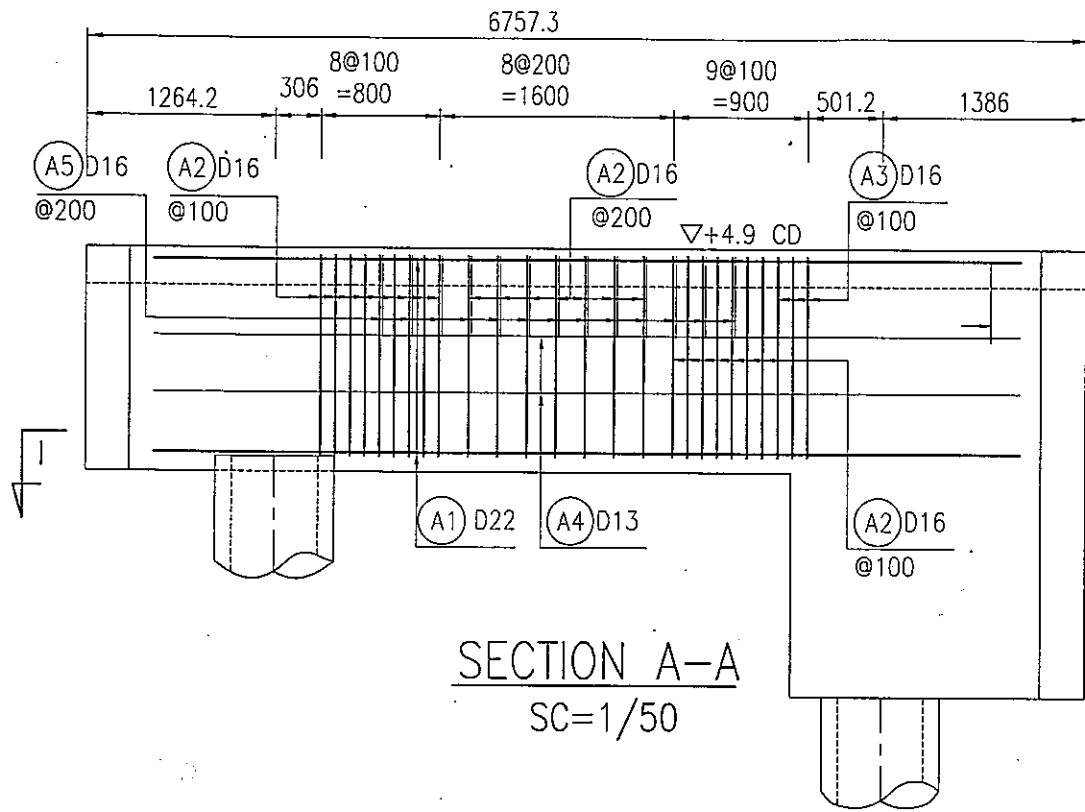
- DIMENSIONS ARE IN MILLIMETER.
- ELEVATIONS ARE IN METER - CHART DATUM.
- NUMBERS OF APPROACH BRIDGES OF TYPE 2 ARE 7 NOB.

SECTION C-C

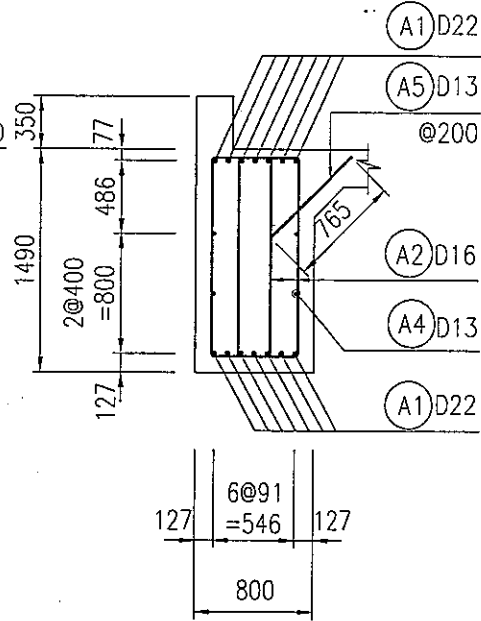
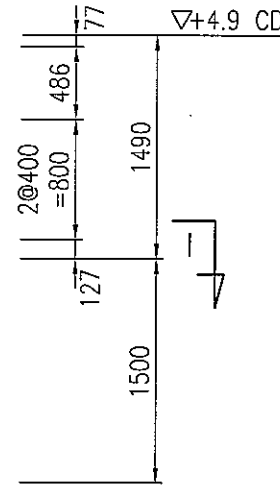
SCALE: 1/100



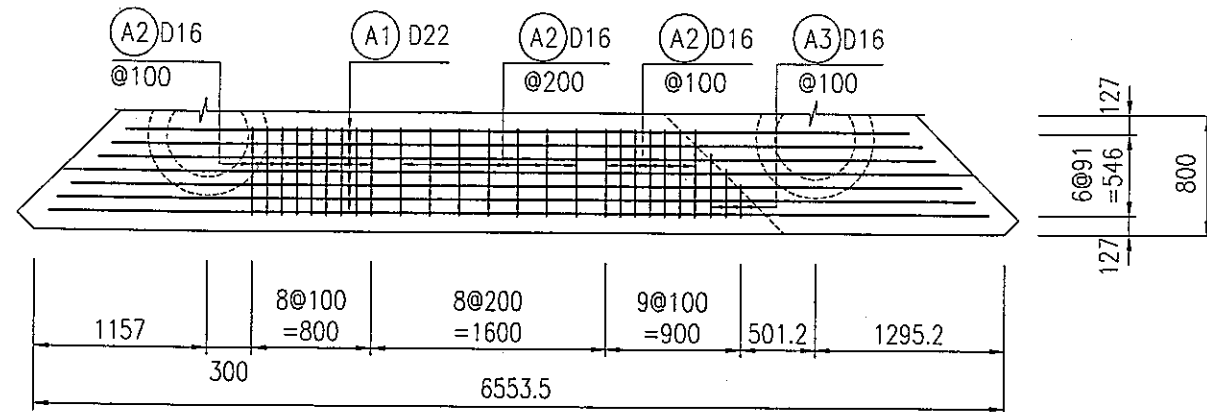
		THE SOCIALIST REPUBLIC OF VIETNAM MINISTRY OF TRANSPORT PROJECT MANAGEMENT UNIT 85		CAI MEP - THI VAI INTERNATIONAL PORT CONSTRUCTION PROJECT		DESIGNED BY: BU AN LOC		SECTION: CIVIL WORKS	
		JAPAN INTERNATIONAL COOPERATION AGENCY ASSIGNED TO: JAPAN PORT CONSULTANT (JPC) PACIFIC CONSULTANTS INTERNATIONAL (PCI) INTERNATIONAL DEVELOPMENT SYSTEM (IDS)		PACKAGE 2 CONSTRUCTION OF PORT FACILITIES AND BUILDINGS FOR THI VAI AREA		DRAWN BY: NGUYEN LE PHUONG		SUB-SECTION: TRESTLE 2	
				APPROVED BY: NAGAI K.		CHECKED BY: YOSHIDA Y.		TITLE OF DRAWING: SLAB REINFORCEMENT OF TRESTLE 2 (2)	
				ISSUE DATE: 15SEP2005 SCALE: 1/100		DWG NO: PAC2-TV-TRS-013		REV. NO	
REV NO	DATE	DESCRIPTION	BY	APP					



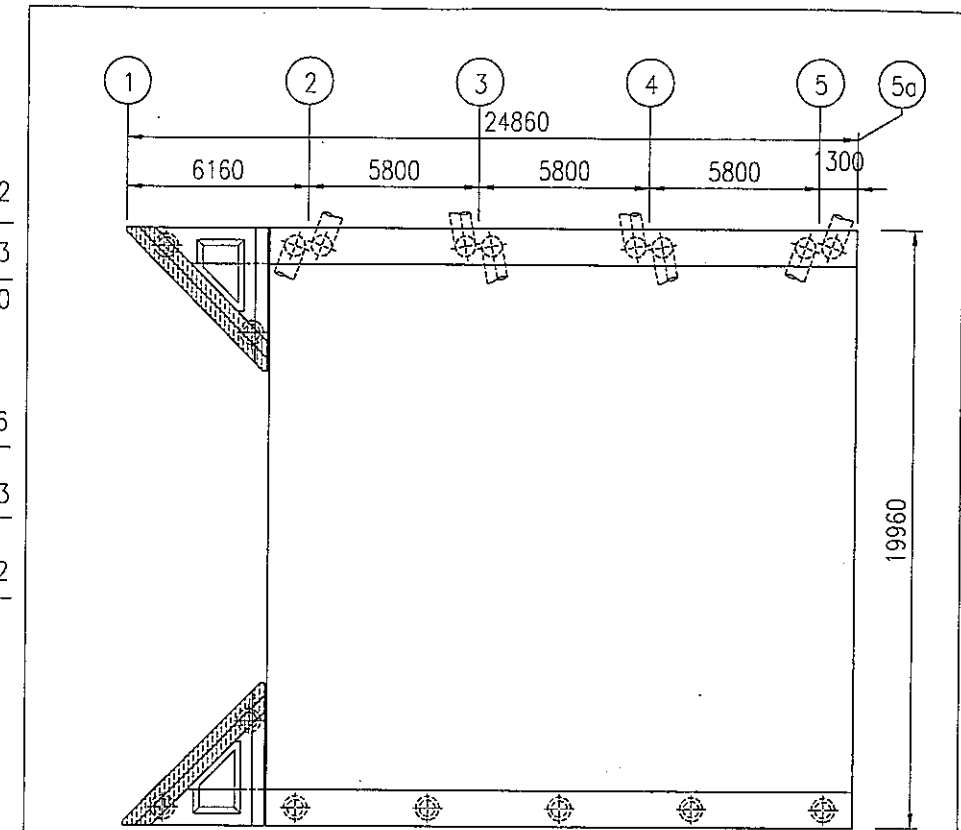
SECTION A-A
SC=1/50



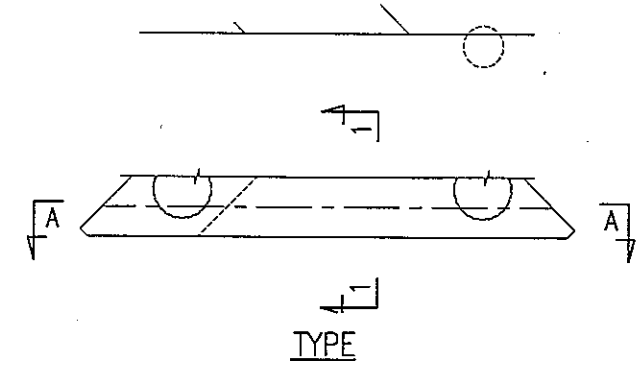
SECTION 1-1
SC=1/50



SECTION I-I
SC=1/50



KEY PLAN

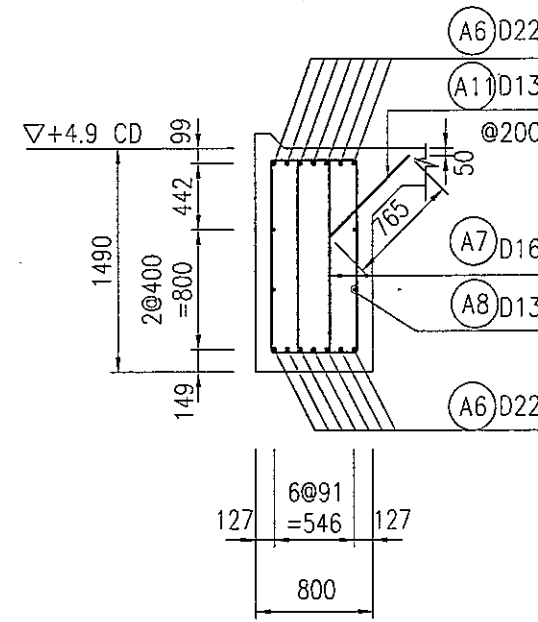
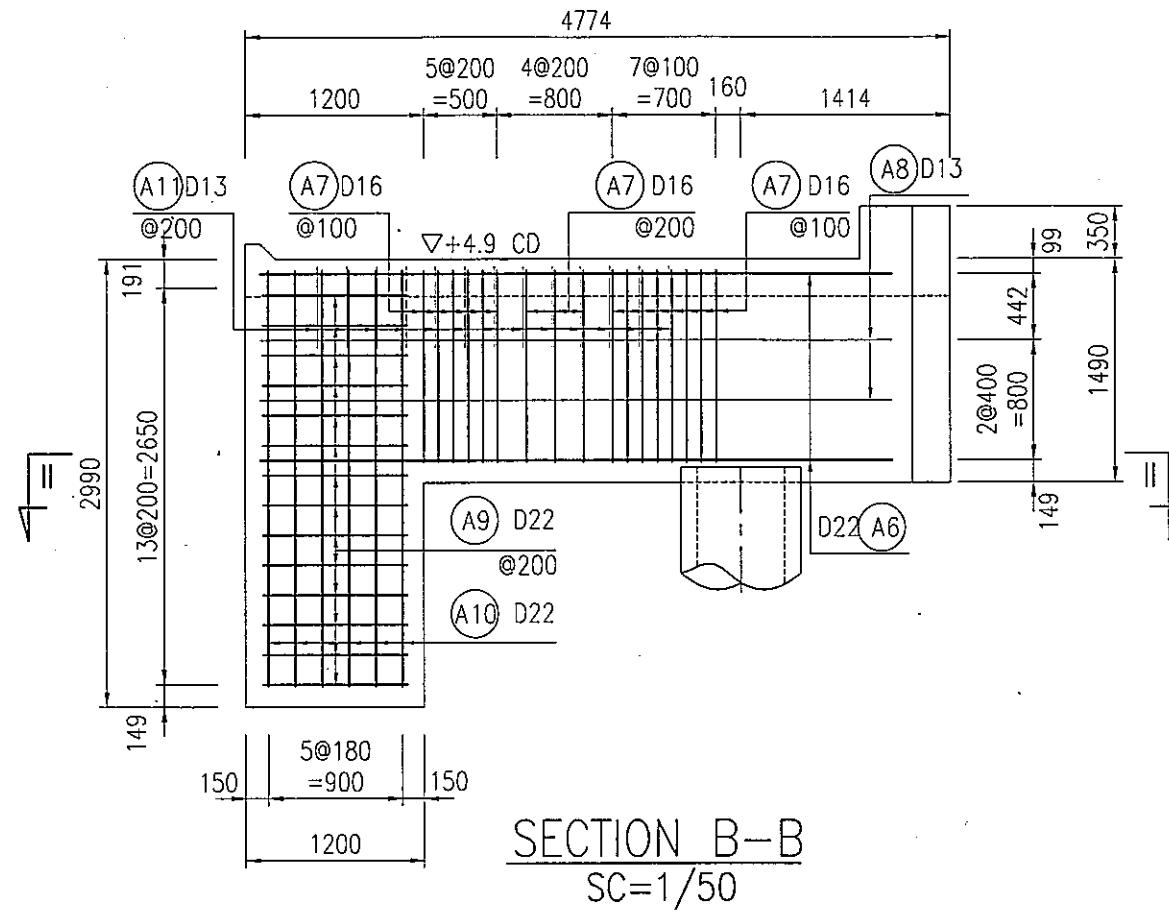


TYPE

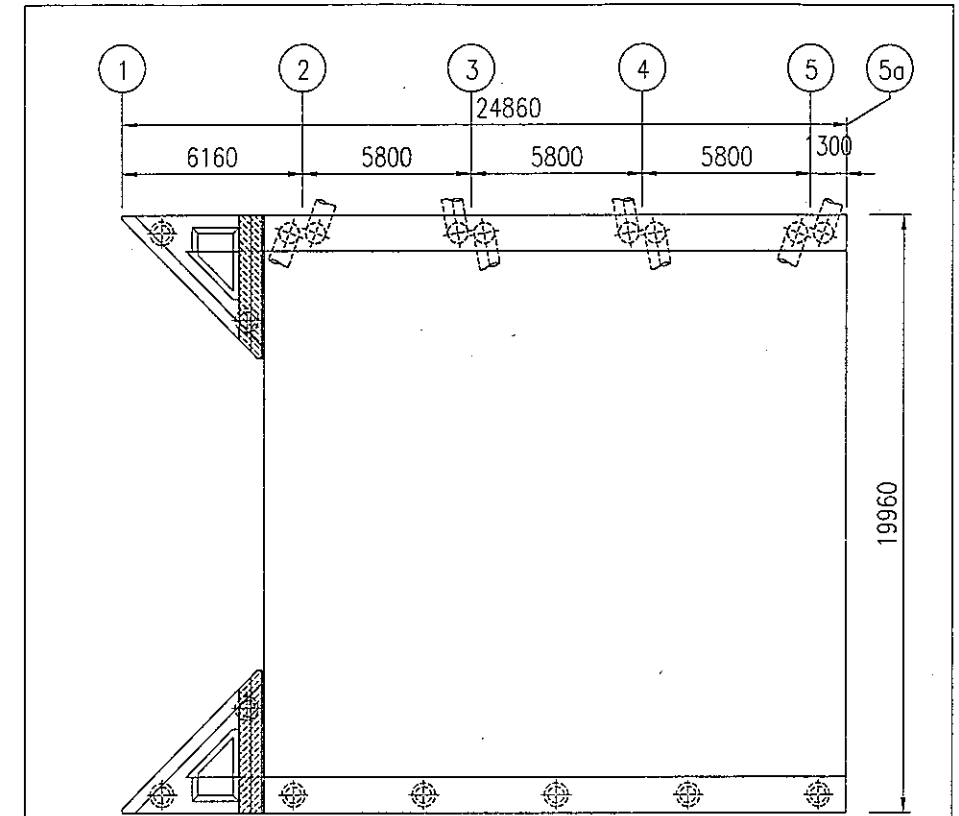
NOTES

- DIMENSIONS ARE IN MILLIMETER.
- ELEVATIONS ARE IN METER - CHART DATUM.

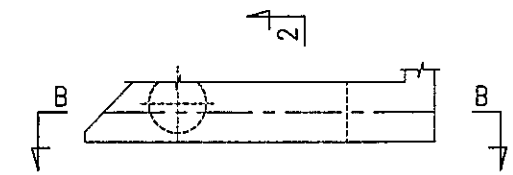
<p align="center">THE SOCIALIST REPUBLIC OF VIETNAM MINISTRY OF TRANSPORT PROJECT MANAGEMENT UNIT 85</p>					<p align="center">CAI MEP - THI VAI INTERNATIONAL PORT CONSTRUCTION PROJECT</p>		<p>DESIGNED BY: BUI AN LOC DRAWN BY: NGO SY DUNG CHECKED BY: YOSHIDA Y. APPROVED BY: NAGAI K. ISSUE DATE: 15/SEP/2005 SCALE: 1/50, 1/100, 1/250</p>		<p>SECTION: CIVIL WORKS SUB-SECTION: TRESTLE TITLE OF DRAWING: STRUCTURE OF CORNER BEAM 1 - TRESTLE 1 DWG NO: PAC2-TV-TRS-014 REV. NO</p>	
<p align="center">JICA JAPAN INTERNATIONAL COOPERATION AGENCY ASSIGNED TO: JAPAN PORT CONSULTANT (JPC) PACIFIC CONSULTANTS INTERNATIONAL (PCI) INTERNATIONAL DEVELOPMENT SYSTEM (IDS)</p>					<p align="center">PACKAGE 2 CONSTRUCTION OF PORT FACILITIES AND BUILDINGS FOR THI VAI AREA</p>					
REV NO	DATE	DESCRIPTION	BY	APP						



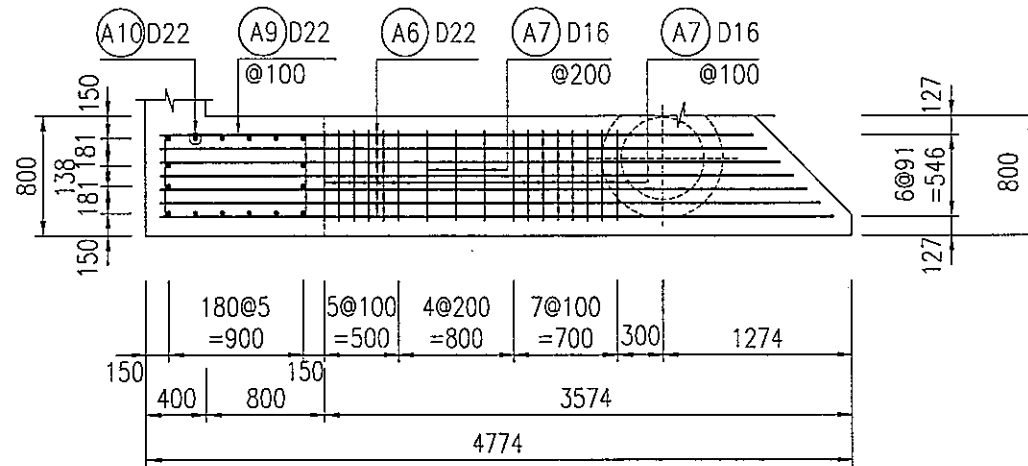
SECTION 2-2
SC=1/50



KEY PLAN



TYPE

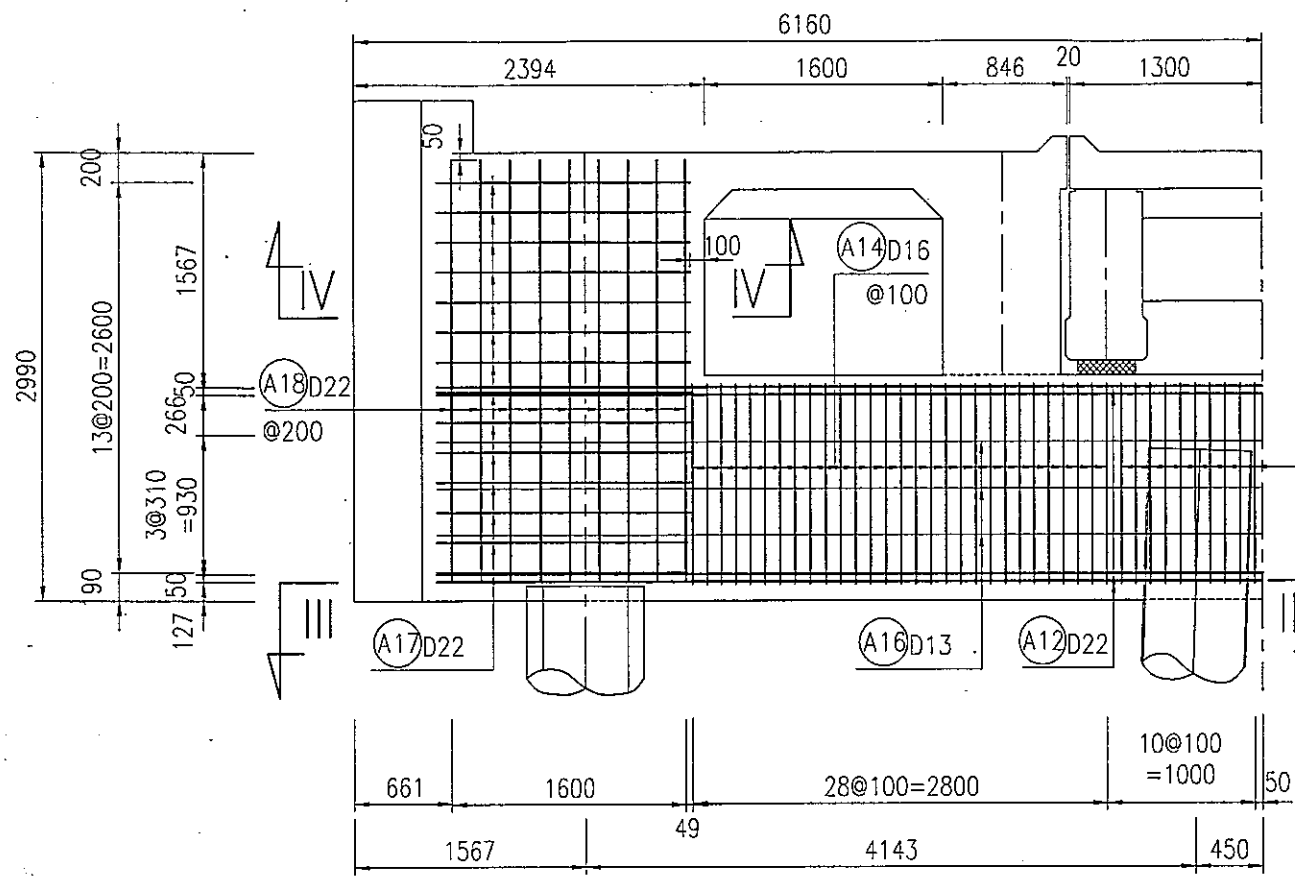


SECTION II-II

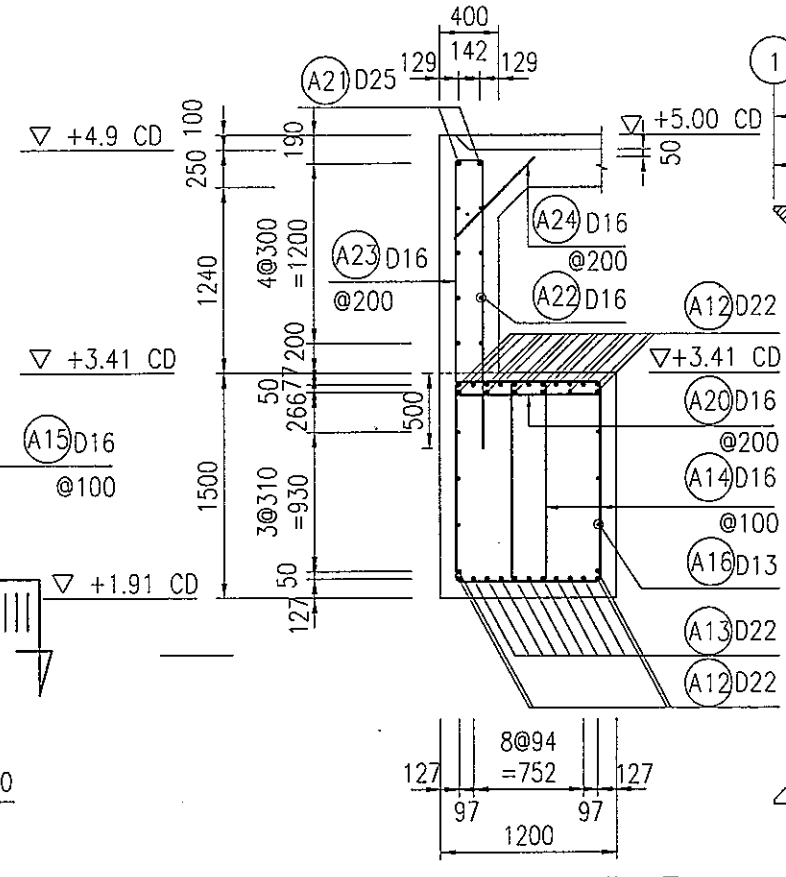
NOTES

- DIMENSIONS ARE IN MILLIMETER.
- ELEVATIONS ARE IN METER - CHART DATUM.

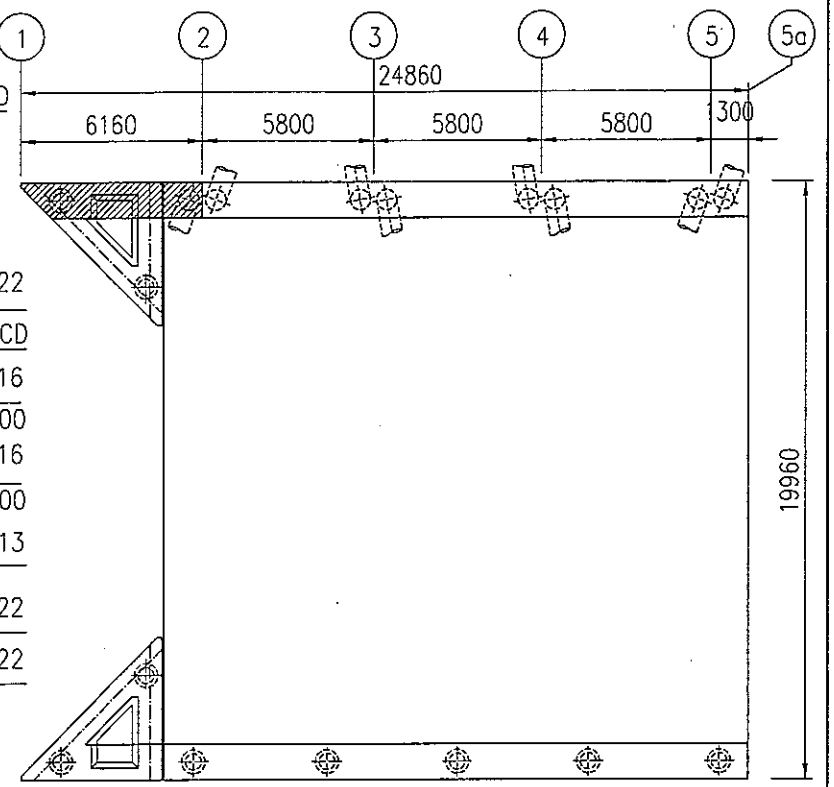
<p align="center">THE SOCIALIST REPUBLIC OF VIETNAM MINISTRY OF TRANSPORT PROJECT MANAGEMENT UNIT 85 </p>					<p align="center">CAI MEP - THI VAI INTERNATIONAL PORT CONSTRUCTION PROJECT</p>		<p>DESIGNED BY: BUY AN LOC DRAWN BY: NGO SY DUNG CHECKED BY: YOSHIDA Y. APPROVED BY: NAGAI K. ISSUE DATE: 15/SEP/2005 SCALE: 1/50, 1/100, 1/250</p>		<p>SECTION: CIVIL WORKS SUB-SECTION: TRESTLE TITLE OF DRAWING: STRUCTURE OF CORNER BEAM 2 - TRESTLE 1 DWG NO: PAC2-TV-TRS-015 REV. NO</p>	
<p align="center"> JAPAN INTERNATIONAL COOPERATION AGENCY ASSIGNED TO: JAPAN PORT CONSULTANT (JPC) PACIFIC CONSULTANTS INTERNATIONAL (PCI) INTERNATIONAL DEVELOPMENT SYSTEM (IDS)</p>					<p align="center">PACKAGE 2 CONSTRUCTION OF PORT FACILITIES AND BUILDINGS FOR THI VAI AREA</p>					
REV NO	DATE	DESCRIPTION	BY	APP						



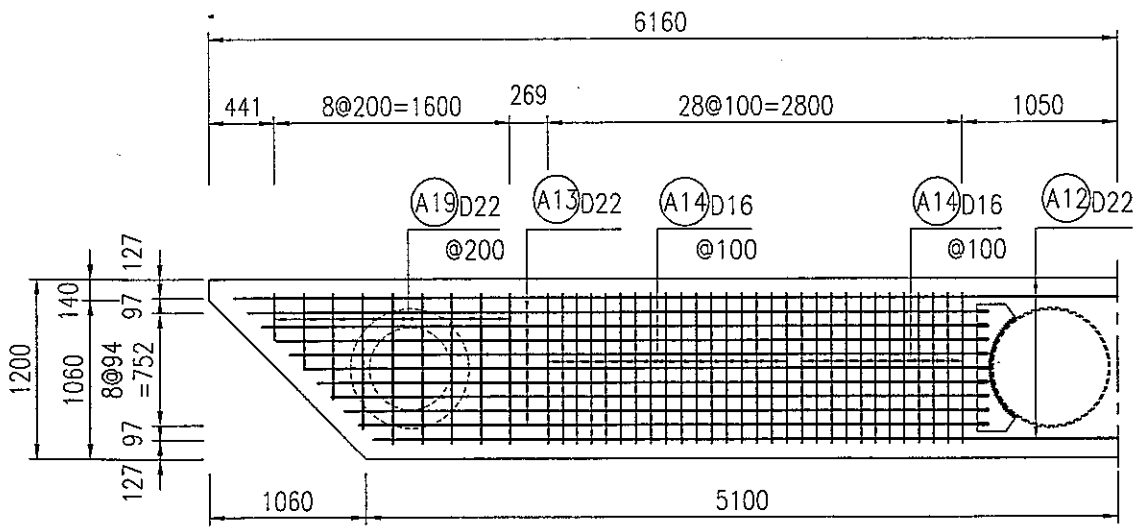
SECTION C-C
SC=1/50



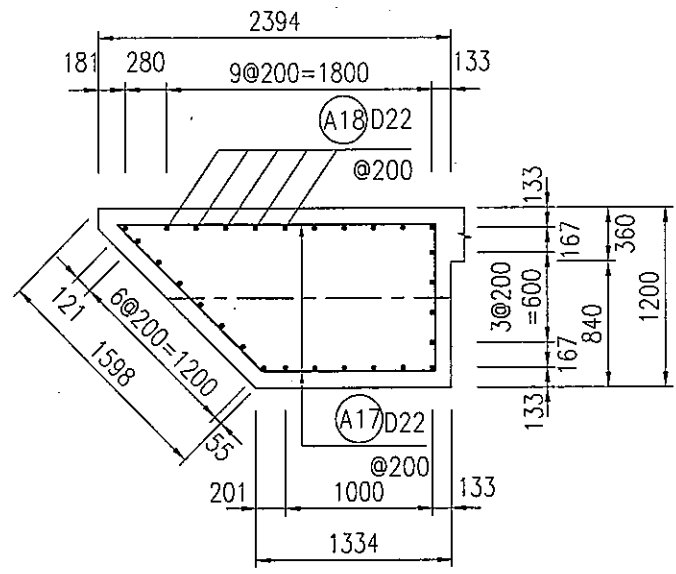
SECTION 3-3
SC=1/50



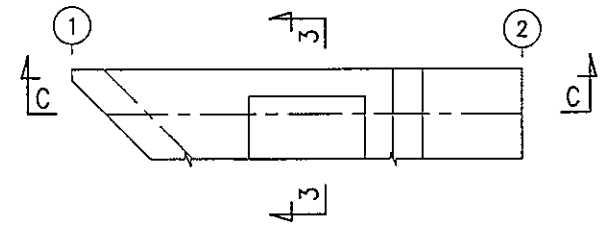
KEY PLAN



SECTION III-III
SC=1/50



SECTION IV-IV
SC=1/50

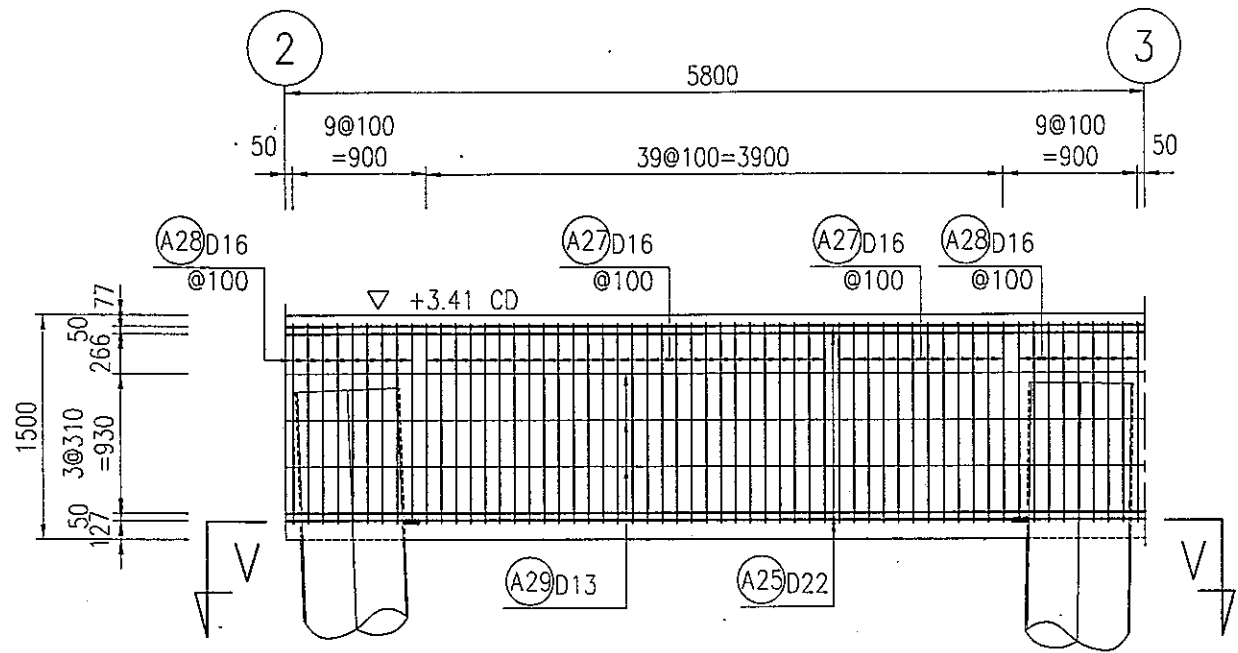


TYPE 1a-2

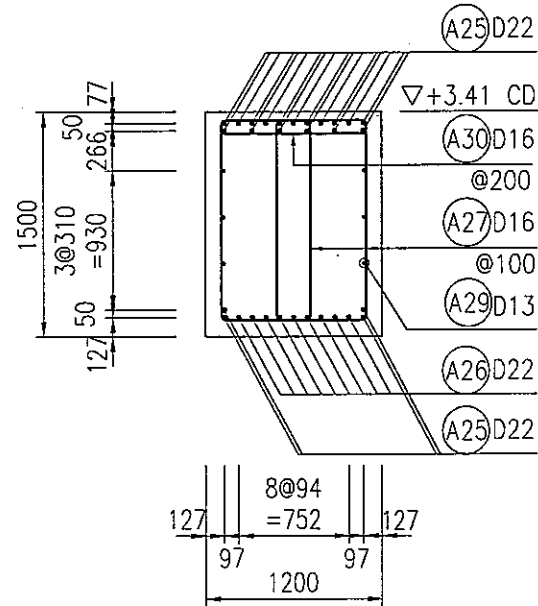
NOTES

- DIMENSIONS ARE IN MILLIMETER.
- ELEVATIONS ARE IN METER - CHART DATUM.

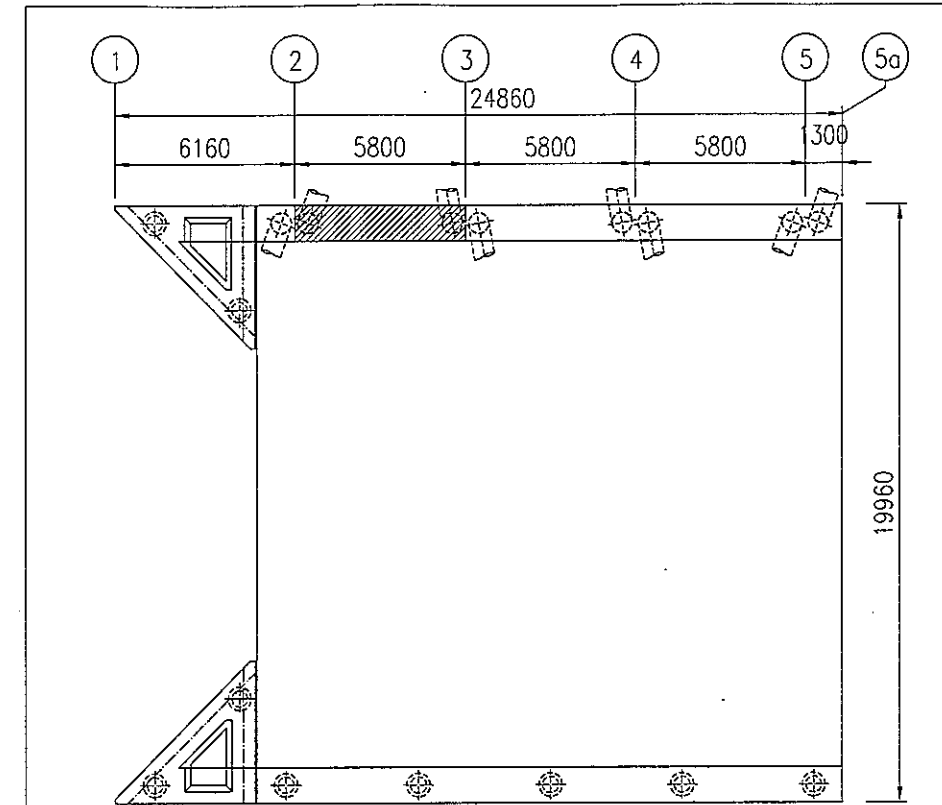
<p align="center">THE SOCIALIST REPUBLIC OF VIETNAM MINISTRY OF TRANSPORT PROJECT MANAGEMENT UNIT 85</p>					<p align="center">CAI MEP - THI VAI INTERNATIONAL PORT CONSTRUCTION PROJECT</p>		<p>DESIGNED BY: BUI AN LOC DRAWN BY: NGO SY DUNG CHECKED BY: YOSHIDA Y. APPROVED BY: NAGAI K. ISSUE DATE: 15/SEP/2005 SCALE: 1/50, 1/100, 1/250</p>		<p>SECTION: CIVIL WORKS SUB-SECTION: TRESTLE TITLE OF DRAWING: STRUCTURE OF SEA SIDE ABUTMENT - TRESTLE 1 (1) DWG NO: PAC2-TV-TRS-016 REV. NO</p>	
REV. NO	DATE	DESCRIPTION	BY	APP	<p align="center">PACKAGE 2 CONSTRUCTION OF PORT FACILITIES AND BUILDINGS FOR THI VAI AREA</p>		<p align="center">JICA JAPAN INTERNATIONAL COOPERATION AGENCY ASSIGNED TO: JAPAN PORT CONSULTANT (JPC) PACIFIC CONSULTANTS INTERNATIONAL (PCI) INTERNATIONAL DEVELOPMENT SYSTEM (IDS)</p>			



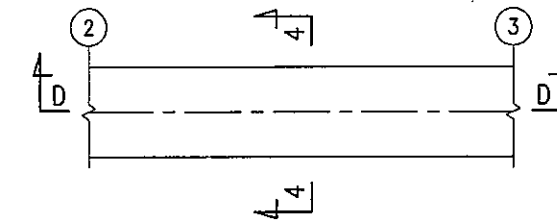
SECTION D-D
SC=1/50



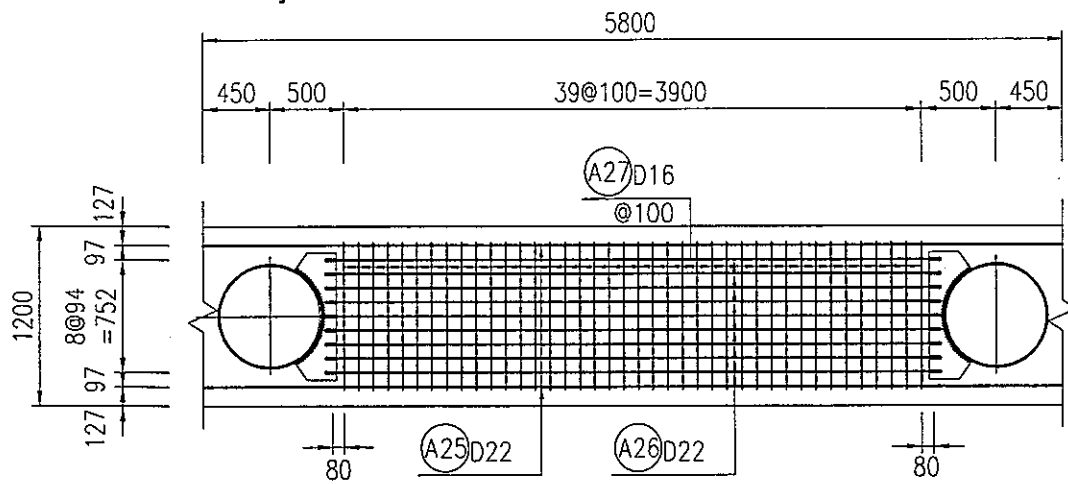
SECTION 4-4
SC=1/50



KEY PLAN



TYPE 2-3

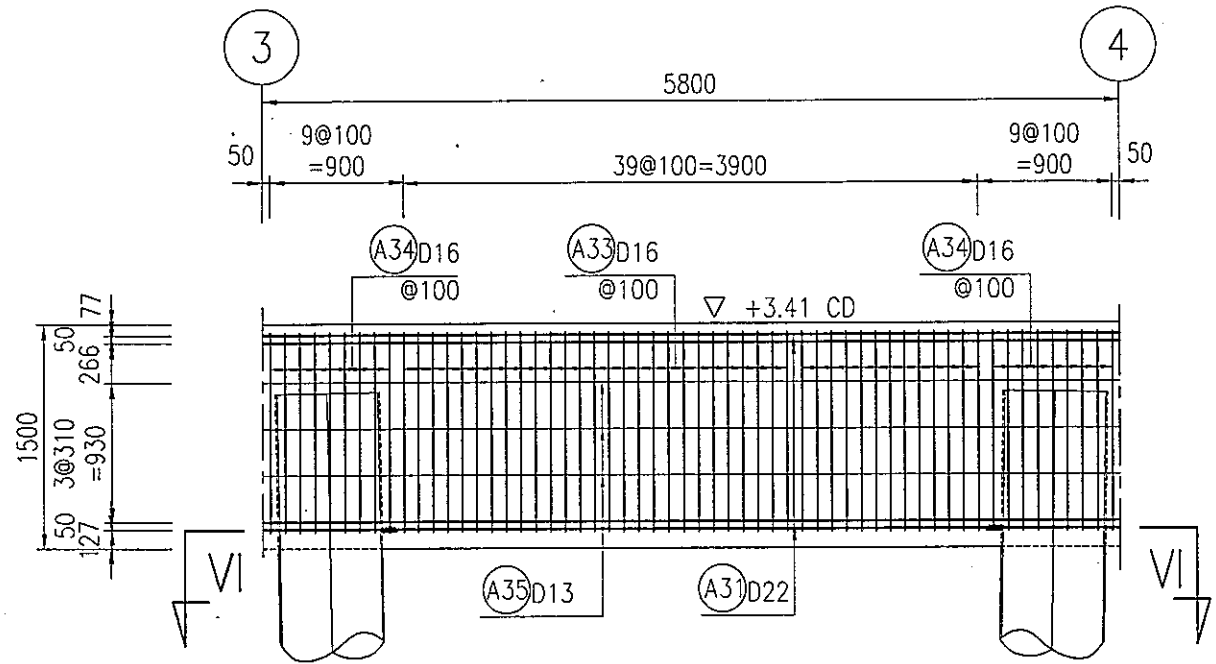


SECTION V-V
SC=1/50

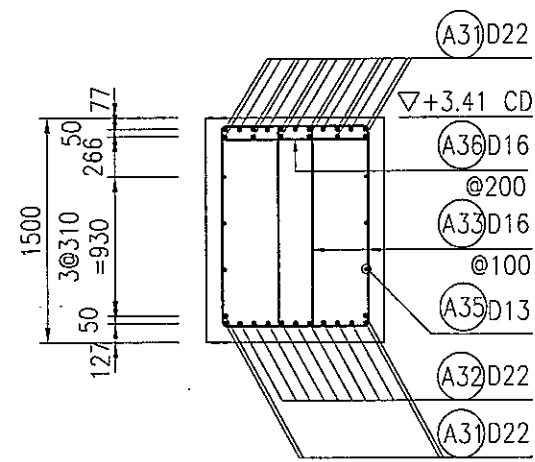
NOTES

- DIMENSIONS ARE IN MILLIMETER.
- ELEVATIONS ARE IN METER - CHART DATUM.

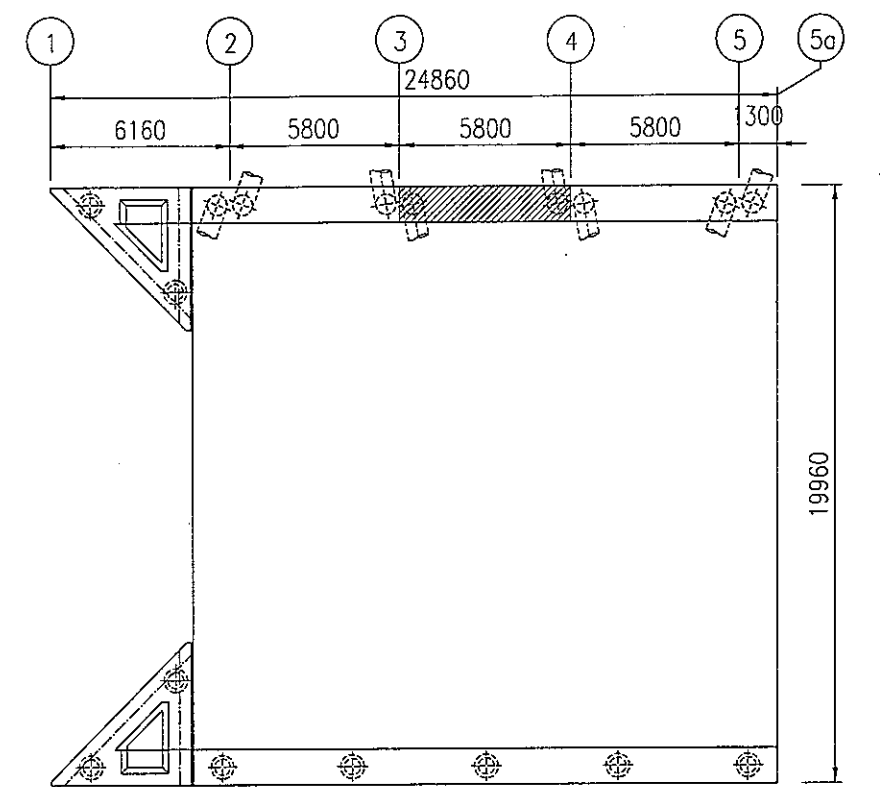
				THE SOCIALIST REPUBLIC OF VIETNAM MINISTRY OF TRANSPORT PROJECT MANAGEMENT UNIT 85		CAI MEP - THI VAI INTERNATIONAL PORT CONSTRUCTION PROJECT		DESIGNED BY: <i>[Signature]</i> DRAWN BY: <i>[Signature]</i> CHECKED BY: <i>[Signature]</i> APPROVED BY: <i>[Signature]</i> ISSUE DATE: 15/SEP/2005 SCALE: 1/50, 1/100, 1/250		SECTION: CIVIL WORKS SUB-SECTION: TRESTLE TITLE OF DRAWING: STRUCTURE OF SEA SIDE ABUTMENT - TRESTLE 1 [2] DWG NO: PAC2-TV-TRS-017 REV. NO	
				JICA JAPAN INTERNATIONAL COOPERATION AGENCY ASSIGNED TO: JAPAN PORT CONSULTANT (JPC) PACIFIC CONSULTANTS INTERNATIONAL (PCI) INTERNATIONAL DEVELOPMENT SYSTEM (IDS)		PACKAGE 2 CONSTRUCTION OF PORT FACILITIES AND BUILDINGS FOR THI VAI AREA					
REV NO	DATE	DESCRIPTION	BY	APP							



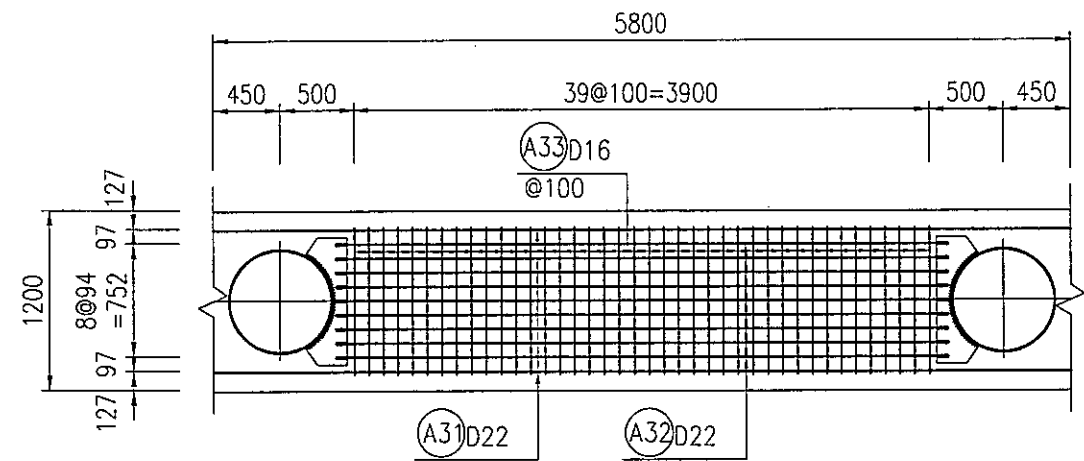
SECTION E-E
SC=1/50



SECTION 5-5
SC=1/50



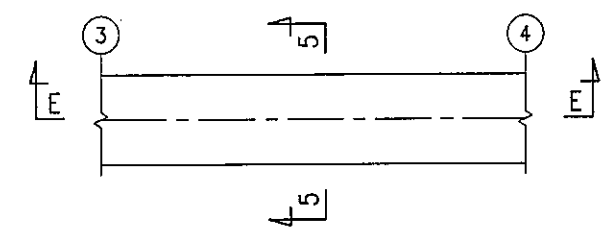
KEY PLAN



SECTION VI-VI
SC=1/50

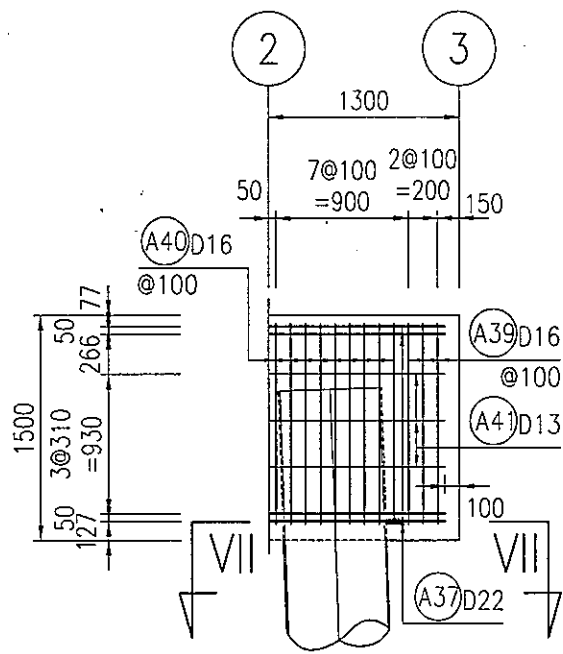
NOTES

- DIMENSIONS ARE IN MILLIMETER.
- ELEVATIONS ARE IN METER - CHART DATUM.

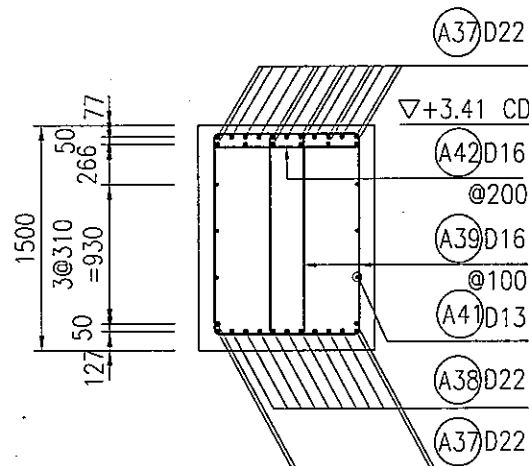


TYPE 3-4

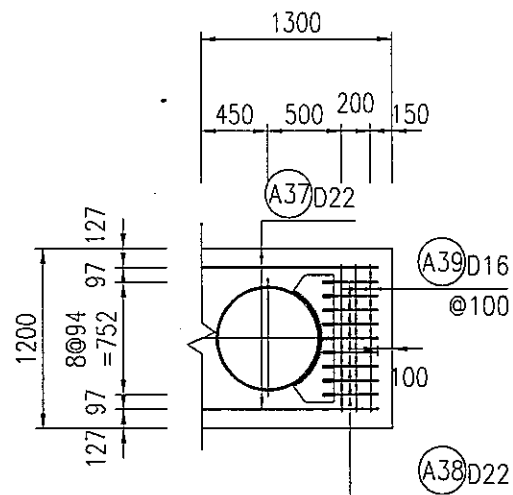
<p>THE SOCIALIST REPUBLIC OF VIETNAM MINISTRY OF TRANSPORT PROJECT MANAGEMENT UNIT 85</p>				<p>CAI MEP - THI VAI INTERNATIONAL PORT CONSTRUCTION PROJECT</p>		<p>DESIGNED BY: BUI AN LOC DRAWN BY: NGO SY DUNG CHECKED BY: YOSHIDA Y. APPROVED BY: NAGAI K. ISSUE DATE: 15/SEP/2005</p>		<p>SECTION: CIVIL WORKS SUB-SECTION: TRESTLE TITLE OF DRAWING: STRUCTURE OF SEA SIDE ABUTMENT - TRESTLE 1 [3]</p>	
<p>JICA JAPAN INTERNATIONAL COOPERATION AGENCY ASSIGNED TO: JAPAN PORT CONSULTANT (JPC) PACIFIC CONSULTANTS INTERNATIONAL (PCI) INTERNATIONAL DEVELOPMENT SYSTEM (IDS)</p>				<p>PACKAGE 2 CONSTRUCTION OF PORT FACILITIES AND BUILDINGS FOR THI VAI AREA</p>		<p>SCALE: 1/50, 1/100, 1/250</p>		<p>DWG NO: PAC2-TV-TRS-018 REV. NO</p>	
REV NO	DATE	DESCRIPTION	BY	APP					



SECTION F-F
SC=1/50



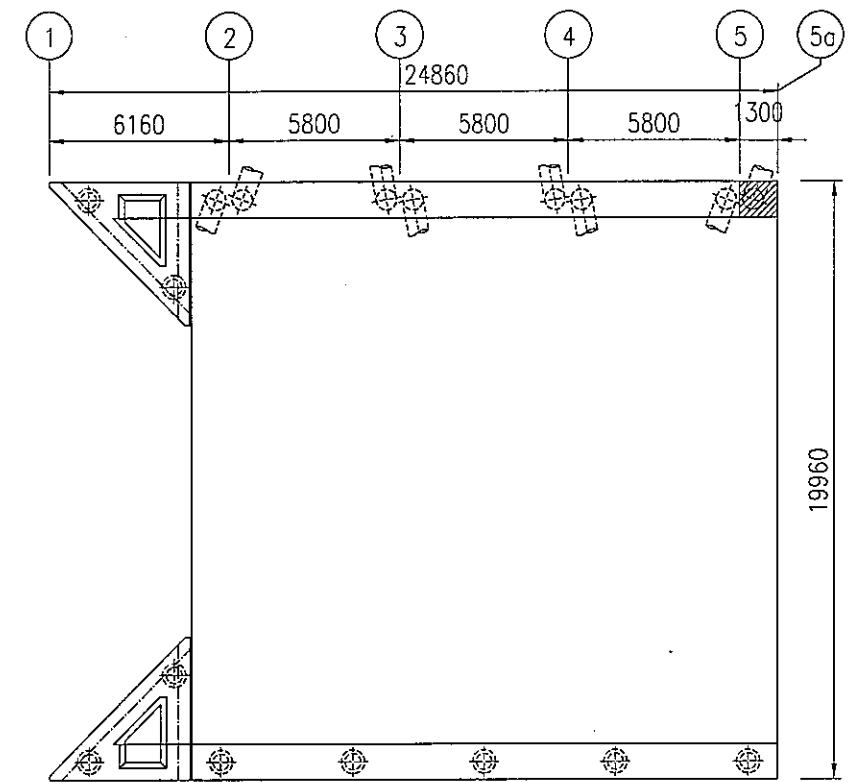
SECTION 6-6
SC=1/50



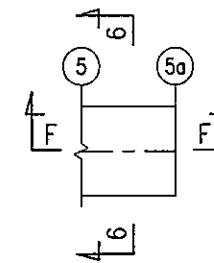
SECTION VII-VII
SC=1/50

NOTES

- DIMENSIONS ARE IN MILLIMETER.
- ELEVATIONS ARE IN METER - CHART DATUM.

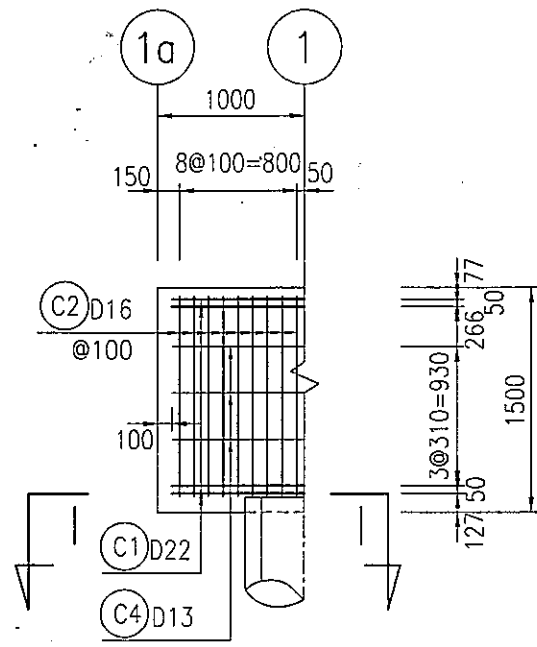


KEY PLAN

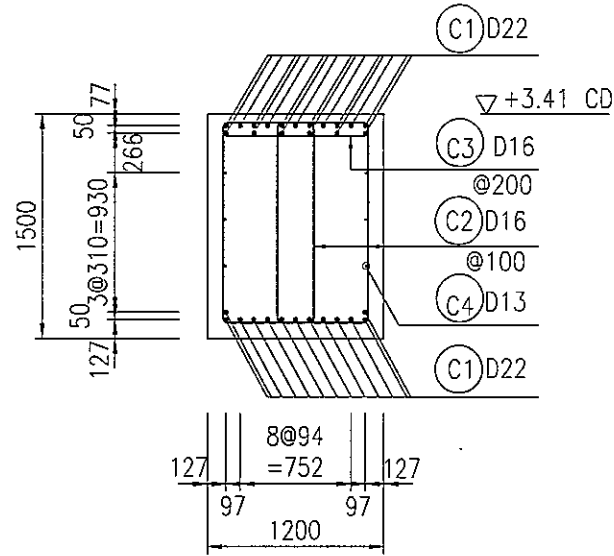


TYPE 5-5a

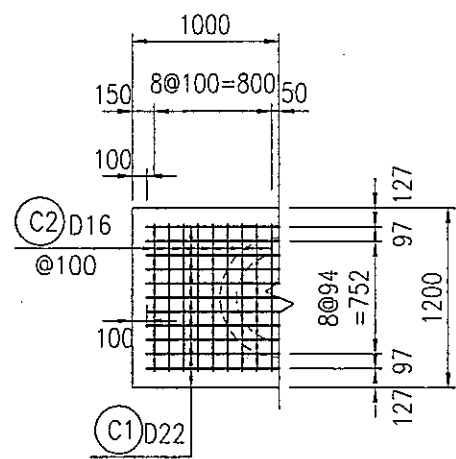
					THE SOCIALIST REPUBLIC OF VIETNAM MINISTRY OF TRANSPORT PROJECT MANAGEMENT UNIT 85		CAI MEP - THI VAI INTERNATIONAL PORT CONSTRUCTION PROJECT		DESIGNED BY: BUI AN LOC DRAWN BY: NGO SY DUNG CHECKED BY: YOSHIDA Y. APPROVED BY: NAGAI K. ISSUE DATE: 15/SEP/2005 SCALE: 1/50, 1/100, 1/250		SECTION: CIVIL WORKS SUB-SECTION: TRESTLE TITLE OF DRAWING: STRUCTURE OF SEA SIDE ABUTMENT - TRESTLE 1 [4] DWG NO: PAC2-TV-TRS-019		REV. NO
					JICA JAPAN INTERNATIONAL COOPERATION AGENCY ASSIGNED TO: JAPAN PORT CONSULTANT (JPC) PACIFIC CONSULTANTS INTERNATIONAL (PCI) INTERNATIONAL DEVELOPMENT SYSTEM (IDS)		PACKAGE 2 CONSTRUCTION OF PORT FACILITIES AND BUILDINGS FOR THI VAI AREA						
REV NO	DATE	DESCRIPTION	BY	APP									



SECTION A-A
SC=1/50



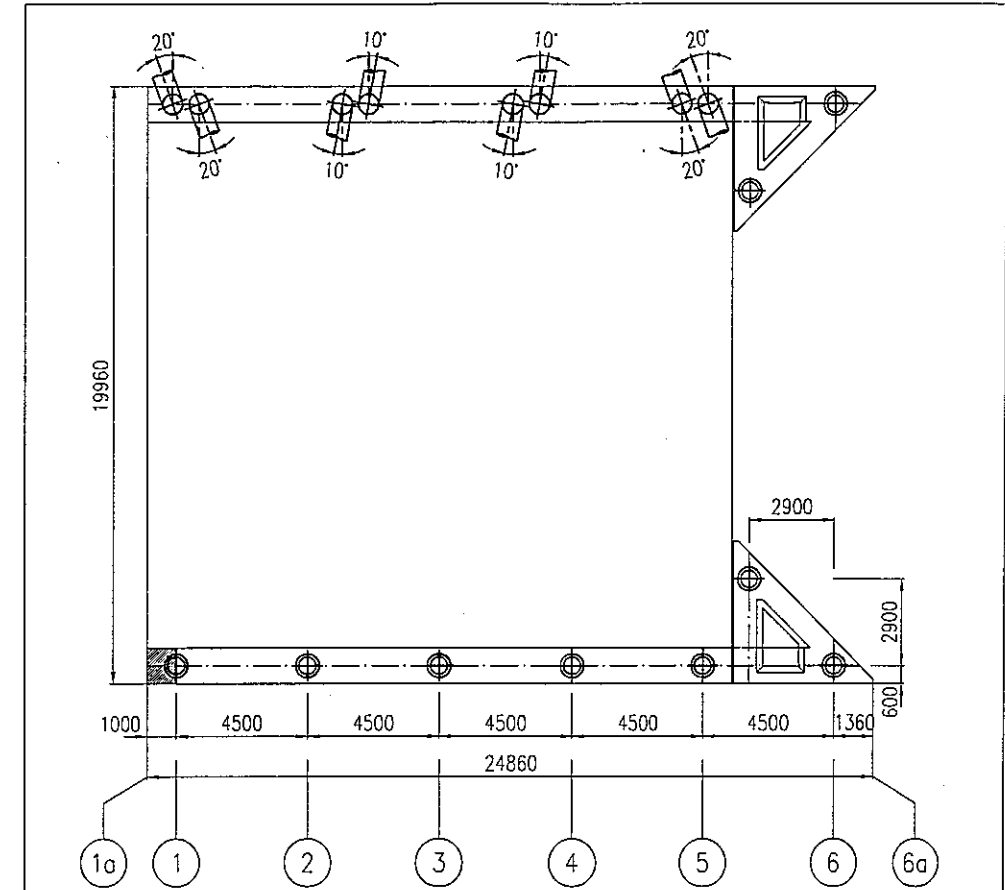
SECTION 1-1
SC=1/50



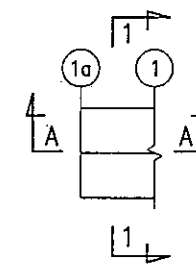
SECTION 1-1
SC=1/50

NOTES

- DIMENSIONS ARE IN MILLIMETER.
- ELEVATIONS ARE IN METER - CHART DATUM.

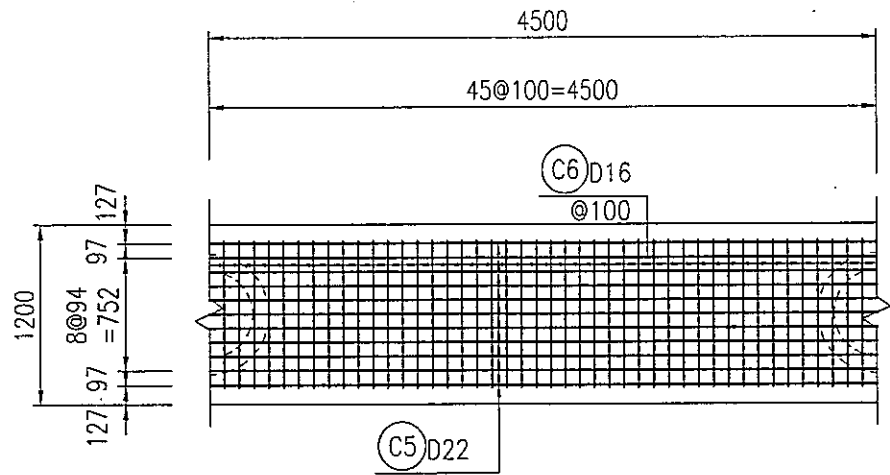
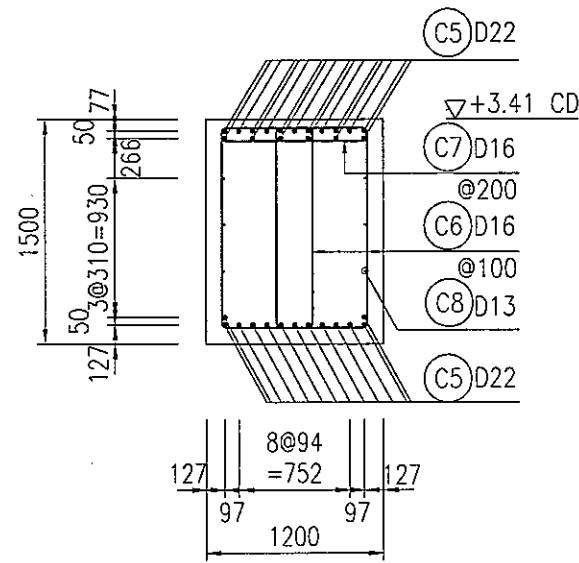
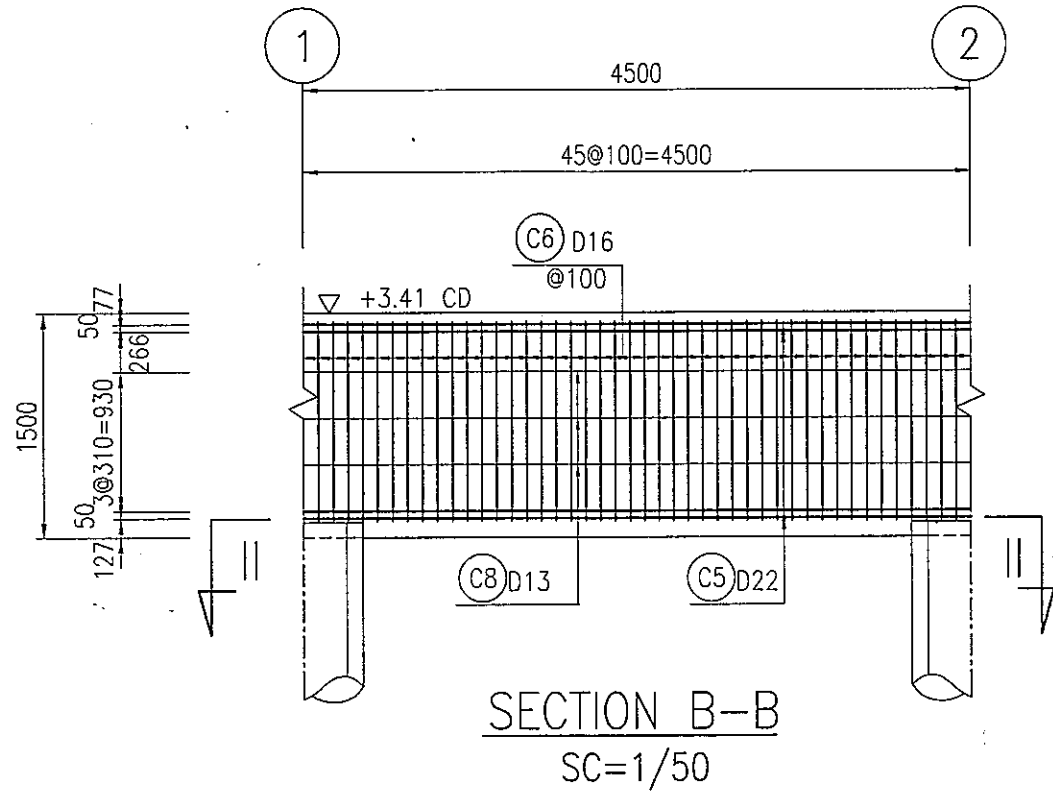


KEY PLAN



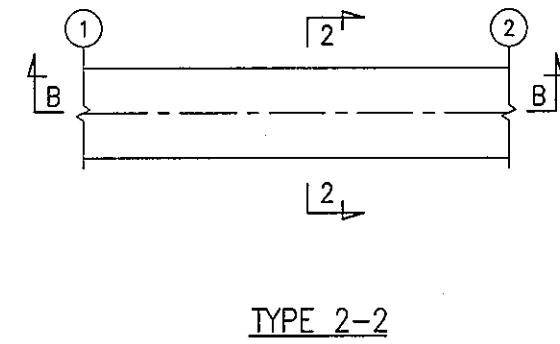
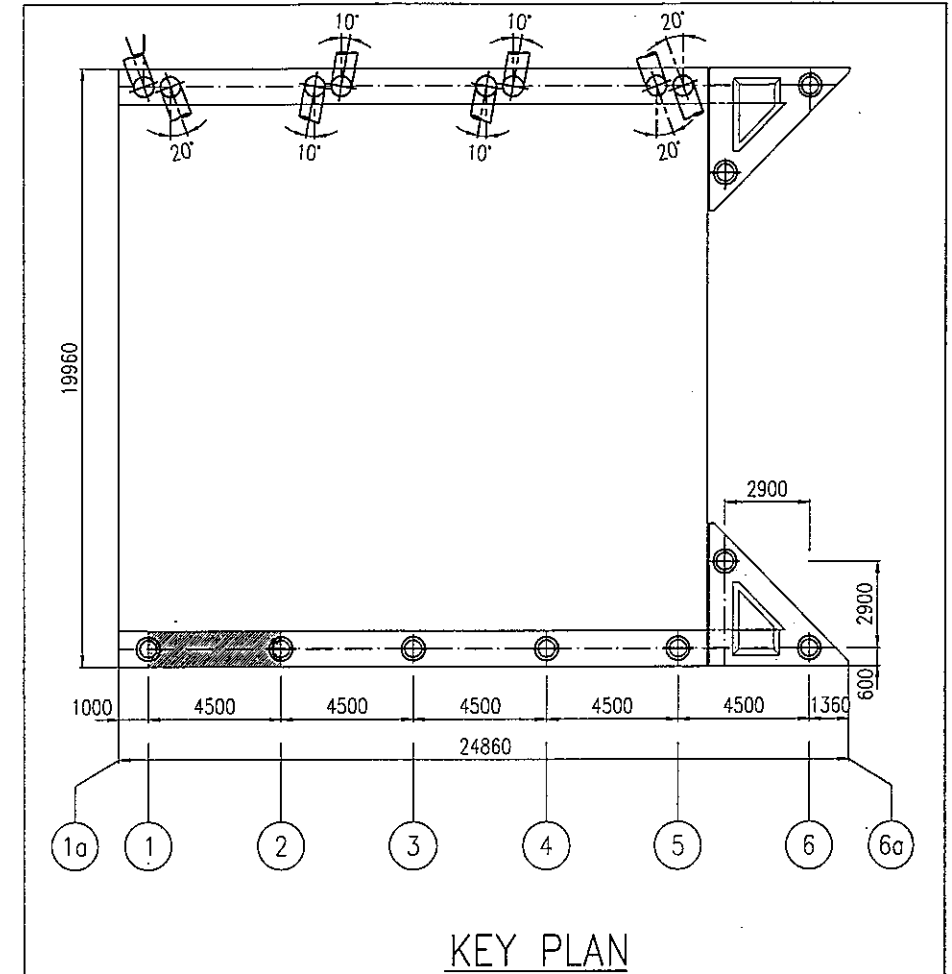
TYPE 1-1

					THE SOCIALIST REPUBLIC OF VIETNAM MINISTRY OF TRANSPORT PROJECT MANAGEMENT UNIT 85		CAI MEP - THI VAI INTERNATIONAL PORT CONSTRUCTION PROJECT		DESIGNED BY: BUI AN LOC		SECTION: CIVIL WORKS	
					JAPAN INTERNATIONAL COOPERATION AGENCY ASSIGNED TO: JAPAN PORT CONSULTANT (JPC) PACIFIC CONSULTANTS INTERNATIONAL (PCI) INTERNATIONAL DEVELOPMENT SYSTEM (IDS)		PACKAGE 2 CONSTRUCTION OF PORT FACILITIES AND BUILDINGS FOR THI VAI AREA		DRAWN BY: NGUYEN THI HAI AN		SUB-SECTION: TRESTLE	
					JICA		CHECKED BY: YOSHIDA Y.		APPROVED BY: NAGAI K.		TITLE OF DRAWING: STRUCTURE OF LAND SIDE ABUTMENT - TRESTLE 1 (1)	
					REV NO. DATE DESCRIPTION BY APP		ISSUE DATE: 15/SEP/2005		SCALE: 1/50, 1/100, 1/250		DWG NO.: PAC2-TV-TRS-020	
											REV. NO.	

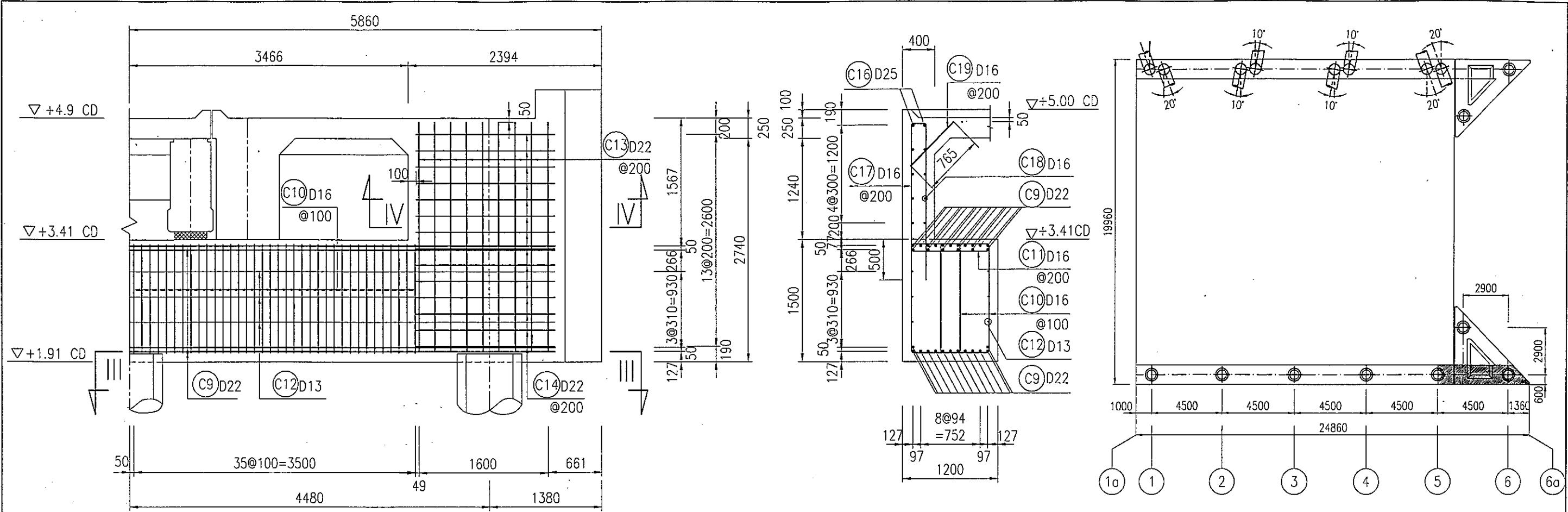


NOTES

- DIMENSIONS ARE IN MILLIMETER.
- ELEVATIONS ARE IN METER - CHART DATUM.



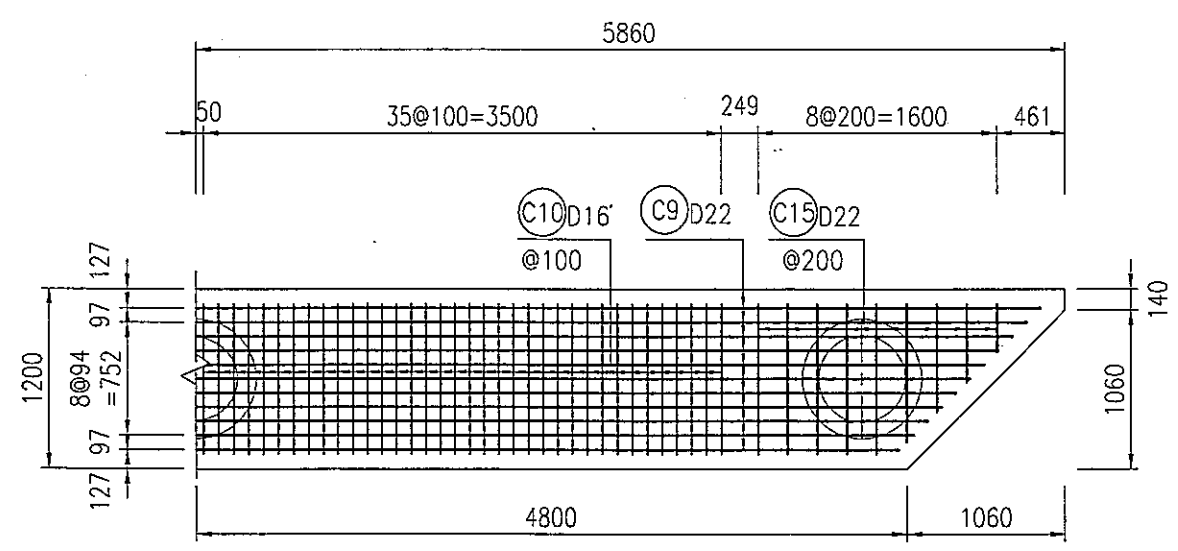
					THE SOCIALIST REPUBLIC OF VIETNAM MINISTRY OF TRANSPORT PROJECT MANAGEMENT UNIT 85		CAI MEP - THI VAI INTERNATIONAL PORT CONSTRUCTION PROJECT		DESIGNED BY: BUI AN LOC		SECTION: CIVIL WORKS	
					JAPAN INTERNATIONAL COOPERATION AGENCY ASSIGNED TO: JAPAN PORT CONSULTANT (JPC) PACIFIC CONSULTANTS INTERNATIONAL (PCI) INTERNATIONAL DEVELOPMENT SYSTEM (IDS)		PACKAGE 2 CONSTRUCTION OF PORT FACILITIES AND BUILDINGS FOR THI VAI AREA		DRAWN BY: NGUYEN THI HAI AN		SUB-SECTION: TRESTLE	
					JICA		APPROVED BY: NAGAI K.		CHECKED BY: YOSHIDA Y.		TITLE OF DRAWING: STRUCTURE OF LAND SIDE ABUTMENT - TRESTLE 1 (2)	
REV NO	DATE	DESCRIPTION	BY	APP			ISSUE DATE: 15/SEP/2005		DWG NO: PAC2-TV-TRS-021		REV. NO	
							SCALE: 1/50, 1/100, 1/250				PAC2-TV-TRS-021	



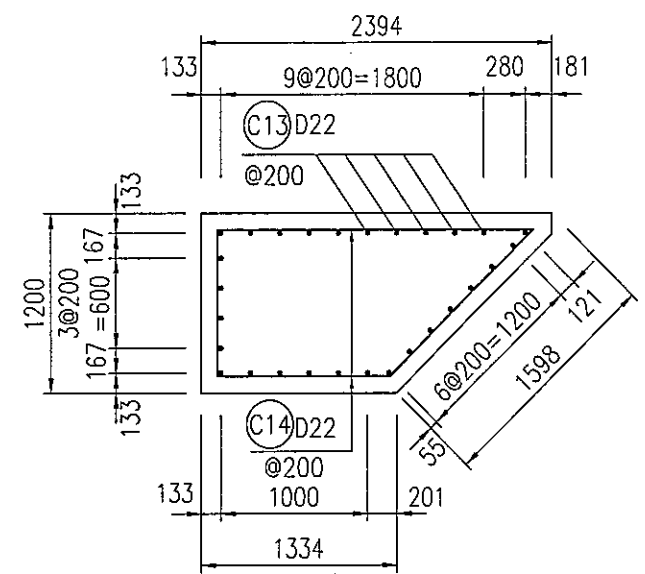
SECTION C-C
SC=1/50

SECTION 3-3
SC=1/50

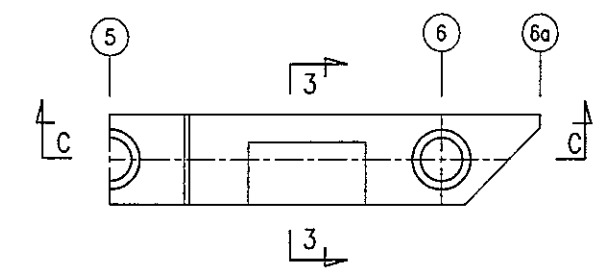
KEY PLAN



SECTION III-III
SC=1/50



SECTION IV-IV
SC=1/50

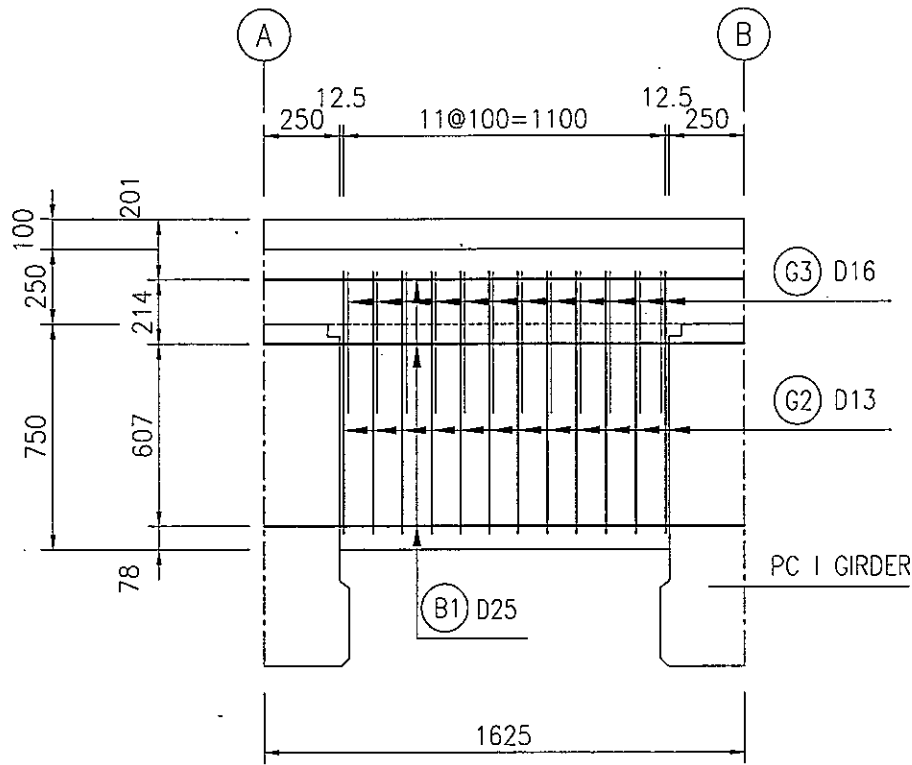


TYPE 3-3

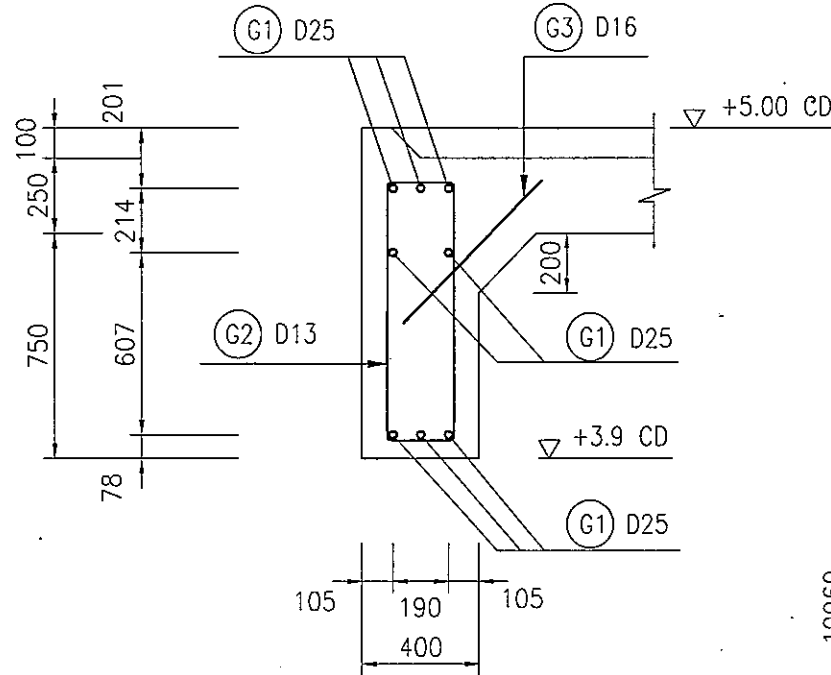
NOTES

- DIMENSIONS ARE IN MILLIMETER.
- ELEVATIONS ARE IN METER - CHART DATUM.

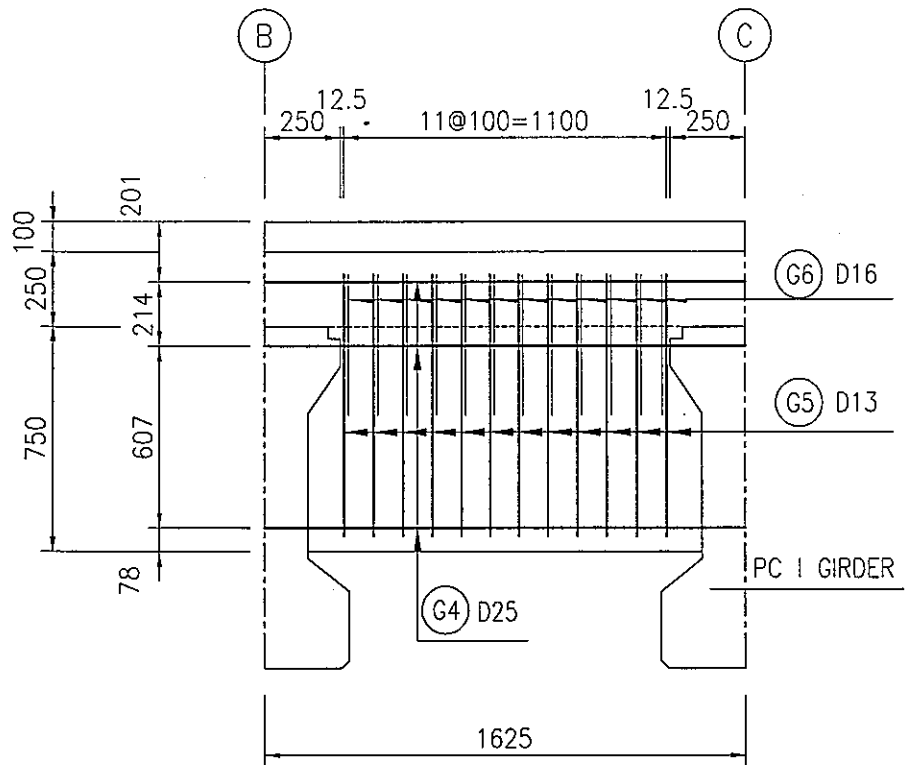
THE SOCIALIST REPUBLIC OF VIETNAM MINISTRY OF TRANSPORT PROJECT MANAGEMENT UNIT 85					CAI MEP - THI VAI INTERNATIONAL PORT CONSTRUCTION PROJECT		DESIGNED BY: BUI AN LOC DRAWN BY: NGUYEN THI HAI AN CHECKED BY: YOSHIDA Y. APPROVED BY: NAGAI K. ISSUE DATE: 15/SEP/2005 SCALE: 1/50, 1/100, 1/250		SECTION: CIVIL WORKS SUB-SECTION: TRESTLE TITLE OF DRAWING: STRUCTURE OF LAND SIDE ABUTMENT - TRESTLE-1 (3)	
JICA JAPAN INTERNATIONAL COOPERATION AGENCY ASSIGNED TO: JAPAN PORT CONSULTANT (JPC) PACIFIC CONSULTANTS INTERNATIONAL (PCI) INTERNATIONAL DEVELOPMENT SYSTEM (IDS)					PACKAGE 2 CONSTRUCTION OF PORT FACILITIES AND BUILDINGS FOR THI VAI AREA		DWG NO: PAC2-TV-TRS-022		REV. NO	
REV. NO	DATE	DESCRIPTION	BY	APP						



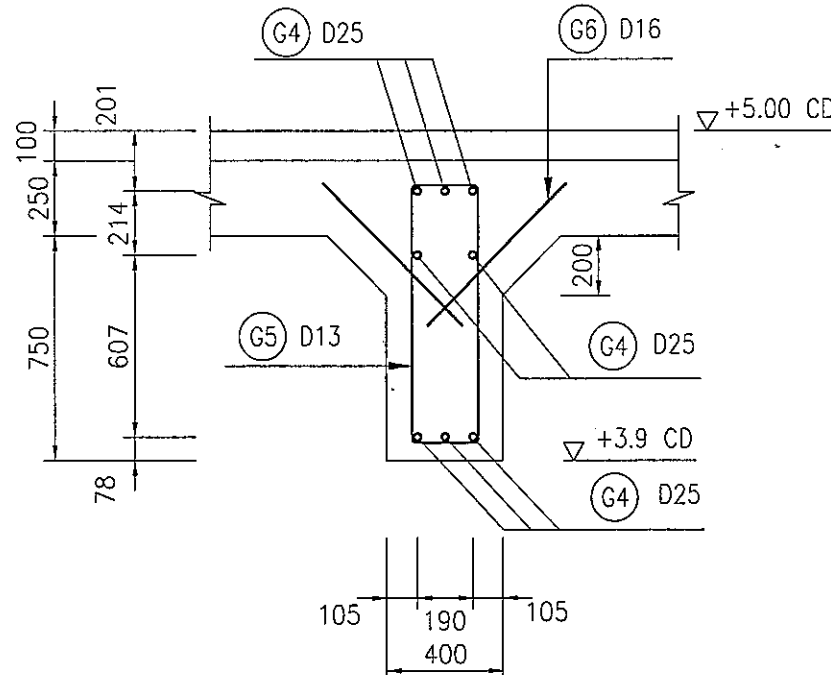
SECTION A-A
SC=1/25



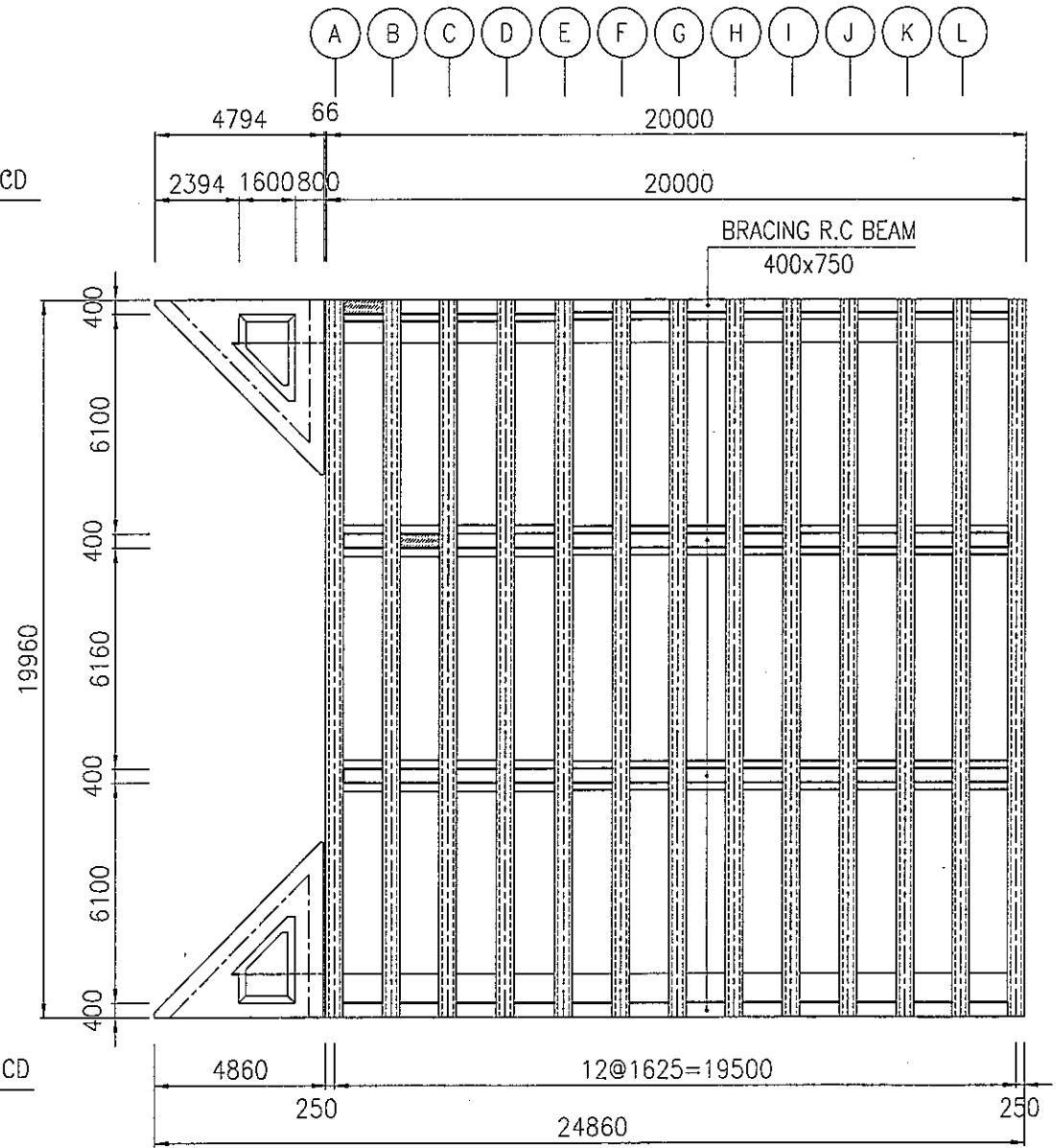
SECTION 1-1
SC=1/25



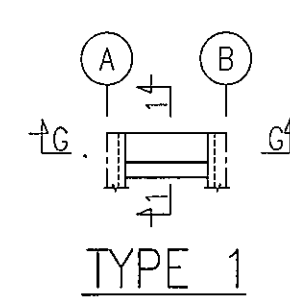
SECTION B-B
SC=1/25



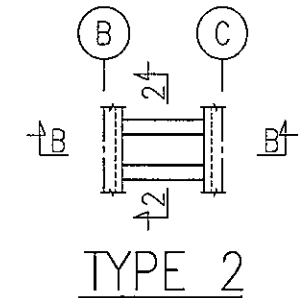
SECTION 2-2
SC=1/25



KEY PLAN (TRESTLE 1)
SC=1/200



TYPE 1

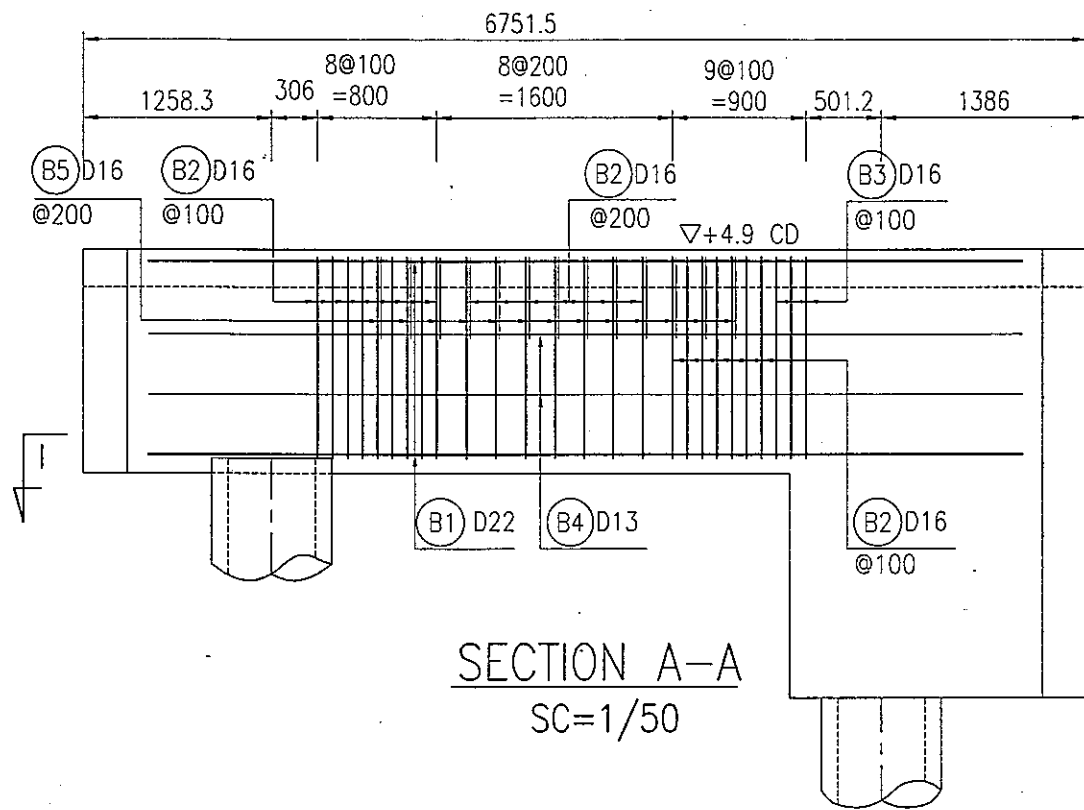


TYPE 2

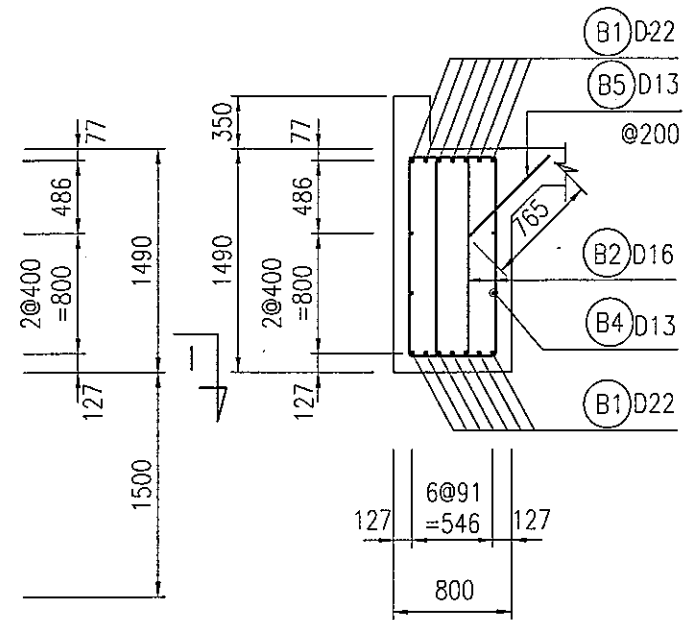
NOTES:

- DIMENSIONS ARE IN [MM].
- ELEVATION ARE IN [M]- CHART DATUM.

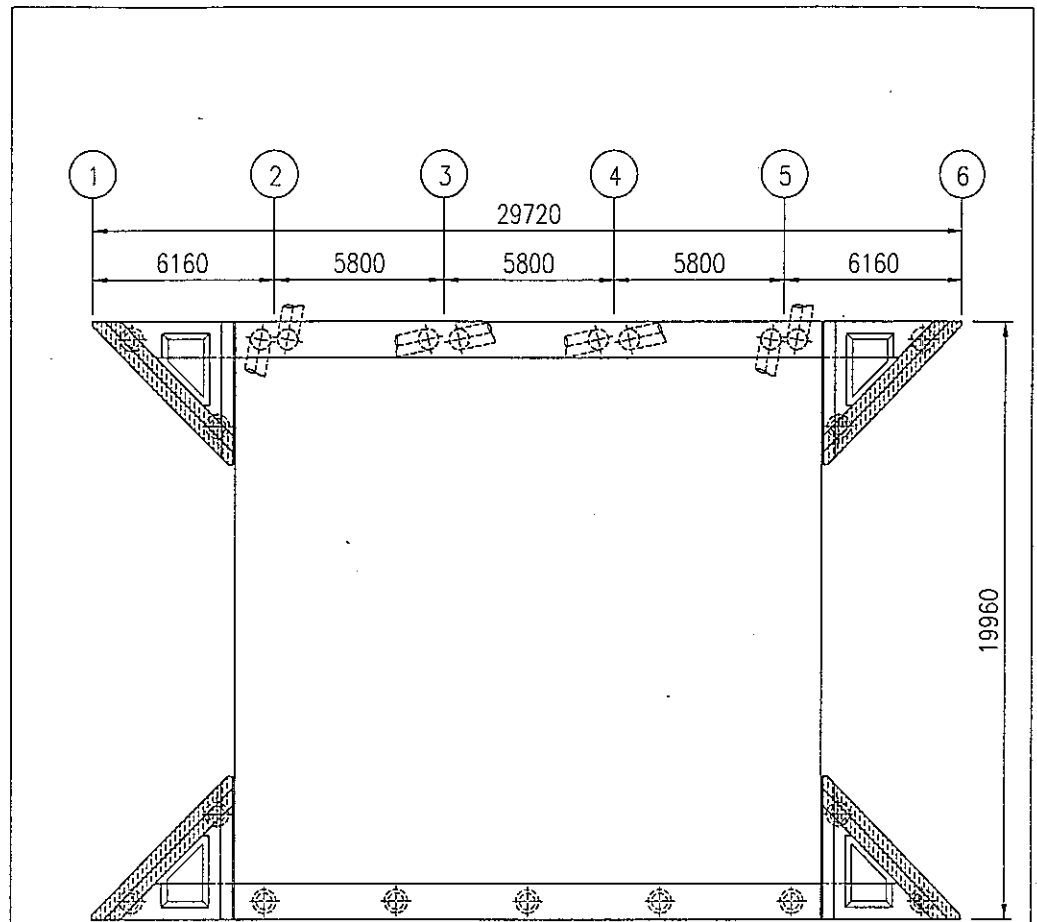
<p>THE SOCIALIST REPUBLIC OF VIETNAM MINISTRY OF TRANSPORT PROJECT MANAGEMENT UNIT 85</p>					<p>CAI MEP - THI VAI INTERNATIONAL PORT CONSTRUCTION PROJECT</p>		<p>DESIGNED BY: BUI AN LOC</p>		<p>SECTION: CIVIL WORKS</p>	
<p>JICA JAPAN INTERNATIONAL COOPERATION AGENCY ASSIGNED TO: JAPAN PORT CONSULTANT (JPC) PACIFIC CONSULTANTS INTERNATIONAL (PCI) INTERNATIONAL DEVELOPMENT SYSTEM (IDS)</p>					<p>PACKAGE 2 CONSTRUCTION OF PORT FACILITIES AND BUILDINGS FOR THI VAI AREA</p>		<p>DRAWN BY: MAI T HONG THAO</p>		<p>SUB-SECTION: TRESTLE</p>	
							<p>CHECKED BY: YOSHIDA Y.</p>		<p>TITLE OF DRAWING: STRUCTURE OF BRACING BEAM - TRESTLE1</p>	
							<p>APPROVED BY: NAGAI K.</p>		<p>DWG NO: PAC2-TV-TRS-023</p>	
							<p>ISSUE DATE: 15/SEP/2005</p>		<p>REV. NO</p>	
							<p>SCALE: 1/200, 1/25</p>			
REV. NO	DATE	DESCRIPTION	BY	APP						



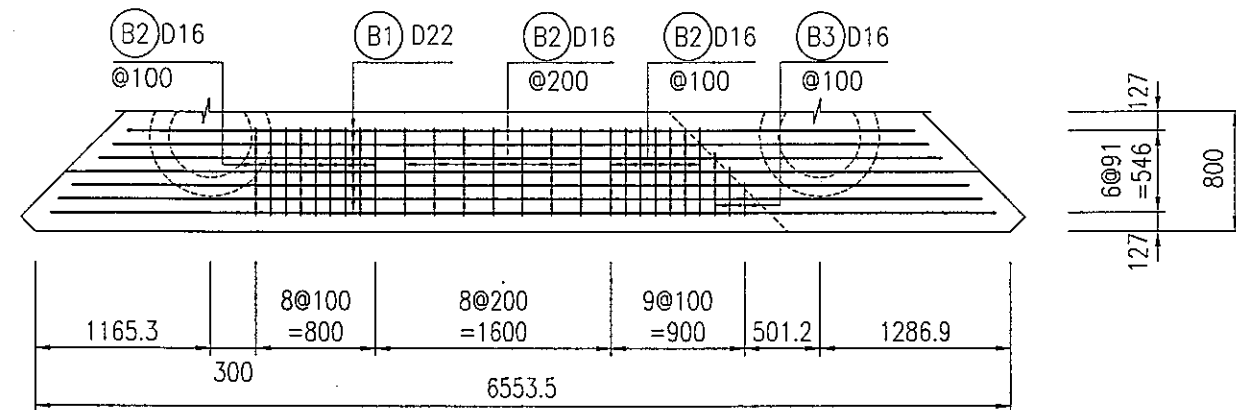
SECTION A-A
SC=1/50



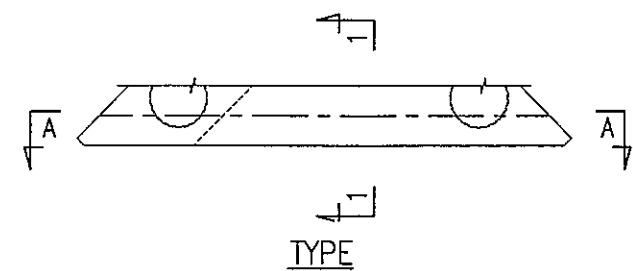
SECTION 1-1
SC=1/50



KEY PLAN



SECTION I-I
SC=1/50

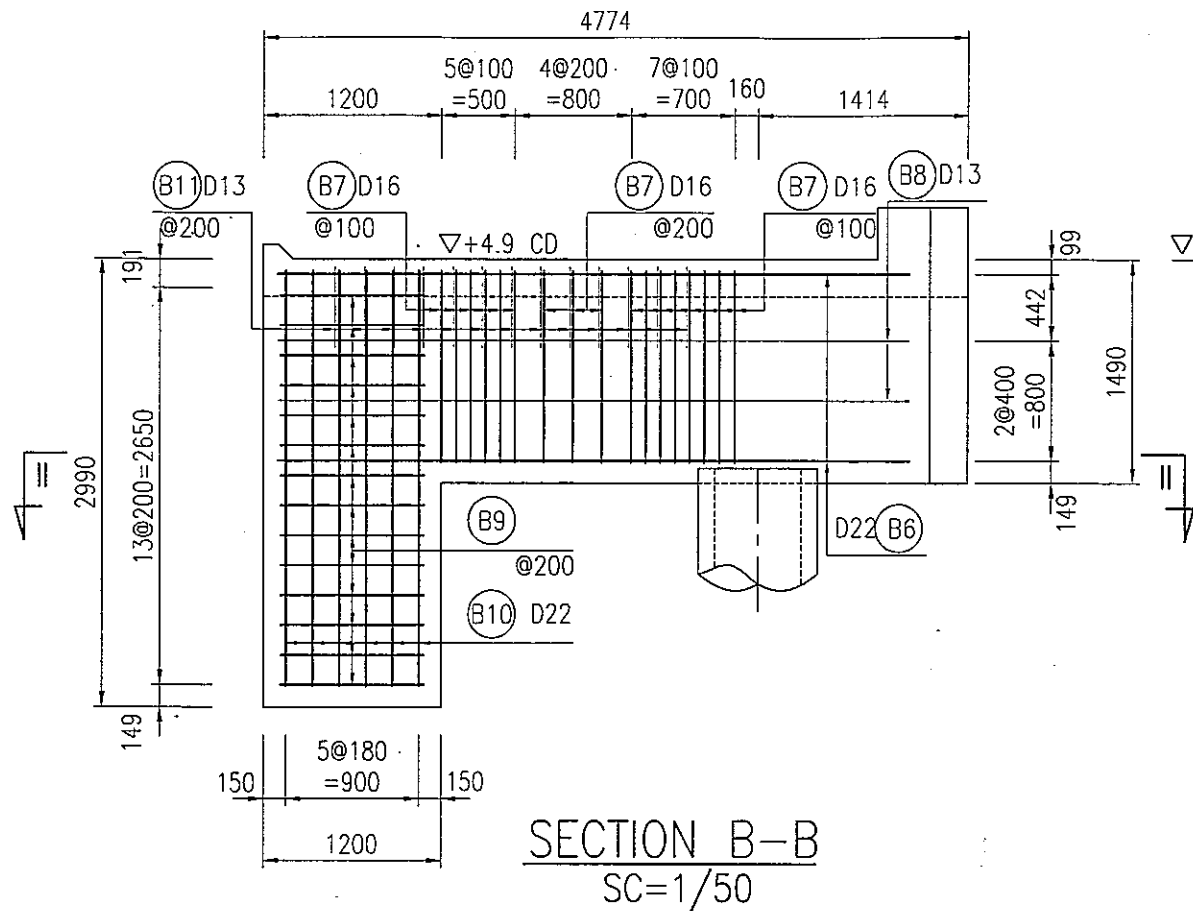


TYPE

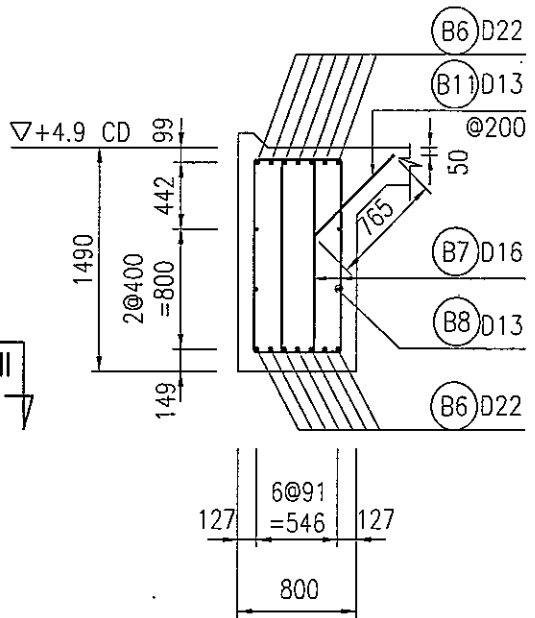
NOTES

- DIMENSIONS ARE IN MILLIMETER.
- ELEVATIONS ARE IN METER - CHART DATUM.

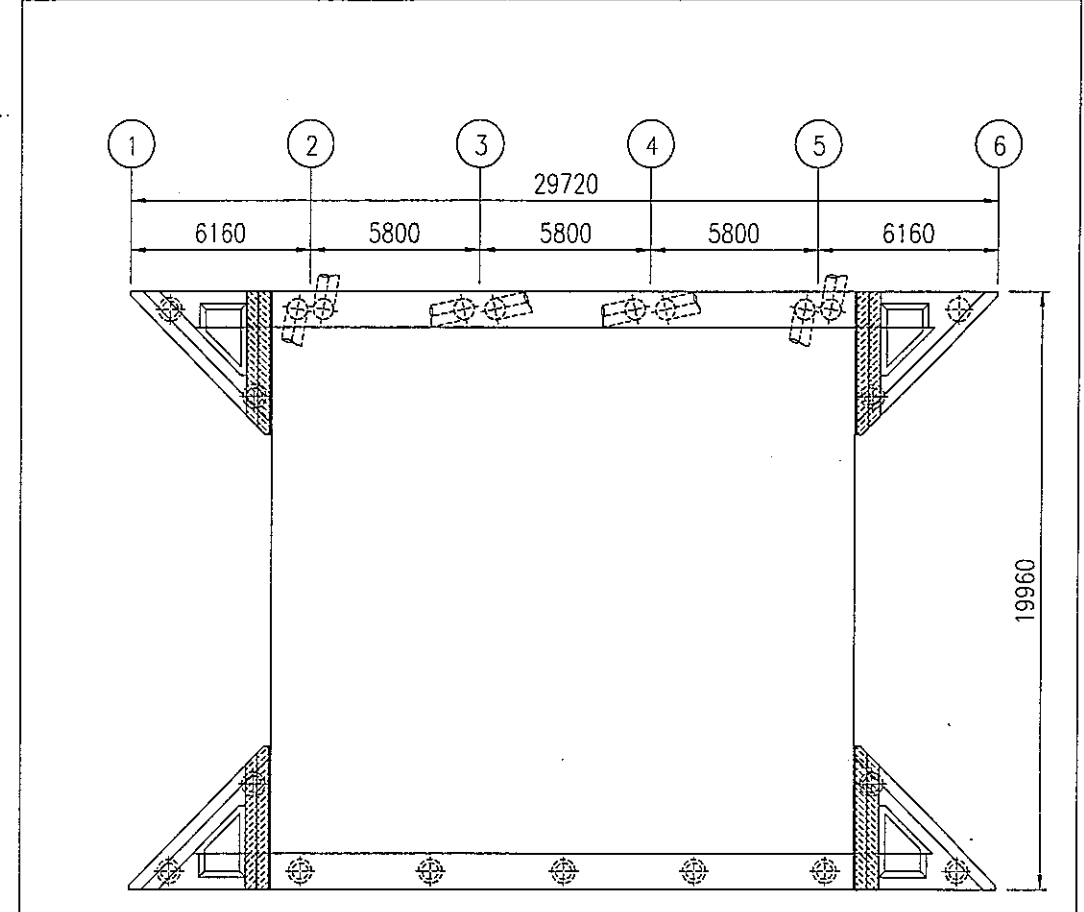
		THE SOCIALIST REPUBLIC OF VIETNAM MINISTRY OF TRANSPORT PROJECT MANAGEMENT UNIT #5		CAI MEP - THI VAI INTERNATIONAL PORT CONSTRUCTION PROJECT		DESIGNED BY: BUI AN LOC		SECTION: CIVIL WORKS	
		JICA JAPAN INTERNATIONAL COOPERATION AGENCY ASSIGNED TO: JAPAN PORT CONSULTANT (JPC) PACIFIC CONSULTANTS INTERNATIONAL (PCI) INTERNATIONAL DEVELOPMENT SYSTEM (IDS)		PACKAGE 2 CONSTRUCTION OF PORT FACILITIES AND BUILDINGS FOR THI VAI AREA		DRAWN BY: NGO SY DUNG		SUB-SECTION: TRESTLE	
						CHECKED BY: YOSHIDA Y.		TITLE OF DRAWING: STRUCTURE OF CORNER BEAM 1 - TRESTLE 2	
						APPROVED BY: NAGATA		DWG NO: PAC2-TV-TRS-024	
REV NO	DATE	DESCRIPTION	BY	APP		ISSUE DATE: 15/SEP/2005		REV. NO	
						SCALE: 1/50, 1/100, 1/250			



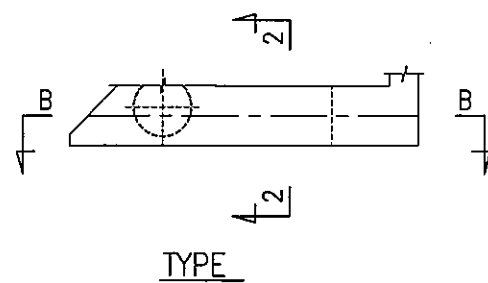
SECTION B-B
SC=1/50



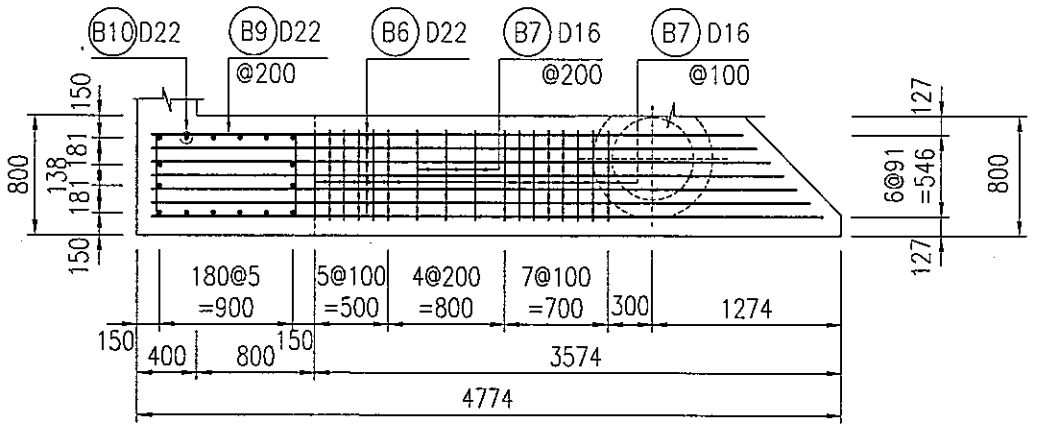
SECTION 2-2
SC=1/50



KEY PLAN



TYPE

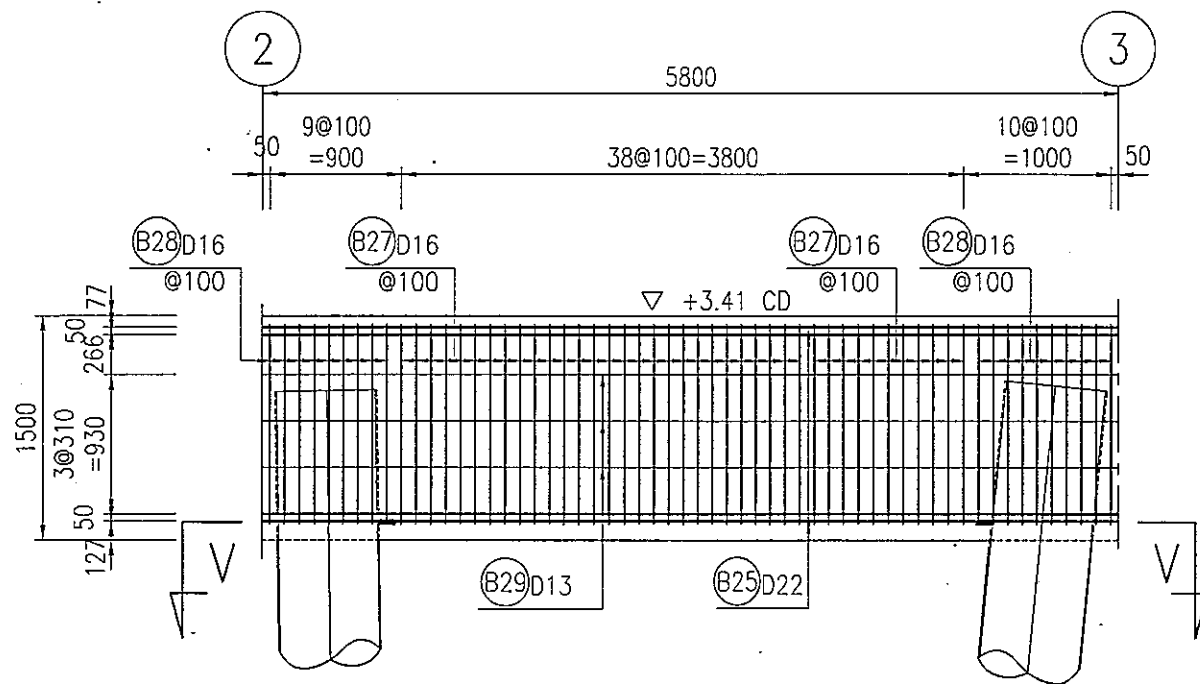


SECTION II-II
SC=1/50

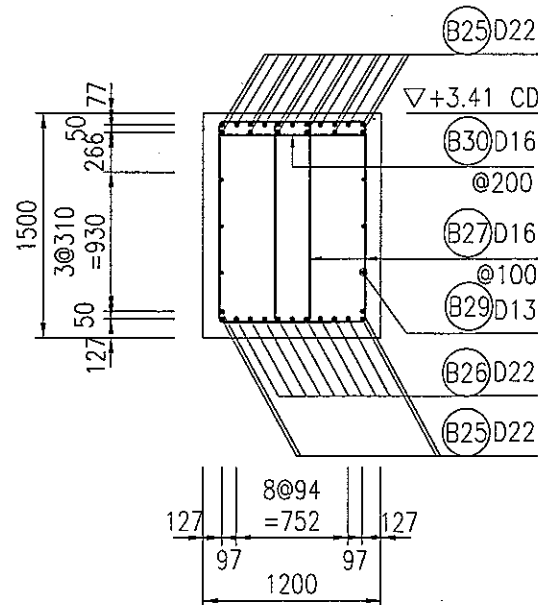
NOTES

- DIMENSIONS ARE IN MILLIMETER.
- ELEVATIONS ARE IN METER - CHART DATUM.

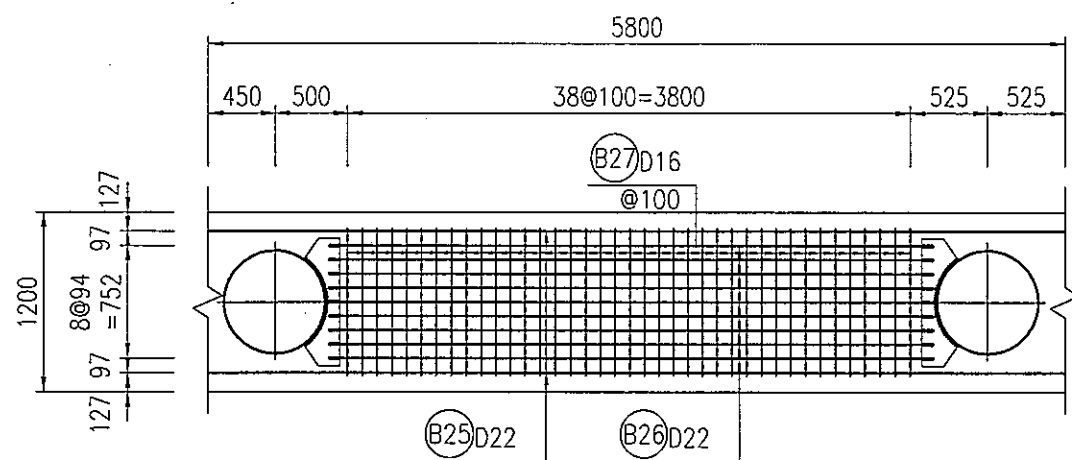
<p>THE SOCIALIST REPUBLIC OF VIETNAM MINISTRY OF TRANSPORT PROJECT MANAGEMENT UNIT 85</p>					<p>CAI MEP - THI VAI INTERNATIONAL PORT CONSTRUCTION PROJECT</p>			<p>DESIGNED BY: BUI AN LOC DRAWN BY: NGO SY DUONG CHECKED BY: YOSHIDA Y. APPROVED BY: NAGAKI ISSUE DATE: 15/SEP/2005 SCALE: 1/50, 1/100, 1/250</p>		<p>SECTION: CIVIL WORKS SUB-SECTION: TRESTLE TITLE OF DRAWING: STRUCTURE OF CORNER BEAM 2 - TRESTLE 2 DWG NO: PAC2-TV-TRS-025</p>	
<p>JICA JAPAN INTERNATIONAL COOPERATION AGENCY ASSIGNED TO: JAPAN PORT CONSULTANT (JPC) PACIFIC CONSULTANTS INTERNATIONAL (PCI) INTERNATIONAL DEVELOPMENT SYSTEM (IDS)</p>					<p>PACKAGE 2 CONSTRUCTION OF PORT FACILITIES AND BUILDINGS FOR THI VAI AREA</p>			<p>REV. NO</p>			
REV NO	DATE	DESCRIPTION	BY	APP							



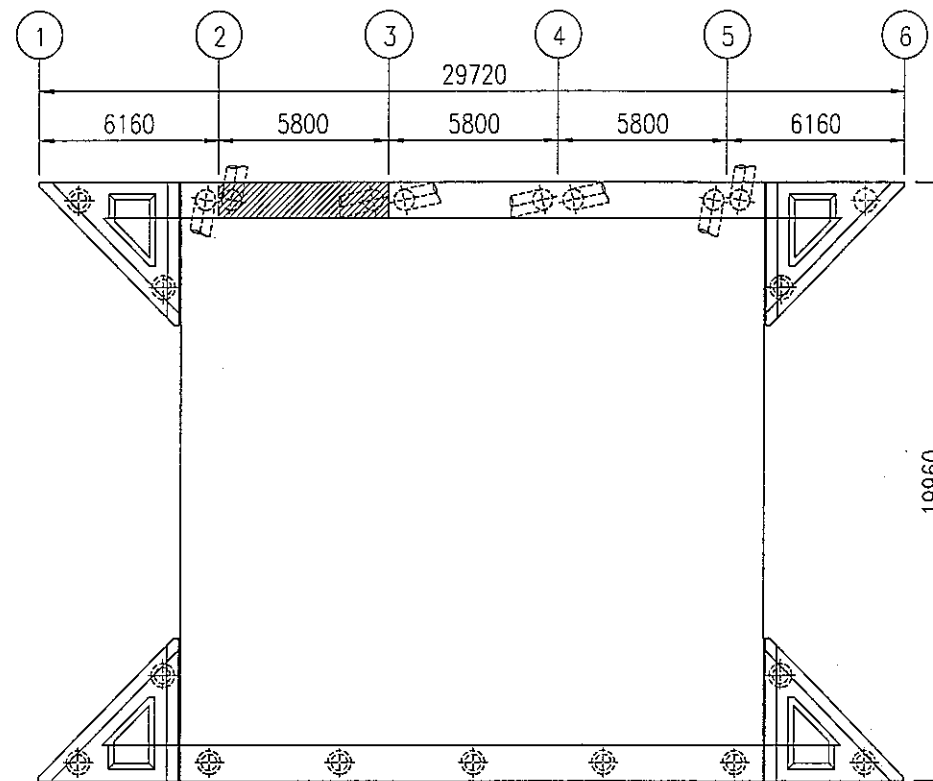
SECTION D-D
SC=1/50



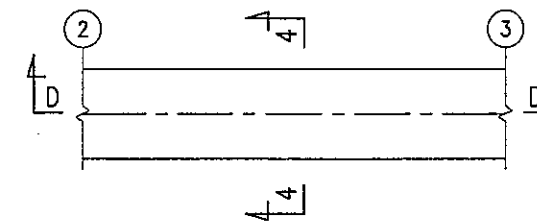
SECTION 4-4
SC=1/50



SECTION V-V
SC=1/50



KEY PLAN

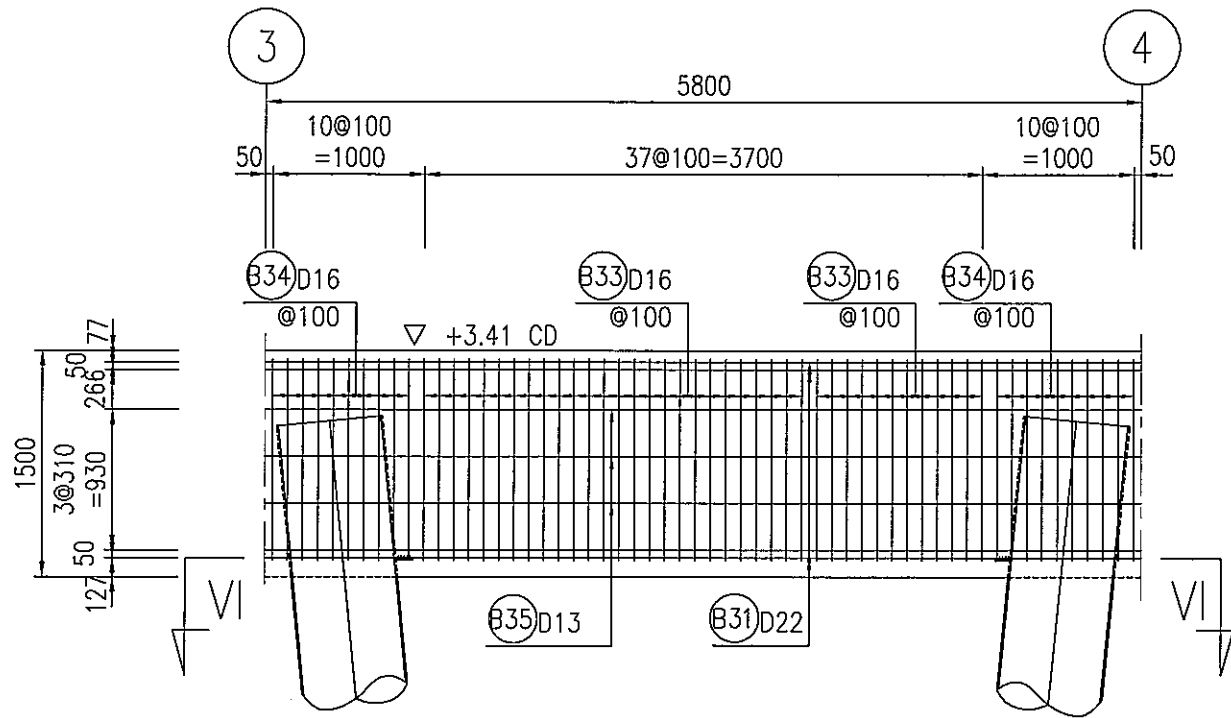


TYPE 2-3

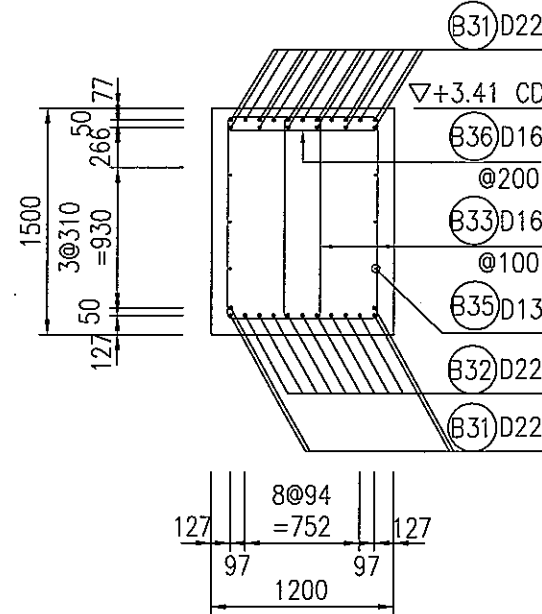
NOTES

- DIMENSIONS ARE IN MILLIMETER.
- ELEVATIONS ARE IN METER -- CHART DATUM.

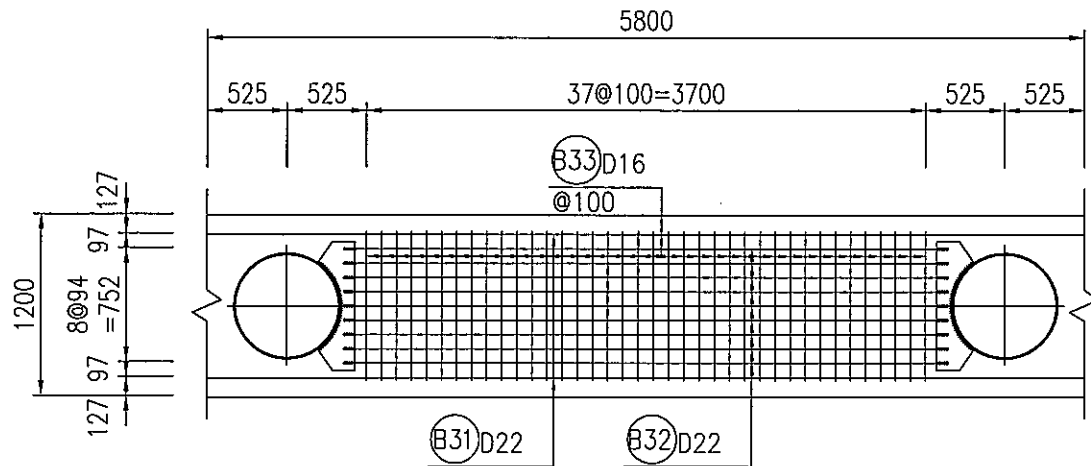
<p>THE SOCIALIST REPUBLIC OF VIETNAM MINISTRY OF TRANSPORT PROJECT MANAGEMENT UNIT 85</p>					<p>CAI MEP - THI VAI INTERNATIONAL PORT CONSTRUCTION PROJECT</p>		<p>DESIGNED BY: BUI AN LOC DRAWN BY: NGO SY BUNG CHECKED BY: KOSHIDA Y. APPROVED BY: NAGALK. ISSUE DATE: 15/SEP/2005</p>		<p>SECTION: CIVIL WORKS SUB-SECTION: TRESTLE TITLE OF DRAWING: STRUCTURE OF SEA SIDE ABUTMENT - TRESTLE 2 [2] DWG NO: PAC2-TV-TRS-027</p>	
<p>JICA JAPAN INTERNATIONAL COOPERATION AGENCY ASSIGNED TO: JAPAN PORT CONSULTANT (JPC) PACIFIC CONSULTANTS INTERNATIONAL (PCI) INTERNATIONAL DEVELOPMENT SYSTEM (IDS)</p>					<p>PACKAGE 2 CONSTRUCTION OF PORT FACILITIES AND BUILDINGS FOR THI VAI AREA</p>		<p>SCALE: 1/50, 1/100, 1/250</p>		<p>REV. NO</p>	
REV. NO	DATE	DESCRIPTION	BY	APP						



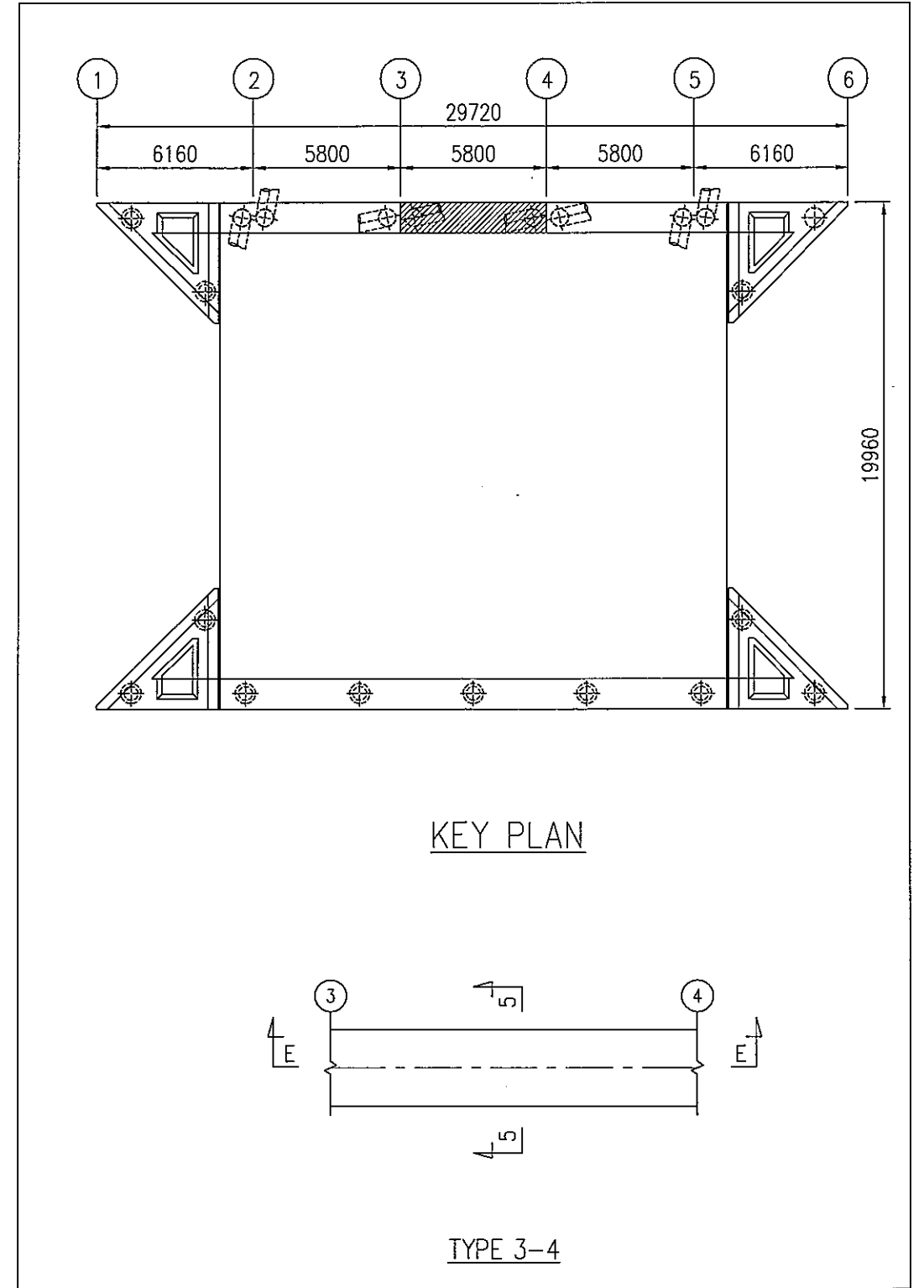
SECTION E-E
SC=1/50



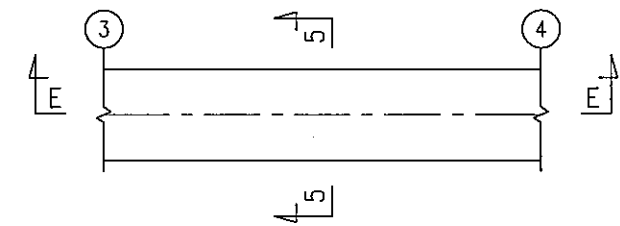
SECTION 5-5
SC=1/50



SECTION VI-VI
SC=1/50



KEY PLAN

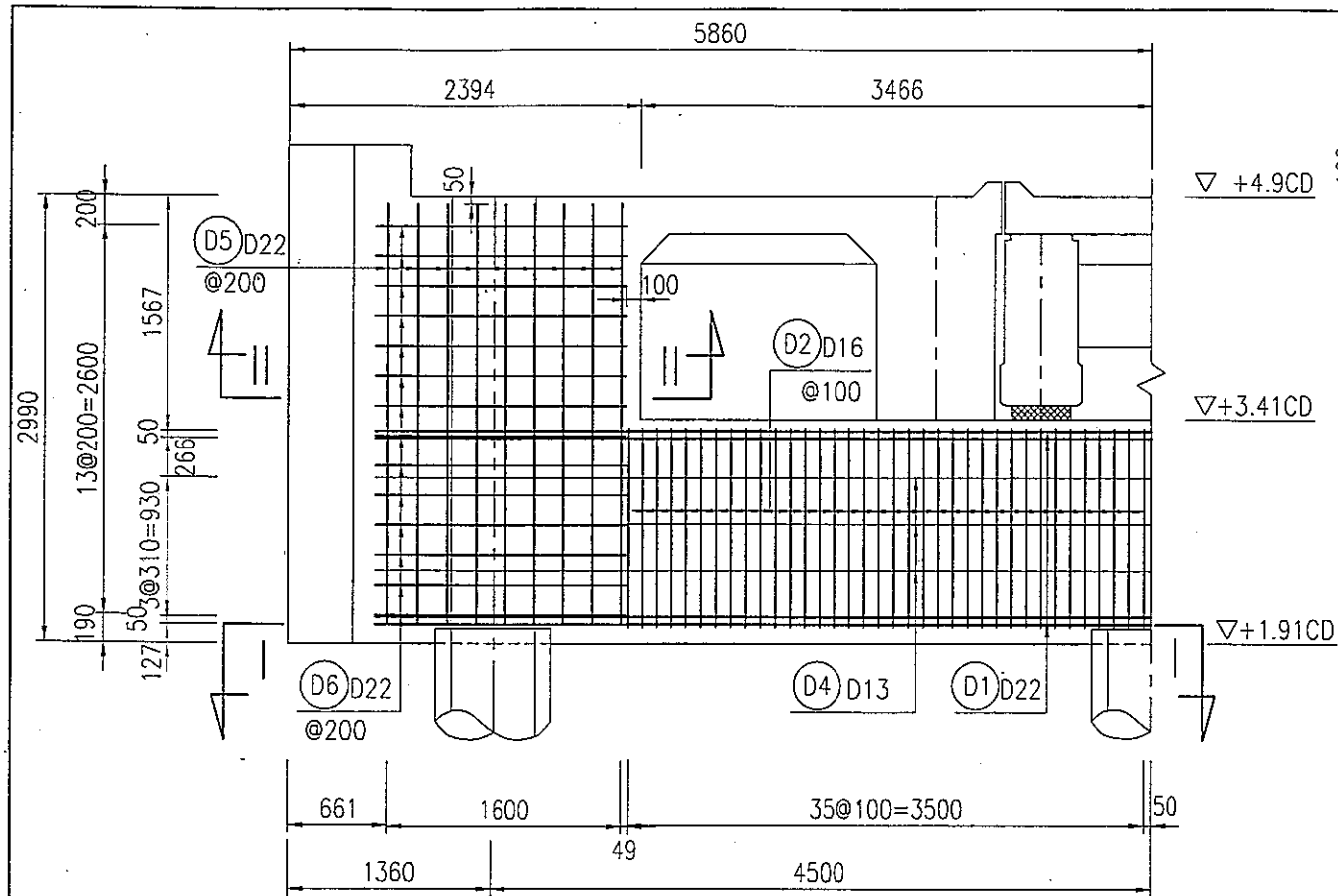


TYPE 3-4

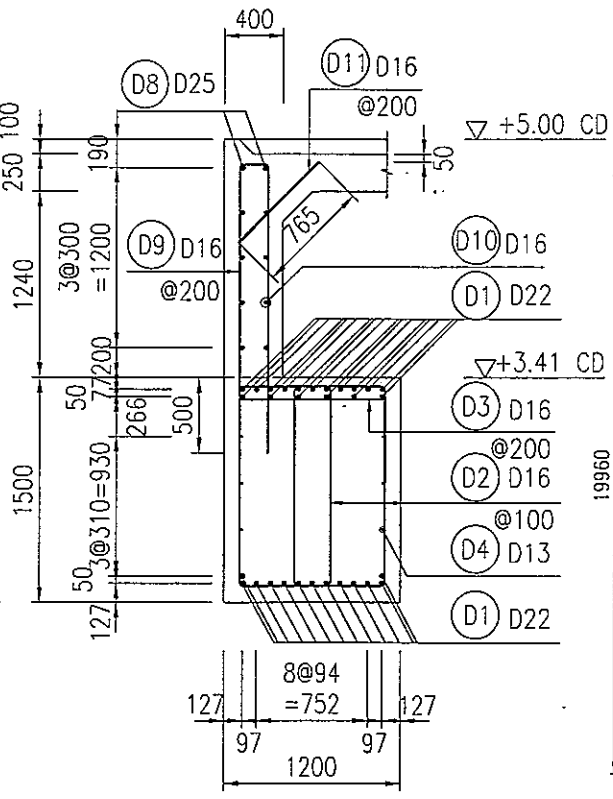
NOTES

- DIMENSIONS ARE IN MILLIMETER.
- ELEVATIONS ARE IN METER - CHART DATUM.

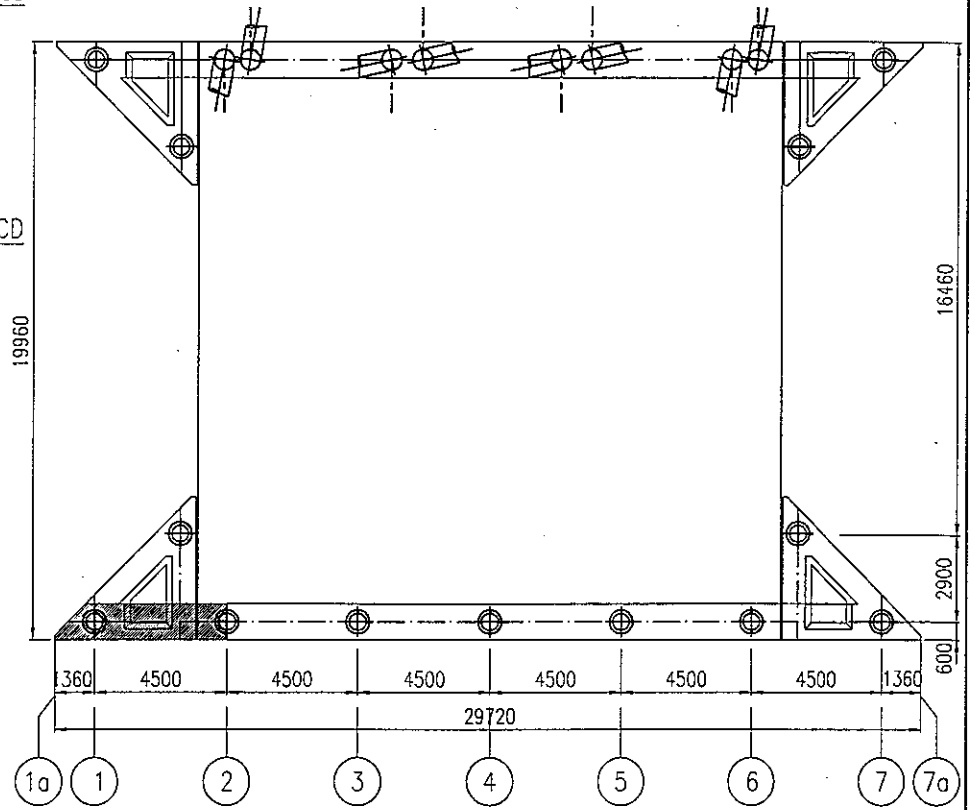
<p align="center">THE SOCIALIST REPUBLIC OF VIETNAM MINISTRY OF TRANSPORT PROJECT MANAGEMENT UNIT 85</p>					<p align="center">CAI MEP - THI VAI INTERNATIONAL PORT CONSTRUCTION PROJECT</p>		<p>DESIGNED BY: BLI AN LOC</p> <p>DRAWN BY: NGO SY DUNG</p> <p>CHECKED BY: YOSHIDA Y.</p> <p>APPROVED BY: NAGAI K.</p> <p>ISSUE DATE: 15/SEP/2005</p> <p>SCALE: 1/50, 1/100, 1/250</p>		<p>SECTION: CIVIL WORKS</p> <p>SUB-SECTION: TRESTLE</p> <p>TITLE OF DRAWING: STRUCTURE OF SEA SIDE ABUTMENT - TRESTLE 2 [3]</p> <p>DWG NO: PAC2-TV-TRS-028</p> <p>REV. NO</p>	
<p align="center">JICA JAPAN INTERNATIONAL COOPERATION AGENCY ASSIGNED TO: JAPAN PORT CONSULTANT (JPC) PACIFIC CONSULTANTS INTERNATIONAL (PCI) INTERNATIONAL DEVELOPMENT SYSTEM (IDS)</p>					<p align="center">PACKAGE 2 CONSTRUCTION OF PORT FACILITIES AND BUILDINGS FOR THI VAI AREA</p>					
REVNO	DATE	DESCRIPTION	BY	APP						



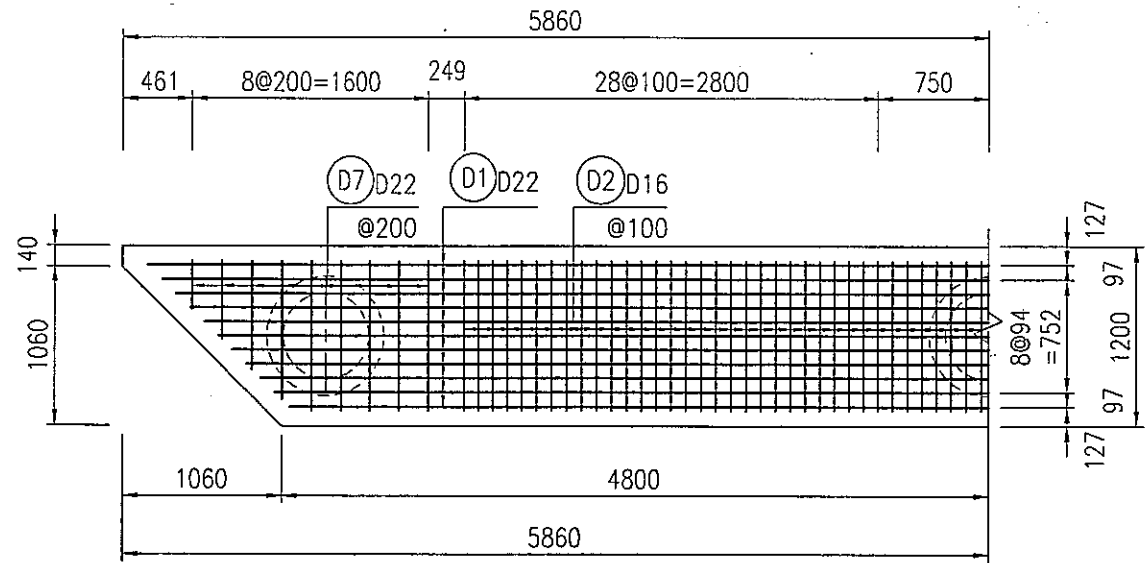
SECTION A-A
SC=1/50



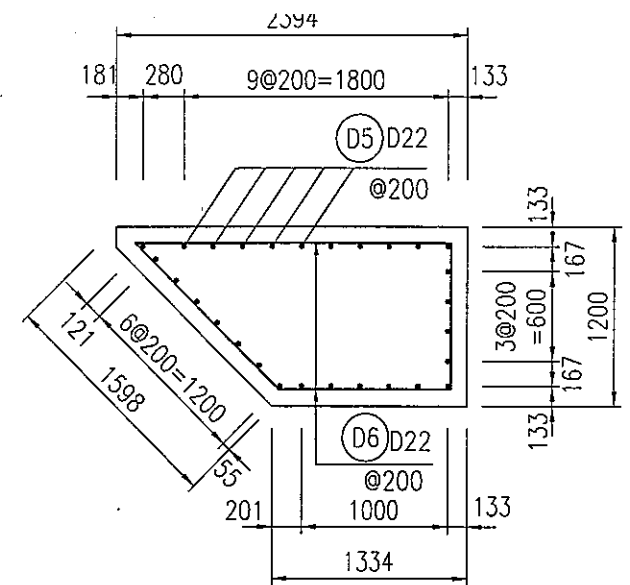
SECTION 1-1
SC=1/50



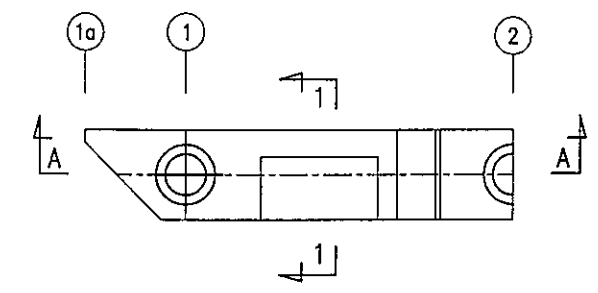
KEY PLAN



SECTION I-I
SC=1/50



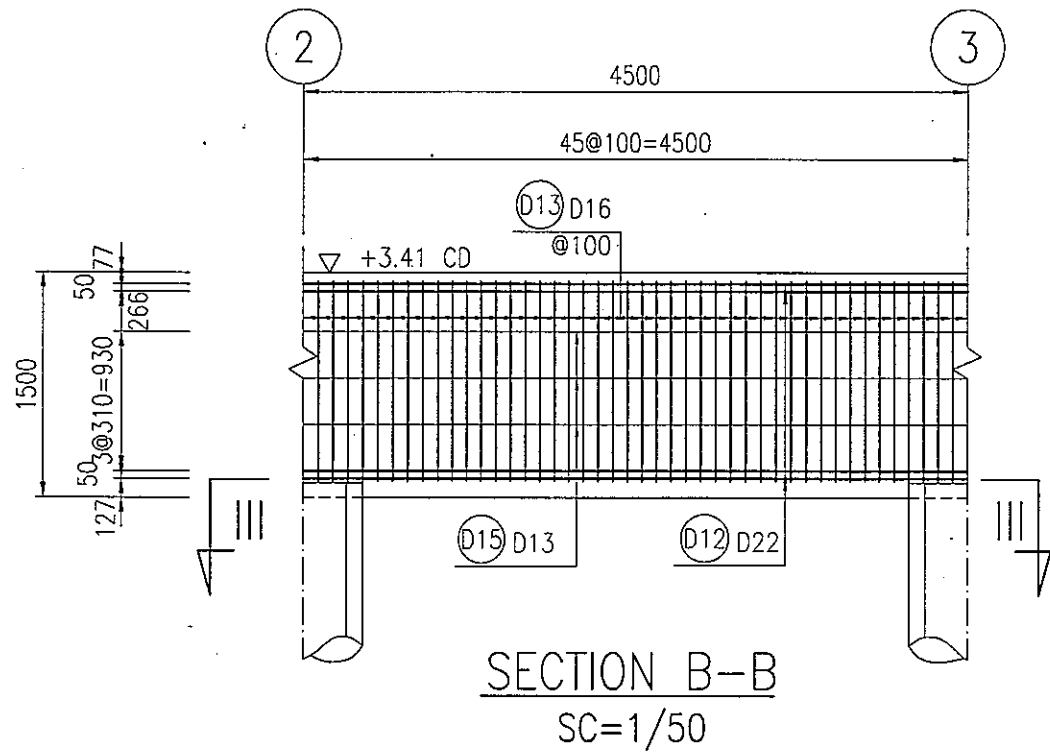
SECTION II-II
SC=1/50



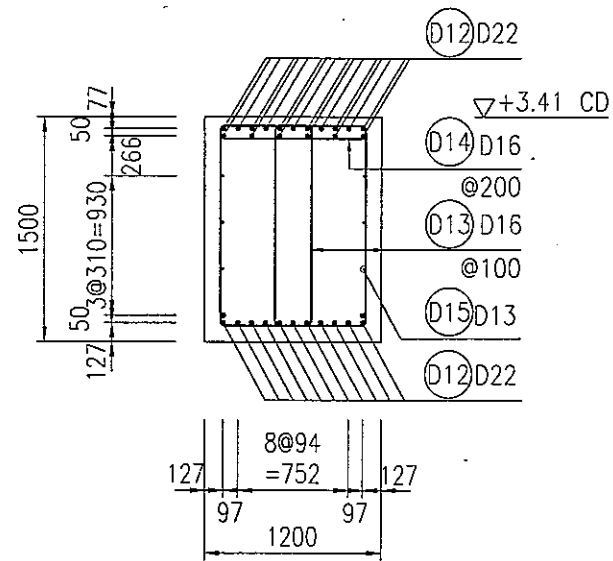
TYPE 1-1

NOTES
 - DIMENSIONS ARE IN MILLIMETER.
 - ELEVATIONS ARE IN METER - CHART DATUM.

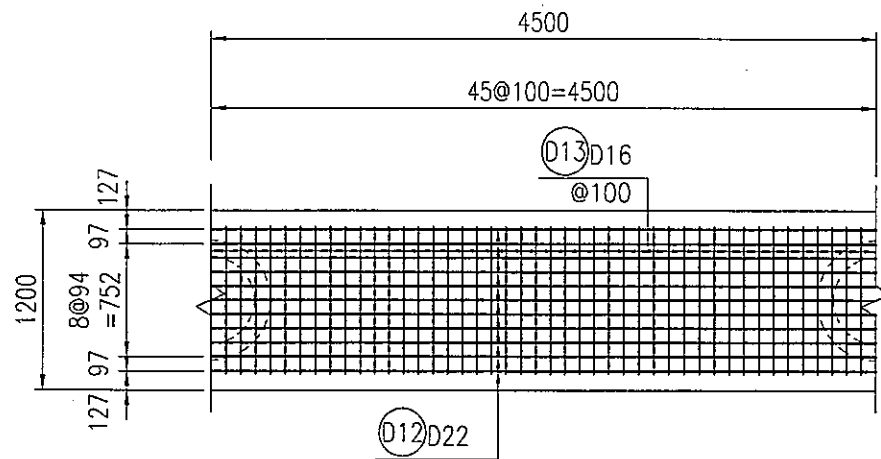
THE SOCIALIST REPUBLIC OF VIETNAM MINISTRY OF TRANSPORT PROJECT MANAGEMENT UNIT 85					CAI MEP - THI VAI INTERNATIONAL PORT CONSTRUCTION PROJECT		DESIGNED BY: BUI AN LOC		SECTION: CIVIL WORKS	
JAPAN INTERNATIONAL COOPERATION AGENCY ASSIGNED TO: JAPAN PORT CONSULTANT (JPC) PACIFIC CONSULTANTS INTERNATIONAL (PCI) INTERNATIONAL DEVELOPMENT SYSTEM (IDS)					PACKAGE 2 CONSTRUCTION OF PORT FACILITIES AND BUILDINGS FOR THI VAI AREA		DRAWN BY: NGUYEN THI HAI AN		SUB-SECTION: TRESTLE	
					APPROVED BY: NAGAI K.		CHECKED BY: YOSHIDA Y.		TITLE OF DRAWING: STRUCTURE OF LAND SIDE ABUTMENT - TRESTLE 2 (1)	
REV NO DATE DESCRIPTION BY APP					ISSUE DATE: 15/SEP/2005		SCALE: 1/50, 1/100, 1/250		DWG NO: PAC2-TV-TRS-029	
									REV. NO	



SECTION B-B
SC=1/50



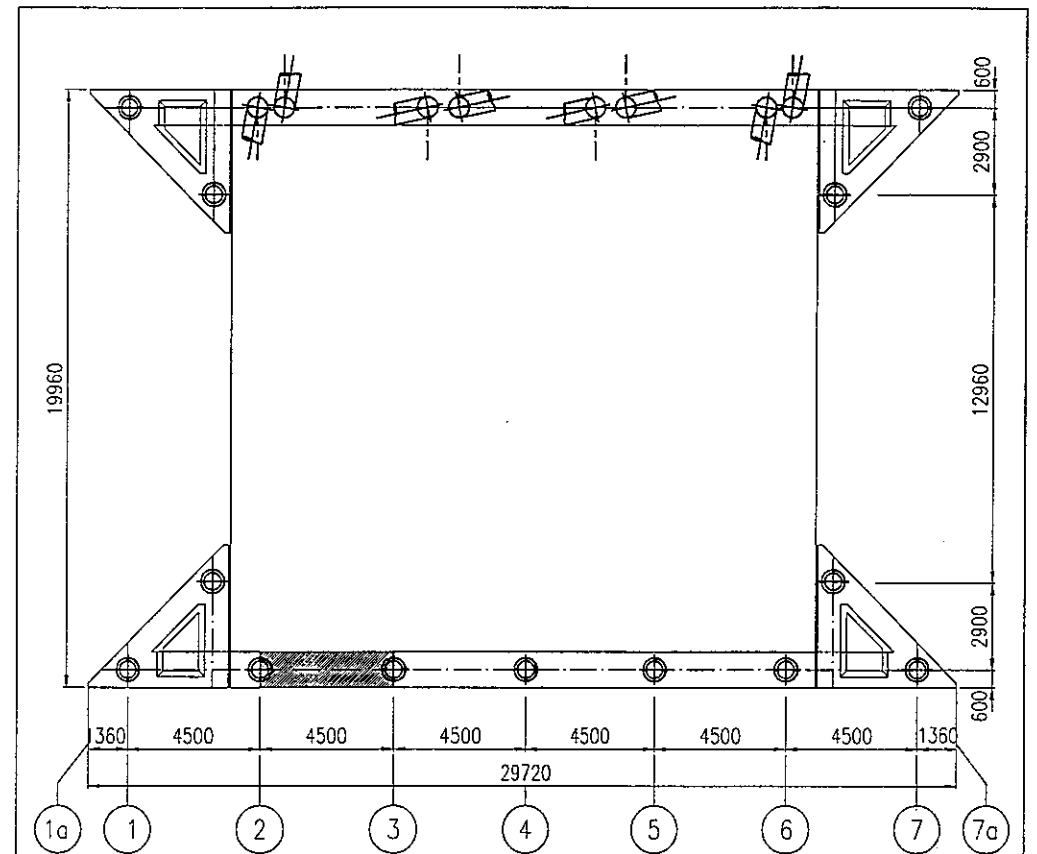
SECTION 2-2
SC=1/50



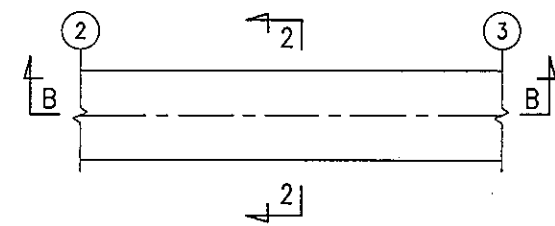
SECTION III-III
SC=1/50

NOTES

- DIMENSIONS ARE IN MILLIMETER.
- ELEVATIONS ARE IN METER - CHART DATUM.

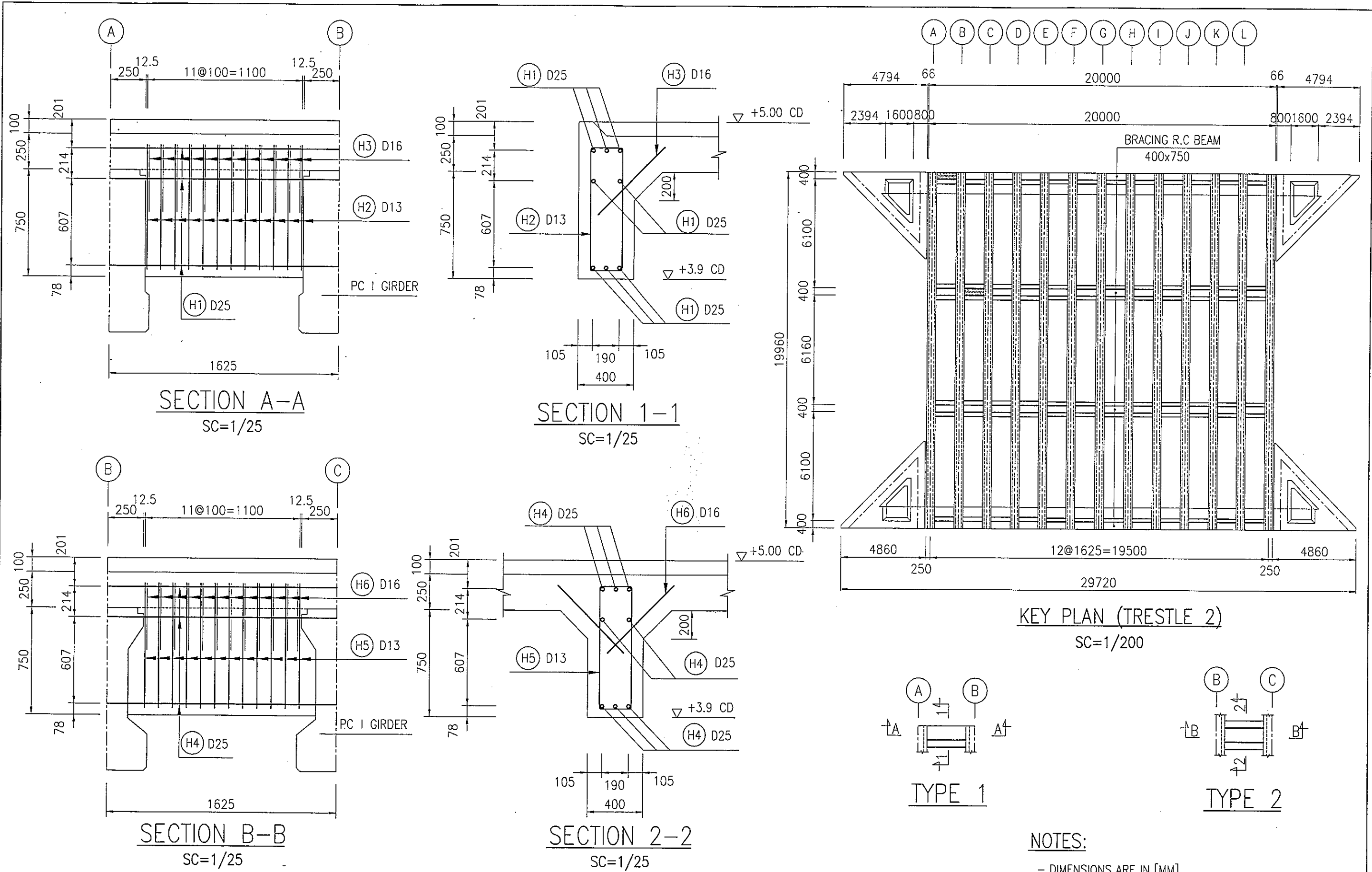


KEY PLAN



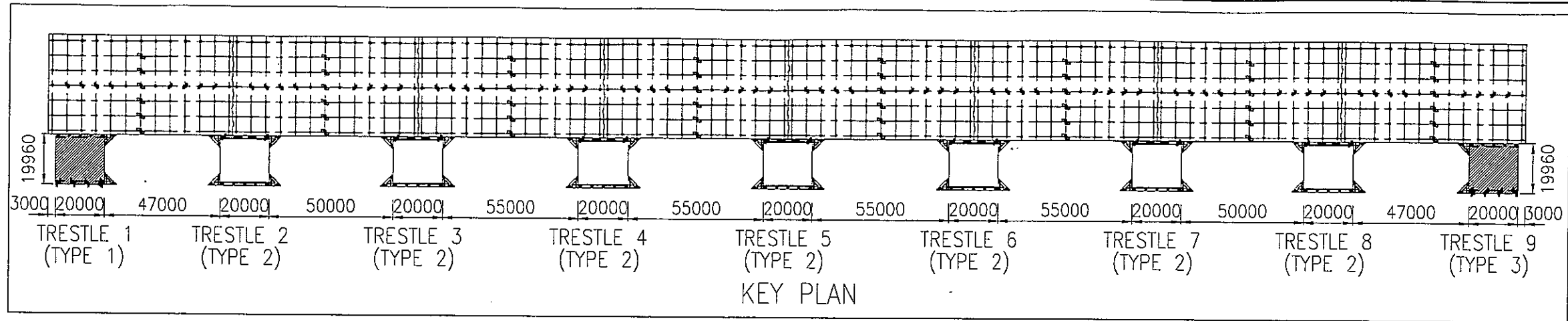
TYPE 2-2

					THE SOCIALIST REPUBLIC OF VIETNAM MINISTRY OF TRANSPORT PROJECT MANAGEMENT UNIT 85		CAI MEP - THI VAI INTERNATIONAL PORT CONSTRUCTION PROJECT		DESIGNED BY: BUI AN LOC		SECTION: CIVIL WORKS	
					JAPAN INTERNATIONAL COOPERATION AGENCY ASSIGNED TO: JAPAN PORT CONSULTANT (JPC) PACIFIC CONSULTANTS INTERNATIONAL (PCI) INTERNATIONAL DEVELOPMENT SYSTEM (IDS)		PACKAGE 2 CONSTRUCTION OF PORT FACILITIES AND BUILDINGS FOR THI VAI AREA		DRAWN BY: NGUYEN THI HAI AN		SUB-SECTION: TRESTLE	
							SCALE: 1/50, 1/100, 1/250		CHECKED BY: YOSHIDA Y.		TITLE OF DRAWING: STRUCTURE OF LAND SIDE ABUTMENT - TRESTLE 2 (2)	
									APPROVED BY: NAGAI K.		DWG NO.: PAC2-TV-TRS-030	
									ISSUE DATE: 15/SEP/2005		REV. NO	
REV NO	DATE	DESCRIPTION	BY	APP								

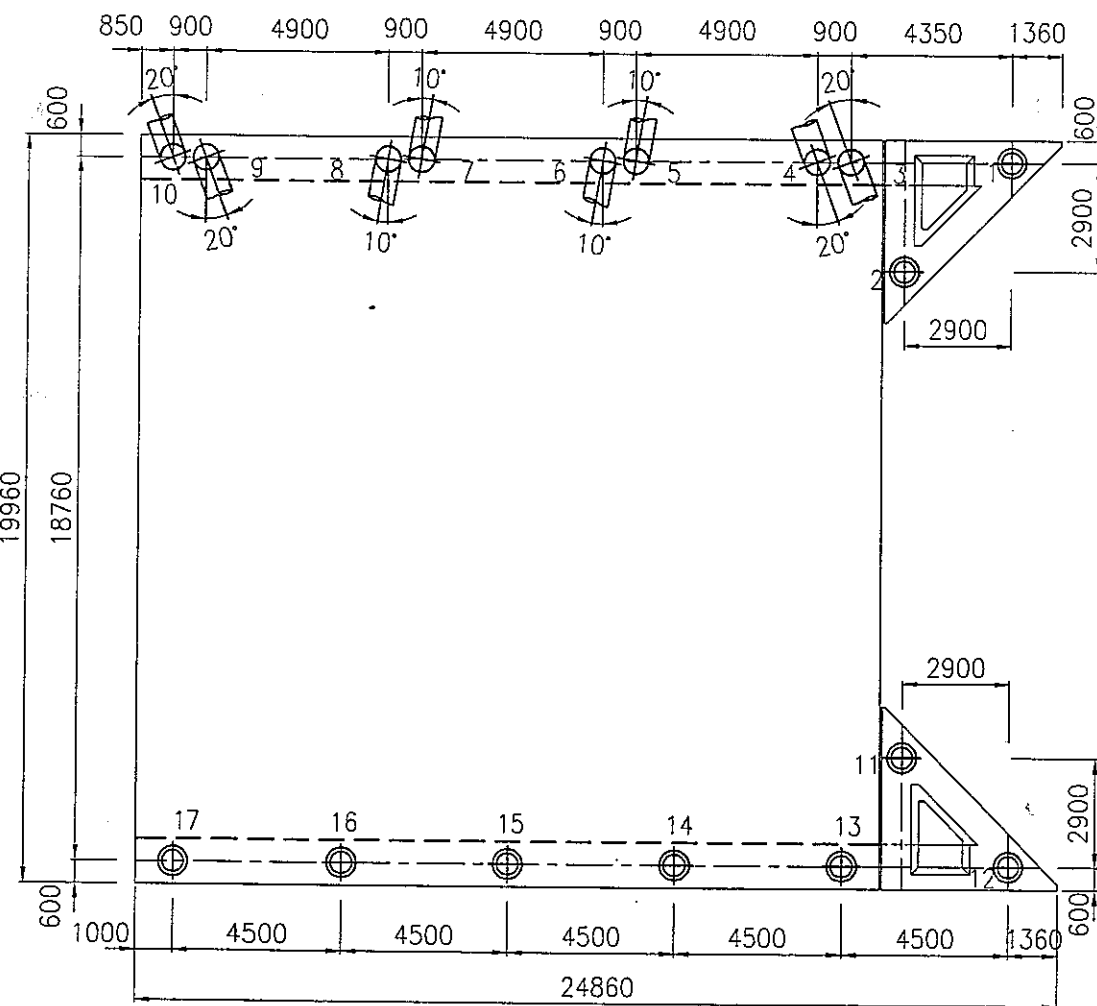


NOTES:
 - DIMENSIONS ARE IN [MM].
 - ELEVATION ARE IN [M]- CHART DATUM.

<p>THE SOCIALIST REPUBLIC OF VIETNAM MINISTRY OF TRANSPORT PROJECT MANAGEMENT UNIT 85 </p>					<p>CAI MEP - THI VAI INTERNATIONAL PORT CONSTRUCTION PROJECT</p>			<p>DESIGNED BY: BUI AN LOC <i>Al</i> DRAWN BY: MAI THONG THAO <i>Ma</i> CHECKED BY: YOSHIDA Y. <i>Yok</i> APPROVED BY: NAGAI K. <i>Nk</i> ISSUE DATE: 15/SEP/2005 SCALE: 1/200, 1/25</p>		<p>SECTION: CIVIL WORKS SUB-SECTION: TRESTLE TITLE OF DRAWING: STRUCTURE OF BRACING BEAM - TRESTLE2 DWG NO: PAC2-TV-TRS-031</p>		<p>REV. NO</p>
<p> JAPAN INTERNATIONAL COOPERATION AGENCY ASSIGNED TO: JAPAN PORT CONSULTANT (JPC) PACIFIC CONSULTANTS INTERNATIONAL (PCI) INTERNATIONAL DEVELOPMENT SYSTEM (IDS)</p>					<p>PACKAGE 2 CONSTRUCTION OF PORT FACILITIES AND BUILDINGS FOR THI VAI AREA</p>							
REV NO	DATE	DESCRIPTION	BY	APP								



PILE ARRANGEMENT OF TRESTLE TYPE 1
SC=1/200



PILE ARRANGEMENT OF TRESTLE TYPE 3
SC=1/200

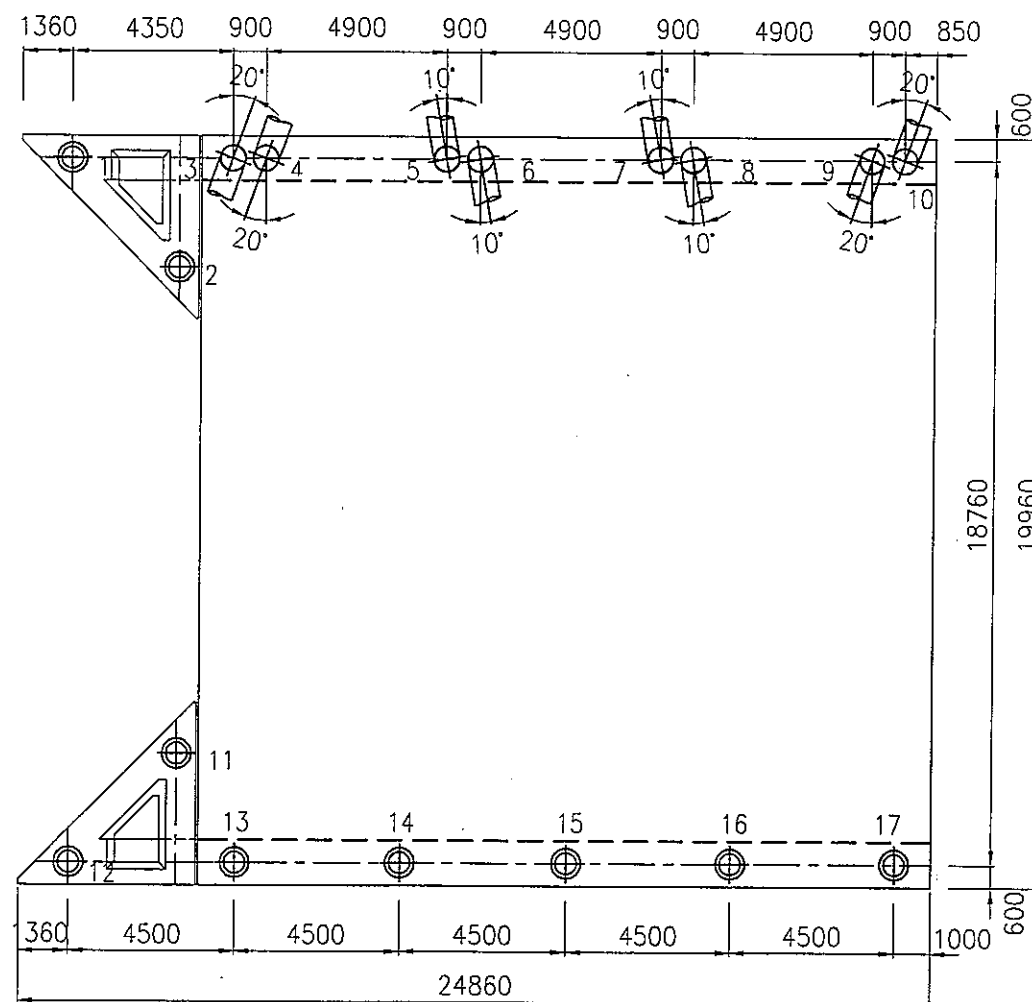


TABLE OF PILE'S DIMENSION

No	3,4,9,10	5-8	1-2;11-17
MATERIAL	STEEL	STEEL	PC
DIAMETER (MM)	700	700	800
THICKNESS (MM)	12	12	110
TYPE	SKK400	SKK400	C
ANGLE OF INCLINATION	10:1	10:1	0
ANGLE OF ROTATION (DEGREE)	20	10	0
ELEVATION OF PILE TOP (M)	+2.91	+2.91	+2.91

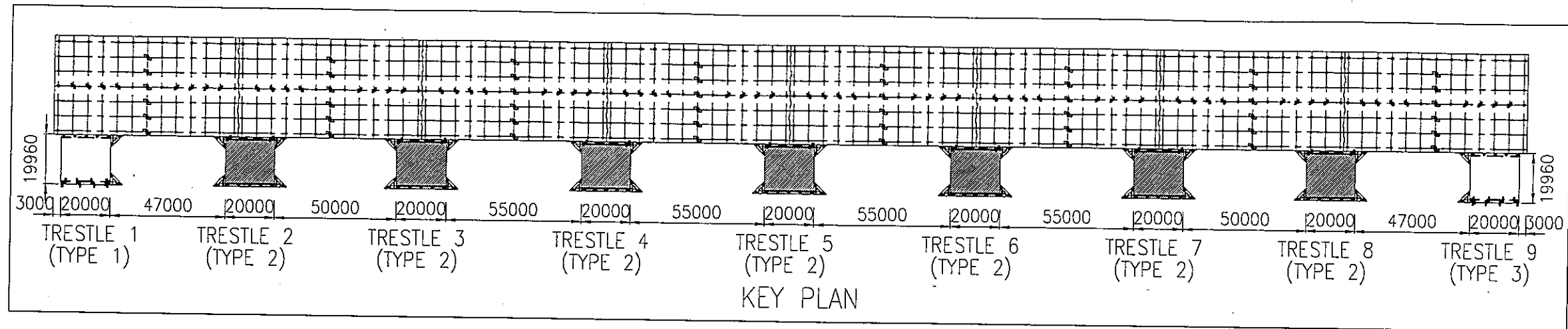
NOTES:

- DIMENSIONS ARE IN [MM].
- ELEVATIONS ARE IN METRES - CHART DATUM.

LEGENDS:

- Ø800 x t125 VERTICAL PC PILE
- Ø700 x t12 BATTERED STEEL PILE

			THE SOCIALIST REPUBLIC OF VIETNAM MINISTRY OF TRANSPORT PROJECT MANAGEMENT UNIT 85		CAI MEP - THI VAI INTERNATIONAL PORT CONSTRUCTION PROJECT		DESIGNED BY: BUI AN LOC DRAWN BY: NG. DUY QUANG CHECKED BY: YOSHIDA Y. APPROVED BY: NAGAI K. ISSUE DATE: 9/SEP/2005 SCALE: 1/200		SECTION: CIVIL WORKS SUB-SECTION: TRESTLE TITLE OF DRAWING: PILE LAYOUT OF TRESTLE 1&3 DWG NO: PAC2-TV-TRS-032		REV. NO
JICA JAPAN INTERNATIONAL COOPERATION AGENCY ASSIGNED TO: JAPAN PORT CONSULTANT (JPC) PACIFIC CONSULTANTS INTERNATIONAL (PCI) INTERNATIONAL DEVELOPMENT SYSTEM (IDS)			PACKAGE 2 CONSTRUCTION OF PORT FACILITIES AND BUILDINGS FOR THI VAI AREA								
DESCRIPTION	BY	APP									



PILE ARRANGEMENT OF TRESTLE TYPE 2
SC=1/200

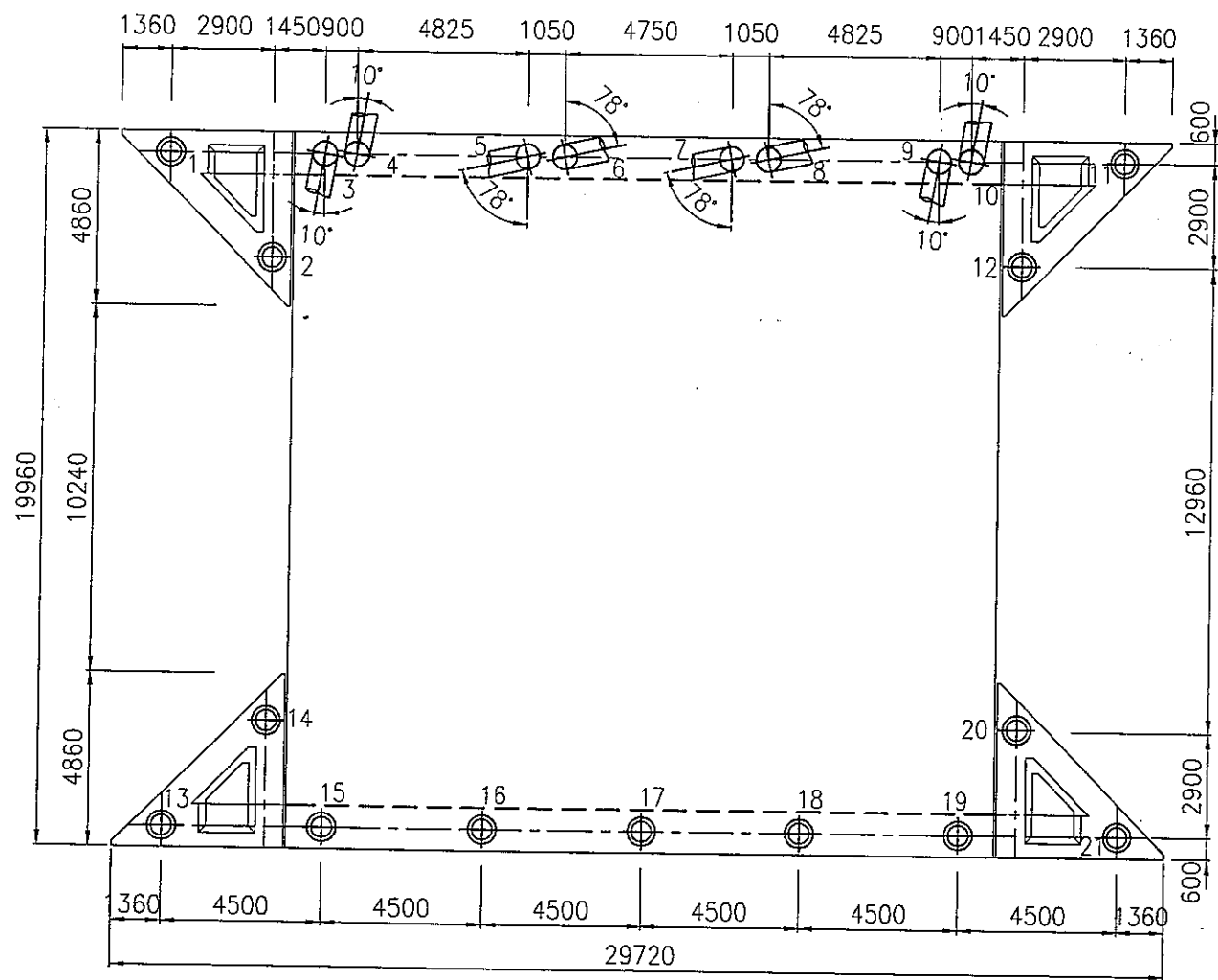


TABLE OF PILE'S DIMENSION

No	3,4,9,10	05÷08	1÷2;11÷21
MATERIAL	STEEL	STEEL	PC
DIAMETER (MM)	700	700	800
THICKNESS (MM)	12	12	110
TYPE	SKK400	SKK400	C
ANGLE OF INCLINATION	10:1	10:1	0
ANGLE OF ROTATION (DEGREE)	10	78	0
ELEVATION OF PILE TOP (M)	+2.91	+2.91	+2.91

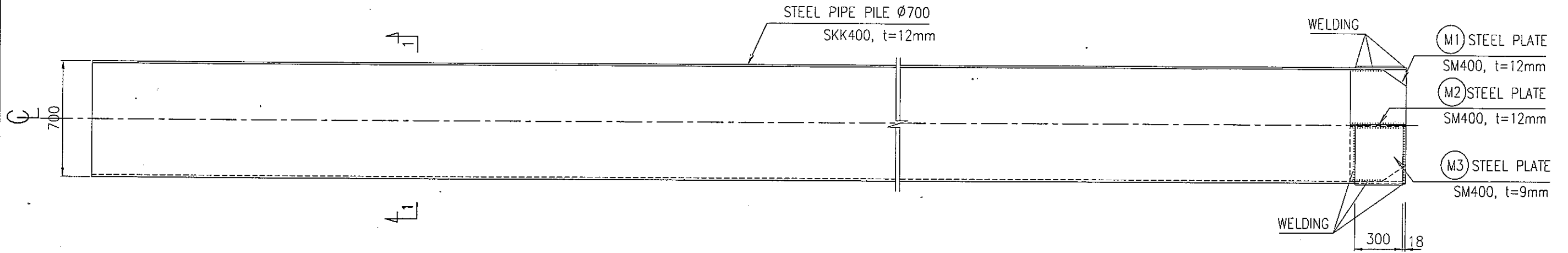
NOTES:

- DIMENSIONS ARE IN [MM].
- ELEVATIONS ARE IN METRES - CHART DATUM.

LEGENDS:

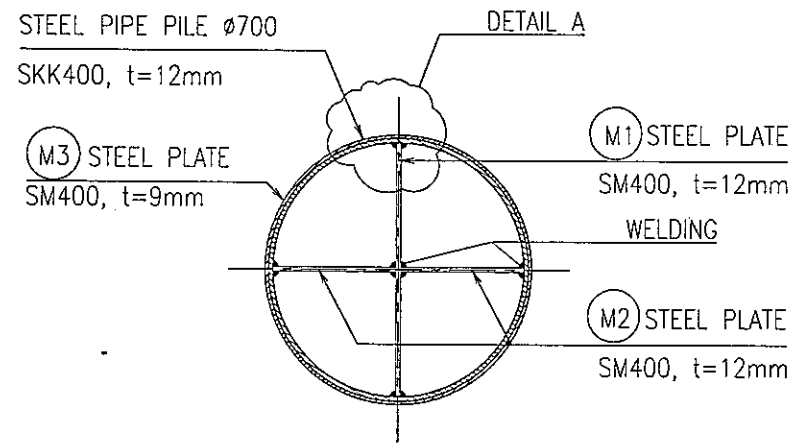
- Ø800 x t125 VERTICAL PC PILE
- Ø700 x t12 BATTERED STEEL PILE

THE SOCIALIST REPUBLIC OF VIETNAM MINISTRY OF TRANSPORT PROJECT MANAGEMENT UNIT 95				CAI MEP - THI VAI INTERNATIONAL PORT CONSTRUCTION PROJECT		DESIGNED BY: DRAWN BY: CHECKED BY: APPROVED BY: ISSUE DATE: 15/SEP/2005 SCALE: 1/200		SECTION: CIVIL WORKS SUB-SECTION: TRESTLE TITLE OF DRAWING: PILE LAYOUT OF TRESTLE (2)	
				PACKAGE 2 CONSTRUCTION OF PORT FACILITIES AND BUILDINGS FOR THI VAI AREA		DWG NO: PAC2-TV-TRS-033		REV. NO	
REV NO	DATE	DESCRIPTION	BY	APP					



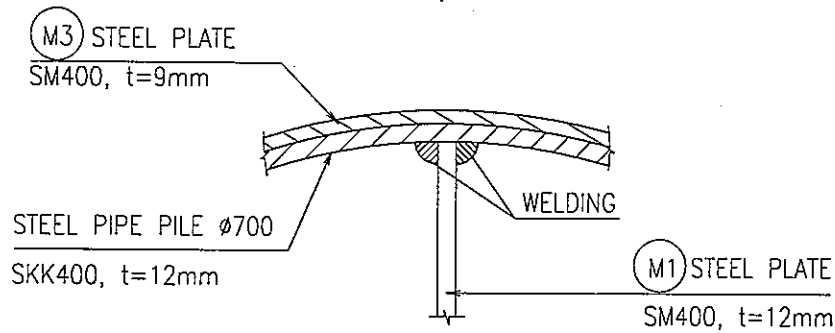
DETAIL OF STEEL PIPE PILE D=700MM, T=12MM

SC=1/25



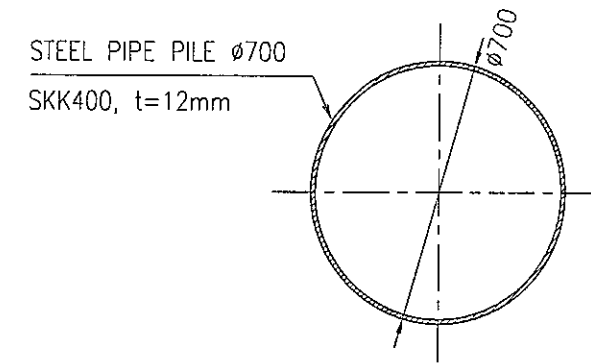
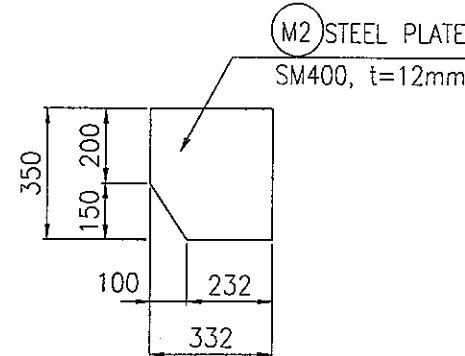
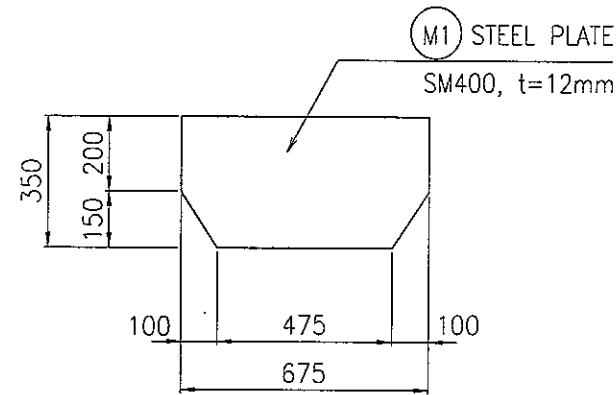
DETAIL OF PILE SHOE

SC=1/20



DETAIL OF A

SC=1/5



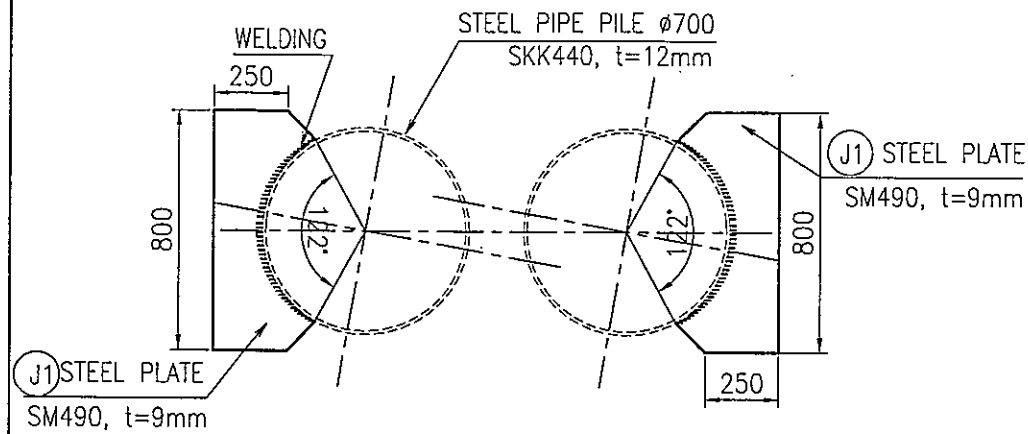
SECTION 1-1

SC=1/20

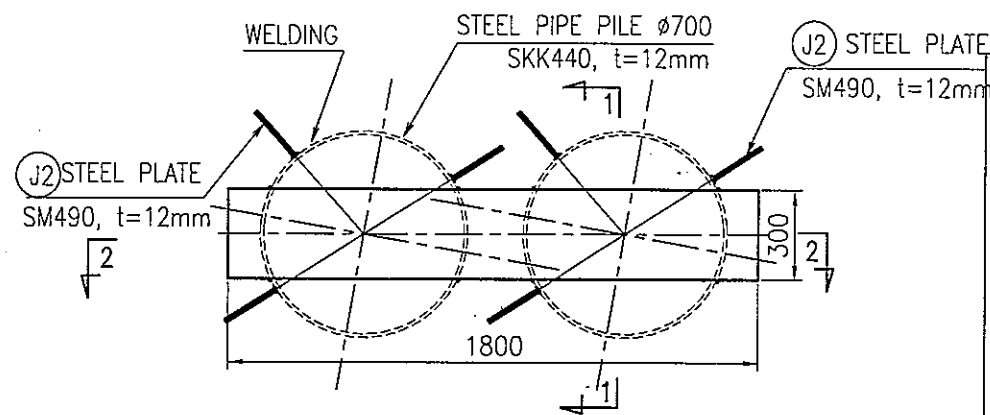
NOTES:

- DIMENSIONS ARE IN MILLIMETRES.
- ELEVATIONS ARE IN METRES - CHART DATUM.
- PILE LENGTHS ARE PROBABLE LENGTHS BASED ON THE DESIGN AND ARE FOR ESTIMATION ONLY.

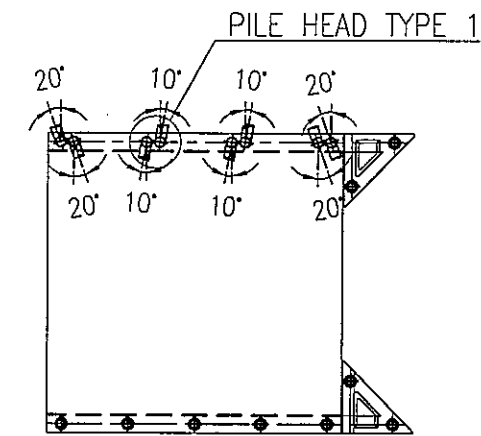
			THE SOCIALIST REPUBLIC OF VIETNAM MINISTRY OF TRANSPORT PROJECT MANAGEMENT UNIT 85		CAI MEP - THI VAI INTERNATIONAL PORT CONSTRUCTION PROJECT		DESIGNED BY: BUI AN LOC DRAWN BY: NG. DUY QUANG CHECKED BY: YOSHIDA Y. APPROVED BY: NAGAI K. ISSUE DATE: 15/SEP/2005 SCALE: 1/5, 1/20, 1/25		SECTION: CIVIL WORKS SUB-SECTION: TRESTLE TITLE OF DRAWING: STRUCTURE OF STEEL PILE D=700MM, T=12MM DWG NO: PAC2-TV-TRS-034 REV. NO	
			JICA JAPAN INTERNATIONAL COOPERATION AGENCY ASSIGNED TO: JAPAN PORT CONSULTANT (JPC) PACIFIC CONSULTANTS INTERNATIONAL (PCI) INTERNATIONAL DEVELOPMENT SYSTEM (IDS)		PACKAGE 2 CONSTRUCTION OF PORT FACILITIES AND BUILDINGS FOR THI VAI AREA					
DESCRIPTION	BY	APP								



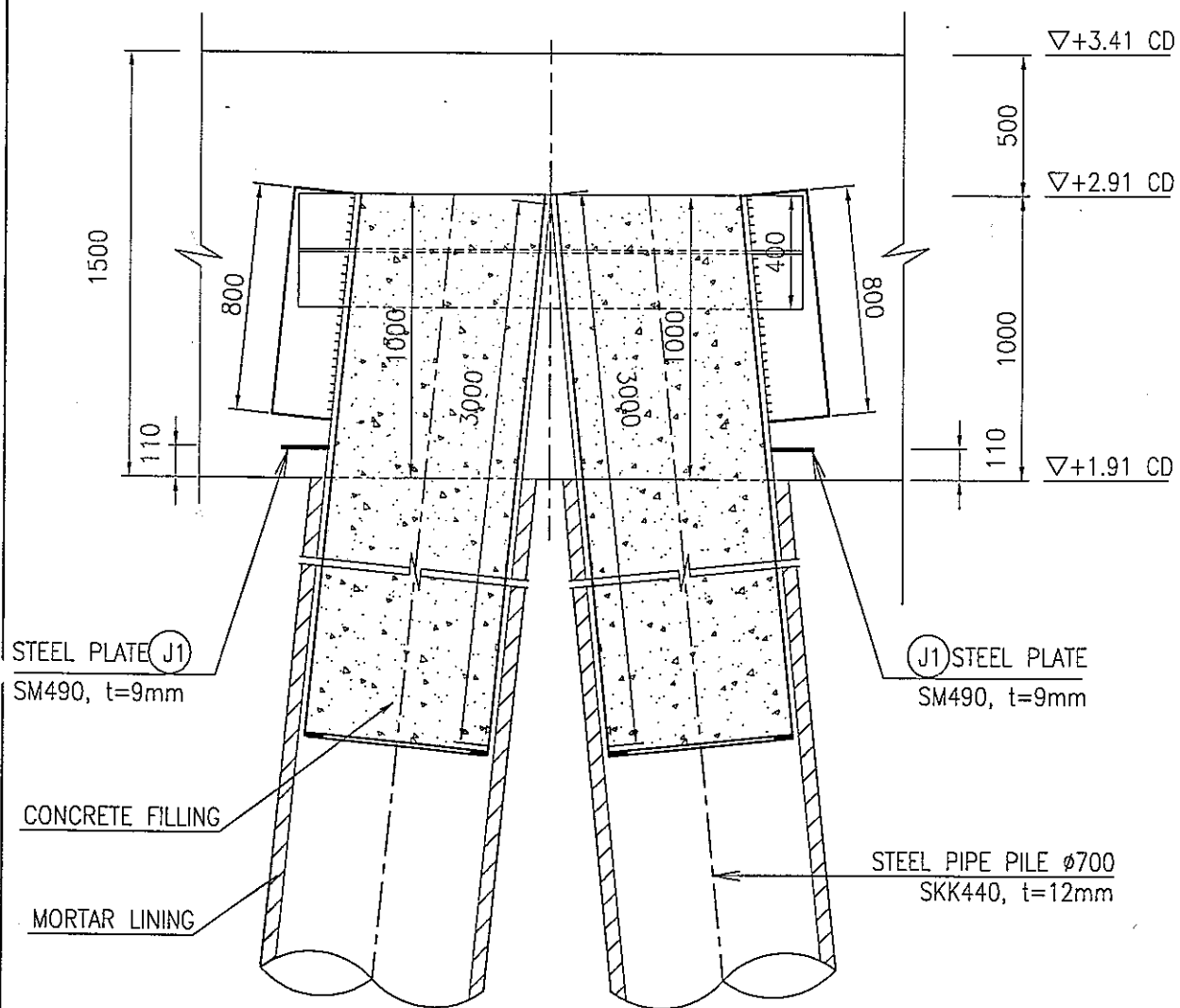
DETAIL OF **J1**
SC=1/25



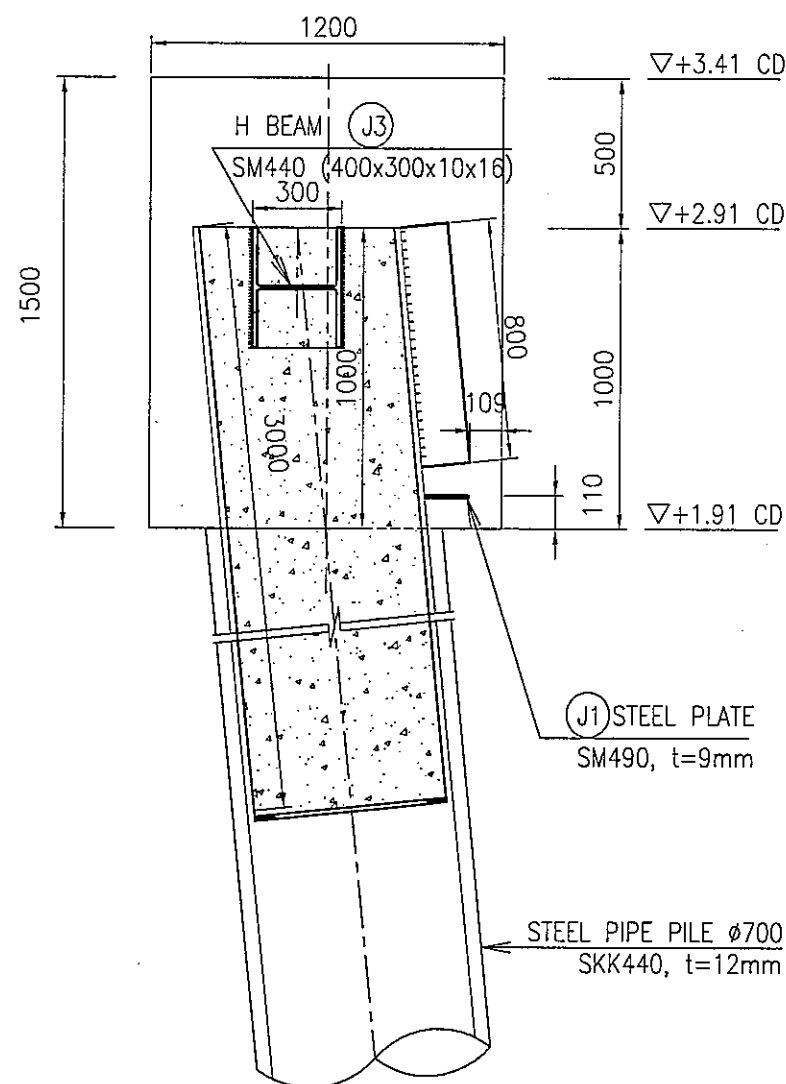
DETAIL OF **J2**
SC=1/25



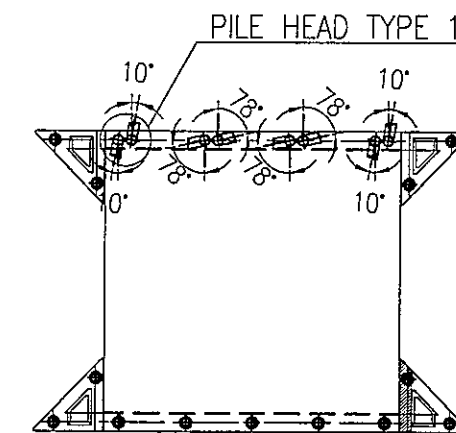
KEY PLAN TRESTLE 1



SECTION 2-2
SC=1/25



SECTION 1-1
SC=1/25

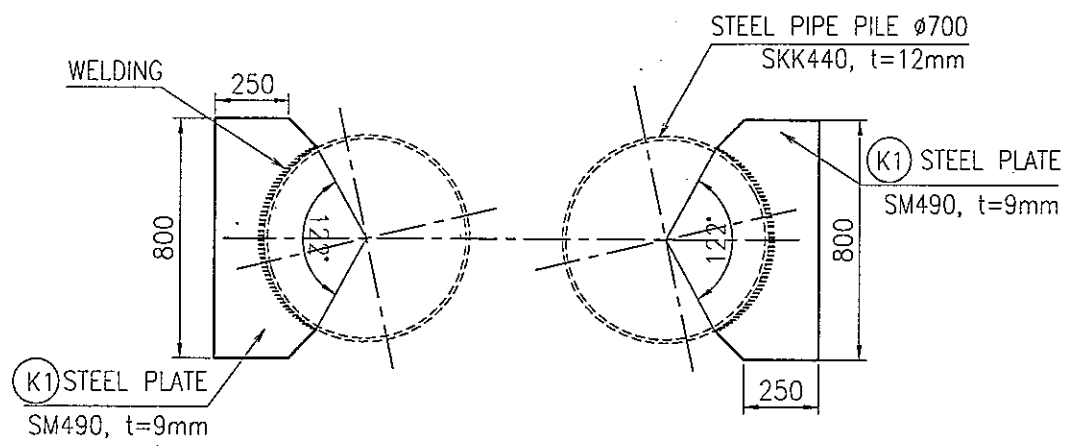


KEY PLAN TRESTLE 2

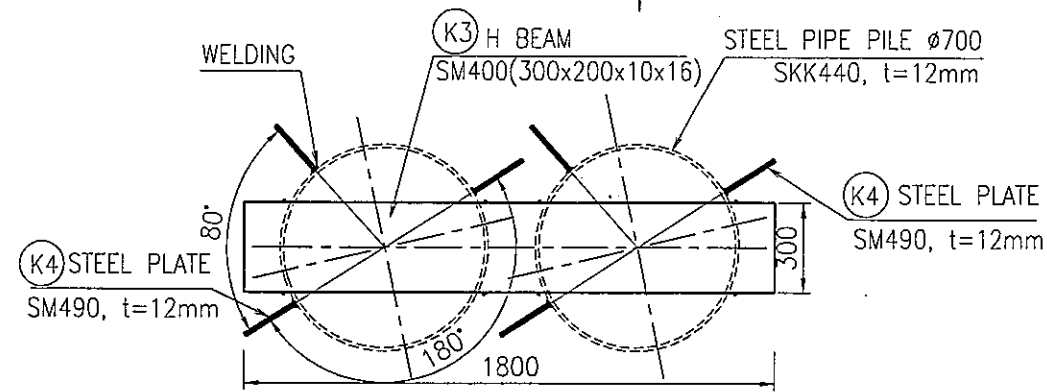
NOTES:

- DIMENSIONS ARE IN MILLIMETRES.
- ELEVATIONS ARE IN METRES - CHART DATUM.

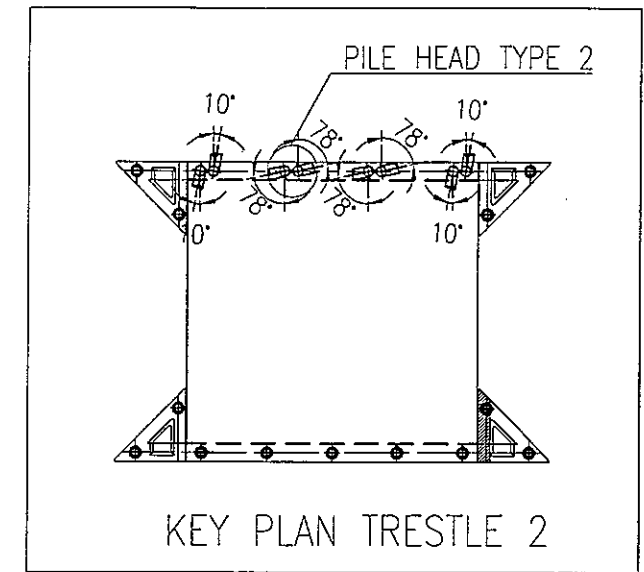
			THE SOCIALIST REPUBLIC OF VIETNAM MINISTRY OF TRANSPORT PROJECT MANAGEMENT UNIT 85		CAI MEP - THI VAI INTERNATIONAL PORT CONSTRUCTION PROJECT		DESIGNED BY: <i>Bui An Loc</i> DRAWN BY: <i>Ng. Duy Quang</i> CHECKED BY: <i>Yoshida Y.</i> APPROVED BY: <i>Nagai K.</i> ISSUE DATE: 15/SEP/2005 SCALE: 1/25, 1/50		SECTION: CIVIL WORKS SUB-SECTION: TRESTLE TITLE OF DRAWING: STRUCTURE OF STEEL PILE TOP (1) DWG NO: PAC2-TV-TRS-035 REV. NO		
			JAPAN INTERNATIONAL COOPERATION AGENCY ASSIGNED TO: JAPAN PORT CONSULTANT (JPC) PACIFIC CONSULTANTS INTERNATIONAL (PCI) INTERNATIONAL DEVELOPMENT SYSTEM (IDS)		PACKAGE 2 CONSTRUCTION OF PORT FACILITIES AND BUILDINGS FOR THI VAI AREA						
DESCRIPTION	BY	APP									



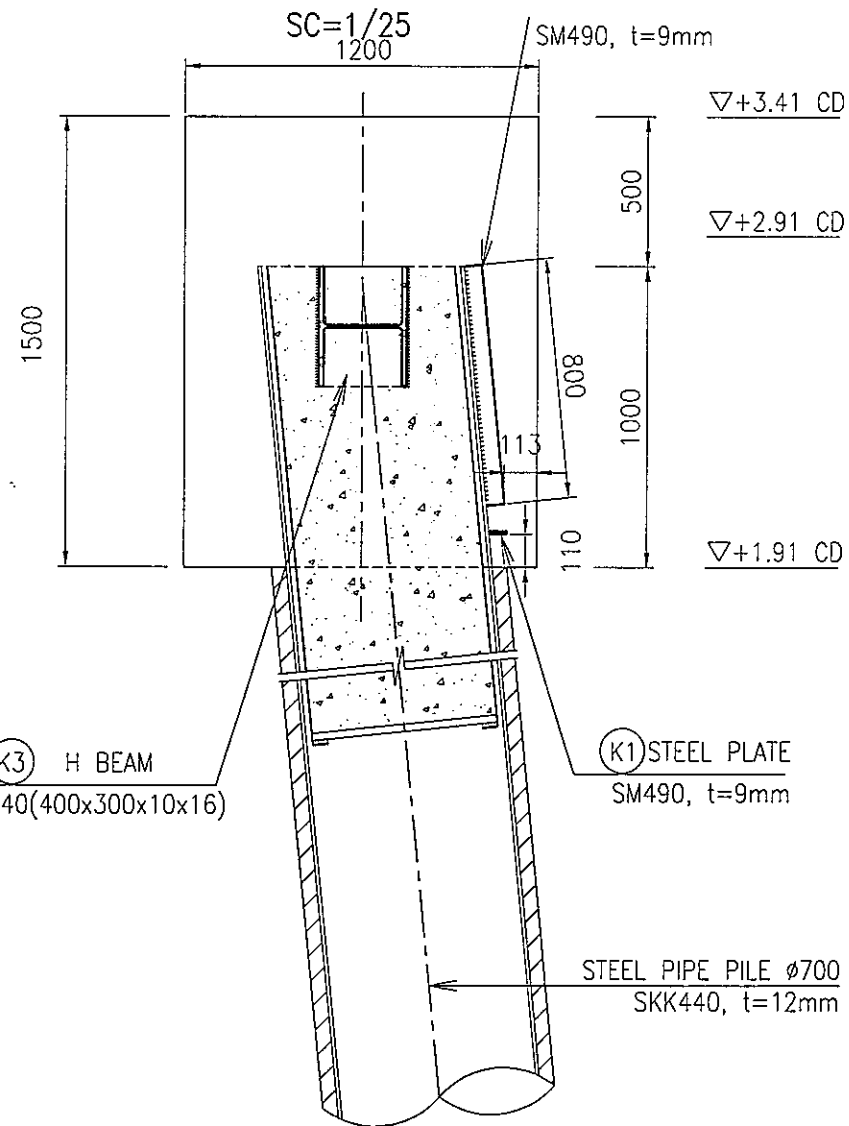
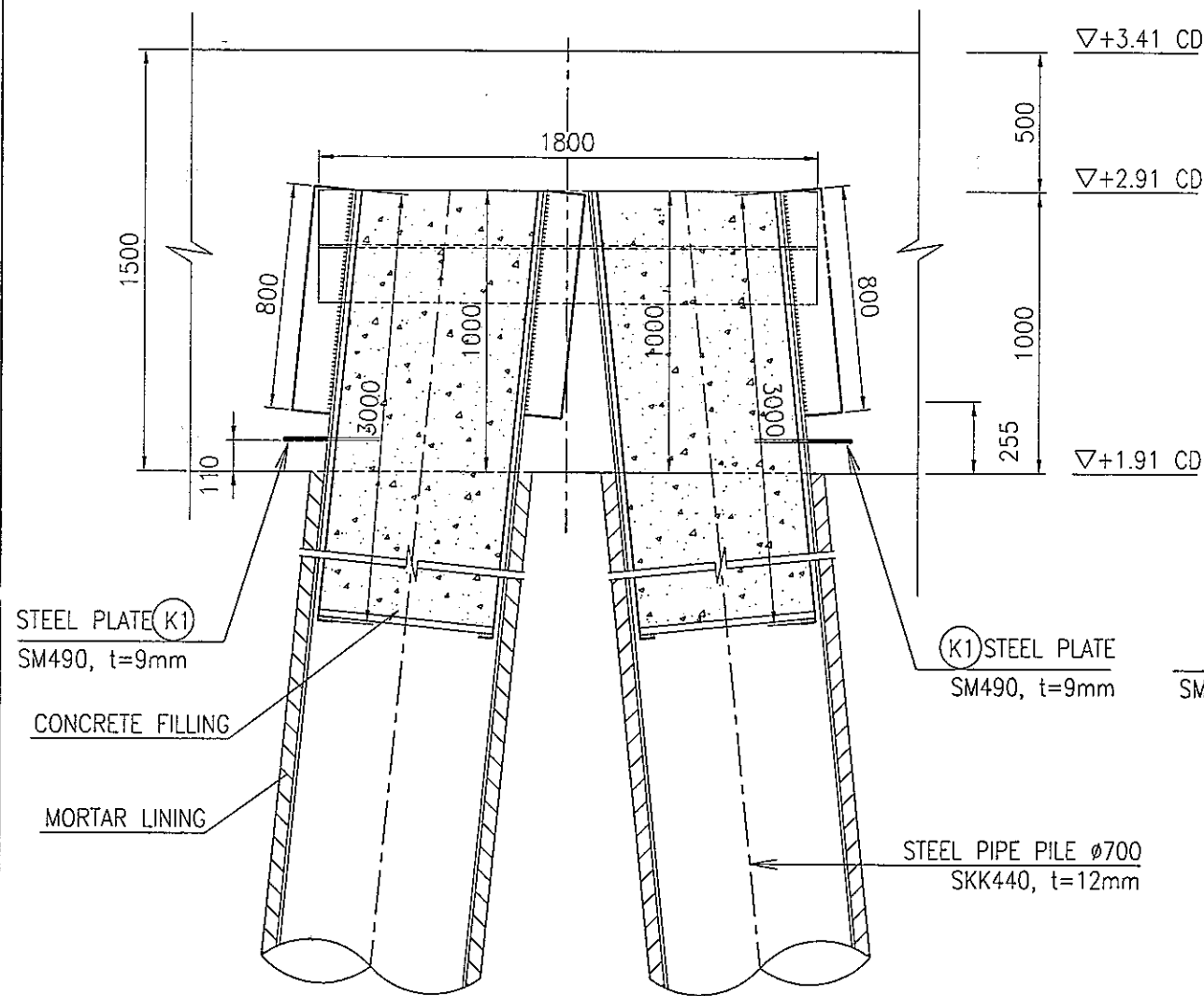
DETAIL OF (K1)
SC=1/25



DETAIL OF (K3) (K4)
SC=1/25



KEY PLAN TRESTLE 2



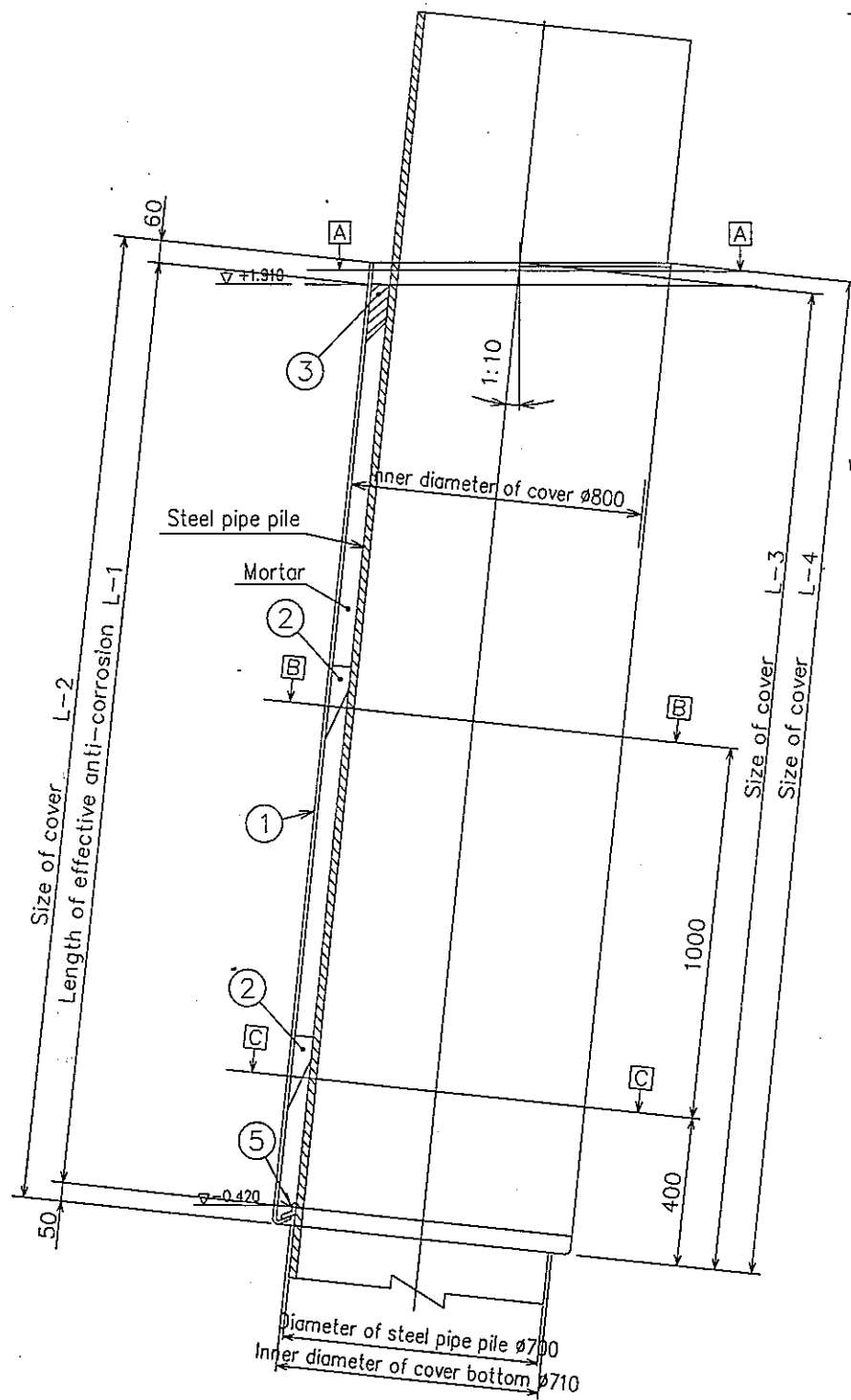
SECTION 1-1
SC=1/25

NOTES:

- DIMENSIONS ARE IN MILLIMETRES.
- ELEVATIONS ARE IN METRES - CHART DATUM.

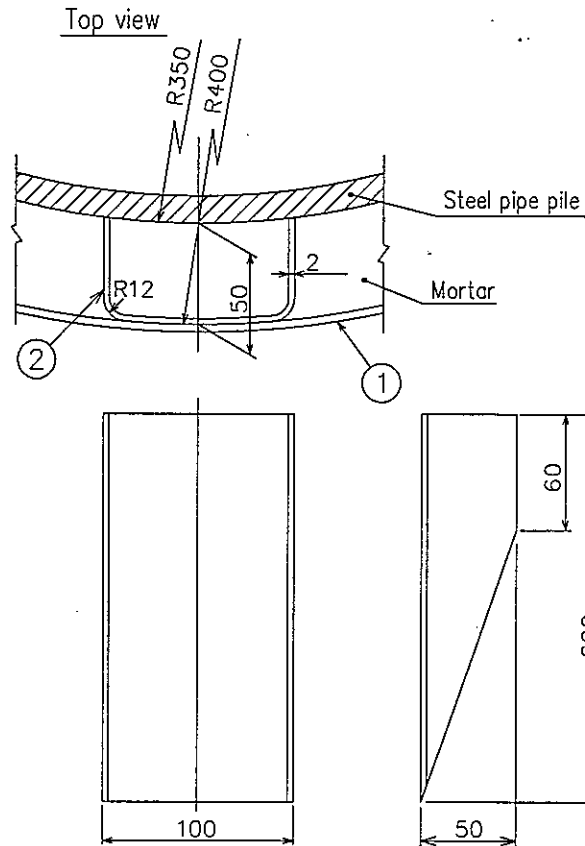
			<p>THE SOCIALIST REPUBLIC OF VIETNAM MINISTRY OF TRANSPORT PROJECT MANAGEMENT UNIT 85</p>		<p>CAI MEP - THI VAI INTERNATIONAL PORT CONSTRUCTION PROJECT</p>		<p>DESIGNED BY: BUI AN LOC DRAWN BY: NG. DIU QUANG CHECKED BY: YOSHIDA Y. APPROVED BY: NAGAI K. ISSUE DATE: 15/SEP/2005 SCALE: 1/25, 1/50</p>		<p>SECTION: CIVIL WORKS SUB-SECTION: TRESTLE TITLE OF DRAWING: STRUCTURE OF STEEL PILE TOP (2) DWG NO: PAC2-TV-TRS-036 REV. NO</p>	
<p>JICA JAPAN INTERNATIONAL COOPERATION AGENCY ASSIGNED TO: JAPAN PORT CONSULTANT (JPC) PACIFIC CONSULTANTS INTERNATIONAL (PCI) INTERNATIONAL DEVELOPMENT SYSTEM (IDS)</p>			<p>PACKAGE 2 CONSTRUCTION OF PORT FACILITIES AND BUILDINGS FOR THI VAI AREA</p>							
<p>DESCRIPTION</p>			<p>BY</p>		<p>APP</p>					

Detailed cross-sectional view of F.R.P. cover S=1:10



Details of F.R.P. cover (for steel pipe pile)

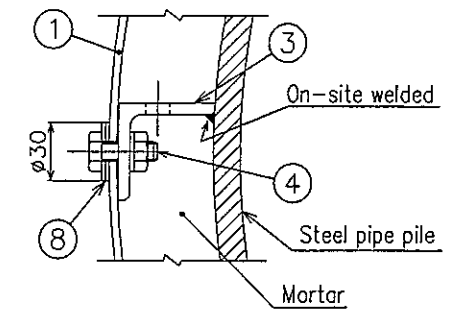
② Details of F.R.P. spacer S=1:2



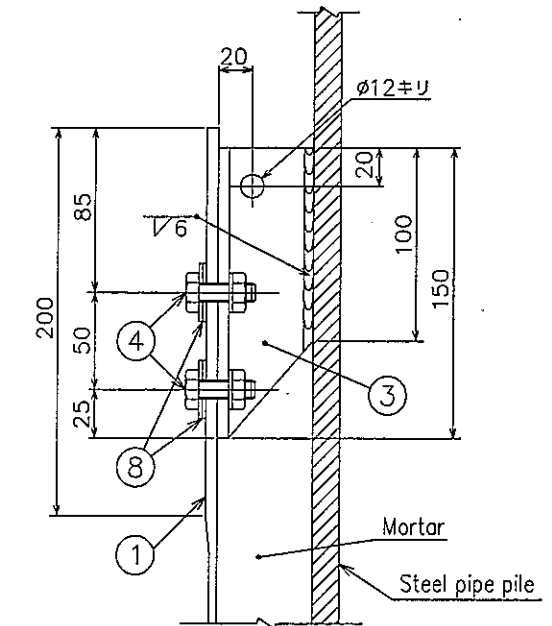
F.R.P. spacer is fastened to the main body cover with F.R.P. overlay.

③ Details of upper welding fixtures S=1:2

Top view

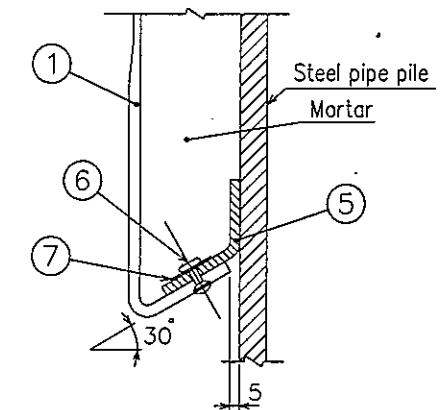


Side view



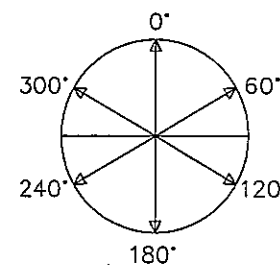
⑤ Details of mortar supporter S=1:2

Side view



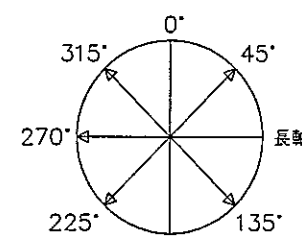
Location of upper welding fixtures

A-A



Location of F.R.P. spacers

B-B, C-C



9					
8	Rubber packing for upper fixture	Rubber	12	pcs	t=2m/m
7	Washer on mortar supporter	Uni-chrome	18	pcs	ø25xø5xt1
6	Stainless steel rivet	SUS304	18	pcs	
5	Mortar supporter	Rubber	1	pcs	t=5m/m
4	Bolt for upper fixture	SUS304	12	pcs	M10x30 (B.N.2W)
3	Upper fixture	SS400	6	pcs	L=50x50xt6xL150
2	F.R.P. spacer	F.R.P.	10	pcs	
1	F.R.P. cover	F.R.P.	1	pcs	
No.	Name	Material	Quantity	Symbol	Remarks

Class	Type	Pile mounting angle	Outer diameter of steel pipe pile (mm)	Upper end mounting level (m)	Lower end mounting level (m)	Inner diameter (mm)	L-1	L-2	L-3	L-4
		1:10	700	+1.910	-0.420	800	2342	2452	2491	2531

THE SOCIALIST REPUBLIC OF VIETNAM
MINISTRY OF TRANSPORT
PROJECT MANAGEMENT UNIT 85

JICA
JAPAN INTERNATIONAL COOPERATION AGENCY
ASSIGNED TO:
JAPAN PORT CONSULTANT (JPC)
PACIFIC CONSULTANTS INTERNATIONAL (PCI)
INTERNATIONAL DEVELOPMENT SYSTEM (IDS)

CAI MEP - THI VAI INTERNATIONAL PORT
CONSTRUCTION PROJECT

PACKAGE 2
CONSTRUCTION OF PORT FACILITIES AND BUILDINGS FOR
THI VAI AREA

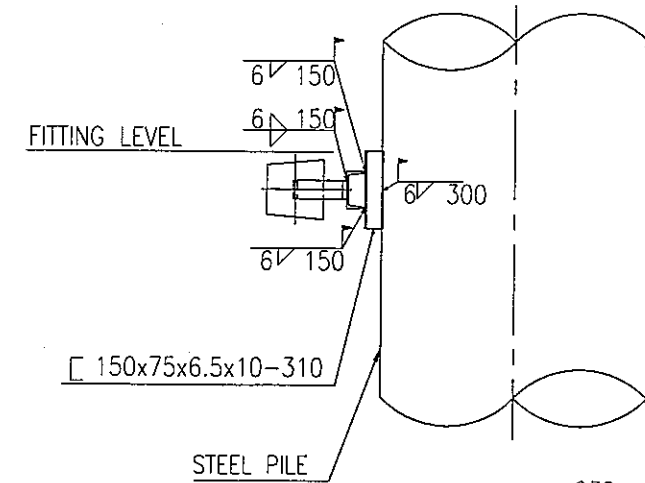
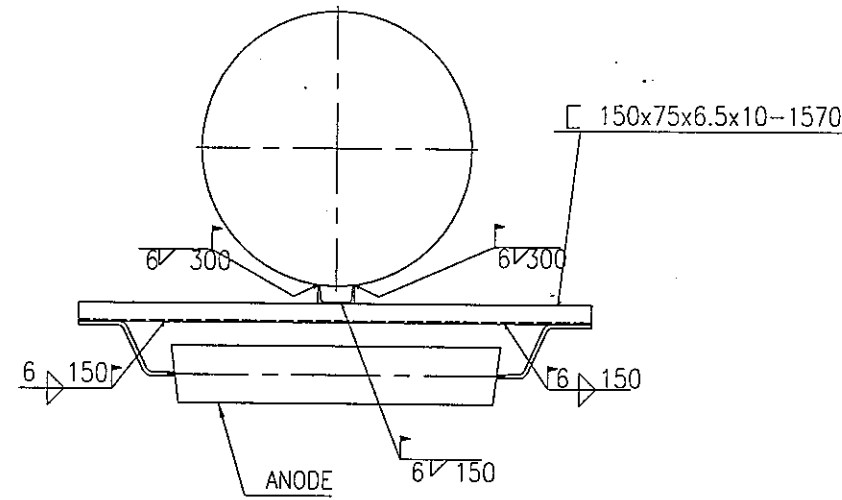
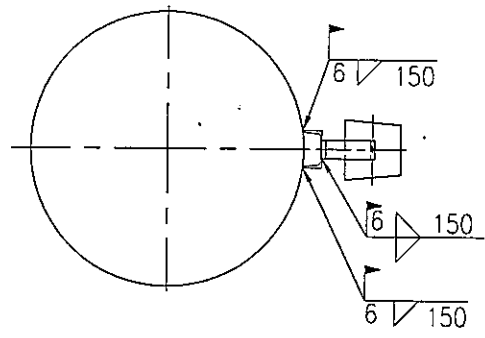
DESIGNED BY:
YOSHIDA Y.
DRAWN BY:
P. T. THANH PHUONG
CHECKED BY:
YOSHIDA Y.
APPROVED BY:
NAGAI K.
ISSUE DATE:
15/SEP/2005
SCALE:
1/10, 1/2

SECTION:
CIVIL WORKS
SUB-SECTION:
TRESTLE
TITLE OF DRAWING:
DETAIL OF F.R.P. COVER (FOR STEEL PILE)

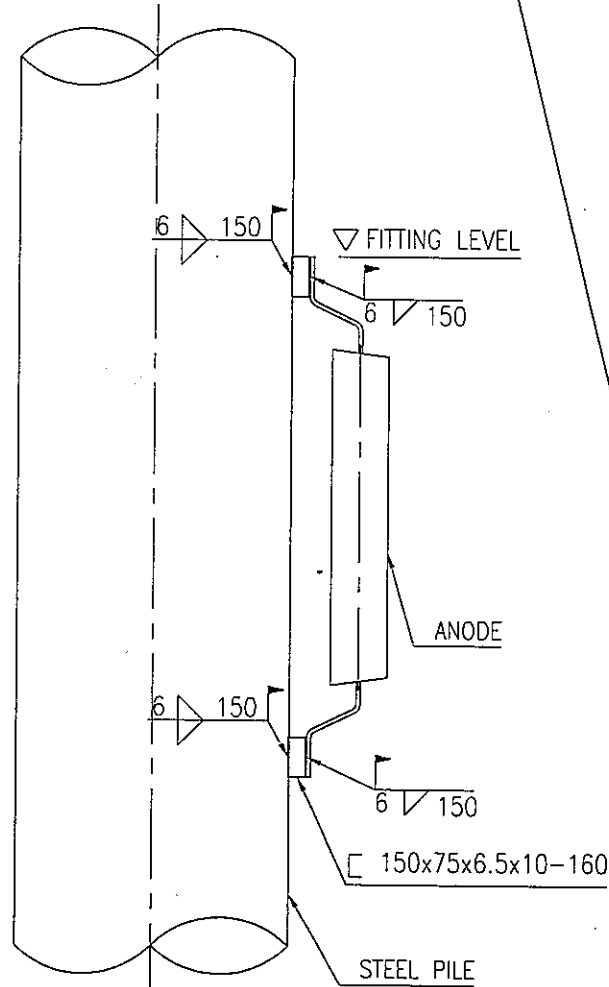
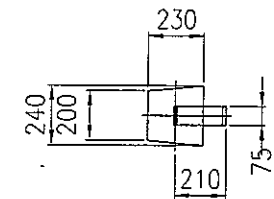
DWG NO:
PAC2-TV-TRS-037
REV. NO

REV NO	DATE	DESCRIPTION	BY	APP

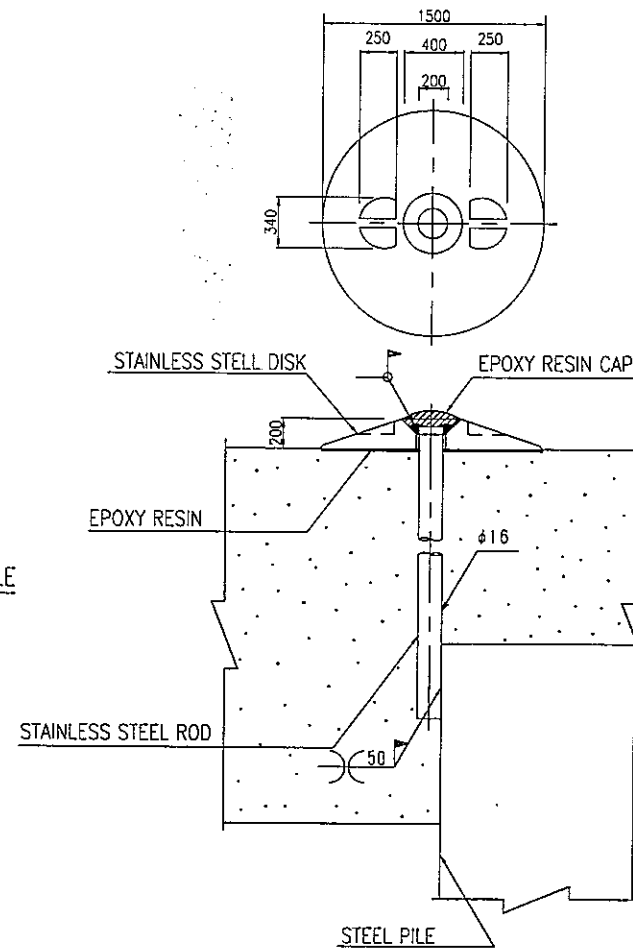
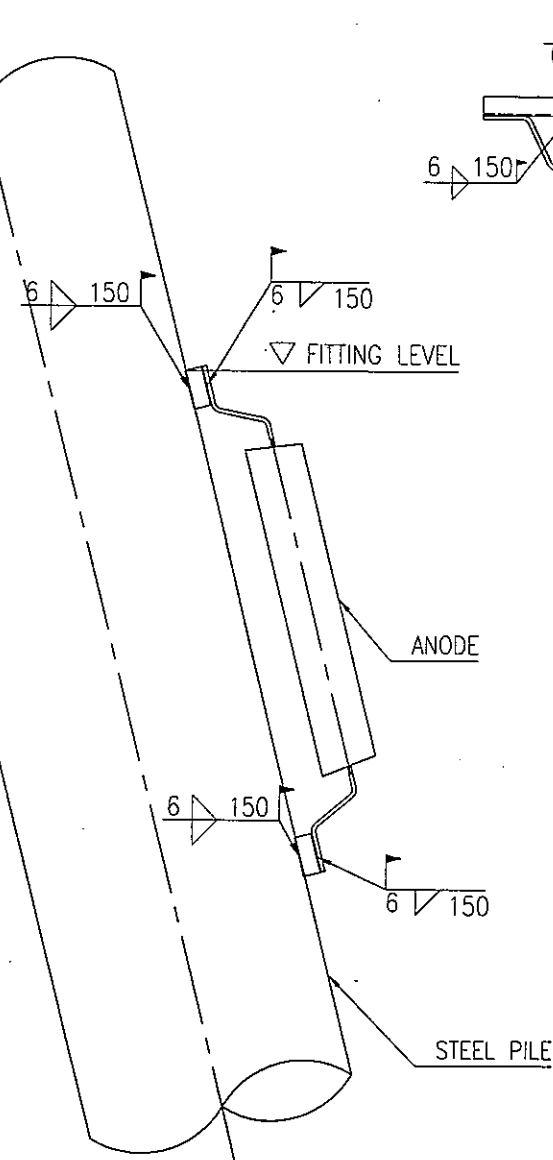
INSTALLATION OF ANODE



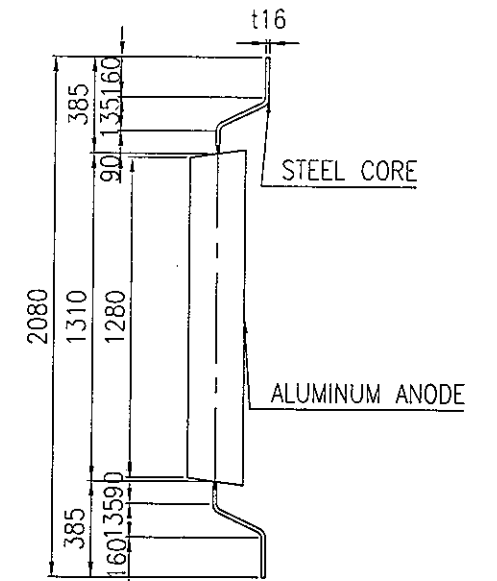
HORIZONTAL SC=1/30



VERTICAL SC=1/30

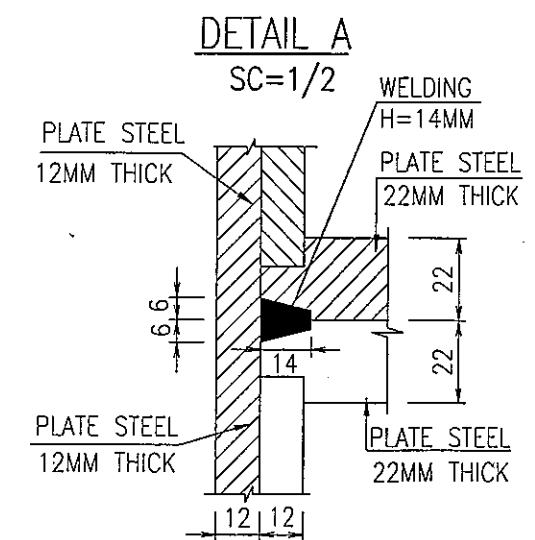
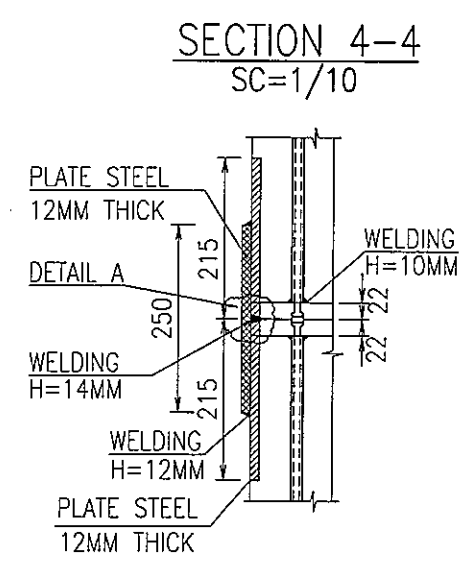
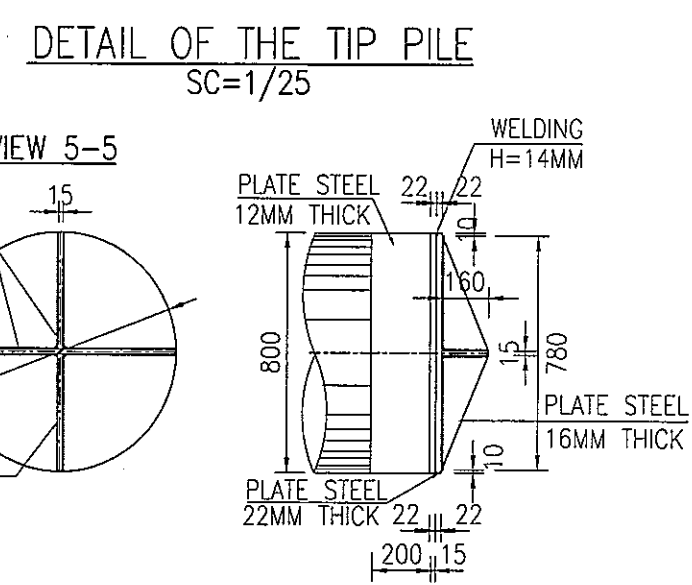
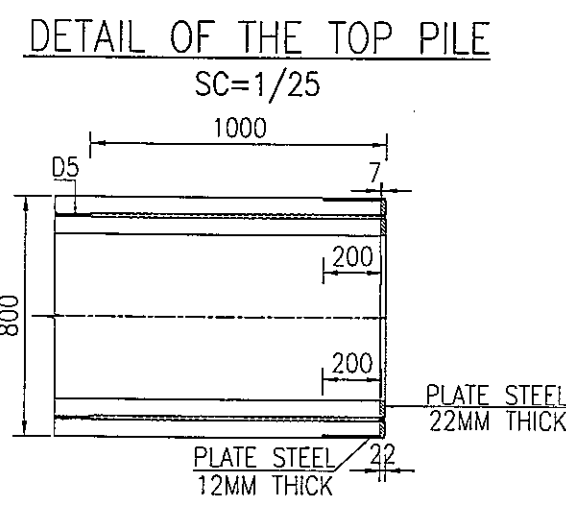
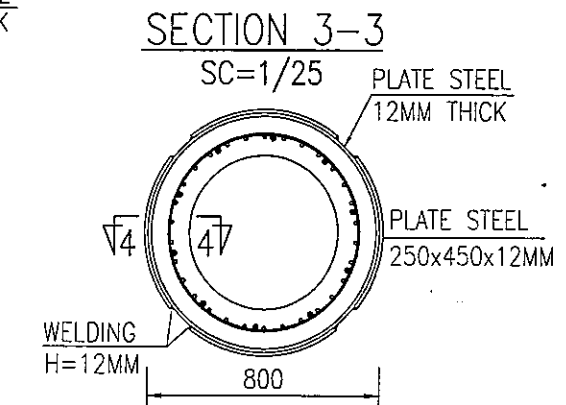
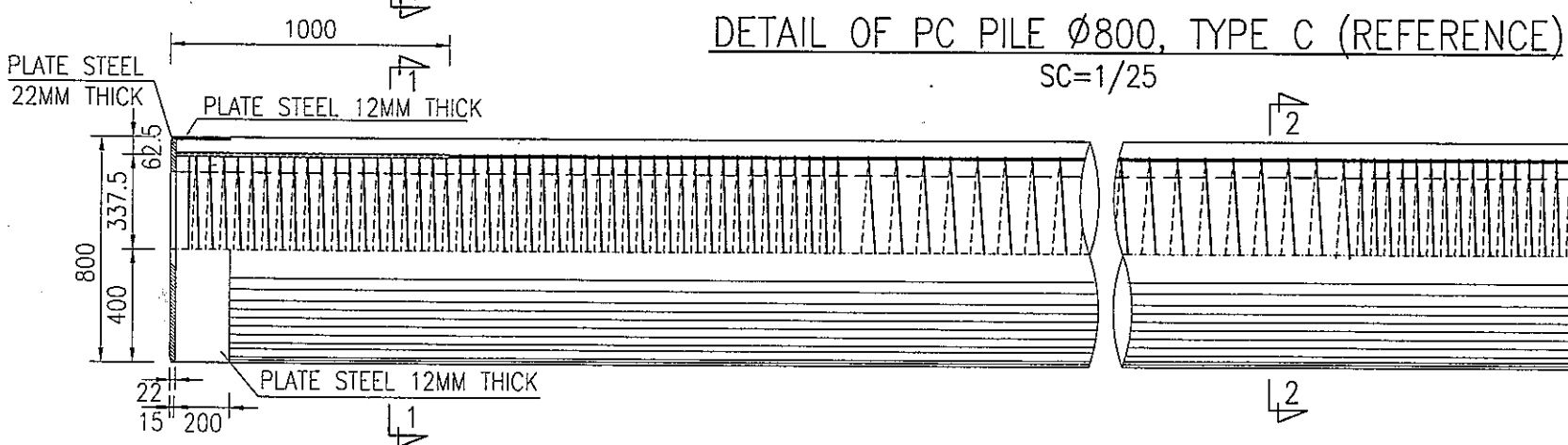
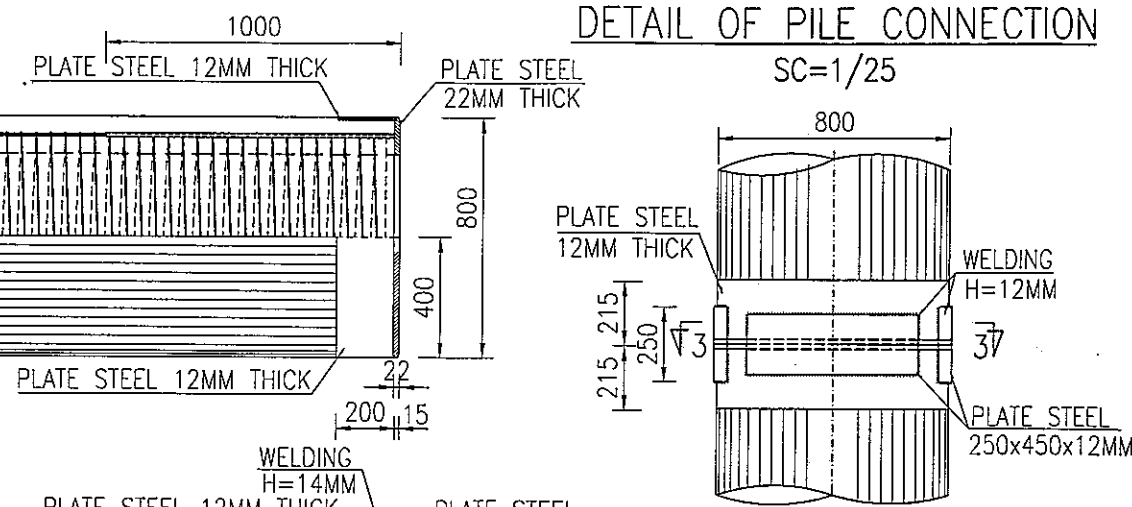
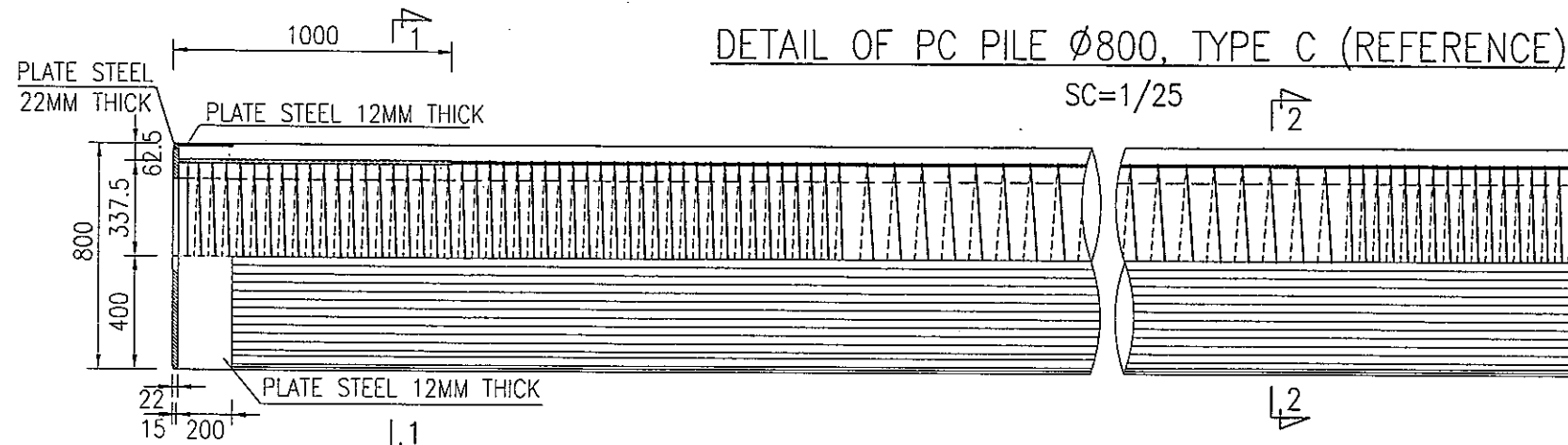


STAINLESS STEEL DISK FOR MEASUREMENT SC=1/50



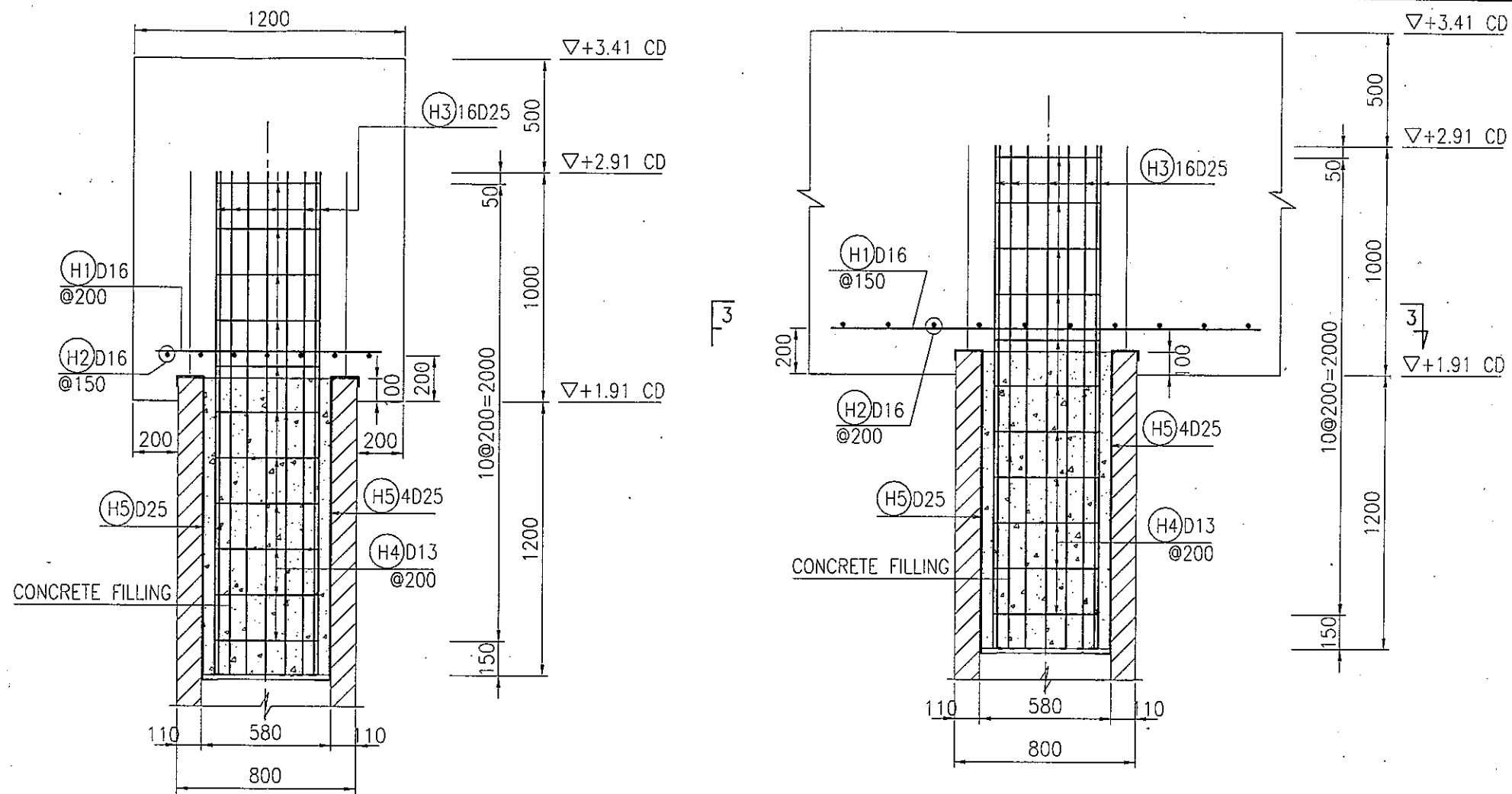
ALUMINUM ALLOY ANODE SC=1/30

<p align="center">THE SOCIALIST REPUBLIC OF VIETNAM MINISTRY OF TRANSPORT PROJECT MANAGEMENT UNIT 85 </p>						<p align="center">CAI MEP - THI VAI INTERNATIONAL PORT CONSTRUCTION PROJECT</p>		<p>DESIGNED BY: YOSHIDA Y. </p>		<p>SECTION: CIVIL WORKS</p>	
<p align="center"> JAPAN INTERNATIONAL COOPERATION AGENCY ASSIGNED TO: JAPAN PORT CONSULTANT (JPC) PACIFIC CONSULTANTS INTERNATIONAL (PCI) INTERNATIONAL DEVELOPMENT SYSTEM (IDS)</p>						<p align="center">PACKAGE 2 CONSTRUCTION OF PORT FACILITIES AND BUILDINGS FOR THI VAI AREA</p>		<p>DRAWN BY: P. T. THANH PHUONG </p>		<p>SUB-SECTION: TRESTLE</p>	
<p>REV NO DATE DESCRIPTION BY APP</p>						<p align="center">APPROVED BY: YOSHIDA Y. </p>		<p>CHECKED BY: YOSHIDA Y. </p>		<p>TITLE OF DRAWING: DETAIL OF ANODE PROTECTION</p>	
						<p>ISSUE DATE: 15/SEP/2005</p>		<p>APPROVED BY: NAGAI K. </p>		<p>DWG NO: PAC2-TV-TRS-38</p>	
						<p>SCALE: 1/50, 1/30</p>		<p>REVISIONS:</p>		<p>REV. NO</p>	



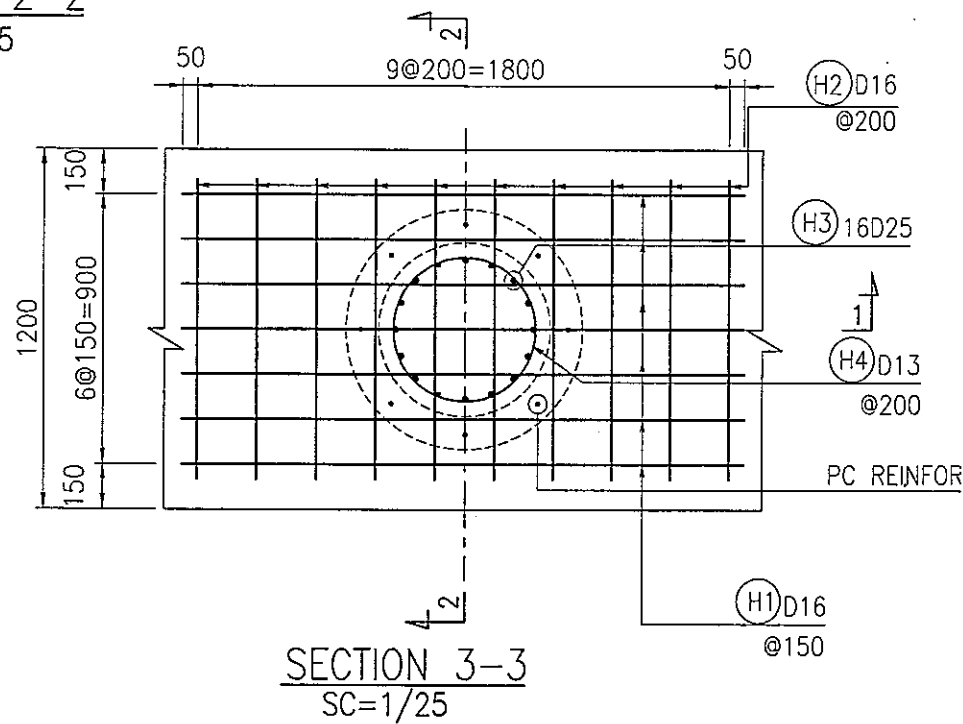
NOTES:
- DIMENSIONS ARE IN [MM].

					<p>THE SOCIALIST REPUBLIC OF VIETNAM MINISTRY OF TRANSPORT PROJECT MANAGEMENT UNIT 85</p>		<p>CAI MEP - THI VAI INTERNATIONAL PORT CONSTRUCTION PROJECT</p>		<p>DESIGNED BY: BUI AN LOC DRAWN BY: NGUYEN THI KIEU DIEM CHECKED BY: YOSHIDA Y. APPROVED BY: NAGAI K. ISSUE DATE: 15/SEP/2005 SCALE: 1/25, 1/10, 1/2</p>		<p>SECTION: CIVIL WORKS SUB-SECTION: TRESTLE TITLE OF DRAWING: STRUCTURE OF P.C PILE D800 DWG NO: PAC2-TV-TRS-039 REV. NO</p>	
REV NO	DATE	DESCRIPTION	BY	APP	<p>JICA JAPAN INTERNATIONAL COOPERATION AGENCY ASSIGNED TO: JAPAN PORT CONSULTANT (JPC) PACIFIC CONSULTANTS INTERNATIONAL (PCI) INTERNATIONAL DEVELOPMENT SYSTEM (IDS)</p>		<p>PACKAGE 2 CONSTRUCTION OF PORT FACILITIES AND BUILDINGS FOR THI VAI AREA</p>					

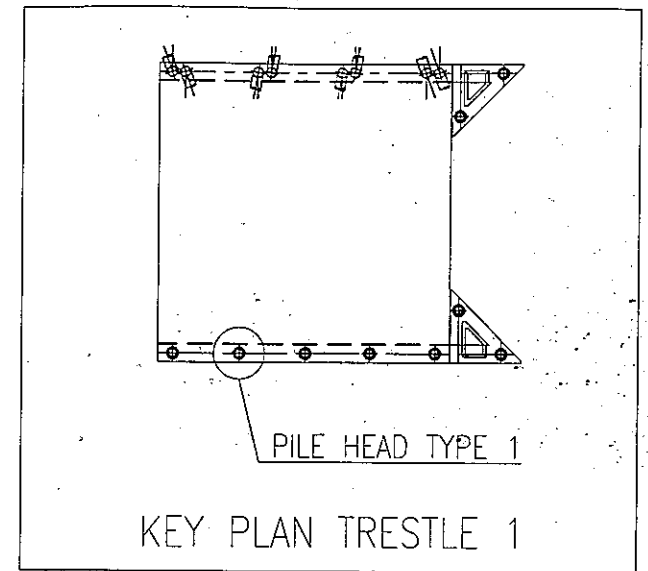


SECTION 2-2
SC=1/25

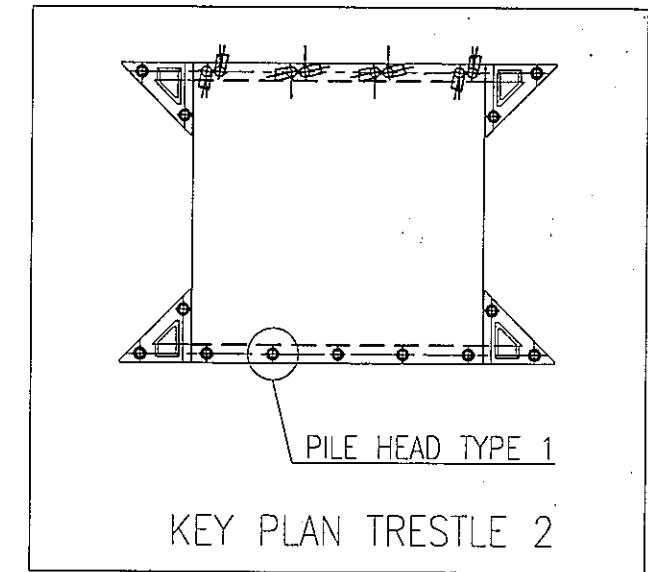
SECTION 1-1



SECTION 3-3
SC=1/25



KEY PLAN TRESTLE 1

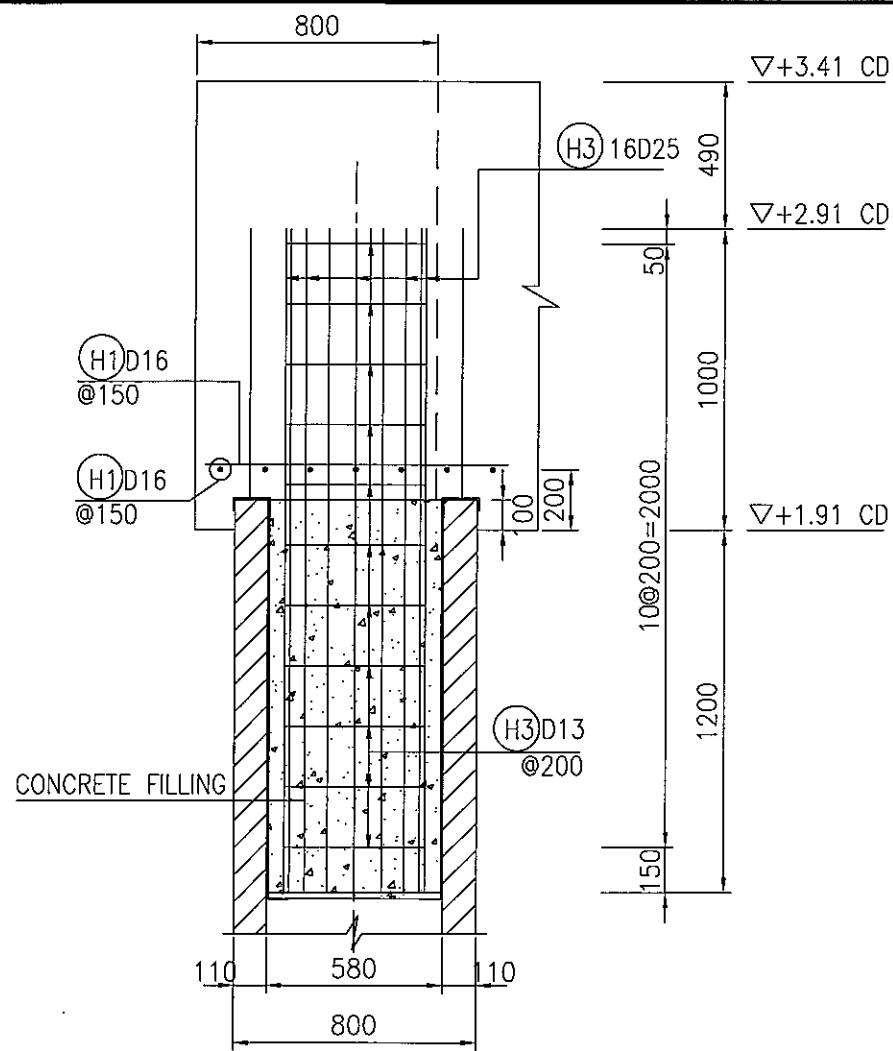


KEY PLAN TRESTLE 2

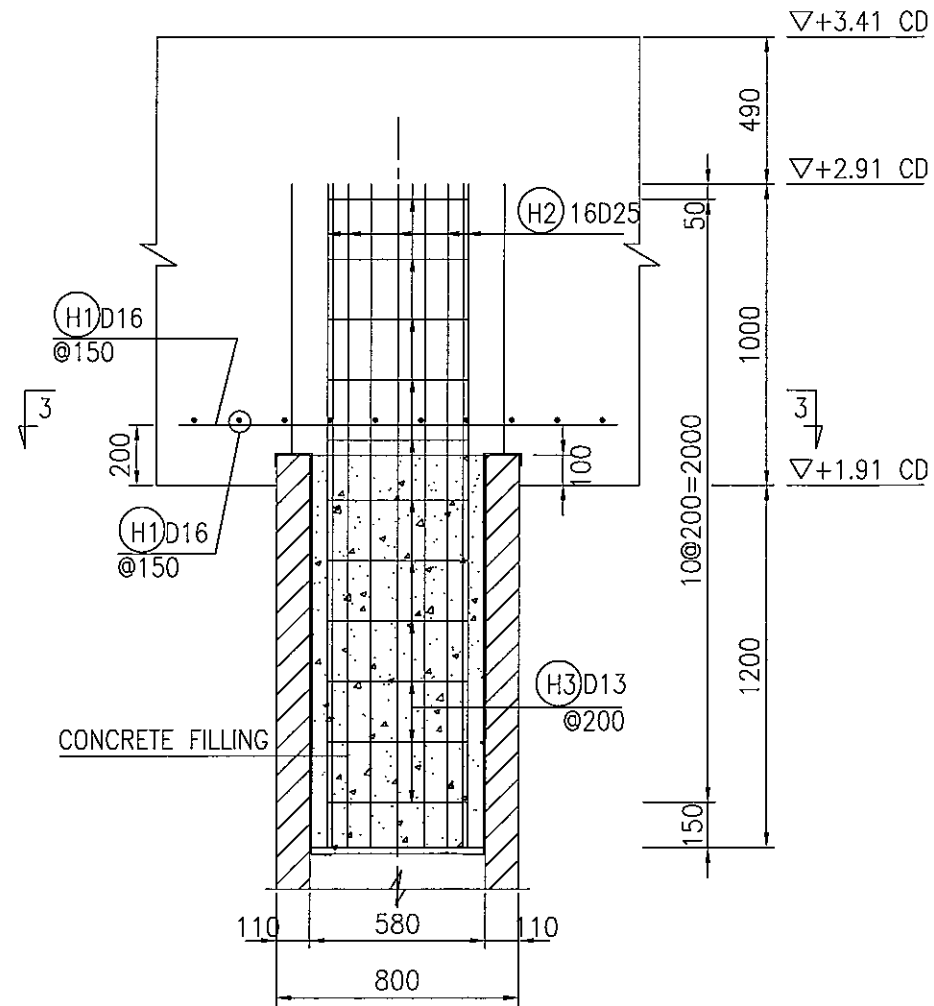
NOTES:

- DIMENSIONS ARE IN MILLIMETRES.
- ELEVATIONS ARE IN METRES - CHART DATUM.

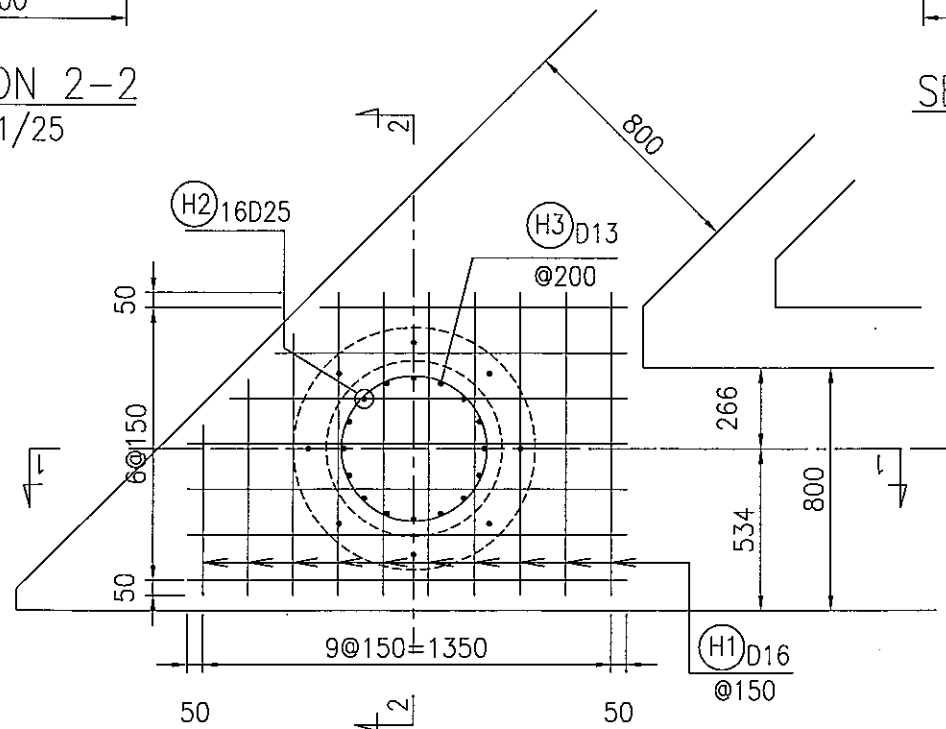
<p>THE SOCIALIST REPUBLIC OF VIETNAM MINISTRY OF TRANSPORT PROJECT MANAGEMENT UNIT 85</p>			<p>CAI MEP - THI VAI INTERNATIONAL PORT CONSTRUCTION PROJECT</p>		<p>DESIGNED BY: BUI AN LOC</p>	<p>SECTION: CIVIL WORKS</p>
<p>JICA JAPAN INTERNATIONAL COOPERATION AGENCY ASSIGNED TO: JAPAN PORT CONSULTANT (JPC) PACIFIC CONSULTANTS INTERNATIONAL (PCI) INTERNATIONAL DEVELOPMENT SYSTEM (IDS)</p>			<p>PACKAGE 2 CONSTRUCTION OF PORT FACILITIES AND BUILDINGS FOR THI VAI AREA</p>		<p>DRAWN BY: NG. DUY QUANG</p>	<p>SUB-SECTION: TRESTLE</p>
<p>DESCRIPTION</p>			<p>BY</p>		<p>CHECKED BY: YOSHIDA Y.</p>	<p>TITLE OF DRAWING: STRUCTURE OF PC PILE TOP (1)</p>
<p>APP</p>			<p>PC REINFOR</p>		<p>APPROVED BY: NAGAI K.</p>	<p>DWC NO: PAC2-TV-TRS-040</p>
<p>DATE</p>			<p>SCALE</p>		<p>ISSUE DATE: 9/SEP/2005</p>	<p>REV. NO</p>
<p>DATE</p>			<p>SCALE</p>		<p>SCALE: 1/10, 1/25</p>	



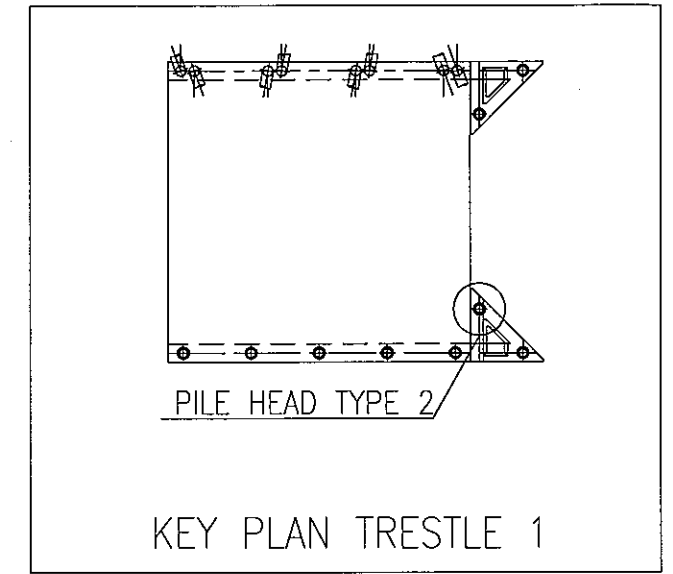
SECTION 2-2
SC=1/25



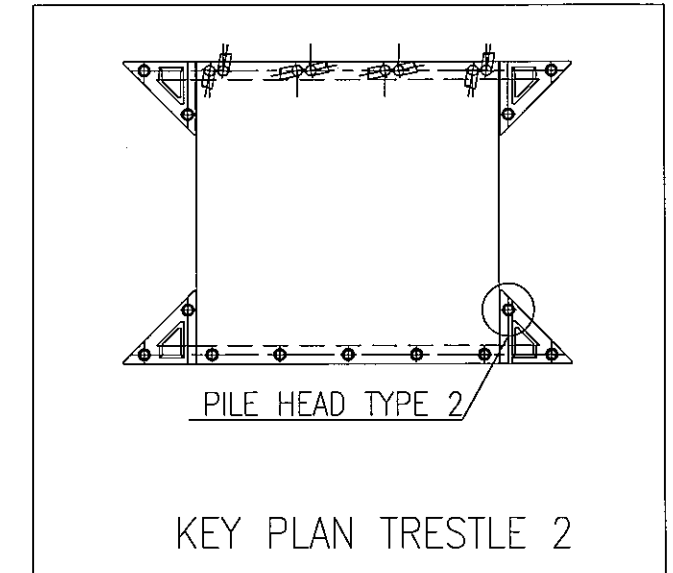
SECTION 1-1
SC=1/25



PILE HEAD TYPE 2
SC=1/25



KEY PLAN TRESTLE 1



KEY PLAN TRESTLE 2

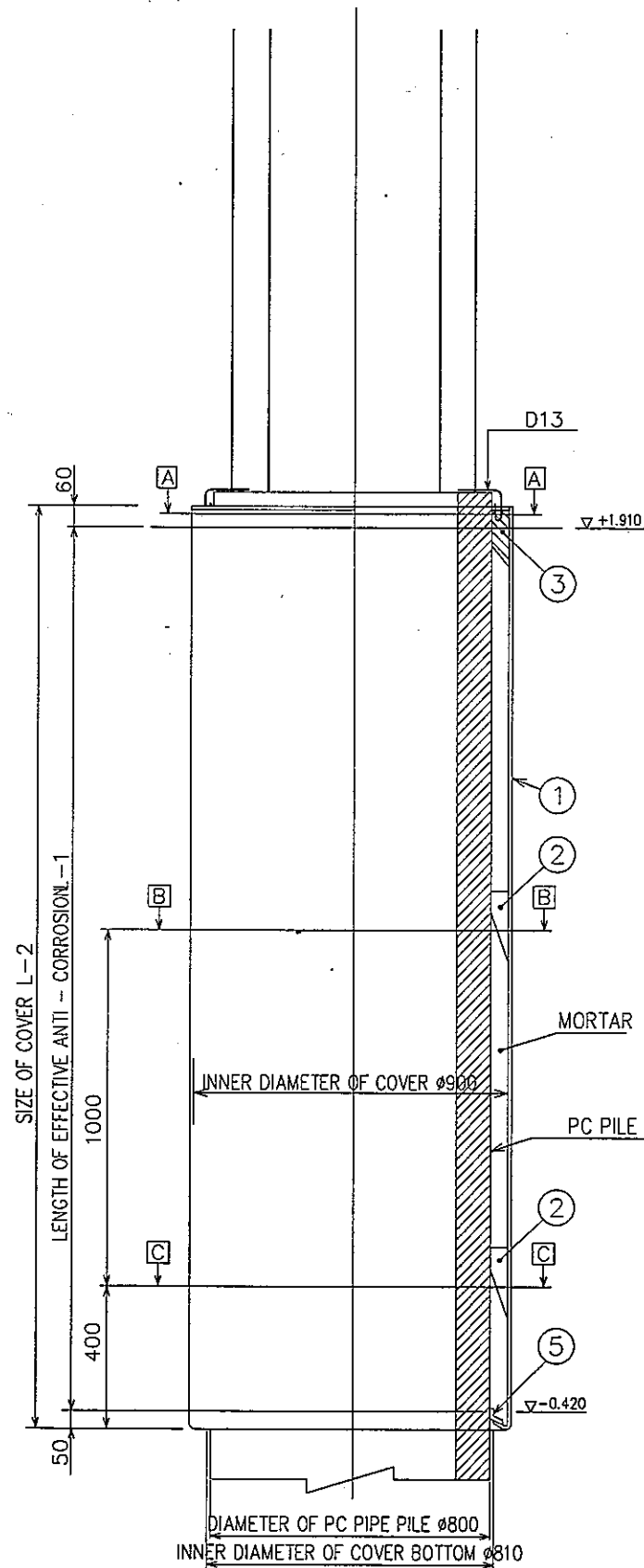
NOTES:

- DIMENSIONS ARE IN MILLIOMETRES.
- ELEVATIONS ARE IN METRES - CHART DATUM.

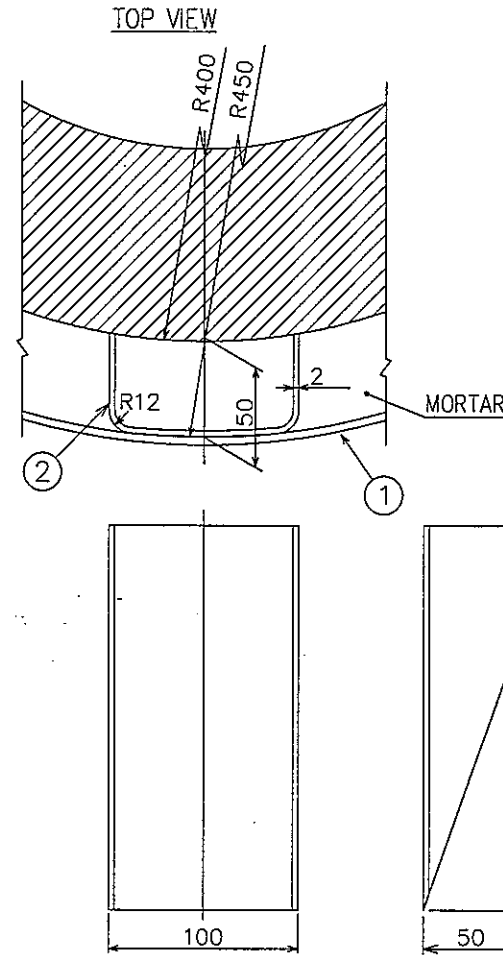
<p>THE SOCIALIST REPUBLIC OF VIETNAM MINISTRY OF TRANSPORT PROJECT MANAGEMENT UNIT 85</p>			<p>CAI MEP - THI VAI INTERNATIONAL PORT CONSTRUCTION PROJECT</p>			<p>DESIGNED BY: BUI AN LOC DRAWN BY: NG. DUY QUANG CHECKED BY: YOSHIDA Y. APPROVED BY: NAGAI K. ISSUE DATE: 15/SEP/2005 SCALE: 1/10, 1/25</p>			<p>SECTION: CIVIL WORKS SUB-SECTION: TRESTLE TITLE OF DRAWING: STRUCTURE OF P.C PILE TOP (2) DWG NO: PAC2-TV-TRS-041</p>		
<p>JICA JAPAN INTERNATIONAL COOPERATION AGENCY ASSIGNED TO: JAPAN PORT CONSULTANT (JPC) PACIFIC CONSULTANTS INTERNATIONAL (PCI) INTERNATIONAL DEVELOPMENT SYSTEM (IDS)</p>			<p>PMU85 PACKAGE 2 CONSTRUCTION OF PORT FACILITIES AND BUILDINGS FOR THI VAI AREA</p>			<p>REV. NO</p>					
DESCRIPTION	BY	APP									

DETAIL CROSS - SECTIONAL VIEW OF F.R.P. COVER S=1:10

DETAIL OF F.R.P COVER (FOR PC PILE)

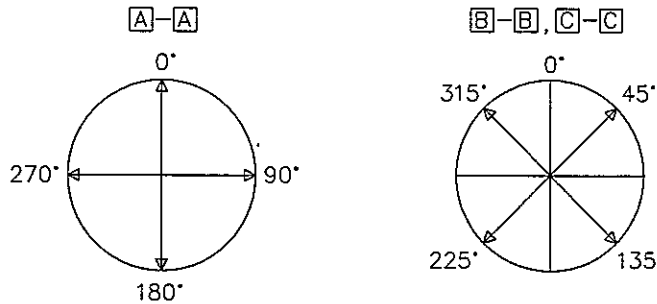


② DETAILS OF F.R.P. SPACER S=1:2



F.R.P.SPACER IS FASTENED TO THE MAIN BODY COVER WITH F.R.P.OVERLY

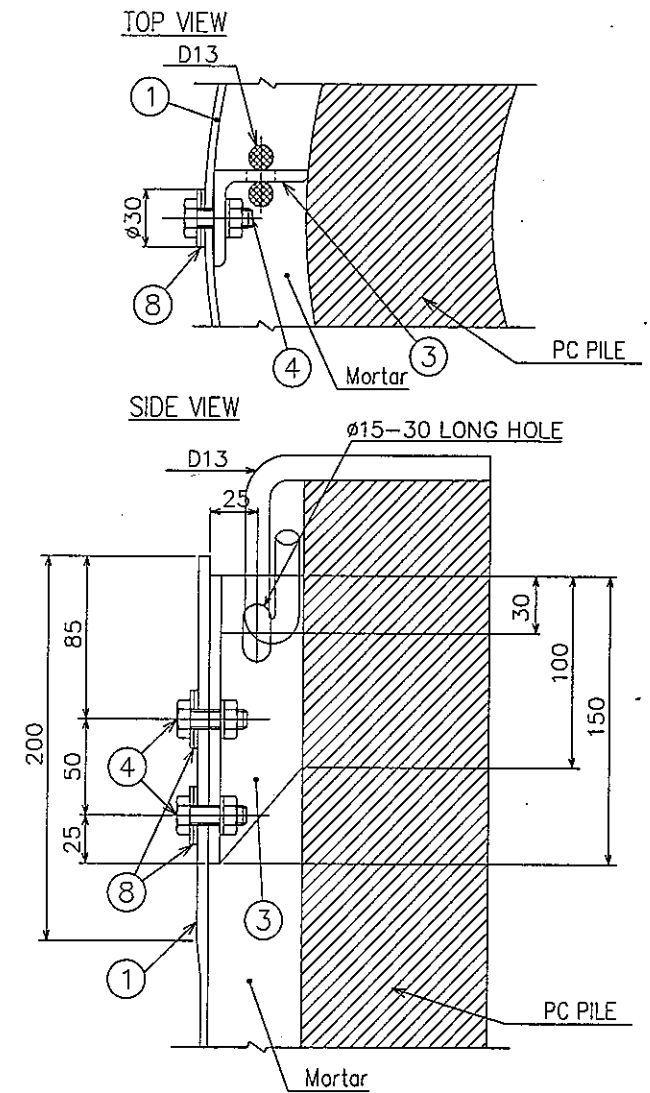
LOCATION OF UPPER WELDING FIXTURES LOCATION OF F.R.P. SPACERS



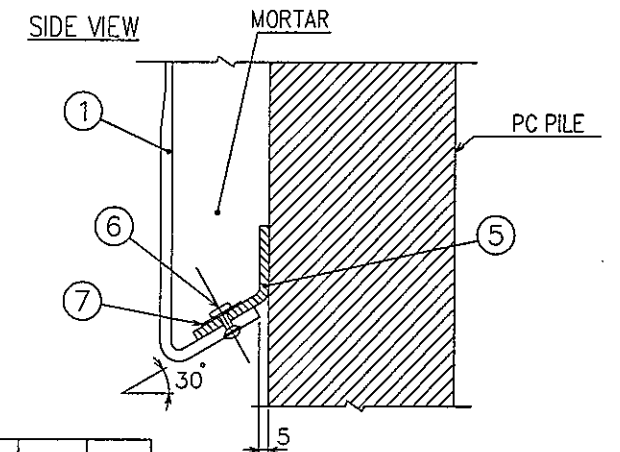
No.	NAME	MATERIAL	QUANTITY	SYMBOL	REMARKS
9					
8	RUBBER PACKING FOR UPPER FIXTURE	RUBBER	8	pcs	t=2m/m
7	WASHER ON MORTAR SUPPORTER	UNI-CHROME	14	pcs	ø25xø5x1
6	STAINLESS STEEL RIVET	SUS304	14	pcs	
5	MOTAR SUPPORTER	Rubber	1	pcs	t=5m/m
4	BOLT FOR UPPER FIXTURE	SUS304	8	pcs	M10x30 (B.N.2W)
3	UPPER FIXTURE	SS400	4	pcs	L=50x50xt6xL150
2	F.R.P. SPACER	F.R.P.	8	pcs	
1	F.R.P. COVER	F.R.P.	1	pcs	

CLASS	TYPE	PILE MOUNTING ANGLE	OUTER DIAMETER OF PC PILE (mm)	UPPER END Mounting level (m)	LOWER END (m)	INNER DIAMETER	L-1	L-2
			800	+1.910	-0.420	900	2330	2440

③ DETAIL OF UPPER WELDING FIXTURES S=1:2



⑤ DETAIL OF MORTAR SUPPORTER S=1:2



<p>THE SOCIALIST REPUBLIC OF VIETNAM MINISTRY OF TRANSPORT PROJECT MANAGEMENT UNIT 85</p>					<p>CAI MEP - THI VAI INTERNATIONAL PORT CONSTRUCTION PROJECT</p>					<p>DESIGNED BY: YOSHIDA Y. DRAWN BY: P. T. THANH PHUONG CHECKED BY: YOSHIDA Y. APPROVED BY: NIAGAI K. ISSUE DATE: 15/SEP/2005 SCALE: 1/50, 1/100, 1/250</p>					<p>SECTION: CIVIL WORKS SUB-SECTION: TRESTLE TITLE OF DRAWING: DETAIL OF F.R.P COVER (FOR P.C PILE) DWG NO: PAC2-TV-TR5-042 REV. NO</p>				
<p>JICA JAPAN INTERNATIONAL COOPERATION AGENCY ASSIGNED TO: JAPAN PORT CONSULTANT (JPC) PACIFIC CONSULTANTS INTERNATIONAL (PCI) INTERNATIONAL DEVELOPMENT SYSTEM (IDS)</p>					<p>PACKAGE 2 CONSTRUCTION OF PORT FACILITIES AND BUILDINGS FOR THI VAI AREA</p>														
REV NO	DATE	DESCRIPTION	BY	APP															

CAI MEP - THI VAI INTERNATIONAL PORT CONSTRUCTION PROJECT
PACKAGE 2 : CONSTRUCTION OF PORT FACILITIES AND BUILDINGS FOR THI VAI AREA
VOLUME IV : BID DRAWINGS - CIVIL AND UTILITY WORKS -
LIST OF THE DRAWINGS

[5] REVETMENT, [6] RECLAMATION, [7] SOIL IMPROVEMENT, [8] DREDGING

DWG NO.	TITLE OF DRAWING	DWG NO.	TITLE OF DRAWING	DWG NO.	TITLE OF DRAWING
REVETMENT					
PAC2- TV- RVM- 001	General Plan				
PAC2- TV- RVM- 002	Cross Section				
RECLAMATION					
PAC2- TV- REC- 001	General Plan				
PAC2- TV- REC- 002	Cross Section				
SOIL IMPROVEMENT					
PAC2- TV- SIP- 001	General Plan				
PAC2- TV- SIP- 002	Cross Sections				
PAC2- TV- SIP- 003	Plan of Geotextile Sheets				
PAC2- TV- SIP- 004	Horizontal Drainage System				
PAC2- TV- SIP- 005	Lateral Strip Drain				
PAC2- TV- SIP- 006	General Plan of DMM				
PAC2- TV- SIP- 007	Cross Section of DMM				
PAC2- TV- SIP- 008	Monitoring Plan				
PAC2- TV- SIP- 009	Monitoring Instruments				
DREDGING					
PAC2- TV- DRG- 001	General plan				
PAC2- TV- DRG- 002	Cross Section (1/4)				
PAC2- TV- DRG- 003	Cross Section (2/4)				
PAC2- TV- DRG- 004	Cross Section (3/4)				
PAC2- TV- DRG- 005	Cross Section (4/4)				