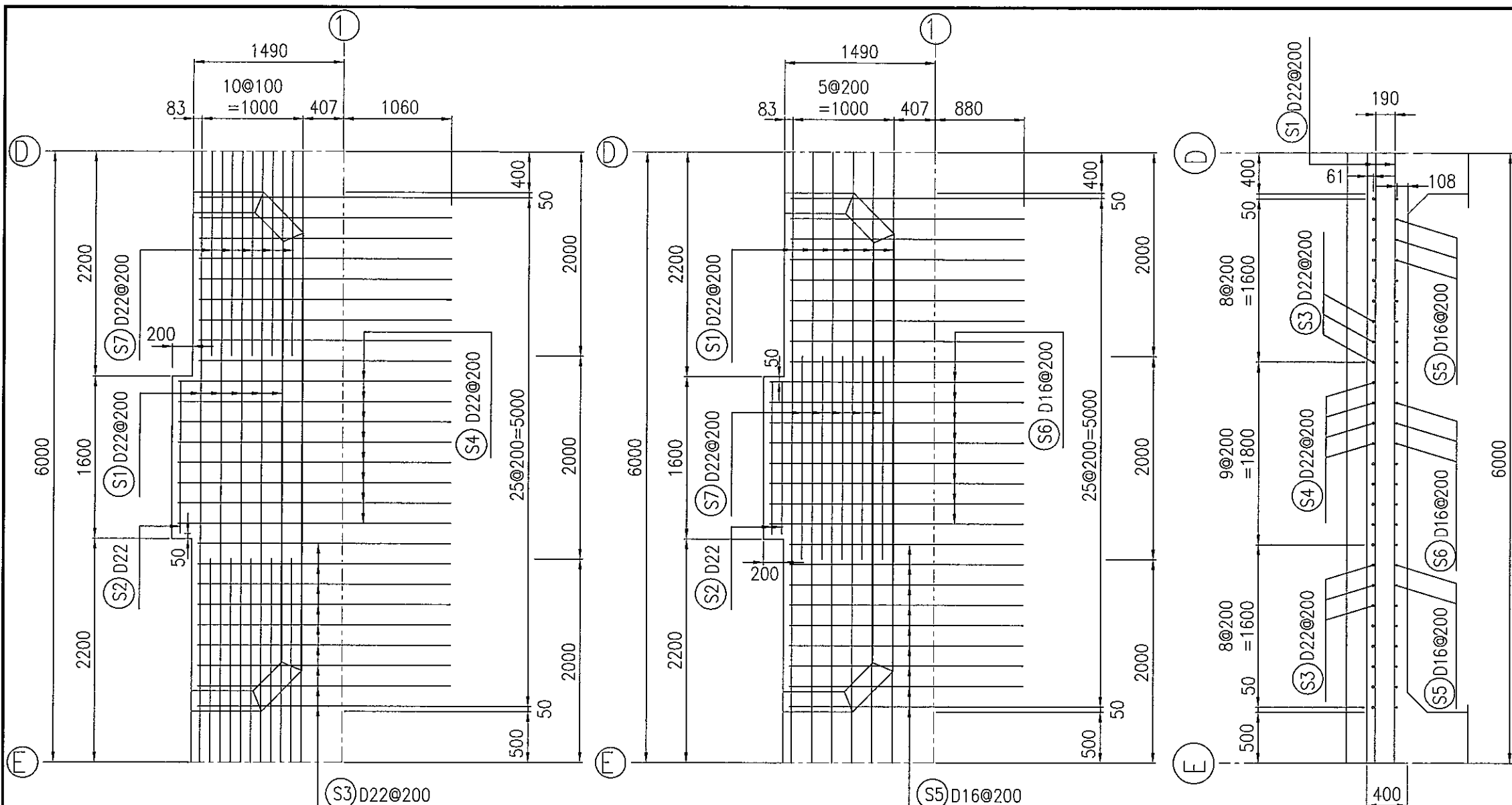


LEGENDS

- DIMENSIONS ARE IN MILLIMETER.
- ELEVATIONS ARE IN METER - CHART DATUM.
- NUMBERS OF SLAB OF TYPE S8 ARE 3 NOS/BLOCK.

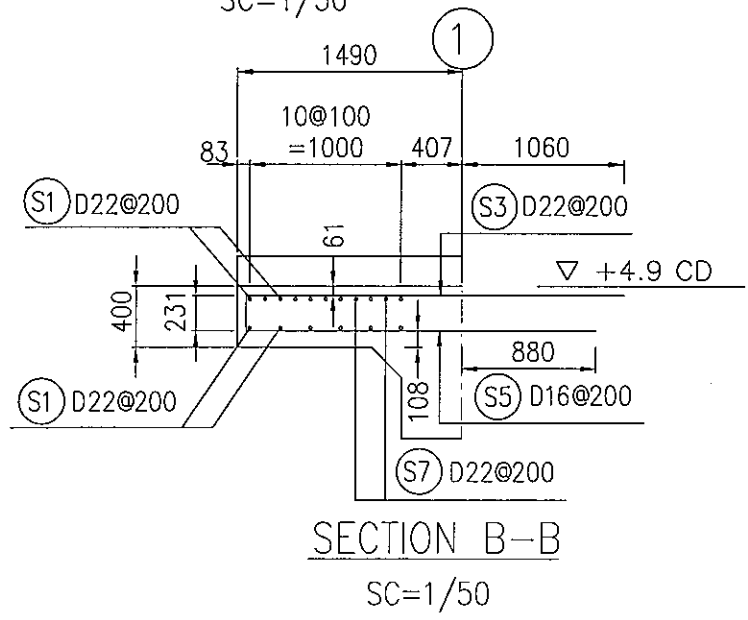
THE SOCIALIST REPUBLIC OF VIETNAM MINISTRY OF TRANSPORT PROJECT MANAGEMENT UNIT 85					CAI MEP - THI VAI INTERNATIONAL PORT CONSTRUCTION PROJECT		DESIGNED BY: TRAN KHANH HUNG		SECTION: CIVIL WORKS	
JICA JAPAN INTERNATIONAL COOPERATION AGENCY ASSIGNED TO: JAPAN PORT CONSULTANT (JPC) PACIFIC CONSULTANTS INTERNATIONAL (PCI) INTERNATIONAL DEVELOPMENT SYSTEM (IDS)					PACKAGE 2 CONSTRUCTION OF PORT FACILITIES AND BUILDINGS FOR THI VAI AREA		DRAWN BY: VU THI HANG		SUB-SECTION: QUAY FACILITIES	
							CHECKED BY: YOSHIDA Y.		TITLE OF DRAWING: BARS ARRANGEMENT OF SLAB OF TYPE S8	
							APPROVED BY: NAGAI K.		DWG NO: PAC2-TV-QAF-062	
							ISSUE DATE: 15/SEP/2005		REV. NO	
							SCALE: 1/50			



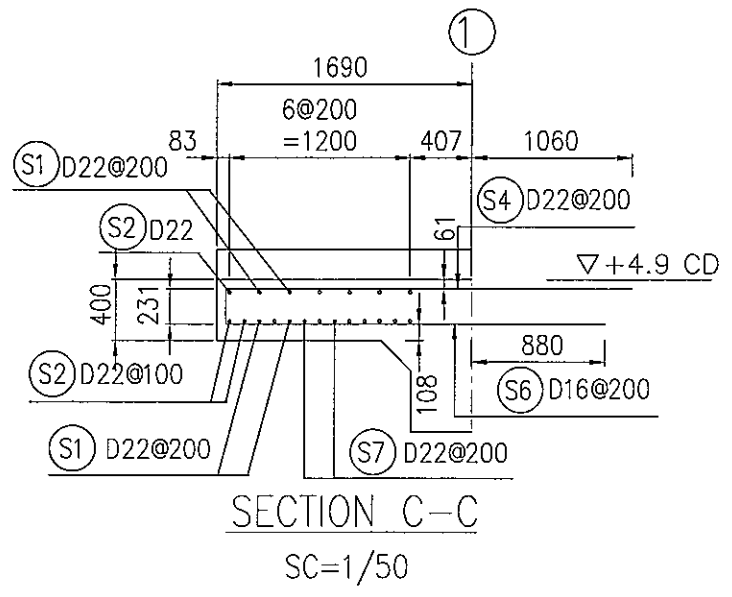
TOP STEEL NET
SC=1/50

BOTTOM STEEL NET
SC=1/50

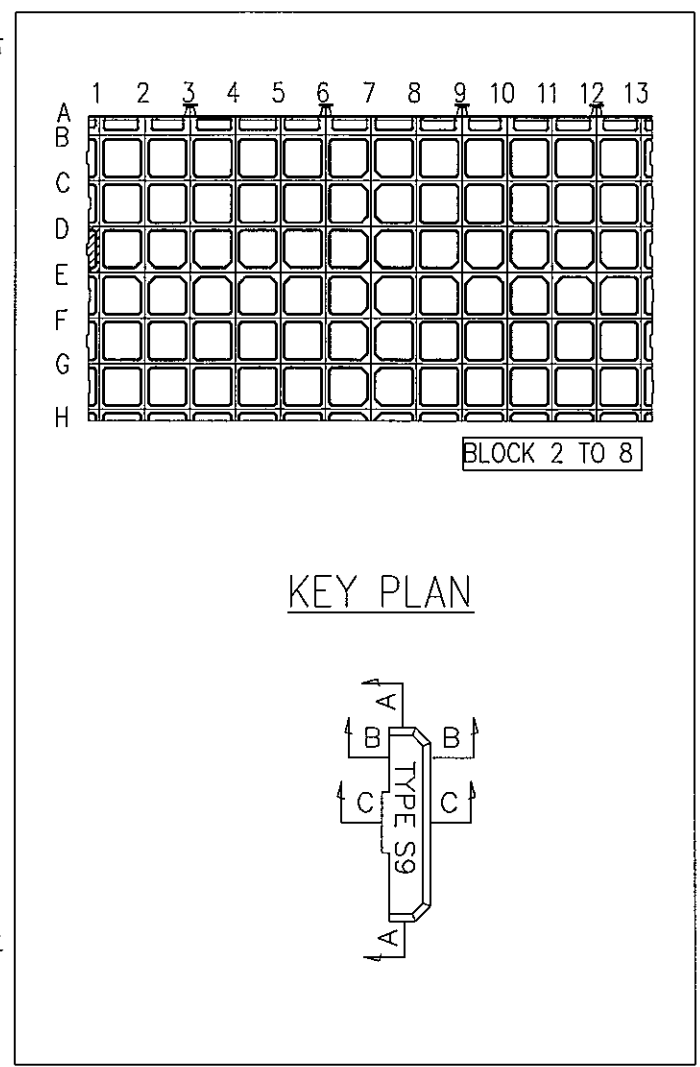
SECTION A-A
SC=1/50



SECTION B-B
SC=1/50



SECTION C-C
SC=1/50

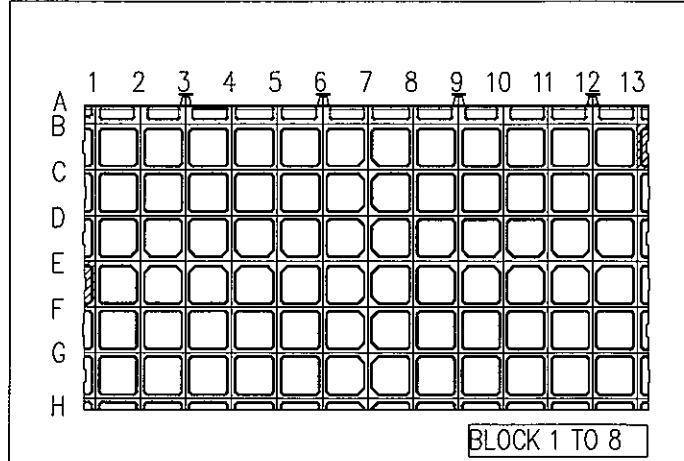
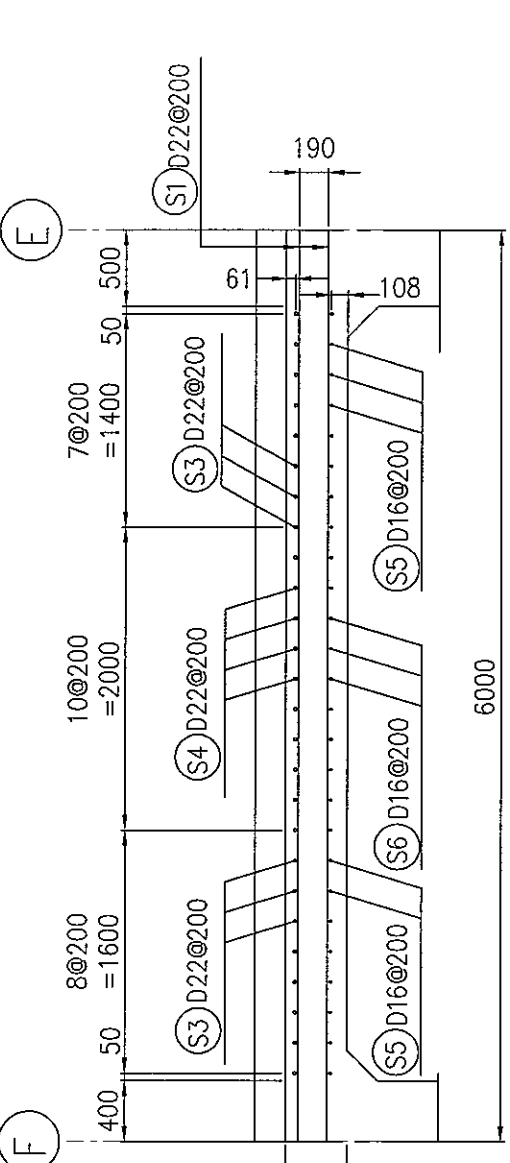
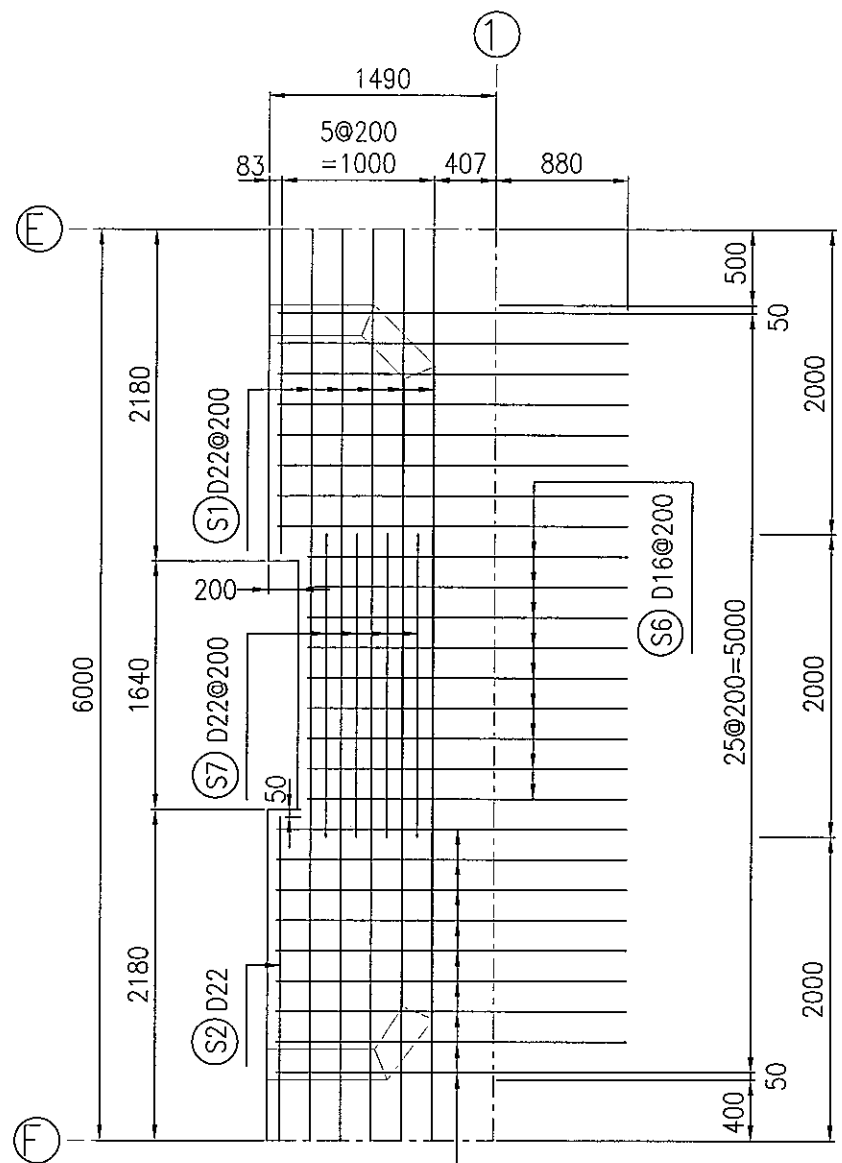
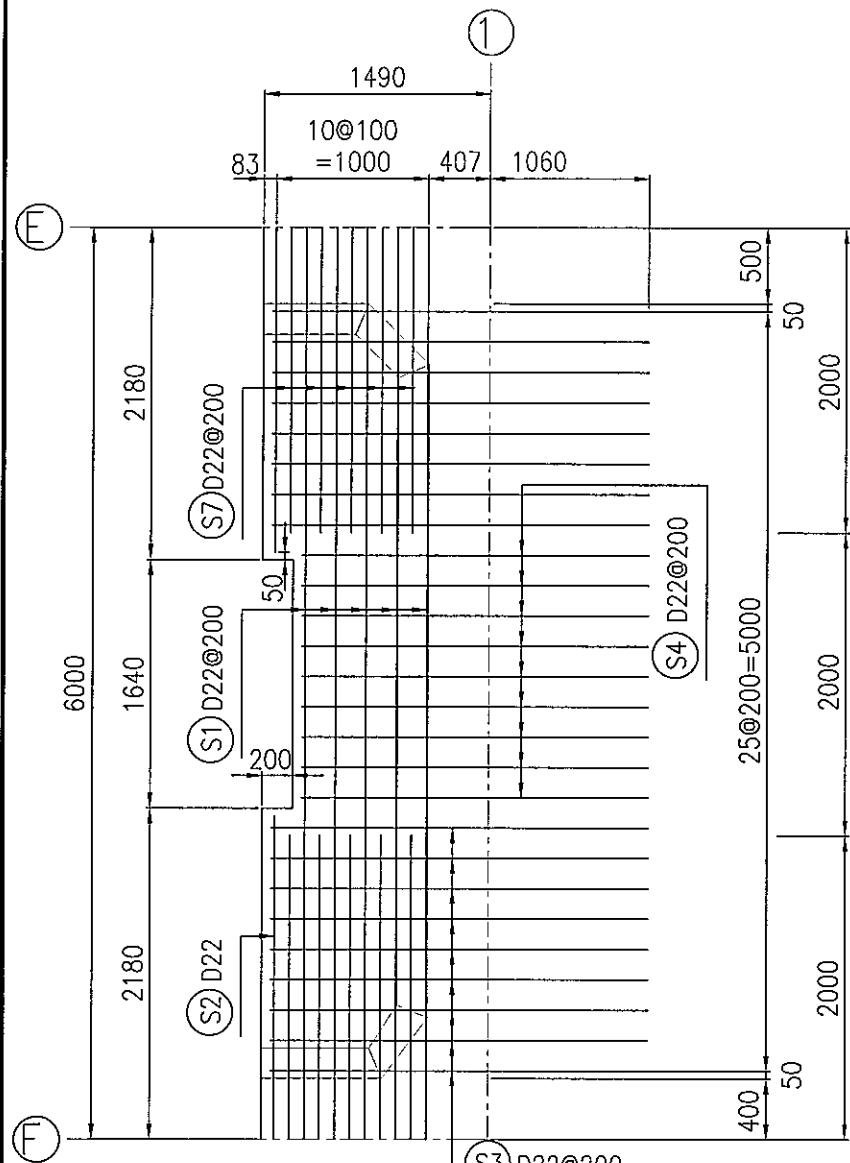


KEY PLAN

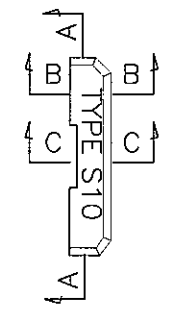
LEGENDS

- DIMENSIONS ARE IN MILLIMETER.
- ELEVATIONS ARE IN METER - CHART DATUM.
- NUMBERS OF SLAB OF TYPE S9 ARE 1 NOS/BLOCK.

<p>THE SOCIALIST REPUBLIC OF VIETNAM MINISTRY OF TRANSPORT PROJECT MANAGEMENT UNIT 85</p>					<p>CAI MEP - THI VAI INTERNATIONAL PORT CONSTRUCTION PROJECT</p>		<p>DESIGNED BY: TRAN KHANH HUNG DRAWN BY: VU THI HANG CHECKED BY: YOSHIDA Y. APPROVED BY: NAGAI K. ISSUE DATE: 15/SEP/2005 SCALE: 1/50</p>		<p>SECTION: CIVIL WORKS SUB-SECTION: QUAY FACILITIES TITLE OF DRAWING: BARS ARRANGEMENT OF SLAB OF TYPE S9 DWG NO: PAC2-TV-QAF-063 REV. NO</p>	
<p>JICA JAPAN INTERNATIONAL COOPERATION AGENCY ASSIGNED TO: JAPAN PORT CONSULTANT (JPC) PACIFIC CONSULTANTS INTERNATIONAL (PCI) INTERNATIONAL DEVELOPMENT SYSTEM (IDS)</p>					<p>PACKAGE 2 CONSTRUCTION OF PORT FACILITIES AND BUILDINGS FOR THI VAI AREA</p>					
REV. NO	DATE	DESCRIPTION	BY	APP						



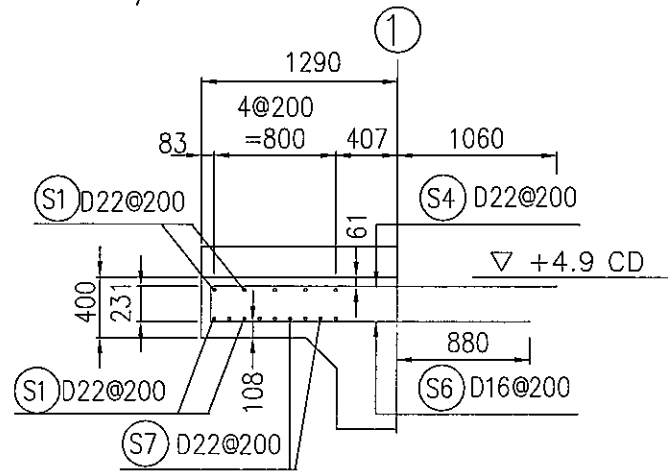
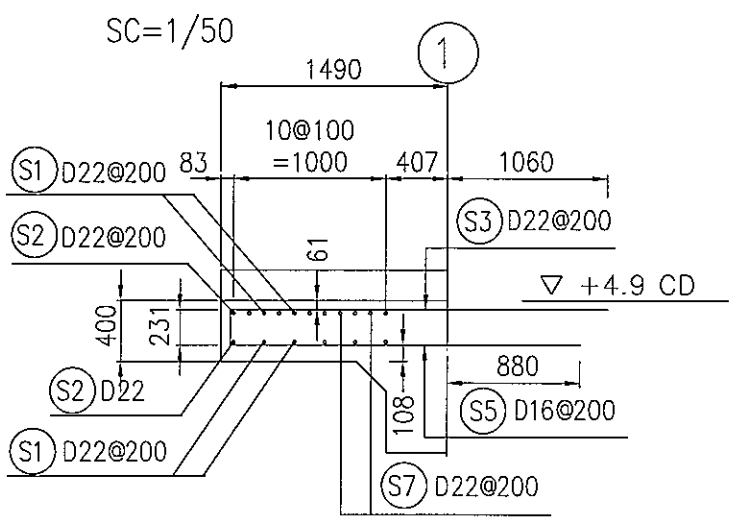
KEY PLAN



TOP STEEL NET

BOTTOM STEEL NET

SECTION A-A



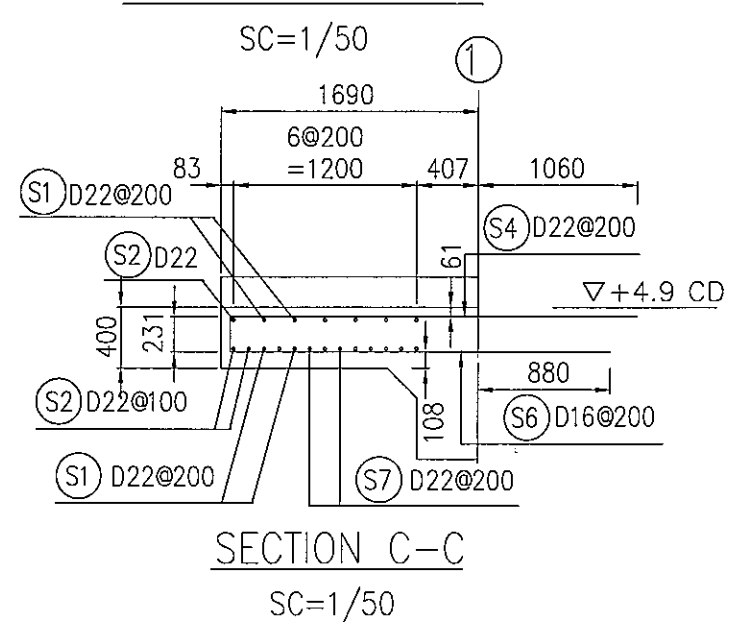
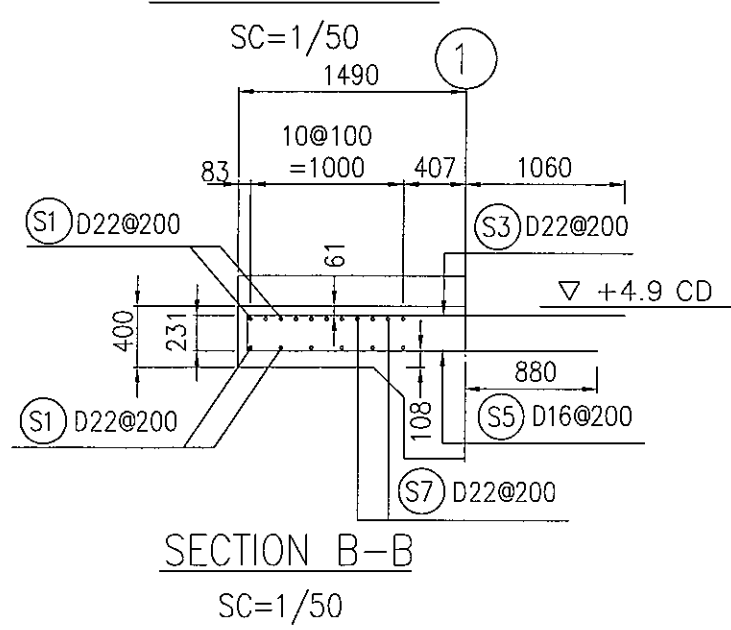
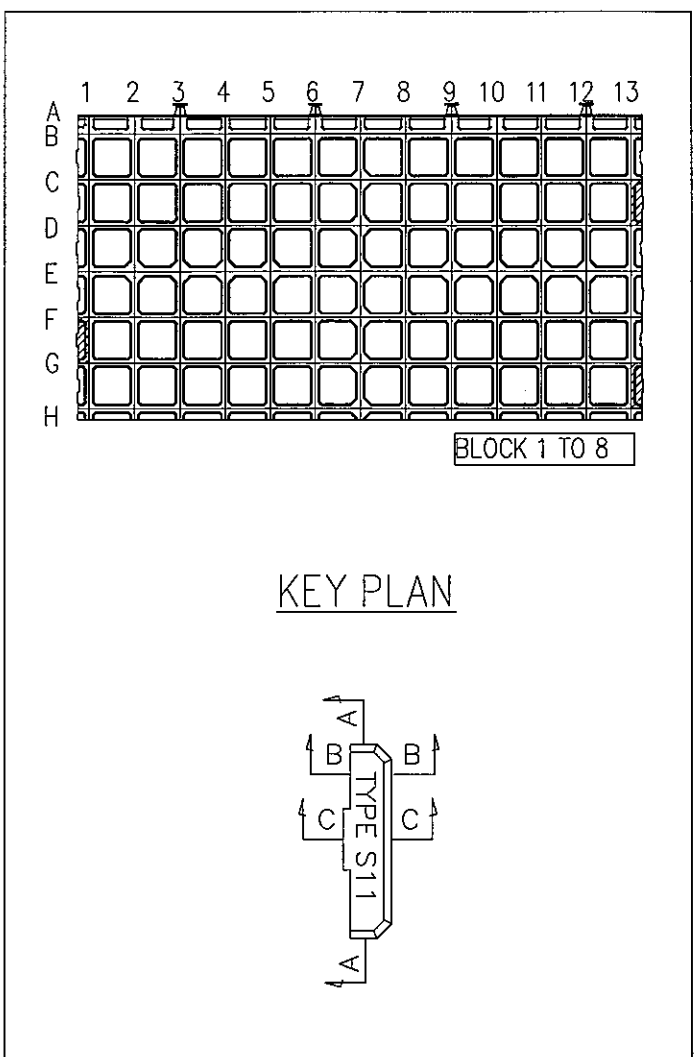
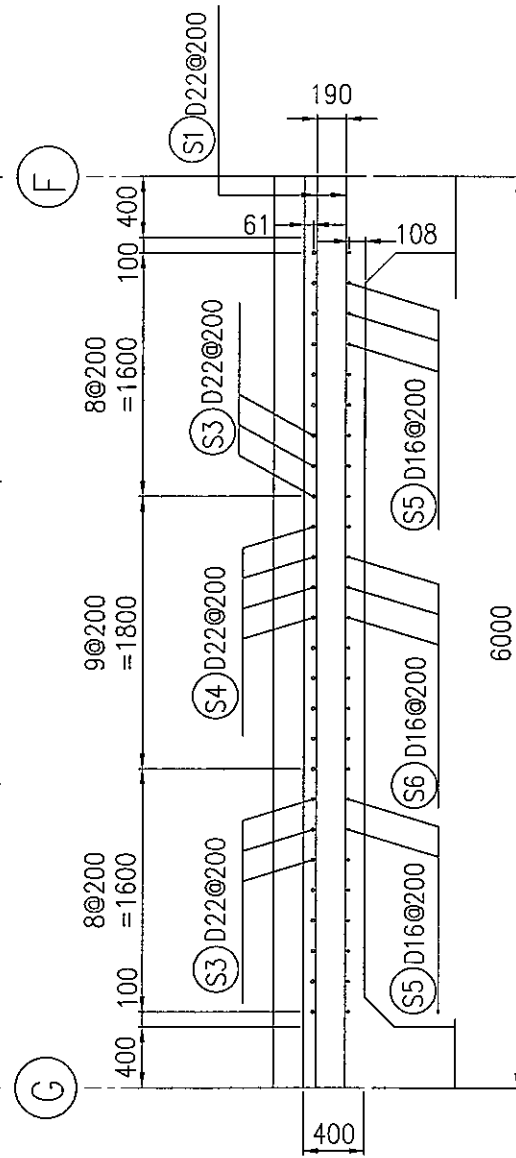
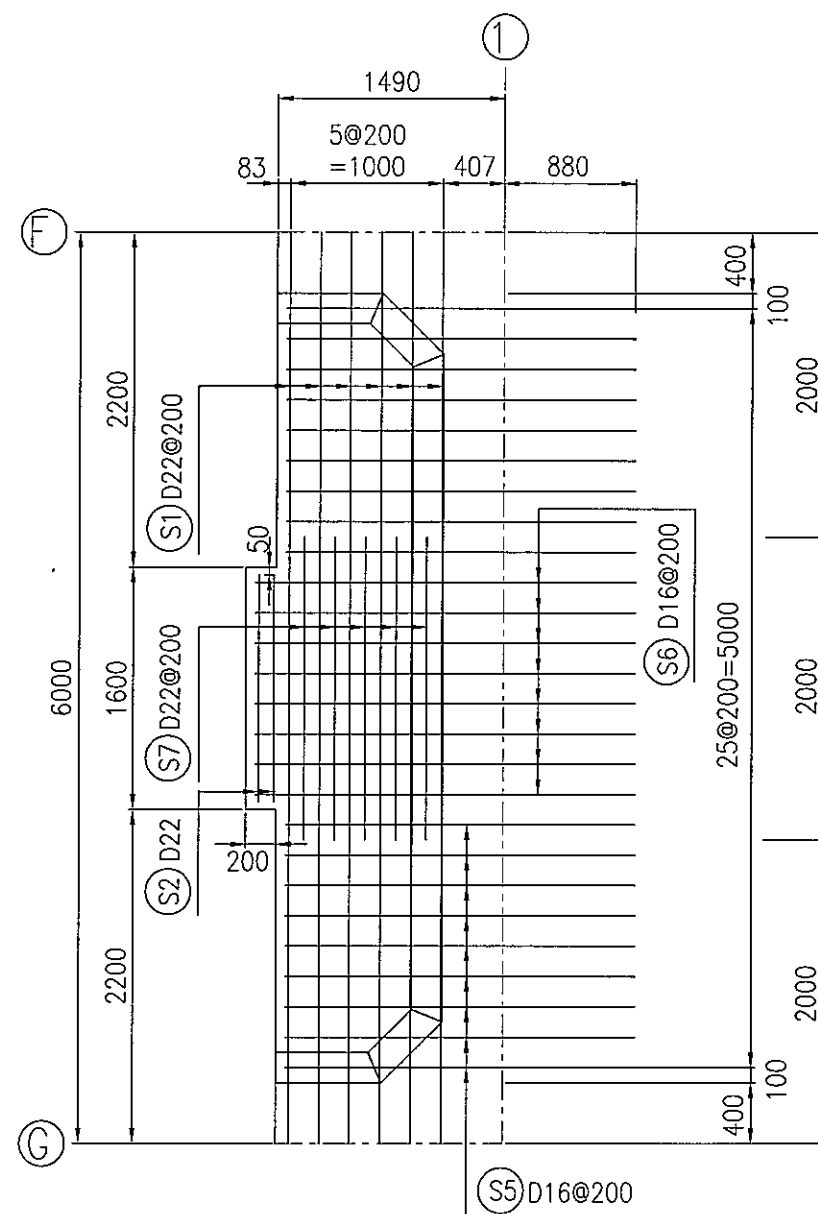
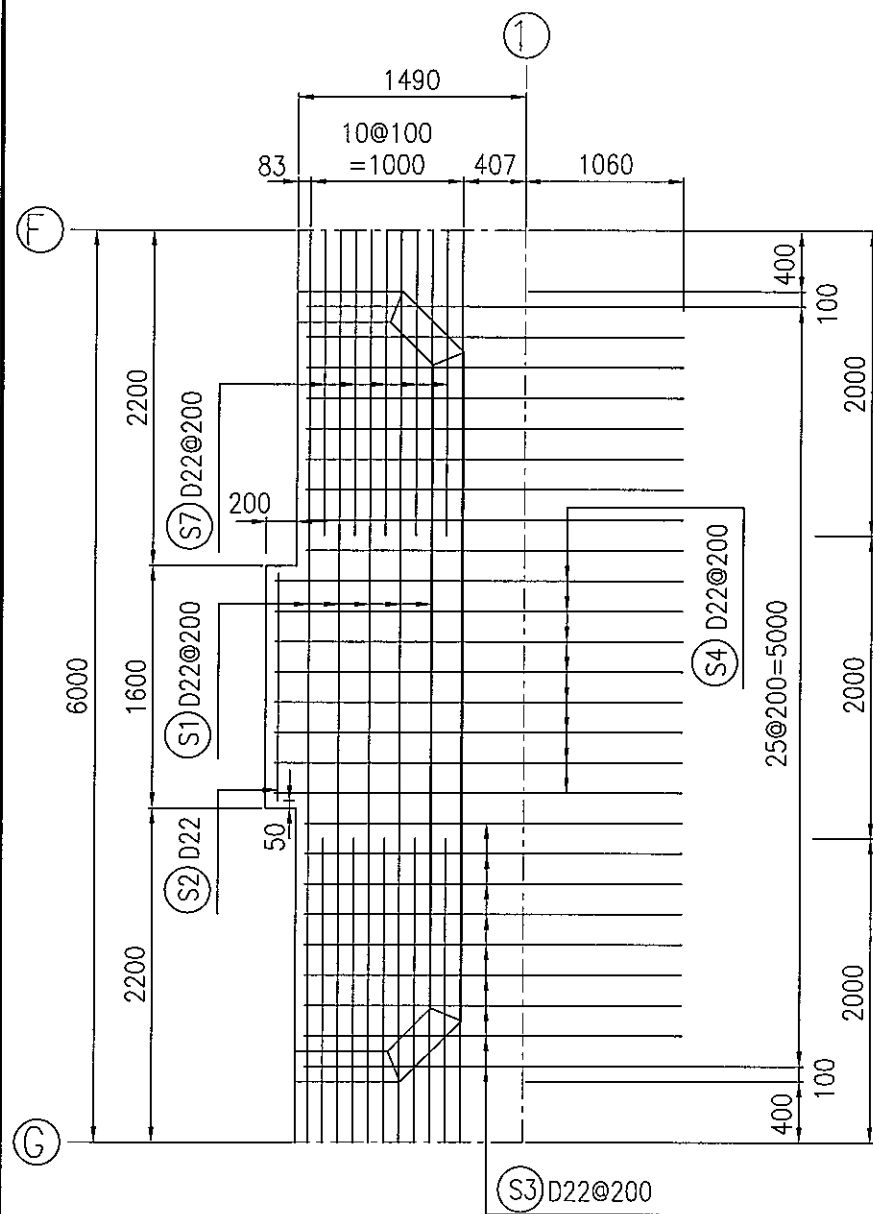
SECTION B-B

SECTION C-C

LEGENDS

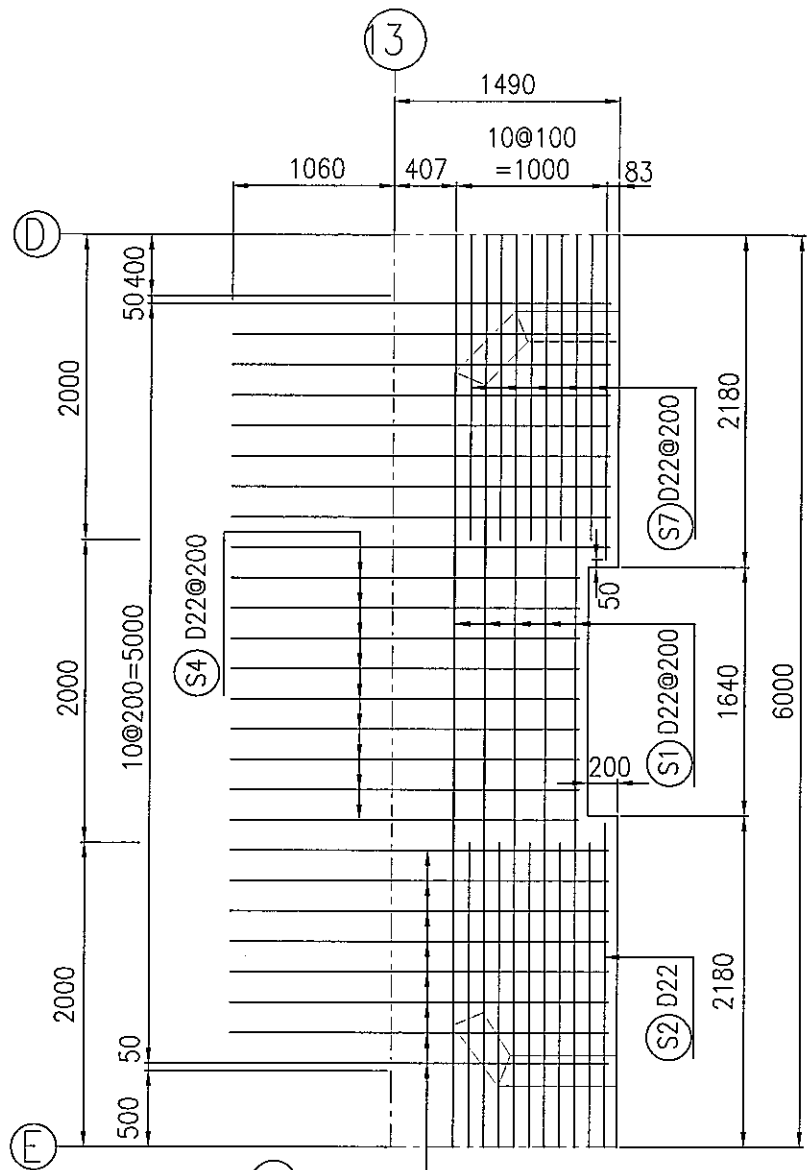
- DIMENSIONS ARE IN MILLIMETER.
- ELEVATIONS ARE IN METER - CHART DATUM.
- NUMBERS OF SLAB OF TYPE S10 ARE 2 NOS/BLOCK.

					THE SOCIALIST REPUBLIC OF VIETNAM MINISTRY OF TRANSPORT PROJECT MANAGEMENT UNIT 85		CAI MEP - THI VAI INTERNATIONAL PORT CONSTRUCTION PROJECT		DESIGNED BY: TRAN KHANH HUNG		SECTION: CIVIL WORKS	
					JAPAN INTERNATIONAL COOPERATION AGENCY ASSIGNED TO: JAPAN PORT CONSULTANT (JPC) PACIFIC CONSULTANTS INTERNATIONAL (PCI) INTERNATIONAL DEVELOPMENT SYSTEM (IDS)		PACKAGE 2 CONSTRUCTION OF PORT FACILITIES AND BUILDINGS FOR THI VAI AREA		DRAWN BY: LU THI HANG		SUB-SECTION: QUAY FACILITIES	
									CHECKED BY: YOSHIDA Y.		TITLE OF DRAWING: BARS ARRANGEMENT OF SLAB OF TYPE S10	
									APPROVED BY: NAGAI K.		DWG NO: PAC2-TV-QAF-064	
									ISSUE DATE: 13/SEP/2005		REV. NO	
									SCALE: 1/50			

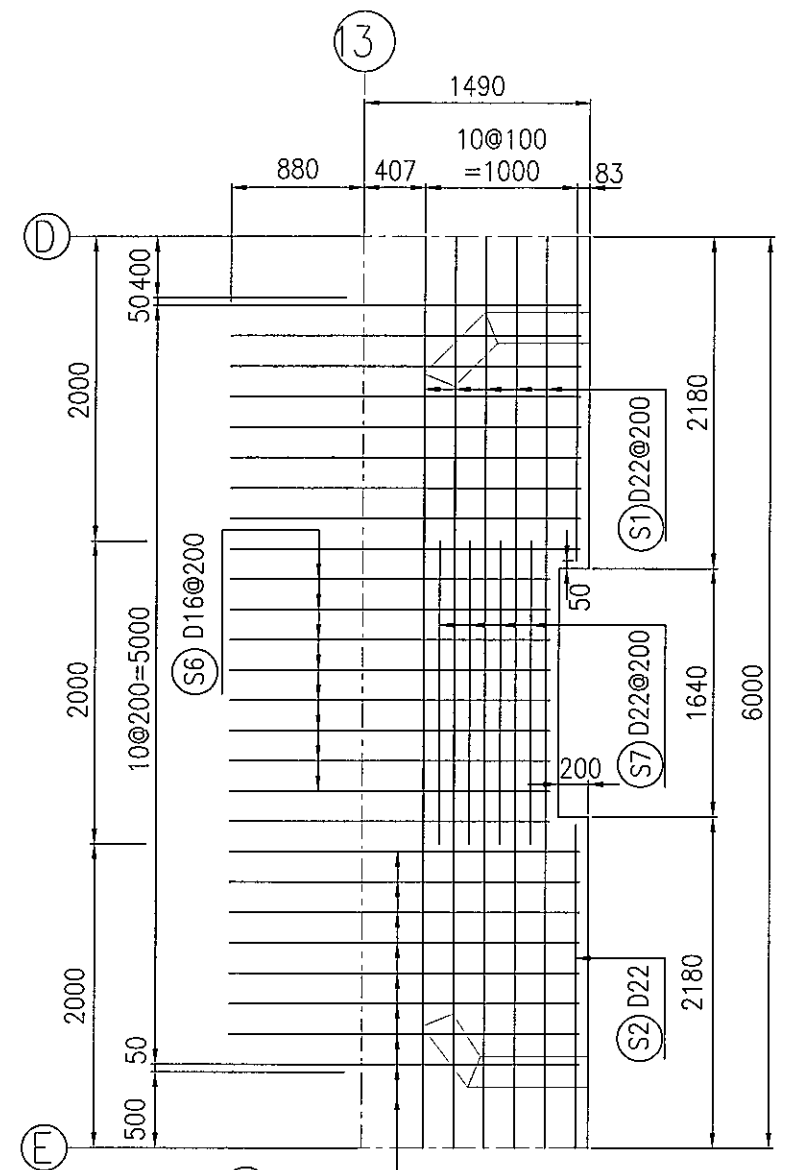


- LEGENDS**
- DIMENSIONS ARE IN MILLIMETER.
 - ELEVATIONS ARE IN METER - CHART DATUM.
 - NUMBERS OF SLAB OF TYPE S11 ARE 3 NOS/BLOCK.

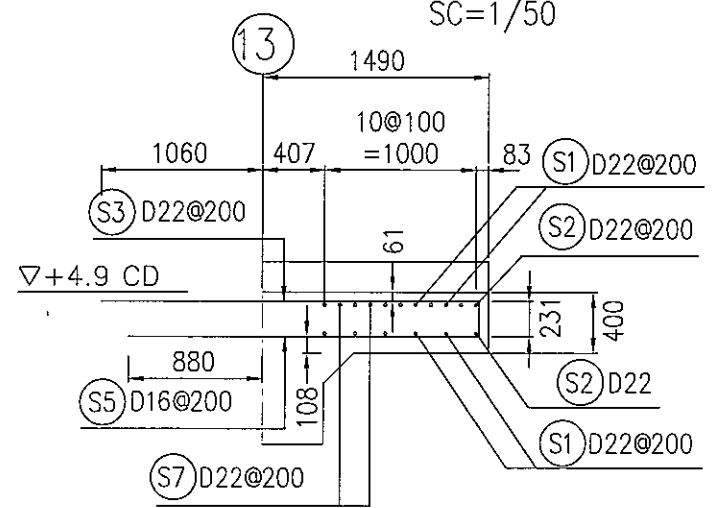
<p>THE SOCIALIST REPUBLIC OF VIETNAM MINISTRY OF TRANSPORT PROJECT MANAGEMENT UNIT 85</p>					<p>CAI MEP - THI VAI INTERNATIONAL PORT CONSTRUCTION PROJECT</p>		<p>DESIGNED BY: TRAN KHANH HUNG</p>		<p>SECTION: CIVIL WORKS</p>	
<p>JAPAN INTERNATIONAL COOPERATION AGENCY ASSIGNED TO: JAPAN PORT CONSULTANT (JPC) PACIFIC CONSULTANTS INTERNATIONAL (PCI) INTERNATIONAL DEVELOPMENT SYSTEM (IDS)</p>					<p>PACKAGE 2 CONSTRUCTION OF PORT FACILITIES AND BUILDINGS FOR THI VAI AREA</p>		<p>DRAWN BY: VU THI HANG</p>		<p>SUB-SECTION: QUAY FACILITIES</p>	
<p>APPROVED BY: NAGAI K.</p>					<p>ISSUE DATE: 13/SEP/2005</p>		<p>CHECKED BY: YOSHIDA Y.</p>		<p>TITLE OF DRAWING: BARS ARRANGEMENT OF SLAB OF TYPE S11</p>	
<p>SCALE: 1/50</p>					<p>DWG NO: PAC2-TV-QAF-065</p>		<p>REV. NO</p>			



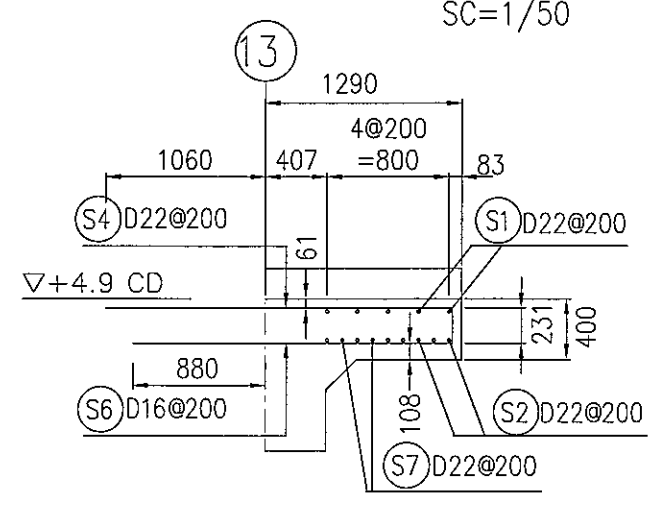
TOP STEEL NET
SC=1/50



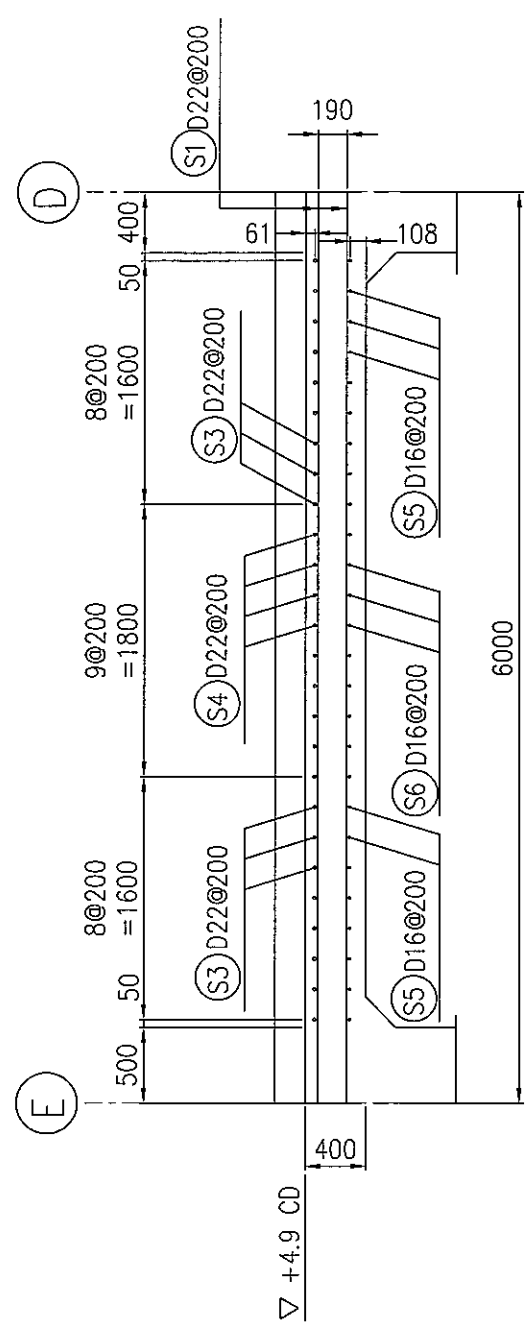
BOTTOM STEEL NET
SC=1/50



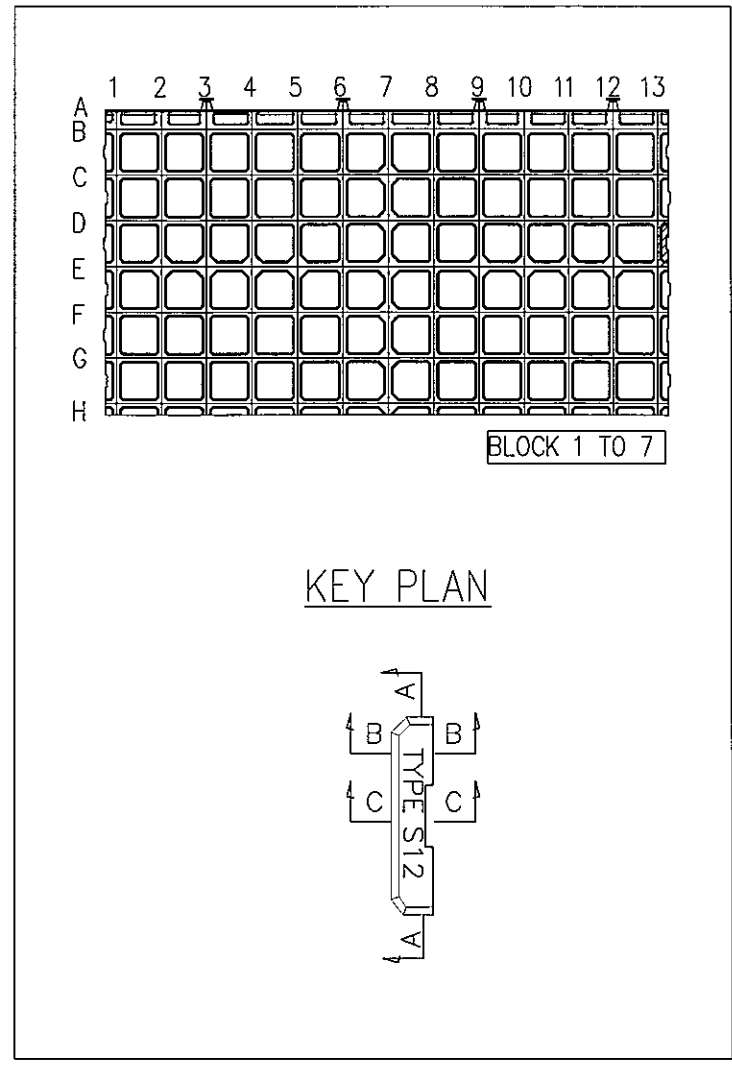
SECTION B-B
SC=1/50



SECTION C-C
SC=1/50



SECTION A-A
SC=1/50

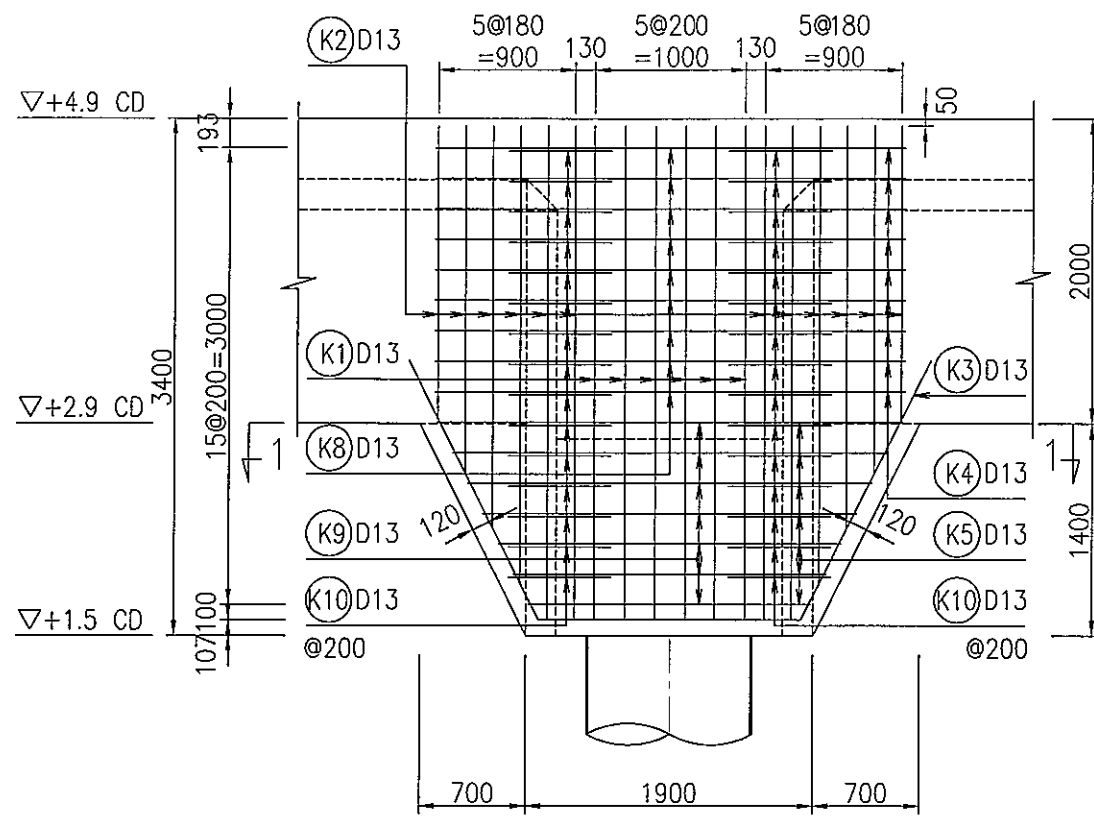


KEY PLAN

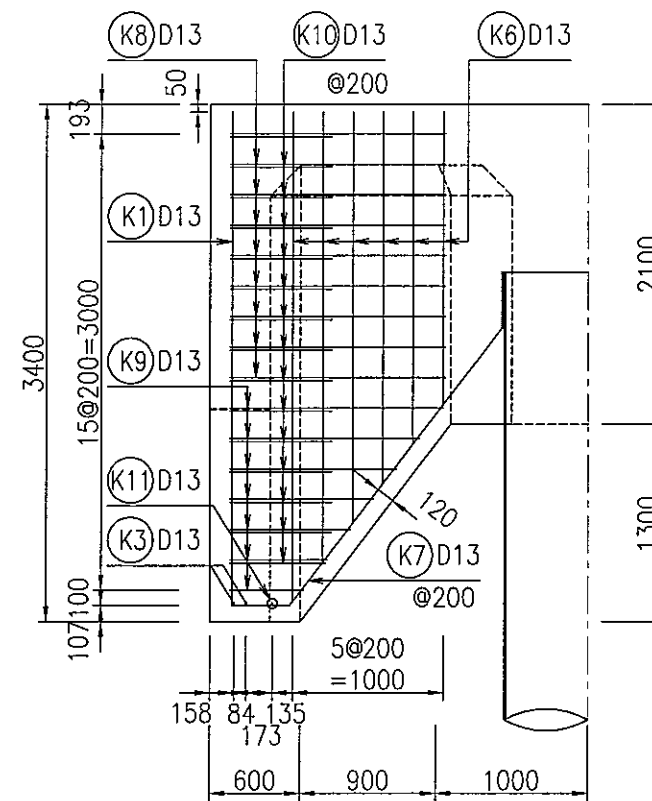
LEGENDS

- DIMENSIONS ARE IN MILLIMETER.
- ELEVATIONS ARE IN METER - CHART DATUM.
- NUMBERS OF SLAB OF TYPE S12 ARE 1 NOS/BLOCK.

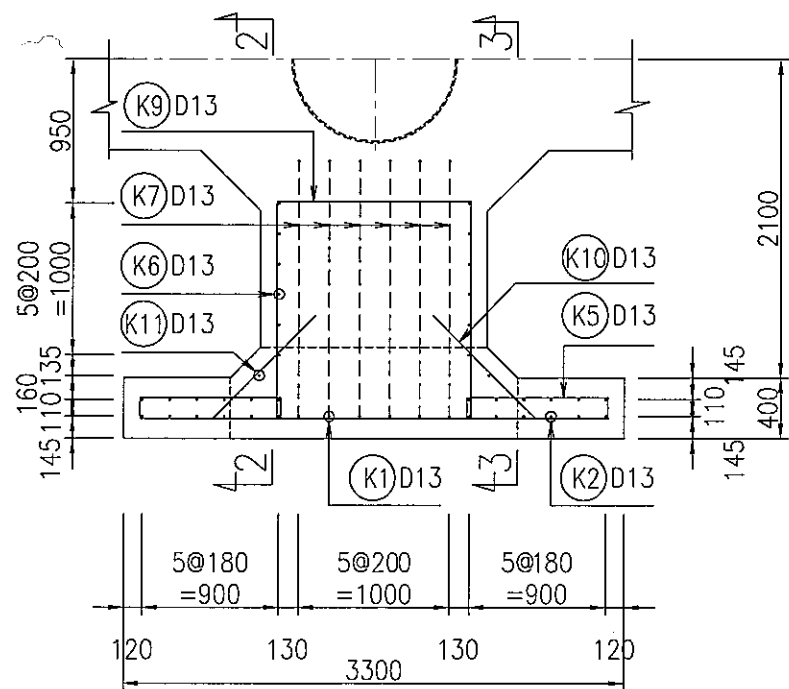
<p>THE SOCIALIST REPUBLIC OF VIETNAM MINISTRY OF TRANSPORT PROJECT MANAGEMENT UNIT 85</p>				<p>CAI MEP - THI VAI INTERNATIONAL PORT CONSTRUCTION PROJECT</p>		<p>DESIGNED BY: TRAN KHANH HUNG</p>		<p>SECTION: CIVIL WORKS</p>	
<p>JICA JAPAN INTERNATIONAL COOPERATION AGENCY ASSIGNED TO: JAPAN PORT CONSULTANT (JPC) PACIFIC CONSULTANTS INTERNATIONAL (PCI) INTERNATIONAL DEVELOPMENT SYSTEM (IDS)</p>				<p>PACKAGE 2 CONSTRUCTION OF PORT FACILITIES AND BUILDINGS FOR THI VAI AREA</p>		<p>DRAWN BY: VU THI HANG</p>		<p>SUB-SECTION: QUAY FACILITIES</p>	
<p>REV NO DATE DESCRIPTION BY APP</p>				<p>ISSUE DATE: 15/SEP/2005</p>		<p>CHECKED BY: YOSHIDA Y.</p>		<p>TITLE OF DRAWING: BARS ARRANGEMENT OF SLAB OF TYPE S12</p>	
						<p>APPROVED BY: NAGAI K.</p>		<p>DWG NO: PAC2-TV-QAF-066</p>	
						<p>SCALE: 1/50</p>		<p>REV. NO</p>	



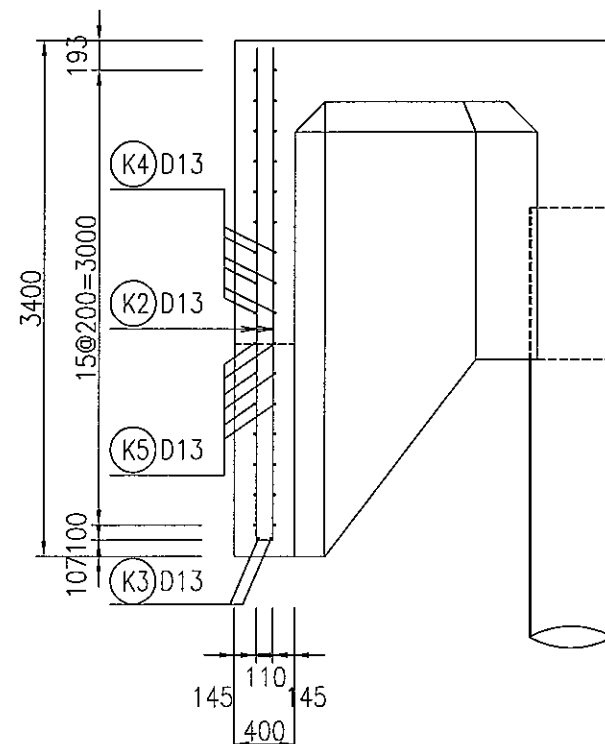
SECTION A-A
SC=1/50



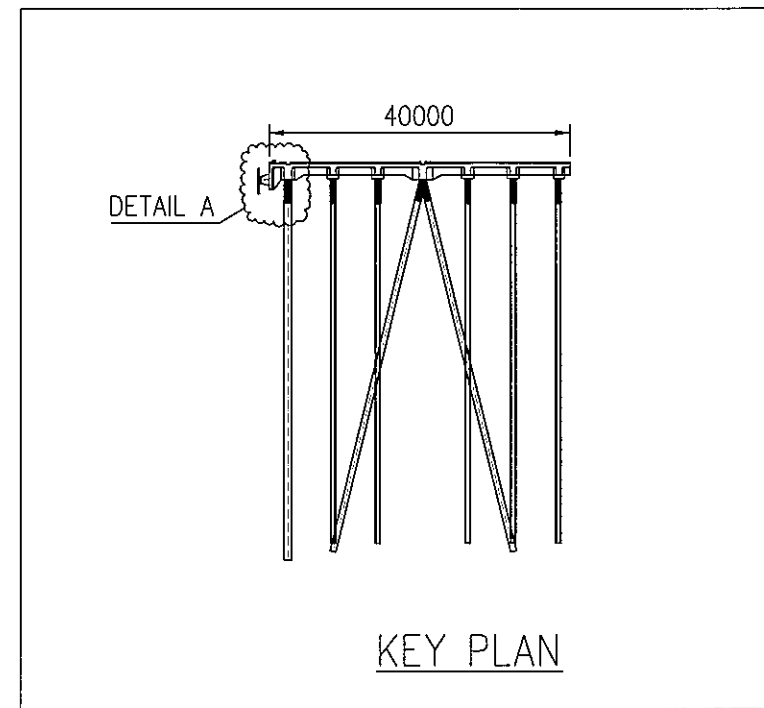
SECTION 2-2
SC=1/50



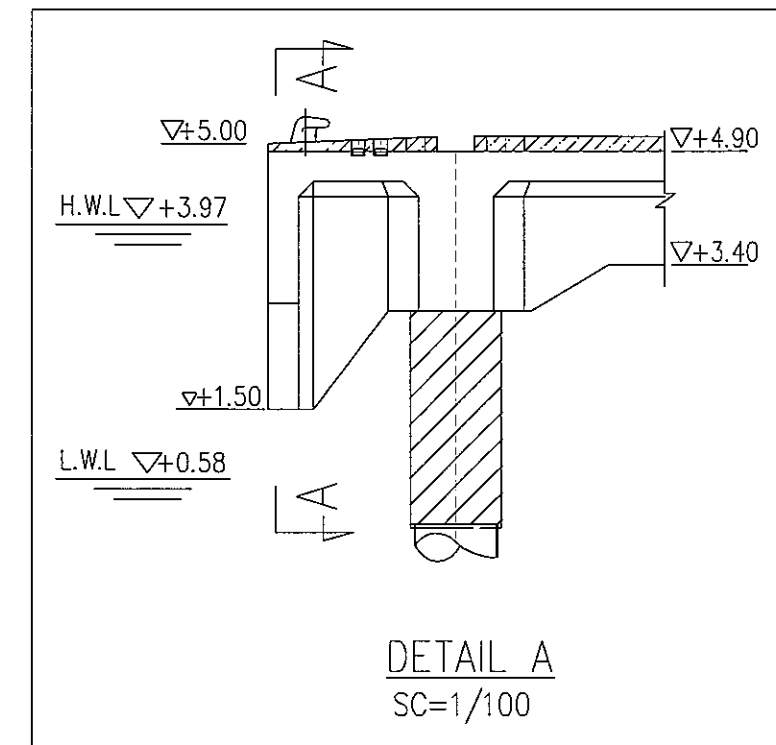
SECTION 1-1
SC=1/50



SECTION 3-3
SC=1/50



KEY PLAN

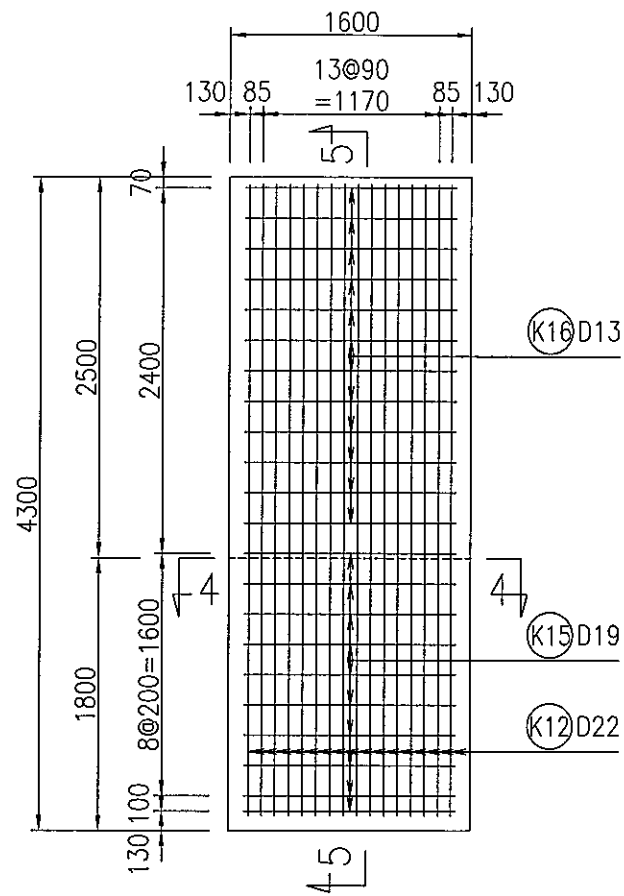


DETAIL A
SC=1/100

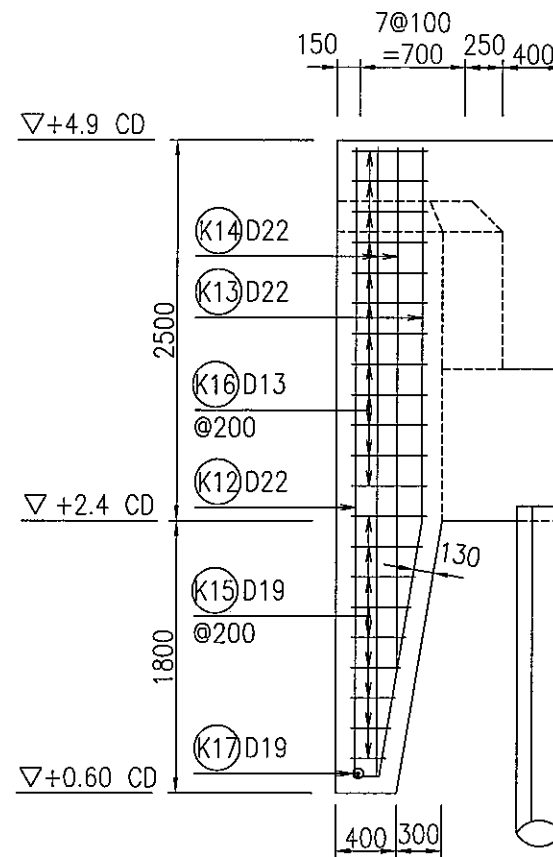
NOTES:

- DIMENSIONS ARE IN MILLIMETRES.
- ELEVATIONS ARE IN METRES -- CHART DATUM.

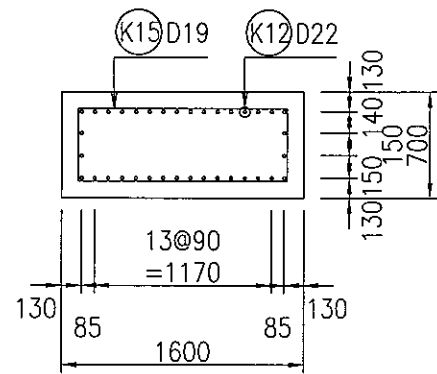
<p align="center">THE SOCIALIST REPUBLIC OF VIETNAM MINISTRY OF TRANSPORT PROJECT MANAGEMENT UNIT 85</p>					<p align="center">CAI MEP - THI VAI INTERNATIONAL PORT CONSTRUCTION PROJECT</p>					<p>DESIGNED BY: TRAN KHANH HUNG DRAWN BY: NGO SY DUNG CHECKED BY: YOSHIDA Y. APPROVED BY: NAGAI K. ISSUE DATE: 15/SEP/2005 SCALE: 1/50, 1/100, 1/1000</p>					<p>SECTION: CIVIL WORKS SUB-SECTION: QUAY FACILITY TITLE OF DRAWING: BARS ARRANGEMENT OF FENDER SLAB FOR VESSEL DWG NO: PAC2-TV-QAF-067 REV. NO</p>				
<p align="center">JICA JAPAN INTERNATIONAL COOPERATION AGENCY ASSIGNED TO: JAPAN PORT CONSULTANT (JPC) PACIFIC CONSULTANTS INTERNATIONAL (PCI) INTERNATIONAL DEVELOPMENT SYSTEM (IDS)</p>					<p align="center">PACKAGE 2 CONSTRUCTION OF PORT FACILITIES AND BUILDINGS FOR THI VAI AREA</p>														
REV. NO	DATE	DESCRIPTION	BY	APP															



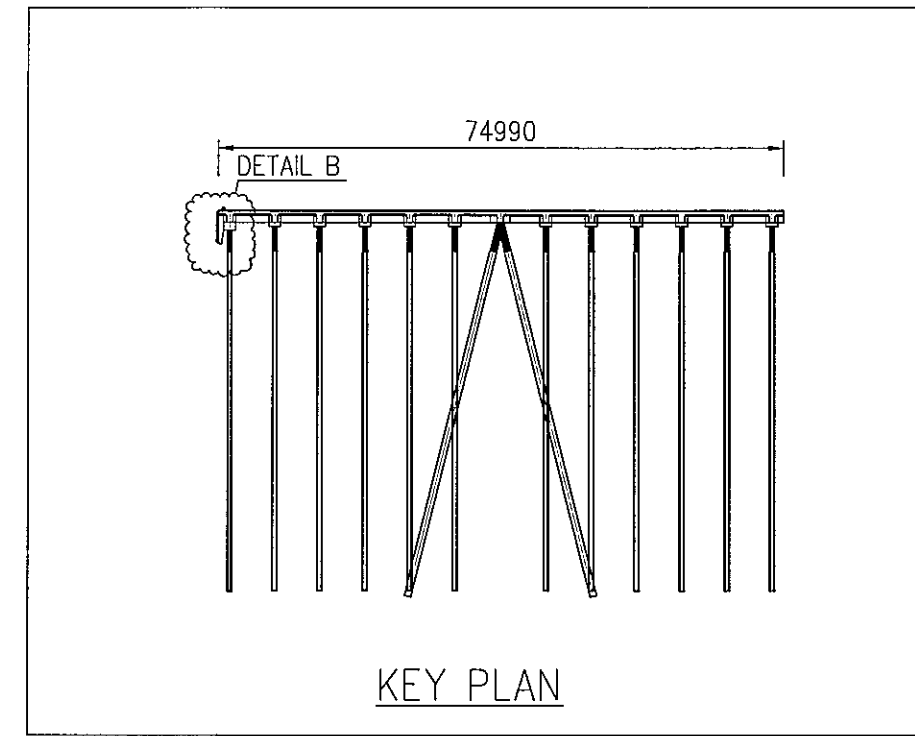
SECTION B-B
SC=1/50



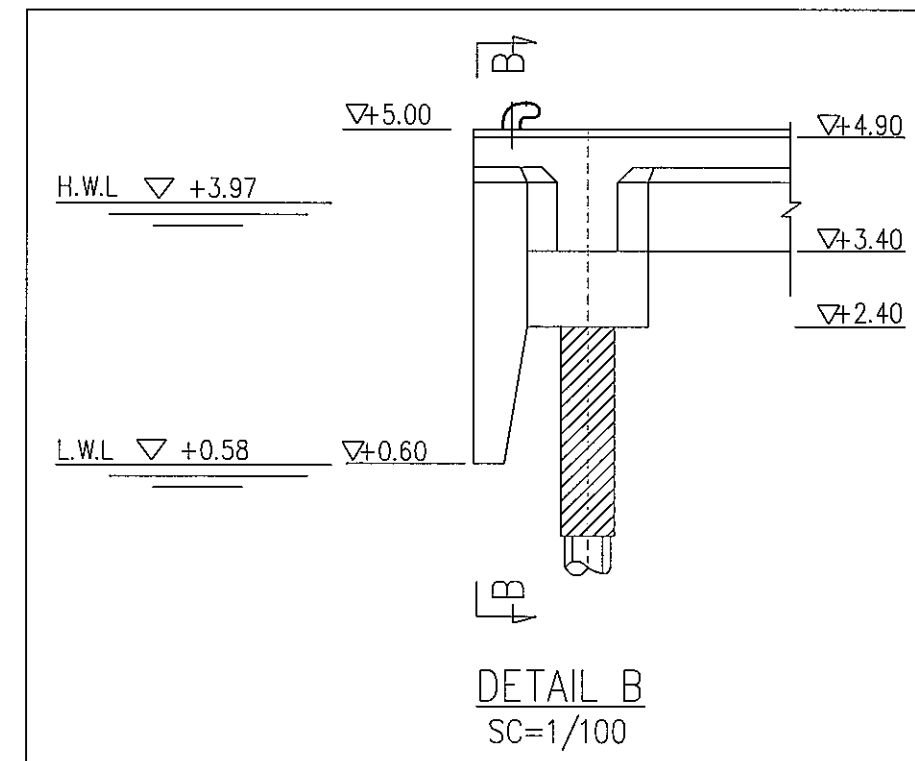
SECTION 5-5
SC=1/50



SECTION 4-4
SC=1/50



KEY PLAN

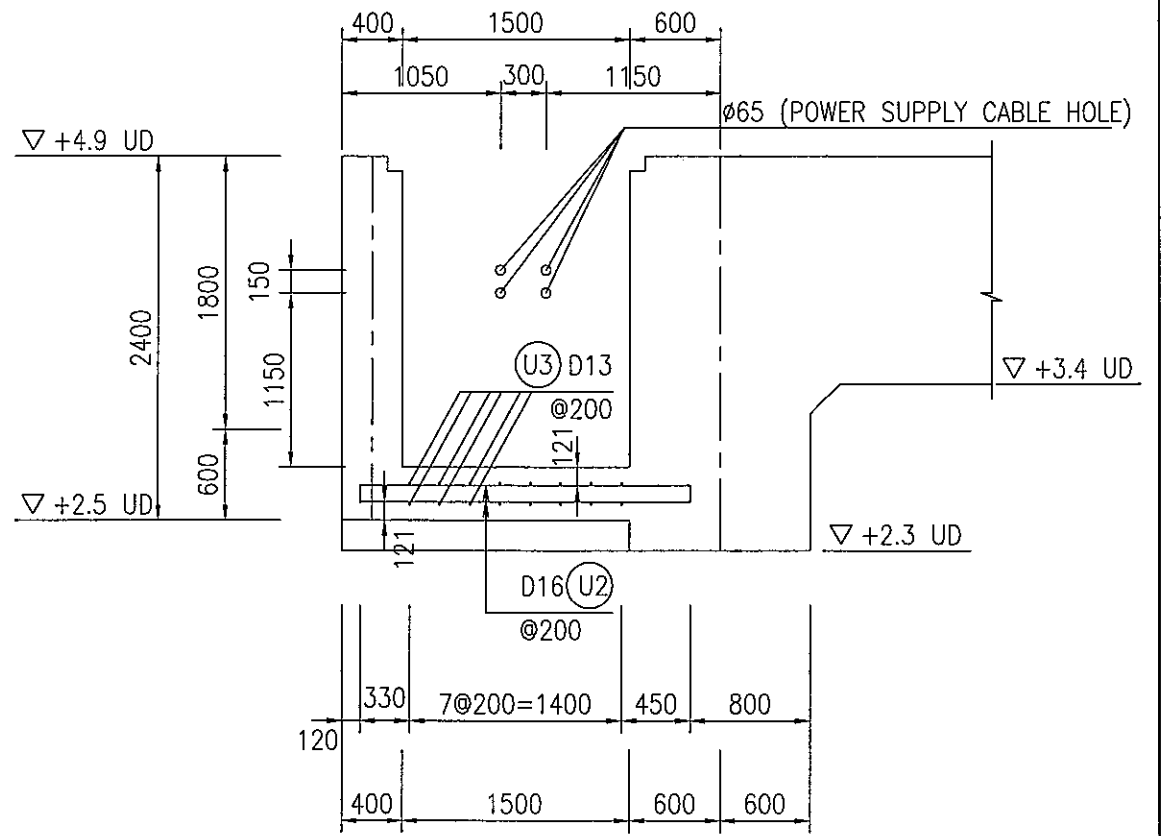
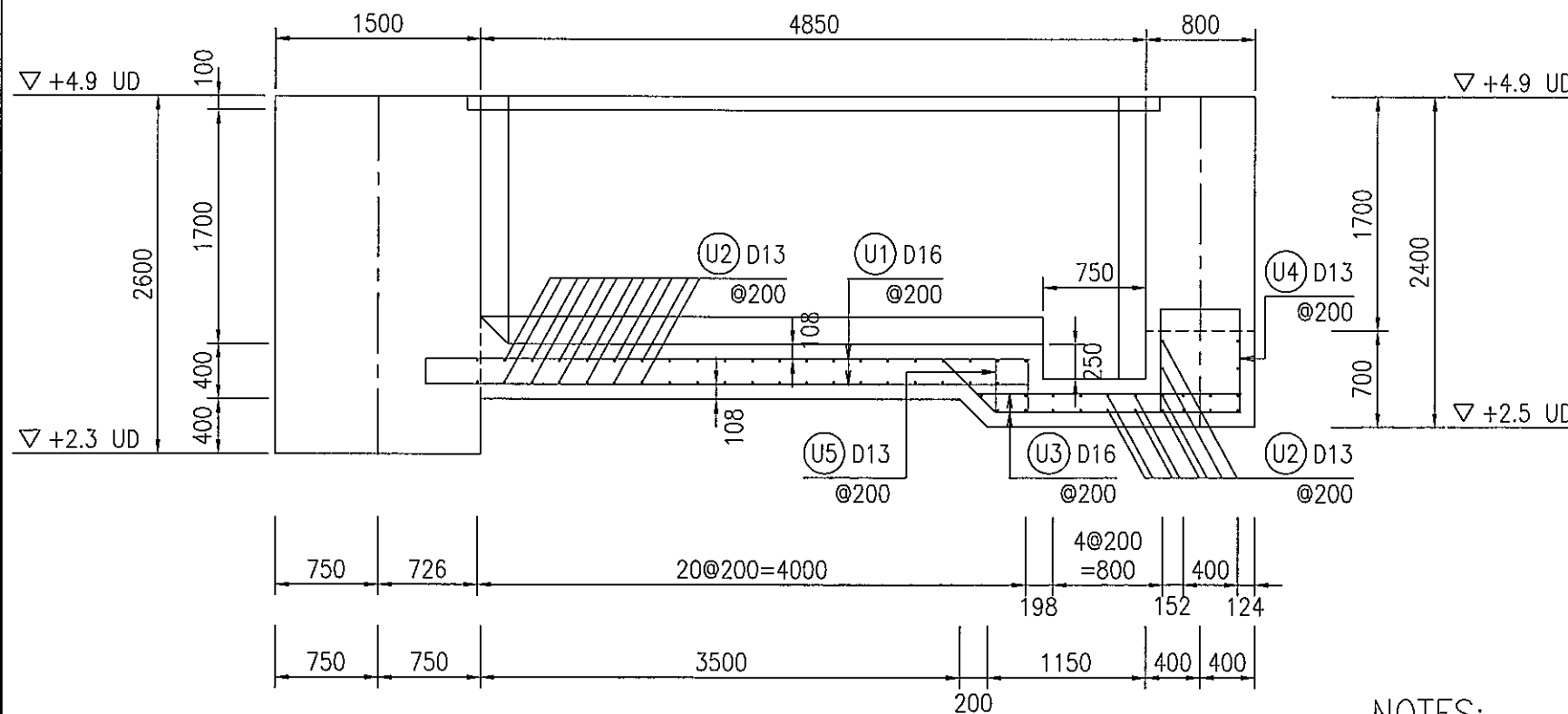
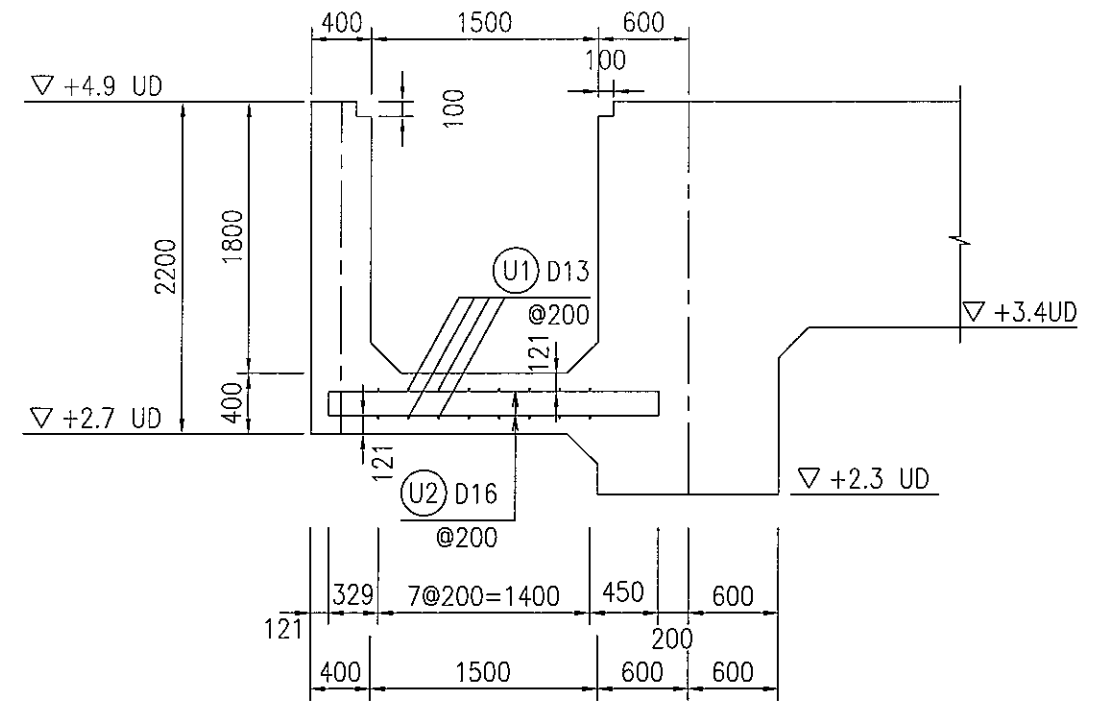
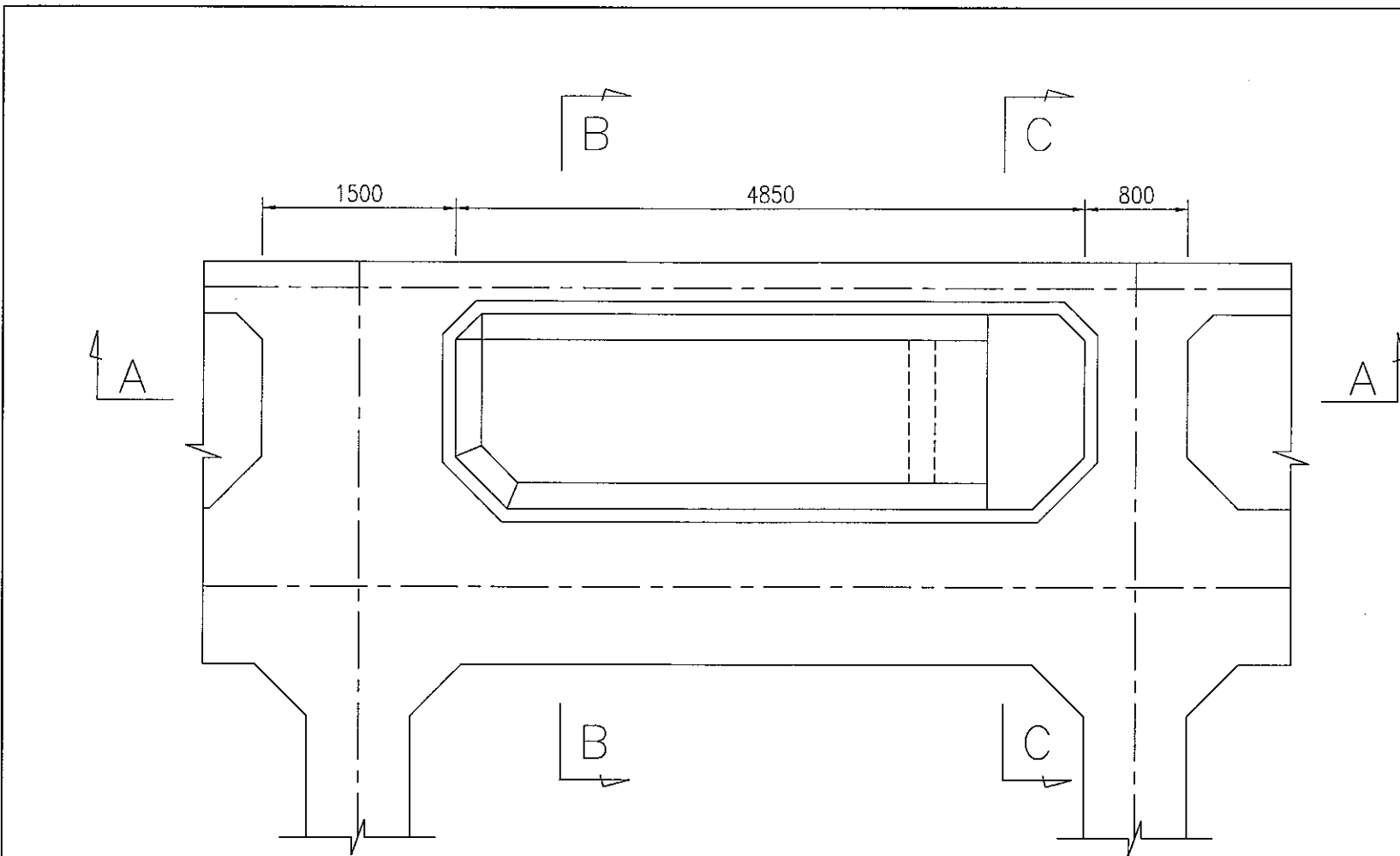


DETAIL B
SC=1/100

NOTES:

- DIMENSIONS ARE IN MILLIMETRES.
- ELEVATIONS ARE IN METRES - CHART DATUM.
- FROM ROW B TO J THE REINFORCEMENT OF FENDER SLAB ARE THE SAME.

					THE SOCIALIST REPUBLIC OF VIETNAM MINISTRY OF TRANSPORT PROJECT MANAGEMENT UNIT 85		CAI MEP - THI VAI INTERNATIONAL PORT CONSTRUCTION PROJECT		DESIGNED BY: TRAN KHANH HUNG DRAWN BY: NGO SY DUNG CHECKED BY: YOSHIDA Y. APPROVED BY: NAGAI K. ISSUE DATE: 15/SEP/2005 SCALE: 1/50, 1/100, 1/1000		SECTION: CIVIL WORKS SUB-SECTION: QUAY FACILITY TITLE OF DRAWING: BARS ARRANGEMENT OF FENDER SLAB FOR BARGE DWG NO: PAC2-TV-QAF-068 REV. NO	
REV NO	DATE	DESCRIPTION	BY	APP	JICA JAPAN INTERNATIONAL COOPERATION AGENCY ASSIGNED TO: JAPAN PORT CONSULTANT (JPC) PACIFIC CONSULTANTS INTERNATIONAL (PCI) INTERNATIONAL DEVELOPMENT SYSTEM (IDS)		PACKAGE 2 CONSTRUCTION OF PORT FACILITIES AND BUILDINGS FOR THI VAI AREA					



SECTION A-A
SC=1/50

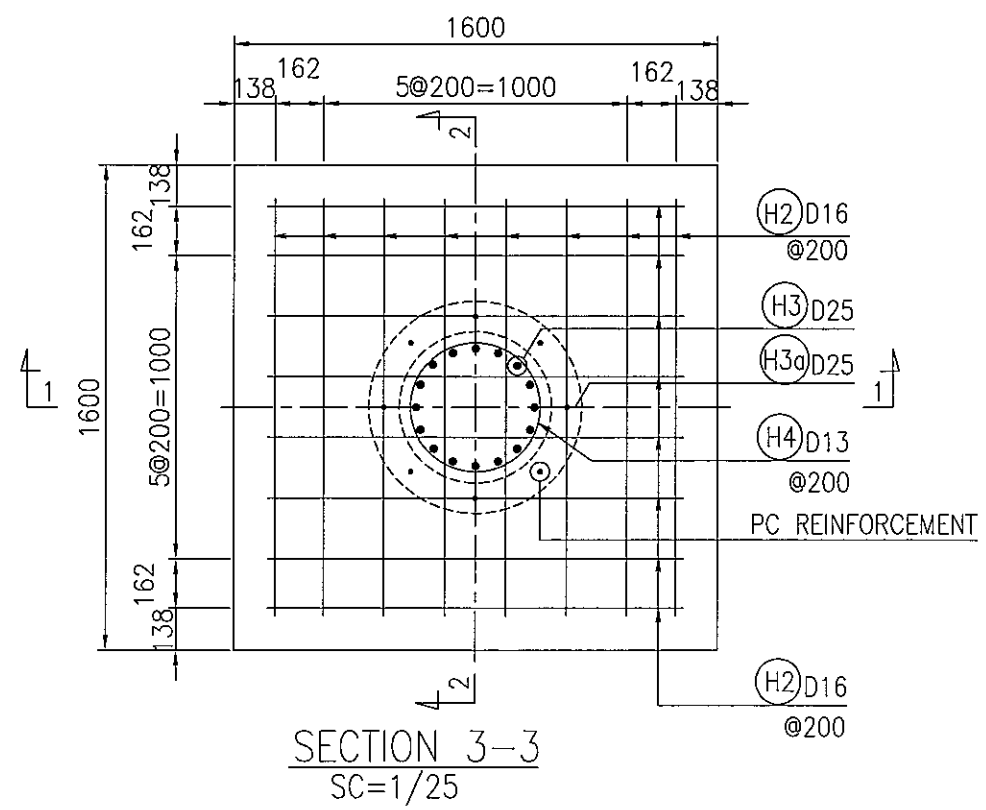
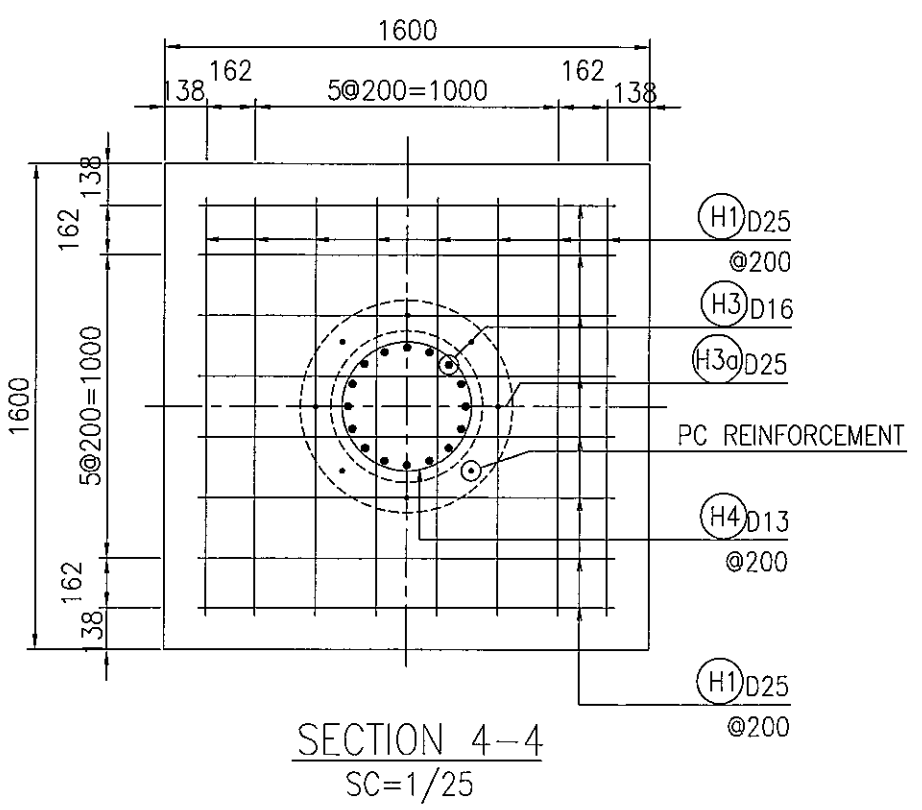
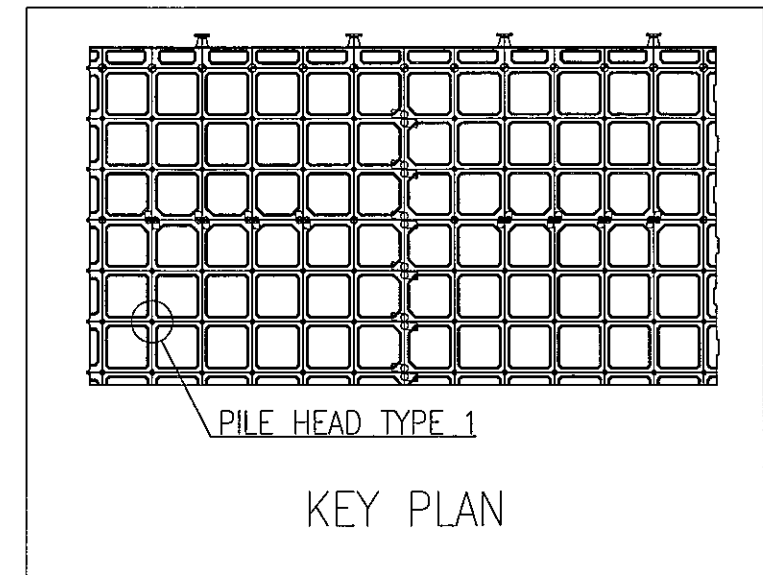
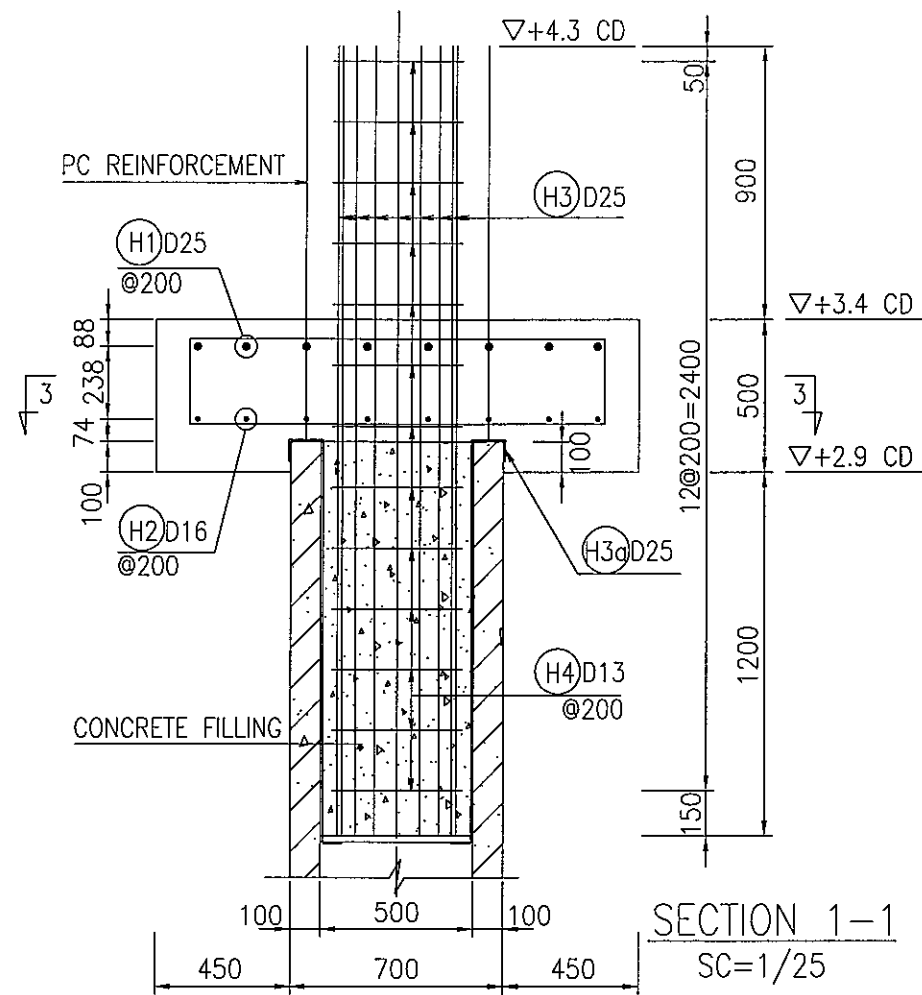
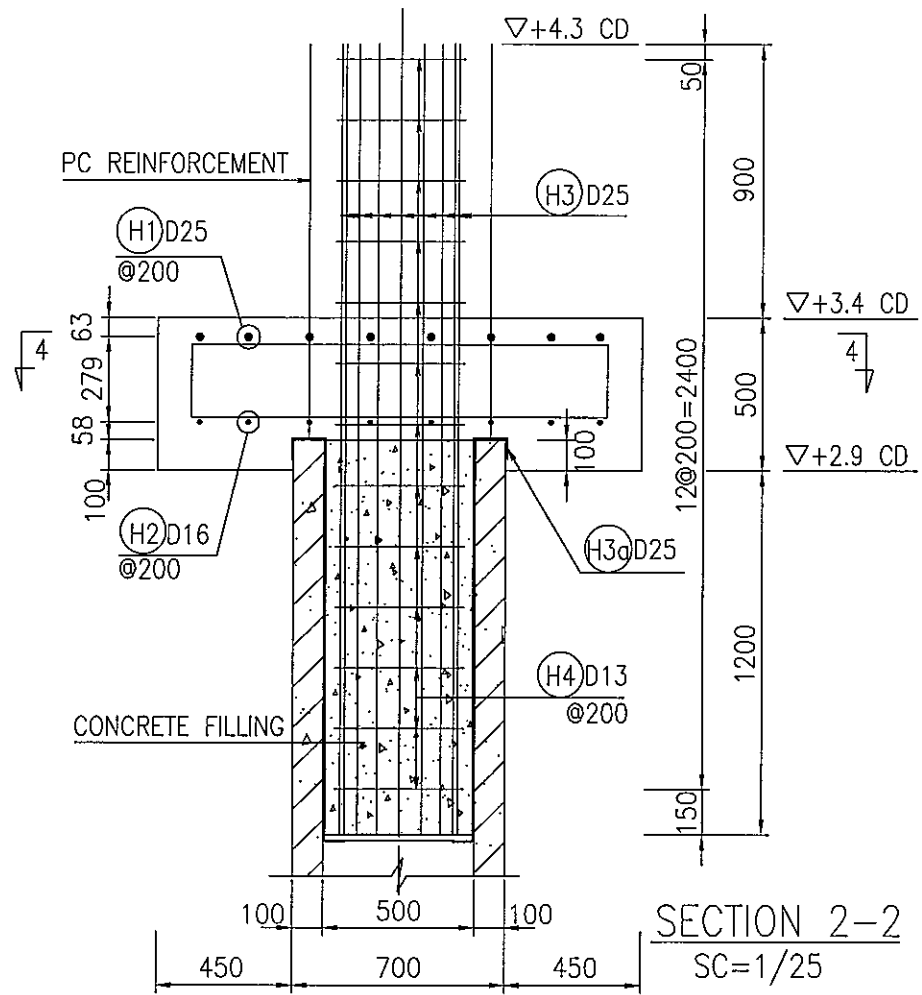
SECTION B-B
SC=1/50

SECTION C-C
SC=1/50

NOTES:

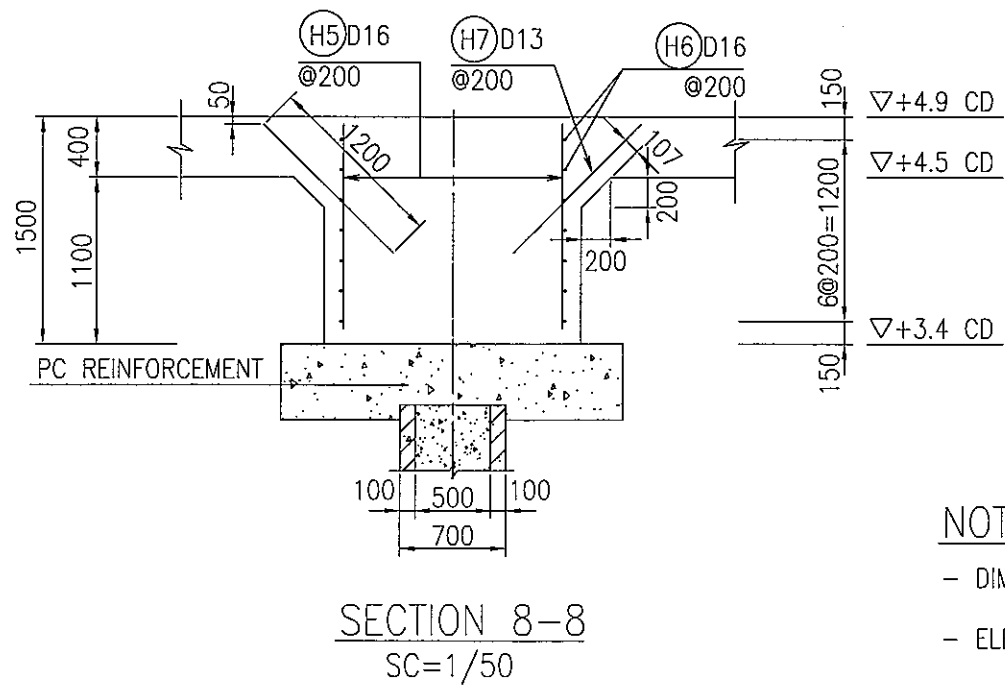
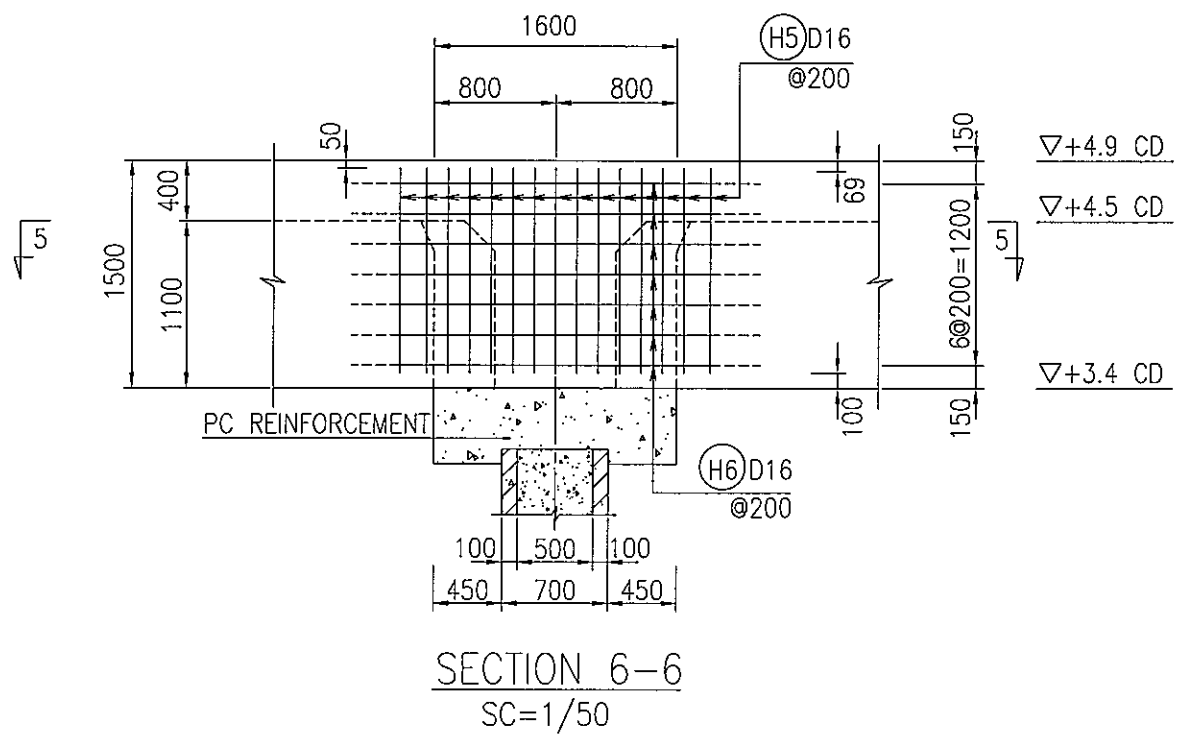
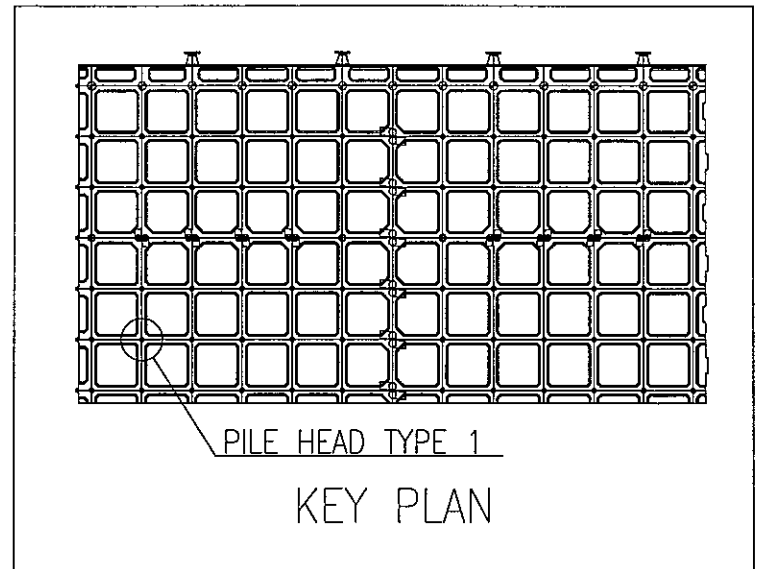
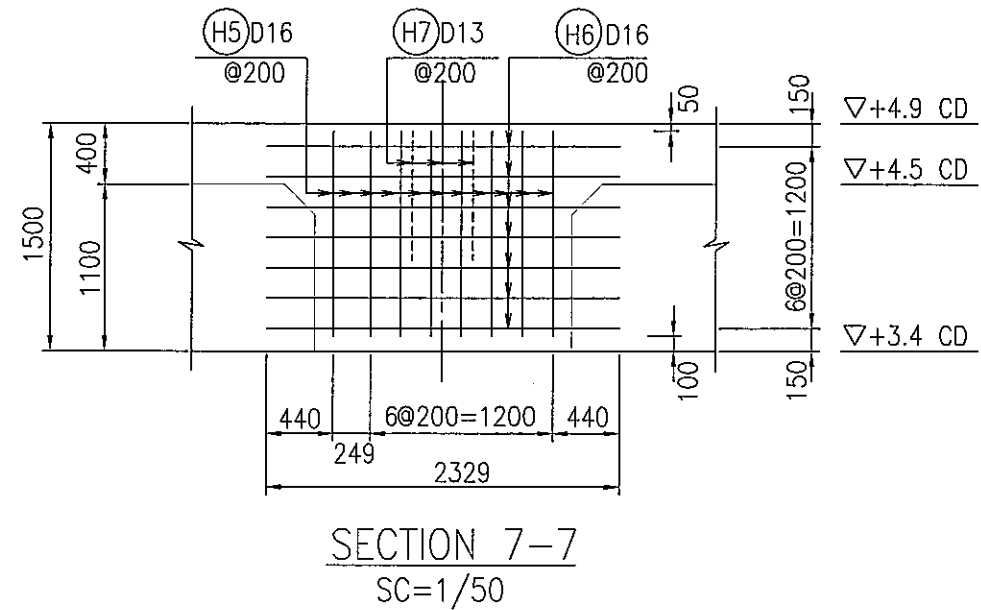
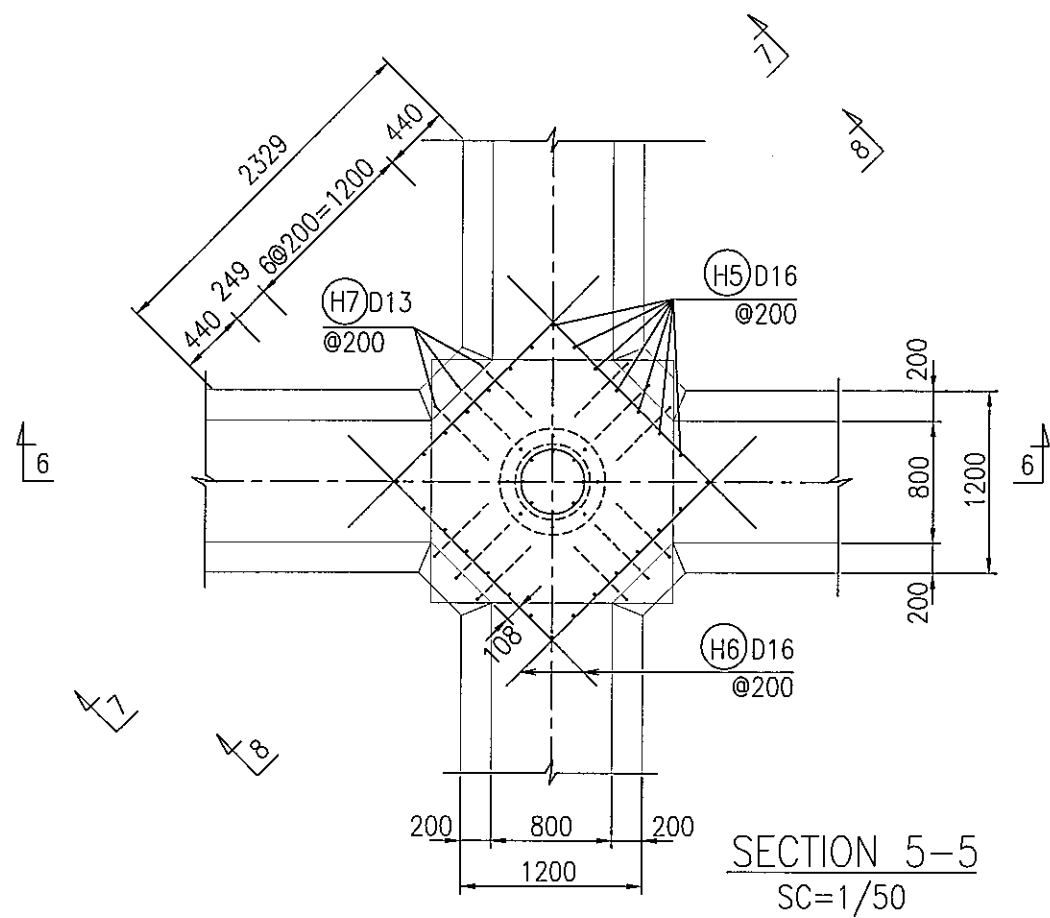
- DIMENSIONS ARE IN MILLIMETRES.
- ELEVATIONS ARE IN METRES - CHART DATUM.

<p>THE SOCIALIST REPUBLIC OF VIETNAM MINISTRY OF TRANSPORT PROJECT MANAGEMENT UNIT 85</p>					<p>CAI MEP - THI VAI INTERNATIONAL PORT CONSTRUCTION PROJECT</p>			<p>DESIGNED BY: TRAN KHANH HUNG</p>		<p>SECTION: CIVIL WORKS</p>	
<p>JICA JAPAN INTERNATIONAL COOPERATION AGENCY ASSIGNED TO: JAPAN PORT CONSULTANT (JPC) PACIFIC CONSULTANTS INTERNATIONAL (PCI) INTERNATIONAL DEVELOPMENT SYSTEM (IDS)</p>					<p>PACKAGE 2 CONSTRUCTION OF PORT FACILITIES AND BUILDINGS FOR THI VAI AREA</p>			<p>DRAWN BY: NGO SY DUNG</p>		<p>SUB-SECTION: QUAY FACILITY</p>	
<p>REV NO DATE DESCRIPTION BY APP</p>					<p>APPROVED BY: YOSHIDA Y.</p>			<p>CHECKED BY: YOSHIDA Y.</p>		<p>TITLE OF DRAWING: DETAIL OF CRANE JUNCTION PIT</p>	
					<p>ISCE DATE: 15/SEP/2005</p>			<p>SCALE: 1/50, 1/100</p>		<p>DWG NO: PAC2-TV-QAF-069</p>	
										<p>REV. NO</p>	



- NOTES:**
- DIMENSIONS ARE IN MILLIMETRES.
 - ELEVATIONS ARE IN METRES - CHART DATUM.
 - ALL REINFORCEMENT ATTACHED TO PC PILE SHOULD BE COMPLETELY INSULLATED WITH STEEL PILES.

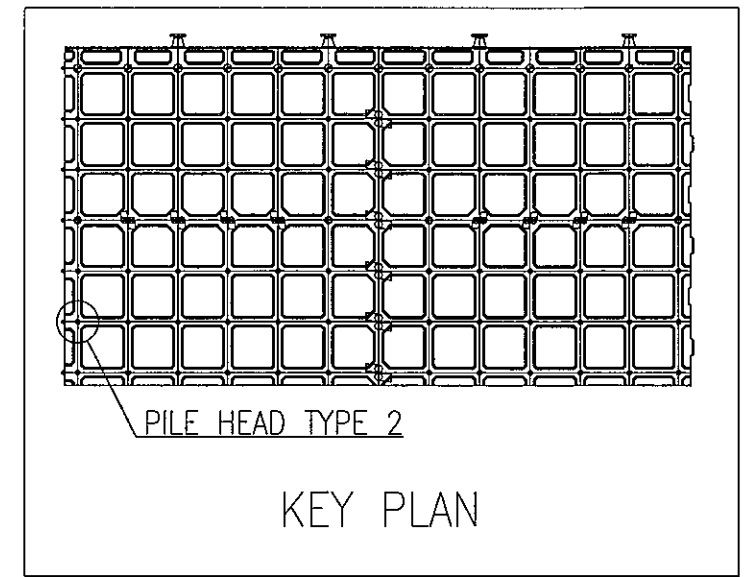
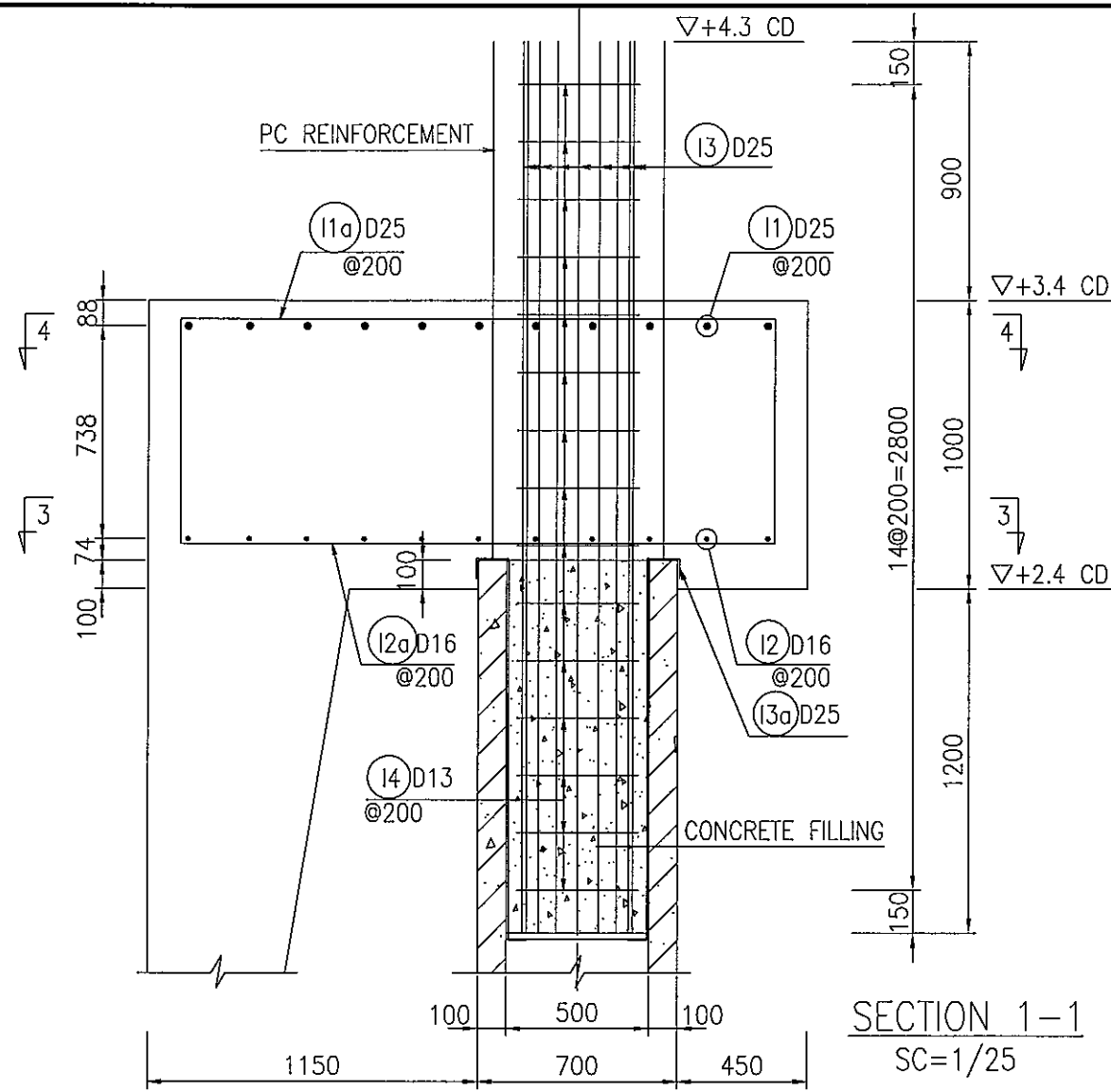
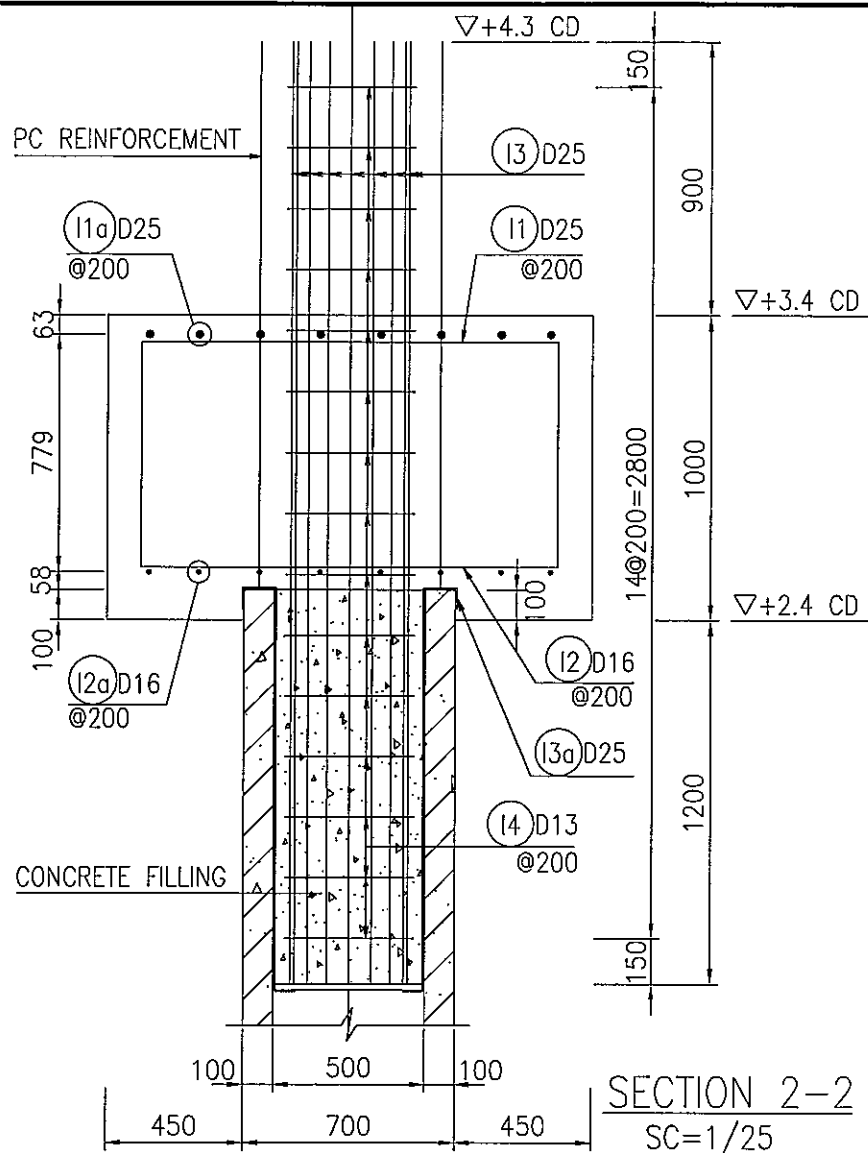
			THE SOCIALIST REPUBLIC OF VIETNAM MINISTRY OF TRANSPORT PROJECT MANAGEMENT UNIT 85		CAI MEP - THI VAI INTERNATIONAL PORT CONSTRUCTION PROJECT		DESIGNED BY: TRAN KHANH HUNG DRAWN BY: VU THI HANG CHECKED BY: YOSHIDA Y. APPROVED BY: NAGAI K. ISSUE DATE: 13/SEP/2005 SCALE: 1/25		SECTION: CIVIL WORKS SUB-SECTION: QUAY FACILITY TITLE OF DRAWING: DETAIL OF PILE HEAD TYPE 1[1]		
			JICA JAPAN INTERNATIONAL COOPERATION AGENCY ASSIGNED TO: JAPAN PORT CONSULTANT (JPC) PACIFIC CONSULTANTS INTERNATIONAL (PCI) INTERNATIONAL DEVELOPMENT SYSTEM (IDS)		PACKAGE 2 CONSTRUCTION OF PORT FACILITIES AND BUILDINGS FOR THI VAI AREA				DWG NO: PAC2-TV-QAF-070 REV. NO		
DESCRIPTION	BY	APP									



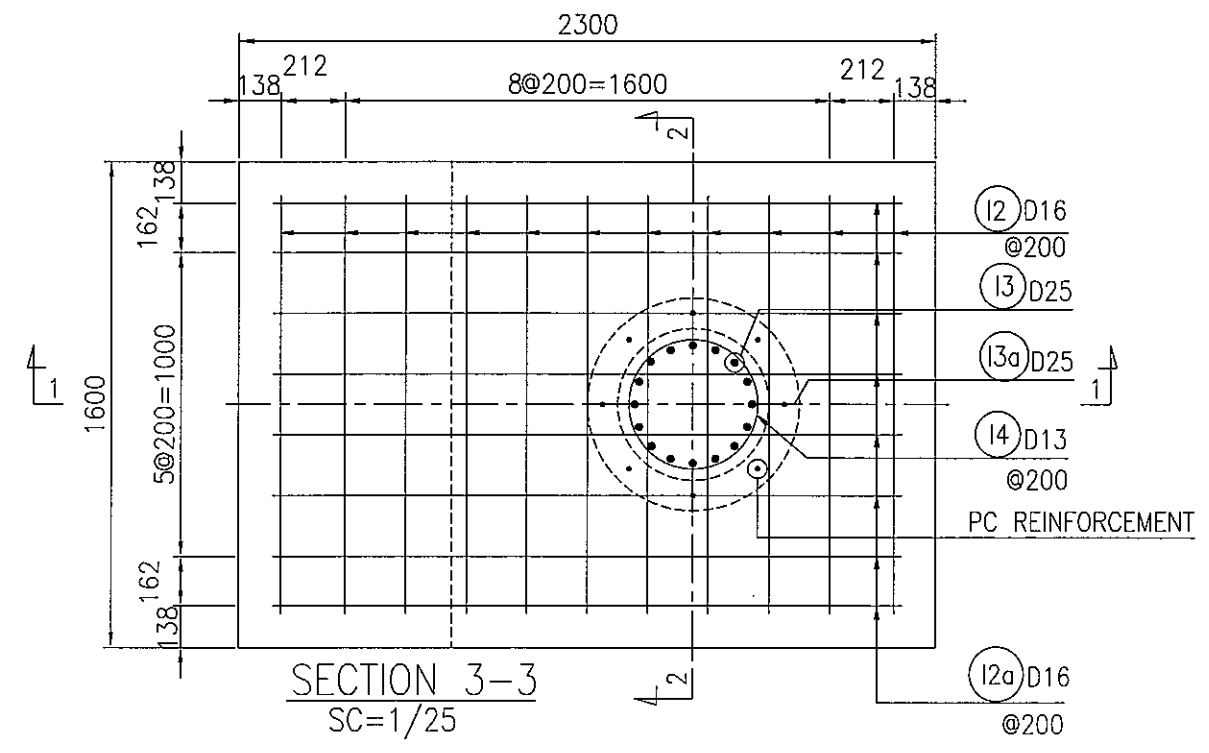
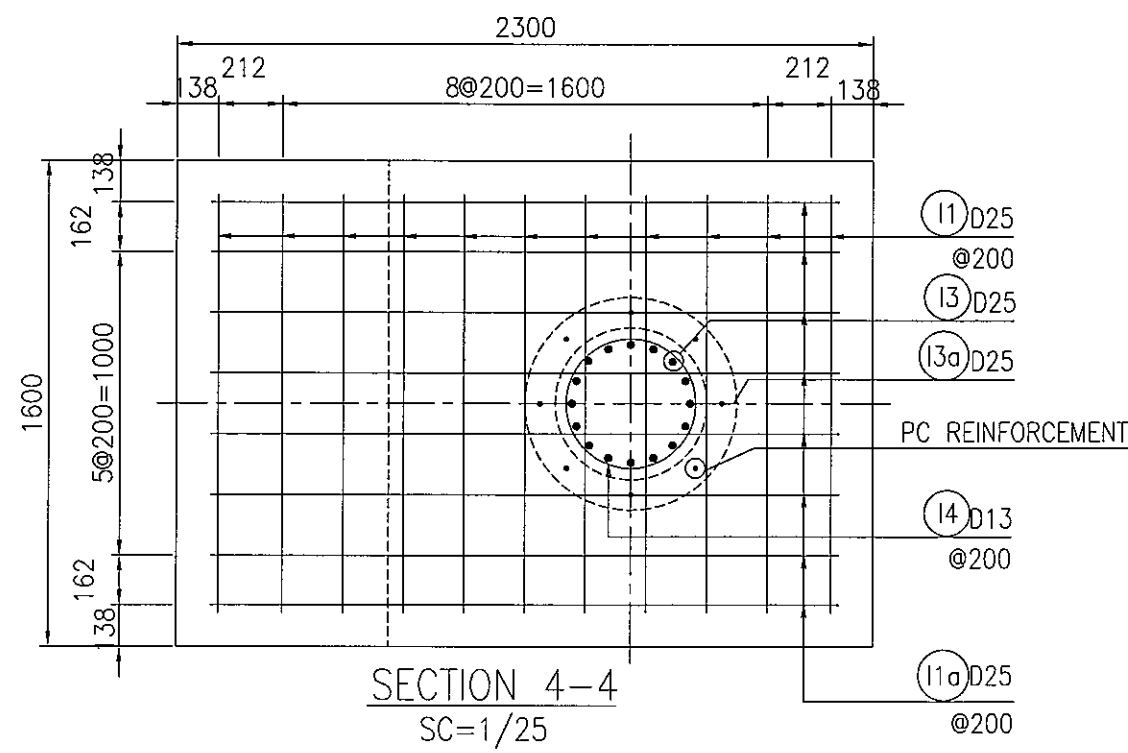
NOTES:

- DIMENSIONS ARE IN MILLIMETRES.
- ELEVATIONS ARE IN METRES - CHART DATUM.

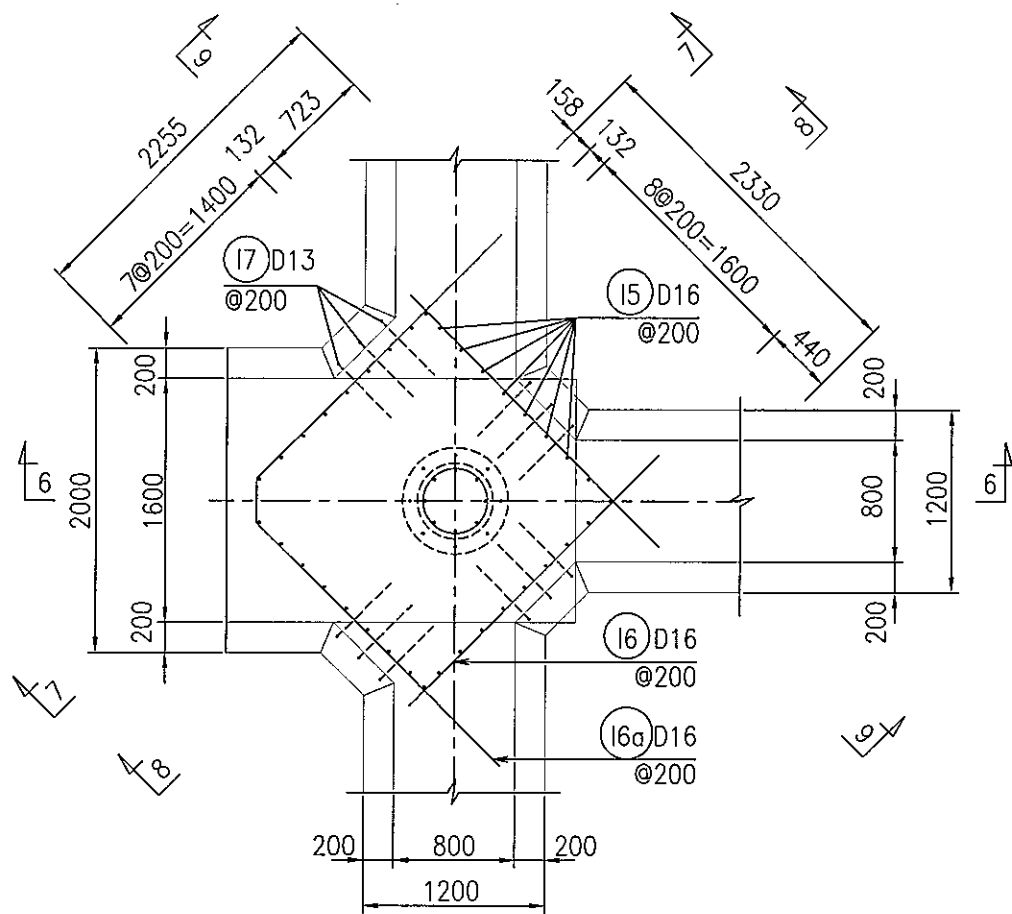
			THE SOCIALIST REPUBLIC OF VIETNAM MINISTRY OF TRANSPORT PROJECT MANAGEMENT UNIT 85		CAI MEP - THI VAI INTERNATIONAL PORT CONSTRUCTION PROJECT		DESIGNED BY: TRAN KHANH HUNG		SECTION: CIVIL WORKS	
					PACKAGE 2 CONSTRUCTION OF PORT FACILITIES AND BUILDINGS FOR THI VAI AREA		DRAWN BY: VU THI HANG		SUB-SECTION: QUAY FACILITY	
			JAPAN INTERNATIONAL COOPERATION AGENCY ASSIGNED TO: JAPAN PORT CONSULTANT (JPC) PACIFIC CONSULTANTS INTERNATIONAL (PCI) INTERNATIONAL DEVELOPMENT SYSTEM (IDS)		APPROVED BY: NAGAI K.		CHECKED BY: YOSHIDA Y.		TITLE OF DRAWING: DETAIL OF PILE HEAD TYPE 1[1]	
							ISSUE DATE: 15/SEP/2005		DWG NO: PAC2-TV-QAF-071	
							SCALE: 1/50		REV. NO	



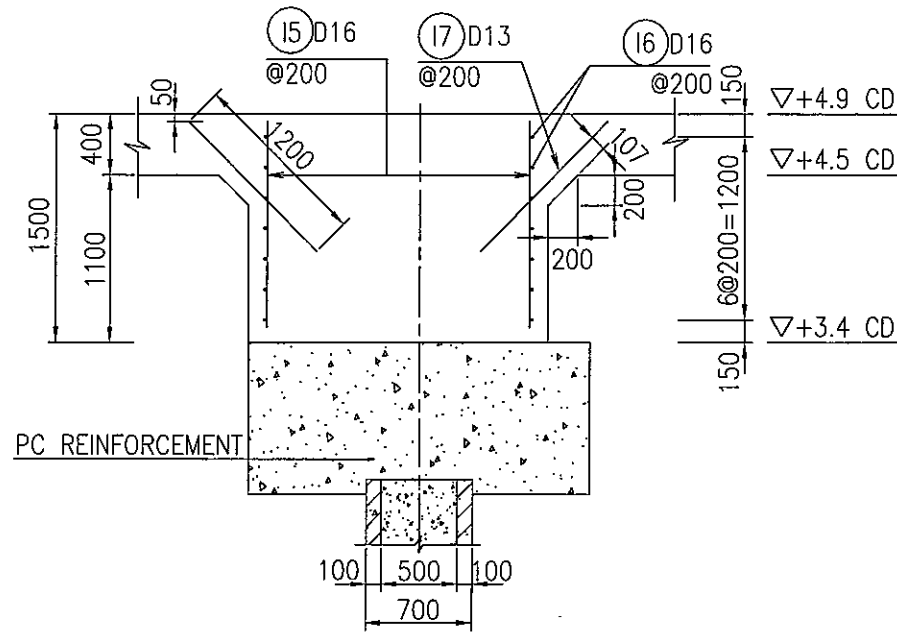
NOTES:
 - DIMENSIONS ARE IN MILLIMETRES.
 - ELEVATIONS ARE IN METRES - CHART DATUM.
 - ALL REINFORCEMENT ATTACHED TO PC PILE SHOULD BE COMPLETELY INSULATED WITH STEEL PILES.



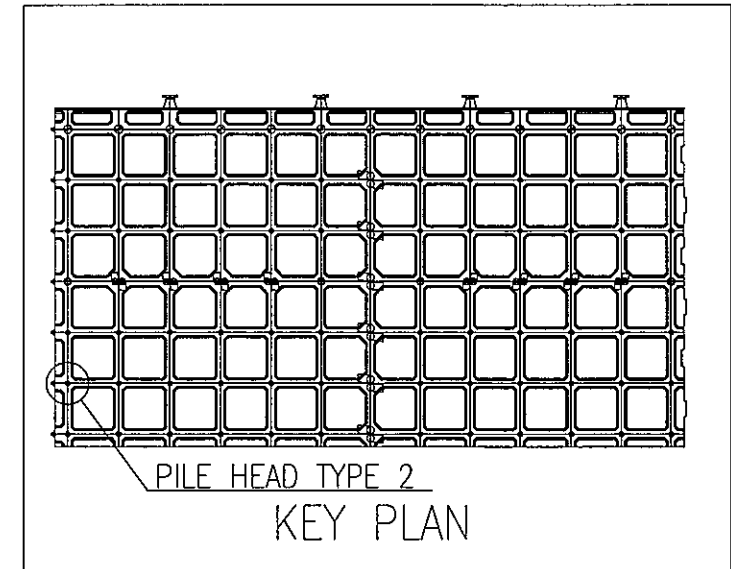
		THE SOCIALIST REPUBLIC OF VIETNAM MINISTRY OF TRANSPORT PROJECT MANAGEMENT UNIT 85		CAI MEP - THI VAI INTERNATIONAL PORT CONSTRUCTION PROJECT		DESIGNED BY: TRAN KHANH HUNG		SECTION: CIVIL WORKS	
		JAPAN INTERNATIONAL COOPERATION AGENCY ASSIGNED TO: JAPAN PORT CONSULTANT (JPC) PACIFIC CONSULTANTS INTERNATIONAL (PCI) INTERNATIONAL DEVELOPMENT SYSTEM (IDS)		PACKAGE 2 CONSTRUCTION OF PORT FACILITIES AND BUILDINGS FOR THI VAI AREA		DRAWN BY: VU THI HANG		SUB-SECTION: QUAY FACILITY	
						CHECKED BY: YOSHIDA Y.		TITLE OF DRAWING: DETAIL OF PILE HEAD TYPE 2(1)	
						APPROVED BY: NAGAI K.		DWG NO: PAC2-TV-QAF-072	
						ISSUE DATE: 13/SEP/2005		REV. NO	
						SCALE: 1/25			



SECTION 5-5
SC=1/50

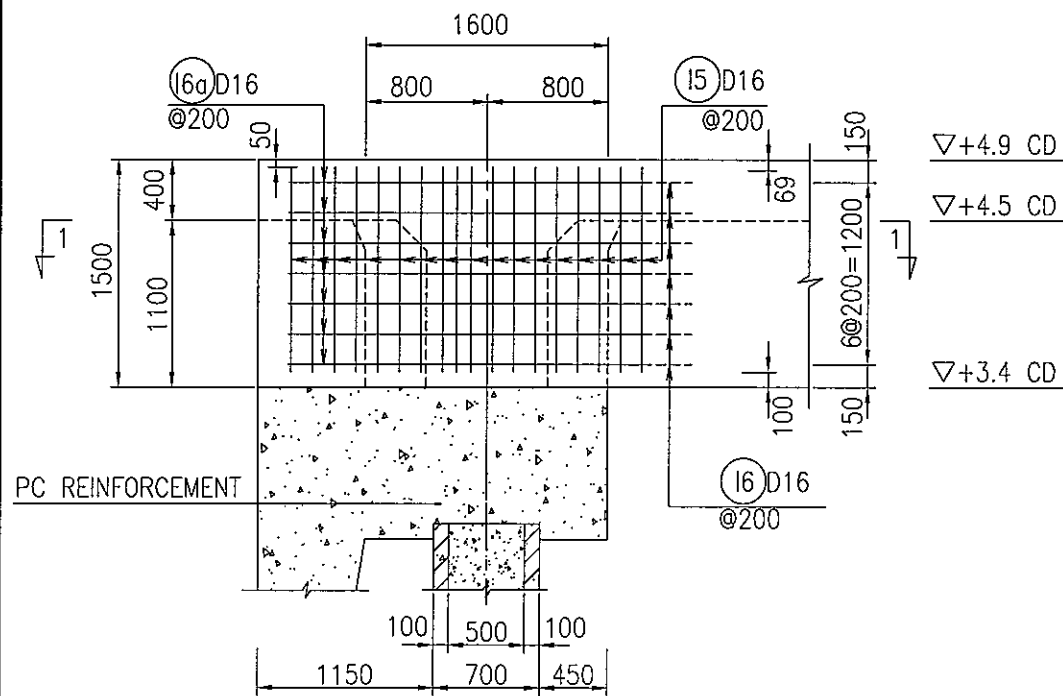


SECTION 8-8
SC=1/50

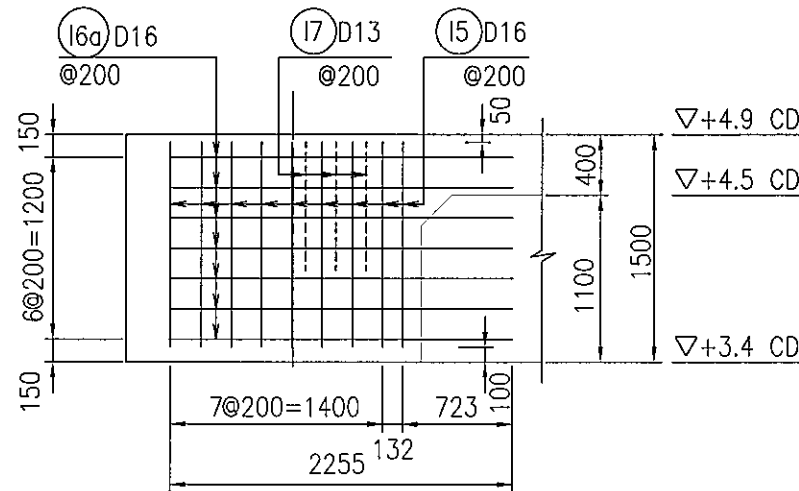


NOTES:

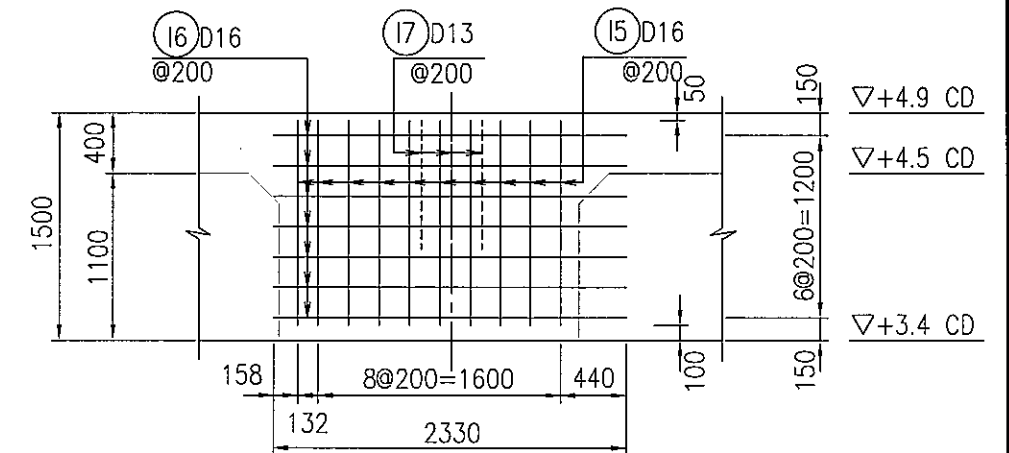
- DIMENSIONS ARE IN MILLIMETRES.
- ELEVATIONS ARE IN METRES - CHART DATUM.



SECTION 6-6
SC=1/50

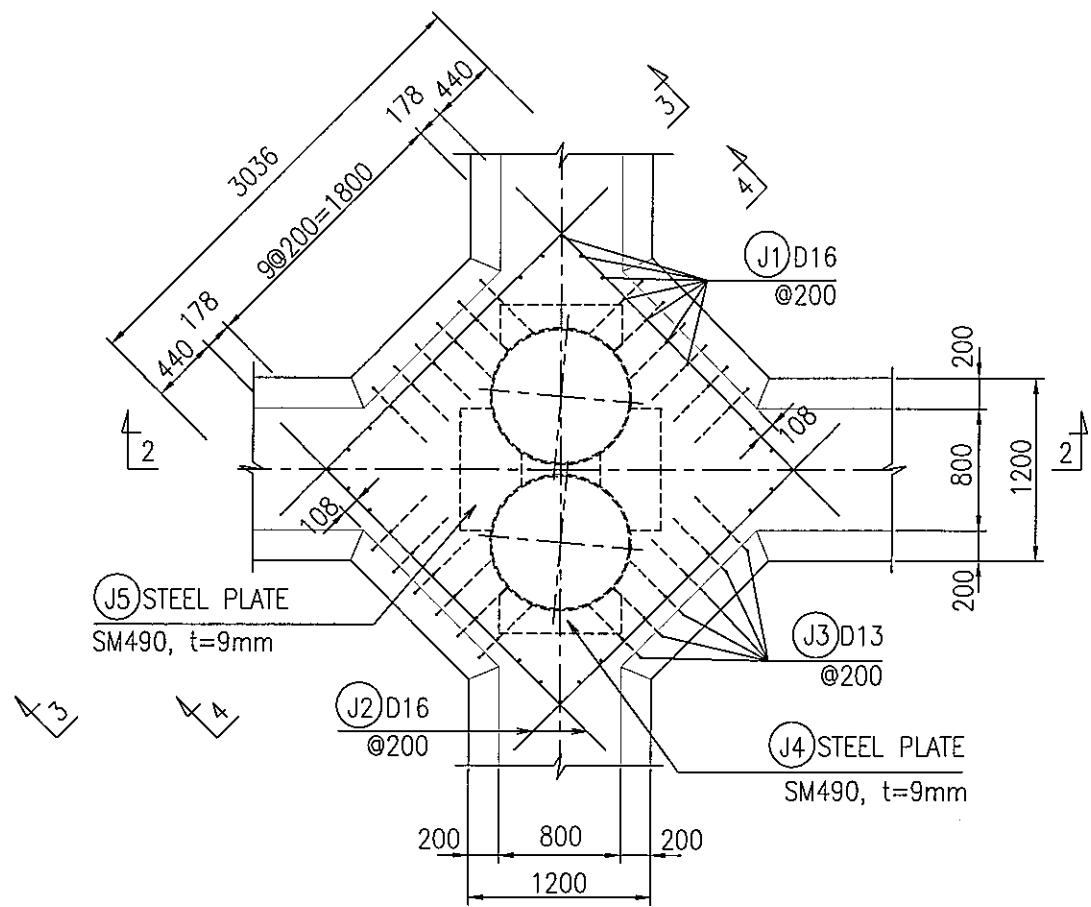


SECTION 7-7
SC=1/50

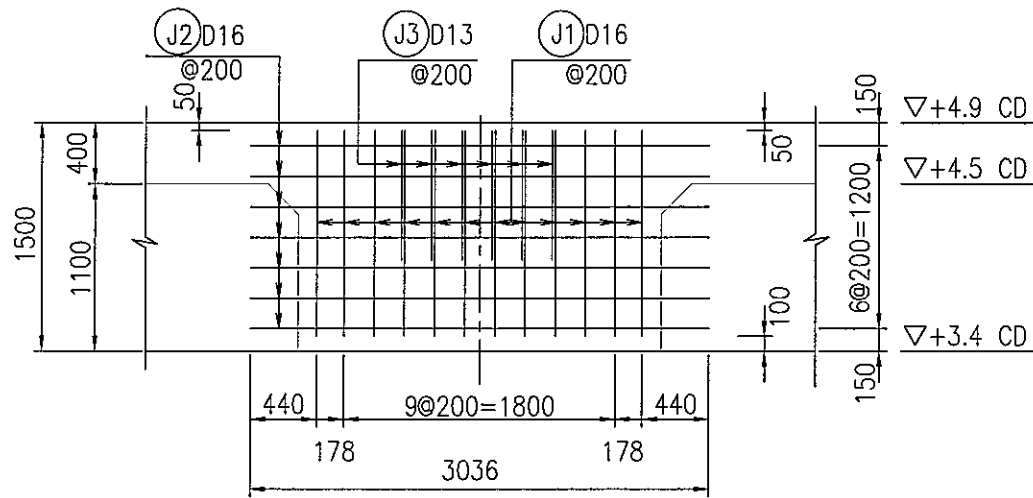


SECTION 9-9
SC=1/50

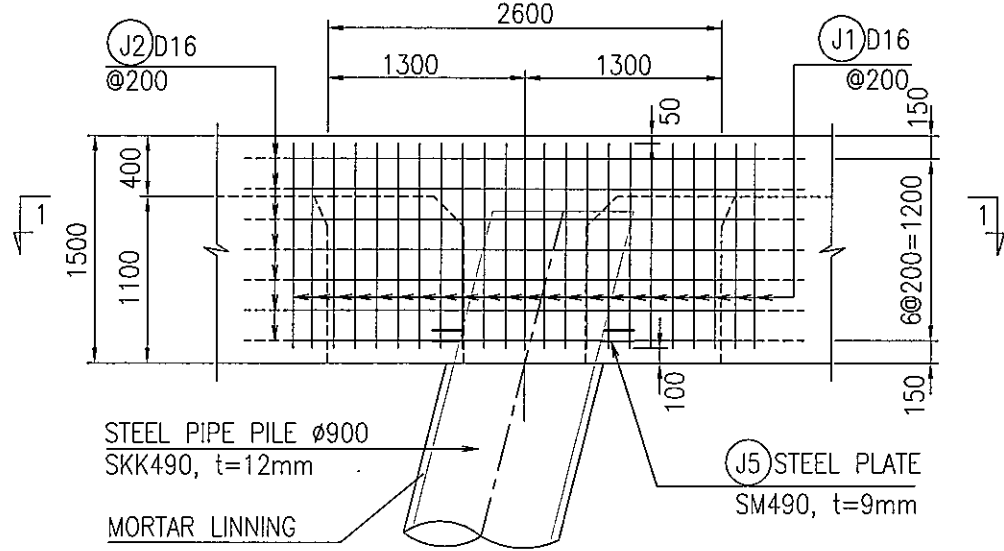
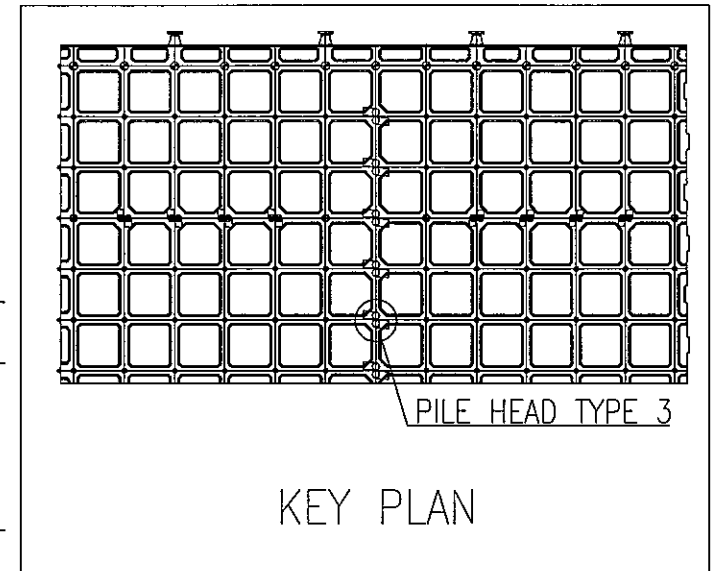
			THE SOCIALIST REPUBLIC OF VIETNAM MINISTRY OF TRANSPORT PROJECT MANAGEMENT UNIT 85		CAI MEP - THI VAI INTERNATIONAL PORT CONSTRUCTION PROJECT		DESIGNED BY: TRAN KHANH HUNG		SECTION: CIVIL WORKS	
					PACKAGE 2 CONSTRUCTION OF PORT FACILITIES AND BUILDINGS FOR THI VAI AREA		DRAWN BY: VU THI HANG		SUB-SECTION: QUAY FACILITY	
							CHECKED BY: YOSHIDA Y.		TITLE OF DRAWING: DETAIL OF PILE HEAD TYPE 2[2]	
							APPROVED BY: NAGAI K.		DWG NO: PAC2-TV-QAF-073	
							ISSUE DATE: 15/SEP/2005		REV. NO	
							SCALE: 1/50			



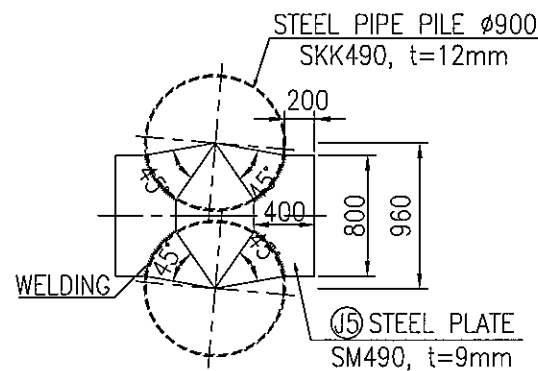
SECTION 1-1
SC=1/50



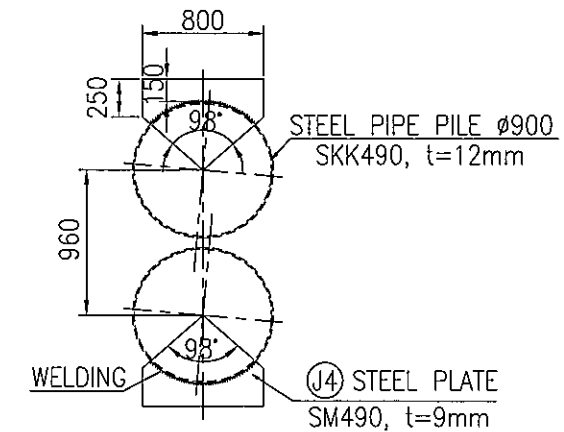
SECTION 3-3
SC=1/50



SECTION 2-2
SC=1/50



DETAIL OF J5
SC=1/25



DETAIL OF J4
SC=1/25

NOTES:

- DIMENSIONS ARE IN MILLIMETRES.
- ELEVATIONS ARE IN METRES - CHART DATUM.

THE SOCIALIST REPUBLIC OF VIETNAM
MINISTRY OF TRANSPORT
PROJECT MANAGEMENT UNIT 85

JICA
JAPAN INTERNATIONAL COOPERATION AGENCY
ASSIGNED TO:
JAPAN PORT CONSULTANT (JPC)
PACIFIC CONSULTANTS INTERNATIONAL (PCI)
INTERNATIONAL DEVELOPMENT SYSTEM (IDS)

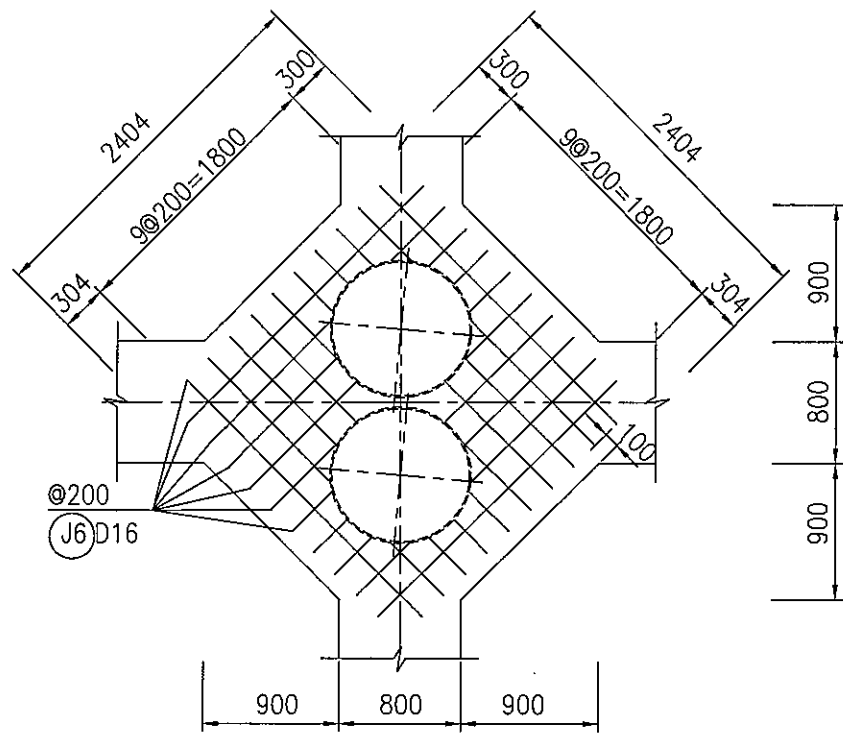
CAI MEP - THI VAI INTERNATIONAL PORT
CONSTRUCTION PROJECT
PACKAGE 2
CONSTRUCTION OF PORT FACILITIES AND BUILDINGS FOR
THI VAI AREA

DESIGNED BY:
TRAN KHANH HUNG
DRAWN BY:
VU THI HANG
CHECKED BY:
YOSHIDA Y.
APPROVED BY:
NAGAI K.
ISSUE DATE:
15/SEP/2005
SCALE:
1/50

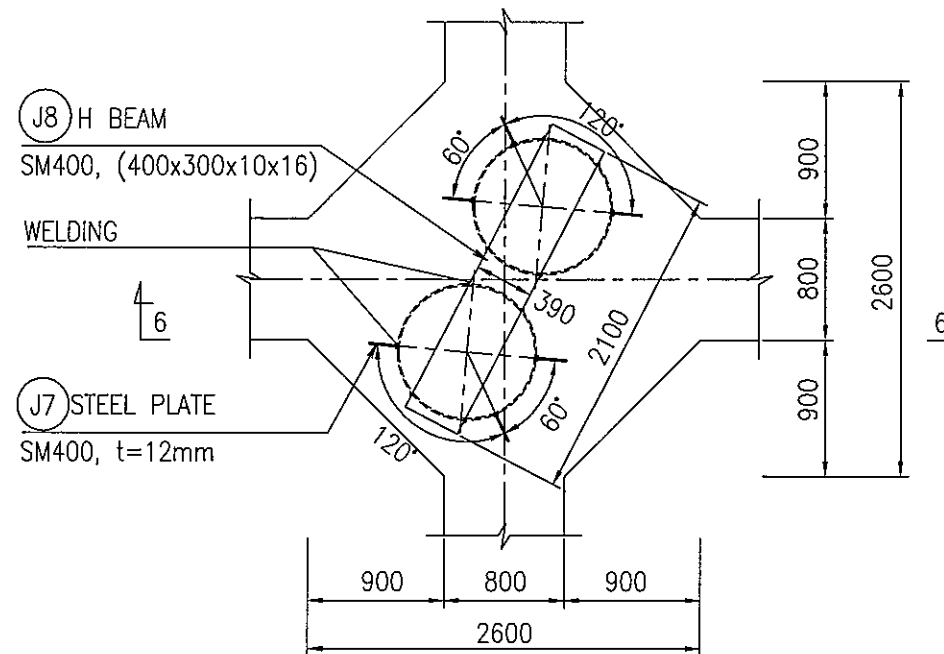
SECTION:
CIVIL WORKS
SUB-SECTION:
QUAY FACILITY
TITLE OF DRAWING:
DETAIL OF PILE HEAD TYPE 3 (1)

DWG NO:
PAC2-TV-QAF-074
REV. NO

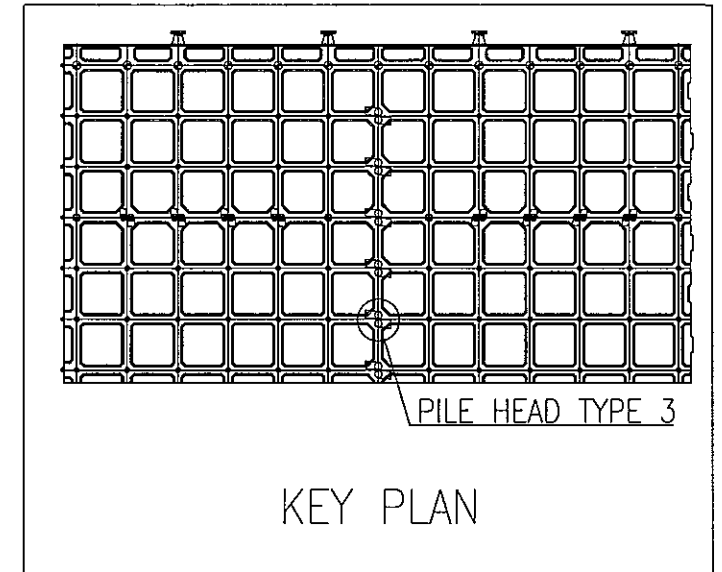
NO.	DESCRIPTION	BY	APP



SECTION 5-5
SC=1/50



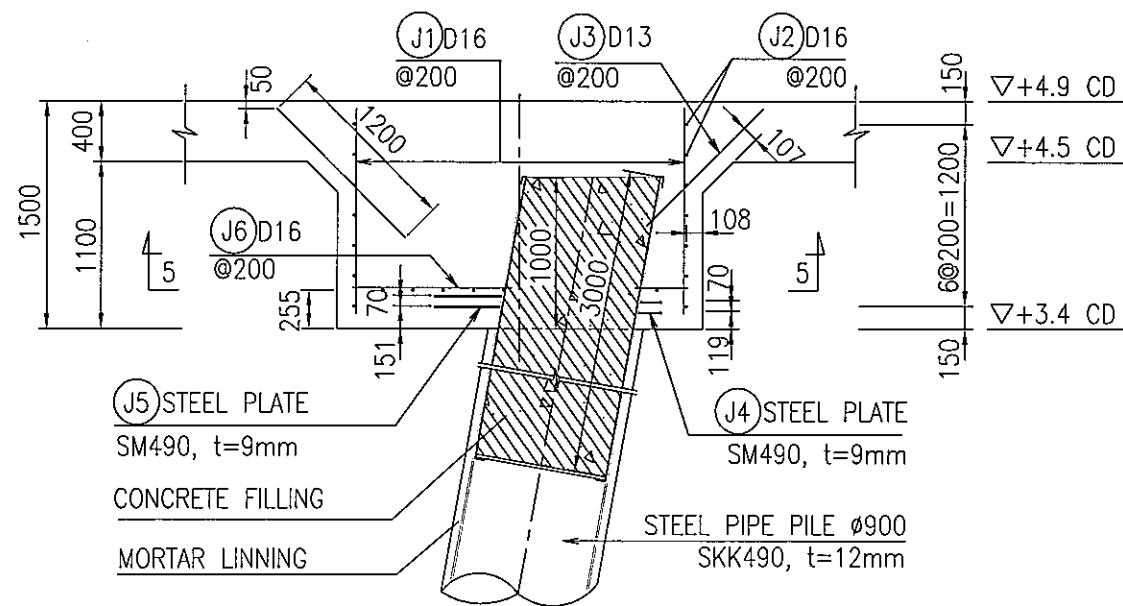
DETAIL OF BRACING BAR
SC=1/50



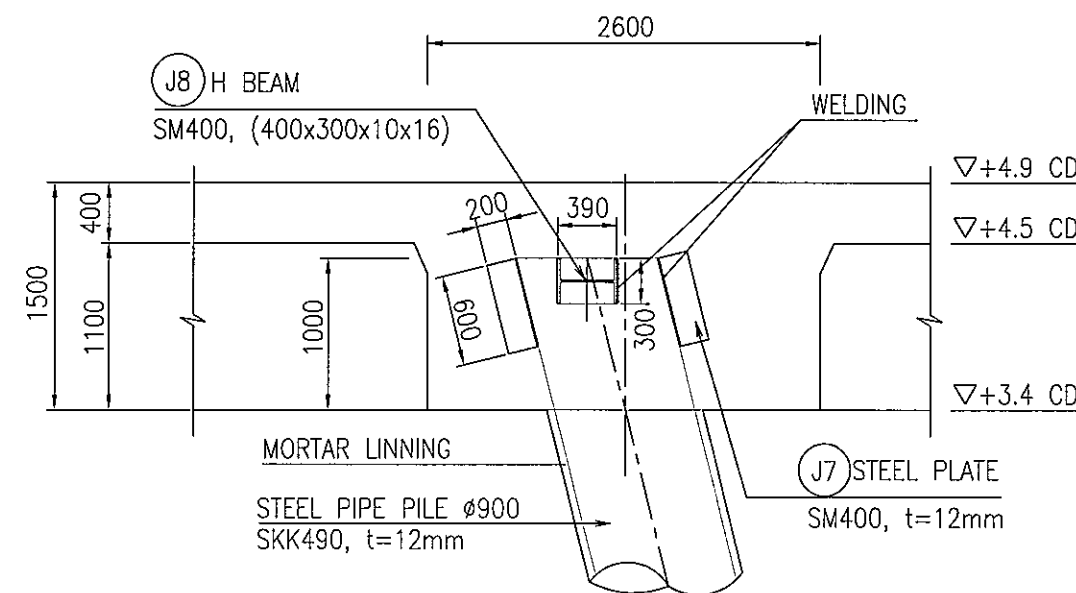
KEY PLAN

NOTES:

- DIMENSIONS ARE IN MILLIMETRES.
- ELEVATIONS ARE IN METRES - CHART DATUM.

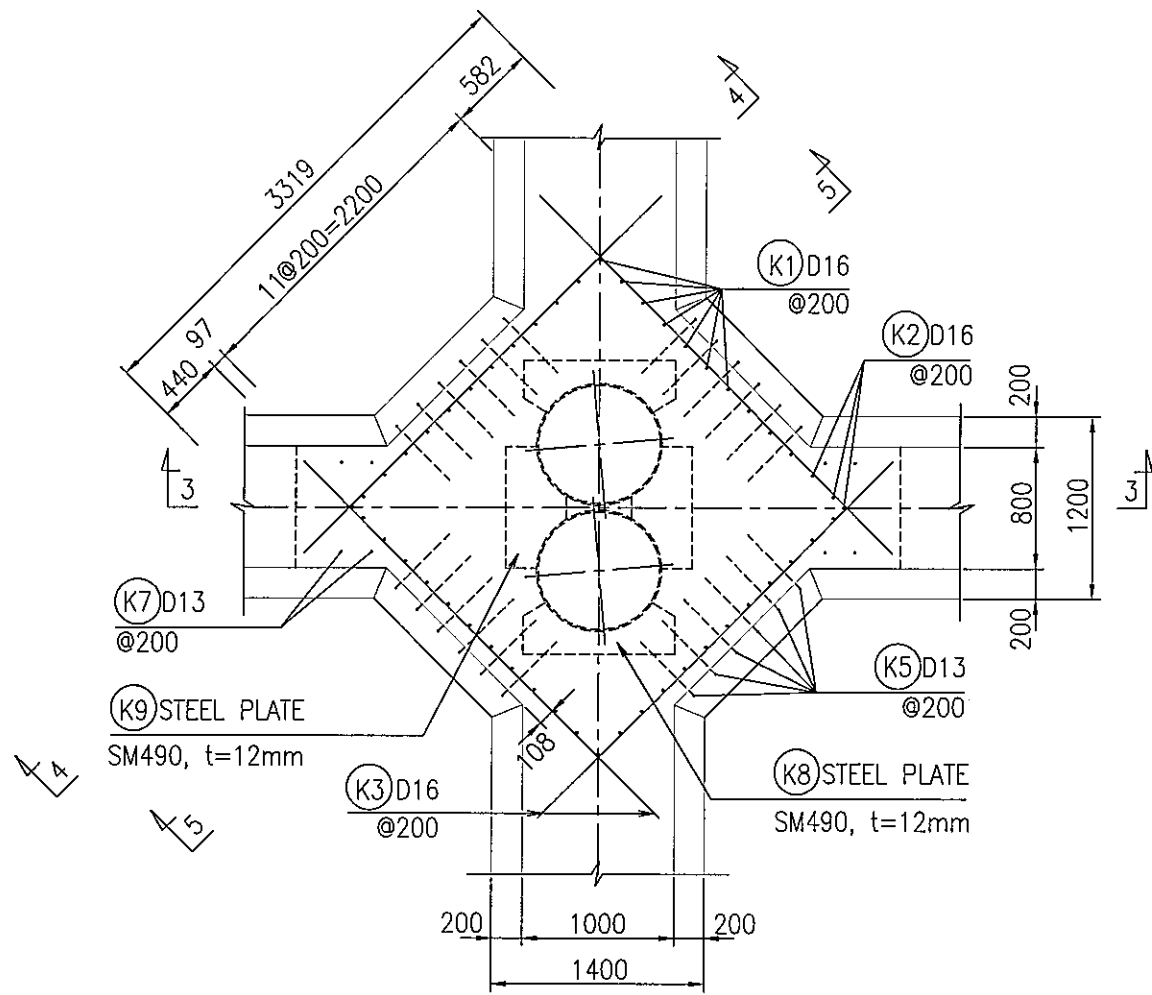


SECTION 4-4
SC=1/50

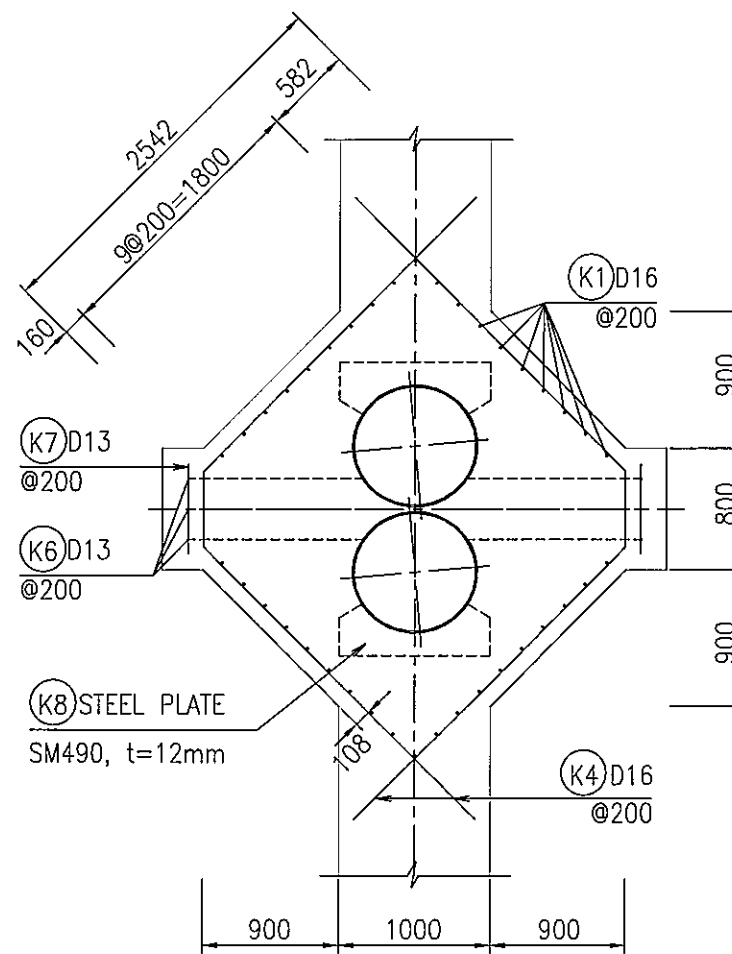


SECTION 6-6
SC=1/50

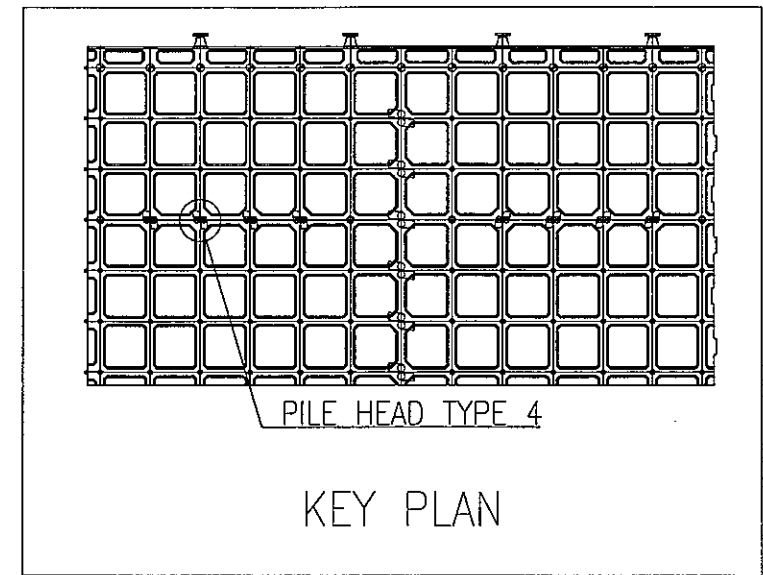
			THE SOCIALIST REPUBLIC OF VIETNAM MINISTRY OF TRANSPORT PROJECT MANAGEMENT UNIT 95		CAI MEP - THI VAI INTERNATIONAL PORT CONSTRUCTION PROJECT		DESIGNED BY: TRAN KHANH HUNG DRAWN BY: VU THI HANG CHECKED BY: YOSHIDA Y. APPROVED BY: NAGAI K. ISSUE DATE: 15/SEP/2005 SCALE: 1/50		SECTION: CIVIL WORKS SUB-SECTION: QUAY FACILITY TITLE OF DRAWING: DETAIL OF PILE HEAD TYPE 3 (2)	
					PACKAGE 2 CONSTRUCTION OF PORT FACILITIES AND BUILDINGS FOR THI VAI AREA				DWG NO: PAC2-TV-QAF-075 REV. NO	
DESCRIPTION			BY		APP					



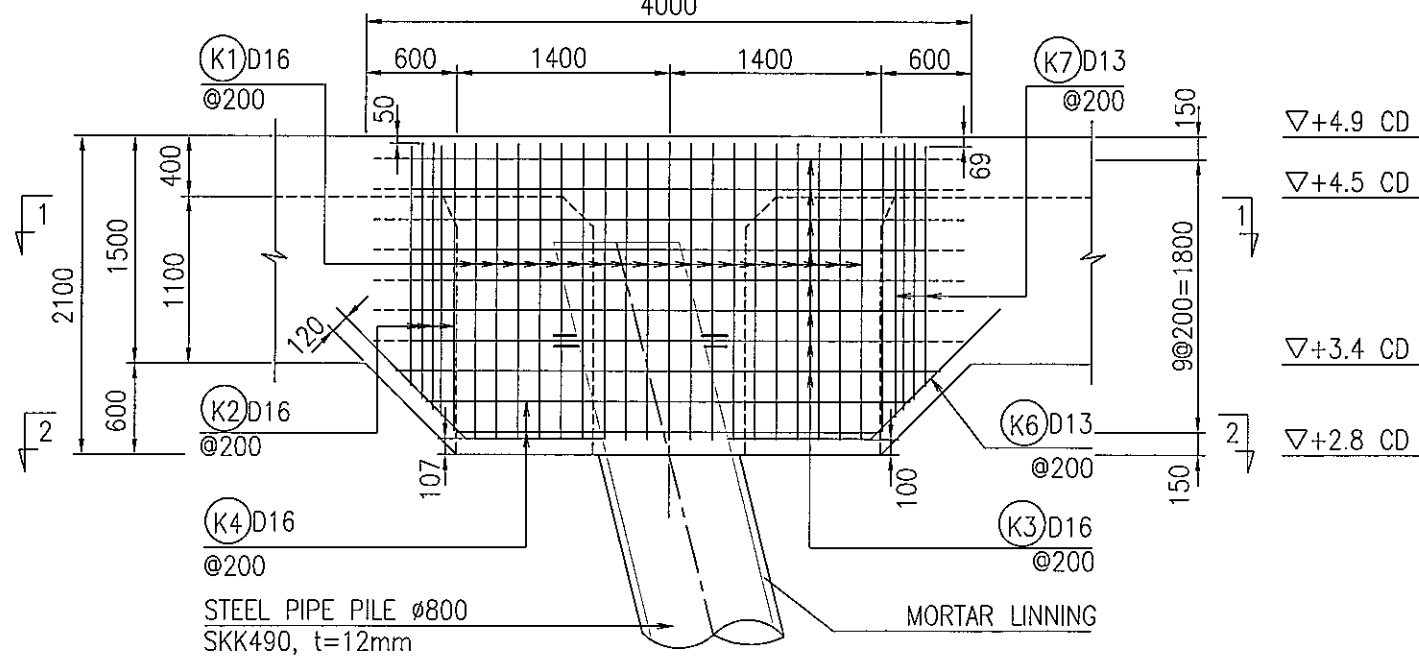
SECTION 1-1
SC=1/50
4000



SECTION 2-2
SC=1/50



KEY PLAN

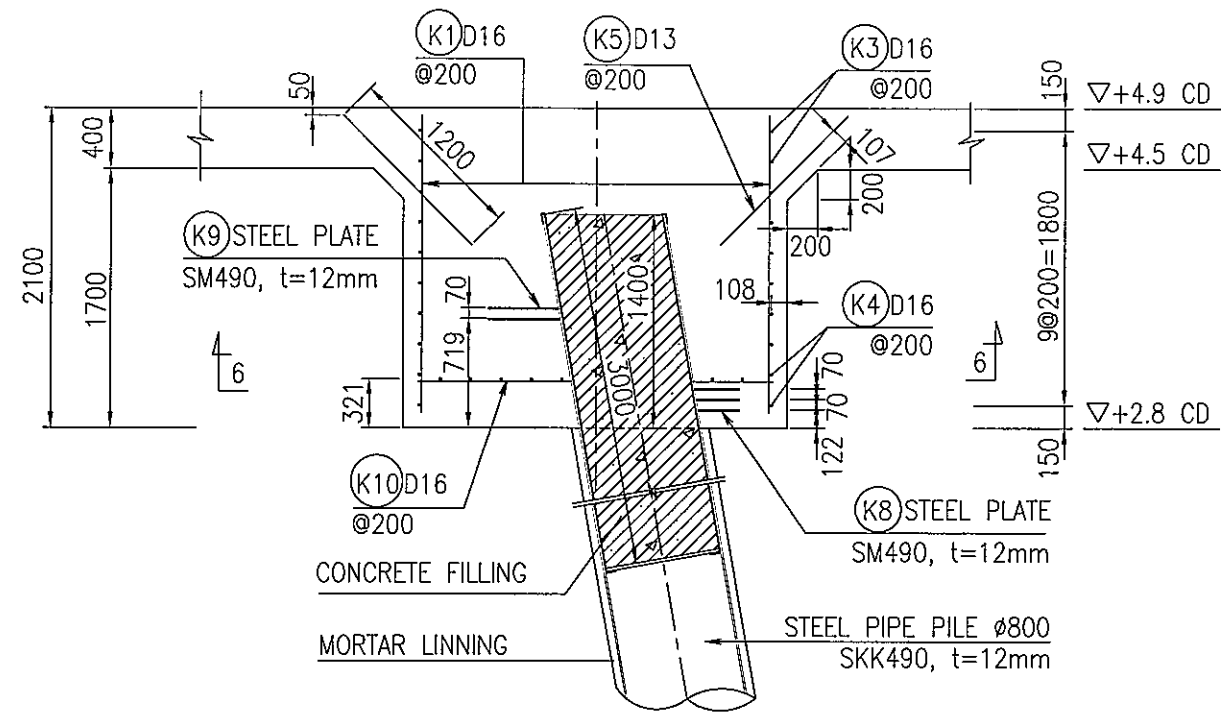


SECTION 3-3
SC=1/50

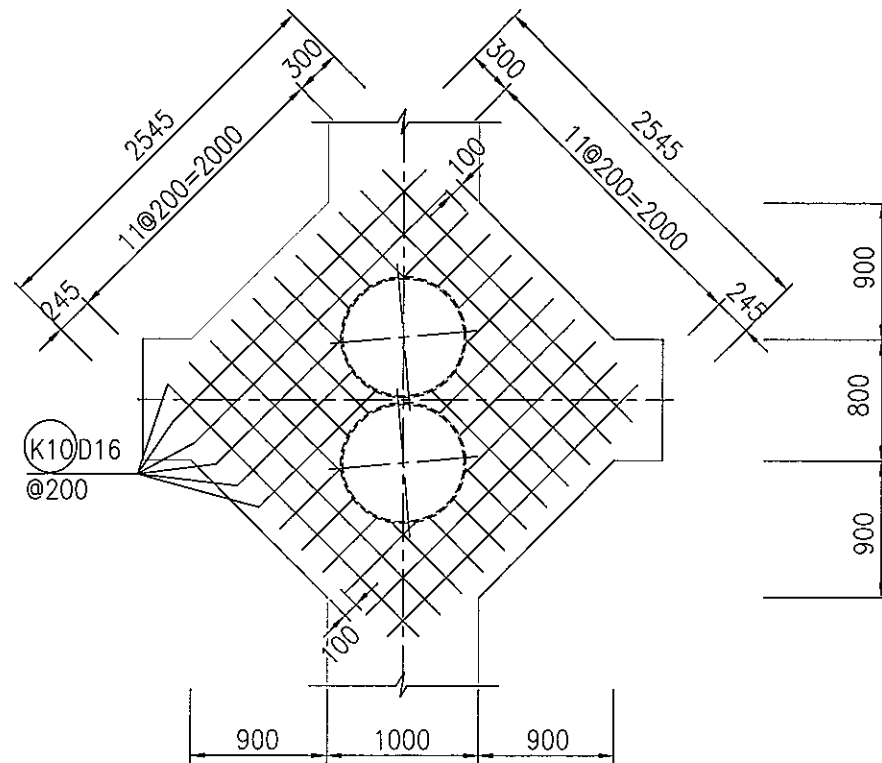
NOTES:

- DIMENSIONS ARE IN MILLIMETRES.
- ELEVATIONS ARE IN METRES - CHART DATUM.

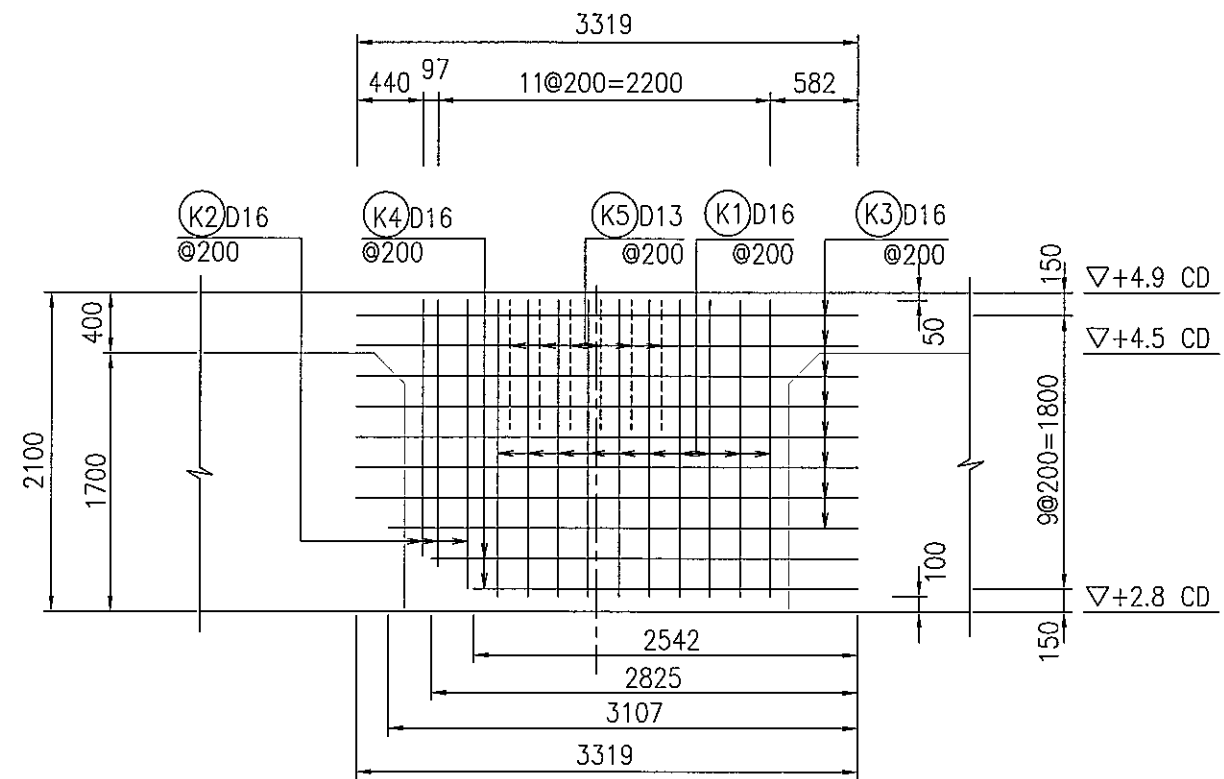
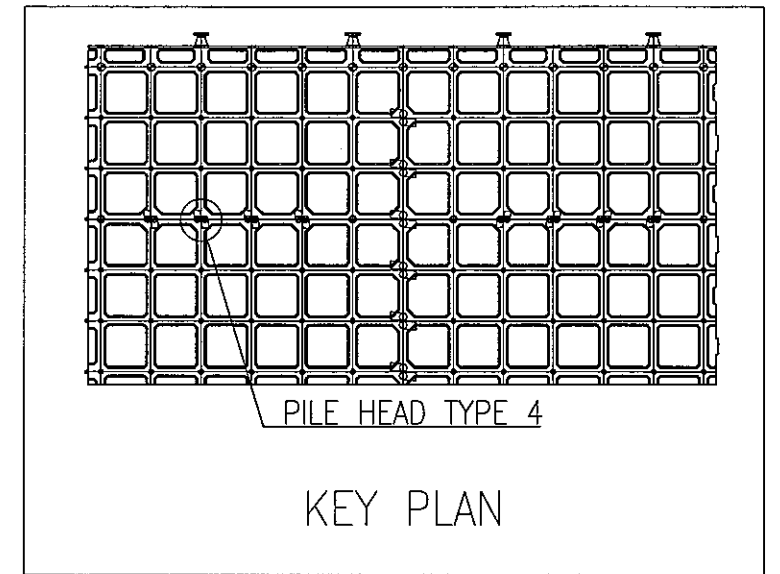
			THE SOCIALIST REPUBLIC OF VIETNAM MINISTRY OF TRANSPORT PROJECT MANAGEMENT UNIT 85		CAI MEP - THI VAI INTERNATIONAL PORT CONSTRUCTION PROJECT		DESIGNED BY: TRAN KHANH HUNG		SECTION: CIVIL WORKS	
					PACKAGE 2 CONSTRUCTION OF PORT FACILITIES AND BUILDINGS FOR THI VAI AREA		DRAWN BY: VU THI HANG		SUB-SECTION: QUAY FACILITY	
			JAPAN INTERNATIONAL COOPERATION AGENCY ASSIGNED TO: JAPAN PORT CONSULTANT (JPC) PACIFIC CONSULTANTS INTERNATIONAL (PCI) INTERNATIONAL DEVELOPMENT SYSTEM (IDS)		APPROVED BY: NAGAI K.		CHECKED BY: YOSHIDA Y.		TITLE OF DRAWING: DETAIL OF PILE HEAD TYPE 4 (1)	
							ISSUE DATE: 13/SEP/2005		DWG NO: PAC2-TV-QAF-076	
							SCALE: 1/50		REV. NO	
DESCRIPTION			BY		APP					



SECTION 5-5
SC=1/50



SECTION 6-6
SC=1/50

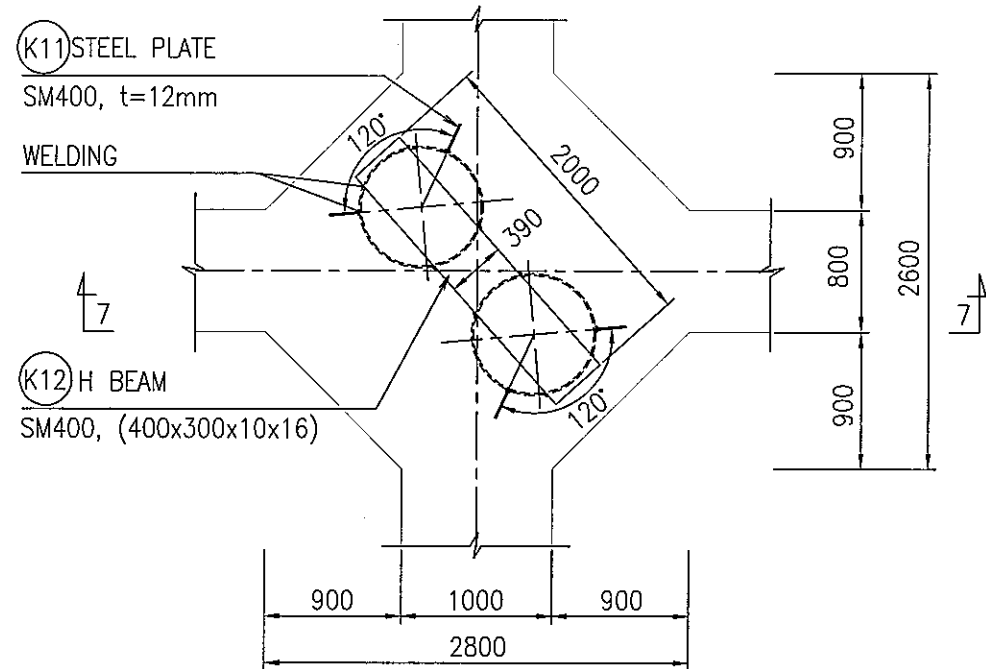


SECTION 4-4
SC=1/50

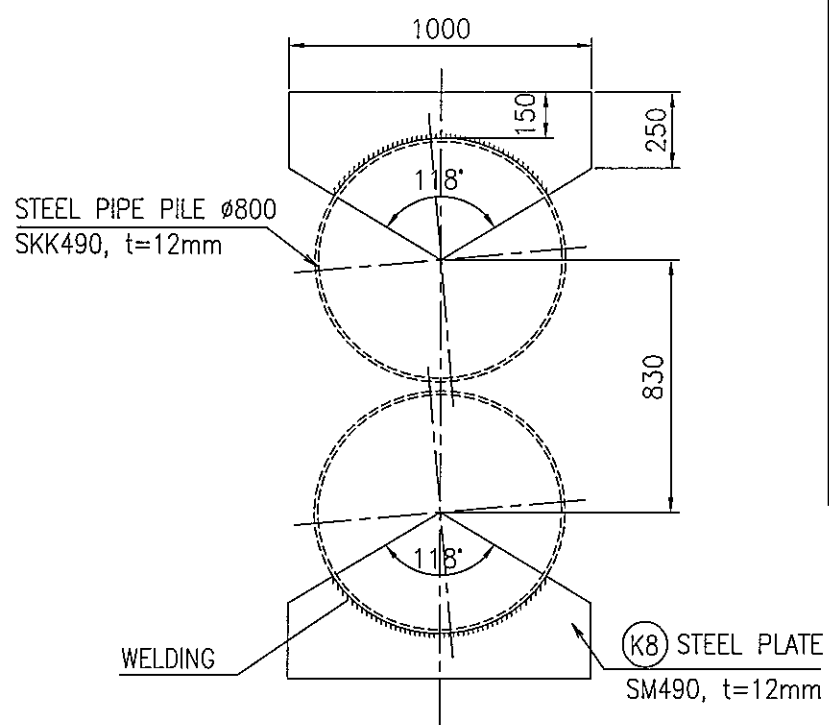
NOTES:

- DIMENSIONS ARE IN MILLIIMETRES.
- ELEVATIONS ARE IN METRES - CHART DATUM.

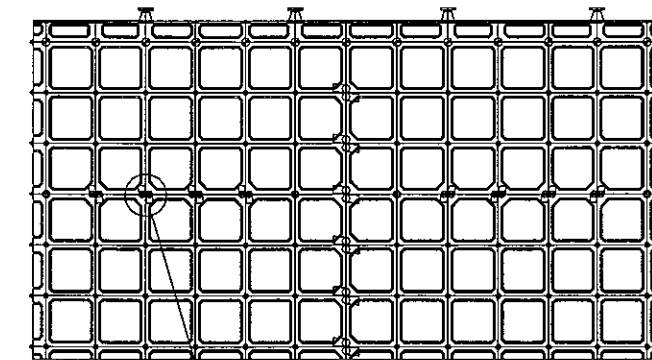
		THE SOCIALIST REPUBLIC OF VIETNAM MINISTRY OF TRANSPORT PROJECT MANAGEMENT UNIT 85		CAI MEP - THI VAI INTERNATIONAL PORT CONSTRUCTION PROJECT		DESIGNED BY: TRAN KHANH HUNG		SECTION: CIVIL WORKS	
		JAPAN INTERNATIONAL COOPERATION AGENCY ASSIGNED TO: JAPAN PORT CONSULTANT (JPC) PACIFIC CONSULTANTS INTERNATIONAL (PCI) INTERNATIONAL DEVELOPMENT SYSTEM (IDS)		PACKAGE 2 CONSTRUCTION OF PORT FACILITIES AND BUILDINGS FOR THI VAI AREA		DRAWN BY: VU THI HANG		SUB-SECTION: QUAY FACILITY	
						CHECKED BY: YOSHIDA Y.		TITLE OF DRAWING: DETAIL OF PILE HEAD TYPE 4 (2)	
						APPROVED BY: NAGAI K.		DWG NO: PAC2-TV-QAF-077	
						ISSUE DATE: 15/SEP/2005		REV. NO	
						SCALE: 1/50			



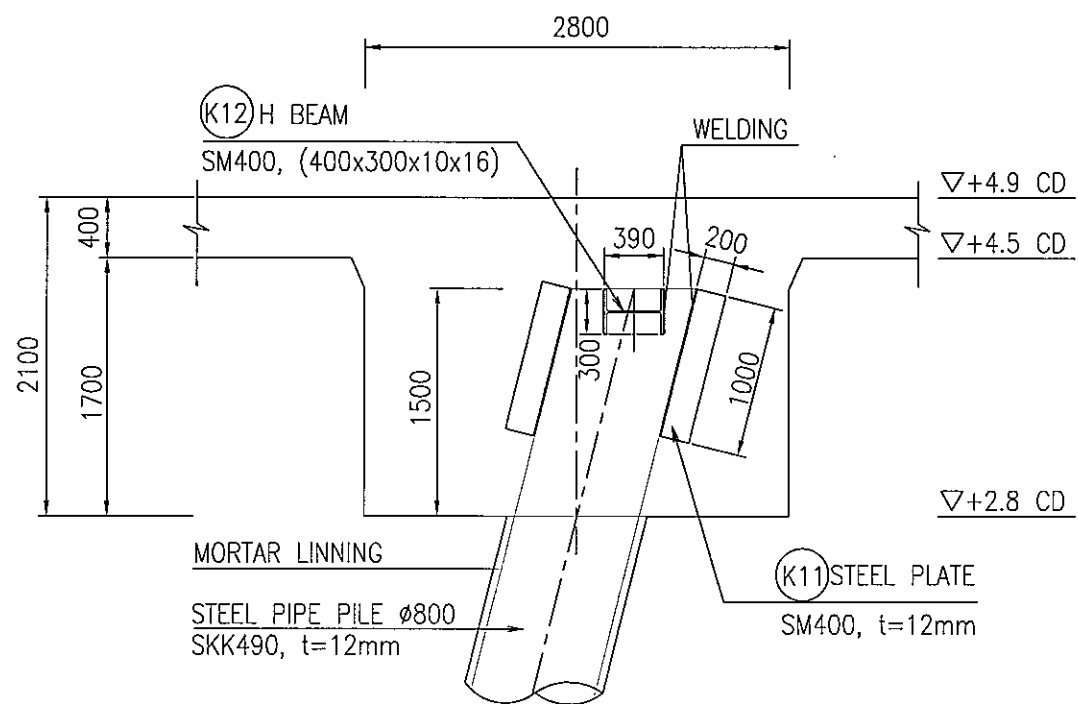
DETAIL OF BRACING BAR
SC=1/50



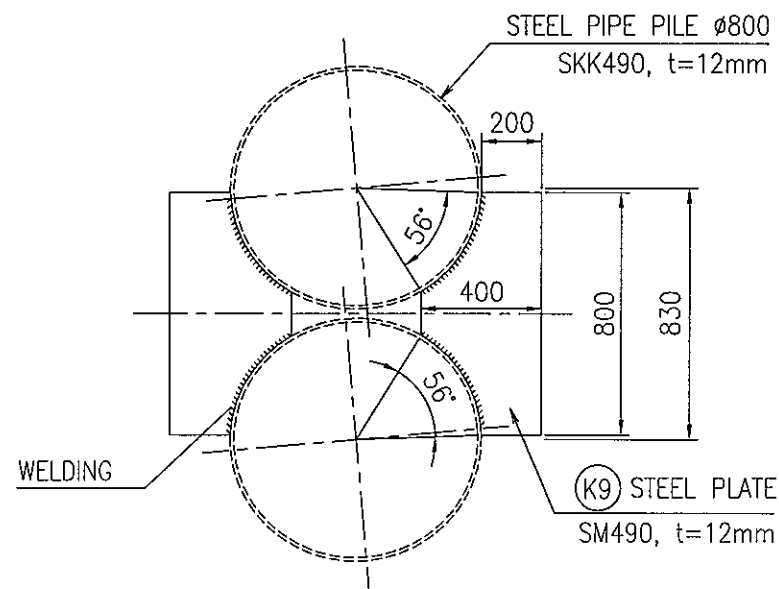
DETAIL OF (K8)
SC=1/25



PILE HEAD TYPE 4
KEY PLAN



SECTION 7-7
SC=1/50

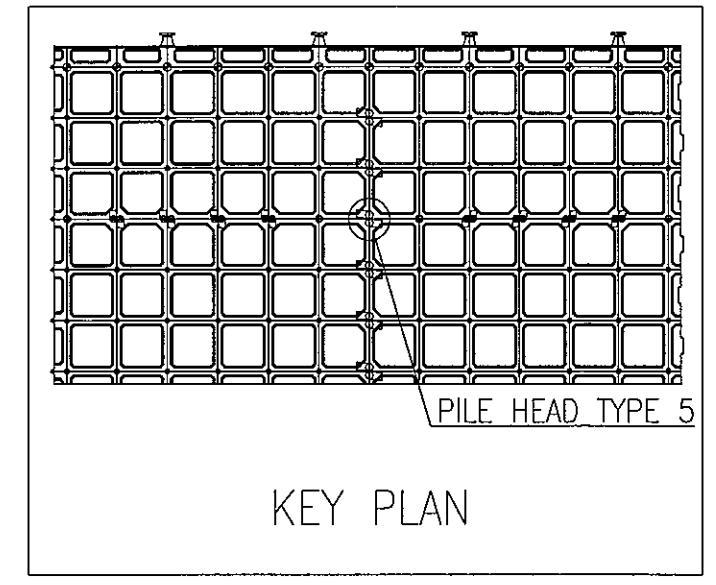
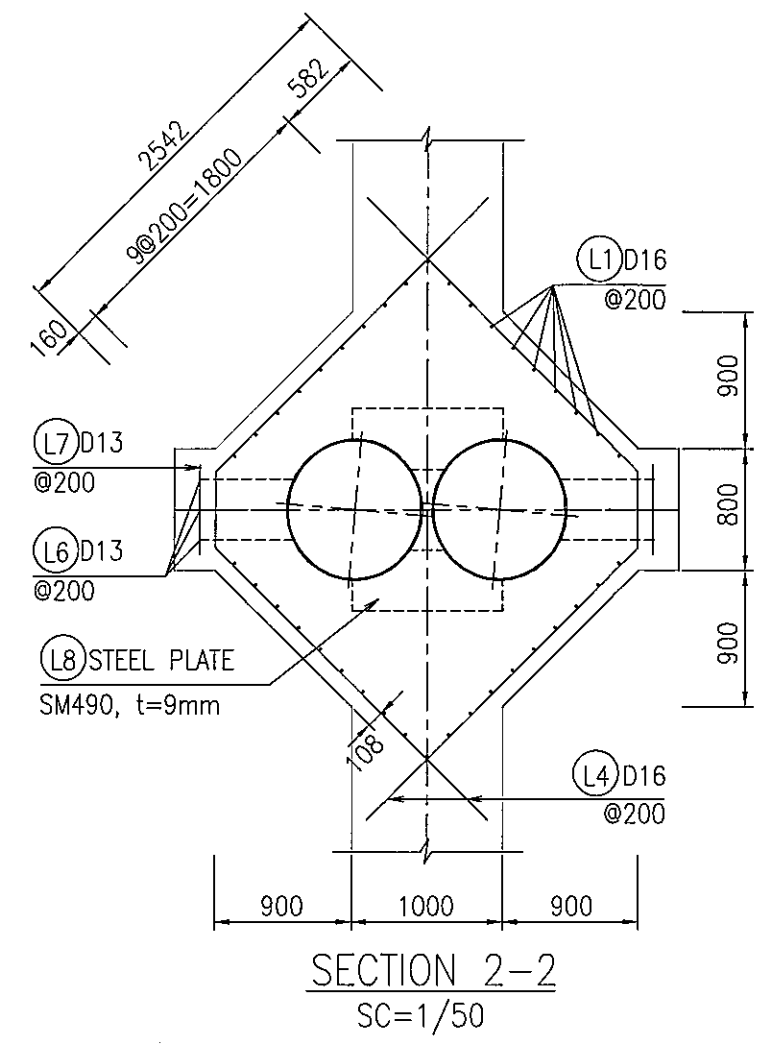
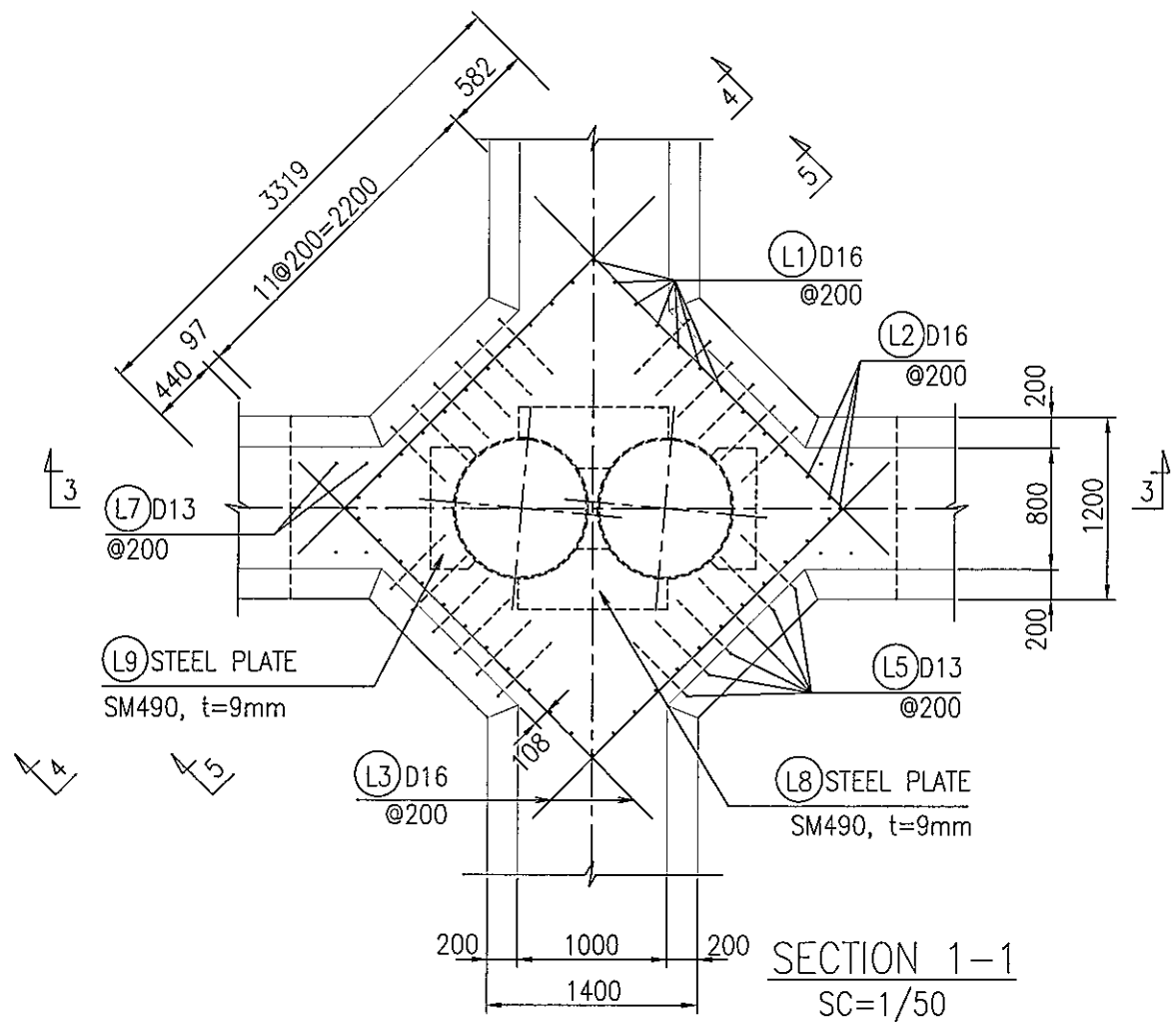


DETAIL OF (K9)
SC=1/25

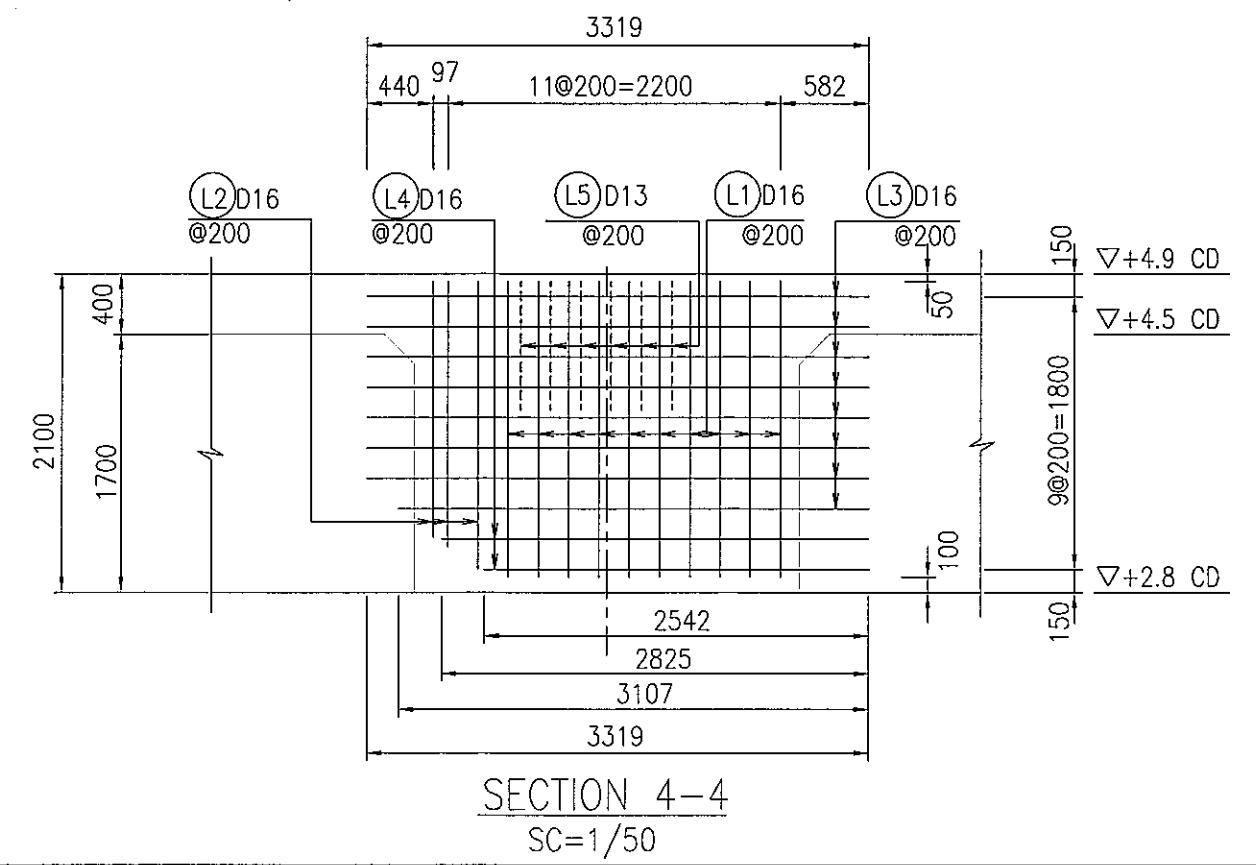
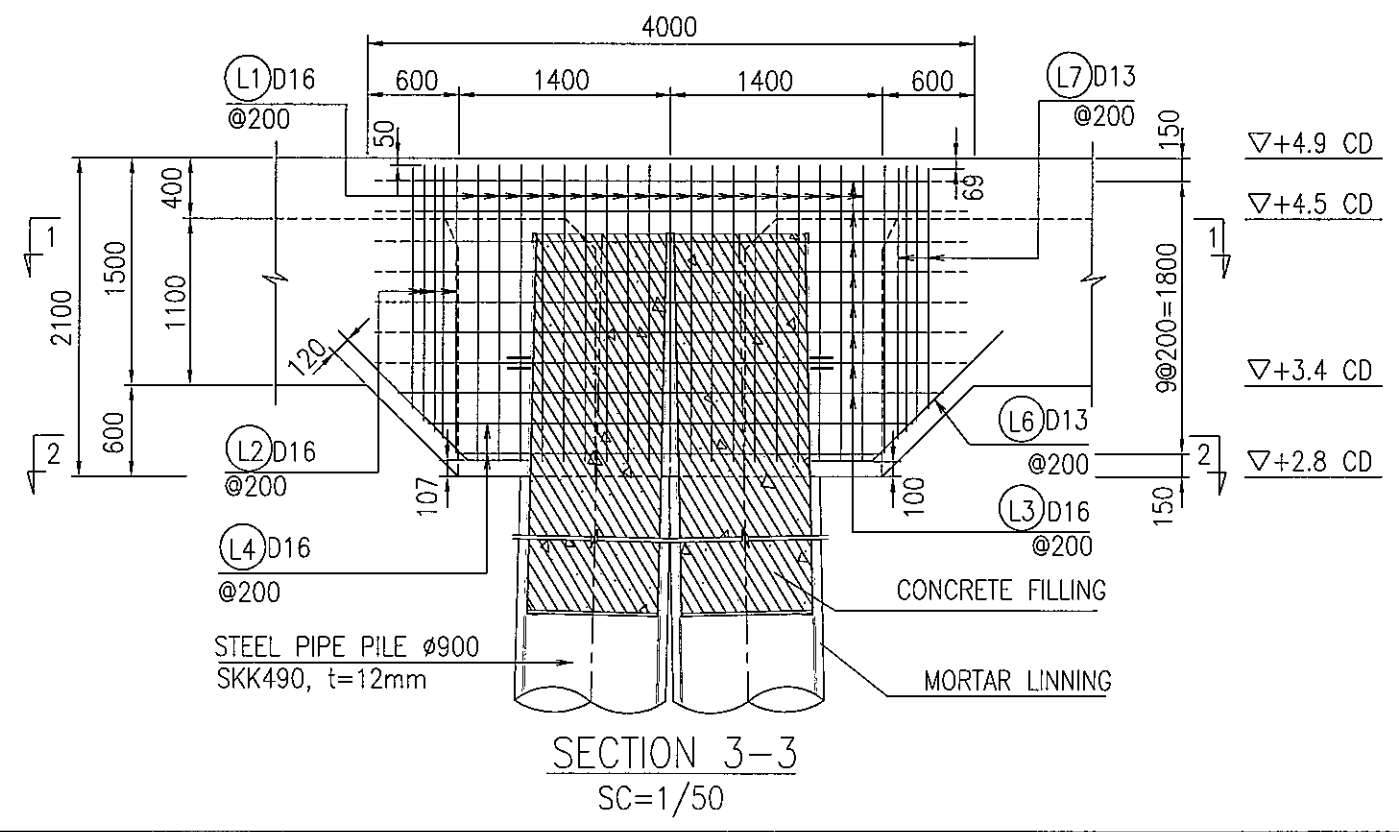
NOTES:

- DIMENSIONS ARE IN MILLIMETRES.
- ELEVATIONS ARE IN METRES - CHART DATUM.

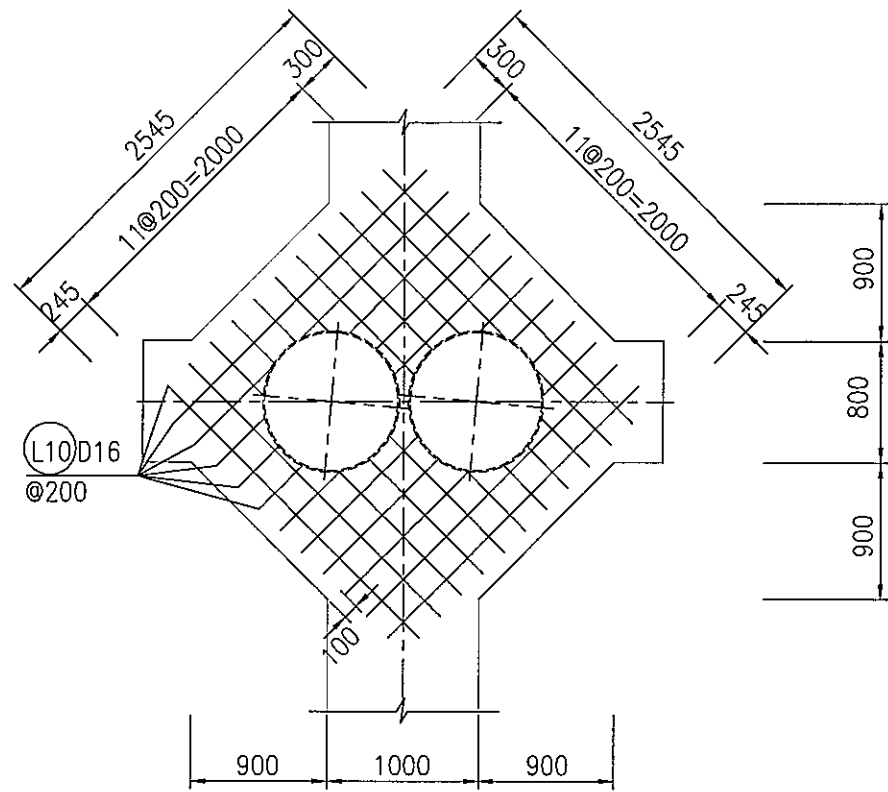
		THE SOCIALIST REPUBLIC OF VIETNAM MINISTRY OF TRANSPORT PROJECT MANAGEMENT UNIT 85		CAI MEP - THI VAI INTERNATIONAL PORT CONSTRUCTION PROJECT		DESIGNED BY: TRAN KHANH HUNG		SECTION: CIVIL WORKS	
		JICA JAPAN INTERNATIONAL COOPERATION AGENCY ASSIGNED TO: JAPAN PORT CONSULTANT (JPC) PACIFIC CONSULTANTS INTERNATIONAL (PCI) INTERNATIONAL DEVELOPMENT SYSTEM (IDS)		PACKAGE 2 CONSTRUCTION OF PORT FACILITIES AND BUILDINGS FOR THI VAI AREA		DRAWN BY: VU THI HANG		SUB-SECTION: QUAY FACILITY	
						CHECKED BY: YOSHIDA Y.		TITLE OF DRAWING: DETAIL OF PILE HEAD TYPE 4 (3)	
						APPROVED BY: NAGAI K.		DWG NO: PAC2-TV-QAF-078	
						ISSUE DATE: 15/SEP/2005		REV. NO	
						SCALE: 1/50, 1/25			



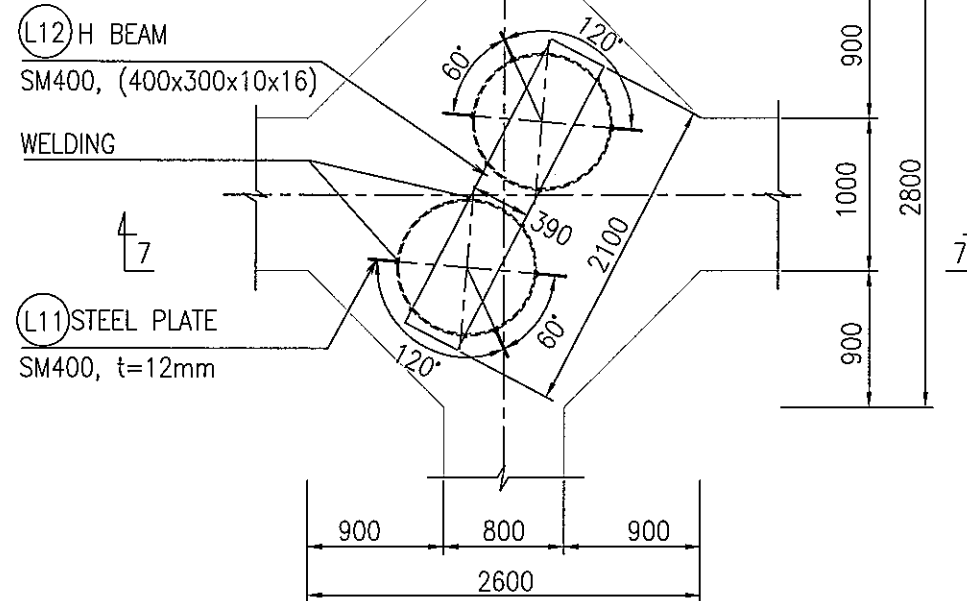
NOTES:
 - DIMENSIONS ARE IN MILLIMETRES.
 - ELEVATIONS ARE IN METRES - CHART DATUM.



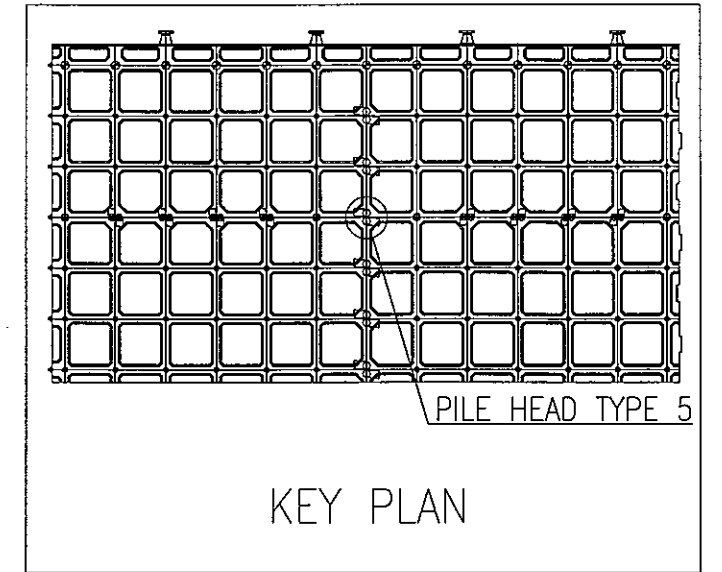
			THE SOCIALIST REPUBLIC OF VIETNAM MINISTRY OF TRANSPORT PROJECT MANAGEMENT UNIT 85		CAI MEP - THI VAI INTERNATIONAL PORT CONSTRUCTION PROJECT		DESIGNED BY: TRAN KHANH HUNG		SECTION: CIVIL WORKS	
			JAPAN INTERNATIONAL COOPERATION AGENCY ASSIGNED TO: JAPAN PORT CONSULTANT (JPC) PACIFIC CONSULTANTS INTERNATIONAL (PCI) INTERNATIONAL DEVELOPMENT SYSTEM (IDS)		PACKAGE 2 CONSTRUCTION OF PORT FACILITIES AND BUILDINGS FOR THI VAI AREA		DRAWN BY: VU THI HANG		SUB-SECTION: QUAY FACILITY	
							CHECKED BY: YOSHIDA Y.		TITLE OF DRAWING: DETAIL OF PILE HEAD TYPE 5 (1)	
							APPROVED BY: NAGAI K.		DWG NO: PAC2-TV-QAF-079	
							ISSUE DATE: 15/SEP/2005		REV. NO	
							SCALE: 1/50			



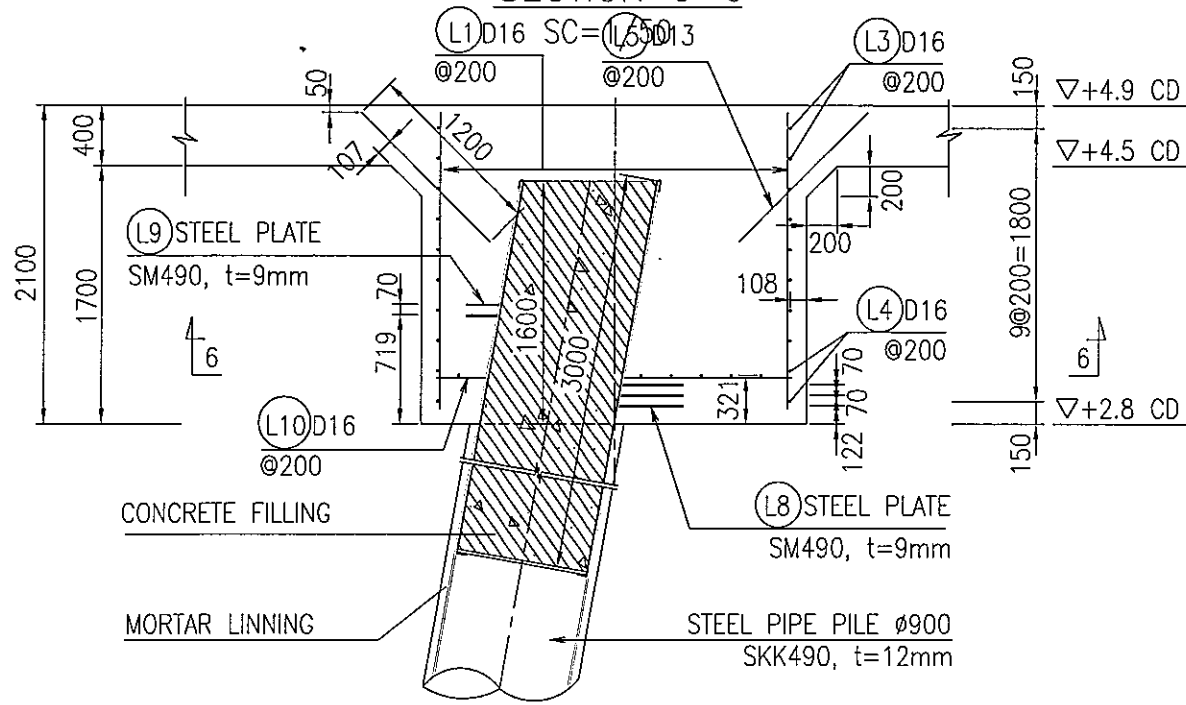
SECTION 6-6



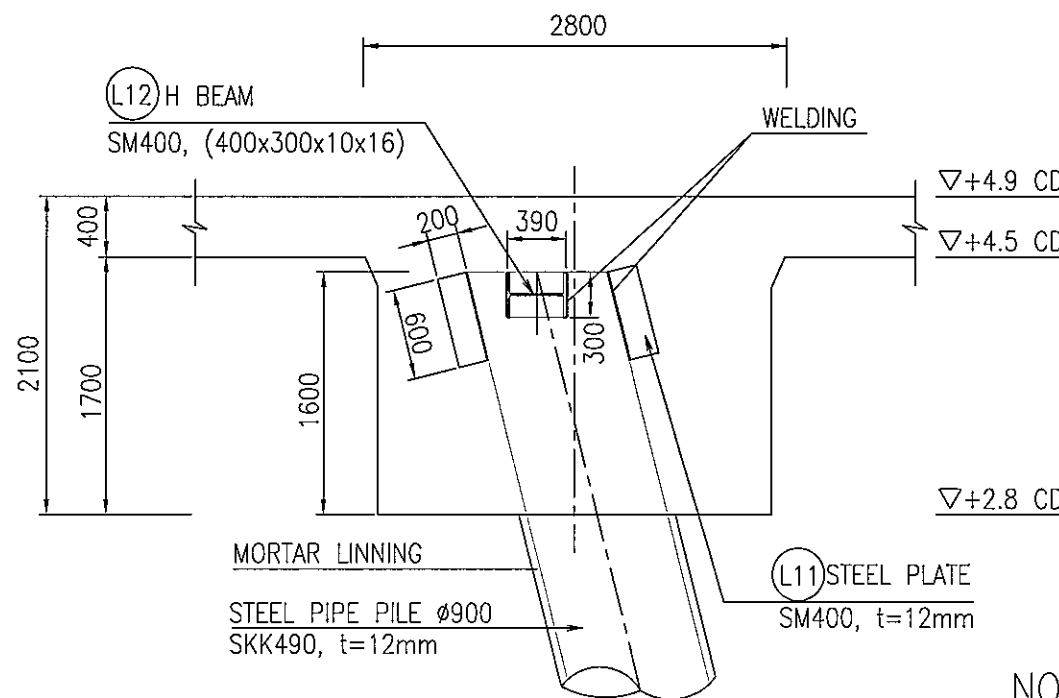
DETAIL OF BRACING BAR
SC=1/50



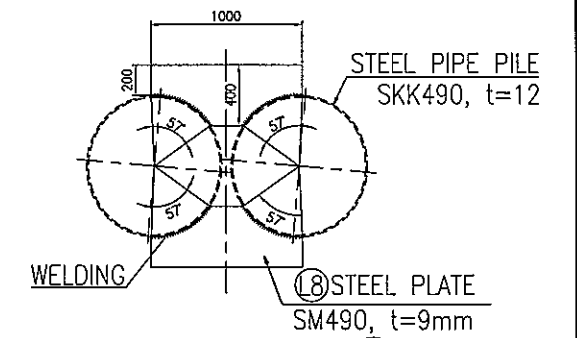
KEY PLAN



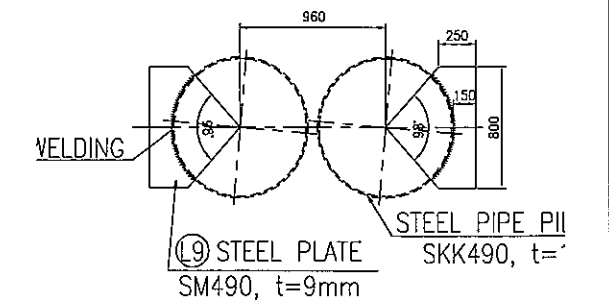
SECTION 5-5
SC=1/50



SECTION 7-7
SC=1/50



DETAIL OF (8)
SC=1/50

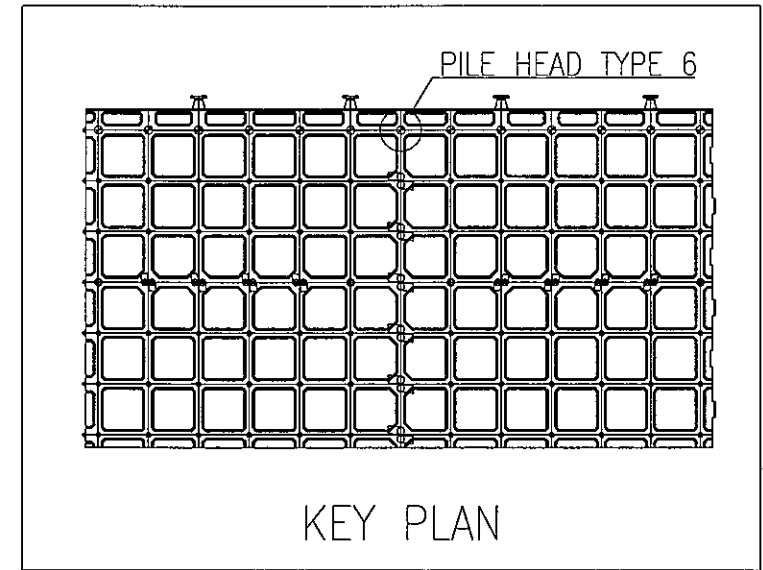
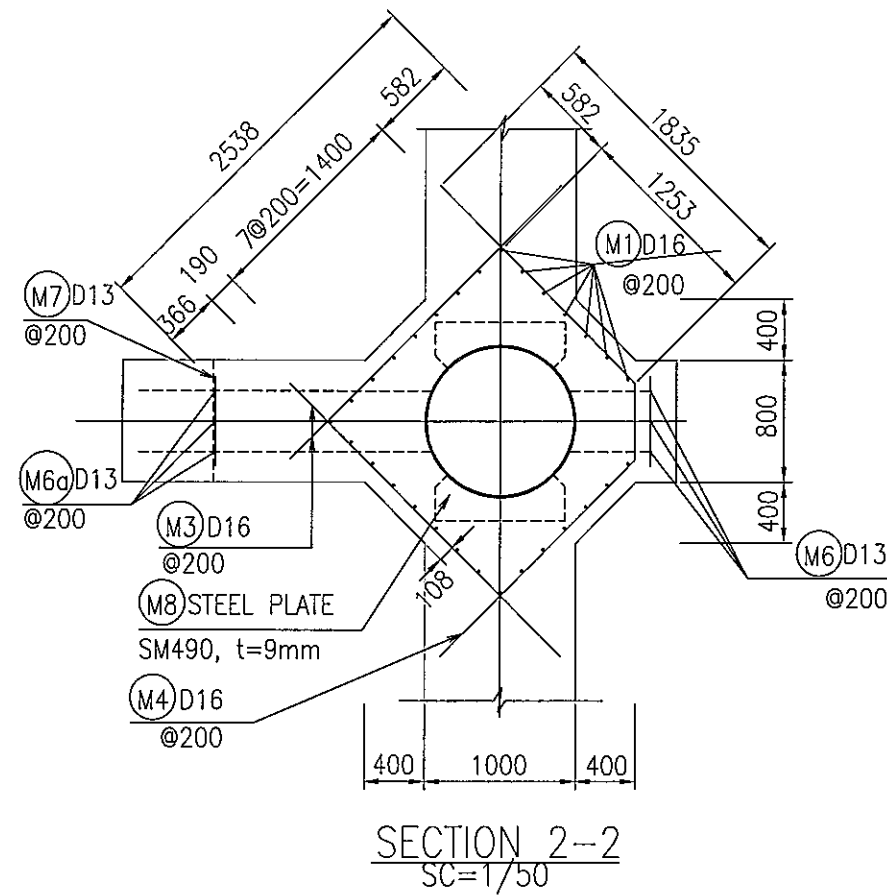
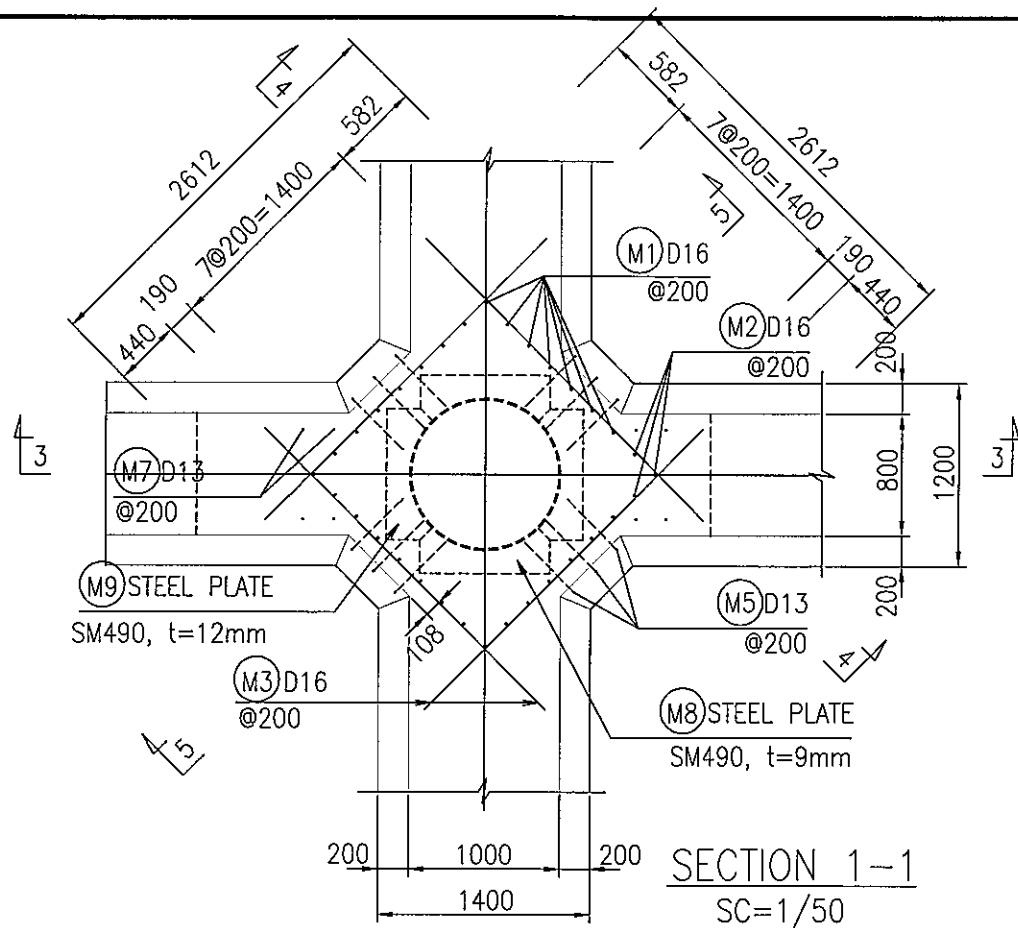


DETAIL OF (9)
SC=1/50

NOTES:

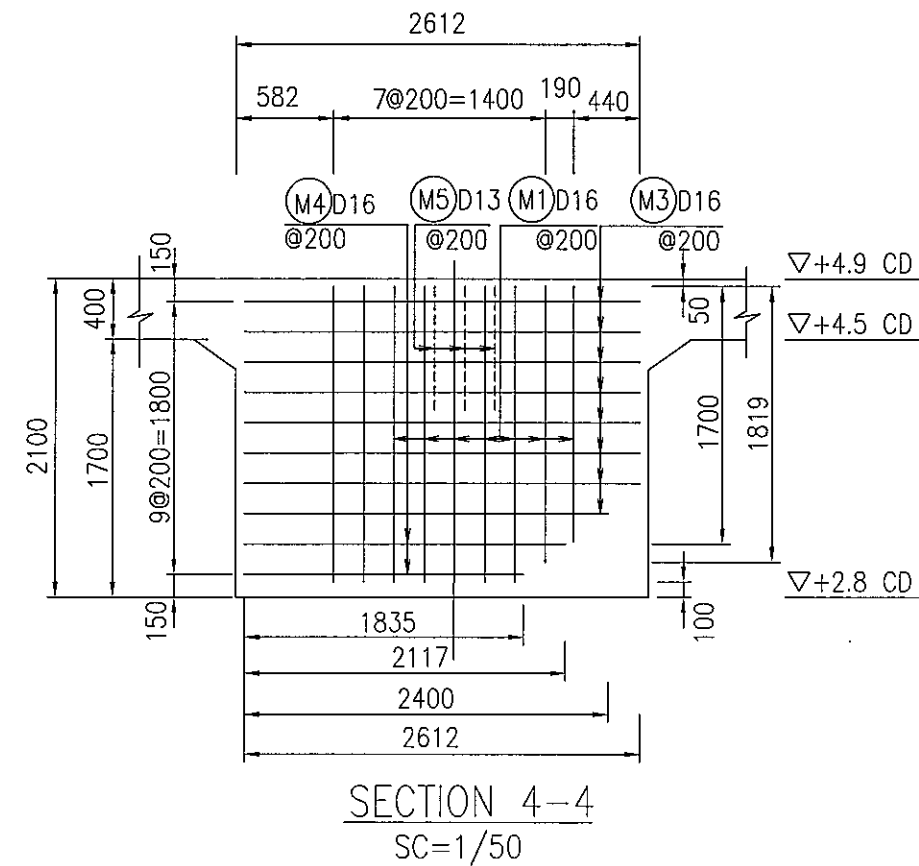
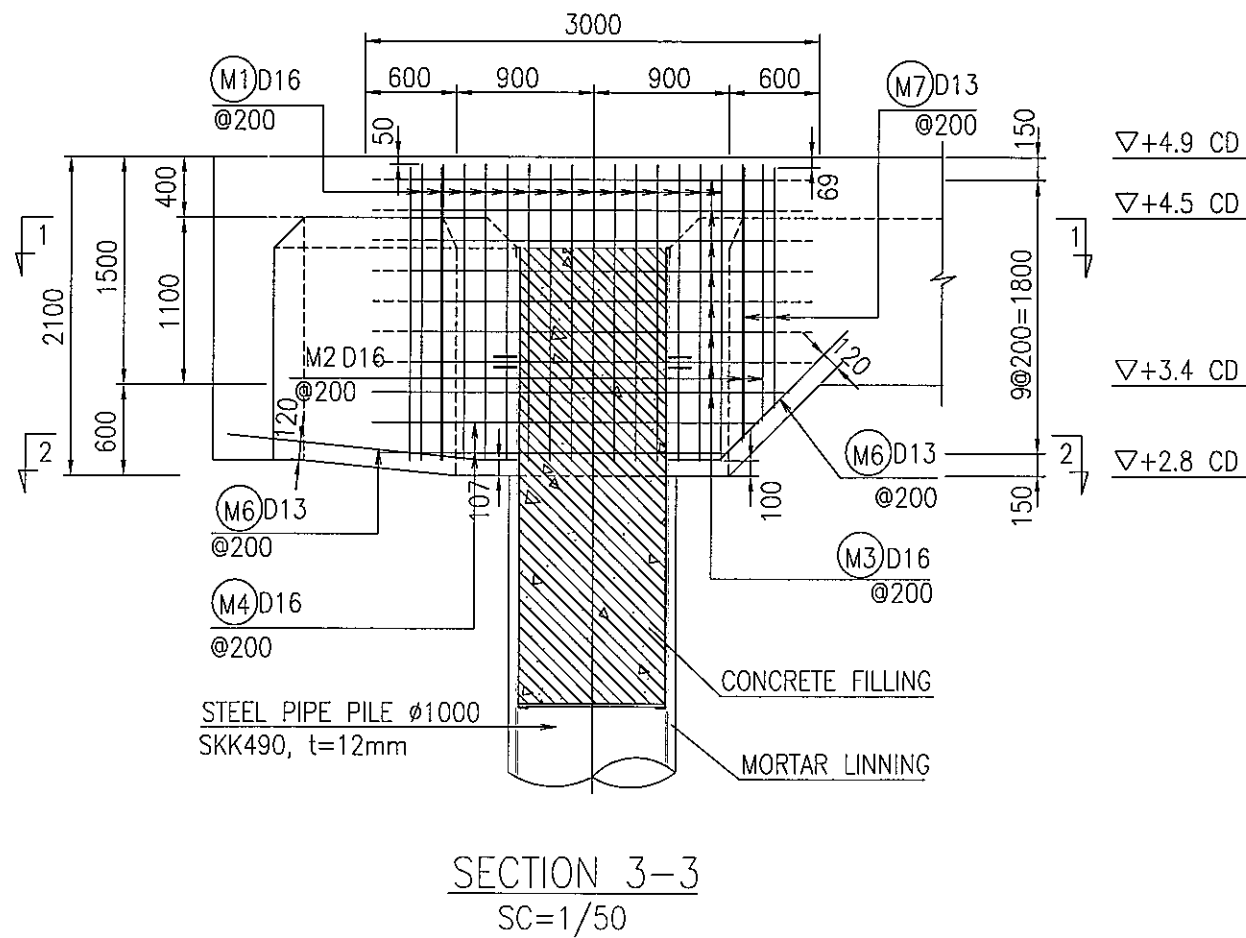
- DIMENSIONS ARE IN MILLIOMETRES.
- ELEVATIONS ARE IN METRES - CHART DATUM.

			THE SOCIALIST REPUBLIC OF VIETNAM MINISTRY OF TRANSPORT PROJECT MANAGEMENT UNIT 85 PMUS		CAI MEP - THI VAI INTERNATIONAL PORT CONSTRUCTION PROJECT		DESIGNED BY: TRAN KHANH HUNG DRAWN BY: NGUYEN THI HANG CHECKED BY: YOSHIDA Y. APPROVED BY: NAGAI K. ISSUE DATE: 15/SEP/2005 SCALE: 1/50		SECTION: CIVIL WORKS SUB-SECTION: QUAY FACILITY TITLE OF DRAWING: DETAIL OF PILE HEAD TYPE 5 (2)	
			JICA JAPAN INTERNATIONAL COOPERATION AGENCY ASSIGNED TO: JAPAN PORT CONSULTANT (JPC) PACIFIC CONSULTANTS INTERNATIONAL (PCI) INTERNATIONAL DEVELOPMENT SYSTEM (IDS)		PACKAGE 2 CONSTRUCTION OF PORT FACILITIES AND BUILDINGS FOR THI VAI AREA				DWG NO: PAC2-TV-QAF-080 REV. NO	
DESCRIPTION			BY		APP					



NOTES:

- DIMENSIONS ARE IN MILLIMETRES.
- ELEVATIONS ARE IN METRES - CHART DATUM.



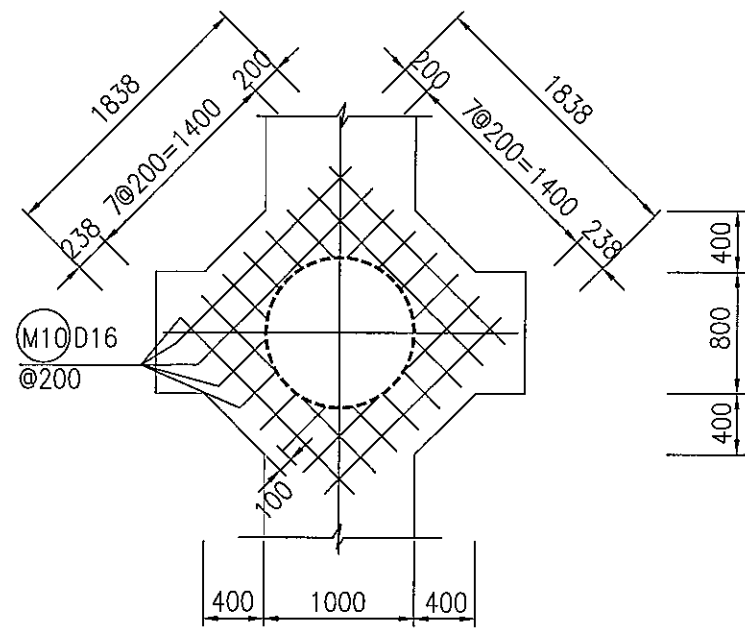
THE SOCIALIST REPUBLIC OF VIETNAM
 MINISTRY OF TRANSPORT
 PROJECT MANAGEMENT UNIT 85

JICA
 JAPAN INTERNATIONAL COOPERATION AGENCY
 ASSIGNED TO:
 JAPAN PORT CONSULTANT (JPC)
 PACIFIC CONSULTANTS INTERNATIONAL (PCI)
 INTERNATIONAL DEVELOPMENT SYSTEM (IDS)

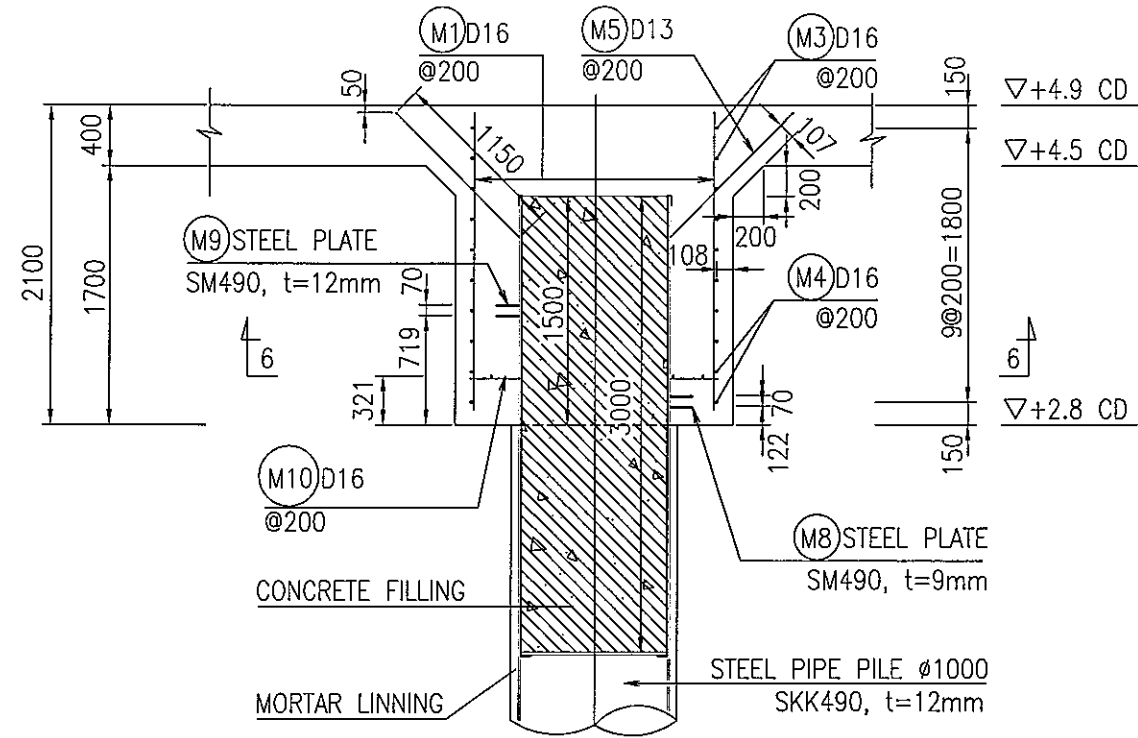
CAI MEP - THI VAI INTERNATIONAL PORT
 CONSTRUCTION PROJECT
 PACKAGE 2
 CONSTRUCTION OF PORT FACILITIES AND BUILDINGS FOR
 THI VAI AREA

DESIGNED BY:
 TRAN KHANH HUNG
 DRAWN BY:
 VU THI HANG
 CHECKED BY:
 YOSHIDA Y.
 APPROVED BY:
 NAGAI K.
 ISSUE DATE:
 15/SEP/2005
 SCALE:
 1/50

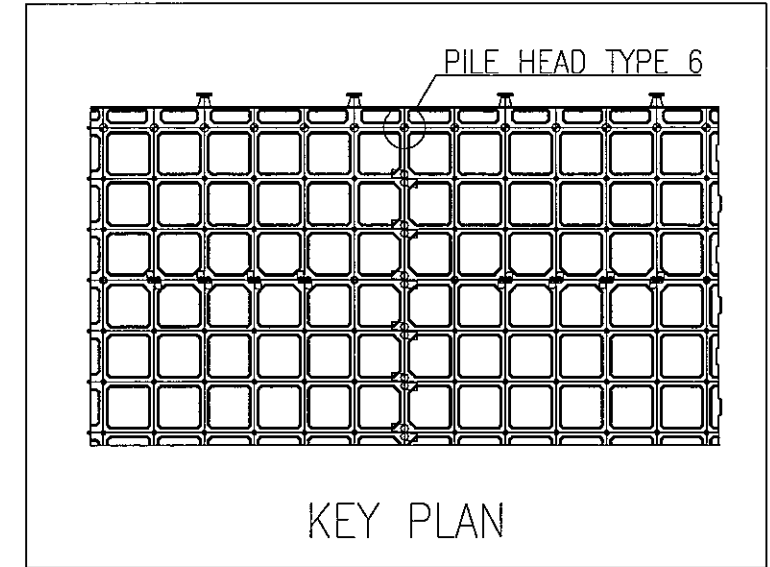
SECTION:
 CIVIL WORKS
 SUB-SECTION:
 QUAY FACILITY
 TITLE OF DRAWING:
 DETAIL OF PILE HEAD TYPE 6 (1)
 DWG NO:
 PAC2-TV-QAF-081
 REV. NO



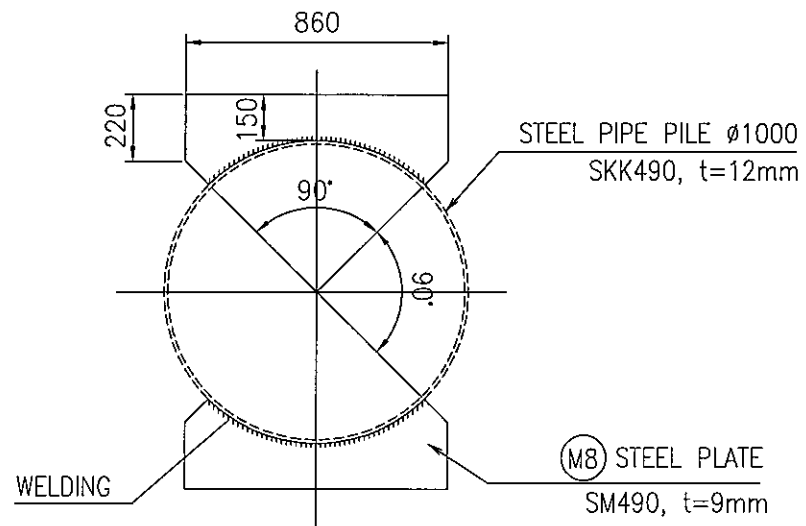
SECTION 6-6
SC=1/50



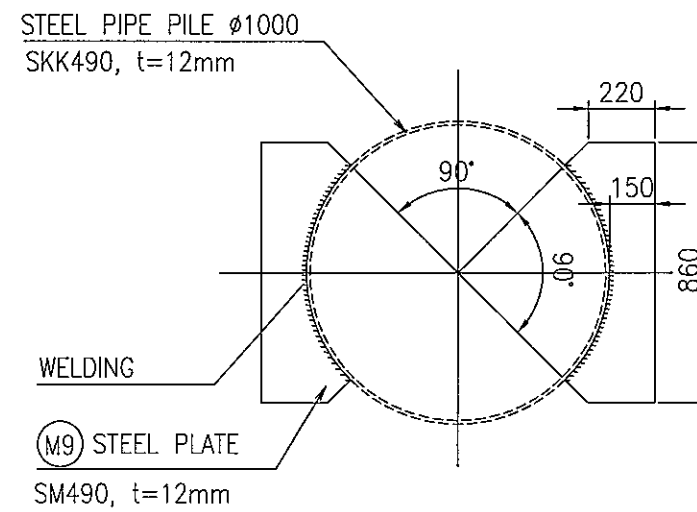
SECTION 5-5
SC=1/50



KEY PLAN



DETAIL OF (M8)
SC=1/25

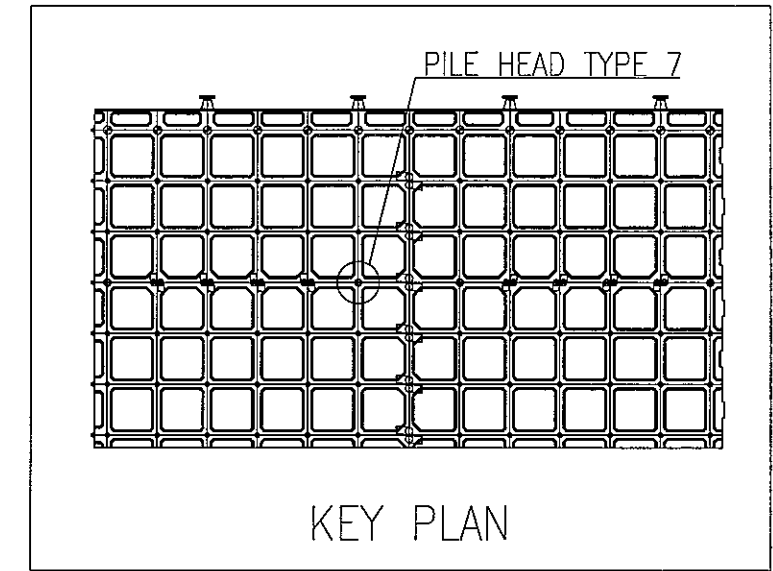
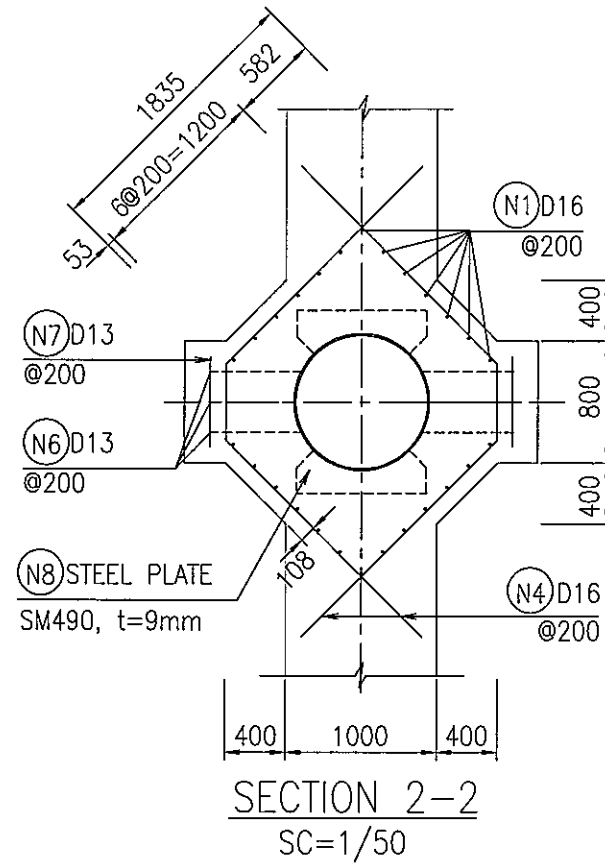
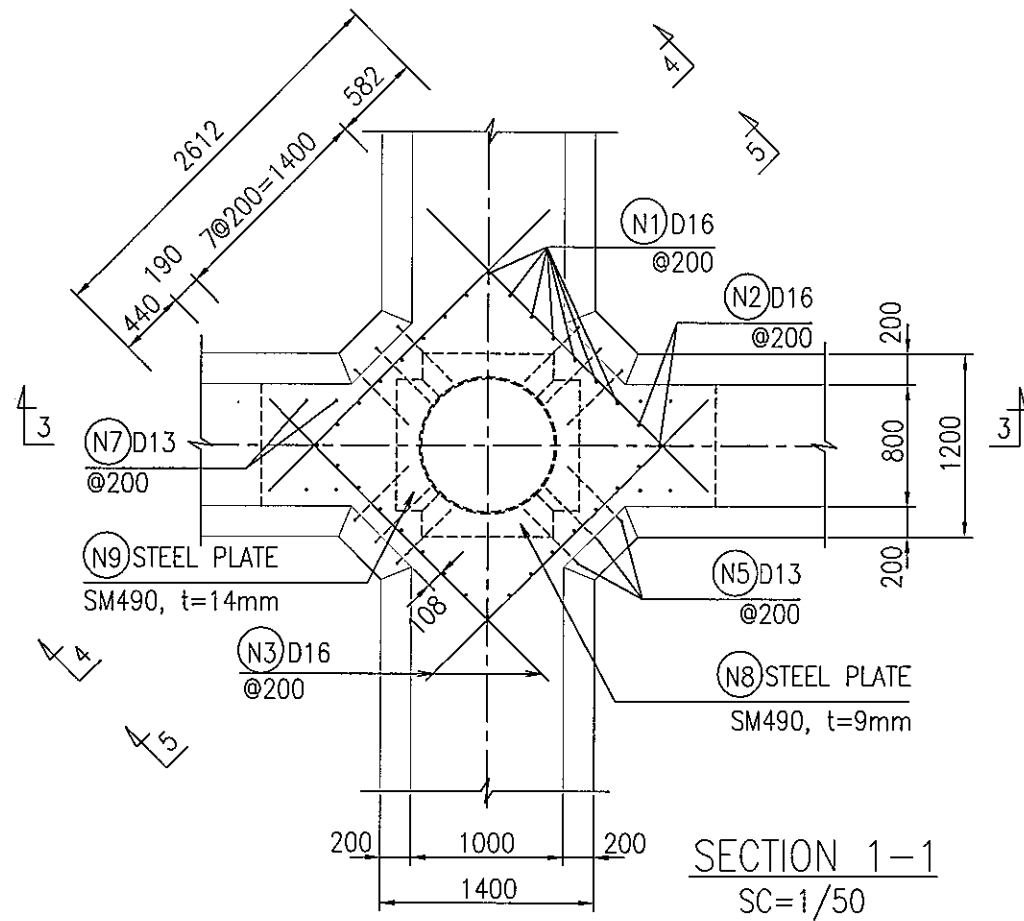


DETAIL OF (M9)
SC=1/25

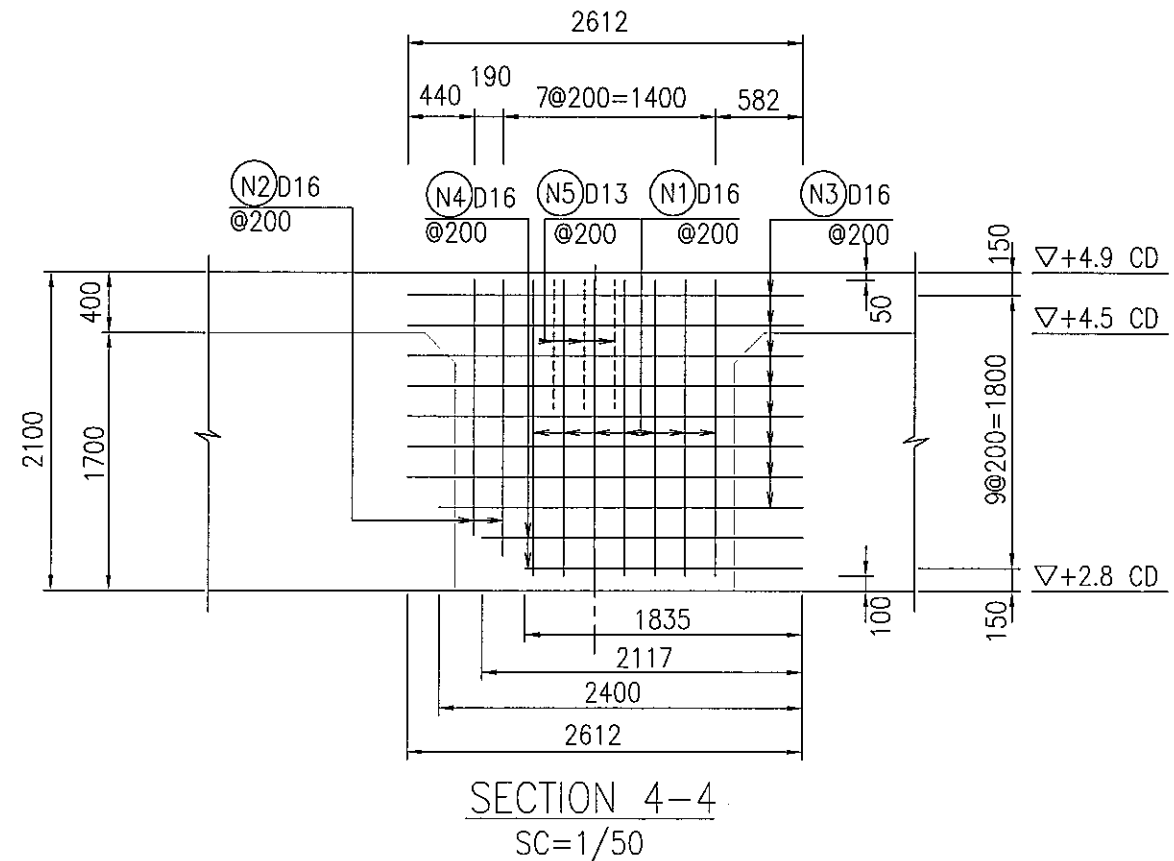
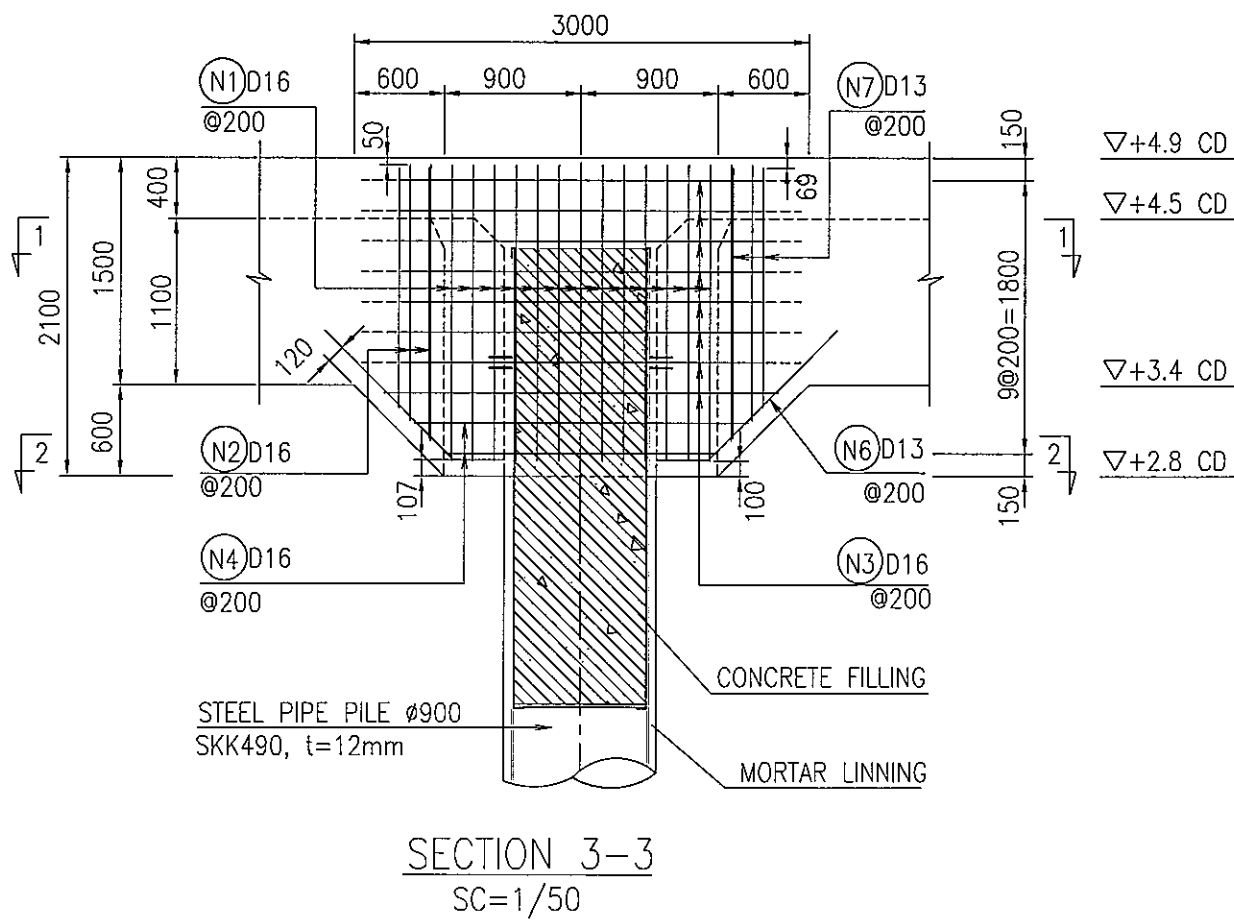
NOTES:

- DIMENSIONS ARE IN MILLIMETRES.
- ELEVATIONS ARE IN METRES - CHART DATUM.

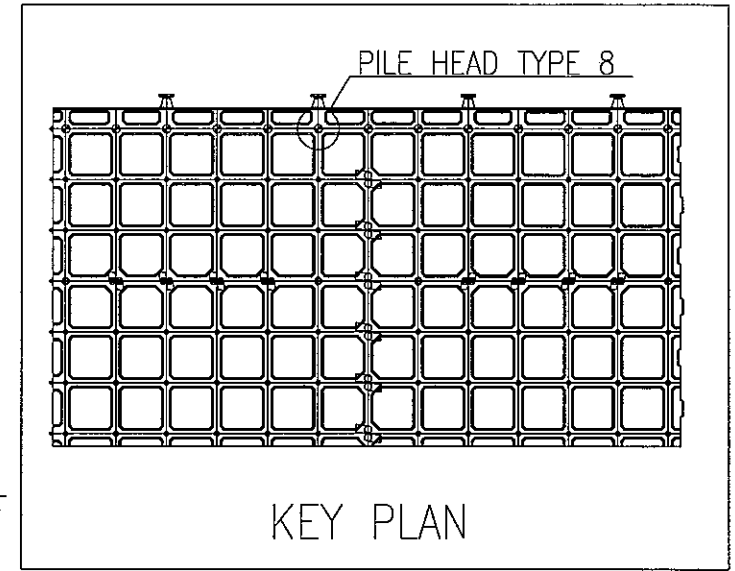
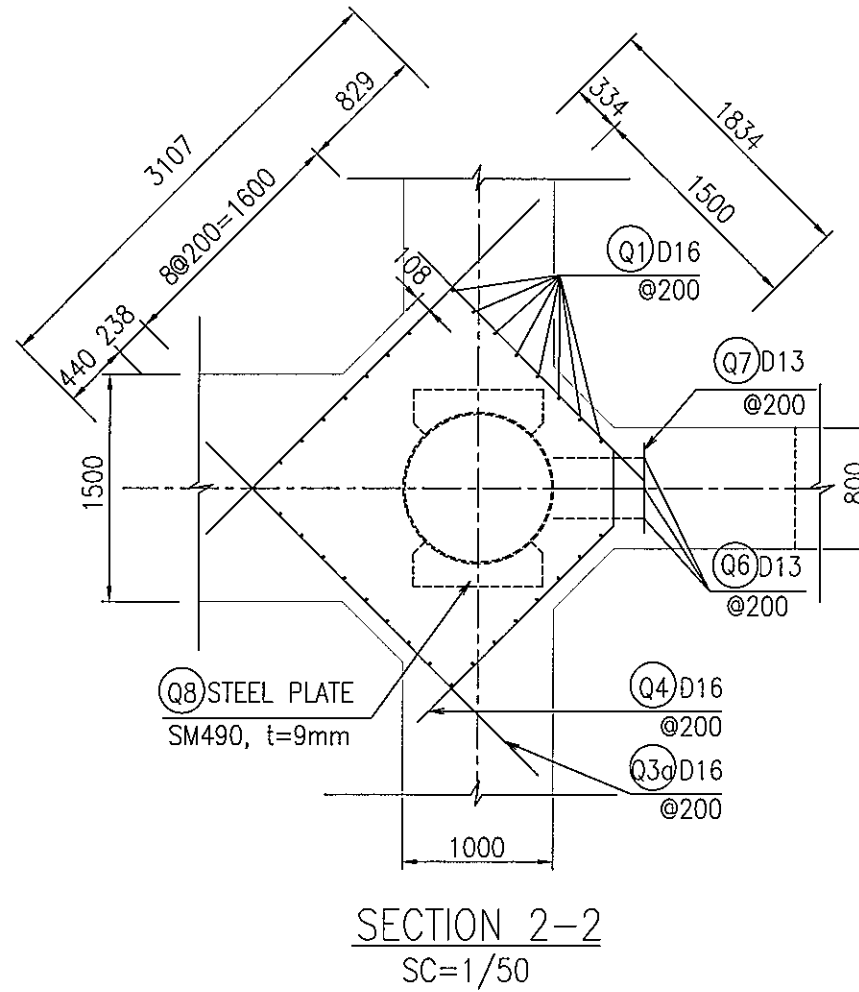
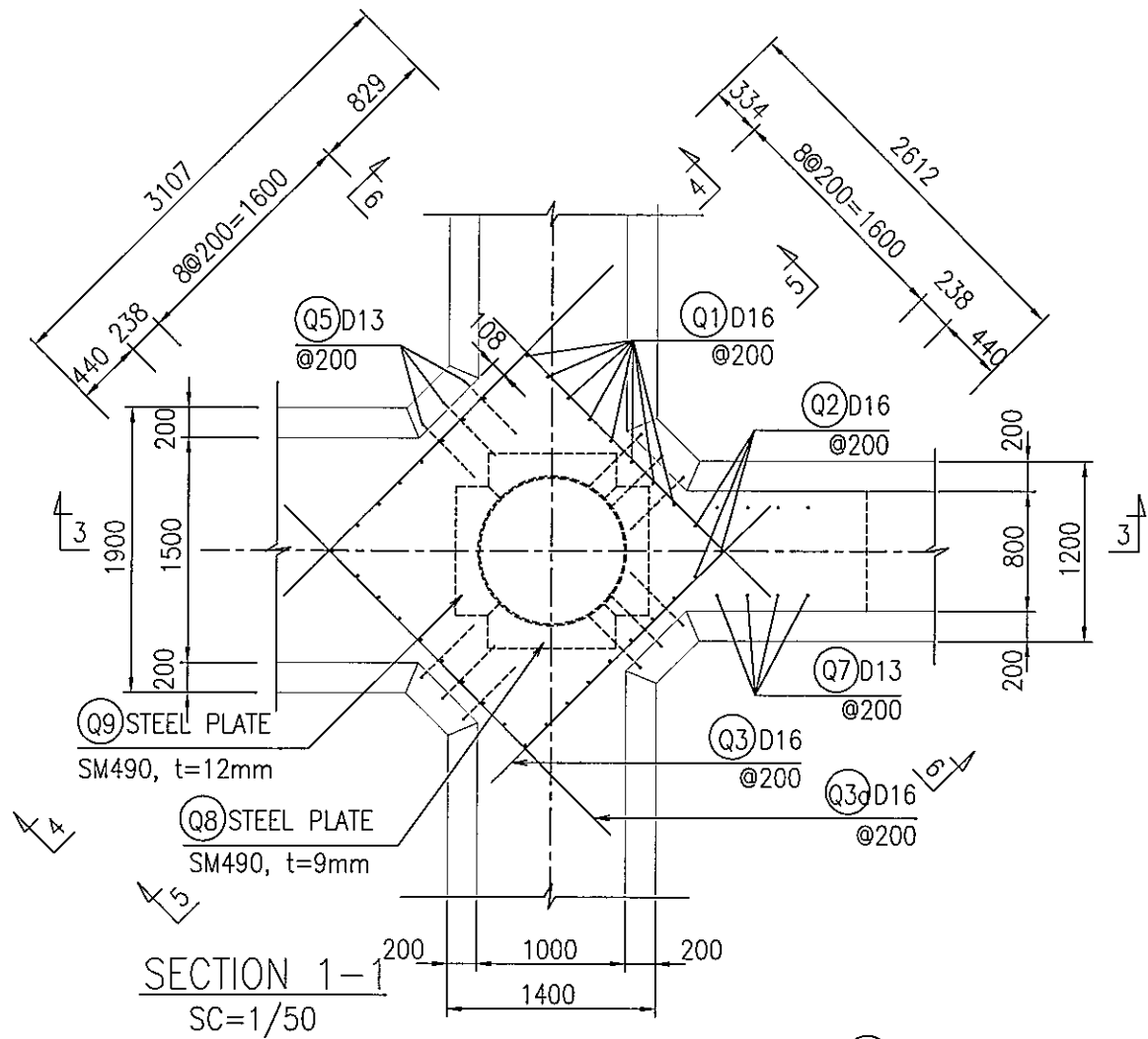
			THE SOCIALIST REPUBLIC OF VIETNAM MINISTRY OF TRANSPORT PROJECT MANAGEMENT UNIT 85		CAI MEP - THI VAI INTERNATIONAL PORT CONSTRUCTION PROJECT		DESIGNED BY: TRAN KHANH HUNG DRAWN BY: VU THI HANG CHECKED BY: YOSHIDA Y. APPROVED BY: NAGAI K. ISSUE DATE: 15/SEP/2005 SCALE: 1/25, 1/50		SECTION: CIVIL WORKS SUB-SECTION: QUAY FACILITY TITLE OF DRAWING: DETAIL OF PILE HEAD TYPE 6 (2)	
			JICA JAPAN INTERNATIONAL COOPERATION AGENCY ASSIGNED TO: JAPAN PORT CONSULTANT (JPC) PACIFIC CONSULTANTS INTERNATIONAL (PCI) INTERNATIONAL DEVELOPMENT SYSTEM (IDS)		PACKAGE 2 CONSTRUCTION OF PORT FACILITIES AND BUILDINGS FOR THI VAI AREA				DWG NO: PAC2-TV-QAF-082 REV. NO	
DESCRIPTION			BY		APP					



NOTES:
 - DIMENSIONS ARE IN MILLIMETRES.
 - ELEVATIONS ARE IN METRES -- CHART DATUM.

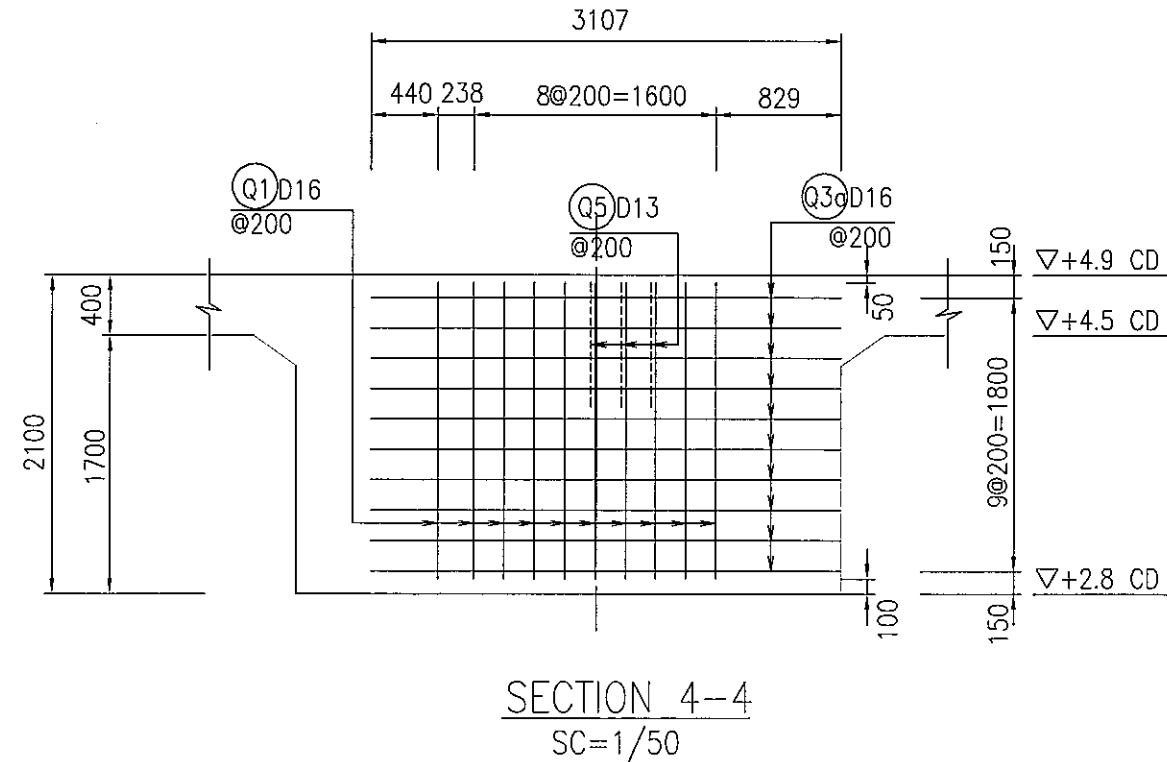
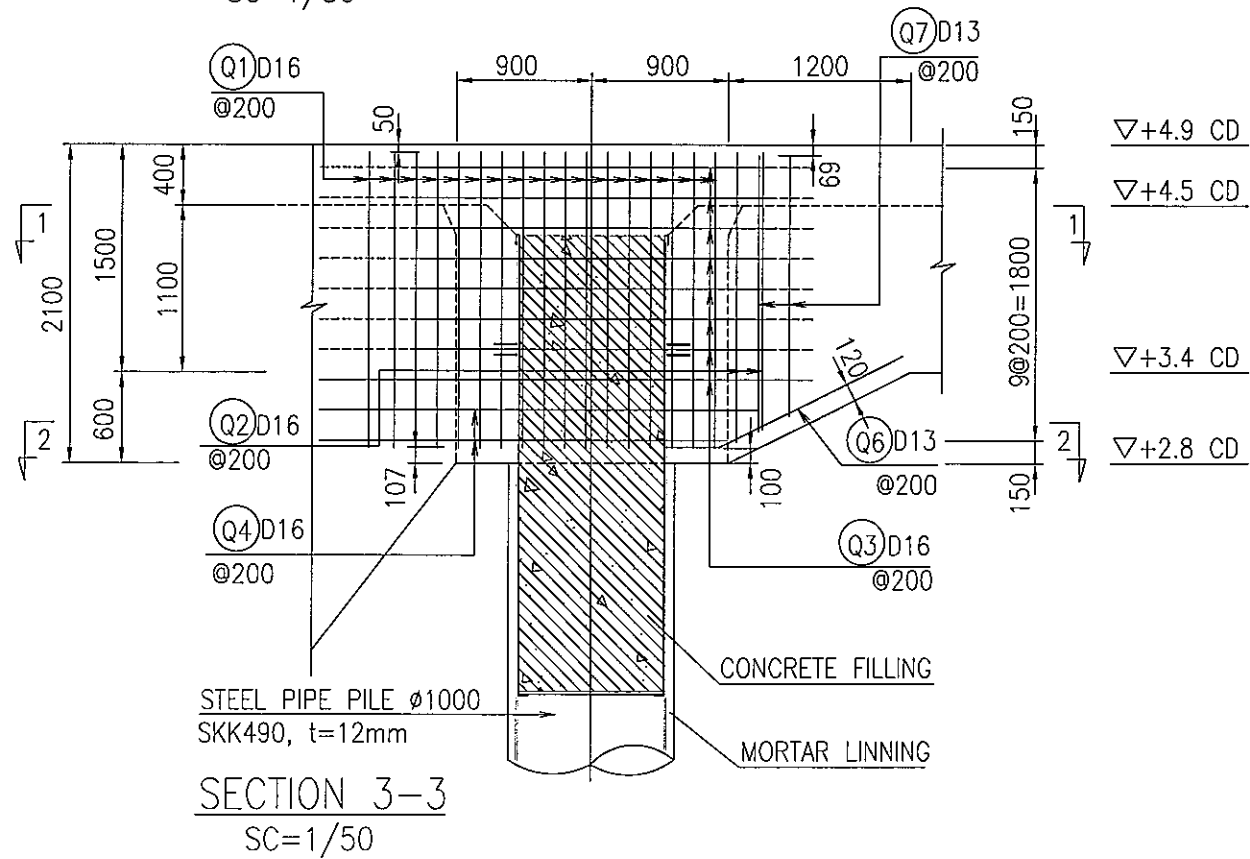


			THE SOCIALIST REPUBLIC OF VIETNAM MINISTRY OF TRANSPORT PROJECT MANAGEMENT UNIT 85		CAI MEP - THI VAI INTERNATIONAL PORT CONSTRUCTION PROJECT		DESIGNED BY: TRAN KHANH HUNG		SECTION: CIVIL WORKS	
			JICA JAPAN INTERNATIONAL COOPERATION AGENCY ASSIGNED TO: JAPAN PORT CONSULTANT (JPC) PACIFIC CONSULTANTS INTERNATIONAL (PCI) INTERNATIONAL DEVELOPMENT SYSTEM (IDS)		PACKAGE 2 CONSTRUCTION OF PORT FACILITIES AND BUILDINGS FOR THI VAI AREA		DRAWN BY: VU THI HANG		SUB-SECTION: QUAY FACILITY	
							CHECKED BY: YOSHIDA Y.		TITLE OF DRAWING: DETAIL OF PILE HEAD TYPE 7 (1)	
							APPROVED BY: NAGAI K.		DWG NO: PAC2-TV-QAF-083	
							ISSUE DATE: 15/SEP/2005		REV. NO	
							SCALE: 1/50			



NOTES:

- DIMENSIONS ARE IN MILLIIMETRES.
- ELEVATIONS ARE IN METRES - CHART DATUM.



THE SOCIALIST REPUBLIC OF VIETNAM
MINISTRY OF TRANSPORT
PROJECT MANAGEMENT UNIT 85

JICA
JAPAN INTERNATIONAL COOPERATION AGENCY
ASSIGNED TO:
JAPAN PORT CONSULTANT (JPC)
PACIFIC CONSULTANTS INTERNATIONAL (PCI)
INTERNATIONAL DEVELOPMENT SYSTEM (IDS)

CAI MEP - THI VAI INTERNATIONAL PORT
CONSTRUCTION PROJECT
PACKAGE 2
CONSTRUCTION OF PORT FACILITIES AND BUILDINGS FOR
THI VAI AREA

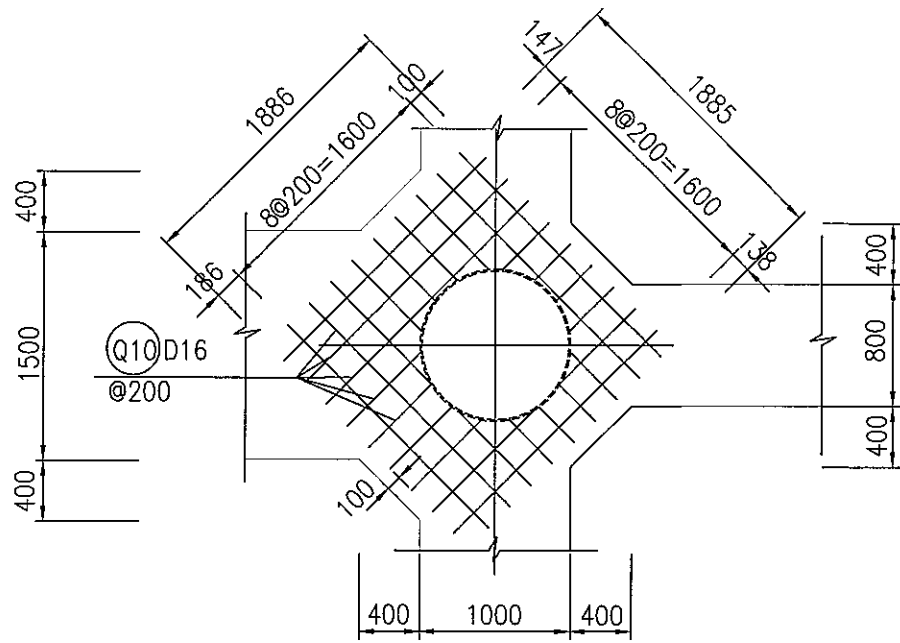
DESIGNED BY:
TRAN KHANH HUNG
DRAWN BY:
VU THI HANG
CHECKED BY:
YOSHIDA Y.
APPROVED BY:
NAGAI K.
ISSUE DATE:
15/SEP/2005
SCALE:
1/50

SECTION:
SUB-SECTION:
TITLE OF DRAWING:

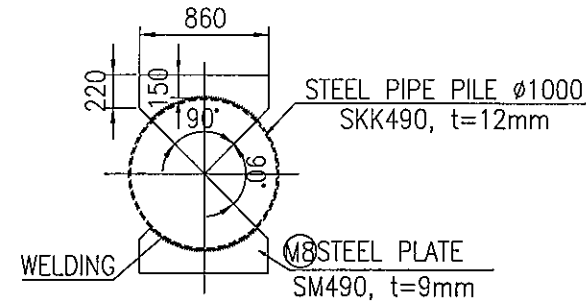
CIVIL WORKS
QUAY FACILITY
DETAIL OF PILE HEAD TYPE 8 (1)

DWG NO:
PAC2-TV-QAF-085

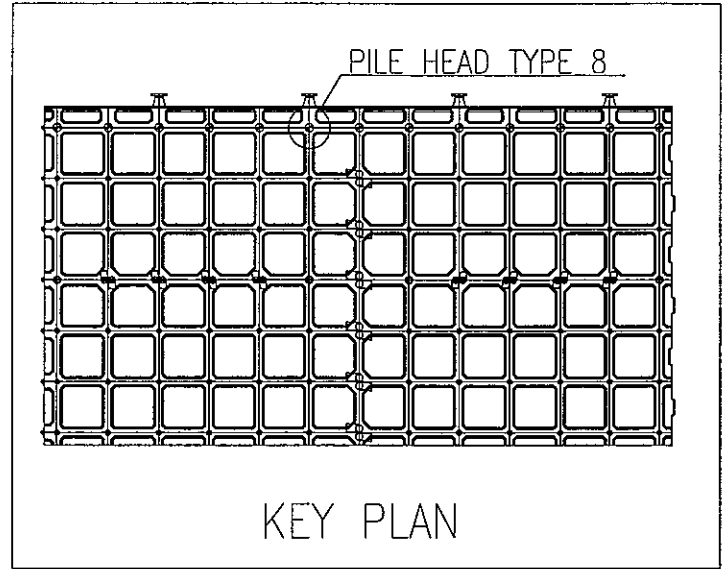
REV. NO



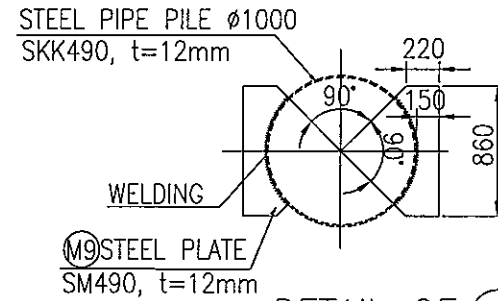
SECTION 7-7
SC=1/50



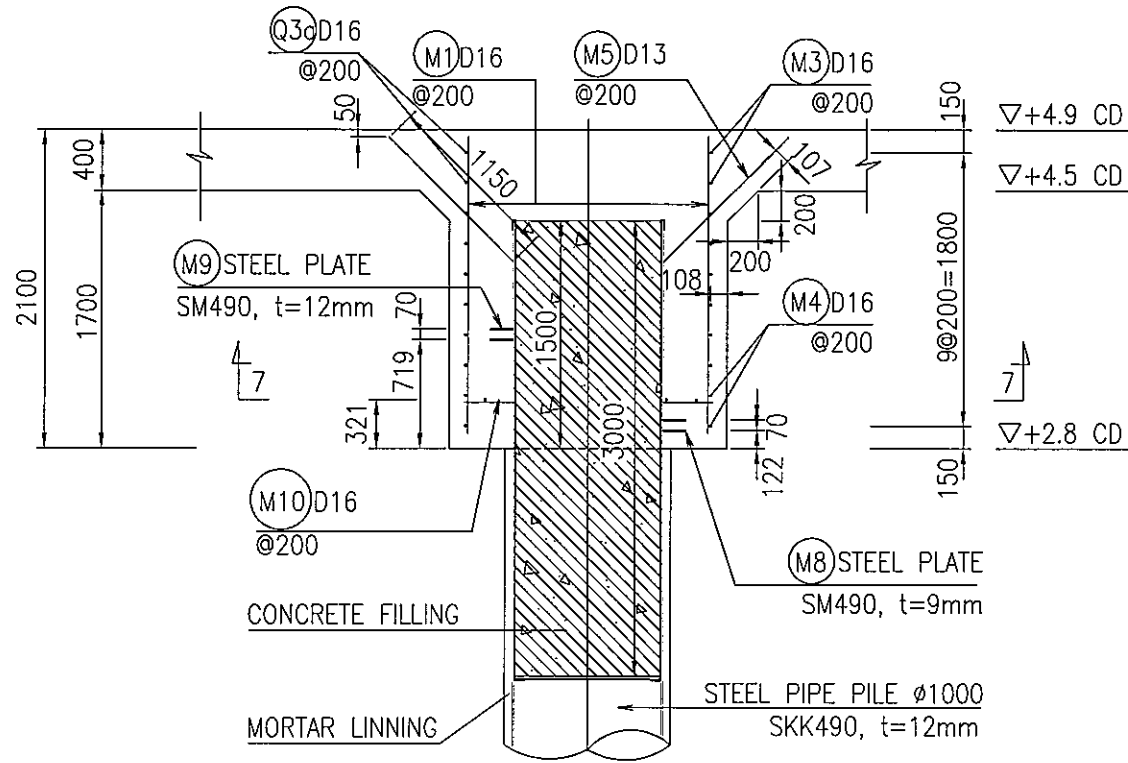
DETAIL OF (M8)
SC=1/50



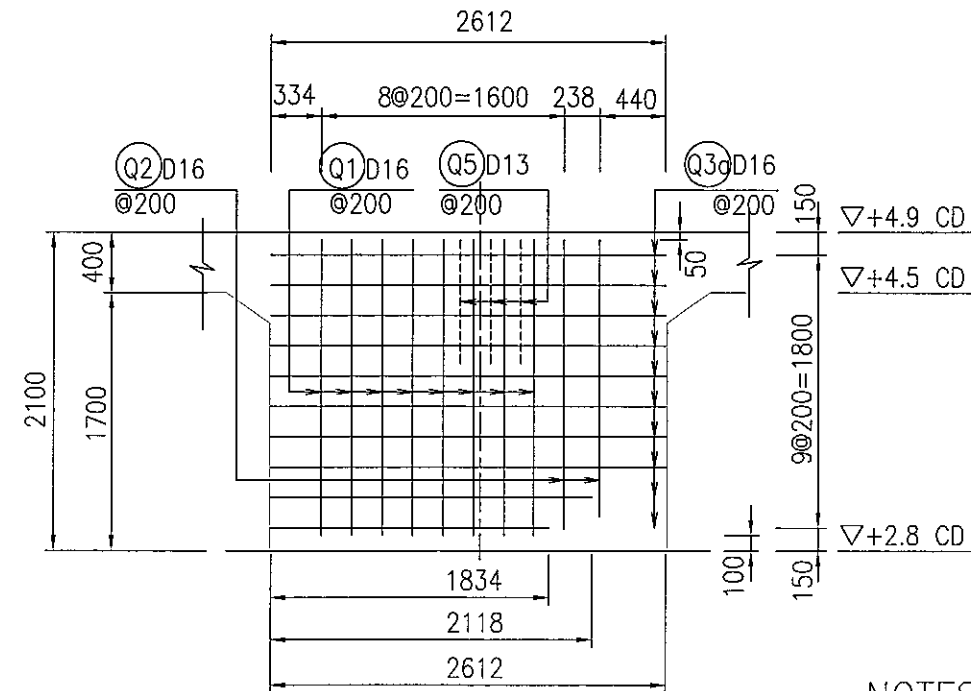
KEY PLAN



DETAIL OF (M9)
SC=1/50



SECTION 5-5
SC=1/50

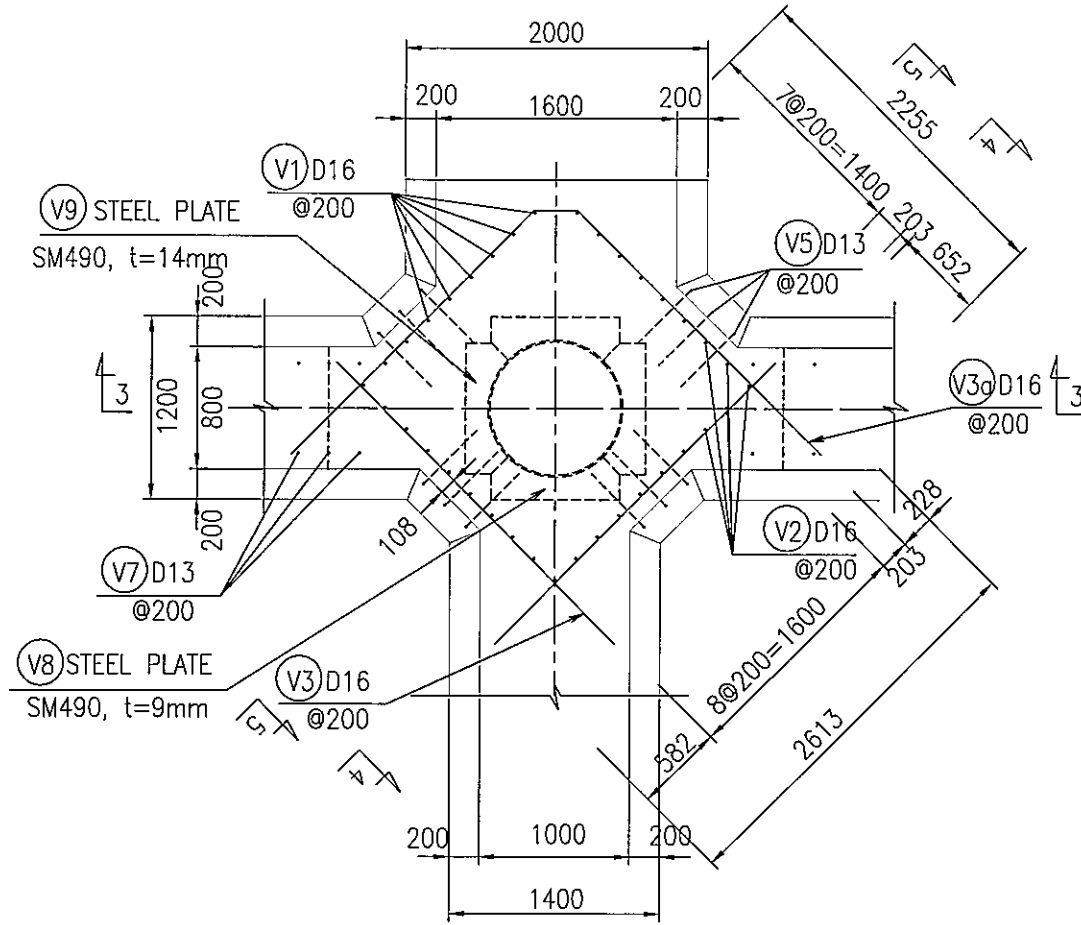


SECTION 6-6
SC=1/50

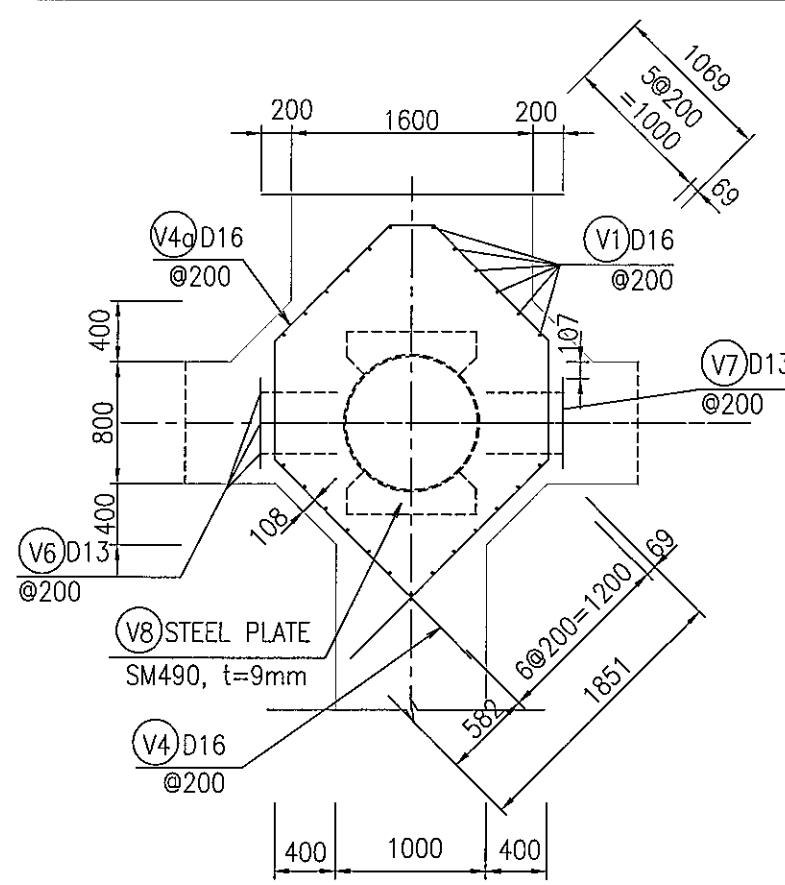
NOTES:

- DIMENSIONS ARE IN MILLIMETRES.
- ELEVATIONS ARE IN METRES - CHART DATUM.

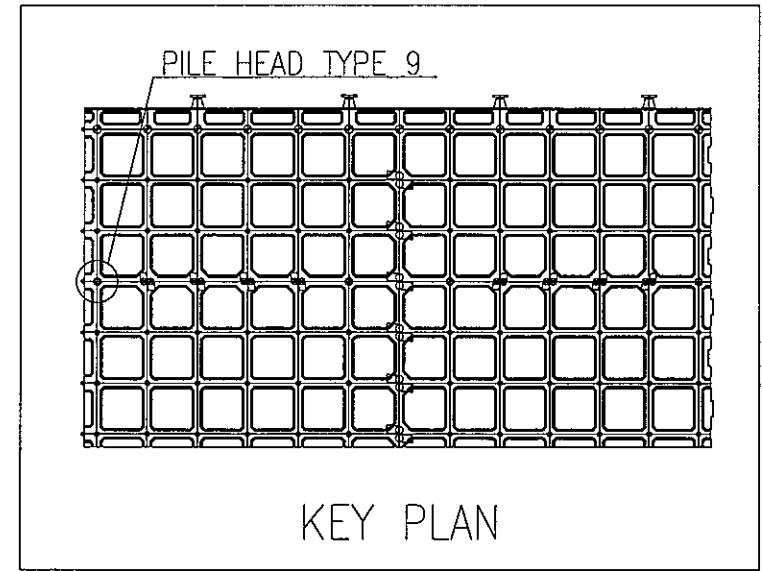
			<p>THE SOCIALIST REPUBLIC OF VIETNAM MINISTRY OF TRANSPORT PROJECT MANAGEMENT UNIT 85</p>		<p>CAI MEP - THI VAI INTERNATIONAL PORT CONSTRUCTION PROJECT</p>		<p>DESIGNED BY: TRAN KHANH HUNG DRAWN BY: VU THI HANG CHECKED BY: YOSHIDA Y. APPROVED BY: NAGAI K. ISSUE DATE: 15/SEP/2005 SCALE: 1/50</p>		<p>SECTION: CIVIL WORKS SUB-SECTION: QUAY FACILITY TITLE OF DRAWING: DETAIL OF PILE HEAD TYPE 8 (2)</p>		
			<p>JICA JAPAN INTERNATIONAL COOPERATION AGENCY ASSIGNED TO: JAPAN PORT CONSULTANT (JPC) PACIFIC CONSULTANTS INTERNATIONAL (PCI) INTERNATIONAL DEVELOPMENT SYSTEM (IDS)</p>		<p>PACKAGE 2 CONSTRUCTION OF PORT FACILITIES AND BUILDINGS FOR THI VAI AREA</p>				<p>DWG NO: PAC2-TV-QAF-086 REV. NO</p>		
DESCRIPTION	BY	APP									



SECTION 1-1
SC=1/50



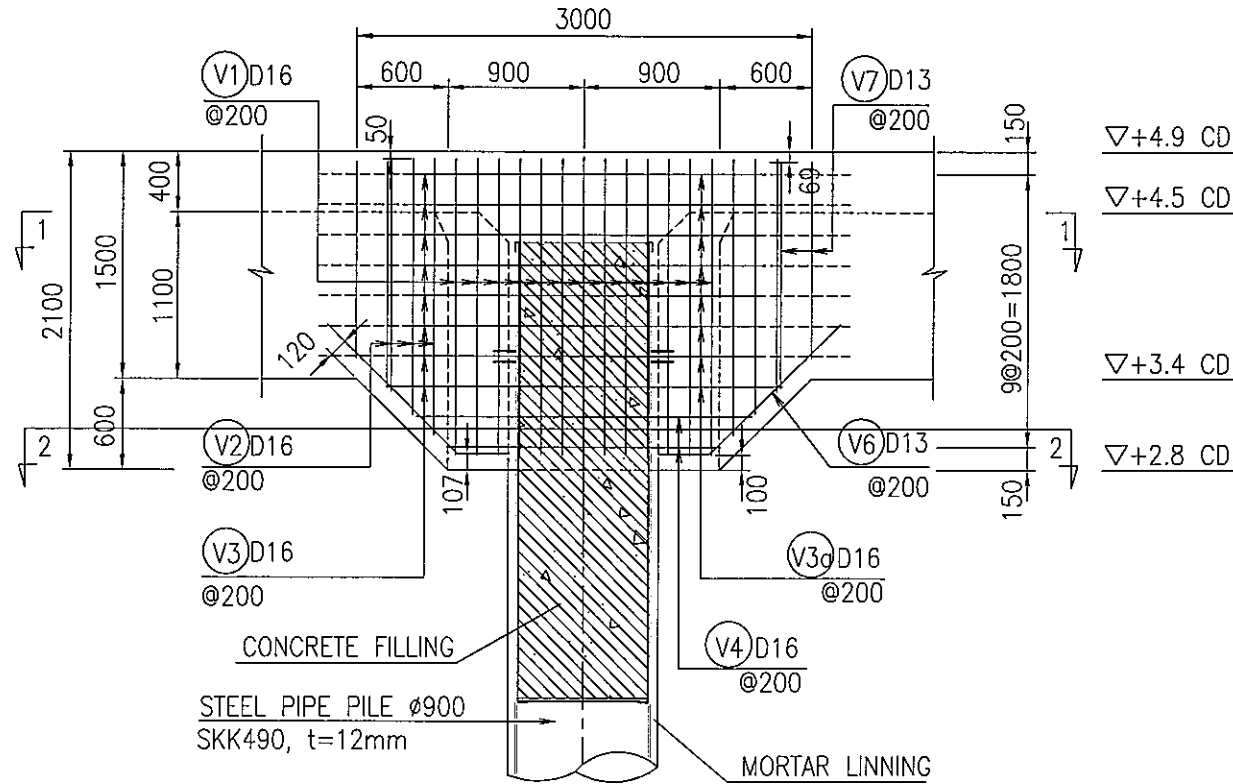
SECTION 2-2
SC=1/50



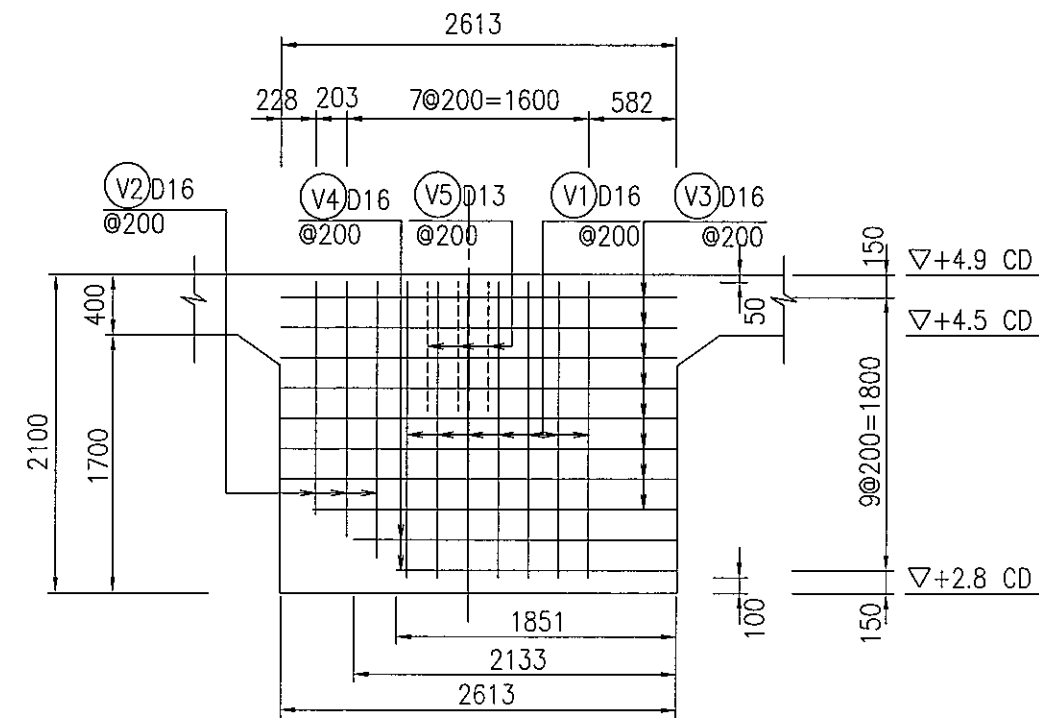
KEY PLAN

NOTES:

- DIMENSIONS ARE IN MILLIMETRES.
- ELEVATIONS ARE IN METRES - CHART DATUM.



SECTION 3-3
SC=1/50



SECTION 4-4
SC=1/50

THE SOCIALIST REPUBLIC OF VIETNAM
MINISTRY OF TRANSPORT
PROJECT MANAGEMENT UNIT 85

JICA
JAPAN INTERNATIONAL COOPERATION AGENCY
ASSIGNED TO:
JAPAN PORT CONSULTANT (JPC)
PACIFIC CONSULTANTS INTERNATIONAL (PCI)
INTERNATIONAL DEVELOPMENT SYSTEM (IDS)

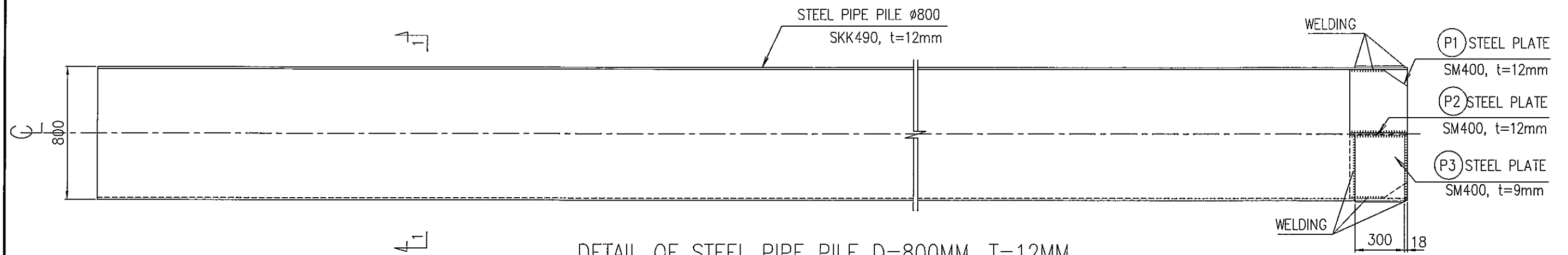
CAI MEP - THI VAI INTERNATIONAL PORT
CONSTRUCTION PROJECT
PACKAGE 2
CONSTRUCTION OF PORT FACILITIES AND BUILDINGS FOR
THI VAI AREA

DESIGNED BY:
YEAN KHANH HUNG
DRAWN BY:
VU THI HANG
CHECKED BY:
YOSHIDA Y.
APPROVED BY:
NAGAI K.
ISSUE DATE:
15/SEP/2005
SCALE:
1/50

SECTION:
SUB-SECTION:
TITLE OF DRAWING:

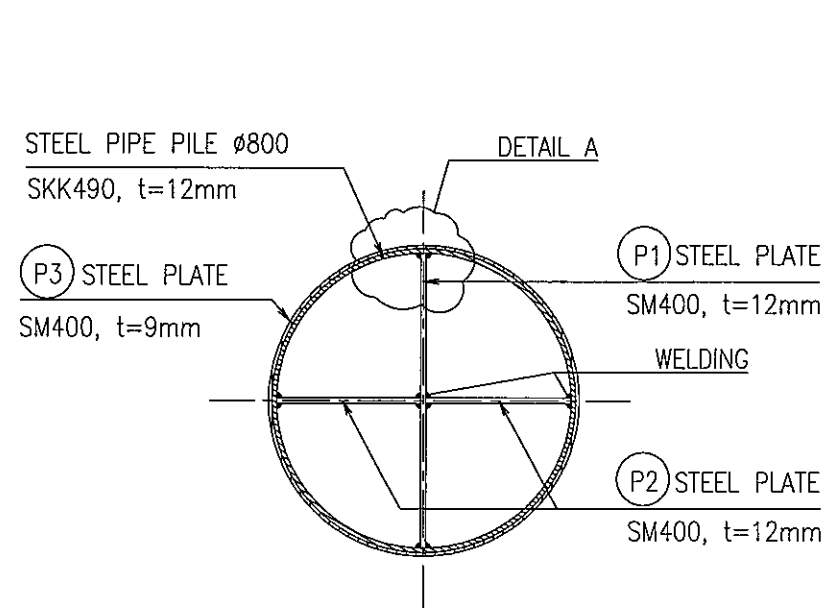
CIVIL WORKS
QUAY FACILITY
DETAIL OF PILE HEAD TYPE 9 (1)
DWG NO:
PAC2-TV-QAF-087
REV. NO

DESCRIPTION BY APP



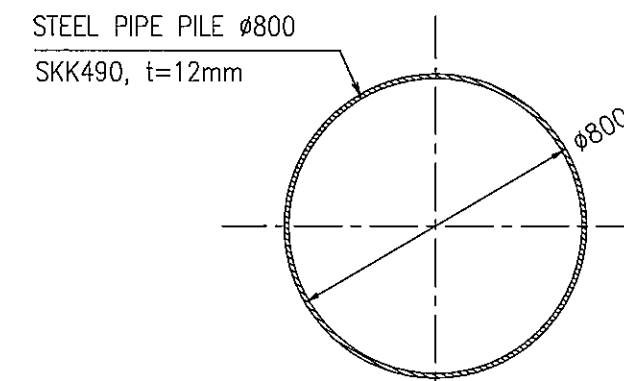
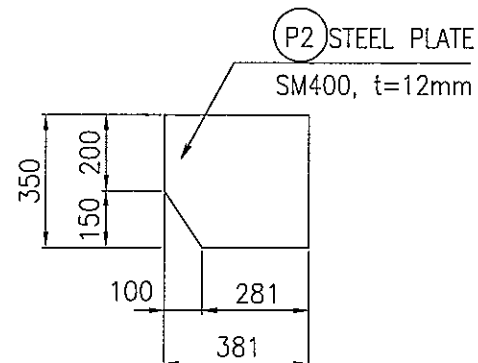
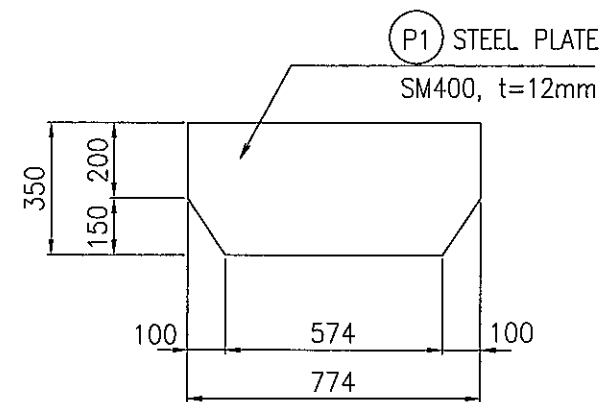
DETAIL OF STEEL PIPE PILE D=800MM, T=12MM

SC=1/25



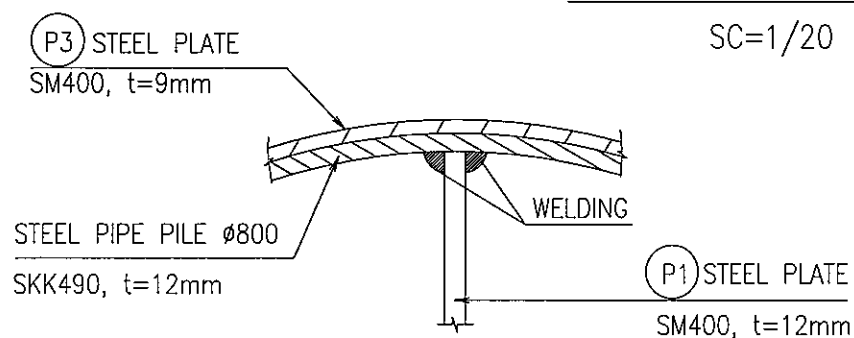
DETAIL OF PILE SHOE

SC=1/20



SECTION 1-1

SC=1/20



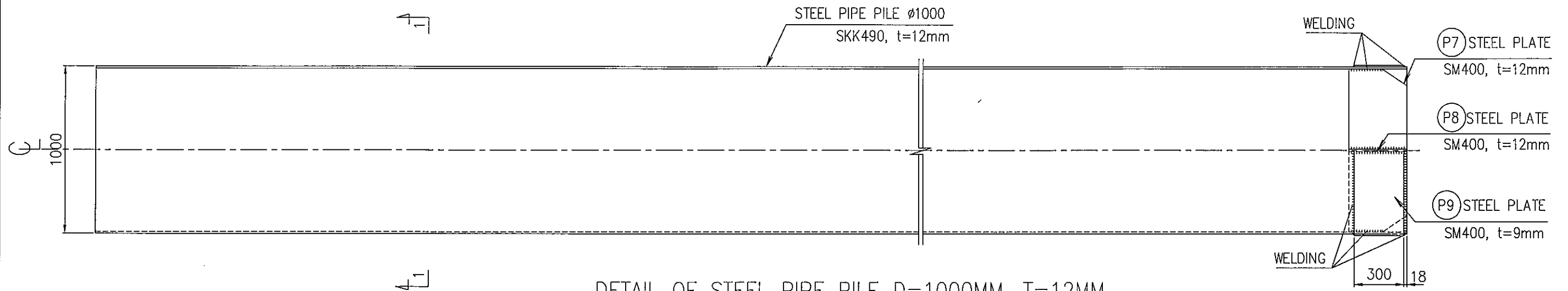
DETAIL OF A

SC=1/5

NOTES:

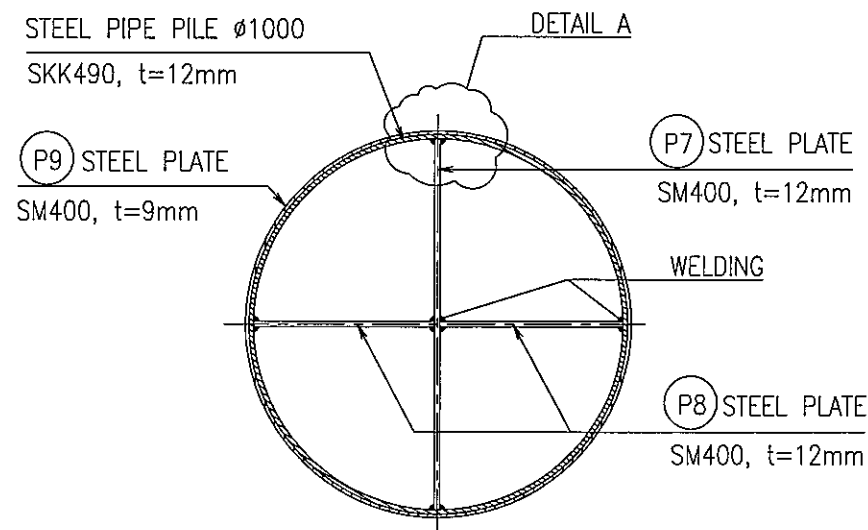
- DIMENSIONS ARE IN MILLIIMETRES.
- ELEVATIONS ARE IN METRES - CHART DATUM.
- PILE LENGTHS ARE PROBABLE LENGTHS BASED ON THE DESIGN AND ARE FOR ESTIMATION ONLY.

			THE SOCIALIST REPUBLIC OF VIETNAM MINISTRY OF TRANSPORT PROJECT MANAGEMENT UNIT 85		CAI MEP - THI VAI INTERNATIONAL PORT CONSTRUCTION PROJECT		DESIGNED BY: TRAN KHANH HUNG		SECTION: CIVIL WORKS	
					PACKAGE 2 CONSTRUCTION OF PORT FACILITIES AND BUILDINGS FOR THI VAI AREA		DRAWN BY: VU THI HANG		SUB-SECTION: QUAY FACILITY	
			JAPAN INTERNATIONAL COOPERATION AGENCY ASSIGNED TO: JAPAN PORT CONSULTANT (JPC) PACIFIC CONSULTANTS INTERNATIONAL (PCI) INTERNATIONAL DEVELOPMENT SYSTEM (IDS)				CHECKED BY: YOSHIDA Y.		TITLE OF DRAWING: DETAIL OF STEEL PIPE PILE D=800MM, T=12MM	
DESCRIPTION			BY		APP		APPROVED BY: NAGAI K.		DWG NO: PAC2-TV-QAF-089	
							ISSUE DATE: 15/SEP/2005		REV. NO	
							SCALE: 1/5, 1/20, 1/25			



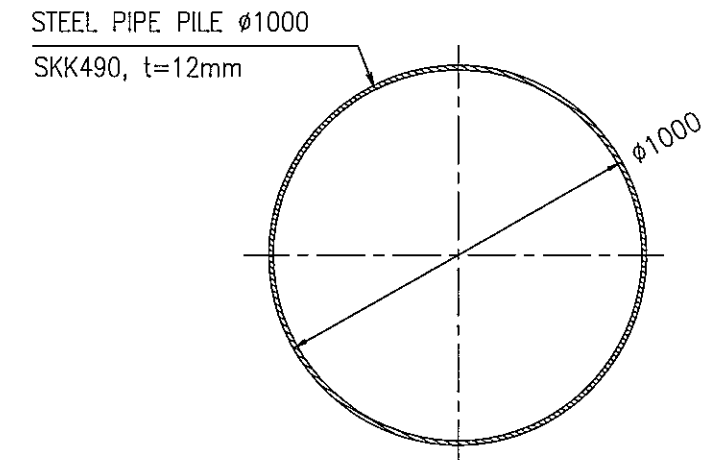
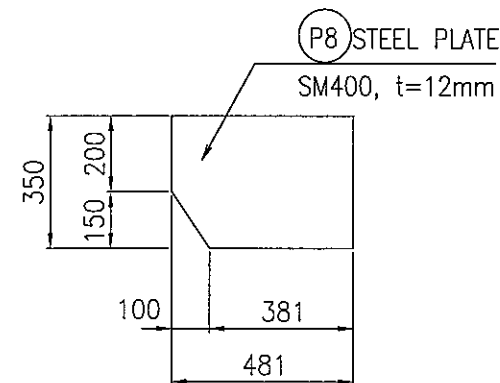
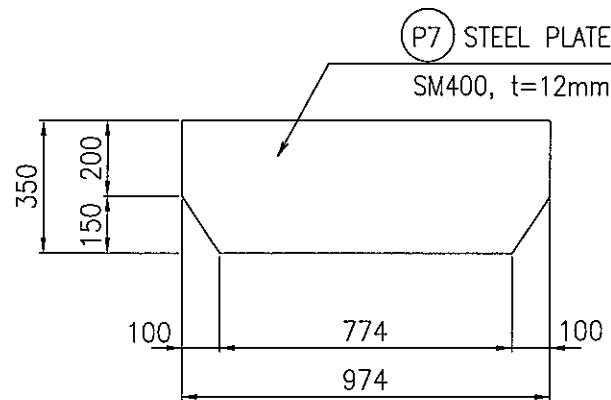
DETAIL OF STEEL PIPE PILE D=1000MM, T=12MM

SC=1/25



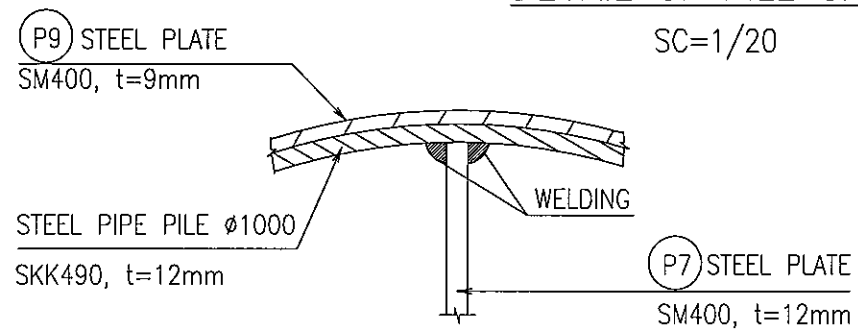
DETAIL OF PILE SHOE

SC=1/20



SECTION 1-1

SC=1/20



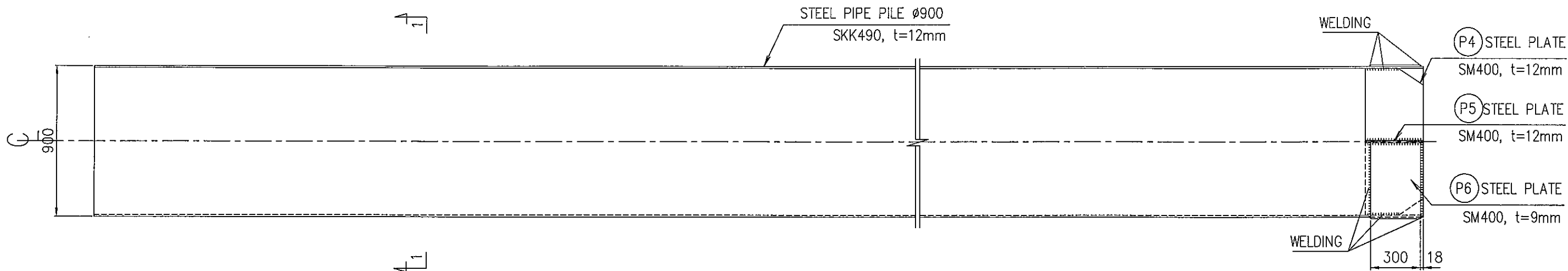
DETAIL OF A

SC=1/5

NOTES:

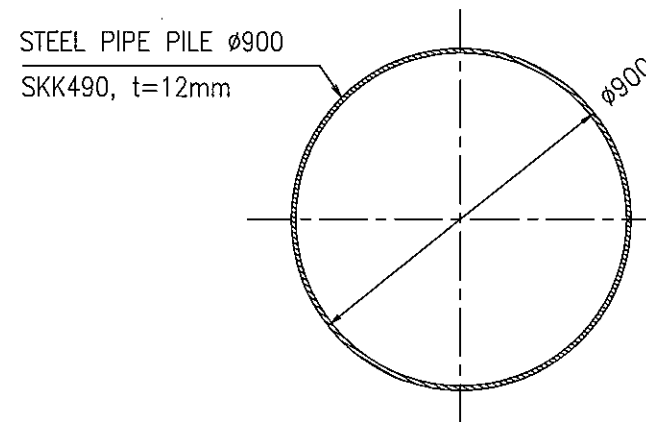
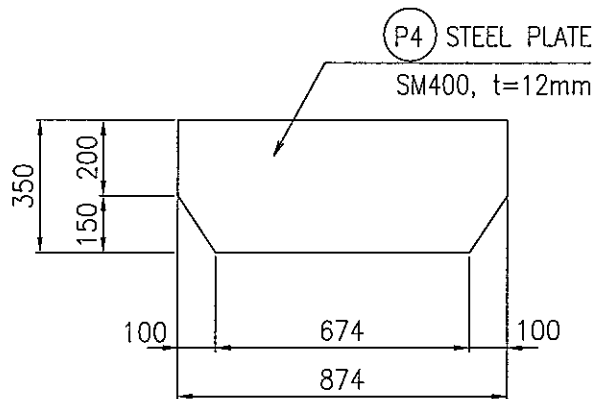
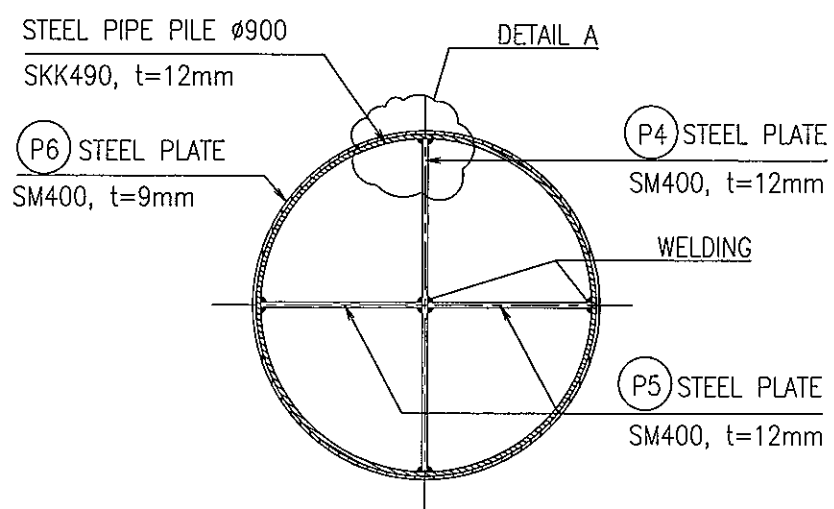
- DIMENSIONS ARE IN MILLIMETRES.
- ELEVATIONS ARE IN METRES - CHART DATUM.
- PILE LENGTHS ARE PROBABLE LENGTHS BASED ON THE DESIGN AND ARE FOR ESTIMATION ONLY.

			THE SOCIALIST REPUBLIC OF VIETNAM MINISTRY OF TRANSPORT PROJECT MANAGEMENT UNIT 85		CAI MEP - THI VAI INTERNATIONAL PORT CONSTRUCTION PROJECT		DESIGNED BY: TRAN KHANH HUNG DRAWN BY: VU THI HANG CHECKED BY: YOSHIDA Y. APPROVED BY: NAGAI K. ISSUE DATE: 15/SEP/2005 SCALE: 1/5, 1/20, 1/25		SECTION: CIVIL WORKS SUB-SECTION: QUAY FACILITY TITLE OF DRAWING: DETAIL OF STEEL PIPE PILE D=1000MM,T=12MM DWG NO: PAC2-TV-QAF-090		REV. NO
DESCRIPTION			JICA JAPAN INTERNATIONAL COOPERATION AGENCY ASSIGNED TO: JAPAN PORT CONSULTANT (JPC) PACIFIC CONSULTANTS INTERNATIONAL (PCI) INTERNATIONAL DEVELOPMENT SYSTEM (IDS)		PACKAGE 2 CONSTRUCTION OF PORT FACILITIES AND BUILDINGS FOR THI VAI AREA						
	BY	APP									



DETAIL OF STEEL PIPE PILE D=900MM, T=12MM

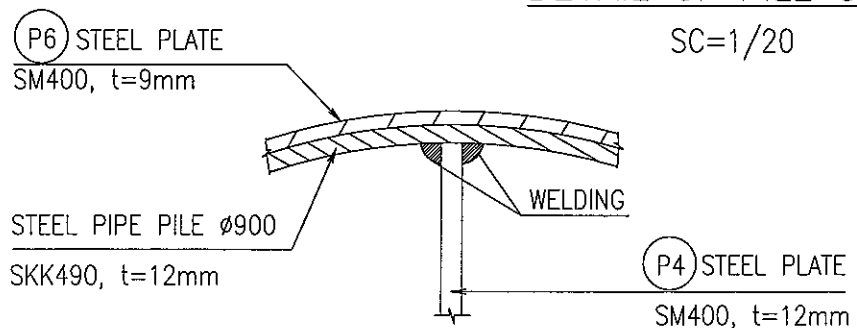
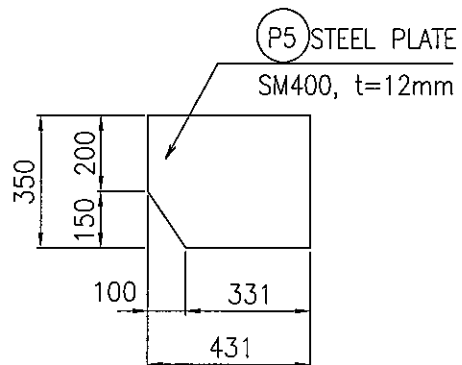
SC=1/25



SECTION 1-1
SC=1/20

DETAIL OF PILE SHOE

SC=1/20



DETAIL OF A

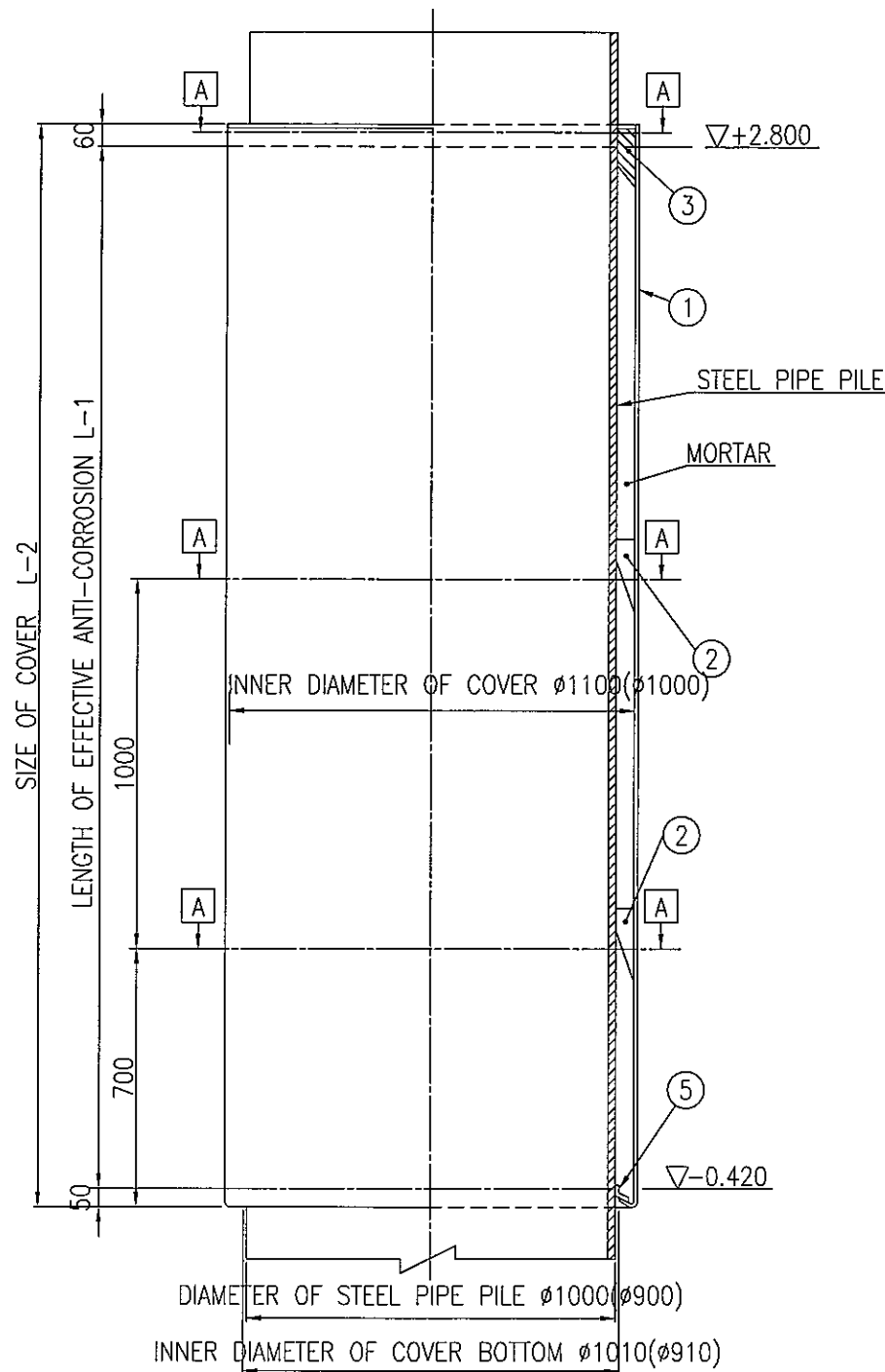
SC=1/5

NOTES:

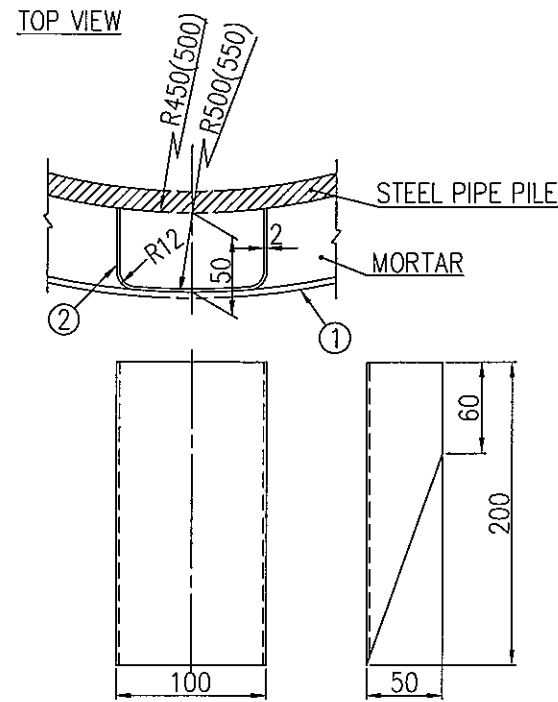
- DIMENSIONS ARE IN MILLIMETRES.
- ELEVATIONS ARE IN METRES - CHART DATUM.
- PILE LENGTHS ARE PROBABLE LENGTHS BASED ON THE DESIGN AND ARE FOR ESTIMATION ONLY.

		THE SOCIALIST REPUBLIC OF VIETNAM MINISTRY OF TRANSPORT PROJECT MANAGEMENT UNIT 85		CAI MEP - THI VAI INTERNATIONAL PORT CONSTRUCTION PROJECT		DESIGNED BY: TRAN KHANH HUNG DRAWN BY: VU THI HANG CHECKED BY: YOSHIDA Y. APPROVED BY: NAGAI K. ISSUE DATE: 15/SEP/2005 SCALE: 1/5, 1/20, 1/25		SECTION: CIVIL WORKS SUB-SECTION: QUAY FACILITY TITLE OF DRAWING: DETAIL OF STEEL PIPE PILE D=900MM,T=12MM	
		JICA JAPAN INTERNATIONAL COOPERATION AGENCY ASSIGNED TO: JAPAN PORT CONSULTANT (JPC) PACIFIC CONSULTANTS INTERNATIONAL (PCI) INTERNATIONAL DEVELOPMENT SYSTEM (IDS)		PACKAGE 2 CONSTRUCTION OF PORT FACILITIES AND BUILDINGS FOR THI VAI AREA		DWG NO: PAC2-TV-QAF-091		REV. NO	
DESCRIPTION	BY	APP							

DETAILED CROSS-SECTIONAL VIEW OF F.R.P. COVER SC=1/20

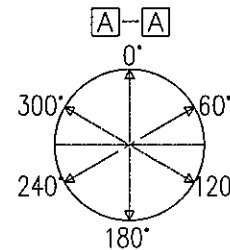


② DETAILS OF F.R.P. SPACER SC=1/5

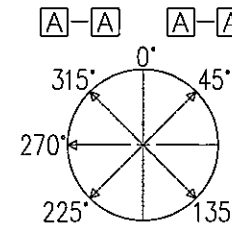


F.R.P.SPACER IS FASTENED TO THE MAIN BODY COVER WITH F.R.P.OVERLAY.

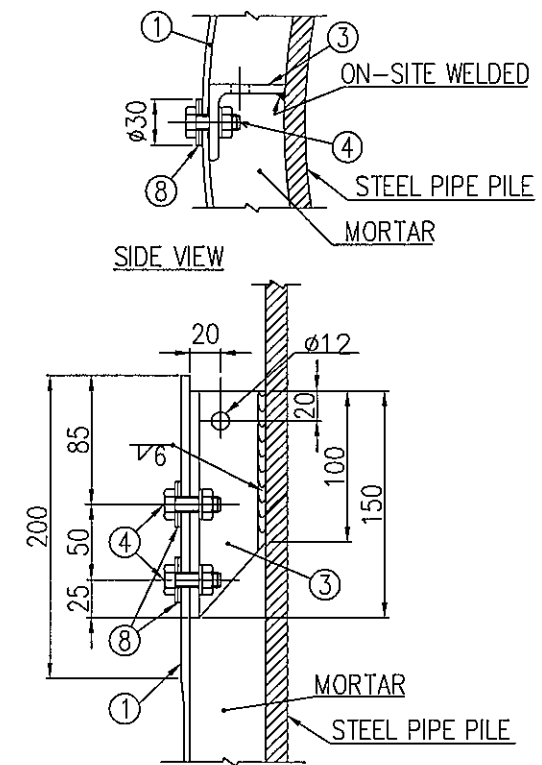
LOCATION OF UPPER WELDING FIXTURES



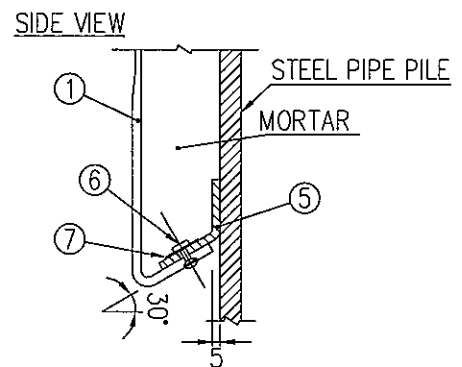
LOCATION OF F.R.P.SPACERS



③ DETAILS OF UPPER WELDING FIXTURES SC=1/5



⑤ DETAILS OF MORTAR SUPPORTER SC=1/5

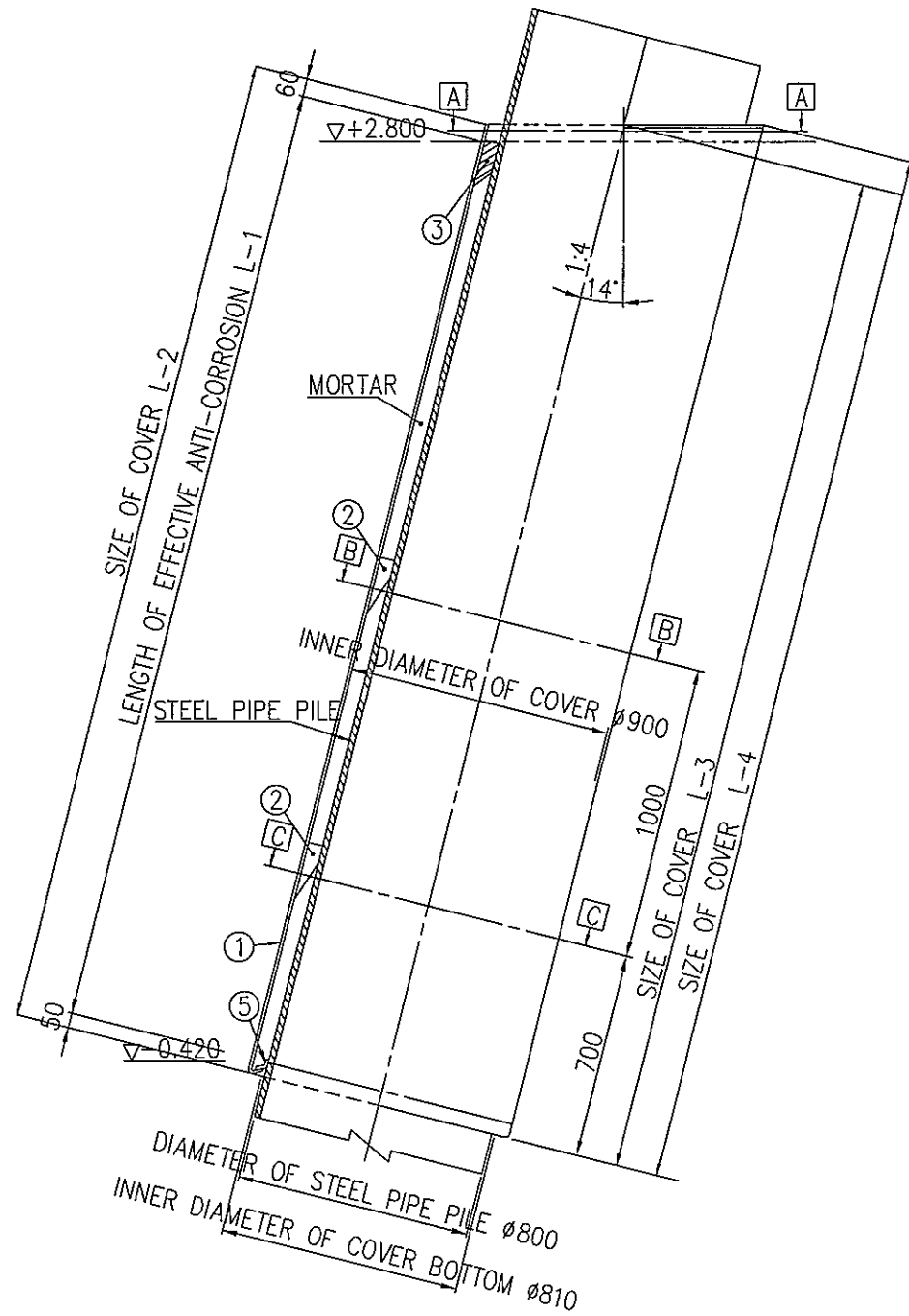


CLASS	TYPE	PILE MOUNTING ANGLE	OUTER DIAMETER OF STEEL PIPE PILE (M/M)	UPPER END MOUNTING LEVEL (M)	LOWER END MOUNTING LEVEL (M)	INNER DIAMETER	L-1	L-2
			1000	+2.800	-0.420	1100	3220	3330
			900	+2.800	-0.420	1000	3220	3330

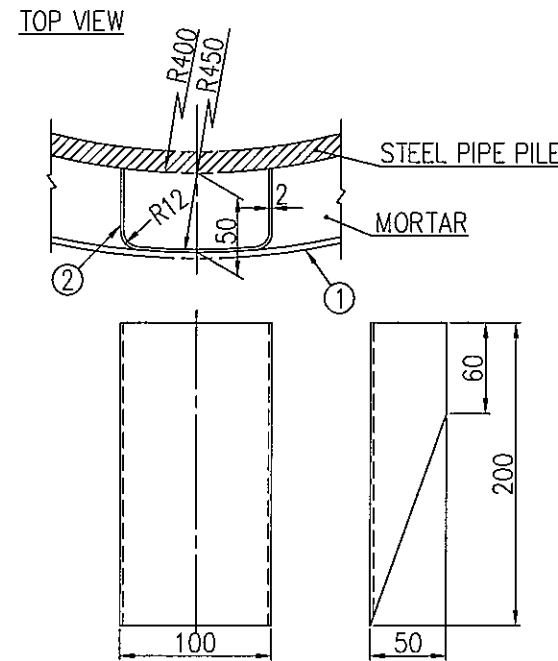
NO.	NAME	MATERIAL	QUANTITY	SYMBOL	REMARKS
8	RUBBER PACKING FOR UPPER FIXTURE	RUBBER	12	PCS	T=2M/M
7	WASHER ON MORTAR SUPPORTER	UNI-CHROME	22(20)	PCS	ø25Xø5XT1
6	STAINLESS STEEL RIVET	SUS304	22(20)	PCS	
5	MORTAR SUPPORTER	RUBBER	1	PCS	T=5M/M
4	BOLT FOR UPPER FIXTURE	SUS304	12	PCS	M10X30?B.N.2W?
3	UPPER FIXTURE	SS400	6	PCS	L-50X50XT6XL150
2	F.R.P.SPACER	F.R.P.	8	PCS	
1	F.R.P.COVER	F.R.P.	1	PCS	

<p>THE SOCIALIST REPUBLIC OF VIETNAM MINISTRY OF TRANSPORT PROJECT MANAGEMENT UNIT 85</p>				<p>CAI MEP - THI VAI INTERNATIONAL PORT CONSTRUCTION PROJECT</p>				<p>DESIGNED BY: TRAN KHANH HUNG DRAWN BY: VU THI HANG CHECKED BY: YOSHIDA Y. APPROVED BY: NAGAI K. ISSUE DATE: 15/SEP/2005 SCALE: 1/20, 1/5</p>		<p>SECTION: CIVIL WORKS SUB-SECTION: QUAY FACILITIES TITLE OF DRAWING: DETAIL OF F.R.P. COVER (FOR STEEL PIPE PIPE) [1] DWG NO: PAC2-TV-QAF-092 REV. NO</p>	
<p>JICA JAPAN INTERNATIONAL COOPERATION AGENCY ASSIGNED TO: JAPAN PORT CONSULTANT (JPC) PACIFIC CONSULTANTS INTERNATIONAL (PCI) INTERNATIONAL DEVELOPMENT SYSTEM (IDS)</p>				<p>PACKAGE 2 CONSTRUCTION OF PORT FACILITIES AND BUILDINGS FOR THI VAI AREA</p>							
REV NO	DATE	DESCRIPTION	BY	APP							

DETAILED CROSS-SECTIONAL VIEW OF F.R.P. COVER SC=1/25

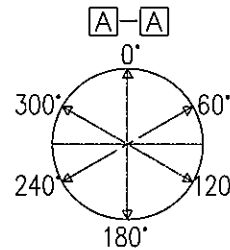


② DETAILS OF F.R.P. SPACER SC=1/5

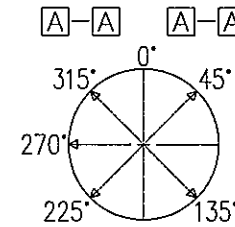


F.R.P.SPACER IS FASTENED TO THE MAIN BODY COVER WITH F.R.P.OVERLAY.

LOCATION OF UPPER WELDING FIXTURES

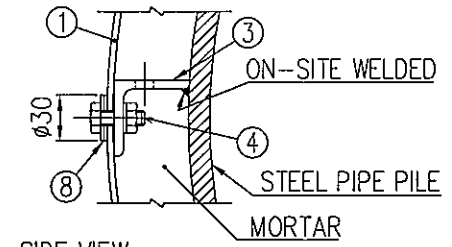


LOCATION OF F.R.P.SPACERS

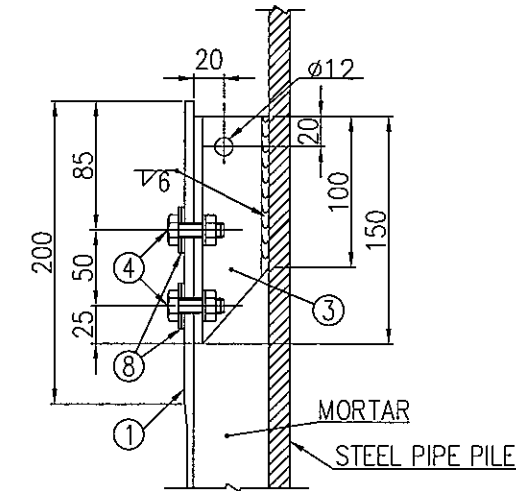


③ DETAILS OF UPPER WELDING FIXTURES SC=1/5

TOP VIEW

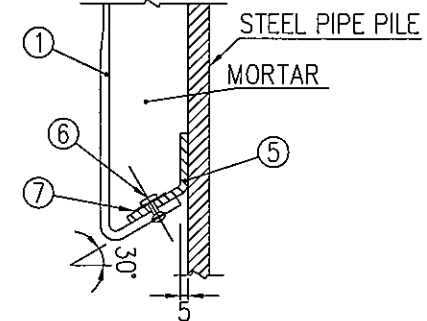


SIDE VIEW



⑤ DETAILS OF MORTAR SUPPORTER SC=1/5

SIDE VIEW

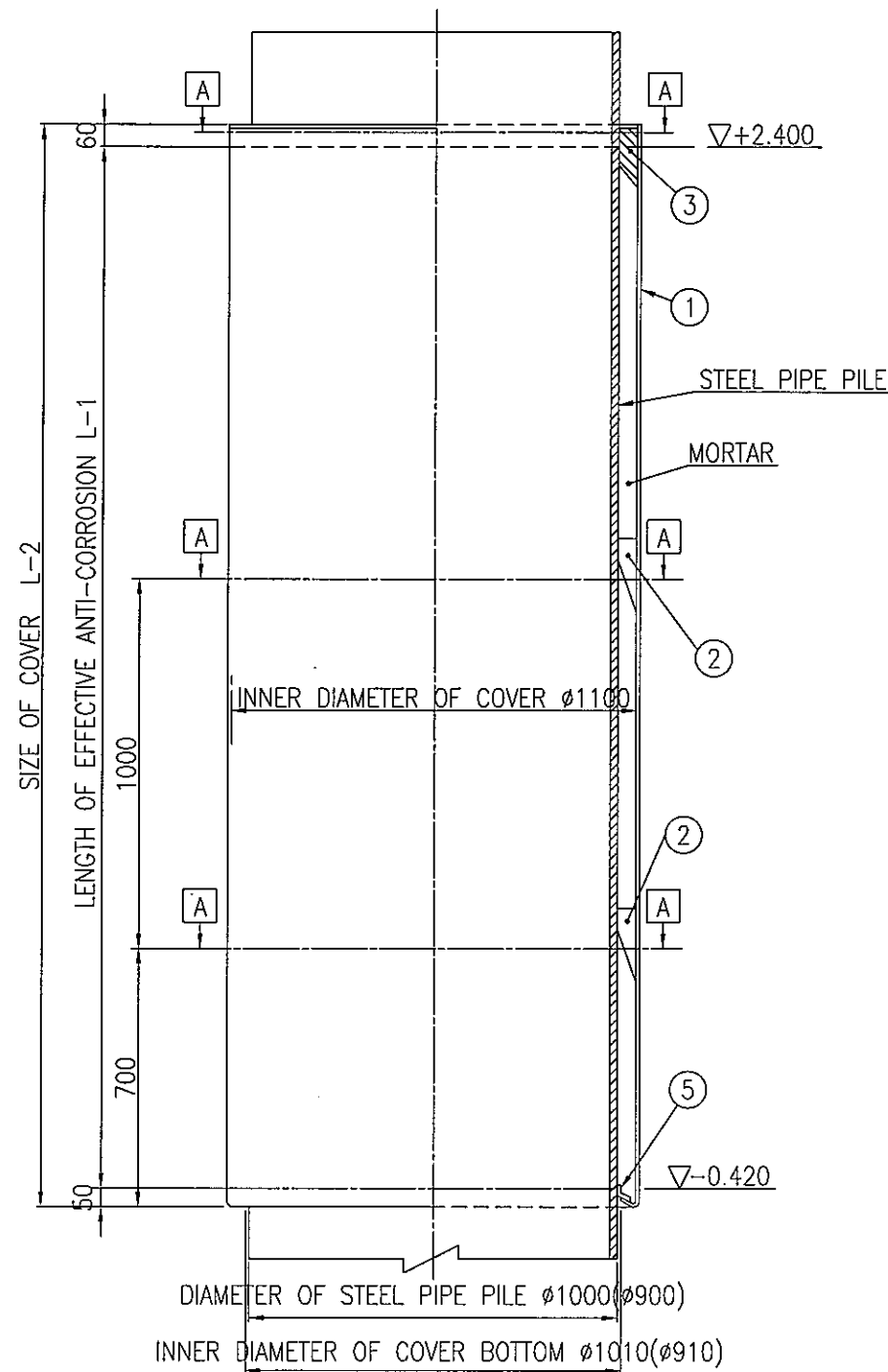


NO.	NAME	MATERIAL	QUANTITY	SYMBOL	REMARKS
8	RUBBER PACKING FOR UPPER FIXTURE	RUBBER	12	PCS	T=2M/M
7	WASHER ON MORTAR SUPPORTER	UNI-CHROME	18	PCS	Ø25XØ5XT1
6	STAINLESS STEEL RIVET	SUS304	18	PCS	
5	MORTAR SUPPORTER	RUBBER	1	PCS	T=5M/M
4	BOLT FOR UPPER FIXTURE	SUS304	12	PCS	M10X30(B.N.2W)
3	UPPER FIXTURE	SS400	6	PCS	L-50X50XT6XL150
2	F.R.P.SPACER	F.R.P.	10	PCS	
1	F.R.P.COVER	F.R.P.	1	PCS	

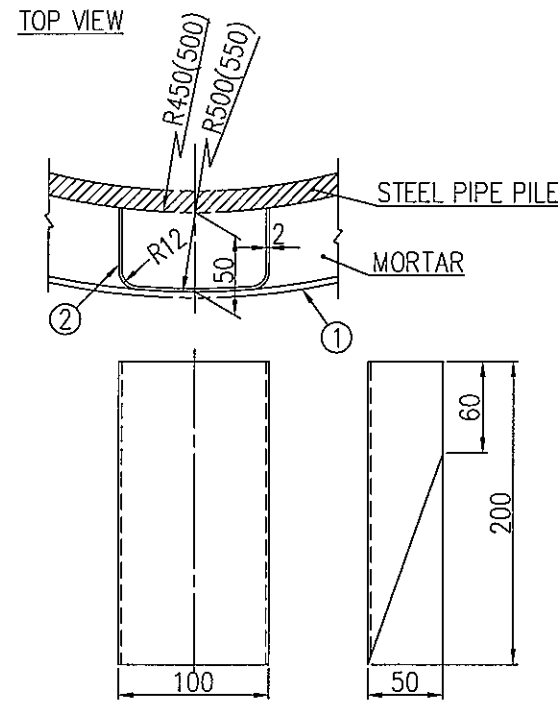
CLASS	TYPE	PILE MOUNTING ANGLE	OUTER DIAMETER OF STEEL PIPE PILE (M/M)	UPPER END MOUNTING LEVEL (M)	LOWER END MOUNTING LEVEL (M)	INNER DIAMETER	L-1	L-2	L-3	L-4
		1:4	800	+2.800	-0.420	900	3319	3429	3542	3654

<p>THE SOCIALIST REPUBLIC OF VIETNAM MINISTRY OF TRANSPORT PROJECT MANAGEMENT UNIT 85</p>		<p>CAI MEP - THI VAI INTERNATIONAL PORT CONSTRUCTION PROJECT</p>		<p>DESIGNED BY: TRAN KHANH HUNG DRAWN BY: VU THI HANG CHECKED BY: YOSHIDAY. APPROVED BY: NAGAI K. ISSUE DATE: 15/SEP/2005 SCALE: 1/25, 1/5</p>		<p>SECTION: CIVIL WORKS SUB-SECTION: QUAY FACILITIES TITLE OF DRAWING: DETAIL OF F.R.P. COVER (FOR STEEL PIPE) [2]</p>	
<p>JICA JAPAN INTERNATIONAL COOPERATION AGENCY ASSIGNED TO: JAPAN PORT CONSULTANT (JPC) PACIFIC CONSULTANTS INTERNATIONAL (PCI) INTERNATIONAL DEVELOPMENT SYSTEM (IDS)</p>		<p>PACKAGE 2 CONSTRUCTION OF PORT FACILITIES AND BUILDINGS FOR THI VAI AREA</p>		<p>DWG NO: PAC2-TV-QAF-093</p>		<p>REV. NO</p>	

DETAILED CROSS-SECTIONAL VIEW OF F.R.P. COVER SC=1/20

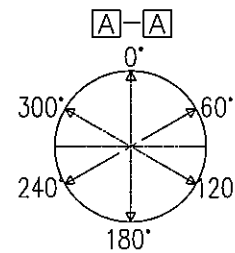


② DETAILS OF F.R.P. SPACER SC=1/5

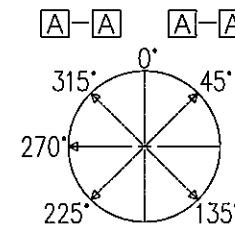


F.R.P.SPACER IS FASTENED TO THE MAIN BODY COVER WITH F.R.P.OVERLAY.

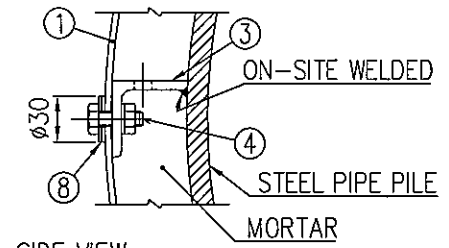
LOCATION OF UPPER WELDING FIXTURES



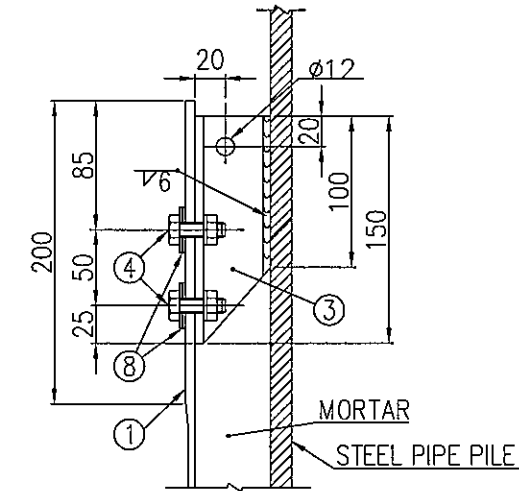
LOCATION OF F.R.P.SPACERS



③ DETAILS OF UPPER WELDING FIXTURES SC=1/5
TOP VIEW

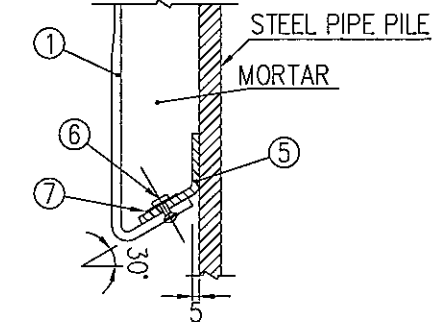


SIDE VIEW



⑤ DETAILS OF MORTAR SUPPORTER SC=1/5

SIDE VIEW

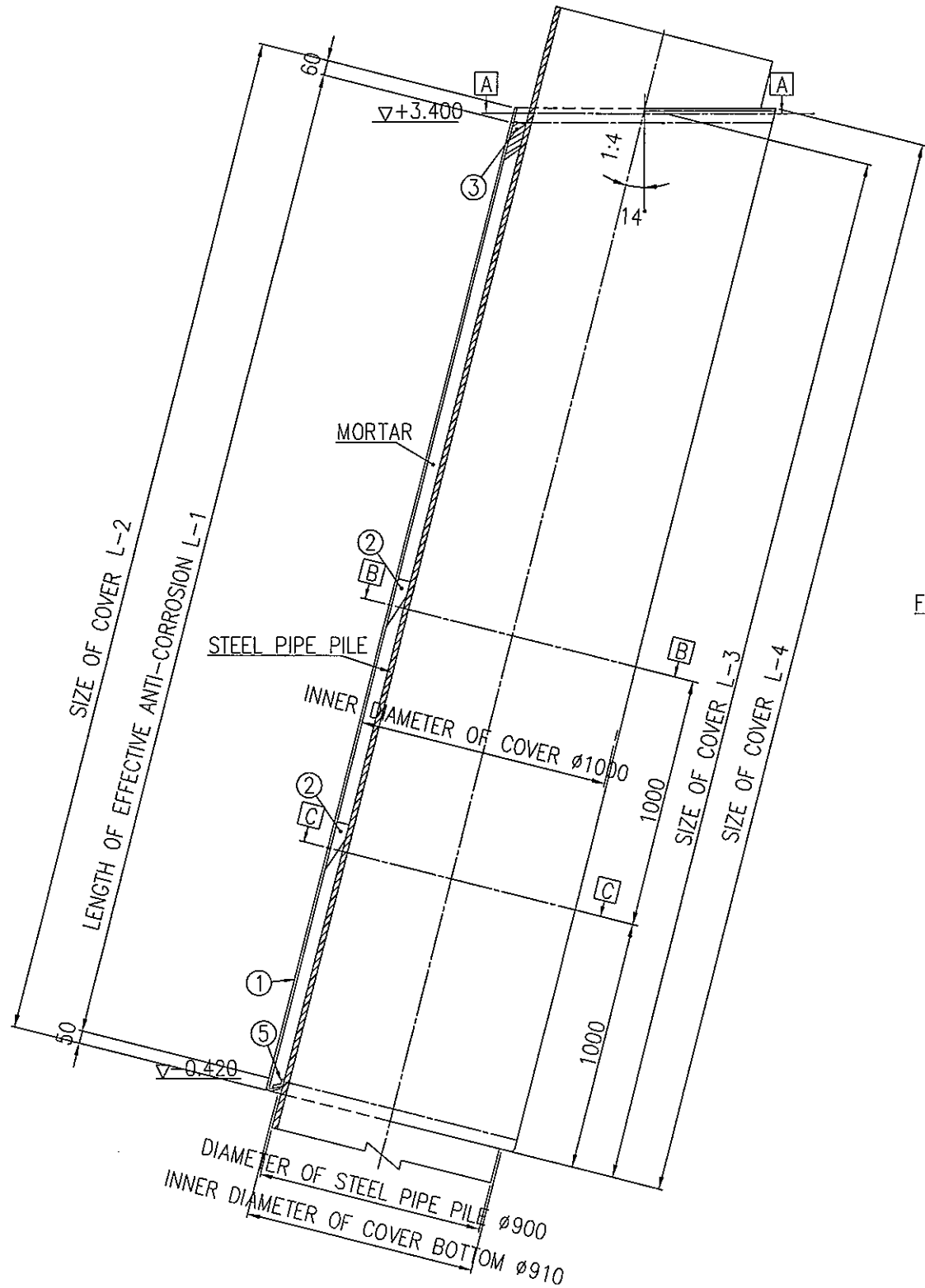


CLASS	TYPE	PILE MOUNTING ANGLE	OUTER DIAMETER OF STEEL PIPE PILE (M/M)	UPPER END MOUNTING LEVEL (M)	LOWER END MOUNTING LEVEL (M)	INNER DIAMETER	L-1	L-2
			1000	+2.400	-0.420	1100	2820	2930
			900	+2.400	-0.420	1000	2820	2930

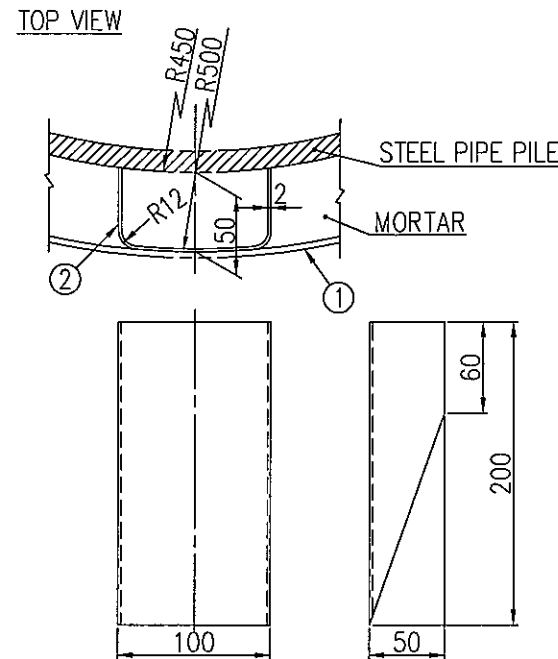
NO.	NAME	MATERIAL	QUANTITY	SYMBOL	REMARKS
8	RUBBER PACKING FOR UPPER FIXTURE	RUBBER	12	PCS	T=2M/M
7	WASHER ON MORTAR SUPPORTER	UNI-CHROME	22(20)	PCS	φ25Xφ5XT1
6	STAINLESS STEEL RIVET	SUS304	22(20)	PCS	
5	MORTAR SUPPORTER	RUBBER	1	PCS	T=5M/M
4	BOLT FOR UPPER FIXTURE	SUS304	12	PCS	M10X30?B.N.2W?
3	UPPER FIXTURE	SS400	6	PCS	L=50X50XT6XL150
2	F.R.P.SPACER	F.R.P.	8	PCS	
1	F.R.P.COVER	F.R.P.	1	PCS	

<p>THE SOCIALIST REPUBLIC OF VIETNAM MINISTRY OF TRANSPORT PROJECT MANAGEMENT UNIT 85</p>		<p>CAI MEP - THI VAI INTERNATIONAL PORT CONSTRUCTION PROJECT</p>		<p>DESIGNED BY: TRAN KHANH HUNG DRAWN BY: VU THI HANG CHECKED BY: YOSHIDA Y. APPROVED BY: NAGAI K. ISSUE DATE: 15/SEP/2005 SCALE: 1/20, 1/5</p>		<p>SECTION: CIVIL WORKS SUB-SECTION: QUAY FACILITIES TITLE OF DRAWING: DETAIL OF F.R.P. COVER (FOR STEEL PIPE PIPE) [3] DWG NO: PAC2-TV-QAF-094 REV. NO</p>	
<p>JICA JAPAN INTERNATIONAL COOPERATION AGENCY ASSIGNED TO: JAPAN PORT CONSULTANT (JPC) PACIFIC CONSULTANTS INTERNATIONAL (PCI) INTERNATIONAL DEVELOPMENT SYSTEM (IDS)</p>		<p>PACKAGE 2 CONSTRUCTION OF PORT FACILITIES AND BUILDINGS FOR THI VAI AREA</p>					
REV. NO	DATE	DESCRIPTION	BY	APP			

DETAILED CROSS-SECTIONAL VIEW OF F.R.P. COVER SC=1/25

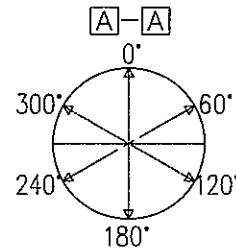


② DETAILS OF F.R.P. SPACER SC=1/5

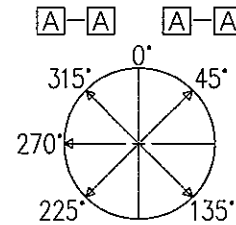


F.R.P.SPACER IS FASTENED TO THE MAIN BODY COVER WITH F.R.P.OVERLAY.

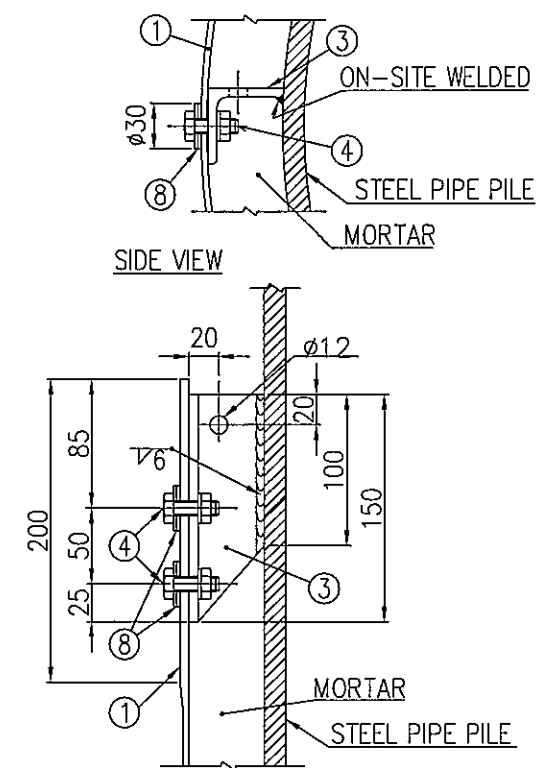
LOCATION OF UPPER WELDING FIXTURES



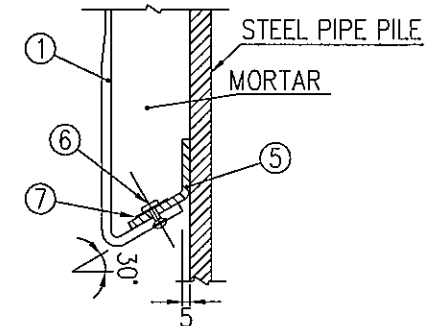
LOCATION OF F.R.P.SPACERS



③ DETAILS OF UPPER WELDING FIXTURES SC=1/5



⑤ DETAILS OF MORTAR SUPPORTER SC=1/5



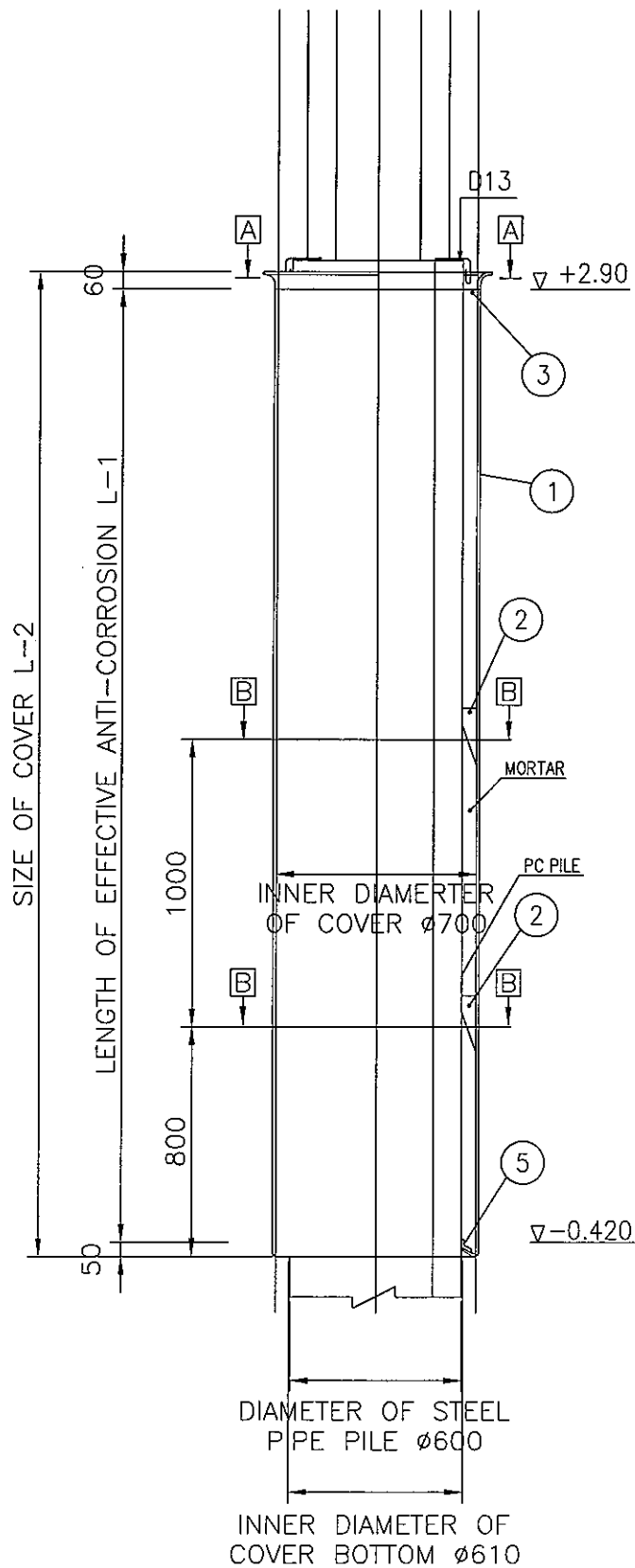
		1:4	900	+3.400	-0.420	1000	3938	4048	4173	4298
CLASS	TYPE	PILE MOUNTING ANGLE	OUTER DIAMETER OF STEEL PIPE PILE (M/M)	UPPER END MOUNTING LEVEL (M)	LOWER END MOUNTING LEVEL (M)	INNER DIAMETER	L-1	L-2	L-3	L-4
							DIMENSION OF F.R.P.COVER (M/M)			

NO.	NAME	MATERIAL	QUANTITY	SYMBOL	REMARKS
8	RUBBER PACKING FOR UPPER FIXTURE	RUBBER	12	PCS	T=2M/M
7	WASHER ON MORTAR SUPPORTER	UNI-CHROME	20	PCS	Ø25XØ5XT1
6	STAINLESS STEEL RIVET	SUS304	20	PCS	
5	MORTAR SUPPORTER	RUBBER	1	PCS	T=5M/M
4	BOLT FOR UPPER FIXTURE	SUS304	12	PCS	M10X30(B.N.2W)
3	UPPER FIXTURE	SS400	6	PCS	L-50X50XT6XL150
2	F.R.P.SPACER	F.R.P.	10	PCS	
1	F.R.P.COVER	F.R.P.	1	PCS	

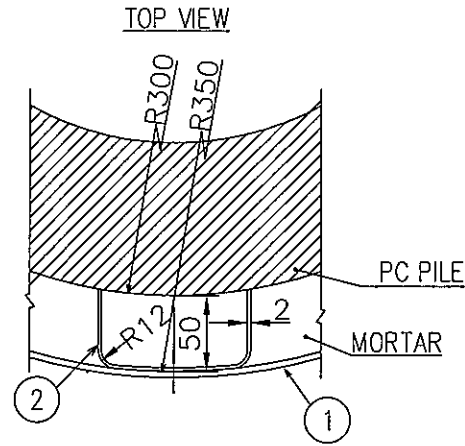
<p>THE SOCIALIST REPUBLIC OF VIETNAM MINISTRY OF TRANSPORT PROJECT MANAGEMENT UNIT 85</p>		<p>CAI MEP - THI VAI INTERNATIONAL PORT CONSTRUCTION PROJECT</p>		<p>DESIGNED BY: TRAN KHANH HUNG DRAWN BY: VU THI HANG CHECKED BY: YOSHIDA Y. APPROVED BY: NAGAI K. ISSUE DATE: 15/SEP/2005 SCALE: 1/25, 1/5</p>		<p>SECTION: CIVIL WORKS SUB-SECTION: QUAY FACILITIES TITLE OF DRAWING: DETAIL OF F.R.P. COVER (FOR STEEL PIPE) [4] DWG NO: PAC2-TV-QAF-095 REV. NO</p>	
<p>JICA JAPAN INTERNATIONAL COOPERATION AGENCY ASSIGNED TO: JAPAN PORT CONSULTANT (JPC) PACIFIC CONSULTANTS INTERNATIONAL (PCI) INTERNATIONAL DEVELOPMENT SYSTEM (IDS)</p>		<p>PACKAGE 2 CONSTRUCTION OF PORT FACILITIES AND BUILDINGS FOR THI VAI AREA</p>					
REV NO	DATE	DESCRIPTION	BY	APP			

DETAILED CROSS-SECTIONAL OF F.R.P. COVER

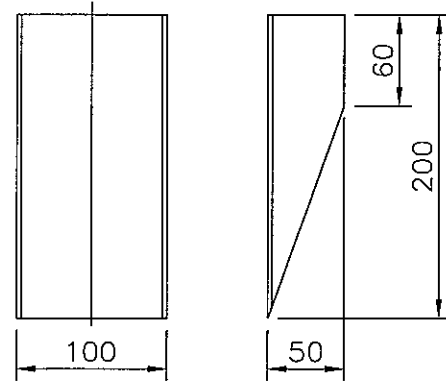
SCALE=1/10



② DETAILS OF F.R.P. SPACER

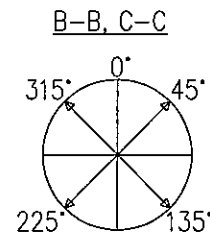
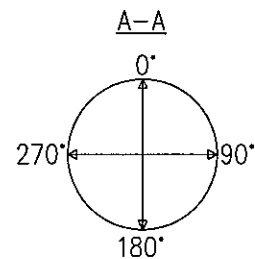


F.R.P.SPACER IS FASTENED TO THE MAIN BODY COVER WITH F.R.O OVERLAY.



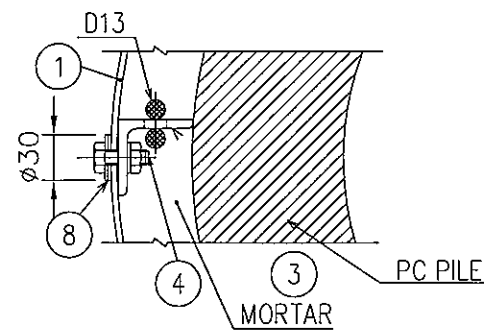
LOCATION OF UPPER WELDING FIXTURES

LOCATION OF F.R.P.SPACERS

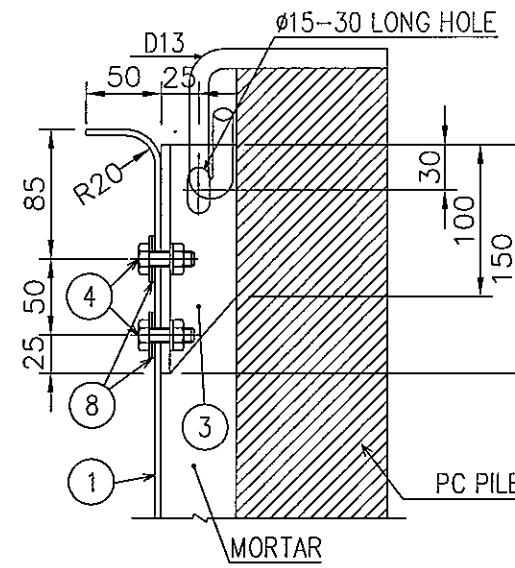


③ DETAILS OF UPPER WELDING FIXTURES

TOP VIEW

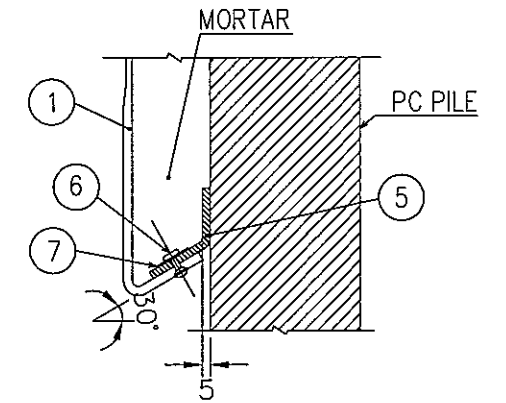


SIDE VIEW



⑤ DETAILS OF MORTAR SUPPORTER

SIDE VIEW

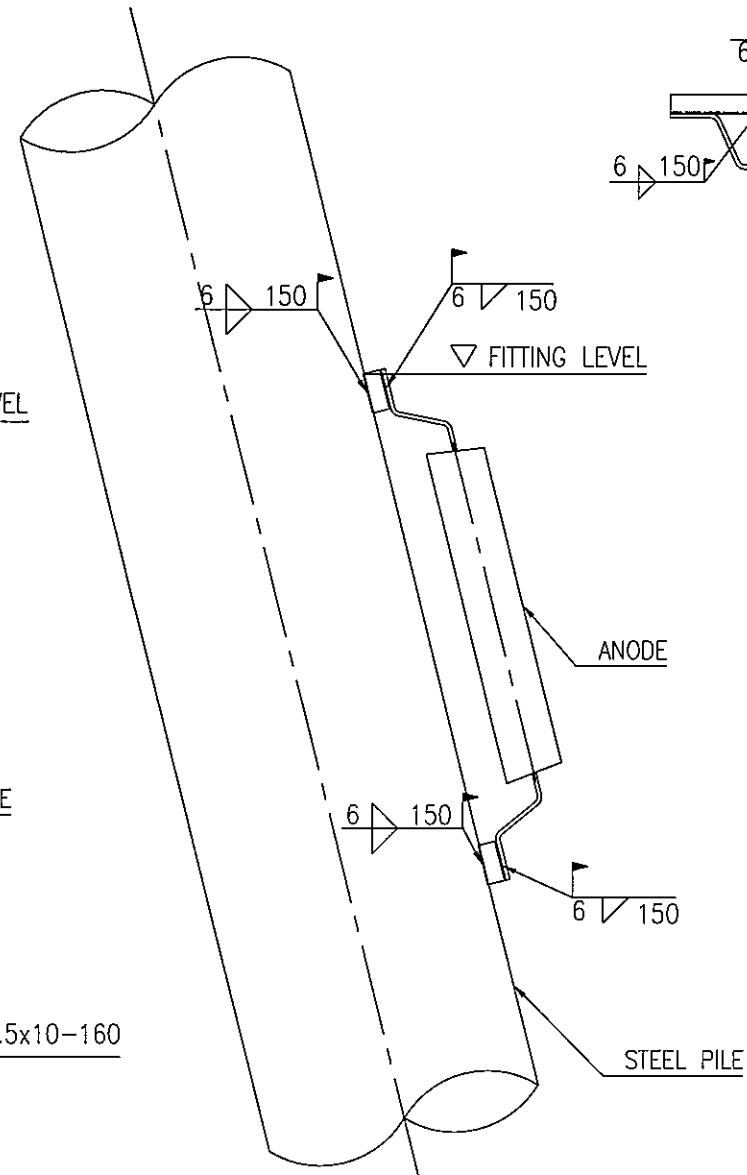
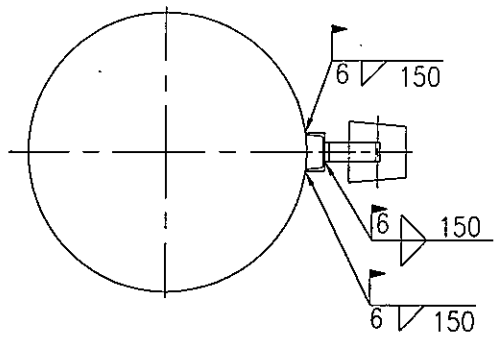


No.	Name	Material	Quantity	Symbol	Remarks
9					
8	Rubber packing for upper fixture	Rubber	8	pcs	t=2m/m
7	Washer on mortar supporter	Uni-chrome	14	pcs	ø25xø5xt1
6	Stainless steel rivet	SUS304	14	pcs	
5	Mortar supporter	Rubber	1	pcs	t=5m/m
4	Bolt for upper fixture	SUS304	8	pcs	M10x30 (B.N.2W)
3	Upper fixture	SS400	4	pcs	L-50x50xt6xL150
2	F.R.P.spacer	F.R.P.	8	pcs	
1	F.R.P.cover	F.R.P.	1	pcs	

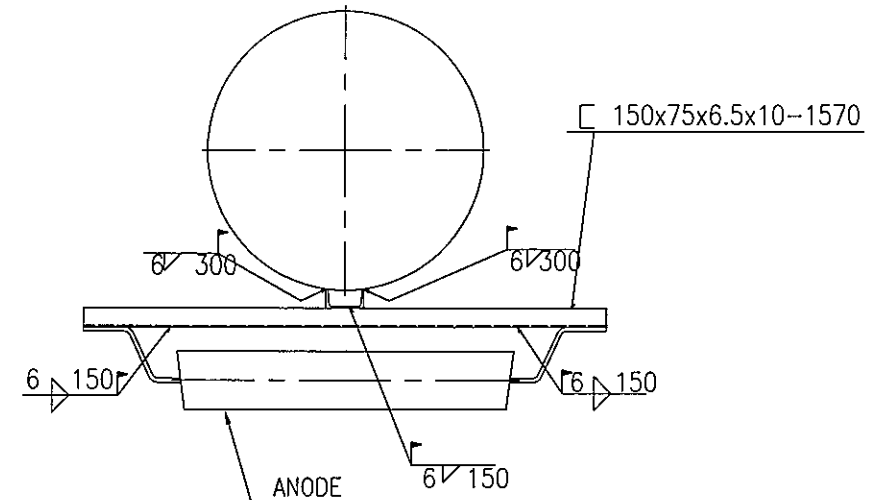
Class	Type	Pile mounting angle	Outer diameter of PC pile (m/m)	Upper end Mounting level (m)	Lower end Mounting level (m)	Inner diameter	L-1	L-2	Thickness
			600	+2.900	-0.420	700	3320	3430	3.0
							Dimension of F.R.P.cover (m/m)		

<p>THE SOCIALIST REPUBLIC OF VIETNAM MINISTRY OF TRANSPORT PROJECT MANAGEMENT UNIT 85</p>		<p>CAI MEP - THI VAI INTERNATIONAL PORT CONSTRUCTION PROJECT</p>		<p>DESIGNED BY: BUI AN LOC DRAWN BY: MAI T HONG THAO CHECKED BY: YOSHIDA Y. APPROVED BY: NAGAI K. ISSUE DATE: 15/SEP/2005 SCALE: 1/25, 1/5</p>		<p>SECTION: CIVIL WORKS SUB-SECTION: QUAY FACILITY TITLE OF DRAWING: DETAIL OF PILE HEAD TYPE 6 [2] DWG NO: PAC1-CM-QAF-097 REV. NO</p>		
<p>JICA JAPAN INTERNATIONAL COOPERATION AGENCY ASSIGNED TO: JAPAN PORT CONSULTANT (JPC) PACIFIC CONSULTANTS INTERNATIONAL (PCI) INTERNATIONAL DEVELOPMENT SYSTEM (IDS)</p>		<p>PACKAGE 2 CONSTRUCTION OF PORT FACILITIES AND BUILDINGS FOR THI VAI AREA</p>						
REV NO	DATE	DESCRIPTION	BY	APP				

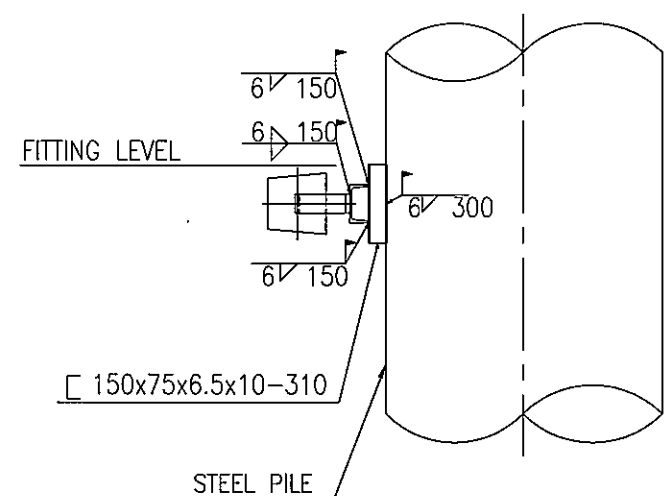
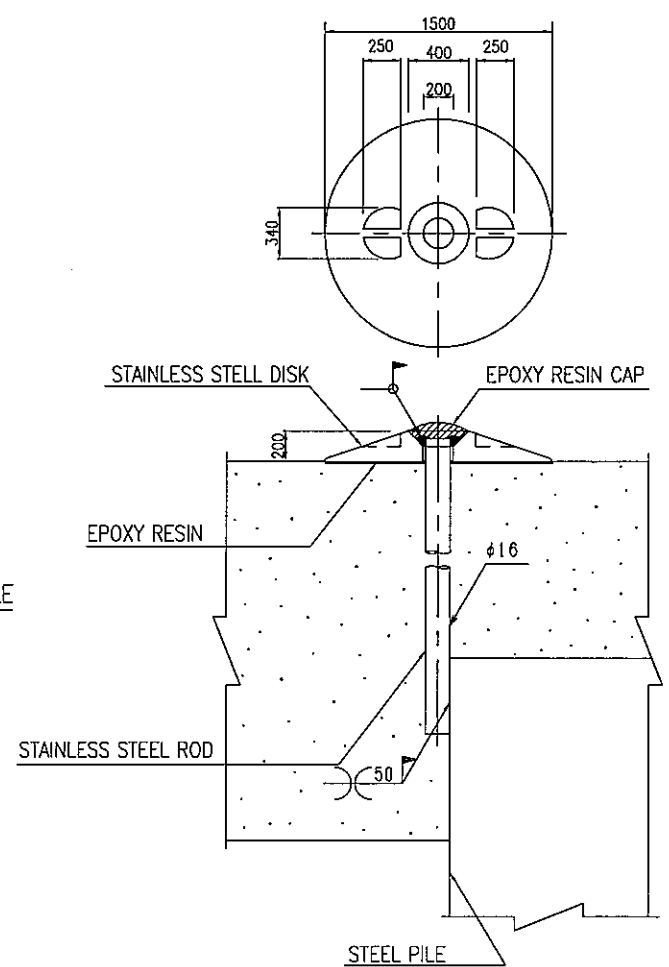
INSTALLATION OF ANODE



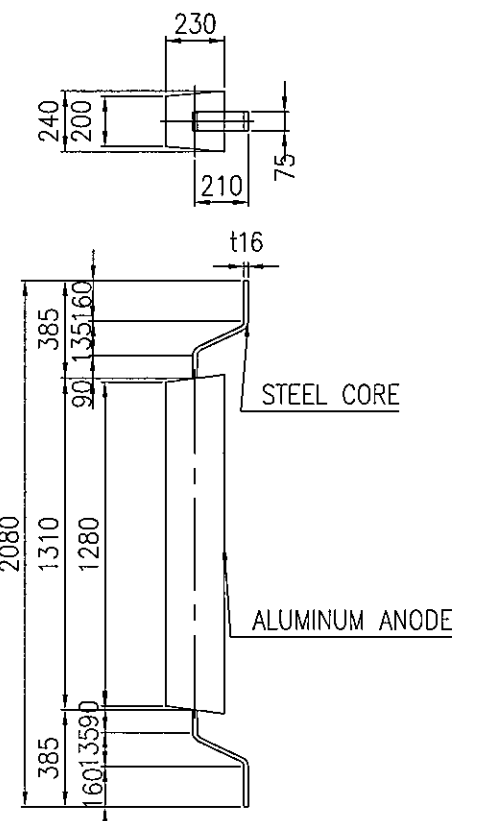
VERTICAL SC=1/30



STAINLESS STEEL DISK FOR MEASUREMENT SC=1/50



HORIZONTAL SC=1/30



ALUMINUM ALLOY ANODE SC=1/30

SYMBOL	FITTING LEVEL(m)			QUANTITY(PC.)	FITTING METHOD
	-1.5	-7.0	-12.5		
⊙				3x32=96	VERTICAL
▲				1x17=17	
TOTAL				113	
Ⓜ	STAINLESS STEEL DISK FOR MEASUREMENT			2	

REV NO	DATE	DESCRIPTION	BY	APP

THE SOCIALIST REPUBLIC OF VIETNAM
 MINISTRY OF TRANSPORT
 PROJECT MANAGEMENT UNIT 85

JICA
 JAPAN INTERNATIONAL COOPERATION AGENCY
 ASSIGNED TO:
 JAPAN PORT CONSULTANT (JPC)
 PACIFIC CONSULTANTS INTERNATIONAL (PCI)
 INTERNATIONAL DEVELOPMENT SYSTEM (IDS)

CAI MEP - THI VAI INTERNATIONAL PORT
 CONSTRUCTION PROJECT

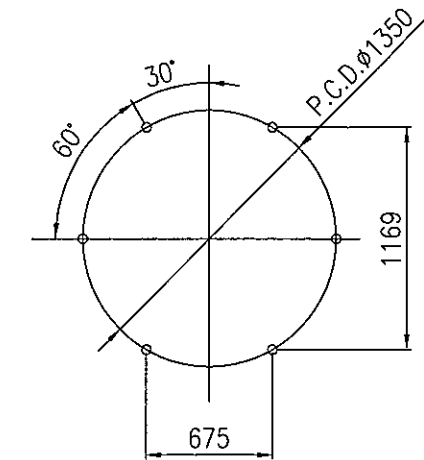
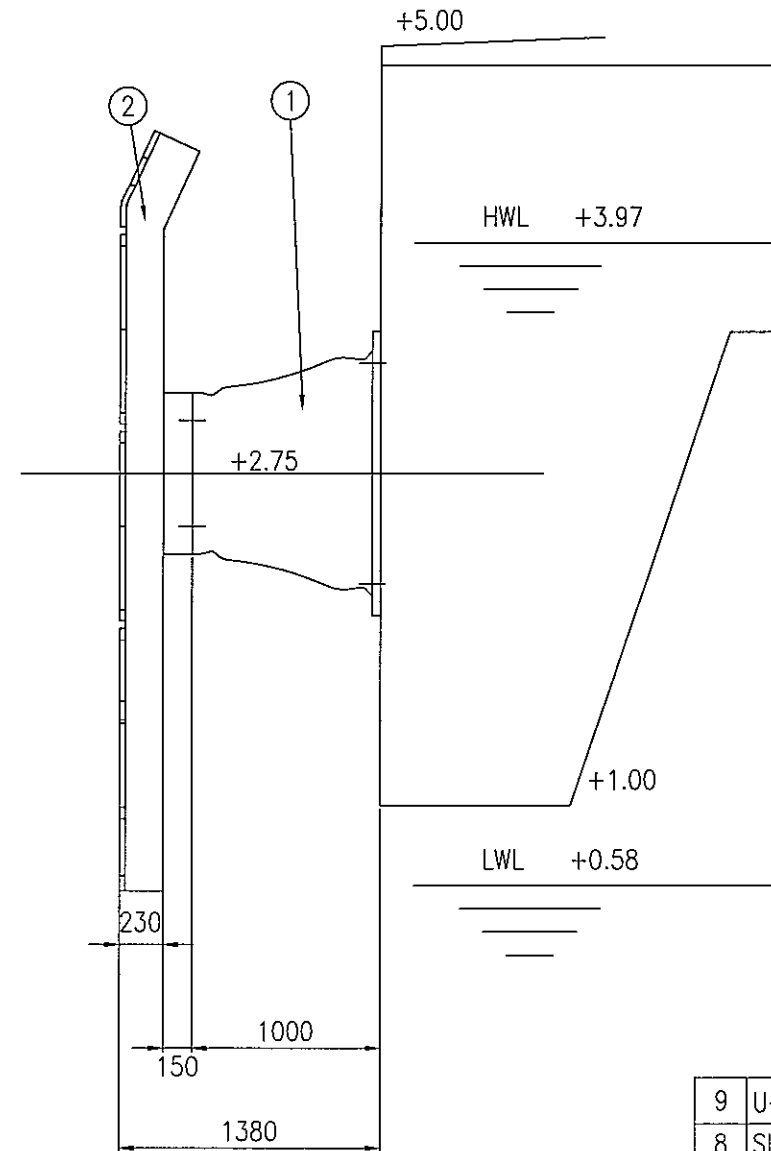
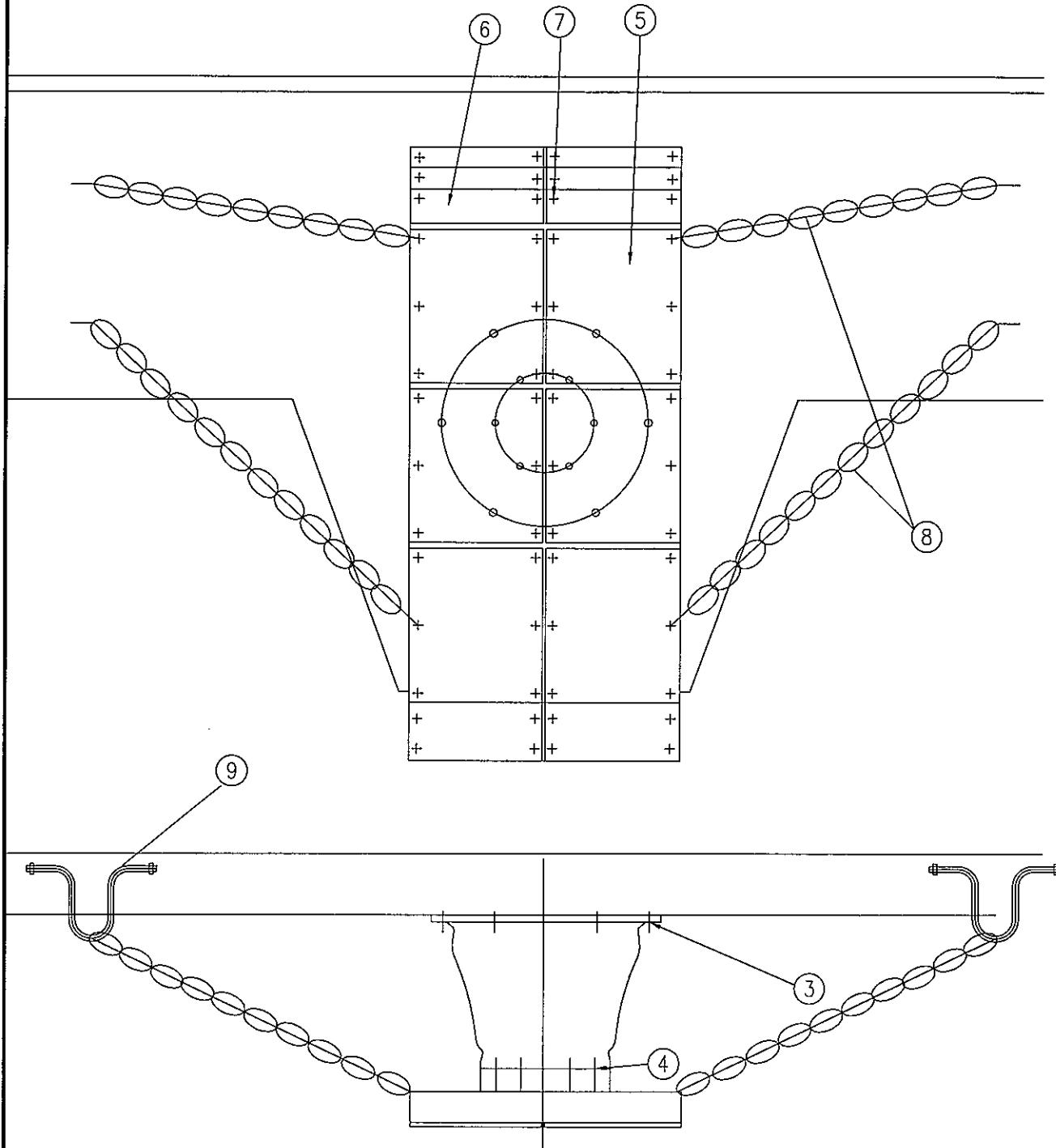
PACKAGE 2
 CONSTRUCTION OF PORT FACILITIES AND BUILDINGS FOR
 THI VAI AREA

DESIGNED BY: TRAN KHANH HUNG
 DRAWN BY: VU THI HANG
 CHECKED BY: YOSHIDA Y.
 APPROVED BY: NAGAI K.
 ISSUE DATE: 15/SEP/2005
 SCALE: 1/50, 1/30

SECTION: CIVIL WORKS
 SUB-SECTION: QUAY FACILITIES
 TITLE OF DRAWING: DETAIL OF ANODE PROTECTION
 DWG NO: PAC2-TV-QAF-098
 REV. NO

DETAIL OF RUBBER FENDER SYSTEM SC=1/40

ANCHOR POSITION SC=1/40



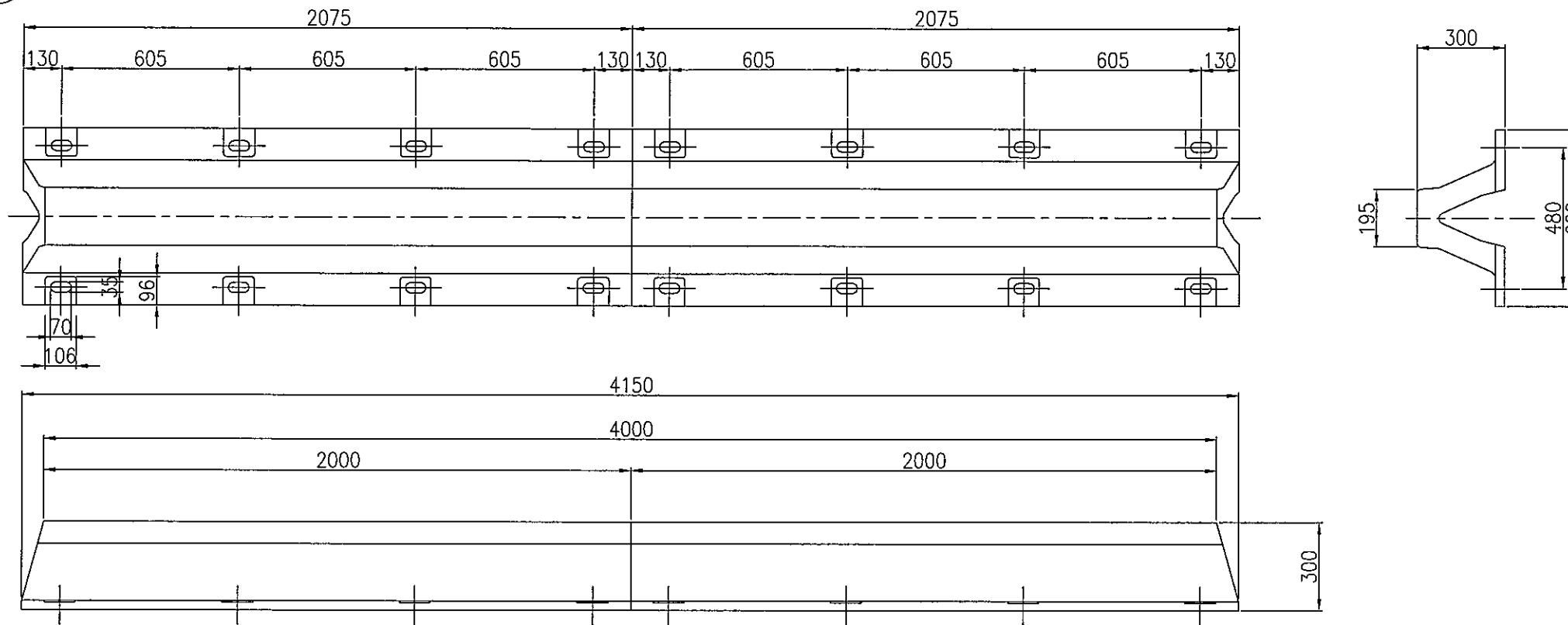
- 1) THICKNESS OF THE FRONTAL FRAME MAY BE MODIFIED BY MAXIMUM 3 mm AT MANUFACTURER'S OPTION.
- 2) THE MATERIAL CAN BE ALTERNATED WITH AN EQUIVALENT.
- 3) FRAME COATING SPECIFICATION:
 BLASTING GRADE: SSPC-SP-10 OR SIS Sa21/2
 PRIMARY COATING: ZINC RICH PRIMER --- 70 MICRONS
 FINAL COATING: COAL TAR EPOXY -- 2 X 190 MICRONS
 TOTAL DRY FILM THICKNESS: MIN 450 MICRONS(BLACK)
- 4) BELT CONTACT IS NOT CONSIDERED.

9	U-ANCHOR	SS400 JIS G3101	2	
8	SHEAR CHAIN	SBC 490 GALVANIZED	4	DIA38
7	PAD FIXING BOLT	SS400, SUS304 IN JIS G 4303, 4304	44	M16
6	CORNER PAD	POLYETHYLENE 1000R,750R	2	30° (BLUE)
5	FLAT PAD	POLYETHYLENE 1000sq,1000x750	6	30° (BLUE)
4	FRAME FIXING BOLT	SS400 IN JIS G 3101(GALVANIZED)	6	M36
3	SUPER BOLT	SS400, SUS304(SLEEVE) IN JIS G 4303, 4304	6	M36
2	FRONTAL FRAME	SS400 IN JIS G 3101(PAINTED)	1	1770 x 3340
1	RUBBER FENDER	RUBBER, SS400 IN JIS G 3101	1	
No.	NAME	MATERIAL	QUANTITY	REMARKS

<p>THE SOCIALIST REPUBLIC OF VIETNAM MINISTRY OF TRANSPORT PROJECT MANAGEMENT UNIT 85</p>					<p>CAI MEP - THI VAI INTERNATIONAL PORT CONSTRUCTION PROJECT</p>					<p>DESIGNED BY: TRAN KHANH HUNG DRAWN BY: VU THI HANG CHECKED BY: YOSHIDA Y. APPROVED BY: NAGAI K. ISSUE DATE: 15/SEP/2005 SCALE: 1/40</p>					<p>SECTION: CIVIL WORKS SUB-SECTION: QUAY FACILITIES TITLE OF DRAWING: DETAIL OF RUBBER FENDER FOR VESSEL DWG NO: PAC2-TV-QAF-099 REV. NO</p>				
<p>JICA JAPAN INTERNATIONAL COOPERATION AGENCY ASSIGNED TO: JAPAN PORT CONSULTANT (JPC) PACIFIC CONSULTANTS INTERNATIONAL (PCI) INTERNATIONAL DEVELOPMENT SYSTEM (IDS)</p>					<p>PACKAGE 2 CONSTRUCTION OF PORT FACILITIES AND BUILDINGS FOR THI VAI AREA</p>														
REV NO	DATE	DESCRIPTION	BY	APP															

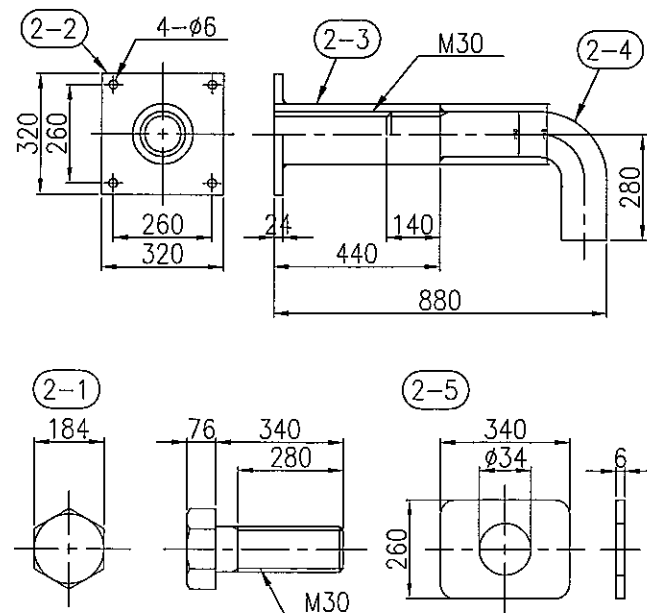
DETAIL DRAWING OF RUBBER FENDER (V-TYPE) SC=1/20

1



2

PARTIAL VIEW OF ATTACHMENT SC=1/20

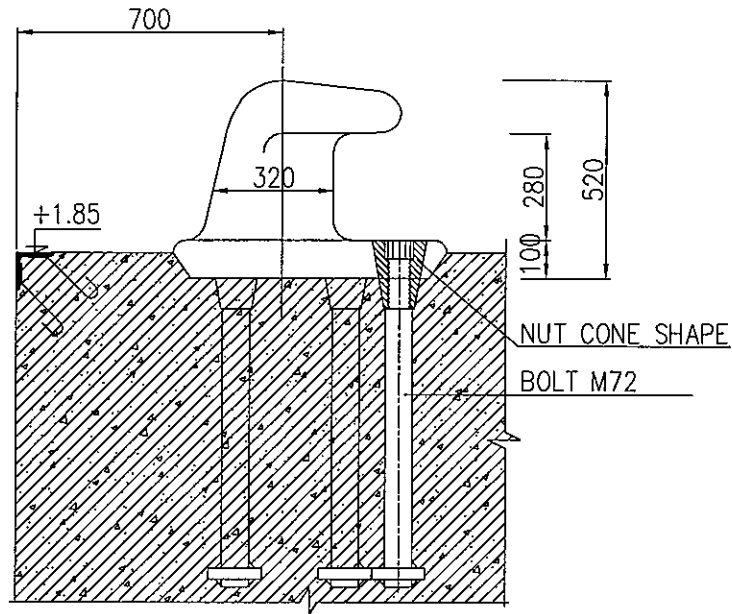


②-5	SQUARE WASHER	-	SS400 TO BE GALVANIZED	
②-4	ANCHOR HOOK	-	SS400	
②-3	ANCHOR PLUG	-	SUS304	
②-2	SQUARE FLANGE	-	SS400 TO BE GALVANIZED	
②-1	FIXING BOLT	-	SS400 TO BE GALVANIZED	
②	ANCHOR BOLT	16	M-30	
①	RUBBER FENDER	2	NR,SBR / SS400	
			V-300HX2000L	
NO	DESCRIPTION	QTY	MATERIAL	REMARKS

		THE SOCIALIST REPUBLIC OF VIETNAM MINISTRY OF TRANSPORT PROJECT MANAGEMENT UNIT 85		CAI MEP - THI VAI INTERNATIONAL PORT CONSTRUCTION PROJECT		DESIGNED BY: TRAN KHANH HUNG		SECTION: CIVIL WORKS	
		JICA JAPAN INTERNATIONAL COOPERATION AGENCY ASSIGNED TO: JAPAN PORT CONSULTANT (JPC) PACIFIC CONSULTANTS INTERNATIONAL (PCI) INTERNATIONAL DEVELOPMENT SYSTEM (IDS)		PACKAGE 2 CONSTRUCTION OF PORT FACILITIES AND BUILDINGS FOR THI VAI AREA		DRAWN BY: VU THI HANG		SUB-SECTION: QUAY FACILITIES	
						CHECKED BY: YOSHIDA Y.		TITLE OF DRAWING: DETAIL OF RUBBER FENDER FOR BARGE	
						APPROVED BY: NAGAI K.		DWG NO: PAC2-TV-QAF-100	
REV NO	DATE	DESCRIPTION	BY	APP			ISSUE DATE: 15/SEP/2005		REV. NO
							SCALE: 1/20		

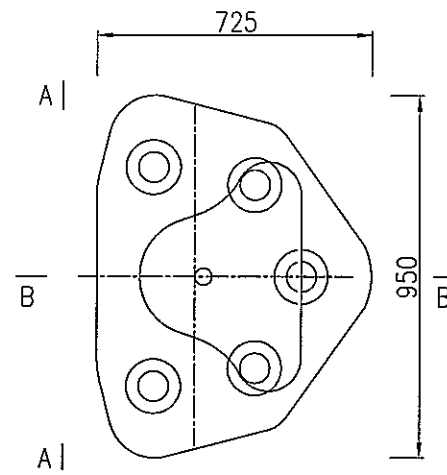
CONNECT BOLLARD WITH TRESTLE AND SLAB

SCALE=1/20



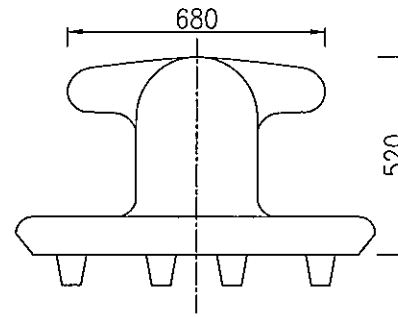
PLAN OF BOLLARD

SCALE=1/20



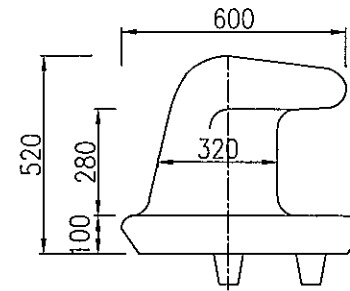
SECTION A-A

SCALE=1/20



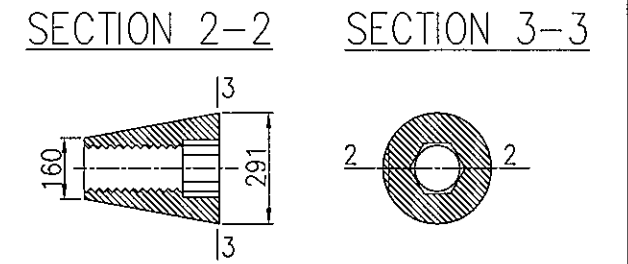
SECTION B-B

SCALE=1/20



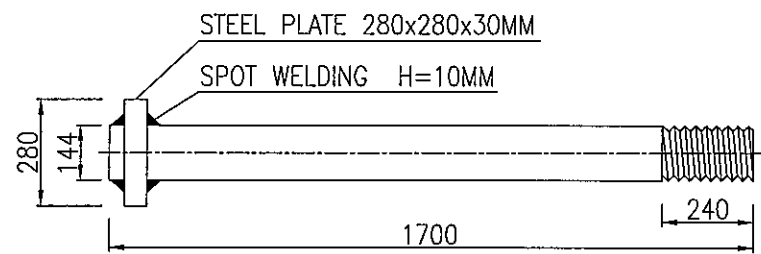
NUT CONE SHAPE

SCALE=1/20

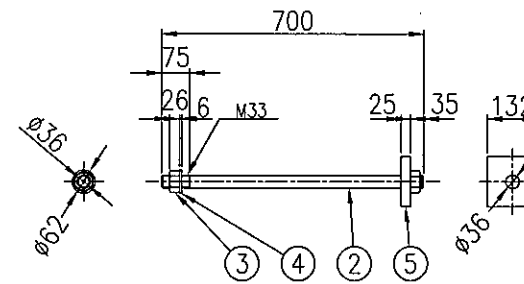
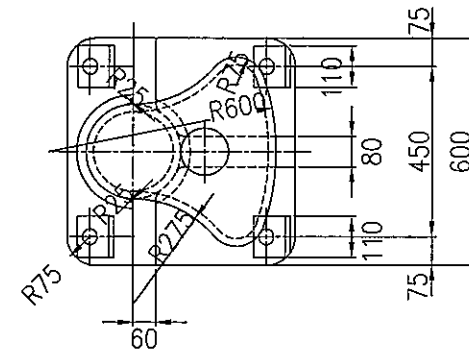


DETAIL OF BOLT M72

SCALE=1/20

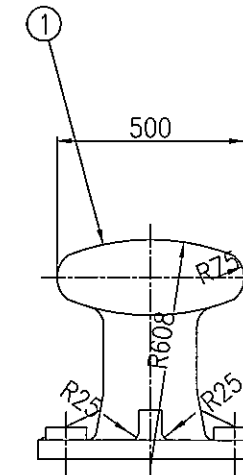
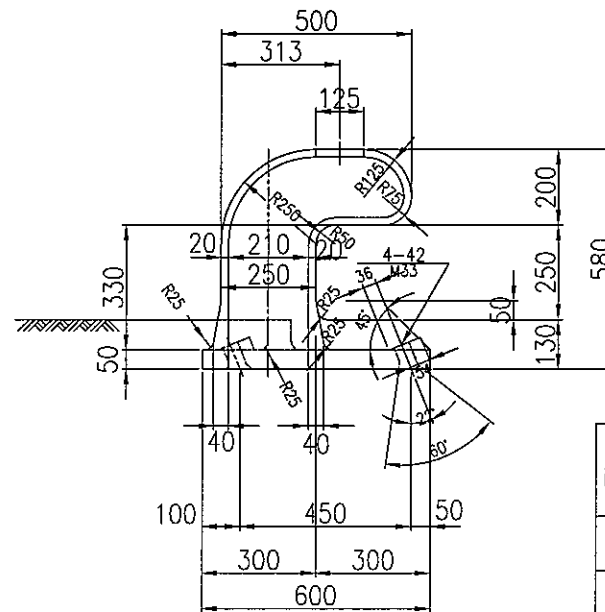
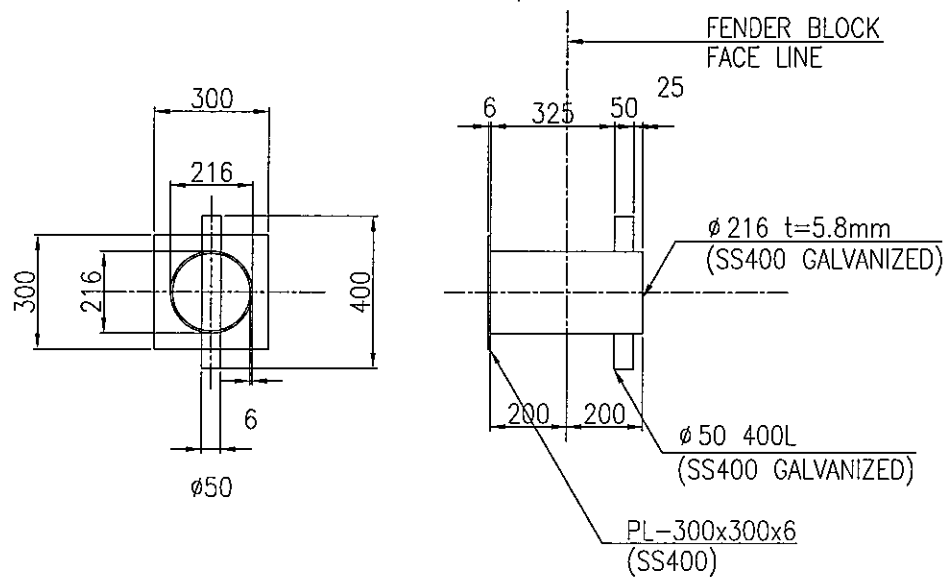


BOLLARD 15T



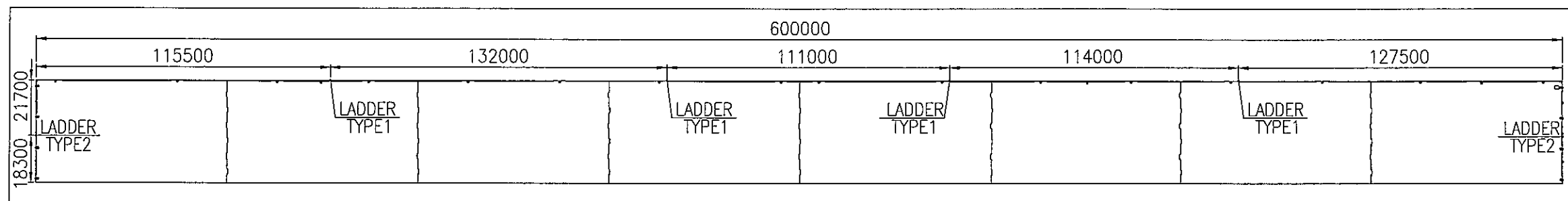
BITT FOR BARGE DETAIL

SCALE=1/20

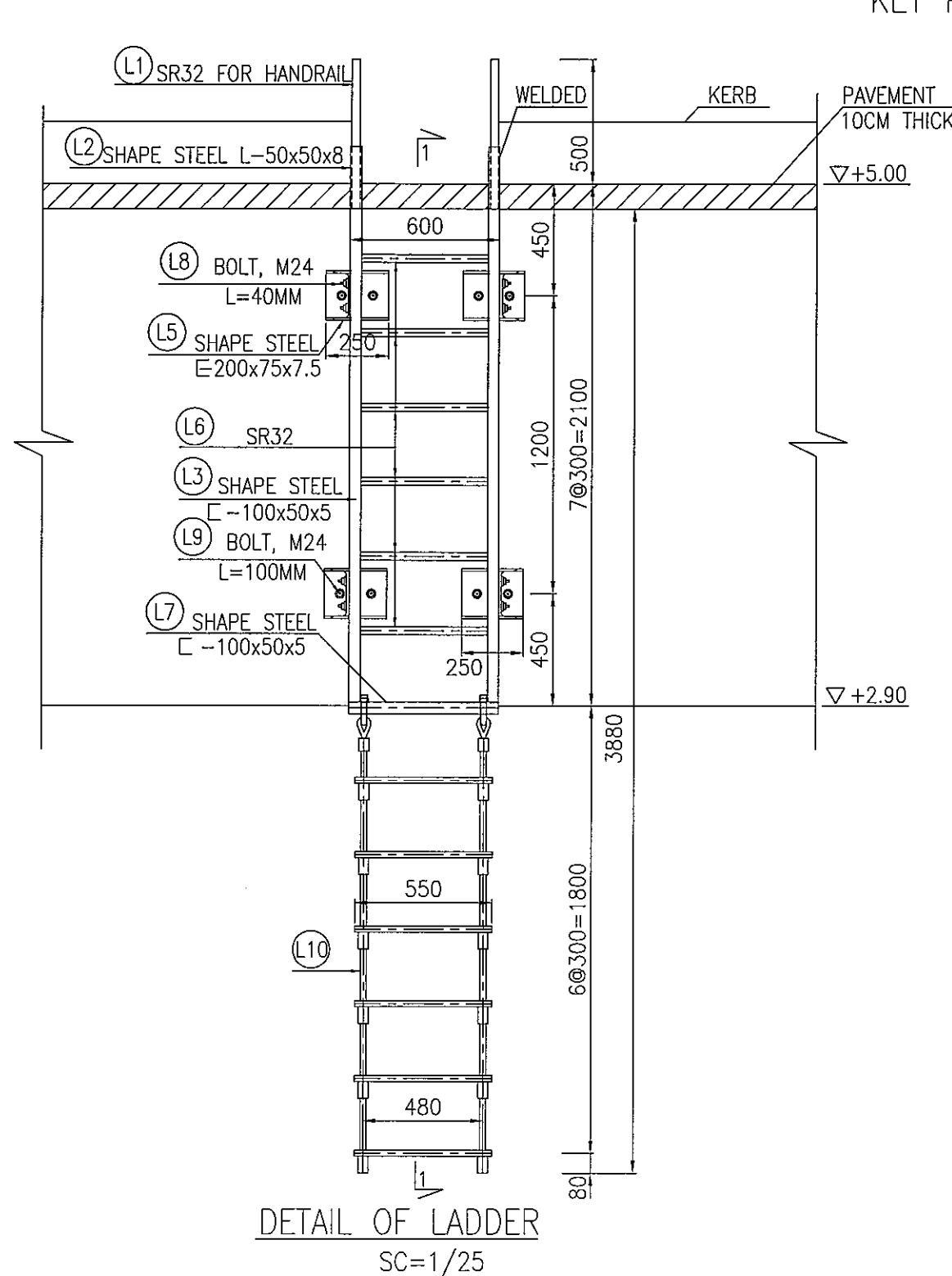


MARK	ITEM	MATERIAL- SPEC.	ALLOWABLE STRESS (kg/cm ²)	No. OF ITEM	UNIT WEIGHT (kg)	TOTAL WEIGHT (kg)
①	BODY	JIS G 5101	1,400	1	245	245
②	ANCHOR BOLT	JIS G 3101 JIS B 0205 M33-3.5	1,400	4	5	20
③	NUT	JIS B 1181 4T, M33-3.5	—	8	—	—
④	WASHER	JIS B 1256	—	4	—	—
⑤	ANCHOR PLATE	JIS G 3101	1,400	4	4	16

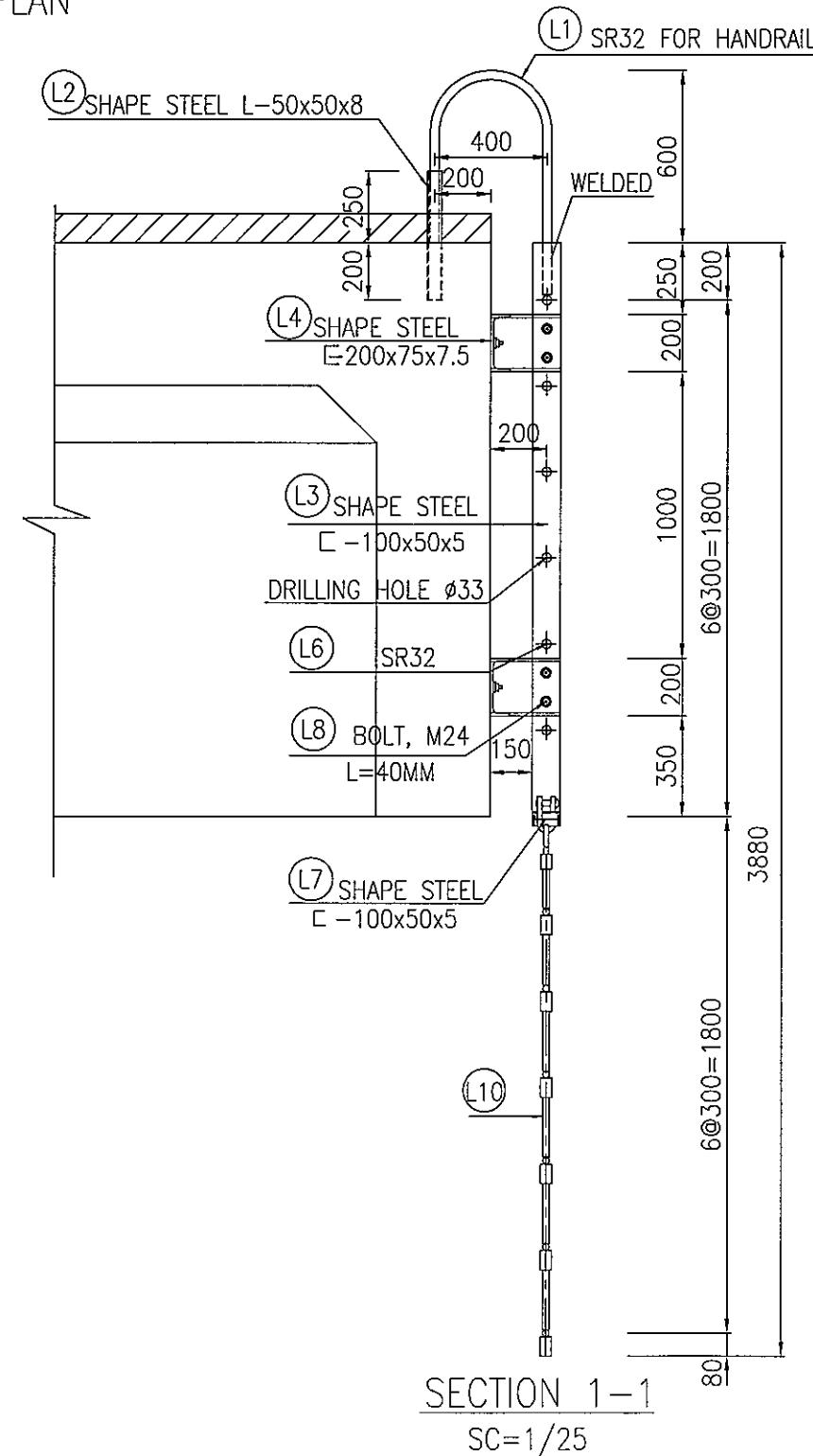
<p>THE SOCIALIST REPUBLIC OF VIETNAM MINISTRY OF TRANSPORT PROJECT MANAGEMENT UNIT 85</p>		<p>CAI MEP - THI VAI INTERNATIONAL PORT CONSTRUCTION PROJECT</p>		<p>DESIGNED BY: TRAN KHANH HUNG DRAWN BY: VU THI HANG CHECKED BY: YOSHIDA Y. APPROVED BY: NAGAI K. ISSUE DATE: 15/SEP/2005 SCALE: 1/20</p>		<p>SECTION: CIVIL WORKS SUB-SECTION: QUAY FACILITIES TITLE OF DRAWING: DETAIL OF BOLLARD</p>	
<p>JICA JAPAN INTERNATIONAL COOPERATION AGENCY ASSIGNED TO: JAPAN PORT CONSULTANT (JPC) PACIFIC CONSULTANTS INTERNATIONAL (PCI) INTERNATIONAL DEVELOPMENT SYSTEM (IDS)</p>		<p>PACKAGE 2 CONSTRUCTION OF PORT FACILITIES AND BUILDINGS FOR THI VAI AREA</p>		<p>DWG NO: PAC2-TV-QAF-101</p>		<p>REV. NO</p>	
REV NO	DATE	DESCRIPTION	BY	APP			



KEY PLAN



DETAIL OF LADDER
SC=1/25

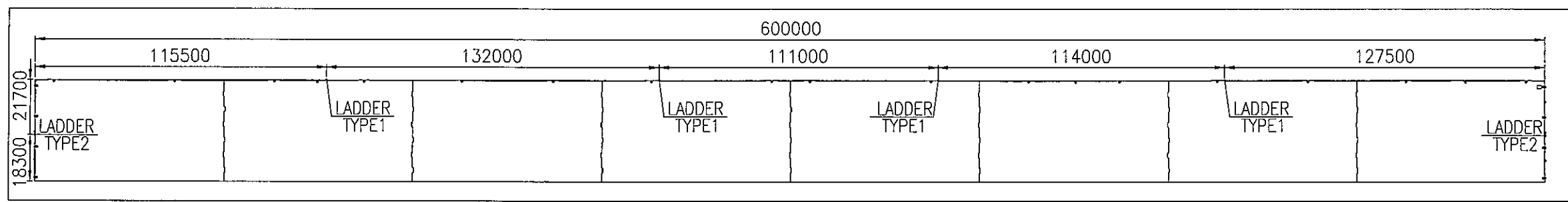


SECTION 1-1
SC=1/25

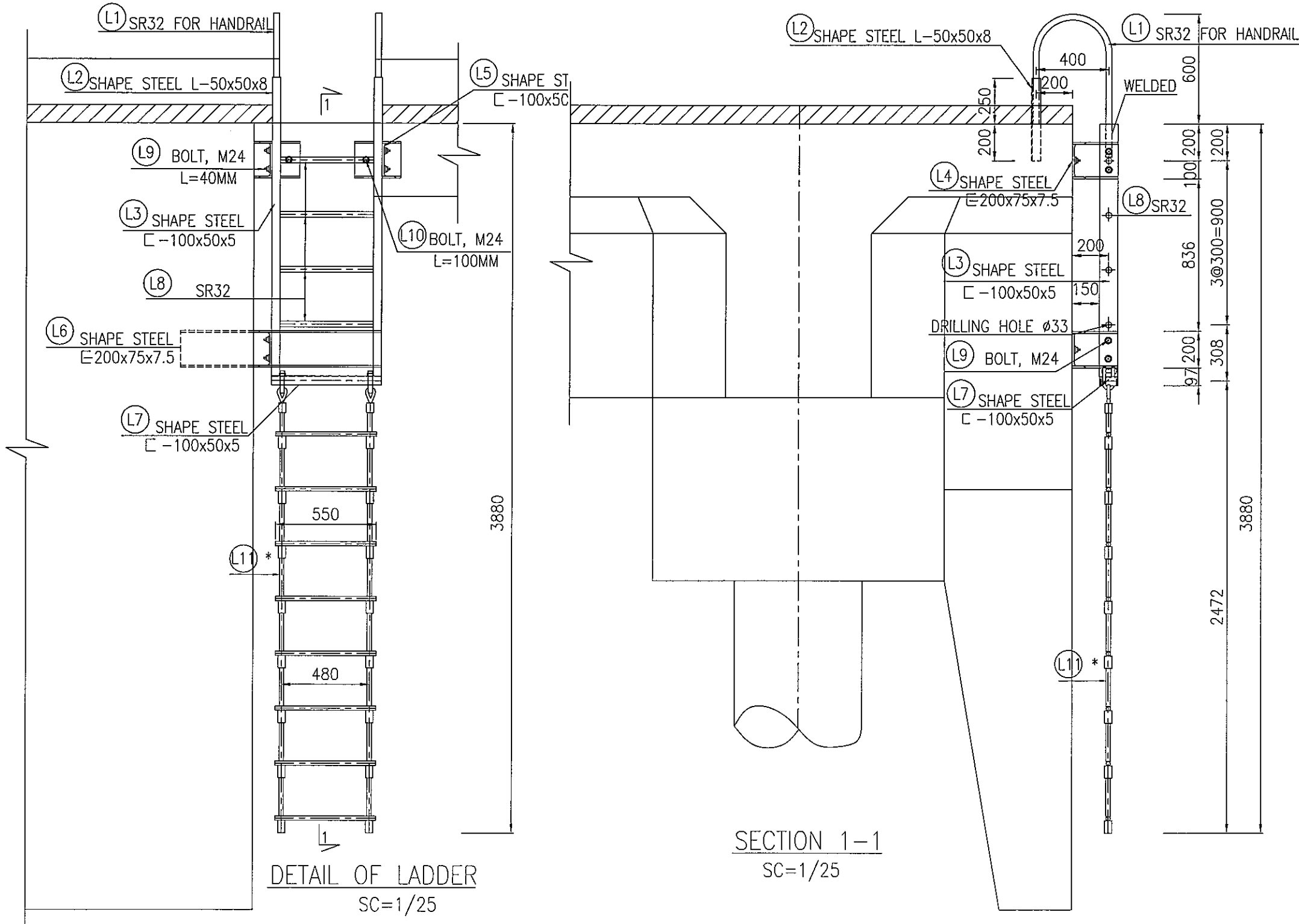
NOTES:

- DIMENSIONS ARE IN [MM].
- ELEVATION ARE IN [M]- CHART DATUM.
- LADDER TYPE 1 WILL BE INSTALLED AT THE FACE LINE OF BERTH.
- LADDER TYPE 2 WILL BE INSTALLED AT THE EDGE LINE OF BERTH.
- (*) (L10) : STANDARD PRODUCT
- ALL STEEL IS GALVALINIZED BY ZINC.

<p>THE SOCIALIST REPUBLIC OF VIETNAM MINISTRY OF TRANSPORT PROJECT MANAGEMENT UNIT 85</p>					<p>CAI MEP - THI VAI INTERNATIONAL PORT CONSTRUCTION PROJECT</p>		<p>DESIGNED BY: TRAN KHANH HUNG</p>		<p>SECTION: CIVIL WORKS</p>	
<p>JAPAN INTERNATIONAL COOPERATION AGENCY ASSIGNED TO: JAPAN PORT CONSULTANT (JPC) PACIFIC CONSULTANTS INTERNATIONAL (PCI) INTERNATIONAL DEVELOPMENT SYSTEM (IDS)</p>					<p>PACKAGE 2 CONSTRUCTION OF PORT FACILITIES AND BUILDINGS FOR THI VAI AREA</p>		<p>CHECKED BY: YOSHIDA Y.</p>		<p>SUB-SECTION: QUAY FACILITY</p>	
<p>JICA</p>					<p>APPROVED BY: NAGAI K.</p>		<p>TITLE OF DRAWING: DETAIL OF LADDER [1]</p>		<p>DWG NO: PAC2-TV-QAF-102</p>	
REV NO	DATE	DESCRIPTION	BY	APP			<p>ISSUE DATE: 13/5/EP/2005</p>		<p>SCALE: 1/25</p>	
<p>REV. NO</p>										



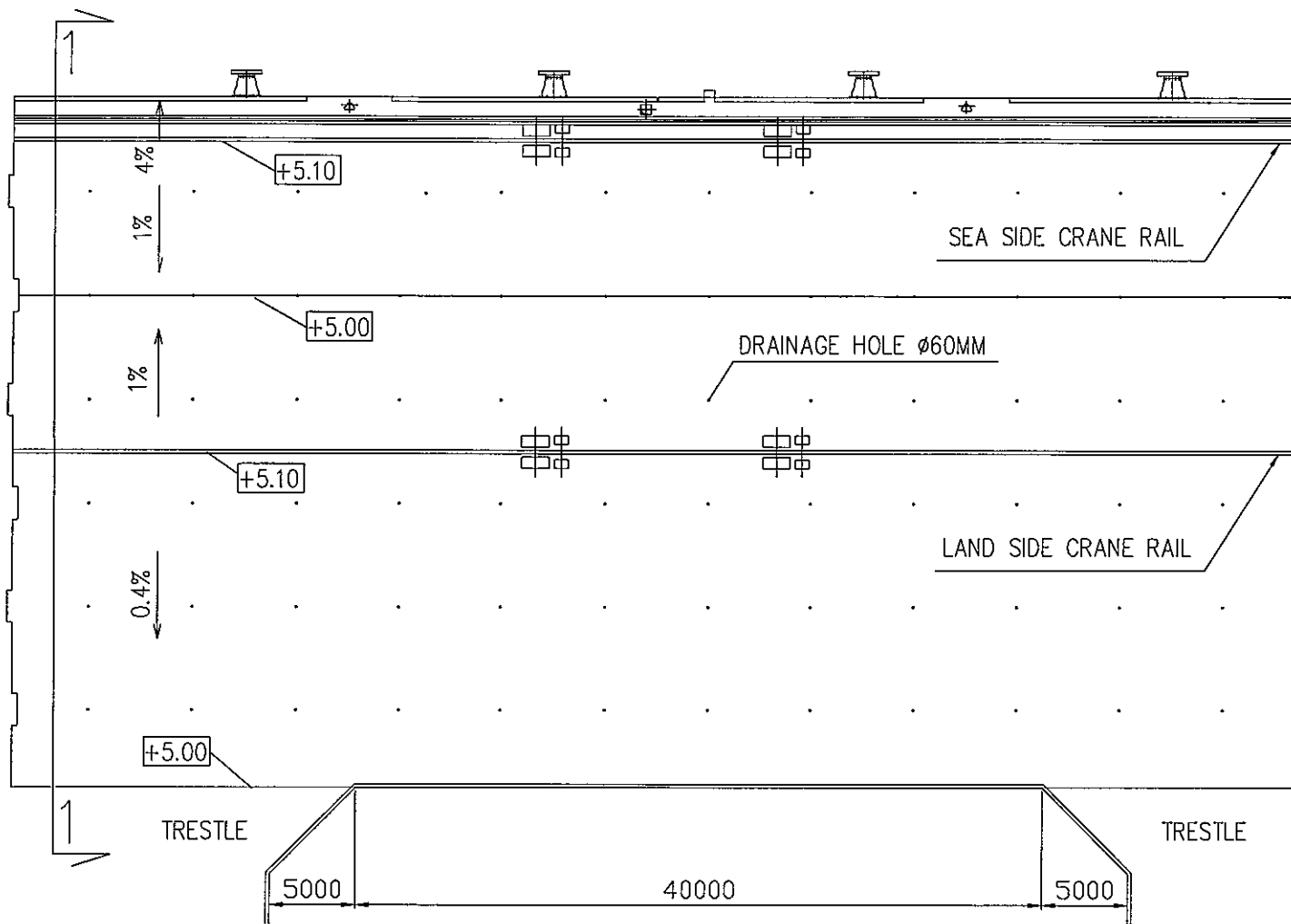
KEY PLAN



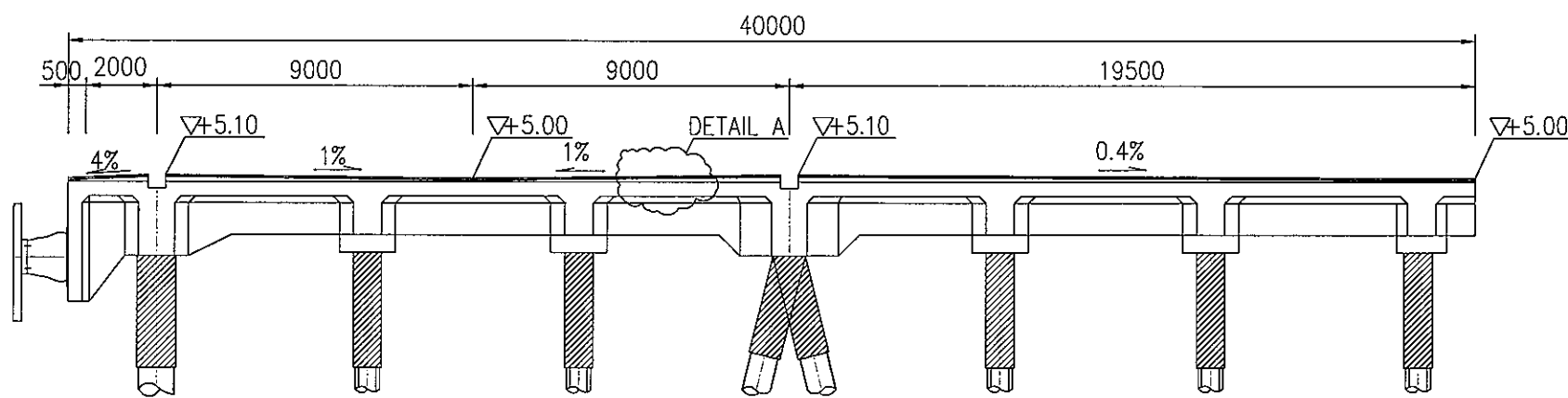
NOTES:

- DIMENSIONS ARE IN [MM].
- ELEVATION ARE IN [M]- CHART DATUM.
- LADDER TYPE 1 WILL BE INSTALLED AT THE FACE LINE OF BERTH.
- LADDER TYPE 2 WILL BE INSTALLED AT THE EDGE LINE OF BERTH.
- (*) (L11) : STANDARD PRODUCT
- ALL STEEL IS GALVALINIZED BY ZINC.

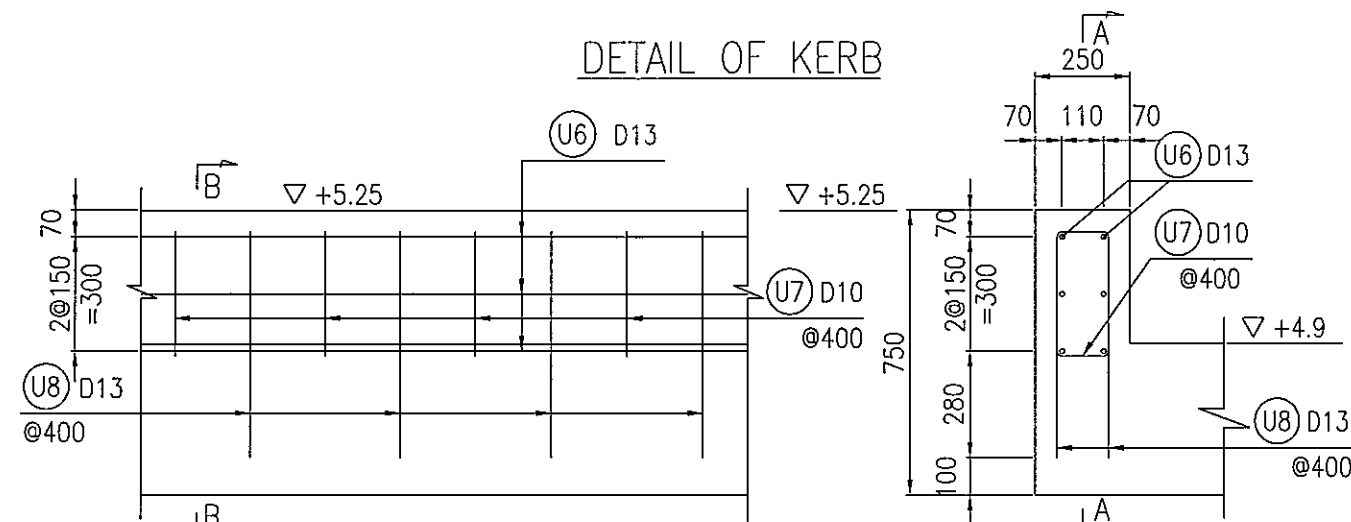
THE SOCIALIST REPUBLIC OF VIETNAM MINISTRY OF TRANSPORT PROJECT MANAGEMENT UNIT 85					CAI MEP - THI VAI INTERNATIONAL PORT CONSTRUCTION PROJECT			DESIGNED BY: TRAN KHANH HUNG		SECTION: CIVIL WORKS	
JAPAN INTERNATIONAL COOPERATION AGENCY ASSIGNED TO: JAPAN PORT CONSULTANT (JPC) PACIFIC CONSULTANTS INTERNATIONAL (PCI) INTERNATIONAL DEVELOPMENT SYSTEM (IDS)					PACKAGE 2 CONSTRUCTION OF PORT FACILITIES AND BUILDINGS FOR THI VAI AREA			DRAWN BY: NGUYEN T. K. DIEM		SUB-SECTION: QUAY FACILITY	
								CHECKED BY: YOSHIDA Y.		TITLE OF DRAWING: DETAIL OF LADDER [2]	
								APPROVED BY: NAGAI K.		DWG NO: PAC2-TV-QAF- 103	
								ISSUE DATE: 13/SEP/2005		REV. NO	
								SCALE: 1/25			



PLAN OF PAVEMENT OF BLOCK 2
SC=1/400

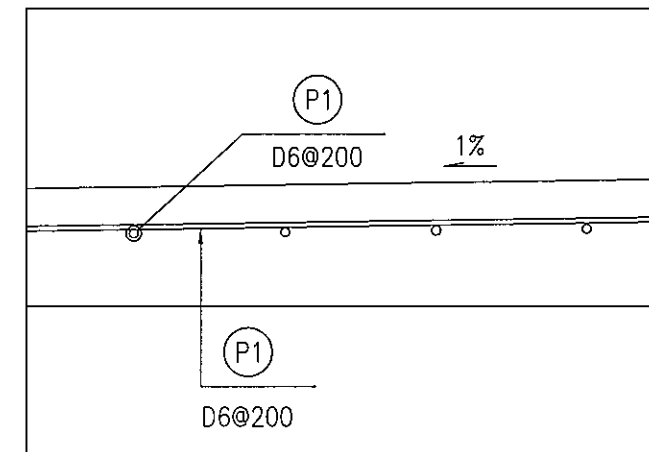


SECTION 1-1
SC=1/200



SECTION A-A
SC=1/20

SECTION B-B
SC=1/20



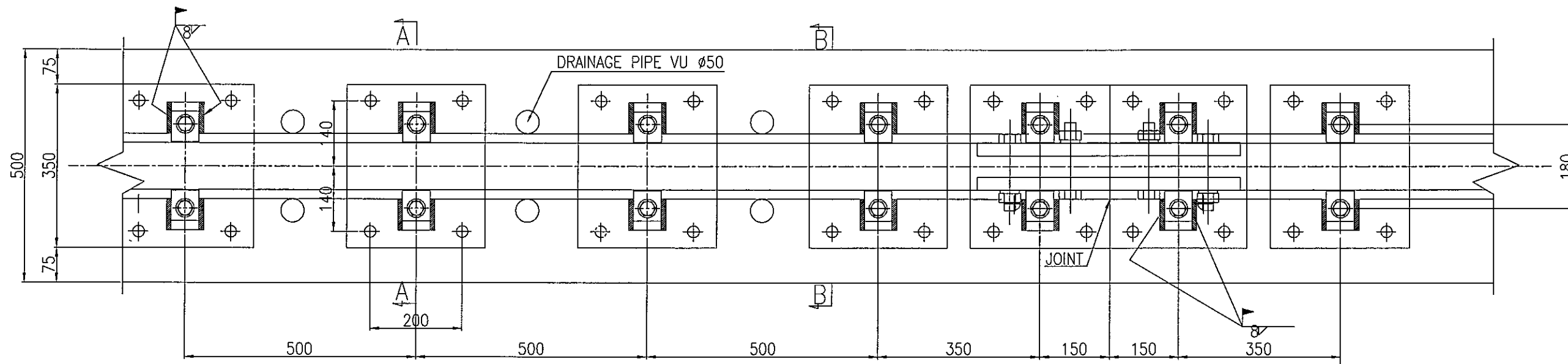
DETAIL A
SC=1/10

NOTES:

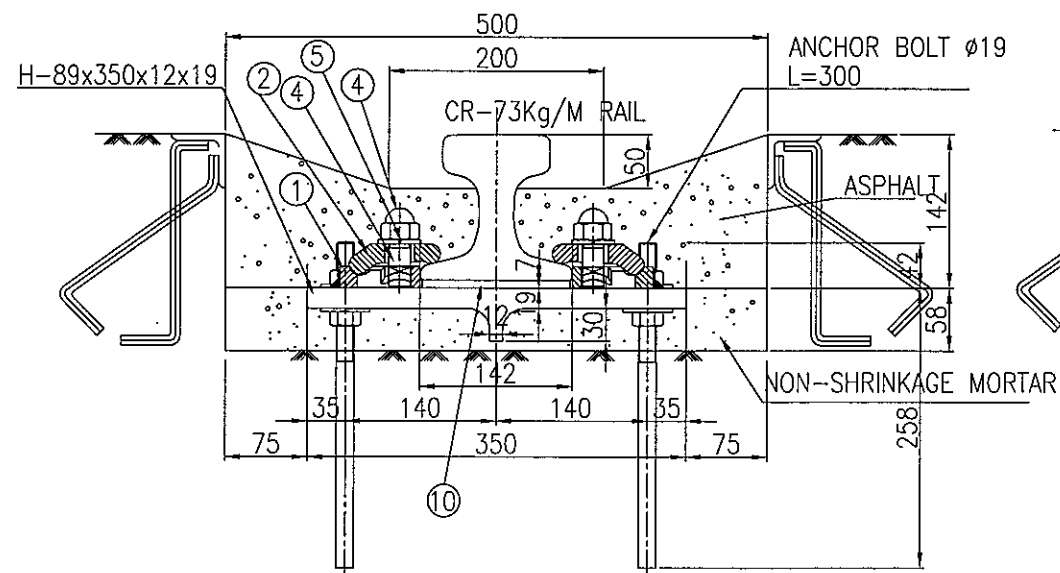
- DIMENSIONS ARE IN [MM].
- ELEVATIONS ARE IN [M].

					THE SOCIALIST REPUBLIC OF VIETNAM MINISTRY OF TRANSPORT PROJECT MANAGEMENT UNIT 85		CAI MEP - THI VAI INTERNATIONAL PORT CONSTRUCTION PROJECT		DESIGNED BY: TRAN KHANH HUNG		SECTION: CIVIL WORKS	
					JAPAN INTERNATIONAL COOPERATION AGENCY ASSIGNED TO: JAPAN PORT CONSULTANT (JPC)		PACKAGE 2 CONSTRUCTION OF PORT FACILITIES AND BUILDINGS FOR THI VAI AREA		DRAWN BY: NGUYEN T. K. DIEM		SUB-SECTION: QUAY FACILITY	
					PACIFIC CONSULTANTS INTERNATIONAL (PCI) INTERNATIONAL DEVELOPMENT SYSTEM (IDS)				CHECKED BY: YOSHIDA Y.		TITLE OF DRAWING: DETAIL OF PAVEMENT AND KERB	
									APPROVED BY: NAGAI K.		DWG NO: PAC2-TV-QAF-104	
REV NO	DATE	DESCRIPTION	BY	APP					ISSUE DATE: 15/SEP/2005			
									SCALE: 1/400, 1/200, 1/10			

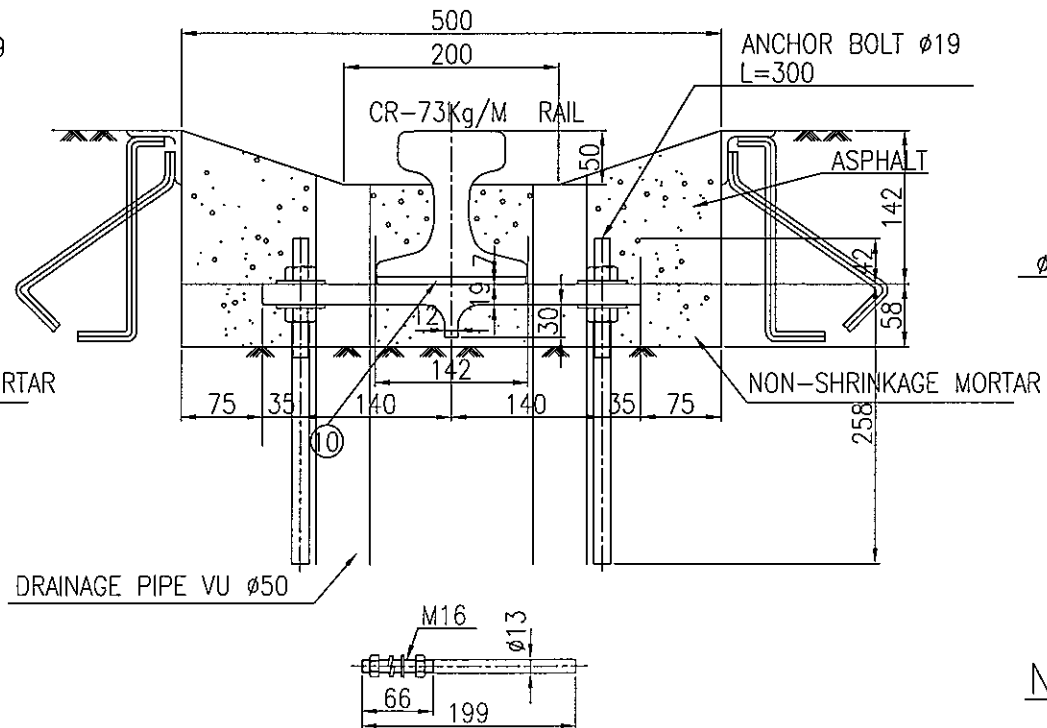
PLAN OF FIXING DEVICE OF CRANE RAIL



SECTION A-A
SC=1/7

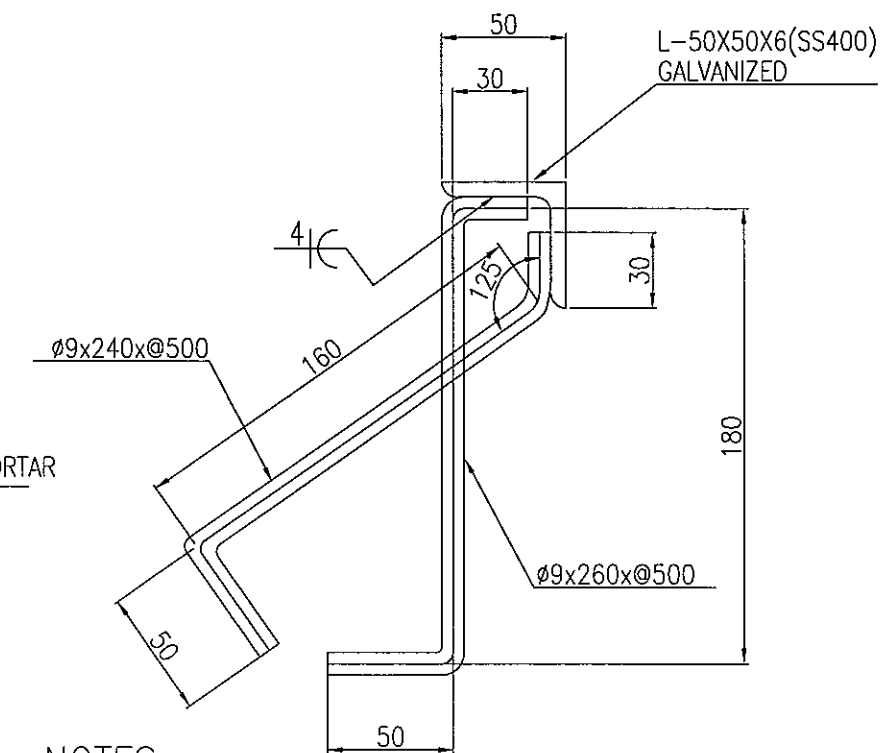


SECTION B-B
SC=1/7



DETAIL OF CORNER PLATE OF CRANE PIT

SC=1/3

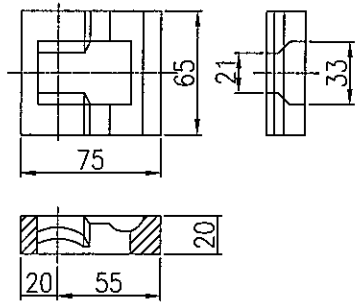


NOTES:

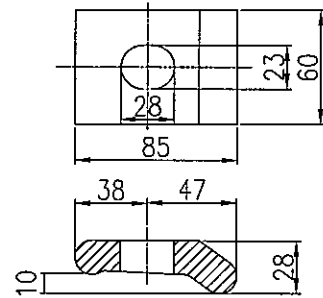
- REFER TO PATIAL VIEW REGARDING O NO
- CRANE RAIL SHALL BE CONNECTED TO AN EARTHING SYSTEM

		THE SOCIALIST REPUBLIC OF VIETNAM MINISTRY OF TRANSPORT PROJECT MANAGEMENT UNIT 85		CAI MEP - THI VAI INTERNATIONAL PORT CONSTRUCTION PROJECT PACKAGE 2 CONSTRUCTION OF PORT FACILITIES AND BUILDINGS FOR THI VAI AREA		DESIGNED BY: TRAN KHANH HUNG DRAWN BY: VU THI HANG CHECKED BY: YOSHIDA Y. APPROVED BY: NAGALK. ISSUE DATE: 15/SEP/2005 SCALE: 1/10, 1/7, 1/3	SECTION: CIVIL WORKS SUB-SECTION: QUAY FACILITIES TITLE OF DRAWING: DETAIL OF CRANE RAIL [1] DWG NO: PAC2-TV-QAF-105	REV. NO
REV NO	DATE	DESCRIPTION	BY	APP	JICA JAPAN INTERNATIONAL COOPERATION AGENCY ASSIGNED TO: JAPAN PORT CONSULTANT (JPC) PACIFIC CONSULTANTS INTERNATIONAL (PCI) INTERNATIONAL DEVELOPMENT SYSTEM (IDS)			

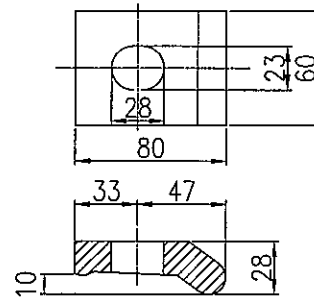
① BOLT HOLDER S=1/4



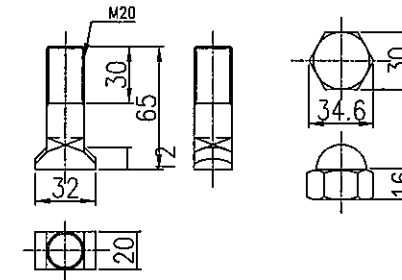
② RAIL CLIP (STANDARD) S=1/4



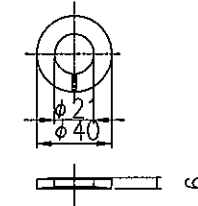
③ RAIL CLIP (JOINT) S=1/4



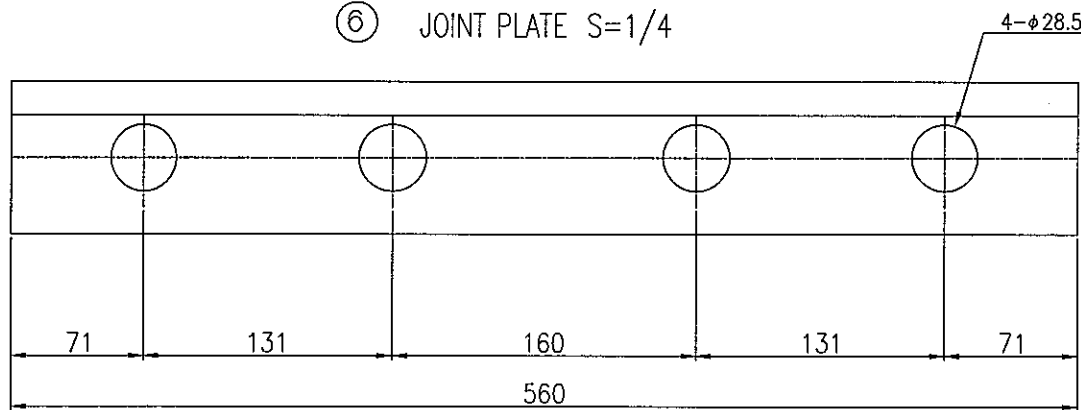
④ T SHPE BOLT · NUT S=1/4



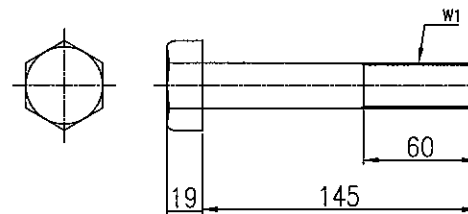
⑤ SPRING WASHER S=1/4



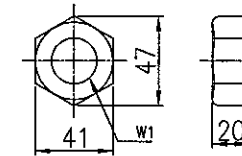
⑥ JOINT PLATE S=1/4



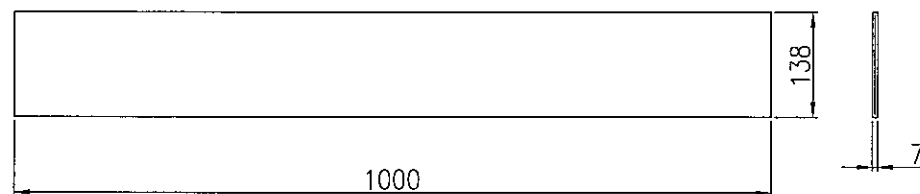
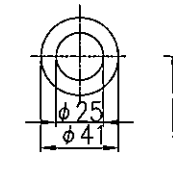
⑦ BOLT FOR JOINT S=1/4



⑧ NUT FOR JOINT S=1/4



⑨ SPRING WASHER FOR JOINT S=1/4

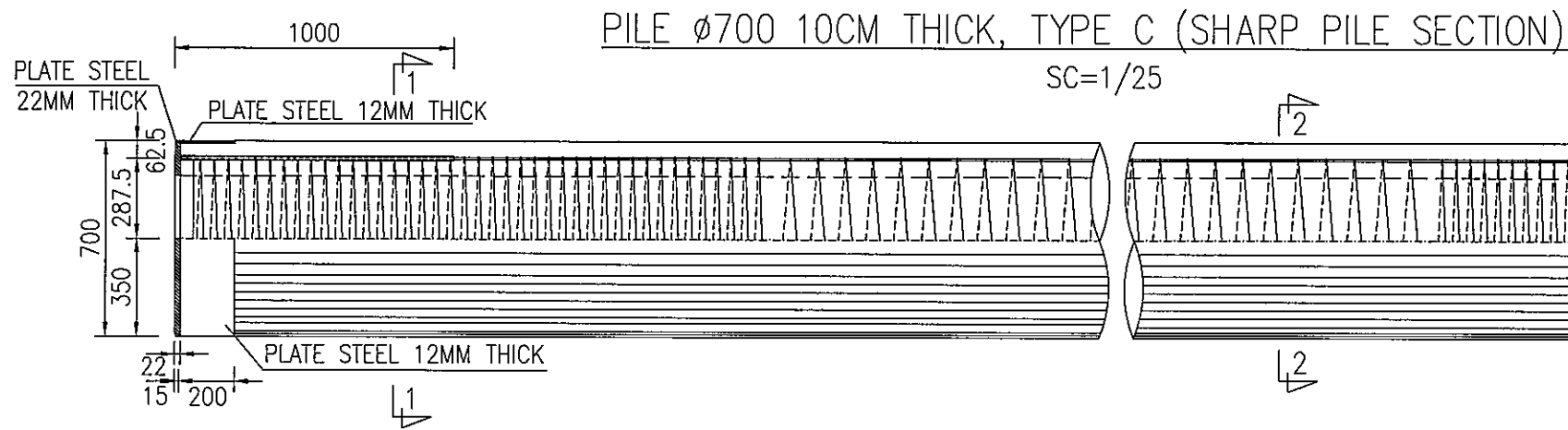
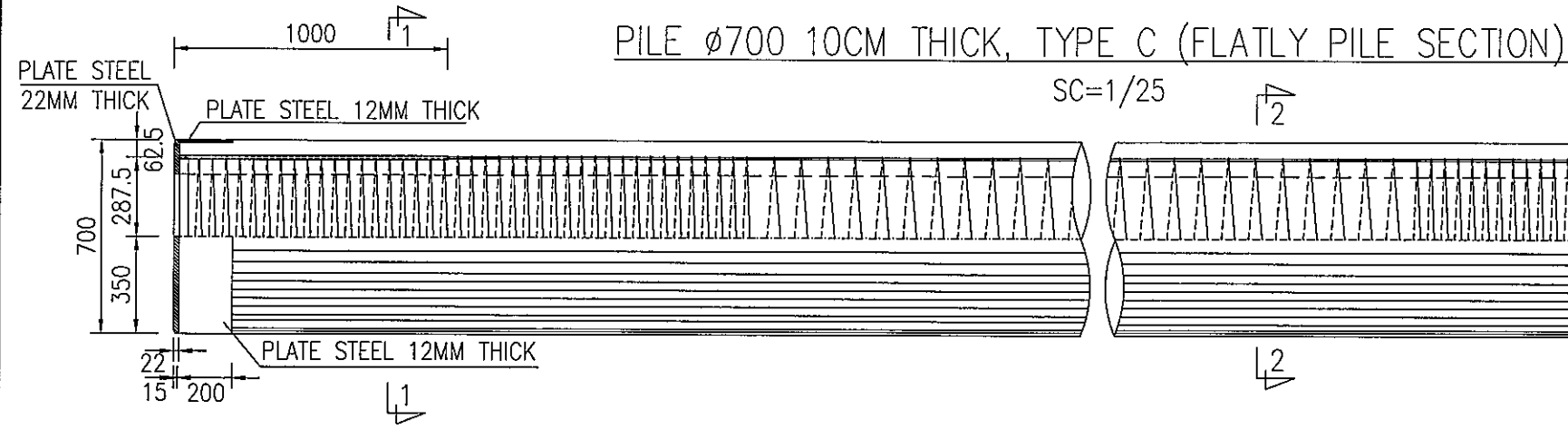


⑩ RAIL PAD S=1/10

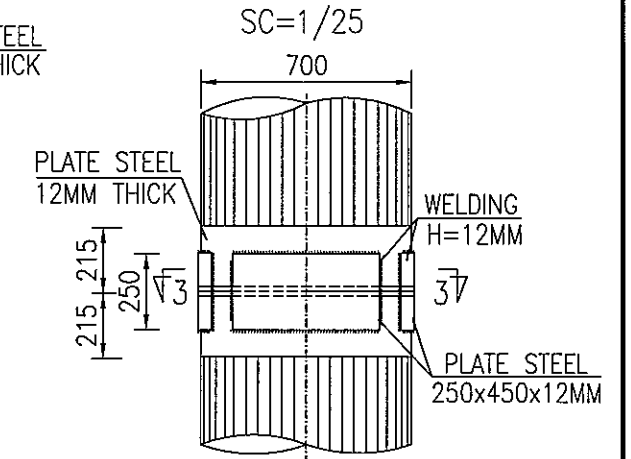
TABLE OF QUNATY (25m)

NO.	ITEMS	GRADE	QUANTITY	REMARKS
1	BOLT HOLDER	S45C	105 N	GALVANIZED
2	RAIL CLIP (S)	SS400	101 N	GALVANIZED
3	RAIL CLIP (J)	SS400	4 N	GALVANIZED
4	T SHAPE BOLT · NUT	S45C	105 N	GALVANIZED
5	SPRING WASHER	SWRH57~72	105 N	GALVANIZED
6	JOINT PLATE	S35C	2 SET	GALVANIZED
7	BOLT FOR JOINT	S45C	8 N	GALVANIZED
8	NUT FOR JOINT	SS400	8 N	
9	SPRING WASHER (J)	SWRH57~72	8 P	GALVANIZED
10	RAIL PADL = 1000	SBR RUBBER	25 P	

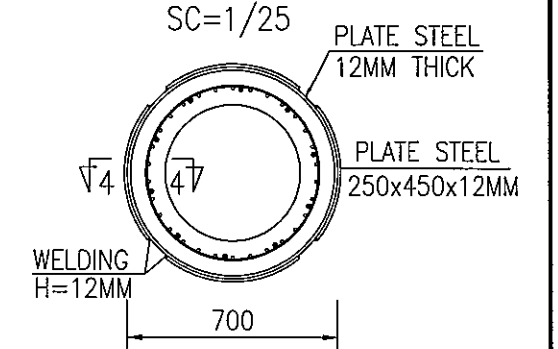
<p>THE SOCIALIST REPUBLIC OF VIETNAM MINISTRY OF TRANSPORT PROJECT MANAGEMENT UNIT 85</p>					<p>CAI MEP - THI VAI INTERNATIONAL PORT CONSTRUCTION PROJECT</p>					<p>DESIGNED BY: TRAN KHANH HUNG DRAWN BY: VU THI HANG CHECKED BY: YOSHIDA Y. APPROVED BY: NAGAI K. ISSUE DATE: 15/SEP/2005 SCALE: 1/10, 1/4</p>					<p>SECTION: CIVIL WORKS SUB-SECTION: QUAY FACILITIES TITLE OF DRAWING: DETAIL OF CRANE RAIL [2] DWG NO: PAC2-TV-QAF-106 REV. NO</p>				
<p>JICA JAPAN INTERNATIONAL COOPERATION AGENCY ASSIGNED TO: JAPAN PORT CONSULTANT (JPC) PACIFIC CONSULTANTS INTERNATIONAL (PCI) INTERNATIONAL DEVELOPMENT SYSTEM (IDS)</p>					<p>PACKAGE 2 CONSTRUCTION OF PORT FACILITIES AND BUILDINGS FOR THI VAI AREA</p>														
REV NO	DATE	DESCRIPTION	BY	APP															



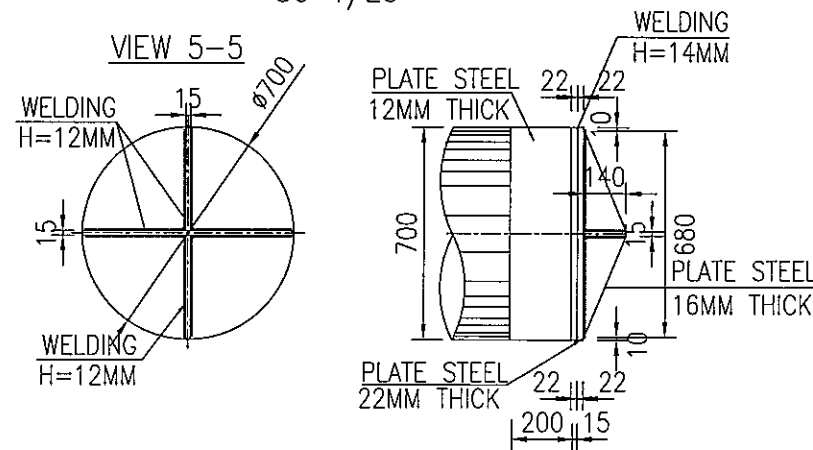
DETAIL OF PILE CONNECTION



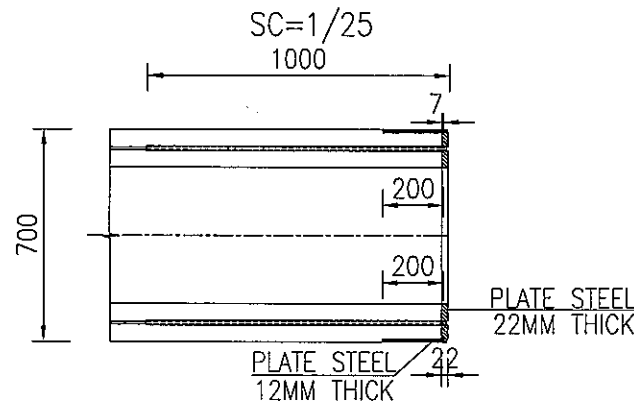
SECTION 3-3



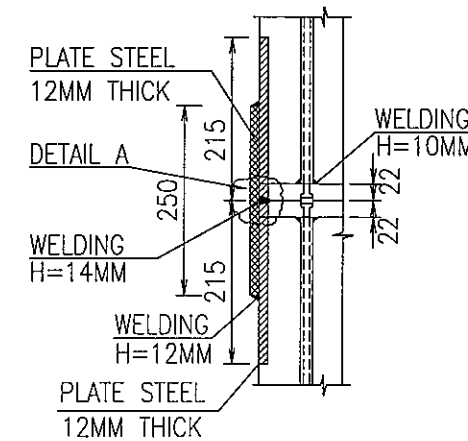
DETAIL OF THE TIP PILE
SC=1/25



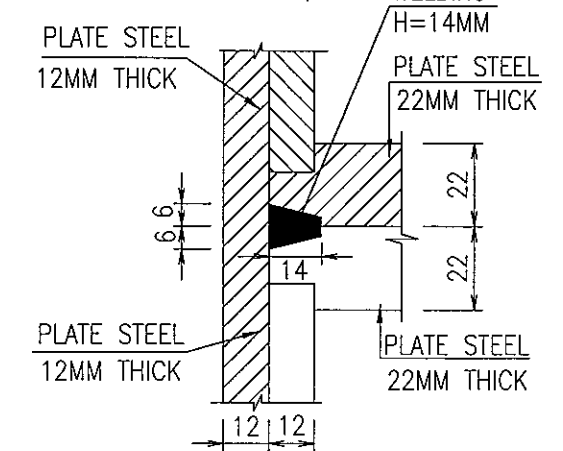
DETAIL OF THE TOP PILE
SC=1/25



SECTION 4-4
SC=1/10



DETAIL A
SC=1/2



NOTES:

- DIMENSIONS ARE IN [MM].

THE SOCIALIST REPUBLIC OF VIETNAM
MINISTRY OF TRANSPORT
PROJECT MANAGEMENT UNIT 85

JICA
JAPAN INTERNATIONAL COOPERATION AGENCY
ASSIGNED TO:
JAPAN PORT CONSULTANT (JPC)
PACIFIC CONSULTANTS INTERNATIONAL (PCI)
INTERNATIONAL DEVELOPMENT SYSTEM (IDS)

CAI MEP - THI VAI INTERNATIONAL PORT
CONSTRUCTION PROJECT

PACKAGE 2
CONSTRUCTION OF PORT FACILITIES AND BUILDINGS FOR
THI VAI AREA

DESIGNED BY: TRAN KHANH HUNG
DRAWN BY: NGUYEN T. K. DIEM
CHECKED BY: YOSHIDA Y.
APPROVED BY: NAGAI K.
ISSUE DATE: 13/SEP/2005
SCALE: 1/25, 1/10, 1/2

SECTION: CIVIL WORKS
SUB-SECTION: QUAY FACILITY
TITLE OF DRAWING: DETAIL OF P.C PILE

DWG NO: PAC2-TV-QAF-108

REV. NO

REV NO	DATE	DESCRIPTION	BY	APP