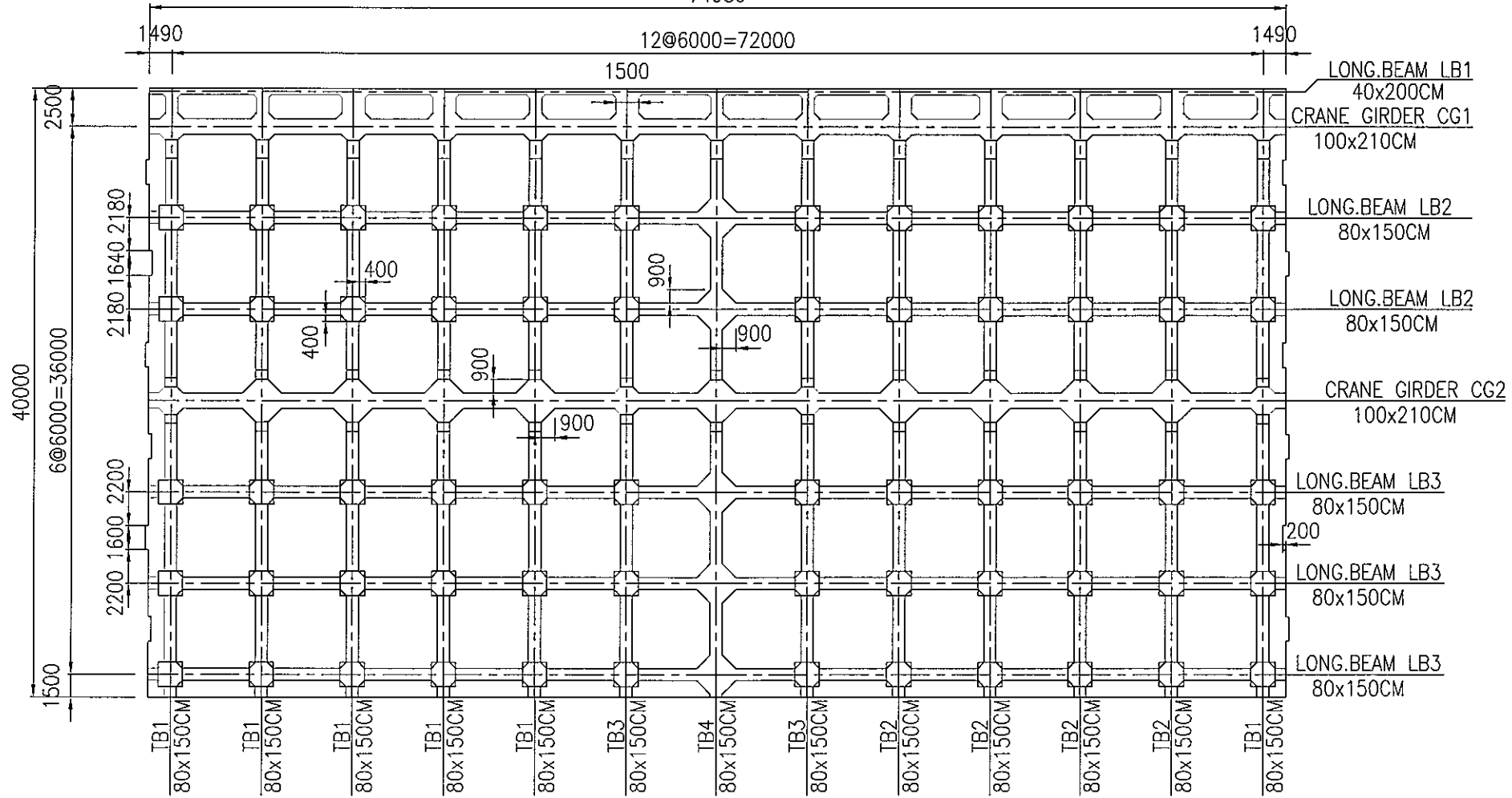


KEY PLAN

LAYOUT OF BEAMS OF BLOCK 5

SC=1/400

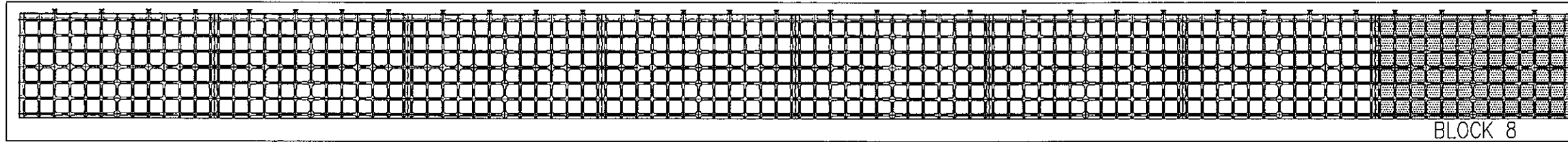
74980



NOTES:

- DIMENSIONS ARE IN [MM].

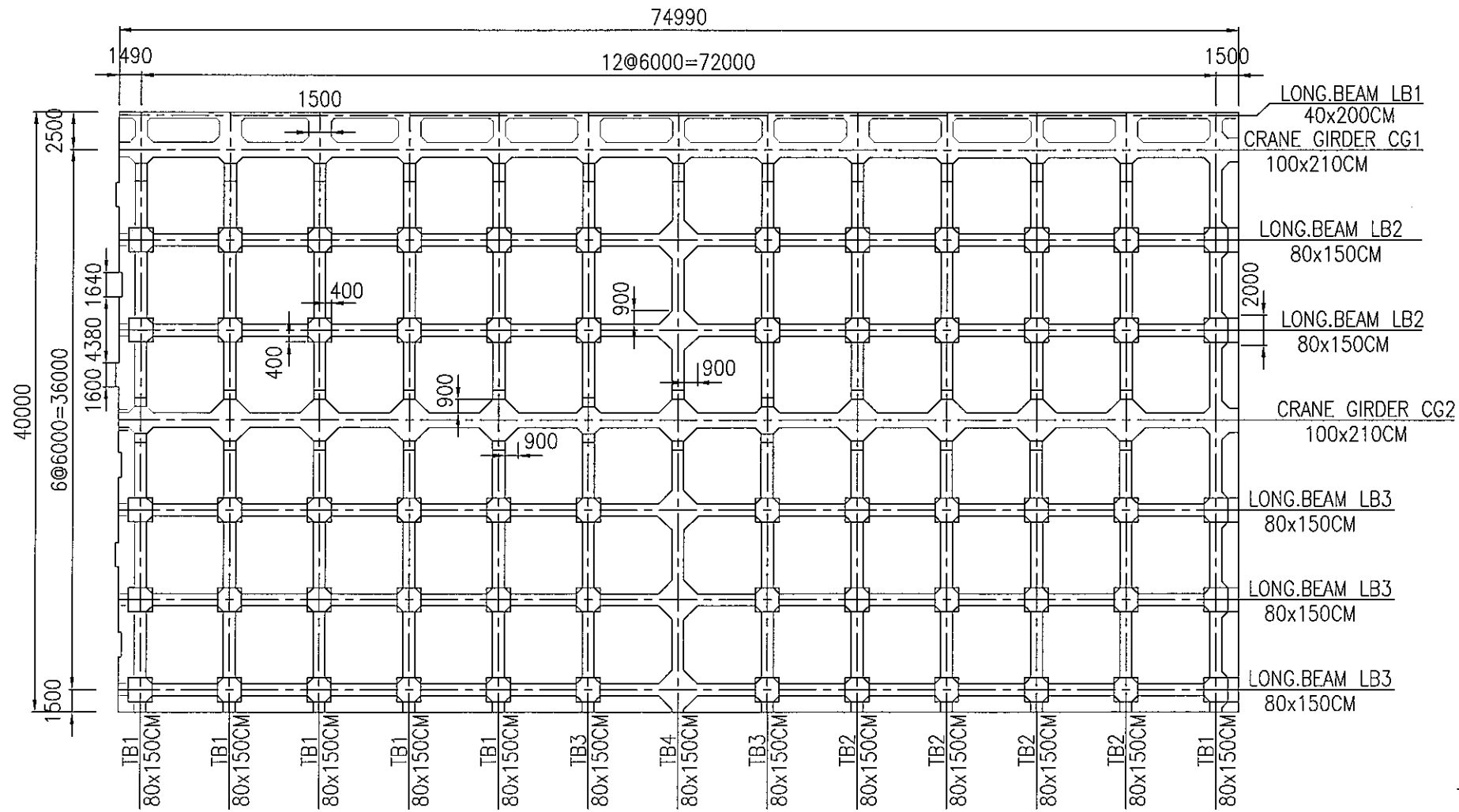
	<p>THE SOCIALIST REPUBLIC OF VIETNAM MINISTRY OF TRANSPORT PROJECT MANAGEMENT UNIT 85</p>	<p>CAI MEP - THI VAI INTERNATIONAL PORT CONSTRUCTION PROJECT</p>	<p>DESIGNED BY: BUI AN LOC</p> <p>DRAWN BY: NGUYEN T. K. DIEM</p> <p>CHECKED BY: YOSHIDA Y.</p> <p>APPROVED BY: NAGAI K.</p> <p>ISSUE DATE: 13/SEP/2005</p> <p>SCALE: 1/400</p>	<p>SECTION: CIVIL WORKS</p> <p>SUB-SECTION: QUAY FACILITY</p> <p>TITLE OF DRAWING: LAYOUT OF BEAM FOR BLOCK 5</p> <p>DWG NO: PAC2-TV-QAF- 021</p> <p>REV. NO</p>
<p>JICA</p> <p>JAPAN INTERNATIONAL COOPERATION AGENCY ASSIGNED TO: JAPAN PORT CONSULTANT (JPC) PACIFIC CONSULTANTS INTERNATIONAL (PCI) INTERNATIONAL DEVELOPMENT SYSTEM (IDS)</p>	<p>PACKAGE 2 CONSTRUCTION OF PORT FACILITIES AND BUILDINGS FOR THI VAI AREA</p>			
<p>DESCRIPTION</p>	<p>BY</p>	<p>APP</p>		



KEY PLAN

LAYOUT OF BEAMS OF BLOCK 8

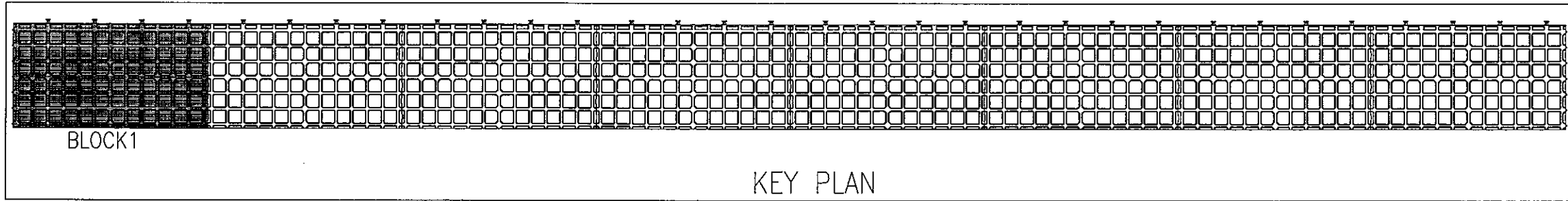
SC=1/400



NOTES:

- DIMENSIONS ARE IN [MM].

			<p>THE SOCIALIST REPUBLIC OF VIETNAM MINISTRY OF TRANSPORT PROJECT MANAGEMENT UNIT 85</p>		<p>CAI MEP - THI VAI INTERNATIONAL PORT CONSTRUCTION PROJECT</p>		<p>DESIGNED BY: BUI AN LOC</p>		<p>SECTION: CIVIL WORKS</p>	
			<p>JICA JAPAN INTERNATIONAL COOPERATION AGENCY ASSIGNED TO: JAPAN PORT CONSULTANT (JPC) PACIFIC CONSULTANTS INTERNATIONAL (PCI) INTERNATIONAL DEVELOPMENT SYSTEM (IDS)</p>		<p>PACKAGE 2 CONSTRUCTION OF PORT FACILITIES AND BUILDINGS FOR THI VAI AREA</p>		<p>DRAWN BY: NGUYEN T. K. DIEM</p>		<p>SUB-SECTION: QUAY FACILITY</p>	
							<p>CHECKED BY: YOSHIDA Y.</p>		<p>TITLE OF DRAWING: LAYOUT OF BEAM FOR BLOCK 8</p>	
							<p>APPROVED BY: NAGAI K.</p>		<p>DWG NO: PAC2-TV-QAF -022</p>	
<p>DESCRIPTION</p>			<p>BY</p>		<p>APP</p>		<p>ISSUE DATE: 15/SEP/2005</p>		<p>REV. NO</p>	
							<p>SCALE: 1/400</p>			



PILE ARRANGEMENT OF BLOCK 1

SC=1/400
74990

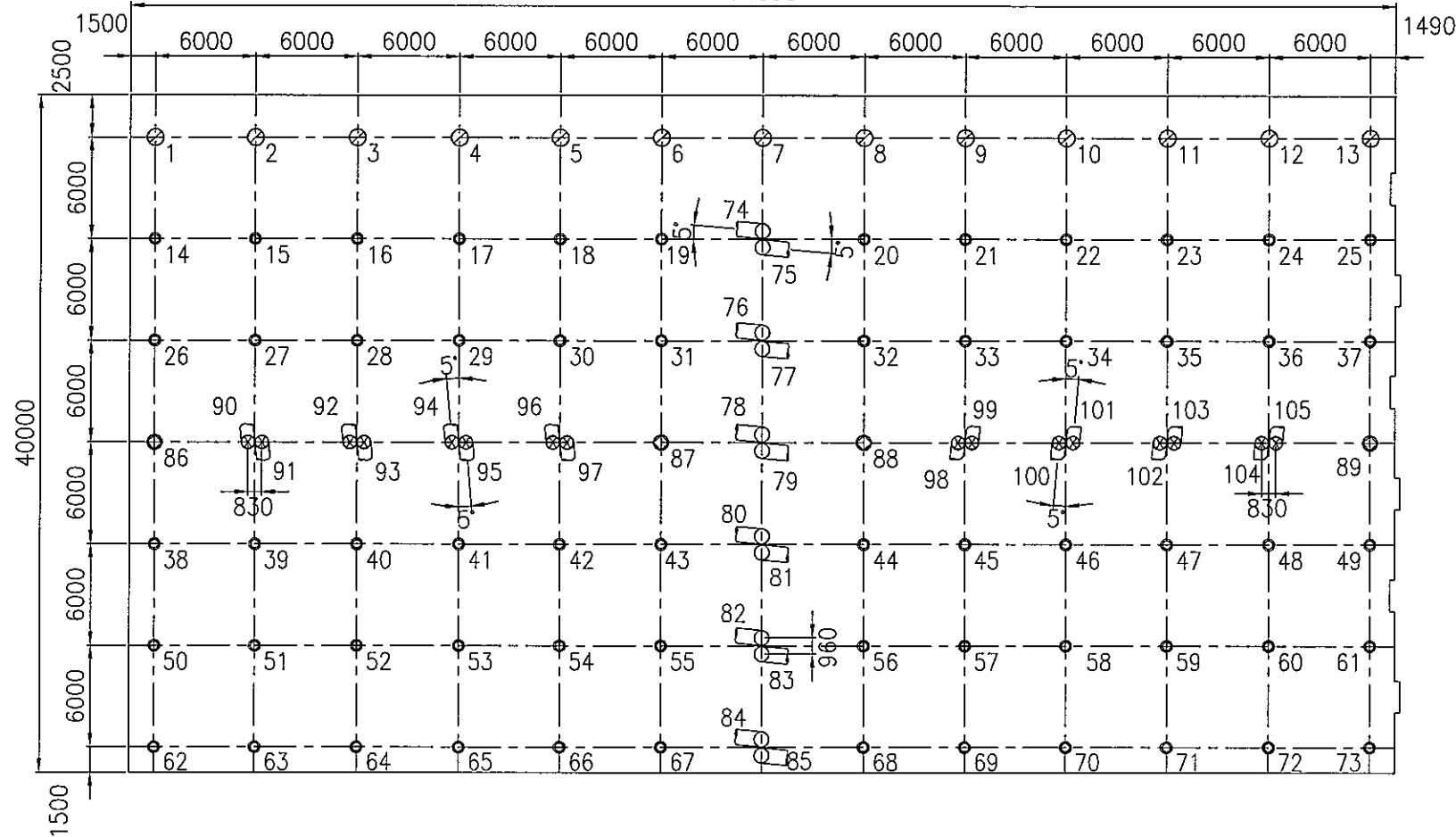


TABLE OF PILE'S DIMENSION

No	1E13	14E73	74E85	86E89	90E105
MATERIAL	STEEL	PC	STEEL	STEEL	STEEL
DIAMETER (MM)	1000	700	900	900	800
THICKNESS (MM)	12	100	12	12	12
TYPE	SKK490	C	SKK400	SKK490	SKK490
ANGLE OF INCLINATION	0	0	4:1	0	4:1
ANGLE OF ROTATION (DEGREE)	0	0	5	0	5
ELEVATION OF PILE TOP (M)	+4.30	+4.30	+4.40	+4.30	+4.20

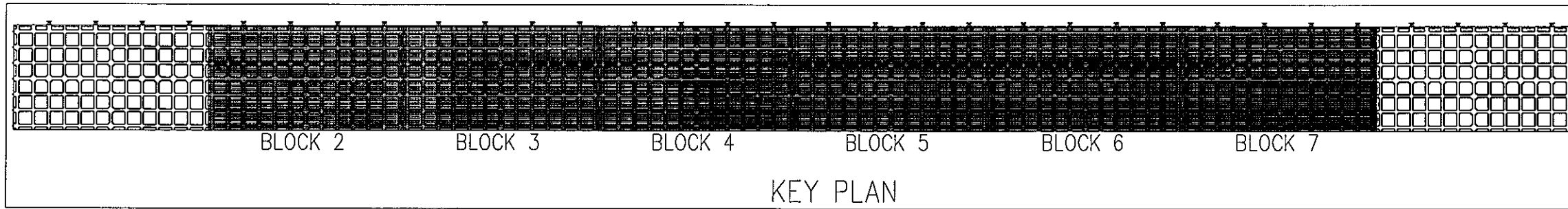
NOTES:

- DIMENSIONS ARE IN [MM].
- ELEVATIONS ARE IN METRES - CHART DATUM.

LEGENDS:

- ○ Ø1000 x t12 VERTICAL STEEL PILE
- □ Ø700 x t100 VERTICAL PC PILE
- ▭ Ø900 x t12 BATTERED STEEL PILE
- ○ Ø900 x t12 VERTICAL STEEL PILE
- ▭ Ø800 x t12 BATTERED STEEL PILE

		<p>THE SOCIALIST REPUBLIC OF VIETNAM MINISTRY OF TRANSPORT PROJECT MANAGEMENT UNIT 85</p>		<p>CAI MEP - THI VAI INTERNATIONAL PORT CONSTRUCTION PROJECT</p>		<p>DESIGNED BY: BUI AN LOC DRAWN BY: VU THI HANG CHECKED BY: YOSHIDA Y. APPROVED BY: NAGAI K. ISSUE DATE: 13/SEP/2005 SCALE: 1/400</p>		<p>SECTION: CIVIL WORKS SUB-SECTION: QUAY FACILITY TITLE OF DRAWING: PILE ARRANGEMENT OF BLOCK 1</p>	
		<p>JICA JAPAN INTERNATIONAL COOPERATION AGENCY ASSIGNED TO: JAPAN PORT CONSULTANT (JPC) PACIFIC CONSULTANTS INTERNATIONAL (PCI) INTERNATIONAL DEVELOPMENT SYSTEM (IDS)</p>		<p>PACKAGE 2 CONSTRUCTION OF PORT FACILITIES AND BUILDINGS FOR THI VAI AREA</p>				<p>DWG NO: PAC2-TV-QAF-023 REV. NO</p>	
DESCRIPTION	BY	APP							



PILE ARRANGEMENT OF BLOCK 2,3,4,5,6,7

SC= 1/400
74980

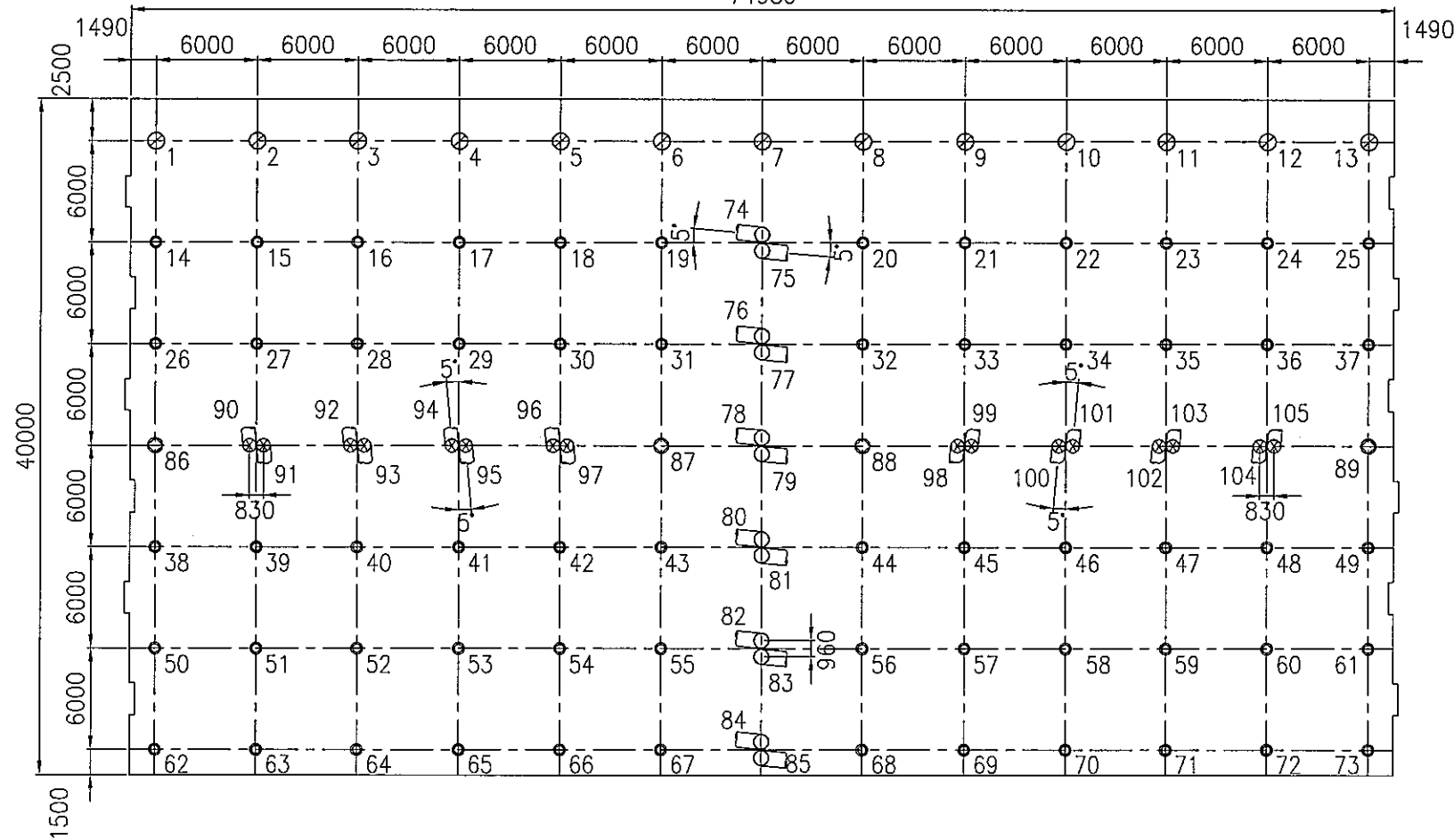


TABLE OF PILE'S DIMENSION

No	1E13	14E73	74E85	86E89	90E105
MATERIAL	STEEL	PC	STEEL	STEEL	STEEL
DIAMETER (MM)	1000	700	900	900	800
THICKNESS (MM)	12	100	12	12	12
TYPE	SKK490	C	SKK400	SKK490	SKK490
ANGLE OF INCLINATION	0	0	4:1	0	4:1
ANGLE OF ROTATION (DEGREE)	0	0	5	0	5
ELEVATION OF PILE TOP (M)	+4.30	+4.30	+4.40	+4.30	+4.20

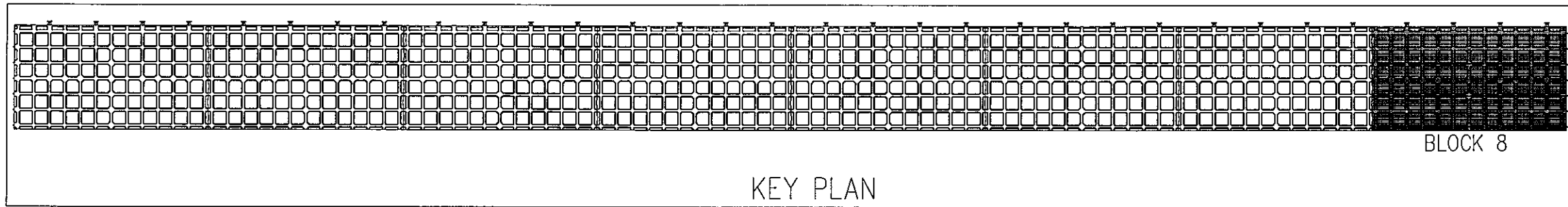
NOTES:

- DIMENSIONS ARE IN [MM].
- ELEVATIONS ARE IN METRES - CHART DATUM.

LEGENDS:

- ○ Ø1000 x t12 VERTICAL STEEL PILE
- □ Ø700 x t100 VERTICAL PC PILE
- ◻ ◻ Ø900 x t12 BATTERED STEEL PILE
- ○ ◻ Ø900 x t12 VERTICAL STEEL PILE
- ◻ ◻ Ø800 x t12 BATTERED STEEL PILE

			THE SOCIALIST REPUBLIC OF VIETNAM MINISTRY OF TRANSPORT PROJECT MANAGEMENT UNIT 85		CAI MEP - THI VAI INTERNATIONAL PORT CONSTRUCTION PROJECT		DESIGNED BY: BUI AN LOC DRAWN BY: VU THI HANG CHECKED BY: YOSHIDA Y. APPROVED BY: NAGAI K. ISSUE DATE: 15/SEP/2005 SCALE: 1/400		SECTION: CIVIL WORKS SUB-SECTION: QUAY FACILITY TITLE OF DRAWING: PILE ARRANGEMENT OF BLOCK 2,3,4,5,6,7		
			JICA JAPAN INTERNATIONAL COOPERATION AGENCY ASSIGNED TO: JAPAN PORT CONSULTANT (JPC) PACIFIC CONSULTANTS INTERNATIONAL (PCI) INTERNATIONAL DEVELOPMENT SYSTEM (IDS)		PACKAGE 2 CONSTRUCTION OF PORT FACILITIES AND BUILDINGS FOR THI VAI AREA				DWG NO: PAC2-TV-QAF-024 REV. NO		
DESCRIPTION	BY	APP									



PILE ARRANGEMENT OF BLOCK 8

SC= 1/400

74990

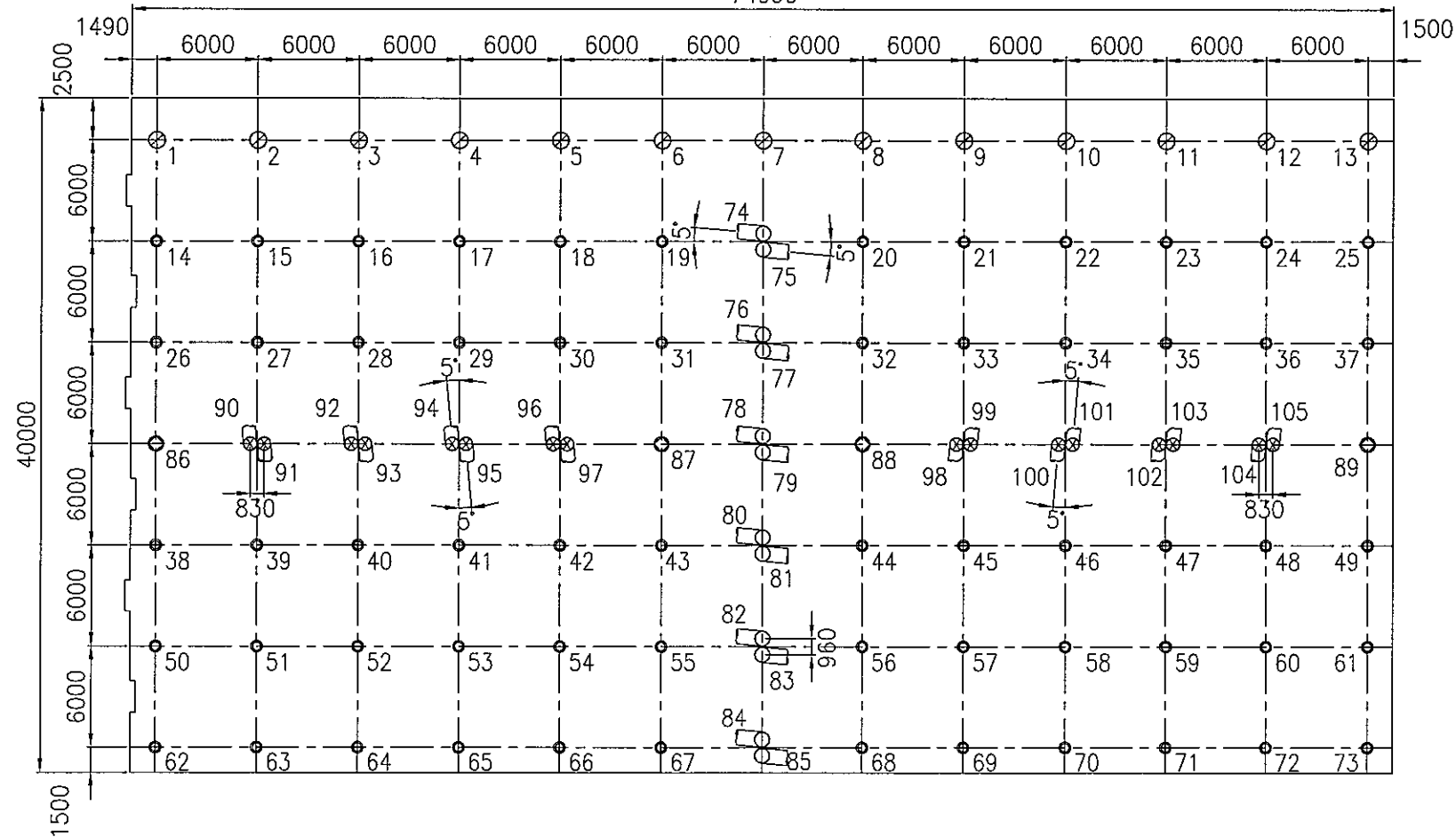


TABLE OF PILE'S DIMENSION

No	1E13	14E73	74E85	86E89	90E105
MATERIAL	STEEL	PC	STEEL	STEEL	STEEL
DIAMETER (MM)	1000	700	900	900	800
THICKNESS (MM)	12	100	12	12	12
TYPE	SKK490	C	SKK400	SKK490	SKK490
ANGLE OF INCLINATION	0	0	4:1	0	4:1
ANGLE OF ROTATION (DEGREE)	0	0	5	0	5
ELEVATION OF PILE TOP (M)	+4.30	+4.30	+4.40	+4.30	+4.20

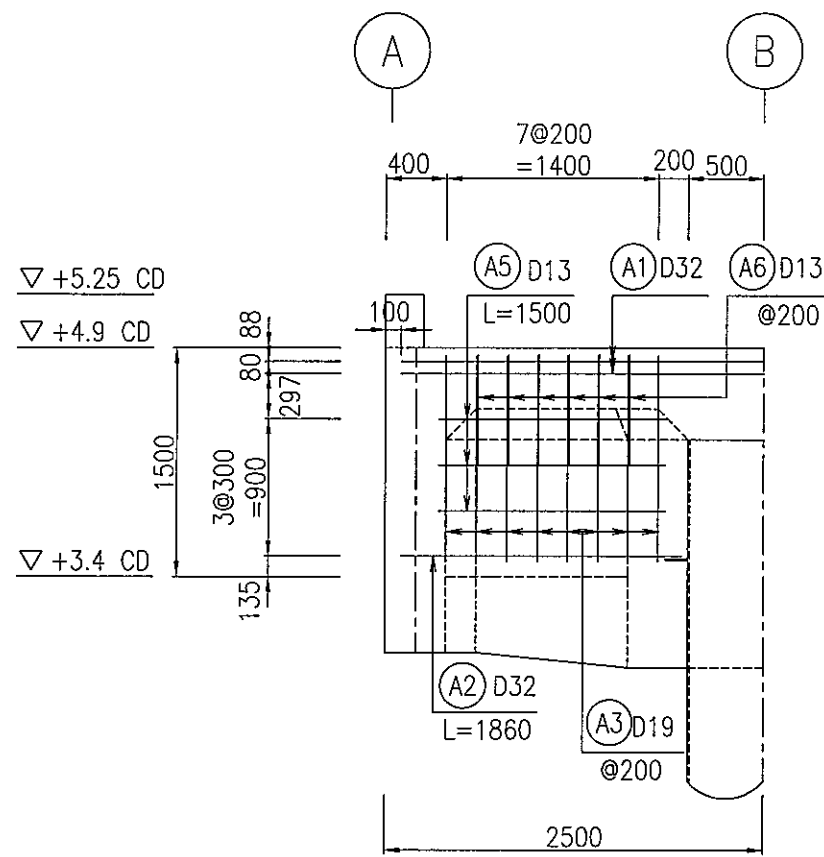
NOTES:

- DIMENSIONS ARE IN [MM].
- ELEVATIONS ARE IN METRES - CHART DATUM.

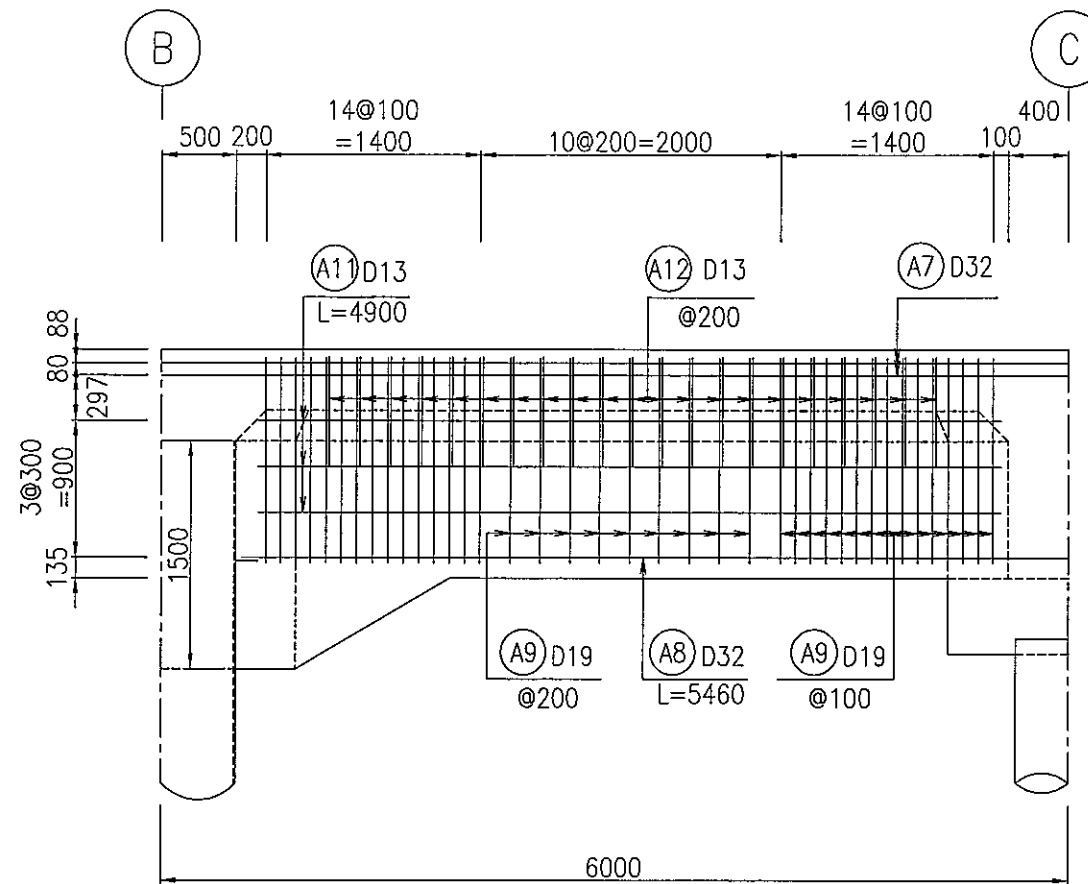
LEGENDS:

- ○ ϕ 1000 x t12 VERTICAL STEEL PILE
- ● ϕ 700 x t100 VERTICAL PC PILE
- □ ϕ 900 x t12 BATTERED STEEL PILE
- ○ ϕ 900 x t12 VERTICAL STEEL PILE
- □ ϕ 800 x t12 BATTERED STEEL PILE

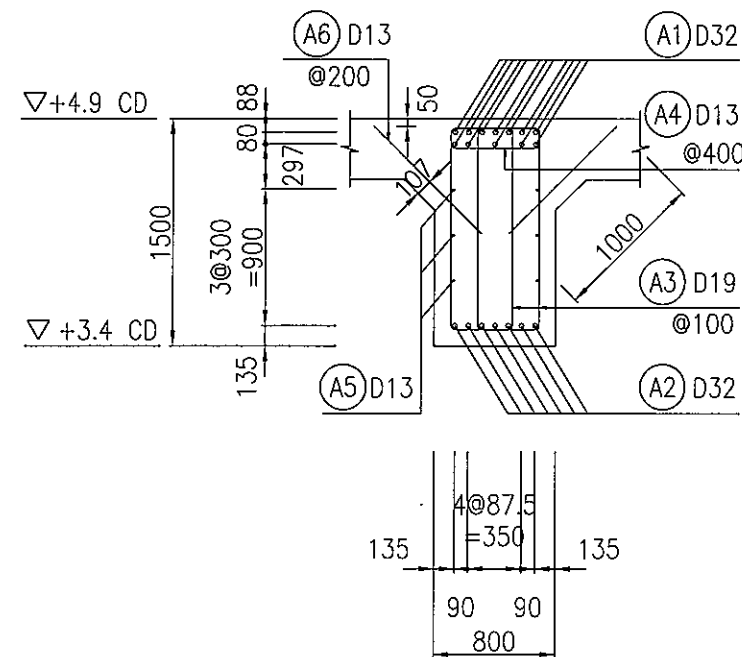
		THE SOCIALIST REPUBLIC OF VIETNAM MINISTRY OF TRANSPORT PROJECT MANAGEMENT UNIT 85		CAI MEP - THI VAI INTERNATIONAL PORT CONSTRUCTION PROJECT		DESIGNED BY: BUI AN LOC DRAWN BY: VU THI HANG CHECKED BY: YOSHIDA Y. APPROVED BY: NAGAI K. ISSUE DATE: 15/SEP/2005 SCALE: 1/400		SECTION: CIVIL WORKS SUB-SECTION: QUAY FACILITY TITLE OF DRAWING: PILE ARRANGEMENT OF BLOCK 8	
		JICA JAPAN INTERNATIONAL COOPERATION AGENCY ASSIGNED TO: JAPAN PORT CONSULTANT (JPC) PACIFIC CONSULTANTS INTERNATIONAL (PCI) INTERNATIONAL DEVELOPMENT SYSTEM (IDS)		PACKAGE 2 CONSTRUCTION OF PORT FACILITIES AND BUILDINGS FOR THI VAI AREA				DWG NO: PAC2-TV-QAF-025	
								REV. NO	



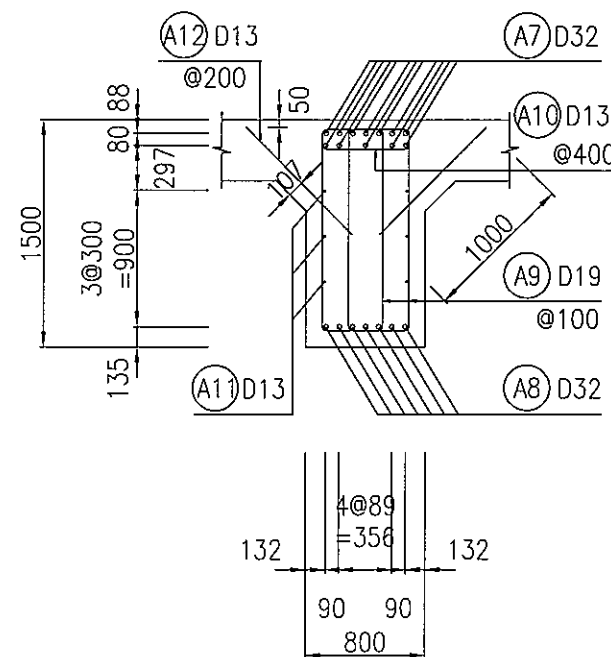
SECTION 1-1
SC=1/50



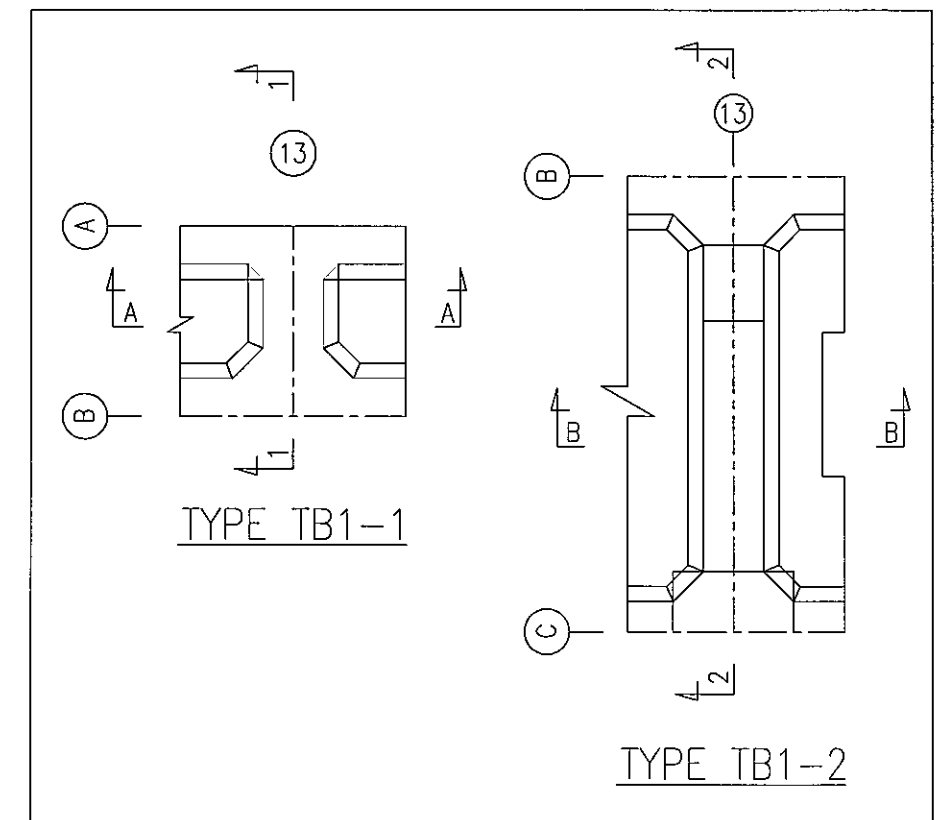
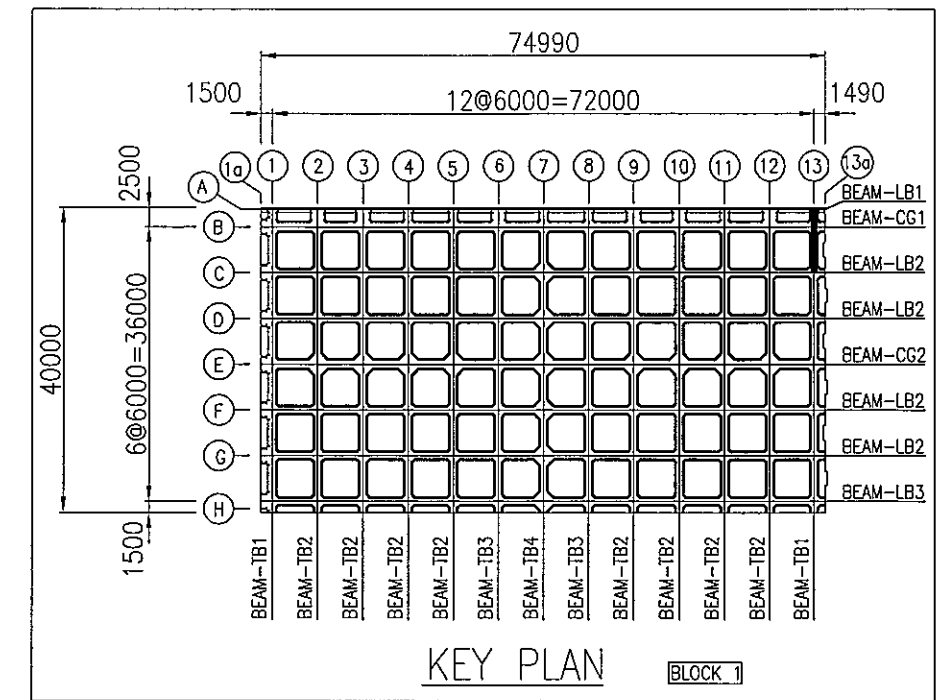
SECTION 2-2
SC=1/50



SECTION A-A
SC=1/50



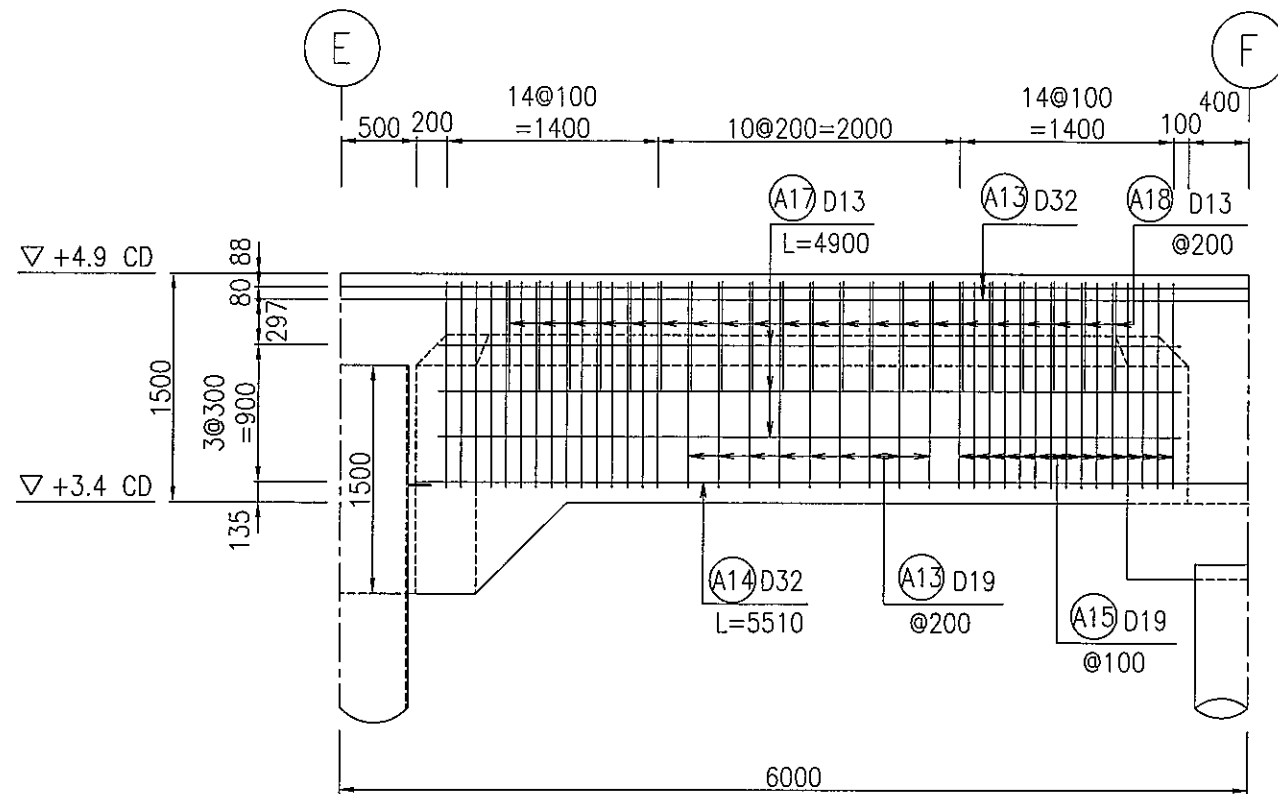
SECTION B-B
SC=1/50



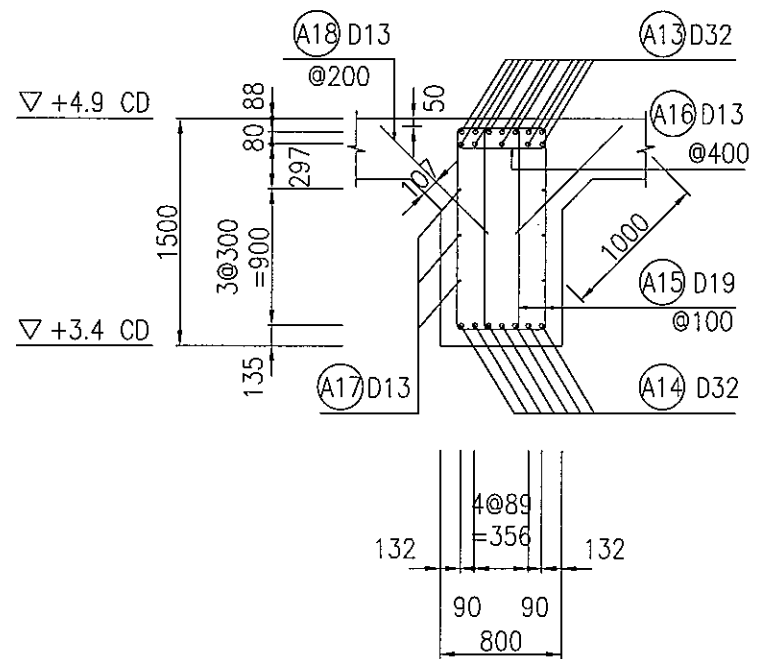
NOTES:

- DIMENSIONS ARE IN MILLIMETRES.
- ELEVATIONS ARE IN METRES - CHART DATUM.

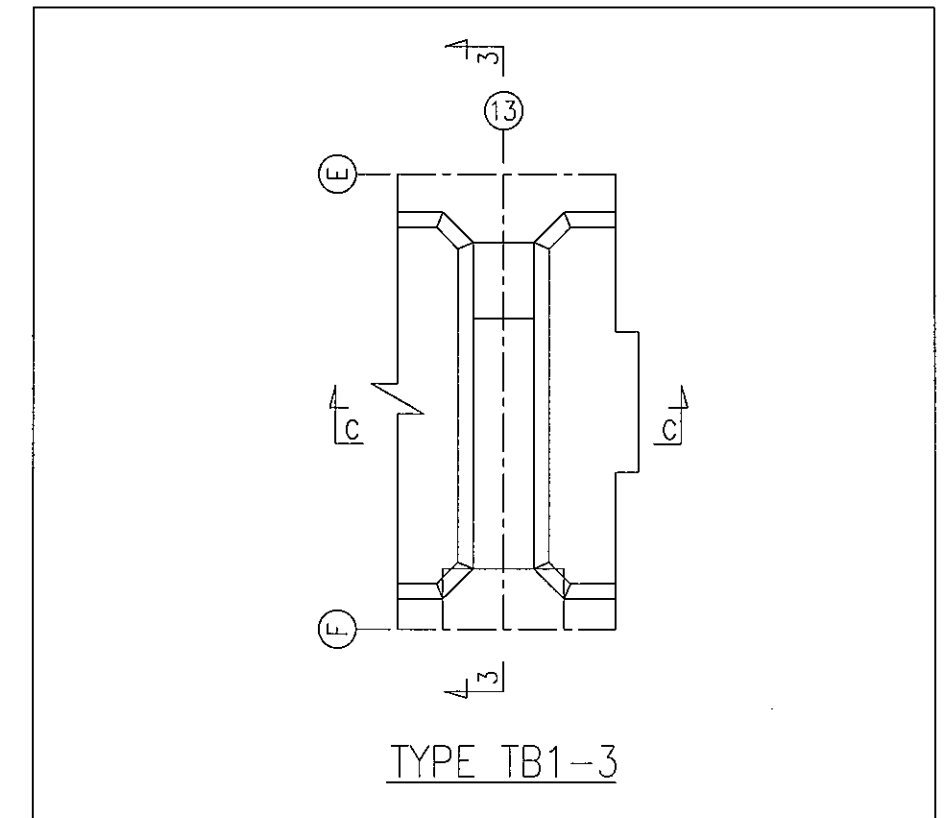
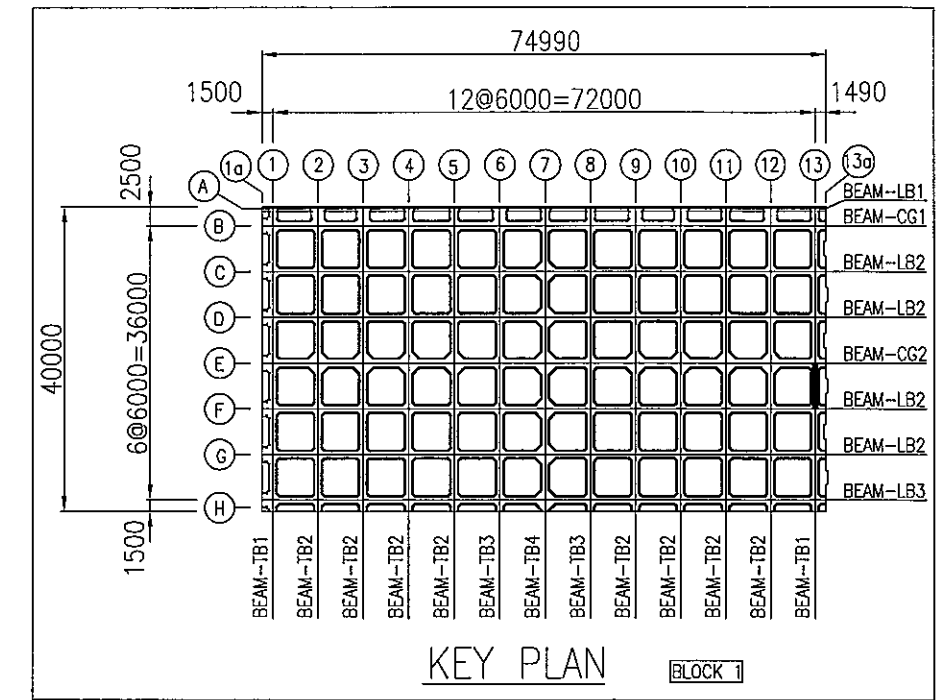
THE SOCIALIST REPUBLIC OF VIETNAM MINISTRY OF TRANSPORT PROJECT MANAGEMENT UNIT 85					CAI MEP - THI VAI INTERNATIONAL PORT CONSTRUCTION PROJECT		DESIGNED BY: BUI AN LOC		SECTION: CIVIL WORKS	
JAPAN INTERNATIONAL COOPERATION AGENCY ASSIGNED TO: JAPAN PORT CONSULTANT (JPC) PACIFIC CONSULTANTS INTERNATIONAL (PCI) INTERNATIONAL DEVELOPMENT SYSTEM (IDS)					PACKAGE 2 CONSTRUCTION OF PORT FACILITIES AND BUILDINGS FOR THI VAI AREA		DRAWN BY: P. T. THANH PHUONG		SUB-SECTION: QUAY FACILITY	
					APPROVED BY: NAGAI K.		CHECKED BY: YOSHIDA Y.		TITLE OF DRAWING: ARRANGMENT REINFORCEMENT OF BEAM TB1 [1]	
					SCALE: 1/50		APPROVED BY: NAGAI K.		DWG NO: PAC2-TV-QAF-026	
REV NO	DATE	DESCRIPTION	BY	APP					REV. NO	



SECTION 3-3
SC=1/50

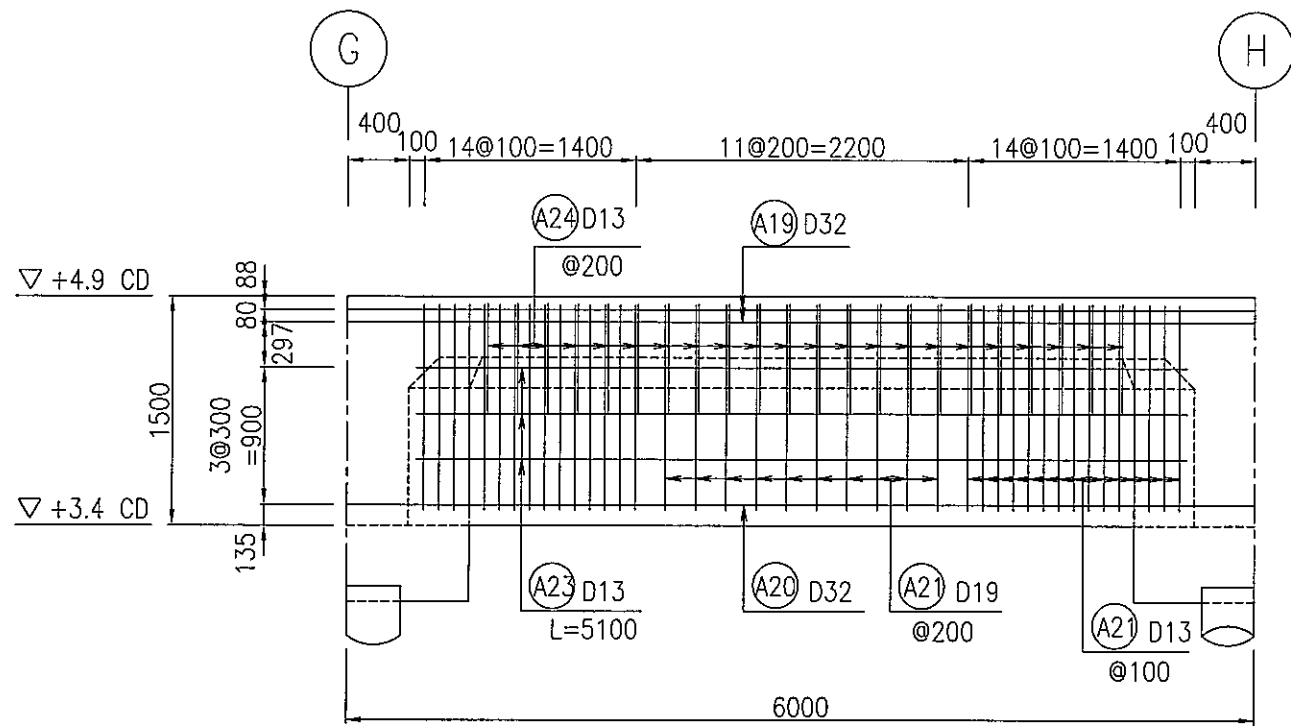


SECTION C-C
SC=1/50

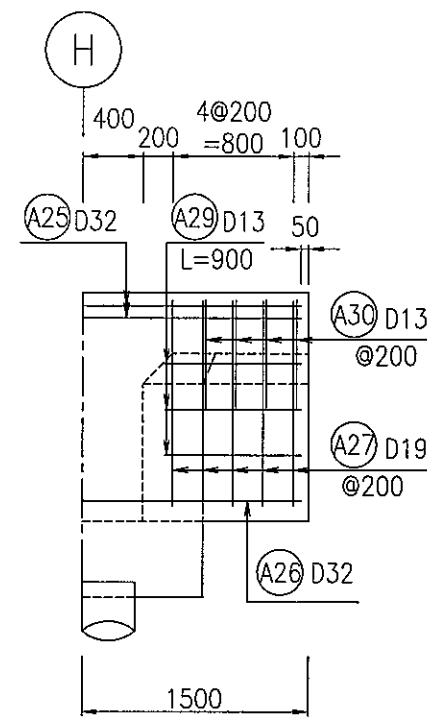


NOTES:
 -- DIMENSIONS ARE IN MILLIMETRES.
 -- ELEVATIONS ARE IN METRES - CHART DATUM.

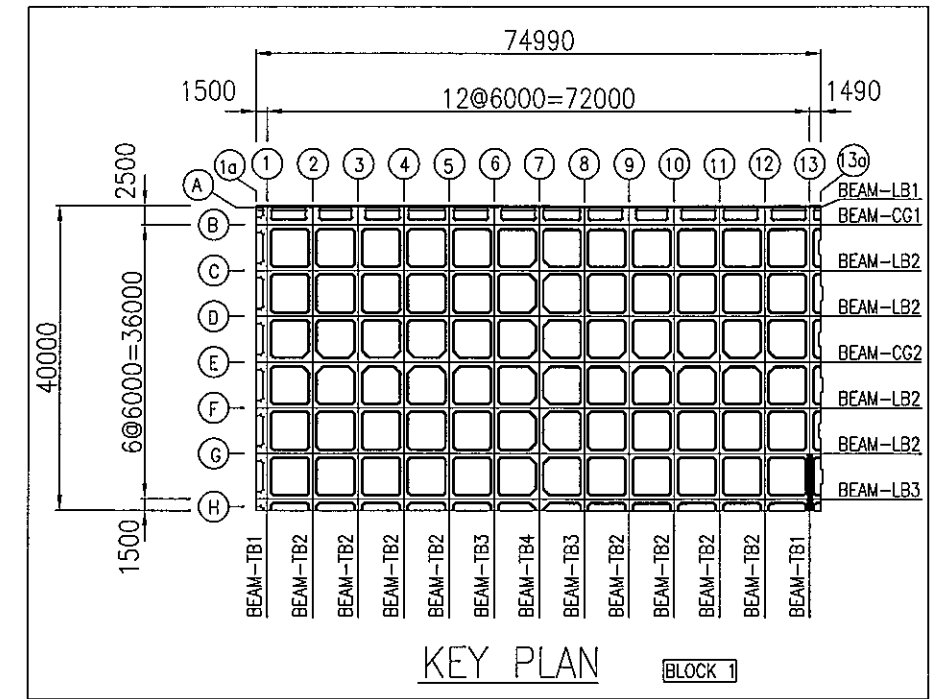
<p align="center">THE SOCIALIST REPUBLIC OF VIETNAM MINISTRY OF TRANSPORT PROJECT MANAGEMENT UNIT 85</p>					<p align="center">CAI MEP - THI VAI INTERNATIONAL PORT CONSTRUCTION PROJECT</p>		<p>DESIGNED BY: BUJ AN LOC DRAWN BY: P. T. THANH PHUONG CHECKED BY: YOSHIDA Y. APPROVED BY: NAGAI K. ISSUE DATE: 15/SEP/2005 SCALE: 1/50</p>		<p>SECTION: CIVIL WORKS SUB-SECTION: QUAY FACILITY TITLE OF DRAWING: ARRANGEMENT REINFORCEMENT OF BEAM TB1 [2] DWG NO: PAC2-TV-QAF-027 REV. NO</p>	
REV NO	DATE	DESCRIPTION	BY	APP	<p align="center">PACKAGE 2 CONSTRUCTION OF PORT FACILITIES AND BUILDINGS FOR THI VAI AREA</p>					



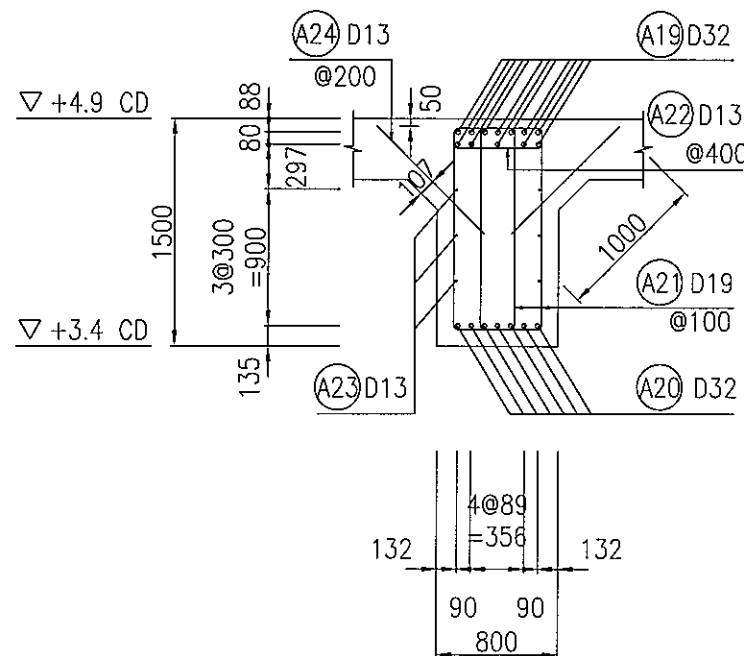
SECTION 4-4
SC=1/50



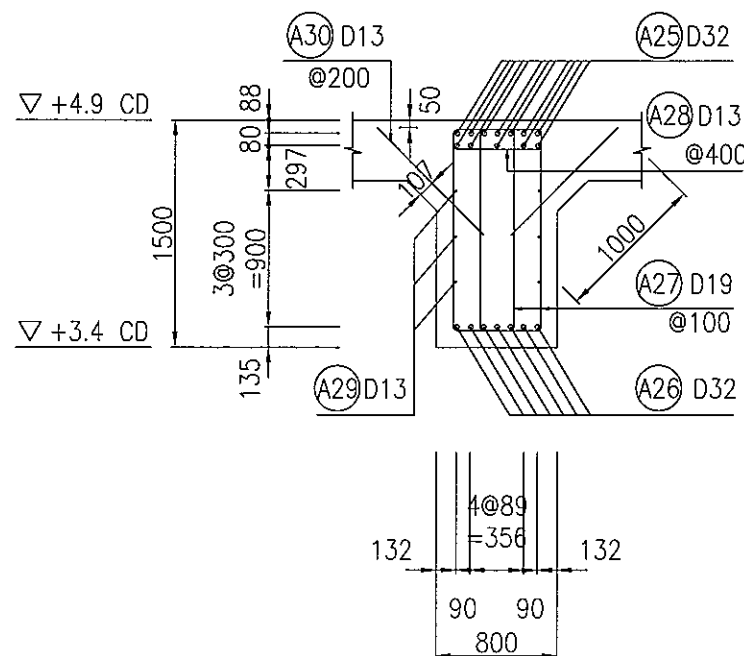
SECTION 5-5
SC=1/50



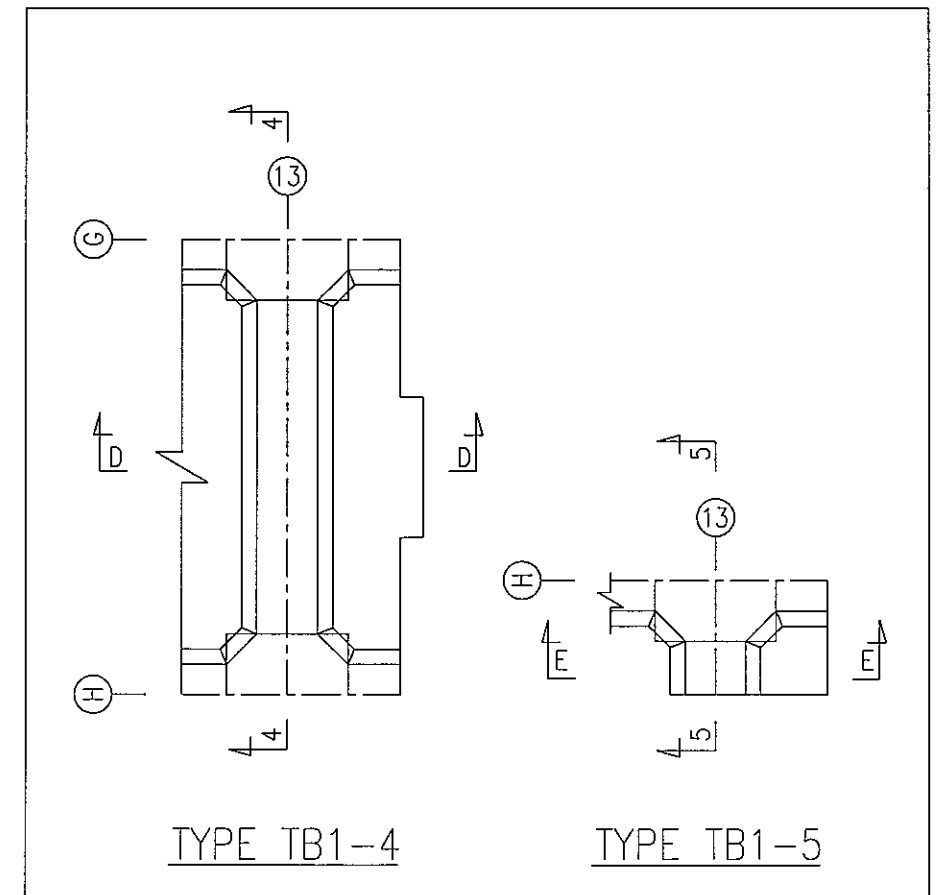
KEY PLAN [BLOCK 1]



SECTION D-D



SECTION E-E



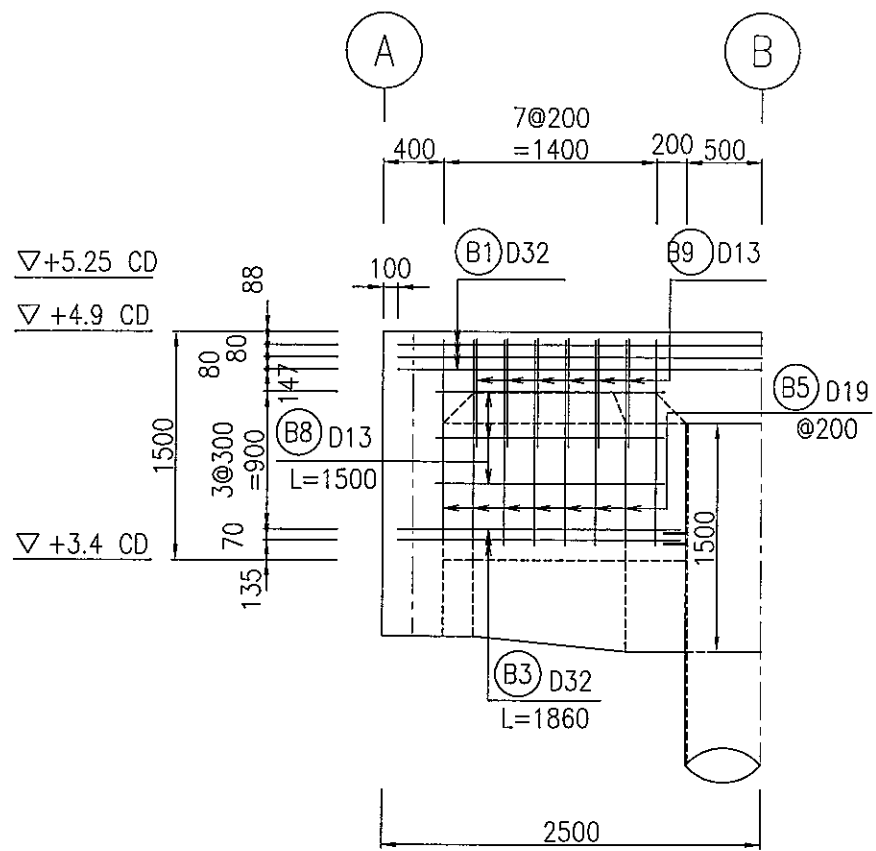
TYPE TB1-4

TYPE TB1-5

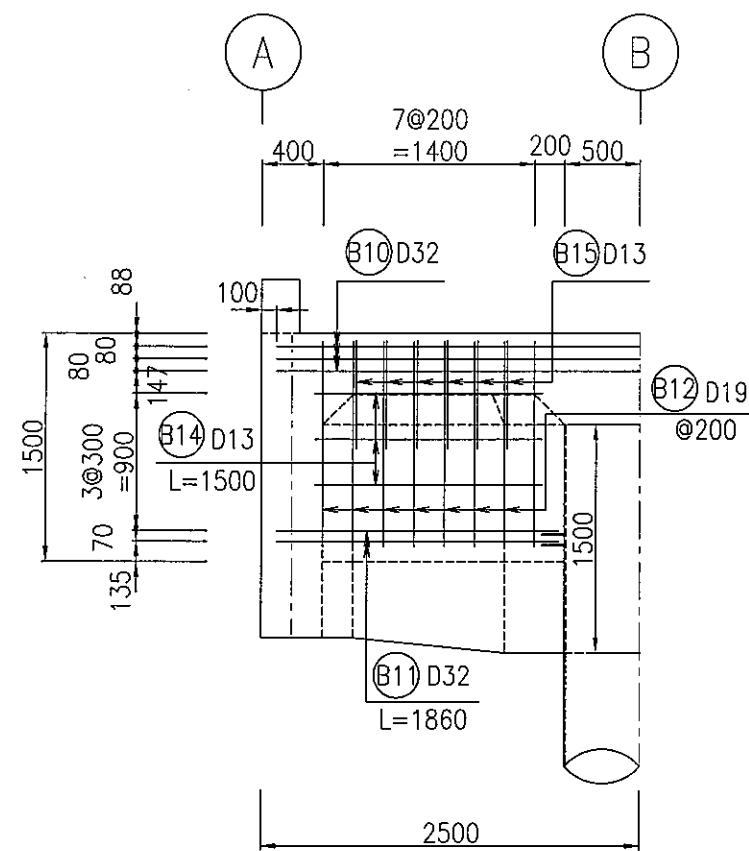
NOTES:

- DIMENSIONS ARE IN MILLIMETRES.
- ELEVATIONS ARE IN METRES -- CHART DATUM.

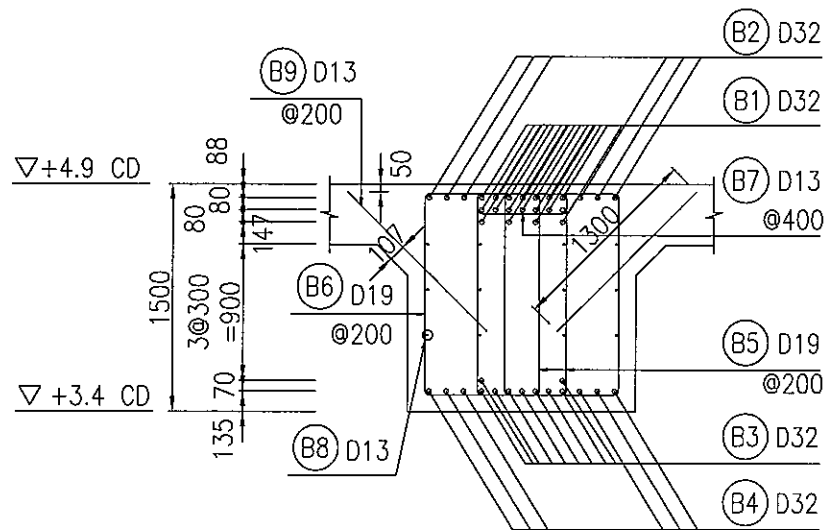
<p>THE SOCIALIST REPUBLIC OF VIETNAM MINISTRY OF TRANSPORT PROJECT MANAGEMENT UNIT 85</p>					<p>CAI MEP - THI VAI INTERNATIONAL PORT CONSTRUCTION PROJECT</p>					<p>DESIGNED BY: <i>[Signature]</i> DRAWN BY: <i>[Signature]</i> CHECKED BY: <i>[Signature]</i> APPROVED BY: <i>[Signature]</i> ISSUE DATE: 15/SEP/2005 SCALE: 1/50</p>		<p>SECTION: CIVIL WORKS SUB-SECTION: QUAY FACILITY TITLE OF DRAWING: ARRANGEMENT REINFORCEMENT OF BEAM TB1 [3] DWG NO: PAC2-TV-QAF-028 REV. NO</p>	
<p>JAPAN INTERNATIONAL COOPERATION AGENCY ASSIGNED TO: JAPAN PORT CONSULTANT (JPC) PACIFIC CONSULTANTS INTERNATIONAL (PCI) INTERNATIONAL DEVELOPMENT SYSTEM (IDS)</p>					<p>PACKAGE 2 CONSTRUCTION OF PORT FACILITIES AND BUILDINGS FOR THI VAI AREA</p>								
REV NO	DATE	DESCRIPTION	BY	APP									



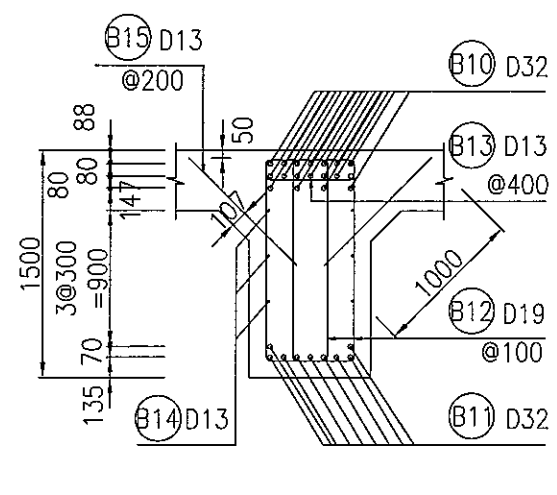
SECTION 1-1
SC=1/50



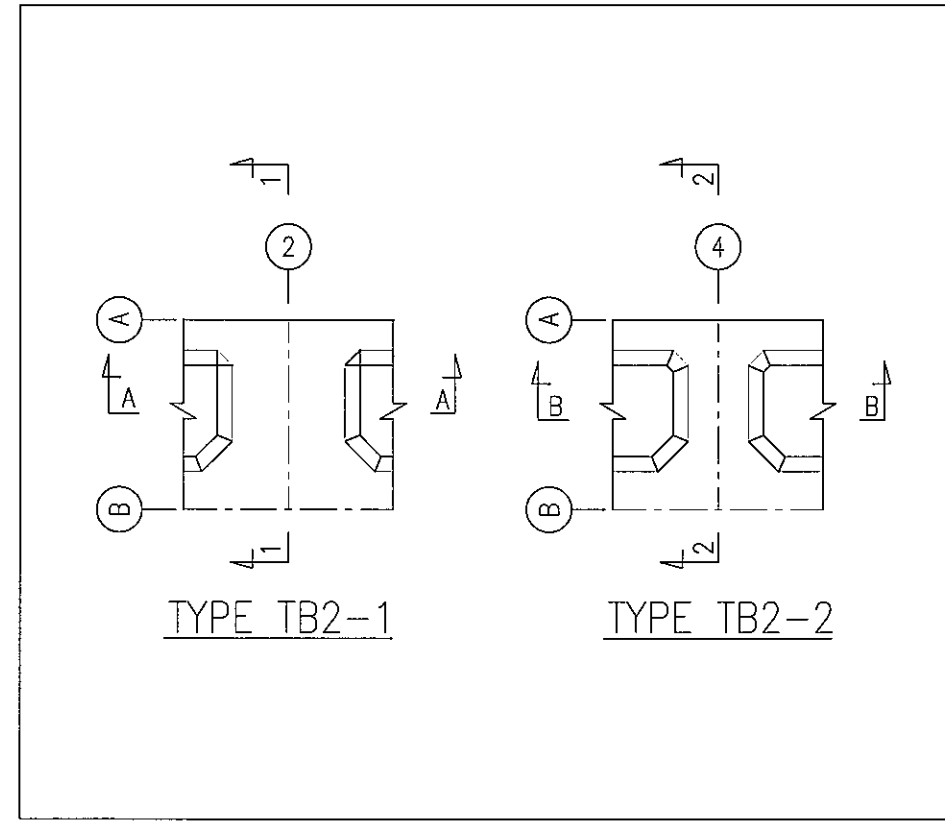
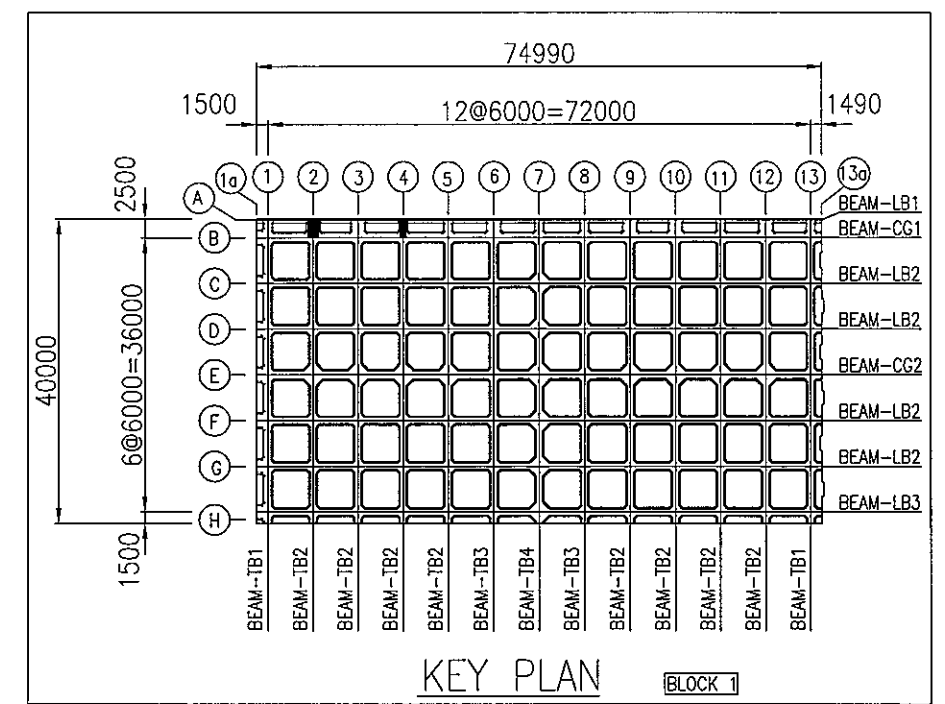
SECTION 2-2
SC=1/50



SECTION A-A
SC=1/50

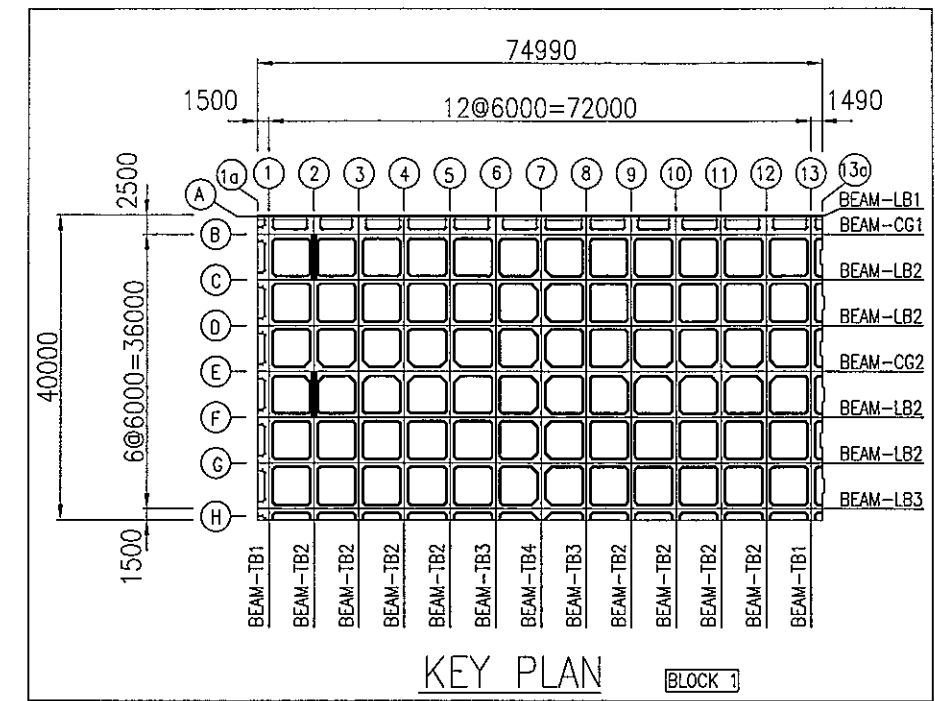
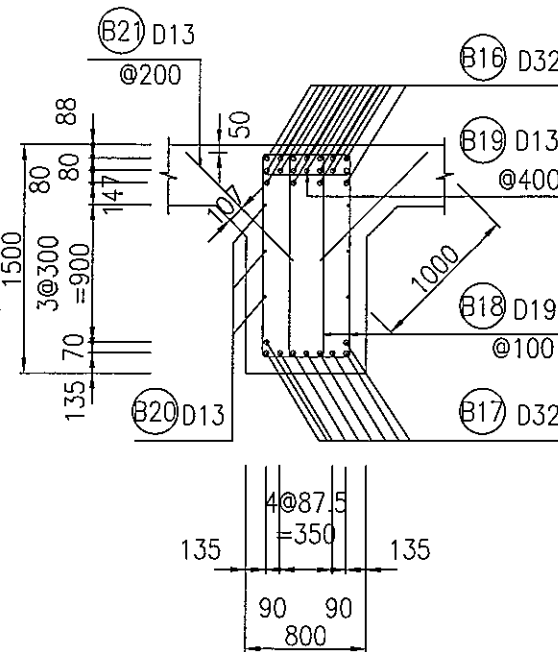
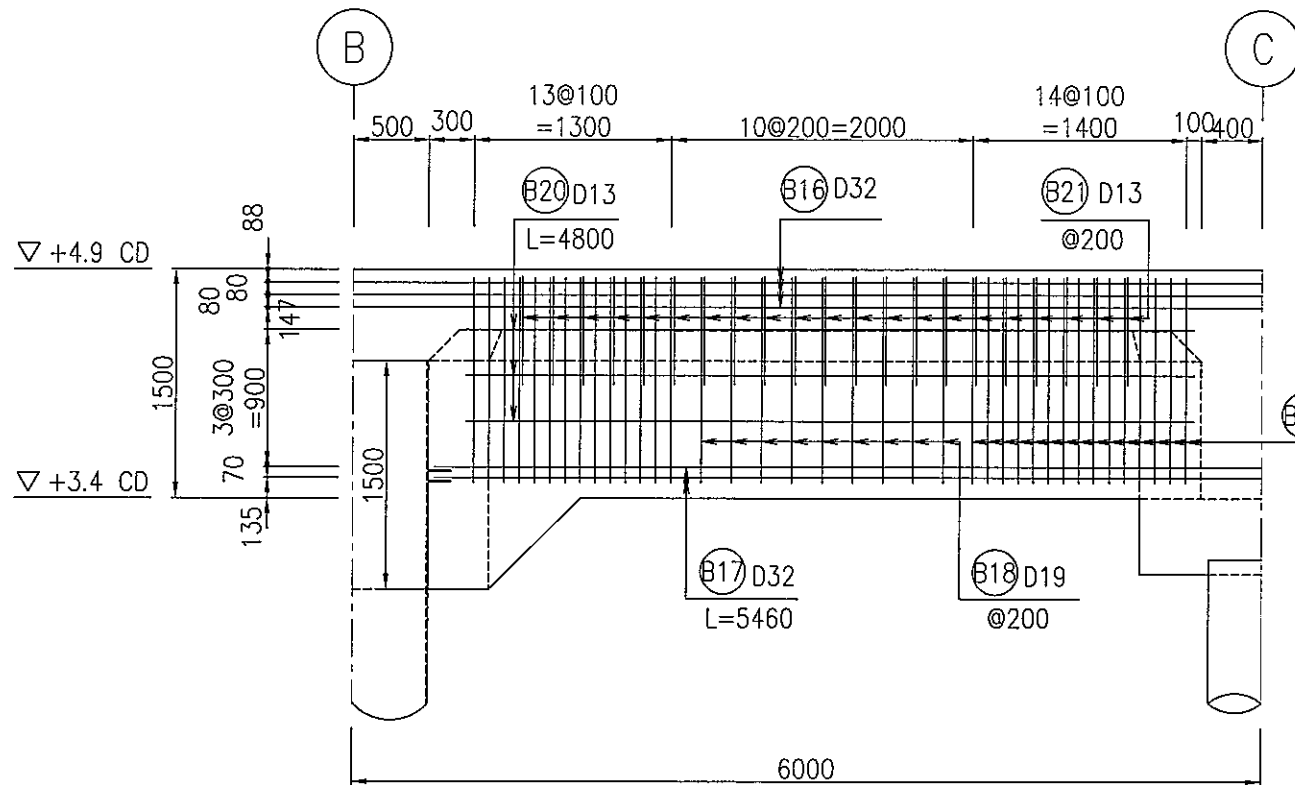


SECTION B-B
SC=1/50



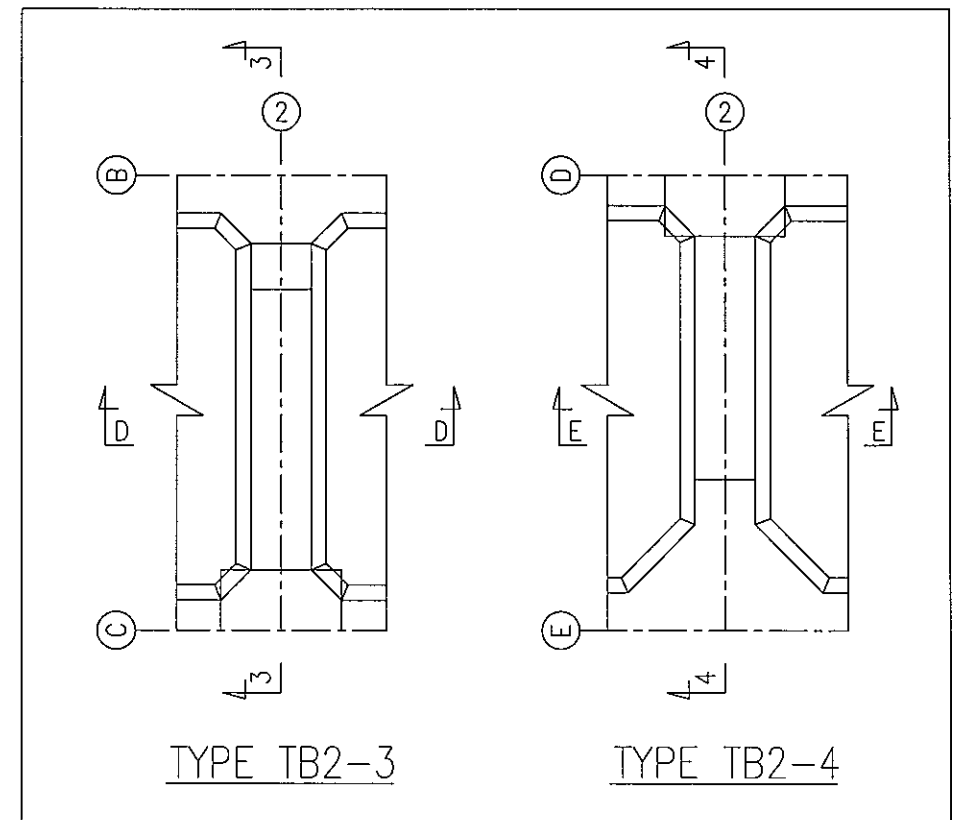
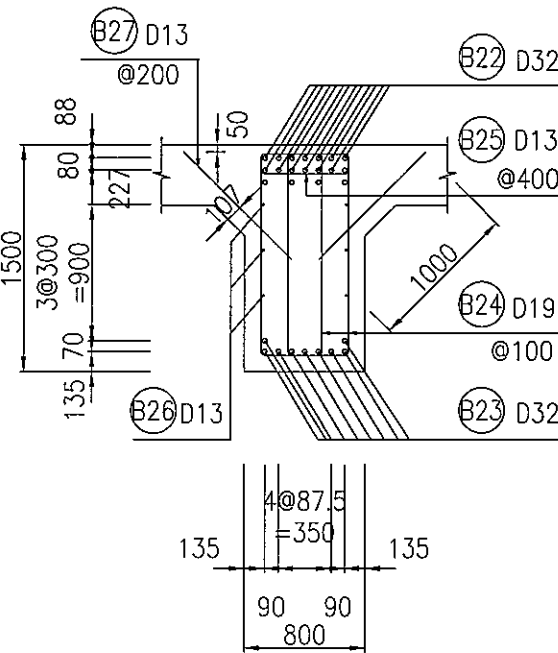
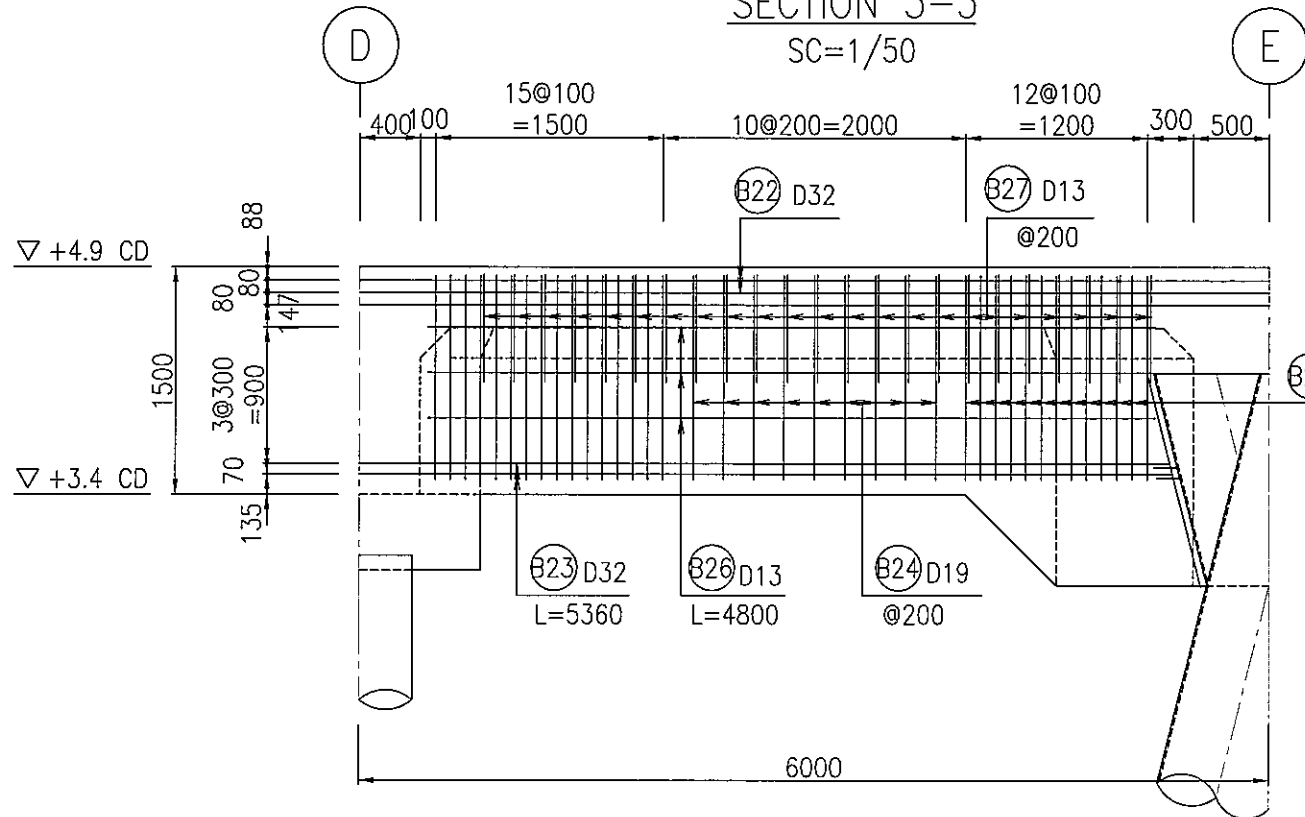
NOTES:
- DIMENSIONS ARE IN MILLIMETRES.
- ELEVATIONS ARE IN METRES - CHART DATUM.

<p>THE SOCIALIST REPUBLIC OF VIETNAM MINISTRY OF TRANSPORT PROJECT MANAGEMENT UNIT 85</p>					<p>CAI MEP - THI VAI INTERNATIONAL PORT CONSTRUCTION PROJECT</p>					<p>DESIGNED BY: BUI AN LOC DRAWN BY: P. T. THANH PHUONG CHECKED BY: YOSHIDA Y. APPROVED BY: NAGAI K. ISSUE DATE: 15/SEP/2005 SCALE: 1/50</p>					<p>SECTION: CIVIL WORKS SUB-SECTION: QUAY FACILITY TITLE OF DRAWING: ARRANGEMENT REINFORCEMENT OF BEAM TB2 [1] DWG NO: PAC2-TV-QAF-029 REV. NO</p>				
REV NO	DATE	DESCRIPTION	BY	APP	<p>JICA JAPAN INTERNATIONAL COOPERATION AGENCY ASSIGNED TO: JAPAN PORT CONSULTANT (JPC) PACIFIC CONSULTANTS INTERNATIONAL (PCI) INTERNATIONAL DEVELOPMENT SYSTEM (IDS)</p>					<p>PACKAGE 2 CONSTRUCTION OF PORT FACILITIES AND BUILDINGS FOR THI VAI AREA</p>									



SECTION 3-3
SC=1/50

SECTION D-D
SC=1/50



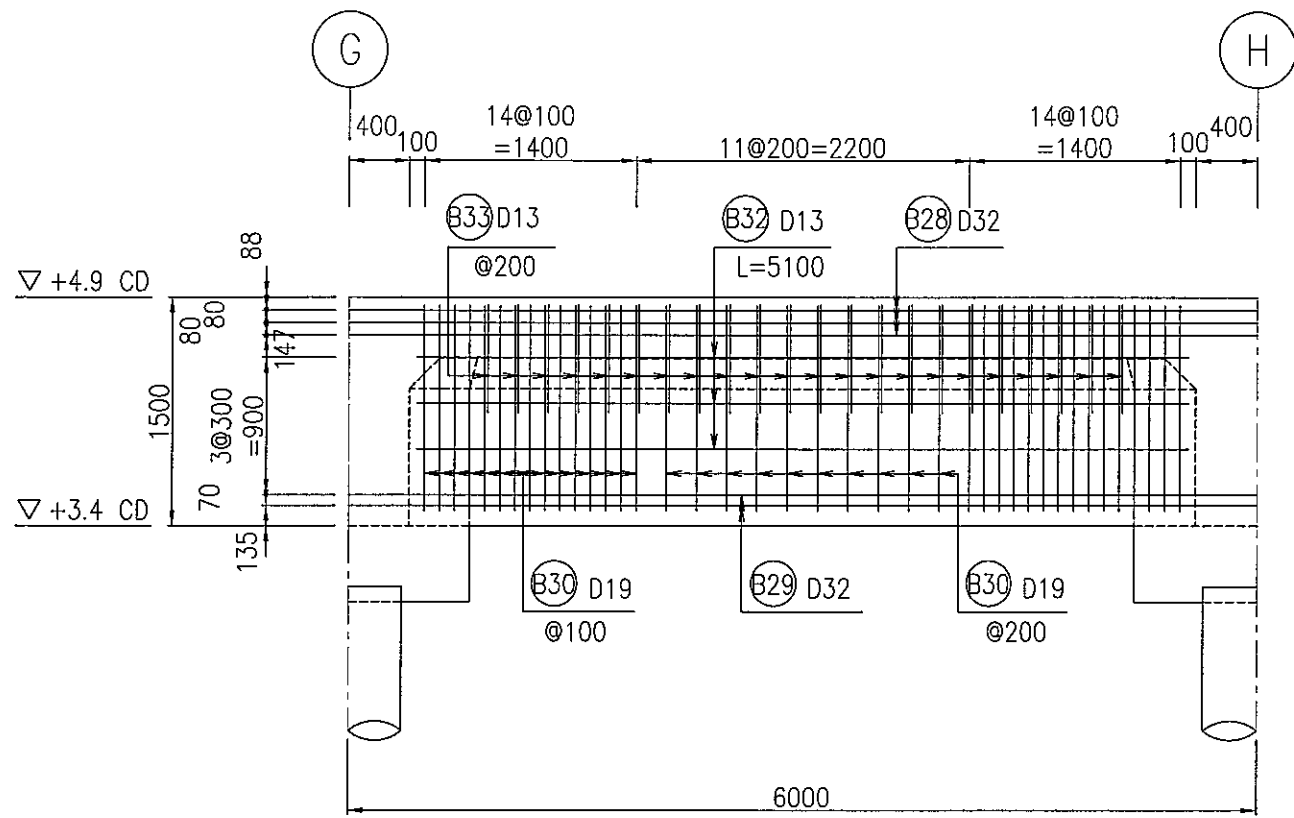
SECTION 4-4
SC=1/50

SECTION E-E
SC=1/50

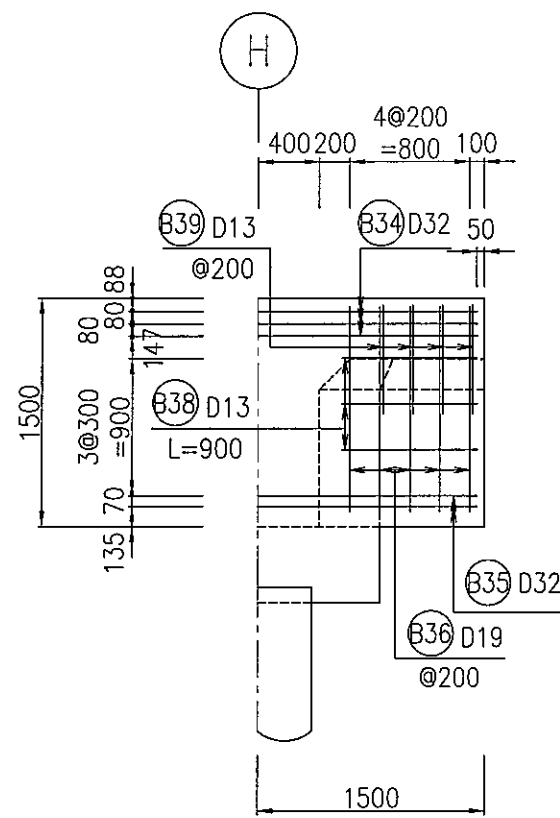
NOTES:

- DIMENSIONS ARE IN MILLIMETRES.
- ELEVATIONS ARE IN METRES - CHART DATUM.

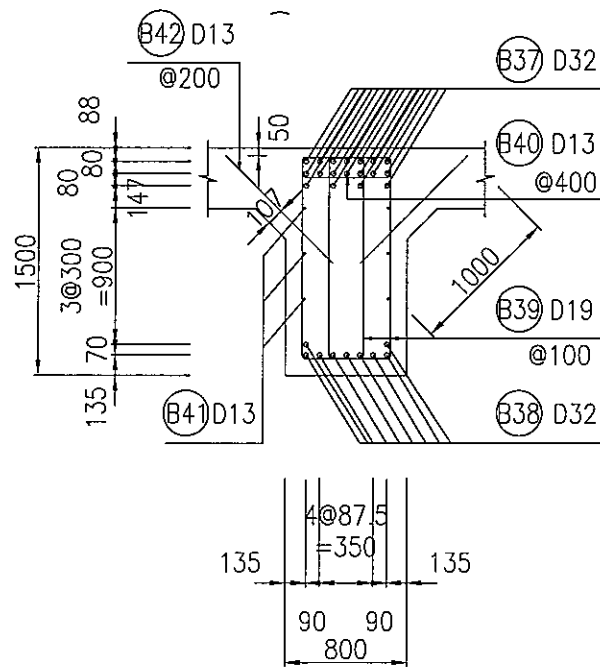
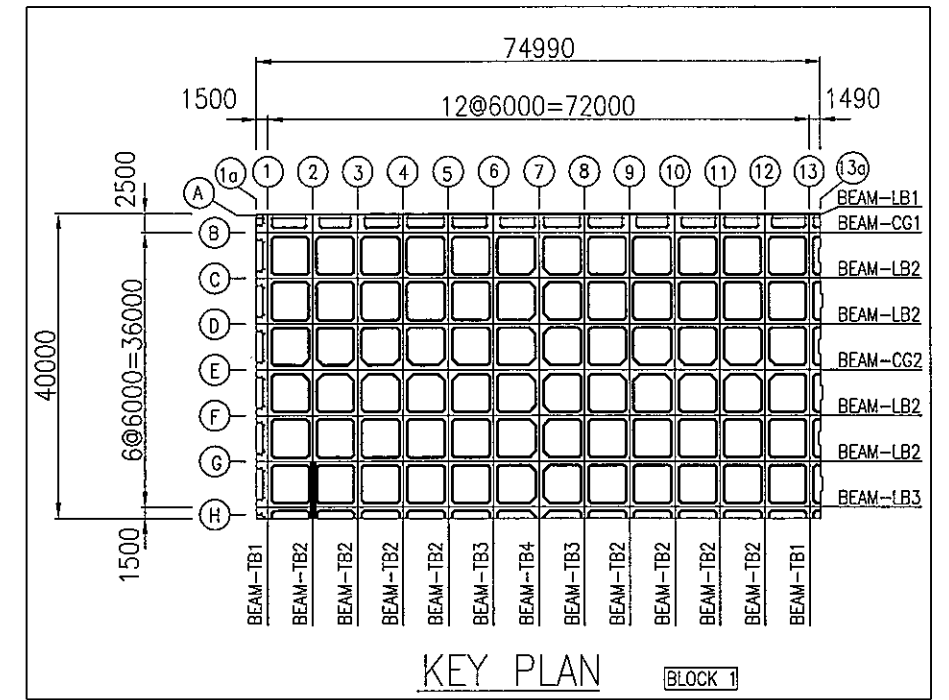
THE SOCIALIST REPUBLIC OF VIETNAM MINISTRY OF TRANSPORT PROJECT MANAGEMENT UNIT 85					CAI MEP - THI VAI INTERNATIONAL PORT CONSTRUCTION PROJECT			DESIGNED BY: BUI AN LOC		SECTION: CIVIL WORKS	
JAPAN INTERNATIONAL COOPERATION AGENCY ASSIGNED TO: JAPAN PORT CONSULTANT (JPC)					PACKAGE 2 CONSTRUCTION OF PORT FACILITIES AND BUILDINGS FOR THI VAI AREA			DRAWN BY: P. T. THANH PHUONG		SUB-SECTION: QUAY FACILITY	
PACIFIC CONSULTANTS INTERNATIONAL (PCI) INTERNATIONAL DEVELOPMENT SYSTEM (IDS)					APPROVED BY: NAGAI K.			CHECKED BY: YOSHIDA Y.		TITLE OF DRAWING: ARRANGEMENT REINFORCEMENT OF BEAM TB2 [2]	
REV. NO.	DATE	DESCRIPTION	BY	APP.				ISSUE DATE: 15/SEP/2005	DIVG. NO.:	PAC2-TV-QAF-030	
								SCALE: 1/50		REV. NO.	



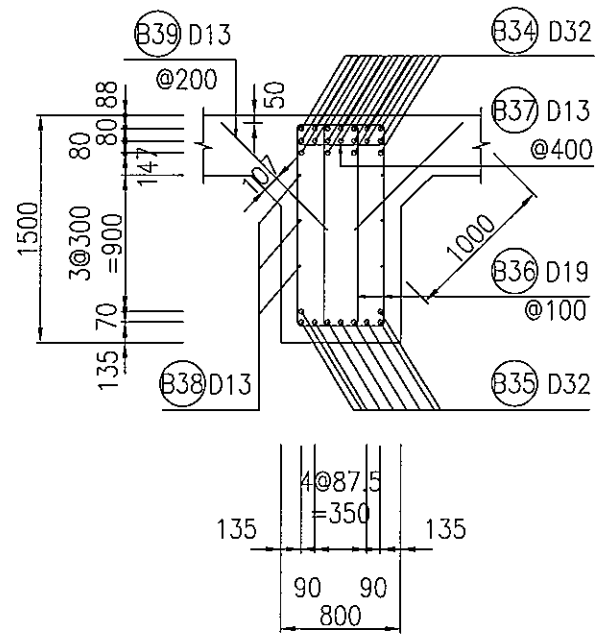
SECTION 6-6
SC=1/50



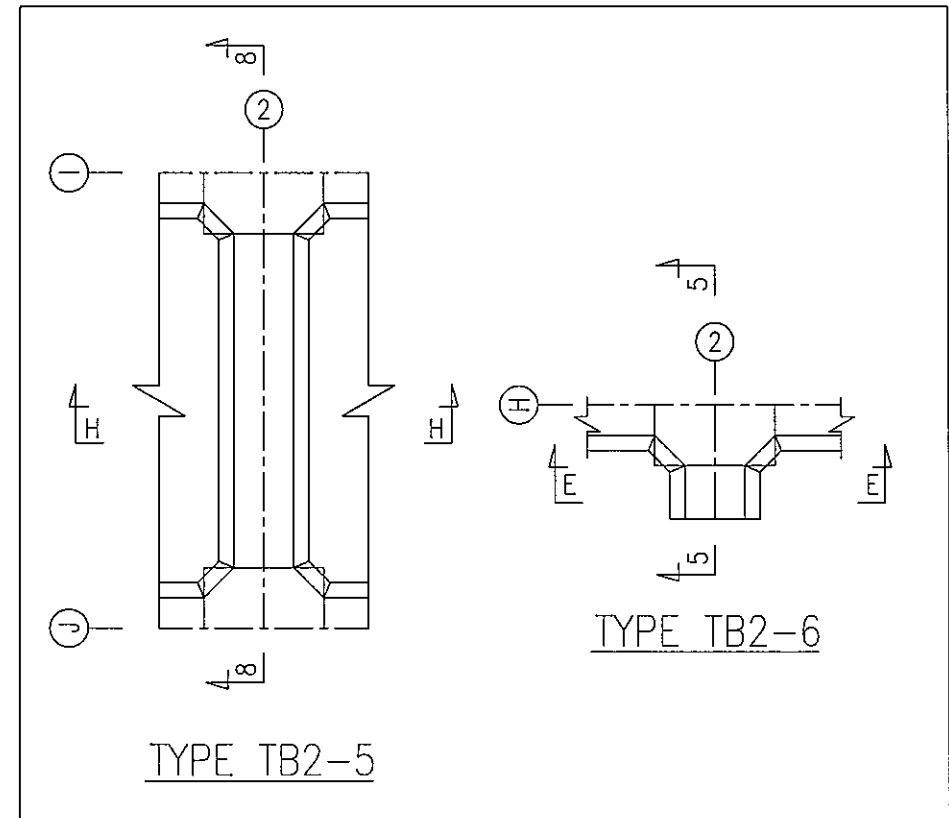
SECTION 6-6
SC=1/50



SECTION H-H
SC=1/50



SECTION E-E
SC=1/50



NOTES:

- DIMENSIONS ARE IN MILLIMETRES.
- ELEVATIONS ARE IN METRES - CHART DATUM.

THE SOCIALIST REPUBLIC OF VIETNAM
MINISTRY OF TRANSPORT
PROJECT MANAGEMENT UNIT 85

JICA
JAPAN INTERNATIONAL COOPERATION AGENCY
ASSIGNED TO:
JAPAN PORT CONSULTANT (JPC)
PACIFIC CONSULTANTS INTERNATIONAL (PCI)
INTERNATIONAL DEVELOPMENT SYSTEM (IDS)

CAI MEP - THI VAI INTERNATIONAL PORT
CONSTRUCTION PROJECT

PACKAGE 2
CONSTRUCTION OF PORT FACILITIES AND BUILDINGS FOR
THI VAI AREA

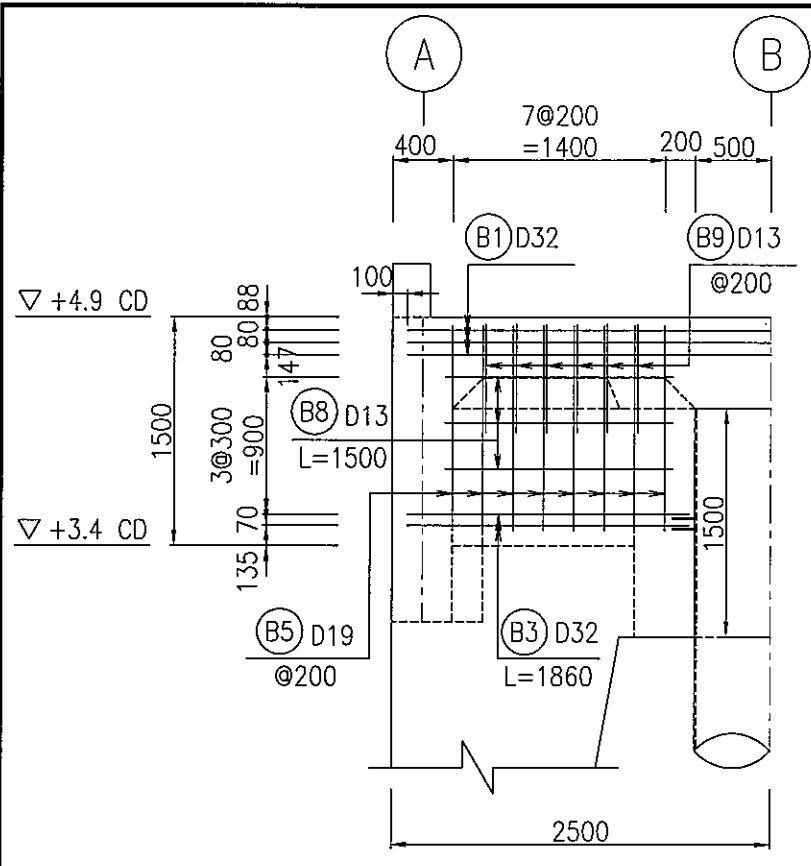
DESIGNED BY: BUI AN LOC
DRAWN BY: P. T. THANH PHUONG
CHECKED BY: YOSHIDA Y.
APPROVED BY: NAGAI K.
ISSUE DATE: 15/SEP/2005
SCALE: 1/50

SECTION: CIVIL WORKS
SUB-SECTION: QUAY FACILITY
TITLE OF DRAWING: ARRANGMENT REINFORCEMENT OF BEAM TB2 [3]

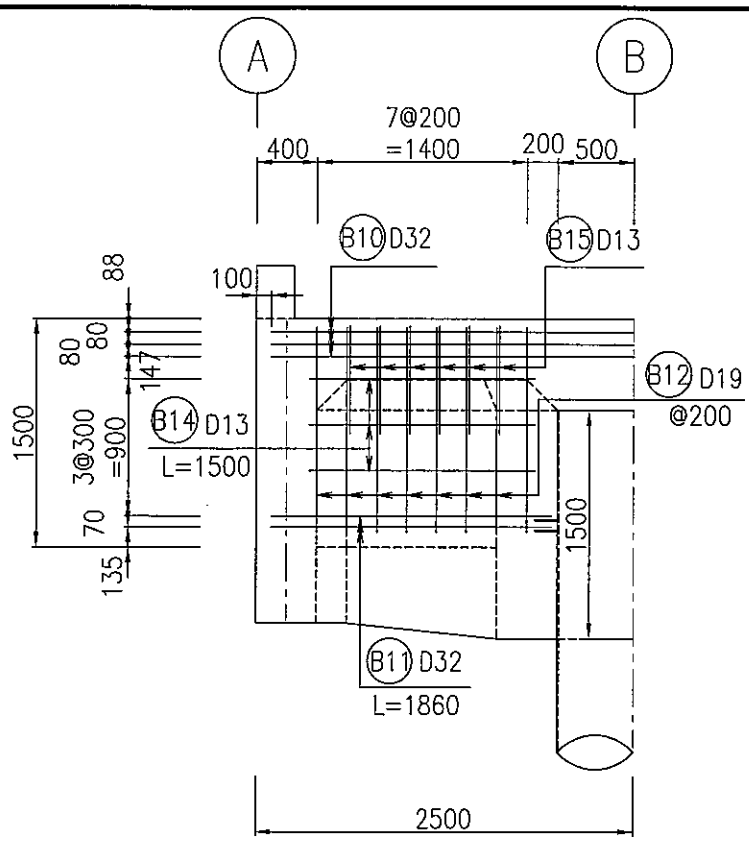
DWG NO: PAC2-TV-QAF-031

REV. NO

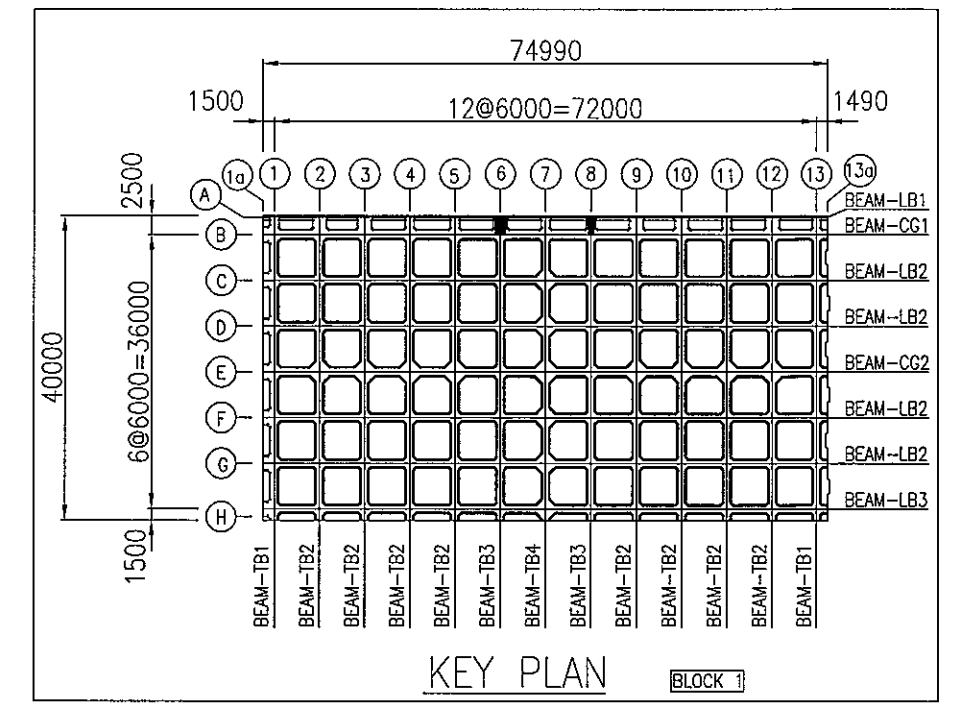
REV NO	DATE	DESCRIPTION	BY	APP



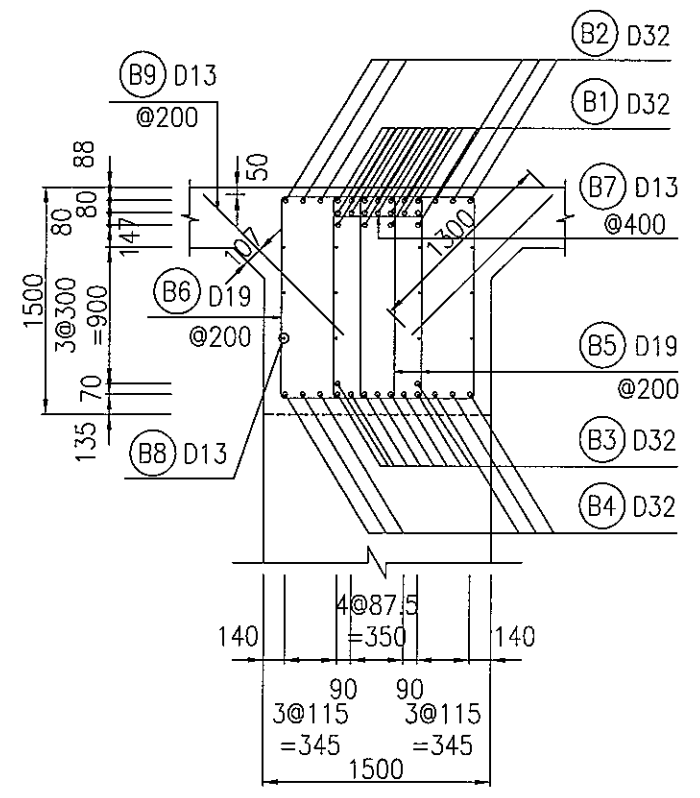
SECTION 1-1
SC=1/50



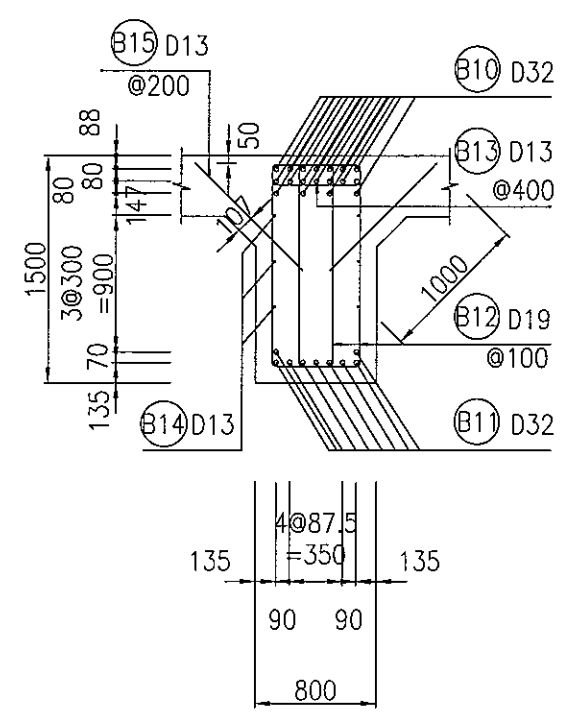
SECTION 2-2
SC=1/50



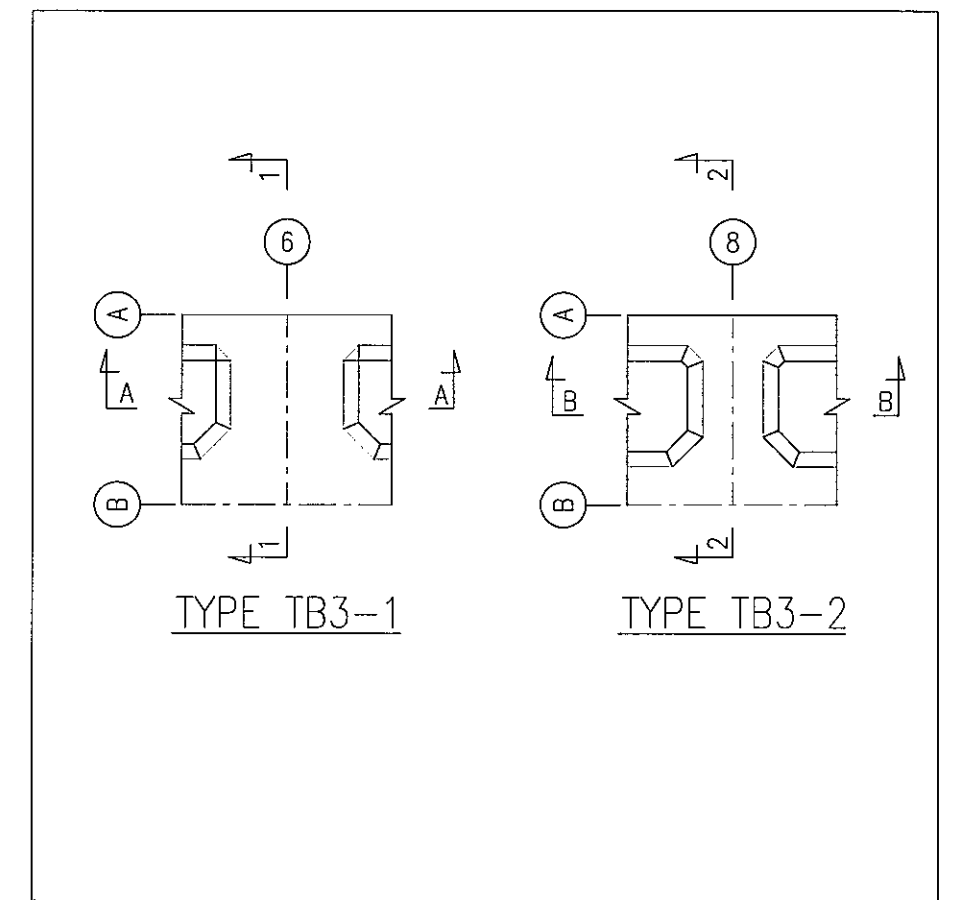
KEY PLAN
BLOCK 1



SECTION A-A
SC=1/50



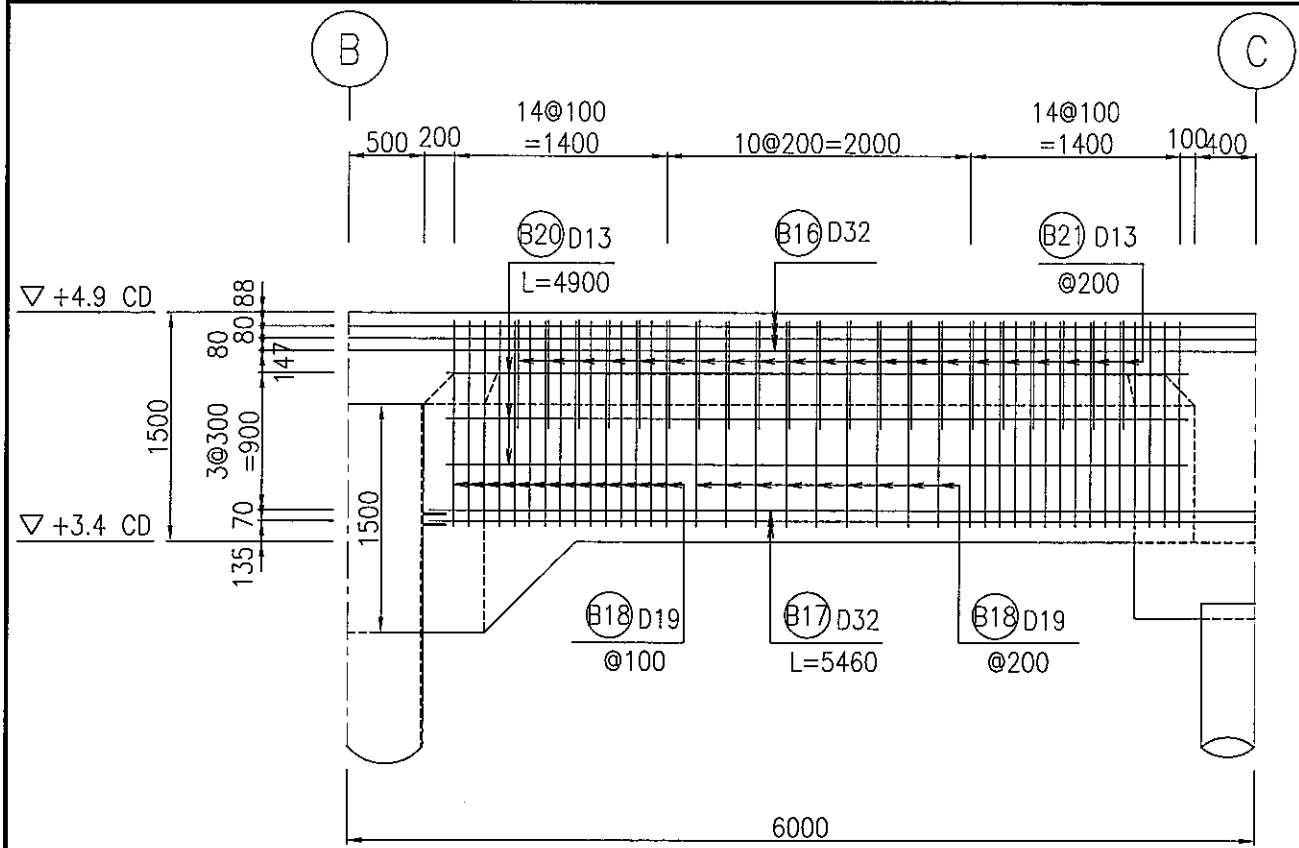
SECTION B-B
SC=1/50



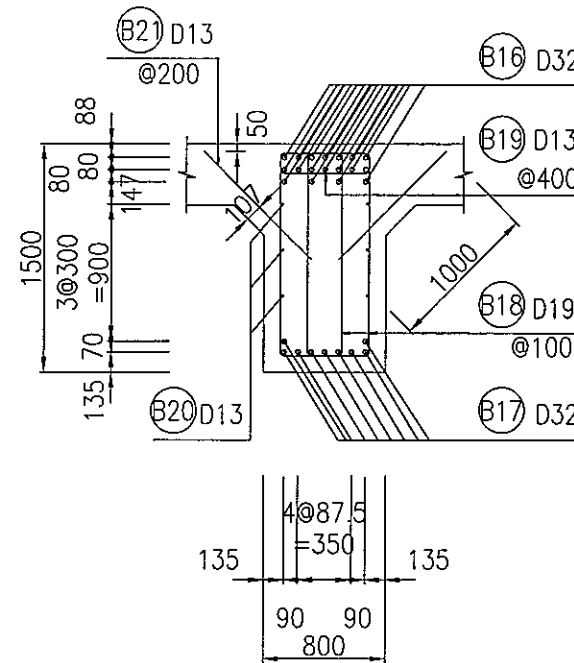
NOTES:

- DIMENSIONS ARE IN MILLIMETRES.
- ELEVATIONS ARE IN METRES - CHART DATUM.

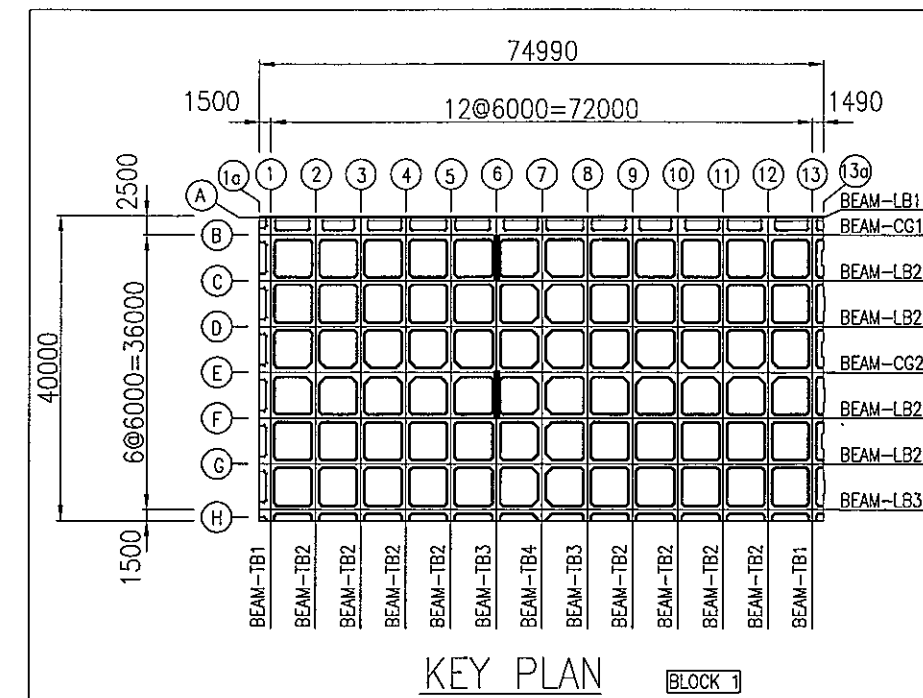
THE SOCIALIST REPUBLIC OF VIETNAM MINISTRY OF TRANSPORT PROJECT MANAGEMENT UNIT 85					CAI MEP - THI VAI INTERNATIONAL PORT CONSTRUCTION PROJECT					DESIGNED BY: BUI AN LOC DRAWN BY: P. T. THANH PHUONG CHECKED BY: YOSHIDA Y. APPROVED BY: NAGAI K. ISSUE DATE: 15/SEP/2005 SCALE: 1/50					SECTION: CIVIL WORKS SUB-SECTION: QUAY FACILITY TITLE OF DRAWING: ARRANGEMENT REINFORCEMENT OF BEAM TB3 (1) DWG NO: PAC2-TV-QAF-032 REV. NO				
JICA JAPAN INTERNATIONAL COOPERATION AGENCY ASSIGNED TO: JAPAN PORT CONSULTANT (JPC) PACIFIC CONSULTANTS INTERNATIONAL (PCI) INTERNATIONAL DEVELOPMENT SYSTEM (IDS)					PACKAGE 2 CONSTRUCTION OF PORT FACILITIES AND BUILDINGS FOR THI VAI AREA														
REV NO	DATE	DESCRIPTION	BY	APP															



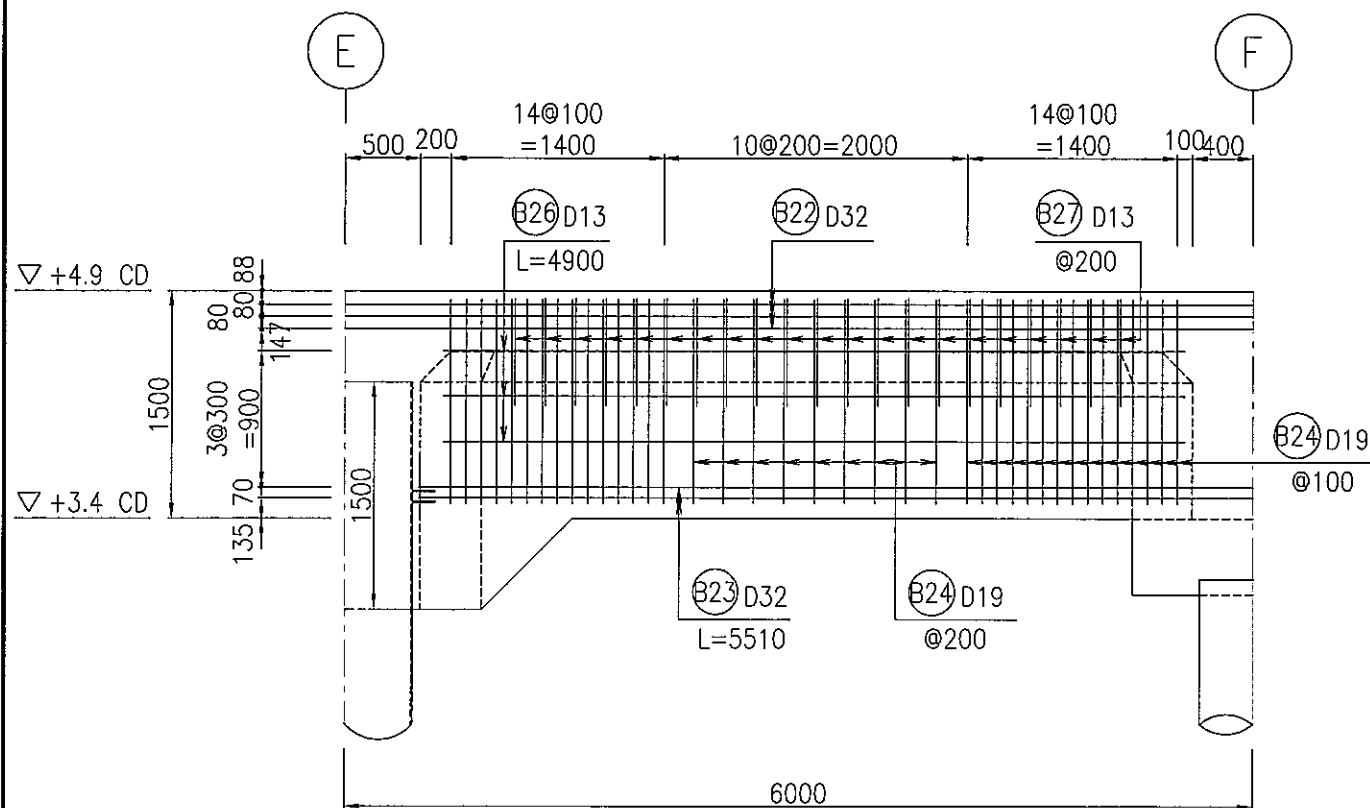
SECTION 3-3
SC=1/50



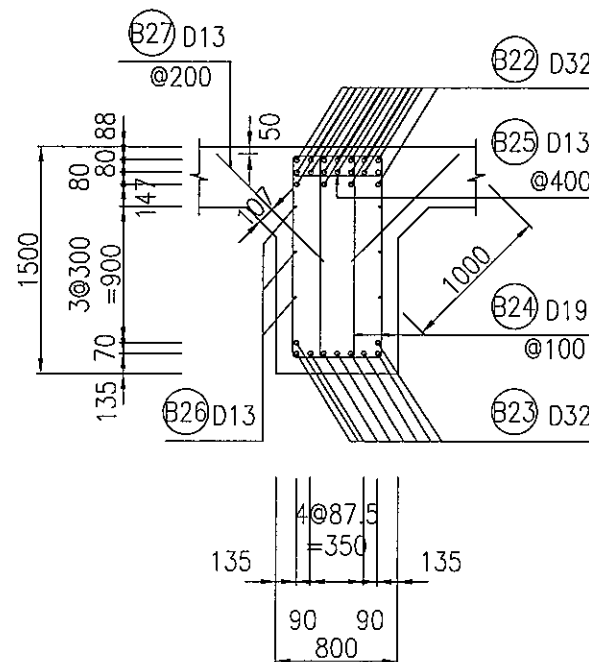
SECTION C-C
SC=1/50



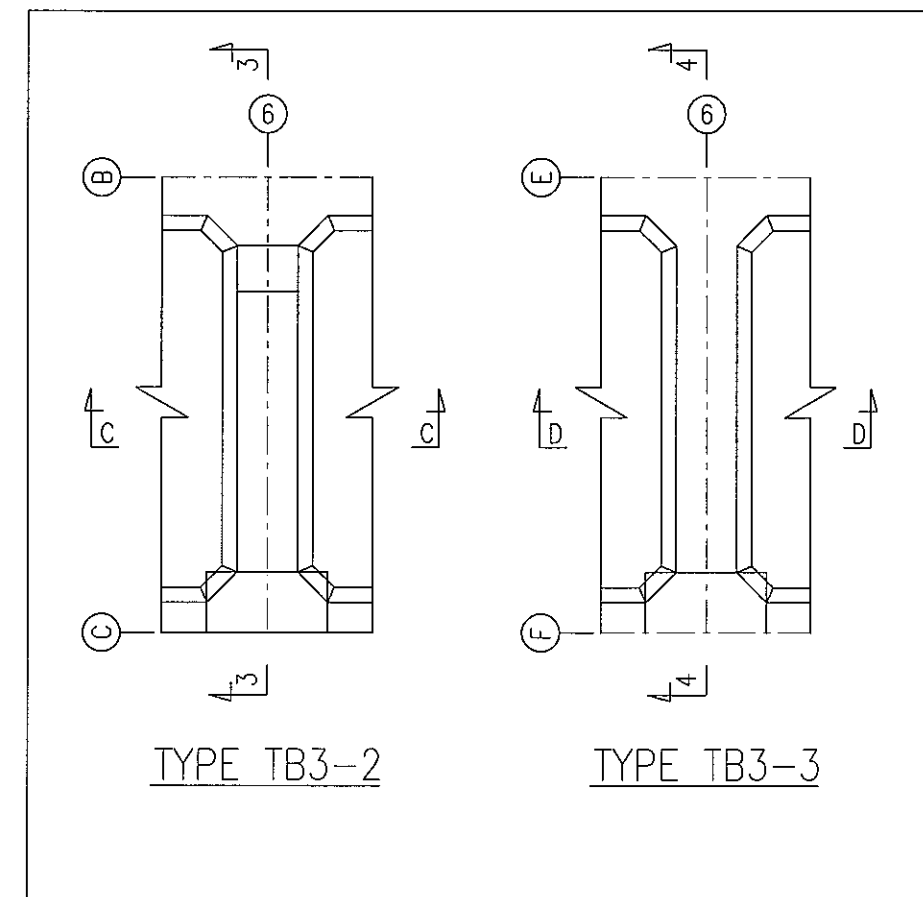
KEY PLAN BLOCK 1



SECTION 4-4
SC=1/50



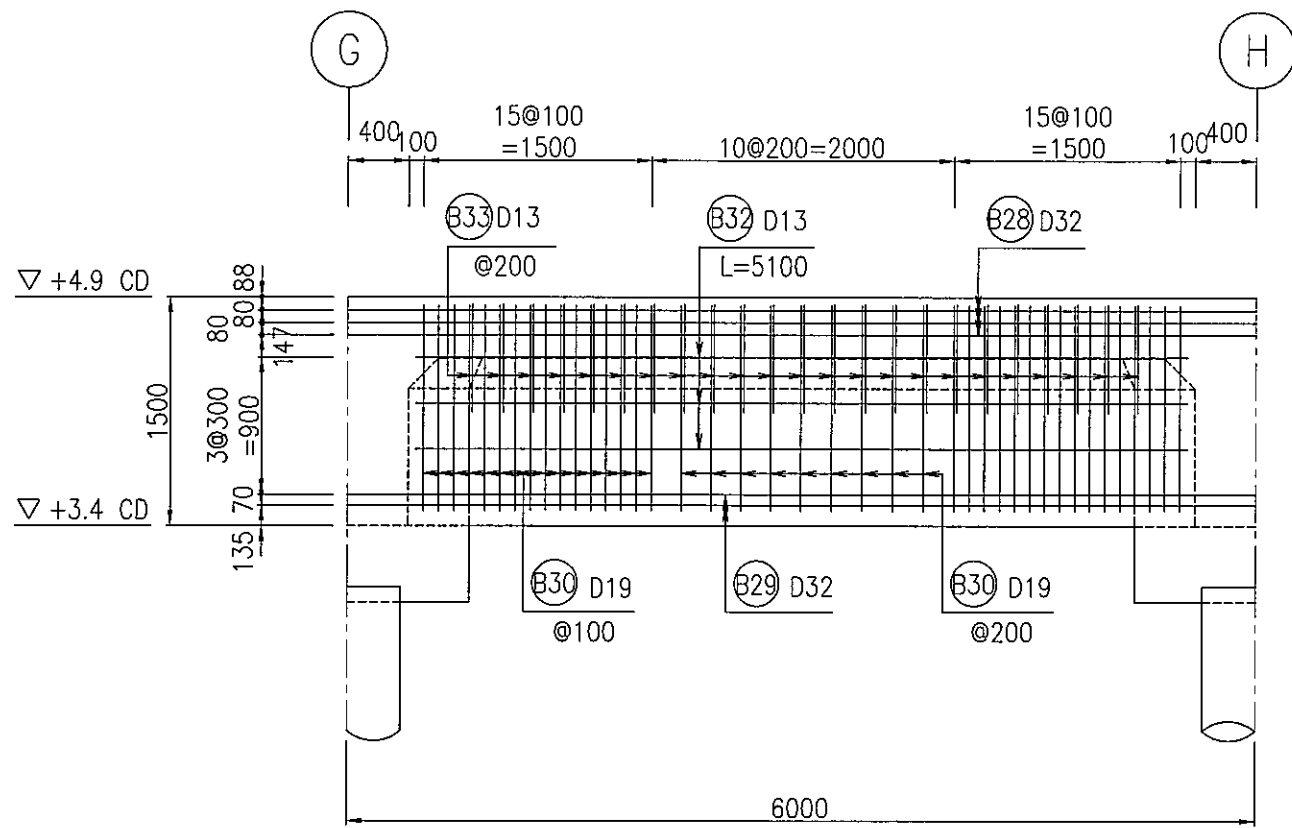
SECTION D-D
SC=1/50



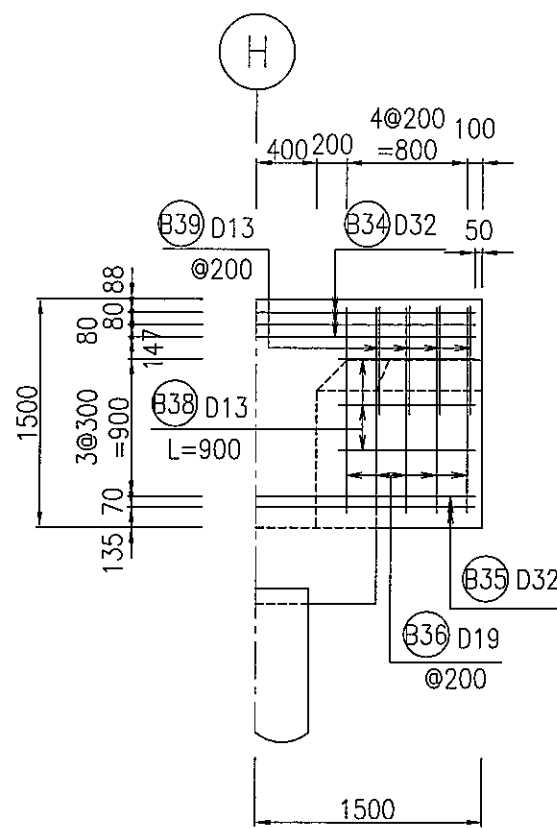
NOTES:

- DIMENSIONS ARE IN MILLIMETRES.
- ELEVATIONS ARE IN METRES - CHART DATUM.

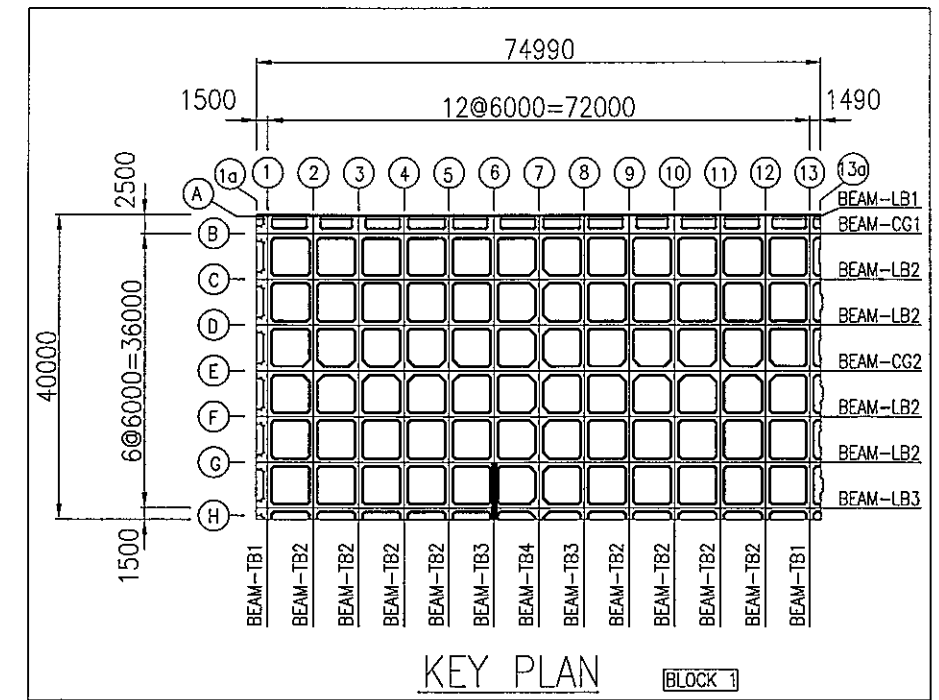
THE SOCIALIST REPUBLIC OF VIETNAM MINISTRY OF TRANSPORT PROJECT MANAGEMENT UNIT 85					CAI MEP - THI VAI INTERNATIONAL PORT CONSTRUCTION PROJECT		DESIGNED BY: DRAWN BY: CHECKED BY: APPROVED BY: NAGAI K. ISSUE DATE: 15/SEP/2005 SCALE: 1/50		SECTION: CIVIL WORKS SUB-SECTION: QUAY FACILITY TITLE OF DRAWING: ARRANGEMENT REINFORCEMENT OF BEAM TB3 [2] DWG NO: PAC2-TV-QAF-033 REV. NO:	
 JAPAN INTERNATIONAL COOPERATION AGENCY ASSIGNED TO: JAPAN PORT CONSULTANT (JPC) PACIFIC CONSULTANTS INTERNATIONAL (PCI) INTERNATIONAL DEVELOPMENT SYSTEM (IDS)					PACKAGE 1 CONSTRUCTION OF PORT FACILITIES AND BUILDINGS FOR THI VAI AREA					
REV NO	DATE	DESCRIPTION	BY	APP						



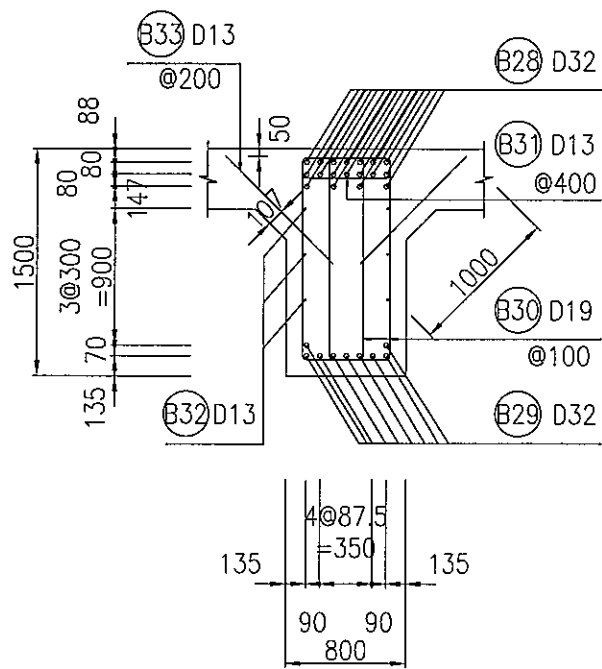
SECTION 5-5
SC=1/50



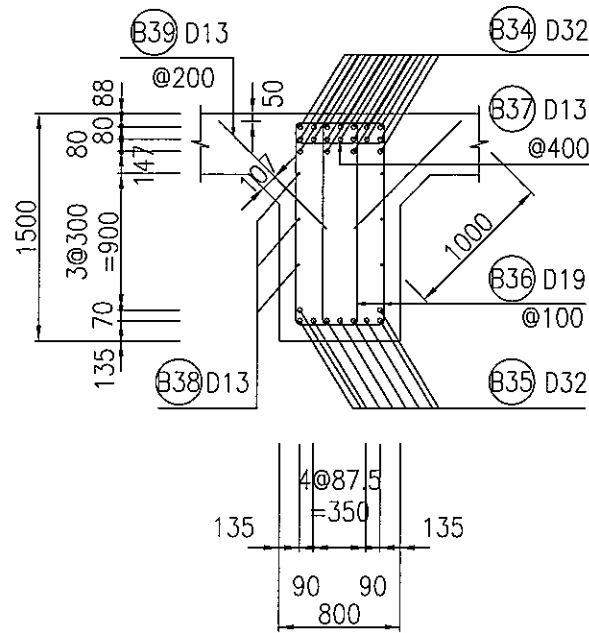
SECTION 6-6
SC=1/50



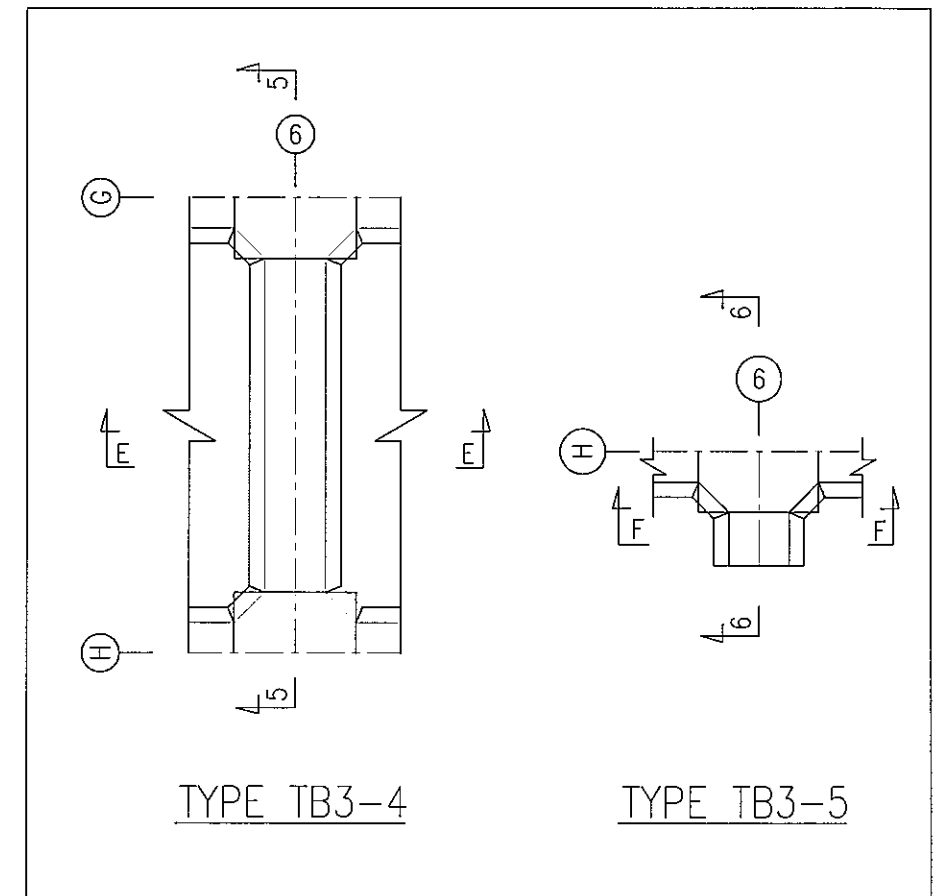
KEY PLAN



SECTION E-E
SC=1/50



SECTION F-F
SC=1/50



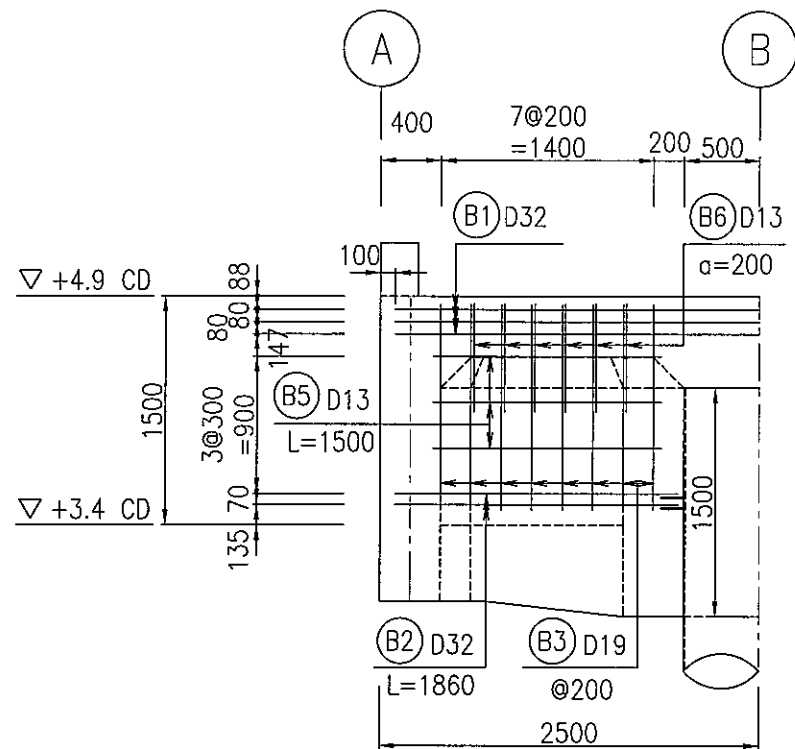
TYPE TB3-4

TYPE TB3-5

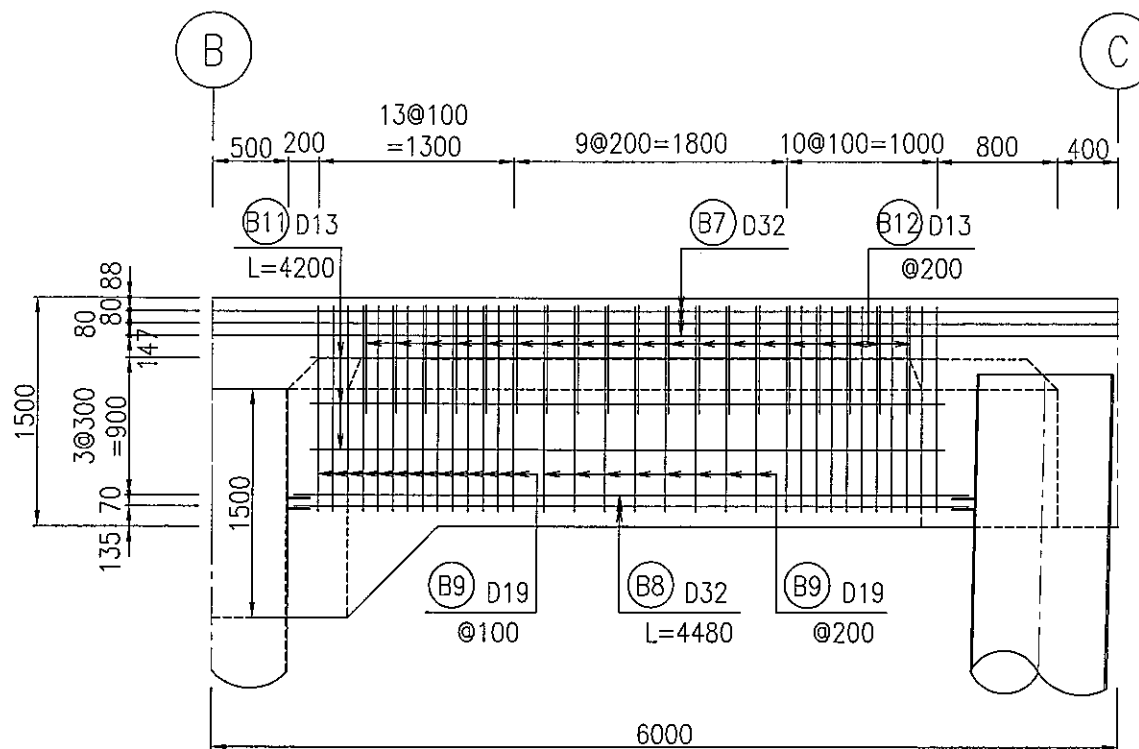
NOTES:

- DIMENSIONS ARE IN MILLIMETRES.
- ELEVATIONS ARE IN METRES - CHART DATUM.

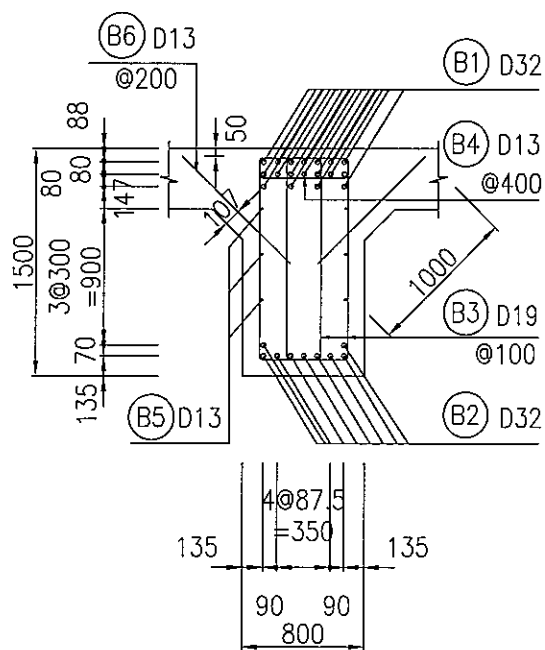
<p align="center">THE SOCIALIST REPUBLIC OF VIETNAM MINISTRY OF TRANSPORT PROJECT MANAGEMENT UNIT 85</p>					<p align="center">CAI MEP - THI VAI INTERNATIONAL PORT CONSTRUCTION PROJECT</p>					<p>DESIGNED BY: BUI AN LOC DRAWN BY: P. T. THANH PHUONG CHECKED BY: YOSHIDA Y. APPROVED BY: NAGAI K. ISSUE DATE: 15/SEP/2003 SCALE: 1/50</p>					<p>SECTION: CIVIL WORKS SUB-SECTION: QUAY FACILITY TITLE OF DRAWING: ARRANGEMENT REINFORCEMENT OF BEAM TB3 [3] DWG NO: PAC2-TV-QAF-034 REV. NO</p>				
<p align="center">JICA JAPAN INTERNATIONAL COOPERATION AGENCY ASSIGNED TO: JAPAN PORT CONSULTANT (JPC) PACIFIC CONSULTANTS INTERNATIONAL (PCI) INTERNATIONAL DEVELOPMENT SYSTEM (IDS)</p>					<p align="center">PACKAGE 1 CONSTRUCTION OF PORT FACILITIES AND BUILDINGS FOR THI VAI AREA</p>														
REV NO	DATE	DESCRIPTION	BY	APP															



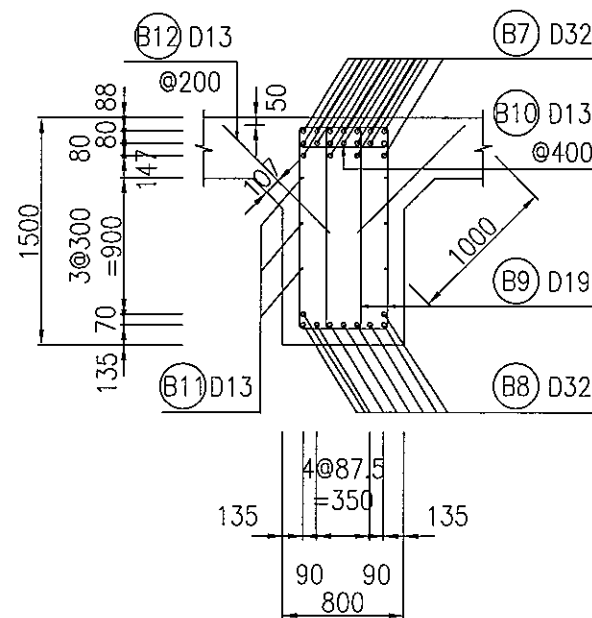
SECTION 1-1
SC=1/50



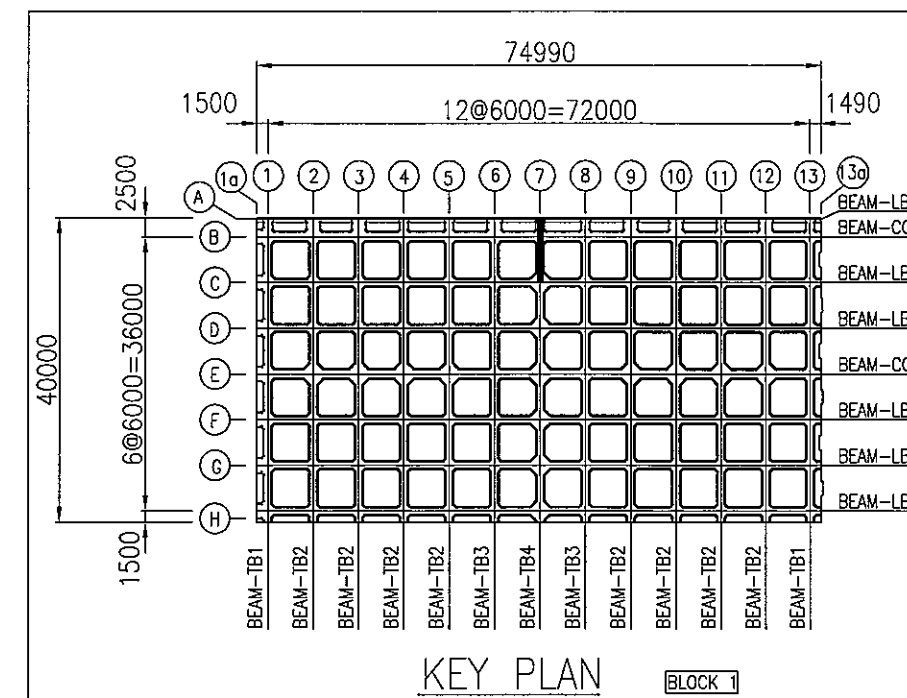
SECTION 2-2
SC=1/50



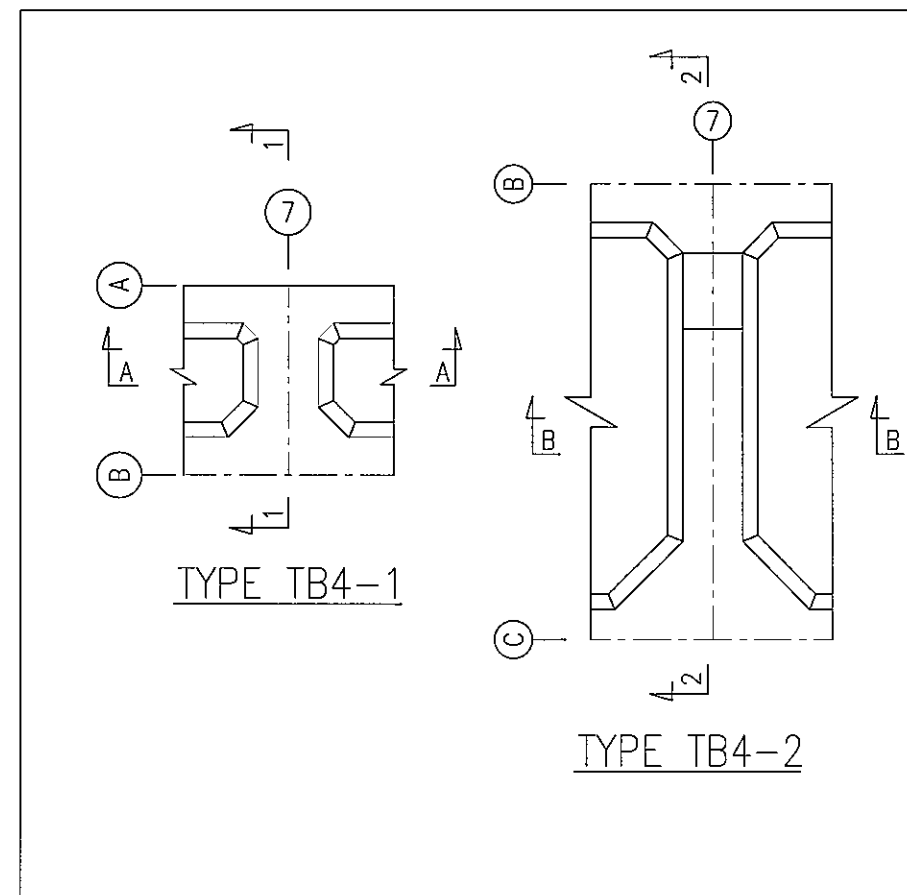
SECTION A-A
SC=1/50



SECTION B-B
SC=1/50



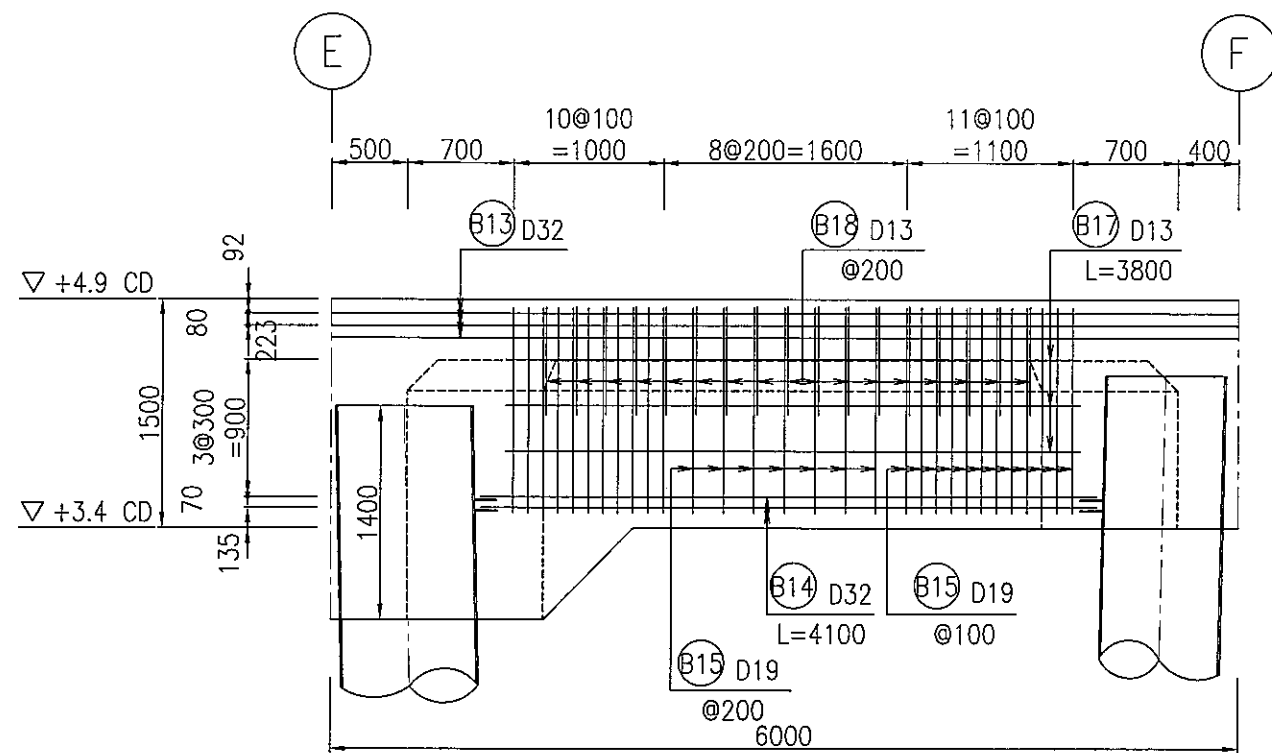
KEY PLAN
BLOCK 1



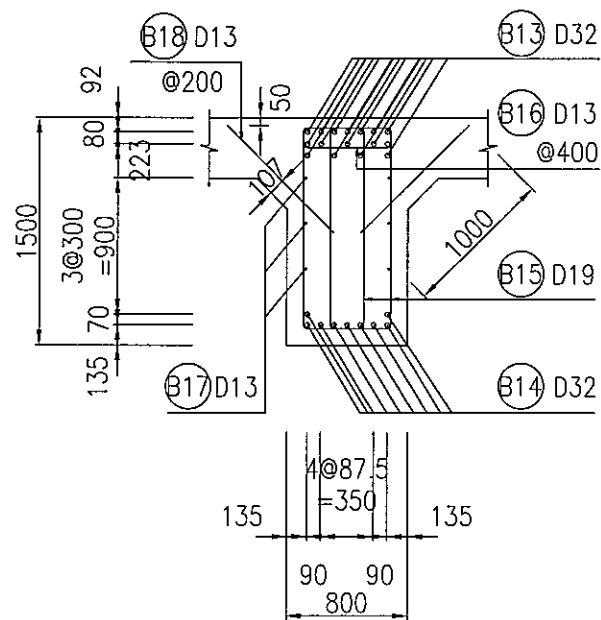
NOTES:

- DIMENSIONS ARE IN MILLIMETRES.
- ELEVATIONS ARE IN METRES - CHART DATUM.

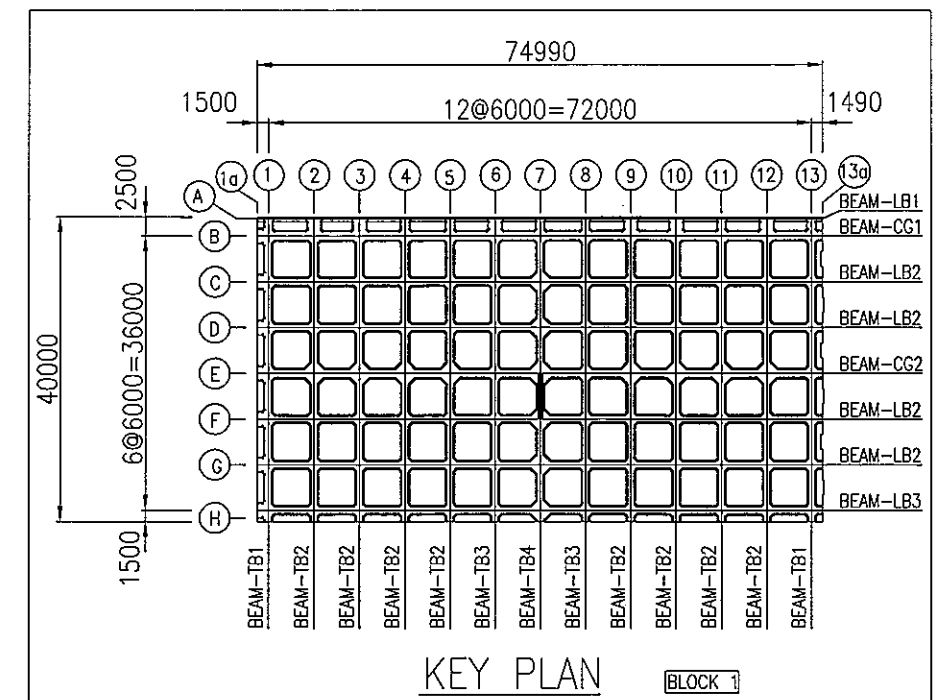
				THE SOCIALIST REPUBLIC OF VIETNAM MINISTRY OF TRANSPORT PROJECT MANAGEMENT UNIT 55		CAI MEP - THI VAI INTERNATIONAL PORT CONSTRUCTION PROJECT		DESIGNED BY: BUI AN LOC		SECTION: CIVIL WORKS	
				JAPAN INTERNATIONAL COOPERATION AGENCY ASSIGNED TO: JAPAN PORT CONSULTANT (JPC) PACIFIC CONSULTANTS INTERNATIONAL (PCI) INTERNATIONAL DEVELOPMENT SYSTEM (IDS)		PACKAGE 2 CONSTRUCTION OF PORT FACILITIES AND BUILDINGS FOR THI VAI AREA		DRAWN BY: P. T. THANH PHUONG		SUB-SECTION: QUAY FACILITY	
								CHECKED BY: YOSHIDA Y.		TITLE OF DRAWING: ARRANGMENT REINFORCEMENT OF BEAM TB4 [1]	
								APPROVED BY: NAGAI K.		DWG NO.: PAC2-TV-QAF-035	
REV NO	DATE	DESCRIPTION	BY	APP			ISSUE DATE: 15/SEP/2005				REV. NO
							SCALE: 1/50				



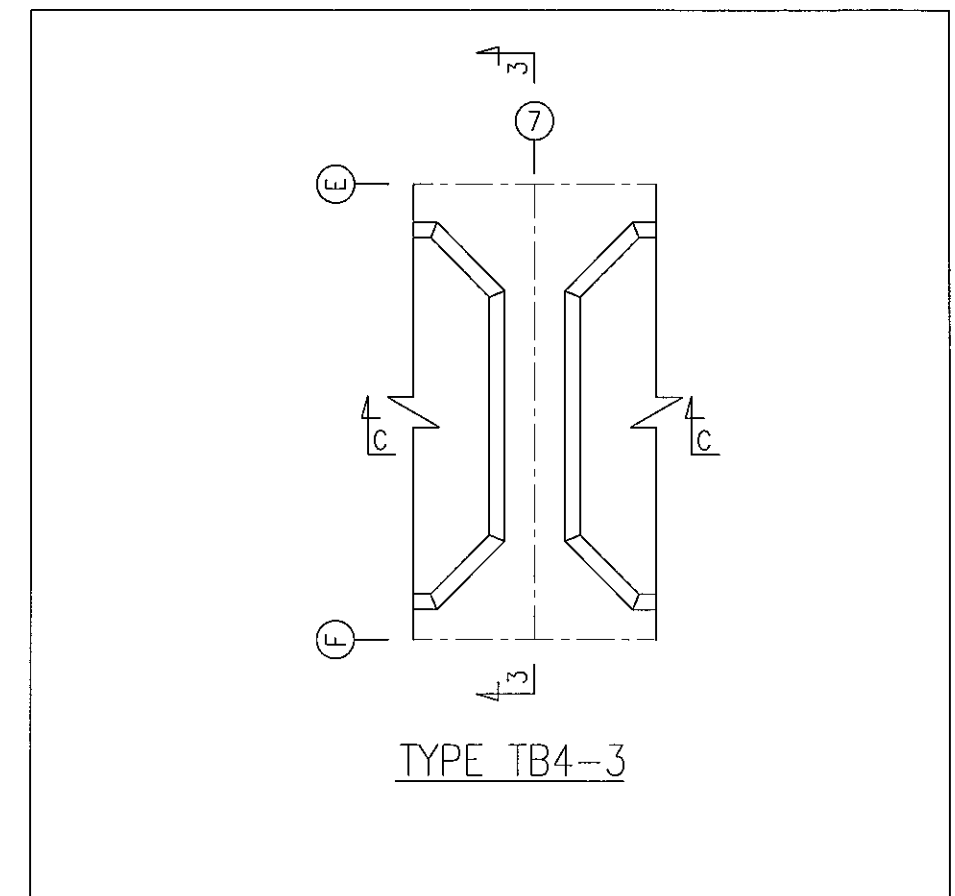
SECTION 3-3
SC=1/50



SECTION C-C
SC=1/50



KEY PLAN
BLOCK 1

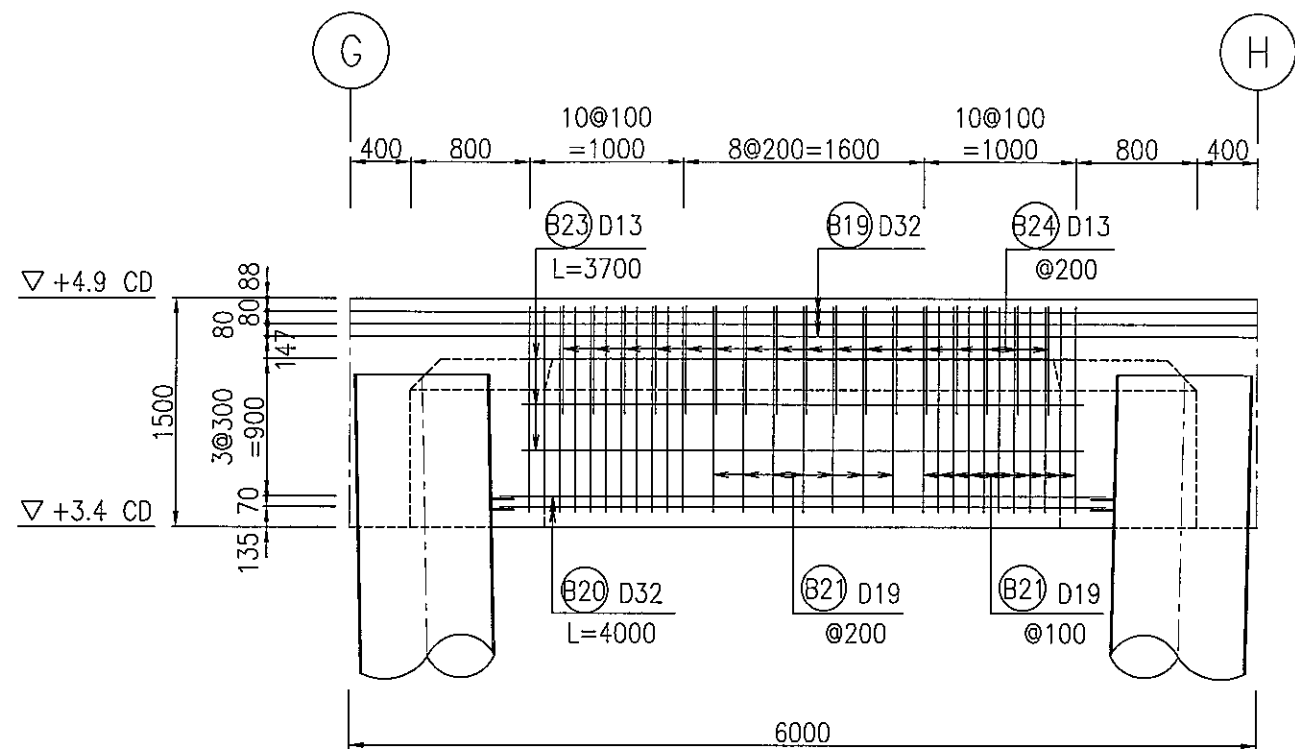


TYPE TB4-3

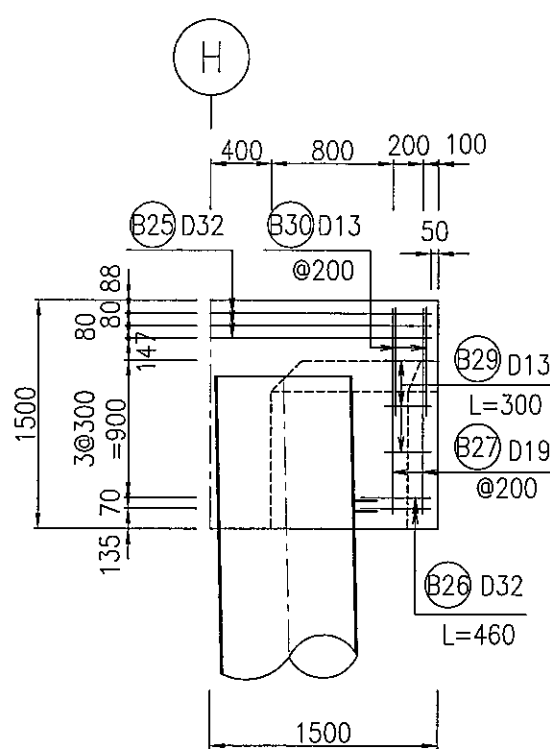
NOTES:

- DIMENSIONS ARE IN MILLIMETRES.
- ELEVATIONS ARE IN METRES - CHART DATUM.

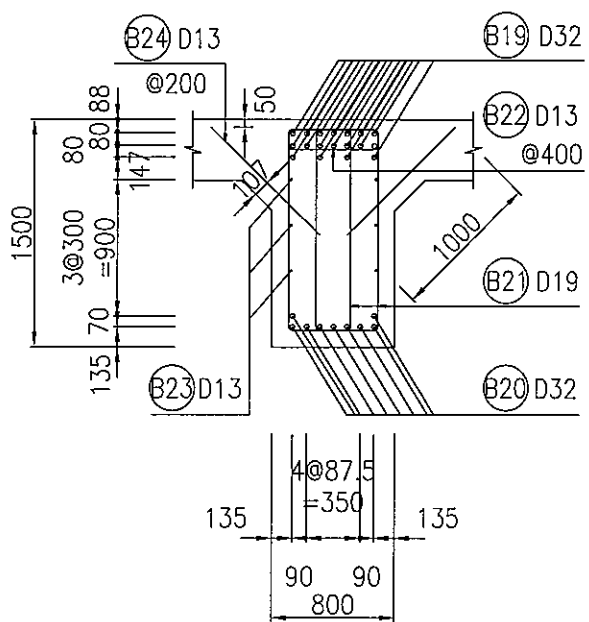
THE SOCIALIST REPUBLIC OF VIETNAM MINISTRY OF TRANSPORT PROJECT MANAGEMENT UNIT 85					CAI MEP - THI VAI INTERNATIONAL PORT CONSTRUCTION PROJECT			DESIGNED BY: BUI AN LOC		SECTION: CIVIL WORKS	
JAPAN INTERNATIONAL COOPERATION AGENCY ASSIGNED TO: JAPAN PORT CONSULTANT (JPC) PACIFIC CONSULTANTS INTERNATIONAL (PCI) INTERNATIONAL DEVELOPMENT SYSTEM (IDS)					PACKAGE 2 CONSTRUCTION OF PORT FACILITIES AND BUILDINGS FOR THI VAI AREA			DRAWN BY: P. T. THANH PHUONG		SUB-SECTION: QUAY FACILITY	
					APPROVED BY: NAGAI K.			CHECKED BY: YOSHIDA Y.		TITLE OF DRAWING: ARRANGEMENT REINFORCEMENT OF BEAM TB4 [2]	
REV NO	DATE	DESCRIPTION	BY	APP	ISSUE DATE: 15/SEP/2005			DWG NO: PAC2-TV-QAF-036		REV. NO	
					SCALE: 1/50						



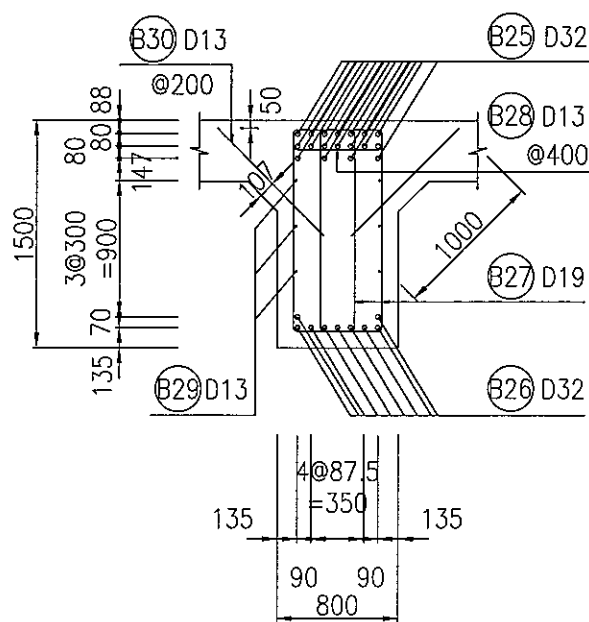
SECTION 4-4
SC=1/50



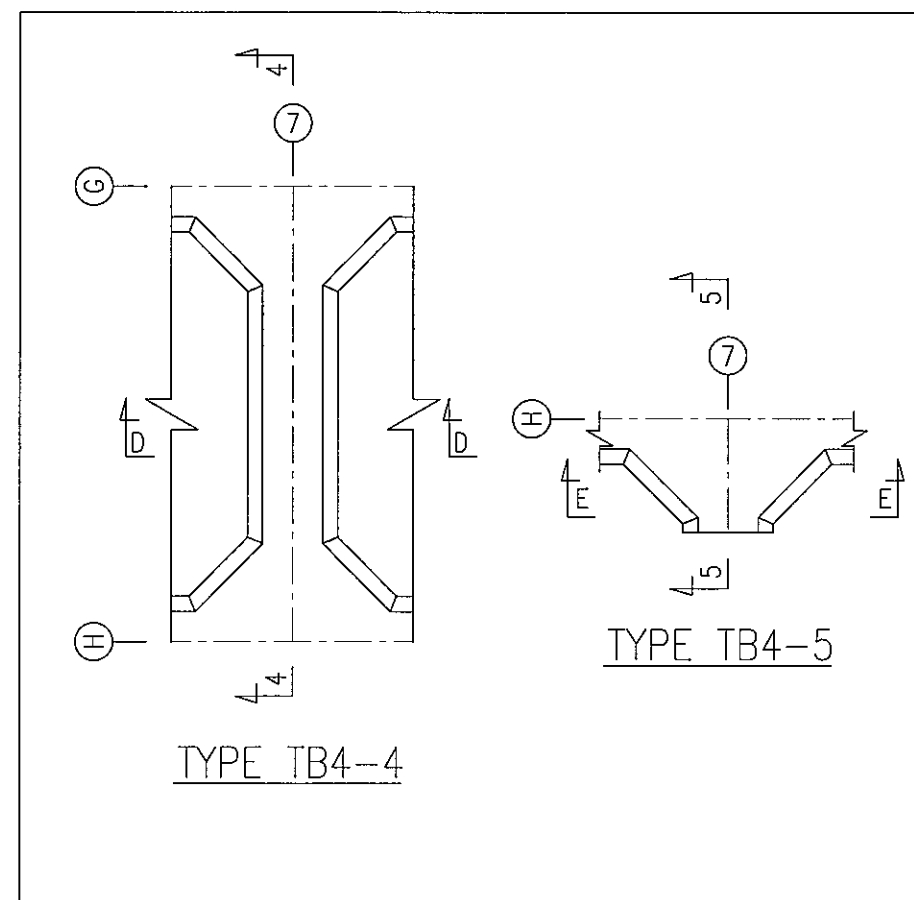
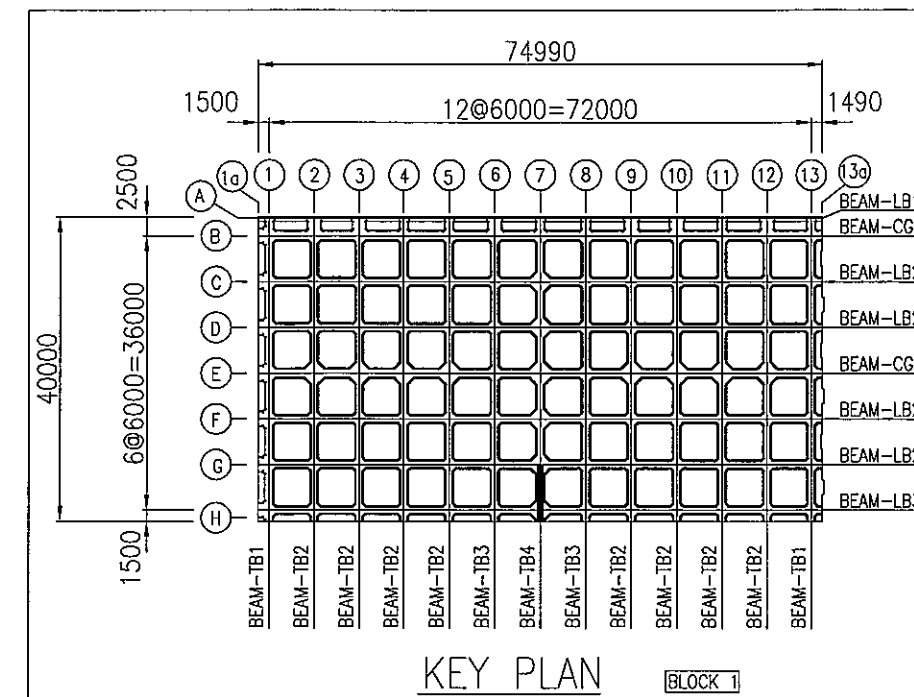
SECTION 5-5
SC=1/50



SECTION D-D
SC=1/50

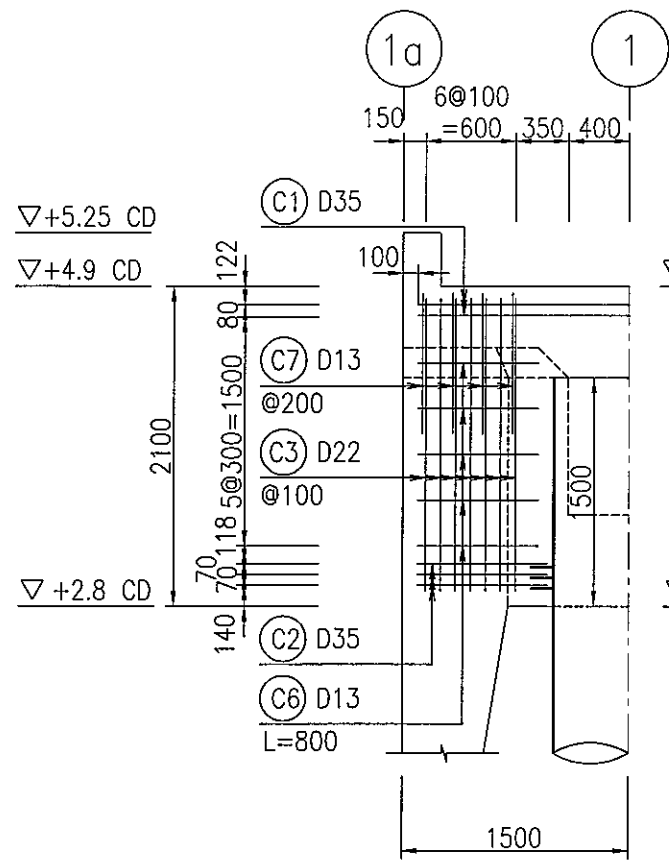


SECTION E-E
SC=1/50

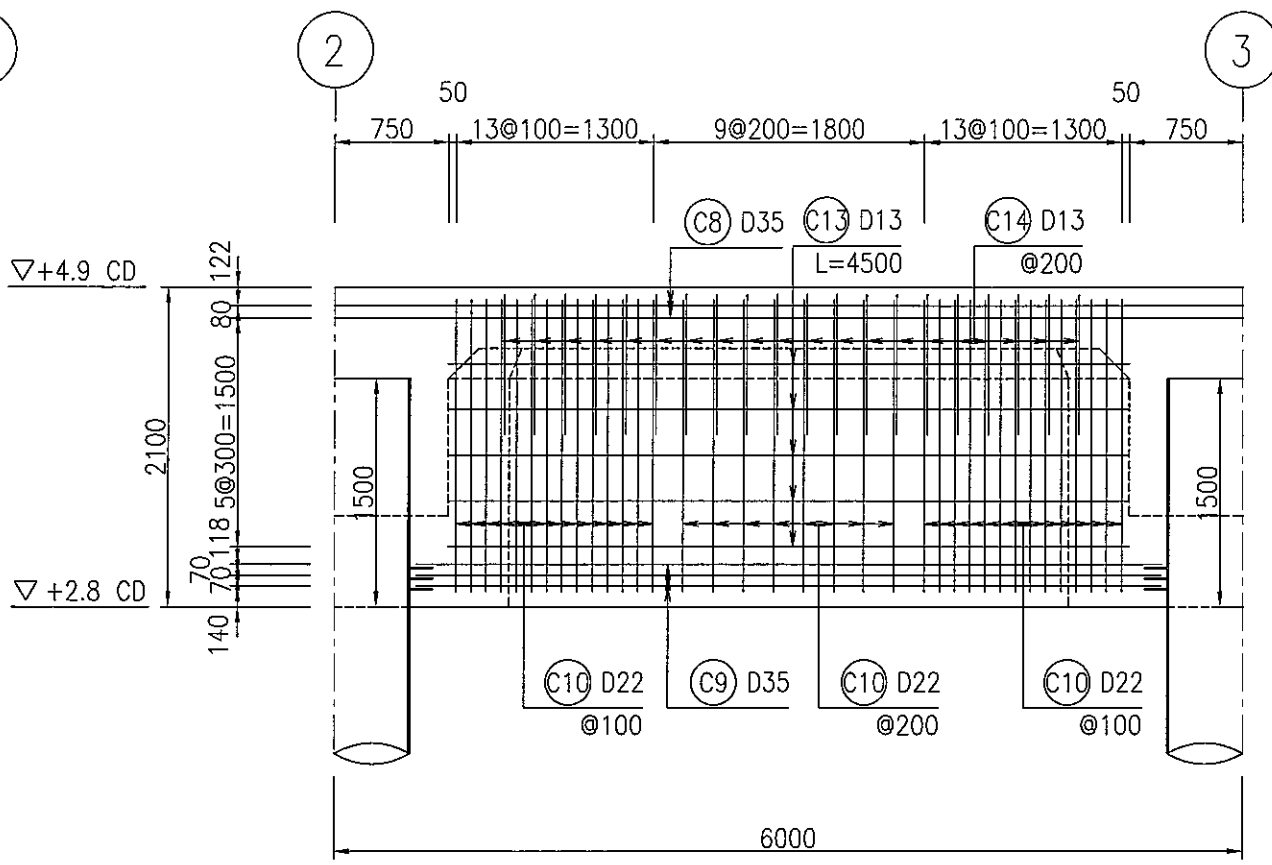


NOTES:
 - DIMENSIONS ARE IN MILLIMETRES.
 - ELEVATIONS ARE IN METRES - CHART DATUM.

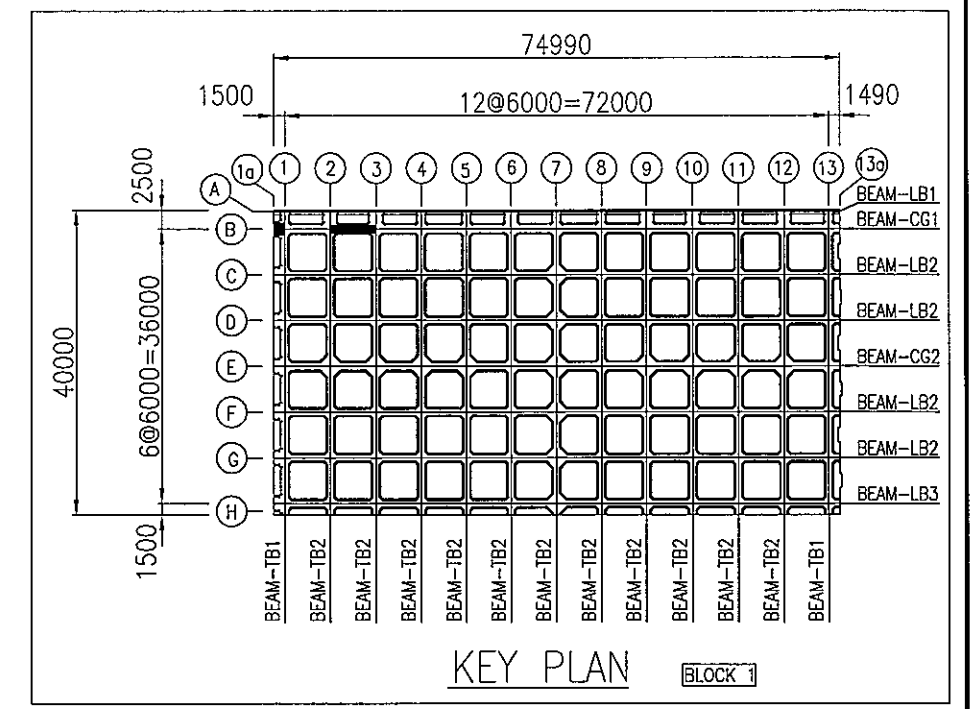
<p>THE SOCIALIST REPUBLIC OF VIETNAM MINISTRY OF TRANSPORT PROJECT MANAGEMENT UNIT 85</p>					<p>CAI MEP - THI VAI INTERNATIONAL PORT CONSTRUCTION PROJECT</p>					<p>DESIGNED BY: BUI AN LOC DRAWN BY: P. T. THANH PHUONG CHECKED BY: YOSHIDA Y. APPROVED BY: NAGAI K. ISSUE DATE: 15/SEP/2005 SCALE: 1/50</p>					<p>SECTION: CIVIL WORKS SUB-SECTION: QUAY FACILITY TITLE OF DRAWING: ARRANGEMENT REINFORCEMENT OF BEAM TB4 [3] DWG NO: PAC2-TV-QAF-037 REV. NO</p>				
REV NO	DATE	DESCRIPTION	BY	APP	<p>JICA JAPAN INTERNATIONAL COOPERATION AGENCY ASSIGNED TO: JAPAN PORT CONSULTANT (JPC) PACIFIC CONSULTANTS INTERNATIONAL (PCI) INTERNATIONAL DEVELOPMENT SYSTEM (IDS)</p>					<p>PACKAGE 2 CONSTRUCTION OF PORT FACILITIES AND BUILDINGS FOR THI VAI AREA</p>									



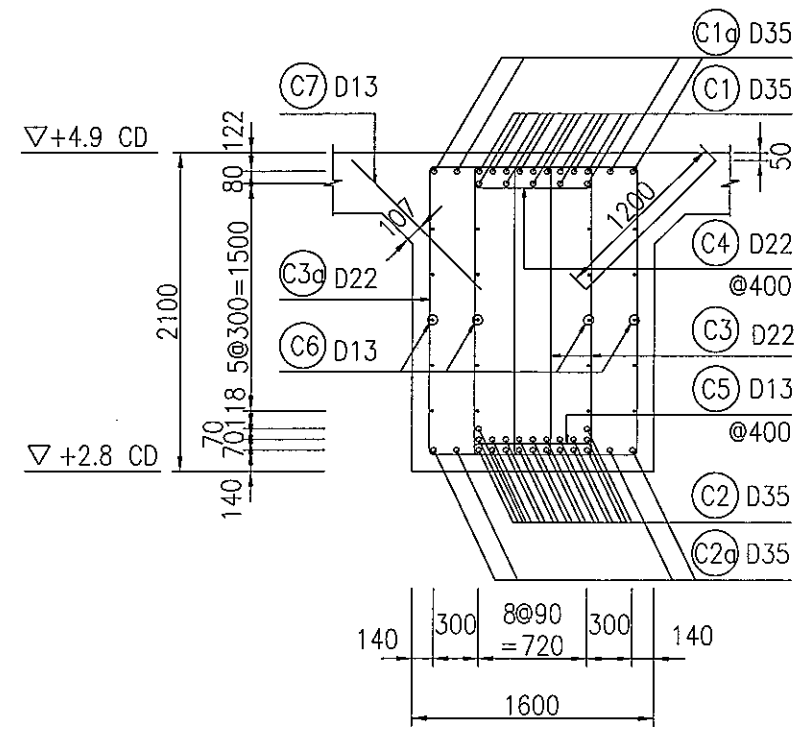
SECTION A-A
SC=1/50



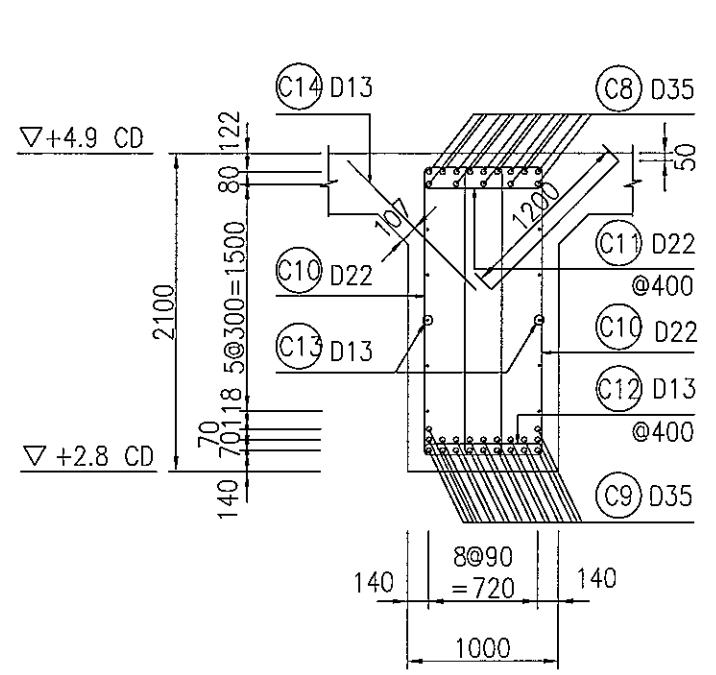
SECTION B-B
SC=1/50



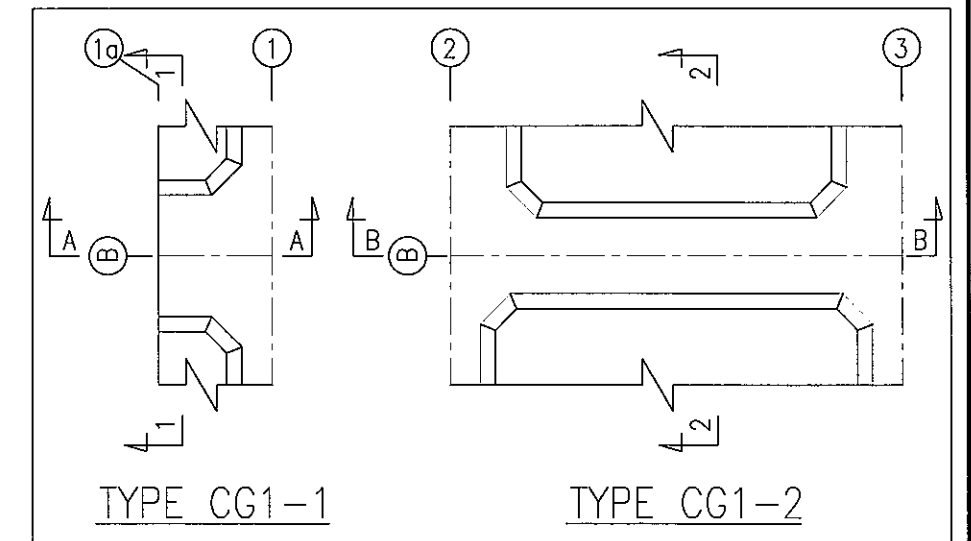
KEY PLAN BLOCK 1



SECTION 1-1
SC=1/50



SECTION 2-2
SC=1/50



TYPE CG1-1

TYPE CG1-2

NOTES:

- DIMENSIONS ARE IN MILLIMETRES.
- ELEVATIONS ARE IN METRES - CHART DATUM.

THE SOCIALIST REPUBLIC OF VIETNAM
MINISTRY OF TRANSPORT
PROJECT MANAGEMENT UNIT 85

JICA
JAPAN INTERNATIONAL COOPERATION AGENCY
ASSIGNED TO:
JAPAN PORT CONSULTANT (JPC)
PACIFIC CONSULTANTS INTERNATIONAL (PCI)
INTERNATIONAL DEVELOPMENT SYSTEM (IDS)

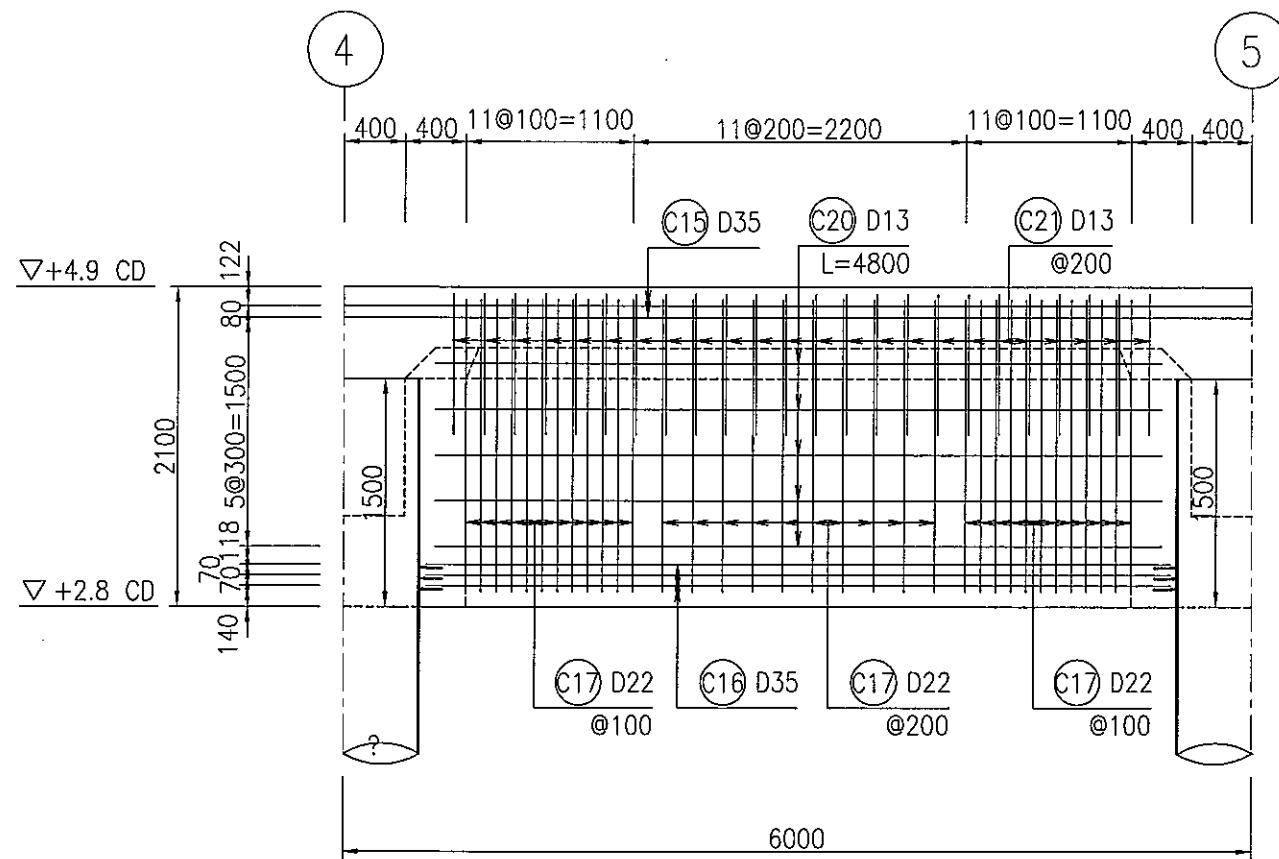
CAI MEP - THI VAI INTERNATIONAL PORT
CONSTRUCTION PROJECT

PACKAGE 2
CONSTRUCTION OF PORT FACILITIES AND BUILDINGS FOR
THI VAI AREA

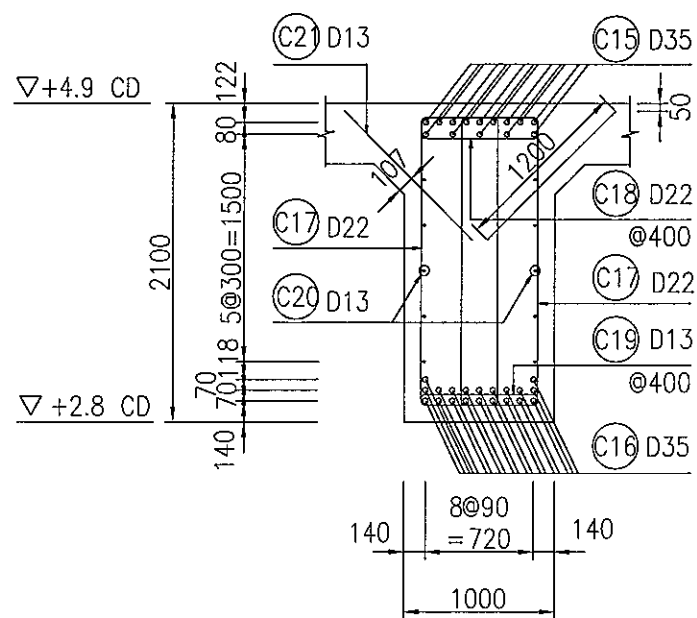
DESIGNED BY: BUI AN LOC
DRAWN BY: NGUYEN SY DUNG
CHECKED BY: YOSHIDA Y.
APPROVED BY: NAGAI K.
ISSUE DATE: 15/SEP/2005
SCALE: 1/50, 1/100, 1/1000

SECTION: CIVIL WORKS
SUB-SECTION: QUAY FACILITY
TITLE OF DRAWING: BARS ARRANGEMENT OF BEAM CG1 [1]
DWG NO: PAC2-TV-QAF-038
REV. NO

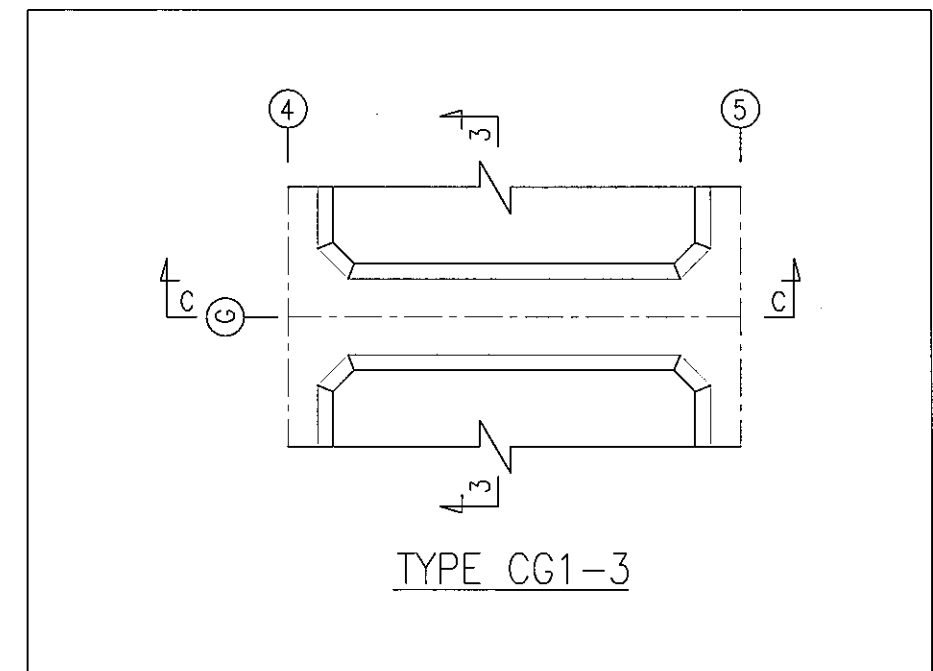
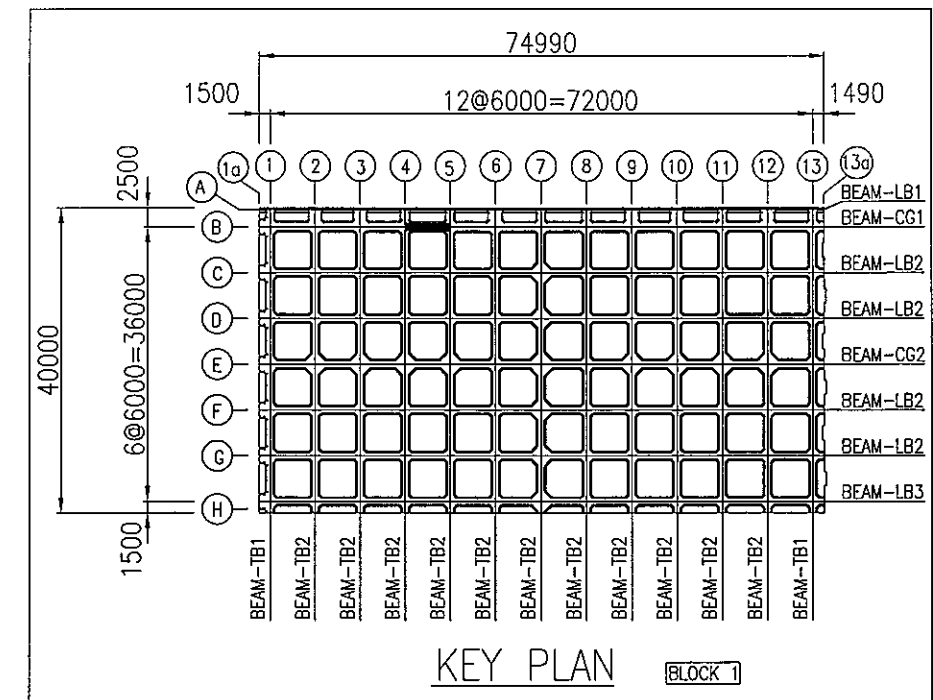
REV. NO	DATE	DESCRIPTION	BY	APP



SECTION C-C
SC=1/50

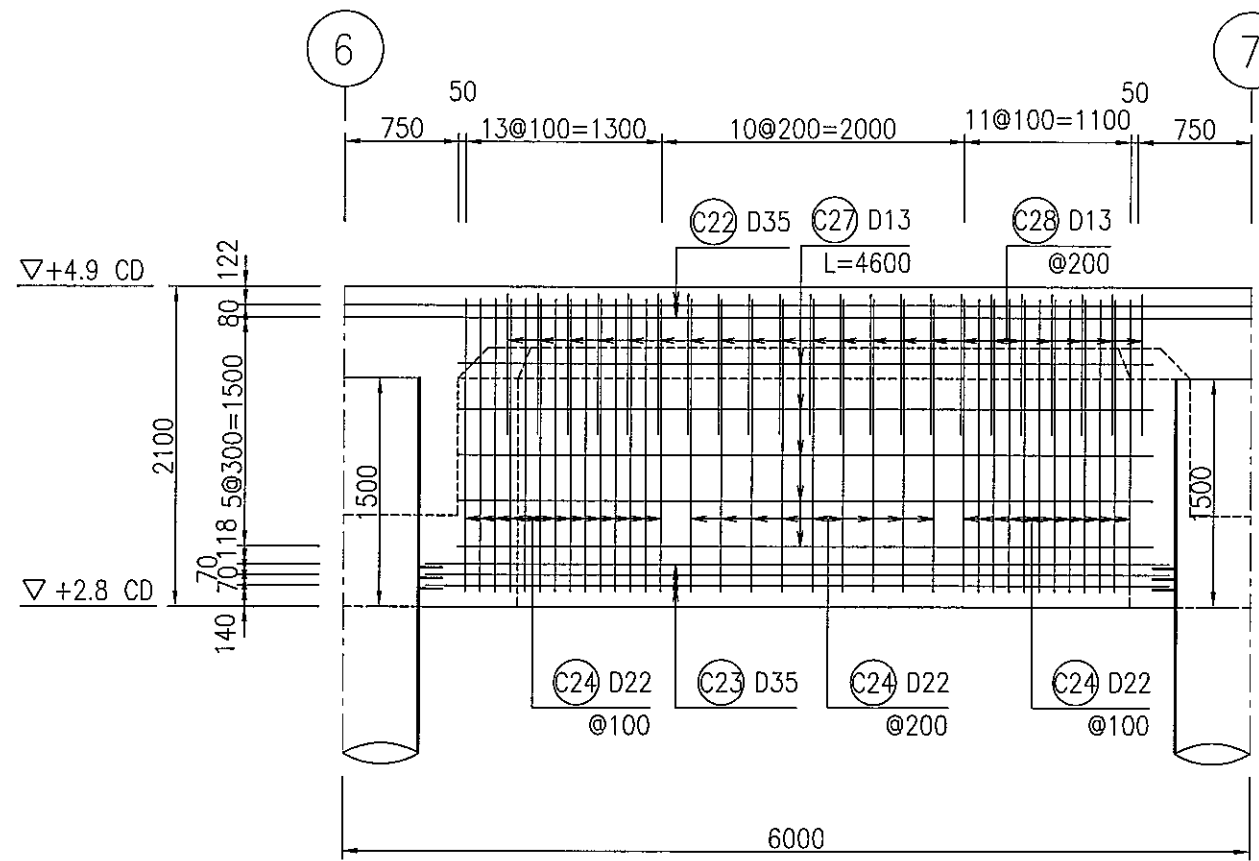


SECTION 3-3
SC=1/50

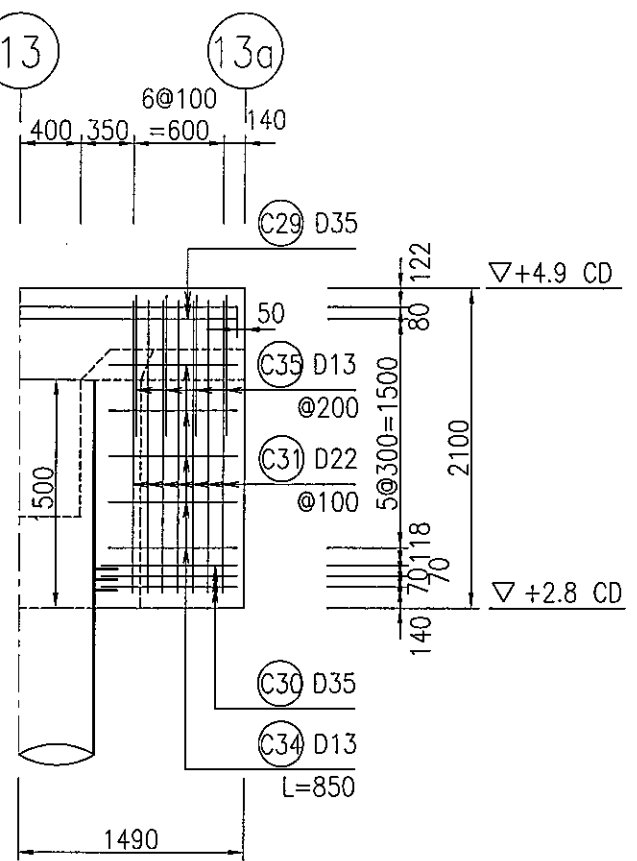


NOTES:
 - DIMENSIONS ARE IN MILLIMETRES.
 - ELEVATIONS ARE IN METRES - CHART DATUM.

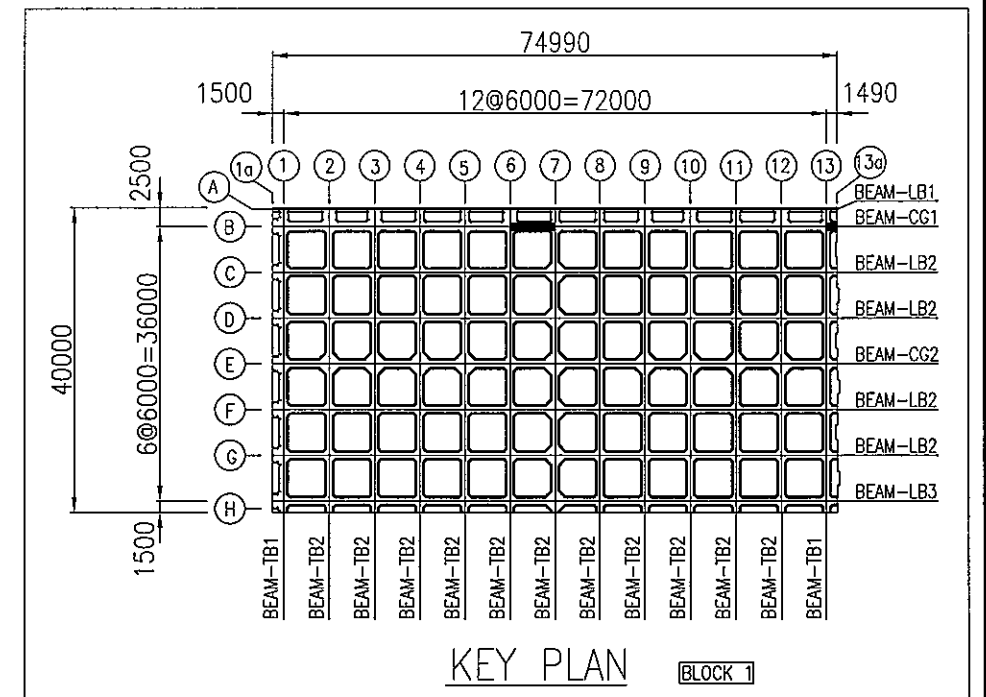
<p>THE SOCIALIST REPUBLIC OF VIETNAM MINISTRY OF TRANSPORT PROJECT MANAGEMENT UNIT 95</p>					<p>CAI MEP - THI VAI INTERNATIONAL PORT CONSTRUCTION PROJECT</p>		<p>DESIGNED BY: BUJ AN LOC DRAWN BY: NGO SY DUNG CHECKED BY: YOSHIDA Y. APPROVED BY: NAGAI K. ISSUE DATE: 15/SEP/2005 SCALE: 1/50, 1/100, 1/1000</p>		<p>SECTION: CIVIL WORKS SUB-SECTION: QUAY FACILITY TITLE OF DRAWING: BARS ARRANGEMENT OF BEAM CG1 [2] DWG NO: PAC2-TV-QAF-039</p>	
<p>JICA JAPAN INTERNATIONAL COOPERATION AGENCY ASSIGNED TO: JAPAN PORT CONSULTANT (JPC) PACIFIC CONSULTANTS INTERNATIONAL (PCI) INTERNATIONAL DEVELOPMENT SYSTEM (IDS)</p>					<p>PACKAGE 2 CONSTRUCTION OF PORT FACILITIES AND BUILDINGS FOR THI VAI AREA</p>					
REV NO	DATE	DESCRIPTION	BY	APP						



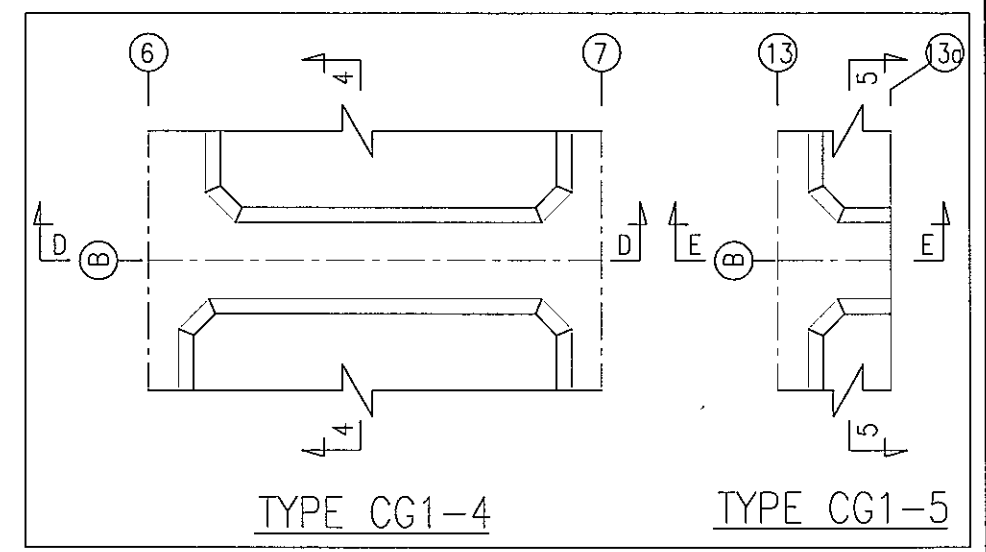
SECTION D-D
SC=1/50



SECTION E-E
SC=1/50

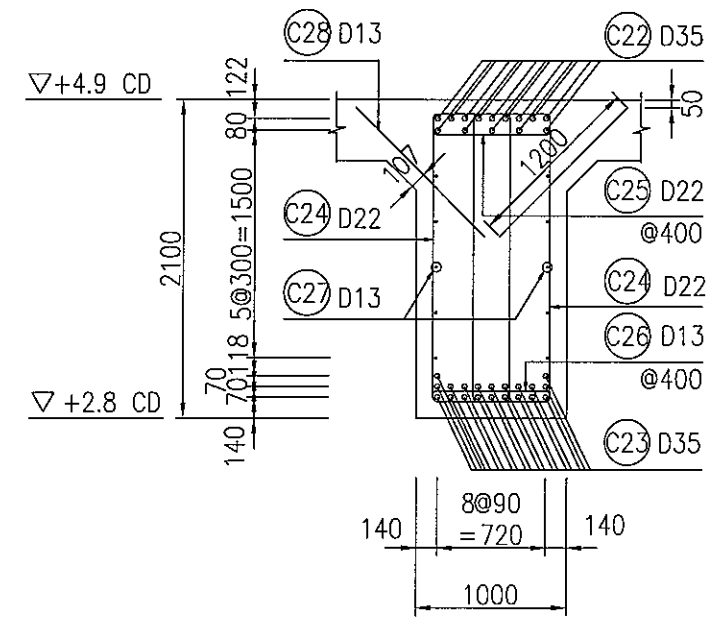


KEY PLAN BLOCK 1

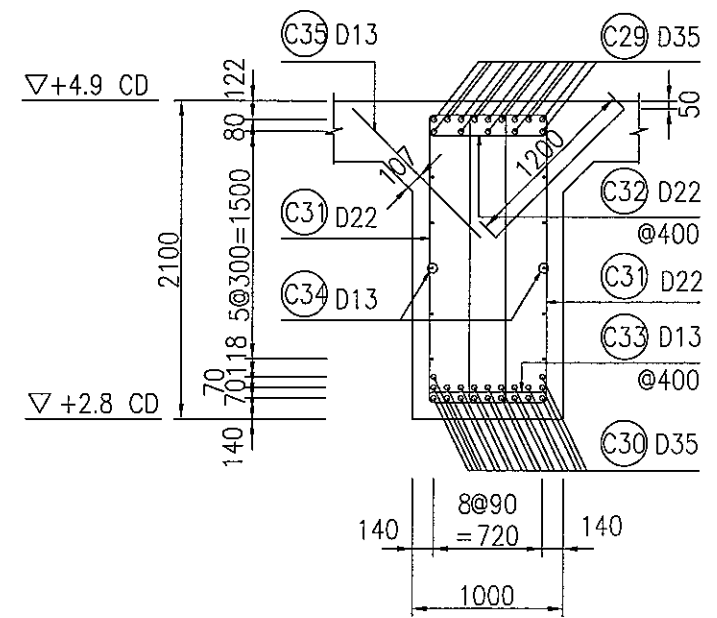


TYPE CG1-4

TYPE CG1-5



SECTION 4-4
SC=1/50



SECTION 5-5
SC=1/50

NOTES:
- DIMENSIONS ARE IN MILLIMETRES.
- ELEVATIONS ARE IN METRES - CHART DATUM.

REV NO	DATE	DESCRIPTION	BY	APP

THE SOCIALIST REPUBLIC OF VIETNAM
 MINISTRY OF TRANSPORT
 PROJECT MANAGEMENT UNIT 85

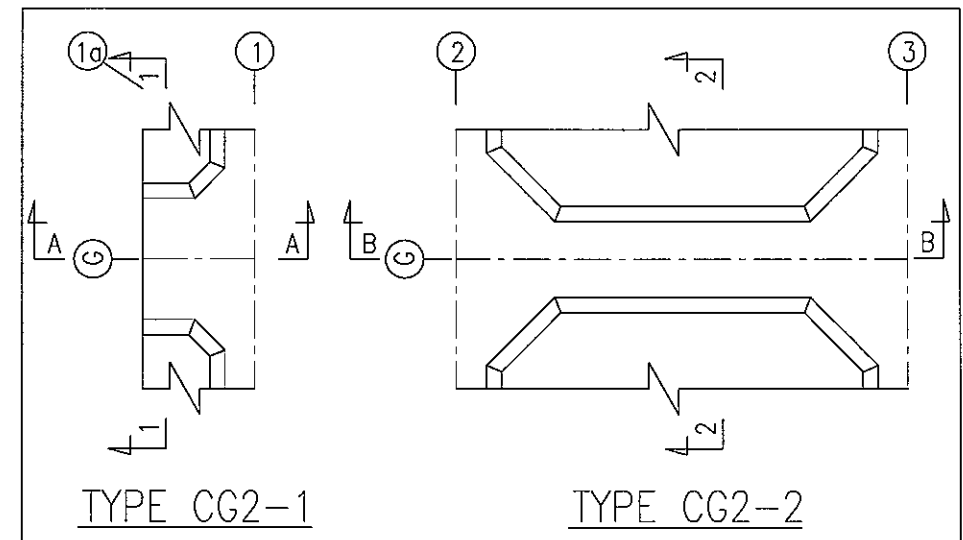
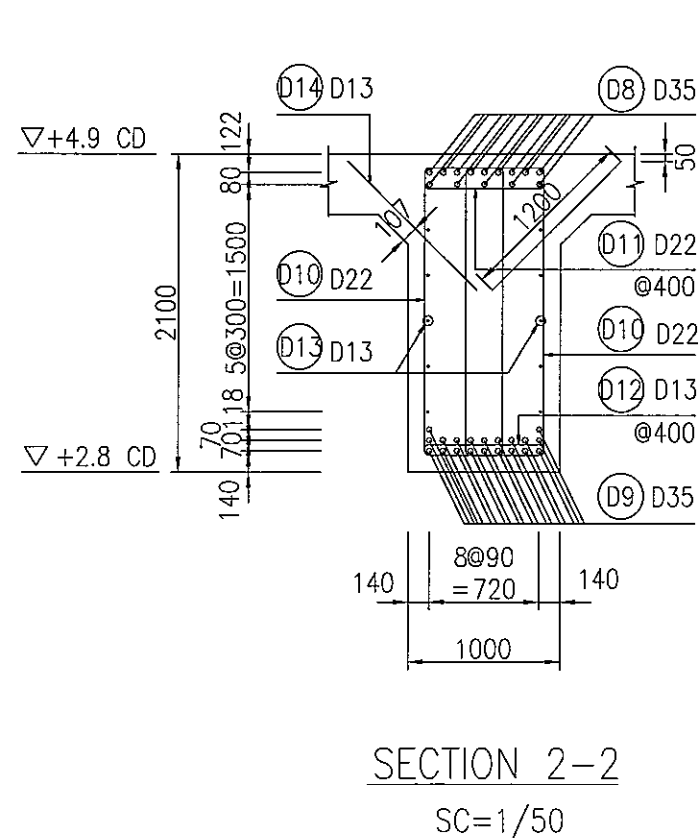
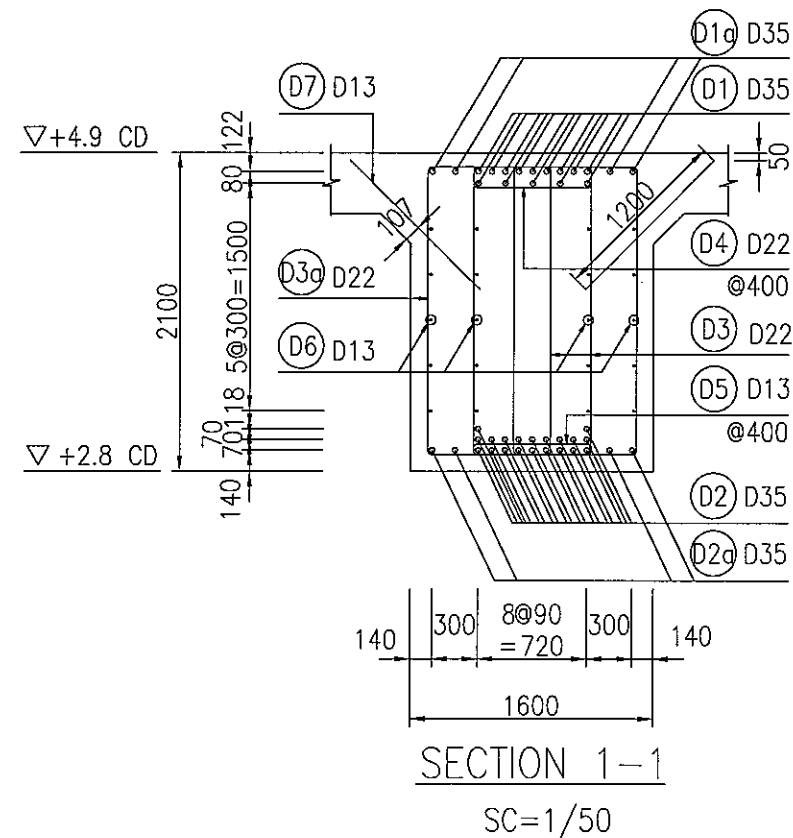
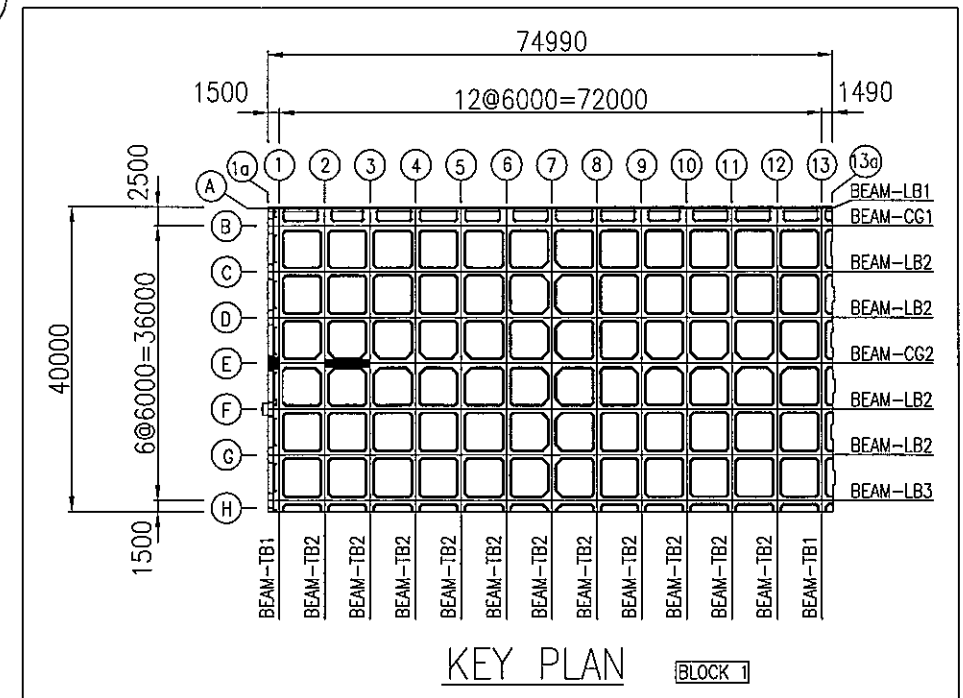
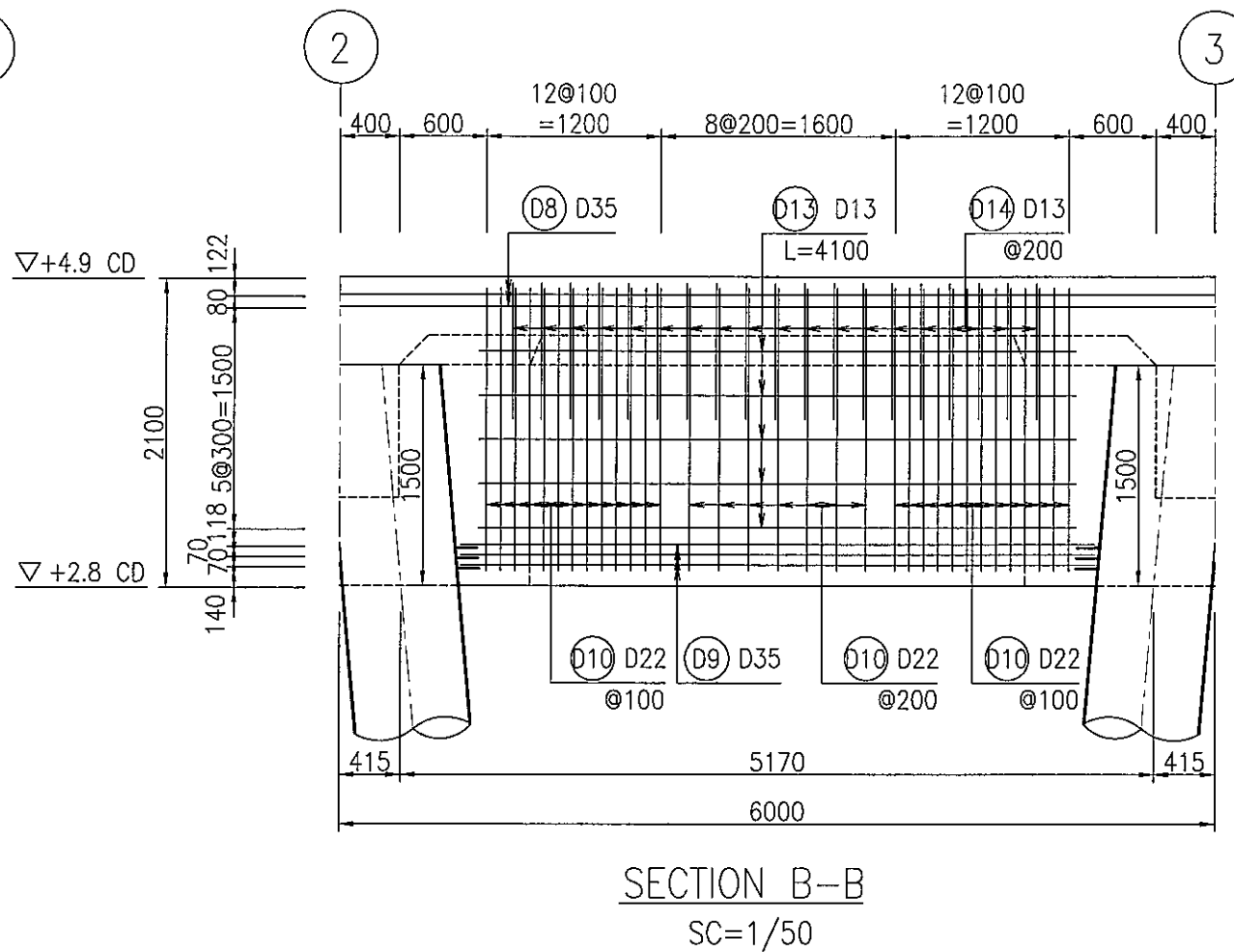
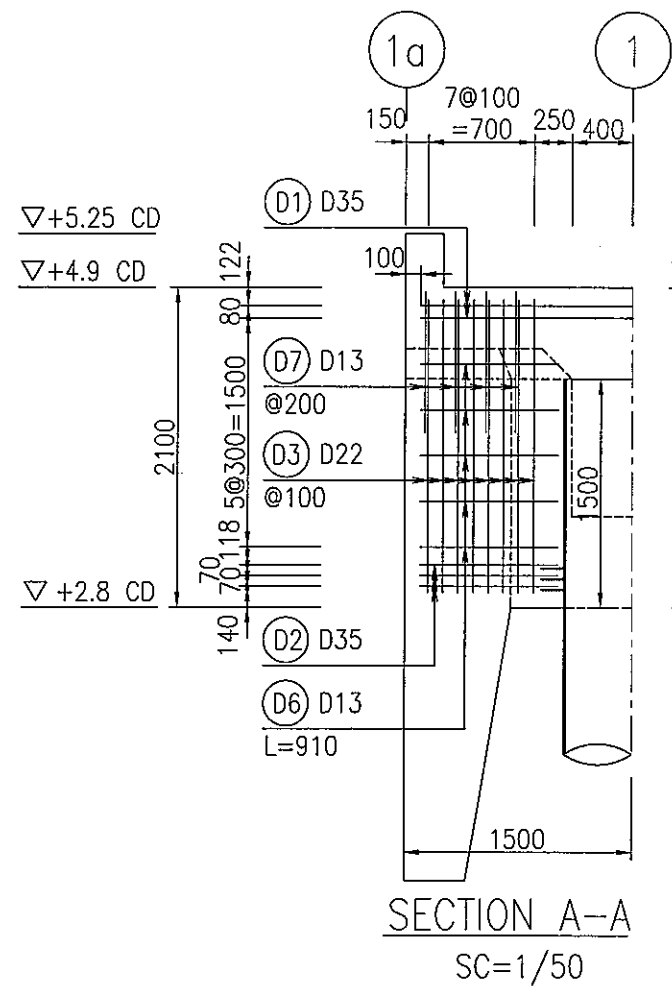
JAPAN INTERNATIONAL COOPERATION AGENCY
 ASSIGNED TO:
 JAPAN PORT CONSULTANT (JPC)
 PACIFIC CONSULTANTS INTERNATIONAL (PCI)
 INTERNATIONAL DEVELOPMENT SYSTEM (IDS)

CAI MEP - THI VAI INTERNATIONAL PORT
 CONSTRUCTION PROJECT

PACKAGE 2
 CONSTRUCTION OF PORT FACILITIES AND BUILDINGS FOR
 THI VAI AREA

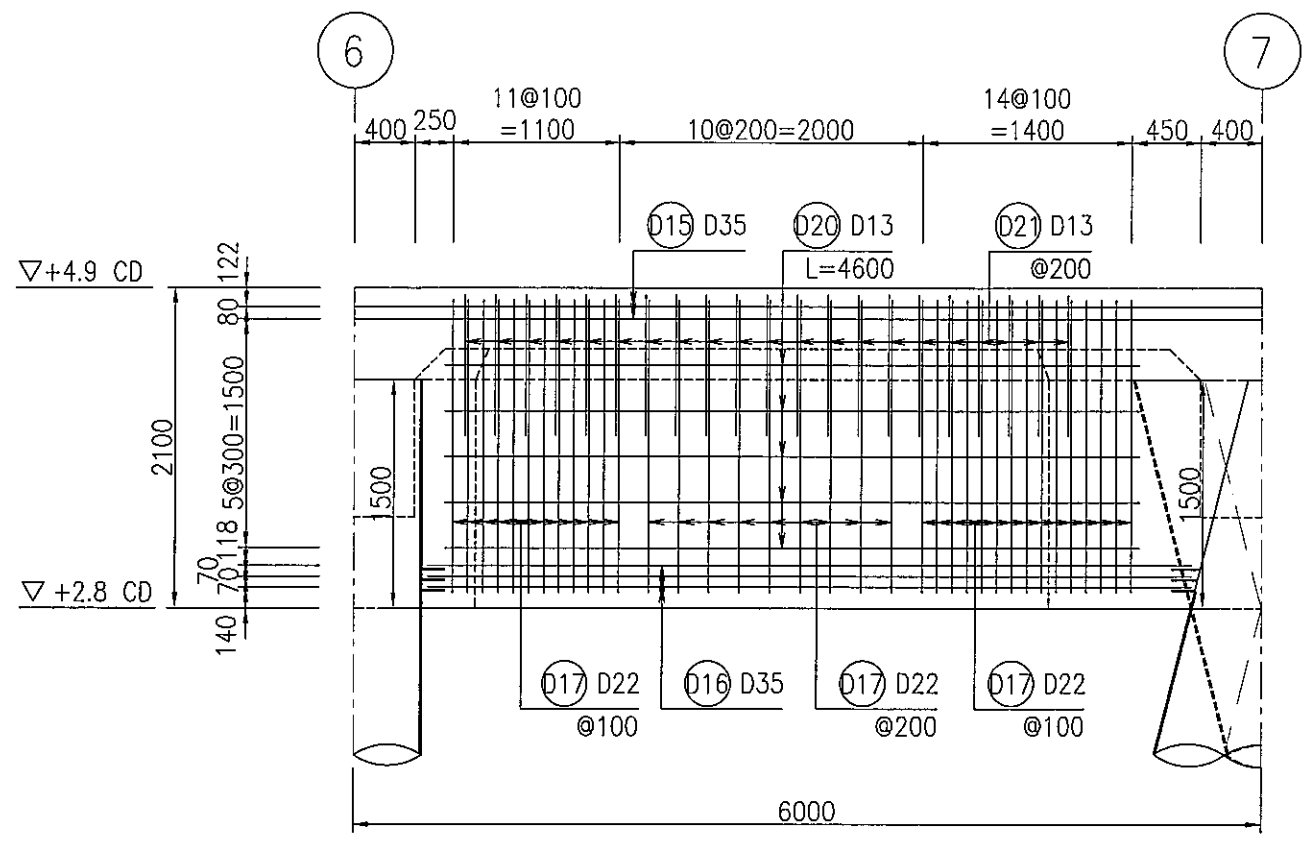
DESIGNED BY: *[Signature]*
 DRAWN BY: *[Signature]*
 CHECKED BY: *[Signature]*
 APPROVED BY: *[Signature]*
 ISSUE DATE: 15/SEP/2005
 SCALE: 1/50, 1/100, 1/1000

SECTION: CIVIL WORKS
 SUB-SECTION: QUAY FACILITY
 TITLE OF DRAWING: BARS ARRANGEMENT OF BEAM CG1 [3]
 DWG NO: PAC2-TV-QAF-040
 REV. NO:

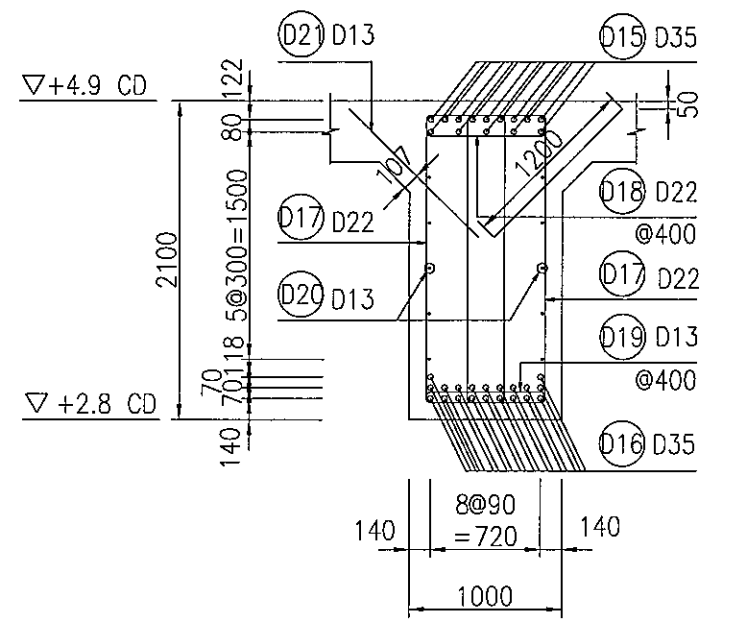


NOTES:
 - DIMENSIONS ARE IN MILLIIMETRES.
 - ELEVATIONS ARE IN METRES - CHART DATUM.

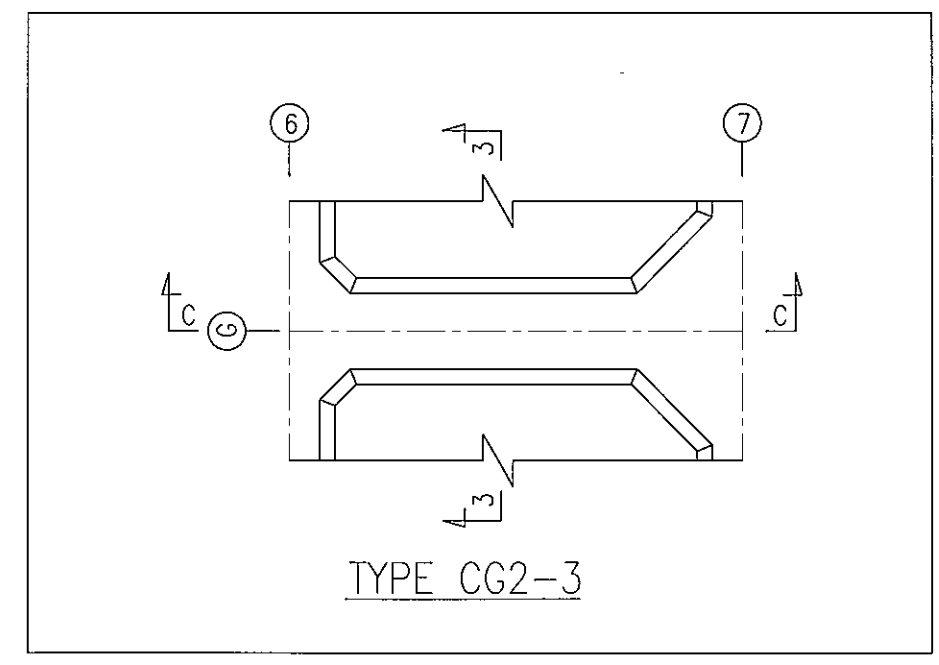
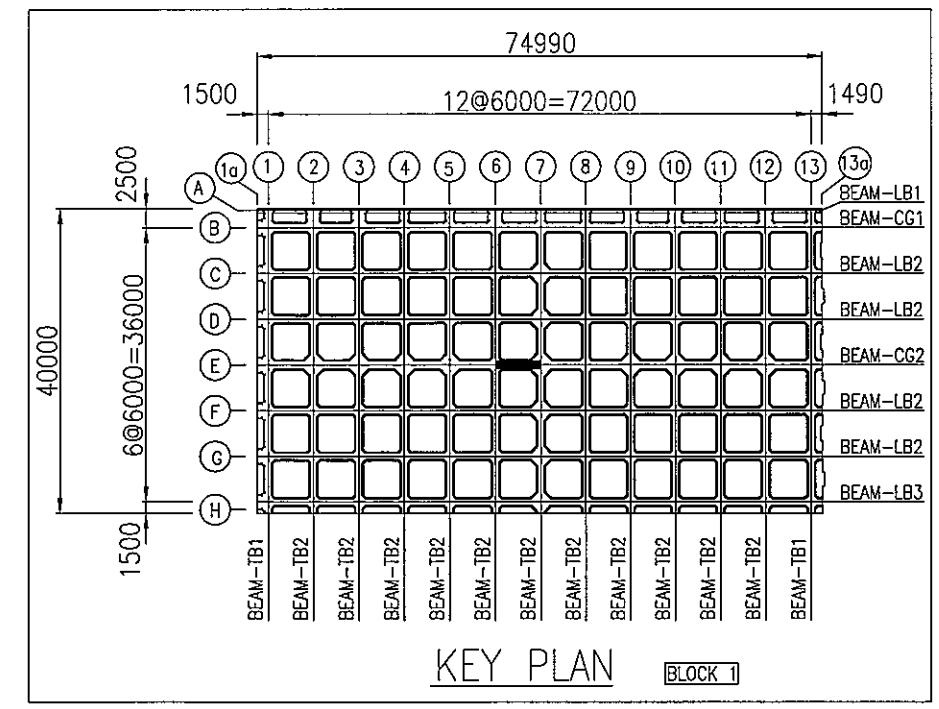
THE SOCIALIST REPUBLIC OF VIETNAM MINISTRY OF TRANSPORT PROJECT MANAGEMENT UNIT 85					CAI MEP - THI VAI INTERNATIONAL PORT CONSTRUCTION PROJECT					DESIGNED BY: BUI AN LOC		SECTION: CIVIL WORKS	
JICA JAPAN INTERNATIONAL COOPERATION AGENCY ASSIGNED TO: JAPAN PORT CONSULTANT (JPC) PACIFIC CONSULTANTS INTERNATIONAL (PCI) INTERNATIONAL DEVELOPMENT SYSTEM (IDS)					PACKAGE 2 CONSTRUCTION OF PORT FACILITIES AND BUILDINGS FOR THI VAI AREA					DRAWN BY: NGO SY DUNG		SUB-SECTION: QUAY FACILITY	
										CHECKED BY: YOSHIDA Y.		TITLE OF DRAWING: BARS ARRANGEMENT OF BEAM CG2 [1]	
										APPROVED BY: NAGAI K.		DWG NO: PAC2-TV-QAF-041	
										ISSUE DATE: 15/SEP/2005		REV. NO	
										SCALE: 1/50, 1/100, 1/1000			
REV. NO	DATE	DESCRIPTION	BY	APP									



SECTION C-C
SC=1/50

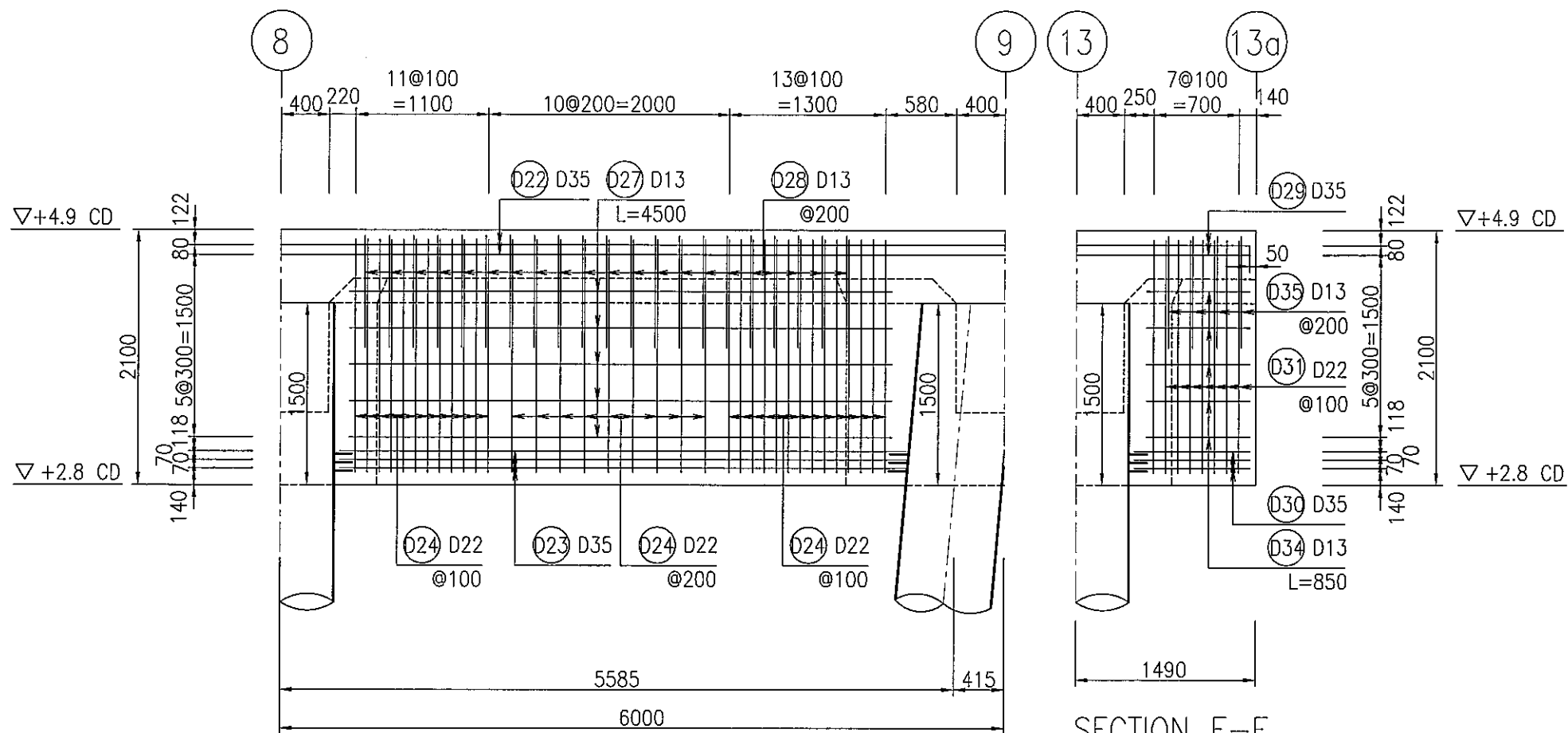


SECTION 3-3
SC=1/50



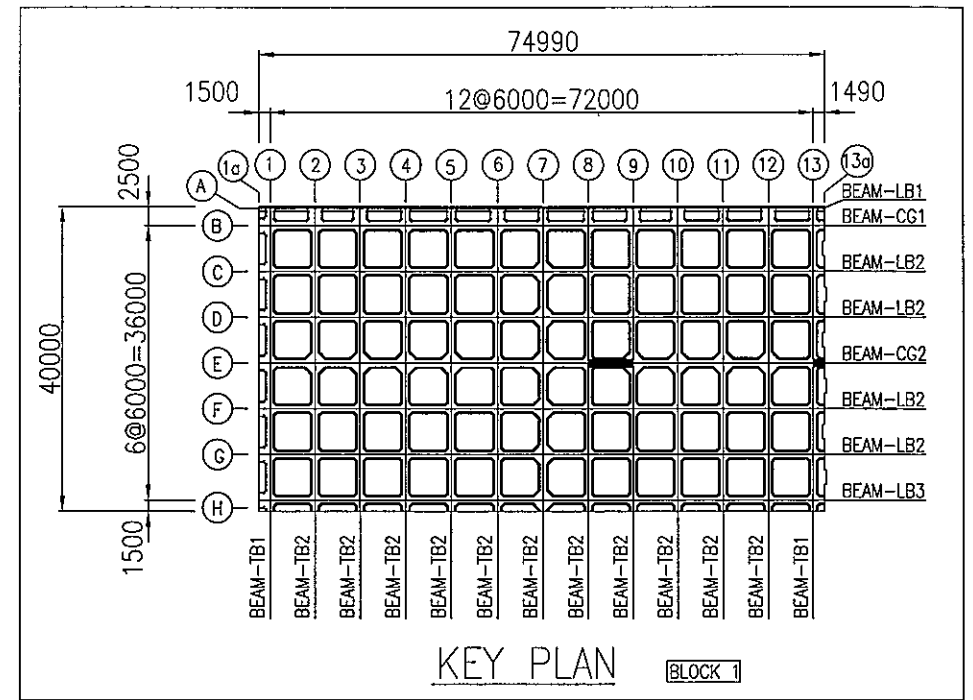
NOTES:
 - DIMENSIONS ARE IN MILLIMETRES.
 - ELEVATIONS ARE IN METRES - CHART DATUM.

<p align="center">THE SOCIALIST REPUBLIC OF VIETNAM MINISTRY OF TRANSPORT PROJECT MANAGEMENT UNIT 85</p>					<p align="center">CAI MEP - THI VAI INTERNATIONAL PORT CONSTRUCTION PROJECT</p>			<p>DESIGNED BY: BLI AN LOC DRAWN BY: NGO SY DUNG CHECKED BY: YOSHIDA Y. APPROVED BY: NAGAI K. ISSUE DATE: 15/SEP/2005</p>		<p>SECTION: CIVIL WORKS SUB-SECTION: QUAY FACILITY TITLE OF DRAWING: BARS ARRANGEMENT OF BEAM CG2 [2]</p>	
<p align="center">JICA JAPAN INTERNATIONAL COOPERATION AGENCY ASSIGNED TO: JAPAN PORT CONSULTANT (JPC) PACIFIC CONSULTANTS INTERNATIONAL (PCI) INTERNATIONAL DEVELOPMENT SYSTEM (IDS)</p>					<p align="center">PACKAGE 2 CONSTRUCTION OF PORT FACILITIES AND BUILDINGS FOR THI VAI AREA</p>			<p>SCALE: 1/50, 1/100, 1/1000</p>		<p>DWG NO: PAC2-TV-QAF-042 REV. NO</p>	
REV NO	DATE	DESCRIPTION	BY	APP							

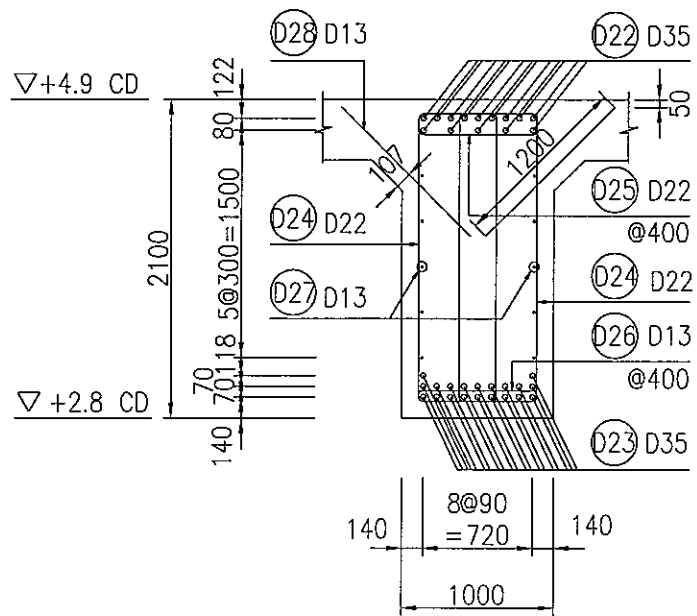


SECTION D-D
SC=1/50

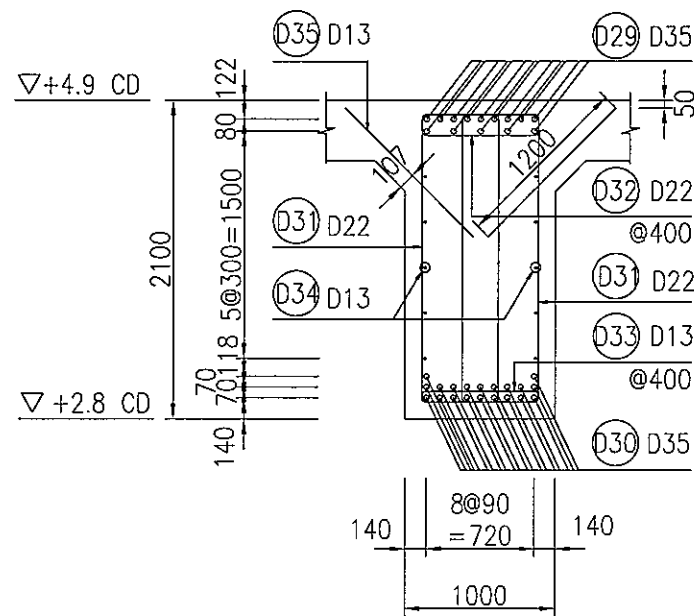
SECTION E-E
SC=1/50



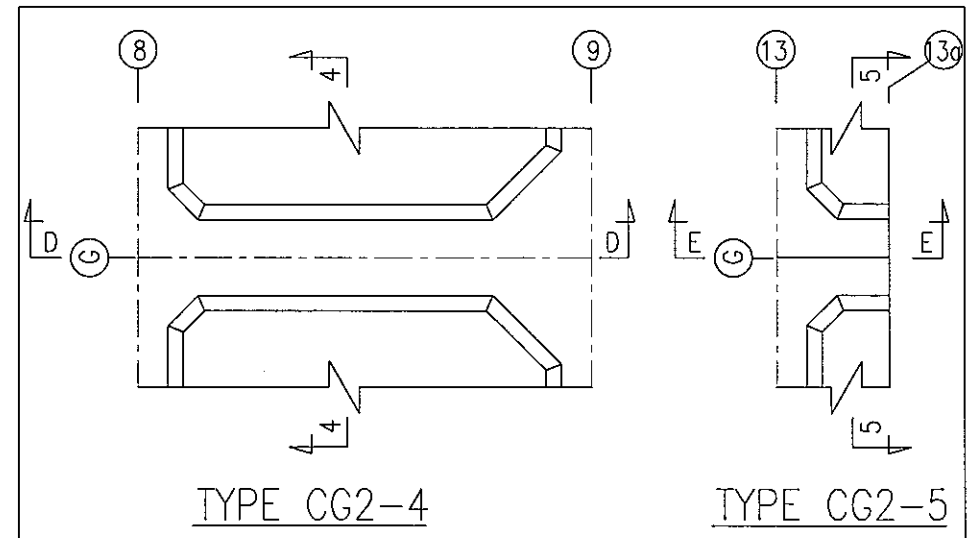
KEY PLAN
BLOCK 1



SECTION 4-4
SC=1/50



SECTION 5-5
SC=1/50



TYPE CG2-4

TYPE CG2-5

NOTES:

- DIMENSIONS ARE IN MILLIMETRES.
- ELEVATIONS ARE IN METRES - CHART DATUM.

THE SOCIALIST REPUBLIC OF VIETNAM

MINISTRY OF TRANSPORT

PROJECT MANAGEMENT UNIT 85



JAPAN INTERNATIONAL COOPERATION AGENCY
ASSIGNED TO:
JAPAN PORT CONSULTANT (JPC)
PACIFIC CONSULTANTS INTERNATIONAL (PCI)
INTERNATIONAL DEVELOPMENT SYSTEM (IDS)

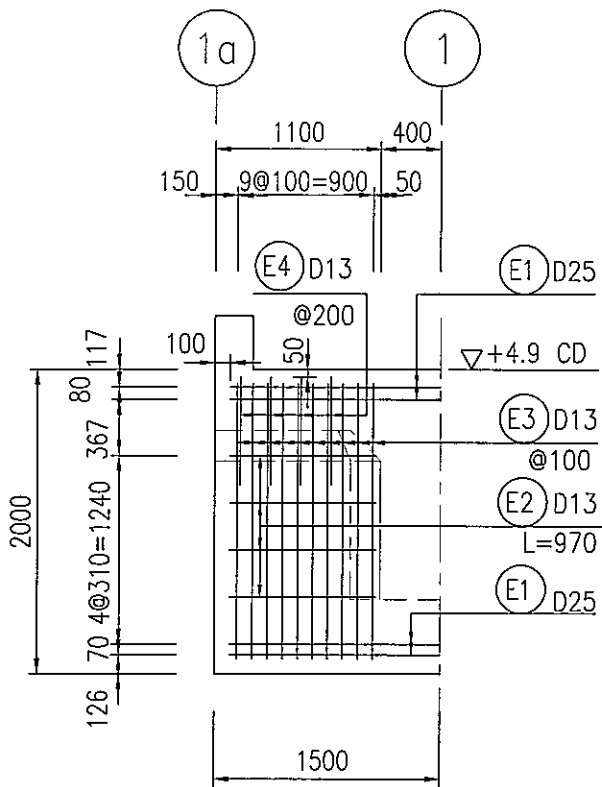
CAI MEP - THI VAI INTERNATIONAL PORT
CONSTRUCTION PROJECT

PACKAGE 2
CONSTRUCTION OF PORT FACILITIES AND BUILDINGS FOR
THI VAI AREA

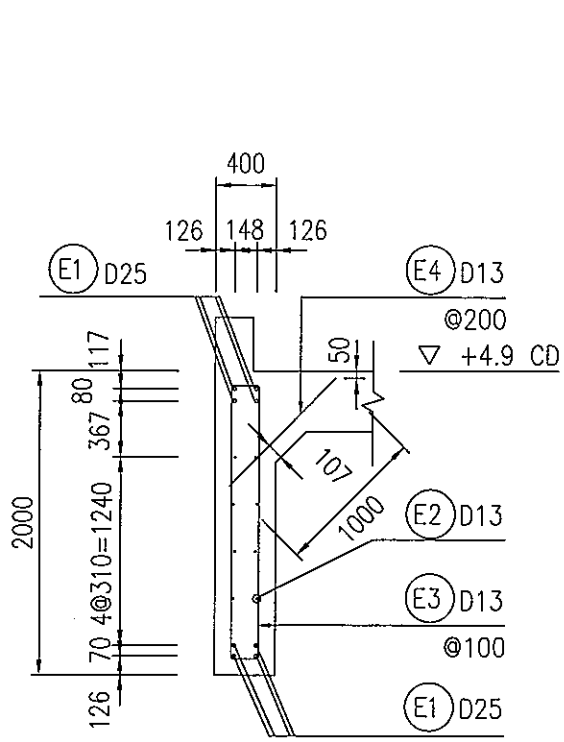
DESIGNED BY:
BUI AN LOC
DRAWN BY:
NGO SY DUNG
CHECKED BY:
YOSHIDA Y.
APPROVED BY:
NAGAI K.
ISSUE DATE:
15/SEP/2005
SCALE:
1/50, 1/100, 1/1000

SECTION:
CIVIL WORKS
SUB-SECTION:
QUAY FACILITY
TITLE OF DRAWING:
BARS ARRANGEMENT OF BEAM CG2 [3]
DWG NO:
PAC2-TV-QAF-043
REV. NO

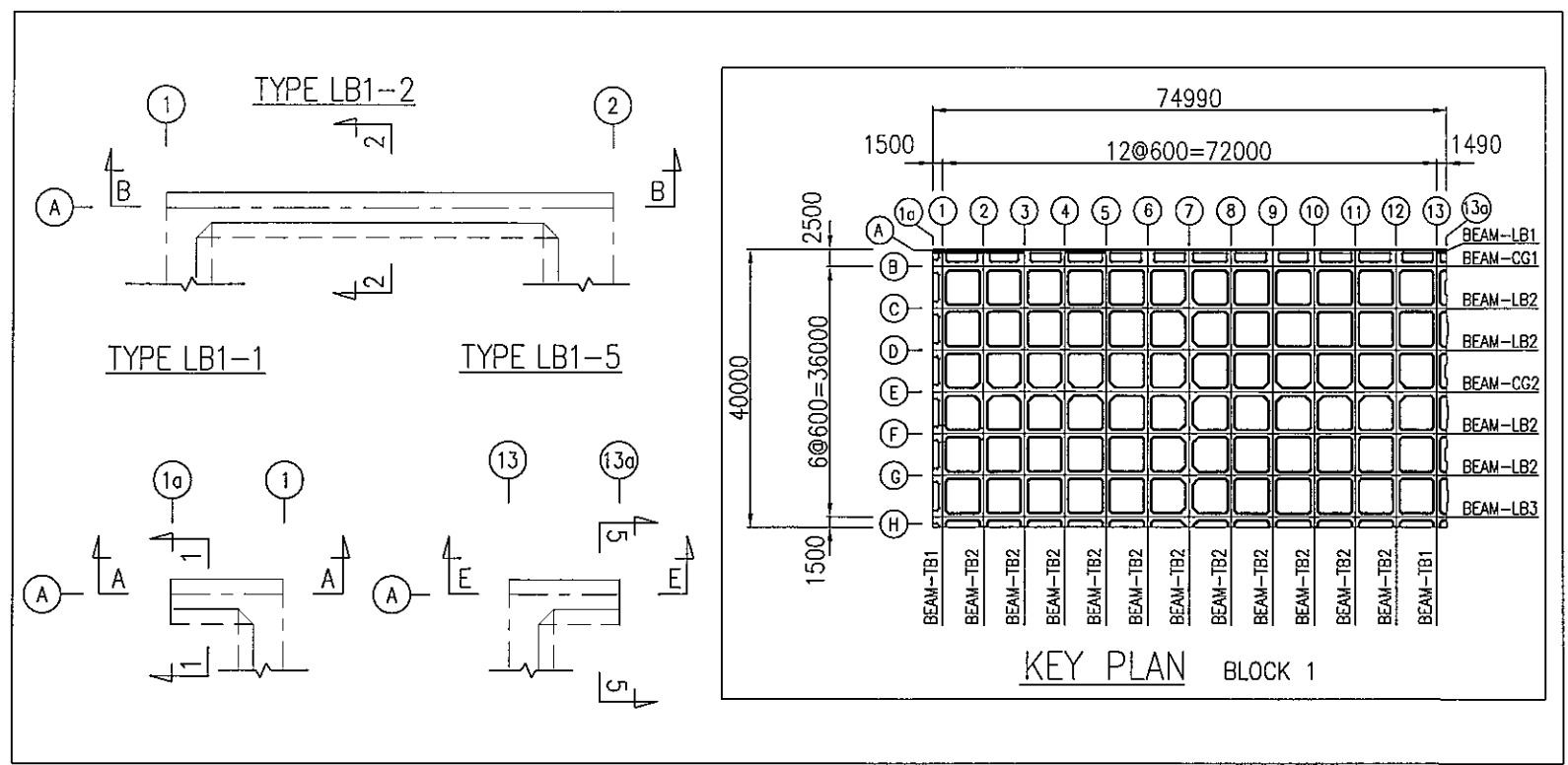
REV NO	DATE	DESCRIPTION	BY	APP



SECTION A-A
SC=1/50

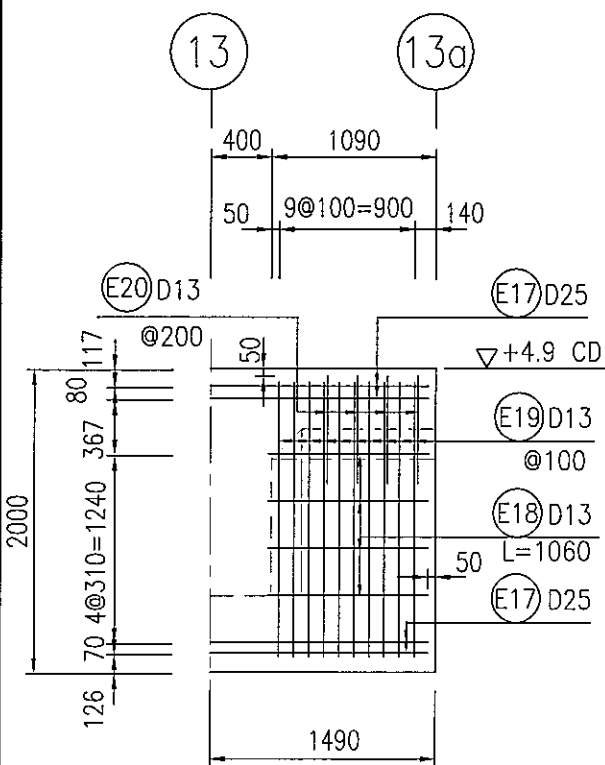


SECTION 1-1
SC=1/50

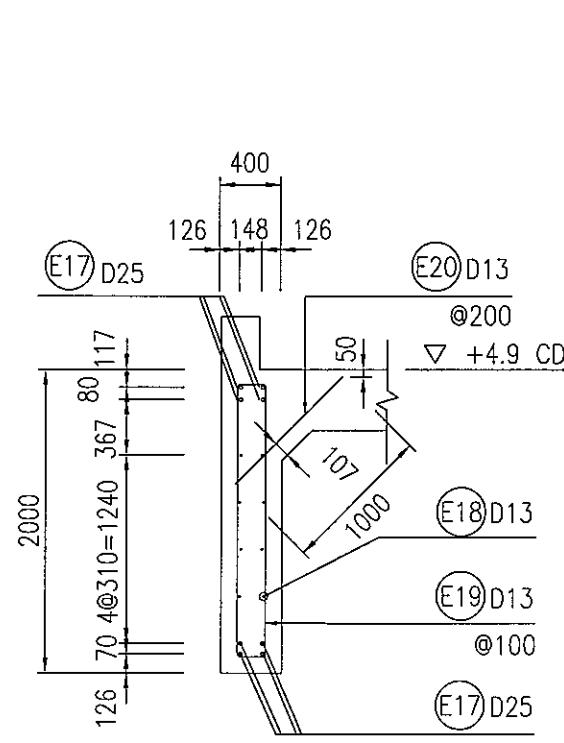


LEGENDS

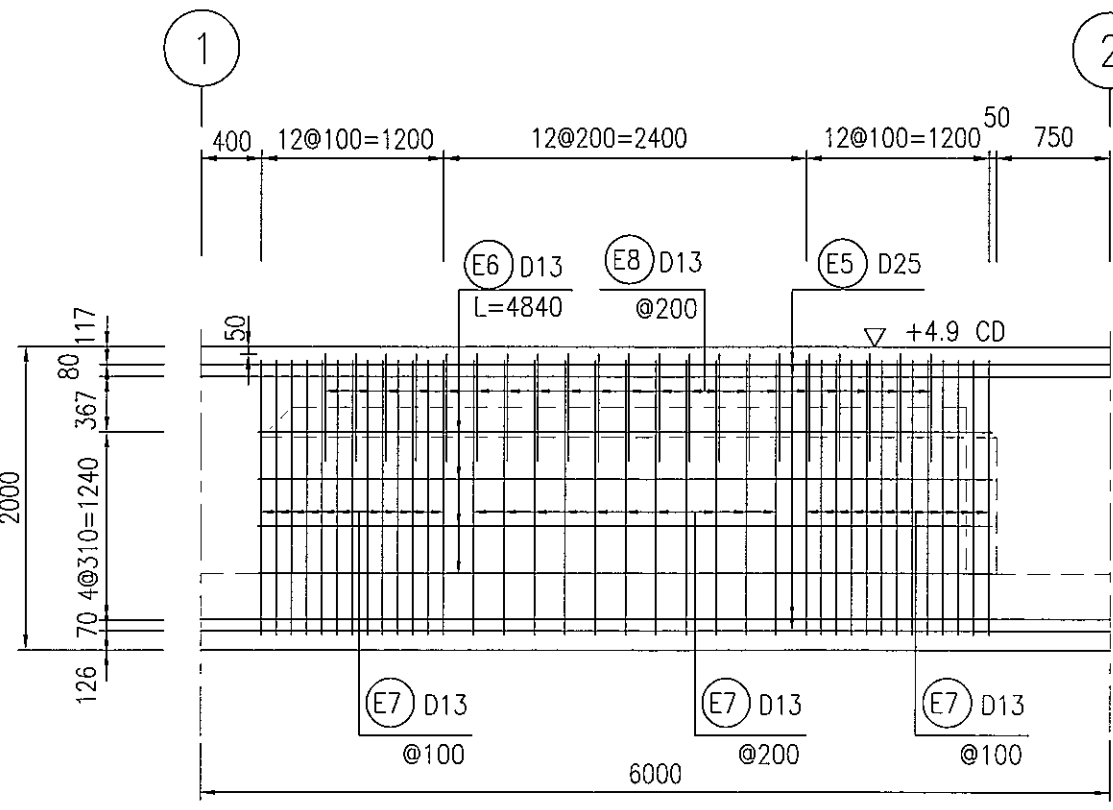
- DIMENSIONS ARE IN MILLIMETER.
- ELEVATIONS ARE IN METER - CHART DATUM.



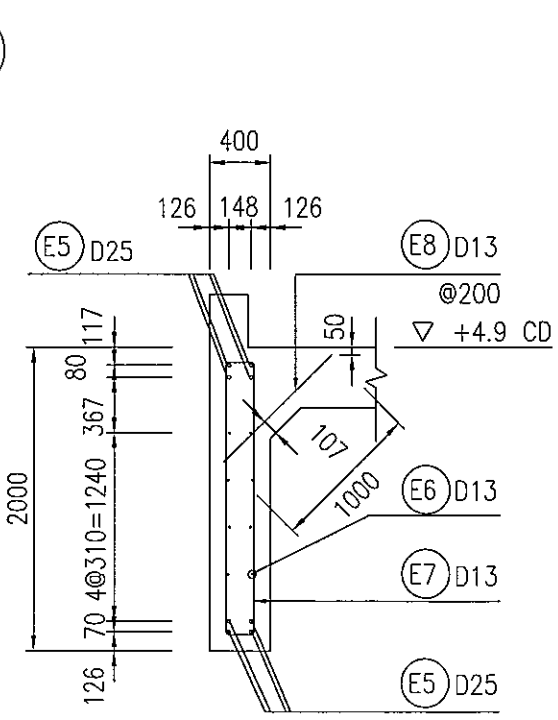
SECTION E-E
SC=1/50



SECTION 5-5
SC=1/50

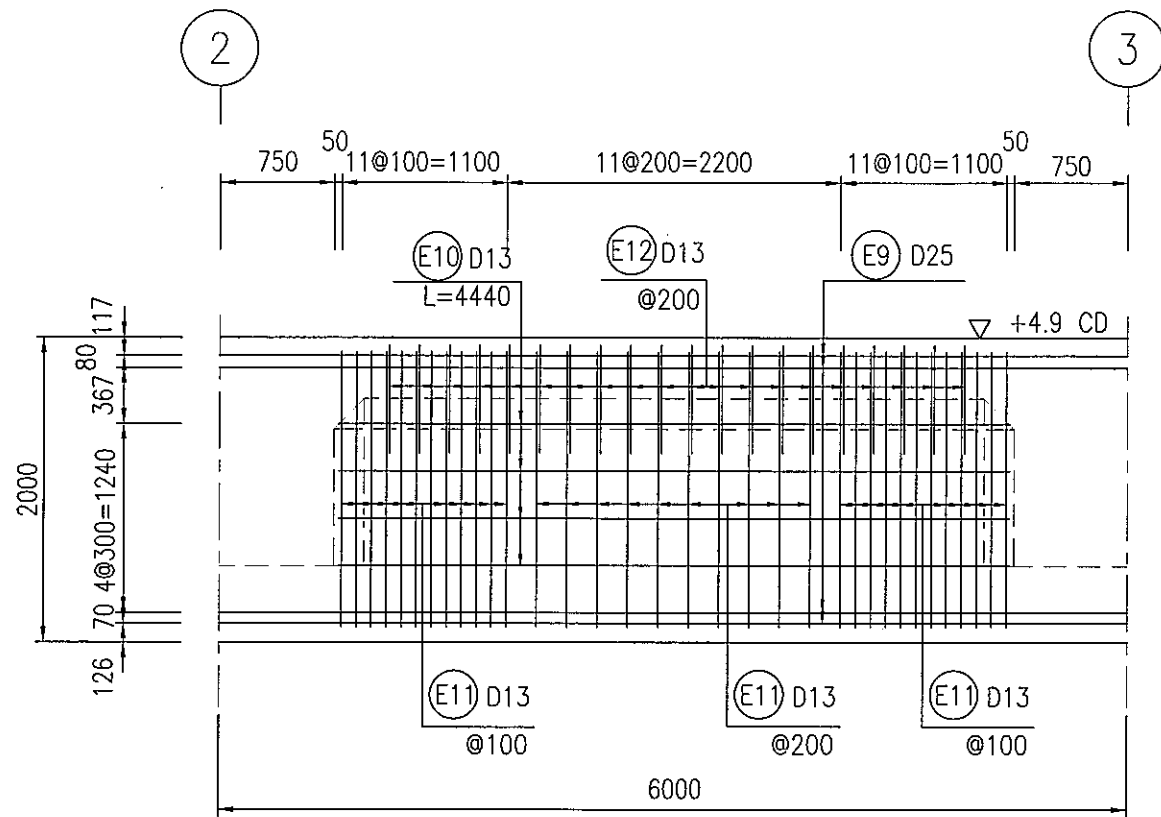


SECTION B-B
SC=1/50

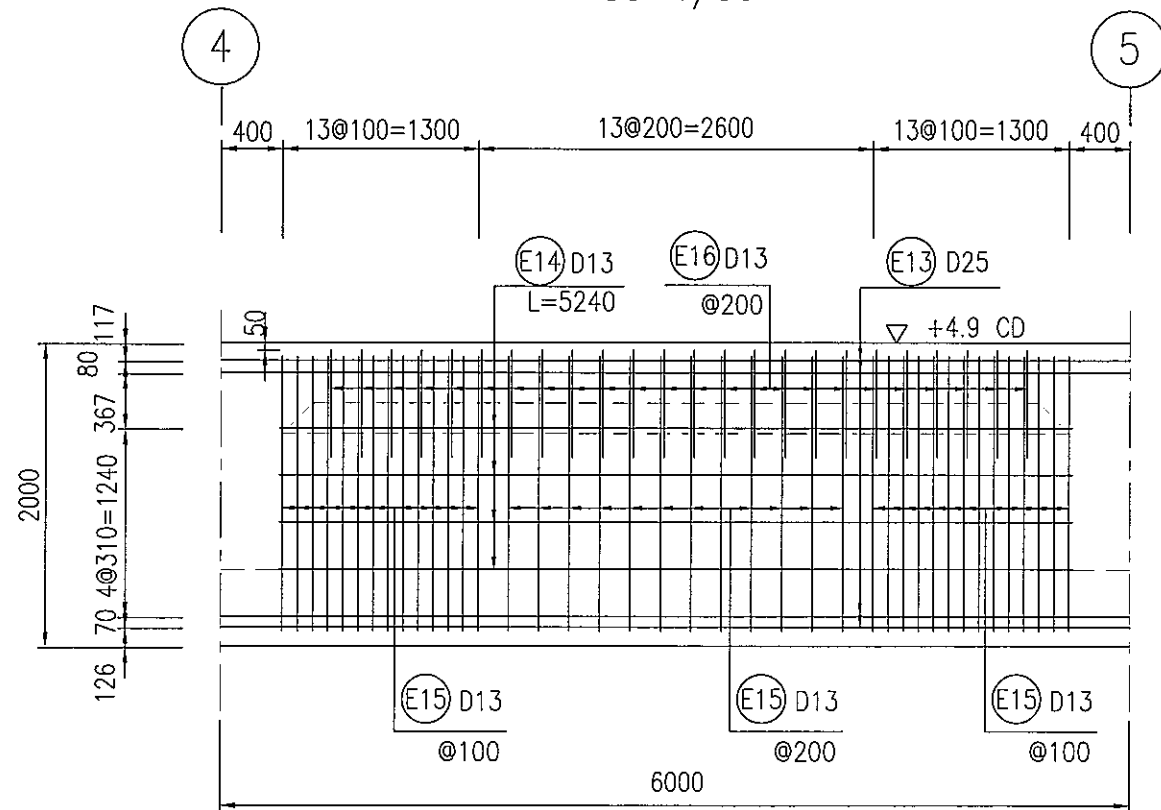


SECTION 2-2
SC=1/50

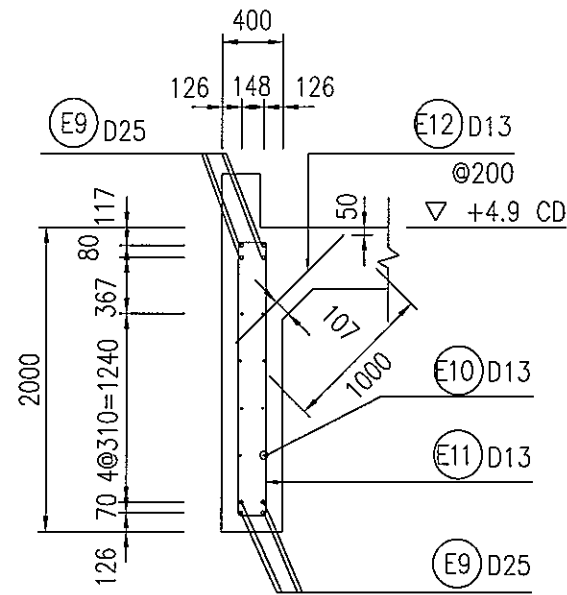
THE SOCIALIST REPUBLIC OF VIETNAM MINISTRY OF TRANSPORT PROJECT MANAGEMENT UNIT 85					CAI MEP - THI VAI INTERNATIONAL PORT CONSTRUCTION PROJECT			DESIGNED BY: TRAN KHANH HUNG		SECTION: CIVIL WORKS	
JAPAN INTERNATIONAL COOPERATION AGENCY ASSIGNED TO: JAPAN PORT CONSULTANT (JPC) PACIFIC CONSULTANTS INTERNATIONAL (PCI) INTERNATIONAL DEVELOPMENT SYSTEM (IDS)					PACKAGE 2 CONSTRUCTION OF PORT FACILITIES AND BUILDINGS FOR THI VAI AREA			DRAWN BY: NGUYEN T. K. DIEM		SUB-SECTION: QUAY FACILITY	
					TITLE OF DRAWING: BARS ARRANGEMENT OF BEAM LB1 [1]			CHECKED BY: YOSHIDA Y.		DWG NO: PAC2-TV-QAF-0-044	
REV NO	DATE	DESCRIPTION	BY	APP				APPROVED BY: NGUYEN T. K. DIEM		REV. NO	
								ISSUE DATE: 15/SEP/2005			
								SCALE: 1/50, 1/100, 1/1000			



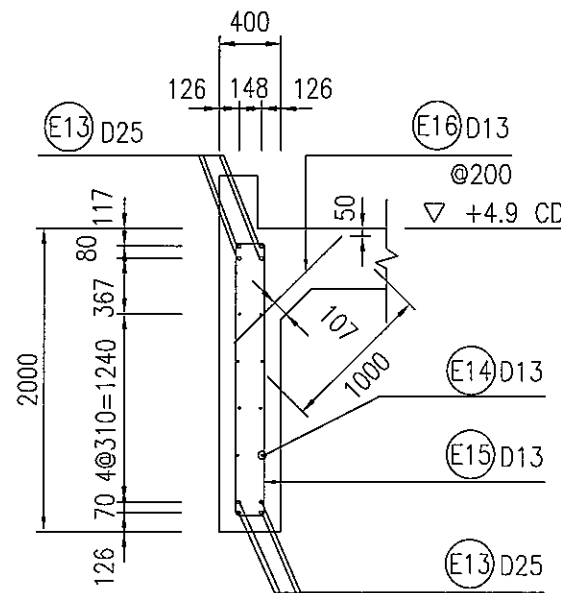
SECTION C-C
SC=1/50



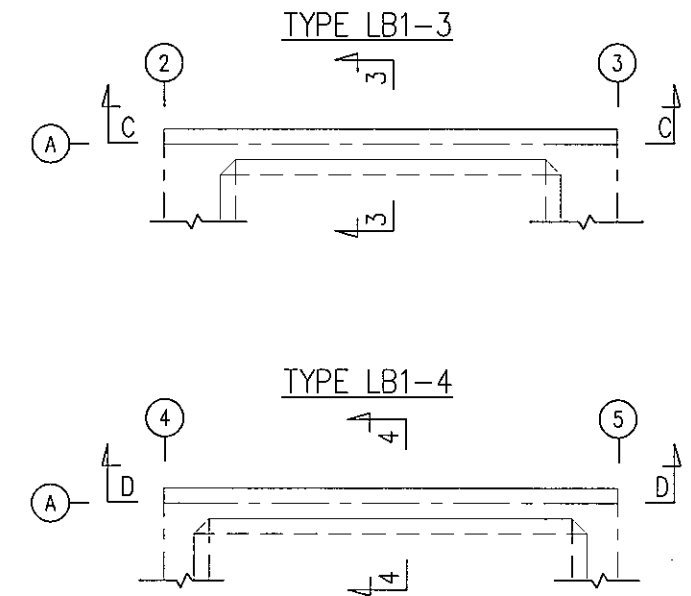
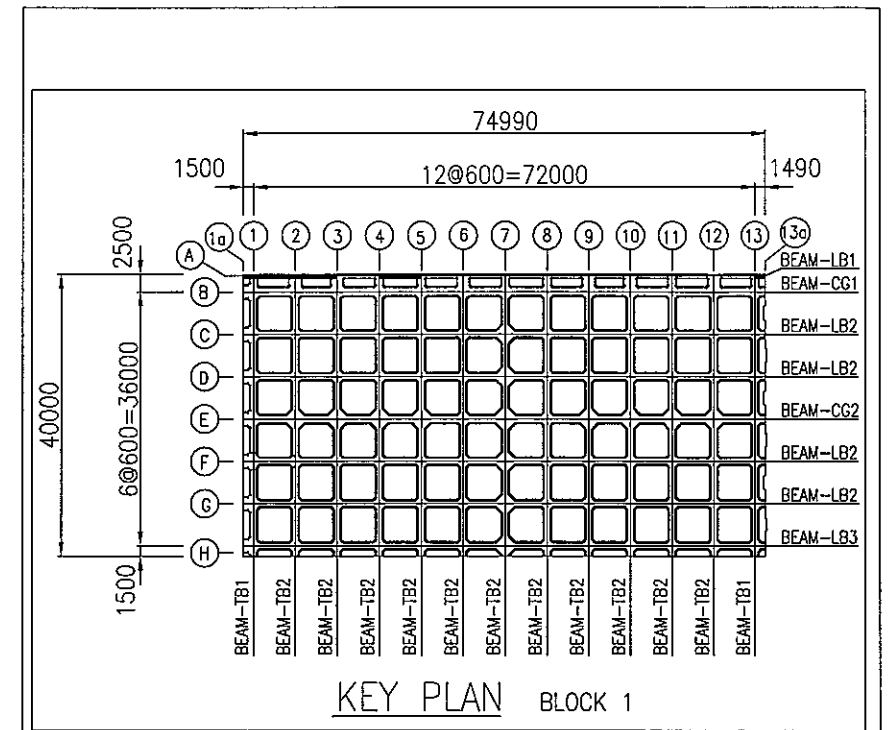
SECTION D-D
SC=1/50



SECTION 3-3
SC=1/50



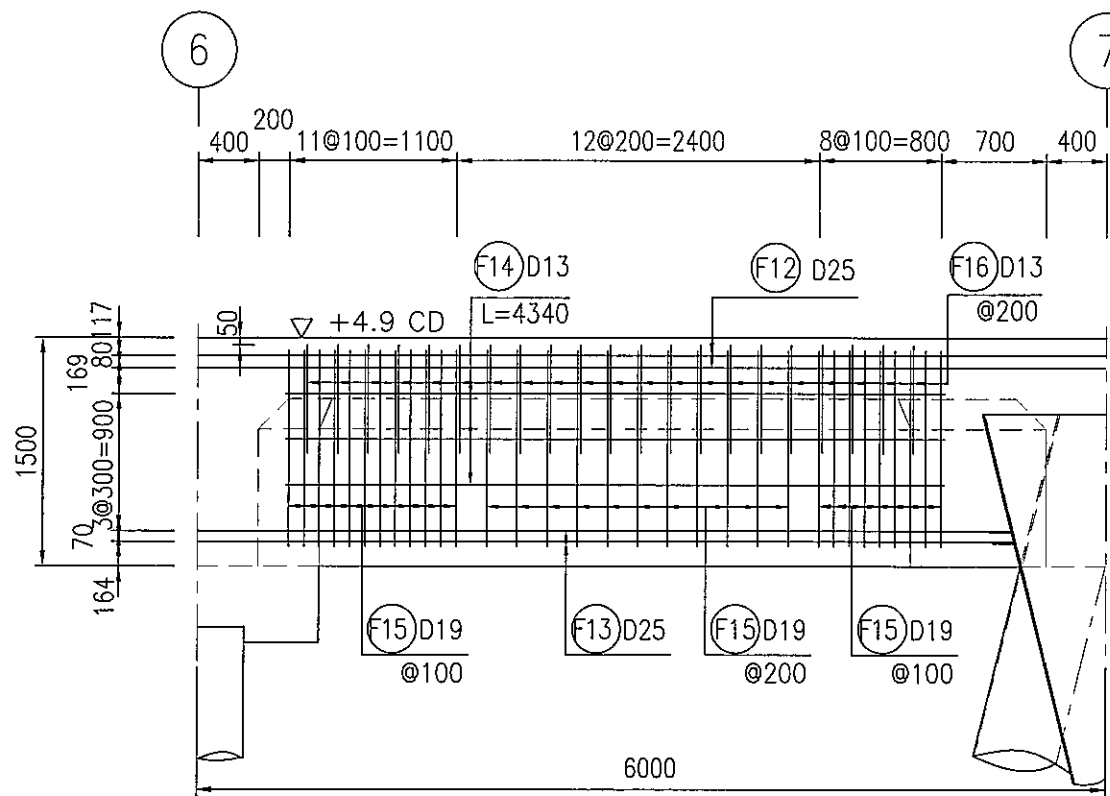
SECTION 4-4
SC=1/50



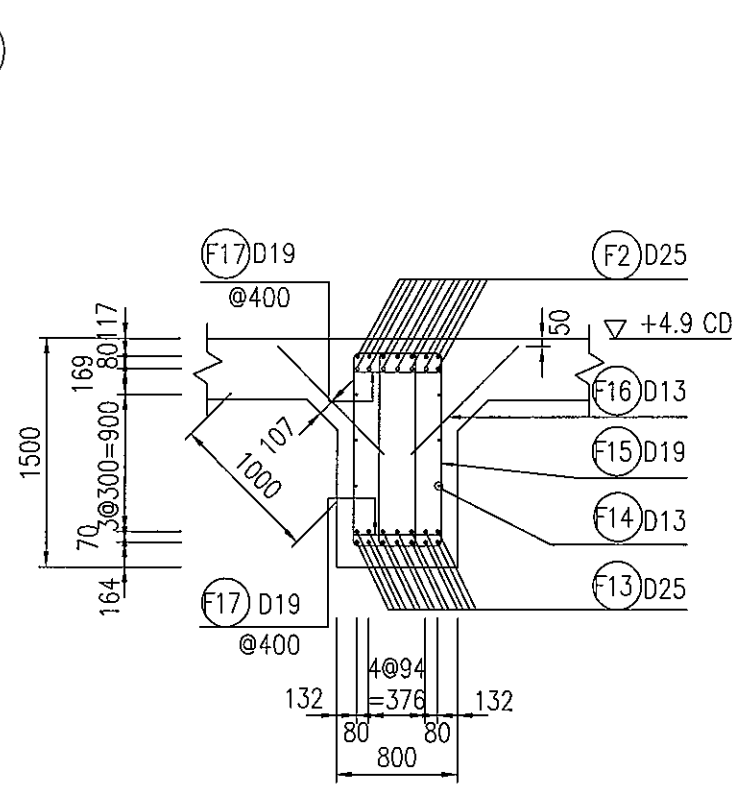
LEGENDS

- DIMENSIONS ARE IN MILLIMETER.
- ELEVATIONS ARE IN METER - CHART DATUM.

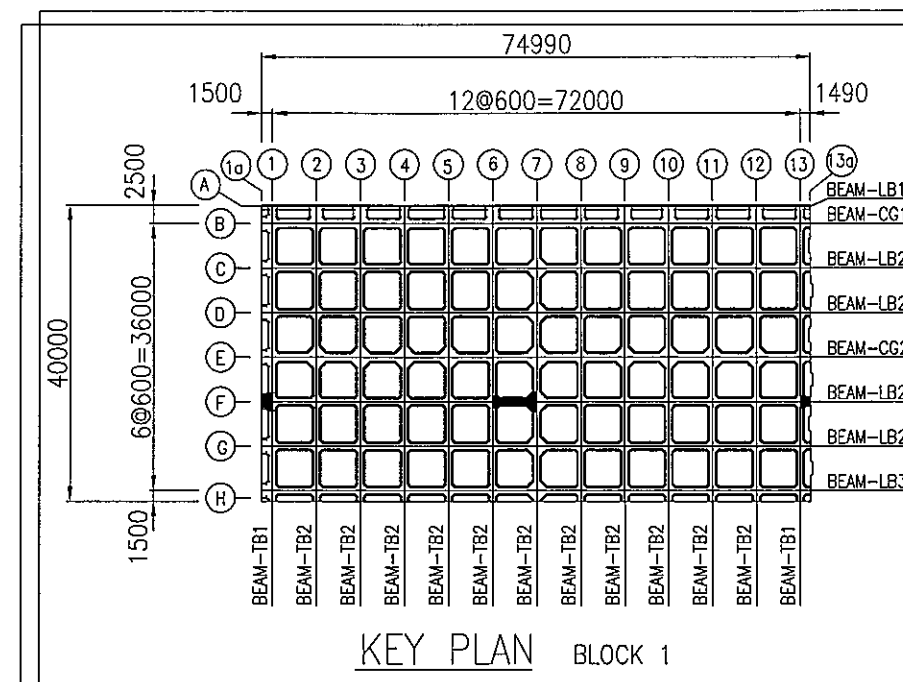
		THE SOCIALIST REPUBLIC OF VIETNAM MINISTRY OF TRANSPORT PROJECT MANAGEMENT UNIT 85		CAI MEP - THI VAI INTERNATIONAL PORT CONSTRUCTION PROJECT		DESIGNED BY: TRAN KHANH HUNG		SECTION: CIVIL WORKS	
		JAPAN INTERNATIONAL COOPERATION AGENCY ASSIGNED TO: JAPAN PORT CONSULTANT (JPC) PACIFIC CONSULTANTS INTERNATIONAL (PCI) INTERNATIONAL DEVELOPMENT SYSTEM (IDS)		PACKAGE 2 CONSTRUCTION OF PORT FACILITIES AND BUILDINGS FOR THI VAI AREA		DRAWN BY: NGUYEN T. K. DIEM		SUB-SECTION: QUAY FACILITY	
						CHECKED BY: YOSHIDA Y.		TITLE OF DRAWING: BARS ARRANGEMENT OF BEAM LB1 [2]	
						APPROVED BY: NAGAI K.		DWG NO: PAC2-TV-QAF-0-045	
REV NO	DATE	DESCRIPTION	BY	APP		ISSUE DATE: 15/SEP/2005		REV. NO	
						SCALE: 1/50, 1/100, 1/1000			



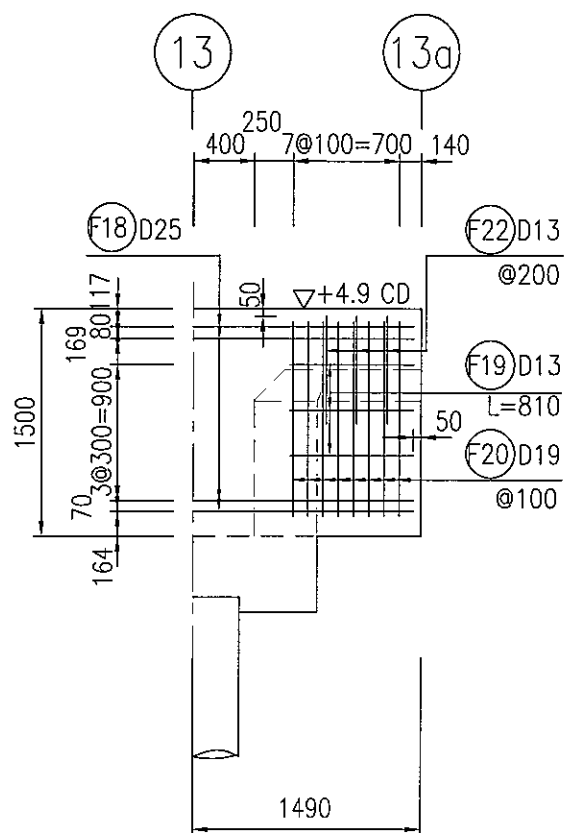
SECTION C-C
SC=1/50



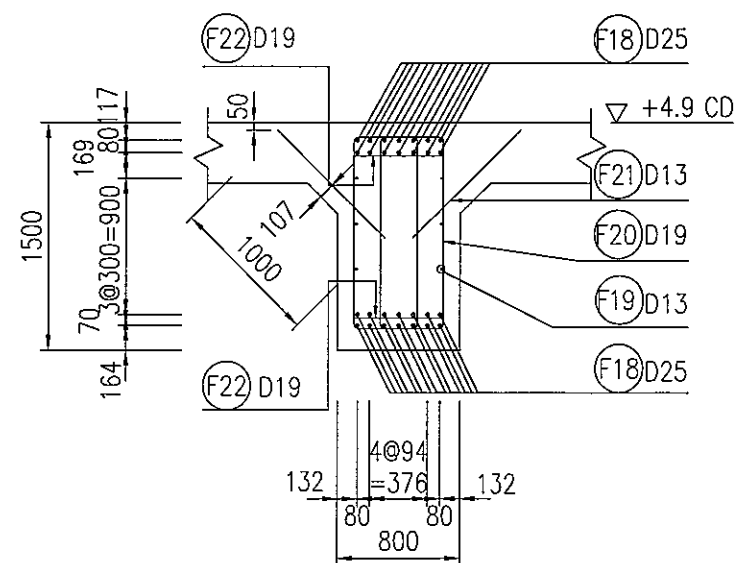
SECTION 3-3
SC=1/50



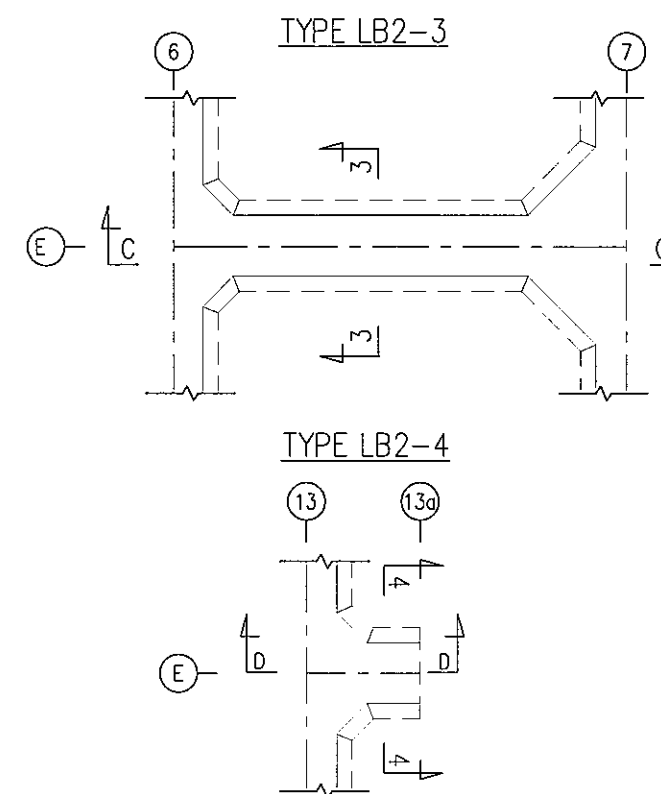
KEY PLAN BLOCK 1



SECTION D-D
SC=1/50



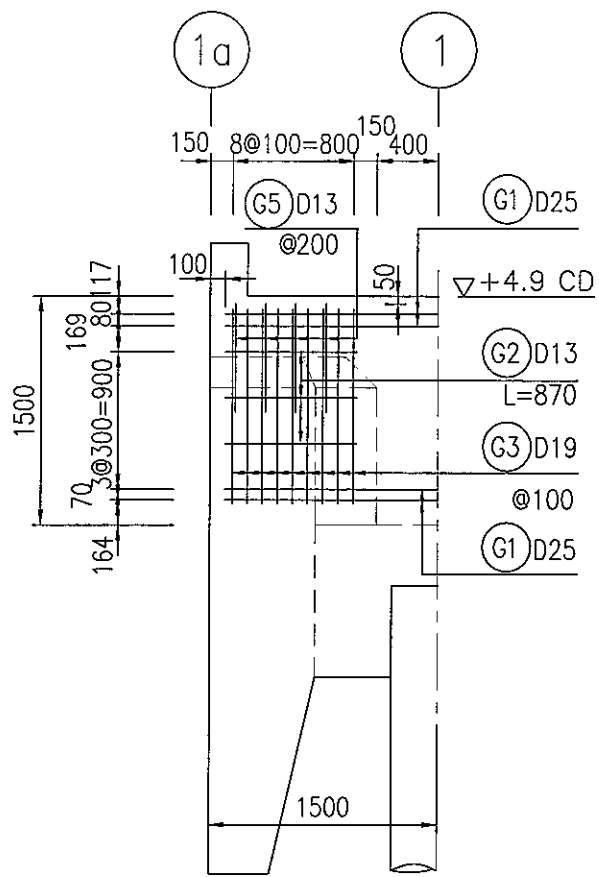
SECTION 4-4
SC=1/50



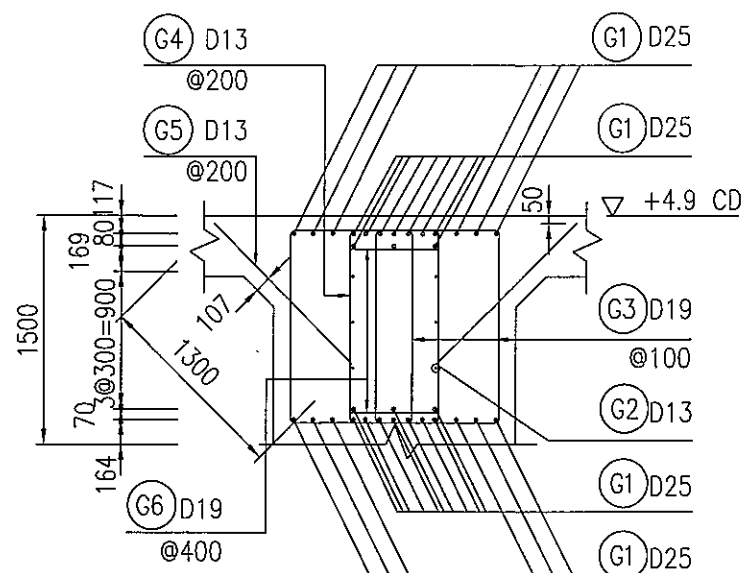
LEGENDS

- DIMENSIONS ARE IN MILLIMETER.
- ELEVATIONS ARE IN METER - CHART DATUM.

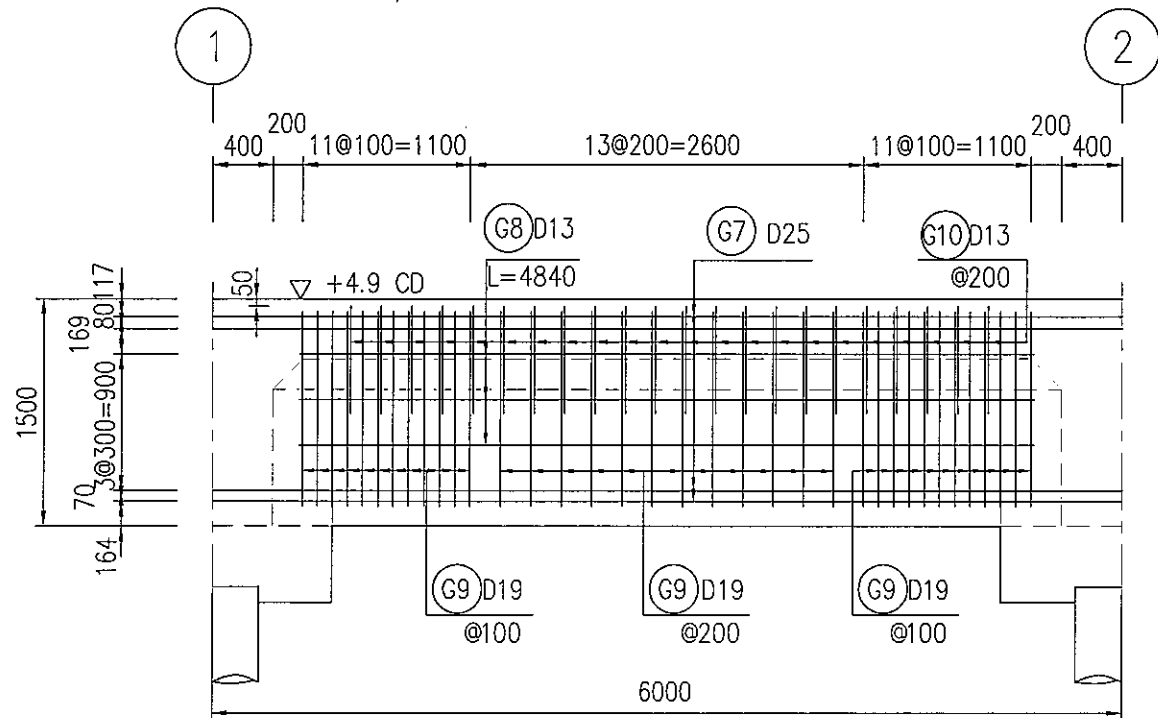
THE SOCIALIST REPUBLIC OF VIETNAM MINISTRY OF TRANSPORT PROJECT MANAGEMENT UNIT 85					CAI MEP - THI VAI INTERNATIONAL PORT CONSTRUCTION PROJECT		DESIGNED BY: TRAN KHANH HUNG DRAWN BY: NGUYEN T. K. DIEM CHECKED BY: YOSHIDA Y. APPROVED BY: NAGAIK.		SECTION: CIVIL WORKS SUB-SECTION: QUAY FACILITY TITLE OF DRAWING: BARS ARRANGEMENT OF BEAM LB2 [2]	
JICA JAPAN INTERNATIONAL COOPERATION AGENCY ASSIGNED TO: JAPAN PORT CONSULTANT (JPC) PACIFIC CONSULTANTS INTERNATIONAL (PCI) INTERNATIONAL DEVELOPMENT SYSTEM (IDS)					PACKAGE 2 CONSTRUCTION OF PORT FACILITIES AND BUILDINGS FOR THI VAI AREA		ISSUE DATE: 13/SEP/2005 SCALE: 1/50, 1/100, 1/1000		DWG NO: PAC2-TV-QAF-0-047 REV. NO	
REV. NO	DATE	DESCRIPTION	BY	APP						



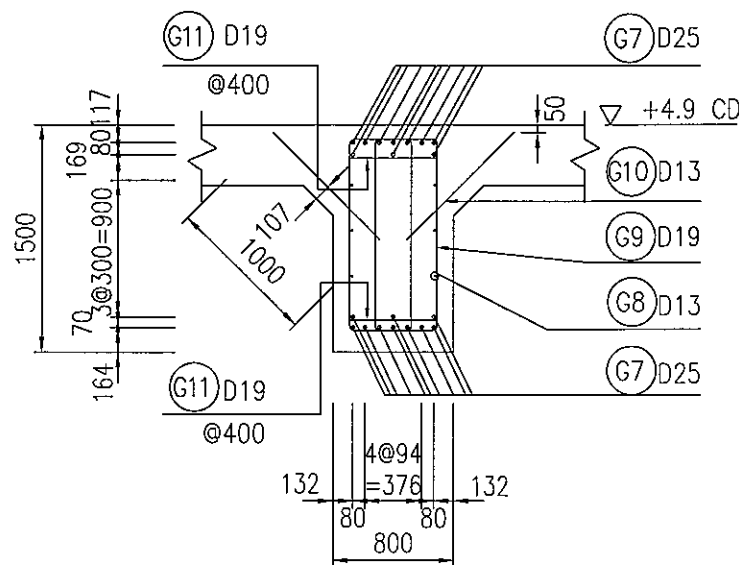
SECTION A-A
SC=1/50



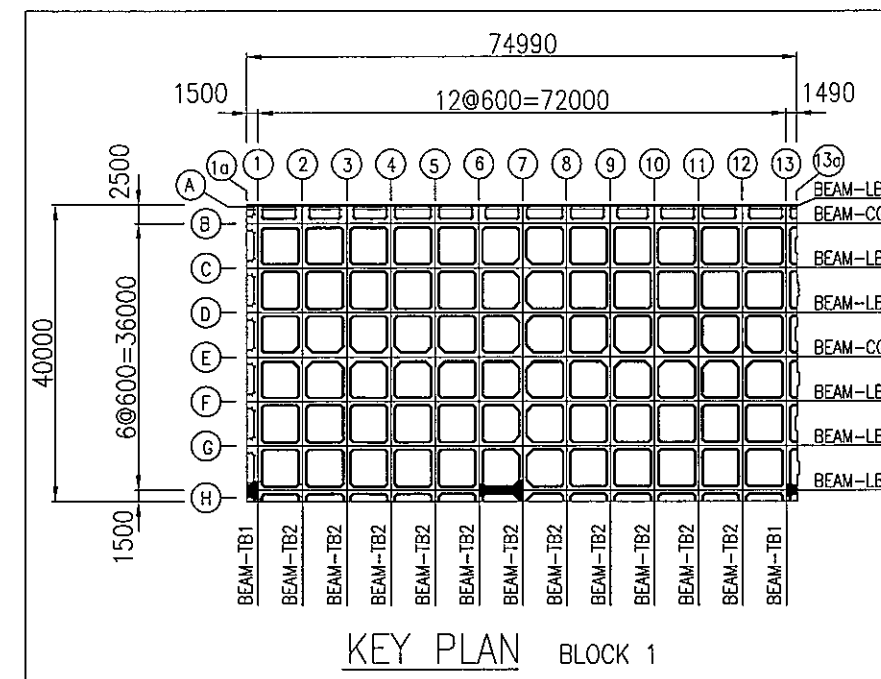
SECTION 1-1
SC=1/50



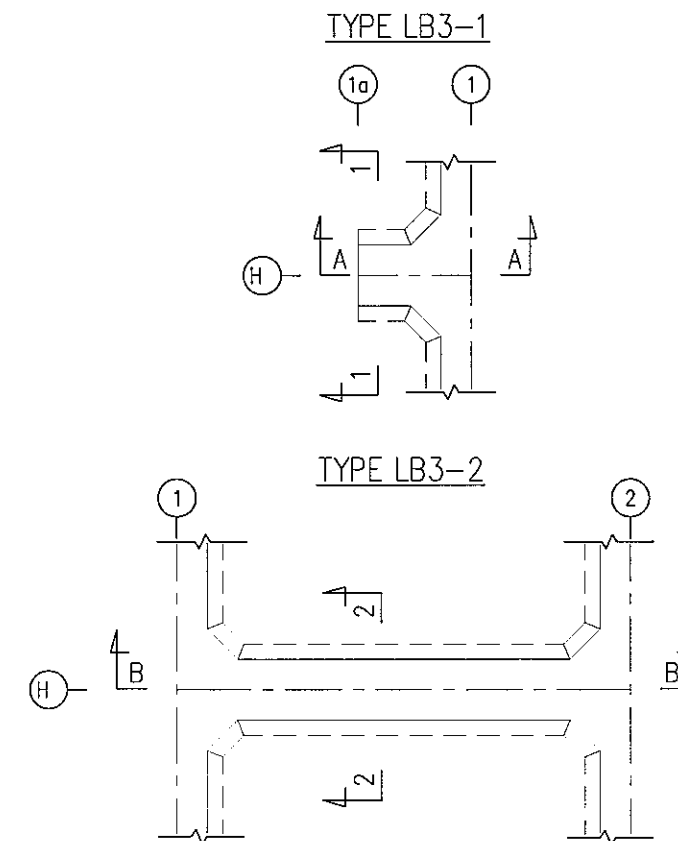
SECTION B-B
SC=1/50



SECTION 2-2
SC=1/50



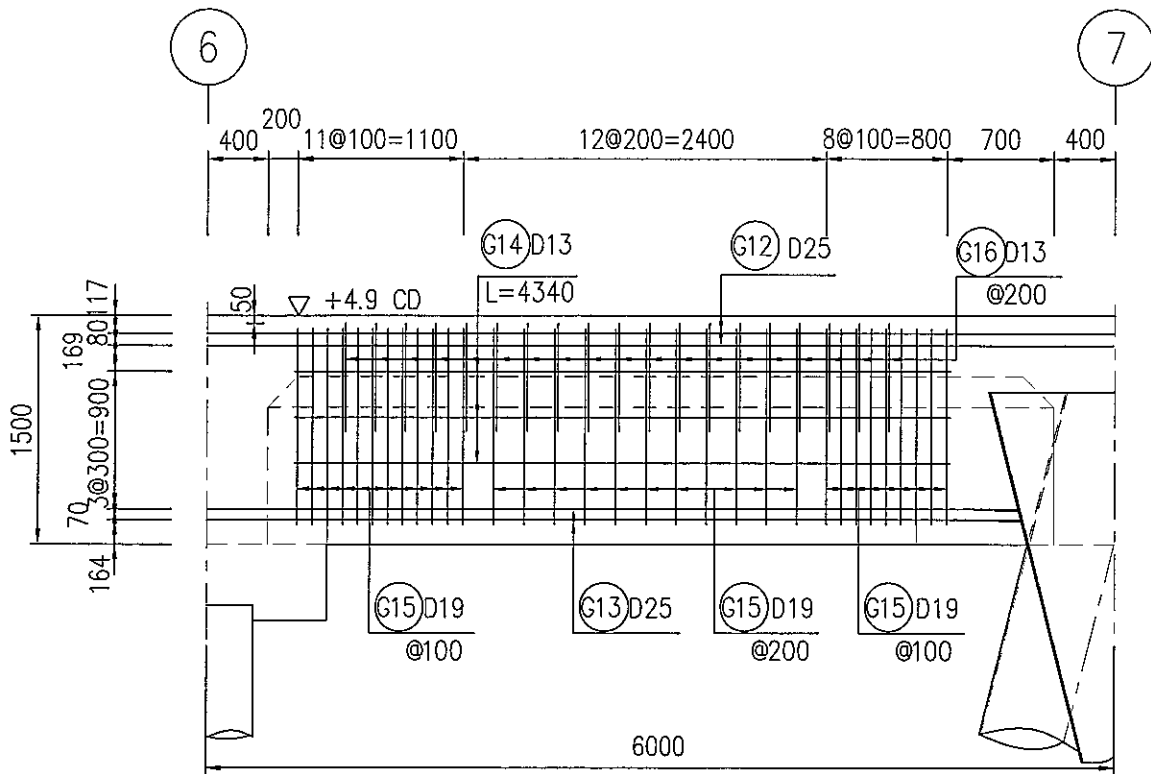
KEY PLAN BLOCK 1



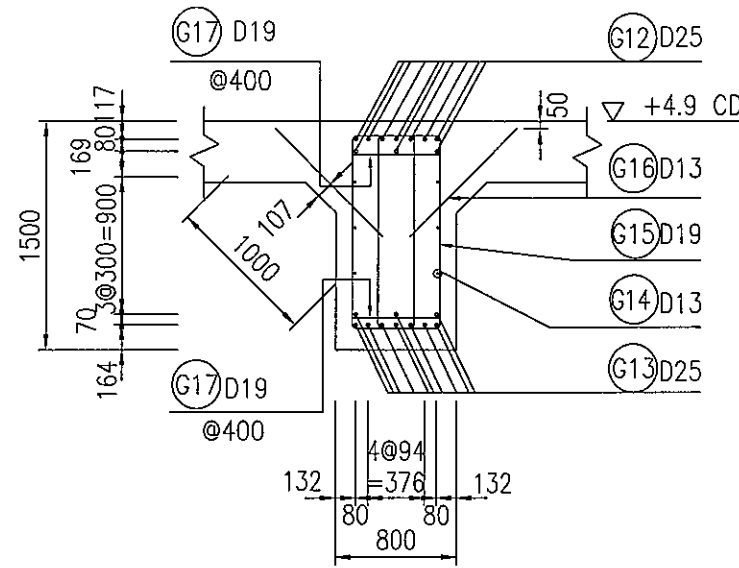
LEGENDS

- DIMENSIONS ARE IN MILLIMETER.
- ELEVATIONS ARE IN METER -- CHART DATUM.

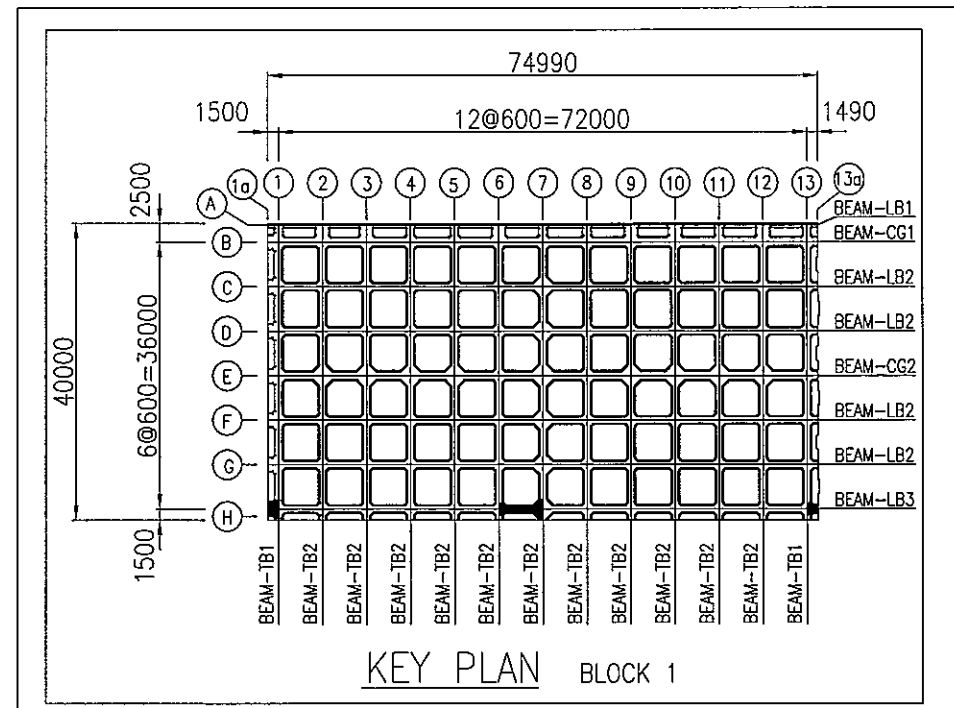
THE SOCIALIST REPUBLIC OF VIETNAM MINISTRY OF TRANSPORT PROJECT MANAGEMENT UNIT 85					CAI MEP - THI VAI INTERNATIONAL PORT CONSTRUCTION PROJECT		DESIGNED BY: TRAN KHANH HUNG DRAWN BY: NGUYEN T. K. DIEM CHECKED BY: YOSHIDA Y. APPROVED BY: NAGAI K. ISSUE DATE: 15/SEP/2005 SCALE: 1/50, 1/100, 1/1000		SECTION: CIVIL WORKS SUB-SECTION: QUAY FACILITY TITLE OF DRAWING: BARS ARRANGEMENT OF BEAM LB3 [1]	
JICA JAPAN INTERNATIONAL COOPERATION AGENCY ASSIGNED TO: JAPAN PORT CONSULTANT (JPC) PACIFIC CONSULTANTS INTERNATIONAL (PCI) INTERNATIONAL DEVELOPMENT SYSTEM (IDS)					PACKAGE 2 CONSTRUCTION OF PORT FACILITIES AND BUILDINGS FOR THI VAI AREA		DWG NO: PAC2-TV-QAF-0-048		REV. NO	
REV NO	DATE	DESCRIPTION	BY	APP						



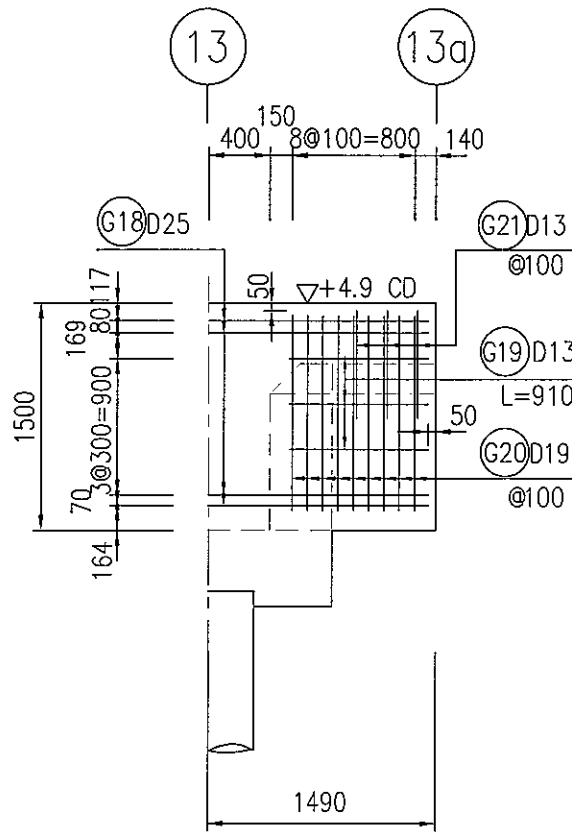
SECTION C-C
SC=1/50



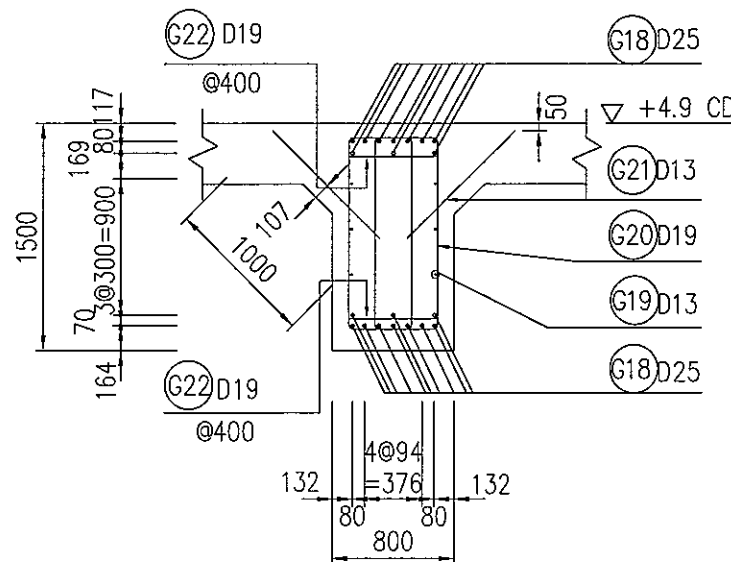
SECTION 3-3
SC=1/50



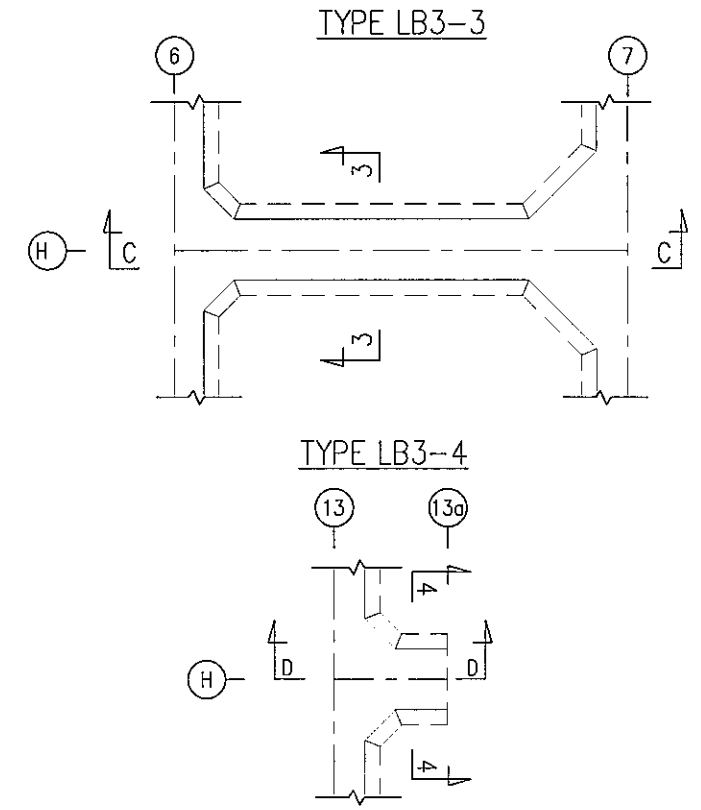
KEY PLAN BLOCK 1



SECTION D-D
SC=1/50



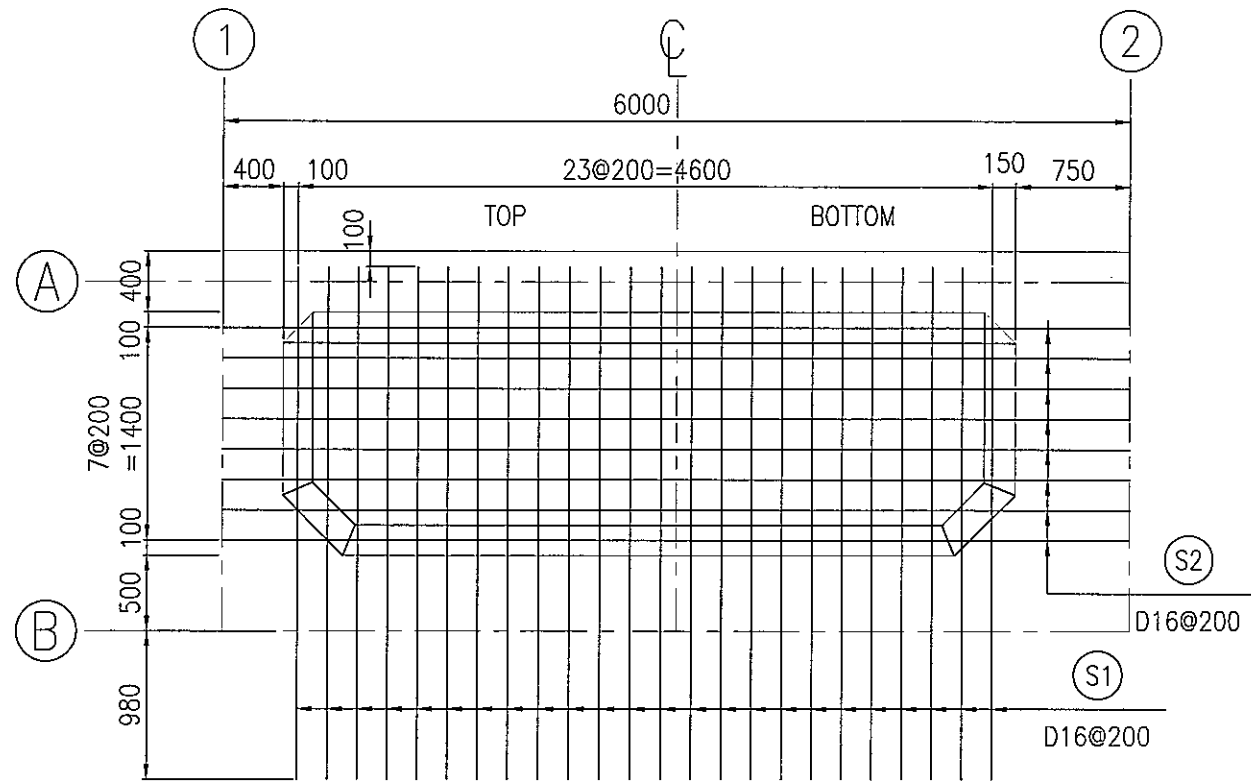
SECTION 4-4
SC=1/50



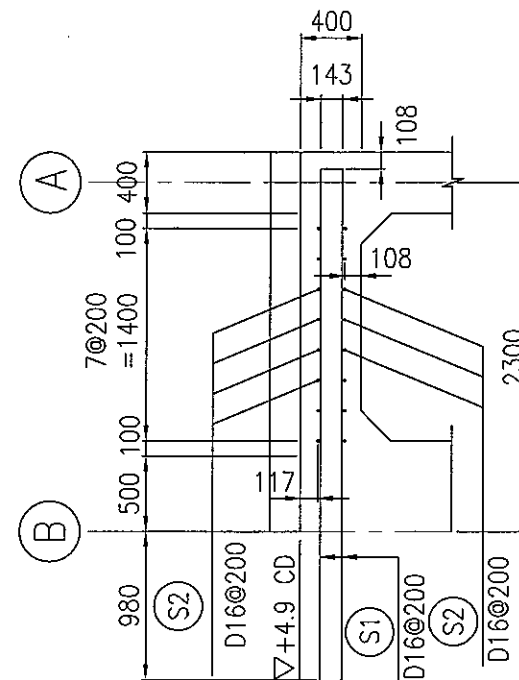
LEGENDS

- DIMENSIONS ARE IN MILLIMETER.
- ELEVATIONS ARE IN METER - CHART DATUM.

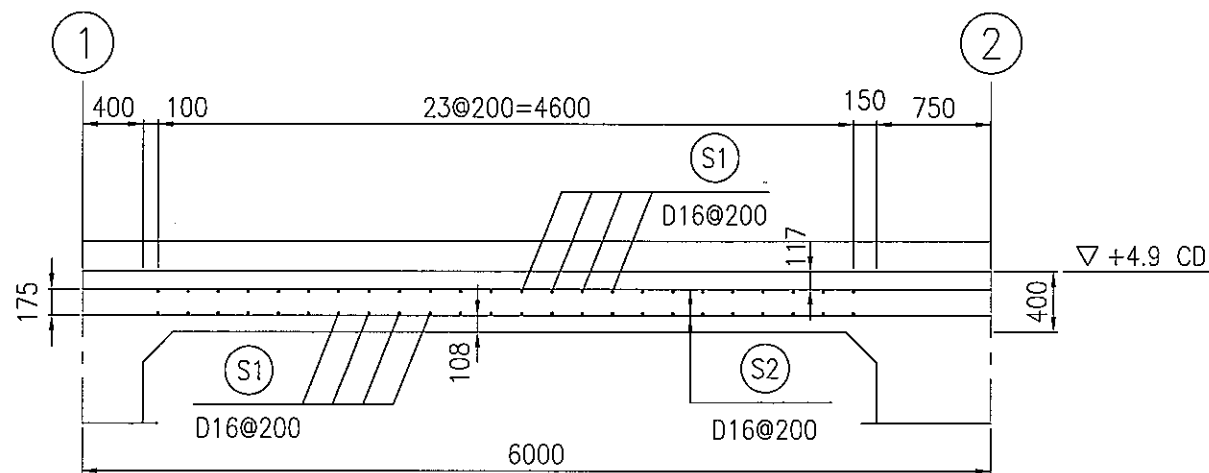
THE SOCIALIST REPUBLIC OF VIETNAM MINISTRY OF TRANSPORT PROJECT MANAGEMENT UNIT 85					CAI MEP - THI VAI INTERNATIONAL PORT CONSTRUCTION PROJECT					DESIGNED BY: TRAN KHANH HUNG DRAWN BY: NGUYEN T. K. DIEM CHECKED BY: YOSHIDA Y. APPROVED BY: NAGAI K. ISSUE DATE: 15/08/2005 SCALE: 1/50, 1/100, 1/1000					SECTION: CIVIL WORKS SUB-SECTION: QUAY FACILITY TITLE OF DRAWING: BARS ARRANGEMENT OF BEAM LB3 [2] DWG NO: PAC2-TV-QAF-0-049				
JICA JAPAN INTERNATIONAL COOPERATION AGENCY ASSIGNED TO: JAPAN PORT CONSULTANT (JPC) PACIFIC CONSULTANTS INTERNATIONAL (PCI) INTERNATIONAL DEVELOPMENT SYSTEM (IDS)					PACKAGE 2 CONSTRUCTION OF PORT FACILITIES AND BUILDINGS FOR THI VAI AREA														
REV NO	DATE	DESCRIPTION	BY	APP															



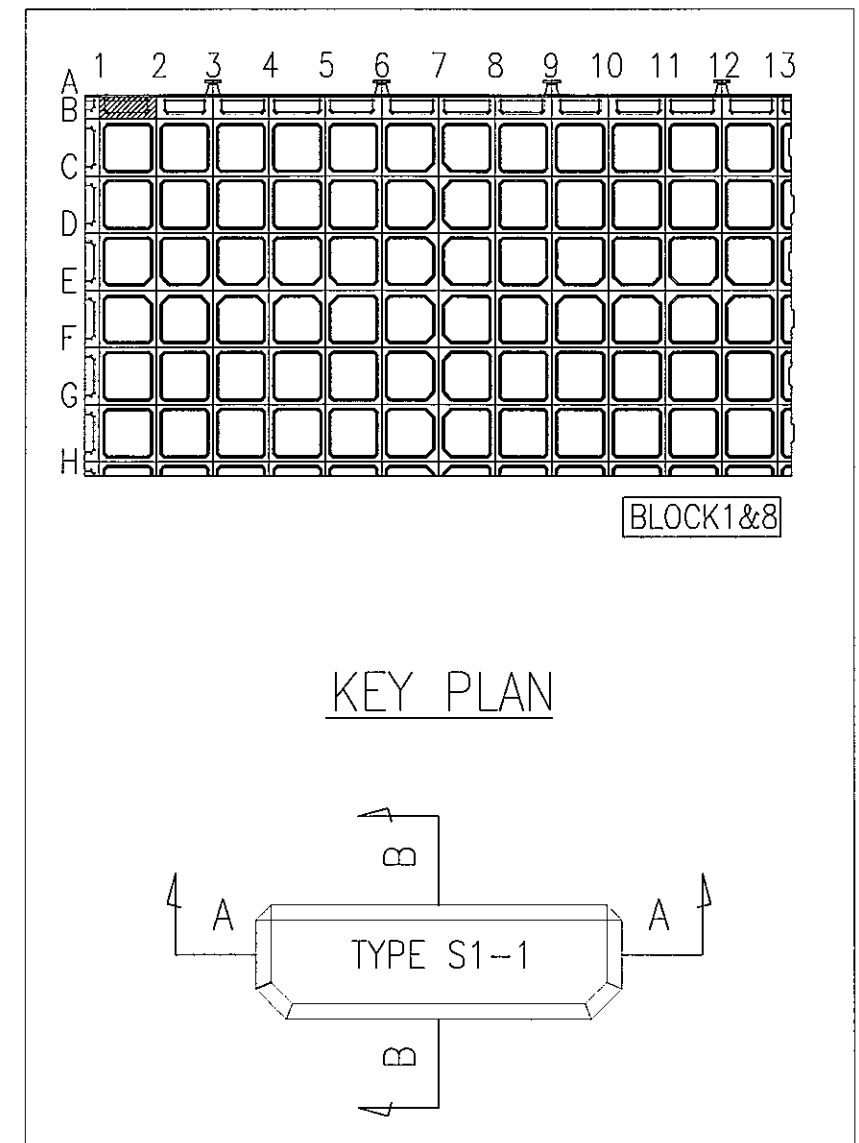
PLAN OF BARS ARRANGEMENT
SC=1/50



SECTION B-B
SC=1/50



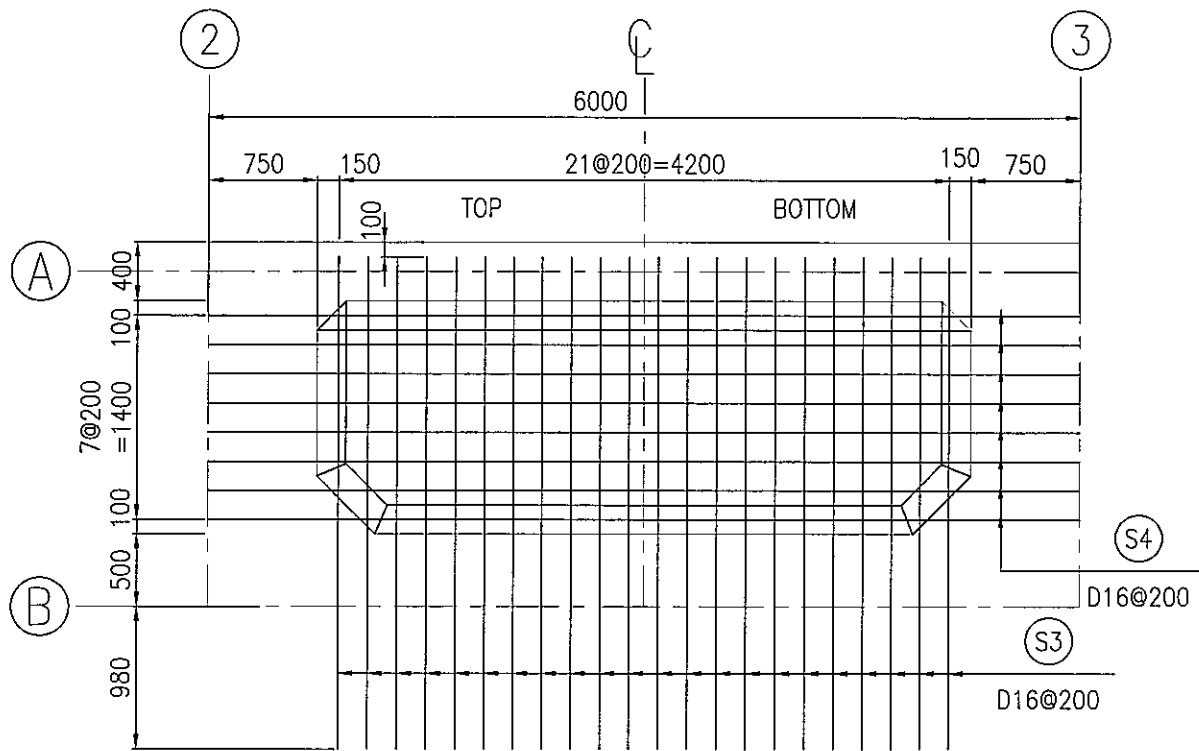
SECTION A-A
SC=1/50



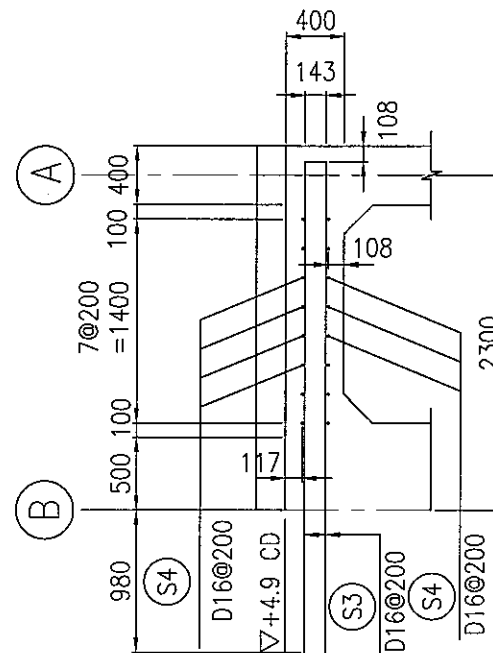
LEGENDS:

- DIMENSIONS ARE IN MILLIMETER.
- ELEVATIONS ARE IN METER - CHART DATUM.
- NUMBERS OF SLAB OF TYPE S1-1 ARE 4 NOS./BLOCK

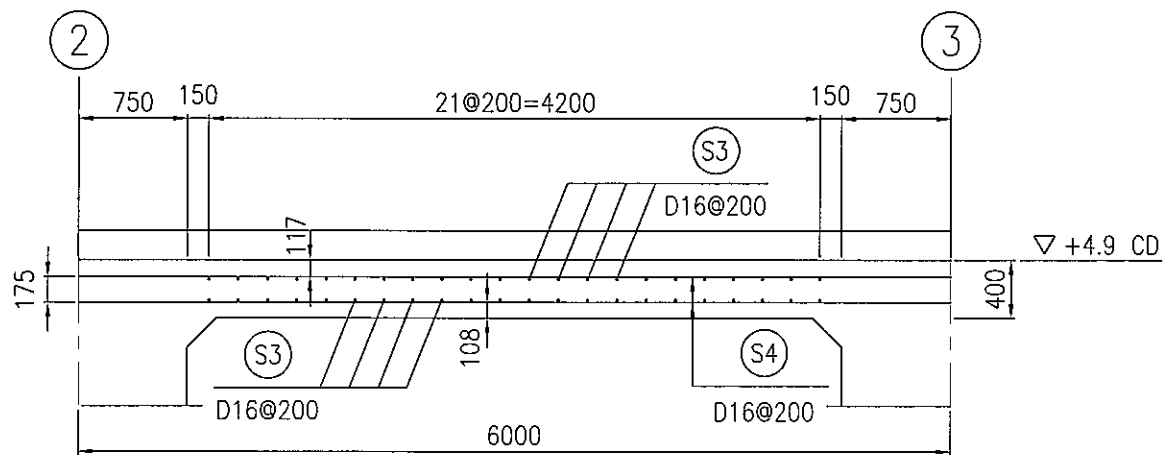
		THE SOCIALIST REPUBLIC OF VIETNAM MINISTRY OF TRANSPORT PROJECT MANAGEMENT UNIT 85		CAI MEP - THI VAI INTERNATIONAL PORT CONSTRUCTION PROJECT		DESIGNED BY: TRAN KHANH HUNG DRAWN BY: VU THI HANG CHECKED BY: YOSHIDA Y. APPROVED BY: NAGAI K. ISSUE DATE: 13/SEP/2005 SCALE: 1/50		SECTION: CIVIL WORKS SUB-SECTION: QUAY FACILITIES TITLE OF DRAWING: BARS ARRANGEMENT OF SLAB OF TYPE S1[1]	
		JICA JAPAN INTERNATIONAL COOPERATION AGENCY ASSIGNED TO: JAPAN PORT CONSULTANT (JPC) PACIFIC CONSULTANTS INTERNATIONAL (PCI) INTERNATIONAL DEVELOPMENT SYSTEM (IDS)		PACKAGE 1 CONSTRUCTION OF PORT FACILITIES AND BUILDINGS FOR CAI MEP AREA				DWG NO: PAC2-TV-QAF-050 REV. NO	
REV NO	DATE	DESCRIPTION	BY	APP					



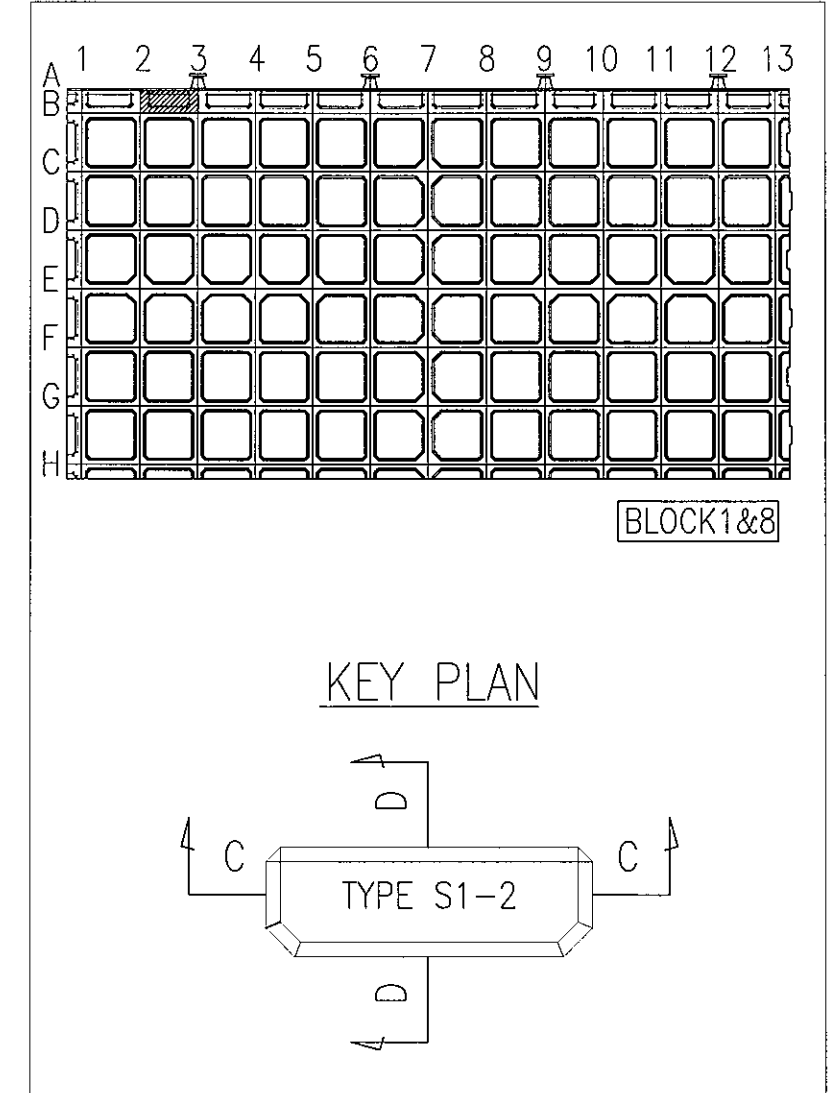
PLAN OF BARS ARRANGEMENT
SC=1/50



SECTION D-D
SC=1/50



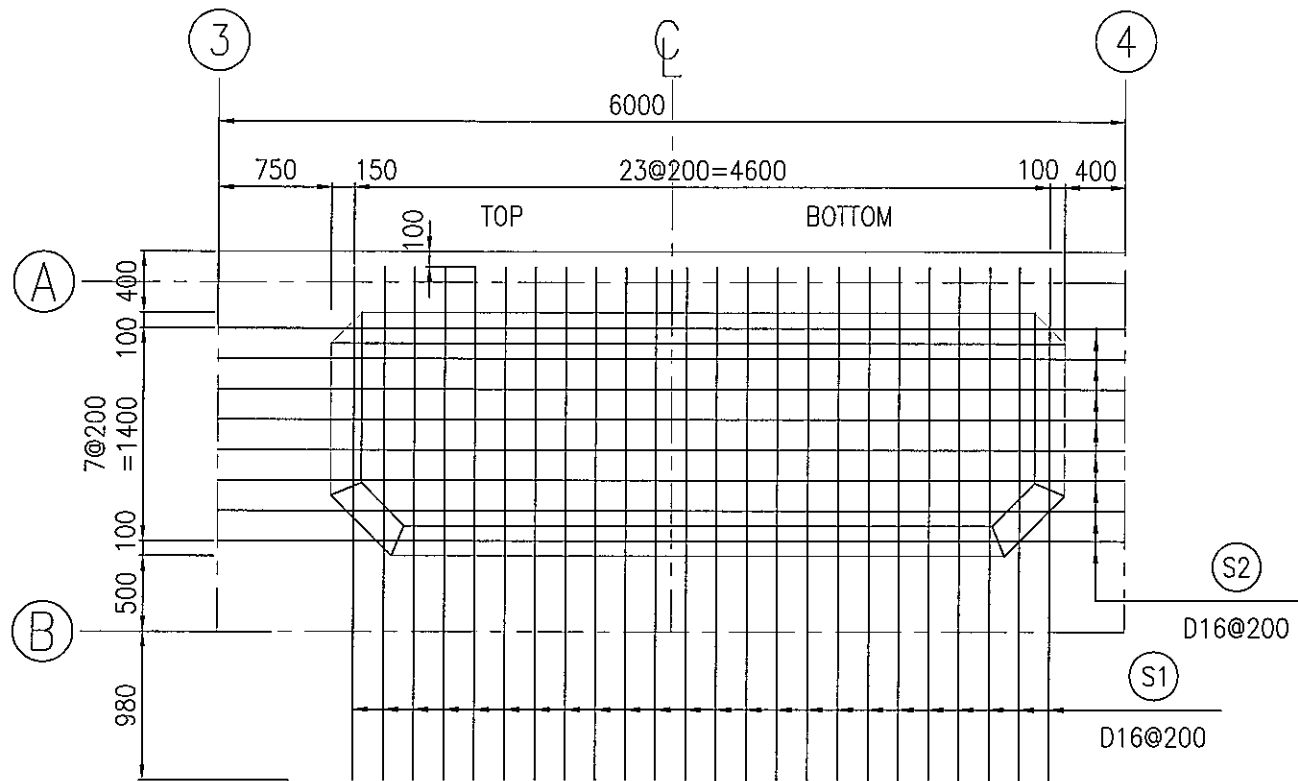
SECTION C-C
SC=1/50



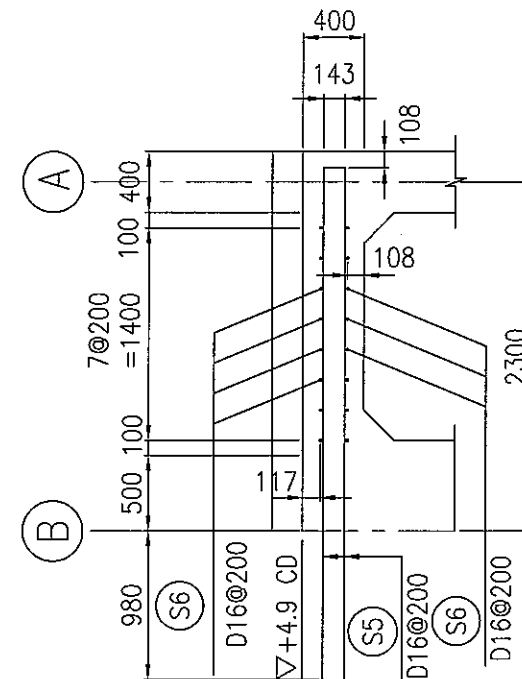
LEGENDS:

- DIMENSIONS ARE IN MILLIMETER.
- ELEVATIONS ARE IN METER - CHART DATUM.
- NUMBERS OF SLAB OF TYPE S1-2 ARE 2 NOS./BLOCK

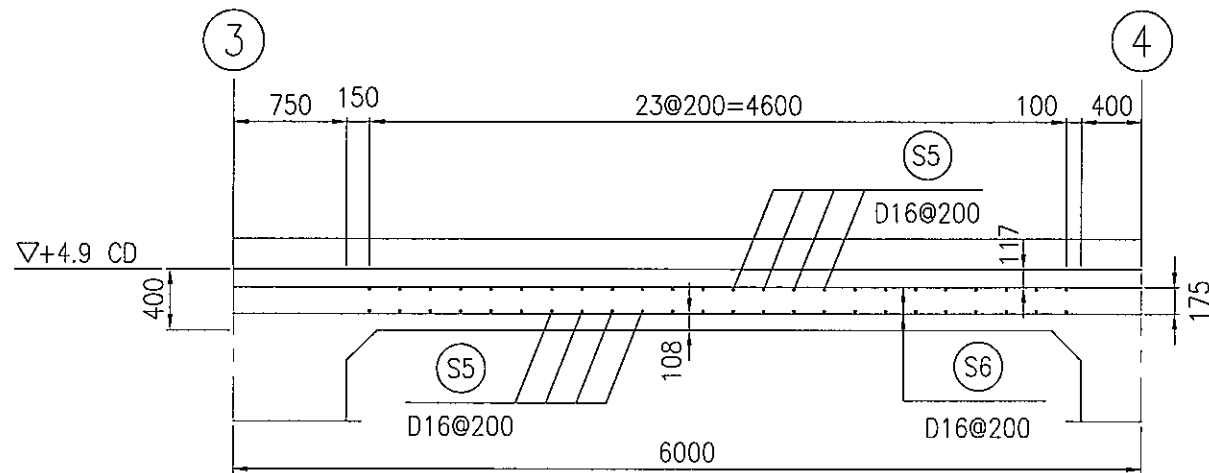
					THE SOCIALIST REPUBLIC OF VIETNAM MINISTRY OF TRANSPORT PROJECT MANAGEMENT UNIT 85		CAI MEP - THI VAI INTERNATIONAL PORT CONSTRUCTION PROJECT		DESIGNED BY: TRAN KHANH HUNG DRAWN BY: NGUYEN THI HANG CHECKED BY: YOSHIDA Y. APPROVED BY: NAGATA ISSUE DATE: 13/SEP/2005 SCALE: 1/50		SECTION: CIVIL WORKS SUB-SECTION: QUAY FACILITIES TITLE OF DRAWING: BARS ARRANGEMENT OF SLAB OF TYPE S1[2] DWG NO: PAC2-TV-QAF-051 REV. NO	
REV NO	DATE	DESCRIPTION	BY	APP	JICA JAPAN INTERNATIONAL COOPERATION AGENCY ASSIGNED TO: JAPAN PORT CONSULTANT (JPC) PACIFIC CONSULTANTS INTERNATIONAL (PCI) INTERNATIONAL DEVELOPMENT SYSTEM (IDS)		PACKAGE 2 CONSTRUCTION OF PORT FACILITIES AND BUILDINGS FOR THI VAI AREA					



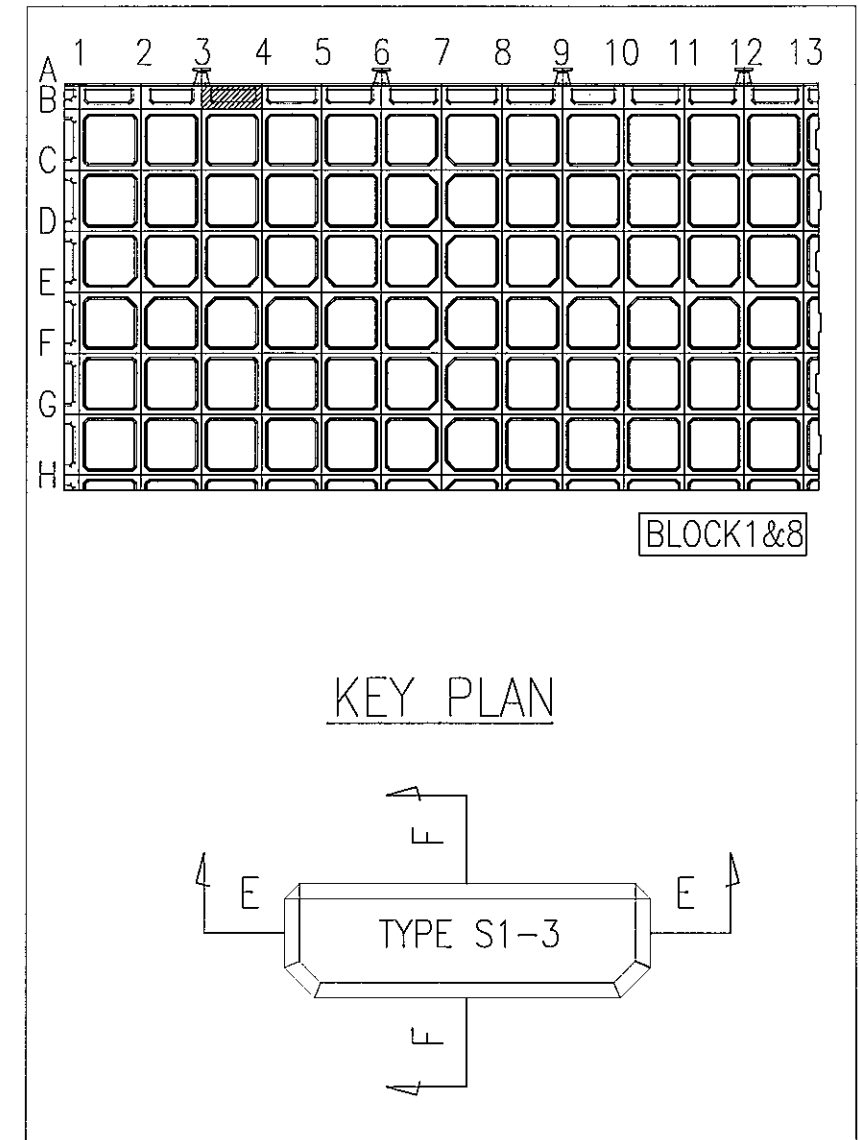
PLAN OF BARS ARRANGEMENT
SC=1/50



SECTION F-F
SC=1/50



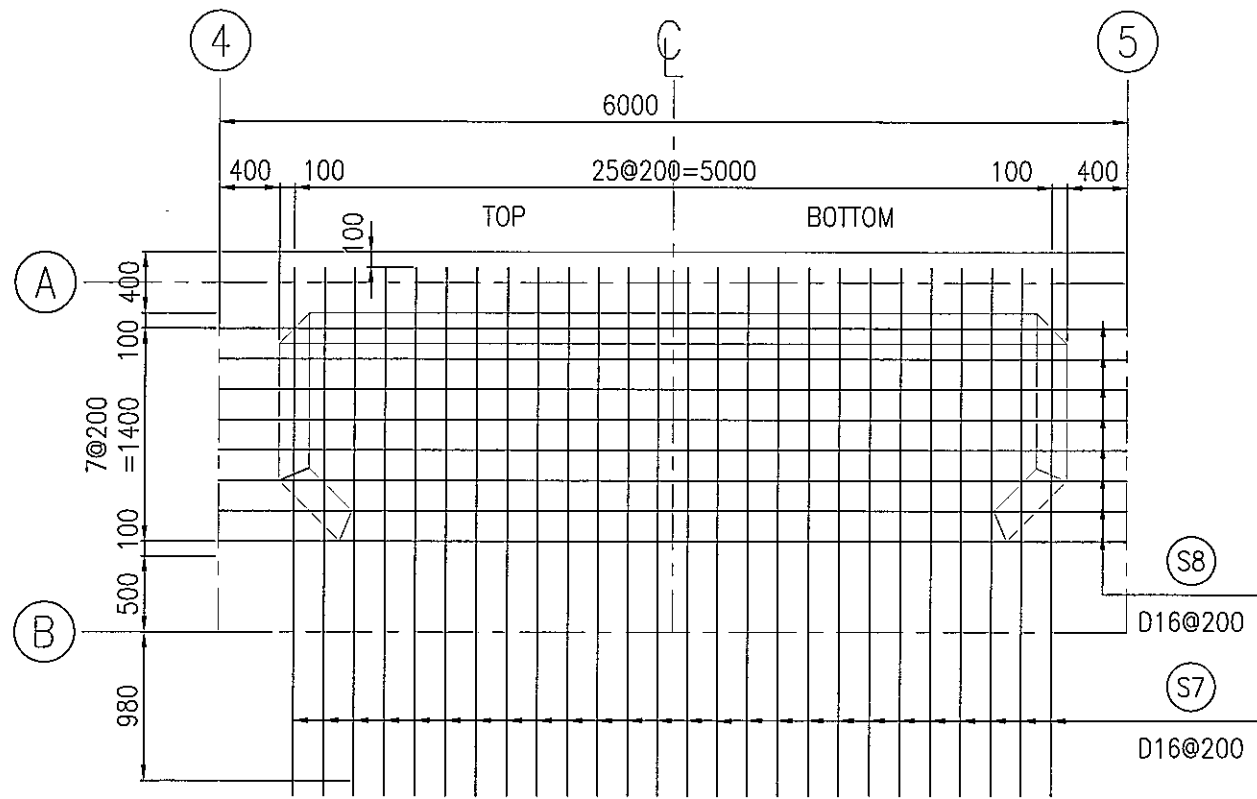
SECTION E-E
SC=1/50



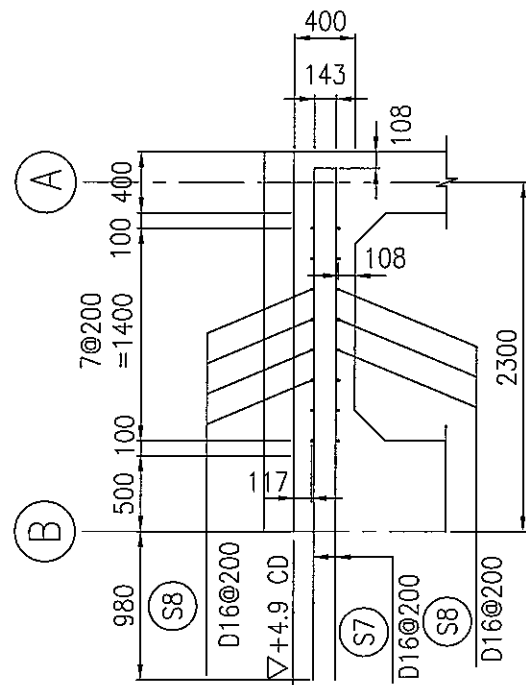
LEGENDS:

- DIMENSIONS ARE IN MILLIMETER.
- ELEVATIONS ARE IN METER - CHART DATUM.
- NUMBERS OF SLAB OF TYPE S1-3 ARE 4 NOS./BLOCK

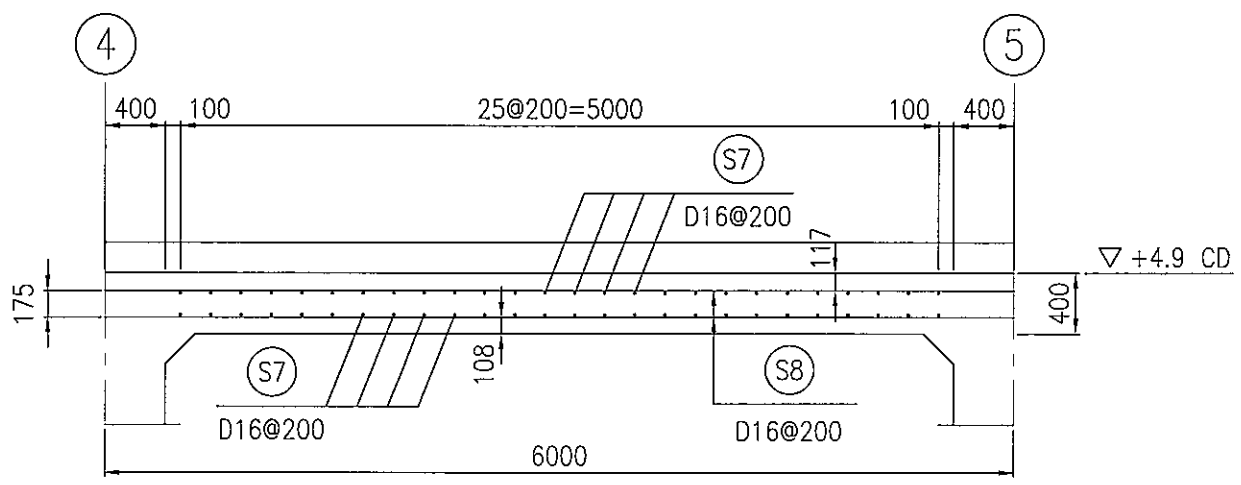
<p align="center">THE SOCIALIST REPUBLIC OF VIETNAM MINISTRY OF TRANSPORT PROJECT MANAGEMENT UNIT 85</p>					<p align="center">CAI MEP - THI VAI INTERNATIONAL PORT CONSTRUCTION PROJECT</p>					<p>DESIGNED BY: TRAN KHANH HUNG DRAWN BY: LUU THI PHUONG CHECKED BY: YOSHIDA Y. APPROVED BY: NAGAI K. ISSUE DATE: 15/SEP/2005 SCALE: 1/50</p>					<p>SECTION: CIVIL WORKS SUB-SECTION: QUAY FACILITIES TITLE OF DRAWING: BARS ARRANGEMENT OF SLAB OF TYPE S1 [3] DWG NO: PAC2-TV-QAF-052 REV. NO</p>				
<p align="center">JICA JAPAN INTERNATIONAL COOPERATION AGENCY ASSIGNED TO: JAPAN PORT CONSULTANT (JPC) PACIFIC CONSULTANTS INTERNATIONAL (PCI) INTERNATIONAL DEVELOPMENT SYSTEM (IDS)</p>					<p align="center">PACKAGE 2 CONSTRUCTION OF PORT FACILITIES AND BUILDINGS FOR THI VAI AREA</p>														
REV NO	DATE	DESCRIPTION	BY	APP															



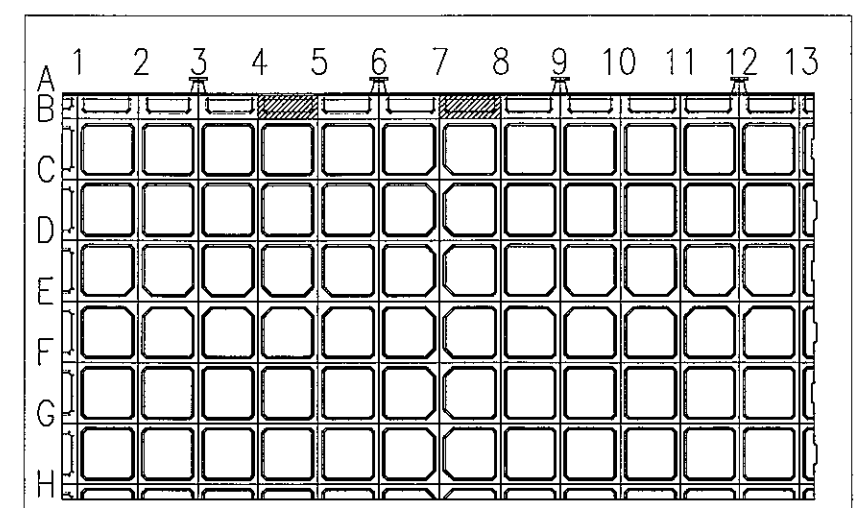
PLAN OF BARS ARRANGEMENT
SC=1/50



SECTION H-H
SC=1/50

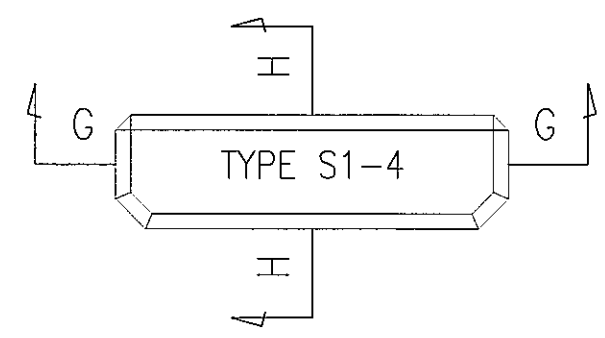


SECTION G-G
SC=1/50



BLOCK 1&8

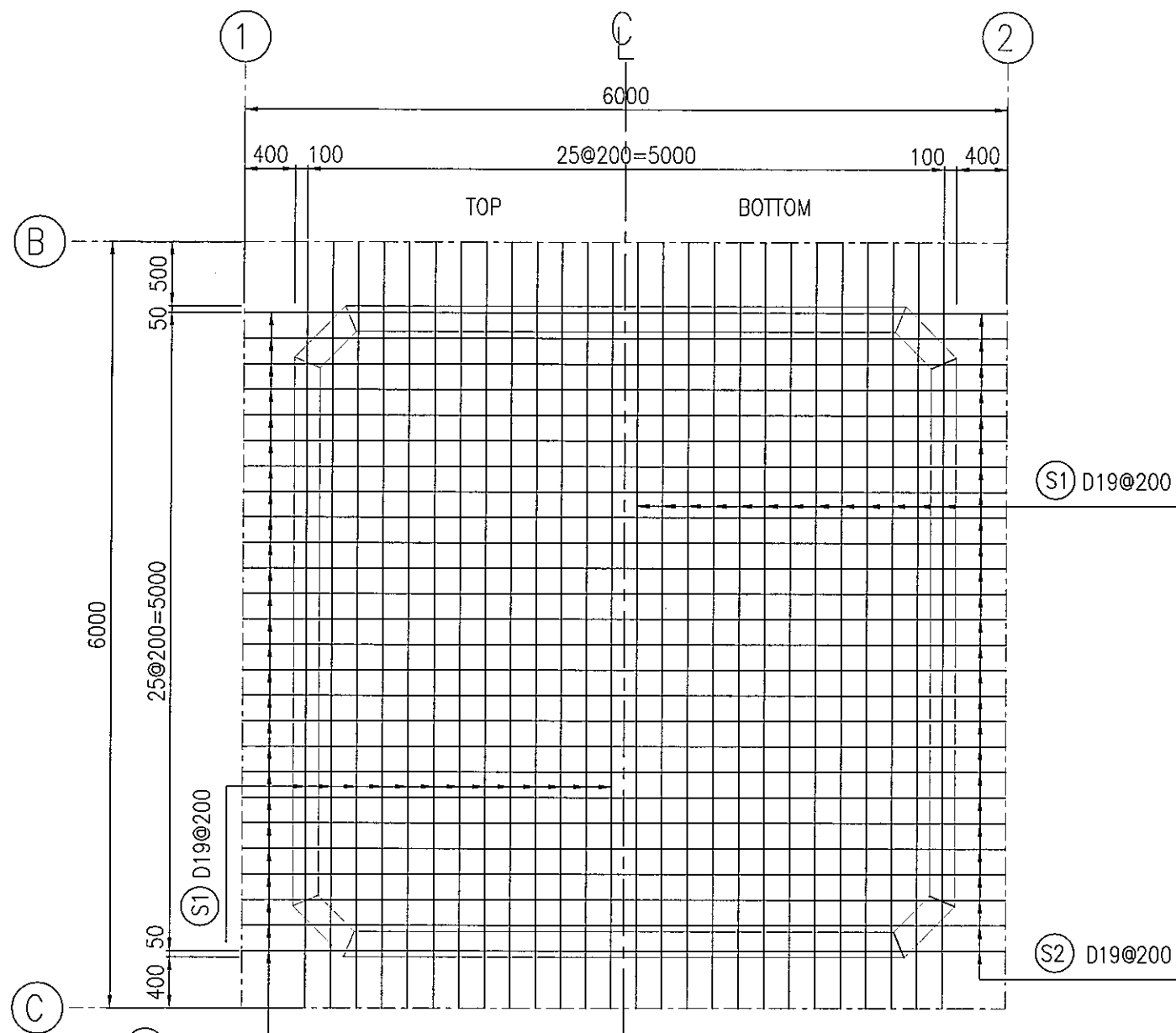
KEY PLAN



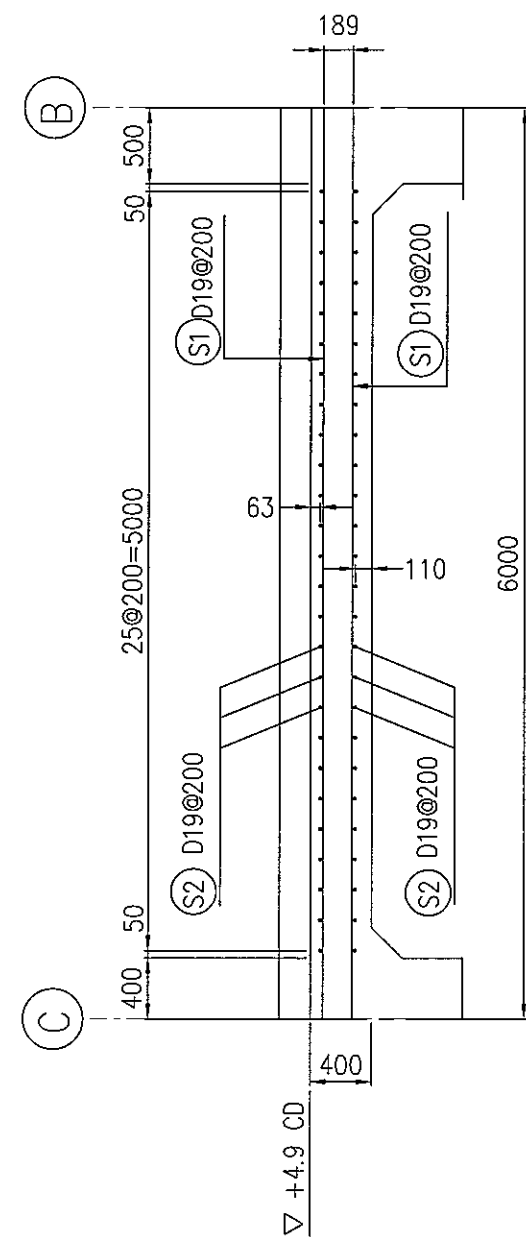
LEGENDS:

- DIMENSIONS ARE IN MILLIMETER.
- ELEVATIONS ARE IN METER - CHART DATUM.
- NUMBERS OF SLAB OF TYPE S1-4 ARE 2 NOS./BLOCK

<p align="center">THE SOCIALIST REPUBLIC OF VIETNAM MINISTRY OF TRANSPORT PROJECT MANAGEMENT UNIT 85</p>					<p align="center">CAI MEP - THI VAI INTERNATIONAL PORT CONSTRUCTION PROJECT</p>					<p>DESIGNED BY: TRAN KHANH HUNG DRAWN BY: VU THI HANG CHECKED BY: YOSHIDA Y. APPROVED BY: NAGAI K. ISSUE DATE: 15/SEP/2005 SCALE: 1/50</p>					<p>SECTION: CIVIL WORKS SUB-SECTION: QUAY FACILITIES TITLE OF DRAWING: BARS ARRANGEMENT OF SLAB OF TYPE S1[4] DWG NO: PAC2-TV-QAF-053 REV. NO</p>				
<p align="center">jica JAPAN INTERNATIONAL COOPERATION AGENCY ASSIGNED TO: JAPAN PORT CONSULTANT (JPC) PACIFIC CONSULTANTS INTERNATIONAL (PCI) INTERNATIONAL DEVELOPMENT SYSTEM (IDS)</p>					<p align="center">PACKAGE 2 CONSTRUCTION OF PORT FACILITIES AND BUILDINGS FOR THI VAI AREA</p>														
REV NO	DATE	DESCRIPTION	BY	APP															

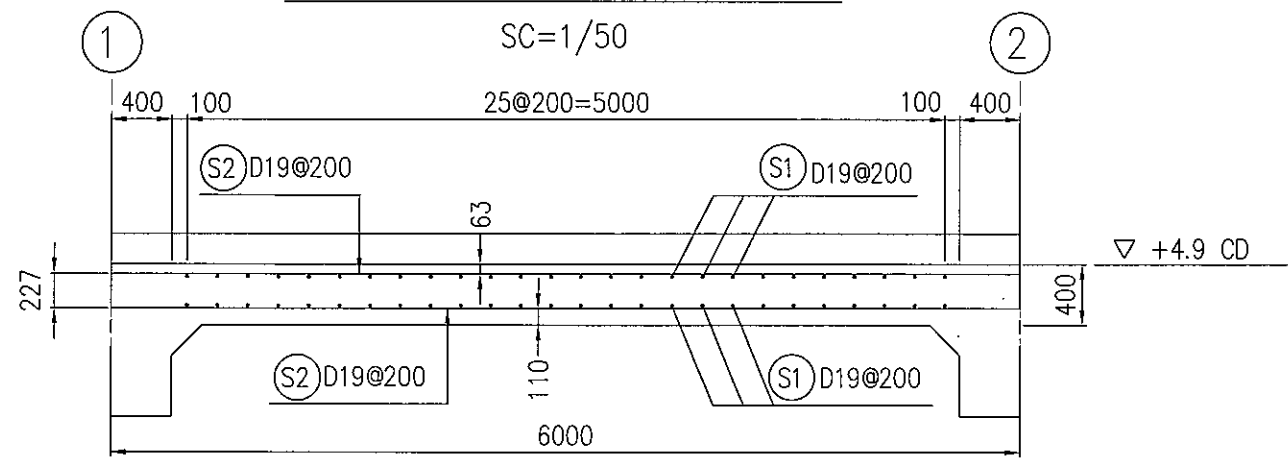


PLAN OF BARS ARRANGEMENT



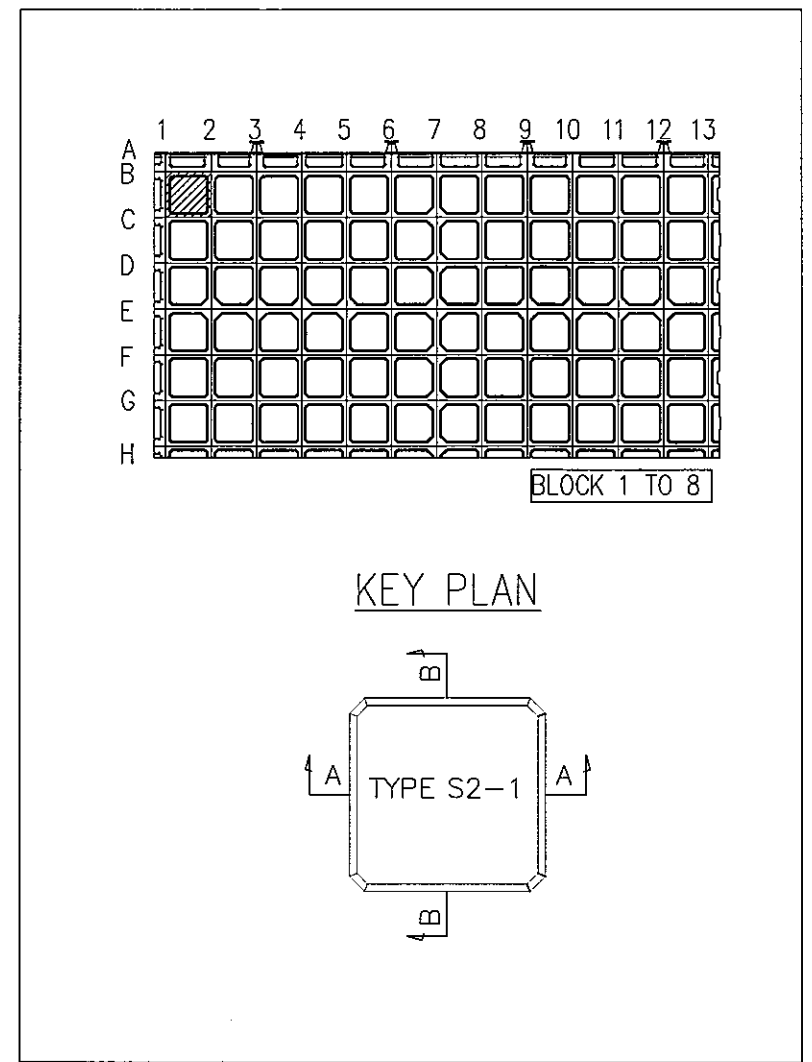
SECTION B-B

SC=1/50



SECTION A-A

SC=1/50



KEY PLAN

LEGENDS

- DIMENSIONS ARE IN MILLIMETER.
- ELEVATIONS ARE IN METER -- CHART DATUM.
- NUMBERS OF SLAB OF TYPE S2-1 ARE 24 NOS/BLOCK.

REV NO	DATE	DESCRIPTION	BY	APP

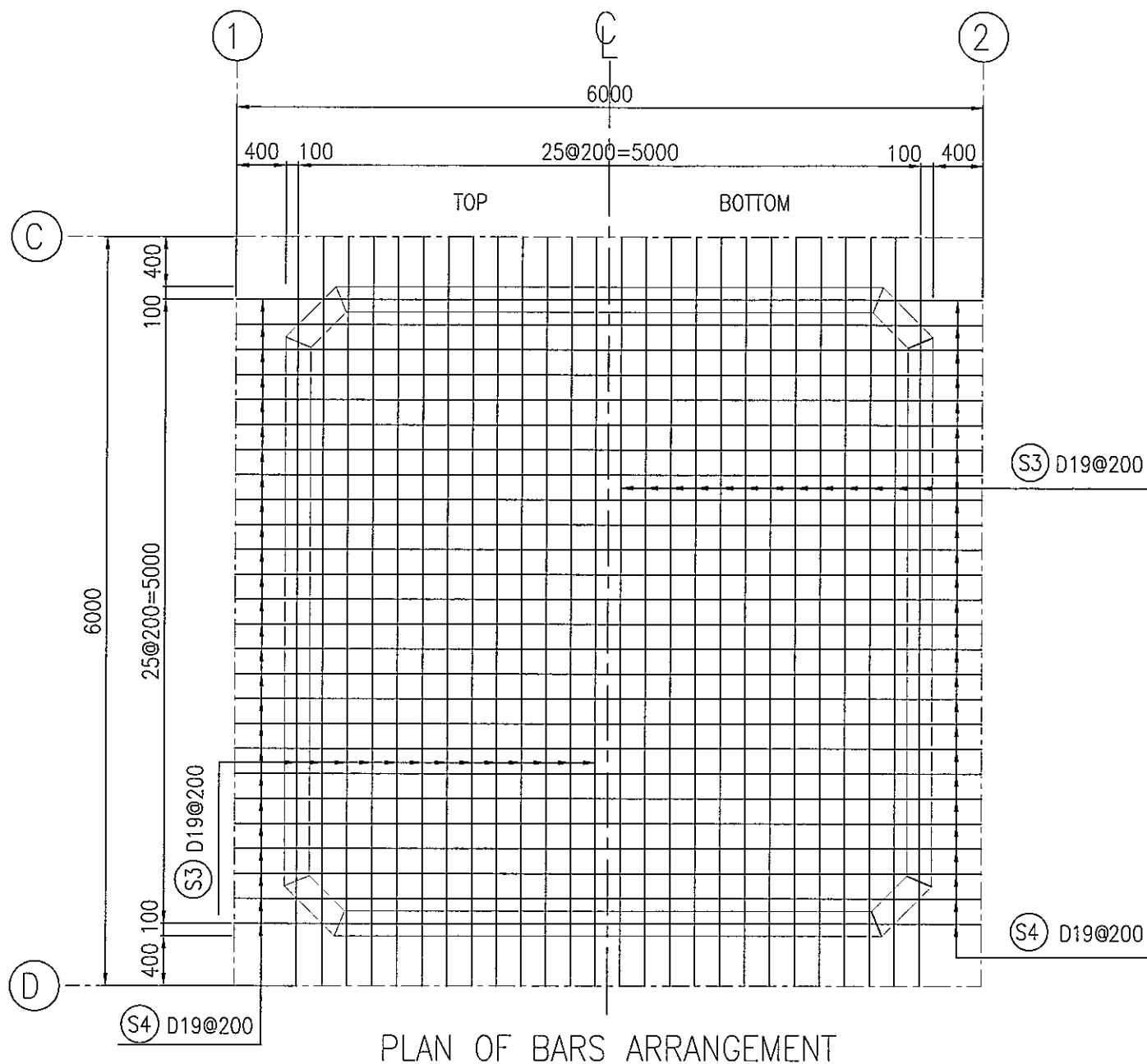
THE SOCIALIST REPUBLIC OF VIETNAM
 MINISTRY OF TRANSPORT
 PROJECT MANAGEMENT UNIT 85

JICA
 JAPAN INTERNATIONAL COOPERATION AGENCY
 ASSIGNED TO:
 JAPAN PORT CONSULTANT (JPC)
 PACIFIC CONSULTANTS INTERNATIONAL (PCI)
 INTERNATIONAL DEVELOPMENT SYSTEM (IDS)

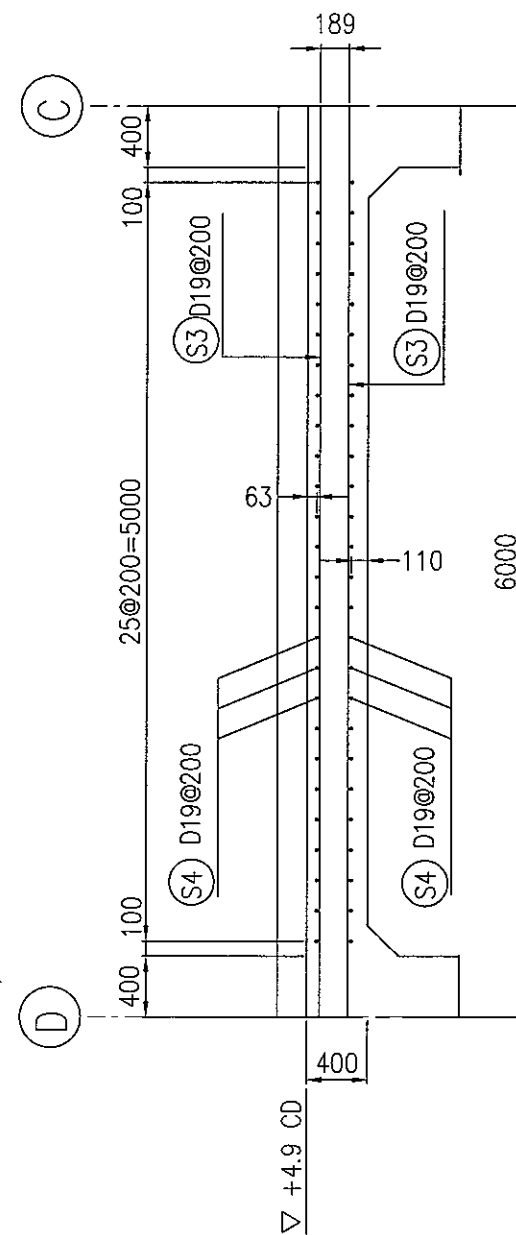
CAI MEP - THI VAI INTERNATIONAL PORT
 CONSTRUCTION PROJECT
 PACKAGE 2
 CONSTRUCTION OF PORT FACILITIES AND BUILDINGS FOR
 THI VAI AREA

DESIGNED BY: TRAN KHANH HUNG
 DRAWN BY: VU THI HANG
 CHECKED BY: YOSHIDA Y.
 APPROVED BY: NAGAI K.
 ISSUE DATE: 13/SEP/2005
 SCALE: 1/50

SECTION: CIVIL WORKS
 SUB-SECTION: QUAY FACILITIES
 TITLE OF DRAWING: BARS ARRANGEMENT OF SLAB OF TYPE S2(1)
 DWG NO: PAC2-TV-QAF-054
 REV. NO

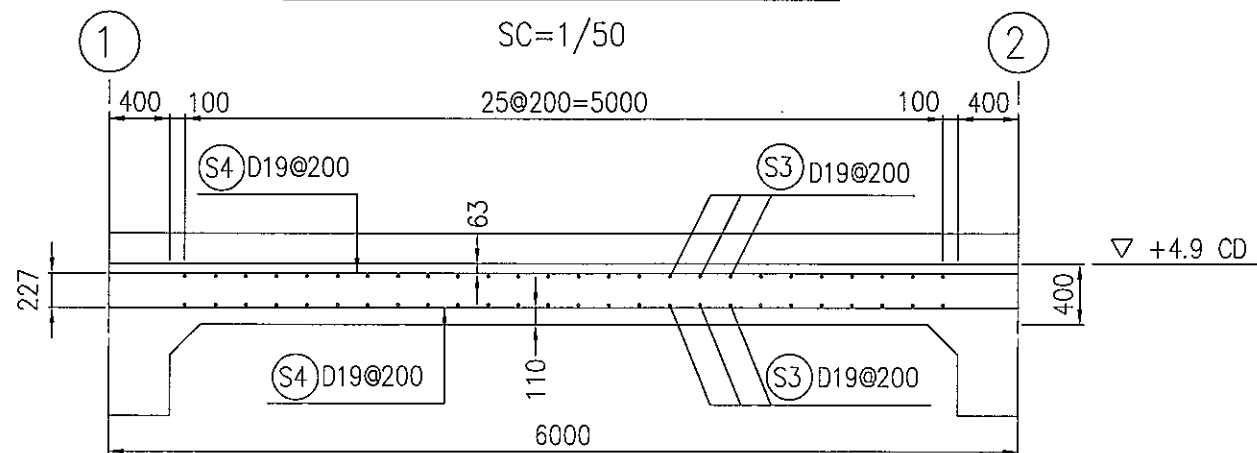


PLAN OF BARS ARRANGEMENT



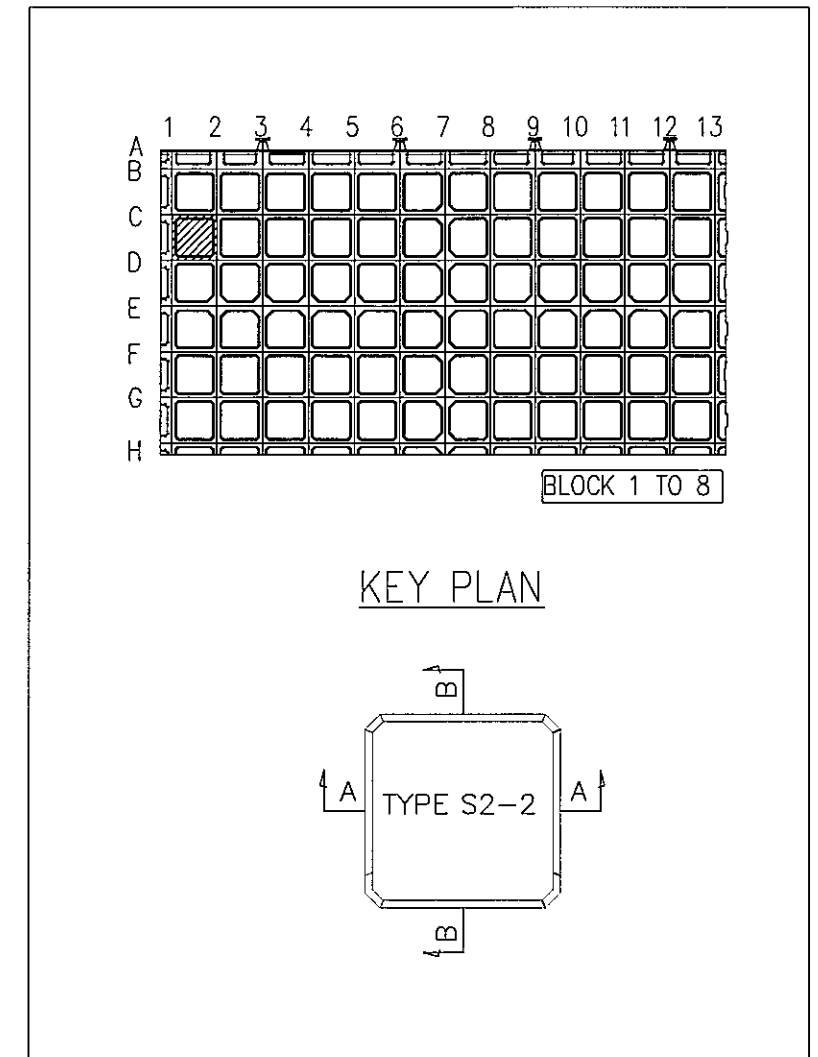
SECTION B-B

SC=1/50



SECTION A-A

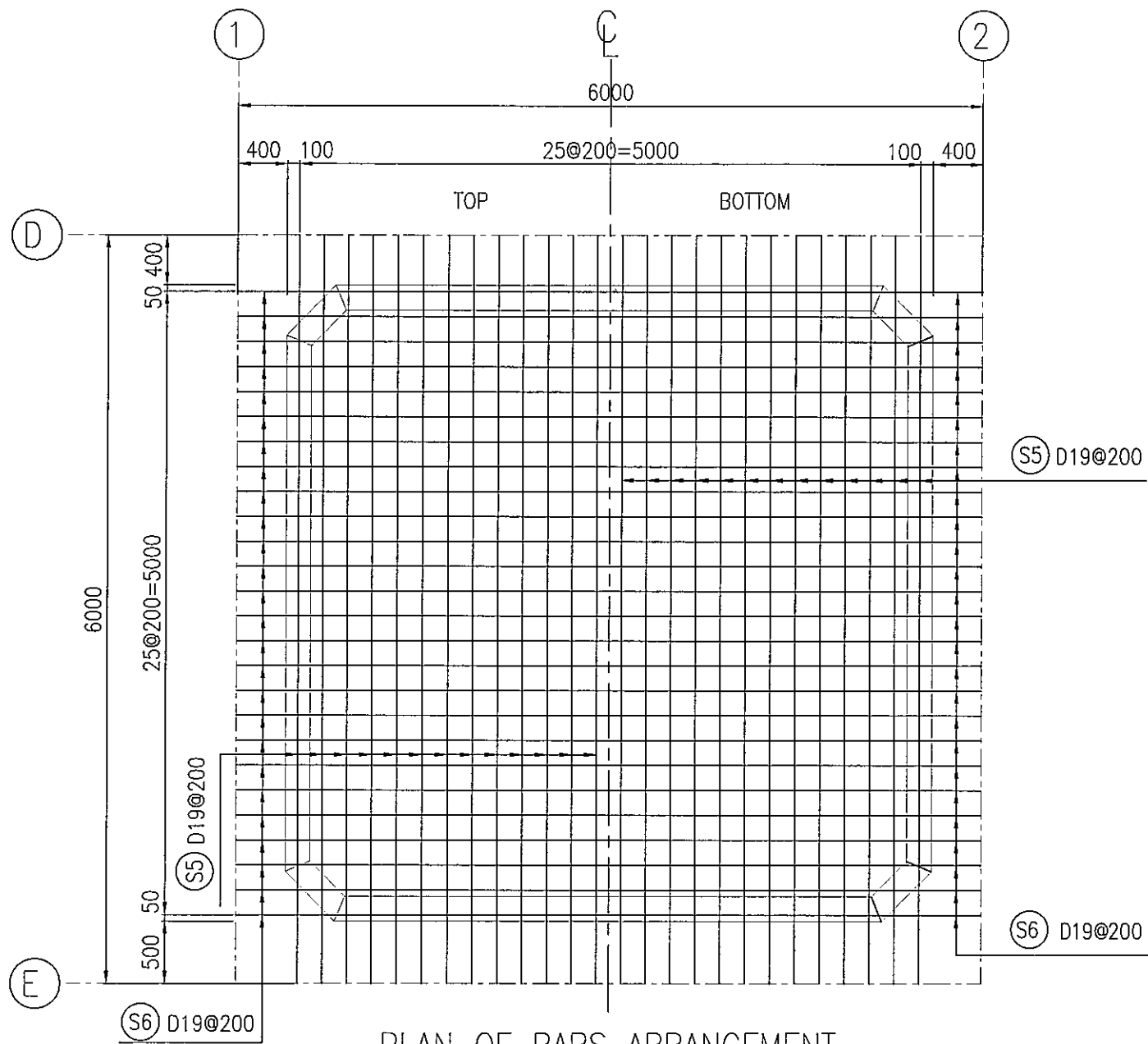
SC=1/50



LEGENDS

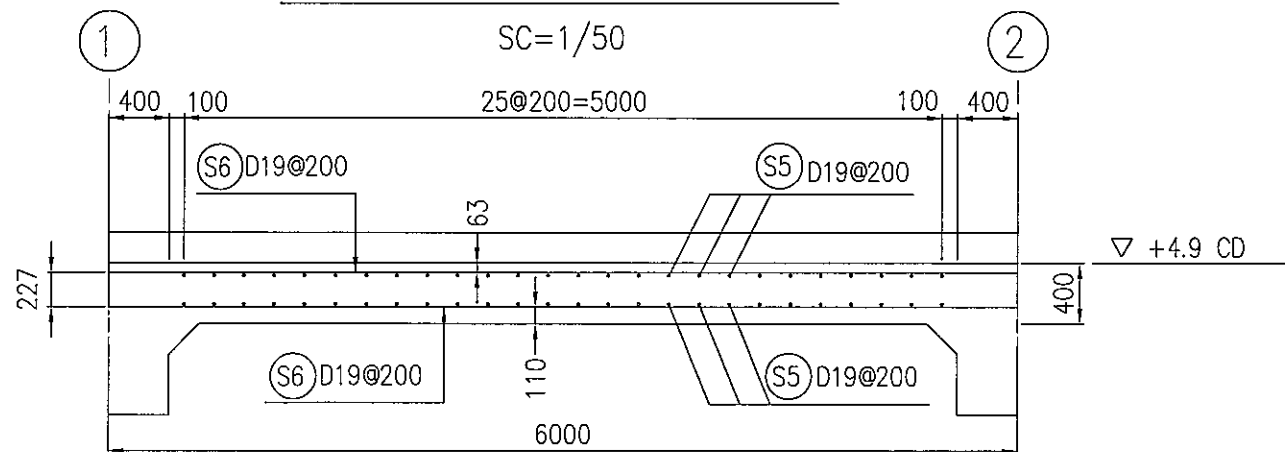
- DIMENSIONS ARE IN MILLIMETER.
- ELEVATIONS ARE IN METER - CHART DATUM.
- NUMBERS OF SLAB OF TYPE S2-2 ARE 36 NOS/BLOCK.

				THE SOCIALIST REPUBLIC OF VIETNAM MINISTRY OF TRANSPORT PROJECT MANAGEMENT UNIT 85		CAI MEP - THI VAI INTERNATIONAL PORT CONSTRUCTION PROJECT		DESIGNED BY: TRAN KHANH HUNG		SECTION: CIVIL WORKS	
				JAPAN INTERNATIONAL COOPERATION AGENCY ASSIGNED TO: JAPAN PORT CONSULTANT (JPC) PACIFIC CONSULTANTS INTERNATIONAL (PCI) INTERNATIONAL DEVELOPMENT SYSTEM (IDS)		PACKAGE 2 CONSTRUCTION OF PORT FACILITIES AND BUILDINGS FOR THI VAI AREA		DRAWN BY: VO THI HANG		SUB-SECTION: QUAY FACILITIES	
						APPROVED BY: NAGAI K.		CHECKED BY: YOSHIDA Y.		TITLE OF DRAWING: BARS ARRANGEMENT OF SLAB OF TYPE S2[2]	
REV NO	DATE	DESCRIPTION	BY	APP			ISSUE DATE: 15/SEP/2005		DWG NO: PAC2-TV-QAF-055		REV. NO
								SCALE: 1/50			



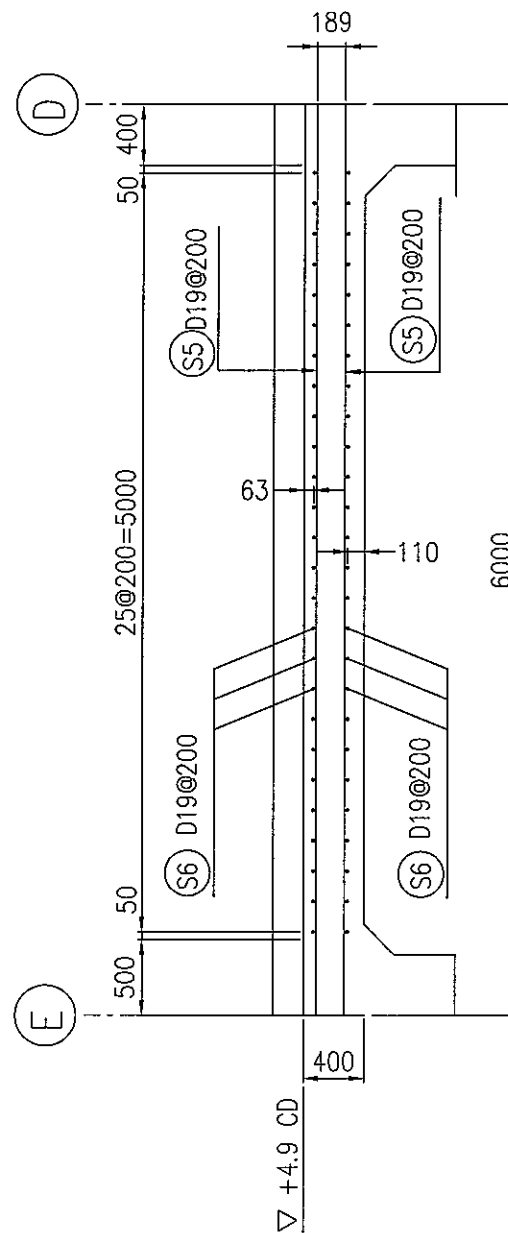
PLAN OF BARS ARRANGEMENT

SC=1/50



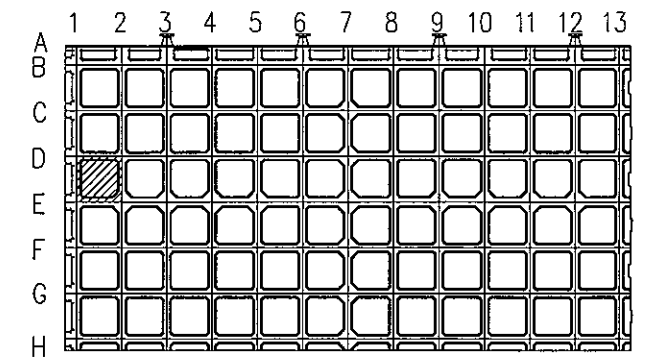
SECTION A-A

SC=1/50



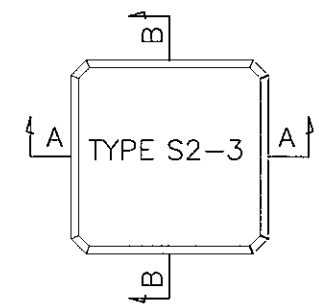
SECTION B-B

SC=1/50



BLOCK 1 TO 8

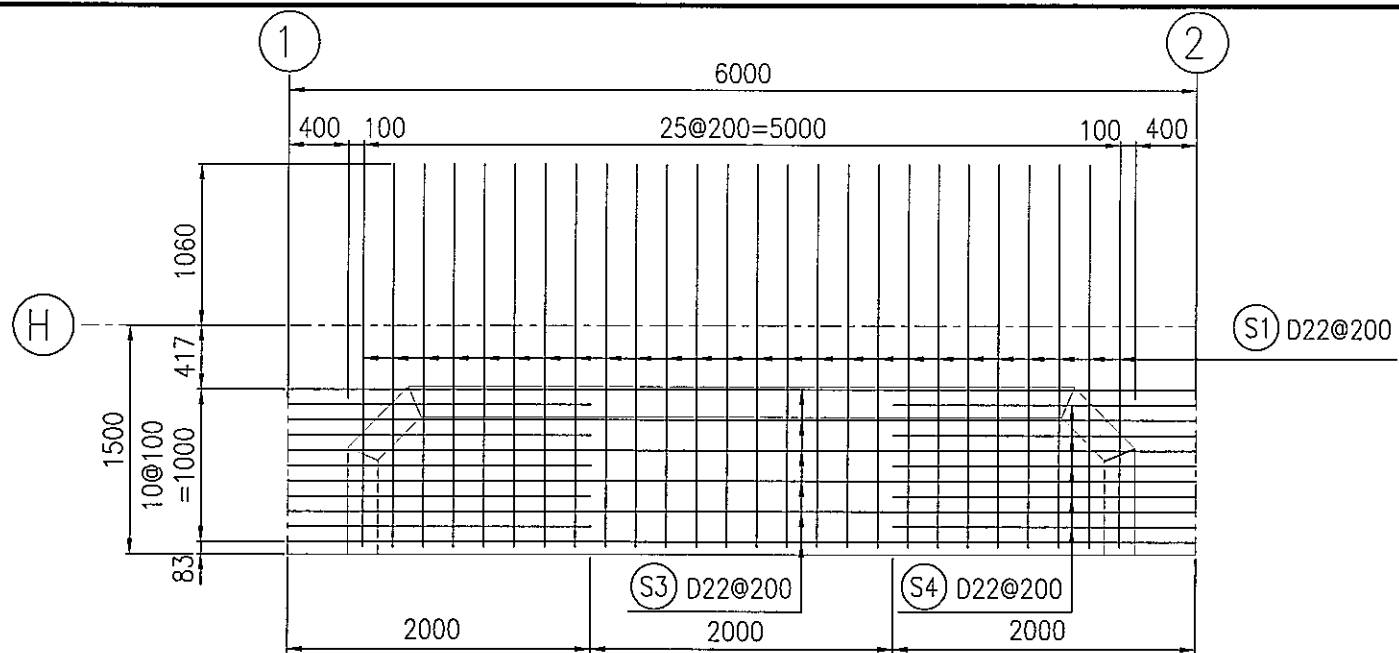
KEY PLAN



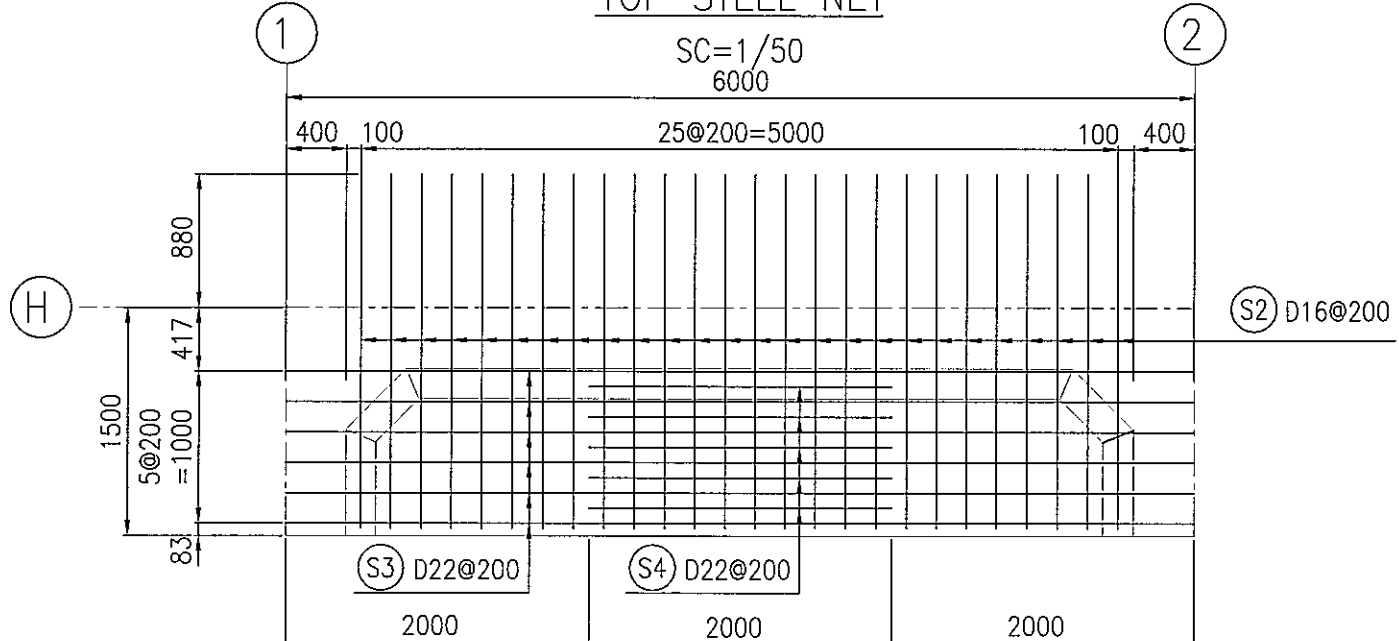
LEGENDS

- DIMENSIONS ARE IN MILLIMETER.
- ELEVATIONS ARE IN METER - CHART DATUM.
- NUMBERS OF SLAB OF TYPE S2-3 ARE 12 NOS/BLOCK.

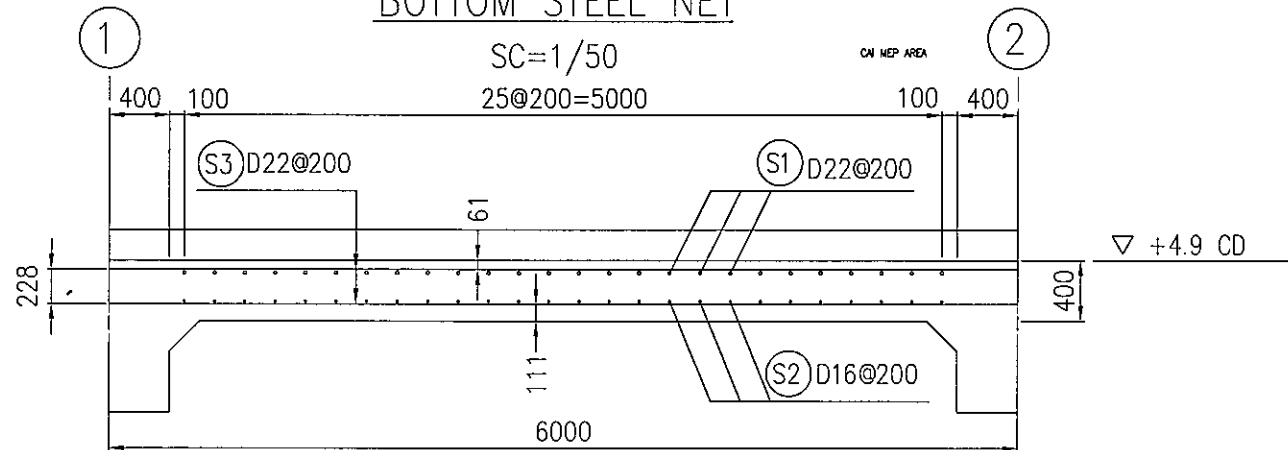
					THE SOCIALIST REPUBLIC OF VIETNAM MINISTRY OF TRANSPORT PROJECT MANAGEMENT UNIT 65		CAI MEP - THI VAI INTERNATIONAL PORT CONSTRUCTION PROJECT		DESIGNED BY: TRAN KHANH HUNG DRAWN BY: VU THI HANG CHECKED BY: YOSHIDA Y. APPROVED BY: NAGAI K. ISSUE DATE: 15/SEP/2005 SCALE: 1/50		SECTION: CIVIL WORKS SUB-SECTION: QUAY FACILITIES TITLE OF DRAWING: BARS ARRANGEMENT OF SLAB OF TYPE S2[3]	
					JICA JAPAN INTERNATIONAL COOPERATION AGENCY ASSIGNED TO: JAPAN PORT CONSULTANT (JPC) PACIFIC CONSULTANTS INTERNATIONAL (PCI) INTERNATIONAL DEVELOPMENT SYSTEM (IDS)		PACKAGE 2 CONSTRUCTION OF PORT FACILITIES AND BUILDINGS FOR THI VAI AREA		DWG NO: PAC2-TV-QAF-056		REV. NO	
REV NO	DATE	DESCRIPTION	BY	APP								



TOP STEEL NET

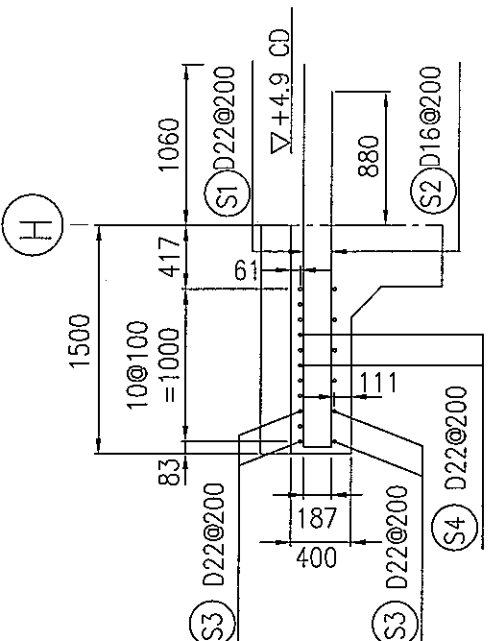


BOTTOM STEEL NET



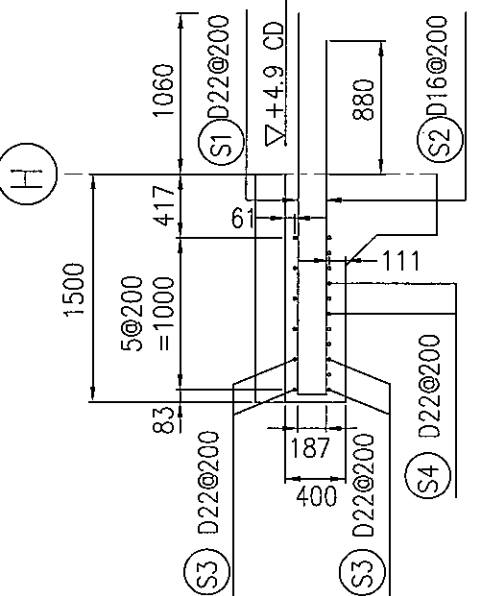
SECTION A-A

SC=1/50



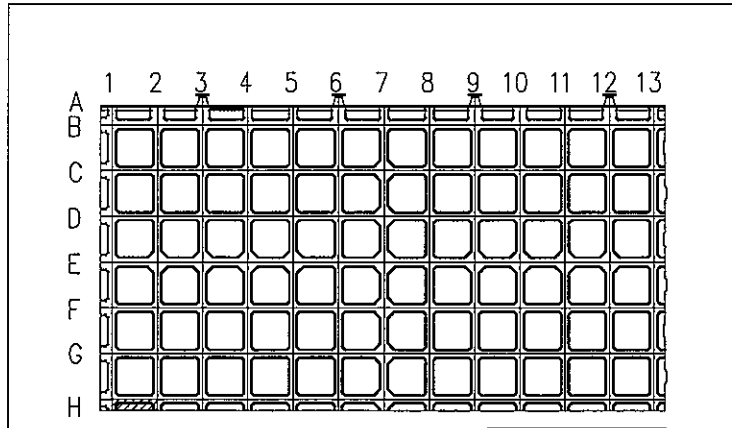
SECTION B-B

SC=1/50

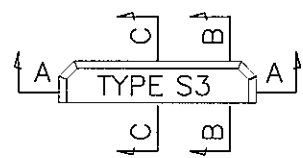


SECTION C-C

SC=1/50



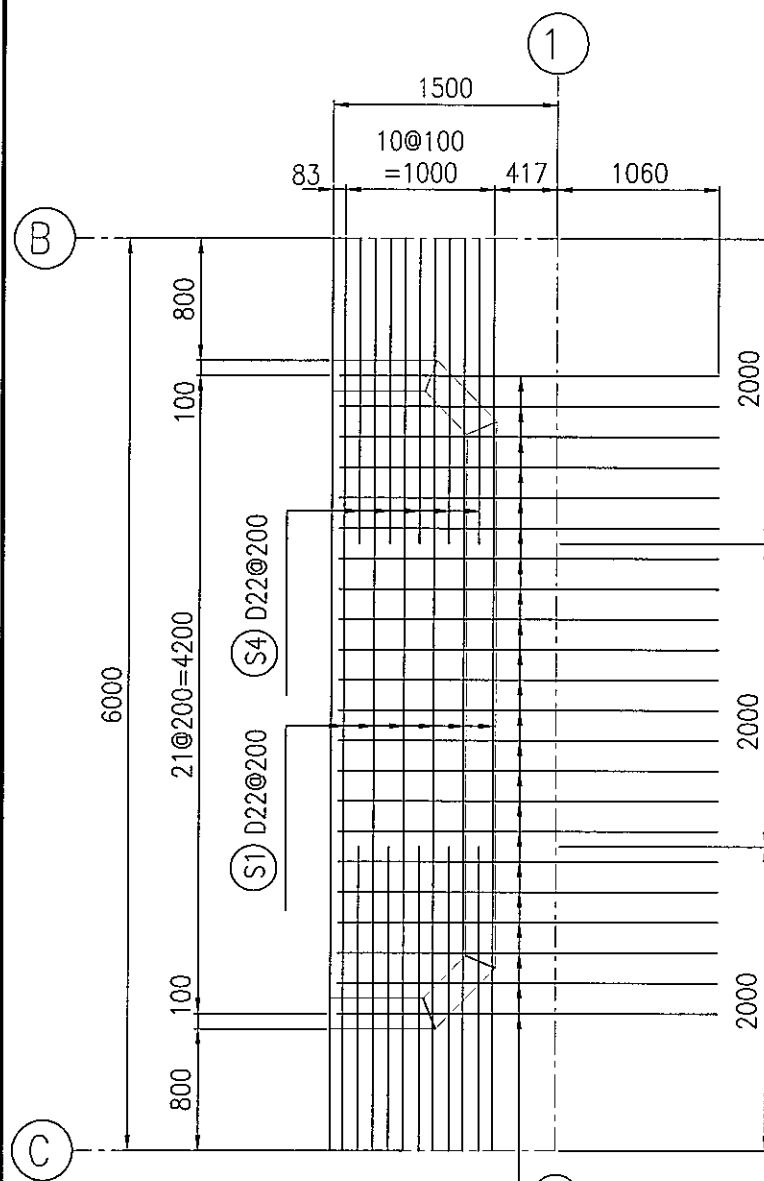
KEY PLAN



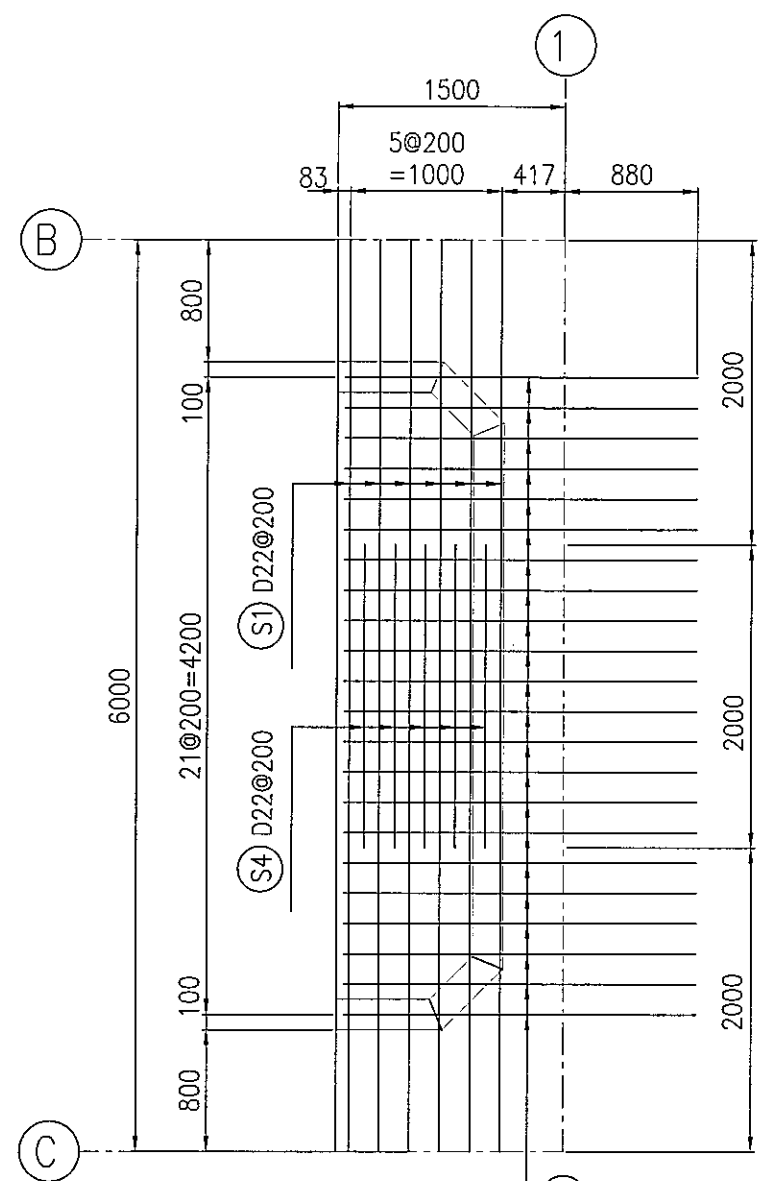
LEGENDS

- DIMENSIONS ARE IN MILLIMETER.
- ELEVATIONS ARE IN METER - CHART DATUM.
- NUMBERS OF SLAB OF TYPE S3 ARE 12 NOS/BLOCK.

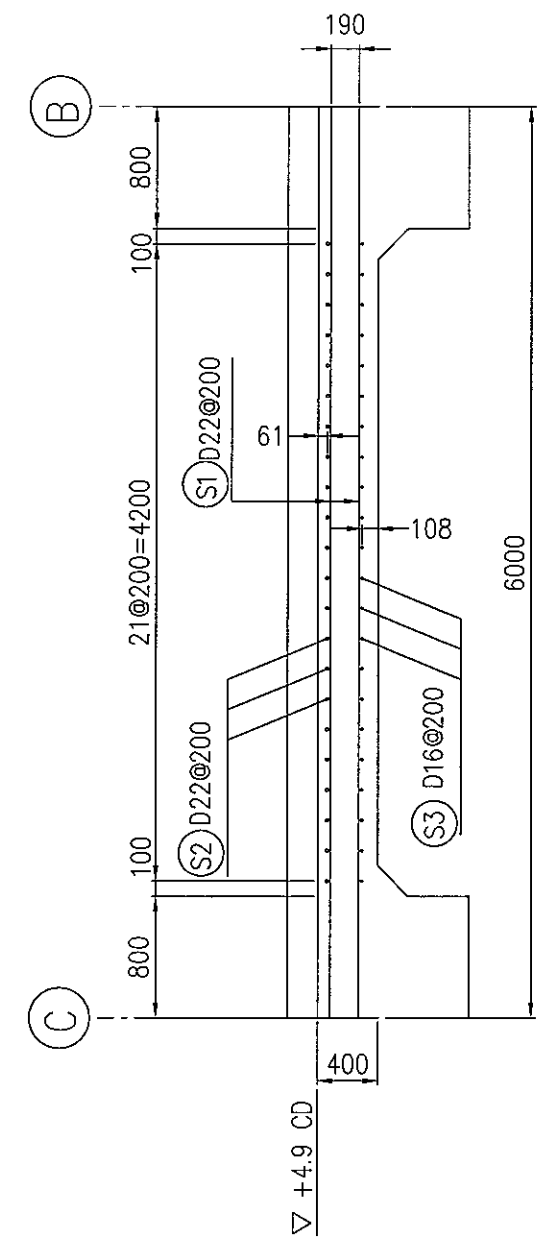
<p>THE SOCIALIST REPUBLIC OF VIETNAM MINISTRY OF TRANSPORT PROJECT MANAGEMENT UNIT 85</p>				<p>CAI MEP - THI VAI INTERNATIONAL PORT CONSTRUCTION PROJECT</p>		<p>DESIGNED BY: TRAN KHANH HUNG</p>		<p>SECTION: CIVIL WORKS</p>	
<p>JICA JAPAN INTERNATIONAL COOPERATION AGENCY ASSIGNED TO: JAPAN PORT CONSULTANT (JPC) PACIFIC CONSULTANTS INTERNATIONAL (PCI) INTERNATIONAL DEVELOPMENT SYSTEM (IDS)</p>				<p>PACKAGE 2 CONSTRUCTION OF PORT FACILITIES AND BUILDINGS FOR THI VAI AREA</p>		<p>DRAWN BY: VU THI HANG</p>		<p>SUB-SECTION: QUAY FACILITIES</p>	
<p>REV NO DATE DESCRIPTION BY APP</p>				<p>SCALE: 1/50</p>		<p>CHECKED BY: YOSHIDA Y.</p>		<p>TITLE OF DRAWING: BARS ARRANGEMENT OF SLAB OF TYPE S3</p>	
						<p>APPROVED BY: NAGAI K.</p>		<p>DWG NO: PAC2-TV-QAF-057</p>	
						<p>ISSUE DATE: 13/SEP/2005</p>		<p>REV. NO</p>	



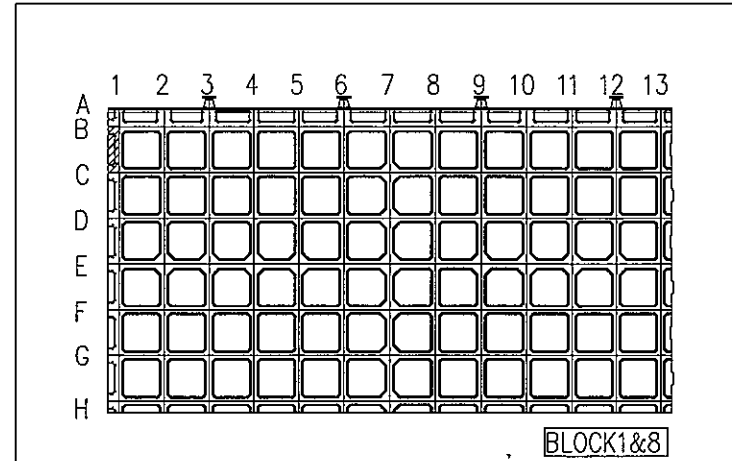
TOP STEEL NET
SC=1/50



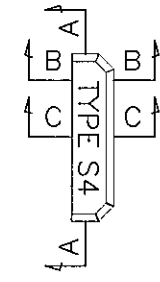
BOTTOM STEEL NET
SC=1/50



SECTION A-A
SC=1/50

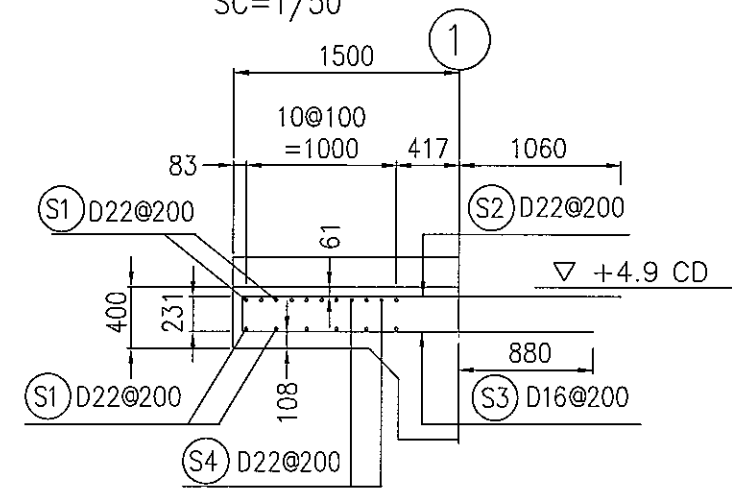


KEY PLAN

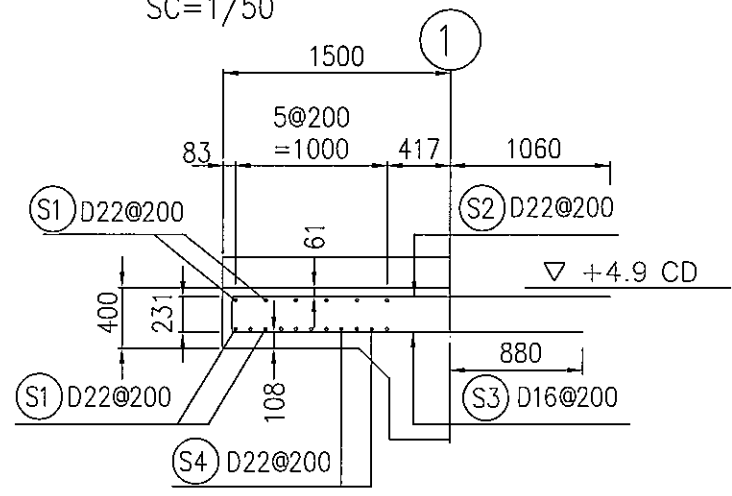


LEGENDS

- DIMENSIONS ARE IN MILLIMETER.
- ELEVATIONS ARE IN METER -- CHART DATUM.
- NUMBERS OF SLAB OF TYPE S4 ARE 6 NOS/BLOCK.

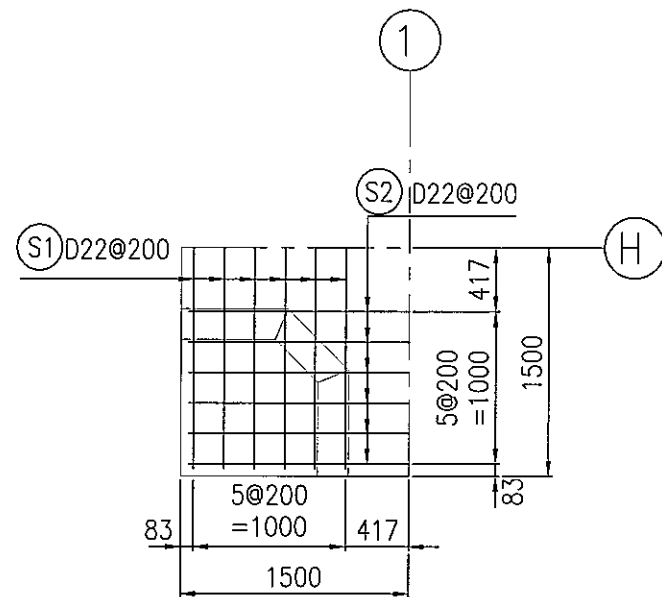


SECTION B-B
SC=1/50

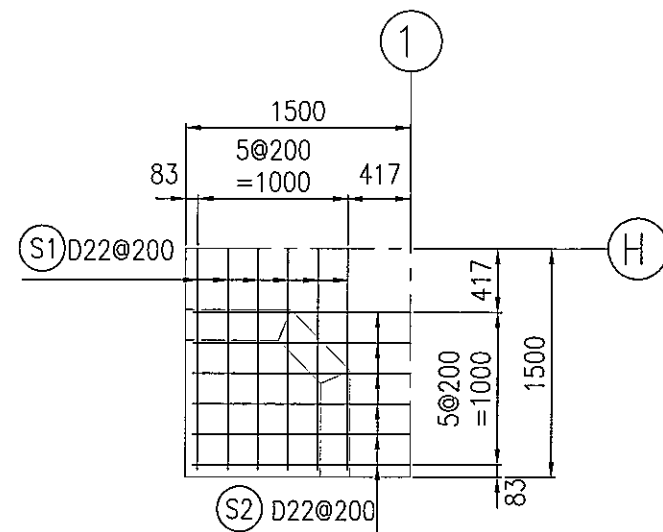


SECTION C-C
SC=1/50

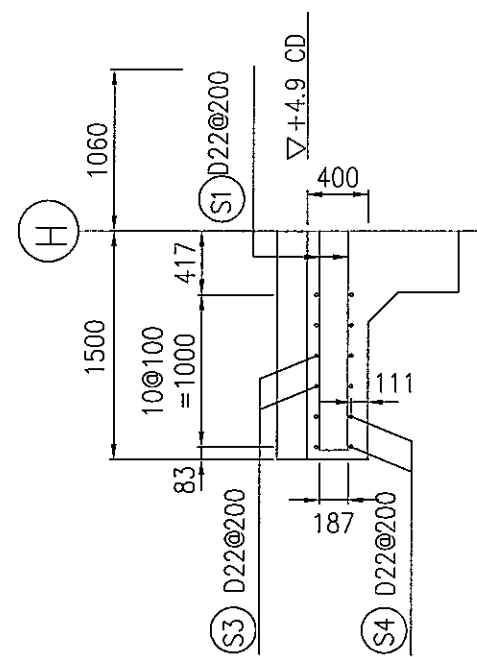
<p>THE SOCIALIST REPUBLIC OF VIETNAM MINISTRY OF TRANSPORT PROJECT MANAGEMENT UNIT 85</p>					<p>CAI MEP - THI VAI INTERNATIONAL PORT CONSTRUCTION PROJECT</p>		<p>DESIGNED BY: TRAN KHANH HUNG DRAWN BY: VU THI PHUONG CHECKED BY: YOSHIDA Y. APPROVED BY: NAGAI K. ISSUE DATE: 15/SEP/2005 SCALE: 1/50</p>		<p>SECTION: CIVIL WORKS SUB-SECTION: QUAY FACILITIES TITLE OF DRAWING: BARS ARRANGEMENT OF SLAB OF TYPE S4 DWG NO: PAC2-TV-QAF-058 REV. NO</p>	
<p>JICA JAPAN INTERNATIONAL COOPERATION AGENCY ASSIGNED TO: JAPAN PORT CONSULTANT (JPC) PACIFIC CONSULTANTS INTERNATIONAL (PCI) INTERNATIONAL DEVELOPMENT SYSTEM (IDS)</p>					<p>PACKAGE 2 CONSTRUCTION OF PORT FACILITIES AND BUILDINGS FOR THI VAI AREA</p>					
REV NO	DATE	DESCRIPTION	BY	APP						



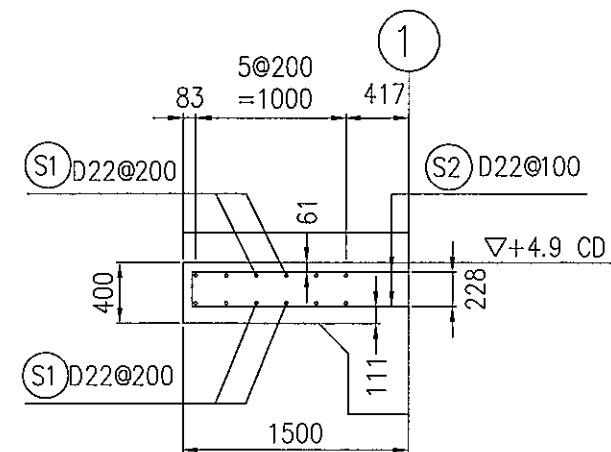
TOP STEEL NET
SC=1/50



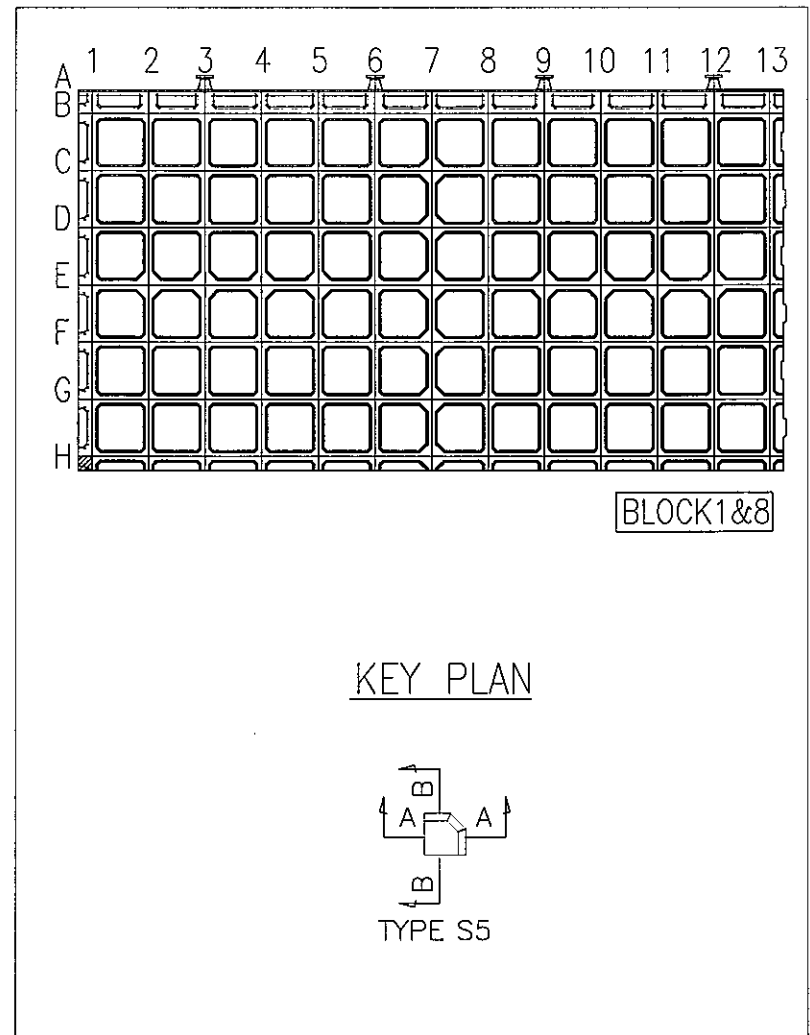
BOTTOM STEEL NET
SC=1/50



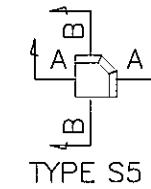
SECTION B-B
SC=1/50



SECTION A-A
SC=1/50



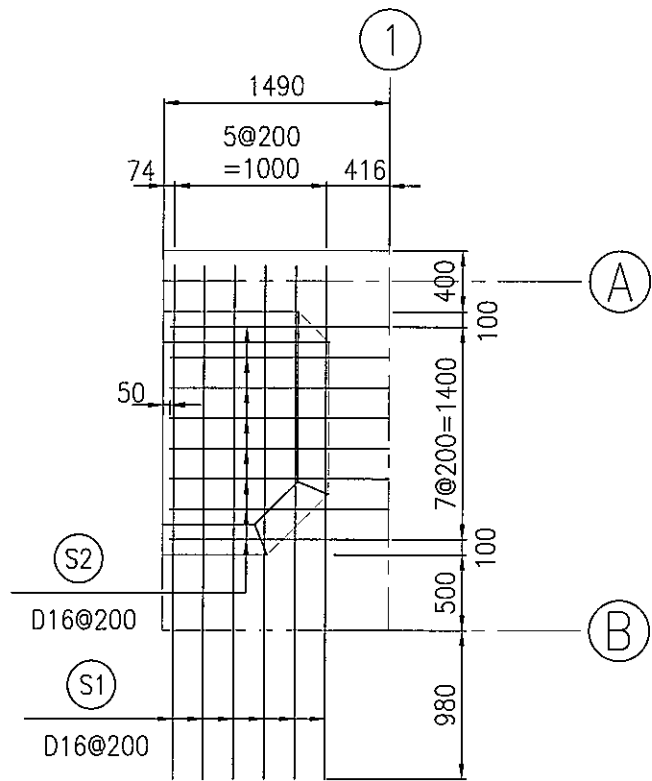
KEY PLAN



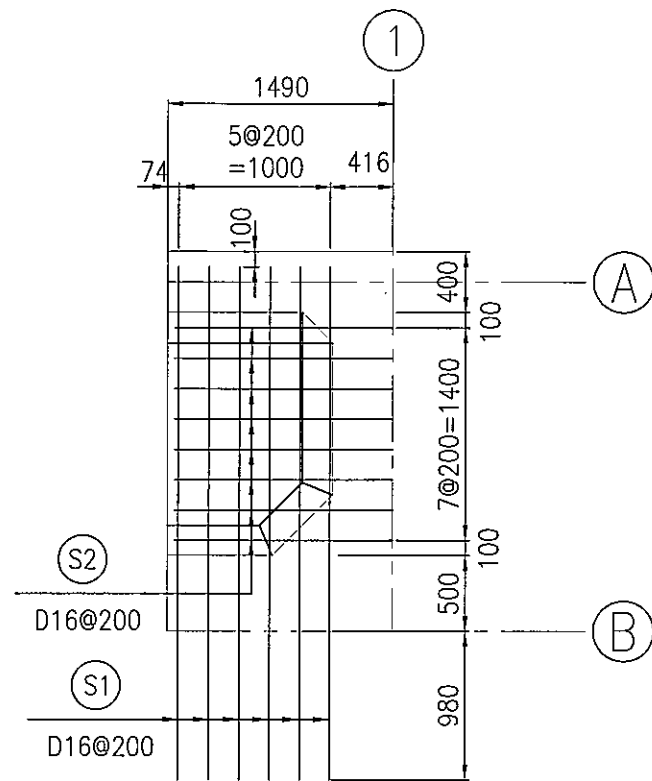
LEGENDS:

- DIMENSIONS ARE IN MILLIMETER.
- ELEVATIONS ARE IN METER - CHART DATUM.
- NUMBERS OF SLAB OF TYPE S5 ARE 2 NOS./BLOCK

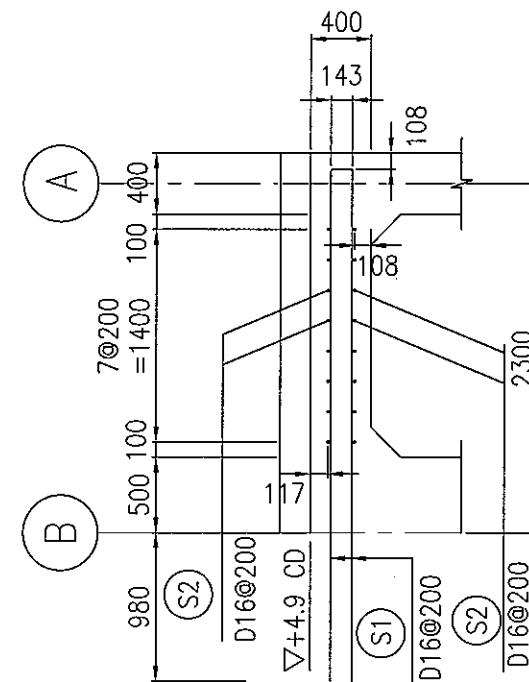
<p>THE SOCIALIST REPUBLIC OF VIETNAM MINISTRY OF TRANSPORT PROJECT MANAGEMENT UNIT 85</p>					<p>CAI MEP - THI VAI INTERNATIONAL PORT CONSTRUCTION PROJECT</p>		<p>DESIGNED BY: TRAN KHANH HUNG</p>		<p>SECTION: CIVIL WORKS</p>	
<p>JICA JAPAN INTERNATIONAL COOPERATION AGENCY ASSIGNED TO: JAPAN PORT CONSULTANT (JPC) PACIFIC CONSULTANTS INTERNATIONAL (PCI) INTERNATIONAL DEVELOPMENT SYSTEM (IDS)</p>					<p>PACKAGE 2 CONSTRUCTION OF PORT FACILITIES AND BUILDINGS FOR THI VAI AREA</p>		<p>DRAWN BY: VU THI HANG</p>		<p>SUB-SECTION: QUAY FACILITIES</p>	
<p>REV NO DATE DESCRIPTION BY APP</p>					<p>APPROVED BY: NAGAI K.</p>		<p>CHECKED BY: YOSHIDA Y.</p>		<p>TITLE OF DRAWING: BARS ARRANGEMENT OF SLAB OF TYPE S5</p>	
					<p>ISSUE DATE: 15/SEP/2005</p>		<p>SCALE: 1/50</p>		<p>DWG NO: PAC2-TV-QAF-059</p>	
									<p>REV. NO</p>	



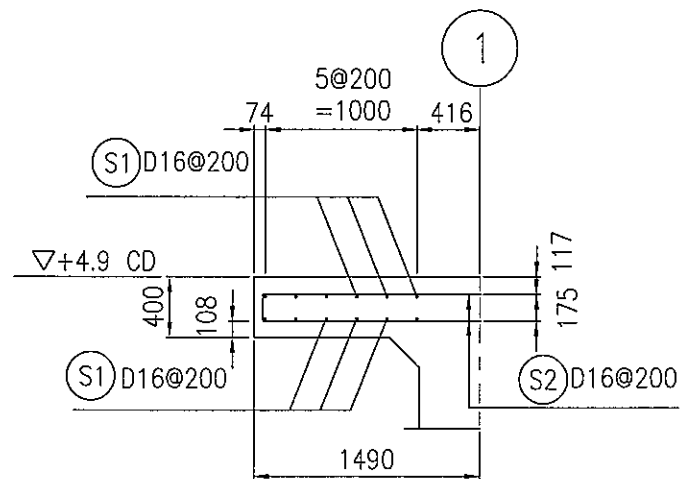
TOP STEEL NET
SC=1/50



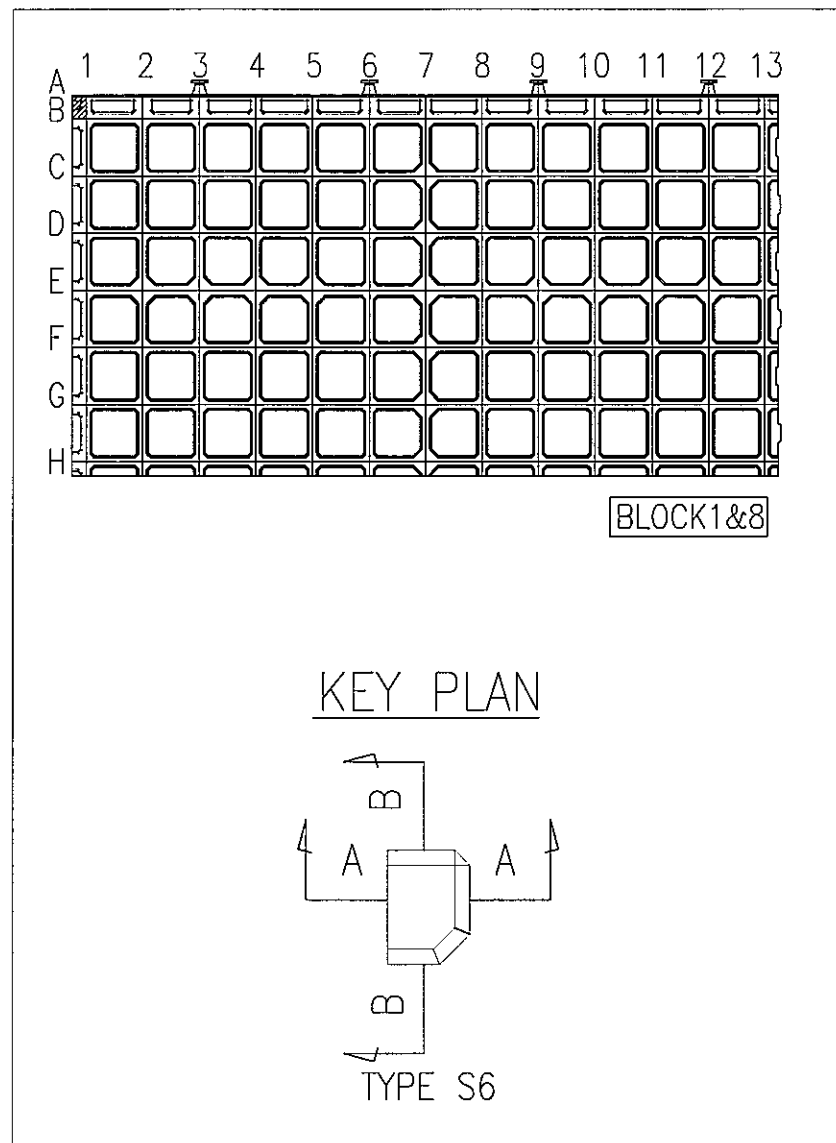
BOTTOM STEEL NET
SC=1/50



SECTION B-B
SC=1/50



SECTION A-A
SC=1/50



LEGENDS:

- DIMENSIONS ARE IN MILLIMETER.
- ELEVATIONS ARE IN METER - CHART DATUM.
- NUMBERS OF SLAB OF TYPE S6 ARE 2 NOS./BLOCK

<p align="center">THE SOCIALIST REPUBLIC OF VIETNAM MINISTRY OF TRANSPORT PROJECT MANAGEMENT UNIT 85</p>					<p align="center">CAI MEP - THI VAI INTERNATIONAL PORT CONSTRUCTION PROJECT</p>		<p>DESIGNED BY: TRAN KHANH HUNG</p> <p>DRAWN BY: VU THI HANG</p> <p>CHECKED BY: YOSHIDA Y.</p> <p>APPROVED BY: NAGAI K.</p> <p>ISSUE DATE: 15/SEP/2005</p> <p>SCALE: 1/50</p>		<p>SECTION: CIVIL WORKS</p> <p>SUB-SECTION: QUAY FACILITIES</p> <p>TITLE OF DRAWING: BARS ARRANGEMENT OF SLAB OF TYPE S6</p>	
<p align="center">JICA JAPAN INTERNATIONAL COOPERATION AGENCY ASSIGNED TO: JAPAN PORT CONSULTANT (JPC) PACIFIC CONSULTANTS INTERNATIONAL (PCI) INTERNATIONAL DEVELOPMENT SYSTEM (IDS)</p>					<p align="center">PACKAGE 2 CONSTRUCTION OF PORT FACILITIES AND BUILDINGS FOR THI VAI AREA</p>		<p>DWG NO: PAC2-TV-QAF-060</p>		<p>REV. NO</p>	
REV NO	DATE	DESCRIPTION	BY	APP						