

(Cat. No.

		Qty
67)	Scale Spring Balance Capacity : 4kg Type SB-4	2
68)	Scale Spring Balance Capacity : 8kg Type SB-8	2
69)	Scale Spring Balance Capacity : 12kg Type SB-12	2
70)	Magnetic Base Overall height : 233mm Support angle fixed Type MB-B	3
71)	Square 100 x 70mm Type SS-10	2
72)	Square 200 x 130mm Type SS-20	2
73)	Square 300 x 200mm Type SS-30	2
74)	Combination Square Set Rule range : 230mm Protector range : 90° - 0° - 90° Type #391	2

Item No.

Qty.

75) V Block			8
Dimension	:	100 x 55 x 38mm	
Type B-100B			
Refer to 1-1-9, Item No.36			
76) Straight Edge			3
Dimension	:	1,000 x 50 x 10mm	
Type SE-100			
77) Straight Edge			3
Dimension	:	500 x 40 x 8mm	
Type SE-50			
78) Iron Bench Level			3
Overall length	:	300mm	
Type BL-30			
79) Iron Bench Level			1
Overall length	:	600mm	
Type BL-60			
80) Iron Bench Level			1
Overall length	:	900mm	
Type BL-90			
81) Standard Feeler Gauge			5
Thickness of leaves	:	0.03 - 1.00	
Type No.65			
82) Thickness Gauge Strips			2
Leaf size	:	0.01 - 1.00mm by 0.01mm each length 3m	

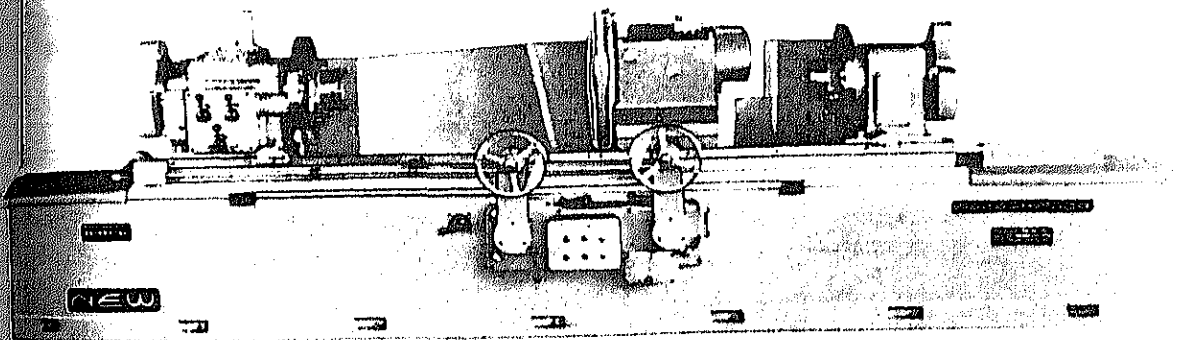
Item No.		Qty
83)	Rule Range : 0 - 1,000mm Type R-100	8
84)	Rule Range : 0 - 300mm Type R-30	12
85)	Vernier Caliper Range : 0 - 150mm Type N-15	5
86)	Vernier Caliper Range : 0 - 300mm Type N-30	5
87)	Lever Type Indicator Range : 0 - 0.3mm Type No.2 Refer to 1-1-4, Item No.21	3
88)	Abrasive Cloth & Paper No.40, 80, 150, 240, 400 No.80, 150, 240, 400, 600 each 50 sheets/set	1
89)	Bushing Cutter Tip width : 11mm Shaft dia. : 9.5mm Type C-40	5
90)	Valve Spring Tester Capacity : 0 - 240kg Type 240B Refer to 1-1-2, Item No.30	2

1-1-9

Item No.            1-1/2

Name                    Crankshaft Grinder

Type                    MG-2100



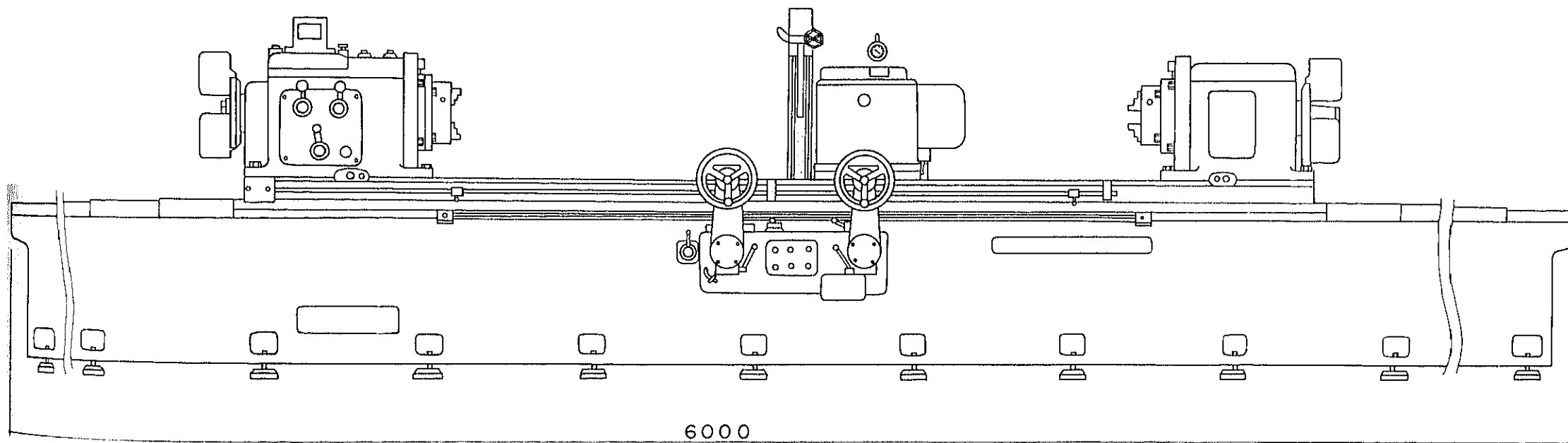
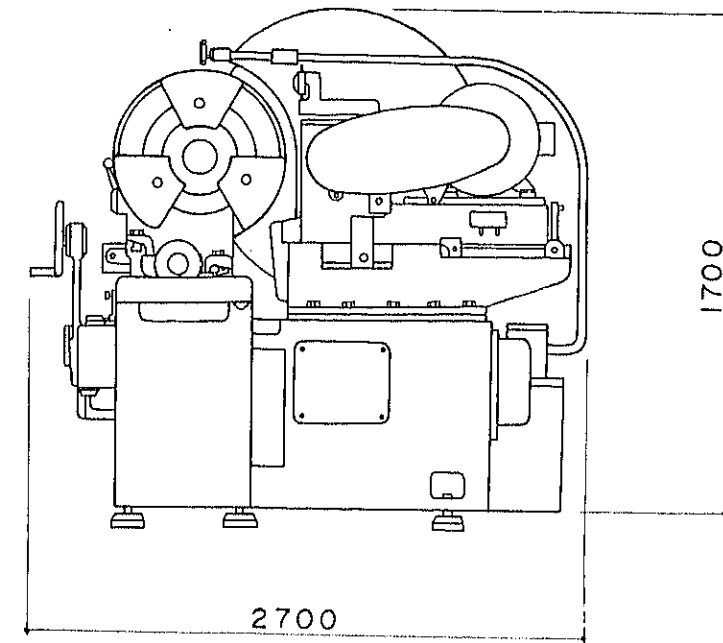
CONSTRUCTION PROJECT OF AUTOMOBILE REPAIR & MAINTENANCE WORKSHOP IN BANGLADESH	DATE
	SCALE
TITLE OF DRAWING	DRG. NO. —
JAPAN INTERNATIONAL COOPERATION AGENCY	

1-1-9

Item NO. 1-2/2

Name Crankshaft Grinder

Type MG-2100



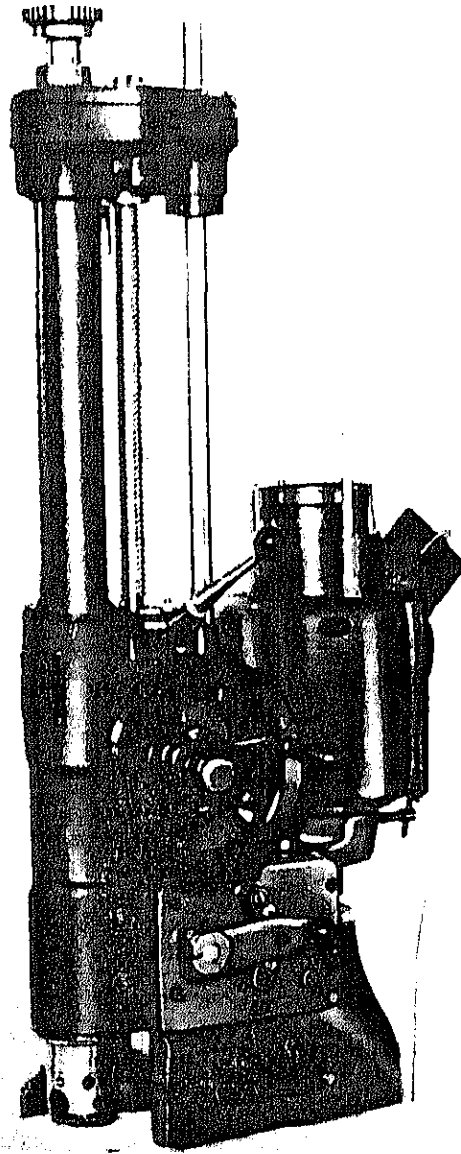
CONSTRUCTION PROJECT OF AUTOMOBILE REPAIR & MAINTENANCE WORKSHOP IN BANGLADESH		DATE
TITLE OF DRAWING  CRANKSHAFT GRINDER		SCALE
		DRG. NO G -003
JAPAN INTERNATIONAL COOPERATION AGENCY		

1-1-9

Item No. 2

Name Cylinder Boring Machine

Type NWA-No. 2



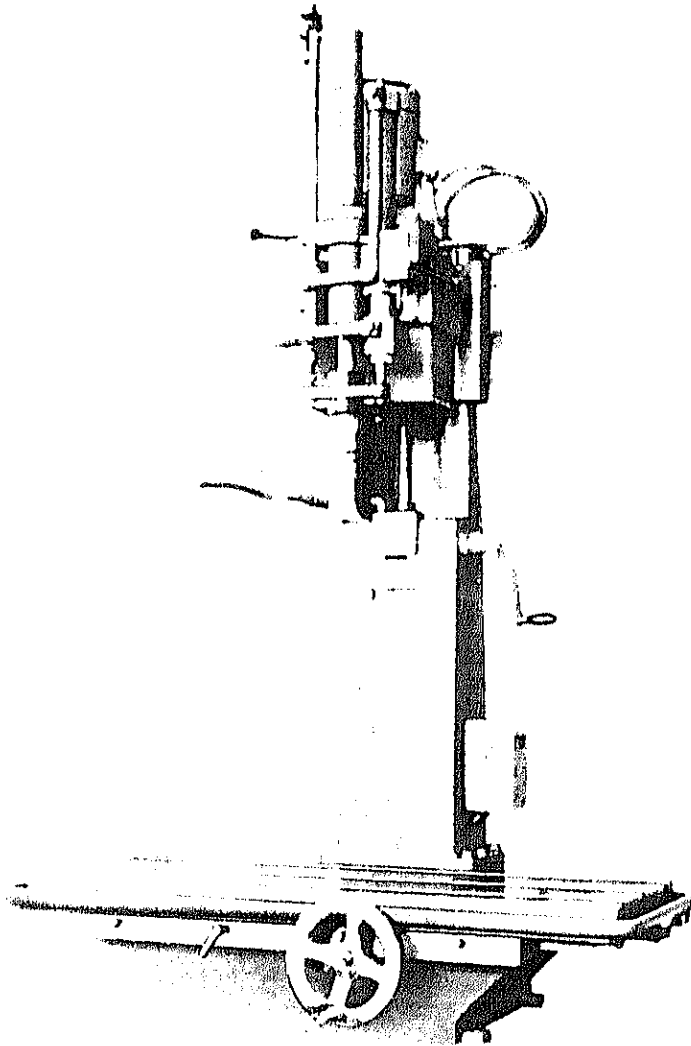
CONSTRUCTION PROJECT OF AUTOMOBILE REPAIR & MAINTENANCE WORKSHOP IN BANGLADESH	DATE
	SCALE
TITLE OF DRAWING	ORG. NO. —
JAPAN INTERNATIONAL COOPERATION AGENCY	

---1-1-9---

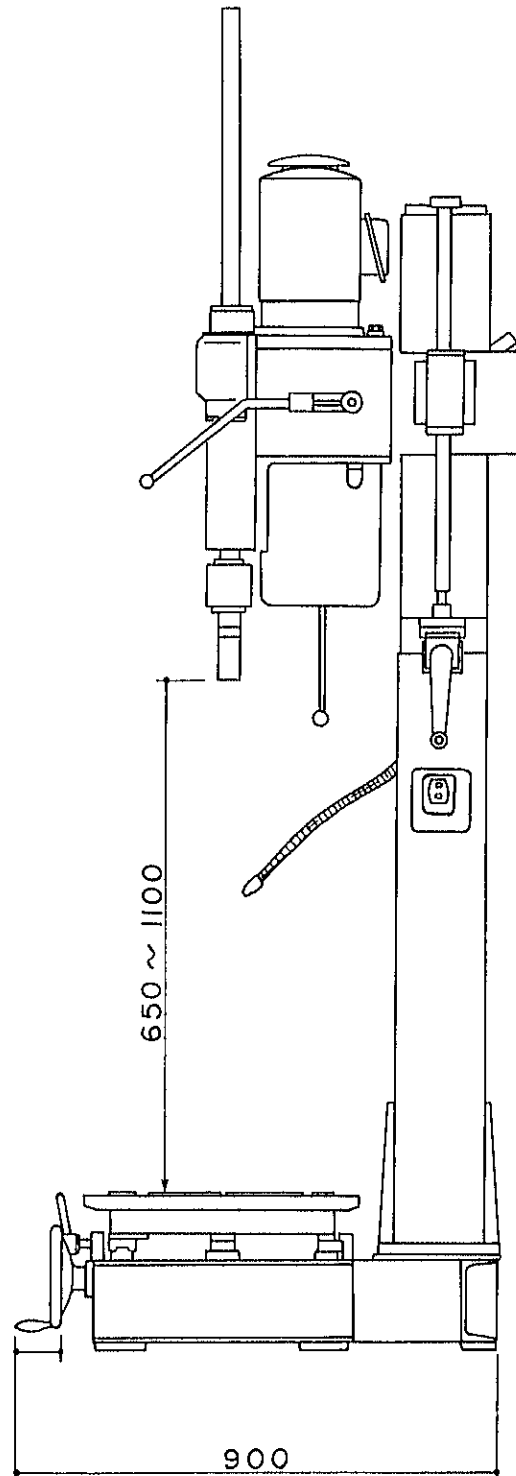
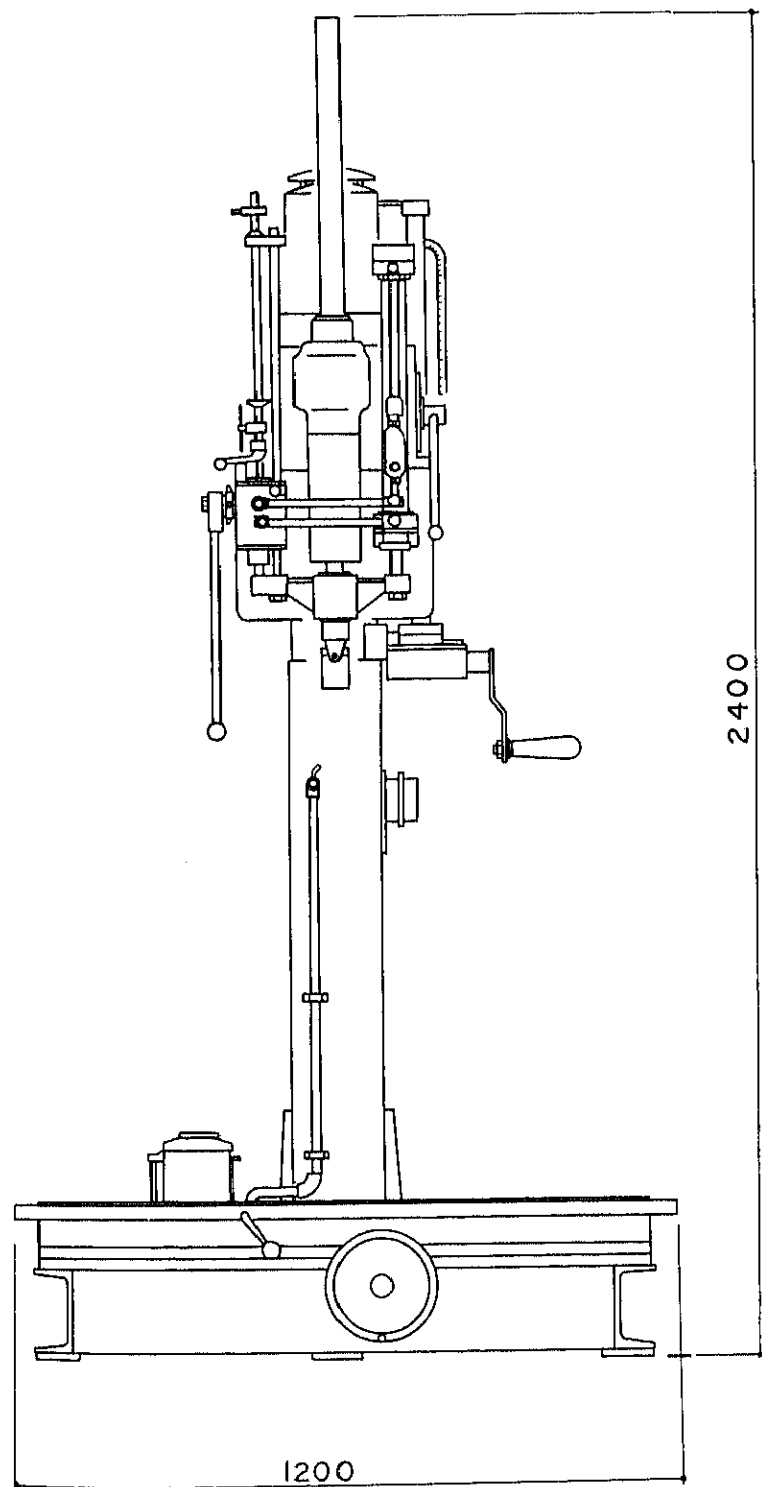
Item No. 3-1/2

Name Cylinder Honing Machine

Type MS-902



CONSTRUCTION PROJECT OF		DATE
AUTOMOBILE REPAIR & MAINTENANCE WORKSHOP IN BANGLADESH		SCALE
TITLE OF DRAWING		ORG. NO.
JAPAN INTERNATIONAL COOPERATION AGENCY		



---1-1-9---

Item NO. 3-2/2

Name Cylinder Honing Machine

Type MS-902

CONSTRUCTION PROJECT OF AUTOMOBILE REPAIR & MAINTENANCE WORKSHOP IN BANGLADESH		DATE
		SCALE
TITLE OF DRAWING CYLINDER HONING MACHINE		DRG. NO G —004
JAPAN INTERNATIONAL COOPERATION AGENCY		

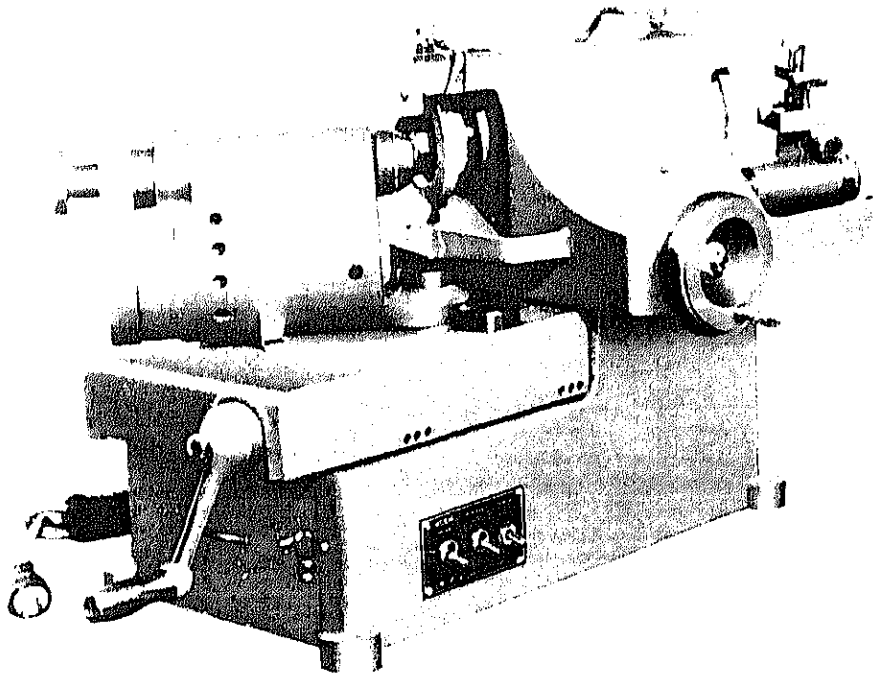


1-1-9

Item No. 4

Name Valve Refacer

Type MB-145



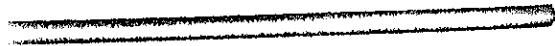
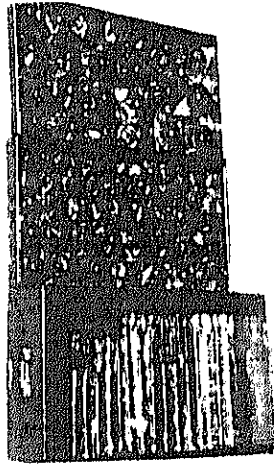
CONSTRUCTION PROJECT OF AUTOMOBILE REPAIR & MAINTENANCE WORKSHOP IN BANGLADESH	DATE
	SCALE
TITLE OF DRAWING	DRG. NO. —
JAPAN INTERNATIONAL COOPERATION AGENCY	

---1-1-9---

Item No. 5

Name Valve Seat Cutter Set

Type R-2500



15°



30°



45°



75°

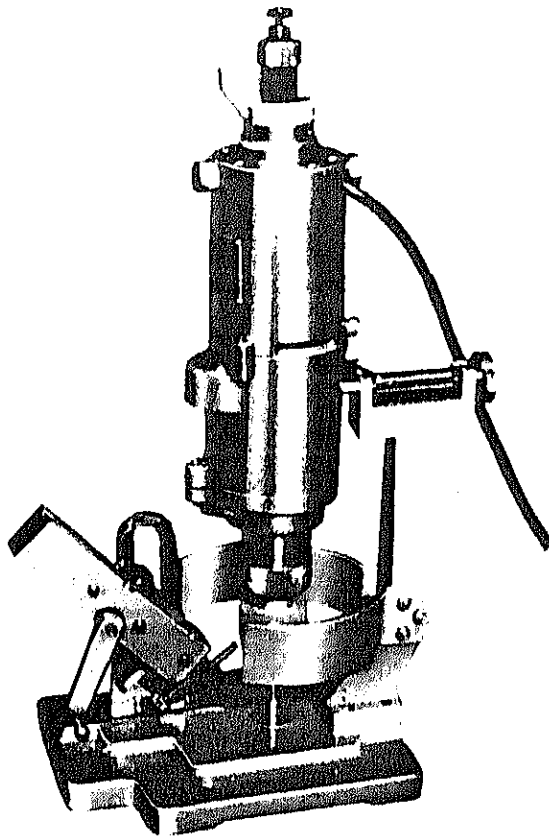
CONSTRUCTION PROJECT OF		DATE
AUTOMOBILE REPAIR & MAINTENANCE WORKSHOP IN BANGLADESH		SCALE
TITLE OF DRAWING		DRG. NO.
JAPAN INTERNATIONAL COOPERATION AGENCY		

1-1-9

Item No. 6

Name Valve Seat Grinder,  
Eccentric Type

Type EC-160



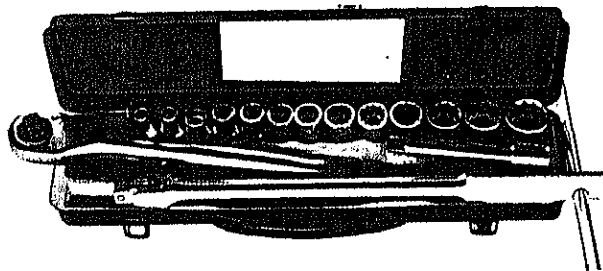
CONSTRUCTION PROJECT OF		DATE
AUTOMOBILE REPAIR & MAINTENANCE WORKSHOP IN BANGLADESH		SCALE
TITLE OF DRAWING		ORG. NO.
JAPAN INTERNATIONAL COOPERATION AGENCY		—

1-1-9

Item No. 10

Name Socket Wrench Set

Type No.30



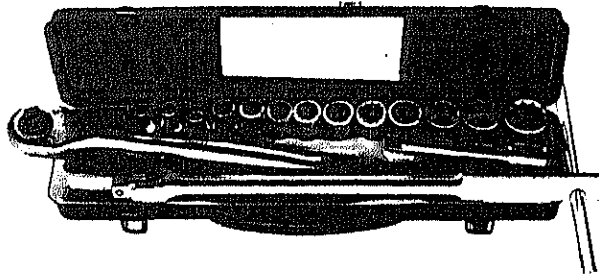
CONSTRUCTION PROJECT OF AUTOMOBILE REPAIR & MAINTENANCE WORKSHOP IN BANGLADESH	DATE
	SCALE
TITLE OF DRAWING	ORG. NO. —
JAPAN INTERNATIONAL COOPERATION AGENCY	

1-1-9

Item No. 11

Name Socket Wrench Set

Type No. 33S



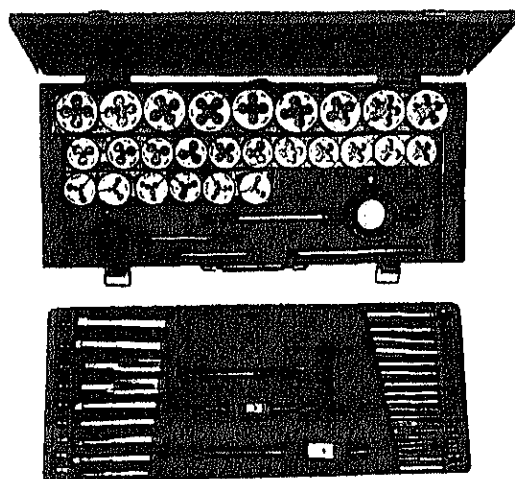
CONSTRUCTION PROJECT OF AUTOMOBILE REPAIR & MAINTENANCE WORKSHOP IN BANGLADESH	DATE
	SCALE
TITLE OF DRAWING	ORG. NO. —
JAPAN INTERNATIONAL COOPERATION AGENCY	

1-1-9

Item No. 12

Name Srew-Tap & Dies Set

Type M-320



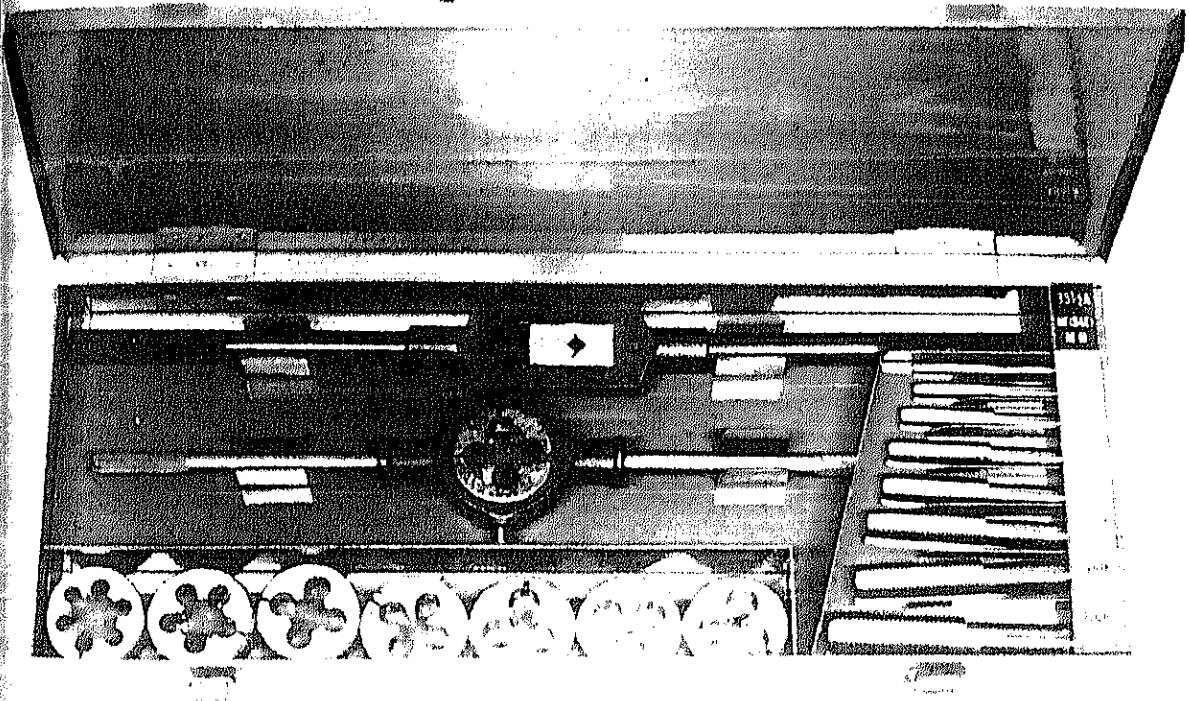
CONSTRUCTION PROJECT OF AUTOMOBILE REPAIR & MAINTENANCE WORKSHOP IN BANGLADESH	DATE
	SCALE
TITLE OF DRAWING	ORG. NO. —
JAPAN INTERNATIONAL COOPERATION AGENCY	

1-1-9

Item No. 13

Name Screw-Tap & Dies Set

Type I-412



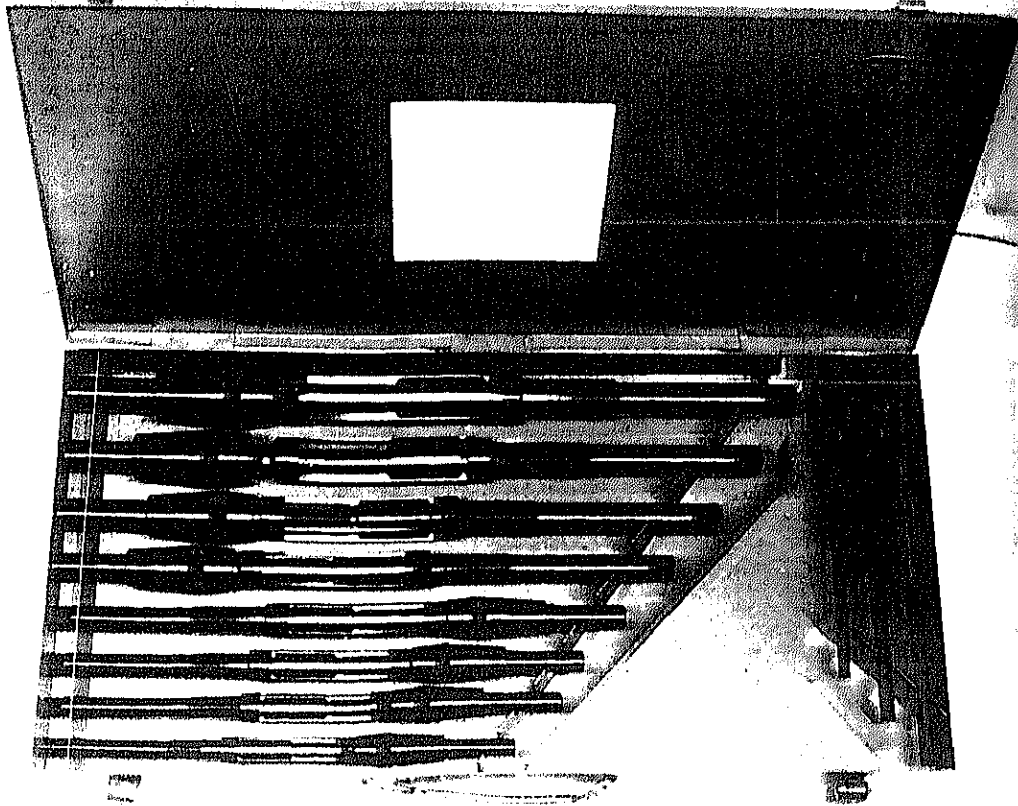
CONSTRUCTION PROJECT OF		DATE
AUTOMOBILE REPAIR & MAINTENANCE WORKSHOP IN BANGLADESH		SCALE
TITLE OF DRAWING		ORG. NO. —
JAPAN INTERNATIONAL COOPERATION AGENCY		

---1-1-9---

Item No. 14

Name Adjustable Reamer Set

Type PL-44



CONSTRUCTION PROJECT OF AUTOMOBILE REPAIR & MAINTENANCE WORKSHOP IN BANGLADESH	DATE
	SCALE
TITLE OF DRAWING	ORG. NO. —
JAPAN INTERNATIONAL COOPERATION AGENCY	

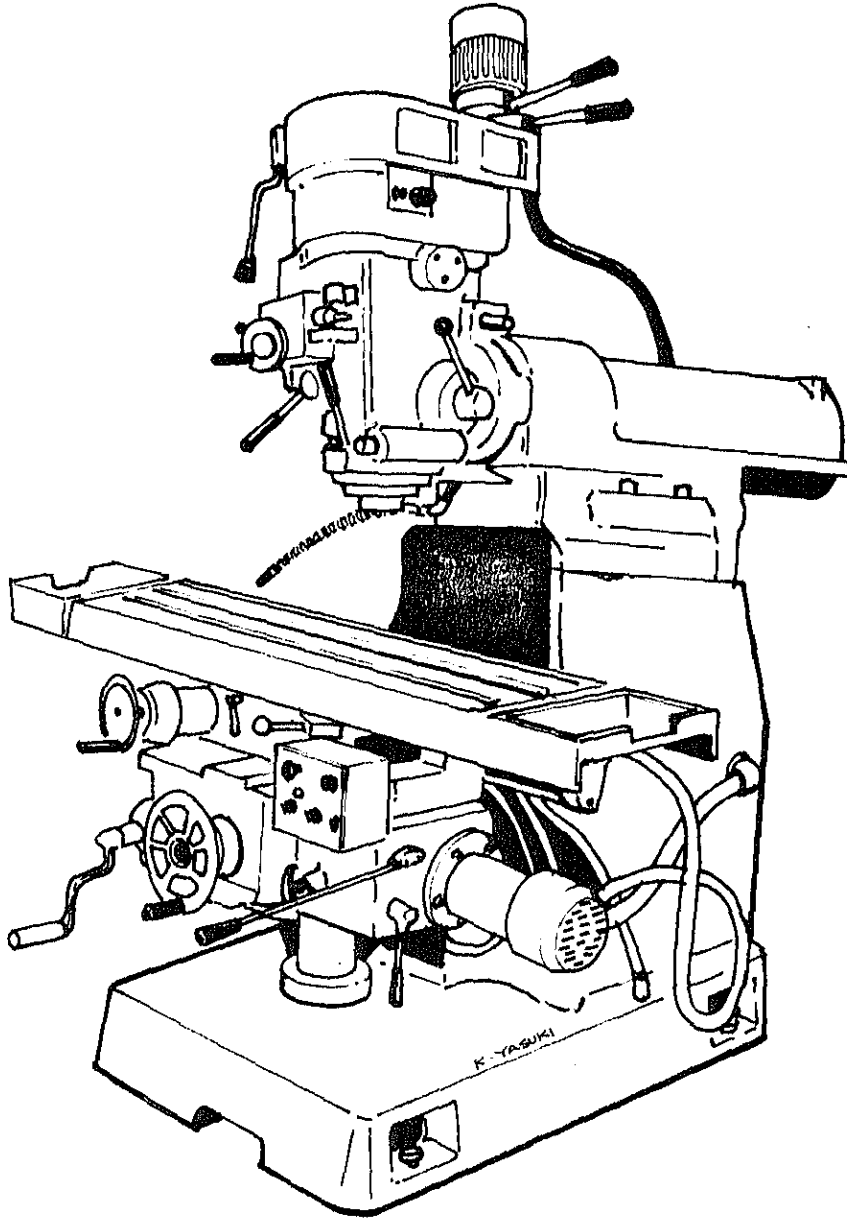


1-1-9

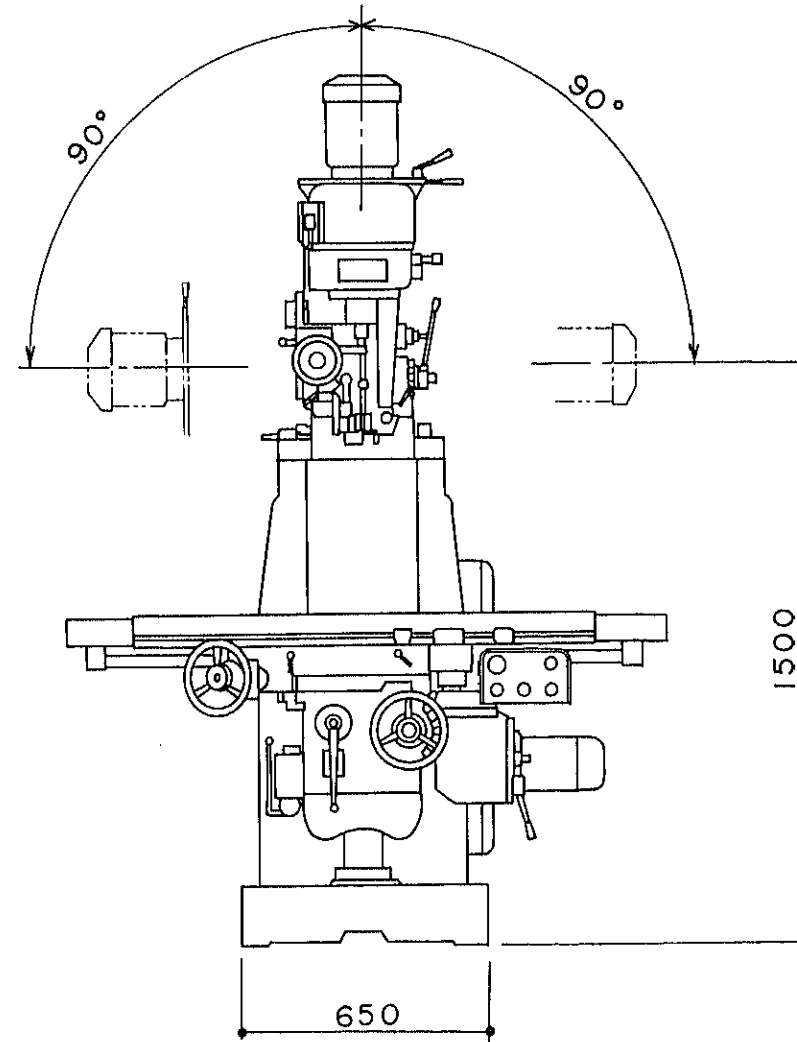
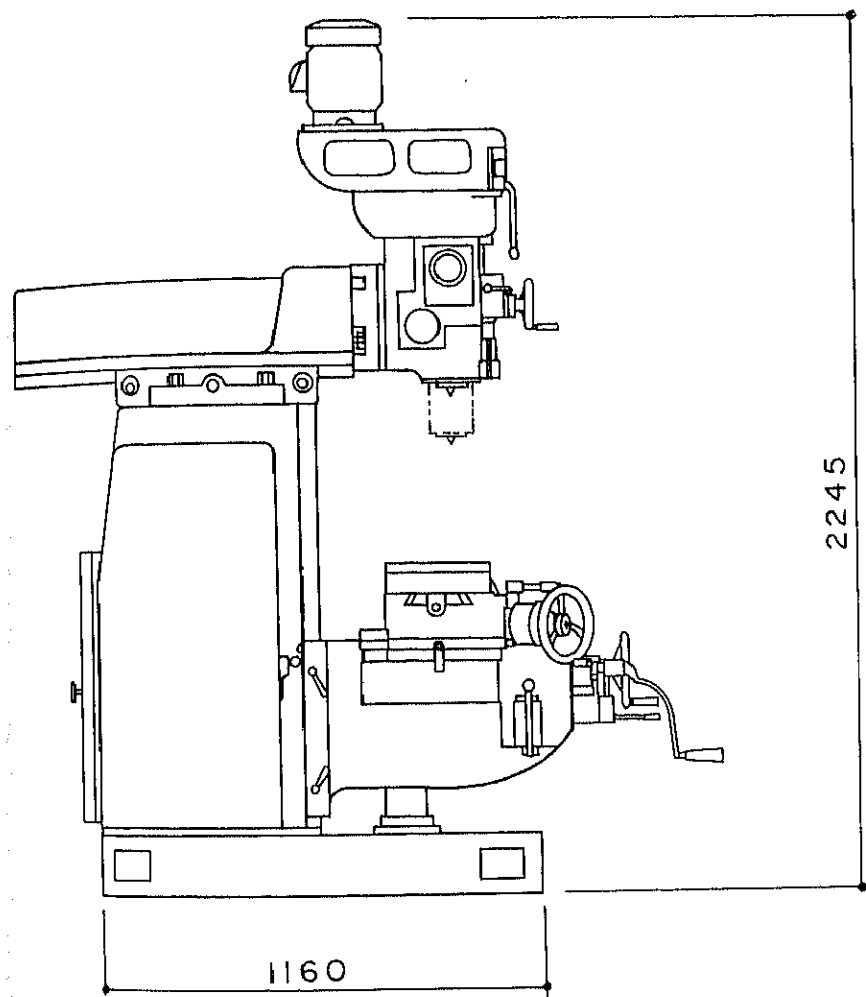
Item No. 15-1/2

Name Combination Milling Machine

Type FX-300



CONSTRUCTION PROJECT OF	DATE
AUTOMOBILE REPAIR & MAINTENANCE WORKSHOP IN BANGLADESH	SCALE
TITLE OF DRAWING	ORG. NO.
	—
JAPAN INTERNATIONAL COOPERATION AGENCY	



---1-1-9---

Item NO. 15-2/2

Name Combination Milling Machine

Type FX-800

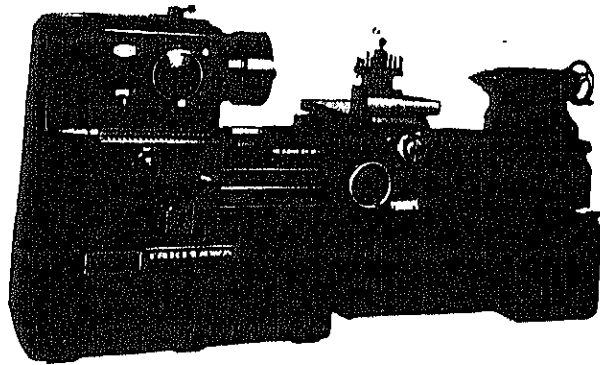
CONSTRUCTION PROJECT OF AUTOMOBILE REPAIR & MAINTENANCE WORKSHOP IN BANGLADESH		DATE
TITLE OF DRAWING  COMBINATION MILLING MACHINE		SCALE
		DRG. NO.  G-005
JAPAN INTERNATIONAL COOPERATION AGENCY		

1-1-9

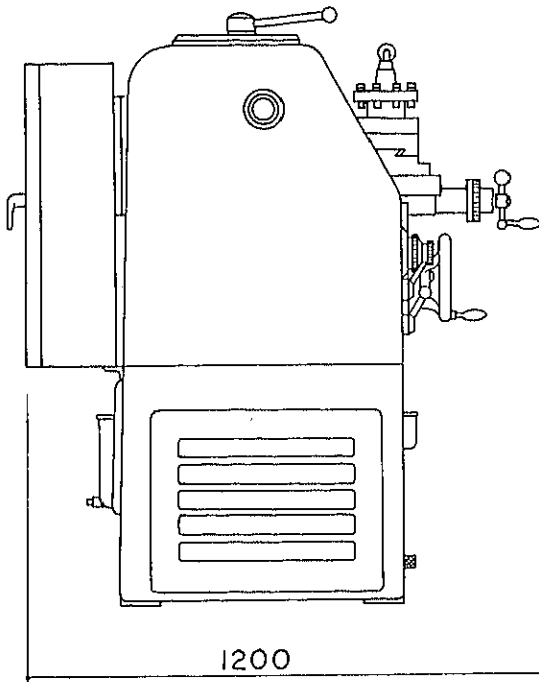
Item No.            16-1/2

Name                Lathe

Type                TAL510 x 2000



CONSTRUCTION PROJECT OF AUTOMOBILE REPAIR & MAINTENANCE WORKSHOP IN BANGLADESH	DATE
	SCALE
TITLE OF DRAWING	DRG. NO. —
JAPAN INTERNATIONAL COOPERATION AGENCY	

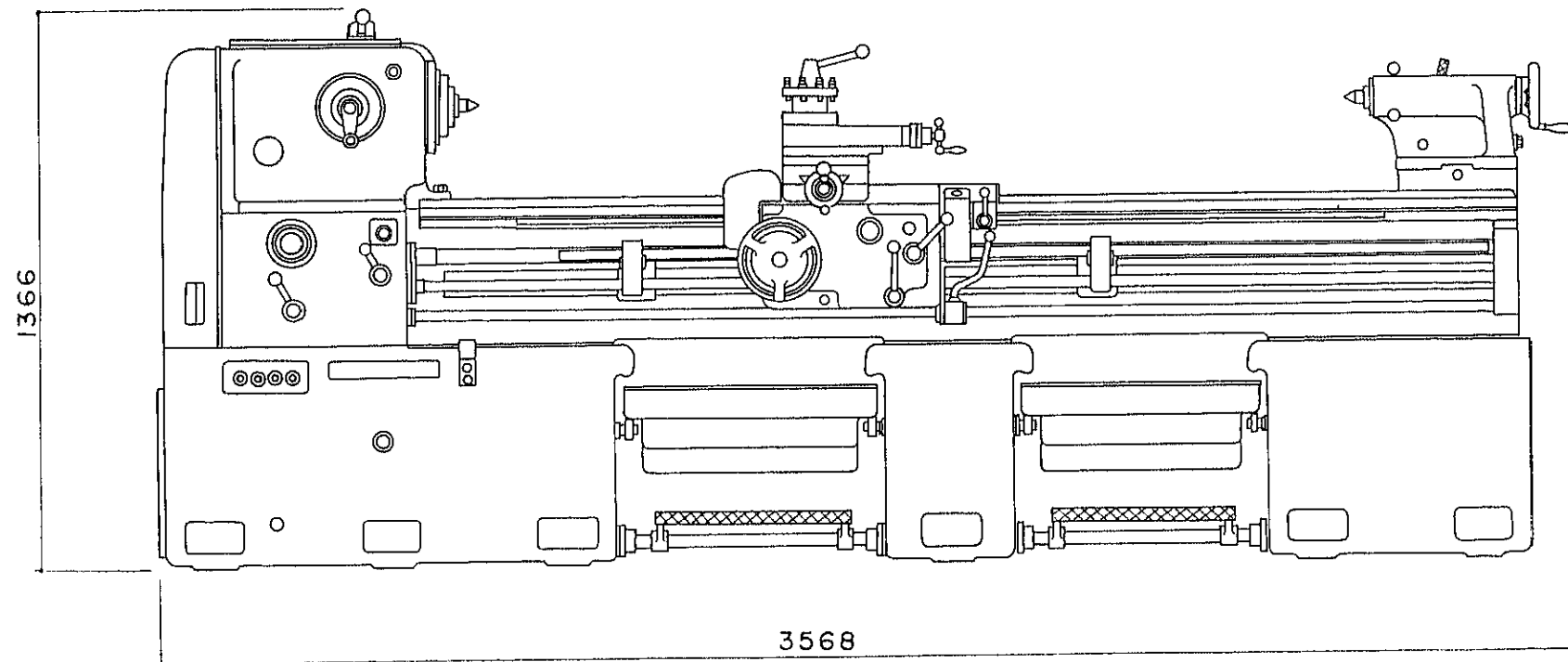


---1-1-9---

Item NO. 16-2/2

Name Lathe

Type TAL510 x 2000



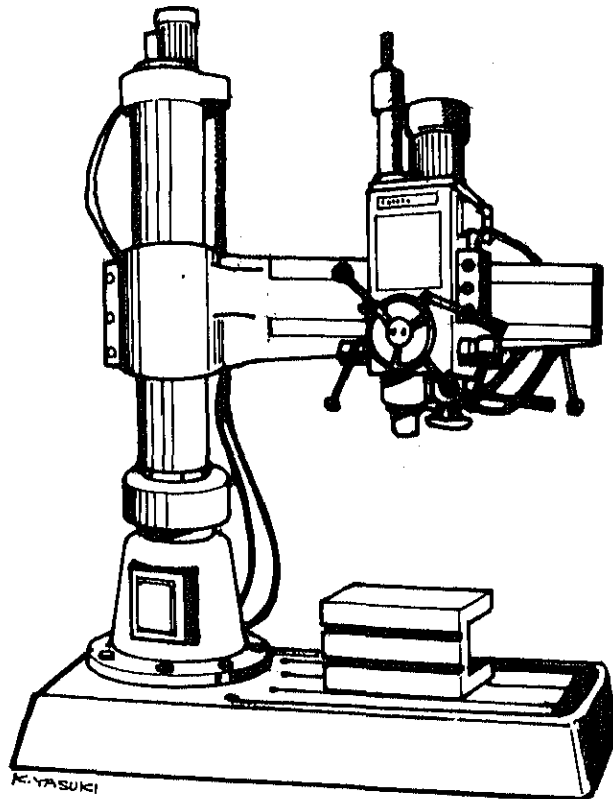
CONSTRUCTION PROJECT OF AUTOMOBILE REPAIR & MAINTENANCE WORKSHOP IN BANGLADESH		DATE
		SCALE
TITLE OF DRAWING  GENERAL LATHE		DRG. NO  G-006
JAPAN INTERNATIONAL COOPERATION AGENCY		

1-1-9

Item No. 17

Name Radial Drilling Machine

Type HOR-1100



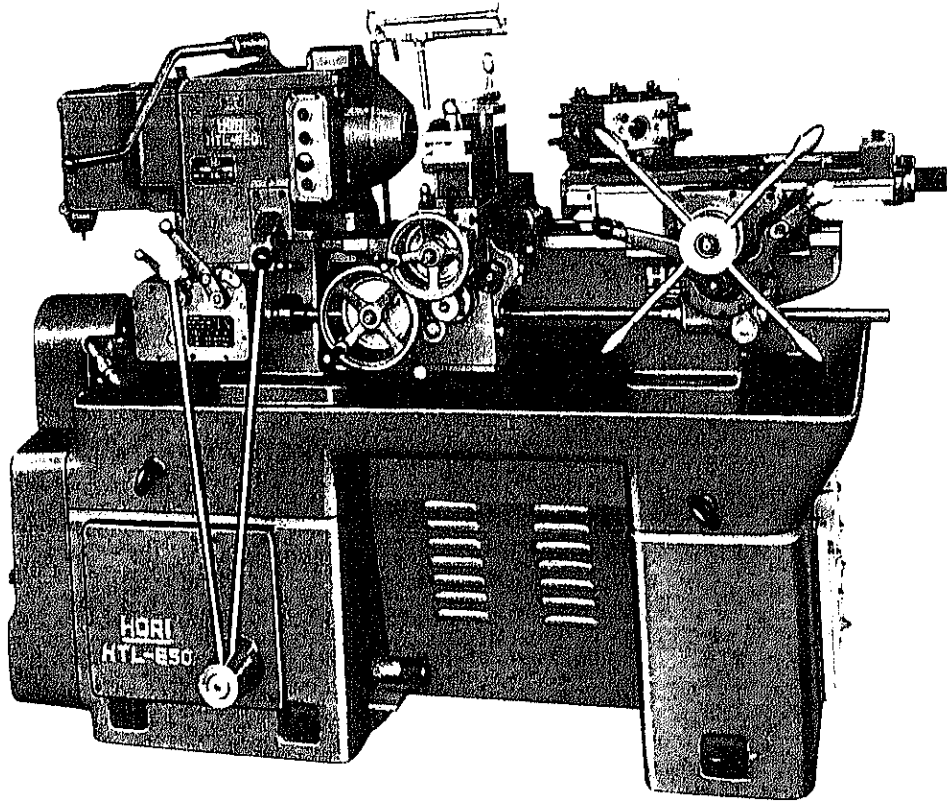
CONSTRUCTION PROJECT OF AUTOMOBILE REPAIR & MAINTENANCE WORKSHOP IN BANGLADESH		DATE
TITLE OF DRAWING		SCALE
		ORG. NO. —
JAPAN INTERNATIONAL COOPERATION AGENCY		

1-1-9

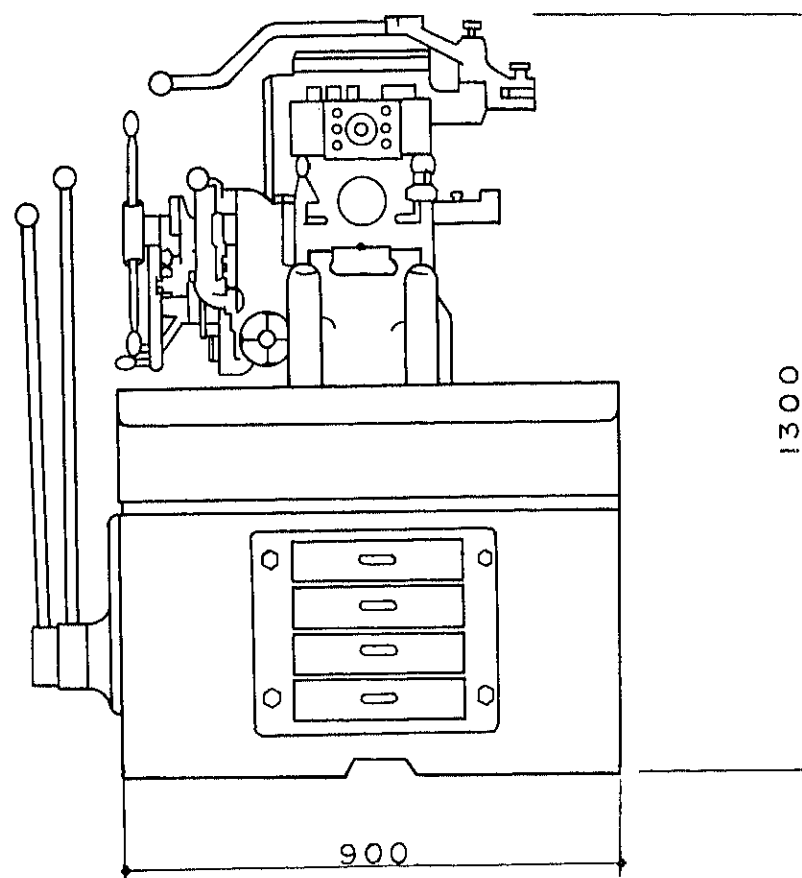
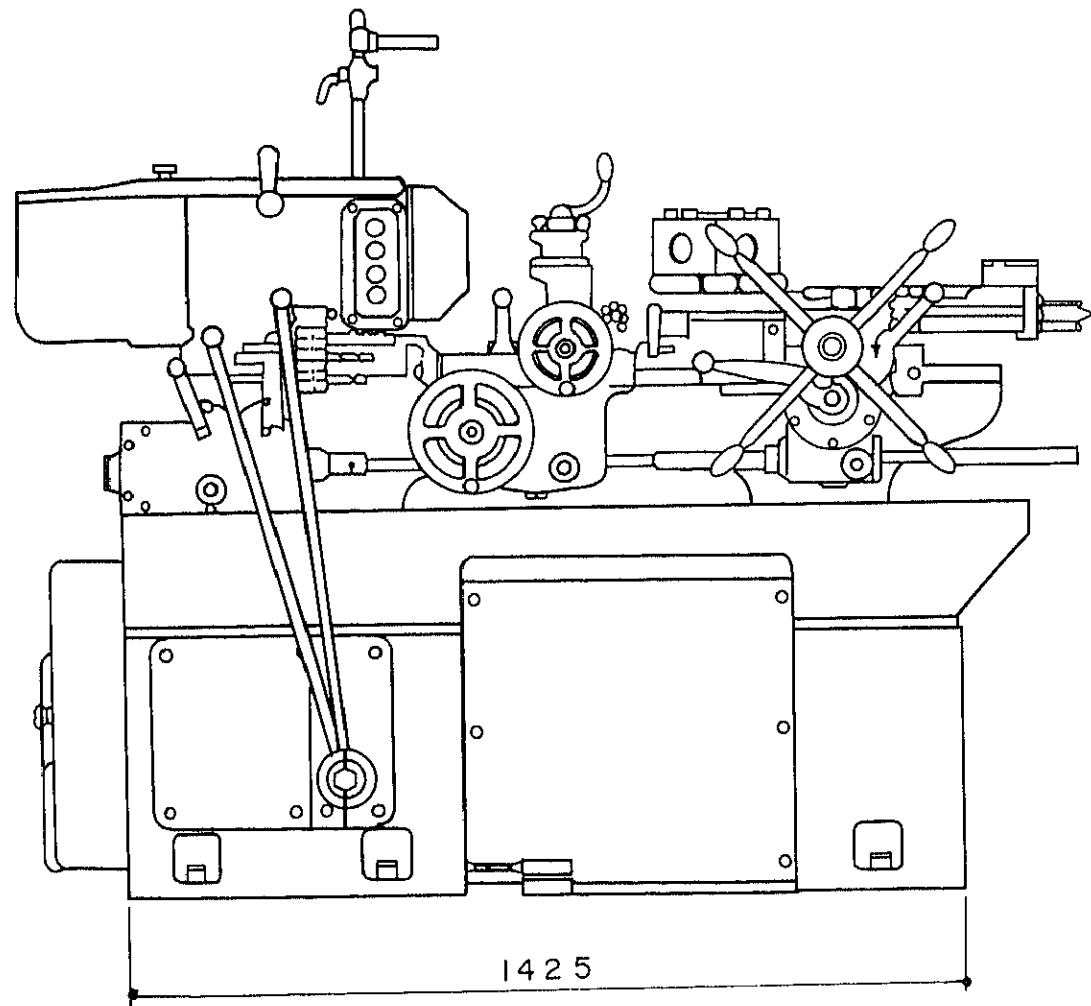
Item No. 18-1/2

Name Turret Lathe

Type HTL-50E



CONSTRUCTION PROJECT OF		DATE
AUTOMOBILE REPAIR & MAINTENANCE WORKSHOP IN BANGLADESH		SCALE
TITLE OF DRAWING		ORG. NO.
		—
JAPAN INTERNATIONAL COOPERATION AGENCY		



---1-1-9---  
 Item NO. 13-2/2  
 Name Turret Lathe  
 Type HTL-50E

CONSTRUCTION PROJECT OF AUTOMOBILE REPAIR & MAINTENANCE WORKSHOP IN BANGLADESH		DATE
		SCALE
TITLE OF DRAWING TURRET LATHE		DR G. NO G - 007
JAPAN INTERNATIONAL COOPERATION AGENCY		

1-1-9

Item No. 19-1/2

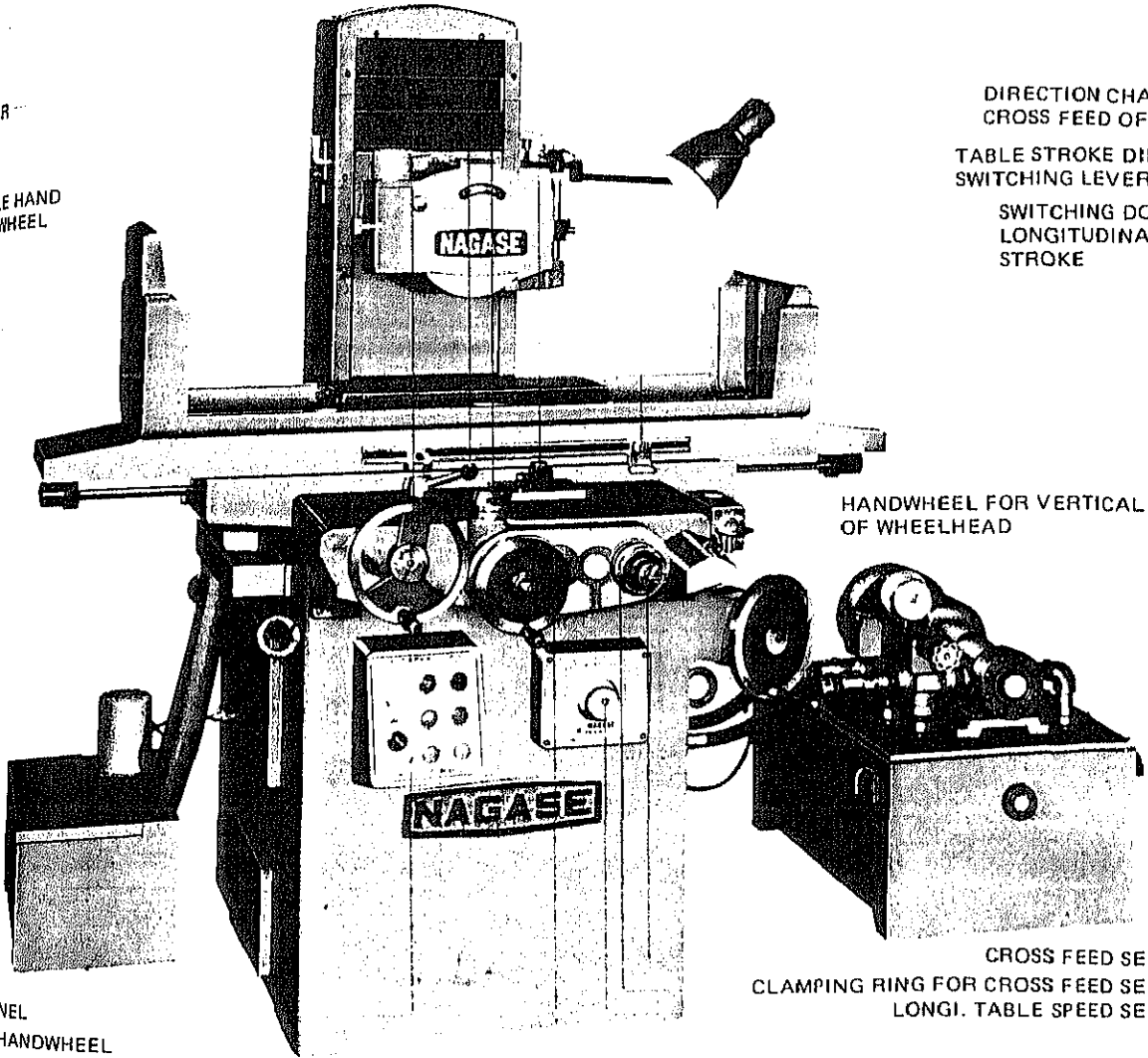
Name Surface Grinder

Type SGW-4

SWITCH LEVER

PORTABLE HAND  
CROSS FEED WHEEL

CONTROL PANEL  
CROSS FEED HANDWHEEL



DIRECTION CHANGE OF  
CROSS FEED OF SADDLE

TABLE STROKE DIRECTION  
SWITCHING LEVER

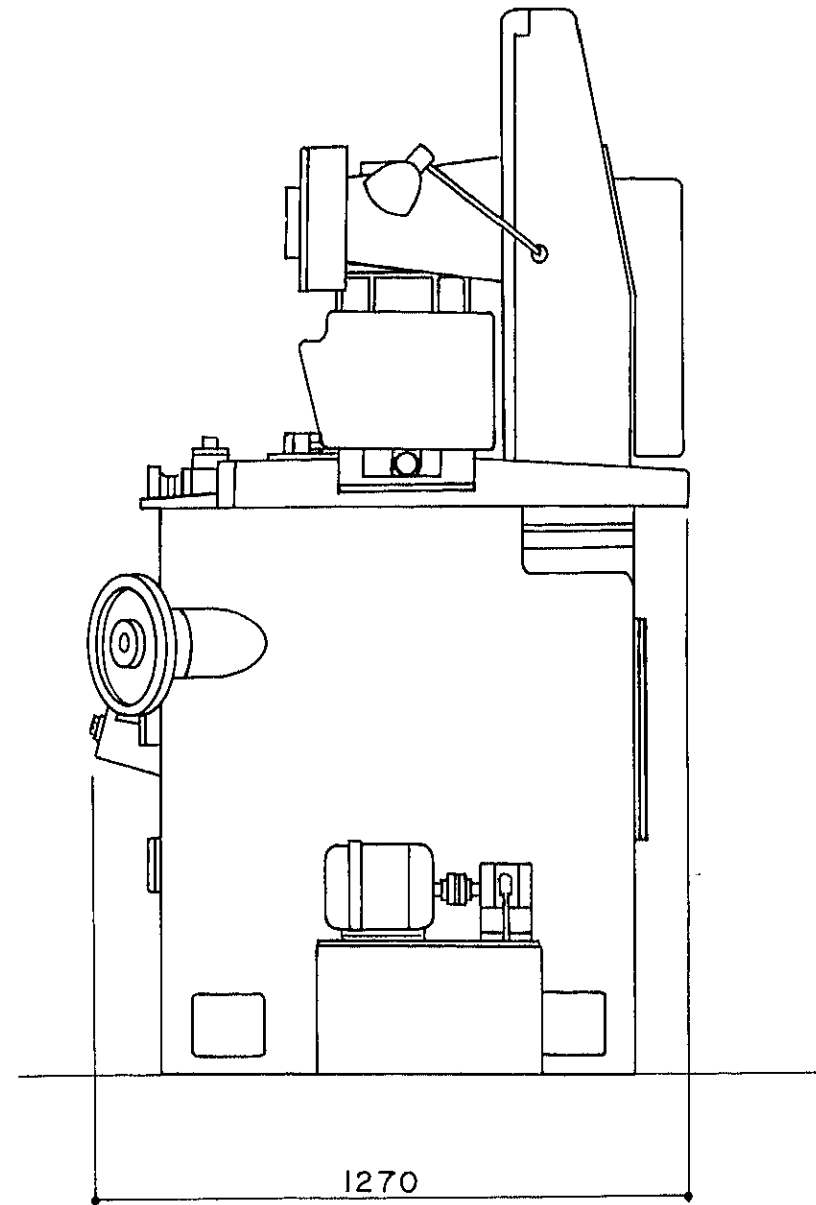
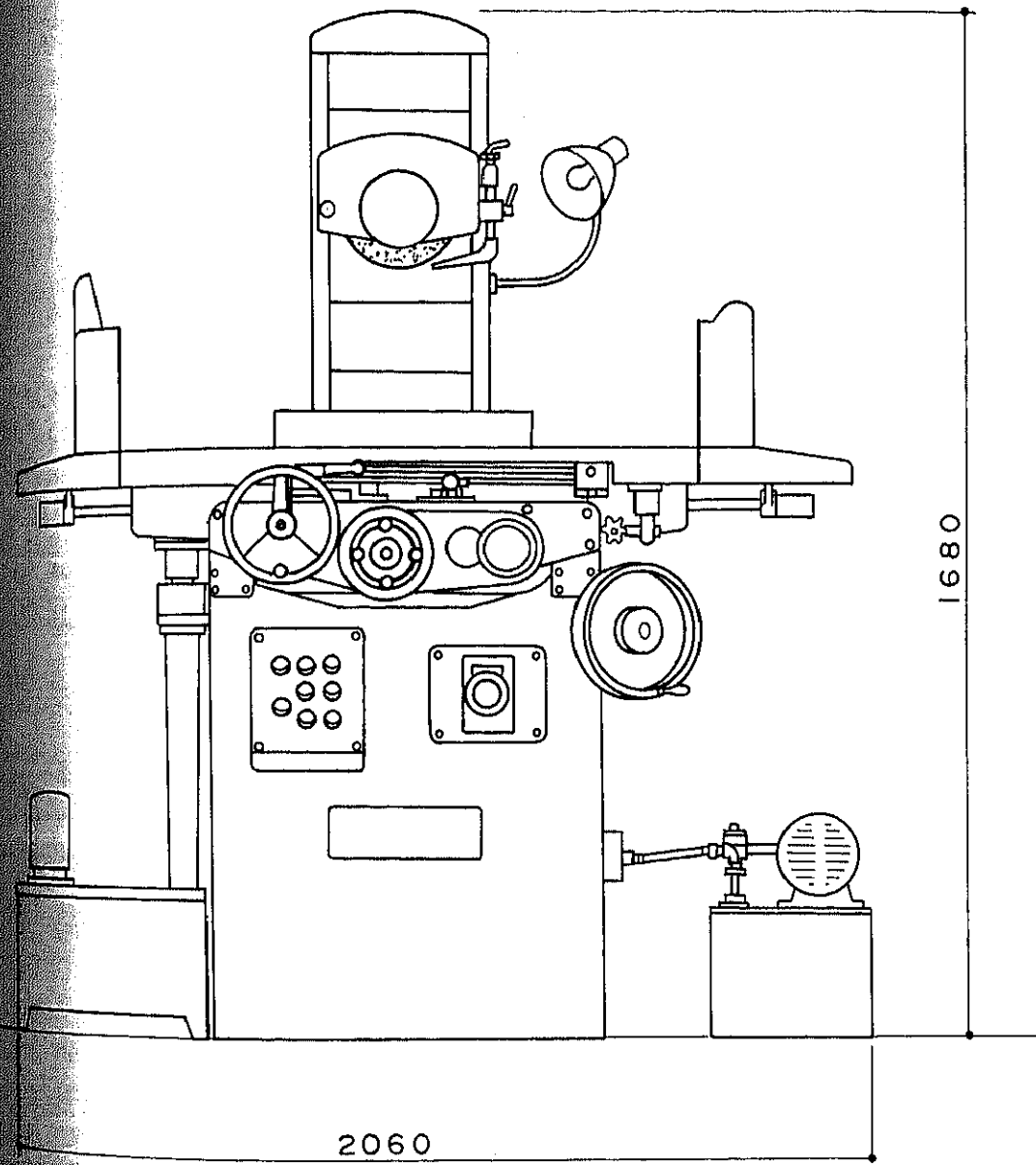
SWITCHING DOG FOR  
LONGITUDINAL TABLE  
STROKE

HANDWHEEL FOR VERTICAL TRAVEL  
OF WHEELHEAD

CROSS FEED SELECTION  
CLAMPING RING FOR CROSS FEED SELECTION  
LONGI. TABLE SPEED SELECTION

CONSTRUCTION PROJECT OF AUTOMOBILE REPAIR & MAINTENANCE WORKSHOP IN BANGLADESH	DATE
	SCALE
TITLE OF DRAWING	ORG. NO.
	—
JAPAN INTERNATIONAL COOPERATION AGENCY	





1-1-9  
 Item NO. 19-2/2  
 Name Surface Grinder  
 Type SGW-4

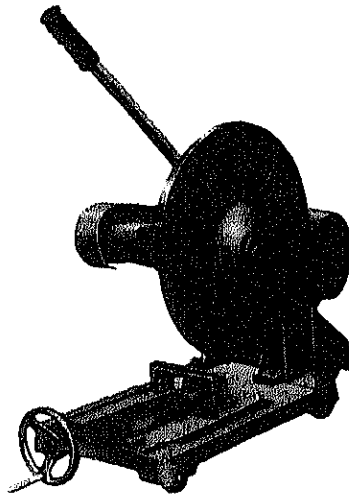
CONSTRUCTION PROJECT OF AUTOMOBILE REPAIR & MAINTENANCE WORKSHOP IN BANGLADESH		DATE
TITLE OF DRAWING  SURFACE GRINDER		SCALE
		DRG. NO  G — 008
JAPAN INTERNATIONAL COOPERATION AGENCY		

1-1-9

Item No. 20

Name Cutting Grinder

Type HCW-16M



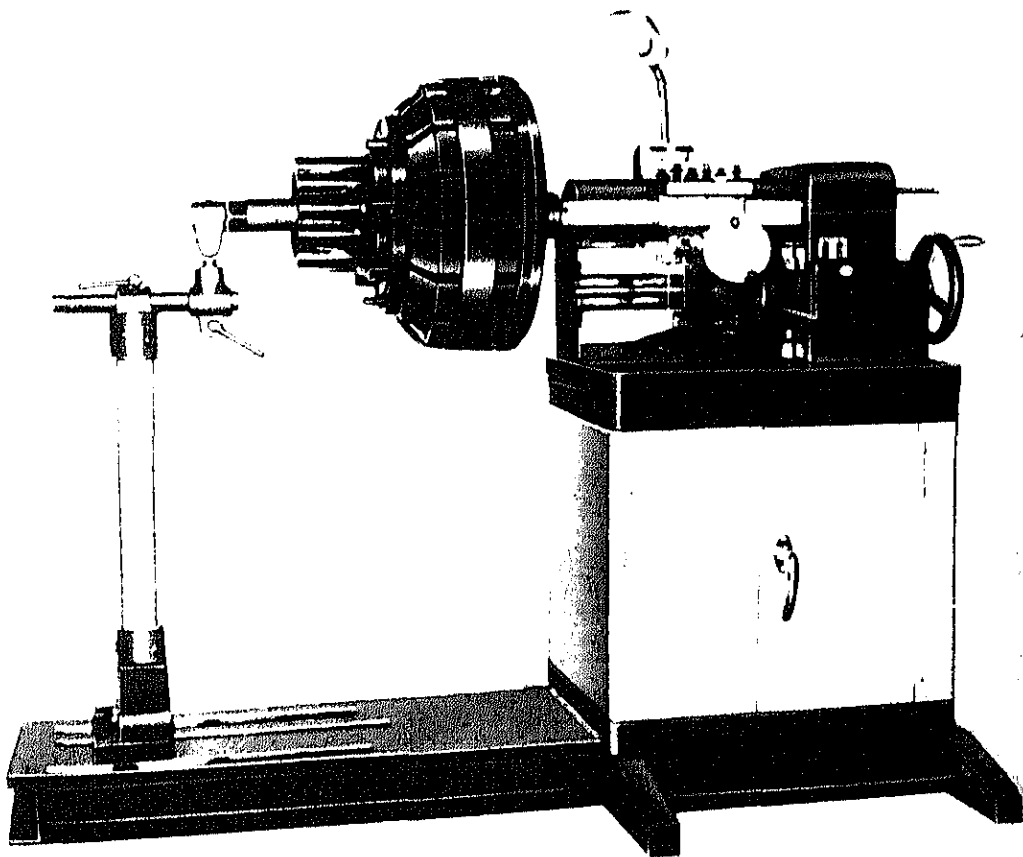
CONSTRUCTION PROJECT OF AUTOMOBILE REPAIR & MAINTENANCE WORKSHOP IN BANGLADESH	DATE
	SCALE
TITLE OF DRAWING	DRG. NO. —
JAPAN INTERNATIONAL COOPERATION AGENCY	

1-1-9

Item No. 22

Name Brake Drum Lathe

Type BDL-250N



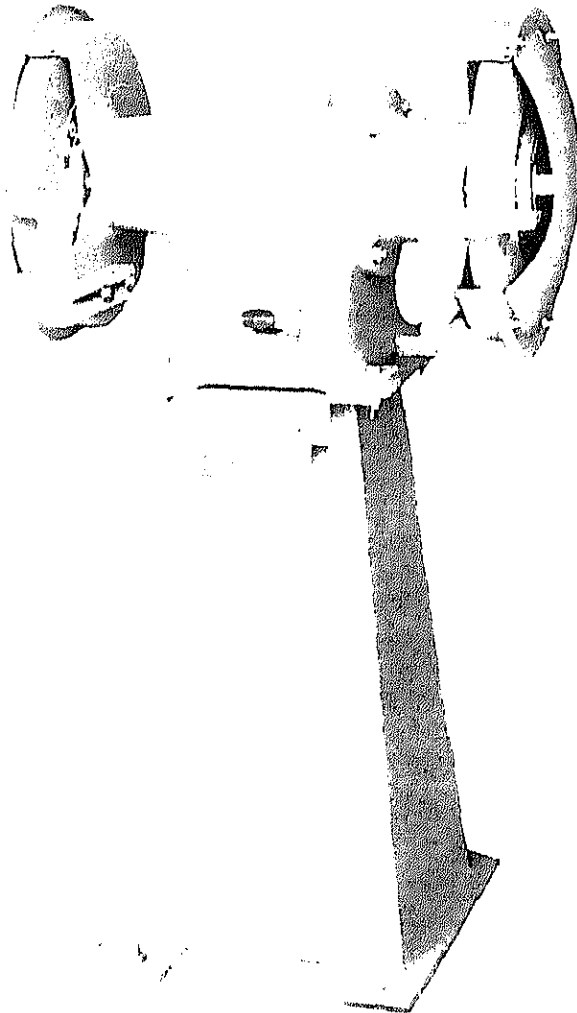
CONSTRUCTION PROJECT OF		DATE
AUTOMOBILE REPAIR & MAINTENANCE WORKSHOP IN BANGLADESH		SCALE
TITLE OF DRAWING		ORG. NO.
JAPAN INTERNATIONAL COOPERATION AGENCY		

1-1-9

Item No.            23

Name                Bench Grinder

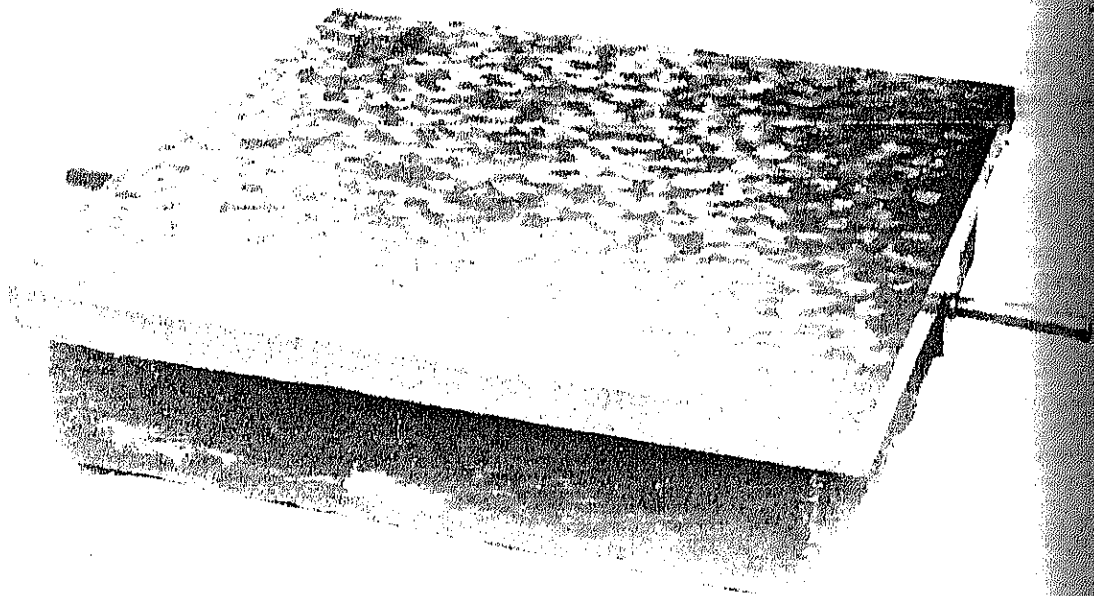
Type                SGK-T/PFK



CONSTRUCTION PROJECT OF AUTOMOBILE REPAIR & MAINTENANCE WORKSHOP IN BANGLADESH	DATE
	SCALE
TITLE OF DRAWING	ORG. NO.
	—
JAPAN INTERNATIONAL COOPERATION AGENCY	

1-1-9

<u>Item No.</u>	<u>24</u>
<u>Name</u>	<u>Surface Plate</u>
<u>Type</u>	<u>SPA-28</u>



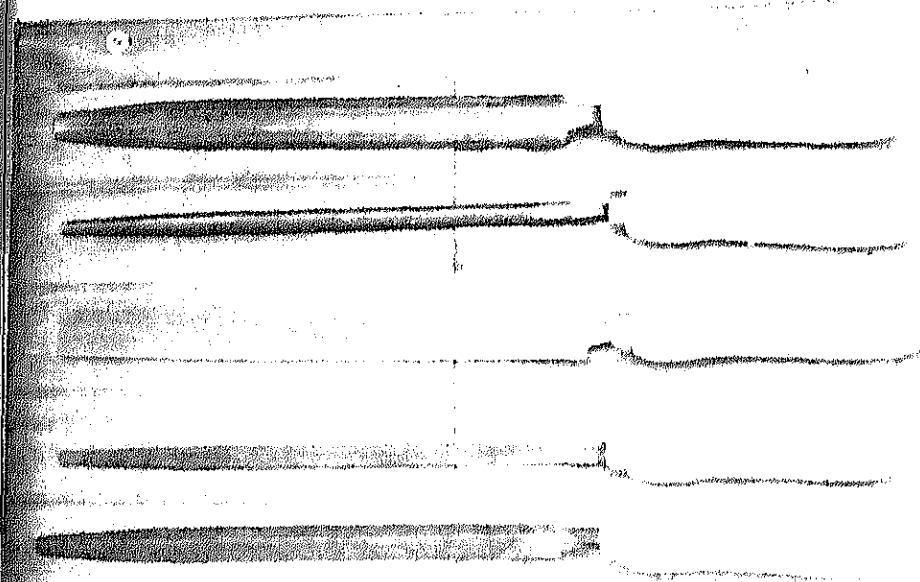
CONSTRUCTION PROJECT OF AUTOMOBILE REPAIR & MAINTENANCE WORKSHOP IN BANGLADESH	DATE
	SCALE
TITLE OF DRAWING	ORG. NO. —
JAPAN INTERNATIONAL COOPERATION AGENCY	

---1-1-9---

Item No. 26

Name Engineers File Set

Type F-300S



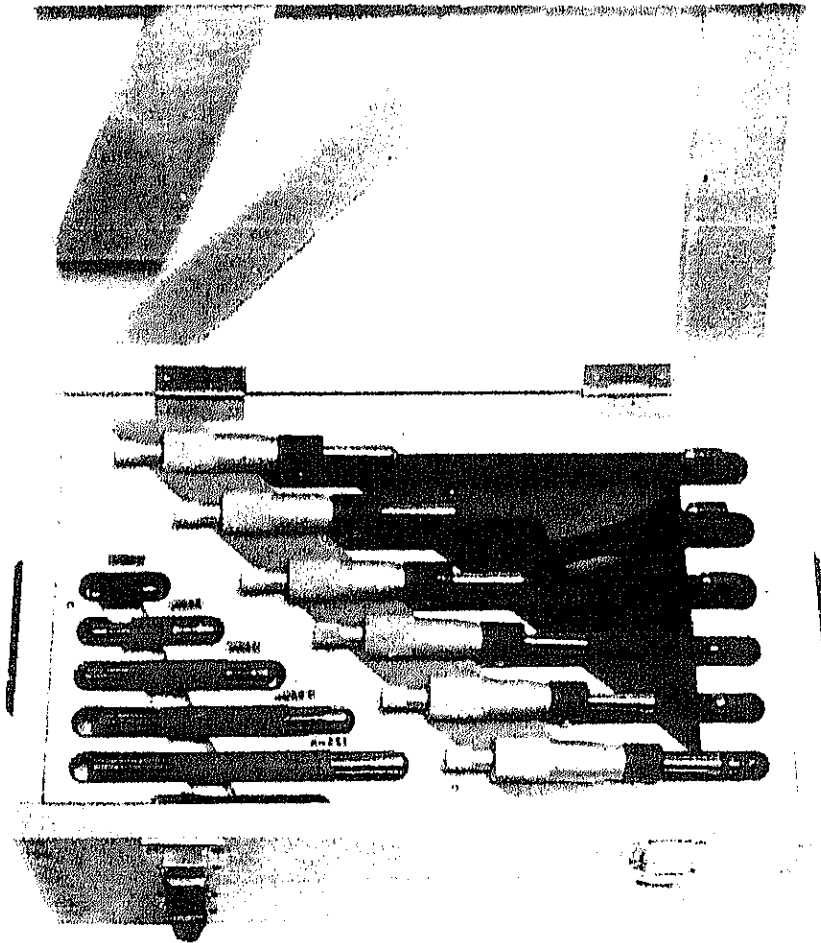
CONSTRUCTION PROJECT OF		DATE
AUTOMOBILE REPAIR & MAINTENANCE WORKSHOP IN BANGLADESH		SCALE
TITLE OF DRAWING		ORG. NO. —
JAPAN INTERNATIONAL COOPERATION AGENCY		

1-1-9

Item No. 27

Name Outside Micrometer Set

Type 1525MB



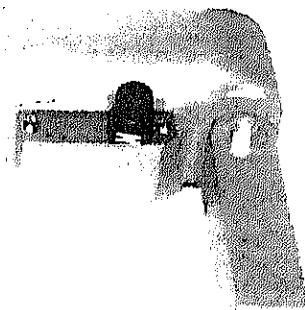
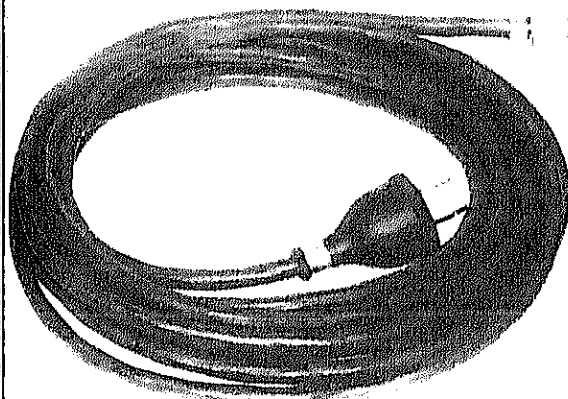
CONSTRUCTION PROJECT OF AUTOMOBILE REPAIR & MAINTENANCE WORKSHOP IN BANGLADESH	DATE
	SCALE
TITLE OF DRAWING	ORG. NO. —
JAPAN INTERNATIONAL COOPERATION AGENCY	

---1-1-9---

Item No. 28

Name Magnetic Flaw Detector

Type MP-1



CONSTRUCTION PROJECT OF		DATE
AUTOMOBILE REPAIR & MAINTENANCE WORKSHOP IN BANGLADESH		SCALE
TITLE OF DRAWING		ORG. NO.
		—
JAPAN INTERNATIONAL COOPERATION AGENCY		

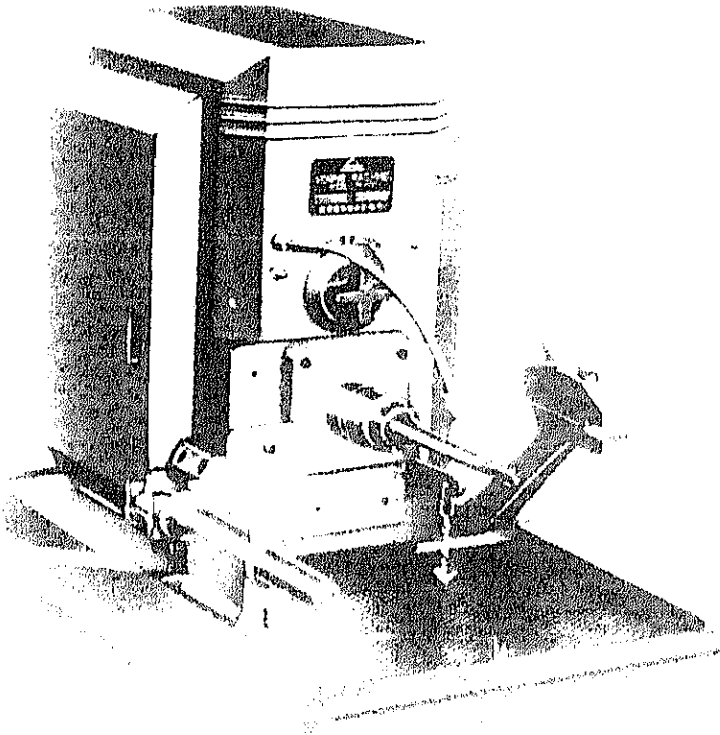


1-1-9

Item No. 29

Name Pin Hole Honing Machine

Type PH-No.1D



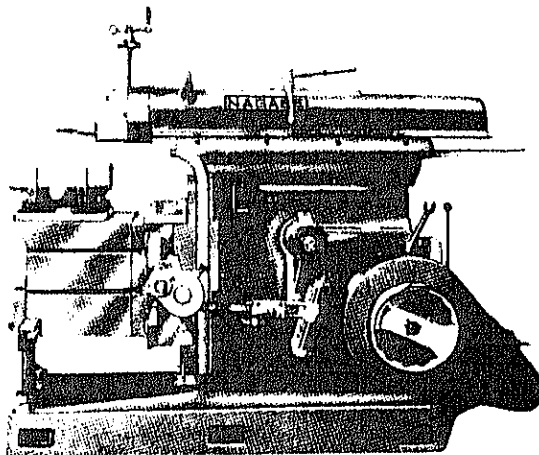
CONSTRUCTION PROJECT OF AUTOMOBILE REPAIR & MAINTENANCE WORKSHOP IN BANGLADESH	DATE
	SCALE
TITLE OF DRAWING	ORG. NO. —
JAPAN INTERNATIONAL COOPERATION AGENCY	

1-1-9

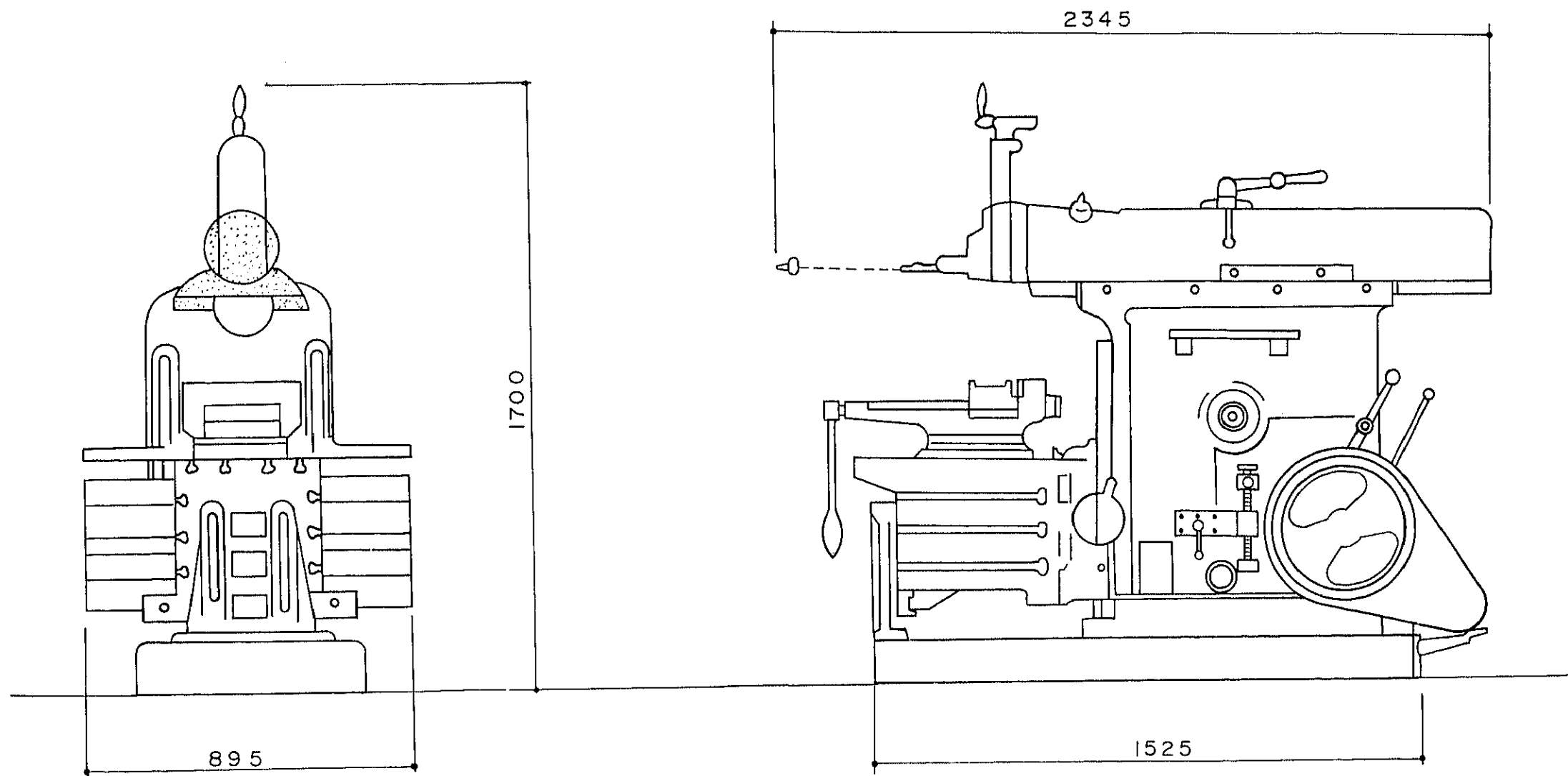
Item No.            30-1/2

Name                Shaping Machine

Type                NS-700



CONSTRUCTION PROJECT OF AUTOMOBILE REPAIR & MAINTENANCE WORKSHOP IN BANGLADESH	DATE
	SCALE
TITLE OF DRAWING	ORG. NO. —
JAPAN INTERNATIONAL COOPERATION AGENCY	



1-1-9  
 Item NO. 30-2/2  
 Name Shaping Machine  
 Type NS-700

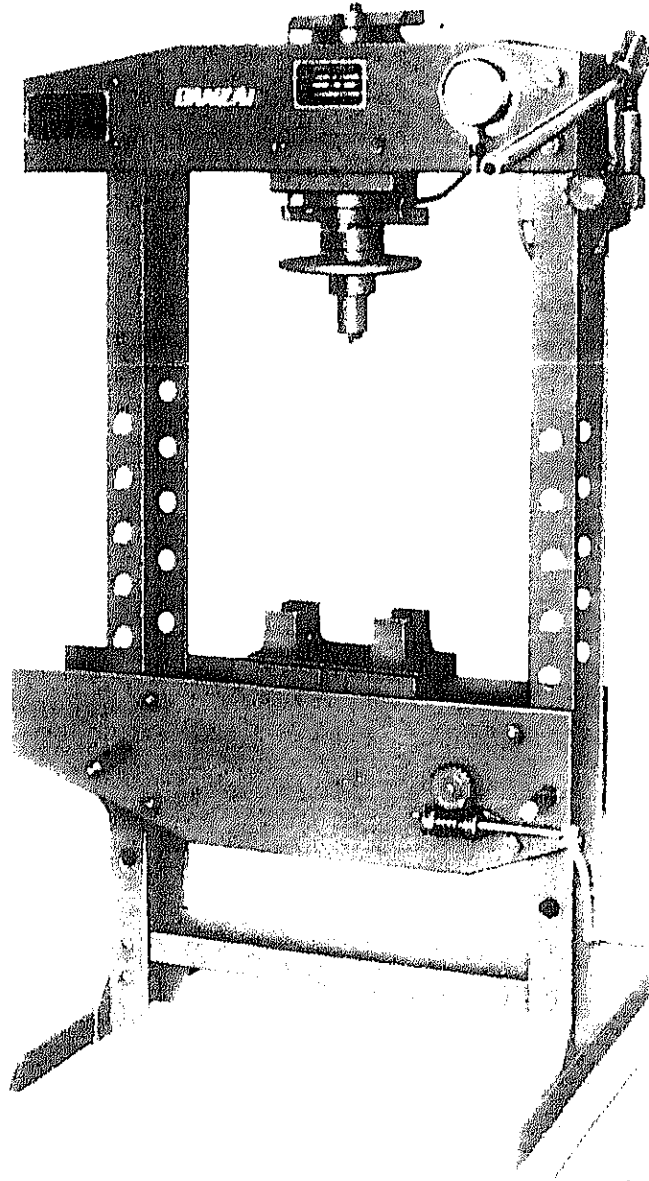
CONSTRUCTION PROJECT OF AUTOMOBILE REPAIR & MAINTENANCE WORKSHOP IN BANGLADESH		DATE
TITLE OF DRAWING  SHAPING MACHINE		SCALE
JAPAN INTERNATIONAL COOPERATION AGENCY		DRG. NO G-009

1-1-9

Item No. 33

Name Hydraulic Press

Type HP-50E



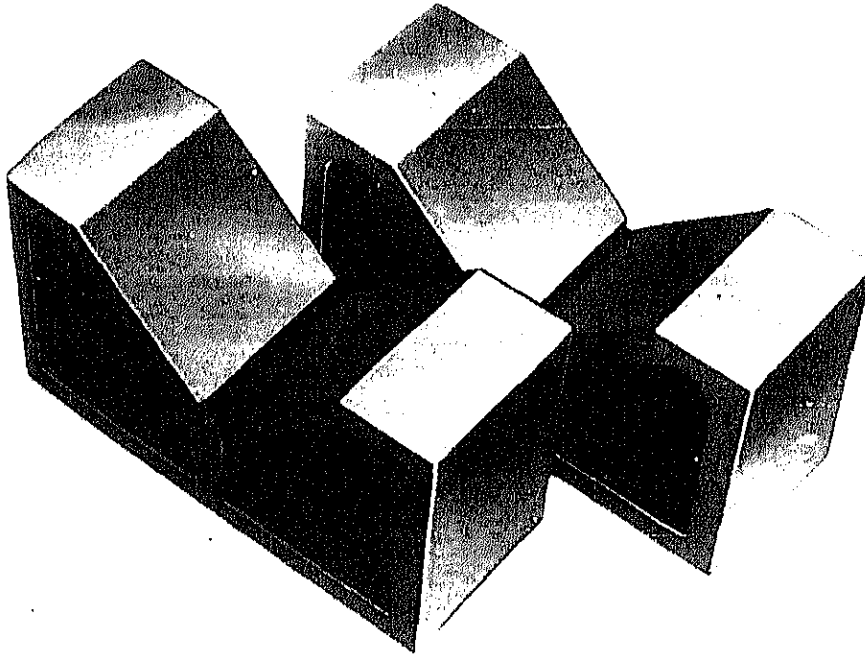
CONSTRUCTION PROJECT OF AUTOMOBILE REPAIR & MAINTENANCE WORKSHOP IN BANGLADESH		DATE
TITLE OF DRAWING		SCALE
		ORG NO. —
JAPAN INTERNATIONAL COOPERATION AGENCY		

1-1-9

Item No. 36

Name V Block

Type B-100B



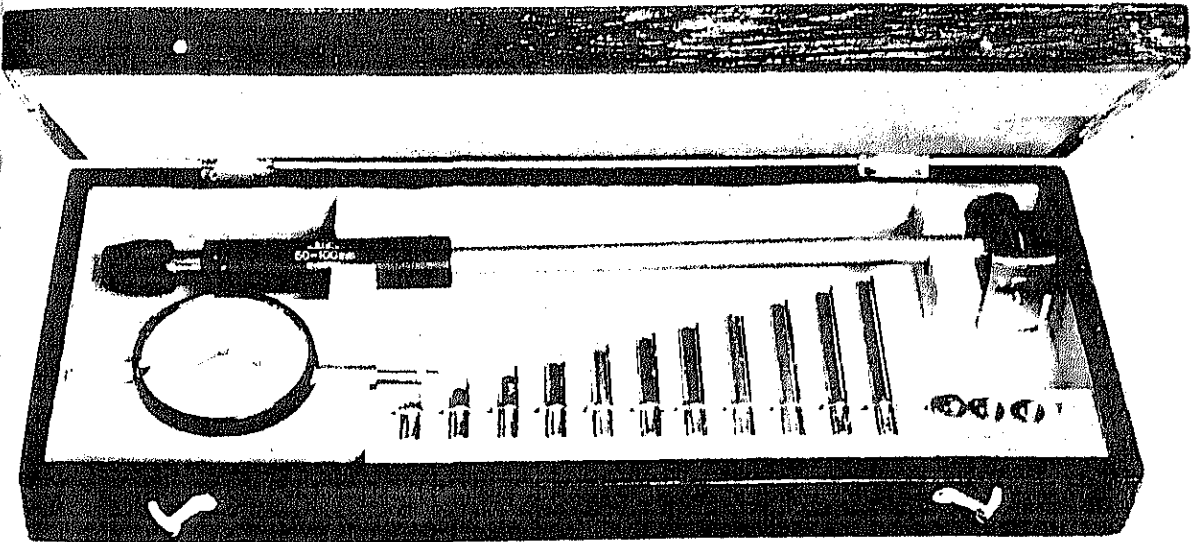
CONSTRUCTION PROJECT OF AUTOMOBILE REPAIR & MAINTENANCE WORKSHOP IN BANGLADESH	DATE
	SCALE
TITLE OF DRAWING	ORG. NO. —
JAPAN INTERNATIONAL COOPERATION AGENCY	

---1-1-9---

Item No. 38

Name Cylinder Gauge Set

Type BC-58



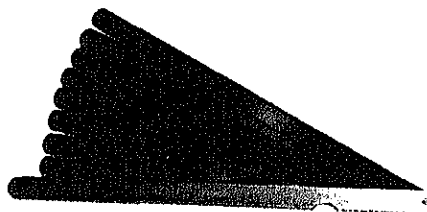
CONSTRUCTION PROJECT OF AUTOMOBILE REPAIR & MAINTENANCE WORKSHOP IN BANGLADESH	DATE
	SCALE
TITLE OF DRAWING	ORG. NO. —
JAPAN INTERNATIONAL COOPERATION AGENCY	

---1-1-9---

Item No. 39

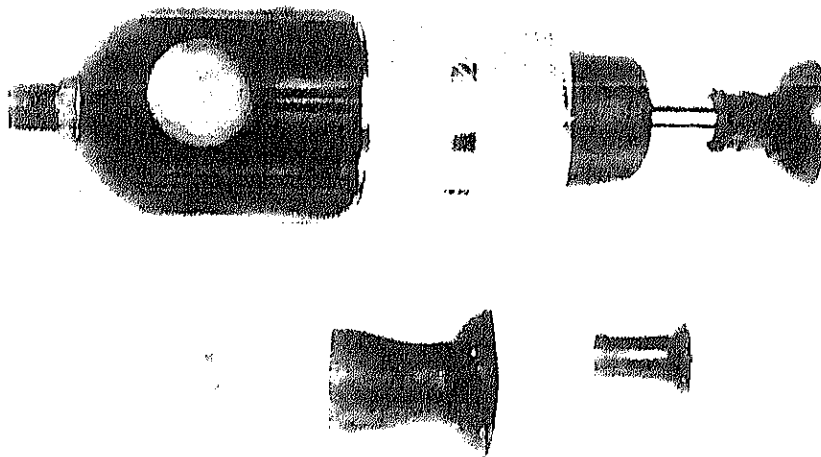
Name Piston Feeler Gauge

Type No.208



CONSTRUCTION PROJECT OF AUTOMOBILE REPAIR & MAINTENANCE WORKSHOP IN BANGLADESH	DATE
	SCALE
TITLE OF DRAWING	ORG. NO. —
JAPAN INTERNATIONAL COOPERATION AGENCY	

1-1-9  
Item No.      40  
Name            Valve Lapper  
Type            T-510C



CONSTRUCTION PROJECT OF AUTOMOBILE REPAIR & MAINTENANCE WORKSHOP IN BANGLADESH	DATE
	SCALE
TITLE OF DRAWING	DRG. NO.
	—
JAPAN INTERNATIONAL COOPERATION AGENCY	

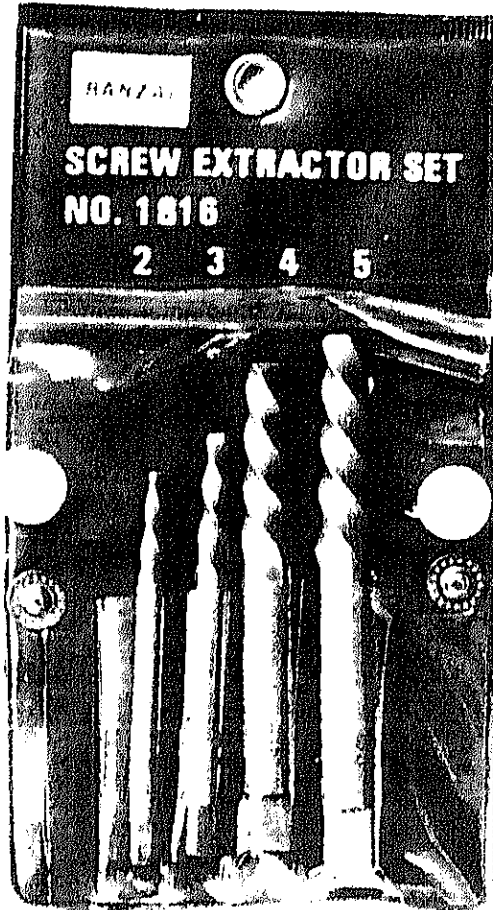


1-1-9

Item No. 43

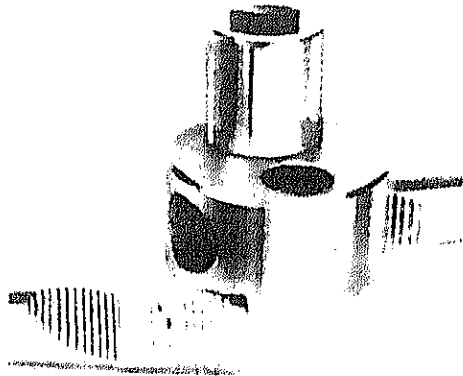
Name Screw- Extractor

Type No.1816



CONSTRUCTION PROJECT OF AUTOMOBILE REPAIR & MAINTENANCE WORKSHOP IN BANGLADESH	DATE
	SCALE
TITLE OF DRAWING	DRG. NO. —
JAPAN INTERNATIONAL COOPERATION AGENCY	

1-1-9  
Item No.      44  
Name            Stud Remover  
Type            SB-34A



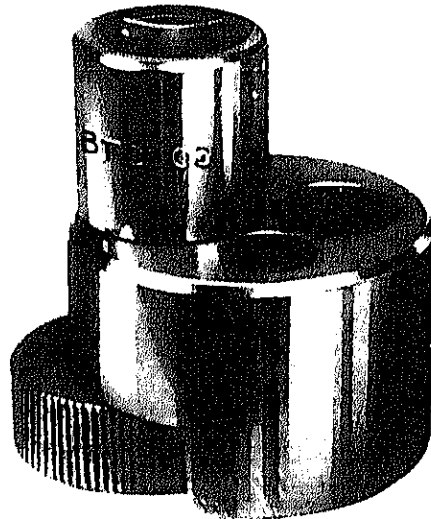
CONSTRUCTION PROJECT OF AUTOMOBILE REPAIR & MAINTENANCE WORKSHOP IN BANGLADESH	DATE
	SCALE
TITLE OF DRAWING	ORG. NO.
JAPAN INTERNATIONAL COOPERATION AGENCY	

---1-1-9---

Item No. 45

Name Stud Remover

Type SB-34B



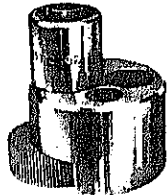
CONSTRUCTION PROJECT OF		DATE
AUTOMOBILE REPAIR & MAINTENANCE WORKSHOP IN BANGLADESH		SCALE
TITLE OF DRAWING		ORG. NO. —
JAPAN INTERNATIONAL COOPERATION AGENCY		

1-1-9

Item No.            46

Name                Stud Remover

Type                SB-34D



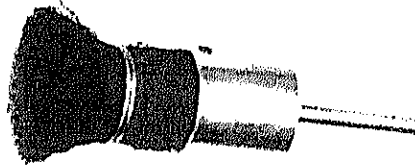
CONSTRUCTION PROJECT OF AUTOMOBILE REPAIR & MAINTENANCE WORKSHOP IN BANGLADESH	DATE
	SCALE
TITLE OF DRAWING	ORG. NO. —
JAPAN INTERNATIONAL COOPERATION AGENCY	

---1-1-9---

Item No. 48

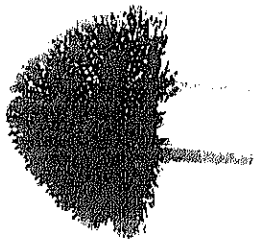
Name Carbon Brush

Type 771



CONSTRUCTION PROJECT OF AUTOMOBILE REPAIR & MAINTENANCE WORKSHOP IN BANGLADESH	DATE
	SCALE
TITLE OF DRAWING	ORG. NO. —
JAPAN INTERNATIONAL COOPERATION AGENCY	

1-1-9  
Item No.      49  
Name            Carbon Brush  
Type            772



CONSTRUCTION PROJECT OF AUTOMOBILE REPAIR & MAINTENANCE WORKSHOP IN BANGLADESH	DATE
	SCALE
TITLE OF DRAWING	DRG. NO. —
JAPAN INTERNATIONAL COOPERATION AGENCY	

1-1-9

Item No.      50

Name              Carbon Brush

Type                773



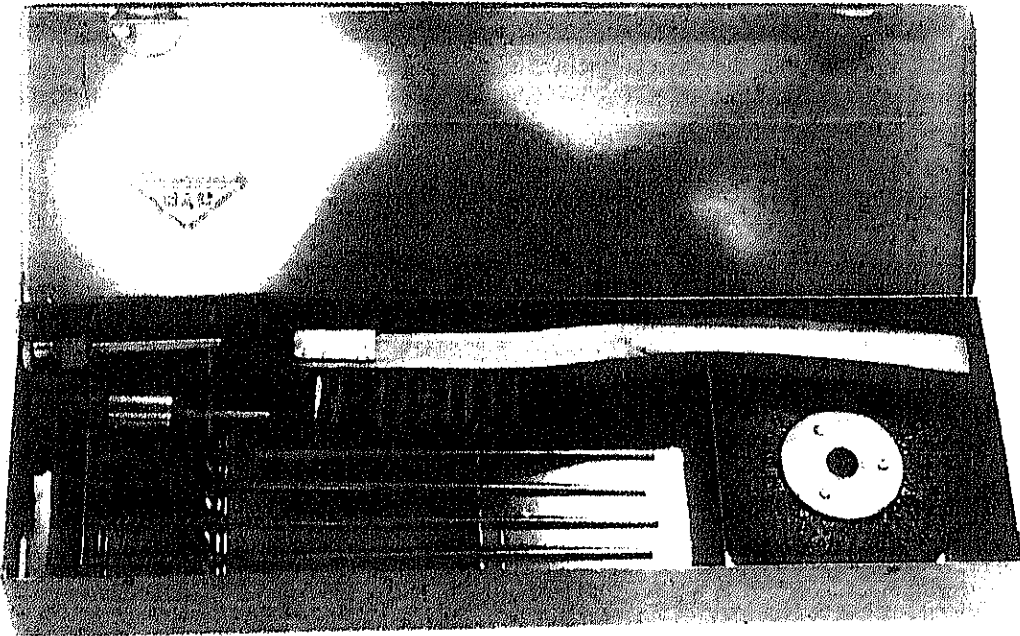
CONSTRUCTION PROJECT OF AUTOMOBILE REPAIR & MAINTENANCE WORKSHOP IN BANGLADESH	DATE
	SCALE
TITLE OF DRAWING	ORG. NO. —
JAPAN INTERNATIONAL COOPERATION AGENCY	

\_\_\_1-1-9\_\_\_

Item No. 51

Name Carbon Cleaning Set

Type 750



CONSTRUCTION PROJECT OF		DATE
AUTOMOBILE REPAIR & MAINTENANCE WORKSHOP IN BANGLADESH		SCALE
TITLE OF DRAWING		ORG NO. —
JAPAN INTERNATIONAL COOPERATION AGENCY		