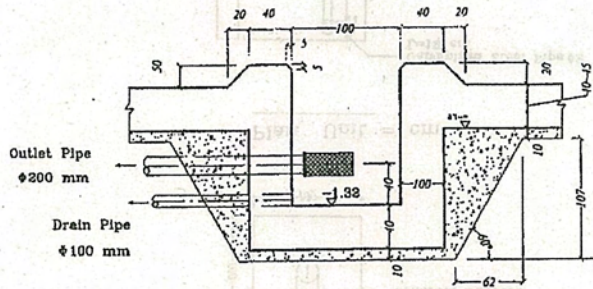
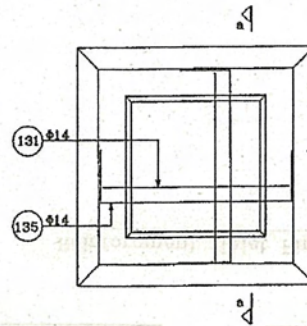


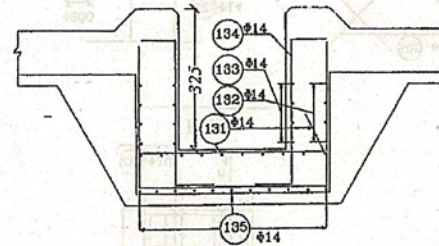
Plan
Unit : cm



Section a-a
Unit : cm



Plan

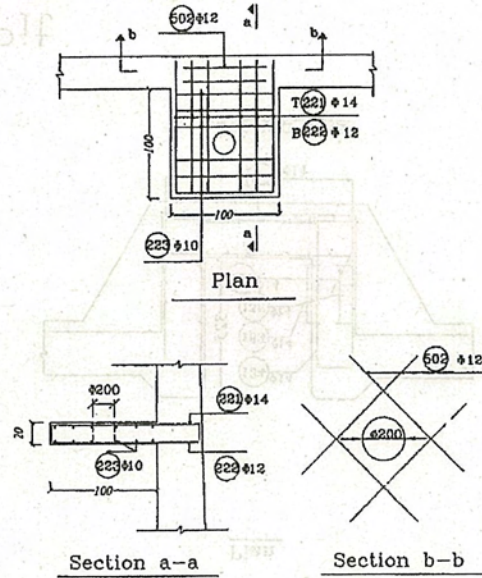
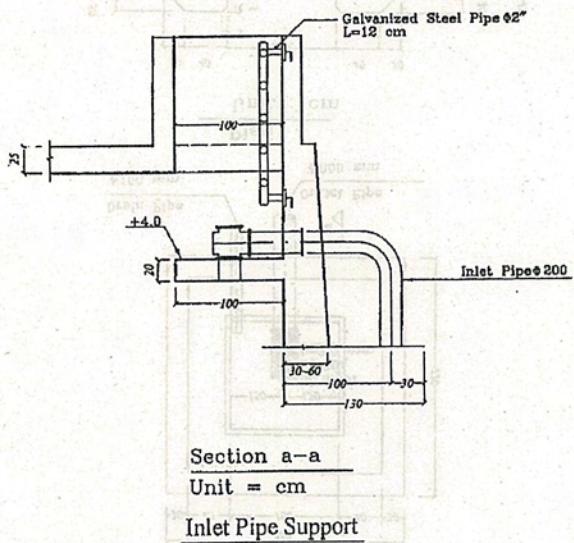
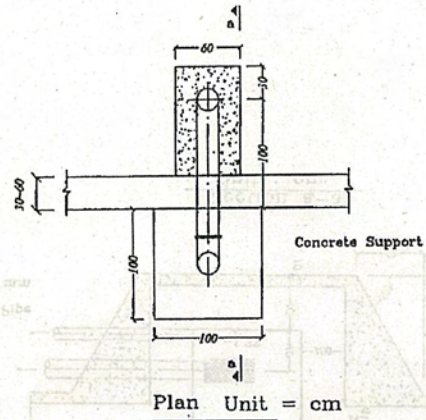


Section a-a

Outlet Pit
Unit(cm)

Project Name	THE PROJECT FOR CONSTRUCTION OF RESERVOIR
Client	WATER AND SEWAGE COMPANY OF KERMAN
Contract No.	
Scale	1/40

JICA Technical Cooperation The Bam Earthquake Study and Construction for Water Supply System		
THE PROJECT FOR CONSTRUCTION OF RESERVOIR		
Date: March, 2005	Title: Outlet Pit	Scale: 1/40
Consultant: PACIFIC CONSULTANTS INTERNATIONAL	Draw No. 1-11	
Contractor: JAPAN L&E&O&E&R		
WATER AND SEWAGE COMPANY OF KERMAN		

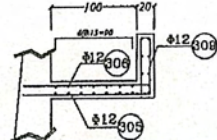
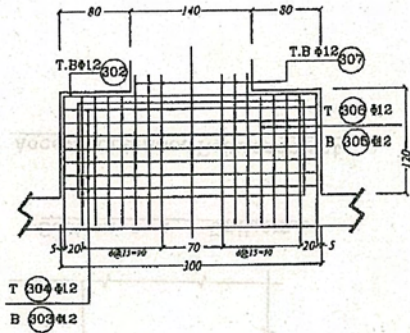


THE PROJECT FOR CONSTRUCTION OF RESERVOIR

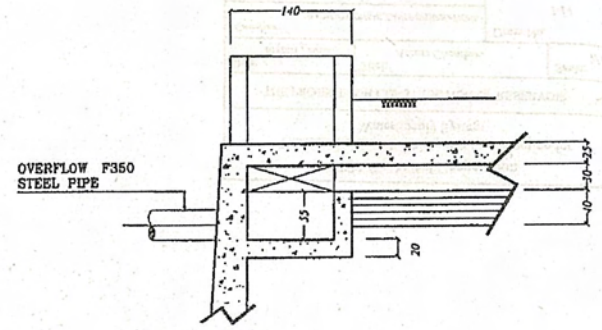
THE BOM EARTHQUAKE STUDY AND CONSTRUCTION FOR WATER SUPPLY SYSTEM

Access Chamber

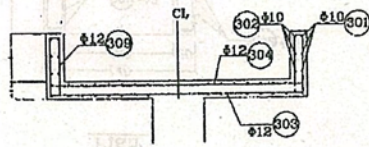
JICA Technical Cooperation		
The Bam Earthquake Study and Construction for Water Supply System		
THE PROJECT FOR CONSTRUCTION OF RESERVOIR		
Date:	Title:	Scale:
March, 2005	Access Chamber	1/10
Consultant:	Draw No.	
PACIFIC CONSULTANTS INTERNATIONAL	I-12	
Client:		
SAHMAN SAZBIN OOSTAR		
WATER AND SEWAGE COMPANY OF FERDMAN		



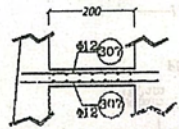
Section 1-1



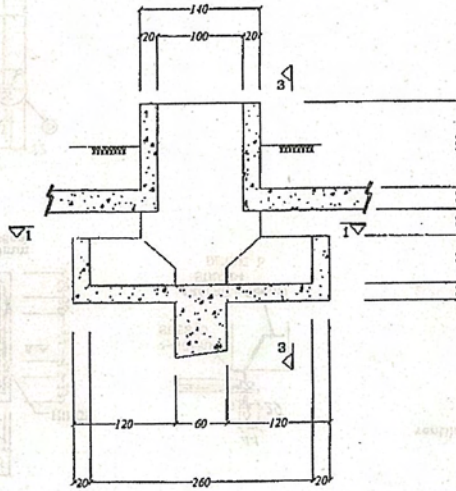
Section 3-3



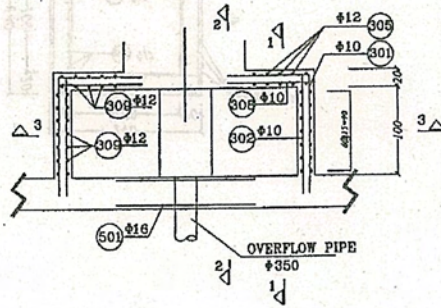
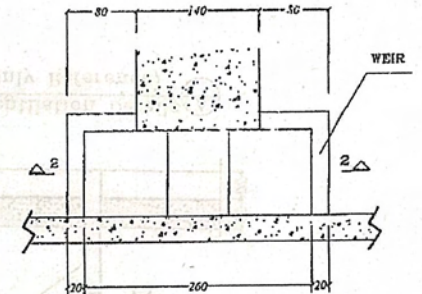
Section 3-3



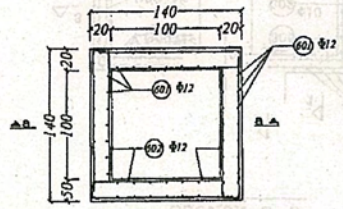
Section 2-2



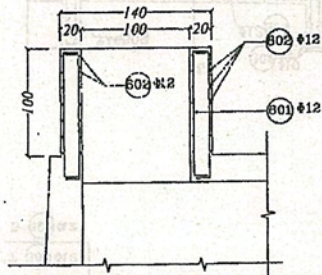
Section 2-2



JICA Technical Cooperation The Bam Earthquake Study and Construction for Water Supply System		
THE PROJECT FOR CONSTRUCTION OF RESERVOIR		
Date: March, 2005	Title: Over Flow Detail	Scale: 1/50
Consultant: PACIFIC CONSULTANTS INTERNATIONAL	Draw No. 1-13	
Contractor: KAWAJI SIZEN CORP.		

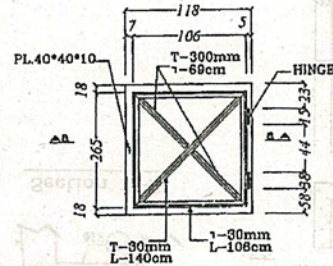


Plan

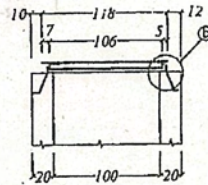


Section a-a Unit:cm

Access Chamber Reinforcement

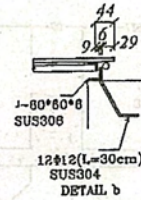


PLAN

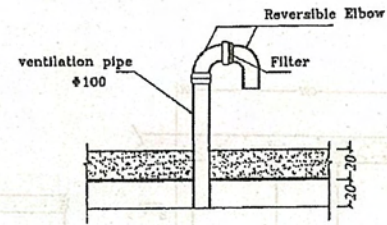


SECTION a-a

DETAIL OF ACCESS CHAMBER

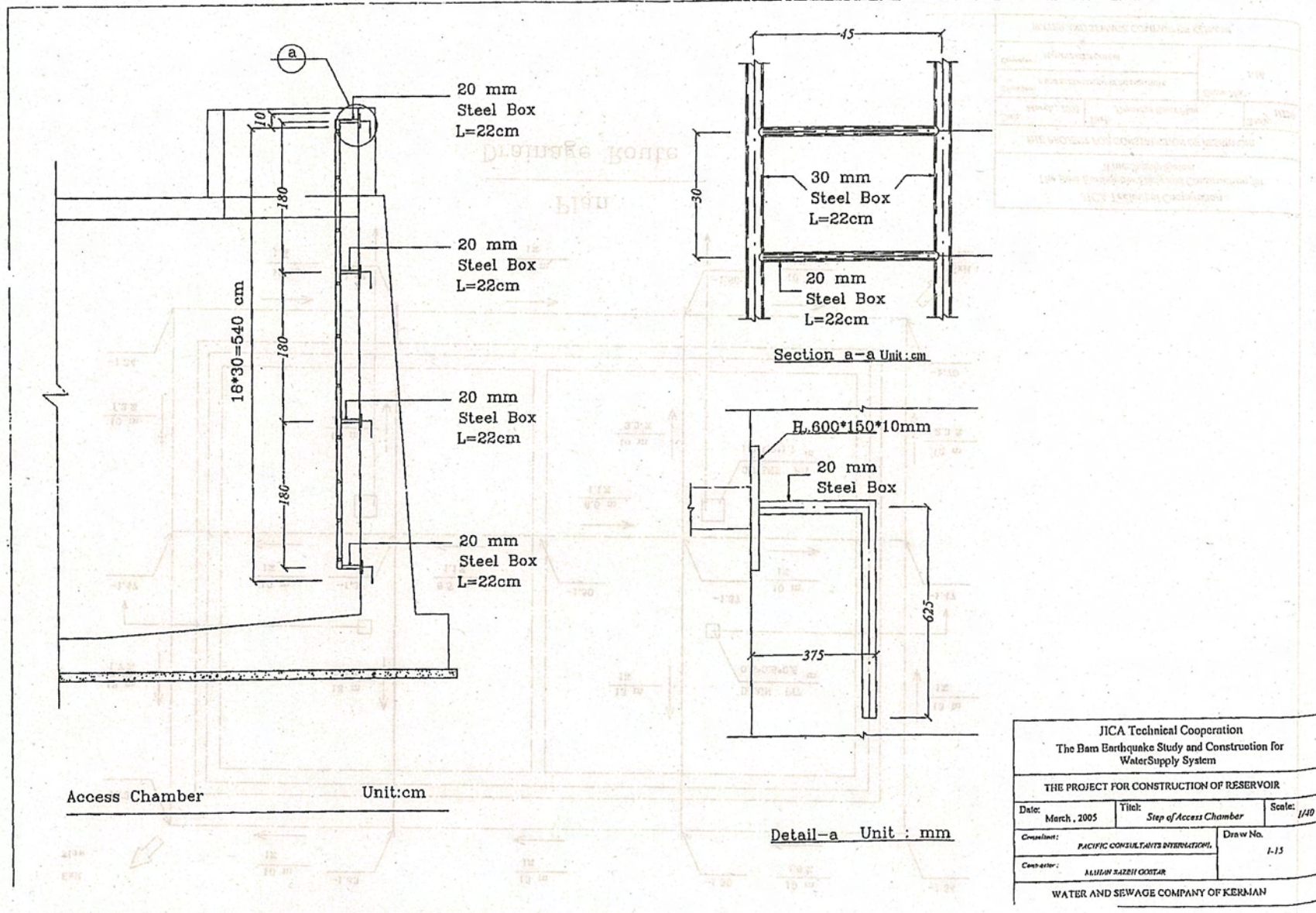


DETAIL b



Ventilation Details (Only Reference)

JICA Technical Cooperation		
The Bam Earthquake Study and Construction for Water Supply System		
THE PROJECT FOR CONSTRUCTION OF RESERVOIR		
Date:	Title:	Scale:
March, 2005	Access Chamber	1/40
Contractor:	Draw No.	
PACIFIC CONSULTANTS INTERNATIONAL	1-14	
Client:	WATER AND SEWAGE COMPANY OF KERMAN	
WATER AND SEWAGE COMPANY OF KERMAN		



Project Name	THE PROJECT FOR CONSTRUCTION OF RESERVOIR
Date	March, 2005
Title	Step of Access Chamber
Scale	1/40
Client	PACIFIC CONSULTANTS INTERNATIONAL
Contractor	ASHIAN SAZESH OOSTAR
Draw No.	1-13

JICA Technical Cooperation		
The Bam Earthquake Study and Construction for WaterSupply System		
THE PROJECT FOR CONSTRUCTION OF RESERVOIR		
Date:	March, 2005	Scale: 1/40
Title:	Step of Access Chamber	
Client:	PACIFIC CONSULTANTS INTERNATIONAL	Draw No. 1-13
Contractor:	ASHIAN SAZESH OOSTAR	
WATER AND SEWAGE COMPANY OF KERMAN		