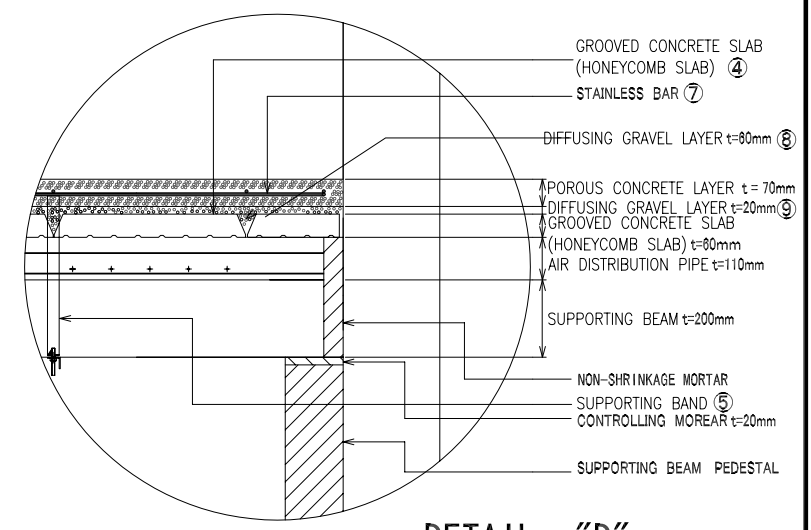
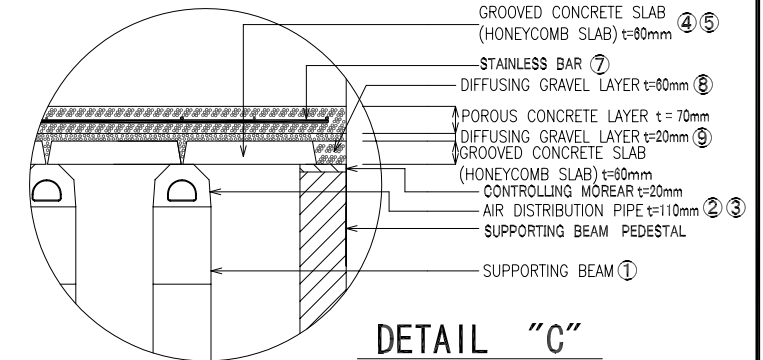


DETAIL OF FILTERS FLOOR PLAN

S=1:100



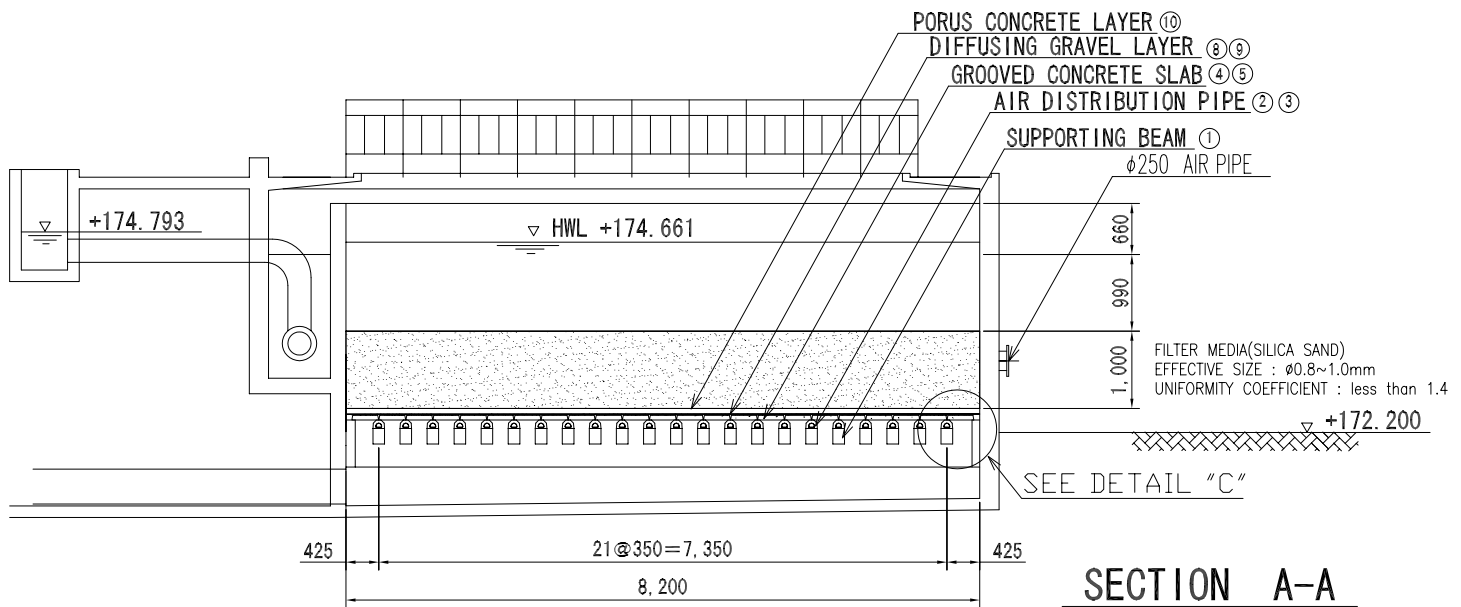
DETAIL "D"  
S=1:20



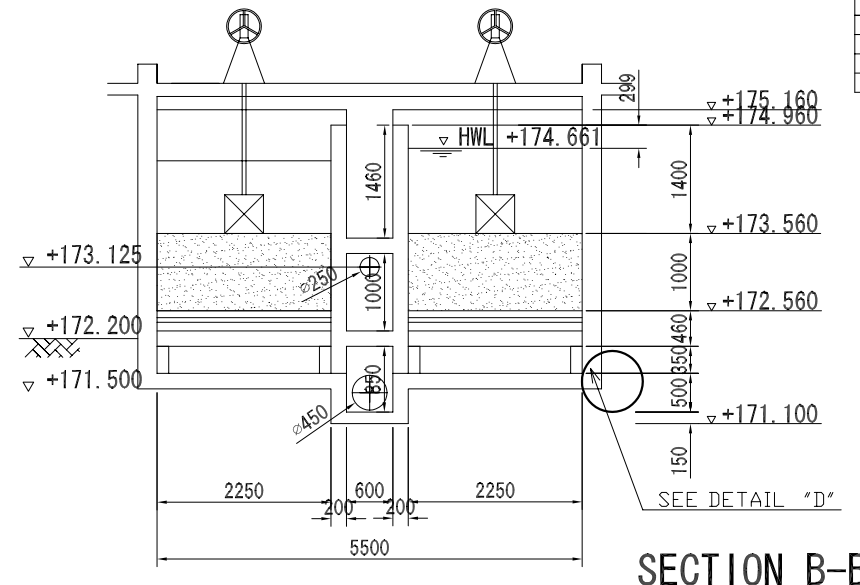
DETAIL "C"  
S=1:20

BILL OF QUANTITIES

No.	MATERIAL	SPECIFICATIOUS	1SET	ALL	
①	SUPPORTING BEAM	R.C	44	PCS	176 PCS
②	AIR DISTRIBUTION PIPE	R.C (STANDARD)	88	PCS	352 PCS
③	AIR DISTRIBUTION PIPE	R.C (ADJUSTMENT)	44	PCS	176 PCS
④	GROOVED CONCRETE SLAB	R.C (STANDARD)	184	PCS	736 PCS
⑤	GROOVED CONCRETE SLAB	R.C (ADJUSTMENT)	46	PCS	184 PCS
⑥	SUPPORTING BAND	SUS304	88	PCS	352 PCS
⑦	STAINLESS BAR	SUS304 φ8	100.8	Kg	403.2 Kg
⑧	DIFFUSING GRAVEL LAYER	φ8~12	0.92	m <sup>3</sup>	3.68 m <sup>3</sup>
⑨	DIFFUSING GRAVEL LAYER	φ8~8	0.74	m <sup>3</sup>	2.96 m <sup>3</sup>
⑩	POROUS CONCRETE	PERCENTAGE OF VOID	2.98	m <sup>3</sup>	10.32 m <sup>3</sup>



SECTION A-A  
S=1:100



SECTION B-B  
S=1:100

Lao People's Democratic Republic  
Ministry of Communication, Transport, Post and Construction

The Basic Design Study on  
The Project for the Vientiane Water Supply Development in  
Lao People's Democratic Republic

TITLE: Rehabilitation of Kaoliao Treatment Plant, Filter  
(Before Rehabilitation)

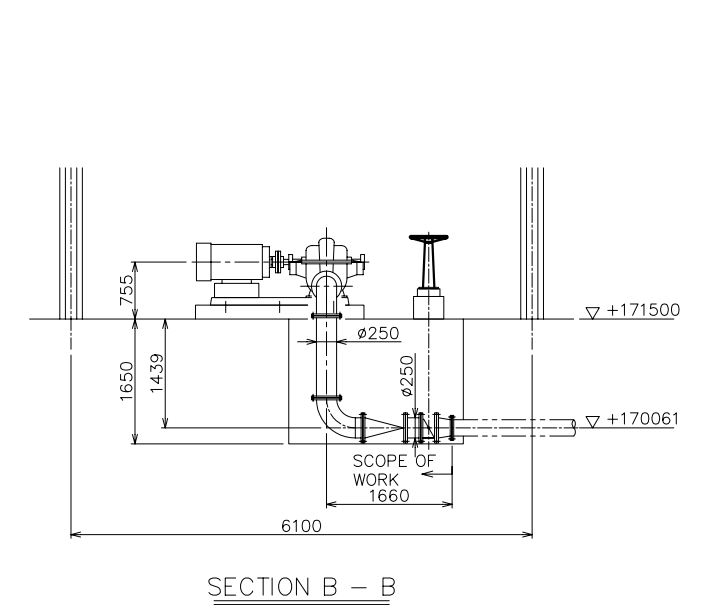
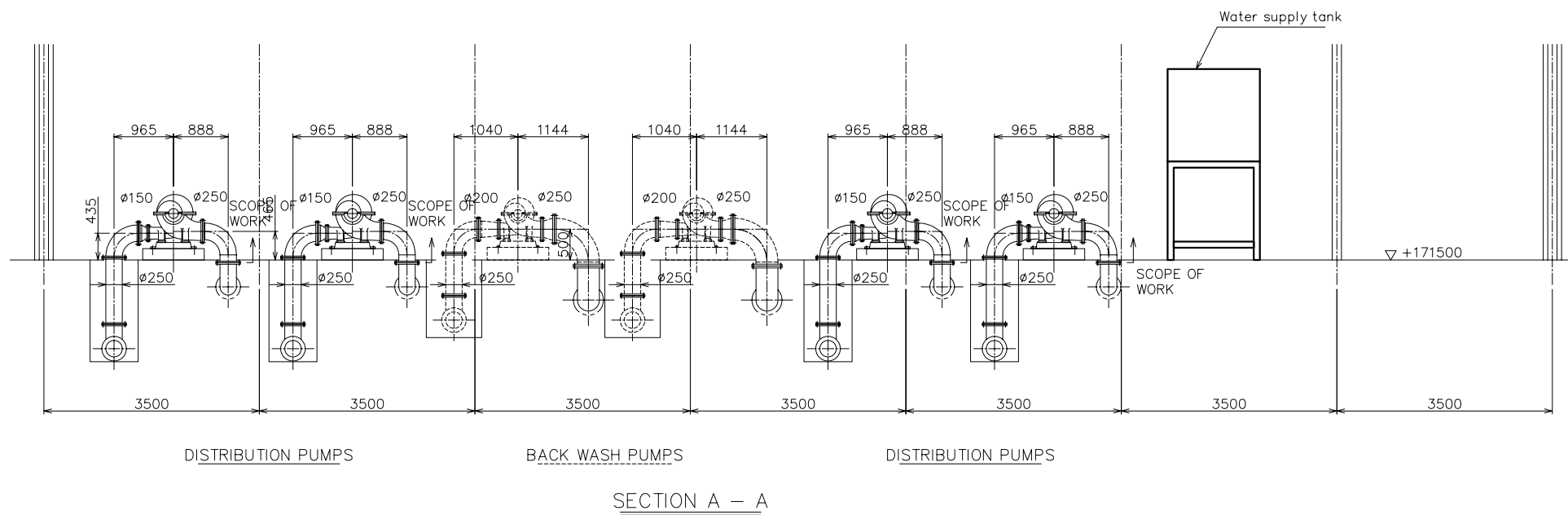
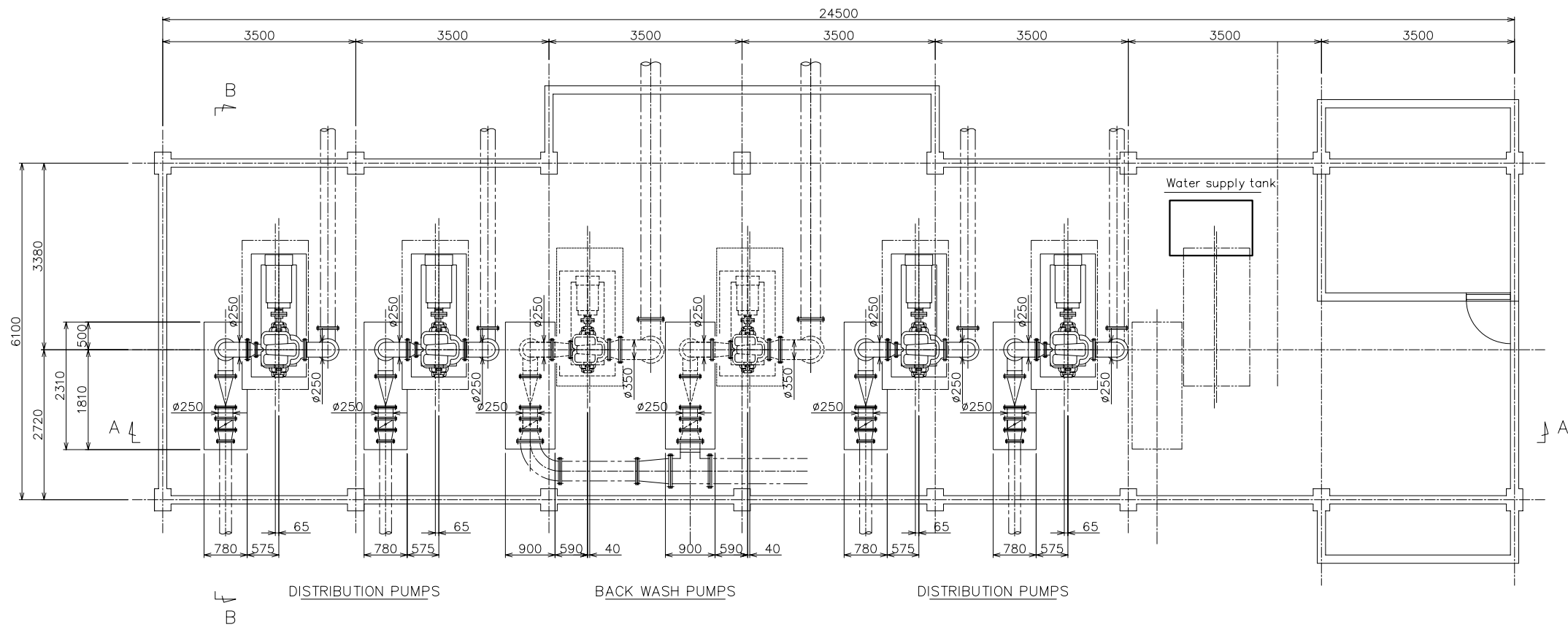
SCALE: AS SHOWN DRAWING NO: Figure 2-53

APPROVED BY: DATE: \_\_\_\_\_

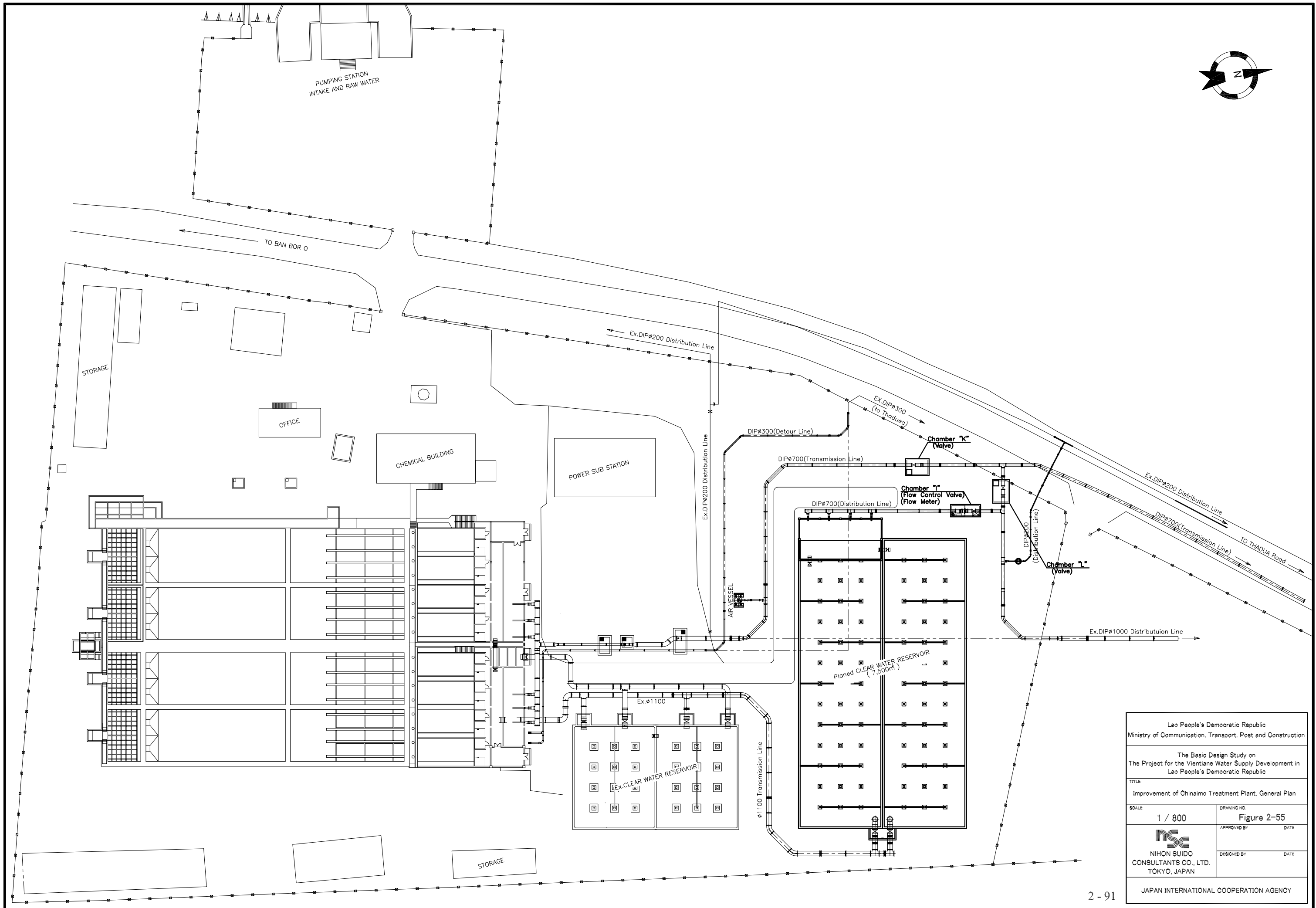
DESIGNED BY: DATE: \_\_\_\_\_

**NSC**  
NIHON SUIDO  
CONSULTANTS CO., LTD.  
TOKYO, JAPAN

JAPAN INTERNATIONAL COOPERATION AGENCY



Lao People's Democratic Republic Ministry of Communication, Transport, Post and Construction	
The Basic Design Study on The Project for the Vientiane Water Supply Development in Lao People's Democratic Republic	
TITLE Rehabilitation of Kaolieo Treatment Plant. Details of Pumping Station	
SCALE AS SHOWN	DRAWING NO. Figure 2-54
 NIHON SUIDO CONSULTANTS CO., LTD. TOKYO, JAPAN	APPROVED BY _____ DATE _____
	DESIGNED BY _____ DATE _____
JAPAN INTERNATIONAL COOPERATION AGENCY	



Lao People's Democratic Republic Ministry of Communication, Transport, Post and Construction	
The Basic Design Study on The Project for the Vientiane Water Supply Development in Lao People's Democratic Republic	
TITLE Improvement of Chinaimo Treatment Plant, General Plan	
SCALE 1 / 800	DRAWING NO. Figure 2-55
INSC NIHON SUIDO CONSULTANTS CO., LTD. TOKYO, JAPAN	APPROVED BY _____ DATE _____ DESIGNED BY _____ DATE _____
JAPAN INTERNATIONAL COOPERATION AGENCY	