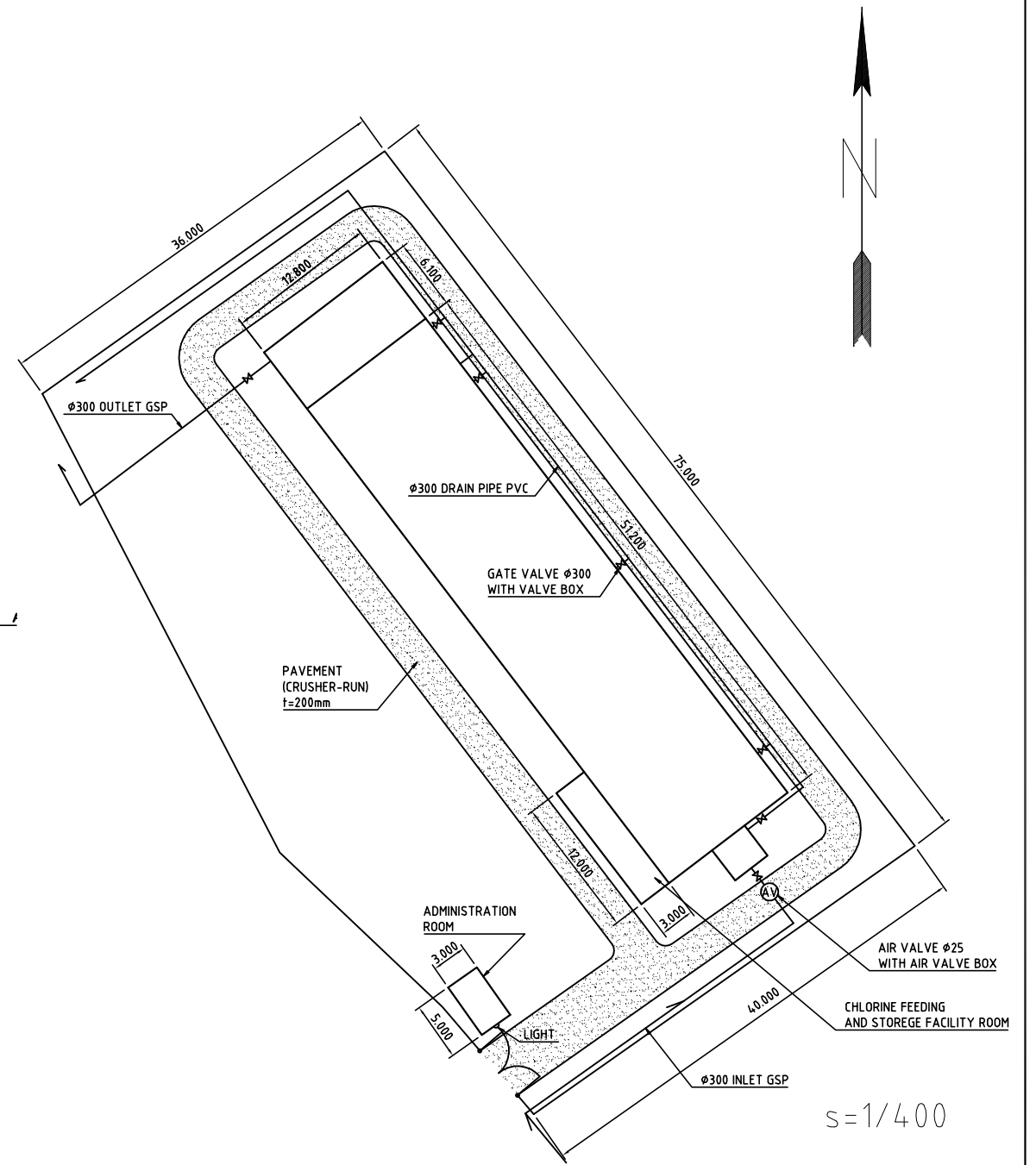


PLAN

s=1/200



GENERAL LAYOUT

s=1/400

THE BASIC DESIGN STUDY ON THE PROJECT  
FOR WATER SUPPLY IN GUNUNKIDUL REGENCY  
OF YOGYAKARTA SPECIAL TERRITORY  
IN THE REPUBLIC OF INDONESIA

JAPAN INTERNATIONAL COOPERATION AGENCY

 **NIPPON KOEI CO.,LTD.**

DRAWING TITLE

BR-0 : Plan of Distribution Tank

SCALE

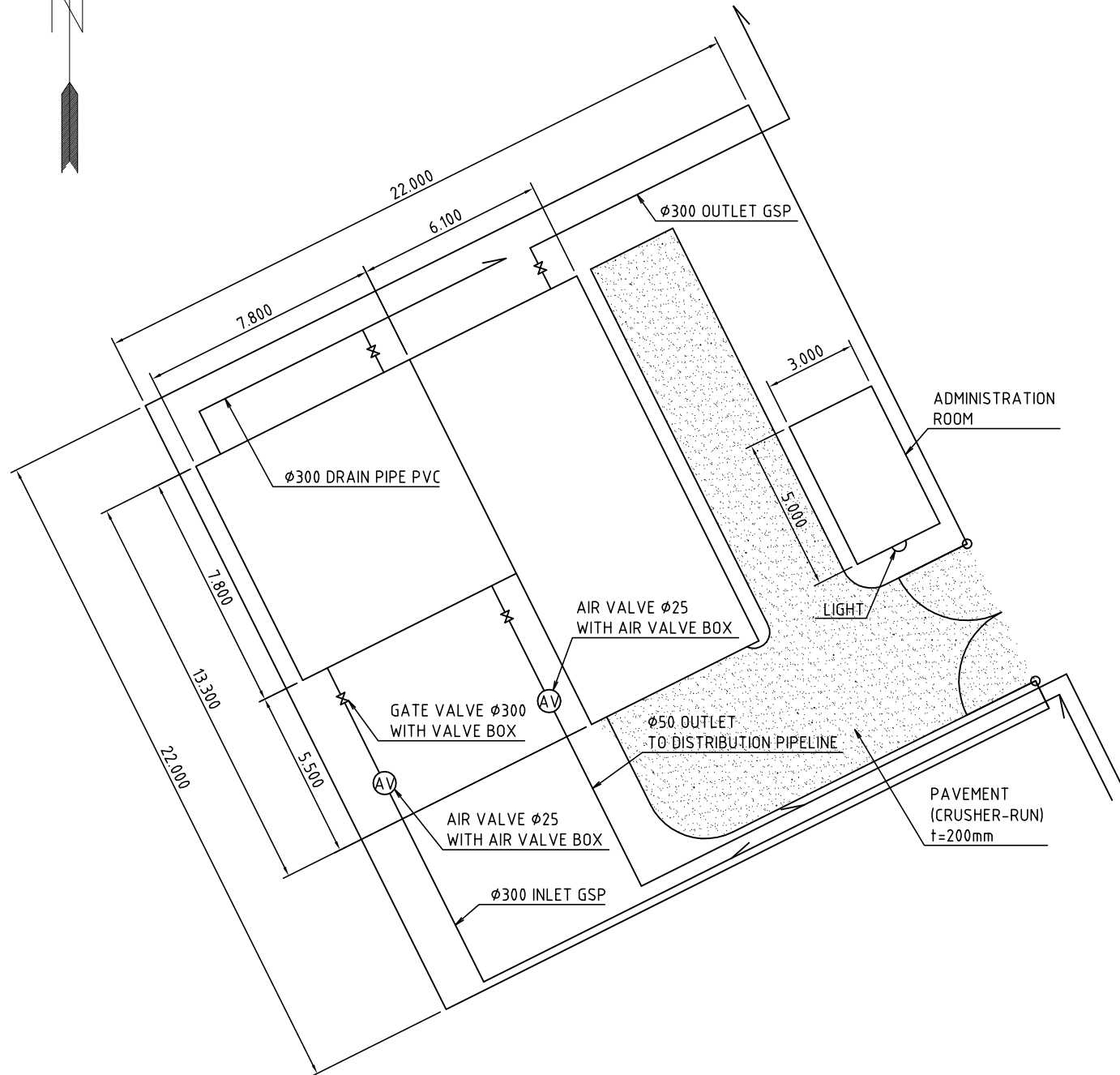
DATE

DRAWING NO.

JAN 2005

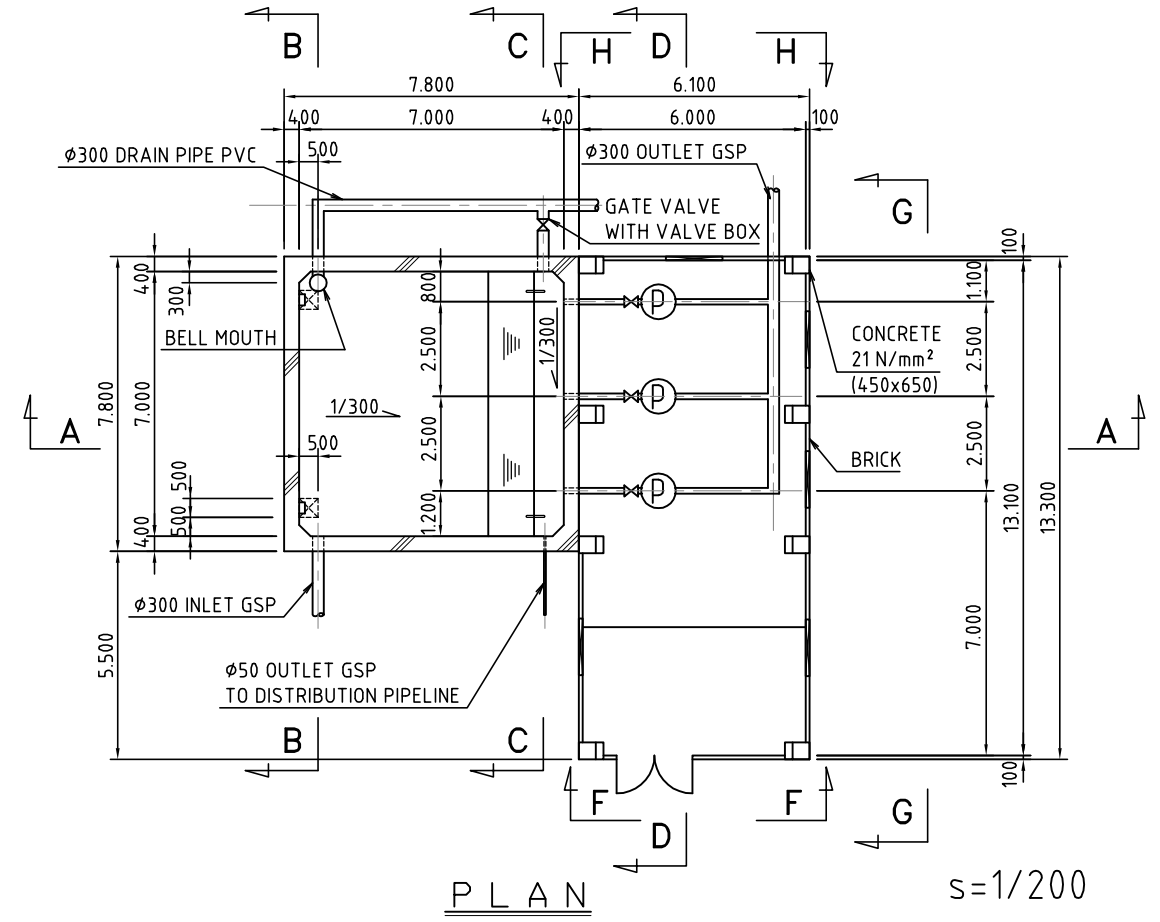
BD - 03





GENERAL LAYOUT

s=1/200



PLAN

s=1/200

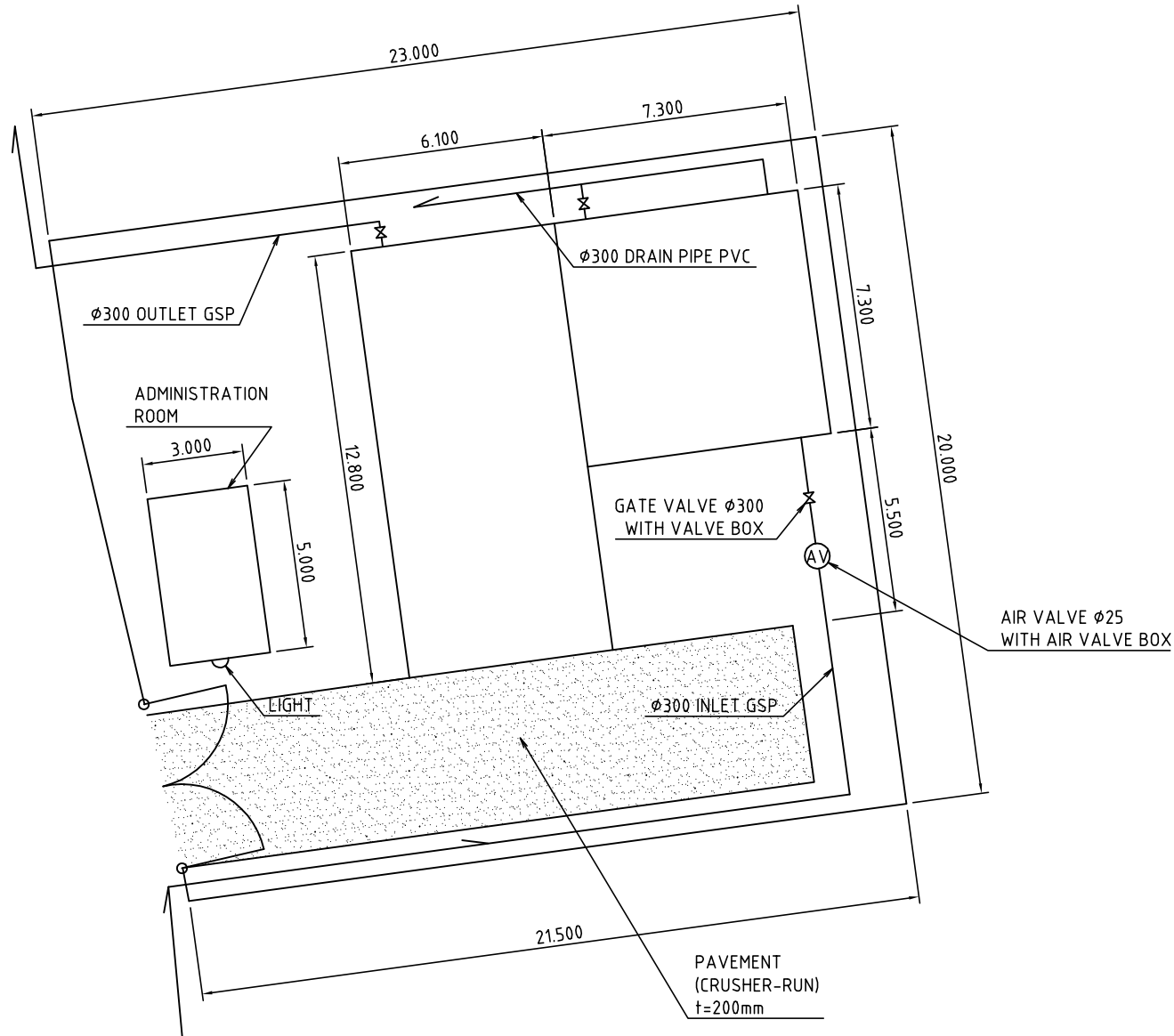
THE BASIC DESIGN STUDY ON THE PROJECT  
FOR WATER SUPPLY IN GUNUNKIDUL REGENCY  
OF YOGYAKARTA SPECIAL TERRITORY  
IN THE REPUBLIC OF INDONESIA

JAPAN INTERNATIONAL COOPERATION AGENCY



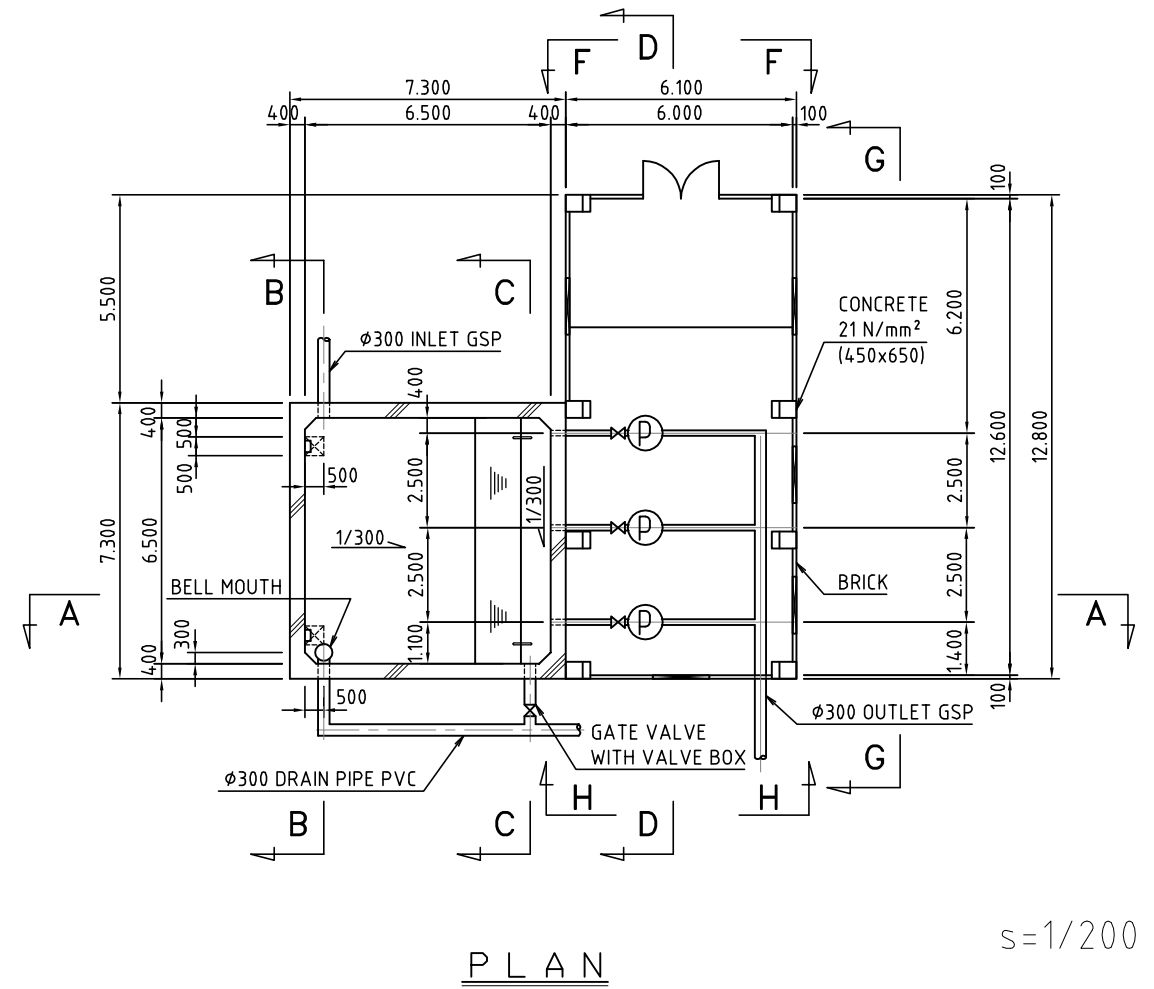
DRAWING TITLE  
BR-2 : Plan of Distribution Tank

SCALE	DATE JAN 2005	DRAWING NO. BD - 05
-------	------------------	------------------------



GENERAL LAYOUT

s=1/200



PLAN

s=1/200

THE BASIC DESIGN STUDY ON THE PROJECT  
FOR WATER SUPPLY IN GUNUNKIDUL REGENCY  
OF YOGYAKARTA SPECIAL TERRITORY  
IN THE REPUBLIC OF INDONESIA

JAPAN INTERNATIONAL COOPERATION AGENCY

 **NIPPON KOEI CO.,LTD.**

DRAWING TITLE

BR-3 : Plan of Distribution Tank

SCALE

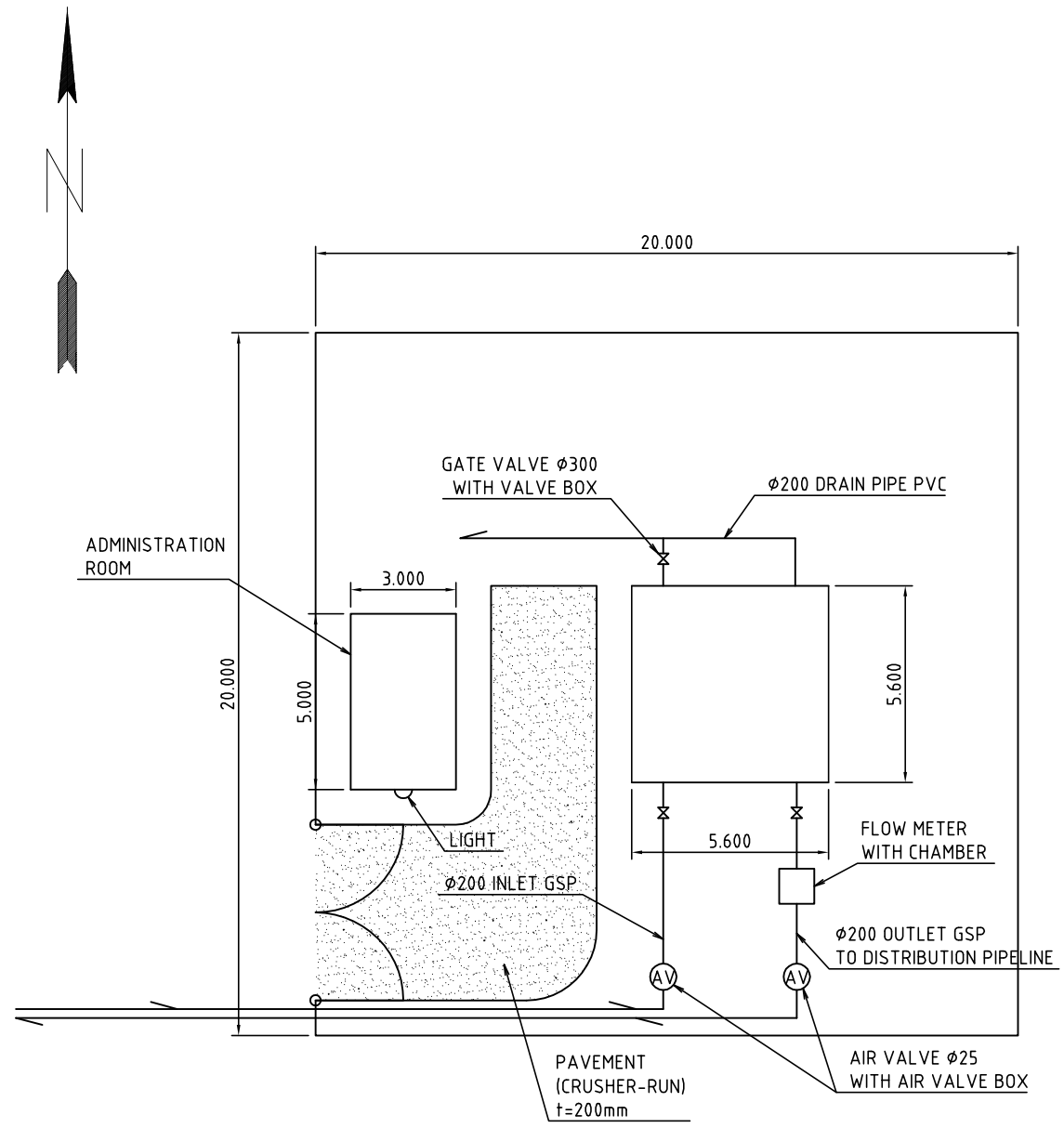
DATE

DRAWING NO.

JAN 2005

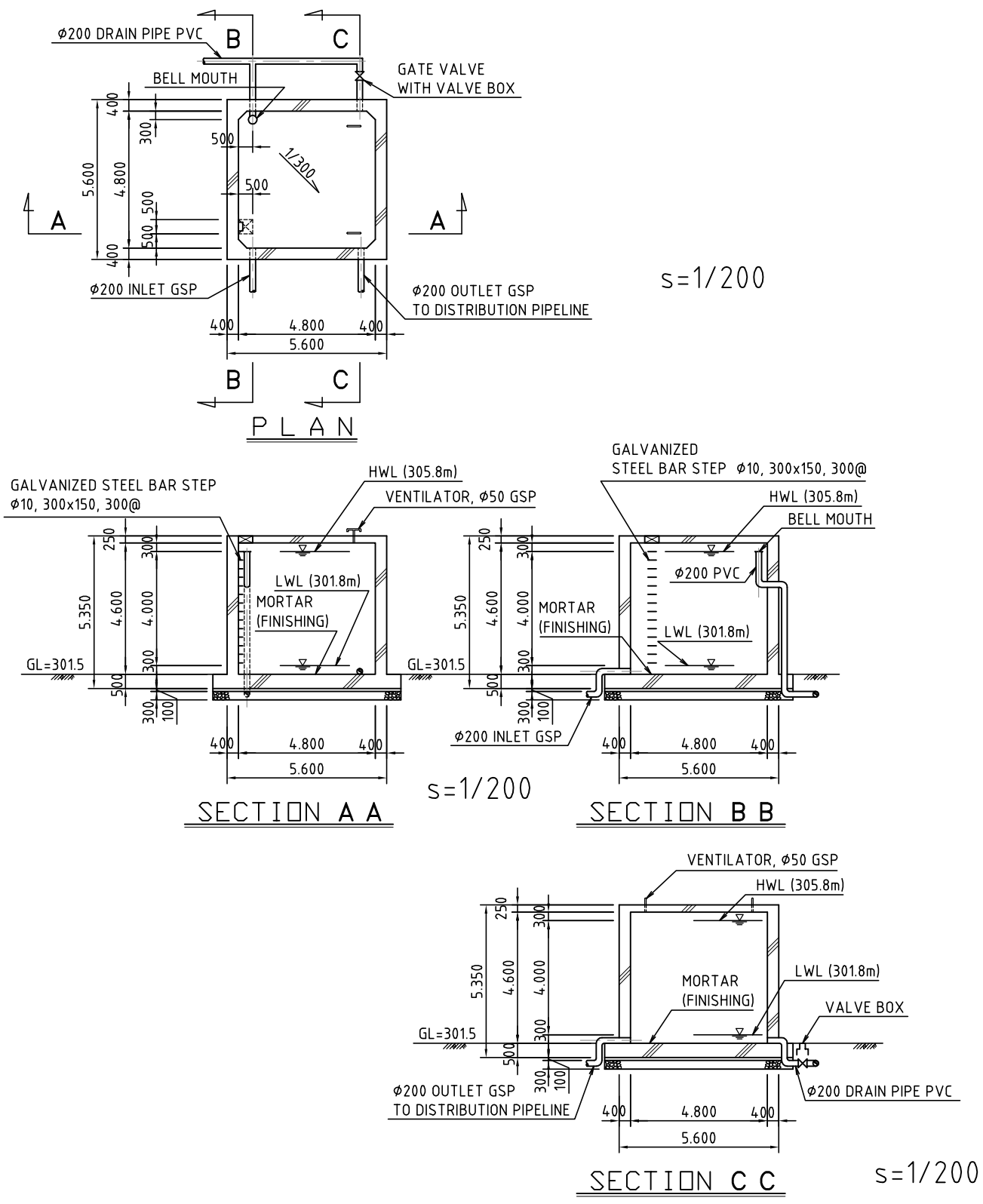
BD - 06





GENERAL LAYOUT

s=1/200



SECTION A A

SECTION B B

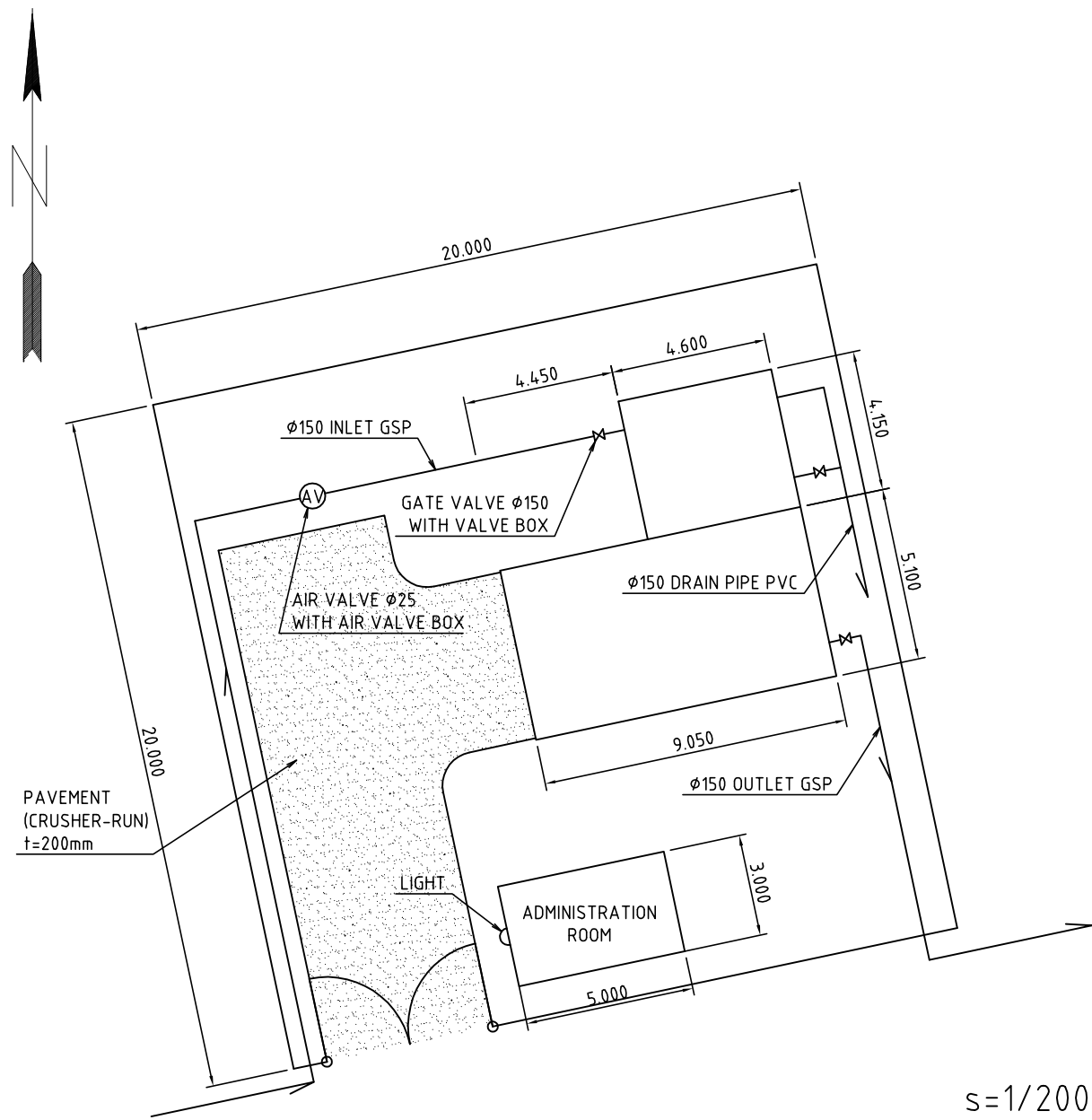
SECTION C C

THE BASIC DESIGN STUDY ON THE PROJECT FOR WATER SUPPLY IN GUNUNKIDUL REGENCY OF YOGYAKARTA SPECIAL TERRITORY IN THE REPUBLIC OF INDONESIA

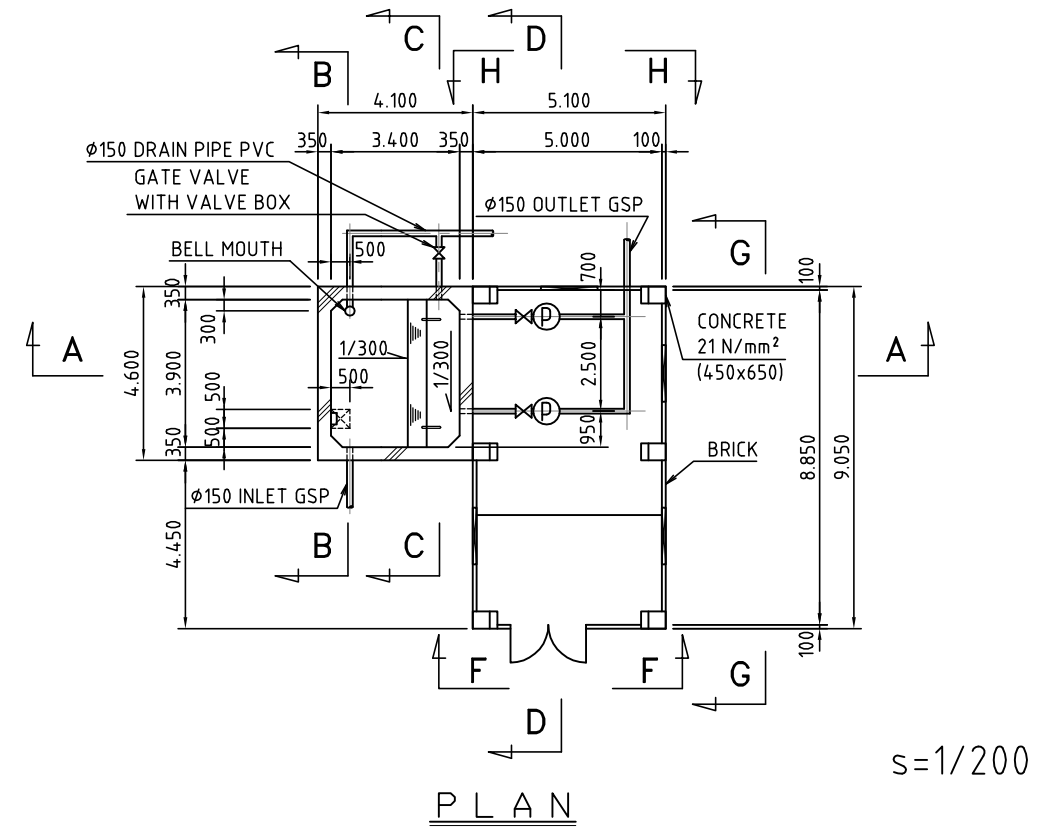
JAPAN INTERNATIONAL COOPERATION AGENCY

NIPPON KOEI CO., LTD.

DRAWING TITLE		
BR-5 : Plan of Distribution Tank		
SCALE	DATE	DRAWING NO.
	JAN 2005	BD - 08



GENERAL LAYOUT



PLAN

THE BASIC DESIGN STUDY ON THE PROJECT  
FOR WATER SUPPLY IN GUNUNKIDUL REGENCY  
OF YOGYAKARTA SPECIAL TERRITORY  
IN THE REPUBLIC OF INDONESIA

JAPAN INTERNATIONAL COOPERATION AGENCY

 **NIPPON KOEI CO.,LTD.**

DRAWING TITLE

BR-6 : Plan of Distribution Tank

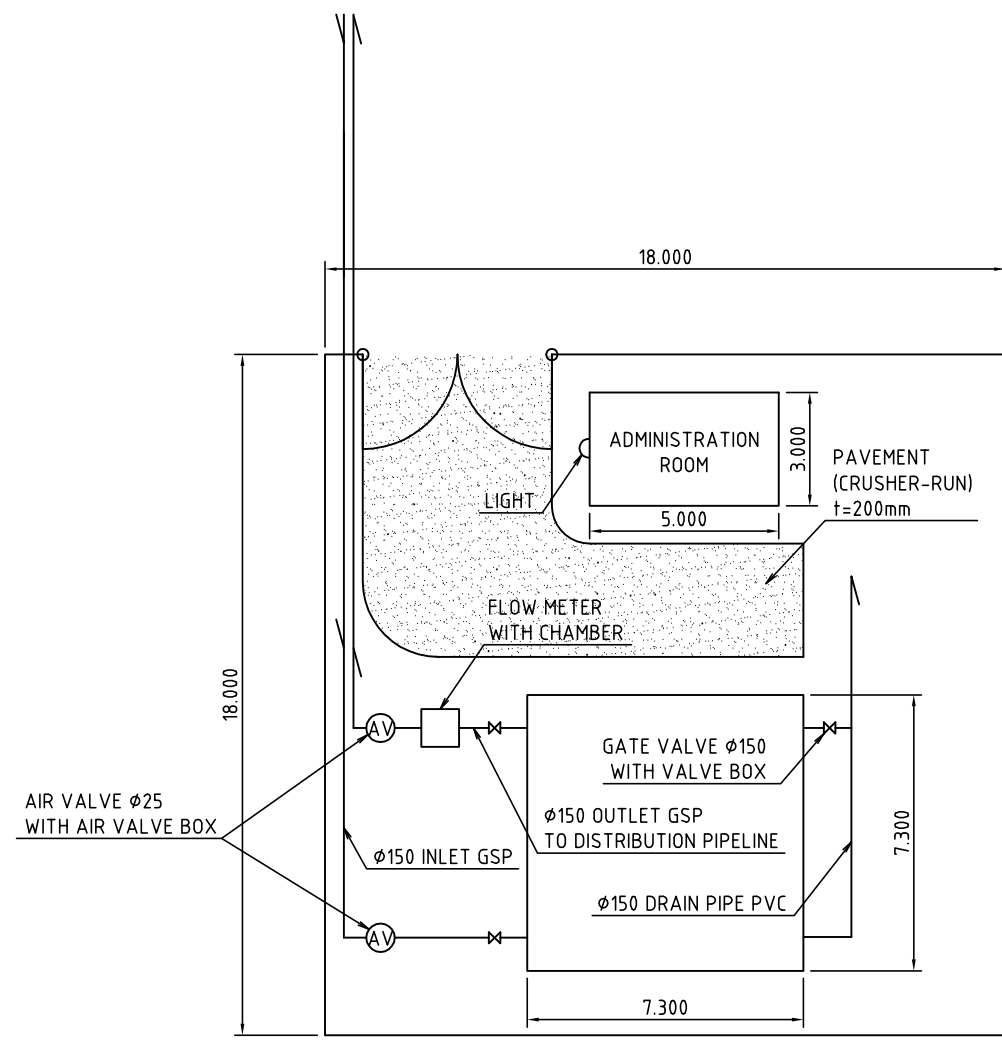
SCALE

DATE

DRAWING NO.

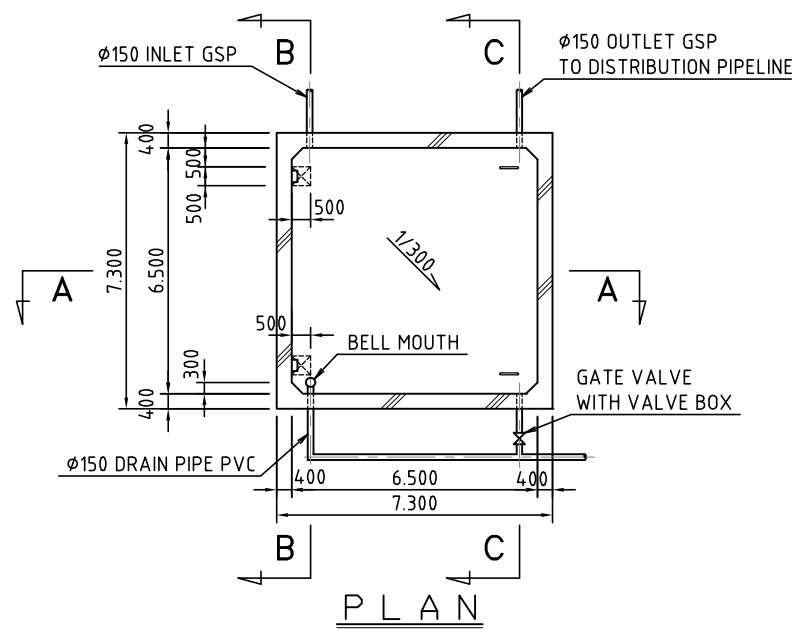
JAN 2005

BD - 09



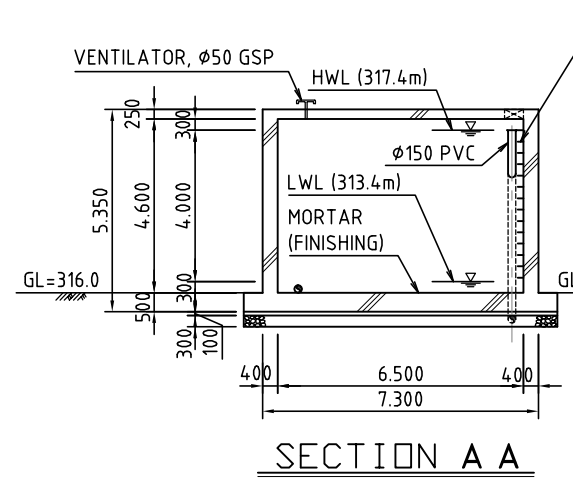
GENERAL LAYOUT

s=1/200

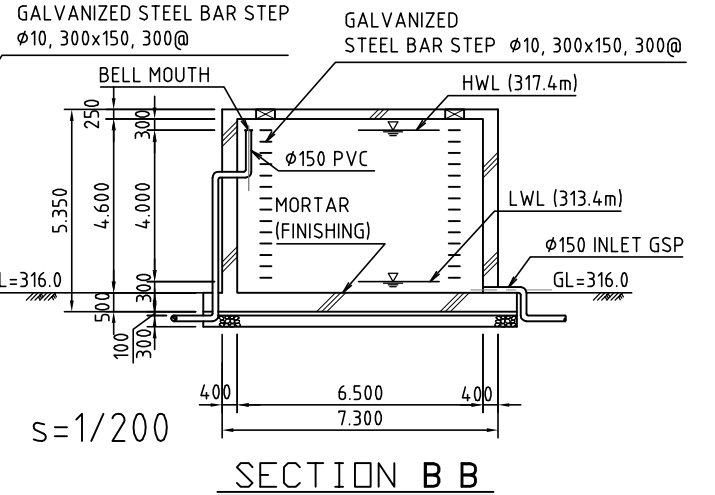


PLAN

s=1/200

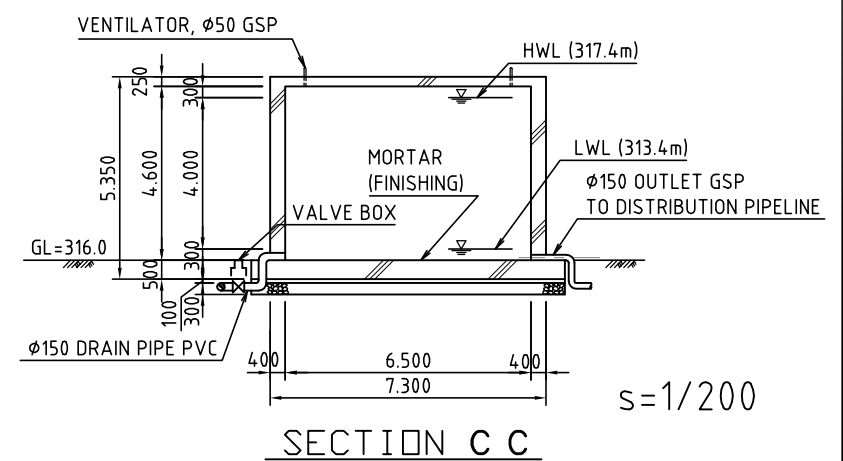


SECTION A A



SECTION B B

s=1/200



SECTION C C

s=1/200

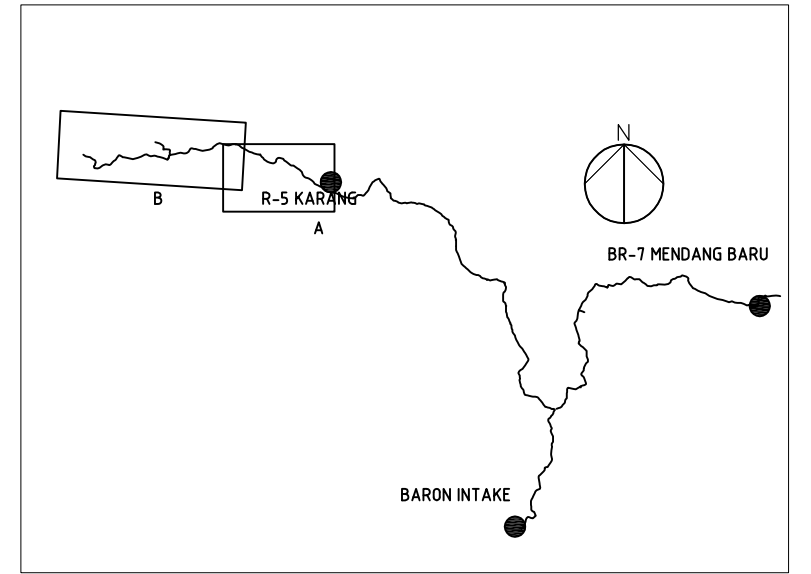
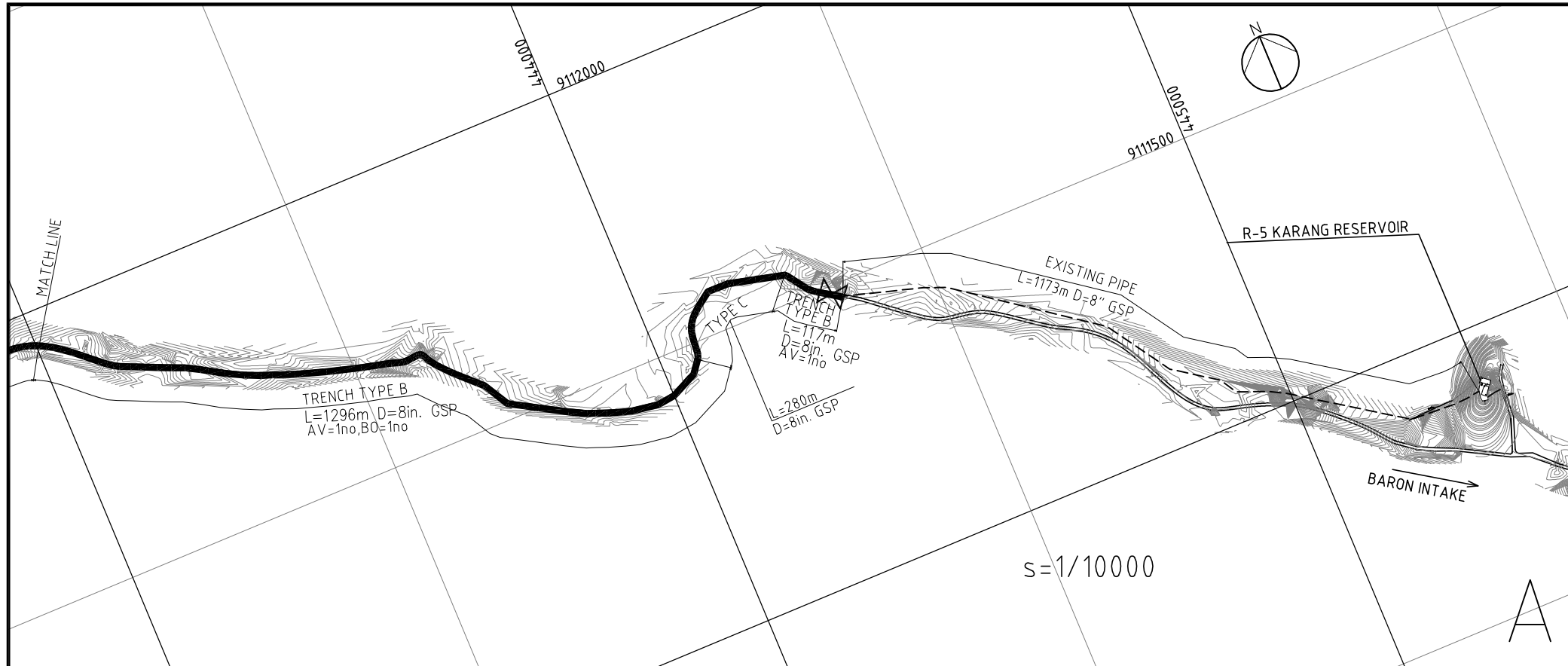
THE BASIC DESIGN STUDY ON THE PROJECT  
FOR WATER SUPPLY IN GUNUNKIDUL REGENCY  
OF YOGYAKARTA SPECIAL TERRITORY  
IN THE REPUBLIC OF INDONESIA

JAPAN INTERNATIONAL COOPERATION AGENCY



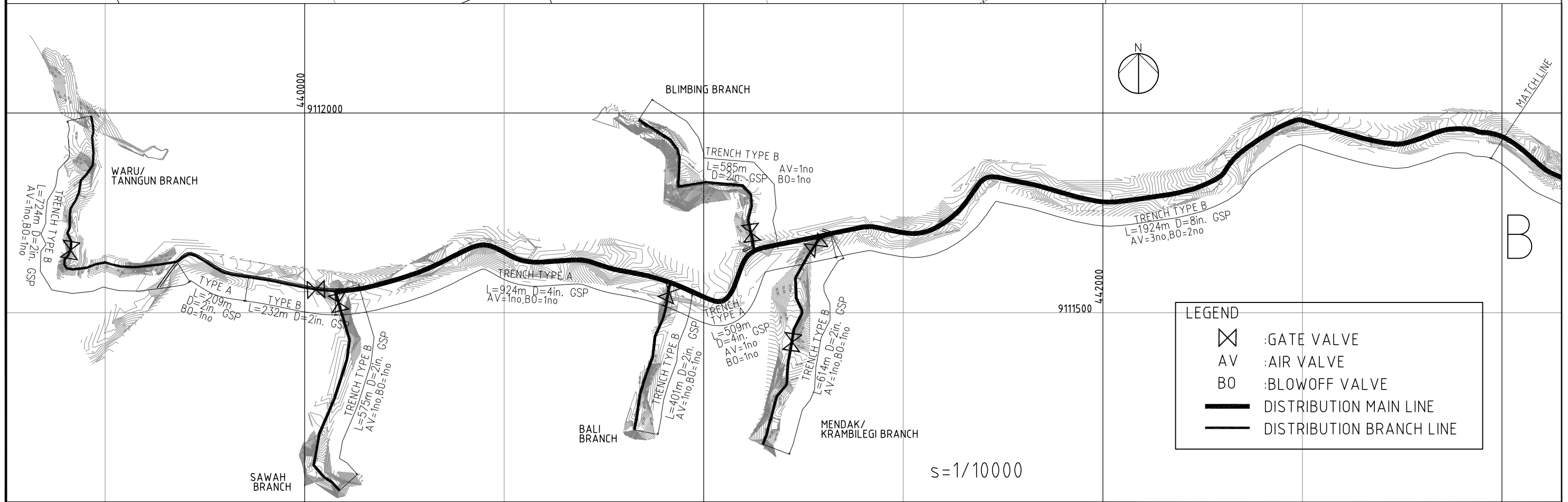
DRAWING TITLE		
BR-7 : Plan of Distribution Tank		
SCALE	DATE	DRAWING NO.
	JAN 2005	BD - 10





KEY MAP

26



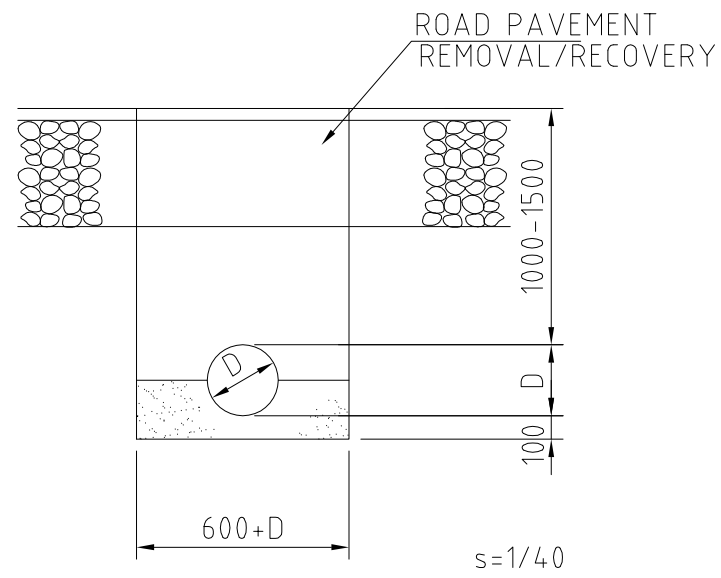
LEGEND	
	: GATE VALVE
AV	: AIR VALVE
BO	: BLOWOFF VALVE
	: DISTRIBUTION MAIN LINE
	: DISTRIBUTION BRANCH LINE

THE BASIC DESIGN STUDY ON THE PROJECT FOR WATER SUPPLY IN GUNUNKIDUL REGENCY OF YOGYAKARTA SPECIAL TERRITORY IN THE REPUBLIC OF INDONESIA

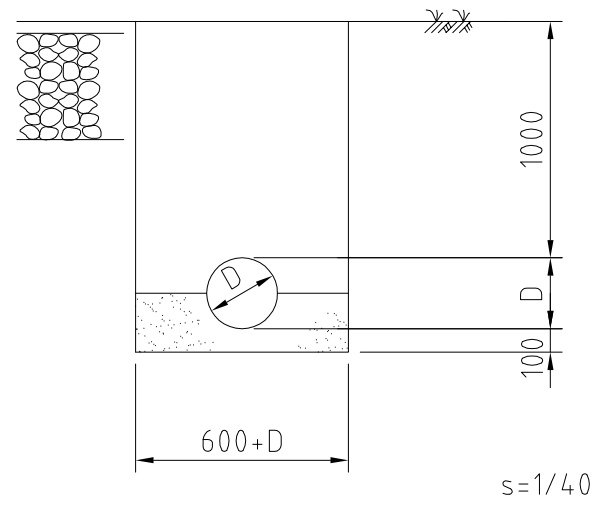
JAPAN INTERNATIONAL COOPERATION AGENCY

NIPPON KOEI CO., LTD.

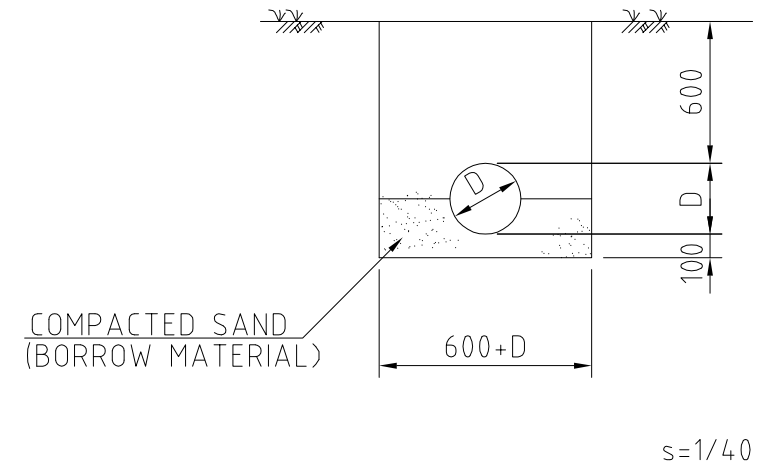
DRAWING TITLE		
Plan of Distiribution Pipe		
SCALE	DATE	DRAWING NO.
	JAN 2005	BD - 11



BELOW ROAD PAVEMENT  
TRENCH TYPE A

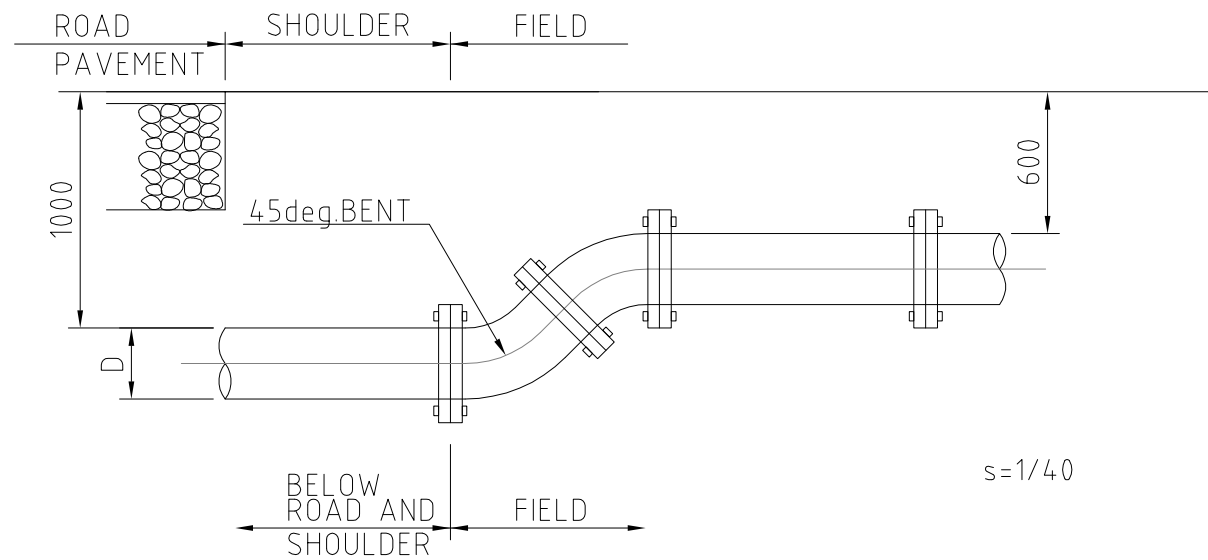


BELOW ROAD SHOULDER  
TRENCH TYPE B

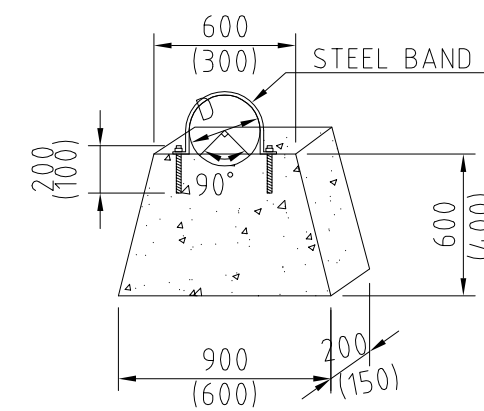


FIELD AREA  
TRENCH TYPE C

TYPICAL SECTION OF TRENCH



TYPICAL VERTICAL BENT AT ROAD CROSSING



TYPICAL PIPE SUPPORT  
( ) : FOR DISTRIBUTION PIPE

THE BASIC DESIGN STUDY ON THE PROJECT  
FOR WATER SUPPLY IN GUNUNKIDUL REGENCY  
OF YOGYAKARTA SPECIAL TERRITORY  
IN THE REPUBLIC OF INDONESIA

JAPAN INTERNATIONAL COOPERATION AGENCY

 NIPPON KOEI CO.,LTD.

DRAWING TITLE  
Installation of Pipe and Typical Cross Section

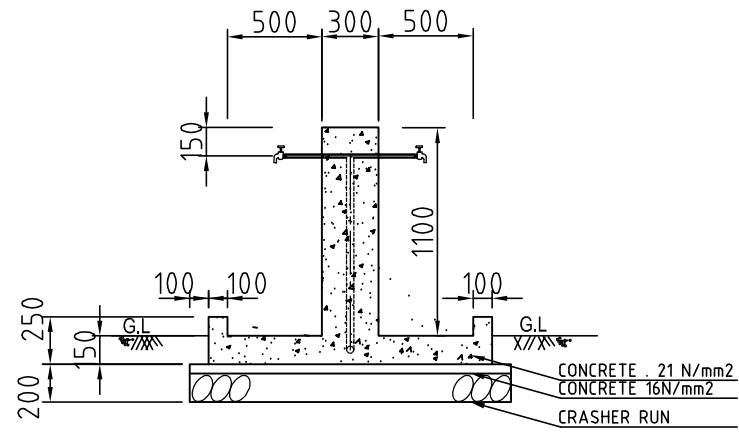
SCALE

DATE

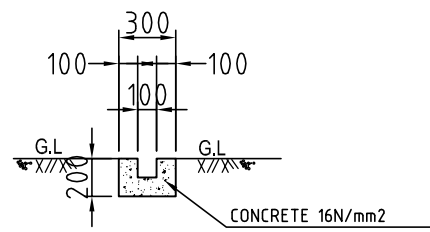
DRAWING NO.

JAN 2005

BD - 12

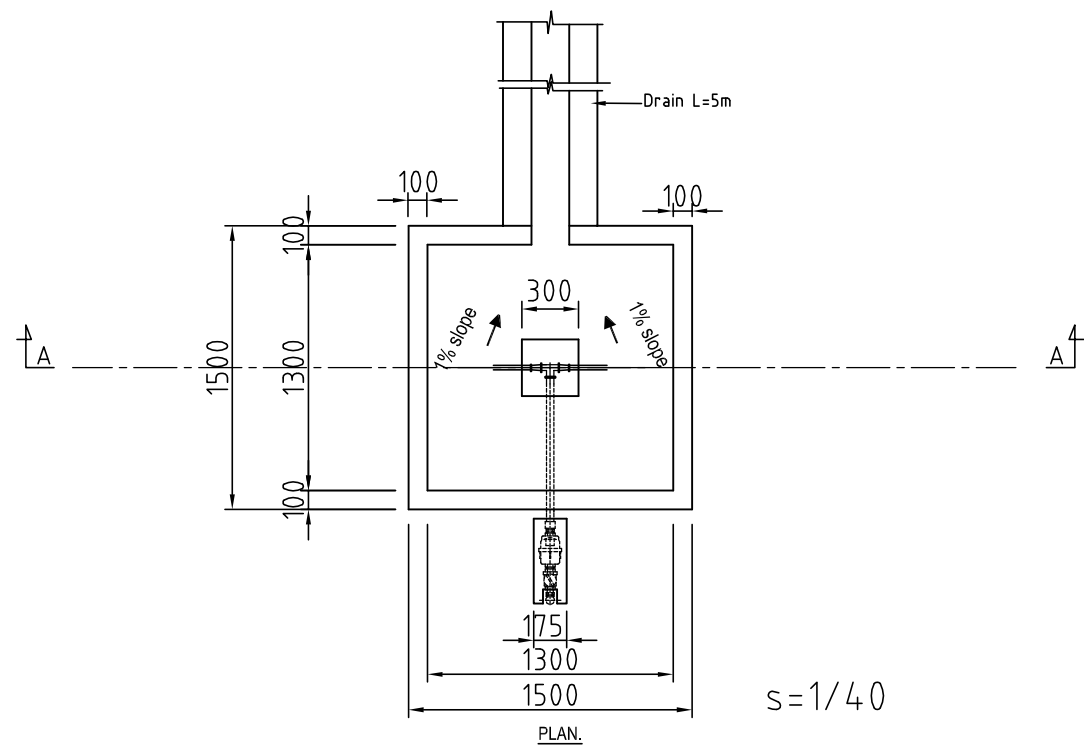


SECTION A-A



DRAIN

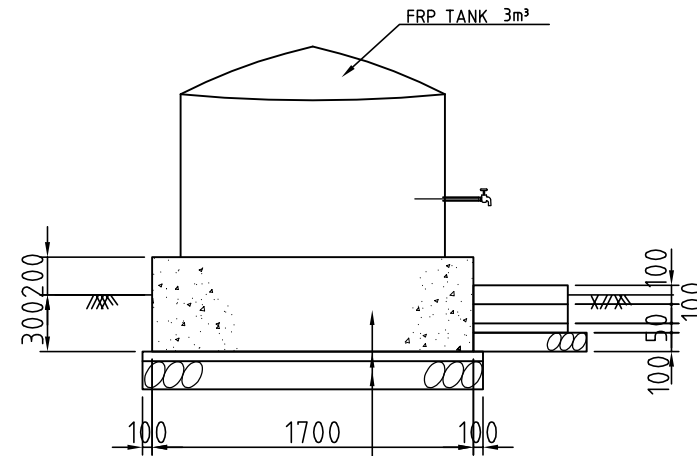
s=1/40



PLAN

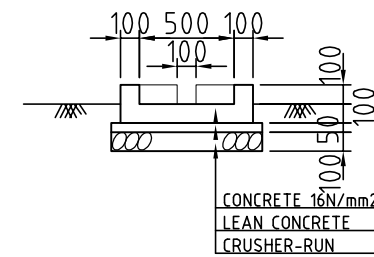
PUBLIC HYDRANT

s=1/40

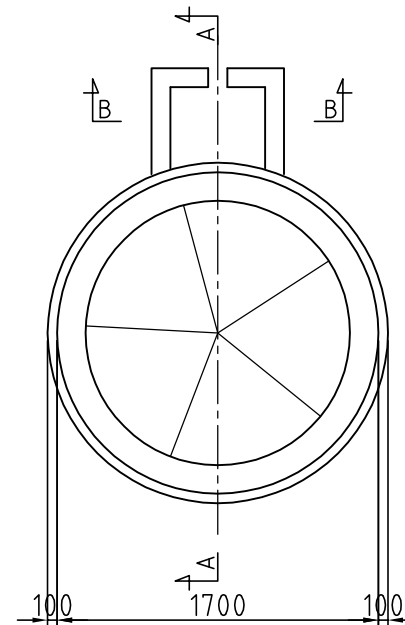


SECTION A-A

s=1/40



SECTION B-B



PUBLIC WATER TANK

s=1/40

THE BASIC DESIGN STUDY ON THE PROJECT  
FOR WATER SUPPLY IN GUNUNKIDUL REGENCY  
OF YOGYAKARTA SPECIAL TERRITORY  
IN THE REPUBLIC OF INDONESIA

JAPAN INTERNATIONAL COOPERATION AGENCY

 NIPPON KOEI CO., LTD.

DRAWING TITLE

Public Hydrant

SCALE

DATE

DRAWING NO.

JAN 2005

BD - 13