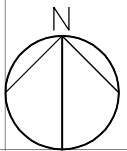
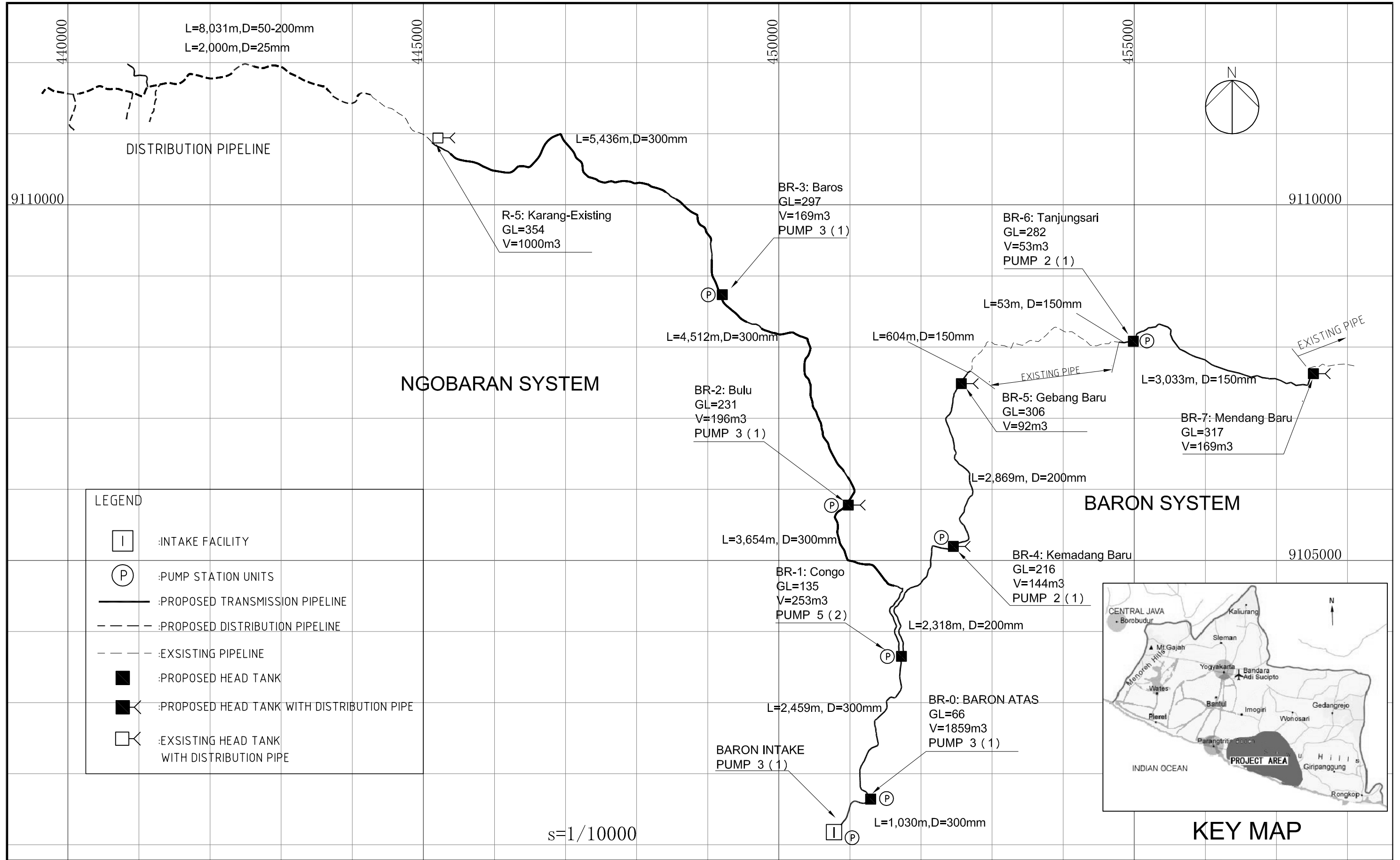


3-2-3 基本設計図

本調査で作成した基本設計図のリストは以下のとおりである。

表-3.4 基本設計図リスト

図番号	図面標題
BD-01	プロジェクト対象位置図
BD-02	取水施設図
BD-03	BR-0:配水池平面図
BD-04	BR-1:配水池平面図
BD-05	BR-2:配水池平面図
BD-06	BR-3:配水池平面図
BD-07	BR-4:配水池平面図
BD-08	BR-5:配水池平面図
BD-09	BR-6:配水池平面図
BD-10	BR-7:配水池平面図
BD-11	計画配水管敷設
BD-12	管理設および管理設詳細図
BD-13	公共水栓図



LEGEND

- :INTAKE FACILITY
- :PUMP STATION UNITS
- :PROPOSED TRANSMISSION PIPELINE
- :PROPOSED DISTRIBUTION PIPELINE
- :EXISTING PIPELINE
- :PROPOSED HEAD TANK
- K :PROPOSED HEAD TANK WITH DISTRIBUTION PIPE
- K :EXISTING HEAD TANK WITH DISTRIBUTION PIPE

BARON SYSTEM



KEY MAP

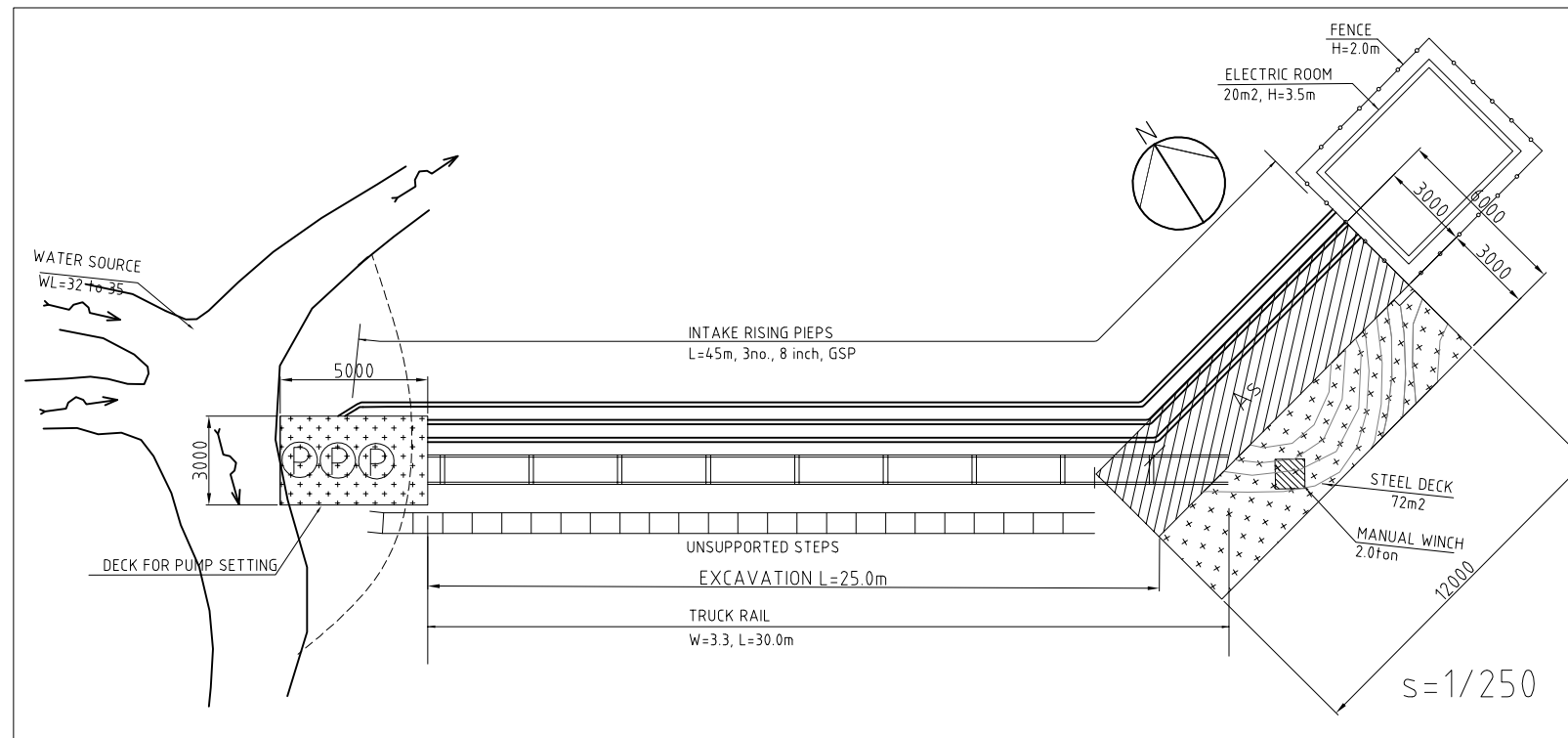
s=1/10000

THE BASIC DESIGN STUDY ON THE PROJECT
FOR WATER SUPPLY IN GUNUNKIDUL REGENCY
OF YOGYAKARTA SPECIAL TERRITORY
IN THE REPUBLIC OF INDONESIA

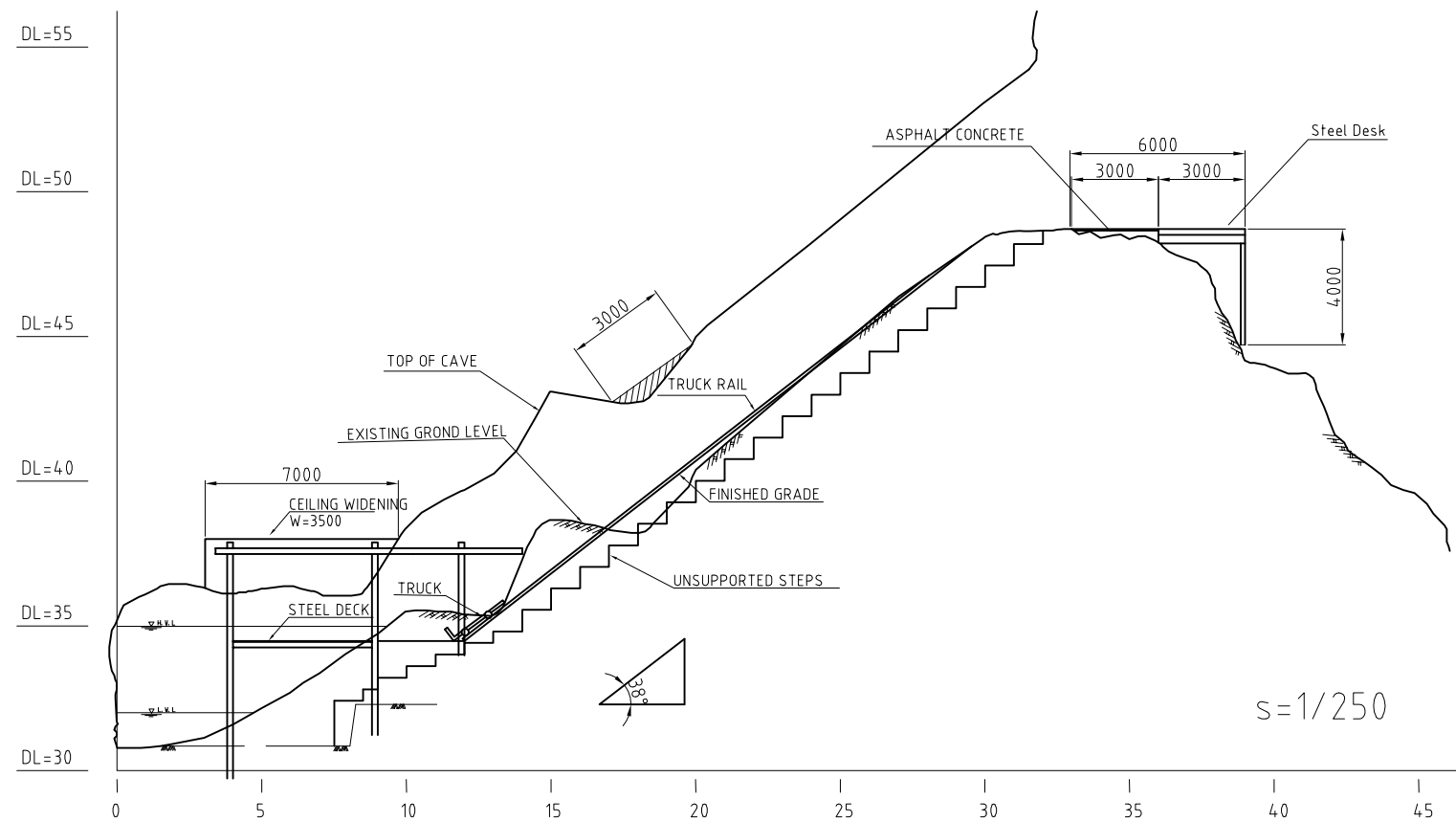
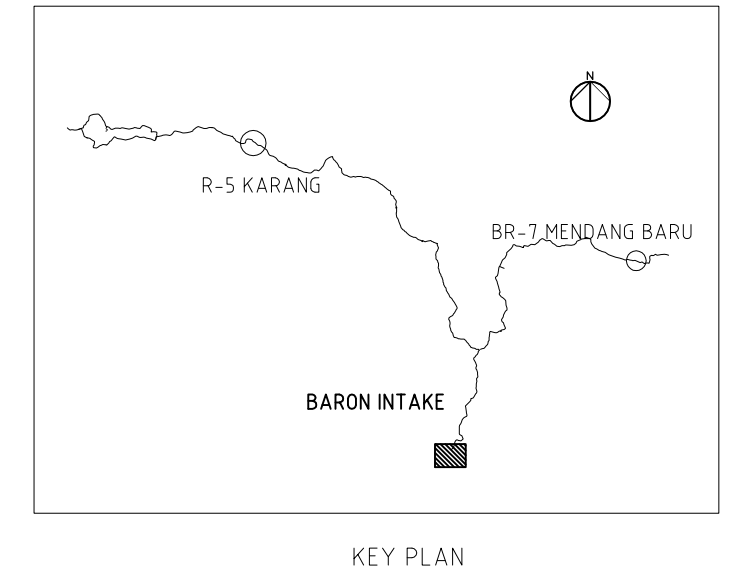
JAPAN INTERNATIONAL COOPERATION AGENCY

NIPPON KOEI CO.,LTD.

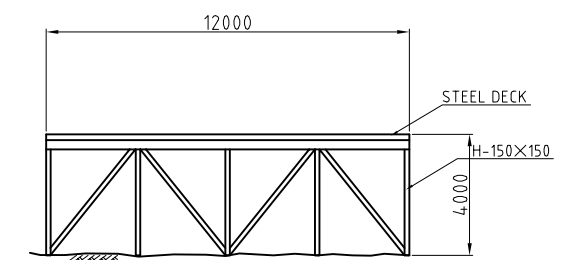
DRAWING TITLE		
プロジェクト対象位置		
SCALE	DATE	DRAWING NO.
	JAN 2005	BD - 01



PLAN OF INTAKE FACILITIES

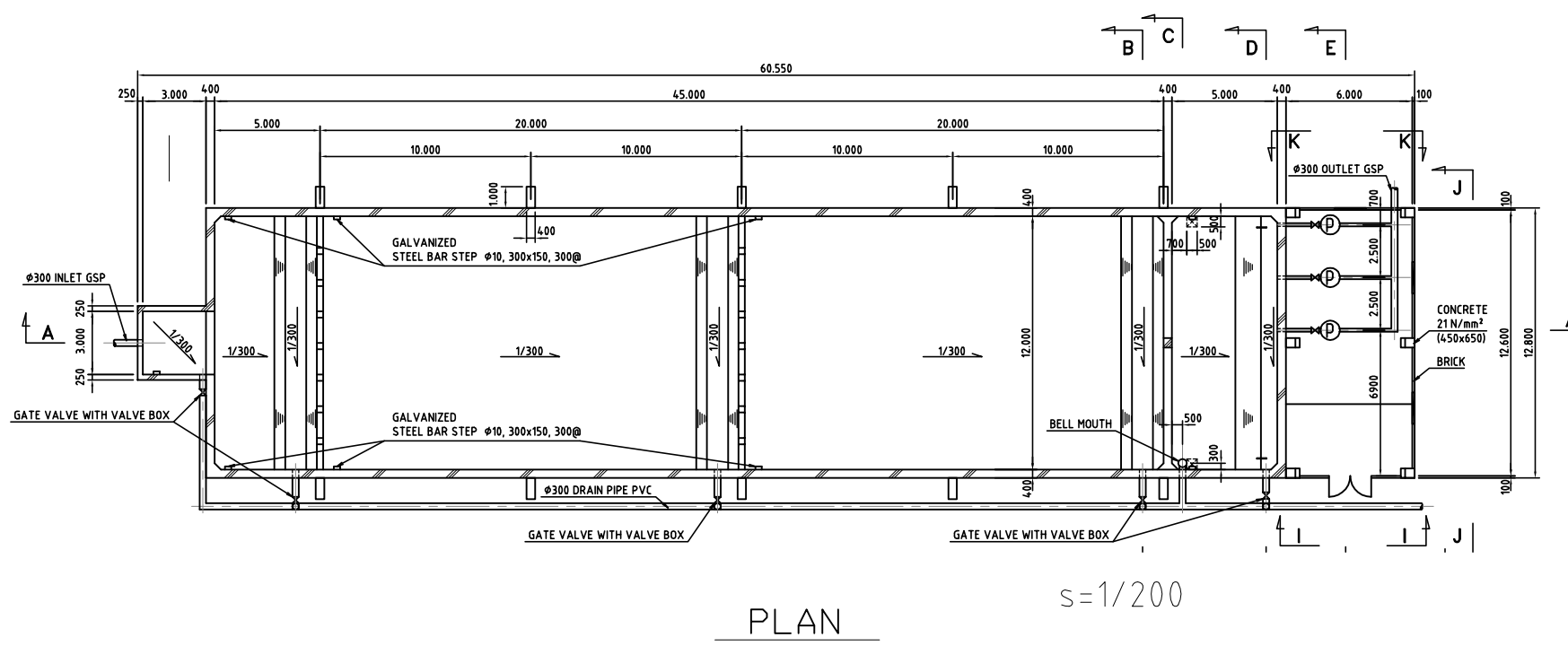


SECTION OF INTAKE FACILITIES



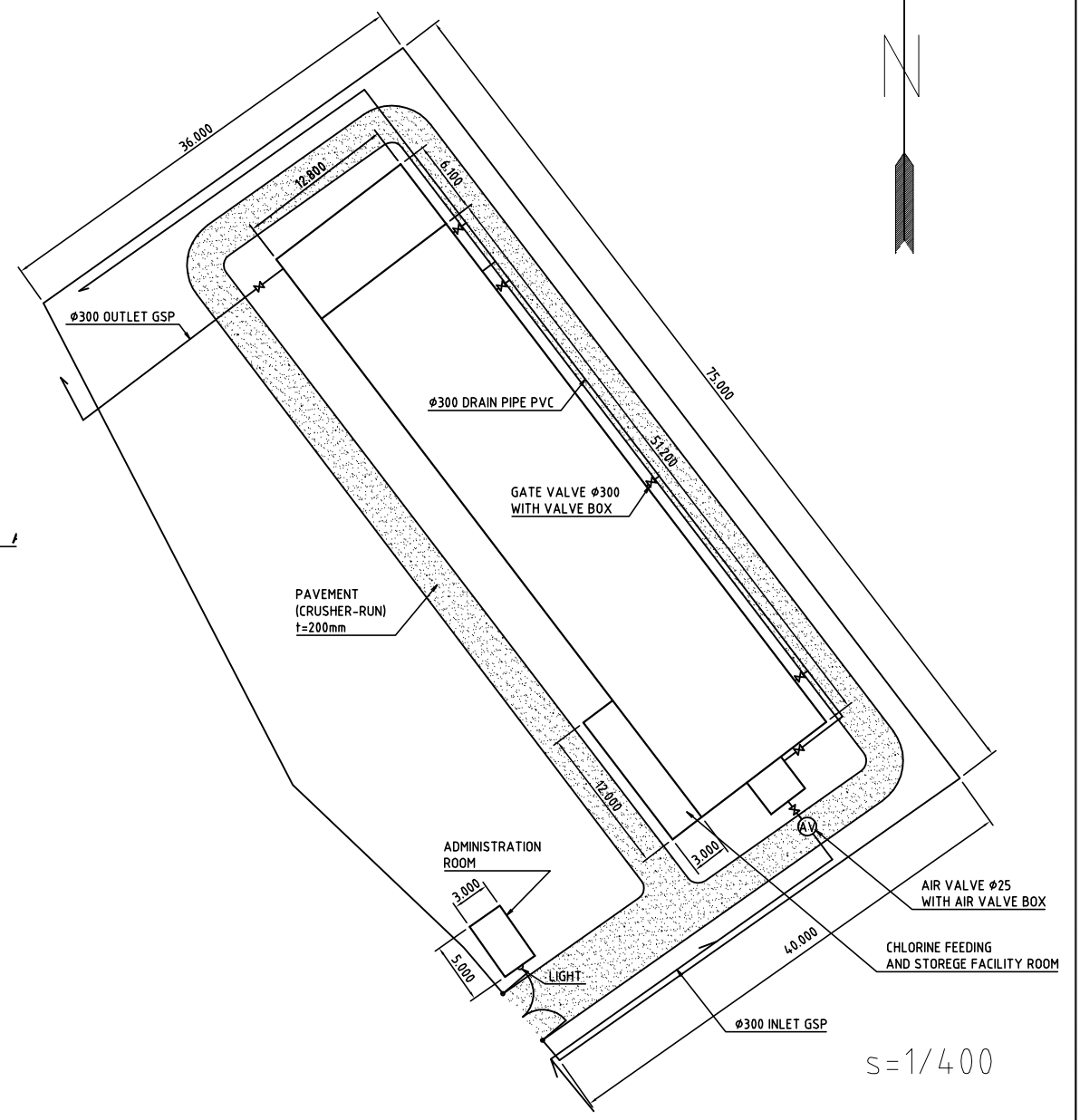
DETAIL A

s=1/200

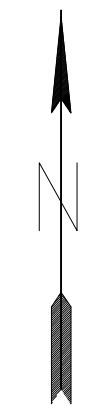


PLAN

s=1/200



GENERAL LAYOUT

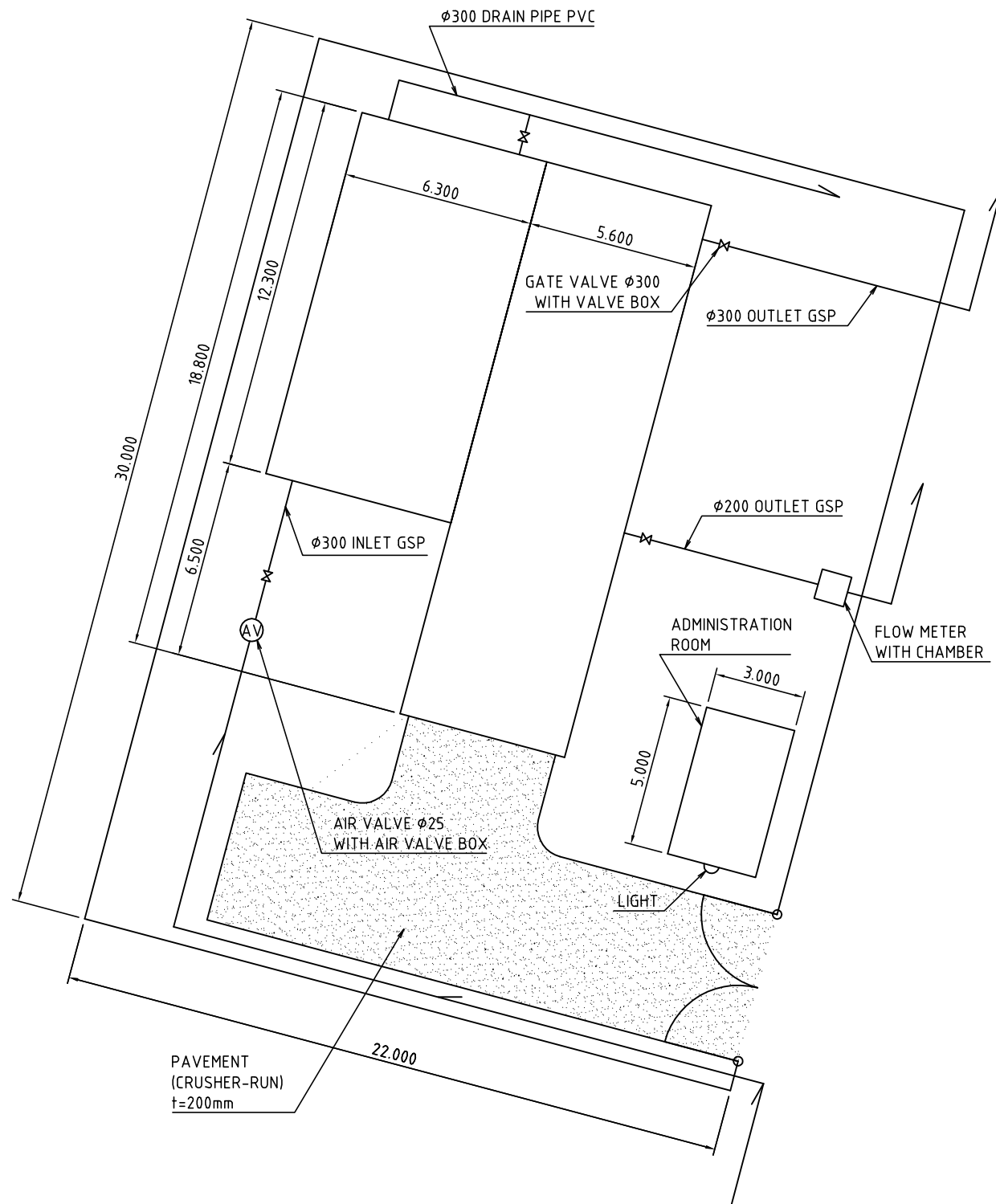


THE BASIC DESIGN STUDY ON THE PROJECT
FOR WATER SUPPLY IN GUNUNKIDUL REGENCY
OF YOGYAKARTA SPECIAL TERRITORY
IN THE REPUBLIC OF INDONESIA

JAPAN INTERNATIONAL COOPERATION AGENCY

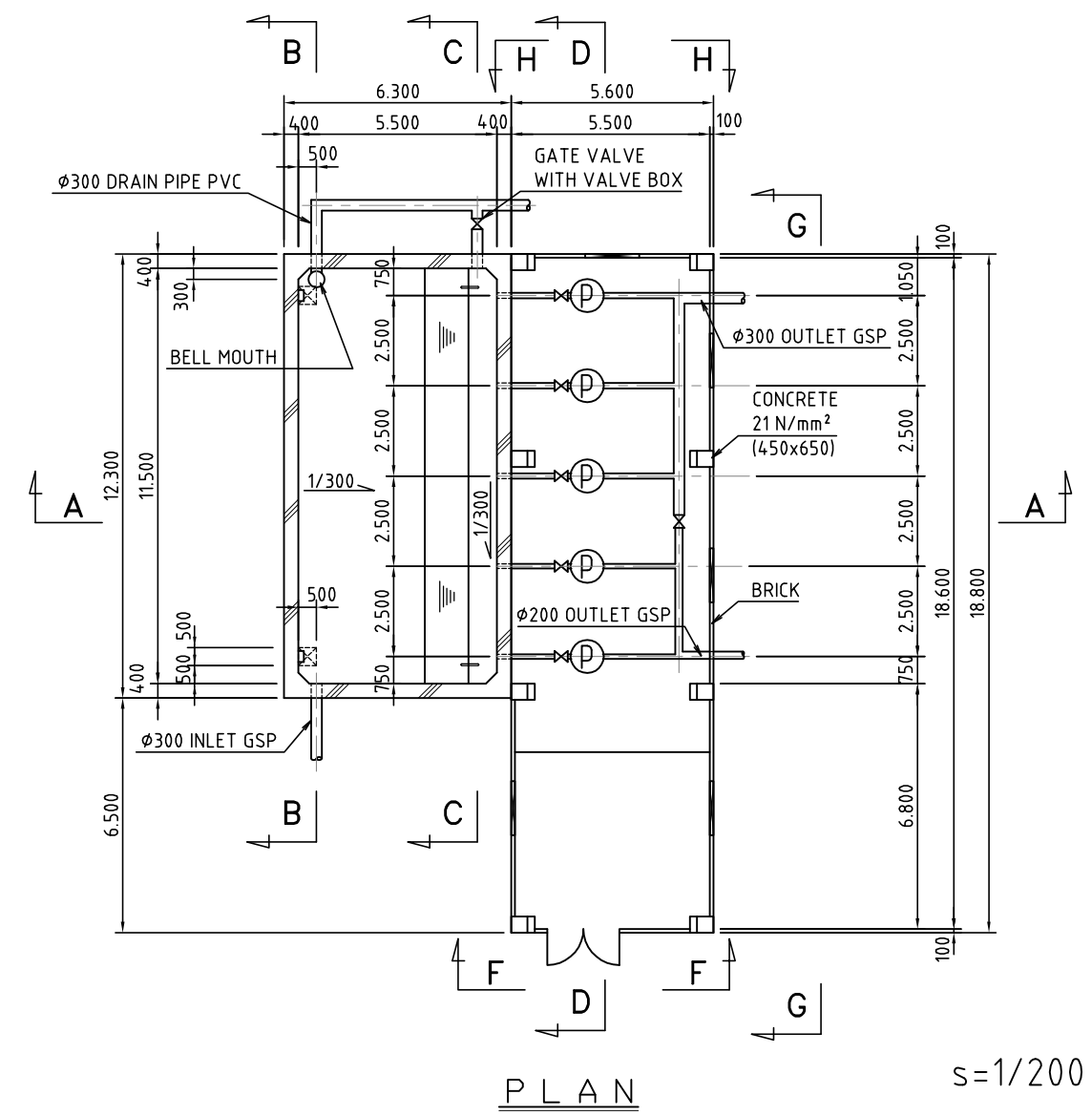
 NIPPON KOEI CO.,LTD.

DRAWING TITLE		
BR-0 配水池平面図		
SCALE	DATE	DRAWING NO.
	JAN 2005	BD - 03



GENERAL LAYOUT

s=1/200



PLAN

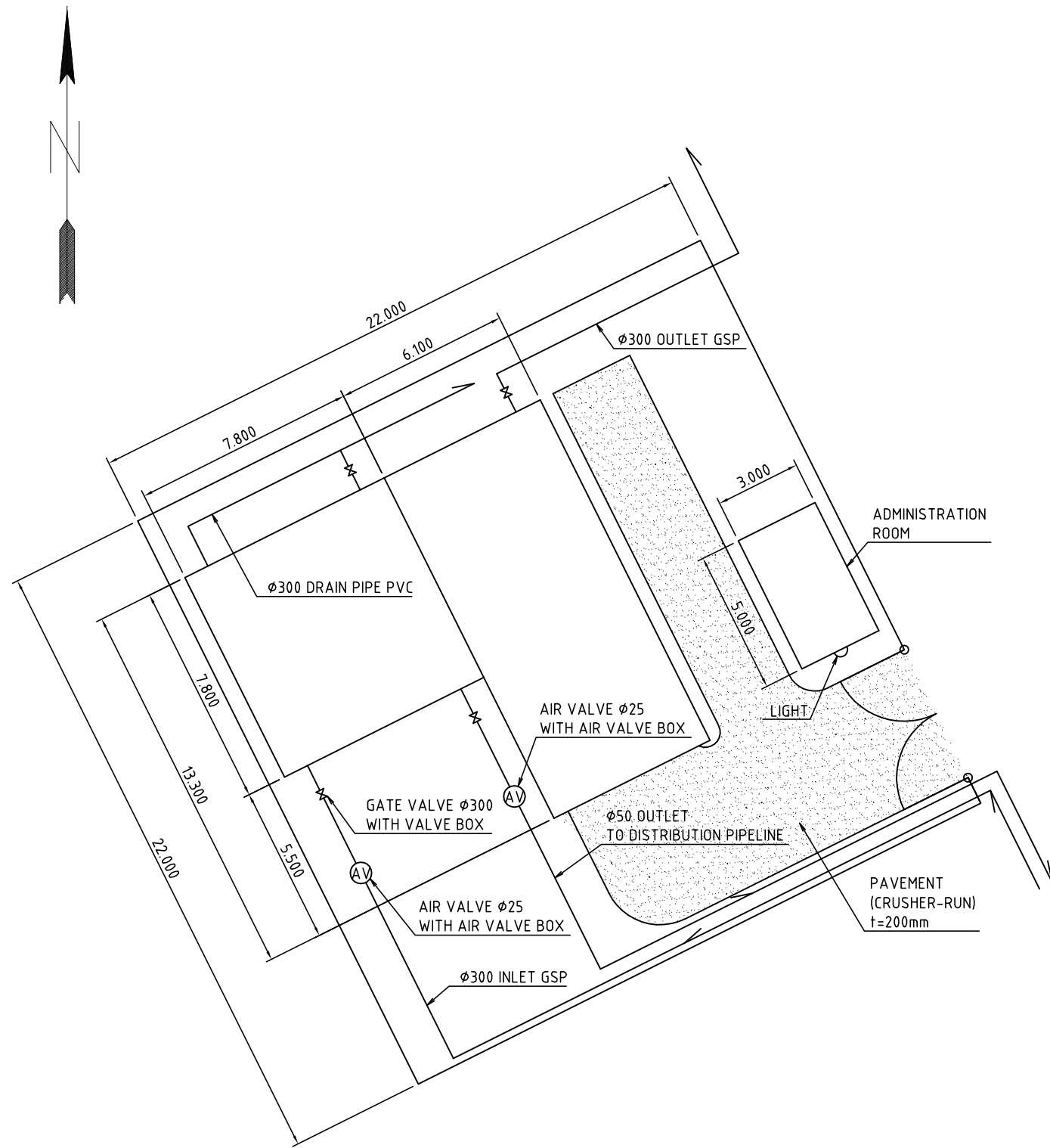
s=1/200

THE BASIC DESIGN STUDY ON THE PROJECT
FOR WATER SUPPLY IN GUNUNKIDUL REGENCY
OF YOGYAKARTA SPECIAL TERRITORY
IN THE REPUBLIC OF INDONESIA

JAPAN INTERNATIONAL COOPERATION AGENCY

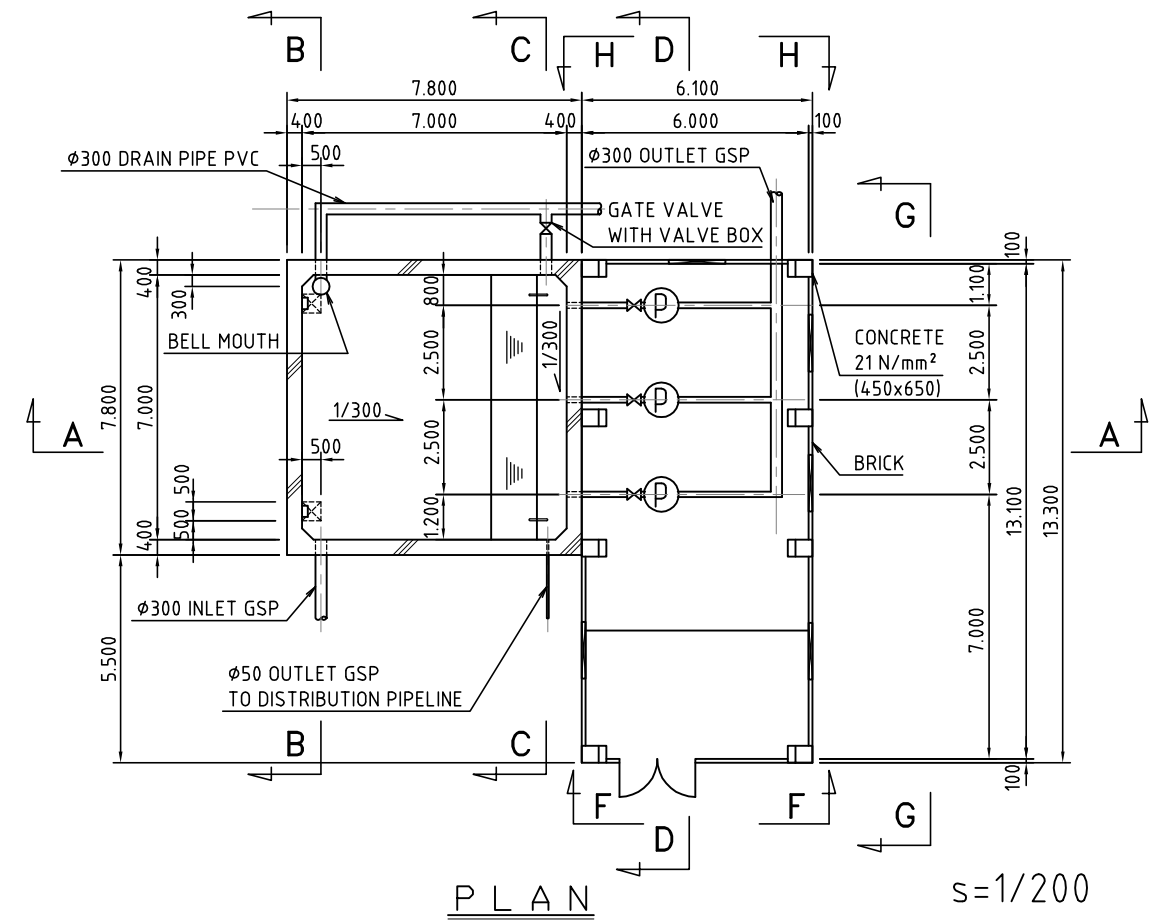
 NIPPON KOEI CO.,LTD.

DRAWING TITLE		
BR-1: 配水池平面図		
SCALE	DATE	DRAWING NO.
	JAN 2005	BD - 04



GENERAL LAYOUT

s=1/200



PLAN

s=1/200

THE BASIC DESIGN STUDY ON THE PROJECT
FOR WATER SUPPLY IN GUNUNKIDUL REGENCY
OF YOGYAKARTA SPECIAL TERRITORY
IN THE REPUBLIC OF INDONESIA

JAPAN INTERNATIONAL COOPERATION AGENCY

 NIPPON KOEI CO.,LTD.

DRAWING TITLE

BR-2: 配水池平面図

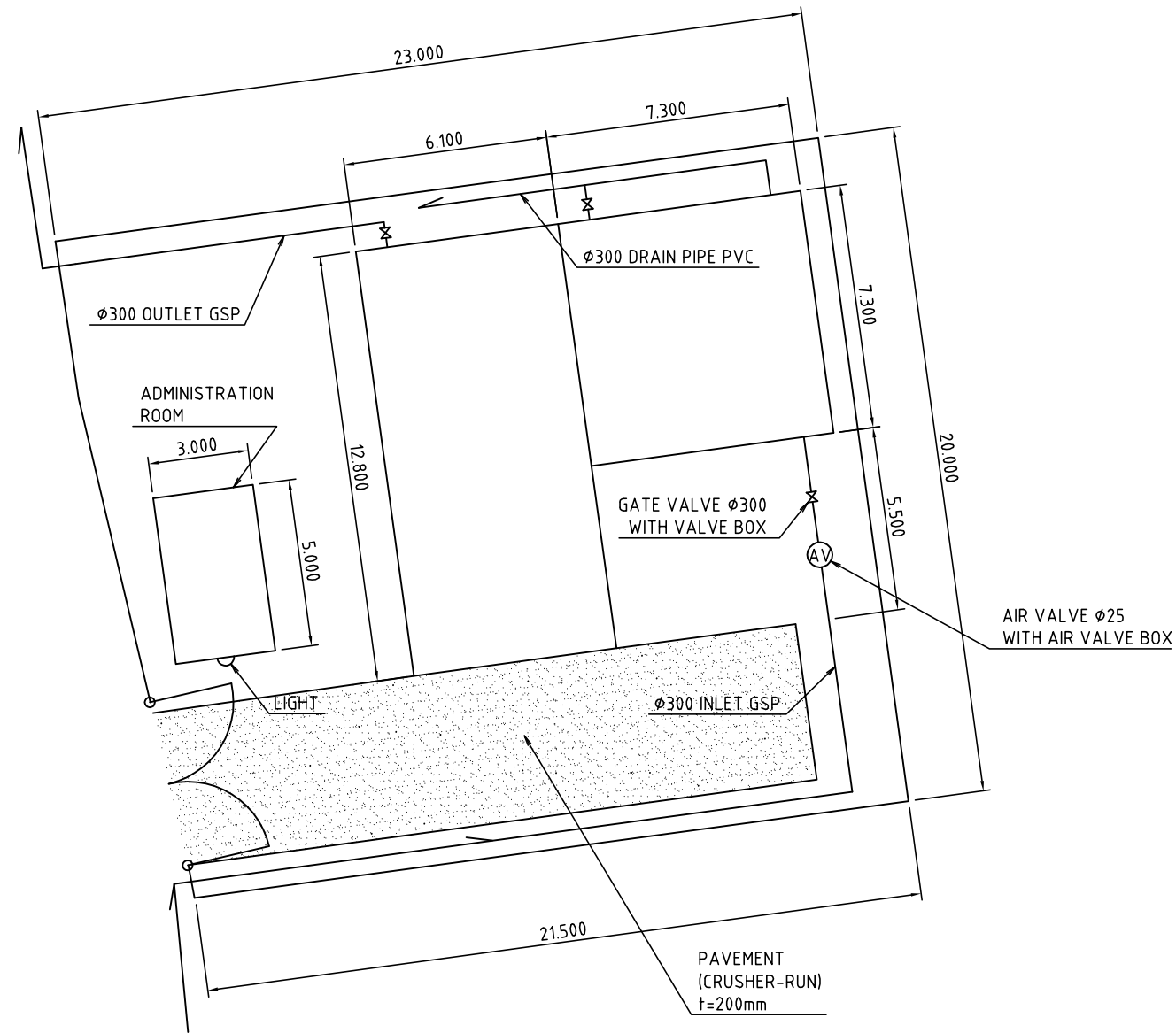
SCALE

DATE

DRAWING NO.

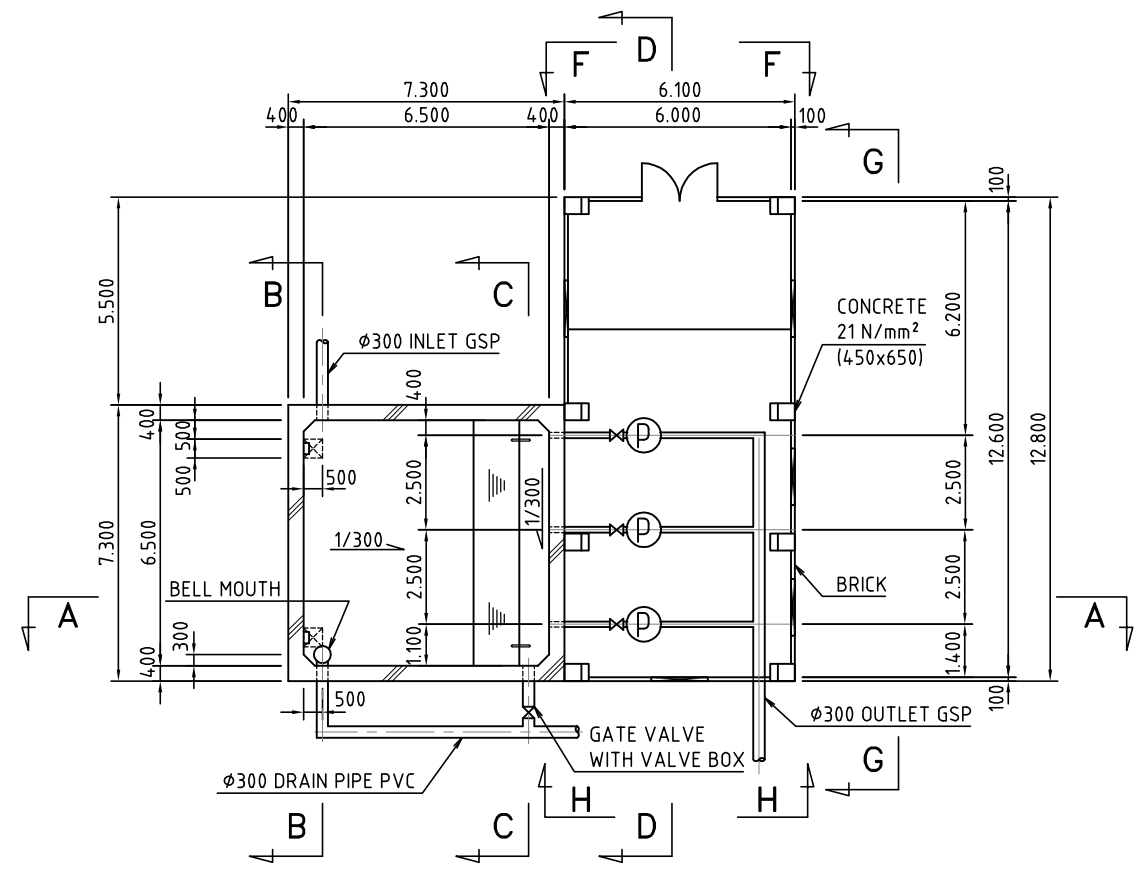
JAN 2005

BD - 05



GENERAL LAYOUT

s=1/200



PLAN

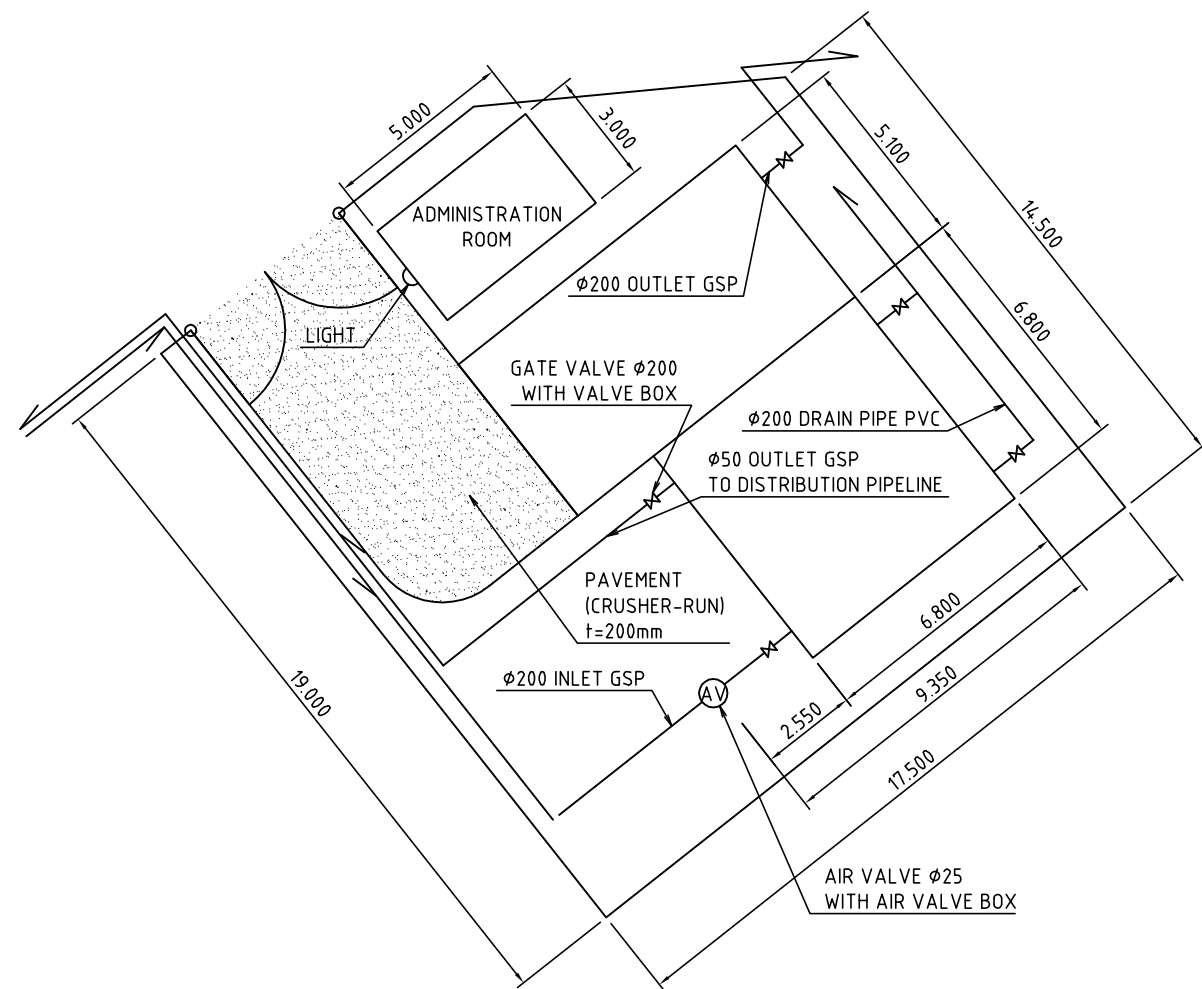
s=1/200

THE BASIC DESIGN STUDY ON THE PROJECT
FOR WATER SUPPLY IN GUNUNKIDUL REGENCY
OF YOGYAKARTA SPECIAL TERRITORY
IN THE REPUBLIC OF INDONESIA

JAPAN INTERNATIONAL COOPERATION AGENCY

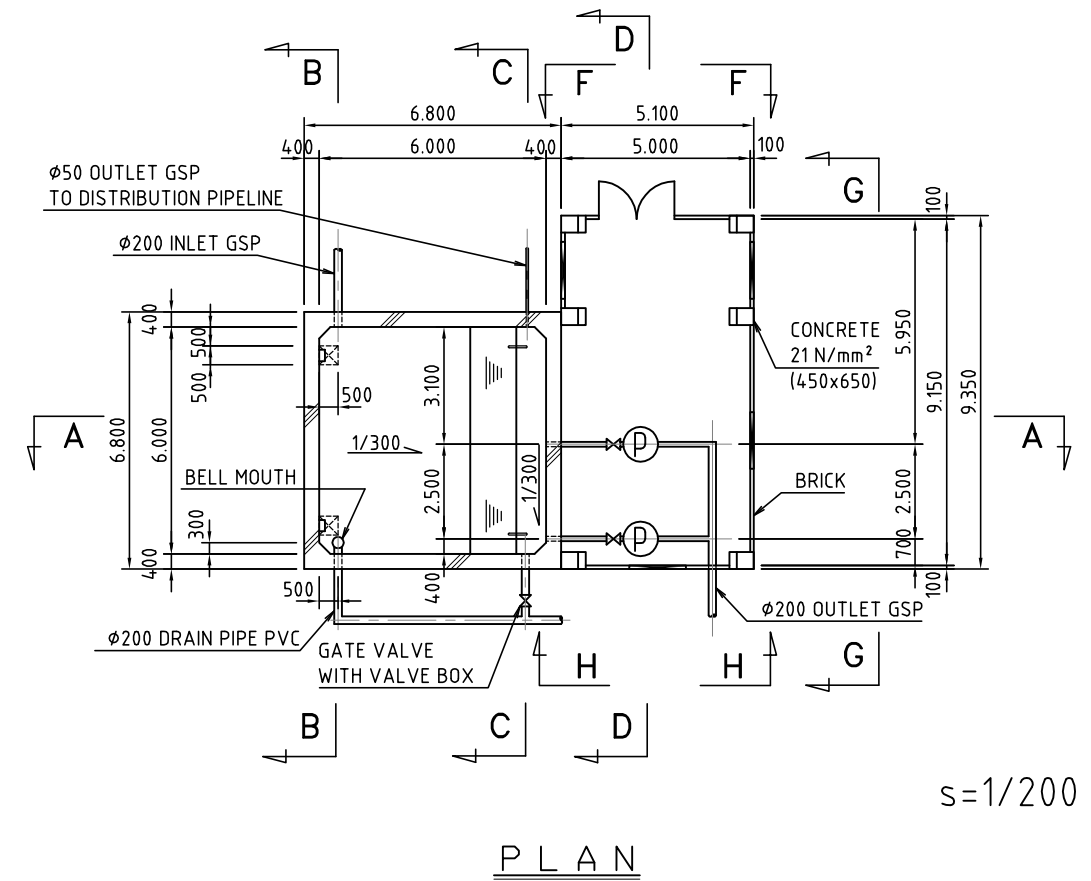
 **NIPPON KOEI CO.,LTD.**

DRAWING TITLE		
BR-3: 配水池平面図		
SCALE	DATE	DRAWING NO.
	JAN 2005	BD - 06



GENERAL LAYOUT

s=1/200



PLAN

s=1/200

THE BASIC DESIGN STUDY ON THE PROJECT
FOR WATER SUPPLY IN GUNUNKIDUL REGENCY
OF YOGYAKARTA SPECIAL TERRITORY
IN THE REPUBLIC OF INDONESIA

JAPAN INTERNATIONAL COOPERATION AGENCY

 **NIPPON KOEI CO.,LTD.**

DRAWING TITLE

BR4: 配水池平面図

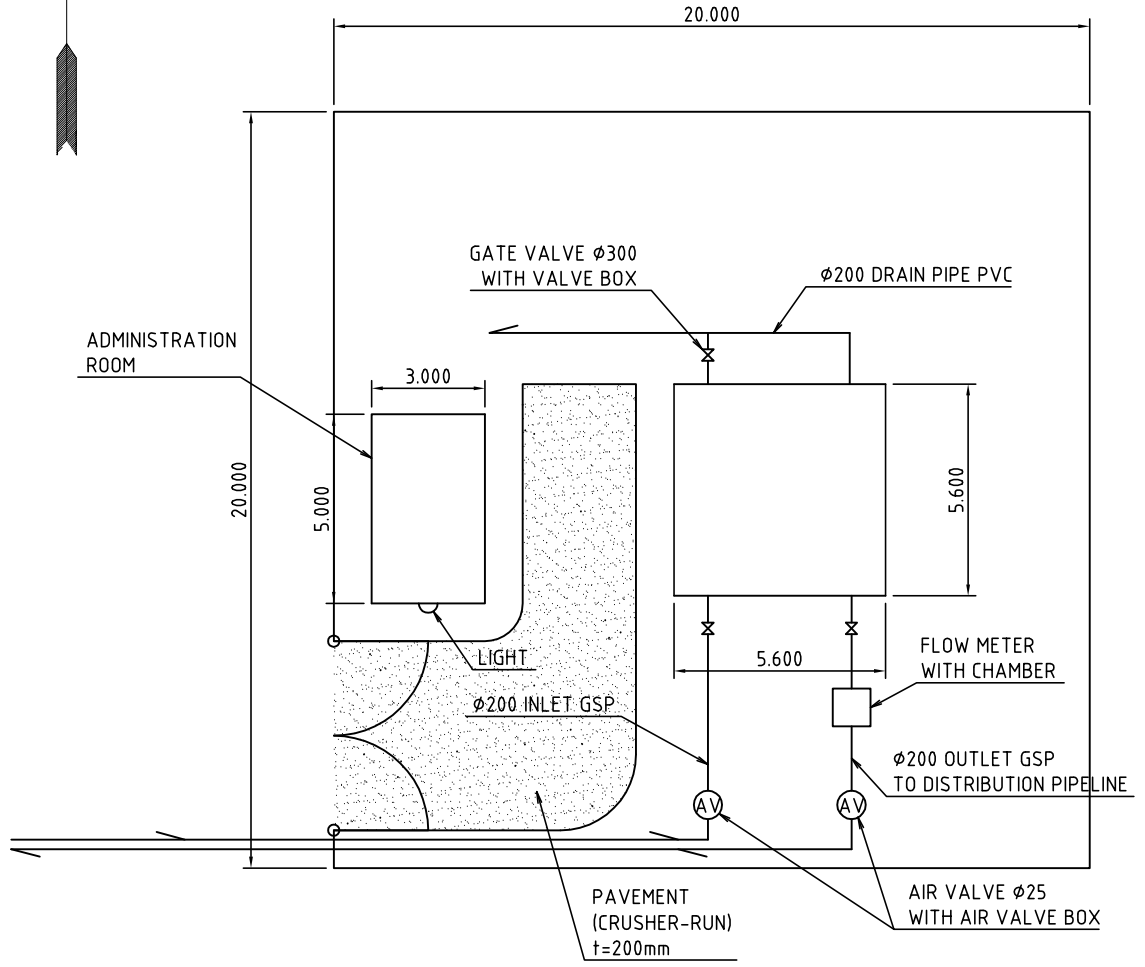
SCALE

DATE

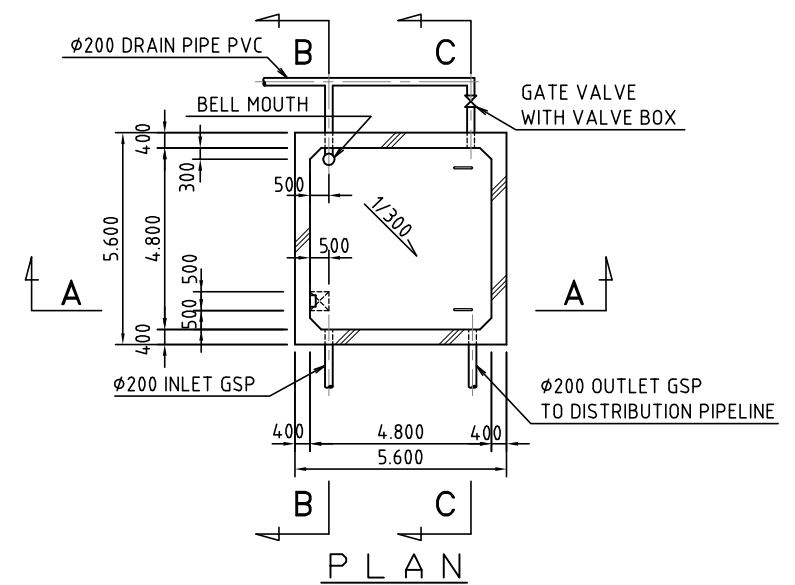
JAN 2005

DRAWING NO.

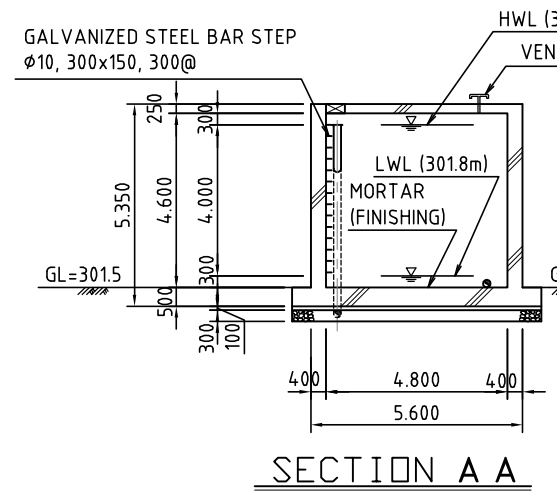
BD - 07



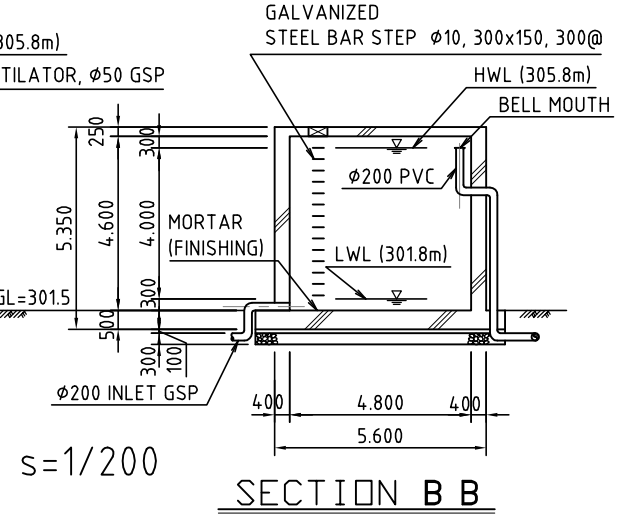
GENERAL LAYOUT



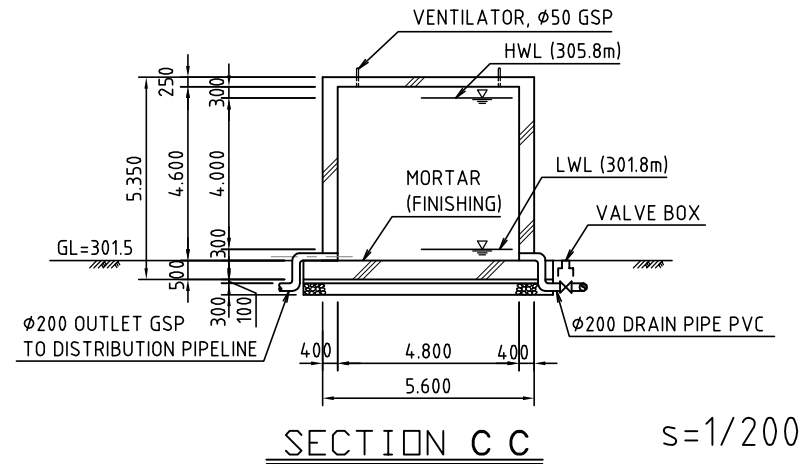
PLAN



SECTION A A



SECTION B B



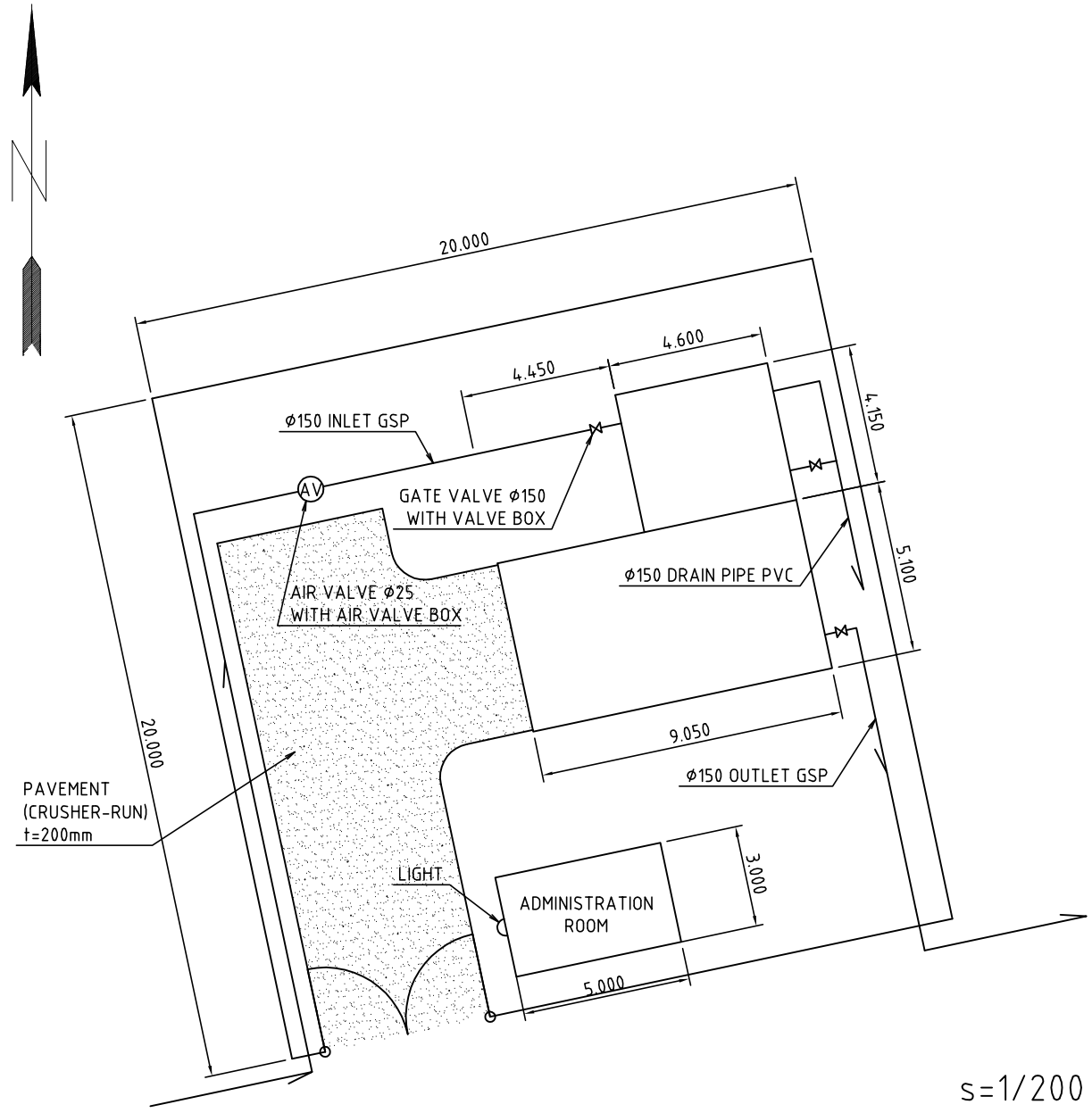
SECTION C C

THE BASIC DESIGN STUDY ON THE PROJECT
FOR WATER SUPPLY IN GUNUNKIDUL REGENCY
OF YOGYAKARTA SPECIAL TERRITORY
IN THE REPUBLIC OF INDONESIA

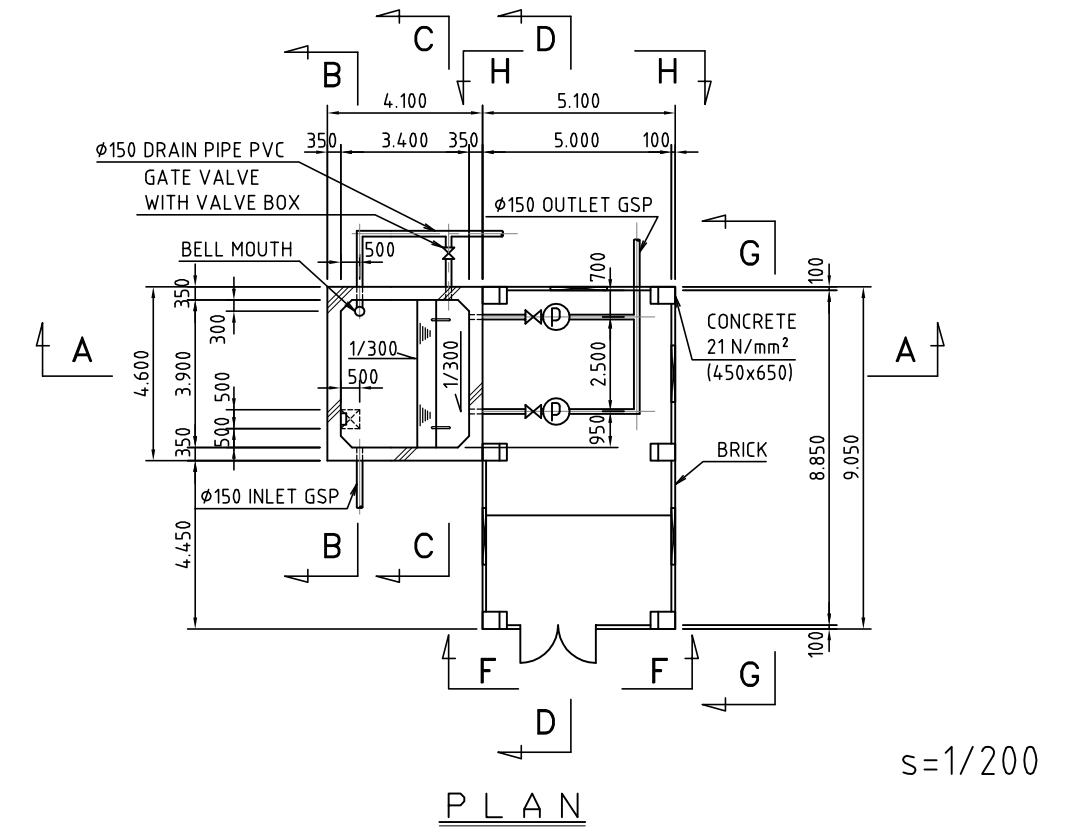
JAPAN INTERNATIONAL COOPERATION AGENCY

NIPPON KOEI CO.,LTD.

DRAWING TITLE		
BR-5: 配水池平面図		
SCALE	DATE	DRAWING NO.
	JAN 2005	BD - 08



GENERAL LAYOUT



PLAN

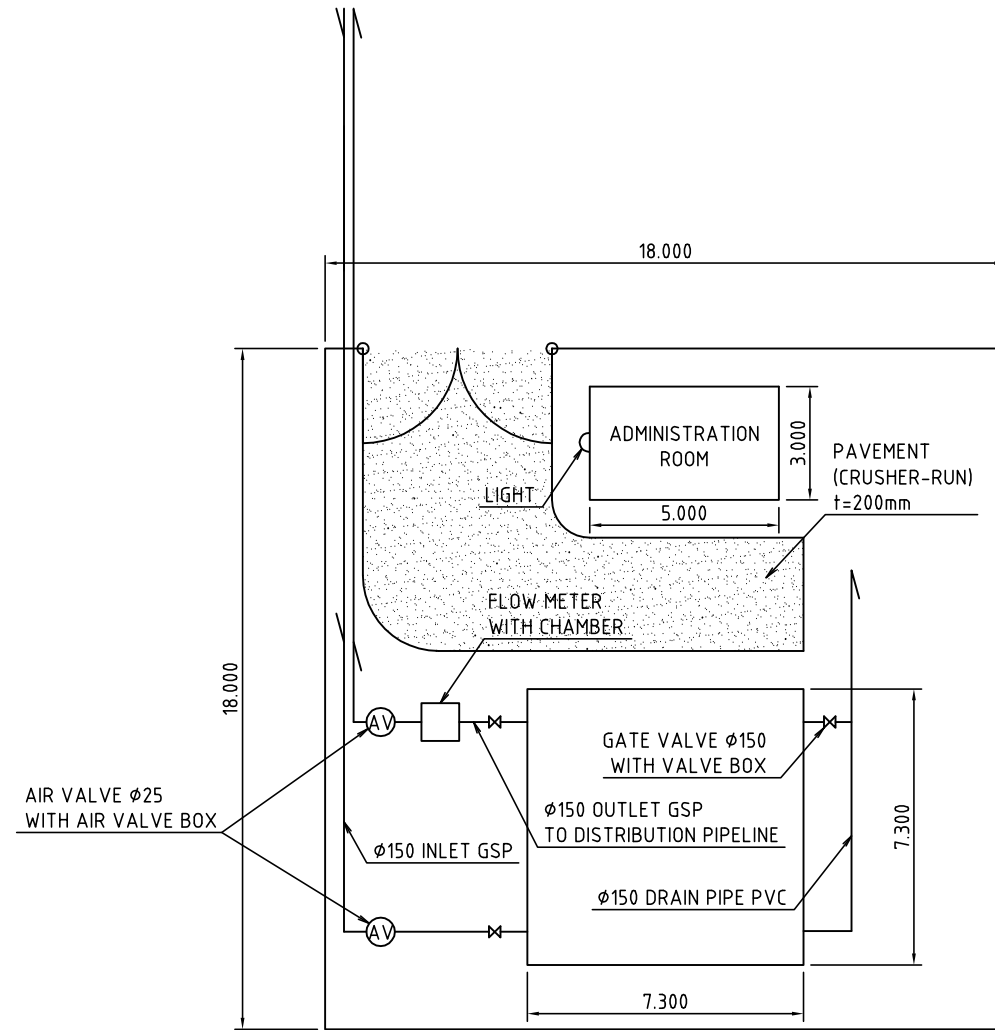
41

THE BASIC DESIGN STUDY ON THE PROJECT
FOR WATER SUPPLY IN GUNUNKIDUL REGENCY
OF YOGYAKARTA SPECIAL TERRITORY
IN THE REPUBLIC OF INDONESIA

JAPAN INTERNATIONAL COOPERATION AGENCY

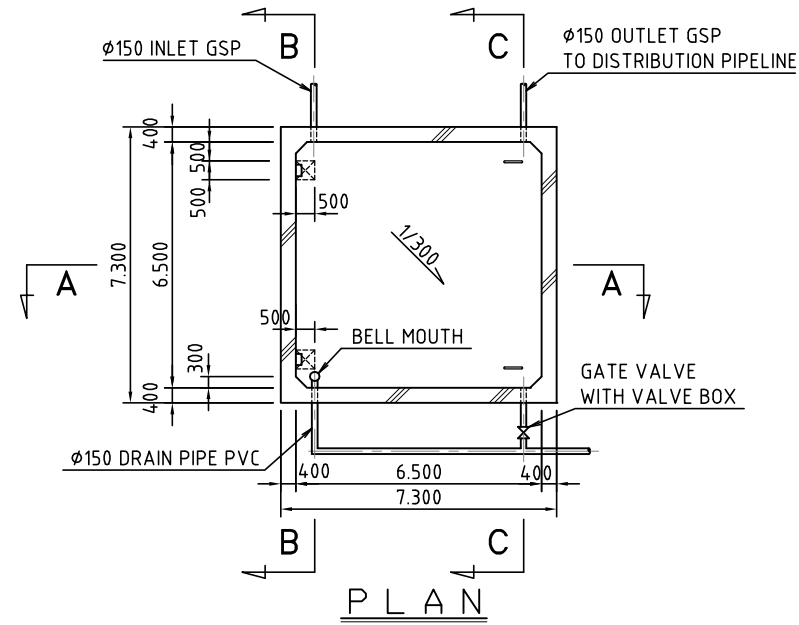
 **NIPPON KOEI CO.,LTD.**

DRAWING TITLE		
BR-6: 配水池平面図		
SCALE	DATE	DRAWING NO.
	JAN 2005	BD - 09



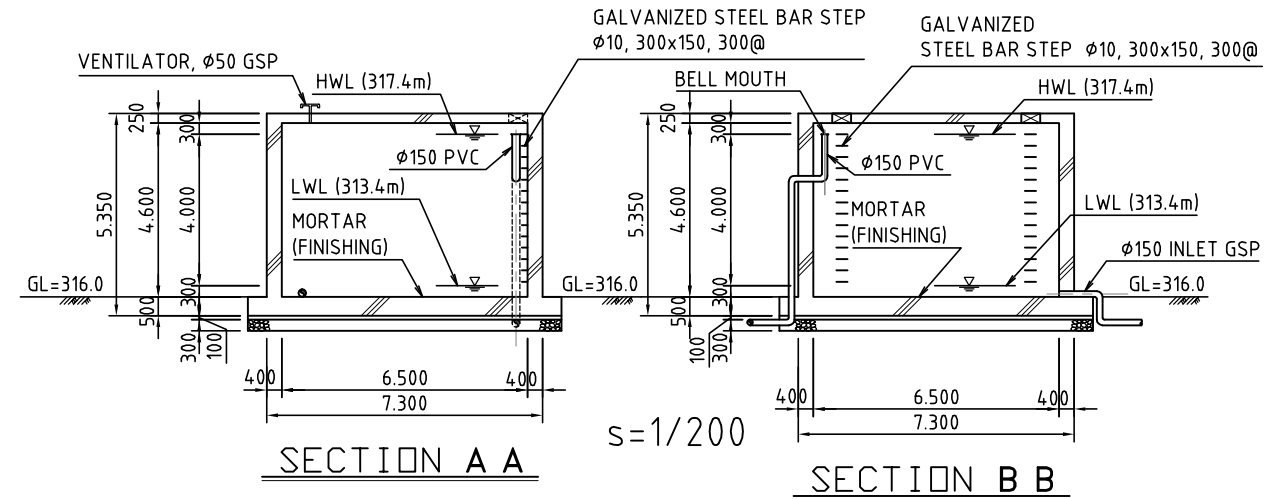
GENERAL LAYOUT

s=1/200



PLAN

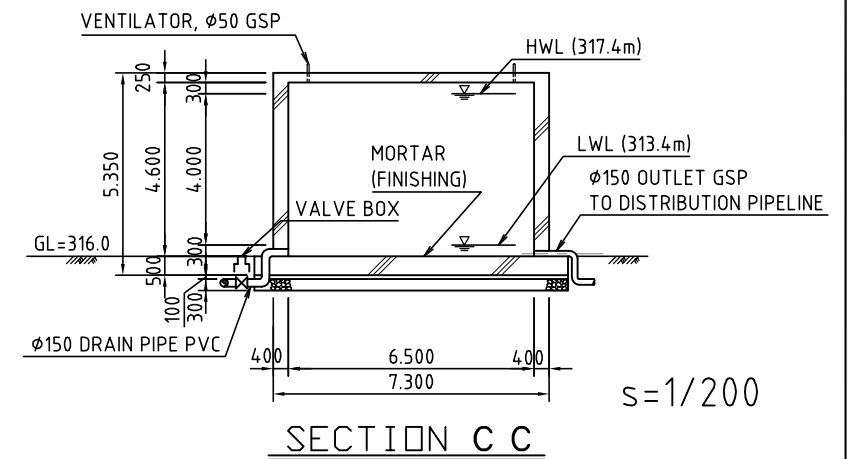
s=1/200



SECTION A A

SECTION B B

s=1/200



SECTION C C

s=1/200

THE BASIC DESIGN STUDY ON THE PROJECT
FOR WATER SUPPLY IN GUNUNKIDUL REGENCY
OF YOGYAKARTA SPECIAL TERRITORY
IN THE REPUBLIC OF INDONESIA

JAPAN INTERNATIONAL COOPERATION AGENCY

NIPPON KOEI CO.,LTD.

DRAWING TITLE

BR-7: 配水池平面図

SCALE

DATE

DRAWING NO.

JAN 2005

BD - 10