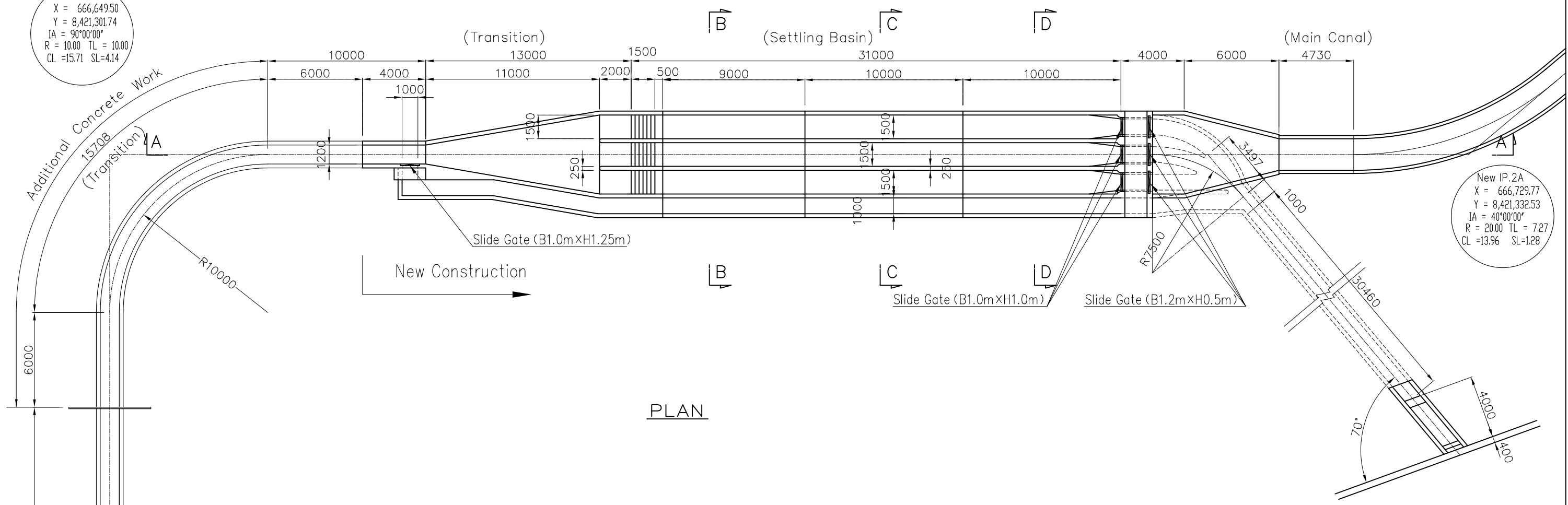
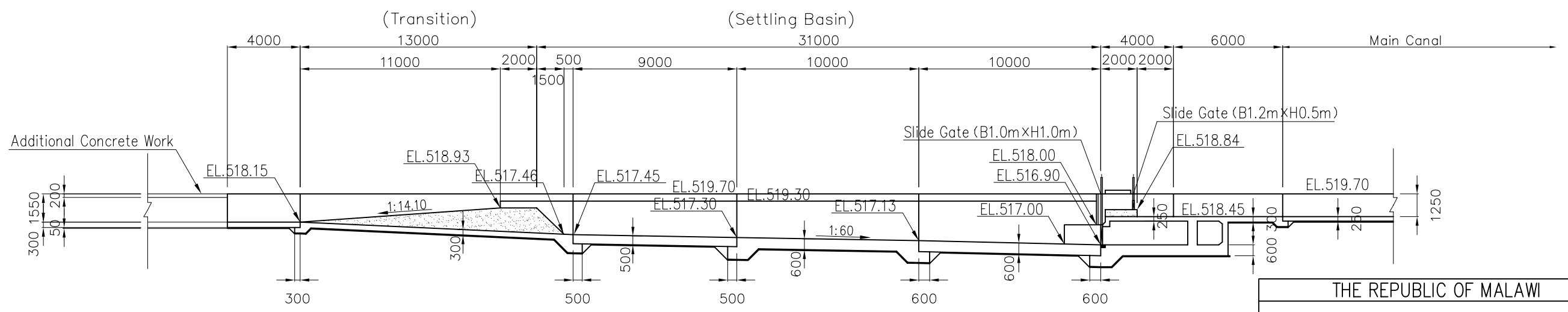


IP.1
 X = 666,649.50
 Y = 8,421,301.74
 IA = 90°00'00"
 R = 10.00 TL = 10.00
 CL = 15.71 SL = 4.14

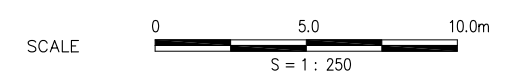
New IP.2A
 X = 666,729.77
 Y = 8,421,332.53
 IA = 40°00'00"
 R = 20.00 TL = 7.27
 CL = 13.96 SL = 1.28



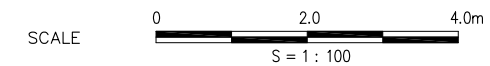
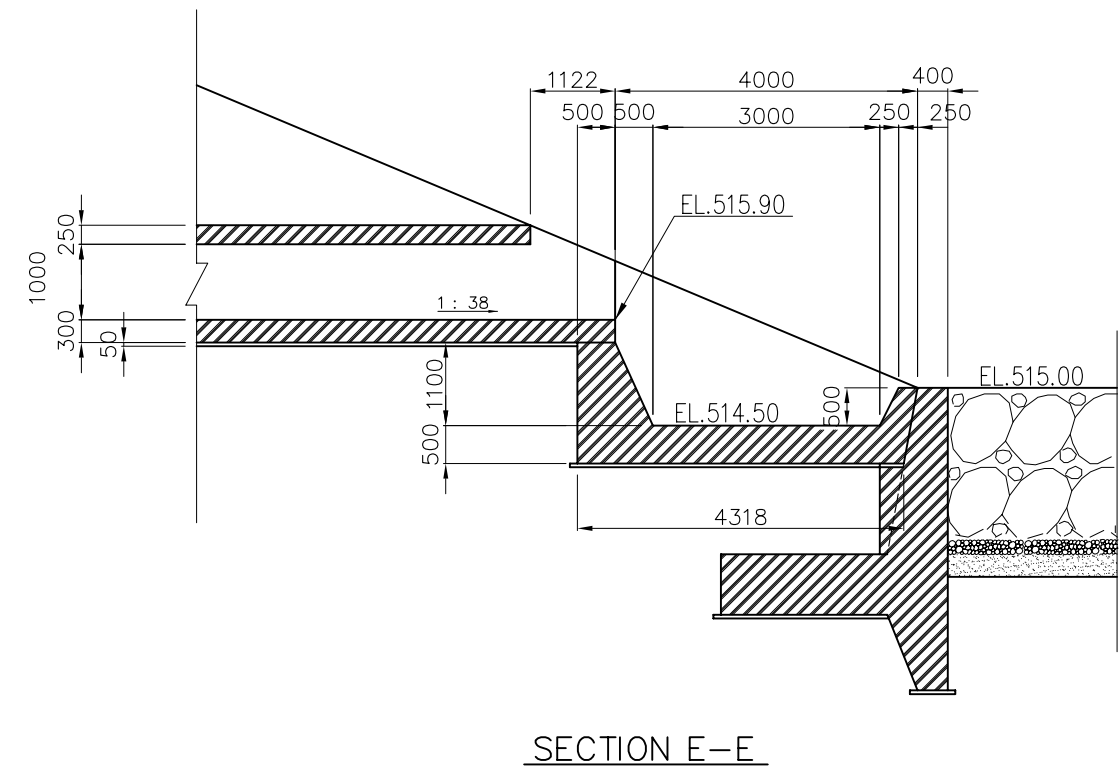
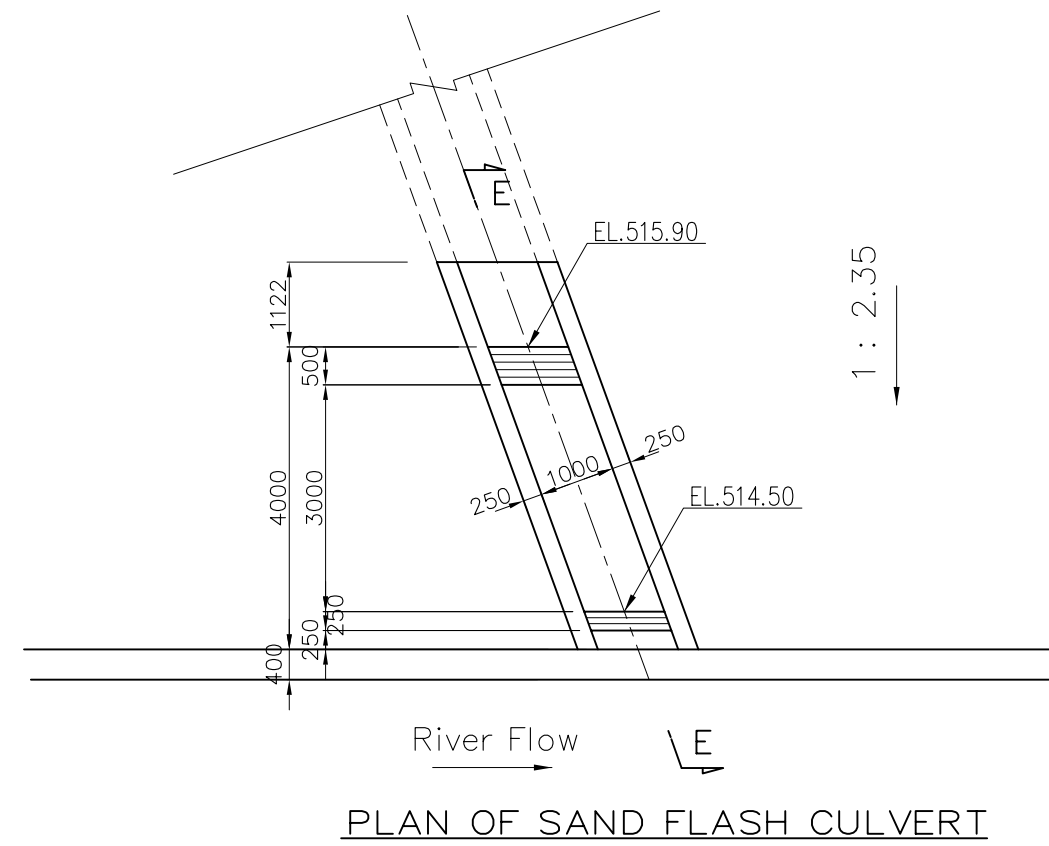
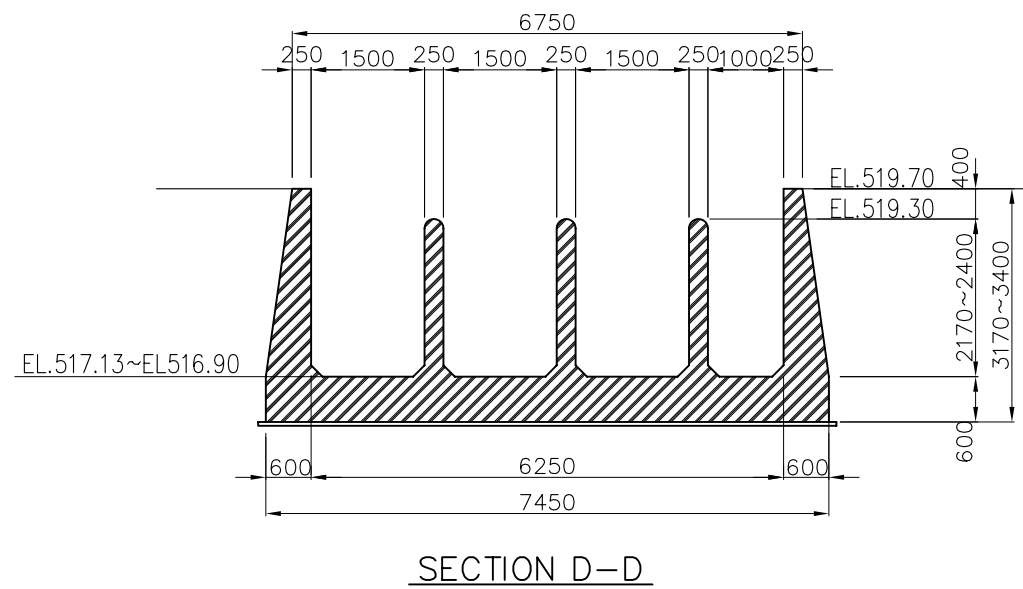
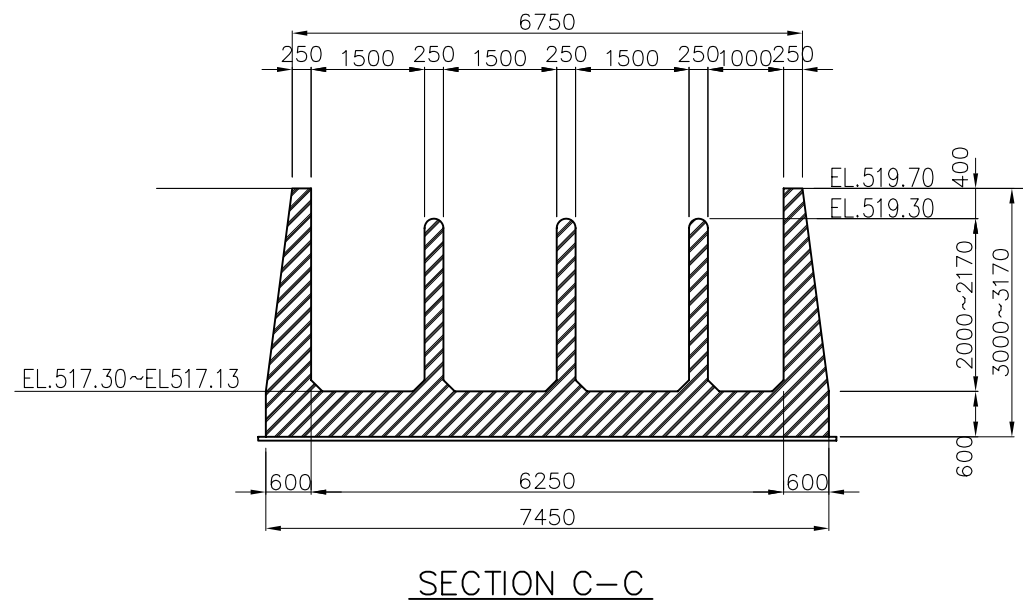
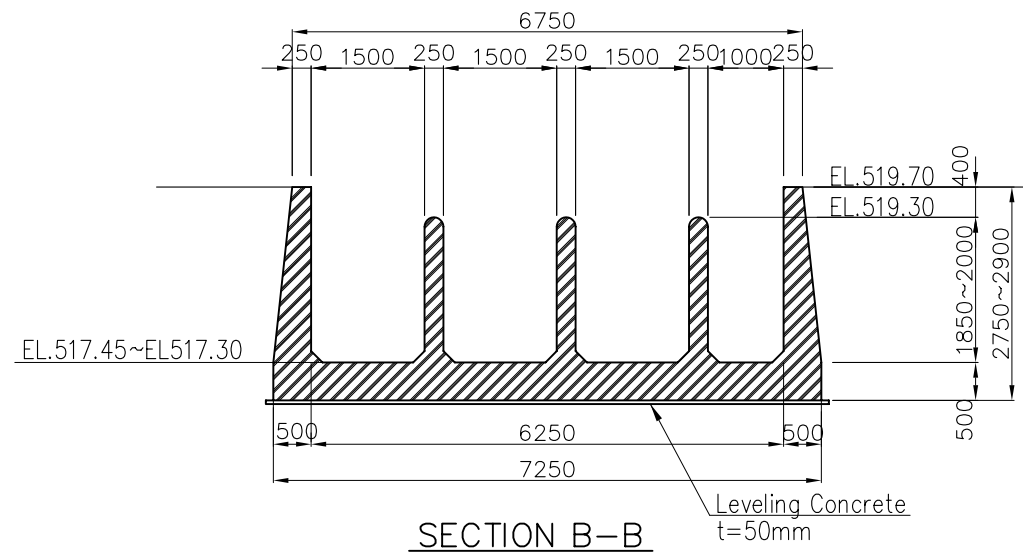
PLAN



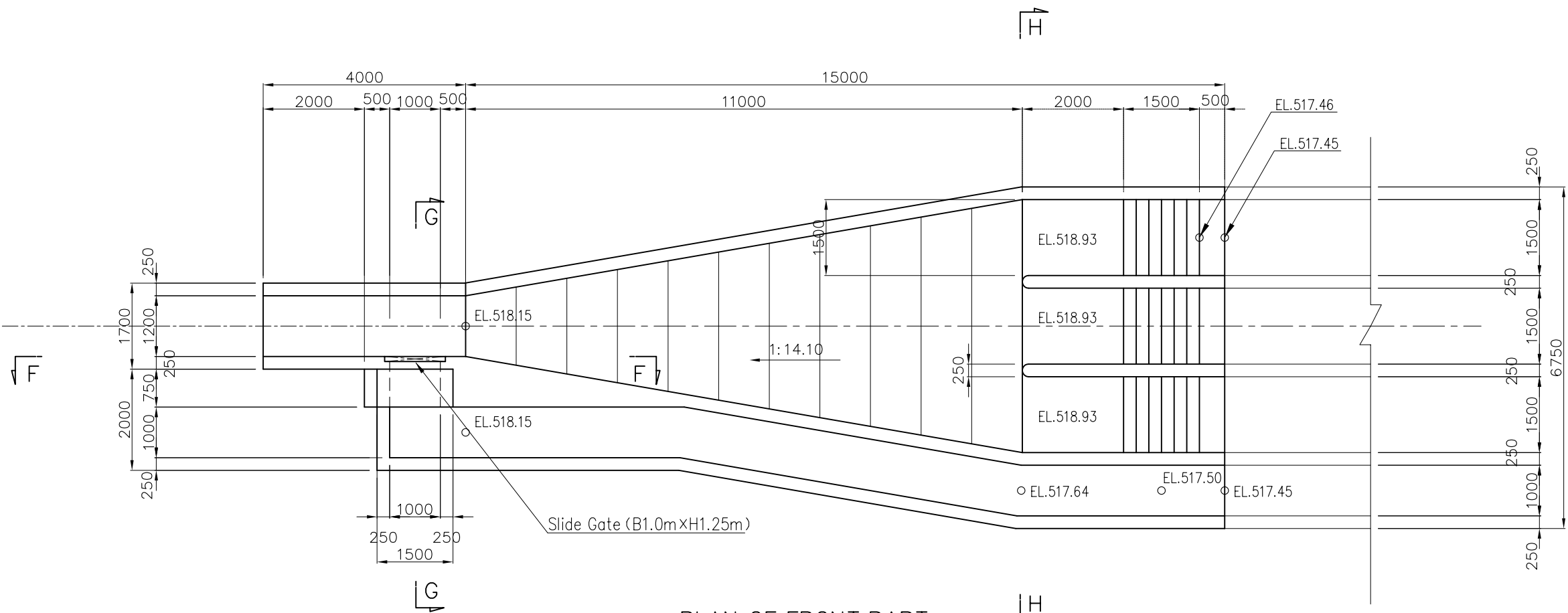
SECTION A-A



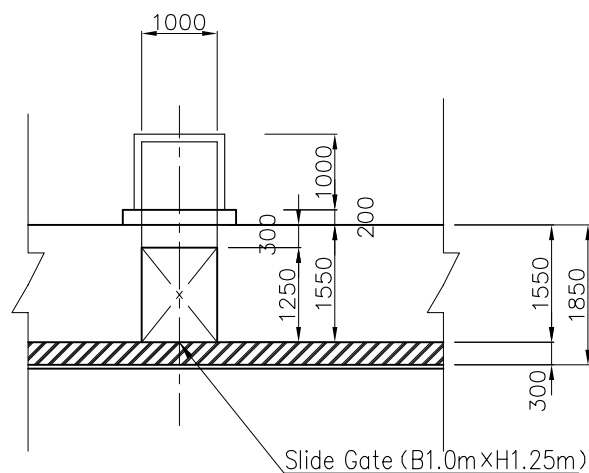
THE REPUBLIC OF MALAWI	
THE PROJECT FOR REHABILITATION OF BWANJE VALLEY IRRIGATION SYSTEM	
TITLE OF DRAWING	
PLAN AND PROFILE OF SETTLING BASIN	
DRAWING NO.	SB-01
NIPPON KOEI CO., LTD.	



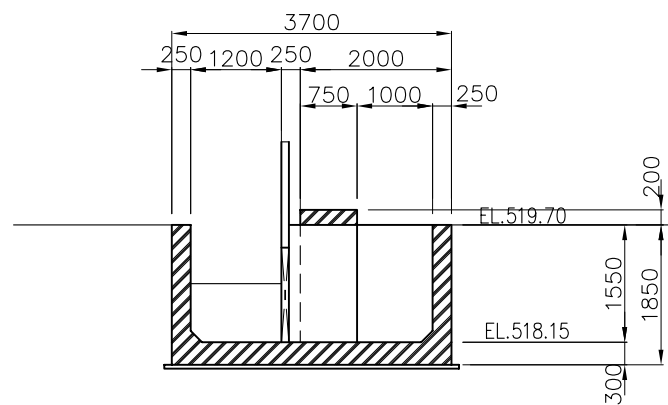
THE REPUBLIC OF MALAWI	
THE PROJECT FOR REHABILITATION OF BWANJE VALLEY IRRIGATION SYSTEM	
TITLE OF DRAWING	
SECTION (1/3)	
DRAWING NO.	SB-02
NIPPON KOEI CO., LTD.	



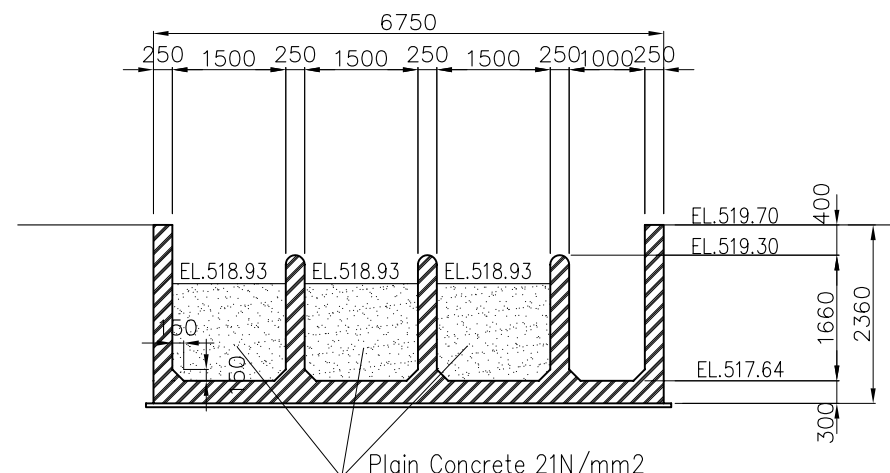
PLAN OF FRONT PART



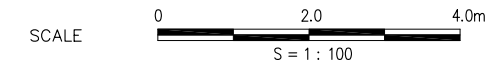
SECTION F-F



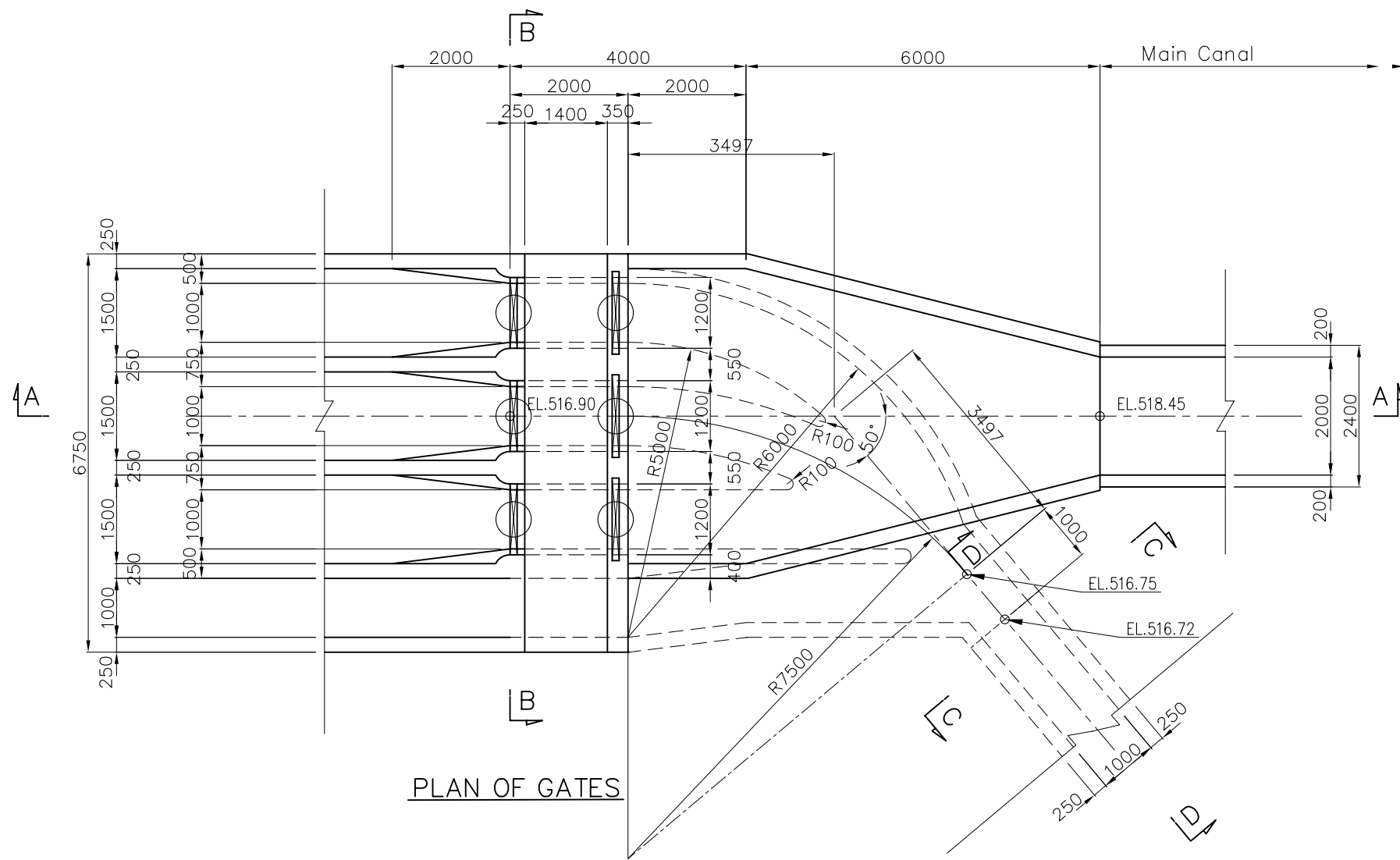
SECTION G-G



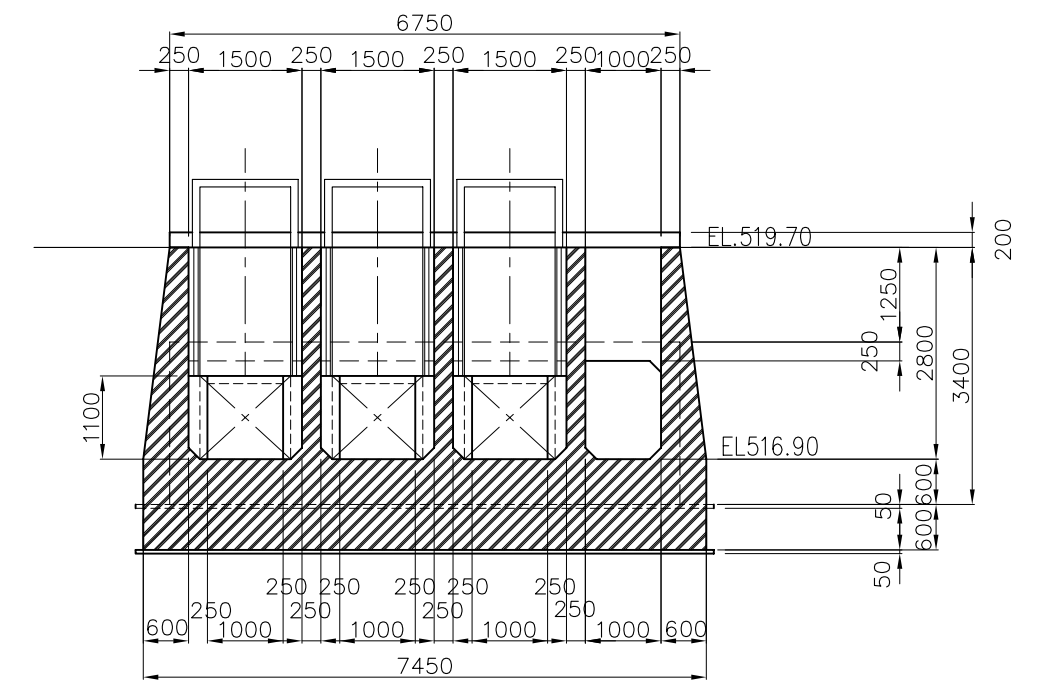
SECTION H-H



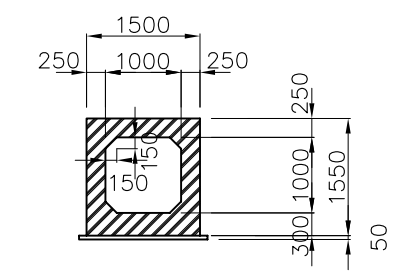
THE REPUBLIC OF MALAWI	
THE PROJECT FOR REHABILITATION OF BWANJE VALLEY IRRIGATION SYSTEM	
TITLE OF DRAWING SECTION (2/3)	
DRAWING NO.	SB-03
NIPPON KOEI CO., LTD.	



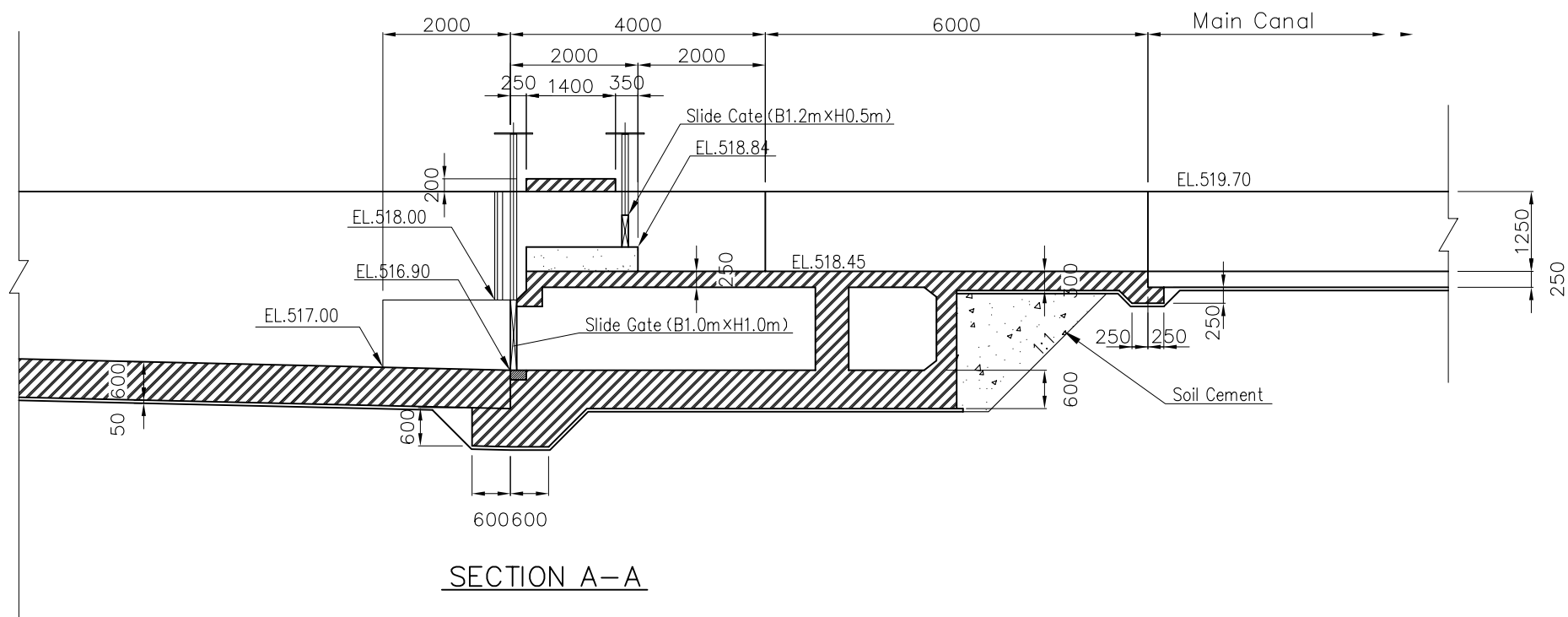
PLAN OF GATES



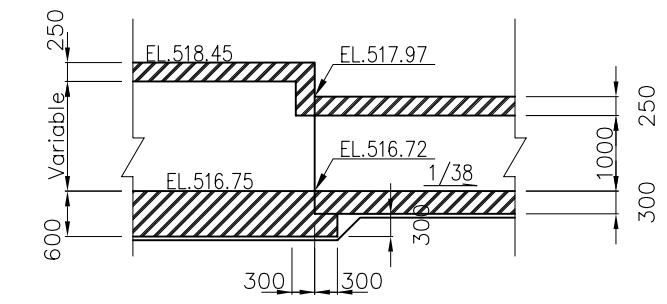
SECTION B-B



SECTION C-C



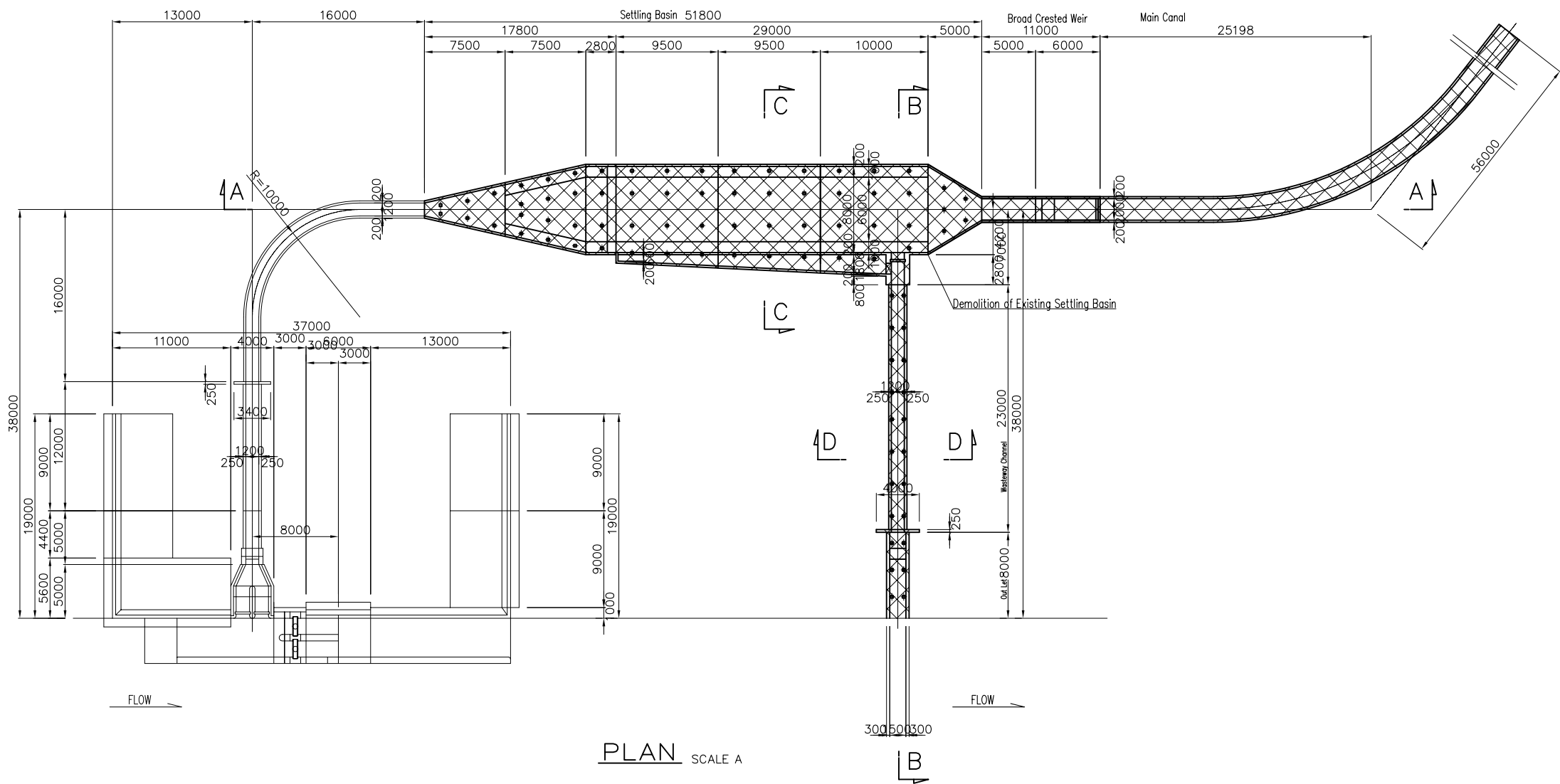
SECTION A-A



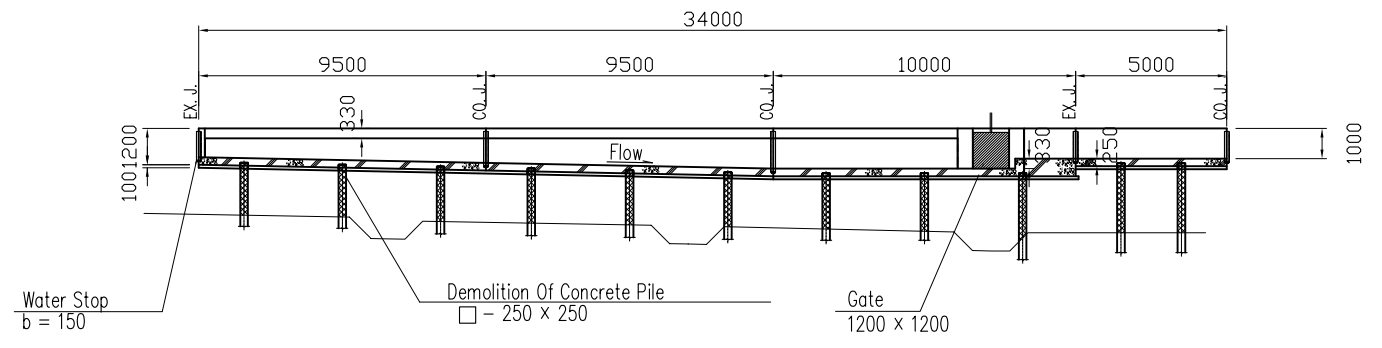
SECTION D-D



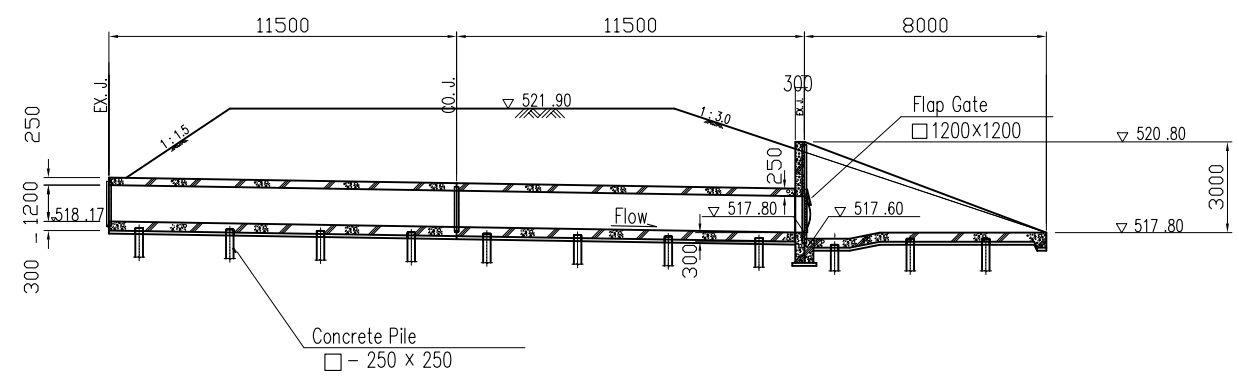
THE REPUBLIC OF MALAWI	
THE PROJECT FOR REHABILITATION OF BWANJE VALLEY IRRIGATION SYSTEM	
TITLE OF DRAWING	
SECTION (3/3)	
DRAWING NO.	SB-04
NIPPON KOEI CO., LTD.	



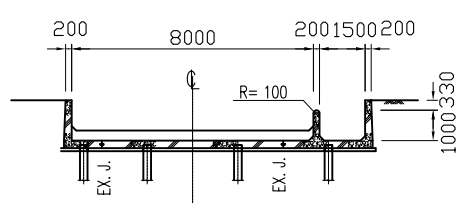
PLAN SCALE A



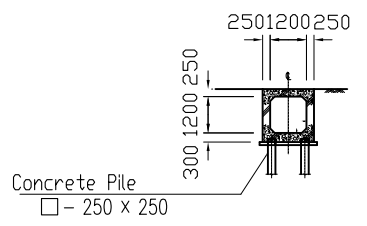
SECTION A-A SCALE B



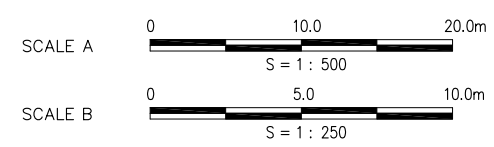
SECTION B-B SCALE B



SECTION C-C SCALE B

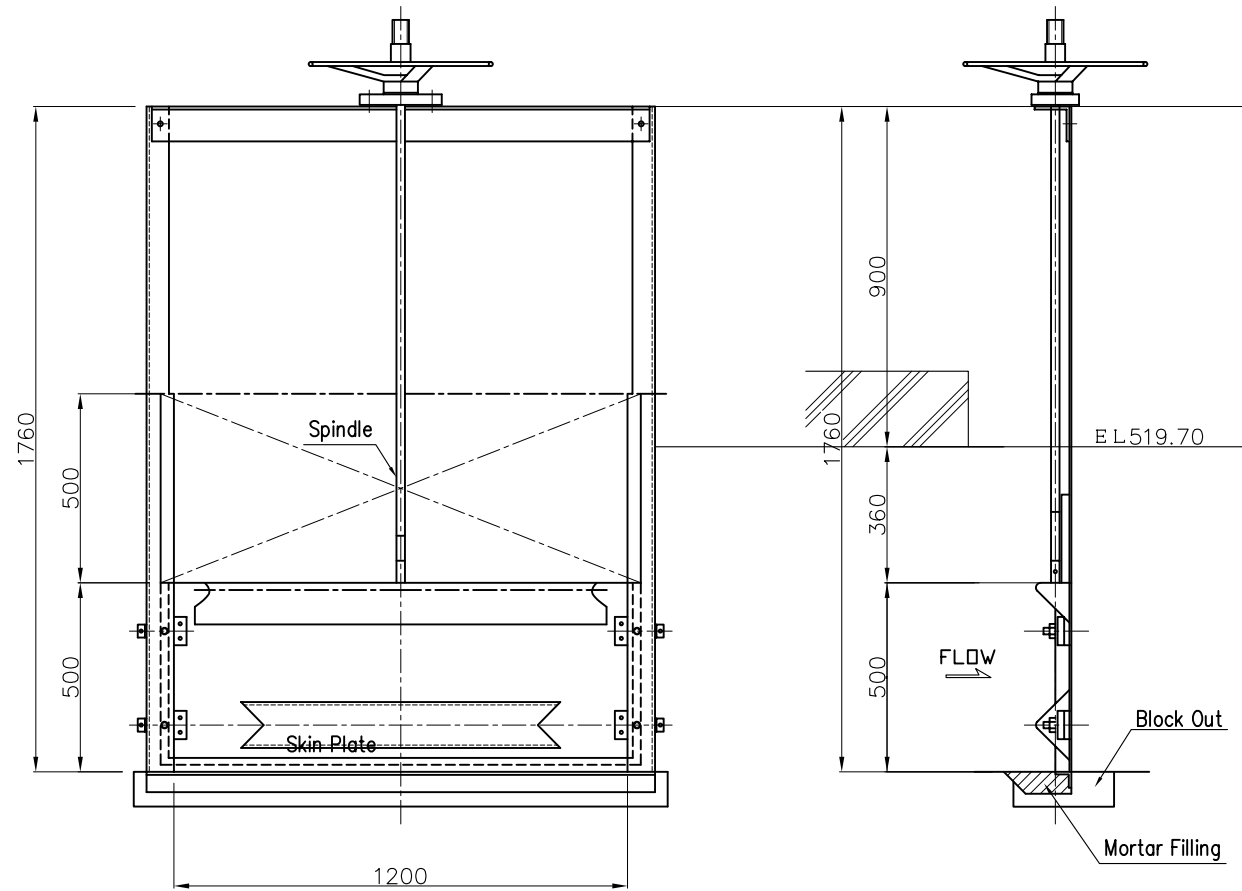


SECTION D-D SCALE B



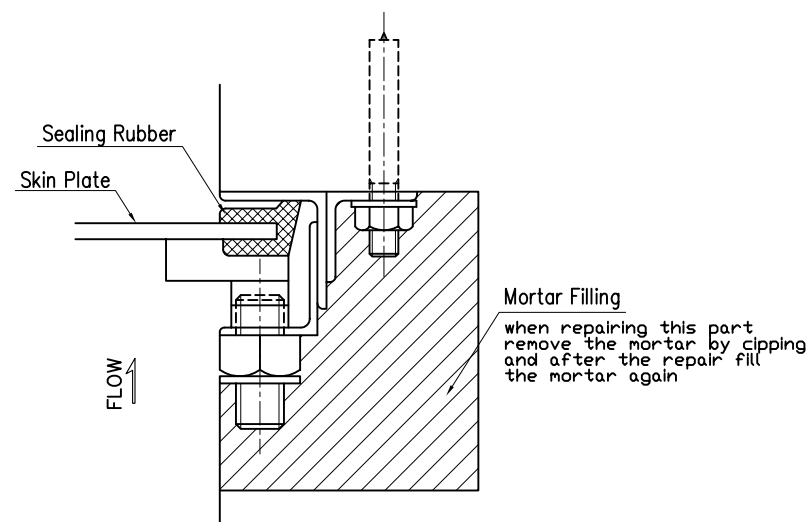
THE REPUBLIC OF MALAWI	
THE PROJECT FOR REHABILITATION OF BWANJE VALLEY IRRIGATION SYSTEM	
TITLE OF DRAWING DEMOLITION OF EXISTING SETTLING BASIN	
DRAWING NO.	SB-06
NIPPON KOEI CO., LTD.	

SLIDE GATE FOR CONTROL GATE (N=3) SCALE A



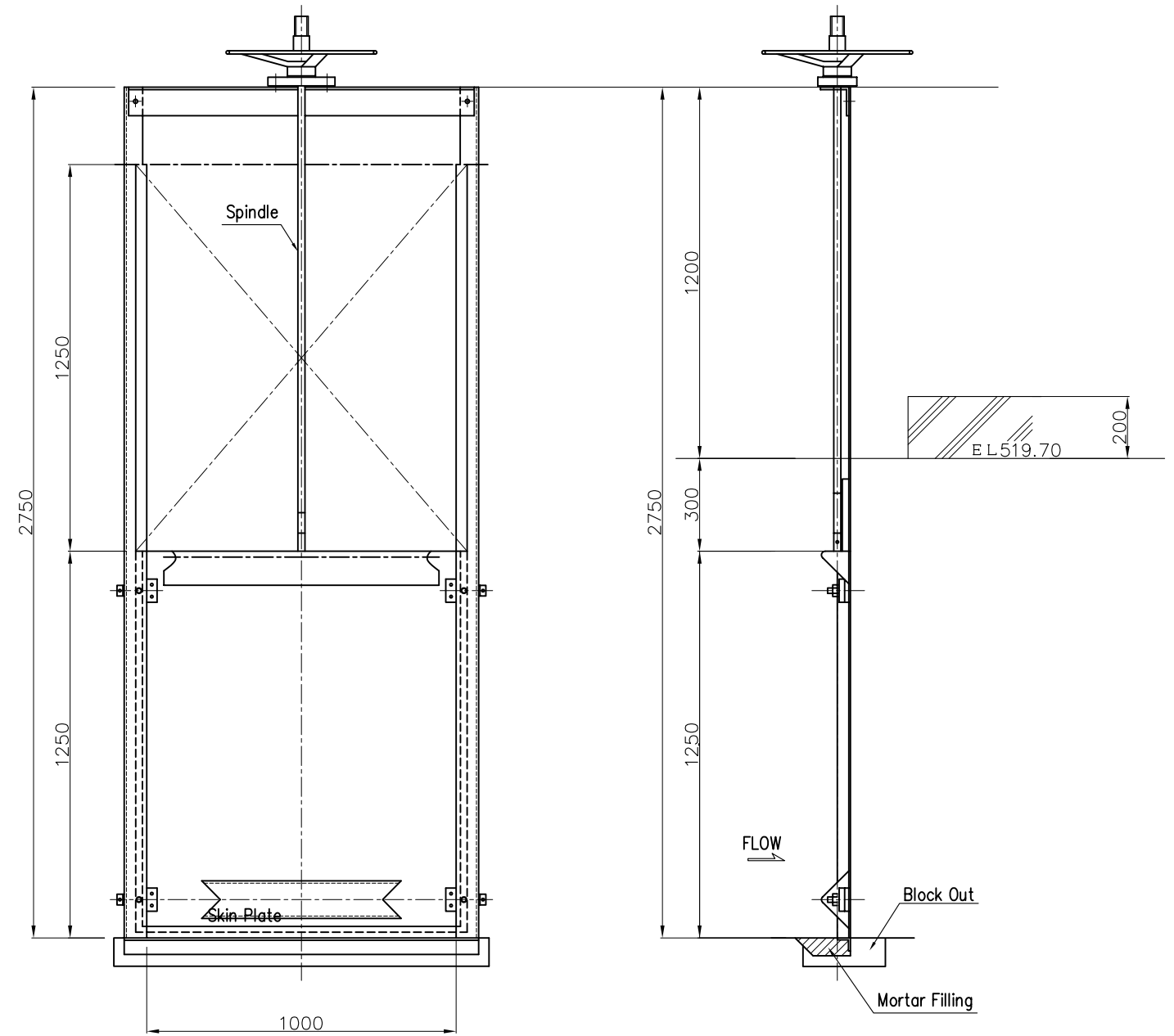
ELEVATION

SECTION



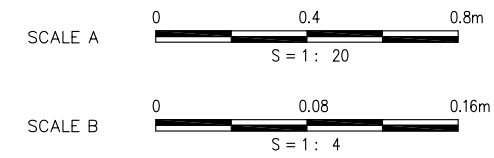
SEALING DETAIL SCALE B

SLIDE GATE FOR SPILLWAY SCALE A

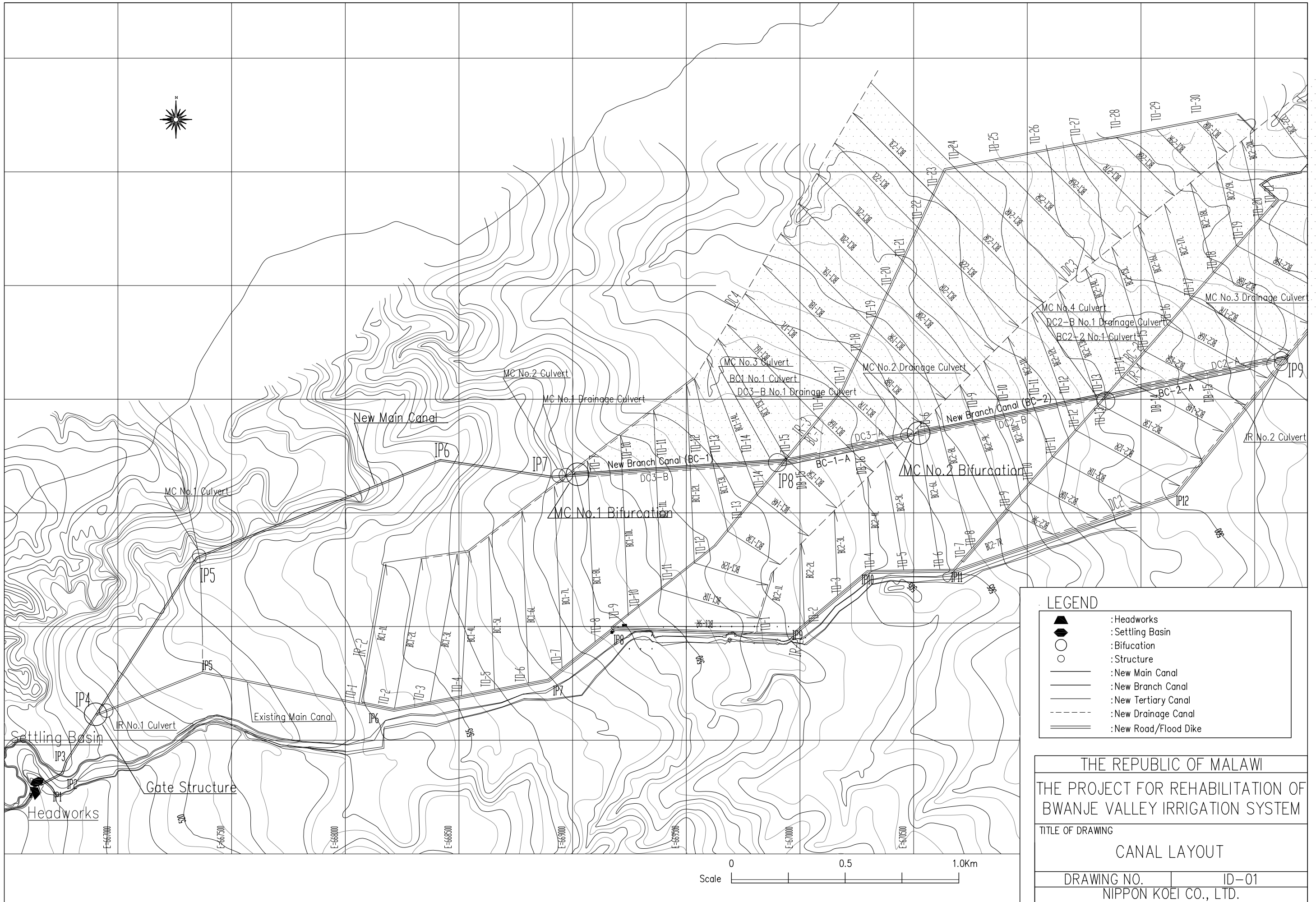


ELEVATION

SECTION



THE REPUBLIC OF MALAWI	
THE PROJECT FOR REHABILITATION OF BWANJE VALLEY IRRIGATION SYSTEM	
TITLE OF DRAWING GATES FOR SETTLING BASIN (2/2)	
DRAWING NO.	SB-08
NIPPON KOEI CO., LTD.	



LEGEND

- : Headworks
- : Settling Basin
- : Bifurcation
- : Structure
- : New Main Canal
- : New Branch Canal
- : New Tertiary Canal
- : New Drainage Canal
- : New Road/Flood Dike

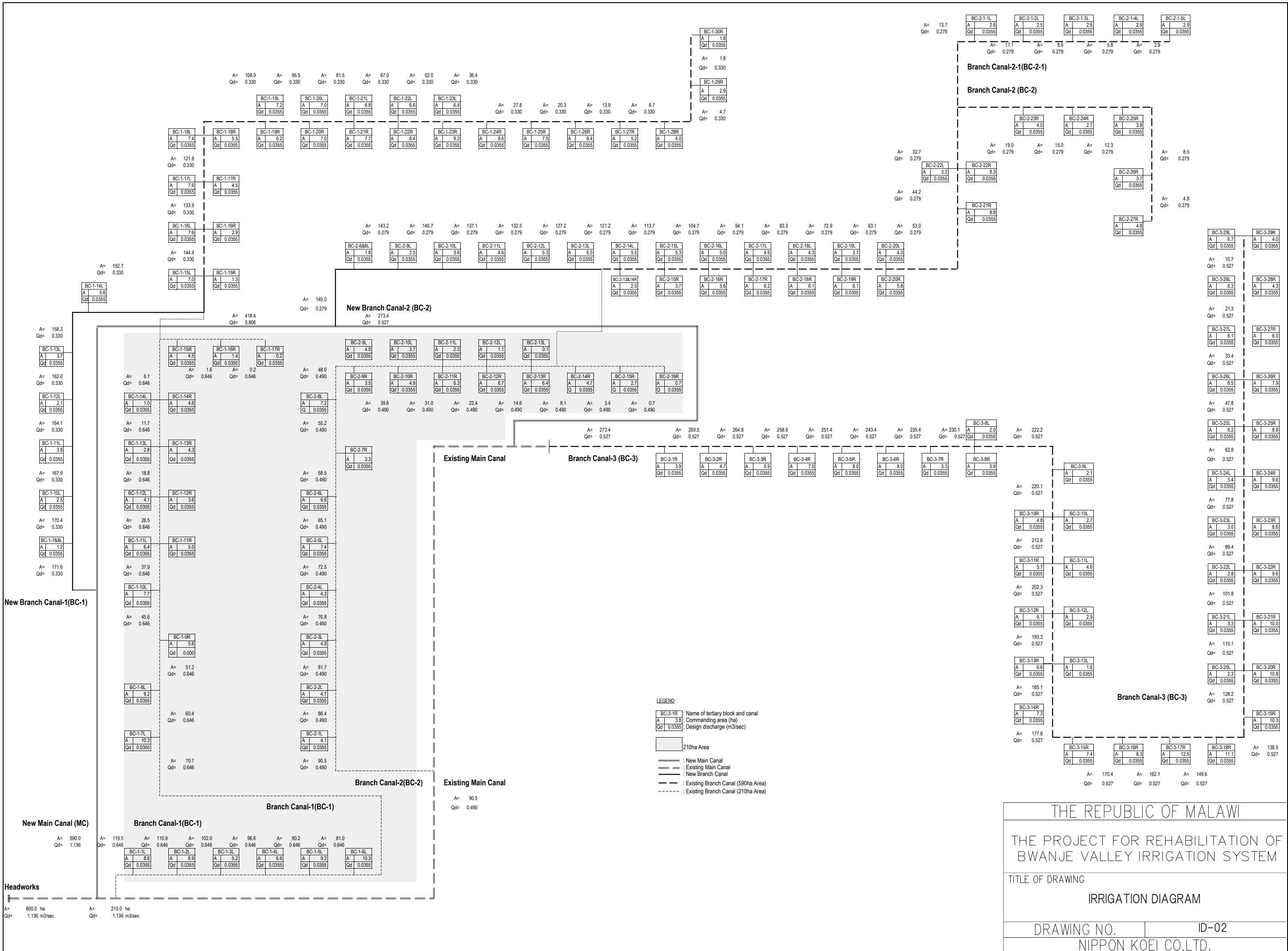
THE REPUBLIC OF MALAWI

THE PROJECT FOR REHABILITATION OF
BWANJE VALLEY IRRIGATION SYSTEM

TITLE OF DRAWING

CANAL LAYOUT

DRAWING NO.	ID-01
NIPPON KOEI CO., LTD.	



THE REPUBLIC OF MALAWI

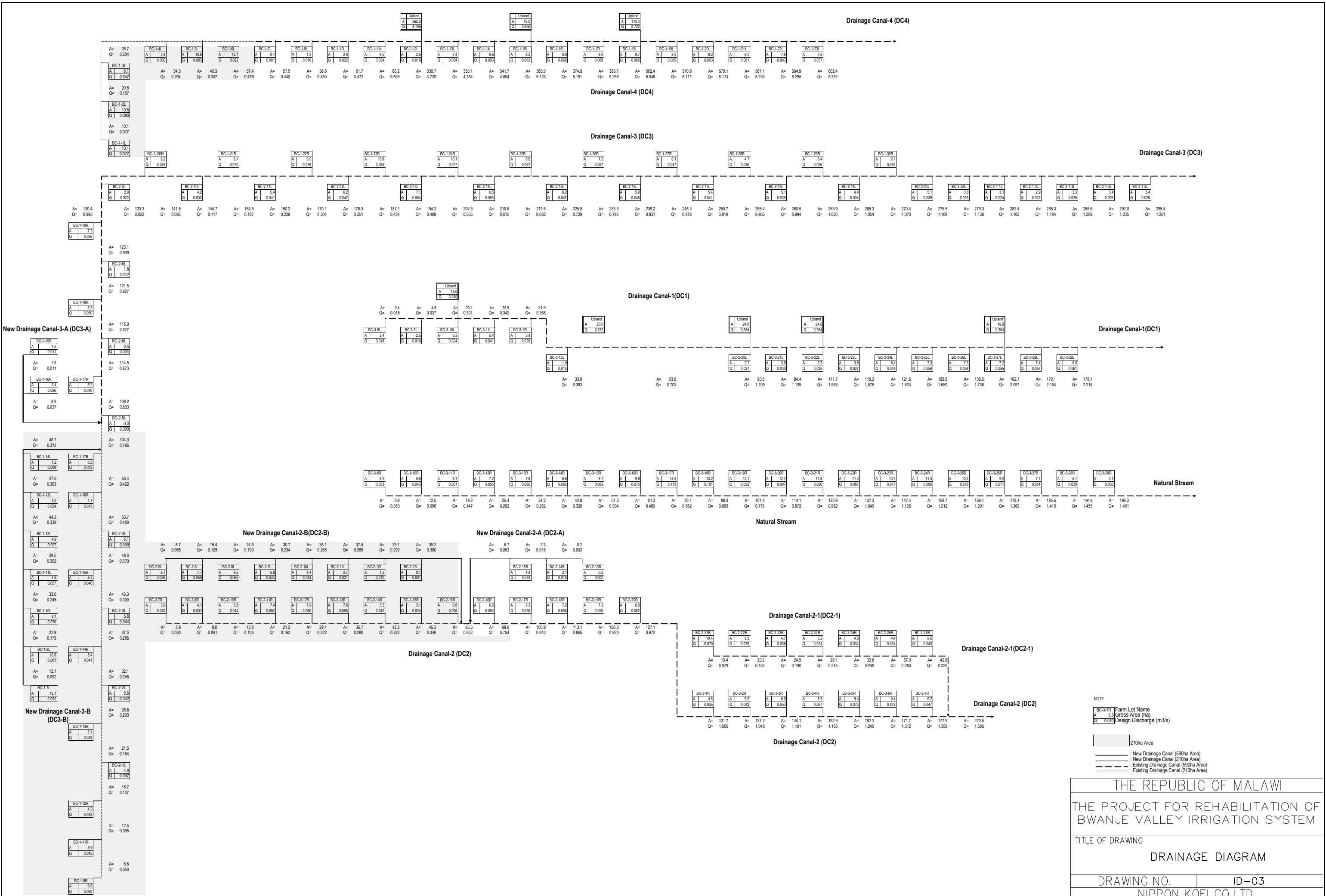
THE PROJECT FOR REHABILITATION OF
BWANJE VALLEY IRRIGATION SYSTEM

TITLE OF DRAWING

IRRIGATION DIAGRAM

DRAWING NO. ID-02

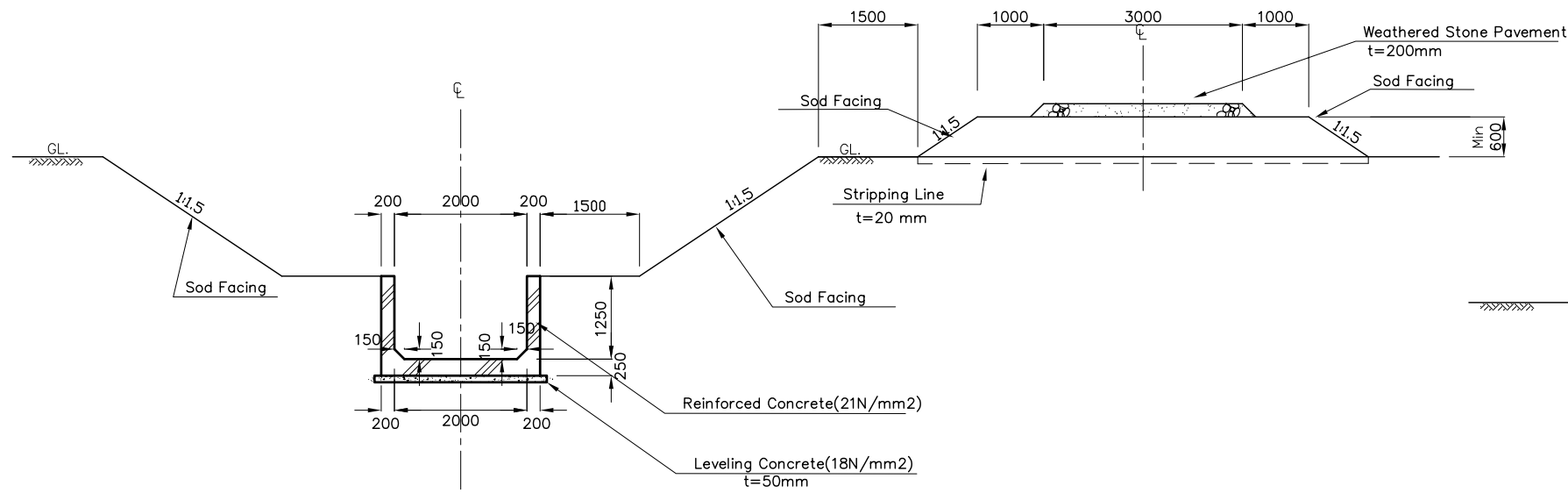
NIPPON KOEI CO.LTD.



NOTE
 BC-3-7R Farm Lot Name
 A 5.3 Cross Area (ha)
 Q 0.042 Design Discharge (m³/s)

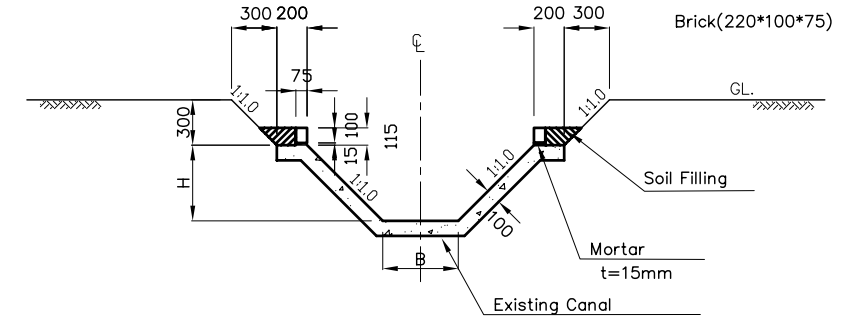
- 210ha Area
- : New Drainage Canal (690ha Area)
- : New Drainage Canal (210ha Area)
- : Existing Drainage Canal (690ha Area)
- : Existing Drainage Canal (210ha Area)

THE REPUBLIC OF MALAWI	
THE PROJECT FOR REHABILITATION OF BWANJE VALLEY IRRIGATION SYSTEM	
TITLE OF DRAWING	
DRAINAGE DIAGRAM	
DRAWING NO.	ID-03
NIPPON KOEI CO.LTD.	



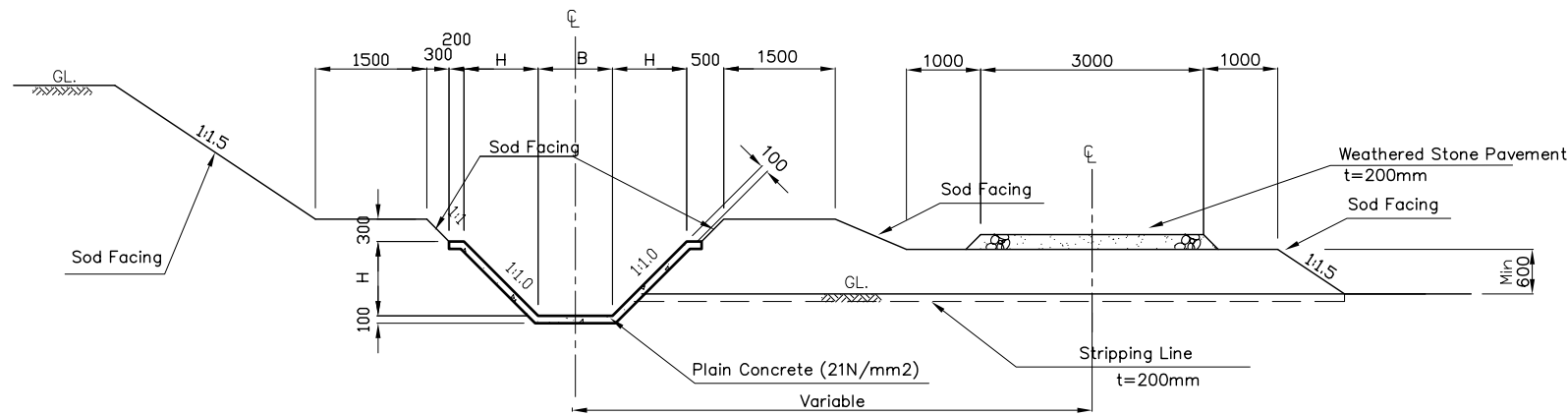
FLUME SECTION OF MAIN CANAL

SCALE A



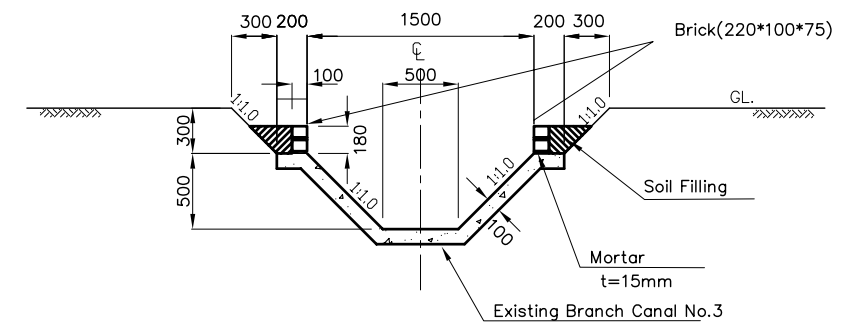
ADDITIONAL BRICK LINING (TYPE 1)

SCALE B



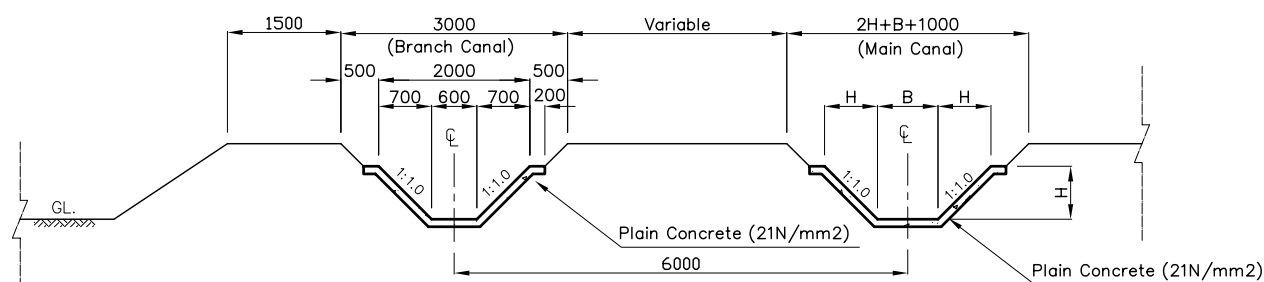
LINING CANAL SECTION

SCALE A



ADDITIONAL BRICK LINING (TYPE 2)

SCALE B

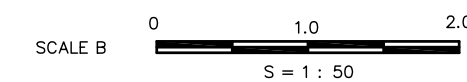
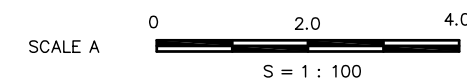


LINING CANAL SECTION OF MAIN CANAL AND BRANCH CANAL

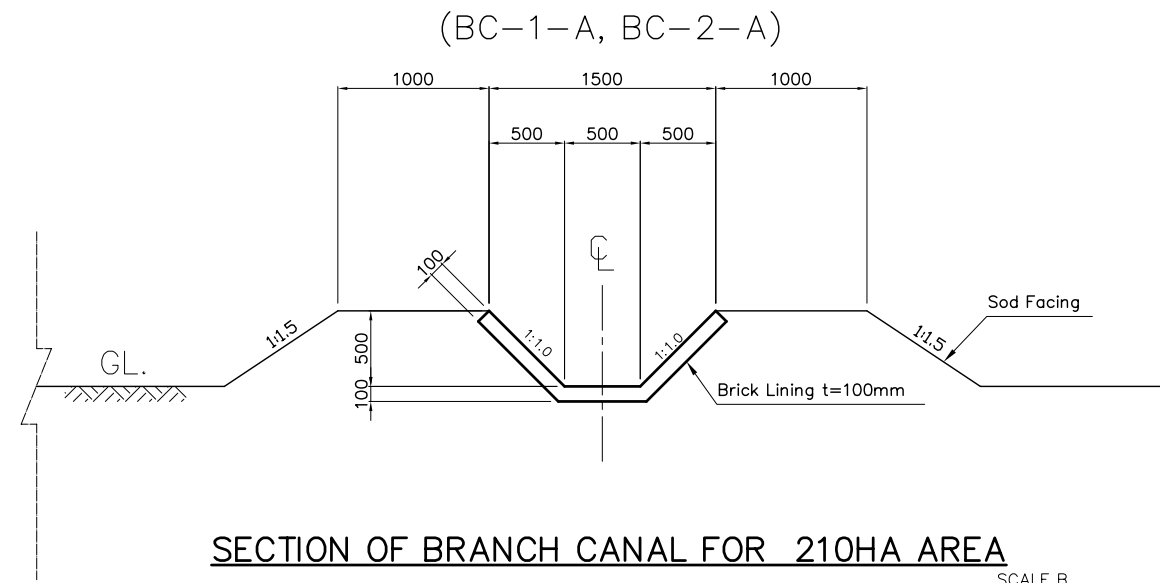
SCALE A

Canal Type	B(mm)	H(mm)	Applied Canal
A	1000	1000	Main Canal
B	800	700	Main Canal
C-1	600	700	BC-1, BC-2

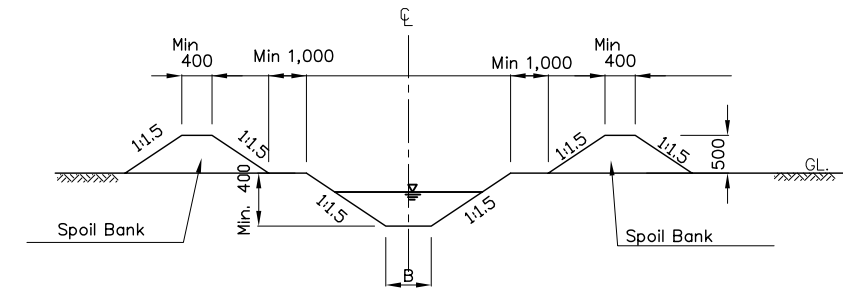
Type	Existing Canal	Station	Length(m)	B(mm)	H(mm)
Type1	Main Canal	62+50 - 68+20	570	600	600
	Branch Canal No.1	22+70 - 48+54	2,584	500	500
	Branch Canal No.2	22+51 - 44+46	2,195	500	500
	Branch Canal No.3	0+00 - 30+60	3,060	600	600
Type2	Branch Canal No.3	30+60 - 48+40	1,780	500	500



THE REPUBLIC OF MALAWI	
THE PROJECT FOR REHABILITATION OF BWANJE VALLEY IRRIGATION SYSTEM	
TITLE OF DRAWING TYPICAL SECTION OF CANALS AND INSPECTION ROAD (1/2)	
DRAWING NO.	ID-04
NIPPON KOEI CO., LTD.	

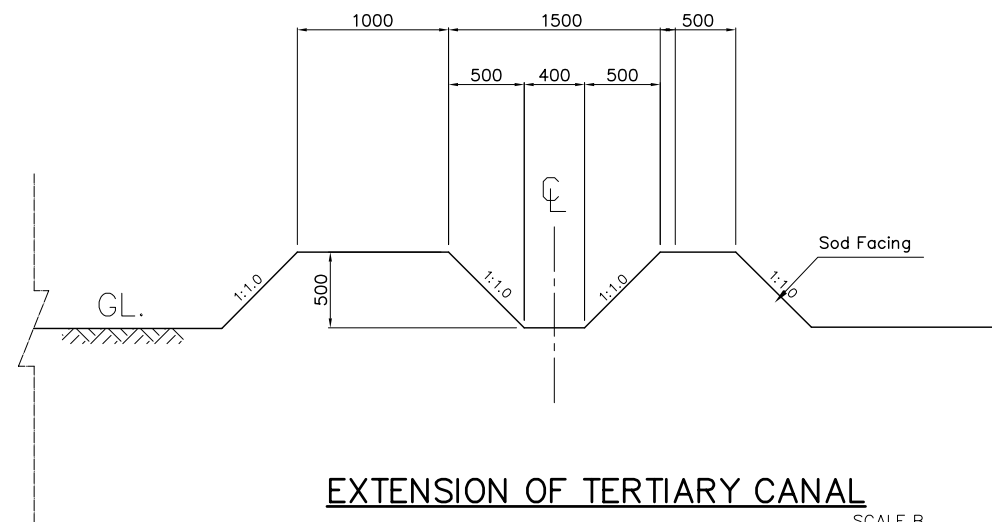


SCALE B



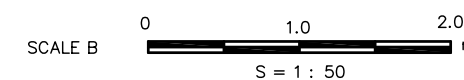
SCALE A

Name of Drainage Canal	Width B(mm)
DC-2-A	400
DC-3-A	400
DC-2-B	600
DC-3-B	600

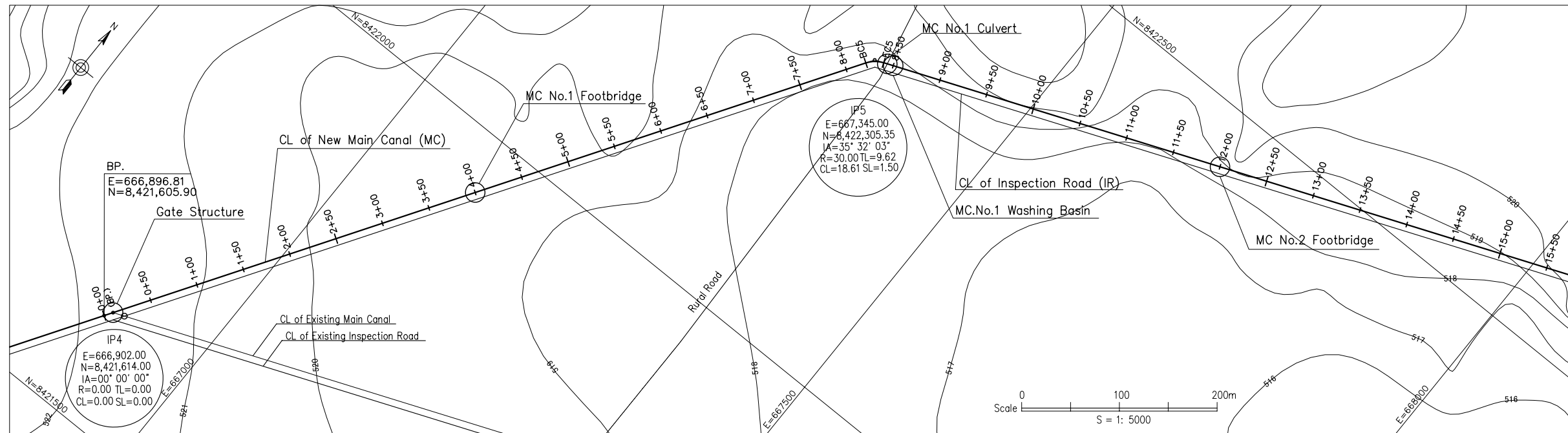


SCALE B

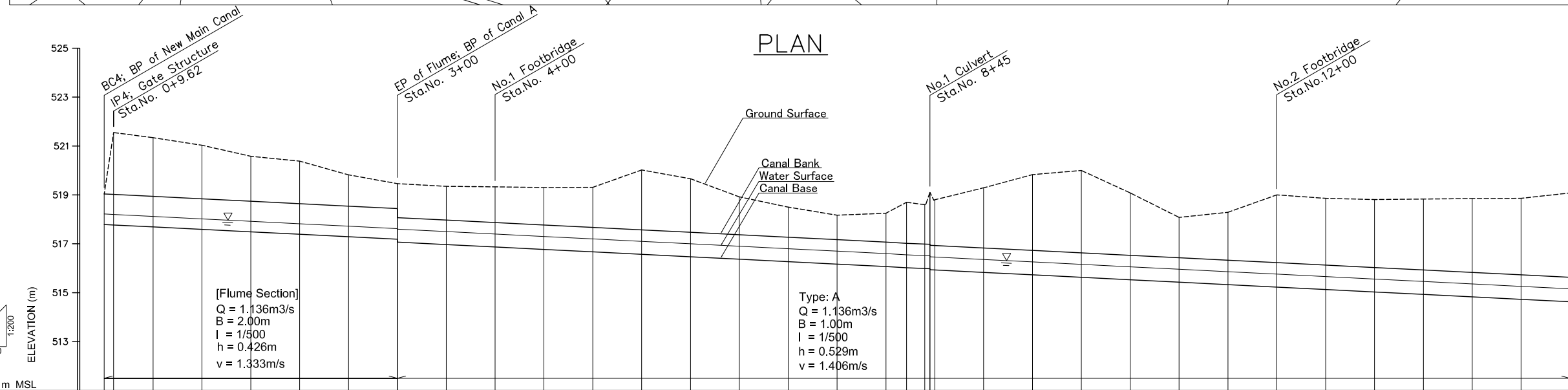
Name of Branch Canal	Name of Tertiary Canal	Length (m)
BC-1	BC-1-7L	54
	BC-1-15R	119
	BC-1-16R	91
	BC-1-17R	90
BC-2	BC-2-6L	96
	BC-2-14R	117
	BC-2-15R	117
	BC-2-16R	117



THE REPUBLIC OF MALAWI	
THE PROJECT FOR REHABILITATION OF BWANJE VALLEY IRRIGATION SYSTEM	
TITLE OF DRAWING TYPICAL SECTION OF CANALS AND INSPECTION ROAD (2/2)	
DRAWING NO.	ID-05
NIPPON KOEI CO., LTD.	



PLAN



PROFILE

STATION No.	0+00	0+50	1+00	1+50	2+00	2+50	3+00	3+50	4+00	4+50	5+00	5+50	6+00	6+50	7+00	7+50	8+00	8+45	8+50	9+00	9+50	10+00	10+50	11+00	11+50	12+00	12+50	13+00	13+50	14+00	14+50	15+00
CANAL BANK ELEVATION	519.04	519.02	518.94	518.84	518.74	518.64	518.54	518.44	518.07	517.97	517.87	517.77	517.67	517.37	517.27	517.17	517.07	517.02	516.98	516.83	516.73	516.63	516.53	516.43	516.33	516.23	516.13	516.03	515.93	515.83	515.73	515.63
WATER SURFACE ELEVATION	518.22	518.20	518.12	518.02	517.92	517.82	517.72	517.62	517.50	517.40	517.30	517.20	517.10	516.90	516.80	516.70	516.60	516.55	516.52	516.36	516.26	516.16	516.06	515.96	515.86	515.76	515.66	515.56	515.46	515.36	515.26	515.16
CANAL BASE ELEVATION	517.79	517.77	517.69	517.59	517.49	517.39	517.29	517.09	516.97	516.87	516.77	516.67	516.57	516.47	516.27	516.17	516.07	516.02	515.98	515.83	515.73	515.63	515.53	515.43	515.33	515.23	515.13	515.03	514.93	514.83	514.73	514.63
GROUND SURFACE ELEVATION	519.04	521.55	521.34	521.03	520.58	520.38	519.82	519.46	519.35	519.33	519.31	520.02	519.66	518.92	518.50	518.17	518.25	518.70	518.60	518.29	519.83	519.83	520.00	519.08	518.08	518.29	518.86	518.81	518.83	518.85	518.86	519.08
ACCUMULATED DISTANCE	0.00	9.62	50.00	100.00	150.00	200.00	250.00	300.00	350.00	400.00	450.00	500.00	600.00	650.00	700.00	750.00	800.00	839.71	845.00	900.00	950.00	1,000.00	1,050.00	1,100.00	1,150.00	1,200.00	1,250.00	1,300.00	1,350.00	1,400.00	1,450.00	1,500.00
DISTANCE	0.00	9.62	40.38	50.00	50.00	50.00	50.00	50.00	50.00	50.00	50.00	50.00	50.00	50.00	50.00	50.00	50.00	21.11	18.60	5.00	50.00	50.00	50.00	50.00	50.00	50.00	50.00	50.00	50.00	50.00	50.00	50.00

THE REPUBLIC OF MALAWI

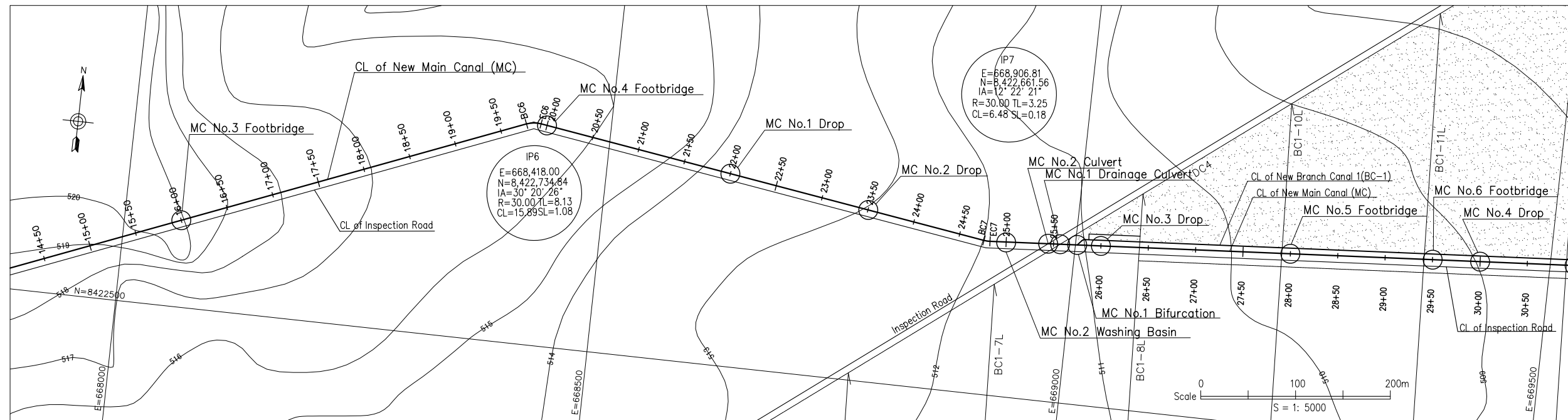
THE PROJECT FOR REHABILITATION OF BWANJE VALLEY IRRIGATION SYSTEM

TITLE OF DRAWING

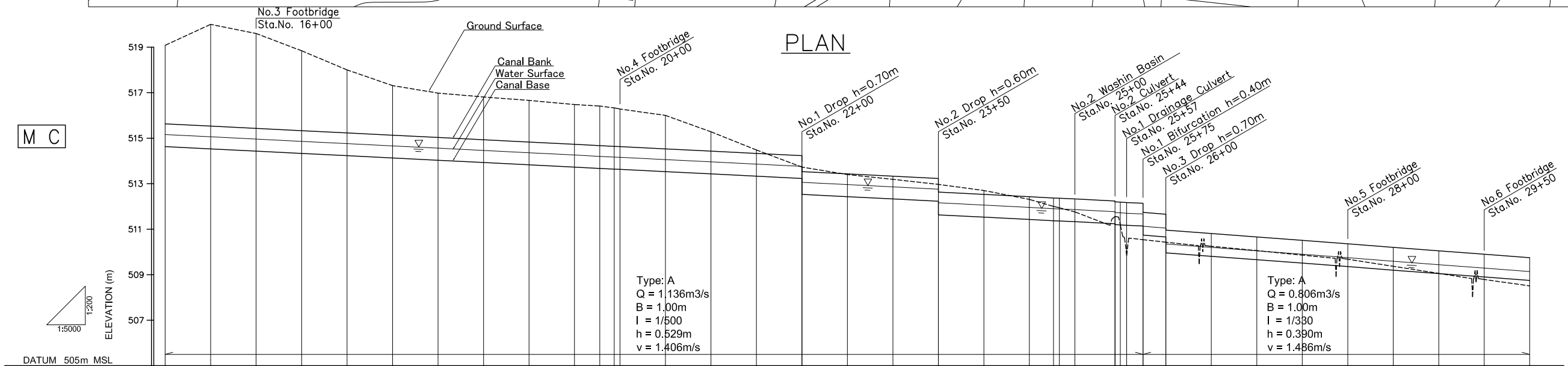
PLAN AND PROFILE OF MC (1/4)

DRAWING NO. ID-06

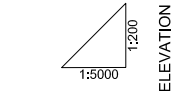
NIPPON KOEI CO., LTD.



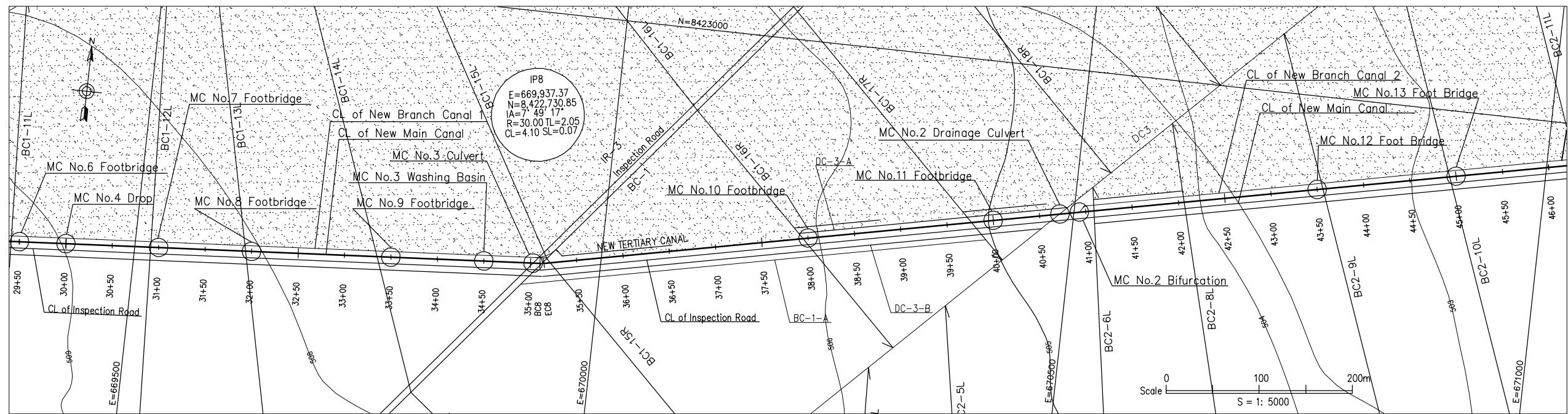
PLAN



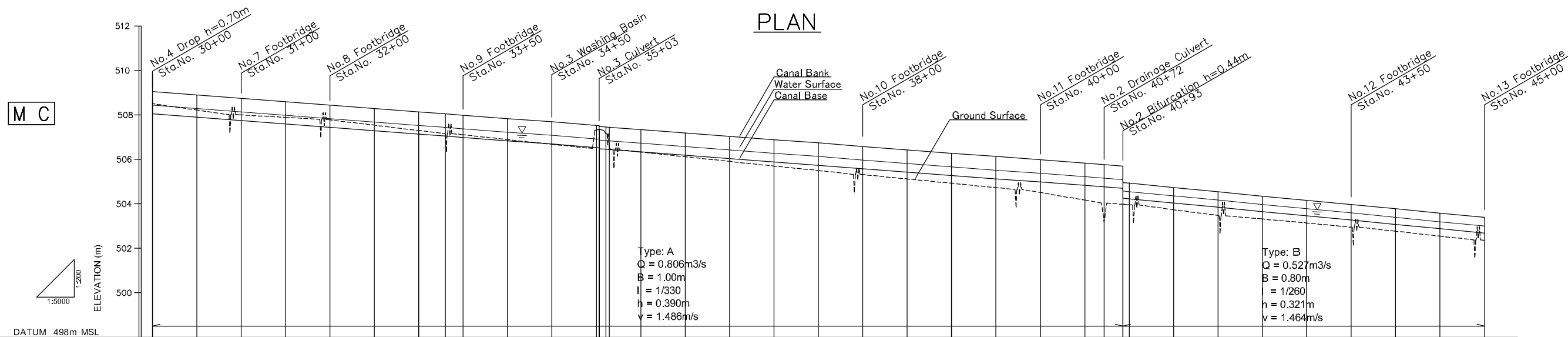
M C



CANAL BANK ELEVATION	515.63	515.53	515.43	515.33	515.23	515.13	515.03	514.93	514.83	514.73	514.67	514.64	514.63	514.53	514.43	514.33	514.23	514.16	514.06	513.96	513.86	513.76	513.63	513.53	513.43	513.33	513.23	513.16	513.06	512.96	512.86	512.76	512.66	512.56	512.43	512.33	512.23	512.16	512.06	511.96	511.86	511.76	511.66	511.56	511.46	511.36	511.26	511.16	511.06	510.96	510.86	510.76	510.66	510.56	510.46	510.36	510.26	510.16	510.05	509.95	509.85	509.75	509.65	509.55	509.45	509.35	509.25	509.14	509.04	508.94	508.84	508.74	508.64	508.54	508.44	508.34	508.24	508.14	508.04	507.94	507.84	507.74	507.64	507.54	507.44	507.34	507.24	507.14	507.04	506.94	506.84	506.74	506.64	506.54	506.44	506.34	506.24	506.14	506.04	505.94	505.84	505.74	505.64	505.54	505.44	505.34	505.24	505.14	505.04	504.94	504.84	504.74	504.64	504.54	504.44	504.34	504.24	504.14	504.04	503.94	503.84	503.74	503.64	503.54	503.44	503.34	503.24	503.14	503.04	502.94	502.84	502.74	502.64	502.54	502.44	502.34	502.24	502.14	502.04	501.94	501.84	501.74	501.64	501.54	501.44	501.34	501.24	501.14	501.04	500.94	500.84	500.74	500.64	500.54	500.44	500.34	500.24	500.14	500.04	499.94	499.84	499.74	499.64	499.54	499.44	499.34	499.24	499.14	499.04	498.94	498.84	498.74	498.64	498.54	498.44	498.34	498.24	498.14	498.04	497.94	497.84	497.74	497.64	497.54	497.44	497.34	497.24	497.14	497.04	496.94	496.84	496.74	496.64	496.54	496.44	496.34	496.24	496.14	496.04	495.94	495.84	495.74	495.64	495.54	495.44	495.34	495.24	495.14	495.04	494.94	494.84	494.74	494.64	494.54	494.44	494.34	494.24	494.14	494.04	493.94	493.84	493.74	493.64	493.54	493.44	493.34	493.24	493.14	493.04	492.94	492.84	492.74	492.64	492.54	492.44	492.34	492.24	492.14	492.04	491.94	491.84	491.74	491.64	491.54	491.44	491.34	491.24	491.14	491.04	490.94	490.84	490.74	490.64	490.54	490.44	490.34	490.24	490.14	490.04	489.94	489.84	489.74	489.64	489.54	489.44	489.34	489.24	489.14	489.04	488.94	488.84	488.74	488.64	488.54	488.44	488.34	488.24	488.14	488.04	487.94	487.84	487.74	487.64	487.54	487.44	487.34	487.24	487.14	487.04	486.94	486.84	486.74	486.64	486.54	486.44	486.34	486.24	486.14	486.04	485.94	485.84	485.74	485.64	485.54	485.44	485.34	485.24	485.14	485.04	484.94	484.84	484.74	484.64	484.54	484.44	484.34	484.24	484.14	484.04	483.94	483.84	483.74	483.64	483.54	483.44	483.34	483.24	483.14	483.04	482.94	482.84	482.74	482.64	482.54	482.44	482.34	482.24	482.14	482.04	481.94	481.84	481.74	481.64	481.54	481.44	481.34	481.24	481.14	481.04	480.94	480.84	480.74	480.64	480.54	480.44	480.34	480.24	480.14	480.04	479.94	479.84	479.74	479.64	479.54	479.44	479.34	479.24	479.14	479.04	478.94	478.84	478.74	478.64	478.54	478.44	478.34	478.24	478.14	478.04	477.94	477.84	477.74	477.64	477.54	477.44	477.34	477.24	477.14	477.04	476.94	476.84	476.74	476.64	476.54	476.44	476.34	476.24	476.14	476.04	475.94	475.84	475.74	475.64	475.54	475.44	475.34	475.24	475.14	475.04	474.94	474.84	474.74	474.64	474.54	474.44	474.34	474.24	474.14	474.04	473.94	473.84	473.74	473.64	473.54	473.44	473.34	473.24	473.14	473.04	472.94	472.84	472.74	472.64	472.54	472.44	472.34	472.24	472.14	472.04	471.94	471.84	471.74	471.64	471.54	471.44	471.34	471.24	471.14	471.04	470.94	470.84	470.74	470.64	470.54	470.44	470.34	470.24	470.14	470.04	469.94	469.84	469.74	469.64	469.54	469.44	469.34	469.24	469.14	469.04	468.94	468.84	468.74	468.64	468.54	468.44	468.34	468.24	468.14	468.04	467.94	467.84	467.74	467.64	467.54	467.44	467.34	467.24	467.14	467.04	466.94	466.84	466.74	466.64	466.54	466.44	466.34	466.24	466.14	466.04	465.94	465.84	465.74	465.64	465.54	465.44	465.34	465.24	465.14	465.04	464.94	464.84	464.74	464.64	464.54	464.44	464.34	464.24	464.14	464.04	463.94	463.84	463.74	463.64	463.54	463.44	463.34	463.24	463.14	463.04	462.94	462.84	462.74	462.64	462.54	462.44	462.34	462.24	462.14	462.04	461.94	461.84	461.74	461.64	461.54	461.44	461.34	461.24	461.14	461.04	460.94	460.84	460.74	460.64	460.54	460.44	460.34	460.24	460.14	460.04	459.94	459.84	459.74	459.64	459.54	459.44	459.34	459.24	459.14	459.04	458.94	458.84	458.74	458.64	458.54	458.44	458.34	458.24	458.14	458.04	457.94	457.84	457.74	457.64	457.54	457.44	457.34	457.24	457.14	457.04	456.94	456.84	456.74	456.64	456.54	456.44	456.34	456.24	456.14	456.04	455.94	455.84	455.74	455.64	455.54	455.44	455.34	455.24	455.14	455.04	454.94	454.84	454.74	454.64	454.54	454.44	454.34	454.24	454.14	454.04	453.94	453.84	453.74	453.64	453.54	453.44	453.34	453.24	453.14	453.04	452.94	452.84	452.74	452.64	452.54	452.44	452.34	452.24	452.14	452.04	451.94	451.84	451.74	451.64	451.54	451.44	451.34	451.24	451.14	451.04	450.94	450.84	450.74	450.64	450.54	450.44	450.34	450.24	450.14	450.04	449.94	449.84	449.74	449.64	449.54	449.44	449.34	449.24	449.14	449.04	448.94	448.84	448.74	448.64	448.54	448.44	448.34	448.24	448.14	448.04	447.94	447.84	447.74	447.64	447.54	447.44	447.34	447.24	447.14	447.04	446.94	446.84	446.74	446.64	446.54	446.44	446.34	446.24	446.14	446.04	445.94	445.84	445.74	445.64	445.54	445.44	445.34	445.24	445.14	445.04	444.94	444.84	444.74	444.64	444.54	444.44	444.34	444.24	444.14	444.04	443.94	443.84	443.74	443.64	443.54	443.44	443.34	443.24	443.14	443.04	442.94	442.84	442.74	442.64	442.54	442.44	442.34	442.24	442.14	442.04	441.94	441.84	441.74	441.64	441.54	441.44	441.34	441.24	441.14	441.04	440.94	440.84	440.74	440.64	440.54	440.44	440.34	440.24	440.14	440.04	439.94	439.84	439.74	439.64	439.54	439.44	439.34	439.24	439.14	439.04	438.94	438.84	438.74	438.64	438.54	438.44	438.34	438.24	438.14	438.04	437.94	437.84	437.74	437.64	437.54	437.44	437.34	437.24	437.14	437.04	436.94	436.84	436.74	436.64	436.54	436.44	436.34	436.24	436.14	436.04	435.94	435.84	435.74	435.64	435.54	435.44	435.34	435.24	435.14	435.04	434.94	434.84	434.74	434.64	434.54	434.44	434.34	434.24	434.14	434.04	433.94	433.84	433.74	433.64	433.54	433.44	433.34	433.24	433.14	433.04	432.94	432.84	432.74	432.64	432.54	432.44	432.34	432.24	432.14	432.04	431.94	431.84	431.74	431.64	431.54	431.44	431.34	431.24	431.14	431.04	430.94	430.84	430.74	430.64	430.54	430.44	430.34	430.24	430.14	430.04	429.94	429.84	429.74	429.64	429.54	429.44	429.34	429.24	429.14	429.04	428.94	428.84	428.74	428.64	428.54	428.44	428.34	428.24	428.14	428.04	427.94	427.84	427.74	427.64	427.54	427.44	427.34	427.24	427.14	427.04	426.94	426.84	426.74	426.64	426.54	426.44	426.34	426.24	426.14	426.04	425.94	425.84	425.74	425.64	425.54	425.44	425.34	425.24	425.14	425.04	424.94	424.84	424.74	424.64	424.54	424.44	424.34	424.24	424.14	424.04	423.94	423.84	423.74	423.64	423.54	423.44	423.34	423.24	423.14	423.04	422.94	422.84	422.74	422.64	422.54	422.44	422.34	422.24	422.14	422.04	421.94	421.84	421.74	421.64	421.54	421.44	421.34	421.24	421.14	421.04	420.94	420.84	420.74	420.64	420.54	420.44	420.34	420.24	420.14	420.04	419.94	419.84	419.74	419.64	419.54	419.44	419.34	419.24	419.14	419.04	418.94	418.84	418.74	418.64	418.54	418.44	418.34	418.24	418.14	418.04	417.94	417.84	417.74	417.64	417.54	417.44	417.34	417.24	417.14	417.04	416.94	416.84	416.74	416.64	416.54	416.44	416.34	416.24	41
----------------------	--------	--------	--------	--------	--------	--------	--------	--------	--------	--------	--------	--------	--------	--------	--------	--------	--------	--------	--------	--------	--------	--------	--------	--------	--------	--------	--------	--------	--------	--------	--------	--------	--------	--------	--------	--------	--------	--------	--------	--------	--------	--------	--------	--------	--------	--------	--------	--------	--------	--------	--------	--------	--------	--------	--------	--------	--------	--------	--------	--------	--------	--------	--------	--------	--------	--------	--------	--------	--------	--------	--------	--------	--------	--------	--------	--------	--------	--------	--------	--------	--------	--------	--------	--------	--------	--------	--------	--------	--------	--------	--------	--------	--------	--------	--------	--------	--------	--------	--------	--------	--------	--------	--------	--------	--------	--------	--------	--------	--------	--------	--------	--------	--------	--------	--------	--------	--------	--------	--------	--------	--------	--------	--------	--------	--------	--------	--------	--------	--------	--------	--------	--------	--------	--------	--------	--------	--------	--------	--------	--------	--------	--------	--------	--------	--------	--------	--------	--------	--------	--------	--------	--------	--------	--------	--------	--------	--------	--------	--------	--------	--------	--------	--------	--------	--------	--------	--------	--------	--------	--------	--------	--------	--------	--------	--------	--------	--------	--------	--------	--------	--------	--------	--------	--------	--------	--------	--------	--------	--------	--------	--------	--------	--------	--------	--------	--------	--------	--------	--------	--------	--------	--------	--------	--------	--------	--------	--------	--------	--------	--------	--------	--------	--------	--------	--------	--------	--------	--------	--------	--------	--------	--------	--------	--------	--------	--------	--------	--------	--------	--------	--------	--------	--------	--------	--------	--------	--------	--------	--------	--------	--------	--------	--------	--------	--------	--------	--------	--------	--------	--------	--------	--------	--------	--------	--------	--------	--------	--------	--------	--------	--------	--------	--------	--------	--------	--------	--------	--------	--------	--------	--------	--------	--------	--------	--------	--------	--------	--------	--------	--------	--------	--------	--------	--------	--------	--------	--------	--------	--------	--------	--------	--------	--------	--------	--------	--------	--------	--------	--------	--------	--------	--------	--------	--------	--------	--------	--------	--------	--------	--------	--------	--------	--------	--------	--------	--------	--------	--------	--------	--------	--------	--------	--------	--------	--------	--------	--------	--------	--------	--------	--------	--------	--------	--------	--------	--------	--------	--------	--------	--------	--------	--------	--------	--------	--------	--------	--------	--------	--------	--------	--------	--------	--------	--------	--------	--------	--------	--------	--------	--------	--------	--------	--------	--------	--------	--------	--------	--------	--------	--------	--------	--------	--------	--------	--------	--------	--------	--------	--------	--------	--------	--------	--------	--------	--------	--------	--------	--------	--------	--------	--------	--------	--------	--------	--------	--------	--------	--------	--------	--------	--------	--------	--------	--------	--------	--------	--------	--------	--------	--------	--------	--------	--------	--------	--------	--------	--------	--------	--------	--------	--------	--------	--------	--------	--------	--------	--------	--------	--------	--------	--------	--------	--------	--------	--------	--------	--------	--------	--------	--------	--------	--------	--------	--------	--------	--------	--------	--------	--------	--------	--------	--------	--------	--------	--------	--------	--------	--------	--------	--------	--------	--------	--------	--------	--------	--------	--------	--------	--------	--------	--------	--------	--------	--------	--------	--------	--------	--------	--------	--------	--------	--------	--------	--------	--------	--------	--------	--------	--------	--------	--------	--------	--------	--------	--------	--------	--------	--------	--------	--------	--------	--------	--------	--------	--------	--------	--------	--------	--------	--------	--------	--------	--------	--------	--------	--------	--------	--------	--------	--------	--------	--------	--------	--------	--------	--------	--------	--------	--------	--------	--------	--------	--------	--------	--------	--------	--------	--------	--------	--------	--------	--------	--------	--------	--------	--------	--------	--------	--------	--------	--------	--------	--------	--------	--------	--------	--------	--------	--------	--------	--------	--------	--------	--------	--------	--------	--------	--------	--------	--------	--------	--------	--------	--------	--------	--------	--------	--------	--------	--------	--------	--------	--------	--------	--------	--------	--------	--------	--------	--------	--------	--------	--------	--------	--------	--------	--------	--------	--------	--------	--------	--------	--------	--------	--------	--------	--------	--------	--------	--------	--------	--------	--------	--------	--------	--------	--------	--------	--------	--------	--------	--------	--------	--------	--------	--------	--------	--------	--------	--------	--------	--------	--------	--------	--------	--------	--------	--------	--------	--------	--------	--------	--------	--------	--------	--------	--------	--------	--------	--------	--------	--------	--------	--------	--------	--------	--------	--------	--------	--------	--------	--------	--------	--------	--------	--------	--------	--------	--------	--------	--------	--------	--------	--------	--------	--------	--------	--------	--------	--------	--------	--------	--------	--------	--------	--------	--------	--------	--------	--------	--------	--------	--------	--------	--------	--------	--------	--------	--------	--------	--------	--------	--------	--------	--------	--------	--------	--------	--------	--------	--------	--------	--------	--------	--------	--------	--------	--------	--------	--------	--------	--------	--------	--------	--------	--------	--------	--------	--------	--------	--------	--------	--------	--------	--------	--------	--------	--------	--------	--------	--------	--------	--------	--------	--------	--------	--------	--------	--------	--------	--------	--------	--------	--------	--------	--------	--------	--------	--------	--------	--------	--------	--------	--------	--------	--------	--------	--------	--------	--------	--------	--------	--------	--------	--------	--------	--------	--------	--------	--------	--------	--------	--------	--------	--------	--------	--------	--------	--------	--------	--------	--------	--------	--------	--------	--------	--------	--------	--------	--------	--------	--------	--------	--------	--------	--------	--------	--------	--------	--------	--------	--------	--------	--------	--------	--------	--------	--------	--------	--------	--------	--------	--------	--------	--------	--------	--------	--------	--------	--------	--------	--------	--------	--------	--------	--------	--------	--------	--------	--------	--------	--------	--------	--------	--------	--------	--------	--------	--------	--------	--------	--------	--------	--------	--------	--------	--------	--------	--------	--------	--------	--------	--------	--------	--------	--------	--------	--------	--------	--------	--------	--------	--------	--------	--------	--------	--------	--------	--------	--------	--------	--------	--------	--------	--------	--------	--------	--------	--------	--------	--------	--------	--------	--------	--------	--------	--------	--------	--------	--------	--------	--------	--------	--------	--------	--------	--------	--------	--------	--------	--------	--------	--------	--------	--------	--------	--------	--------	--------	--------	--------	--------	--------	--------	--------	--------	--------	--------	--------	--------	--------	--------	--------	--------	--------	--------	--------	--------	--------	--------	--------	--------	--------	--------	--------	--------	--------	--------	--------	--------	--------	--------	--------	--------	--------	--------	--------	--------	--------	--------	--------	--------	--------	--------	--------	--------	--------	--------	--------	--------	--------	--------	--------	--------	--------	--------	--------	--------	--------	--------	--------	--------	--------	--------	--------	--------	--------	--------	--------	--------	--------	--------	--------	--------	--------	--------	--------	----



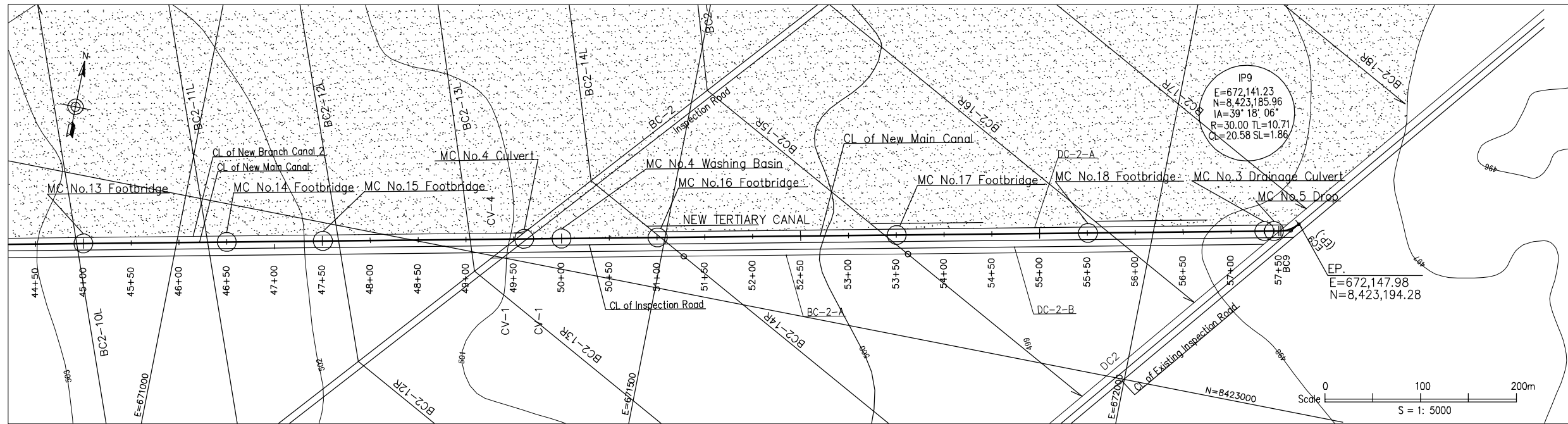
PLAN



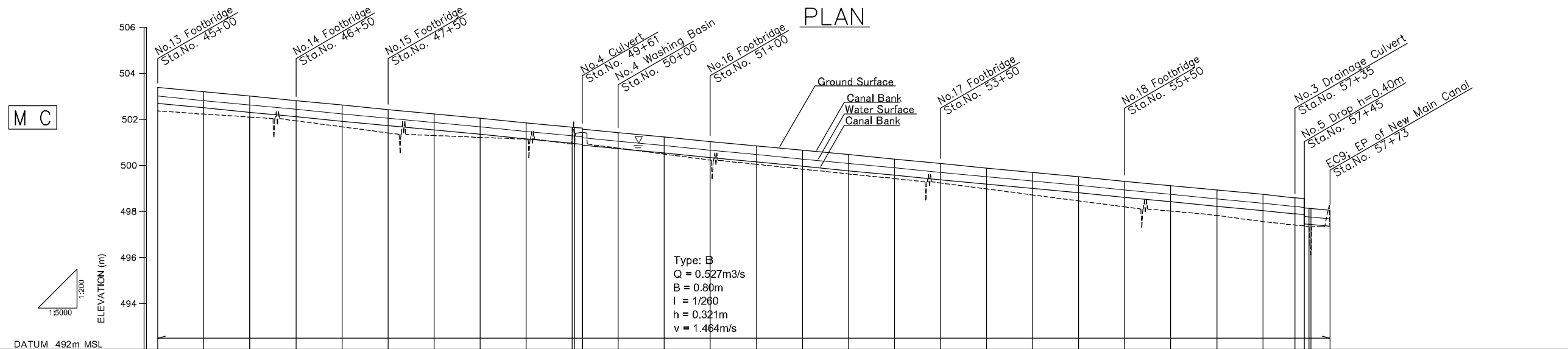
PROFILE

STATION No.	DISTANCE	ACCUMULATED DISTANCE	GROUND SURFACE ELEVATION	CANAL BASE ELEVATION	WATER SURFACE ELEVATION	CANAL BANK ELEVATION
30+00	0.00	0.00	508.51	508.75	508.14	509.75
30+50	50.00	50.00	508.22	507.90	508.29	508.90
31+00	50.00	100.00	508.00	507.75	508.14	508.75
31+50	50.00	150.00	507.89	507.59	507.98	508.59
32+00	50.00	200.00	507.78	507.44	507.83	508.44
32+50	50.00	250.00	507.54	507.29	507.68	508.29
33+00	50.00	300.00	507.30	507.14	507.53	508.14
33+30	30.09	330.09	507.16	507.05	507.44	508.05
33+50	19.91	350.00	507.11	506.99	507.38	507.99
34+00	50.00	400.00	506.89	506.84	507.23	507.84
34+50	50.00	450.00	506.68	506.69	507.08	507.69
35+00	50.00	500.00	507.33	506.53	506.92	507.53
35+03	3.13	503.13	507.38	506.55	506.94	507.55
35+06	6.26	506.39	507.38	506.46	506.92	507.46
35+08	8.40	514.79	507.38	506.46	506.92	507.46
35+10	10.54	525.33	506.54	506.45	506.84	507.45
35+50	35.33	560.66	506.33	506.34	506.73	507.34
36+00	50.00	610.66	506.12	506.19	506.58	507.19
36+50	50.00	660.66	505.91	506.04	506.43	507.04
37+00	50.00	710.66	505.70	505.89	506.28	506.89
37+50	50.00	760.66	505.50	505.74	506.13	506.74
38+00	50.00	810.66	505.32	505.58	505.97	506.58
38+50	50.00	860.66	505.12	505.43	505.82	506.43
39+00	50.00	910.66	504.93	505.28	505.67	506.28
39+50	50.00	960.66	504.73	505.13	505.52	506.13
40+00	50.00	1010.66	504.51	504.98	505.37	505.98
40+50	50.00	1060.66	504.17	504.83	505.22	505.83
40+72	21.78	1082.44	503.18	504.76	505.15	505.76
40+83	21.25	1103.69	503.98	504.70	505.09	505.70
40+88	26.88	1130.57	503.98	504.26	504.58	504.96
40+90	28.80	1159.37	503.96	504.23	504.55	504.93
41+50	50.00	1209.37	503.74	504.04	504.36	504.74
42+00	50.00	1259.37	503.48	503.85	504.17	504.55
42+50	50.00	1309.37	503.32	503.65	503.97	504.35
43+00	50.00	1359.37	503.14	503.46	503.78	504.16
43+50	50.00	1409.37	502.95	503.27	503.59	503.97
44+00	50.00	1459.37	502.77	503.08	503.40	503.78
44+50	50.00	1509.37	502.55	502.88	503.20	503.58
45+00	50.00	1559.37	502.37	502.69	503.01	503.39

THE REPUBLIC OF MALAWI
 THE PROJECT FOR REHABILITATION OF
 BWANJE VALLEY IRRIGATION SYSTEM
 TITLE OF DRAWING
 PLAN AND PROFILE OF MC (3/4)
 DRAWING NO. ID-08
 NIPPON KOEI CO., LTD.

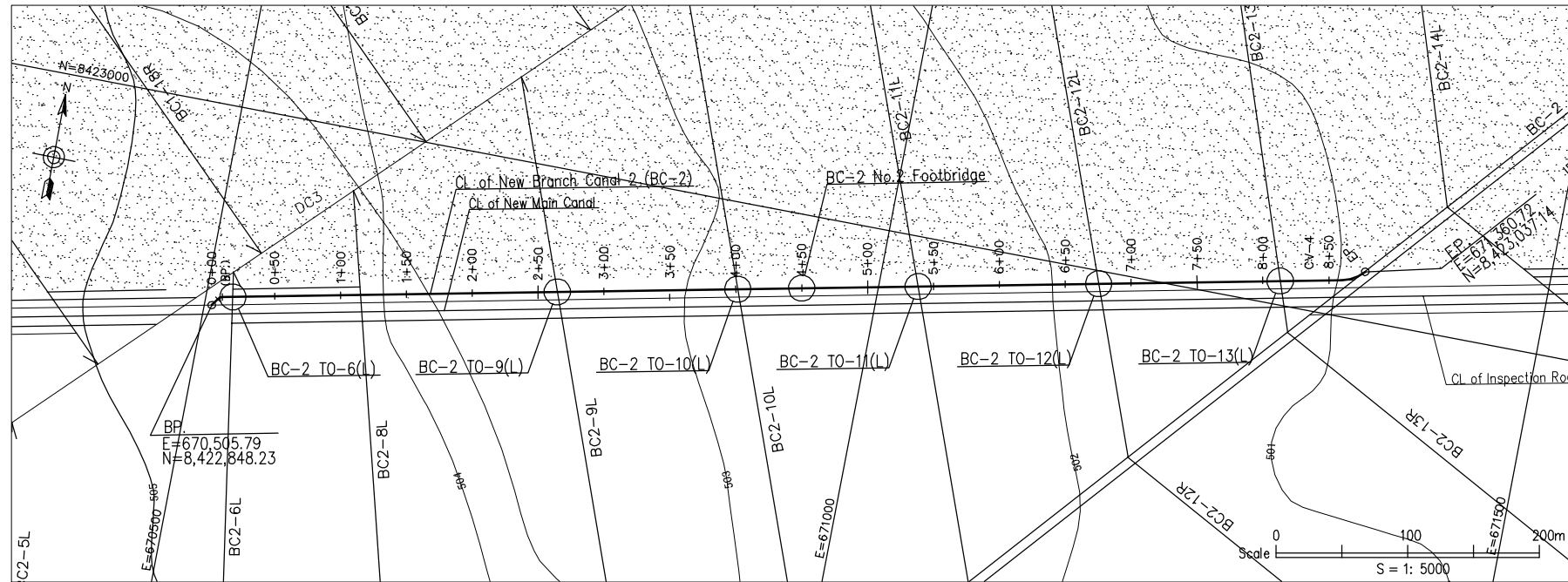


PLAN

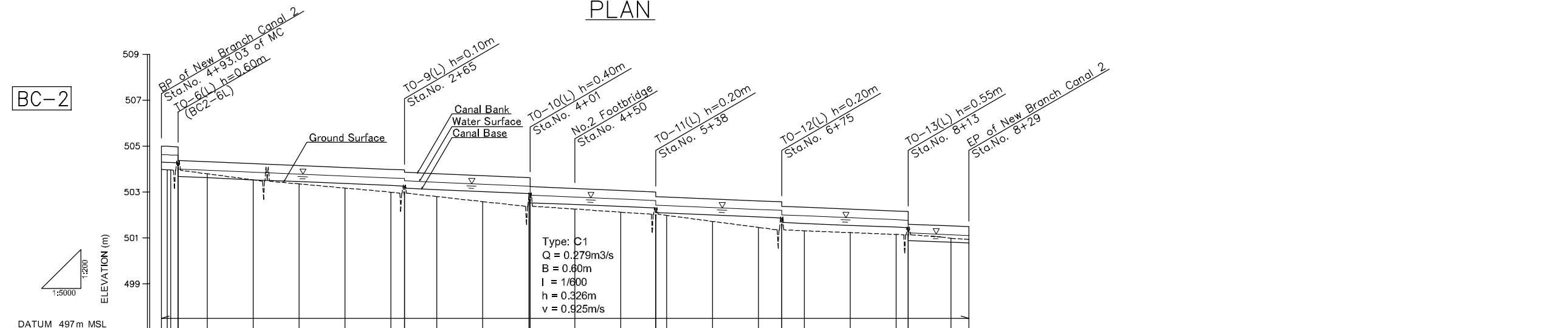


PROFILE

CANAL BANK ELEVATION	503.39	503.20	503.01	502.81	502.62	502.43	502.24	502.05	501.85	501.66	501.47	501.28	501.09	500.90	500.71	500.52	500.33	500.14	500.05	500.85	500.66	500.47	500.28	500.09	499.90	499.71	499.52	499.33	499.14	498.95	498.76	498.57	498.38	498.19	498.00	497.81	497.62	497.43	497.24	497.05	496.86	496.67	496.48	496.29	496.10	495.91	495.72	495.53	495.34	495.15	494.96	494.77	494.58	494.39	494.20	494.01	493.82	493.63	493.44	493.25	493.06	492.87	492.68	492.49	492.30	492.11	491.92	491.73	491.54	491.35	491.16	490.97	490.78	490.59	490.40	490.21	490.02	489.83	489.64	489.45	489.26	489.07	488.88	488.69	488.50	488.31	488.12	487.93	487.74	487.55	487.36	487.17	486.98	486.79	486.60	486.41	486.22	486.03	485.84	485.65	485.46	485.27	485.08	484.89	484.70	484.51	484.32	484.13	483.94	483.75	483.56	483.37	483.18	482.99	482.80	482.61	482.42	482.23	482.04	481.85	481.66	481.47	481.28	481.09	480.90	480.71	480.52	480.33	480.14	479.95	479.76	479.57	479.38	479.19	479.00	478.81	478.62	478.43	478.24	478.05	477.86	477.67	477.48	477.29	477.10	476.91	476.72	476.53	476.34	476.15	475.96	475.77	475.58	475.39	475.20	475.01	474.82	474.63	474.44	474.25	474.06	473.87	473.68	473.49	473.30	473.11	472.92	472.73	472.54	472.35	472.16	471.97	471.78	471.59	471.40	471.21	471.02	470.83	470.64	470.45	470.26	470.07	469.88	469.69	469.50	469.31	469.12	468.93	468.74	468.55	468.36	468.17	467.98	467.79	467.60	467.41	467.22	467.03	466.84	466.65	466.46	466.27	466.08	465.89	465.70	465.51	465.32	465.13	464.94	464.75	464.56	464.37	464.18	463.99	463.80	463.61	463.42	463.23	463.04	462.85	462.66	462.47	462.28	462.09	461.90	461.71	461.52	461.33	461.14	460.95	460.76	460.57	460.38	460.19	460.00	459.81	459.62	459.43	459.24	459.05	458.86	458.67	458.48	458.29	458.10	457.91	457.72	457.53	457.34	457.15	456.96	456.77	456.58	456.39	456.20	456.01	455.82	455.63	455.44	455.25	455.06	454.87	454.68	454.49	454.30	454.11	453.92	453.73	453.54	453.35	453.16	452.97	452.78	452.59	452.40	452.21	452.02	451.83	451.64	451.45	451.26	451.07	450.88	450.69	450.50	450.31	450.12	449.93	449.74	449.55	449.36	449.17	448.98	448.79	448.60	448.41	448.22	448.03	447.84	447.65	447.46	447.27	447.08	446.89	446.70	446.51	446.32	446.13	445.94	445.75	445.56	445.37	445.18	444.99	444.80	444.61	444.42	444.23	444.04	443.85	443.66	443.47	443.28	443.09	442.90	442.71	442.52	442.33	442.14	441.95	441.76	441.57	441.38	441.19	441.00	440.81	440.62	440.43	440.24	440.05	439.86	439.67	439.48	439.29	439.10	438.91	438.72	438.53	438.34	438.15	437.96	437.77	437.58	437.39	437.20	437.01	436.82	436.63	436.44	436.25	436.06	435.87	435.68	435.49	435.30	435.11	434.92	434.73	434.54	434.35	434.16	433.97	433.78	433.59	433.40	433.21	433.02	432.83	432.64	432.45	432.26	432.07	431.88	431.69	431.50	431.31	431.12	430.93	430.74	430.55	430.36	430.17	429.98	429.79	429.60	429.41	429.22	429.03	428.84	428.65	428.46	428.27	428.08	427.89	427.70	427.51	427.32	427.13	426.94	426.75	426.56	426.37	426.18	425.99	425.80	425.61	425.42	425.23	425.04	424.85	424.66	424.47	424.28	424.09	423.90	423.71	423.52	423.33	423.14	422.95	422.76	422.57	422.38	422.19	422.00	421.81	421.62	421.43	421.24	421.05	420.86	420.67	420.48	420.29	420.10	419.91	419.72	419.53	419.34	419.15	418.96	418.77	418.58	418.39	418.20	418.01	417.82	417.63	417.44	417.25	417.06	416.87	416.68	416.49	416.30	416.11	415.92	415.73	415.54	415.35	415.16	414.97	414.78	414.59	414.40	414.21	414.02	413.83	413.64	413.45	413.26	413.07	412.88	412.69	412.50	412.31	412.12	411.93	411.74	411.55	411.36	411.17	410.98	410.79	410.60	410.41	410.22	410.03	409.84	409.65	409.46	409.27	409.08	408.89	408.70	408.51	408.32	408.13	407.94	407.75	407.56	407.37	407.18	406.99	406.80	406.61	406.42	406.23	406.04	405.85	405.66	405.47	405.28	405.09	404.90	404.71	404.52	404.33	404.14	403.95	403.76	403.57	403.38	403.19	403.00	402.81	402.62	402.43	402.24	402.05	401.86	401.67	401.48	401.29	401.10	400.91	400.72	400.53	400.34	400.15	399.96	399.77	399.58	399.39	399.20	399.01	398.82	398.63	398.44	398.25	398.06	397.87	397.68	397.49	397.30	397.11	396.92	396.73	396.54	396.35	396.16	395.97	395.78	395.59	395.40	395.21	395.02	394.83	394.64	394.45	394.26	394.07	393.88	393.69	393.50	393.31	393.12	392.93	392.74	392.55	392.36	392.17	391.98	391.79	391.60	391.41	391.22	391.03	390.84	390.65	390.46	390.27	390.08	389.89	389.70	389.51	389.32	389.13	388.94	388.75	388.56	388.37	388.18	387.99	387.80	387.61	387.42	387.23	387.04	386.85	386.66	386.47	386.28	386.09	385.90	385.71	385.52	385.33	385.14	384.95	384.76	384.57	384.38	384.19	384.00	383.81	383.62	383.43	383.24	383.05	382.86	382.67	382.48	382.29	382.10	381.91	381.72	381.53	381.34	381.15	380.96	380.77	380.58	380.39	380.20	380.01	379.82	379.63	379.44	379.25	379.06	378.87	378.68	378.49	378.30	378.11	377.92	377.73	377.54	377.35	377.16	376.97	376.78	376.59	376.40	376.21	376.02	375.83	375.64	375.45	375.26	375.07	374.88	374.69	374.50	374.31	374.12	373.93	373.74	373.55	373.36	373.17	372.98	372.79	372.60	372.41	372.22	372.03	371.84	371.65	371.46	371.27	371.08	370.89	370.70	370.51	370.32	370.13	369.94	369.75	369.56	369.37	369.18	368.99	368.80	368.61	368.42	368.23	368.04	367.85	367.66	367.47	367.28	367.09	366.90	366.71	366.52	366.33	366.14	365.95	365.76	365.57	365.38	365.19	365.00	364.81	364.62	364.43	364.24	364.05	363.86	363.67	363.48	363.29	363.10	362.91	362.72	362.53	362.34	362.15	361.96	361.77	361.58	361.39	361.20	361.01	360.82	360.63	360.44	360.25	360.06	359.87	359.68	359.49	359.30	359.11	358.92	358.73	358.54	358.35	358.16	357.97	357.78	357.59	357.40	357.21	357.02	356.83	356.64	356.45	356.26	356.07	355.88	355.69	355.50	355.31	355.12	354.93	354.74	354.55	354.36	354.17	353.98	353.79	353.60	353.41	353.22	353.03	352.84	352.65	352.46	352.27	352.08	351.89	351.70	351.51	351.32	351.13	350.94	350.75	350.56	350.37	350.18	349.99	349.80	349.61	349.42	349.23	349.04	348.85	348.66	348.47	348.28	348.09	347.90	347.71	347.52	347.33	347.14	346.95	346.76	346.57	346.38	346.19	346.00	345.81	345.62	345.43	345.24	345.05	344.86	344.67	344.48	344.29	344.10	343.91	343.72	343.53	343.34	343.15	342.96	342.77	342.58	342.39	342.20	342.01	341.82	341.63	341.44	341.25	341.06	340.87	340.68	340.49	340.30	340.11	339.92	339.73	339.54	339.35	339.16	338.97	338.78	338.59	338.40	338.21	338.02	337.83	337.64	337.45	337.26	337.07	336.88	336.69	336.50	336.31	336.12	335.93	335.74	335.55	335.36	335.17	334.98	334.79	334.60	334.41	334.22	334.03	333.84	333.65	333.46	333.27	333.08	332.89	332.70	332.51	332.32	332.13	331.94	331.75	331.56	331.37	331.18	330.99	330.80	330.61	330.42	330.23	330.04	329.85	329.66	329.47	329.28	329.09	328.90	328.71	328.52	328.33	328.14	327.95	327.76	327.57	327.38	327.19	327.00	326.81	326.62	326.43	326.24	326.05	325.86	325.67	325.48	325.29	325.10	324.91	324.72	324.53	324.34	324.15	323.96	323.77	323.58	323.39	323.20	323.01	322.82	322.63	322.44	322.25	322.06	321.87	321.68	321.49	321.30	321.11	320.92	320.73	320.54	320.35	320.16	319.97	319.78	319.59	319.40	319.21	319.02	318.83	318.64	318.45	318.26	318.07	317.88	317.69	317.50	317.31	317.12	316.93	316.74	316.55	316.36	316.17	315.98	315.79	315.60	315.41	315.22	315.03	314.84	314.65	314.46	314.27	314.08	313.89	313.70	313.51	313.32	313.13	312.94	312.75	312.56	312.37	312.18	311.99	311.80	311.61	311.42	311.23	311.04	310.85	310.66	310.47	310.28	310.09	309.90	309.71	309.52	309.33	309.14	308.95	308.76	308.57	308.38	308.19	308.00	307.81	307.62	307.43	307.24	307.05	306.86	306.67	306.48	306.29	306.10	305.91	305.72	305.53	305.34	305.15	304.96	304.77	304.58	304.39	304.20	304.01	303.82	303.63	3
----------------------	--------	--------	--------	--------	--------	--------	--------	--------	--------	--------	--------	--------	--------	--------	--------	--------	--------	--------	--------	--------	--------	--------	--------	--------	--------	--------	--------	--------	--------	--------	--------	--------	--------	--------	--------	--------	--------	--------	--------	--------	--------	--------	--------	--------	--------	--------	--------	--------	--------	--------	--------	--------	--------	--------	--------	--------	--------	--------	--------	--------	--------	--------	--------	--------	--------	--------	--------	--------	--------	--------	--------	--------	--------	--------	--------	--------	--------	--------	--------	--------	--------	--------	--------	--------	--------	--------	--------	--------	--------	--------	--------	--------	--------	--------	--------	--------	--------	--------	--------	--------	--------	--------	--------	--------	--------	--------	--------	--------	--------	--------	--------	--------	--------	--------	--------	--------	--------	--------	--------	--------	--------	--------	--------	--------	--------	--------	--------	--------	--------	--------	--------	--------	--------	--------	--------	--------	--------	--------	--------	--------	--------	--------	--------	--------	--------	--------	--------	--------	--------	--------	--------	--------	--------	--------	--------	--------	--------	--------	--------	--------	--------	--------	--------	--------	--------	--------	--------	--------	--------	--------	--------	--------	--------	--------	--------	--------	--------	--------	--------	--------	--------	--------	--------	--------	--------	--------	--------	--------	--------	--------	--------	--------	--------	--------	--------	--------	--------	--------	--------	--------	--------	--------	--------	--------	--------	--------	--------	--------	--------	--------	--------	--------	--------	--------	--------	--------	--------	--------	--------	--------	--------	--------	--------	--------	--------	--------	--------	--------	--------	--------	--------	--------	--------	--------	--------	--------	--------	--------	--------	--------	--------	--------	--------	--------	--------	--------	--------	--------	--------	--------	--------	--------	--------	--------	--------	--------	--------	--------	--------	--------	--------	--------	--------	--------	--------	--------	--------	--------	--------	--------	--------	--------	--------	--------	--------	--------	--------	--------	--------	--------	--------	--------	--------	--------	--------	--------	--------	--------	--------	--------	--------	--------	--------	--------	--------	--------	--------	--------	--------	--------	--------	--------	--------	--------	--------	--------	--------	--------	--------	--------	--------	--------	--------	--------	--------	--------	--------	--------	--------	--------	--------	--------	--------	--------	--------	--------	--------	--------	--------	--------	--------	--------	--------	--------	--------	--------	--------	--------	--------	--------	--------	--------	--------	--------	--------	--------	--------	--------	--------	--------	--------	--------	--------	--------	--------	--------	--------	--------	--------	--------	--------	--------	--------	--------	--------	--------	--------	--------	--------	--------	--------	--------	--------	--------	--------	--------	--------	--------	--------	--------	--------	--------	--------	--------	--------	--------	--------	--------	--------	--------	--------	--------	--------	--------	--------	--------	--------	--------	--------	--------	--------	--------	--------	--------	--------	--------	--------	--------	--------	--------	--------	--------	--------	--------	--------	--------	--------	--------	--------	--------	--------	--------	--------	--------	--------	--------	--------	--------	--------	--------	--------	--------	--------	--------	--------	--------	--------	--------	--------	--------	--------	--------	--------	--------	--------	--------	--------	--------	--------	--------	--------	--------	--------	--------	--------	--------	--------	--------	--------	--------	--------	--------	--------	--------	--------	--------	--------	--------	--------	--------	--------	--------	--------	--------	--------	--------	--------	--------	--------	--------	--------	--------	--------	--------	--------	--------	--------	--------	--------	--------	--------	--------	--------	--------	--------	--------	--------	--------	--------	--------	--------	--------	--------	--------	--------	--------	--------	--------	--------	--------	--------	--------	--------	--------	--------	--------	--------	--------	--------	--------	--------	--------	--------	--------	--------	--------	--------	--------	--------	--------	--------	--------	--------	--------	--------	--------	--------	--------	--------	--------	--------	--------	--------	--------	--------	--------	--------	--------	--------	--------	--------	--------	--------	--------	--------	--------	--------	--------	--------	--------	--------	--------	--------	--------	--------	--------	--------	--------	--------	--------	--------	--------	--------	--------	--------	--------	--------	--------	--------	--------	--------	--------	--------	--------	--------	--------	--------	--------	--------	--------	--------	--------	--------	--------	--------	--------	--------	--------	--------	--------	--------	--------	--------	--------	--------	--------	--------	--------	--------	--------	--------	--------	--------	--------	--------	--------	--------	--------	--------	--------	--------	--------	--------	--------	--------	--------	--------	--------	--------	--------	--------	--------	--------	--------	--------	--------	--------	--------	--------	--------	--------	--------	--------	--------	--------	--------	--------	--------	--------	--------	--------	--------	--------	--------	--------	--------	--------	--------	--------	--------	--------	--------	--------	--------	--------	--------	--------	--------	--------	--------	--------	--------	--------	--------	--------	--------	--------	--------	--------	--------	--------	--------	--------	--------	--------	--------	--------	--------	--------	--------	--------	--------	--------	--------	--------	--------	--------	--------	--------	--------	--------	--------	--------	--------	--------	--------	--------	--------	--------	--------	--------	--------	--------	--------	--------	--------	--------	--------	--------	--------	--------	--------	--------	--------	--------	--------	--------	--------	--------	--------	--------	--------	--------	--------	--------	--------	--------	--------	--------	--------	--------	--------	--------	--------	--------	--------	--------	--------	--------	--------	--------	--------	--------	--------	--------	--------	--------	--------	--------	--------	--------	--------	--------	--------	--------	--------	--------	--------	--------	--------	--------	--------	--------	--------	--------	--------	--------	--------	--------	--------	--------	--------	--------	--------	--------	--------	--------	--------	--------	--------	--------	--------	--------	--------	--------	--------	--------	--------	--------	--------	--------	--------	--------	--------	--------	--------	--------	--------	--------	--------	--------	--------	--------	--------	--------	--------	--------	--------	--------	--------	--------	--------	--------	--------	--------	--------	--------	--------	--------	--------	--------	--------	--------	--------	--------	--------	--------	--------	--------	--------	--------	--------	--------	--------	--------	--------	--------	--------	--------	--------	--------	--------	--------	--------	--------	--------	--------	--------	--------	--------	--------	--------	--------	--------	--------	--------	--------	--------	--------	--------	--------	--------	--------	--------	--------	--------	--------	--------	--------	--------	--------	--------	--------	--------	--------	--------	--------	--------	--------	--------	--------	--------	--------	--------	--------	--------	--------	--------	--------	--------	--------	--------	--------	--------	--------	--------	--------	--------	--------	--------	--------	--------	--------	--------	--------	--------	--------	--------	--------	--------	--------	--------	--------	--------	--------	--------	--------	--------	--------	--------	--------	--------	--------	--------	--------	--------	--------	--------	--------	--------	--------	--------	--------	--------	--------	--------	--------	--------	--------	--------	--------	--------	--------	--------	--------	--------	--------	--------	--------	--------	--------	--------	--------	--------	--------	--------	--------	--------	--------	--------	--------	--------	--------	--------	--------	--------	--------	--------	--------	--------	--------	--------	--------	--------	--------	--------	--------	--------	--------	--------	--------	--------	--------	--------	--------	--------	--------	--------	--------	--------	--------	--------	--------	--------	--------	--------	--------	--------	--------	--------	--------	--------	--------	--------	--------	--------	--------	--------	--------	--------	--------	--------	--------	--------	--------	--------	--------	--------	--------	--------	--------	--------	--------	--------	--------	--------	--------	--------	--------	--------	--------	--------	--------	--------	--------	--------	--------	--------	--------	--------	--------	--------	--------	--------	--------	--------	--------	--------	---



PLAN



STATION No.	DISTANCE	ACCUMULATED DISTANCE	GROUND SURFACE ELEVATION	CANAL BASE ELEVATION	WATER SURFACE ELEVATION	CANAL BANK ELEVATION
0+00	0.00	0.00	503.98	504.30	504.63	505.00
0+18	7.99	7.99	503.97	504.29	504.62	504.99
0+50	31.67	39.66	503.96	504.28	504.61	504.98
1+00	50.00	89.66	503.53	503.53	503.86	504.23
1+50	50.00	139.66	503.35	503.45	503.78	504.15
2+00	50.00	189.66	503.17	503.37	503.69	504.07
2+50	50.00	239.66	502.99	503.28	503.61	503.98
2+65	14.57	254.23	502.81	503.26	503.59	503.96
3+00	35.43	294.66	502.81	503.16	503.49	503.86
3+50	50.00	344.66	502.80	503.10	503.43	503.80
4+00	50.00	394.66	502.58	503.02	503.34	503.72
4+01	0.00	394.66	502.84	502.93	503.26	503.63
4+50	48.53	443.19	502.47	502.53	502.86	503.23
5+00	50.00	493.19	502.26	502.45	502.78	503.15
5+38	38.30	531.49	502.12	502.37	502.69	503.07
5+50	11.70	543.19	501.80	502.30	502.63	503.00
6+00	50.00	593.19	501.88	502.08	502.41	502.78
6+50	50.00	643.19	501.72	502.00	502.33	502.70
6+75	25.29	668.48	501.46	501.92	502.24	502.62
7+00	24.71	693.19	501.41	501.87	502.20	502.57
7+50	50.00	743.19	501.41	501.67	502.00	502.37
8+00	50.00	793.19	501.31	501.63	501.96	502.33
8+13	13.08	806.27	501.23	501.55	501.88	502.25
8+29	0.00	806.27	501.15	501.47	501.79	502.17
8+50	46.52	852.79	500.97	501.44	501.77	502.14
BC.2	19.48	872.27	500.97	500.89	501.22	501.59
EC.2	19.48	891.75	500.99	500.82	501.14	501.52
			500.93	500.78	501.11	501.48

PROFILE

THE REPUBLIC OF MALAWI	
THE PROJECT FOR REHABILITATION OF BWANJE VALLEY IRRIGATION SYSTEM	
TITLE OF DRAWING	
PLAN AND PROFILE OF BC-2	
DRAWING NO.	ID-11
NIPPON KOEI CO., LTD.	