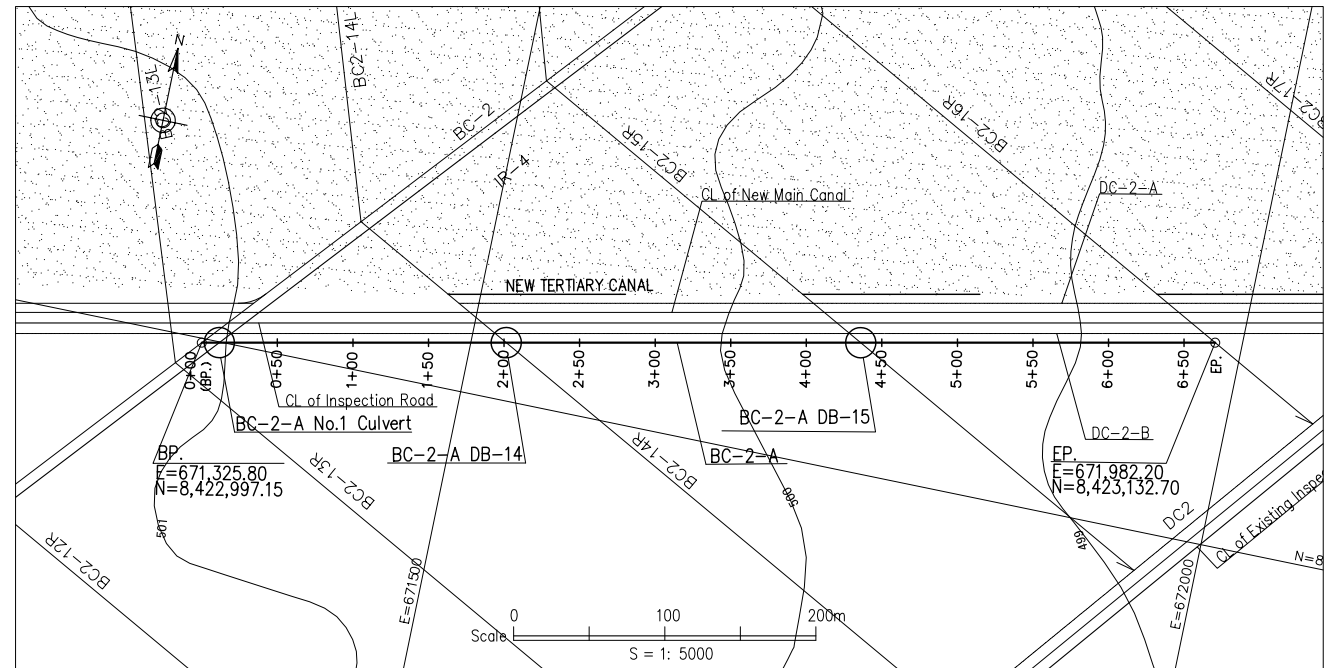
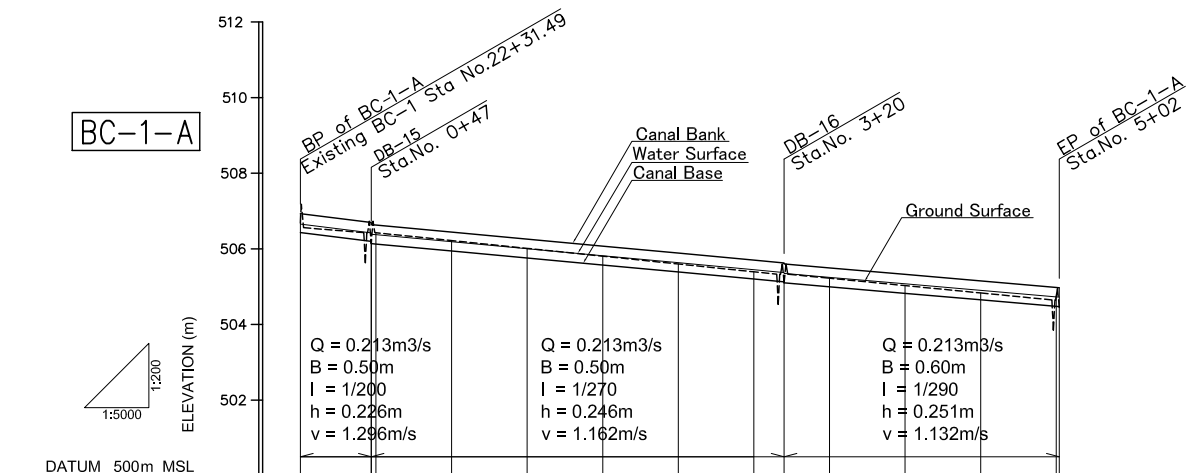


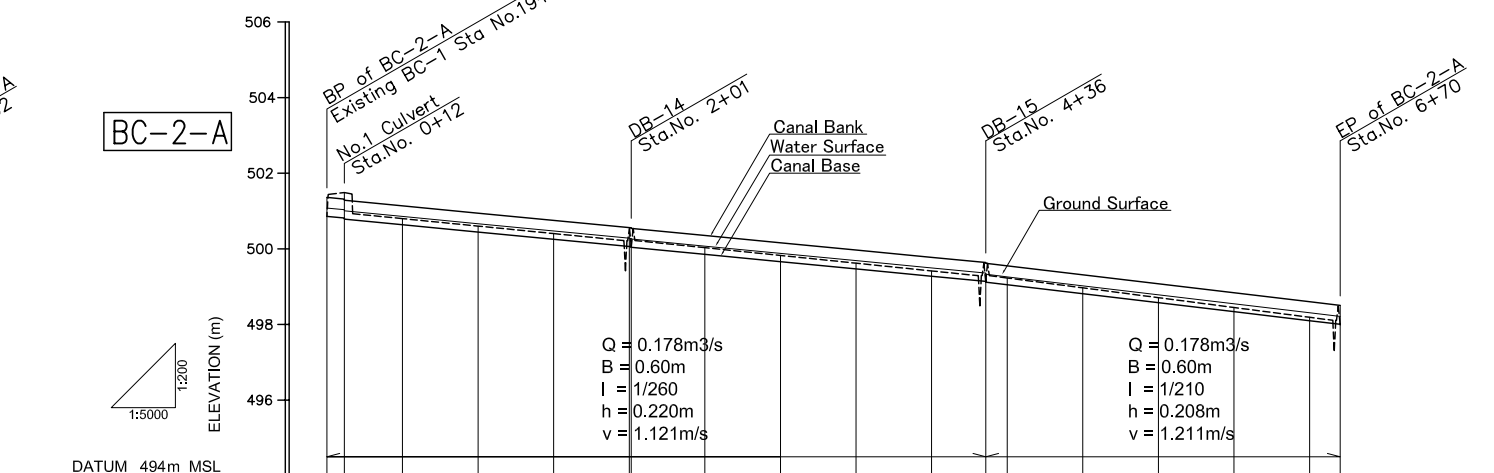
PLAN of BC-1-A



PLAN of BC-2-A



PROFILE of BC-1-A

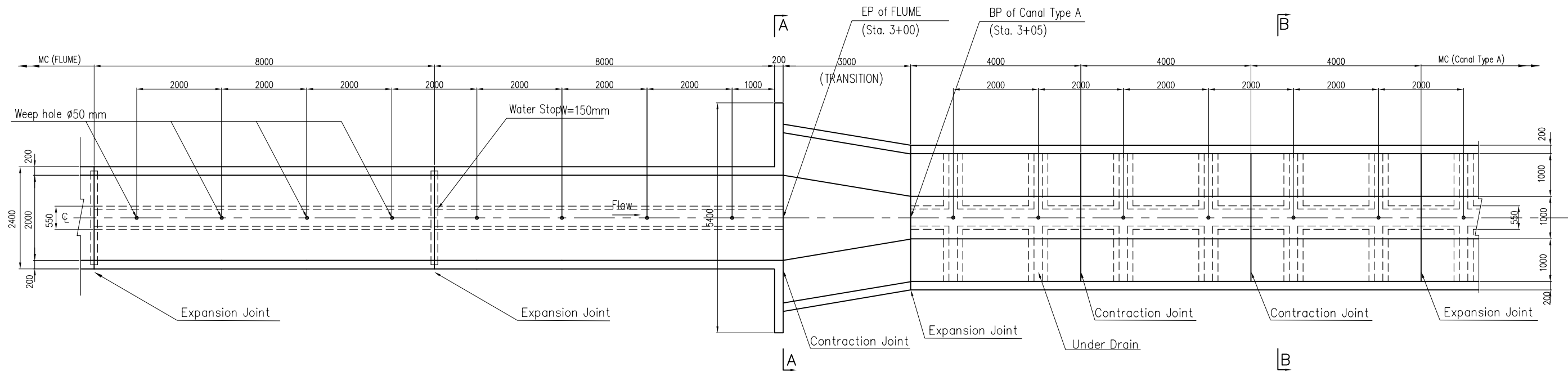


PROFILE of BC-2-A

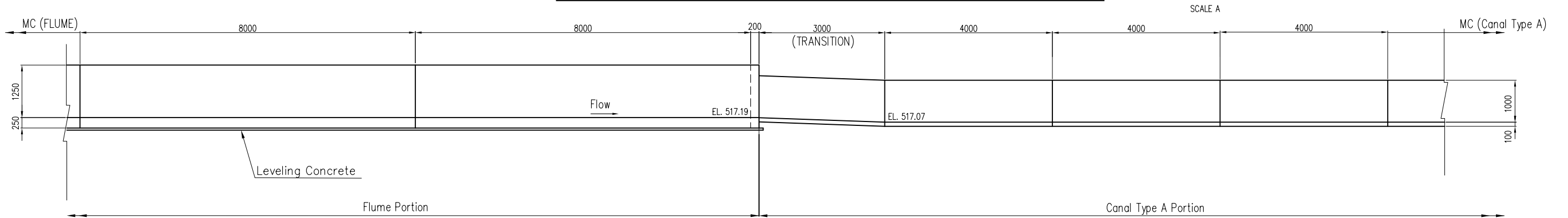
CANAL BANK ELEVATION	506.93	506.70	506.64	506.63	506.44	506.26	506.07	505.89	505.70	505.45	505.37	505.63	505.60	505.32	505.15	504.98
WATER SURFACE ELEVATION	506.66	506.42	506.39	506.37	506.19	506.00	505.82	505.63	505.45	505.37	505.63	505.60	505.32	505.15	504.98	504.81
CANAL BASE ELEVATION	506.43	506.20	506.14	506.13	505.94	505.76	505.57	505.39	505.20	505.13	505.35	505.60	505.32	505.15	504.98	504.81
GROUND SURFACE ELEVATION	506.68	506.14	506.14	506.43	506.22	506.01	505.81	505.60	505.39	505.10	505.10	505.60	505.32	505.15	504.98	504.81
ACCUMULATED DISTANCE	0.00	46.84	50.00	50.00	100.00	150.00	200.00	250.00	300.00	319.98	350.00	350.00	400.00	450.00	500.00	502.00
DISTANCE	0.00	46.84	3.16	50.00	50.00	50.00	50.00	50.00	50.00	18.02	30.02	50.00	50.00	50.00	50.00	50.00
STATION No.	0+00	0+47	0+50	1+00	1+50	2+00	2+50	3+00	3+20	3+50	4+00	4+50	5+00	5+50	6+00	6+70

CANAL BANK ELEVATION	501.36	501.32	501.29	501.14	500.95	500.75	500.56	500.56	500.54	500.35	500.16	499.97	499.78	499.59	499.31	499.08	498.84	498.60	498.50
WATER SURFACE ELEVATION	501.08	501.04	501.01	500.86	500.67	500.47	500.28	500.28	500.26	500.07	499.88	499.69	499.50	499.31	499.02	498.78	498.55	498.31	498.21
CANAL BASE ELEVATION	500.86	500.82	500.79	500.64	500.45	500.25	500.06	500.06	500.04	499.85	499.66	499.47	499.28	499.02	498.81	498.58	498.34	498.10	498.00
GROUND SURFACE ELEVATION	500.86	501.49	501.49	500.80	500.60	500.40	500.04	500.04	500.04	500.03	499.83	499.62	499.42	499.22	498.97	498.71	498.45	498.19	497.99
ACCUMULATED DISTANCE	0.00	11.58	50.00	100.00	150.00	200.00	201.35	250.00	300.00	350.00	400.00	435.80	450.00	500.00	550.00	600.00	650.00	670.24	670.24
DISTANCE	0.00	11.58	38.42	50.00	50.00	50.00	0.00	48.65	50.00	30.02	50.00	35.80	14.20	50.00	50.00	50.00	50.00	20.24	0.00
STATION No.	0+00	0+12	0+50	1+00	1+50	2+00	2+01	2+50	3+00	3+50	4+00	4+36	4+50	5+00	5+50	6+00	6+50	6+70	6+70

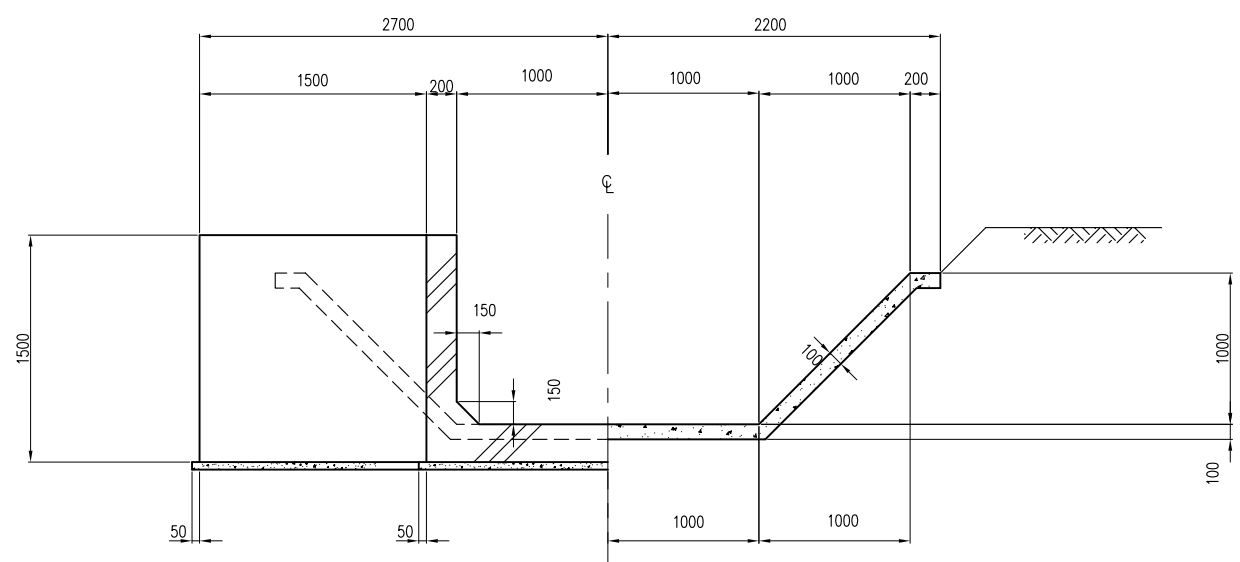
THE REPUBLIC OF MALAWI
 THE PROJECT FOR REHABILITATION OF
 BWANJE VALLEY IRRIGATION SYSTEM
 TITLE OF DRAWING
 支線水路NO.1-A、2-A
 平面・縦断面
 DRAWING NO. ID-12
 NIPPON KOEI CO., LTD.



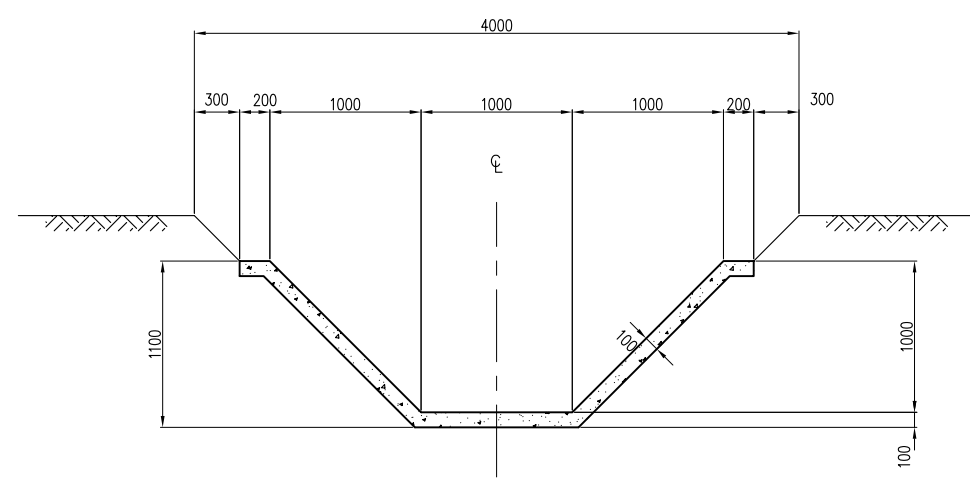
PLAN OF TRANSITION BETWEEN FLUME AND CANAL TYPE A



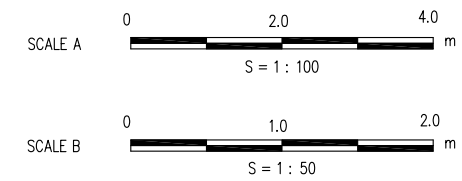
PROFILE



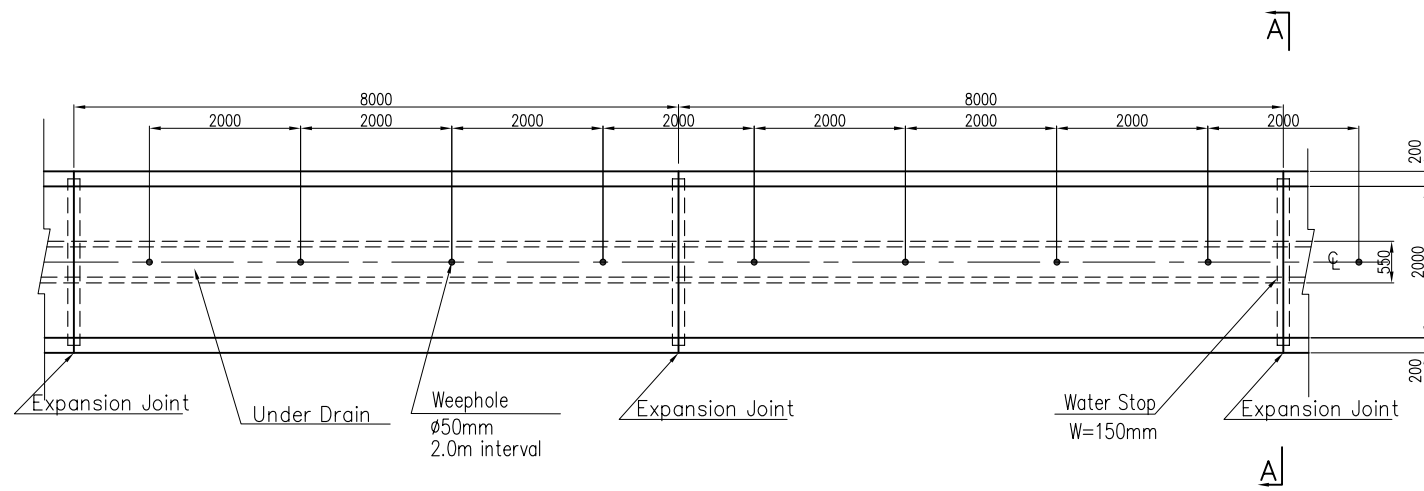
SECTION A-A
SCALE B



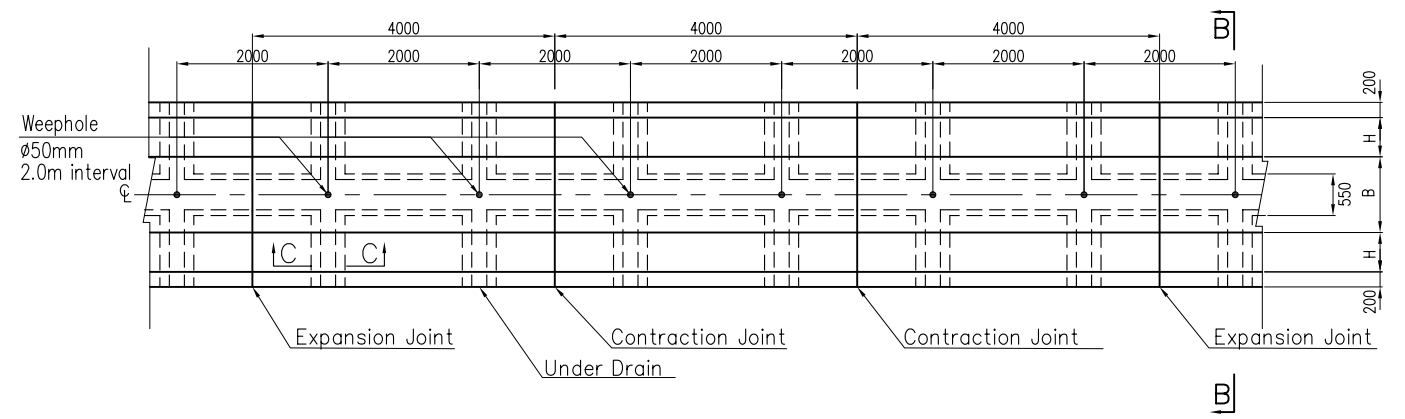
SECTION B-B
SCALE B



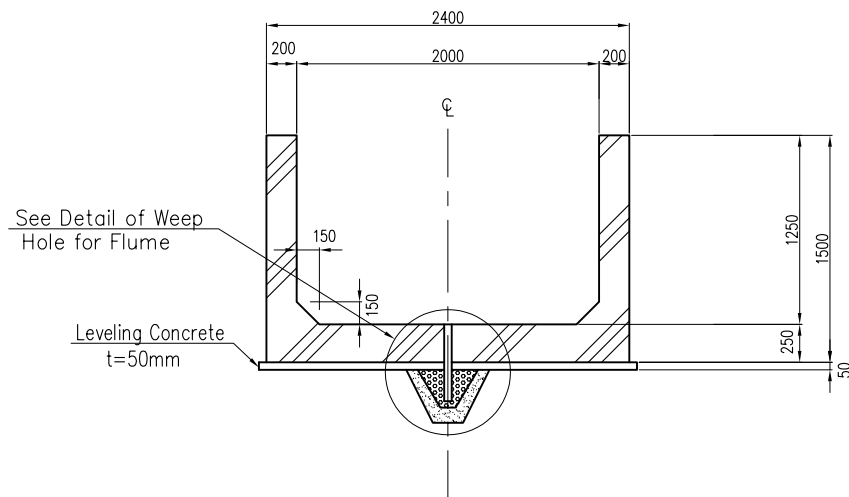
THE REPUBLIC OF MALAWI	
THE PROJECT FOR REHABILITATION OF BWANJE VALLEY IRRIGATION SYSTEM	
TITLE OF DRAWING フルーム・ライニング水路接続部	
DRAWING NO.	ID-13
NIPPON KOEI CO., LTD.	



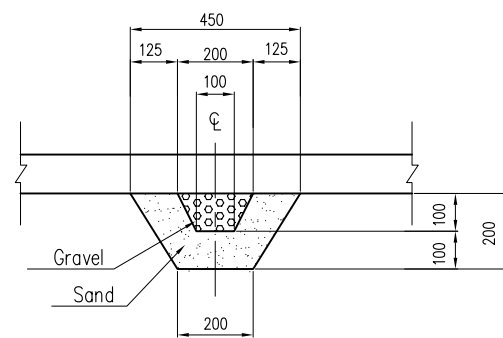
PLAN FOR FLUME
SCALE A



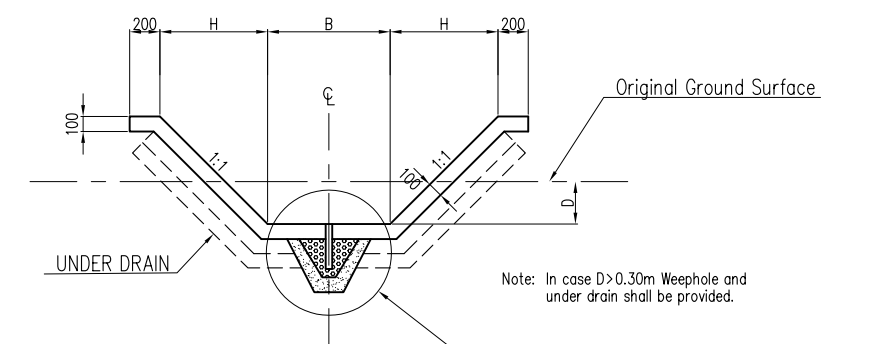
PLAN FOR LINING
SCALE A



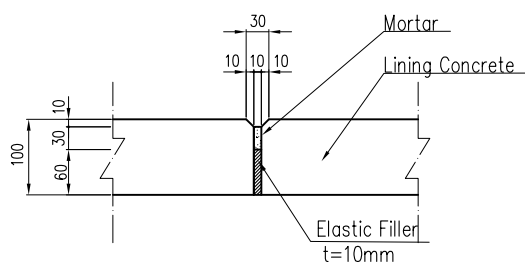
SECTION A-A
SCALE B



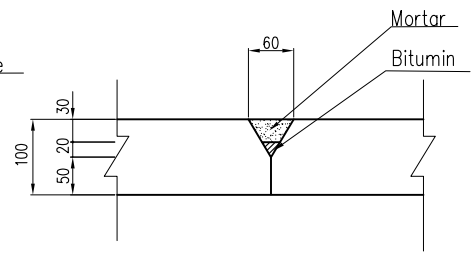
SECTION C-C
SCALE C



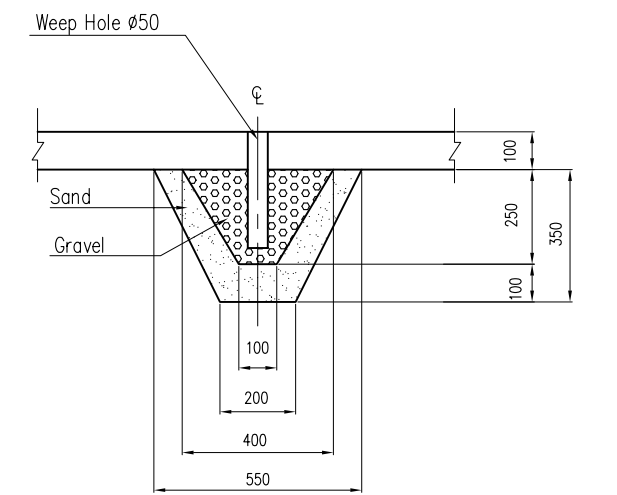
SECTION B-B
SCALE B



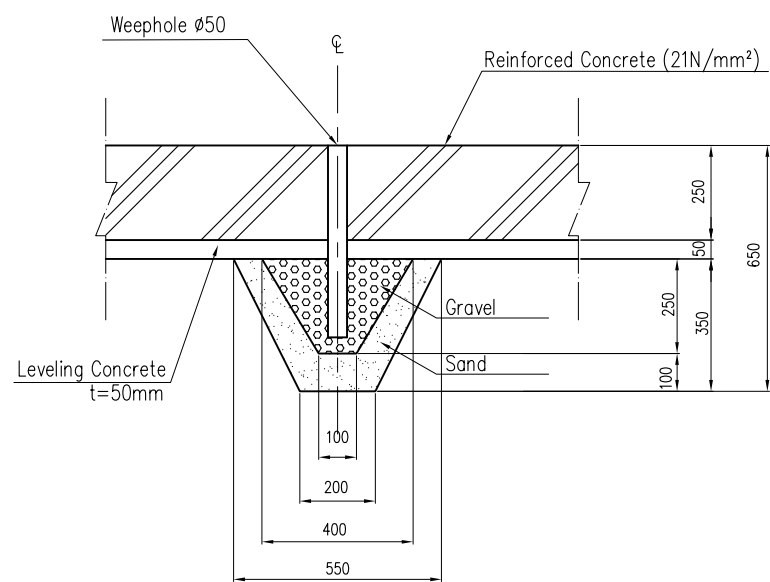
DETAIL OF EXPANSION
JOINT FOR LINING
SCALE D



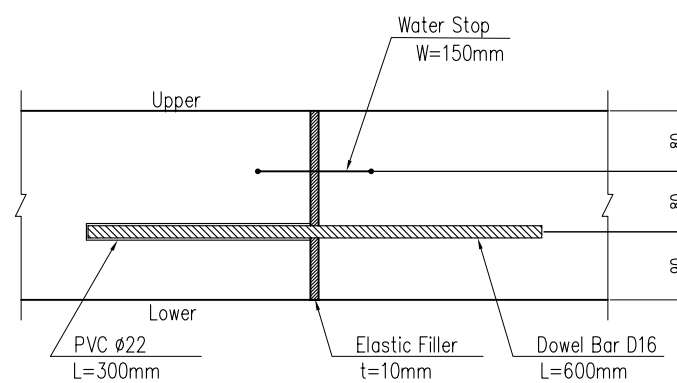
DETAIL OF CONTRACTION
JOINT FOR LINING
SCALE D



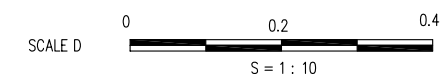
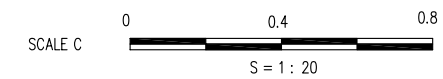
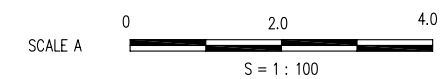
DETAIL OF WEEP HOLE FOR LINING
SCALE C



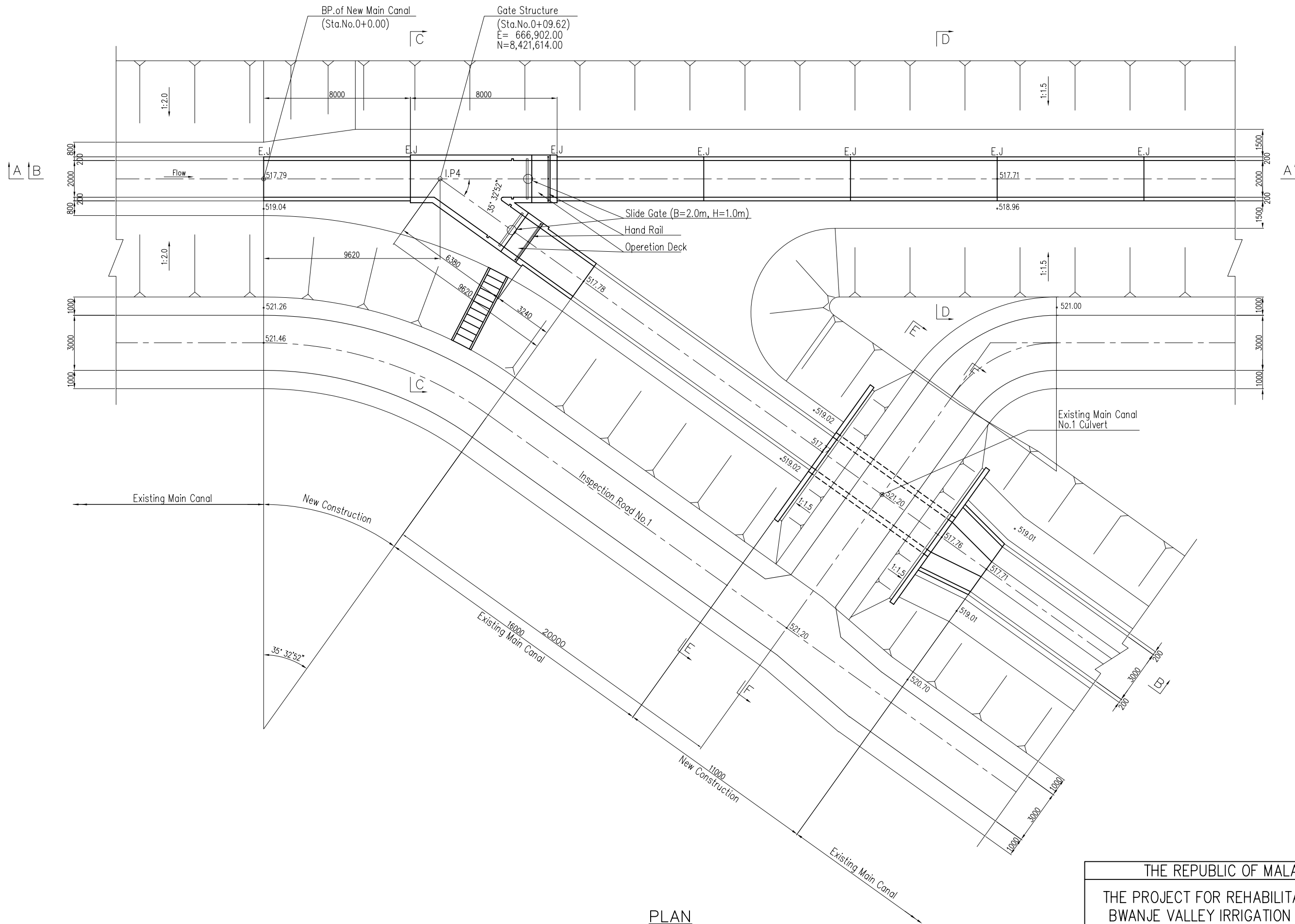
DETAIL OF WEEP HOLE FOR FLUME
SCALE C



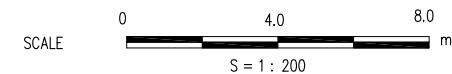
DETAIL OF EXPANSION
JOINT FOR FLUME
SCALE D



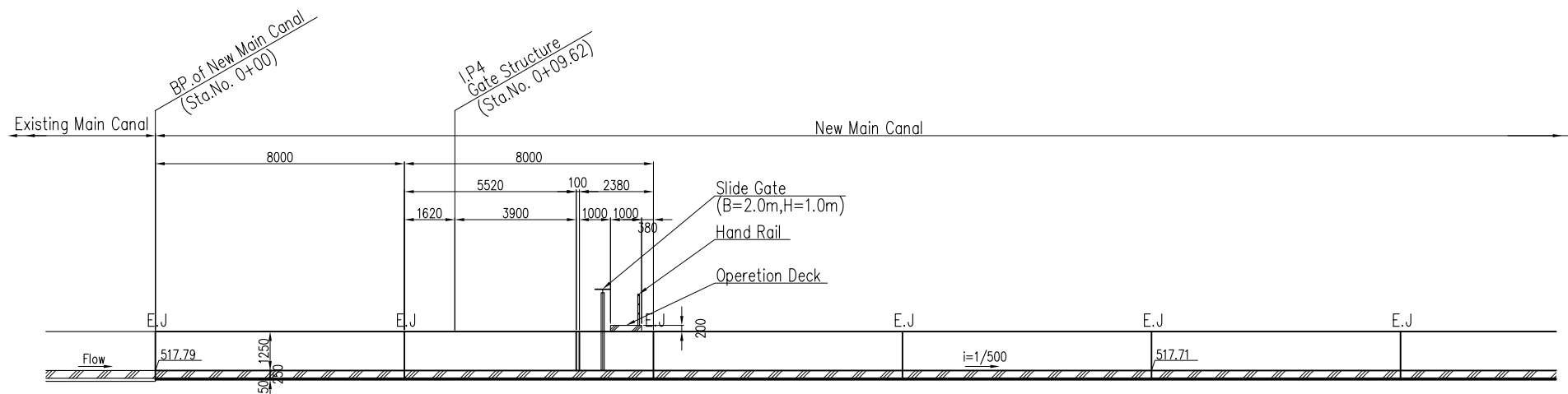
THE REPUBLIC OF MALAWI	
THE PROJECT FOR REHABILITATION OF BWANJE VALLEY IRRIGATION SYSTEM	
TITLE OF DRAWING アンダードレイン・継目詳細図	
DRAWING NO.	ID-14
NIPPON KOEI CO., LTD.	



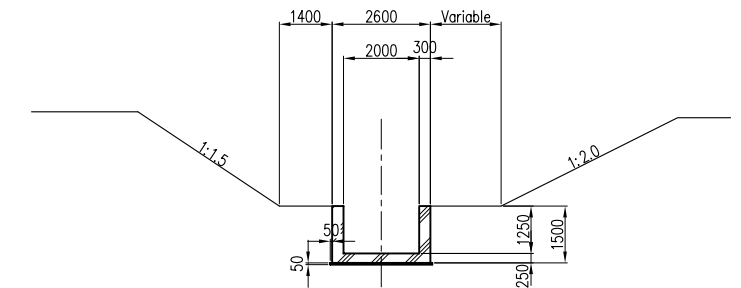
PLAN



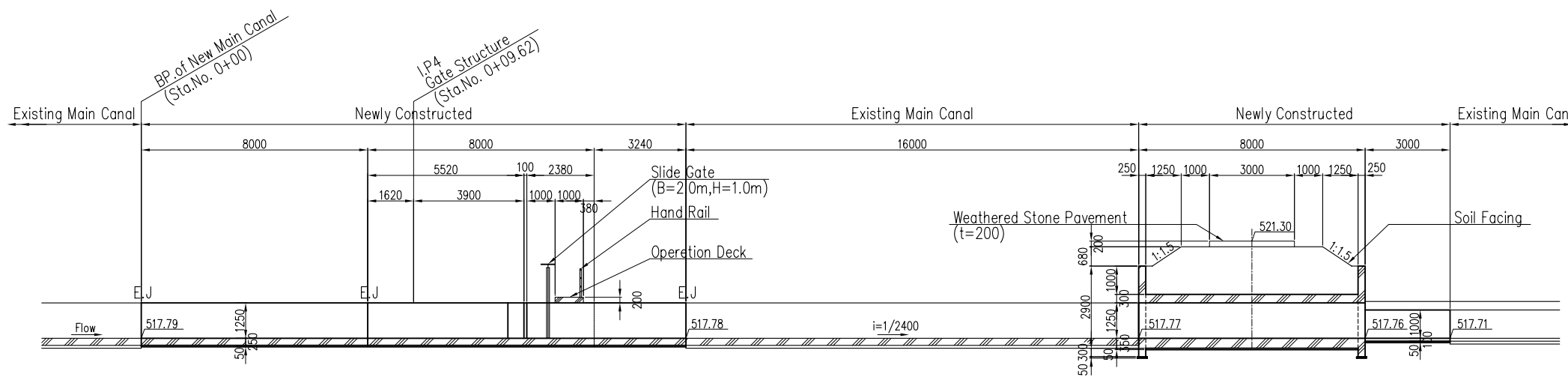
THE REPUBLIC OF MALAWI	
THE PROJECT FOR REHABILITATION OF BWANJE VALLEY IRRIGATION SYSTEM	
TITLE OF DRAWING	
分水ゲート (1/2)	
DRAWING NO.	ID-15
NIPPON KOEI CO., LTD.	



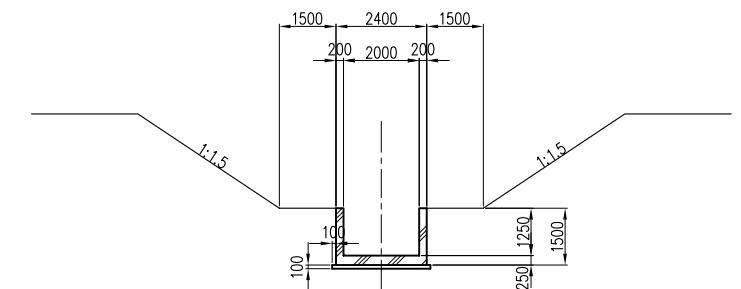
SECTION A-A



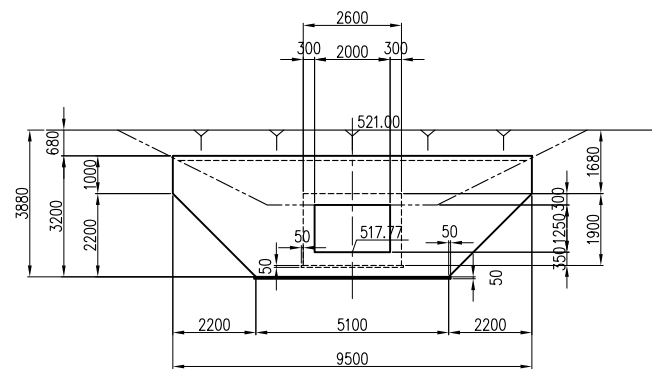
SECTION C-C



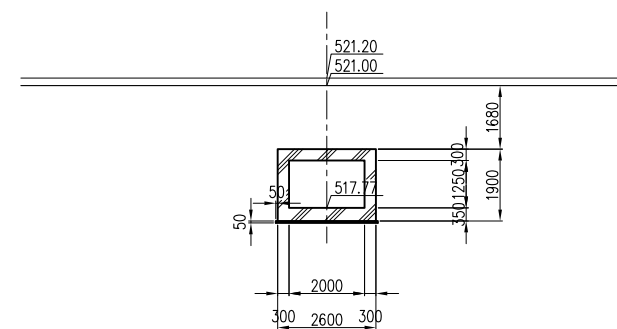
SECTION B-B



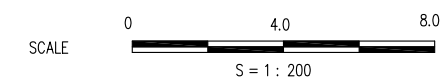
SECTION D-D



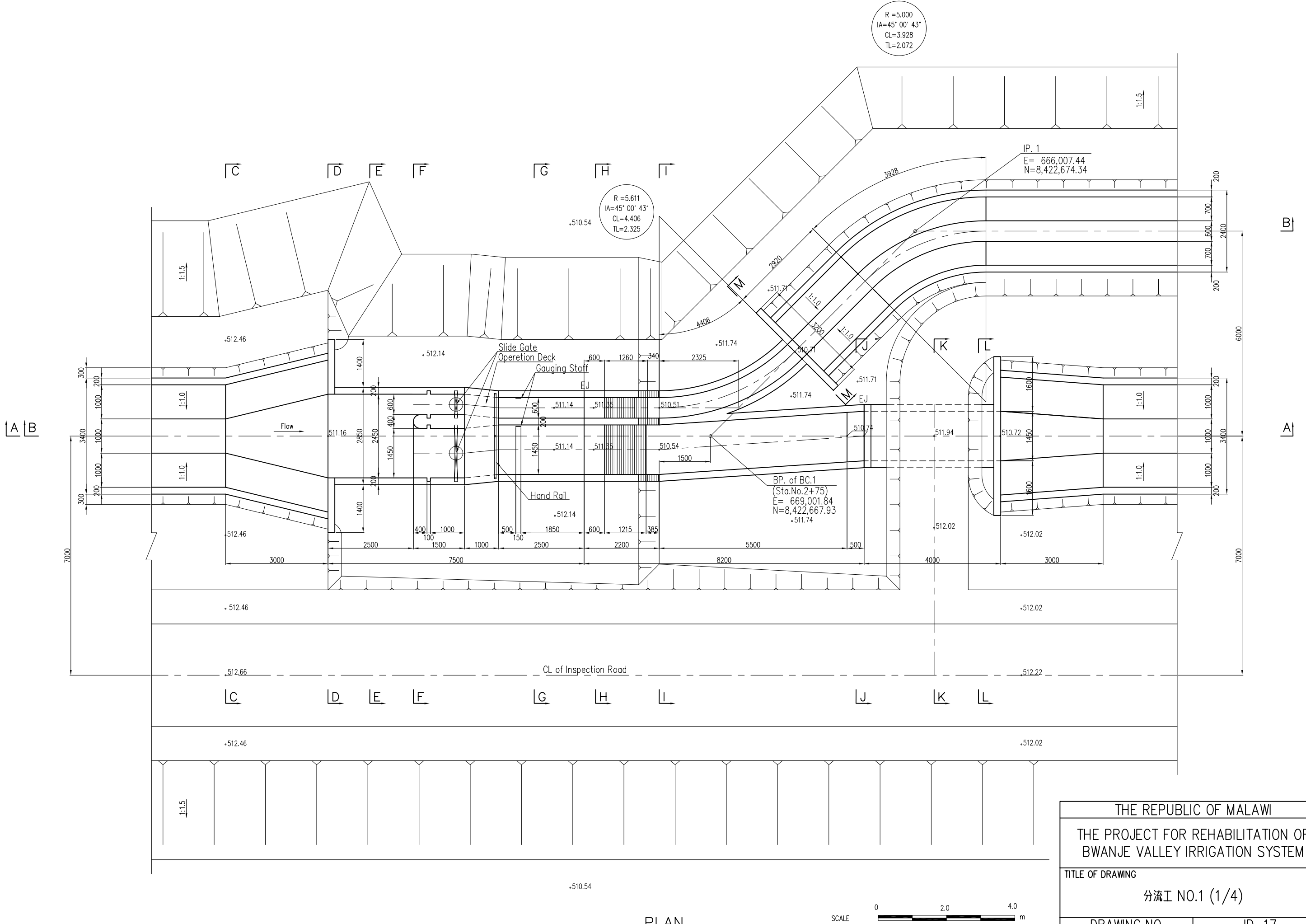
SECTION E-E



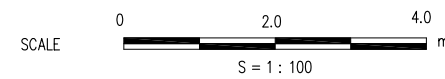
SECTION F-F



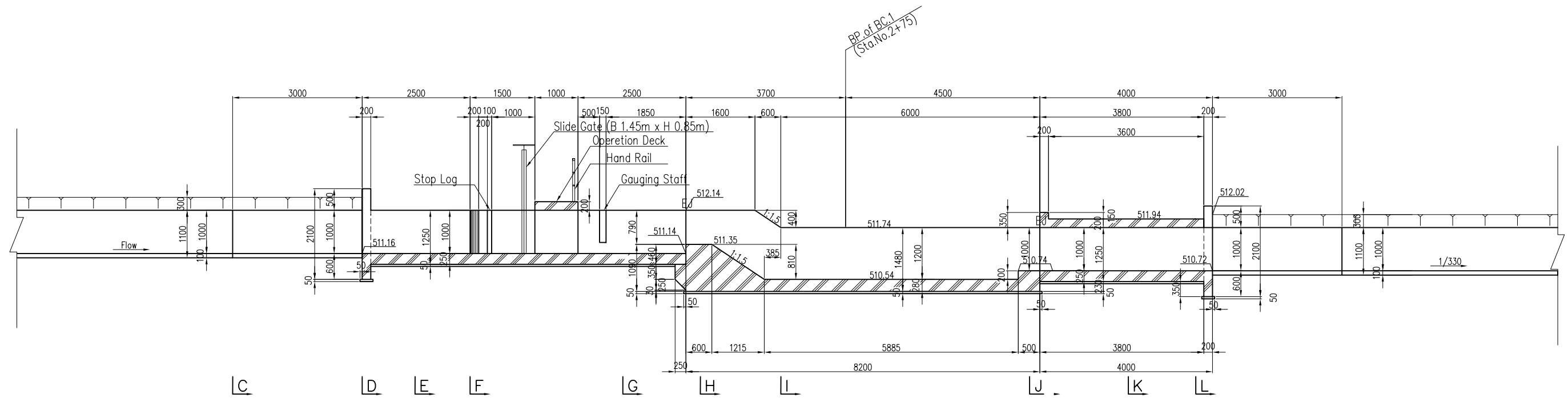
THE REPUBLIC OF MALAWI	
THE PROJECT FOR REHABILITATION OF BWANJE VALLEY IRRIGATION SYSTEM	
TITLE OF DRAWING 分水ゲート (2/2)	
DRAWING NO.	ID-16
NIPPON KOEI CO., LTD.	



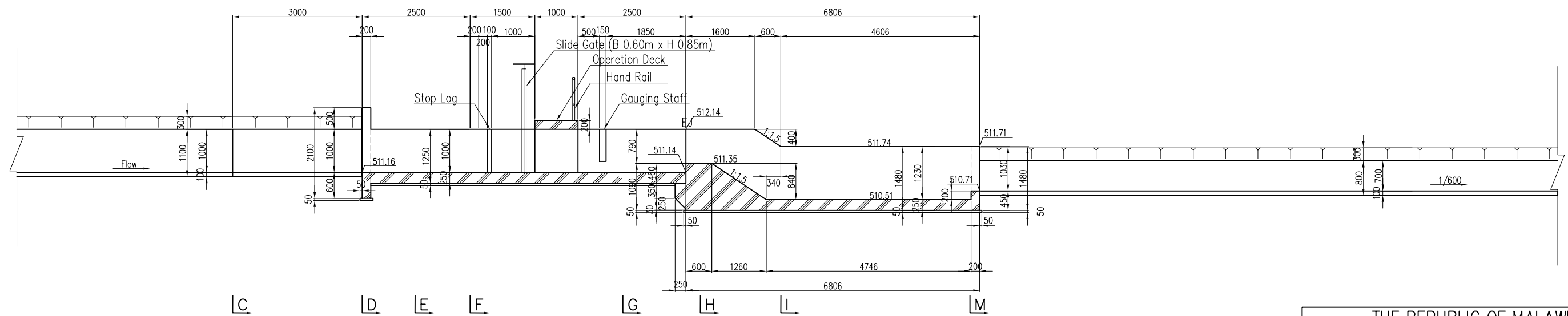
PLAN



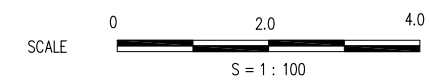
THE REPUBLIC OF MALAWI	
THE PROJECT FOR REHABILITATION OF BWANJE VALLEY IRRIGATION SYSTEM	
TITLE OF DRAWING 分流工 NO.1 (1/4)	
DRAWING NO.	ID-17
NIPPON KOEI CO., LTD.	



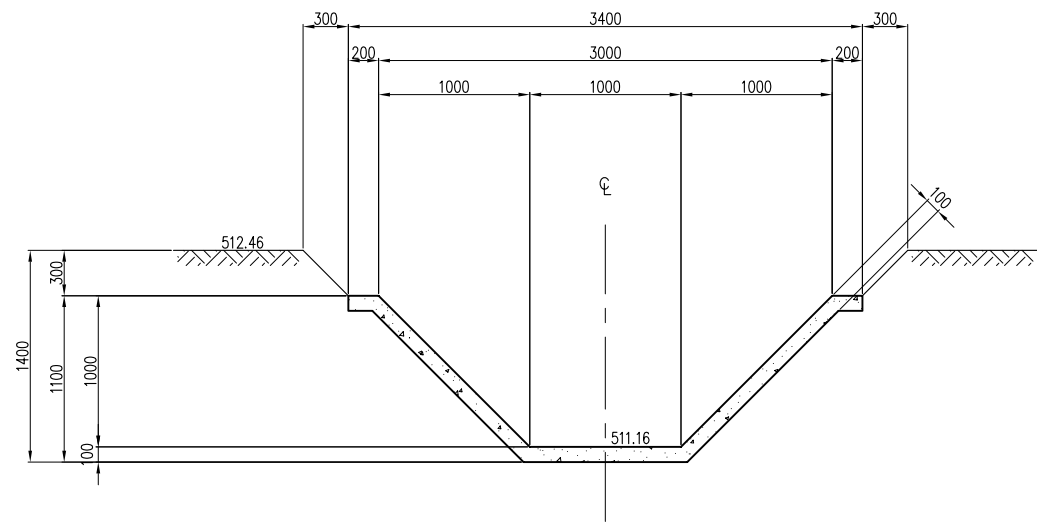
SECTION A-A



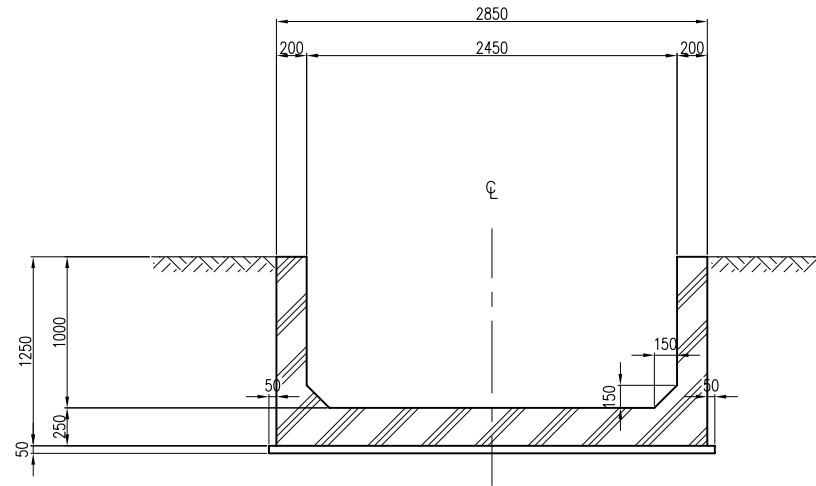
SECTION B-B



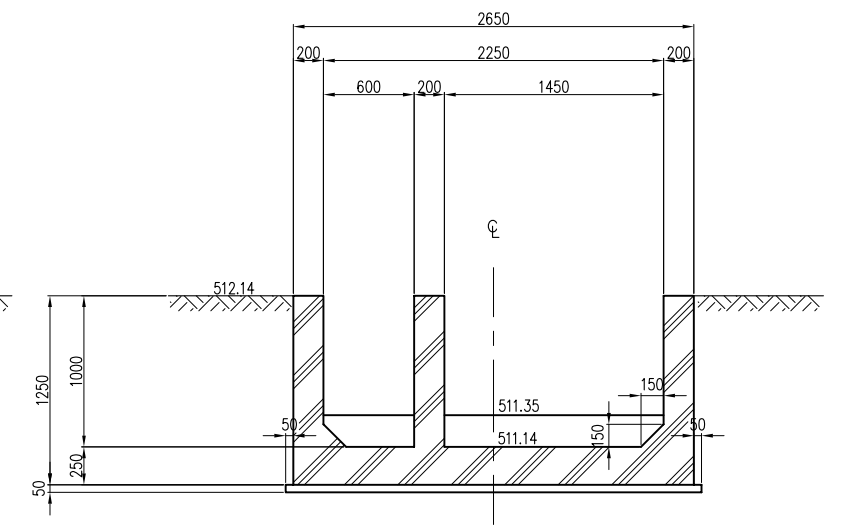
THE REPUBLIC OF MALAWI	
THE PROJECT FOR REHABILITATION OF BWANJE VALLEY IRRIGATION SYSTEM	
TITLE OF DRAWING 分流工 NO.1 (2/4)	
DRAWING NO.	ID-18
NIPPON KOEI CO., LTD.	



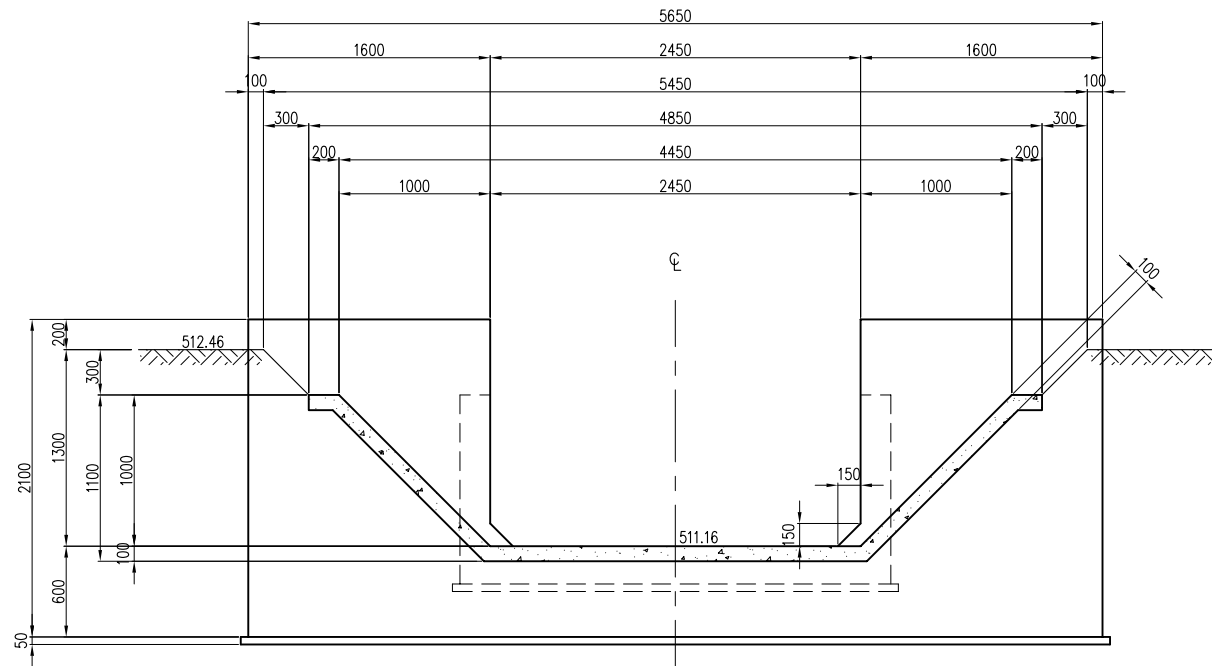
SECTION C-C



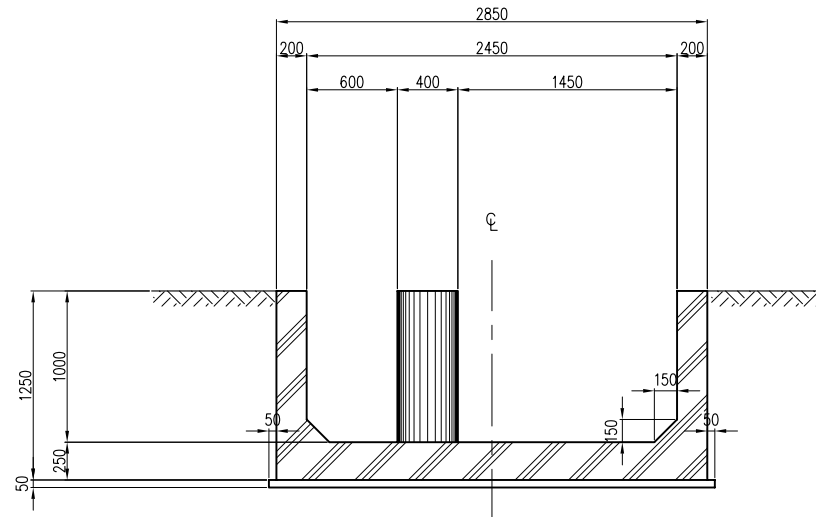
SECTION E-E



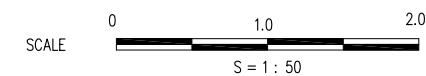
SECTION G-G



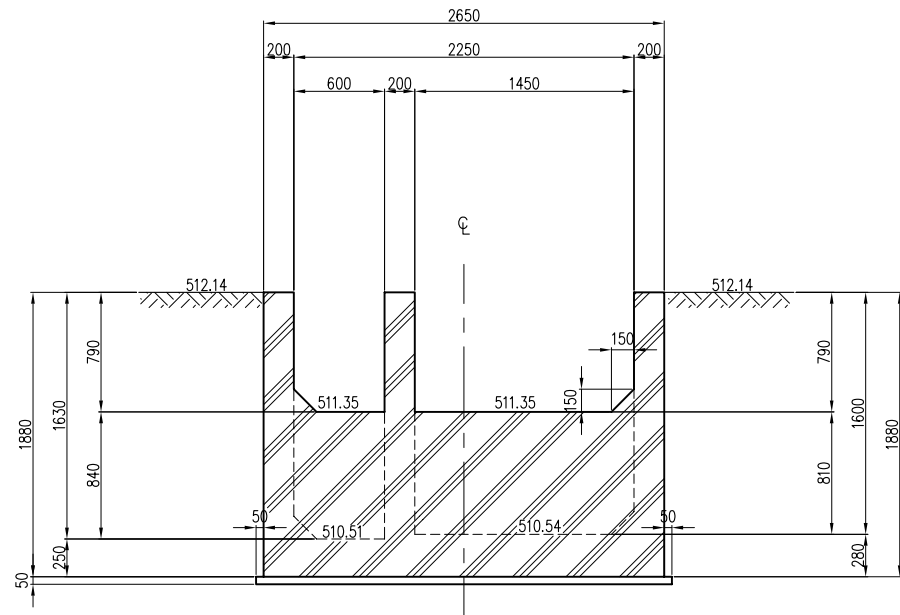
SECTION D-D



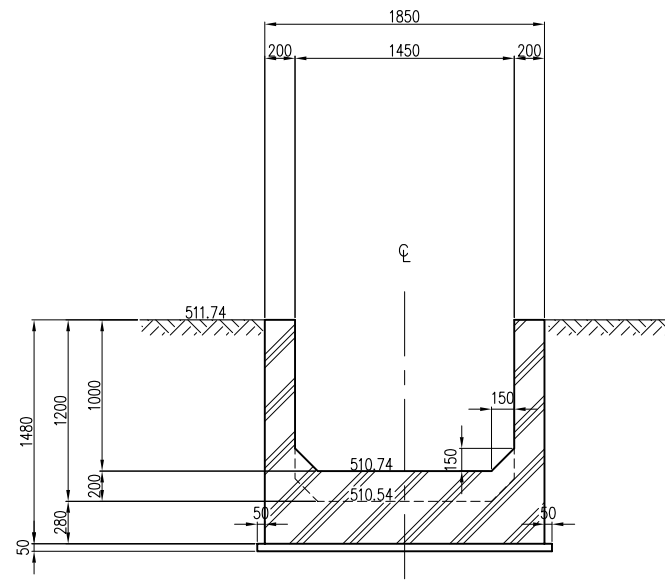
SECTION F-F



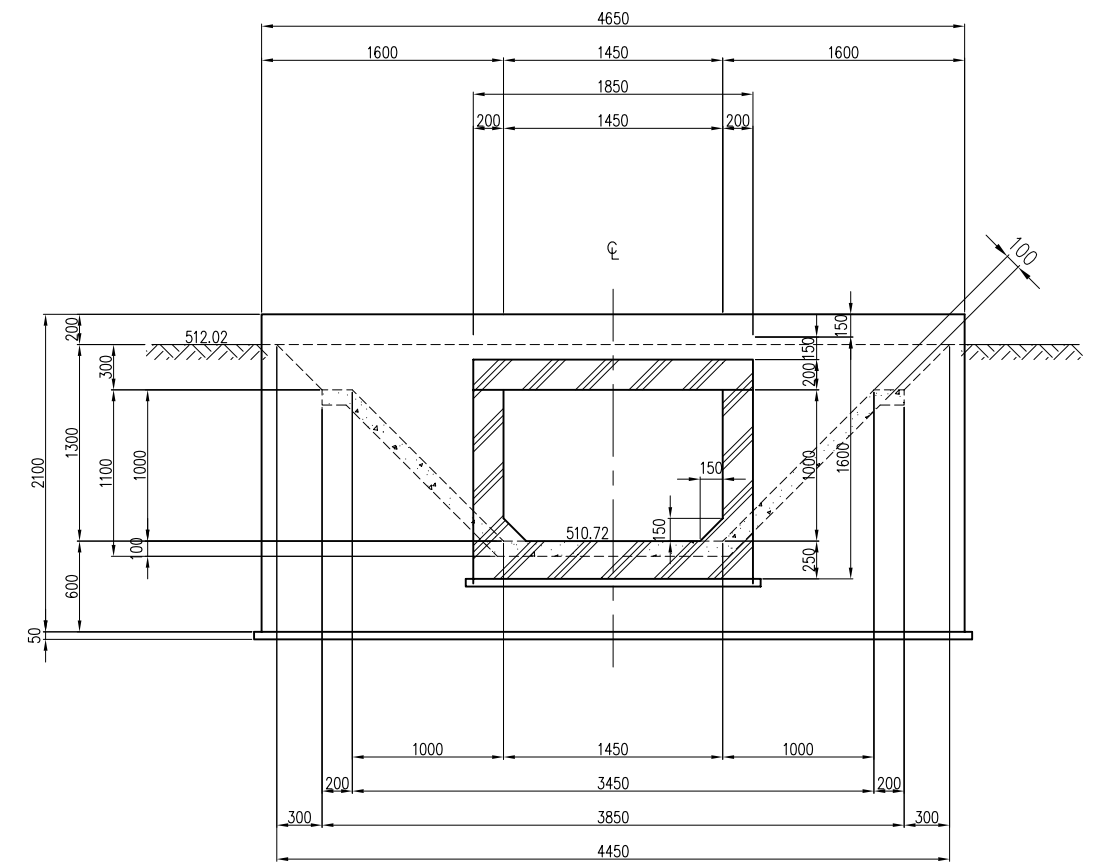
THE REPUBLIC OF MALAWI	
THE PROJECT FOR REHABILITATION OF BWANJE VALLEY IRRIGATION SYSTEM	
TITLE OF DRAWING 分流工 NO.1 (3/4)	
DRAWING NO.	ID-19
NIPPON KOEI CO., LTD.	



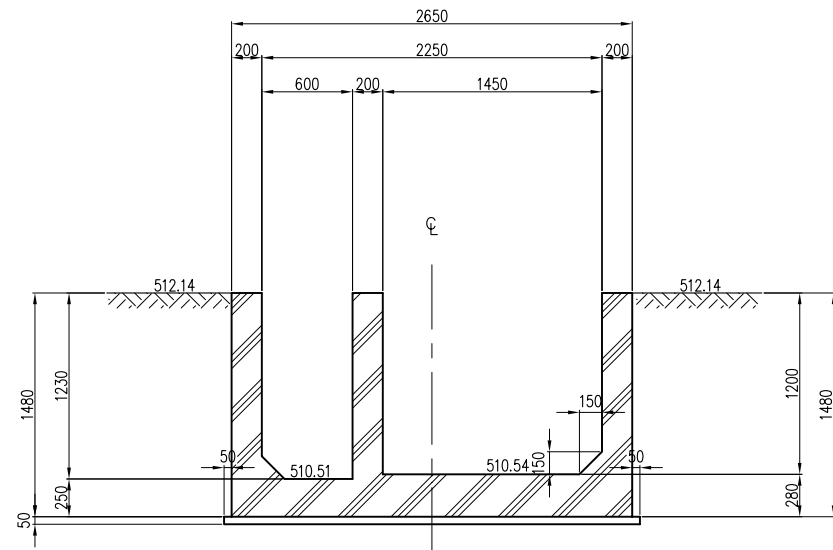
SECTION H-H



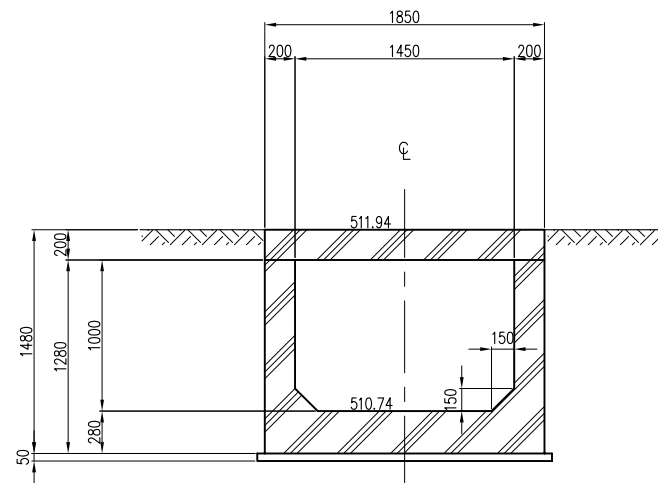
SECTION J-J



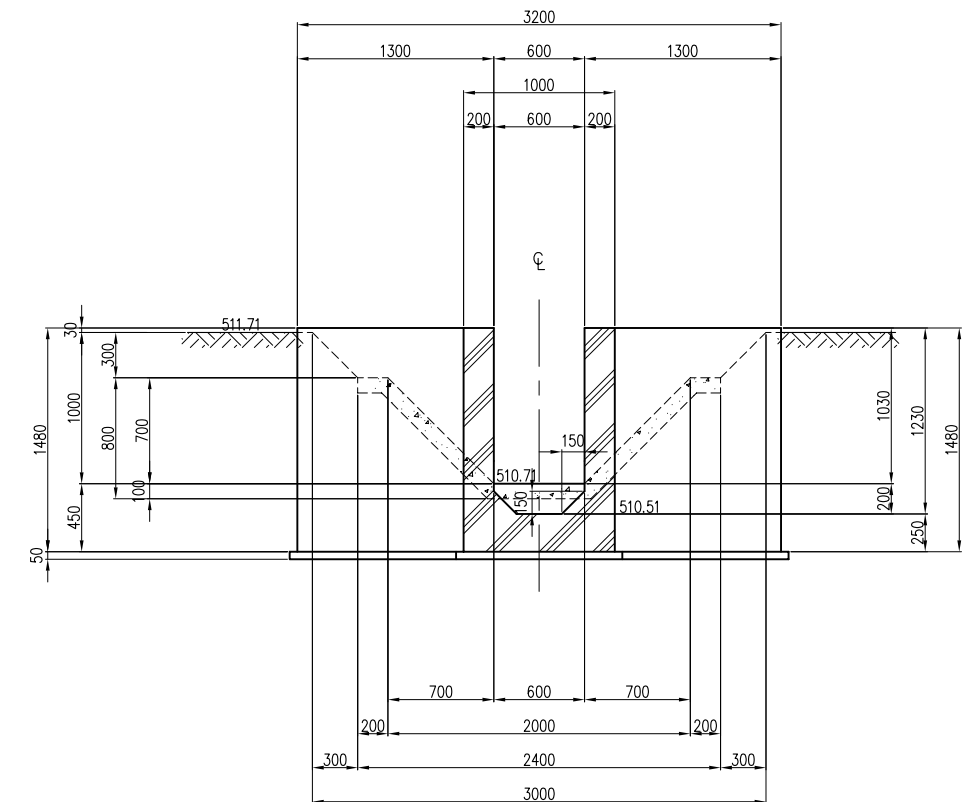
SECTION L-L



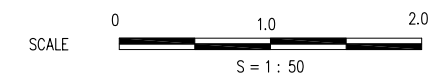
SECTION I-I



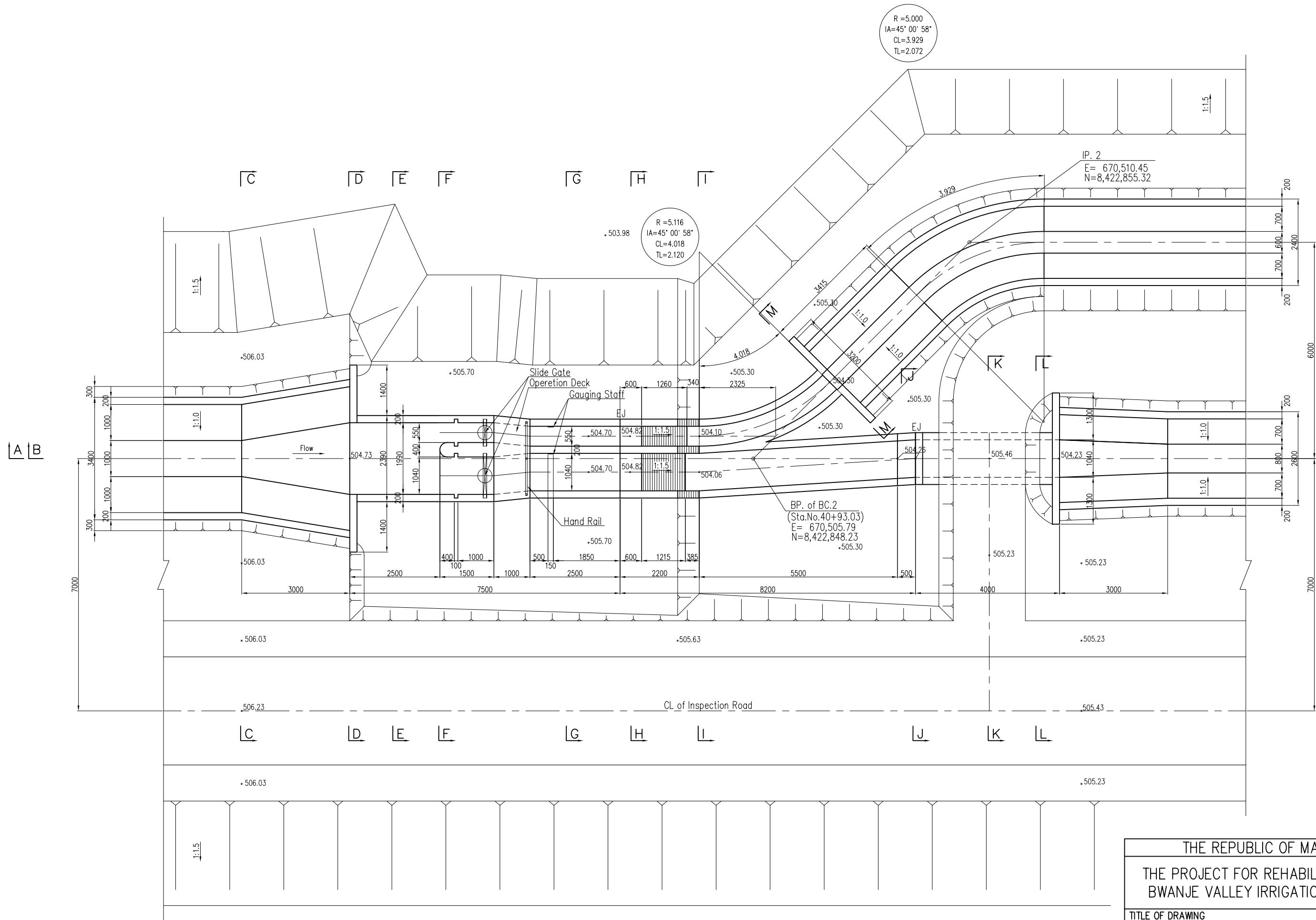
SECTION K-K



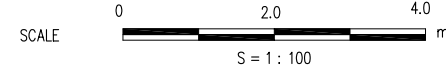
SECTION M-M



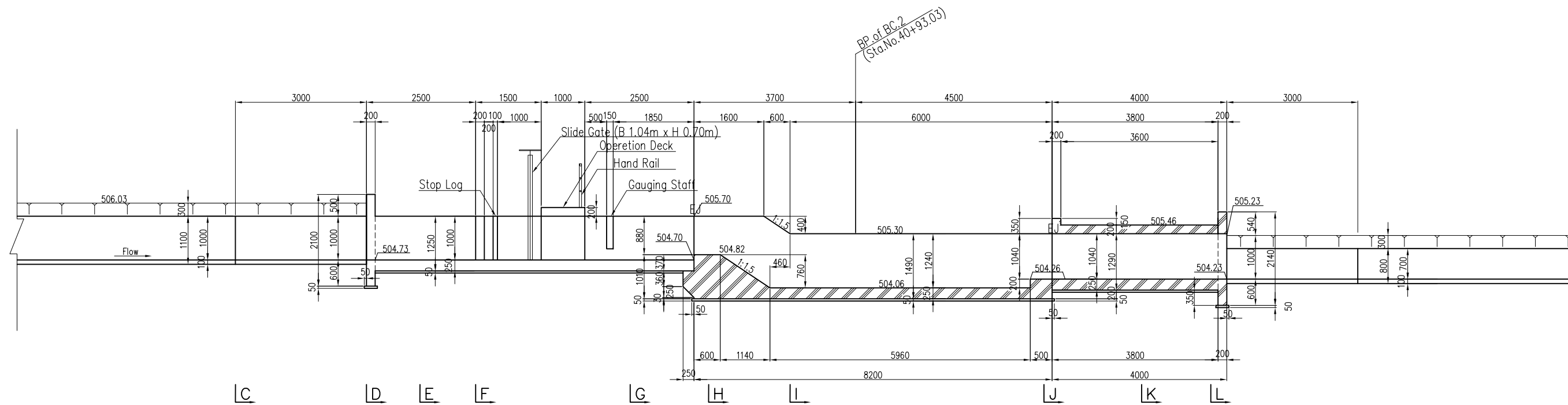
THE REPUBLIC OF MALAWI	
THE PROJECT FOR REHABILITATION OF BWANJE VALLEY IRRIGATION SYSTEM	
TITLE OF DRAWING 分流工 NO.1 (4/4)	
DRAWING NO.	ID-20
NIPPON KOEI CO., LTD.	



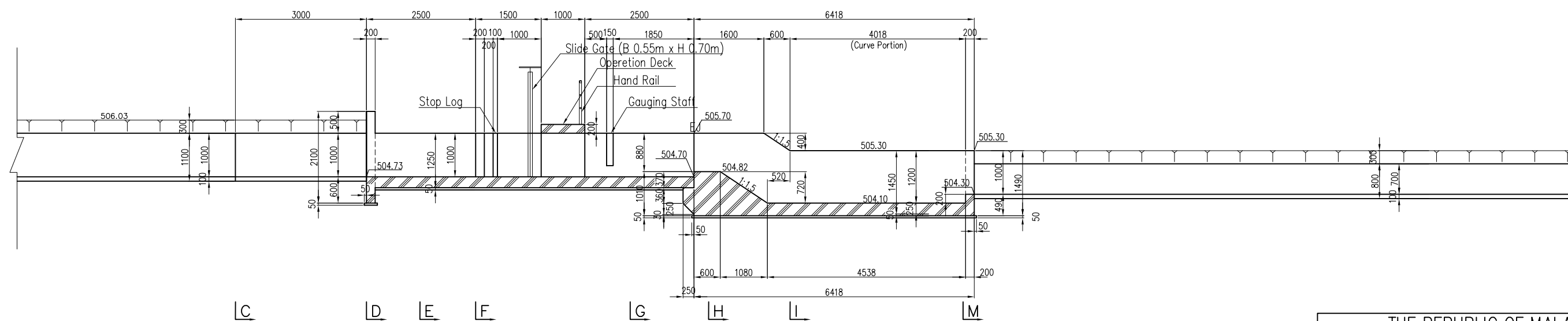
PLAN



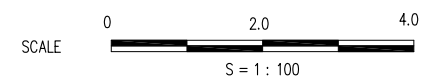
THE REPUBLIC OF MALAWI	
THE PROJECT FOR REHABILITATION OF BWANJE VALLEY IRRIGATION SYSTEM	
TITLE OF DRAWING 分流工 NO.2 (1/4)	
DRAWING NO.	ID-21
NIPPON KOEI CO., LTD.	



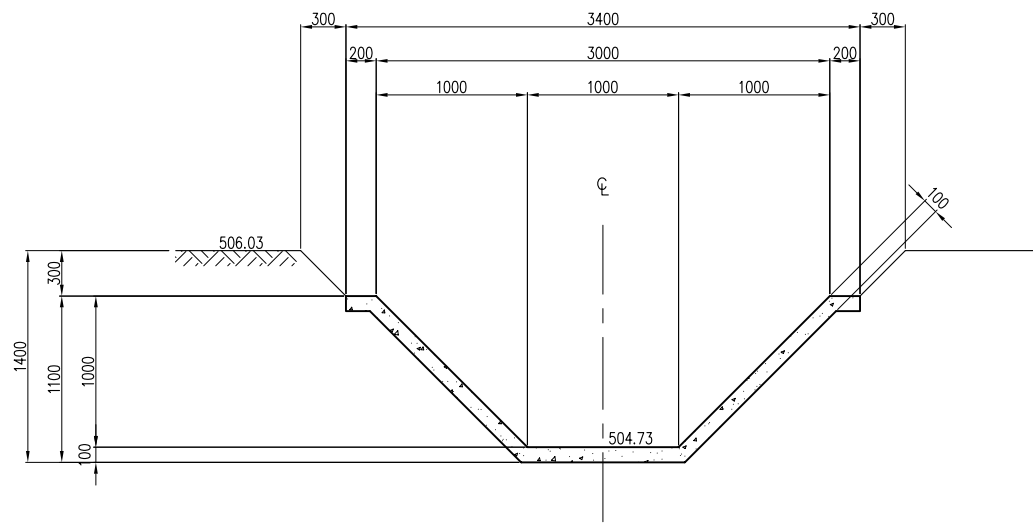
SECTION A-A



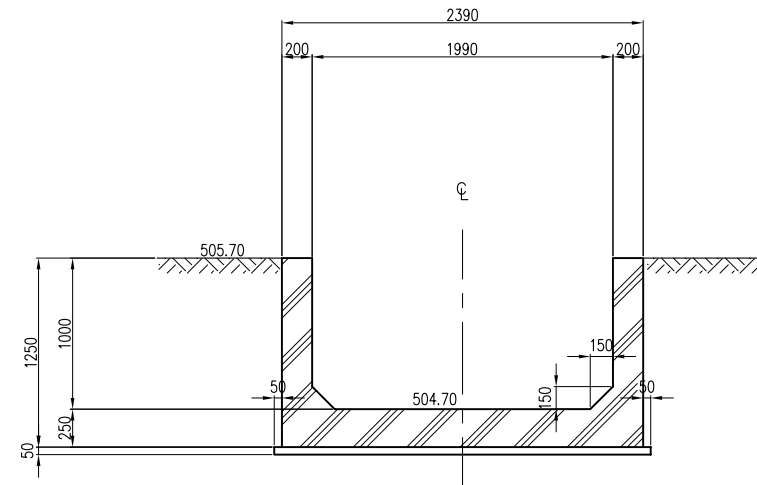
SECTION B-B



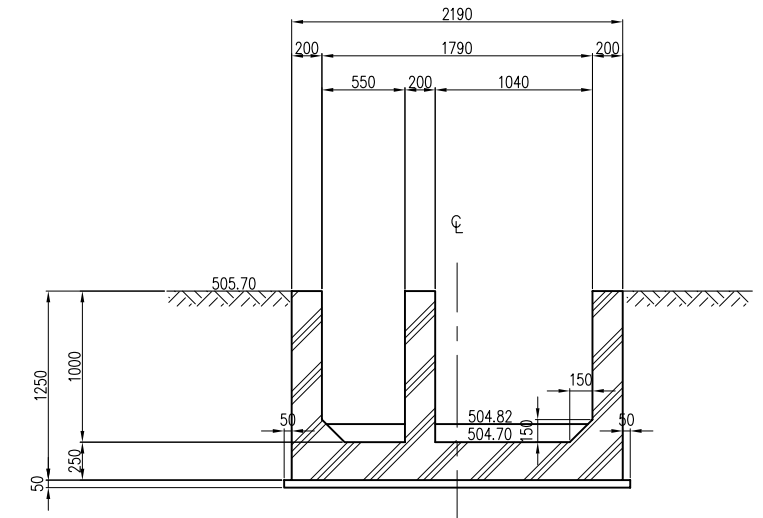
THE REPUBLIC OF MALAWI	
THE PROJECT FOR REHABILITATION OF BWANJE VALLEY IRRIGATION SYSTEM	
TITLE OF DRAWING 分流工 NO.2 (2/4)	
DRAWING NO.	ID-22
NIPPON KOEI CO., LTD.	



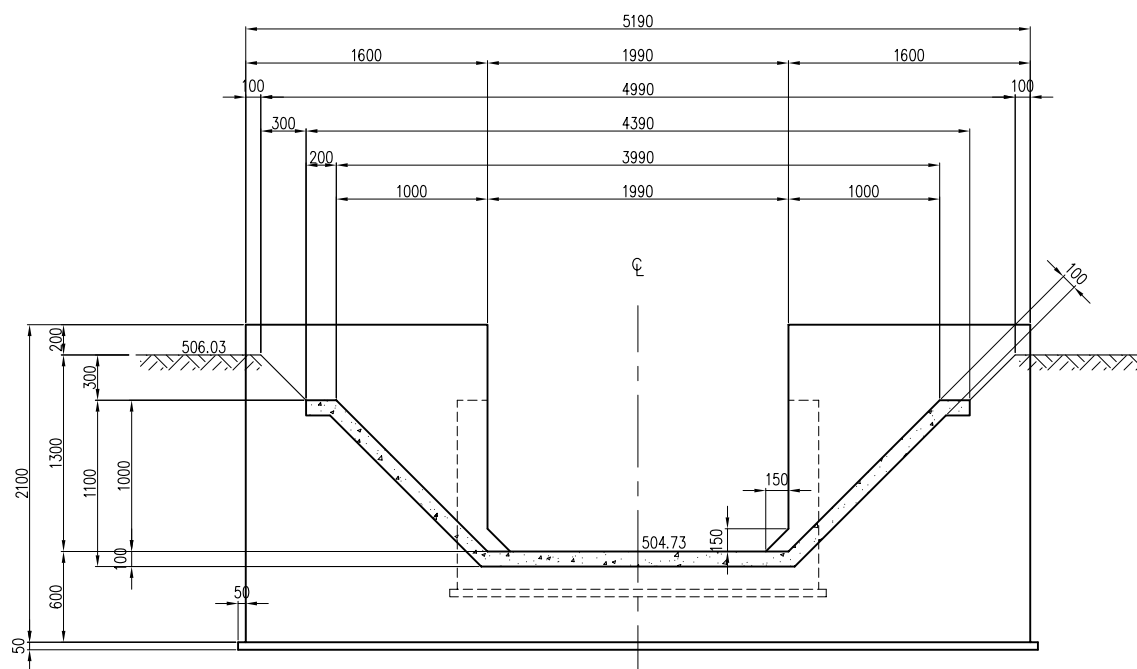
SECTION C-C



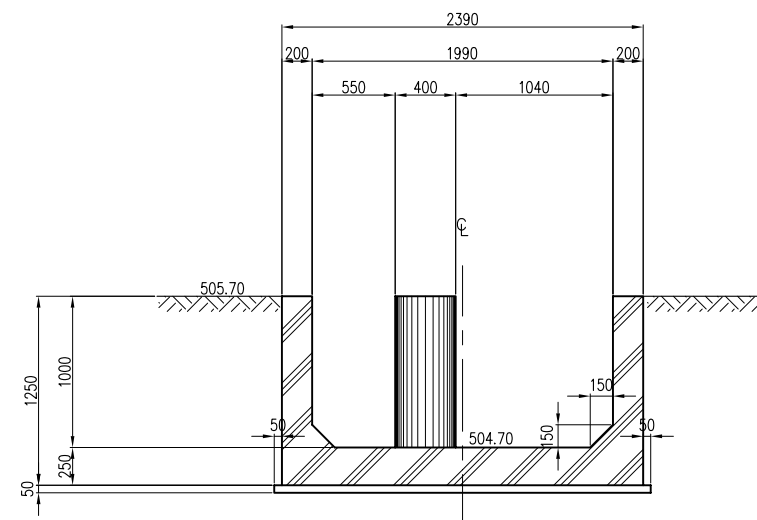
SECTION E-E



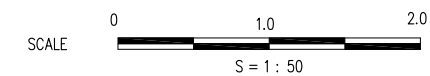
SECTION G-G



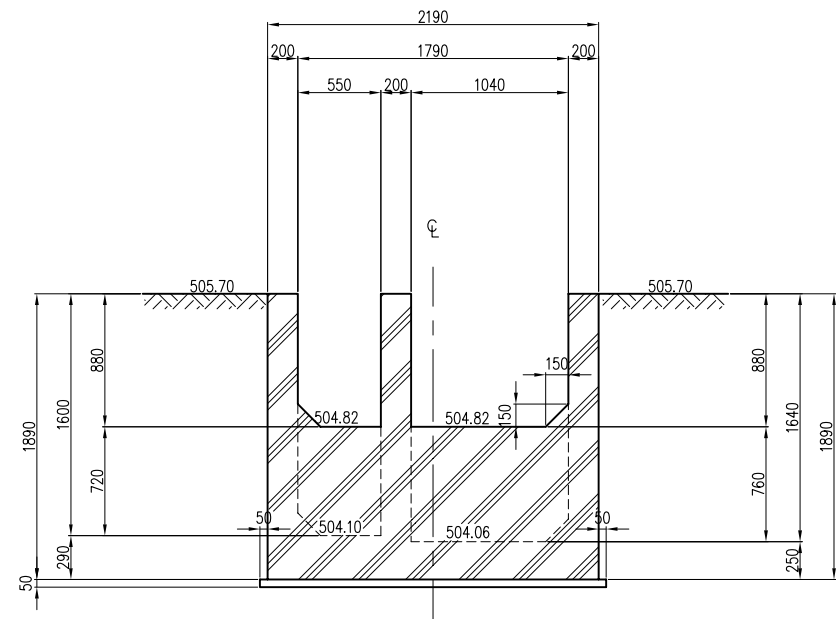
SECTION D-D



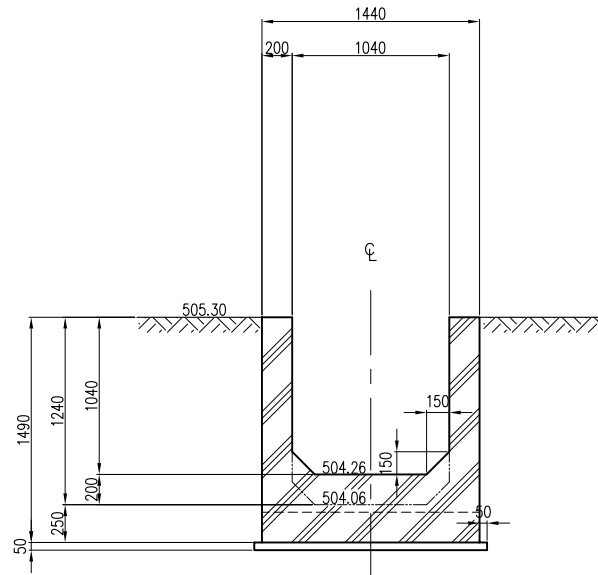
SECTION F-F



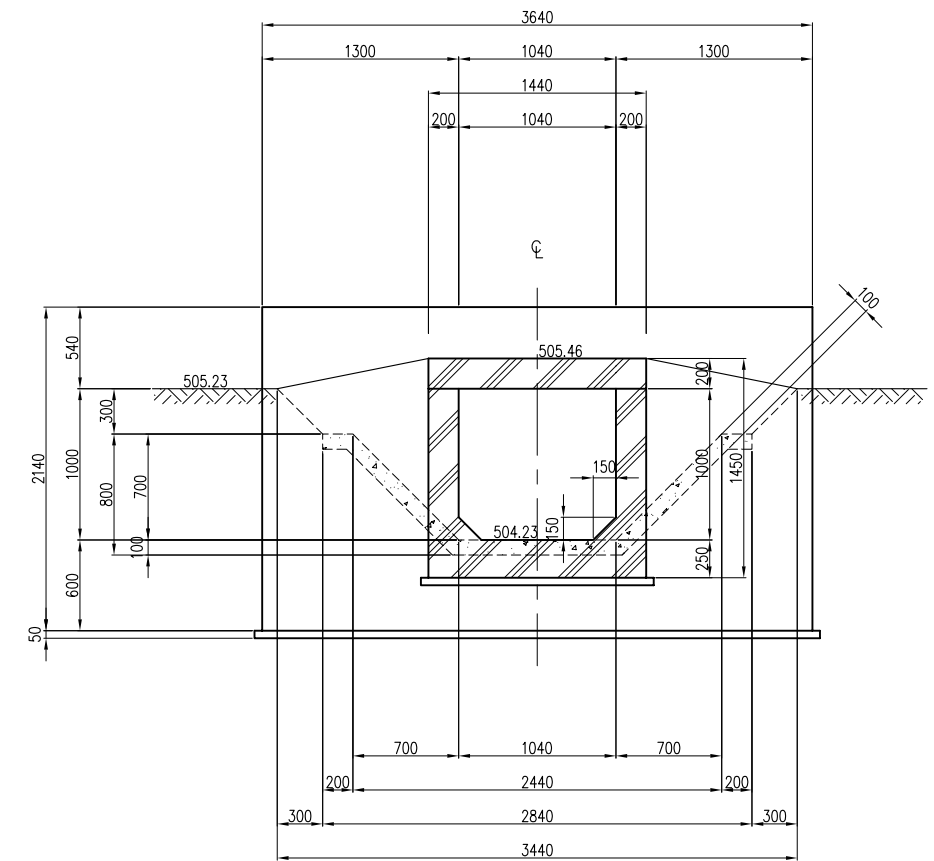
THE REPUBLIC OF MALAWI	
THE PROJECT FOR REHABILITATION OF BWANJE VALLEY IRRIGATION SYSTEM	
TITLE OF DRAWING	
分流工 NO.2 (3/4)	
DRAWING NO.	ID-23
NIPPON KOEI CO., LTD.	



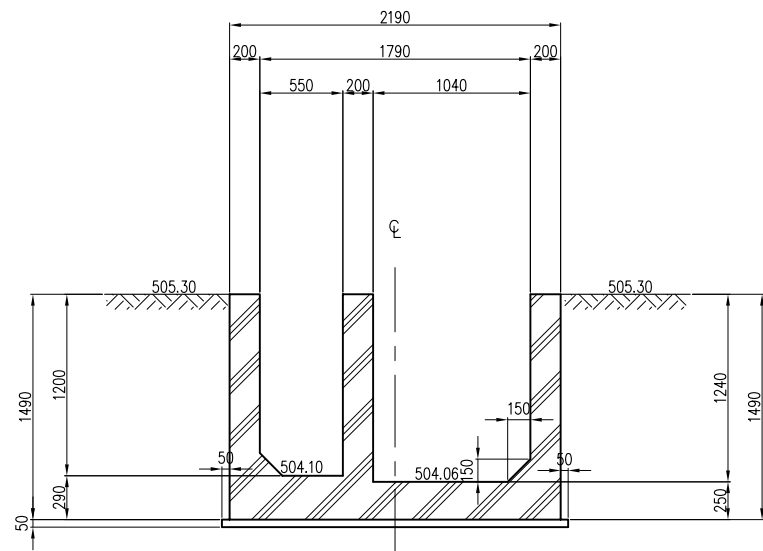
SECTION H-H



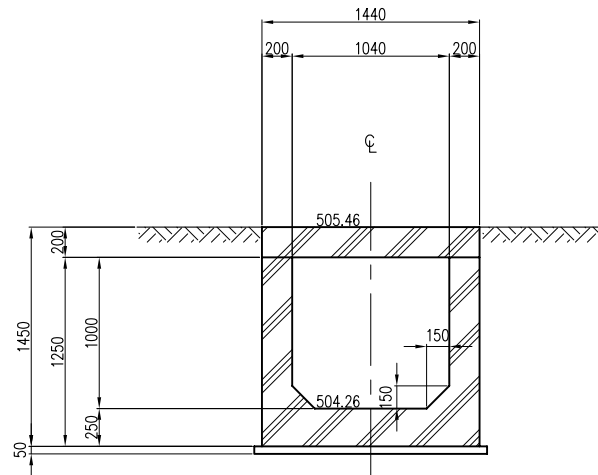
SECTION J-J



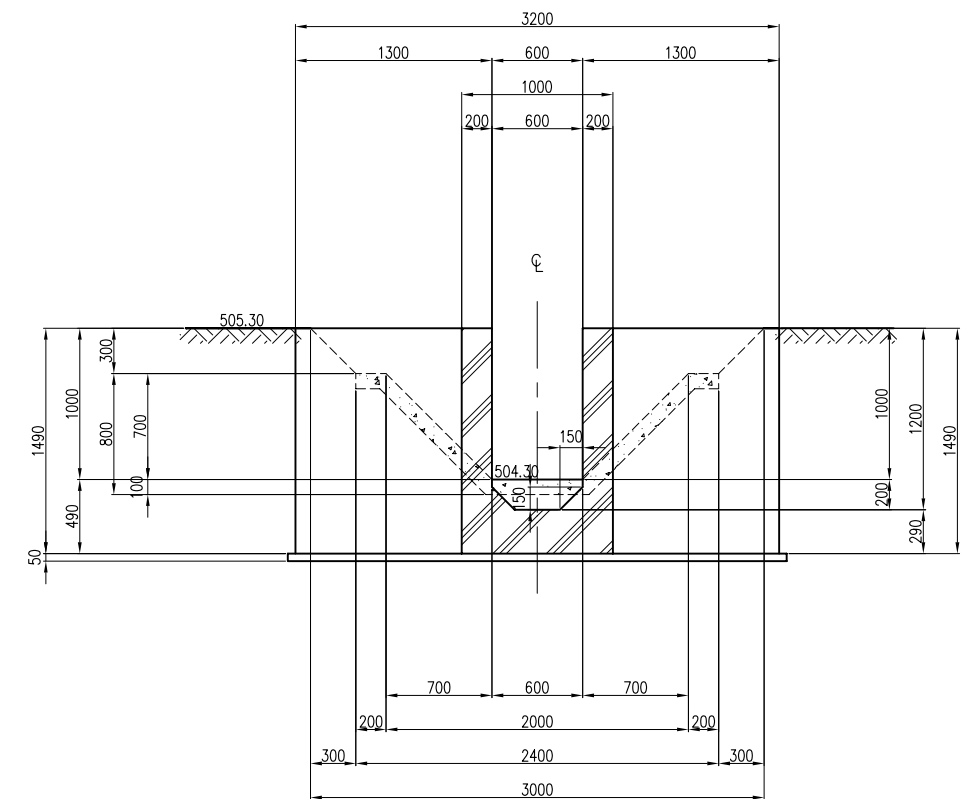
SECTION L-L



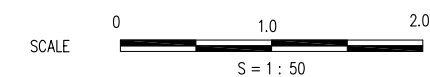
SECTION I-I



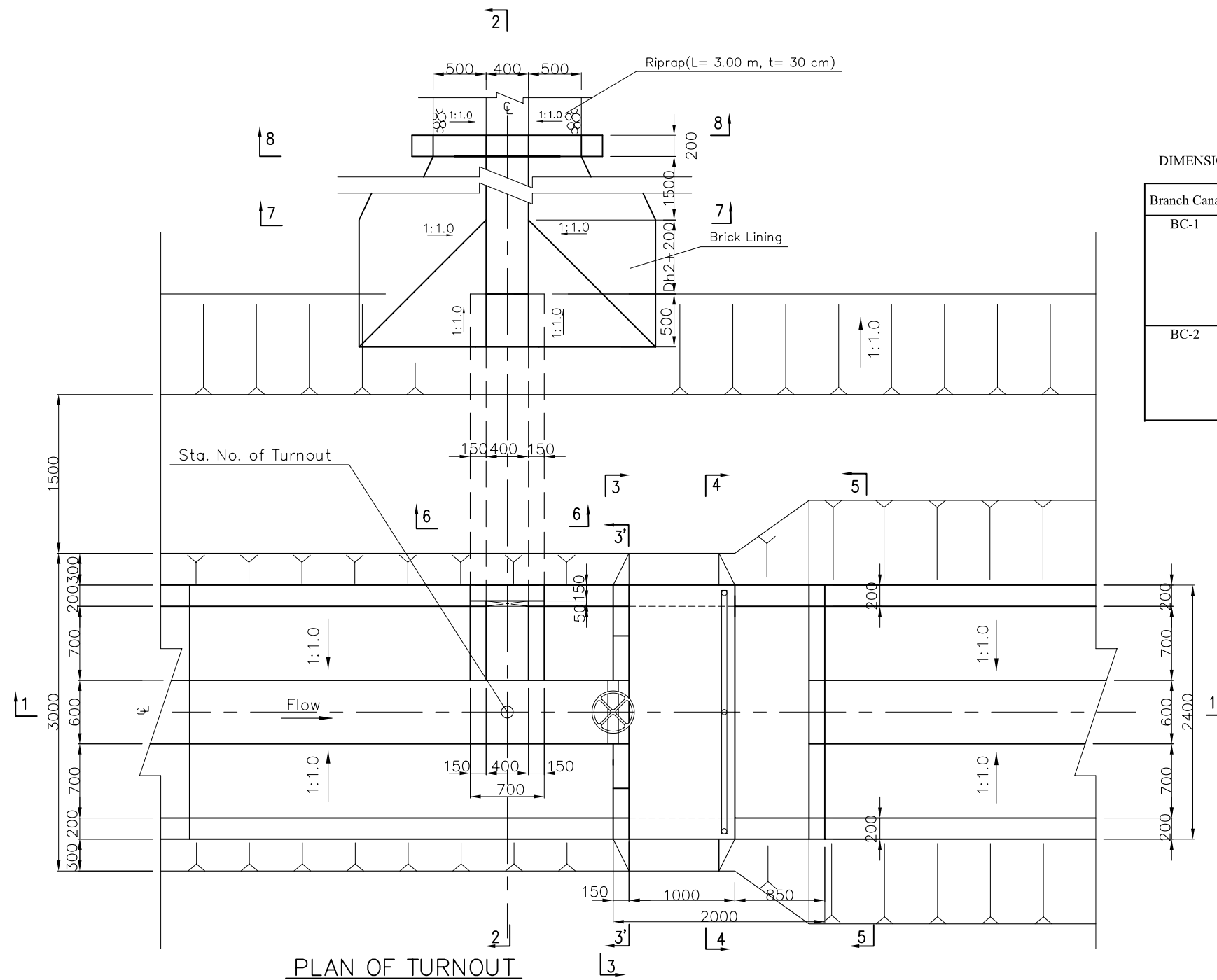
SECTION K-K



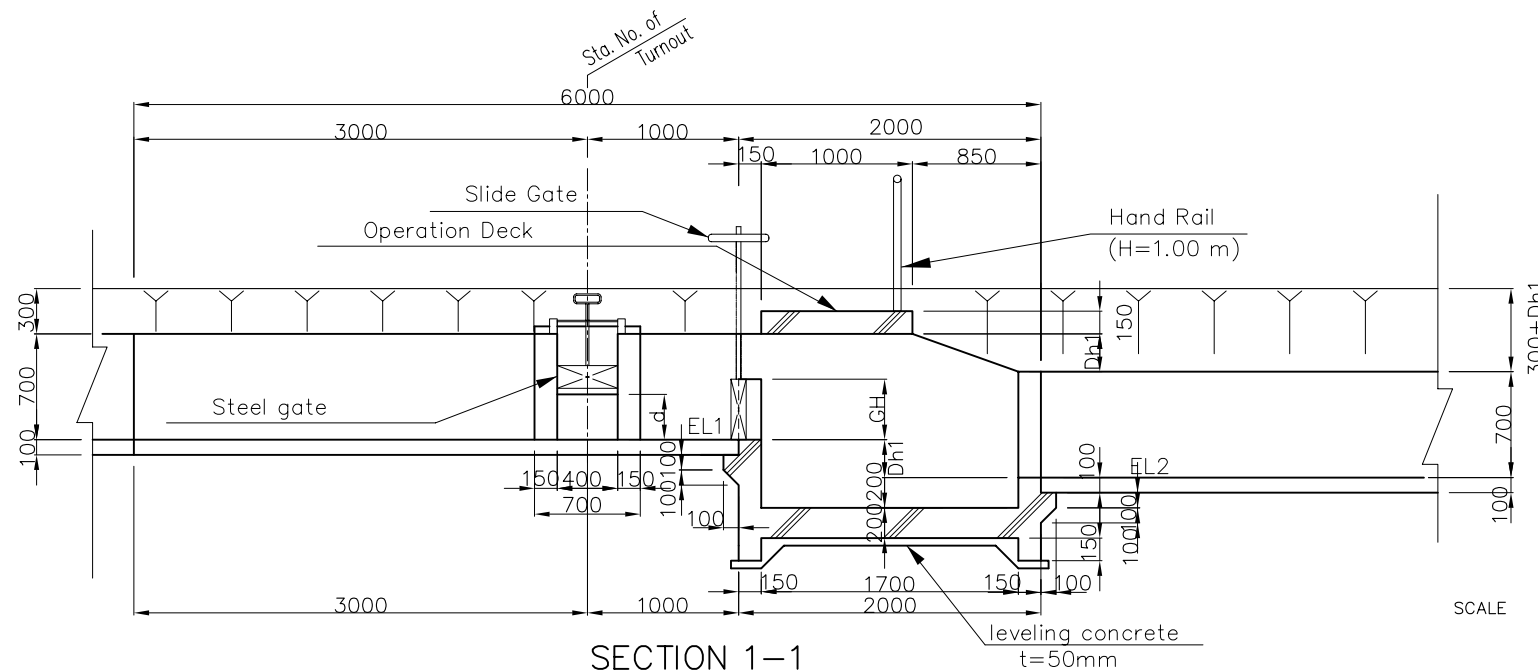
SECTION M-M



THE REPUBLIC OF MALAWI	
THE PROJECT FOR REHABILITATION OF BWANJE VALLEY IRRIGATION SYSTEM	
TITLE OF DRAWING 分流工 NO.2 (4/4)	
DRAWING NO.	ID-24
NIPPON KOEI CO., LTD.	



PLAN OF TURNOUT

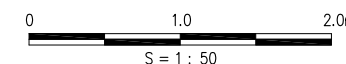


SECTION 1-1

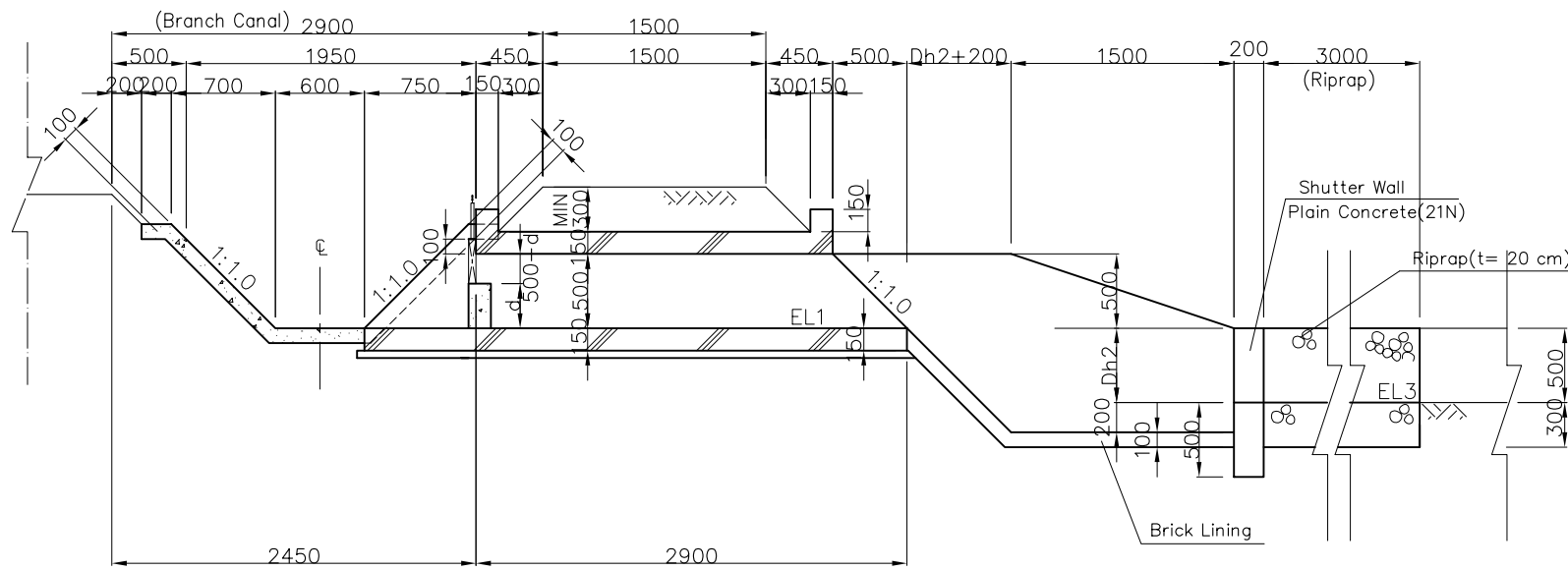
DIMENSION TABLE FOR TURNOUT

Branch Canal	TO.No.	Sta. No.	EL1 (m)	EL2 (m)	EL3 (m)	Dh1 (mm)	Dh2 (mm)	GH (mm)	d (mm)
BC-1	TO-7(L)	0+14.30	510.69	510.19	510.19	500	500	430	300
	TO-10(L)	2+18.44	509.85	509.45	509.36	400	490	430	300
	TO-11(L)	3+68.51	509.10	508.60	508.68	500	420	430	300
	TO-12(L)	5+18.75	508.35	508.15	507.85	200	500	430	300
	TO-13(L)	6+19.96	507.98	507.78	507.53	200	450	430	300
	TO-14(L)	7+60.48	507.54	507.04	507.09	500	450	430	300
BC-2	TO-15(L,R)	9+57.09	506.70	506.21	506.14	490	560	430	300
	TO-6(L)	0+18.33	504.27	503.67	503.86	600	410	430	250
	TO-9(L)	2+64.57	503.26	503.16	502.81	100	450	430	250
	TO-10(L)	4+01.47	502.93	502.53	502.47	400	460	430	250
	TO-11(L)	5+38.30	502.30	502.10	501.80	200	500	430	250
	TO-12(L)	6+75.29	501.88	501.68	501.41	200	470	430	250
	TO-13(L)	8+13.08	501.45	500.90	500.97	550	480	430	250

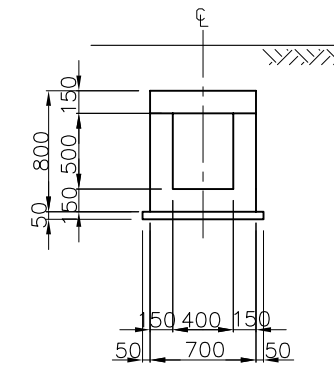
SCALE



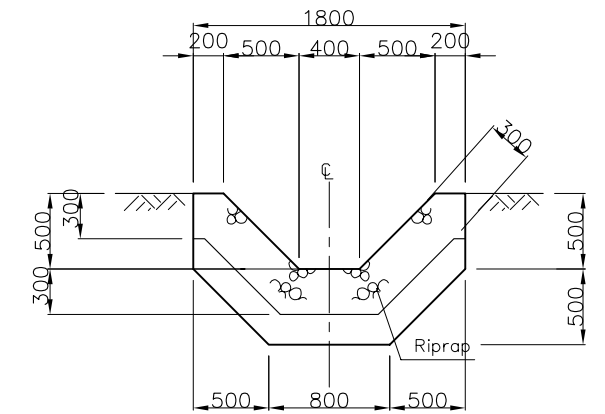
THE REPUBLIC OF MALAWI	
THE PROJECT FOR REHABILITATION OF BWANJE VALLEY IRRIGATION SYSTEM	
TITLE OF DRAWING 分水工 (1/2)	
DRAWING NO.	ID-25
NIPPON KOEI CO., LTD.	



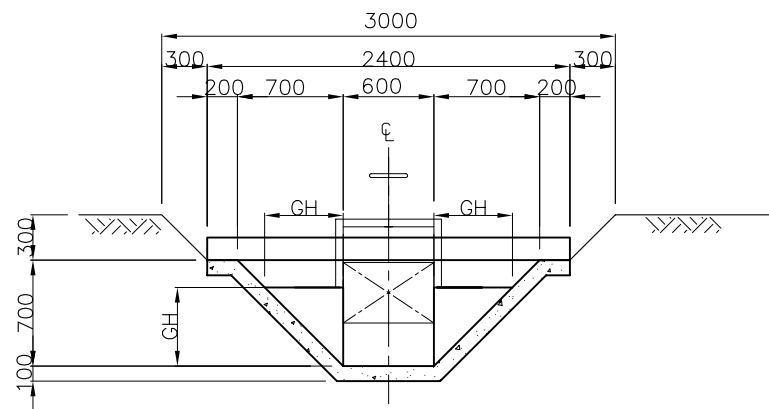
SECTION 2-2



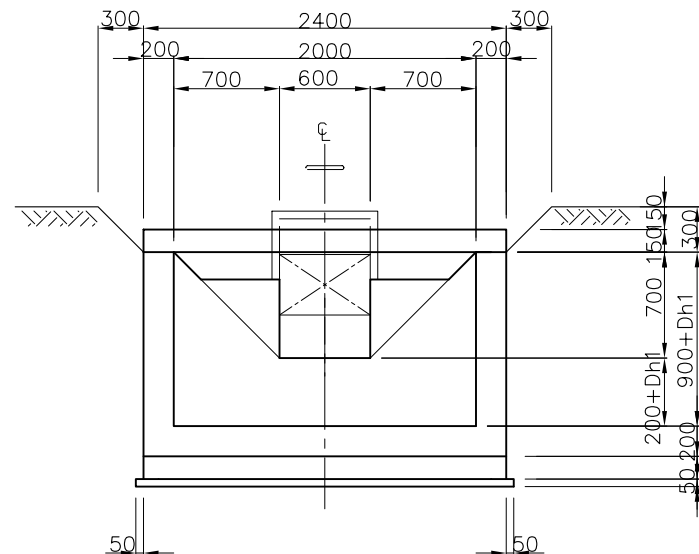
SECTION 6-6



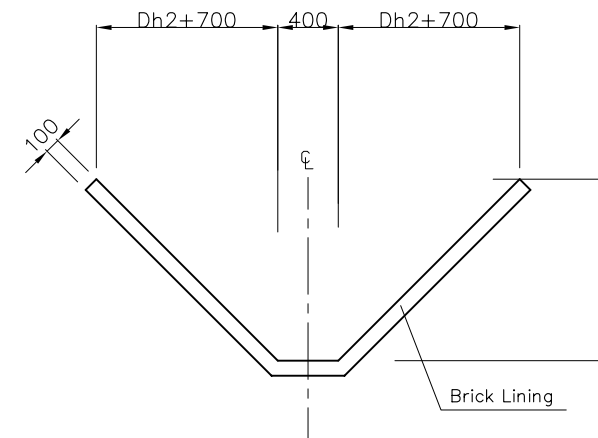
SECTION 8-8



SECTION 3-3



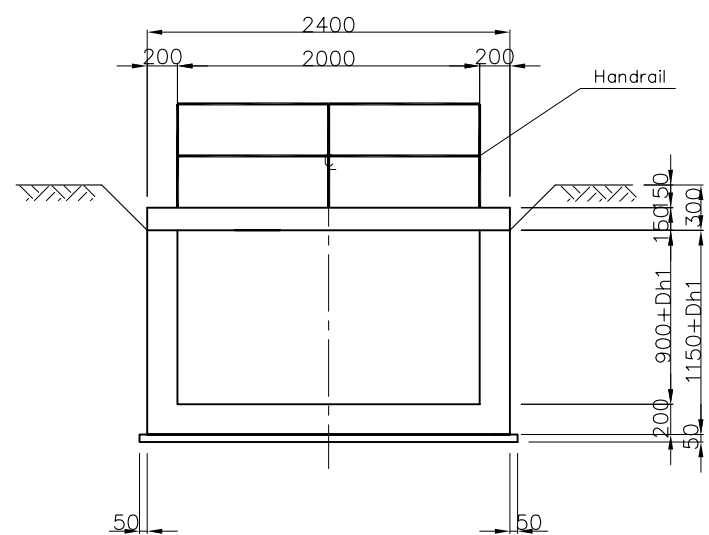
SECTION 3'-3'



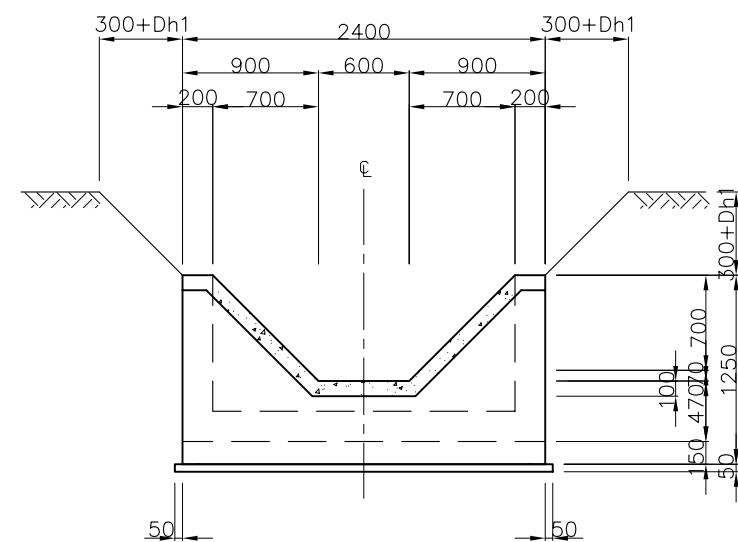
SECTION 7-7

DIMENSION TABLE FOR TURNOUT

Branch Canal	TO.No.	Sta. No.	EL1 (m)	EL2 (m)	EL3 (m)	Dh1 (mm)	Dh2 (mm)	GH (mm)	d (mm)
BC-1	TO-7(L)	0+14.30	510.69	510.19	510.19	500	500	430	300
	TO-10(L)	2+18.44	509.85	509.45	509.36	400	490	430	300
	TO-11(L)	3+68.51	509.10	508.60	508.68	500	420	430	300
	TO-12(L)	5+18.75	508.35	508.15	507.85	200	500	430	300
	TO-13(L)	6+19.96	507.98	507.78	507.53	200	450	430	300
	TO-14(L)	7+60.48	507.54	507.04	507.09	500	450	430	300
BC-2	TO-15(L,R)	9+57.09	506.70	506.21	506.14	490	560	430	300
	TO-6(L)	0+18.33	504.27	503.67	503.86	600	410	430	250
	TO-9(L)	2+64.57	503.26	503.16	502.81	100	450	430	250
	TO-10(L)	4+01.47	502.93	502.53	502.47	400	460	430	250
	TO-11(L)	5+38.30	502.30	502.10	501.80	200	500	430	250
	TO-12(L)	6+75.29	501.88	501.68	501.41	200	470	430	250
	TO-13(L)	8+13.08	501.45	500.90	500.97	550	480	430	250



SECTION 4-4



SECTION 5-5

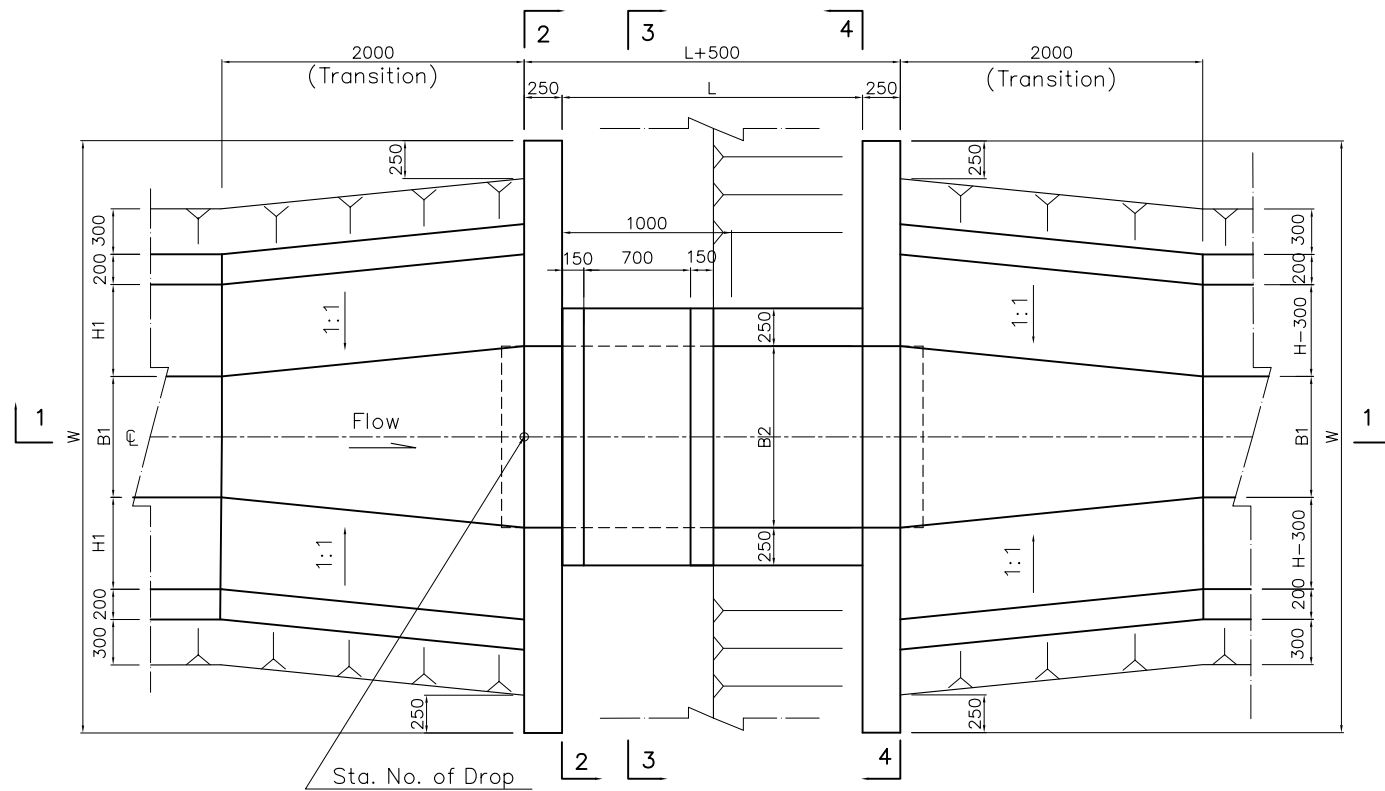


THE REPUBLIC OF MALAWI
 THE PROJECT FOR REHABILITATION OF
 BWANJE VALLEY IRRIGATION SYSTEM

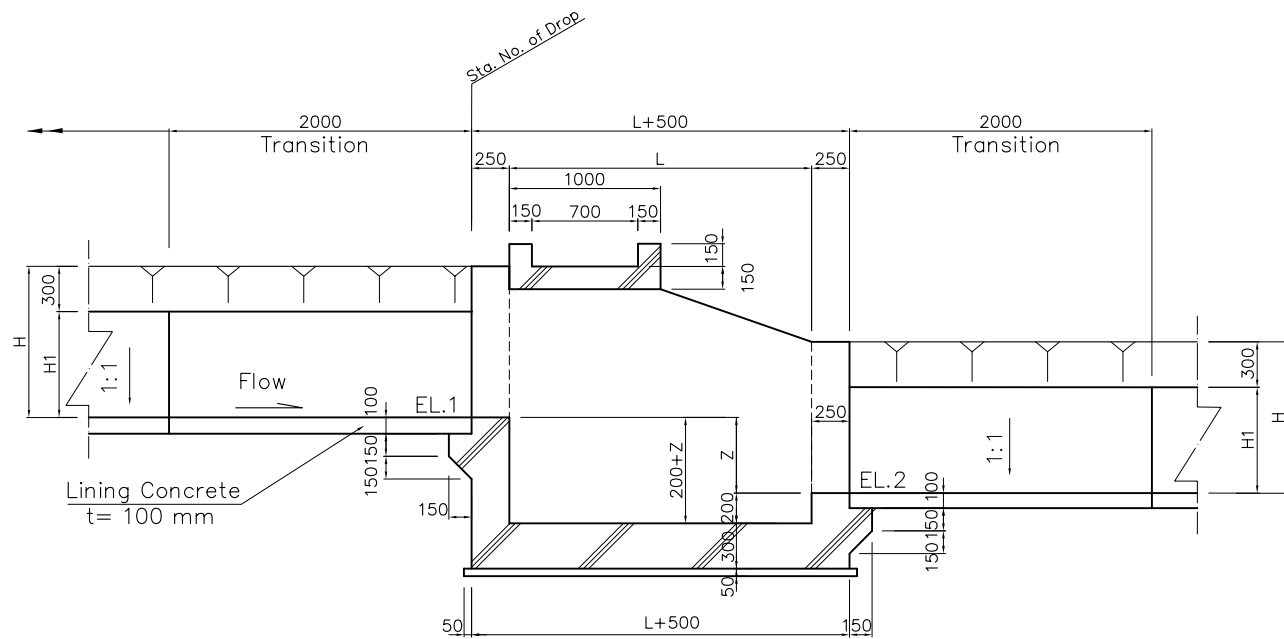
TITLE OF DRAWING
 分水工 (2/2)

DRAWING NO. ID-26
 NIPPON KOEI CO., LTD.

DROP



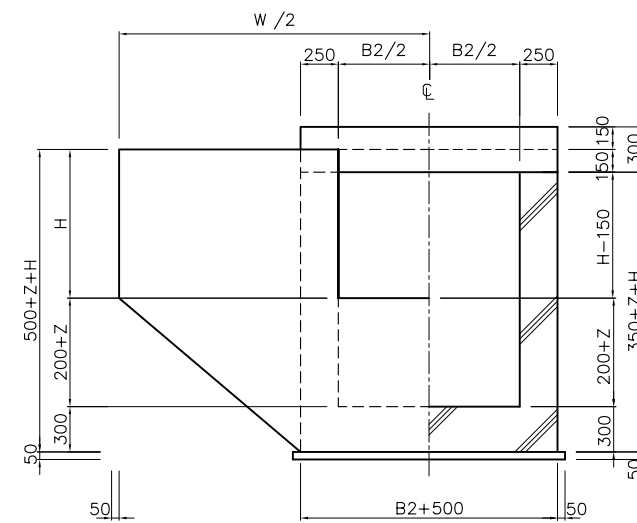
PLAN OF DROP



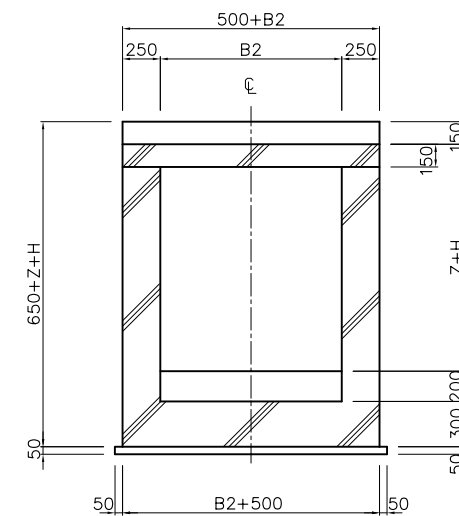
SECTION 1-1

DIMENSION TABLE FOR DROP

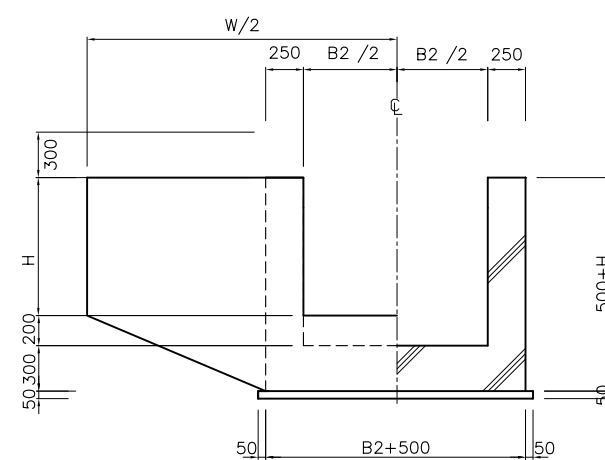
Canal	Drop No.	Sta. No.	EL1 (m)	EL2 (m)	H (mm)	H1 (mm)	B1 (mm)	B2 (mm)	Z (mm)	L (mm)	W (mm)
MC	No.1	22+00.00	513.23	512.53	1300	1000	1000	1400	700	3000	4900
	No.2	23+50.00	512.23	511.63	1300	1000	1000	1400	600	3000	4900
	No.3	26+00.00	510.66	509.96	1300	1000	1000	1400	700	3000	4900
	No.4	30+00.00	508.75	508.05	1300	1000	1000	1400	700	3000	4900
	No.5	57+45.00	497.86	497.46	1000	700	800	1100	400	2000	4000



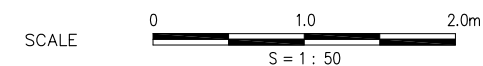
SECTION 2-2



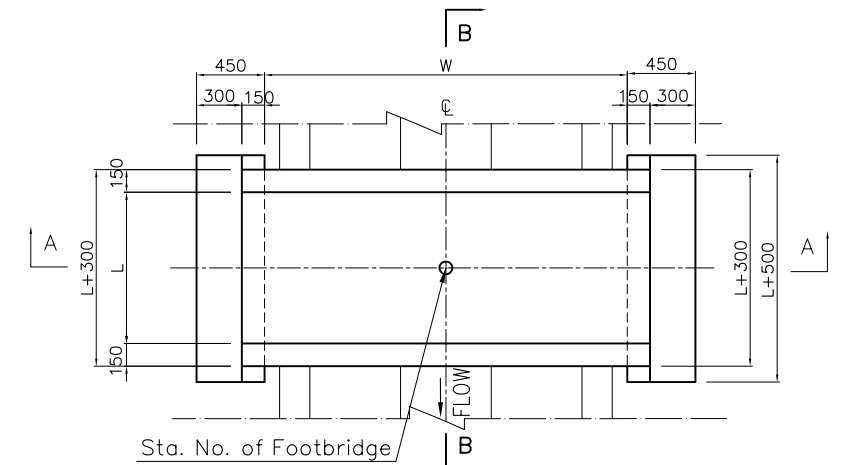
SECTION 3-3



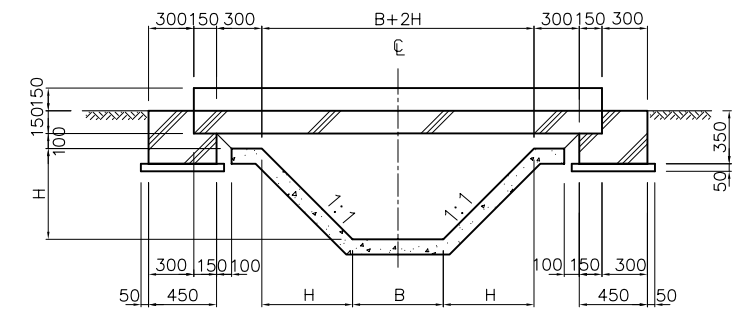
SECTION 4-4



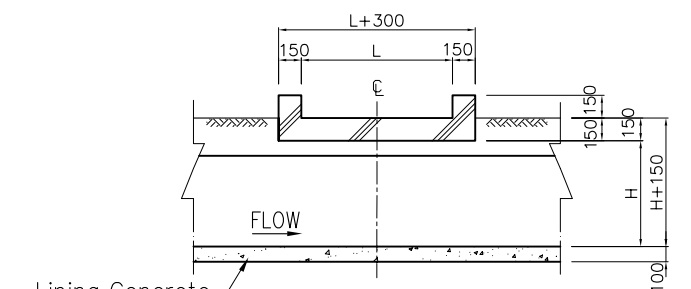
FOOTBRIDGE



PLAN OF FOOTBRIDGE



SECTION A-A



SECTION B-B

DIMENSION TABLE FOR FOOTBRIDGE

Canal Name	Footbridge No.	Sta. No.	B (mm)	H (mm)	W (mm)	L (mm)
MC	No.1	4+00	1000	1000	3600	1000
	No.2	12+00	1000	1000	3600	1000
	No.3	16+00	1000	1000	3600	3000
	No.4	20+00	1000	1000	3600	1000
	No.5	28+00	1000	1000	3600	1000
	No.6	29+50	1000	1000	3600	3000
	No.7	31+00	1000	1000	3600	1000
	No.8	32+00	1000	1000	3600	1000
	No.9	33+50	1000	1000	3600	1000
	No.10	38+00	1000	1000	3600	3000
	No.11	40+00	1000	1000	3600	1000
	No.12	43+50	800	700	2800	1000
	No.13	45+00	800	700	2800	3000
	No.14	46+50	800	700	2800	1000
	No.15	47+50	800	700	2800	1000
	No.16	51+00	800	700	2800	1000
	No.17	53+50	800	700	2800	3000
	No.18	55+50	800	700	2800	1000
BC-1	No.1	4+00	600	700	2600	3000
BC-2	No.2	4+50	600	700	2600	3000

THE REPUBLIC OF MALAWI

THE PROJECT FOR REHABILITATION OF
BWANJE VALLEY IRRIGATION SYSTEM

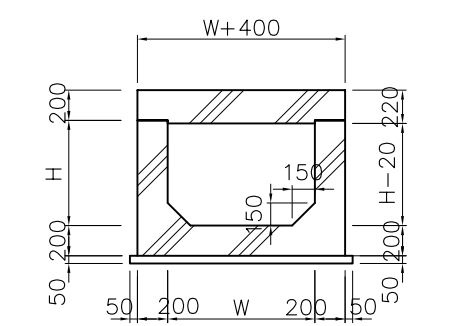
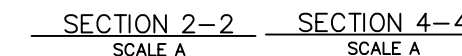
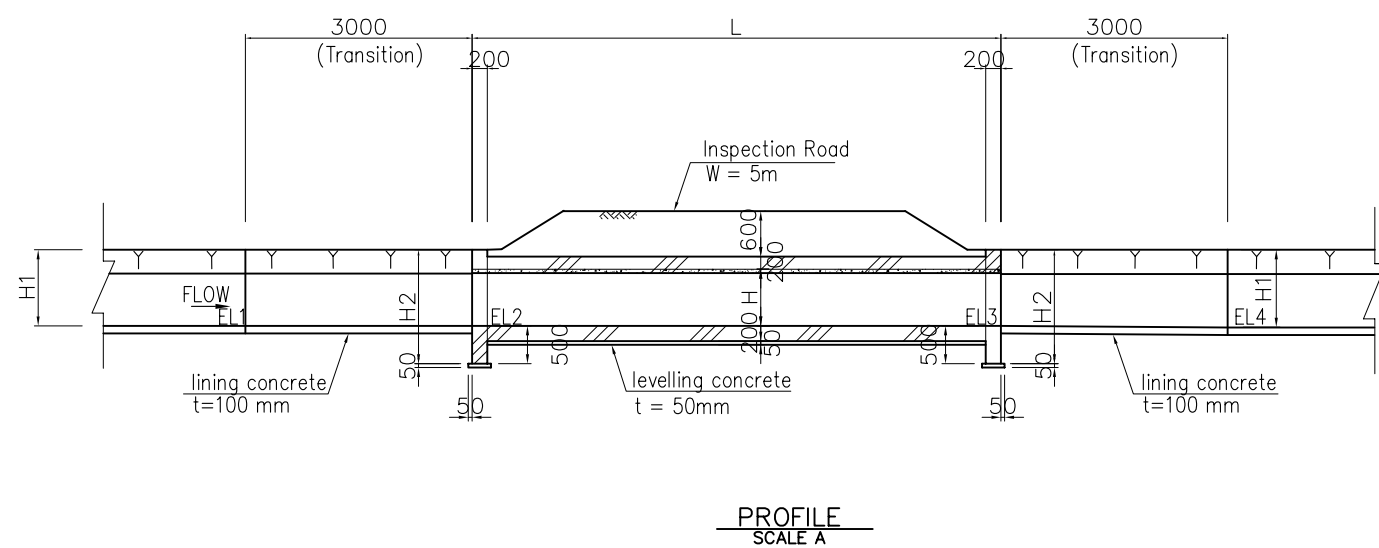
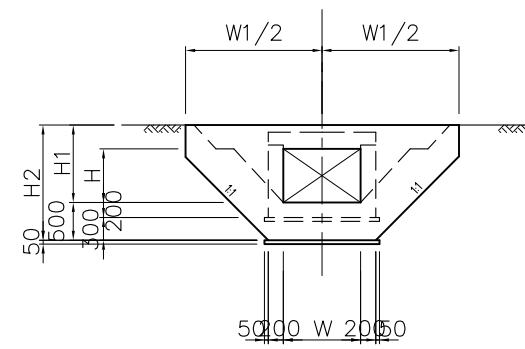
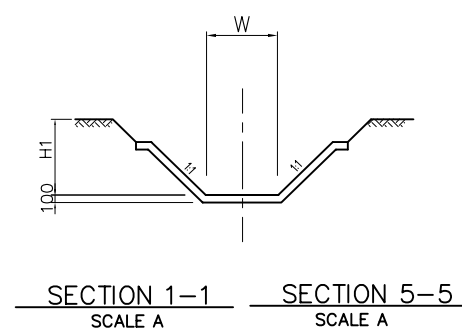
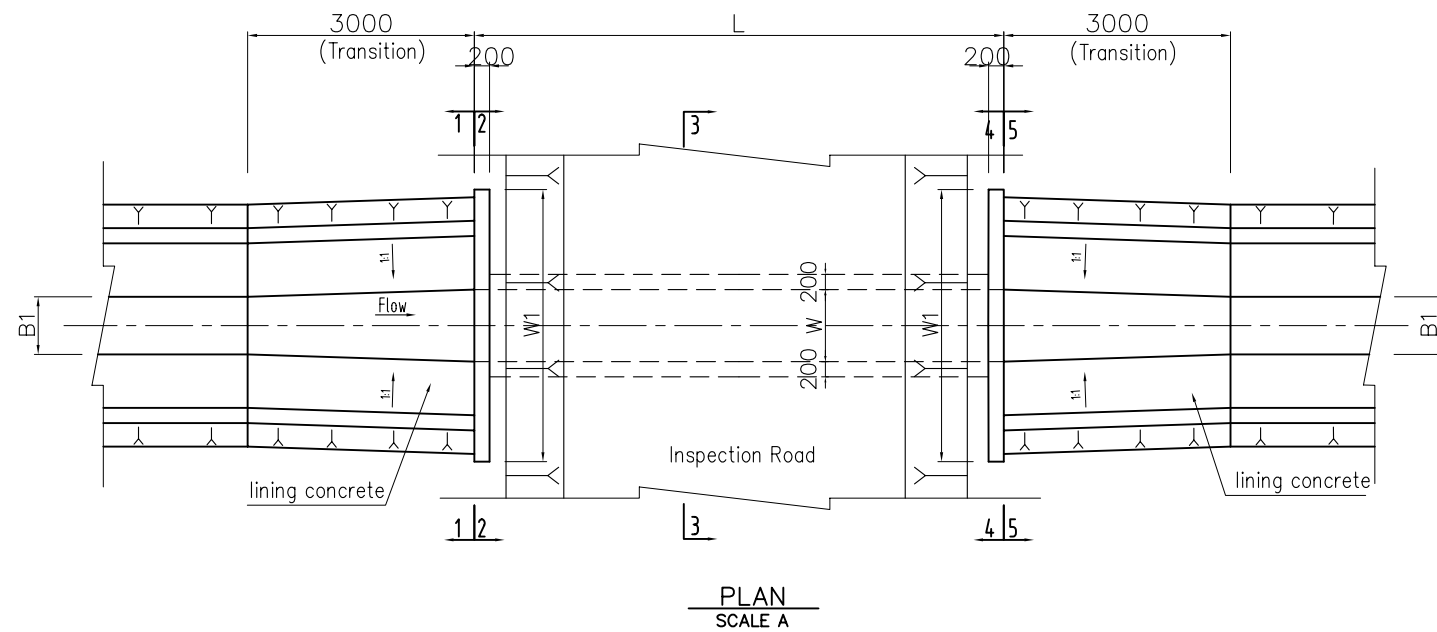
TITLE OF DRAWING

落差工、水路横断工

DRAWING NO.

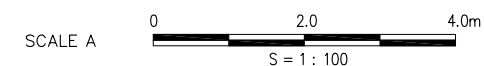
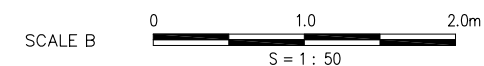
ID-27

NIPPON KOEI CO., LTD.

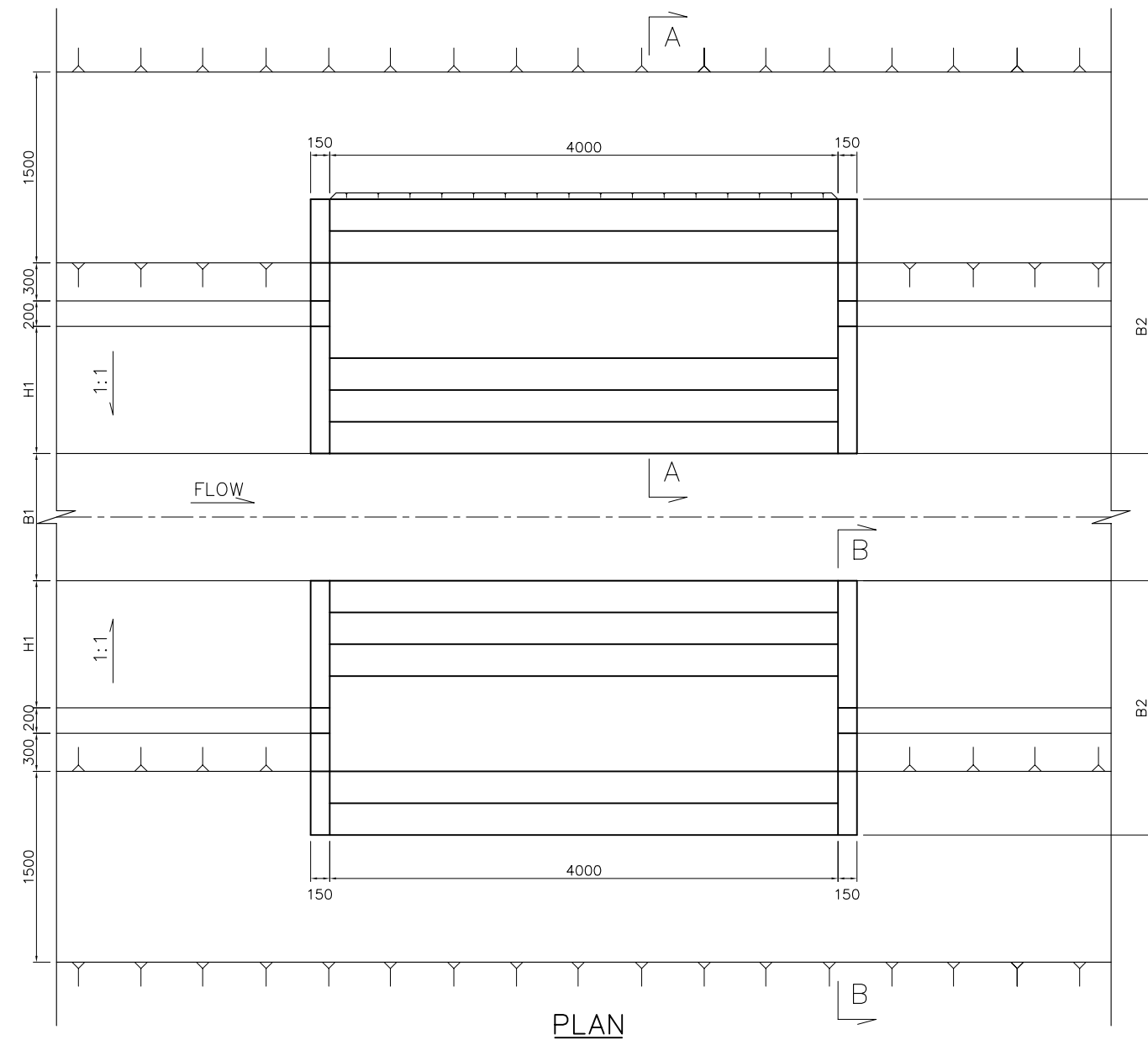


DIMENSION TABLE FOR CULVERT

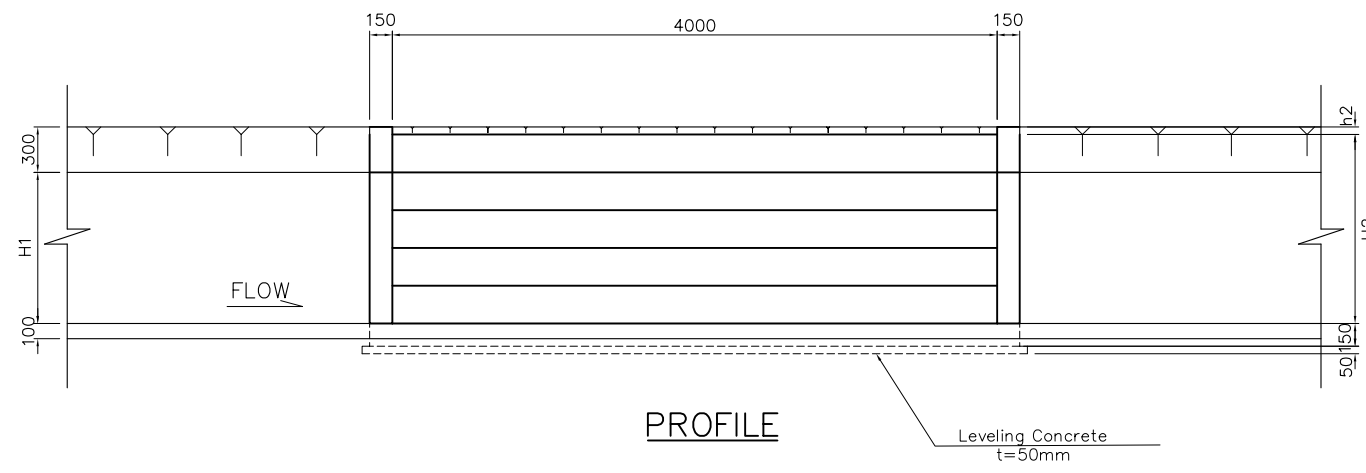
Canal Name	Culvert No.	Sta. No.	W (mm)	H (mm)	L (mm)	B1 (mm)	H1 (mm)	H2 (mm)	W1 (mm)	EL1 (m)	EL2 (m)	EL3 (m)	EL4 (m)
MC	No.1	8+45.00	1600	1000	8000	1000	1300	1800	4800	515.99	515.98	515.97	515.92
	No.2	25+44.18	1600	1000	10000	1000	1300	1800	4800	511.26	511.25	511.23	511.18
	No.3	35+03.13	1400	1000	10000	1000	1300	1800	4600	506.55	506.52	506.49	506.46
	No.4	49+60.86	1200	800	10000	800	1100	1600	4000	500.95	500.94	500.90	500.85
BC-1	No.1	9+45.42	1000	700	10000	600	1000	1500	3600	506.75	506.74	506.73	506.70
BC-2-A	No.1	0+11.58	800	500	10000	600	800	1300	3000	500.85	500.84	500.80	500.76



THE REPUBLIC OF MALAWI	
THE PROJECT FOR REHABILITATION OF BWANJE VALLEY IRRIGATION SYSTEM	
TITLE OF DRAWING	
カルバート工	
DRAWING NO.	ID-28
NIPPON KOEI CO., LTD.	



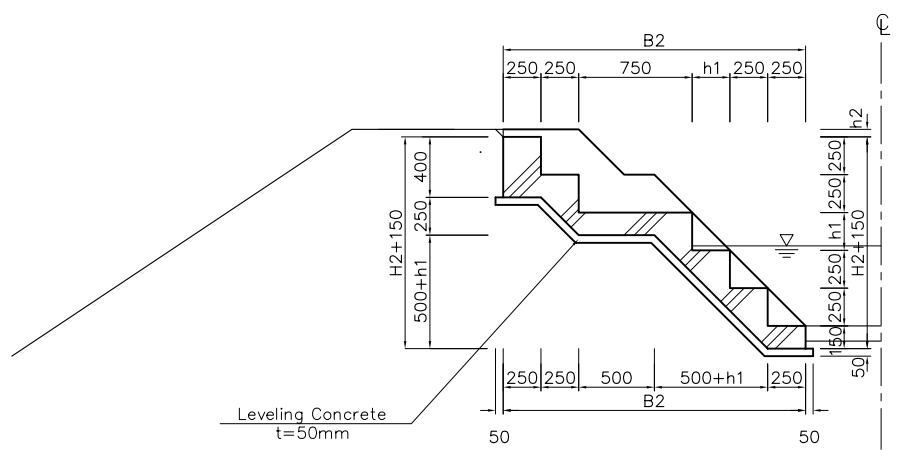
PLAN



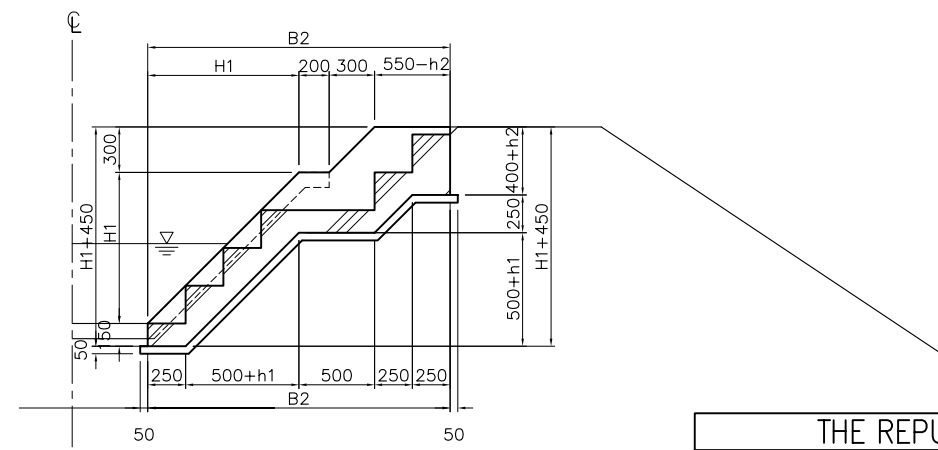
PROFILE

DIMENSION TABLE FOR WASHING BASIN

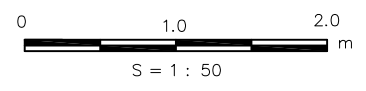
Main Canal	Sta. No.	B1 (mm)	B2 (mm)	H1 (mm)	H2 (mm)	h1 (mm)	h2 (mm)
No.1	8+50.00	1000	2000	1000	1250	250	50
No.2	25+44.00	1000	2000	1000	1250	250	50
No.3	34+50.00	1000	2000	1000	1250	250	50
No.4	50+00.00	800	1750	700	1000	0	0



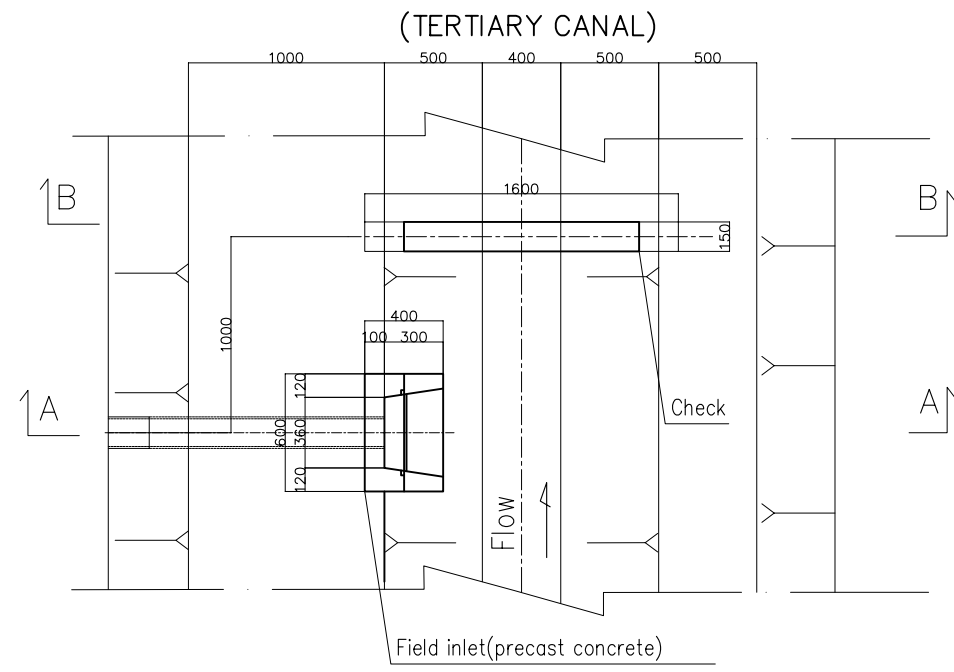
SECTION A-A



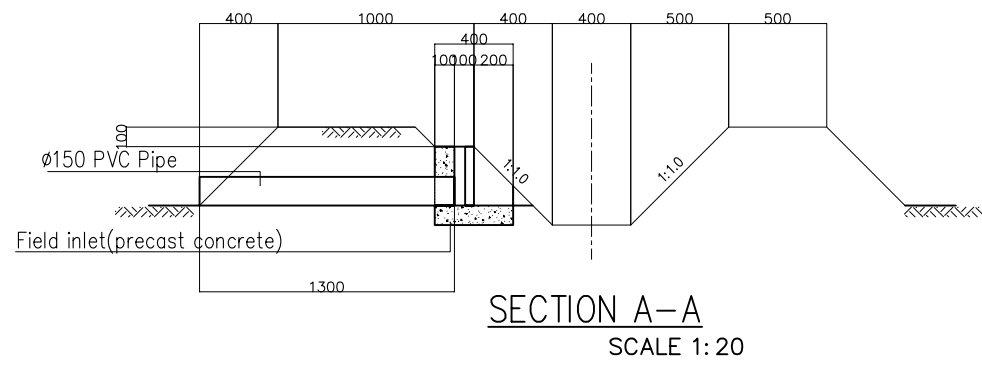
SECTION B-B



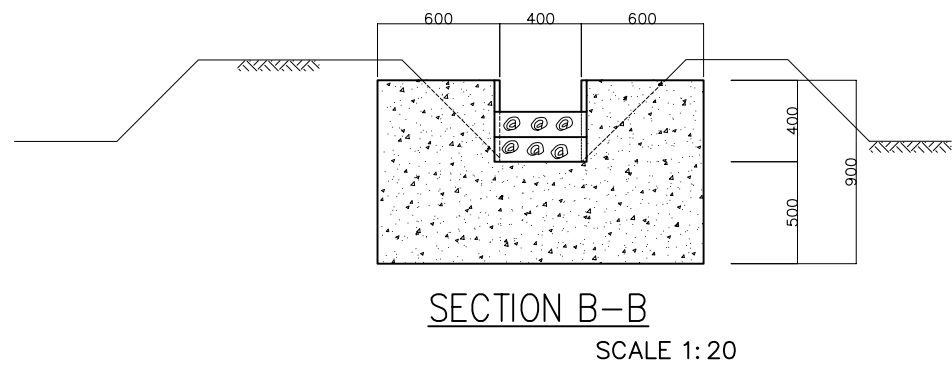
THE REPUBLIC OF MALAWI	
THE PROJECT FOR REHABILITATION OF BWANJE VALLEY IRRIGATION SYSTEM	
TITLE OF DRAWING	
洗濯場	
DRAWING NO.	ID-29
NIPPON KOEI CO., LTD.	



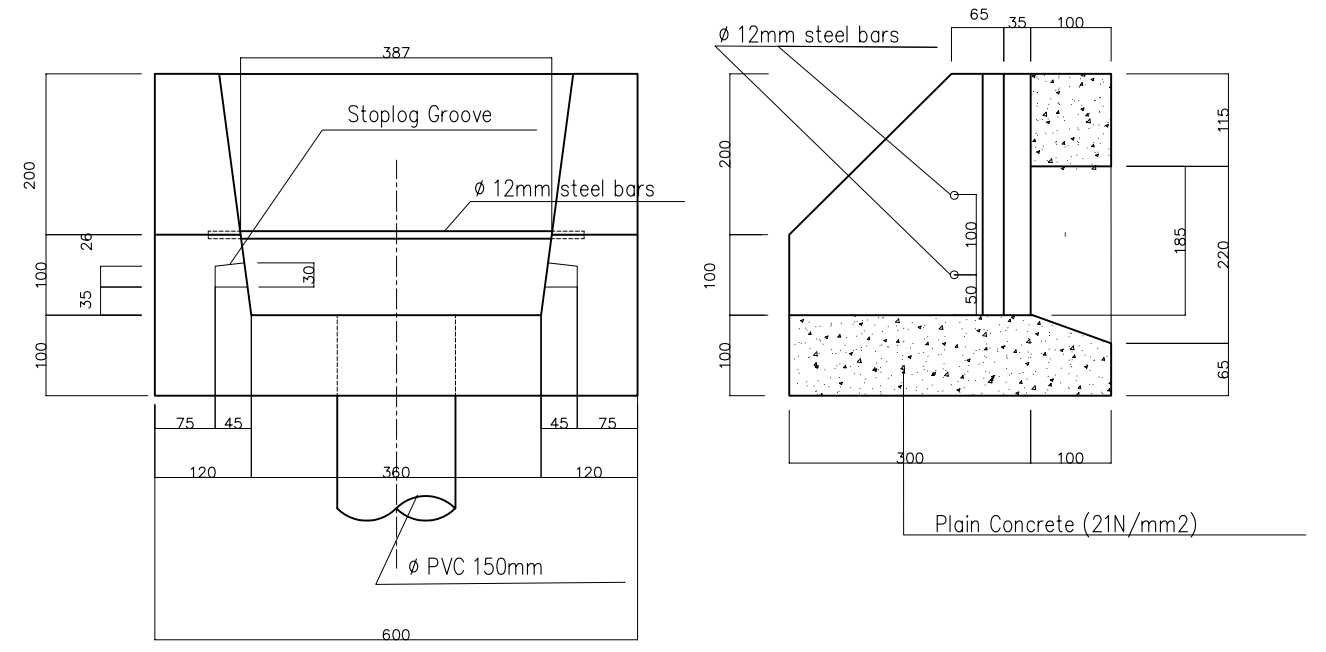
PLAN ON FARM STRUCTURE
SCALE 1:20



SECTION A-A
SCALE 1:20



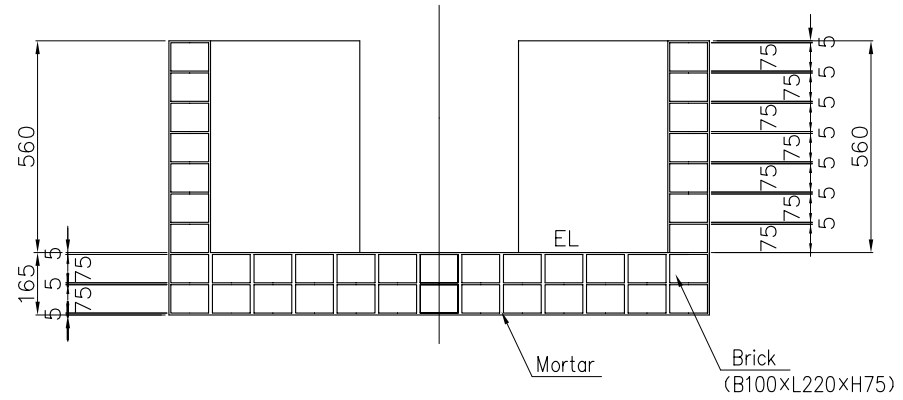
SECTION B-B
SCALE 1:20



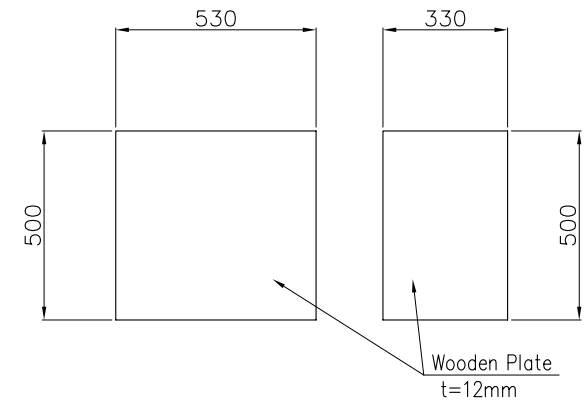
PLAN, ELEVATION AND SECTION OF FIELD INLET
Scale 1:5

Name of Branch Canal	Name of Tertiary Canal	No. of Farm Structure
BC-1	BC-1-7L	1
	BC-1-15R	3
	BC-1-16R	2
	BC-1-17R	2
BC-2	BC-2-6L	1
	BC-2-14R	3
	BC-2-15R	3
	BC-2-16R	3

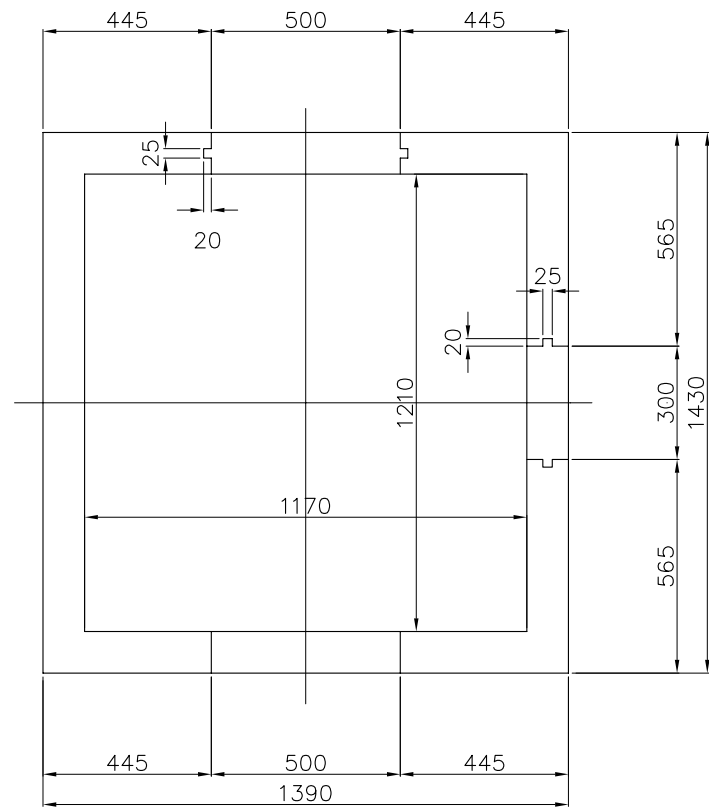
THE REPUBLIC OF MALAWI	
THE PROJECT FOR REHABILITATION OF BWANJE VALLEY IRRIGATION SYSTEM	
TITLE OF DRAWING	
圃場取入口	
DRAWING NO.	ID-30
NIPPON KOEI CO., LTD.	



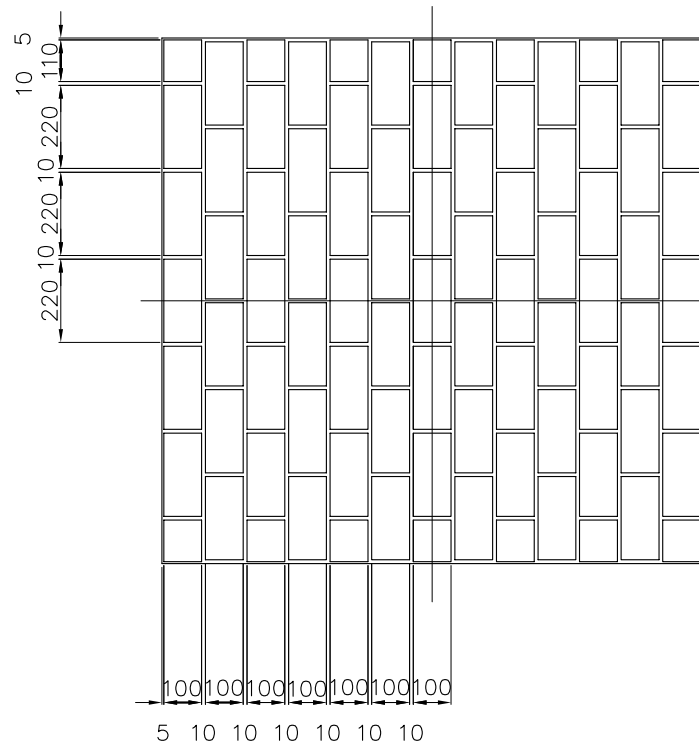
BRICK ALIGNMENT(WALL SECTION)



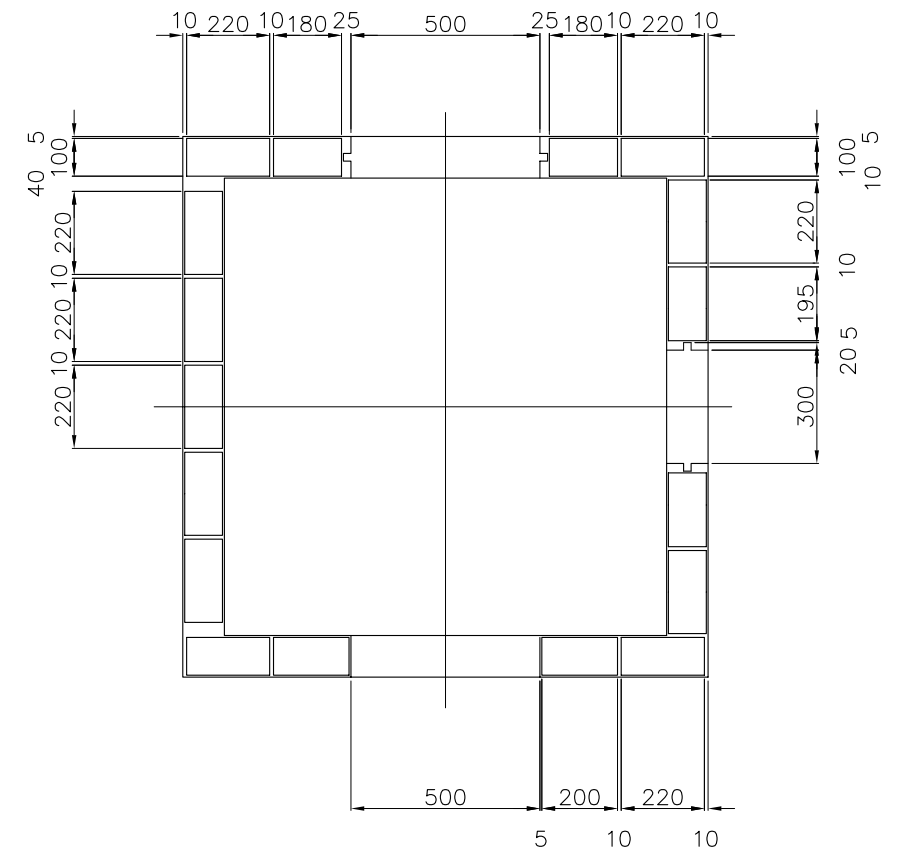
STOP LOG



PLAN



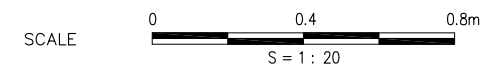
BRICK ALIGNMENT(BOTTOM)



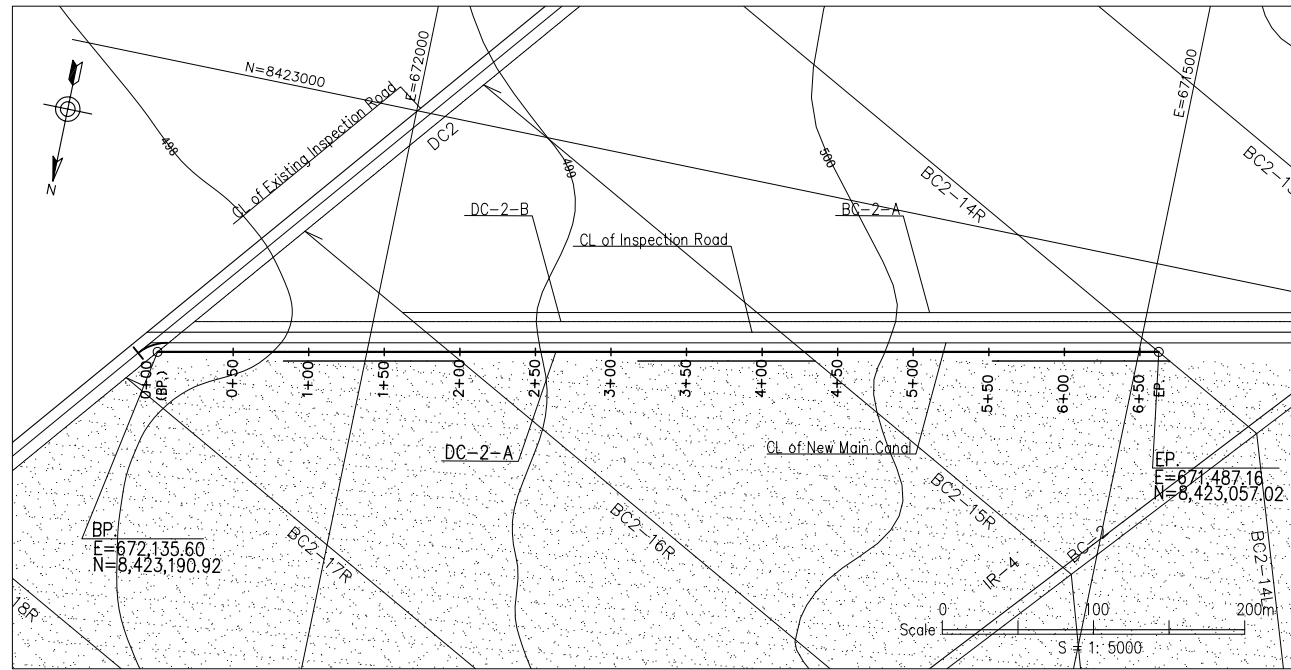
BRICK ALIGNMENT(WALL PLAN)

DIMENSION TABLE FOR DIVISION BOX

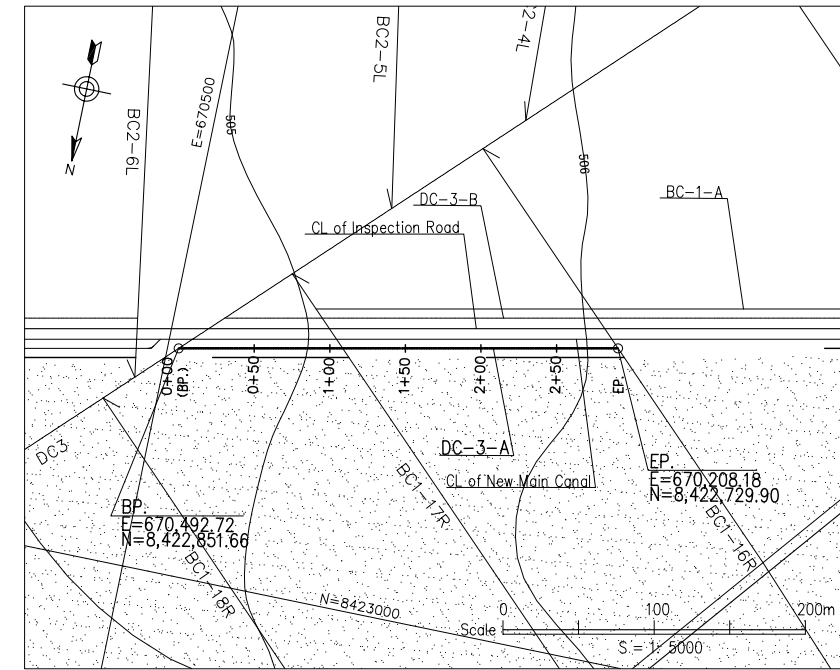
BC	No.	Sta. No.	EL1(m)
BC-1-A	DB-15	0+46.84	506.20
	DB-16	3+19.98	505.13
BC-2-A	DB-14	2+01.35	500.06
	DB-15	4+35.80	499.14



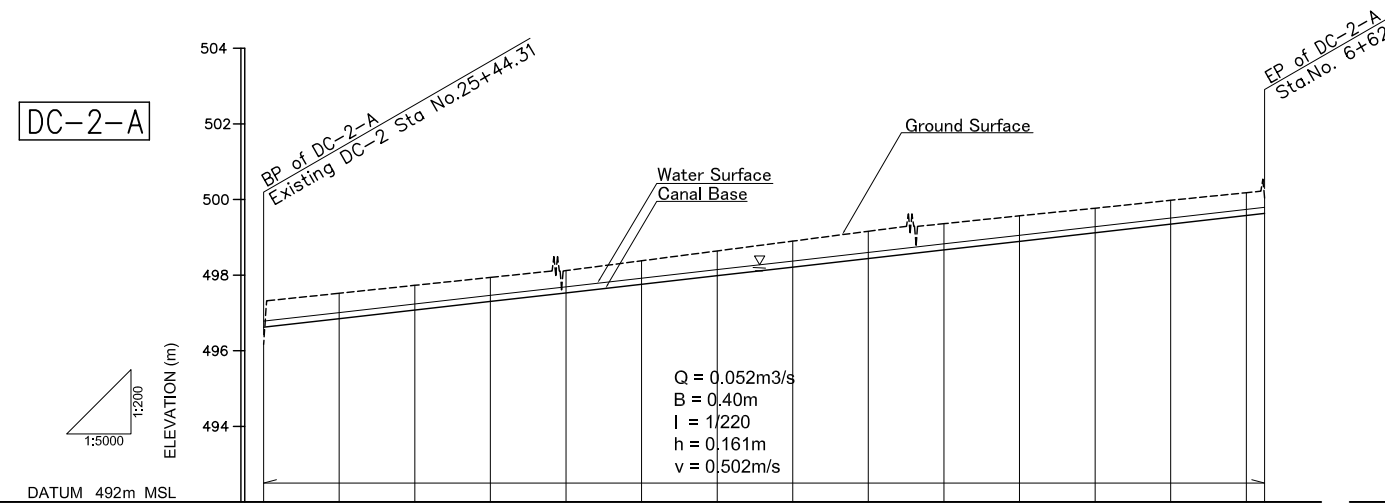
THE REPUBLIC OF MALAWI	
THE PROJECT FOR REHABILITATION OF BWANJE VALLEY IRRIGATION SYSTEM	
TITLE OF DRAWING 分水栘	
DRAWING NO.	ID-31
NIPPON KOEI CO., LTD.	



PLAN of DC-2-A

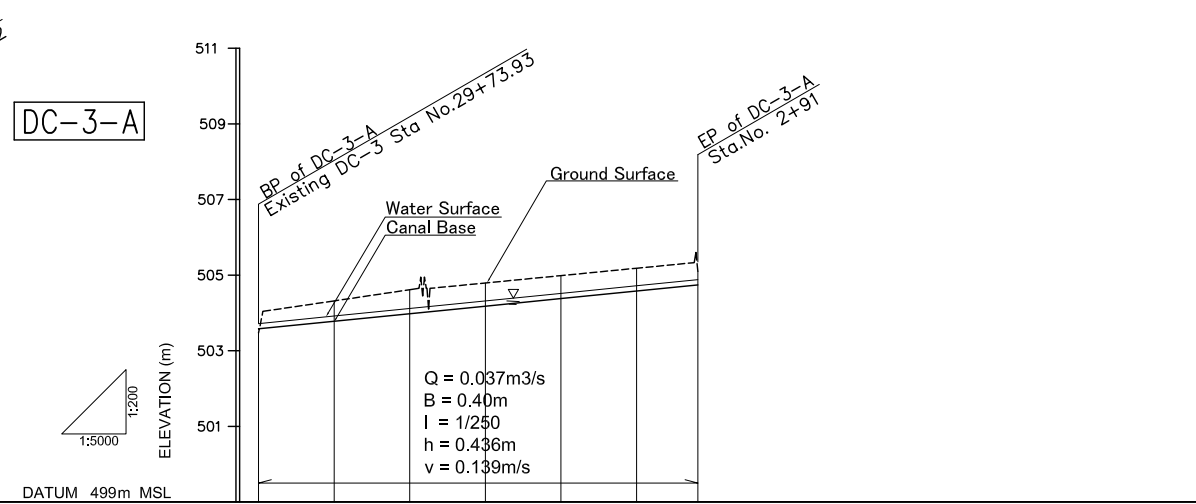


PLAN of DC-3-A



PROFILE of DC-2-A

WATER SURFACE ELEVATION	496.78	497.01	497.24	497.46	497.69	497.92	498.15	498.37	498.60	498.83	499.06	499.28	499.51	499.74	499.79
CANAL BASE ELEVATION	496.62	496.85	497.08	497.30	497.53	497.76	497.99	498.21	498.44	498.67	498.89	499.12	499.35	499.58	499.63
GROUND SURFACE ELEVATION	496.17	497.52	497.73	497.94	498.12	498.36	498.64	498.91	499.16	499.36	499.57	499.77	499.96	500.18	500.04
ACCUMULATED DISTANCE	0.00	50.00	100.00	150.00	200.00	250.00	300.00	350.00	400.00	450.00	500.00	550.00	600.00	650.00	662.12
DISTANCE	0.00	50.00	50.00	50.00	50.00	50.00	50.00	50.00	50.00	50.00	50.00	50.00	50.00	50.00	12.12
STATION No.	0+00	0+50	1+00	1+50	2+00	2+50	3+00	3+50	4+00	4+50	5+00	5+50	6+00	6+50	6+62



PROFILE of DC-3-A

WATER SURFACE ELEVATION	503.72	503.92	504.12	504.32	504.52	504.72	504.88
CANAL BASE ELEVATION	503.56	503.78	503.98	504.18	504.38	504.58	504.74
GROUND SURFACE ELEVATION	503.47	504.32	504.61	504.79	504.99	505.18	505.10
ACCUMULATED DISTANCE	0.00	50.00	100.00	150.00	200.00	250.00	290.54
DISTANCE	0.00	50.00	50.00	50.00	50.00	50.00	40.54
STATION No.	0+00	0+50	1+00	1+50	2+00	2+50	2+91

THE REPUBLIC OF MALAWI	
THE PROJECT FOR REHABILITATION OF BWANJE VALLEY IRRIGATION SYSTEM	
TITLE OF DRAWING 排水路 DC-2-A、DC-3-A 平面 縦断面	
DRAWING NO.	ID-32
NIPPON KOEI CO., LTD.	