

7. ADB ローンによる「SKILLS DEVELOPMENT PROJECT」機材リスト抜粋

Inventory (as at August 31, 2004)
1707 SRI [SF] Skills Development Project
Department of Technical Education and Training (DTET)

Description		Price per centre (Rs.)	No. of centres	Total Price (Rs.)
Management Information Centres (MIS)				
1	Main Centre	1,475,134.68	1	1,475,134.68
2	Sub Centres	201,361.67	37	7,450,381.79
Sub Total				8,925,516.47
Career Guidance and Counseling Centres (CG&CCs)				
1	Millennium Centre	1,475,702.13	1	1,475,702.13
2	Sub Centres	795,652.88	17	13,526,098.96
Sub Total				15,001,801.09
Learning Resource Utilization Centres (LRUCs)				
1	Centre with A4 copier	2,017,397.78	8	16,139,182.24
2	Centre with A3 copier	2,235,197.78	13	29,057,571.14
Sub Total				45,196,753.38
Grand Total				69,124,070.94

Inventory (as at August 31, 2004)
1707 SRI [SF] Skills Development Project

Technical College, Kand

No.	Item	Make & Model/Description	Unit Price (Rs.)	Qty	Total Price (Rs.)
Equipment - CG&C					
1	Computer	HP Vectra VL 800	105,025.06	3	315,075.18
2	Laser Printer	Lexmark Optra M412	39,768.75	1	39,768.75
3	UPS	ARC BP 500IN	8,992.53	3	26,977.59
4	Colour TV	Sony KVTG21 M61	39,300.00	1	39,300.00
5	DVideo CD Player	Philips CDC 939 SV	14,832.00	1	14,832.00
6	Photo Copier	Konica 3231	154,687.50	1	154,687.50
7	Photo Copier	Canon IR1600	285,200.00	1	285,200.00
8	Multimedia Projector	Sanyo PLC-SU30	357,750.00	1	357,750.00
9	Slide Projector	Kindermann Silent 2500 Data	43,312.50	1	43,312.50
10	Overhead Projector	Redleaf TT285-TAI	10,956.13	1	10,956.13
11	Overhead Projector (Portable)	EIKI OHP 3200	47,150.00	1	47,150.00
12	Tripod Screen	Cinon 6' x 6'	5,062.50	1	5,062.50
13	Magi Board	8' x 4'	6,637.50	1	6,637.50
14	Flip Chart	Copyfax (25"x40", 3 legs star	6,785.00	1	6,785.00
15	Cork Board	Magiboard (3' x 4')	3,967.50	1	3,967.50
16	Display Board	Magiboard (4* x 4') with star	10,235.00	2	20,470.00
17	Computer Chair	Pablo Pro 298 GA	4,456.66	3	13,369.98
Furniture - CG&C					
18	Discussion Table	Wooden 8' x 4'	10,600.00	1	10,600.00
19	Office Chair	Wooden	1,275.00	9	11,475.00
20	Glass Cupboard (Book Rack)	Wooden	12,000.00	1	12,000.00
21	Display Rack	Wooden	7,500.00	2	15,000.00
22	Notice Board	Wooden	2,100.00	1	2,100.00
23	Computer Table (small)	Wooden	5,825.00	2	11,650.00
24	Computer Table (large)	Wooden	7,125.00	1	7,125.00
25	Office Table	Wooden	6,675.00	1	6,675.00
26	TV Stand	Wooden	4,275.00	1	4,275.00
27	OHP Stand	Wooden	3,500.00	1	3,500.00
Total					1,475,702.13

Inventory (as at August 31, 2004)
1707 SRI [SF] Skills Development Project

Technical College, Colombo 10

No.	Item	Make & Model/Description	Unit Price (Rs.)	Qty	Total Price (Rs.)
Equipment - MIS					
1	Server System, Multimedia PC	IBM Netvista M42 Series	107,395.93	1	107,395.93
2	External Fax Modem	D-Link 56KBPS	5,526.72	1	5,526.72
3	Dot Matrix Printer	Lexmark 2491	63,024.00	1	63,024.00
4	UPS (800 VA)	SOHOMate 800	11,629.00	1	11,629.00
Furniture - MIS					
5	Computer Table	Wooden (2' 6" x 3' 4" x 2' 0")	10,836.00	1	10,836.00
6	Computer Chair	Grip GS 988 MA	2,950.02	1	2,950.02
Total					201,361.67

Inventory (as at August 31, 2004)
1707 SRI [SF] Skills Development Project

Technical College, Wariyapola

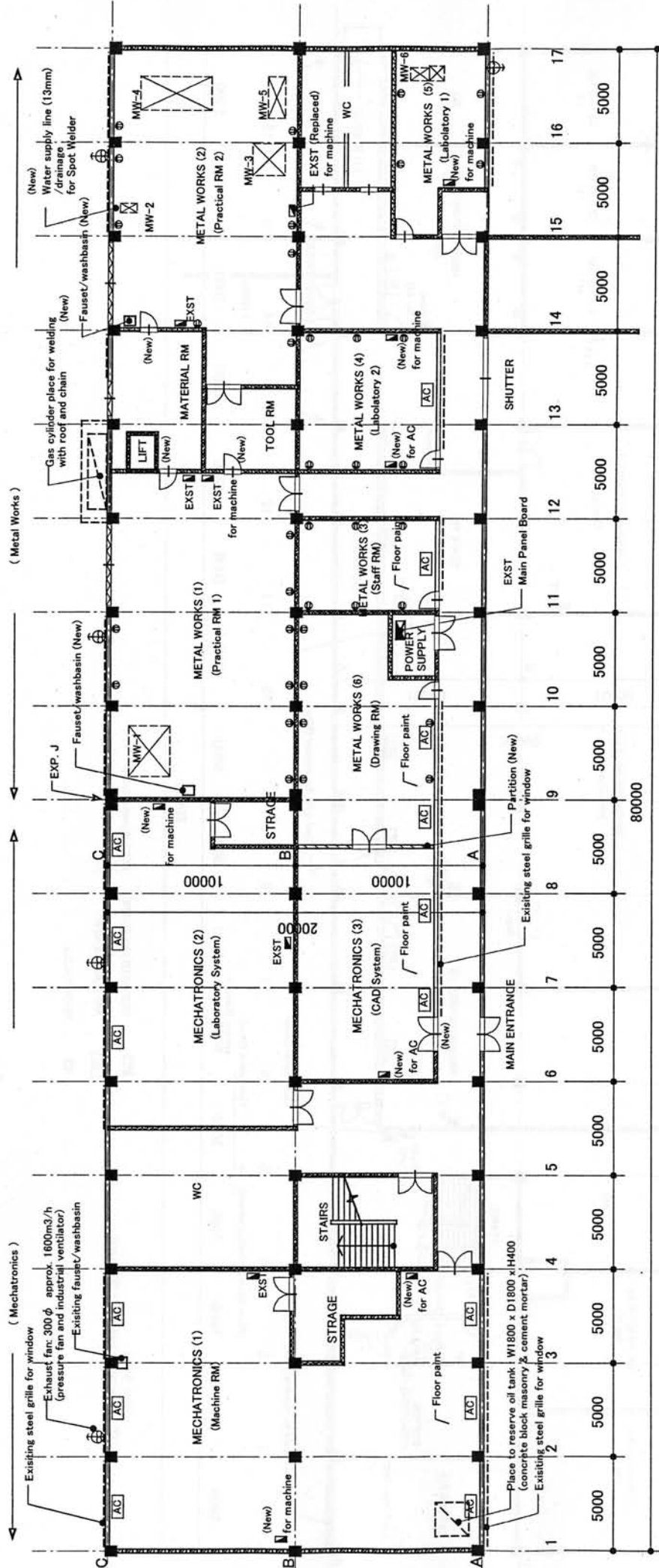
No.	Item	Make & Model/Description	Unit Price (Rs.)	Qty	Total Price (Rs.)
Equipment - LRUC					
1	Computer	Acer Veritron 7600 G	97,350.00	8	778,800.00
2	UPS	ARC BP 500 IN	7,373.52	8	58,988.16
3	Color TV	JVCAV21 F3	23,760.00	3	71,280.00
4	DVD	JVC XV S 332 SL	19,320.00	3	57,960.00
5	Photo Copier (A3)	Canon Image Runner 1600	282,700.00		0.00
6	Photo Copier (A4)	Canon Image Class D 620	64,900.00	1	64,900.00
7	LCD Data Projector	Canon LV 7350	346,800.00	1	346,800.00
8	OHP	Godrej PV 2000	21,120.00	3	63,360.00
9	Tripod Screen	Cinon (1.5mx 1.5m)	6,648.00	3	19,944.00
10	Magnetic Board with wheels	Magiboards HPL (41 x 6')	13,627.20	3	40,881.60
11	Network Cabling		78,064.02	1	78,064.02
Furniture - LRUC					
12	Computer Table	Wooden (2' 6" x 1' 8" x 2' 1")	8,120.00	2	16,240.00
13	Study Carrels	Wooden	18,030.00	6	108,180.00
14	Staff Table	Wooden (4' 6" x 2' 6" x 2' 5")	10,940.00	1	10,940.00
15	Computer Chair	Godrej PCH 7042	15,328.00	9	137,952.00
16	TV Trolley	Godrej KDTV Trolley	4,744.00	3	14,232.00
17	OHP & Multimedia Projector Stand	Godrej	5,500.00	3	16,500.00
18	Classroom Chair	Godrej CH 1018	4,528.00	20	90,560.00
19	Steel Cupboard	Godrej KD Storwel	13,168.00	2	26,336.00
20	Paper Rack	MDF (4' 6" x 14" x 5' 0")	15,480.00	1	15,480.00
Total					2,017,397.78

8. 施設図面

Inventory List for Project 1001
 1001 1001 1001 1001 1001 1001 1001 1001 1001 1001

Project Name: 1001 1001 1001

Item ID	Item Name	Unit	Quantity	Price	Total
01	Computer	台	1	100,000	100,000
02	Printer	台	1	20,000	20,000
03	Scanner	台	1	30,000	30,000
04	Software License	ライセンス	1	50,000	50,000
05	Office Chair	椅子	1	10,000	10,000
06	Office Table	机	1	15,000	15,000
07	Office Lamp	照明器具	1	5,000	5,000
08	Office Desk	デスク	1	12,000	12,000
09	Office Chair	椅子	1	10,000	10,000
10	Office Table	机	1	15,000	15,000
11	Office Lamp	照明器具	1	5,000	5,000
12	Office Chair	椅子	1	10,000	10,000
13	Office Table	机	1	15,000	15,000
14	Office Lamp	照明器具	1	5,000	5,000
15	Office Chair	椅子	1	10,000	10,000
16	Office Table	机	1	15,000	15,000
17	Office Lamp	照明器具	1	5,000	5,000
18	Office Chair	椅子	1	10,000	10,000
19	Office Table	机	1	15,000	15,000
20	Office Lamp	照明器具	1	5,000	5,000
Total				1,000,000	1,000,000

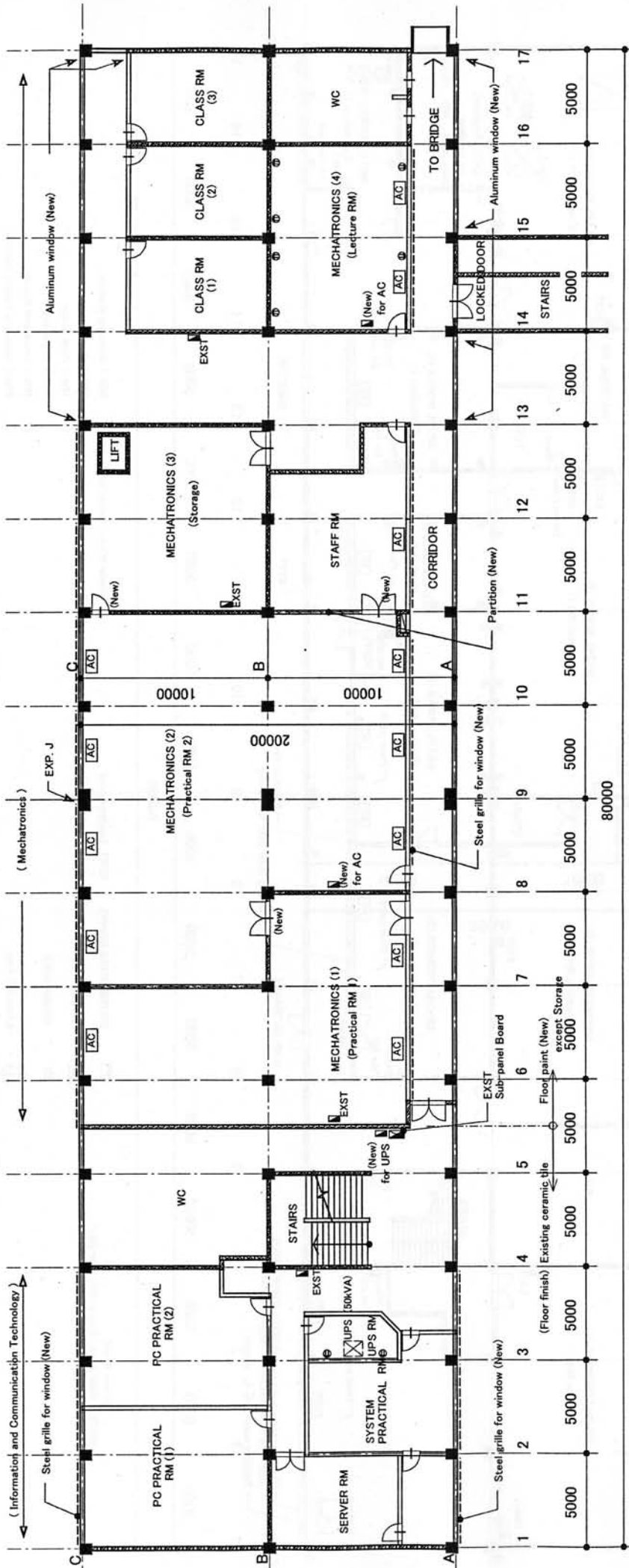


- NOTE** (Floor finish)
 Floor paint : Epoxy resin floor paint
- ▣ DISTRIBUTION BOARD
 - ▣ EXIST-Existing board
 - ▣ AIR CONDITIONER
 - ⊕ RECEPTACLE
 - ⊕ EXHAUST FAN
 - ▣ METAL WORKS - Large Equipment
 - ⊕ MW-1 - Shearing Machine
 - ⊕ MW-2 - Spot Welder
 - ⊕ MW-3 - Foot Shear
 - ⊕ MW-4 - Press Brake
 - ⊕ MW-5 - Universal Bender
 - ⊕ MW-6 - Universal Testing Machine

GROUND FLOOR PLAN S=1/200
TECHNICAL COLLEGE, MARADANA

Revised : 0707 P 2 1

F.T. 20050628



- (Floor finish) Floor paint: Epoxy resin floor paint
- DISTRIBUTION BOARD
- EXST: Existing board
- AC AIR CONDITIONER
- ⊙ RECEPTACLE

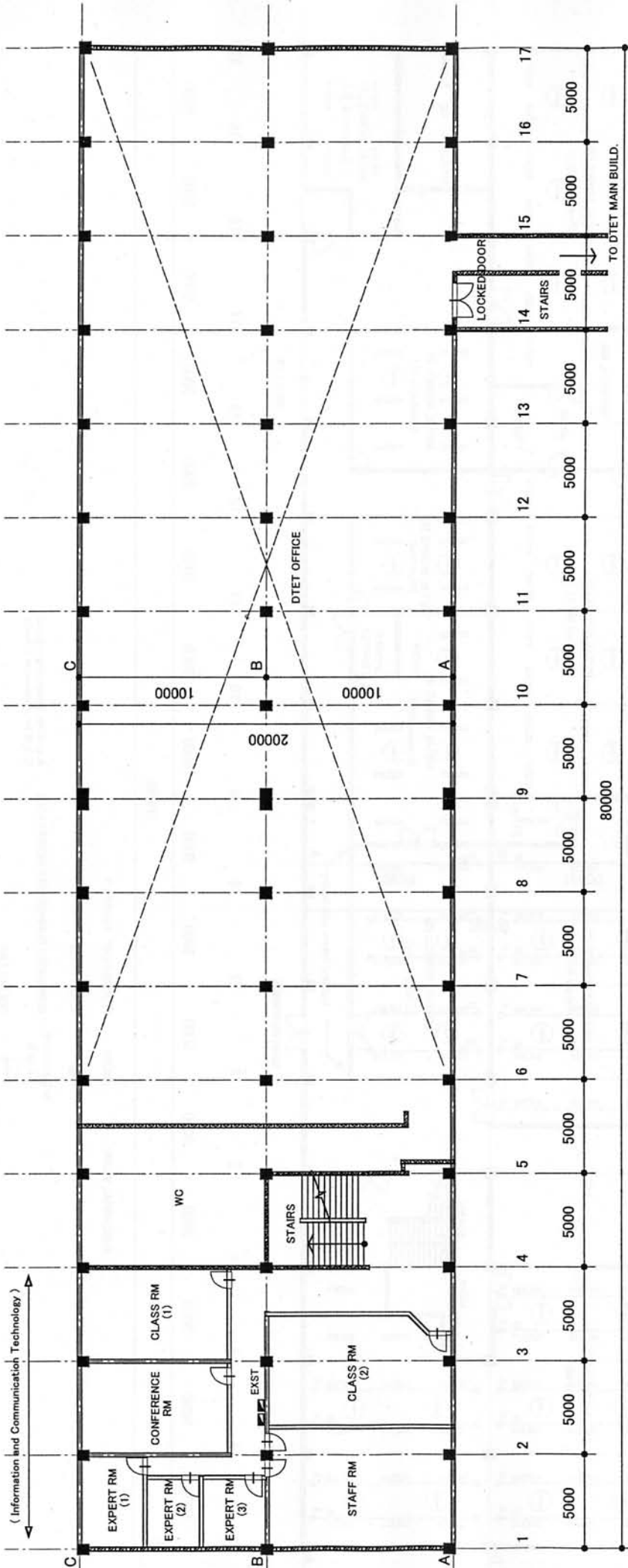
NOTE: Floor paint: Epoxy resin floor paint

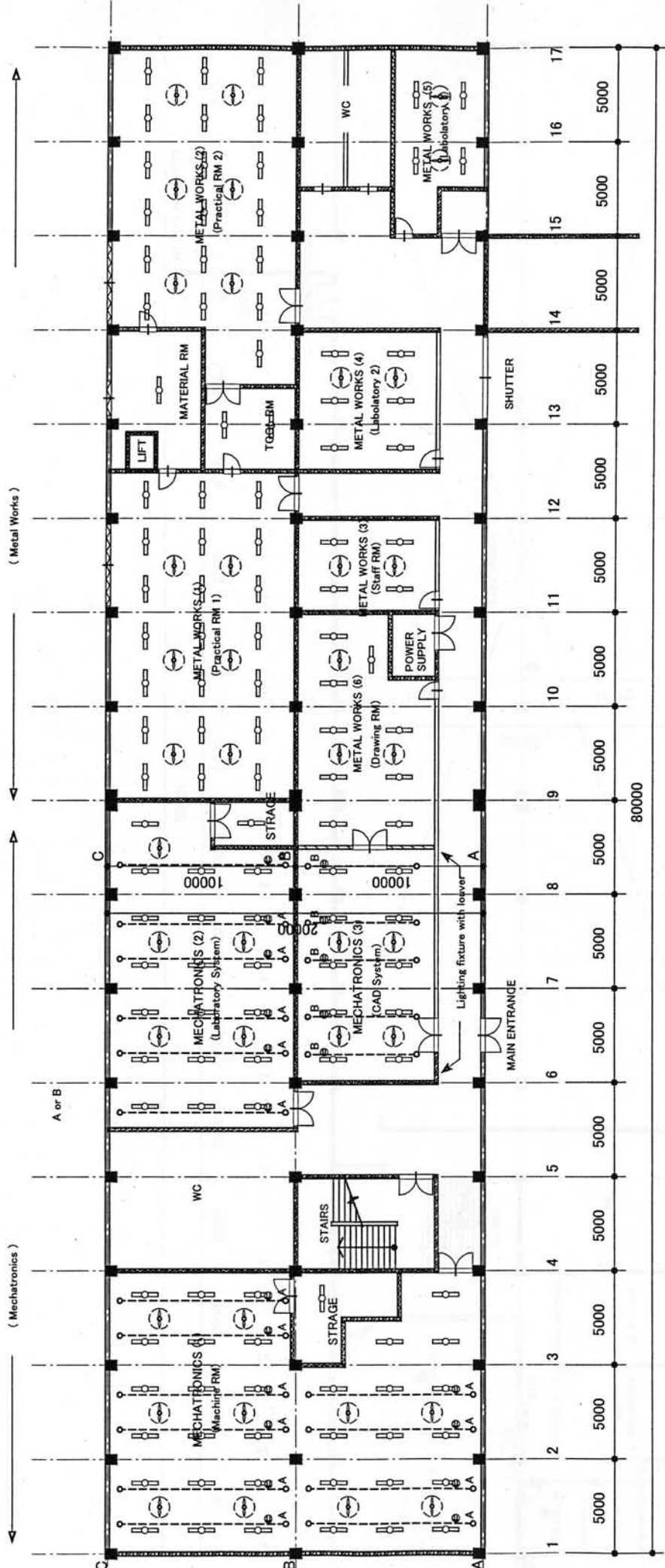
Revised : 0707 P 2 2

1st FLOOR PLAN S=1/200

TECHNICAL COLLEGE, MARADANA

F.T. 20050628





- ⊠ ELECTRICAL WORK
- ⊠ FLUORESCENT FL40W x 2
- ⊠ RECEPTACLE
- ⊠ SUSPENDED RUNNER WITH RECEPTACLE
- ⊠ CEILING FAN
- ⊠ MECHATRONICS (1) (Mechatronics)
- ⊠ MECHATRONICS (2) (Laboratory System)
- ⊠ MECHATRONICS (3) (CAD System)
- ⊠ MECHATRONICS (4) (Mechatronics)
- ⊠ MECHATRONICS (5) (Mechatronics)
- ⊠ MECHATRONICS (6) (Mechatronics)
- ⊠ MECHATRONICS (7) (Mechatronics)
- ⊠ MECHATRONICS (8) (Mechatronics)
- ⊠ MECHATRONICS (9) (Mechatronics)
- ⊠ MECHATRONICS (10) (Mechatronics)
- ⊠ MECHATRONICS (11) (Mechatronics)
- ⊠ MECHATRONICS (12) (Mechatronics)
- ⊠ MECHATRONICS (13) (Mechatronics)
- ⊠ MECHATRONICS (14) (Mechatronics)
- ⊠ MECHATRONICS (15) (Mechatronics)
- ⊠ MECHATRONICS (16) (Mechatronics)
- ⊠ MECHATRONICS (17) (Mechatronics)
- ⊠ METAL WORKS (1) (Practical RM 1)
- ⊠ METAL WORKS (2) (Practical RM 2)
- ⊠ METAL WORKS (3) (Practical RM 3)
- ⊠ METAL WORKS (4) (Laboratory 2)
- ⊠ METAL WORKS (5) (Laboratory 1)
- ⊠ METAL WORKS (6) (Laboratory 2)
- ⊠ MATERIAL RM
- ⊠ TOILET RM
- ⊠ WC
- ⊠ STAIRS
- ⊠ LIFT
- ⊠ POWER SUPPLY
- ⊠ SHUTTER

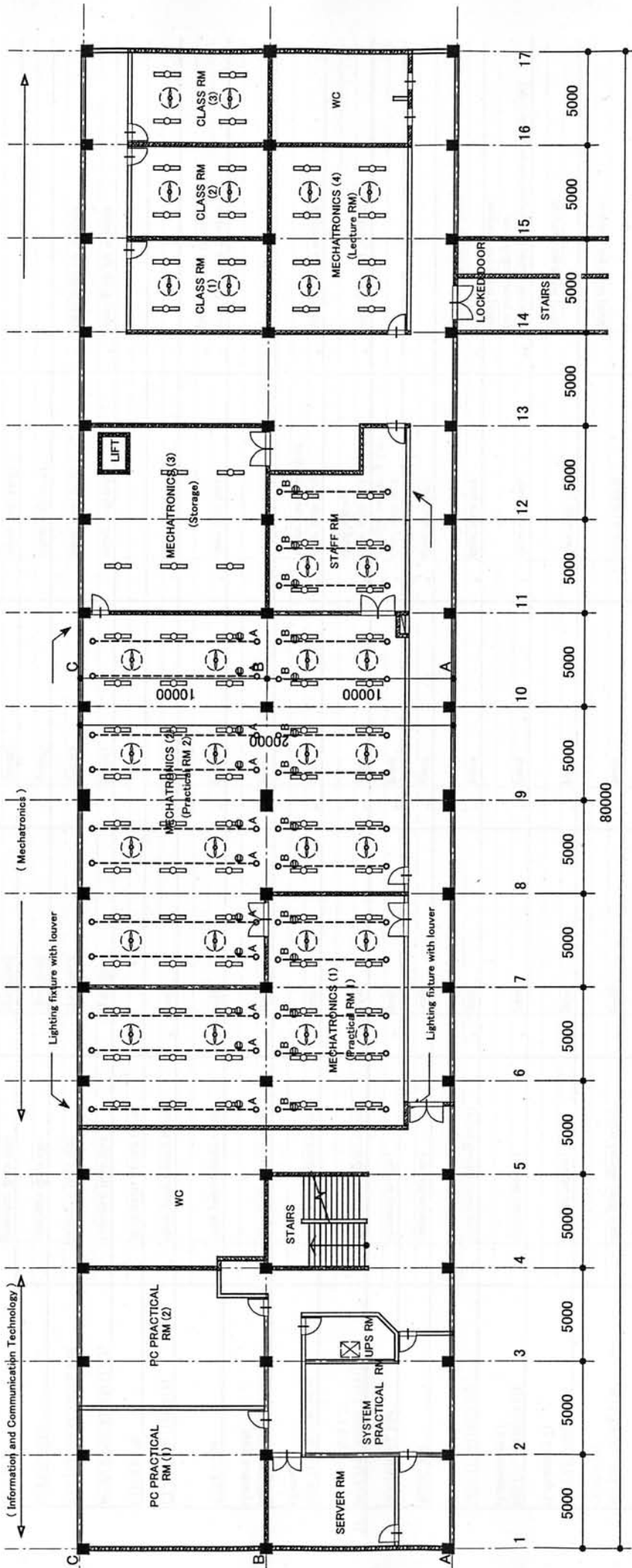
A: L=9.0m, receptacle x 5sets
 B: L=6.5m, receptacle x 4sets

GROUND FLOOR PLAN S=1/200 (CEILING PLAN)

TECHNICAL COLLEGE, MARADANA

Revised : 0707 P 2 4

F.T. 20050628



279

- ELECTRICAL WORK
- FLUORESCENT FL40W x 2
 - RECEPTACLE
 - SUSPENDED RUNNER WITH RECEPTACLE
 - CEILING FAN
- A: L=9.0m, receptacle x 5sets
 B: L=6.5m, receptacle x 4sets

1st FLOOR PLAN S=1/200 (CEILING PLAN)

TECHNICAL COLLEGE, MARADANA

Room	Interior Finish		Ceiling	Windows & Doors		Remarks
	Floor	Wall				
GF MECHATRONICS (1) (Machine RM)	* floor paint (epoxy resin)	* paint	* paint	* door with lock	** concrete foundation for heavy equipment place for waste oil tank (concrete block & mortar) (steel grille for window)	
MECHATRONICS (2) (Laboratory System)	* cement mortar	* paint	* paint	* door with lock	concrete foundation for heavy equipment (steel grille for window)	
MECHATRONICS (3) (CAD System)	* floor paint (epoxy resin)	* paint	* paint	* door with lock * double door	(steel grille for window)	
METAL WORKS (1) (2) (Practical RM 1, 2)	* cement mortar	* paint	* paint	* door with lock	gas cylinder place with roof and chain (steel grille for window)	
METAL WORKS (3) (Staff RM)	* floor paint (epoxy resin)	* paint	* paint	* door with lock	(steel grille for window)	
METAL WORKS (4) (Laboratory 2)	(cement mortar)	* paint	* paint	* door with lock	(steel grille for window)	
METAL WORKS (5) (Laboratory 1)	(cement mortar)	* paint	* paint	* door with lock	(steel grille for window)	
METAL WORKS (6) (Drawing RM)	* floor paint (epoxy resin)	* paint	* paint	* door with lock	concrete foundation (vibration isolation type) for heavy equipment (steel grille for window)	
TOOL RM	(cement mortar)	* paint	* paint	* door with lock	partition (steel grille for window)	
MATERIAL RM	(cement mortar)	* paint	* paint	* door with lock * single swinging door		
MECHATRONICS (1) (2) (Practical RM 1,2)	* floor paint (epoxy resin)	* paint	* paint	* door with lock * single swinging door * door with lock * double door	steel grille for window	
MECHATRONICS (3) (Storage)	* floor paint (epoxy resin)	* paint	* paint	* door with lock * single swinging door	steel grille for window	
MECHATRONICS (4) (Lecture RM)	* floor paint (epoxy resin)	* paint	* paint	* door with lock	steel grille for window	
STAFF RM	* floor paint (epoxy resin)	* paint	* paint	* door with lock	steel grille for window * partition with double door	
CLASS RM (1) (2) (3)	* floor paint (epoxy resin)	* paint	* paint	* door with lock		
CORRIDOR	* floor paint (epoxy resin)					
PC PRACTICAL RM (1) (2)	(ceramic floor tile)	(partition)	(paint)	(door with lock)	steel grille for window	
SYSTEM PRACTICAL RM	(ceramic floor tile)	(partition)	(paint)	(door with lock)	steel grille for window	
SERVER RM	(ceramic floor tile)	(partition)	(paint)	(door with lock)		
UPS RM	(ceramic floor tile)	(partition)	(paint)	(door with lock)		
CLASS RM (1) (2)	(ceramic floor tile)	(partition)	(paint)	(door with lock)		
CONFERENCE RM	(ceramic floor tile)	(partition)	(paint)	(door with lock)		
STAFF RM	(ceramic floor tile)	(partition)	(paint)	(door with lock)		
EXPERT RM (1) (2) (3)	(ceramic floor tile)	(partition)	(paint)	(door with lock)		
Others	* to repair large toilet	* to provide aluminium windows to the passage in front and rear side (1F)				

() : Present state/Existing facility

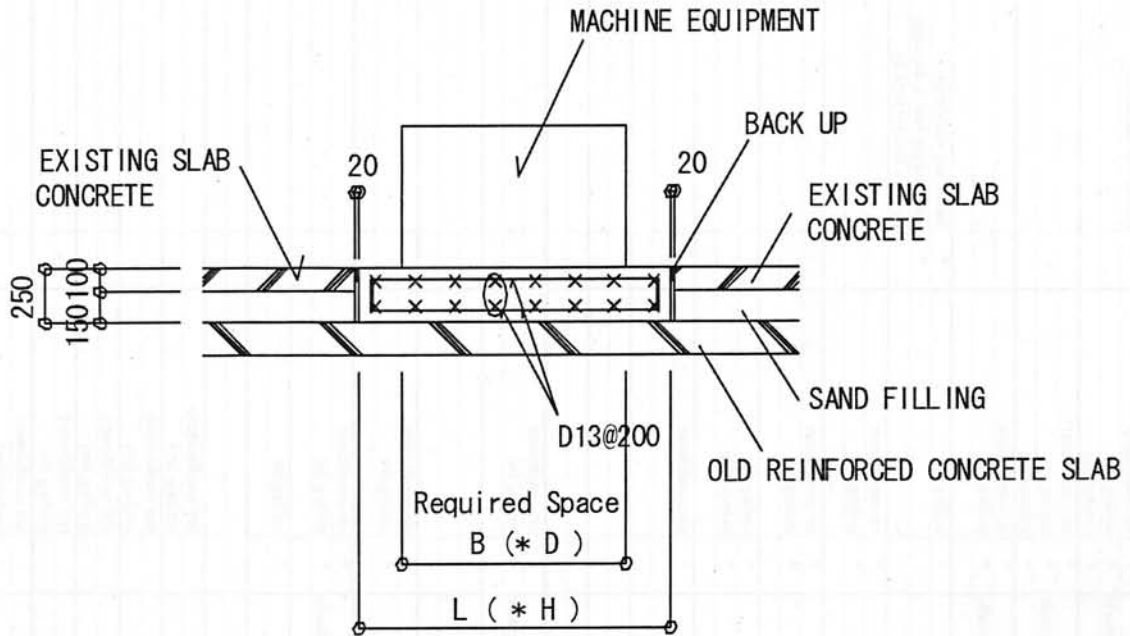
** : incidental work adjusted to final specifications and layout of equipment

NOTE * : Main work

Room	Electrical		Lighting / Receptacle		Air-conditioning		Plumbing		Remarks
	**	*	*	*	*	*	*	*	
GF	MECHATRONICS (1) (Machine RM)	**	Power Supply distribution board for machine	lighting suspended runner with receptacle	air-conditioner ceiling fan exhaust fan		(faucet and washbasin)	lighting H=FL+2450, receptacle H=FL+2450 runner: PVC or aluminium	
	MECHATRONICS (2) (LaboratorySystem)	**	distribution board for machine	lighting suspended runner with receptacle	air-conditioner ceiling fan exhaust fan			lighting H=FL+2450, receptacle H=FL+2450 runner: PVC or aluminium	
	MECHATRONICS (3) (CAD System)			lighting suspended runner with receptacle	air-conditioner ceiling fan			lighting H=FL+2450, receptacle H=FL+2450 runner: PVC or aluminium	
	METAL WORKS (1) (2) (Practical RM 1, 2)		RM 1 (distribution board for machine) RM 2 (distribution board for machine)	lighting receptacle	ceiling fan	*	faucet and washbasin water supply line & drainage for Spot Welder (RM 2)	lighting H=FL+2450, receptacle H=FL+2450 receptacle x 8	
	METAL WORKS (3) (Staff RM)			lighting receptacle	air-conditioner ceiling fan	*		lighting H=FL+2450, receptacle H=FL+2450 receptacle x 6	
	METAL WORKS (4) (Laboratory 2)	**	distribution board for machine	lighting receptacle	air-conditioner ceiling fan	*		lighting H=FL+2450 receptacle x 6	
	METAL WORKS (5) (Laboratory 1)	**	distribution board for machine	lighting receptacle	ceiling fan exhaust fan	*		lighting H=FL+2450 receptacle x 4	
	METAL WORKS (6) (Drawing RM)			lighting receptacle	air-conditioner	*		lighting H=FL+2450 receptacle x 6	
	TOOL RM			lighting					
	MATERIAL RM			lighting					
1F	MECHATRONICS (1) (2) (Practical RM 1, 2)		lighting suspended runner with receptacle	air-conditioner ceiling fan	*			lighting H=FL+2450, receptacle H=FL+2450 runner: PVC or aluminium	
	MECHATRONICS (3) (Storage)		lighting					lighting fixture with louver	
	MECHATRONICS (4) (Lecture RM)		lighting receptacle	air-conditioner ceiling fan	*			lighting H=FL+2450 receptacle x 6	
	STAFF RM		lighting suspended runner with receptacle	air-conditioner ceiling fan	*			lighting H=FL+2450, receptacle H=FL+2450 runner: PVC or aluminium	
	CLASS RM (1) (2) (3)		lighting	ceiling fan	*			lighting fixture with louver	
	CORRIDOR	**	distribution board for UPS of ICT						
	PC PRACTICAL RM (1) (2)			(lighting / receptacle)	(air conditioner) (ceiling fan)				
	SYSTEM PRACTICAL RM			(lighting / receptacle)	(air conditioner) (ceiling fan)				
	SERVER RM			(lighting / receptacle)	(air conditioner) (ceiling fan)				
	UPS RM			receptacle (lighting)	(air conditioner) (ceiling fan)	*		receptacle x 2	
2F	CLASS RM (1) (2)		(lighting / receptacle)	(air conditioner) (ceiling fan)					
	CONFERENCE RM		(lighting / receptacle)	(air conditioner) (ceiling fan)					
	STAFF RM		(lighting / receptacle)	(air conditioner) (ceiling fan)					
	EXPERT RM (1) (2) (3)		(lighting / receptacle)	(air conditioner) (ceiling fan)					

Machine Foundation Plan

Machine Foundation - 1



NOTE:

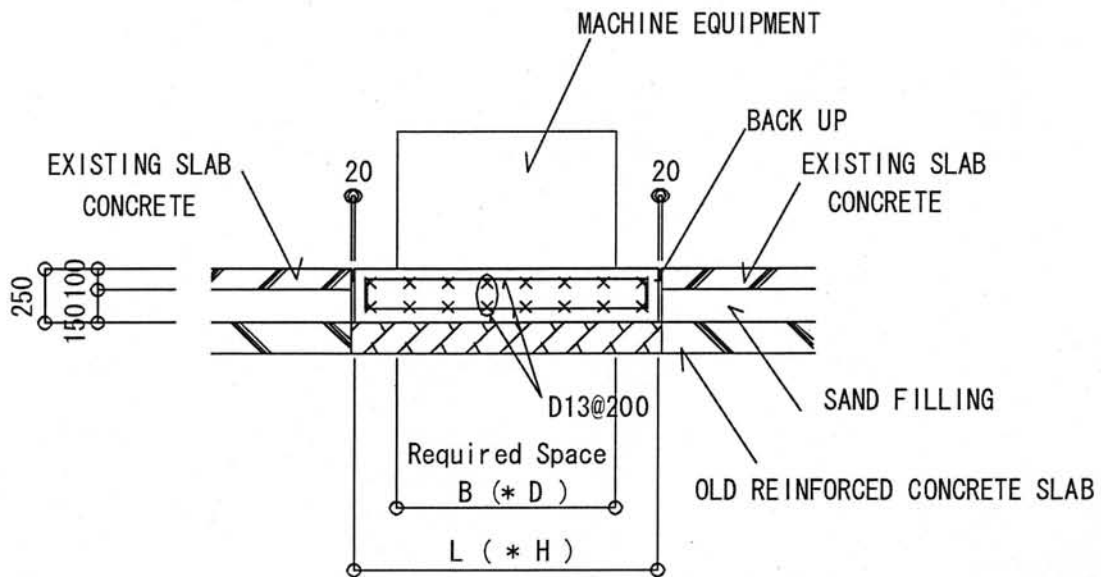
1. B, D . . . Required Space (mm)
 2. L, H . . . Base Foundation (mm)
- $L = B + 200$ 、 $H = D + 200$
 $\text{Min}(L, H) \geq 1,000$

REMARKS:

Foundation is needed for machine in case of unit load
 800 kgf/m² > or necessity of anchor.

Machine Foundation Plan

Machine Foundation - 2



NOTE:

1. B, D . . . Required Space (mm)
 2. L, H . . . Base Foundation (mm)
- $L = B + 200$ 、 $H = D + 200$
 $\text{Min}(L, H) \geq 1,000$

REMARKS:

Machine requires foundation for isolation of vibration against slab.