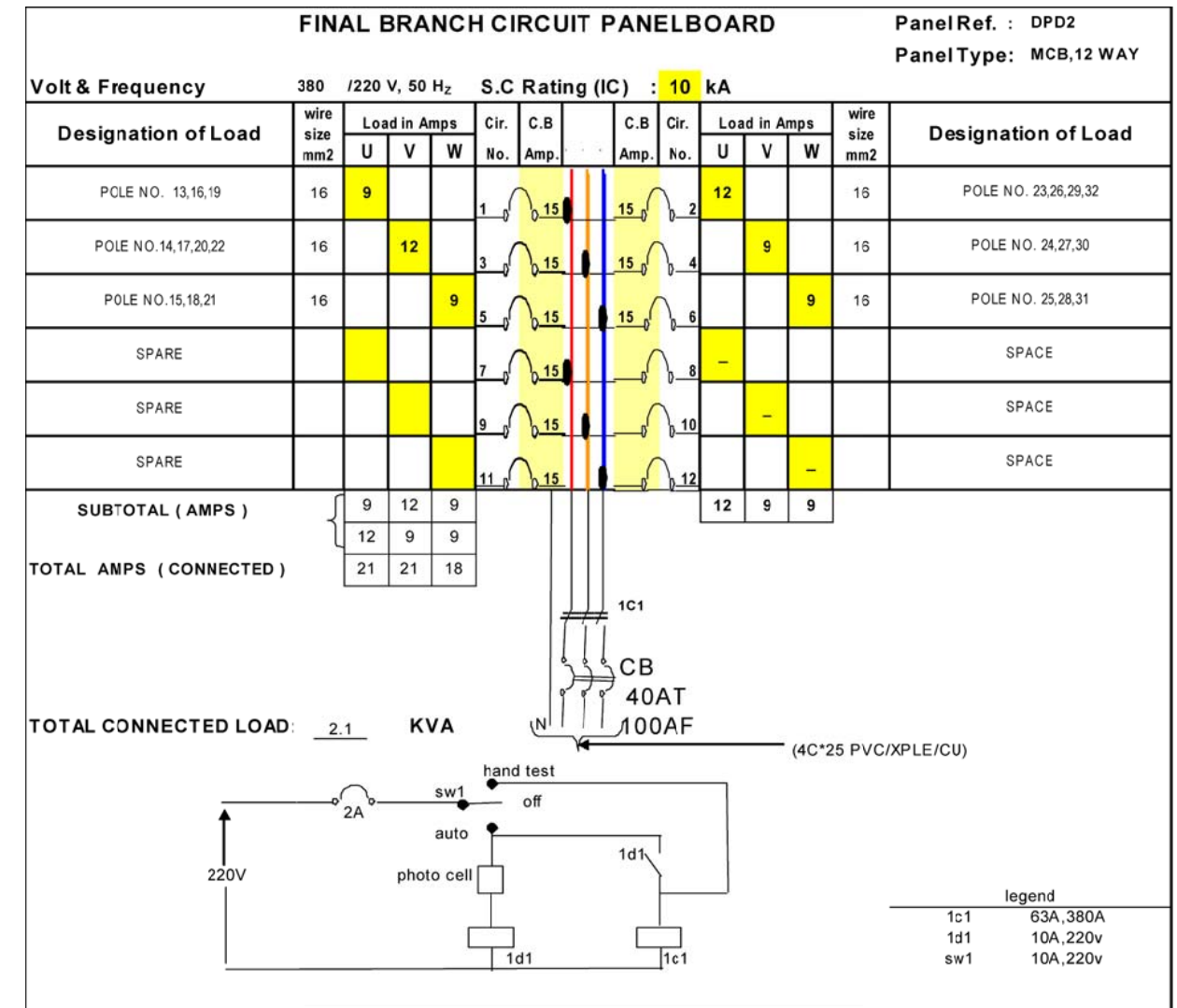
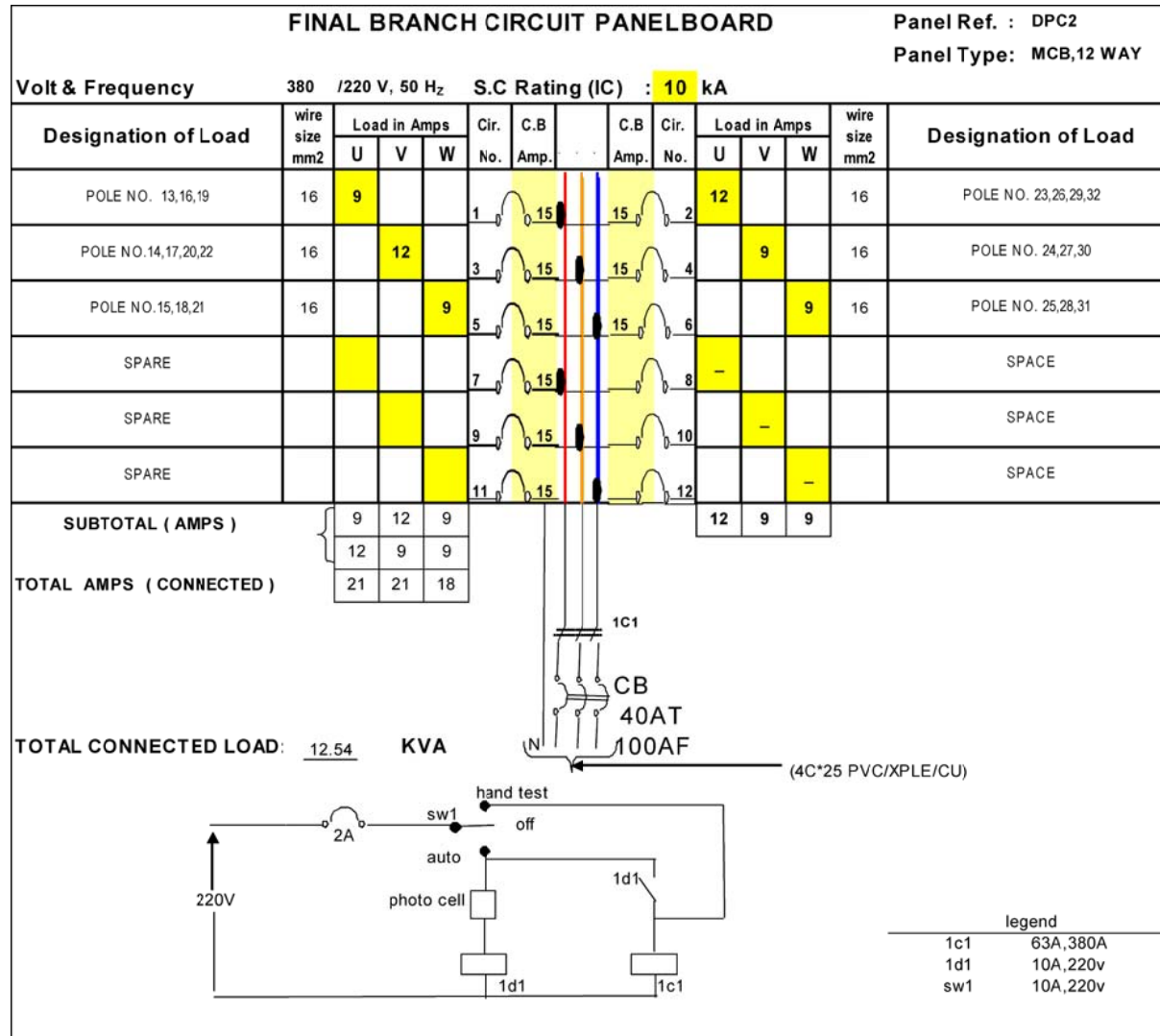


H:\SAMAWAH\JUNE_18_2005\PACKAGE 2\06B F-5 DISTRIBUTION PANEL.DWG (1) Jun 18, 2005 4:49 PM

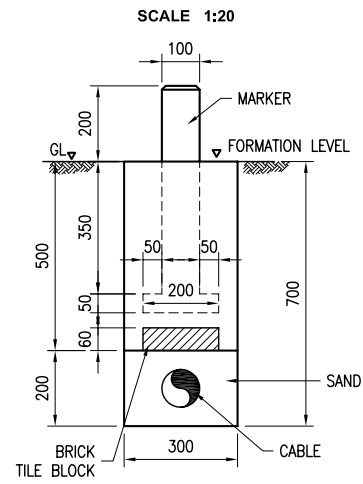


Note:

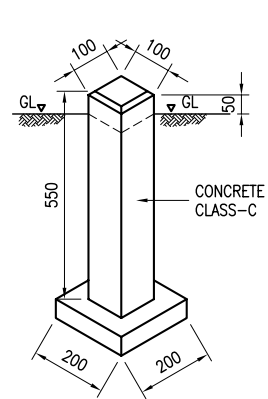
- Lighting Pole No. 14 to 19 are scope of works of other project (Hospital Street Package-1)
- Lighting Pole No.20 to 32 are scope of works of this project (Hospital Street Package-2)

Owner: SAMAWAH MAYORALTY MUTHANNA GOVERNORATE REPUBLIC OF IRAQ	Consultant:	Client :	Project : REHABILITATION AND IMPROVEMENT OF THE ROADS AND ROAD SIDES IN SAMAWAH FOR SAMAWAH PROMENADE DEVELOPMENT PLAN	Drawing No. F-5	Rev:	Drawn by :
			Dwg Title: HOSPITAL STREET (PACKAGE 2) DISTRIBUTION PANELS	Scale	Date:	Checked by:

DIRECT BURIED CABLE DETAIL

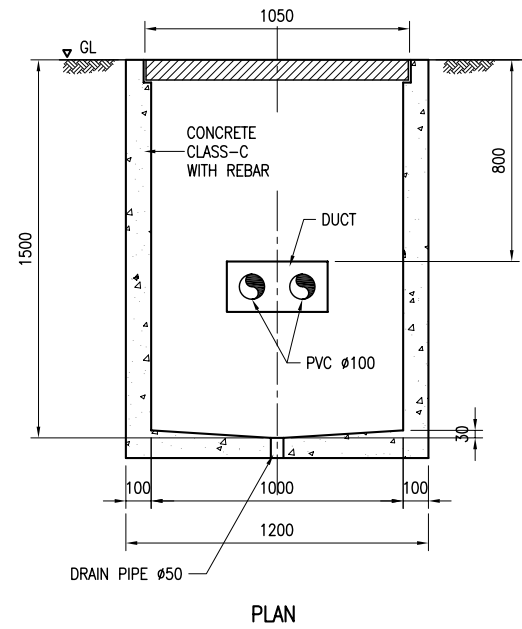


CABLE MARKER

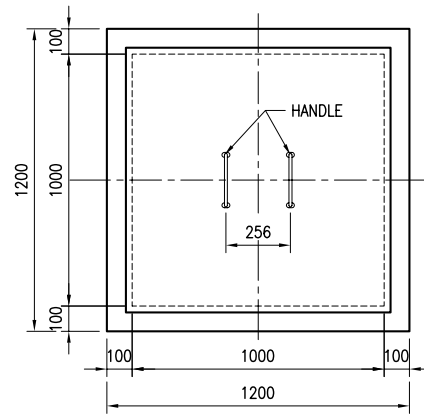


MANHOLE DETAIL

SCALE 1:30
SECTION

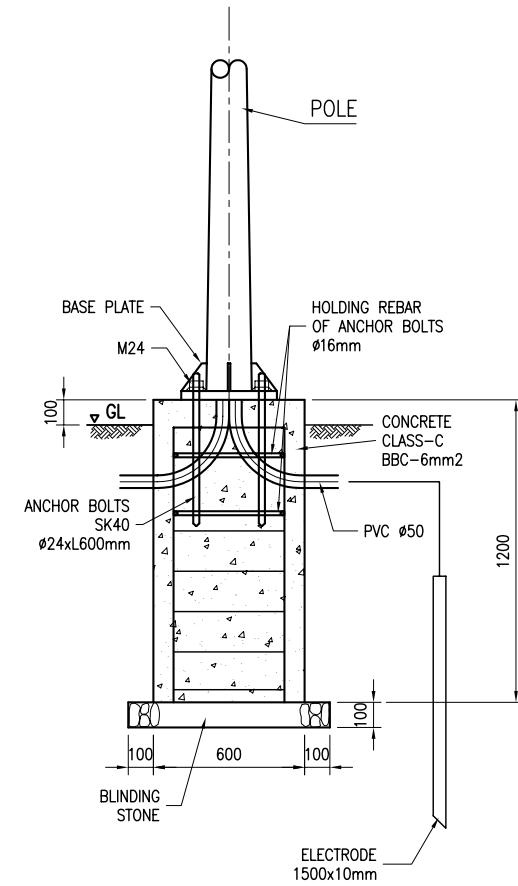


PLAN



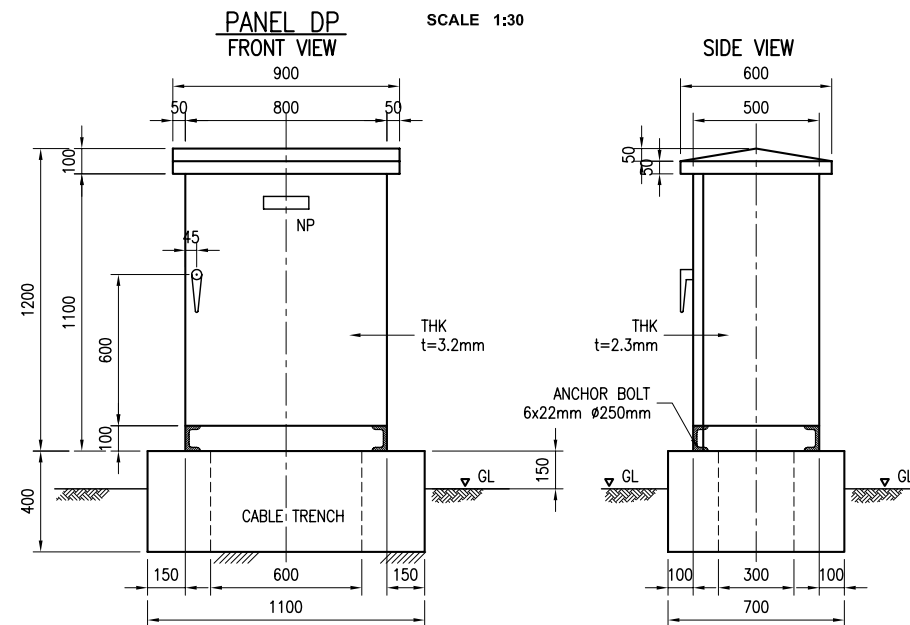
DETAIL OF POLE FOUNDATION

SCALE 1:30



PANEL DETAIL

SCALE 1:30



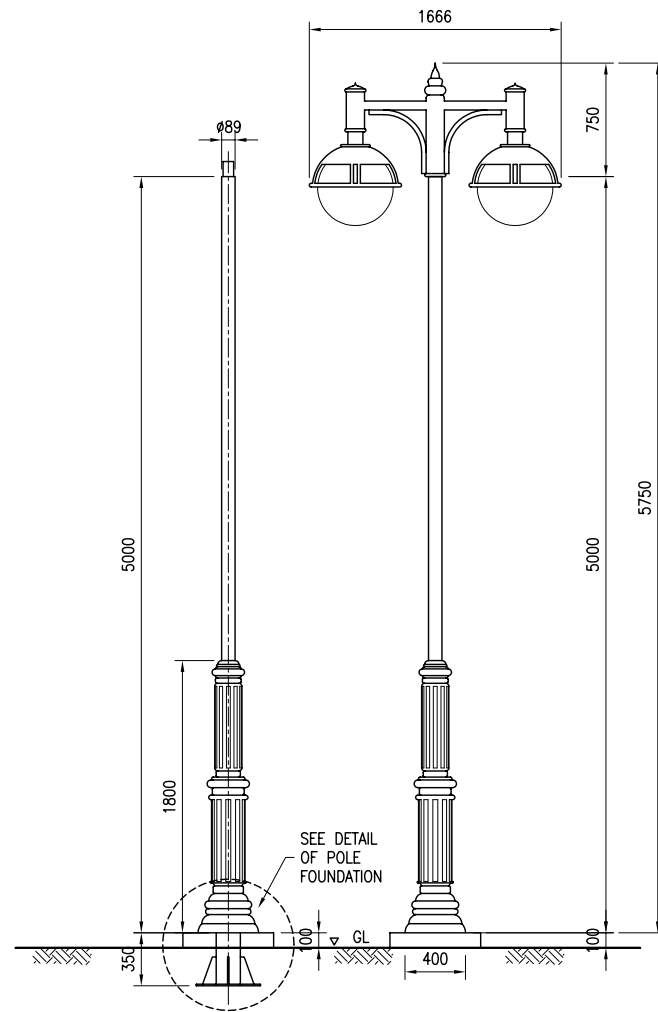
H:\SAMAWAH\JUNE 16, 2005\PACKAGE 2\10671 F-6 MANHOLE FOUNDATION ETC FOR STREET LIGHTING.DWG F-4 Jun 18, 2005 4:52 PM

Owner: SAMAWAH MAYORALTY MUTHANNA GOVERNORATE REPUBLIC OF IRAQ	Consultant:	Client :	Project : REHABILITATION AND IMPROVEMENT OF THE ROADS AND ROAD SIDES IN SAMAWAH FOR SAMAWAH PROMENADE DEVELOPMENT PLAN	Drawing No. F-6	Rev:	Drawn by :
			Dwg Title: HOSPITAL STREET (PACKAGE 2) MANHOLE, FOUNDATION, DISTRIBUTION BOARD DETAILS FOR STREET LIGHTING	Scale AS SHOWN	Date:	Checked by:

LIGHTING POLES DETAILS

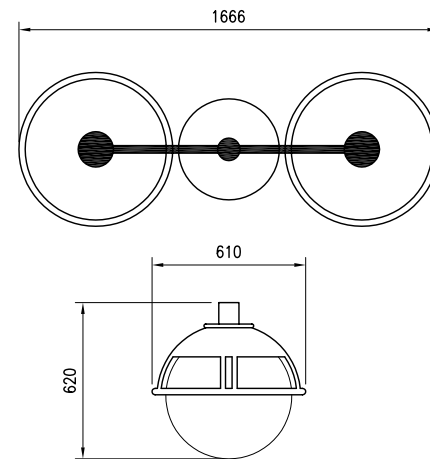
LIGHTING TYPE-C

SCALE 1:50



(LAMP DETAIL)




SCALE 1:25



H:\SAMAWAH\JUNE 16, 2015\PACKAGE 2\10601 F-7 LIGHTING POLE DETAILS.DWG Plot: Jun 16, 2015 4:53 PM

Owner: SAMAWAH MAYORALTY MUTHANNA GOVERNORATE REPUBLIC OF IRAQ	Consultant:	Client :	Project : REHABILITATION AND IMPROVEMENT OF THE ROADS AND ROAD SIDES IN SAMAWAH FOR SAMAWAH PROMENADE DEVELOPMENT PLAN	Drawing No. F-7	Rev:	Drawn by :
			Dwg Title: HOSPITAL STREET (PACKAGE 2) LIGHTING POLES DETAILS	Scale AS SHOWN	Date:	Checked by:

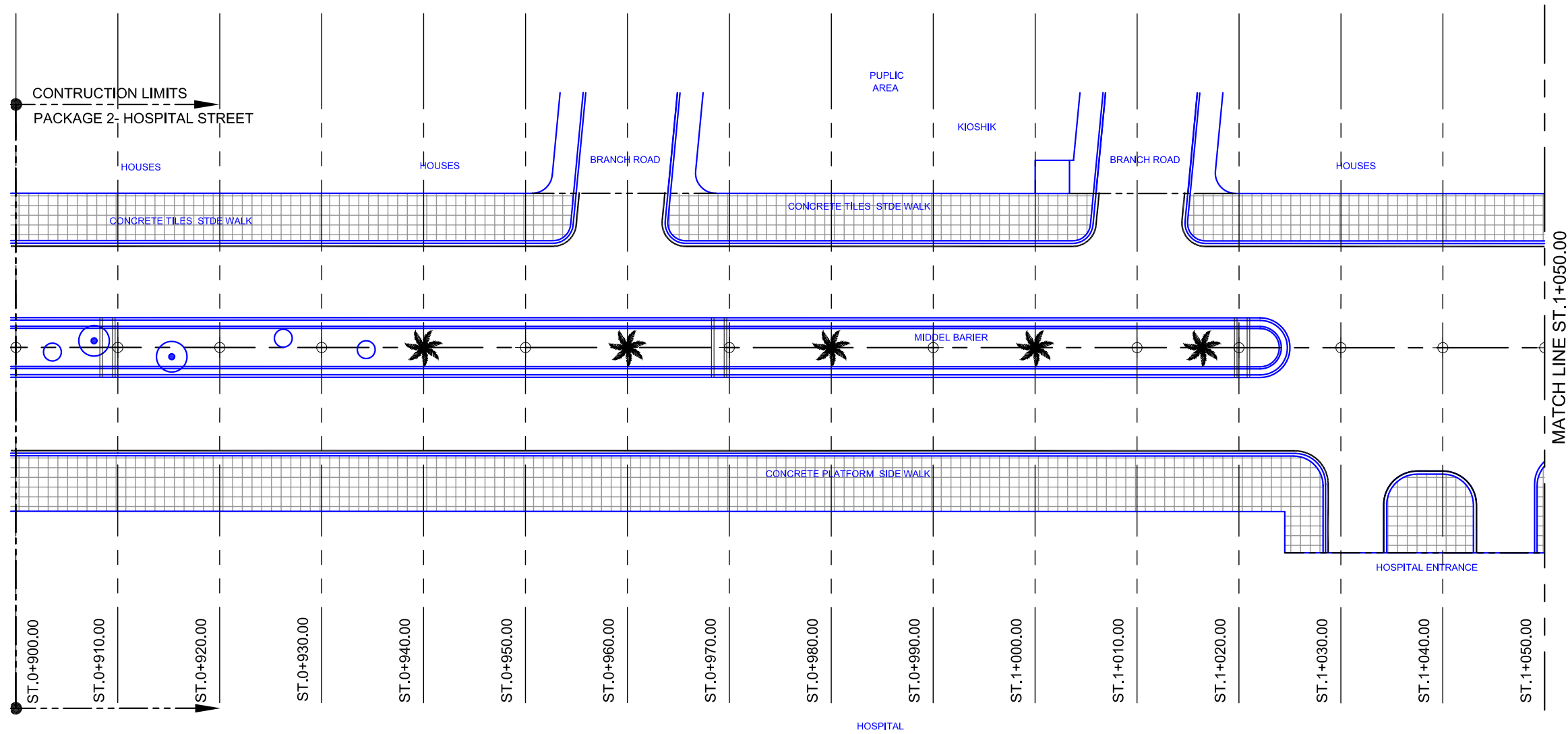
LEGEND

	EXISTING BIG TREE
	EXISTING SMALL TREE
	DATE PALM PLANTING TOTAL NUMBER: 20



CONCRETE TILES PAVEMENT




NOTE: BIG TREES TO BE TRIMMED AS PER ENGINEER INSTRUCTION ON SITE

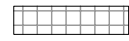


NOTE:
ALL THE EXISTING LAYOUTS ARE IN BLUE

Owner: SAMAWAH MAYORALTY MUTHANNA GOVERNORATE REPUBLIC OF IRAQ	Consultant:	Client :	Project : REHABILITATION AND IMPROVEMENT OF THE ROADS AND ROAD SIDES IN SAMAWAH FOR SAMAWAH PROMENADE DEVELOPMENT PLAN	Drawing No. G-1	Rev:	Drawn by :
			Dwg Title: HOSPITAL STREET (PACKAGE 2) SIDEWALK, PLANTING AND BENCH LAYOUT (1-4)	Scale AS SHOWN	Date:	Checked by:

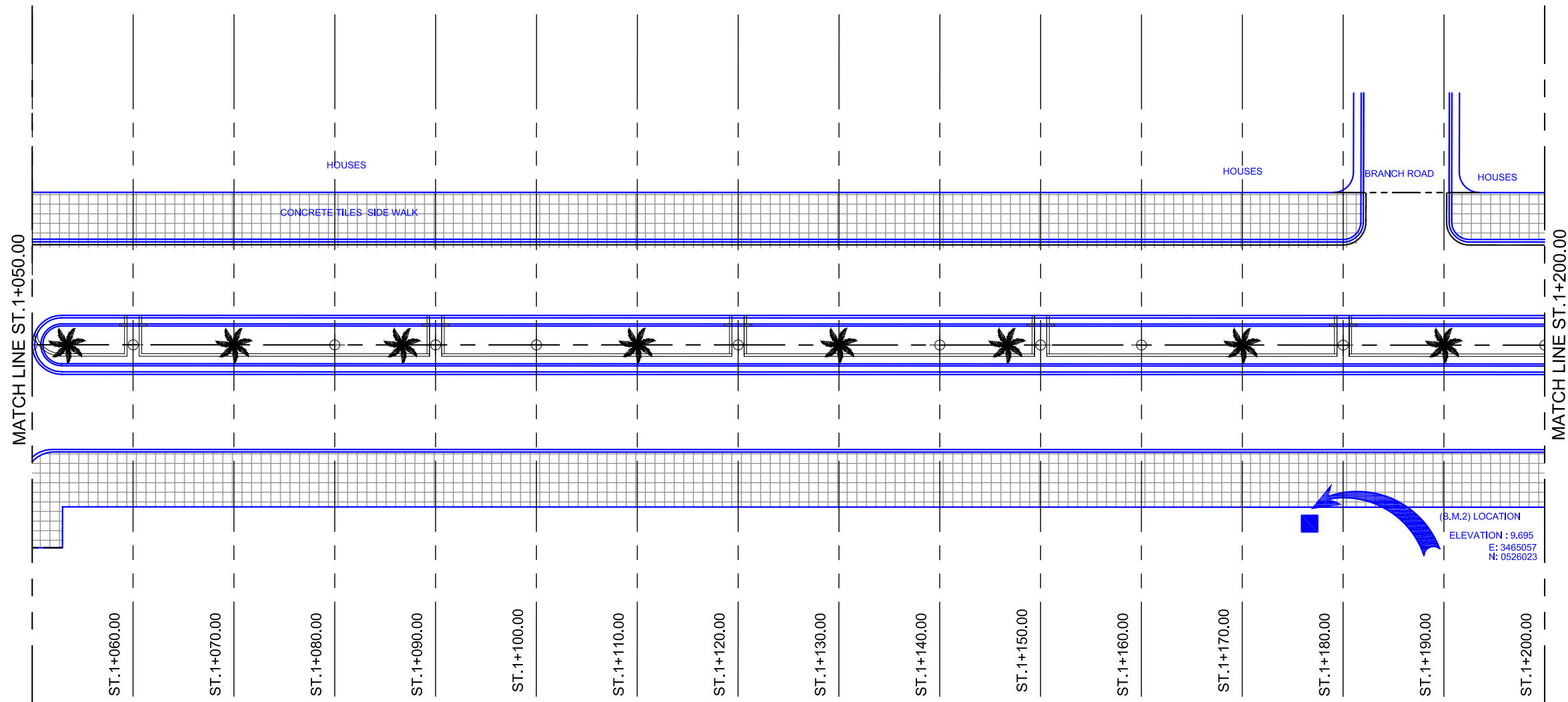
LEGEND

	EXISTING BIG TREE
	EXISTING SMALL TREE
	DATE PALM PLANTING TOTAL NUMBER: 20



CONCRETE TILES PAVEMENT




NOTE: BIG TREES TO BE TRIMMED AS PER ENGINEER INSTRUCTION ON SITE

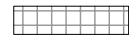


NOTE:
ALL THE EXISTING LAYOUTS ARE IN BLUE

Owner: SAMAWAH MAYORALTY MUTHANNA GOVERNORATE REPUBLIC OF IRAQ	Consultant:	Client :	Project : REHABILITATION AND IMPROVEMENT OF THE ROADS AND ROAD SIDES IN SAMAWAH FOR SAMAWAH PROMENADE DEVELOPMENT PLAN	Drawing No. G-2	Rev:	Drawn by :
			Dwg Title: HOSPITAL STREET (PACKAGE 2) SIDEWALK, PLANTING AND BENCH LAYOUT (2-4)	Scale AS SHOWN	Date:	Checked by:

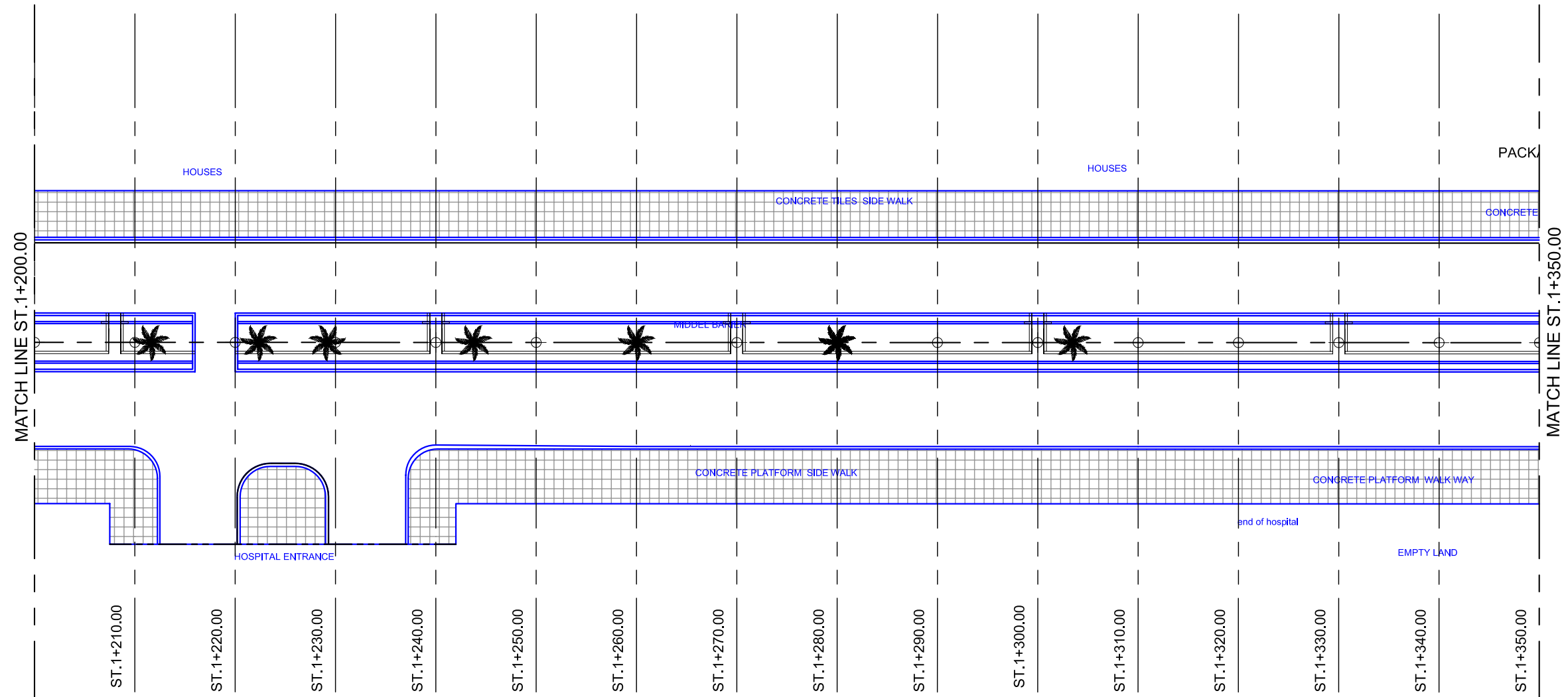
LEGEND

	EXISTING BIG TREE
	EXISTING SMALL TREE
	DATE PALM PLANTING TOTAL NUMBER: 20



CONCRETE TILES PAVEMENT




NOTE: BIG TREES TO BE TRIMMED AS PER ENGINEER INSTRUCTION ON SITE



NOTE:
ALL THE EXISTING LAYOUTS ARE IN BLUE

Owner: SAMAWAH MAYORALTY MUTHANNA GOVERNORATE REPUBLIC OF IRAQ	Consultant:	Client :	Project : REHABILITATION AND IMPROVEMENT OF THE ROADS AND ROAD SIDES IN SAMAWAH FOR SAMAWAH PROMENADE DEVELOPMENT PLAN	Drawing No. G-3	Rev:	Drawn by :
			Dwg Title: HOSPITAL STREET (PACKAGE 2) SIDEWALK, PLANTING AND BENCH LAYOUT (3-4)	Scale AS SHOWN	Date:	Checked by:

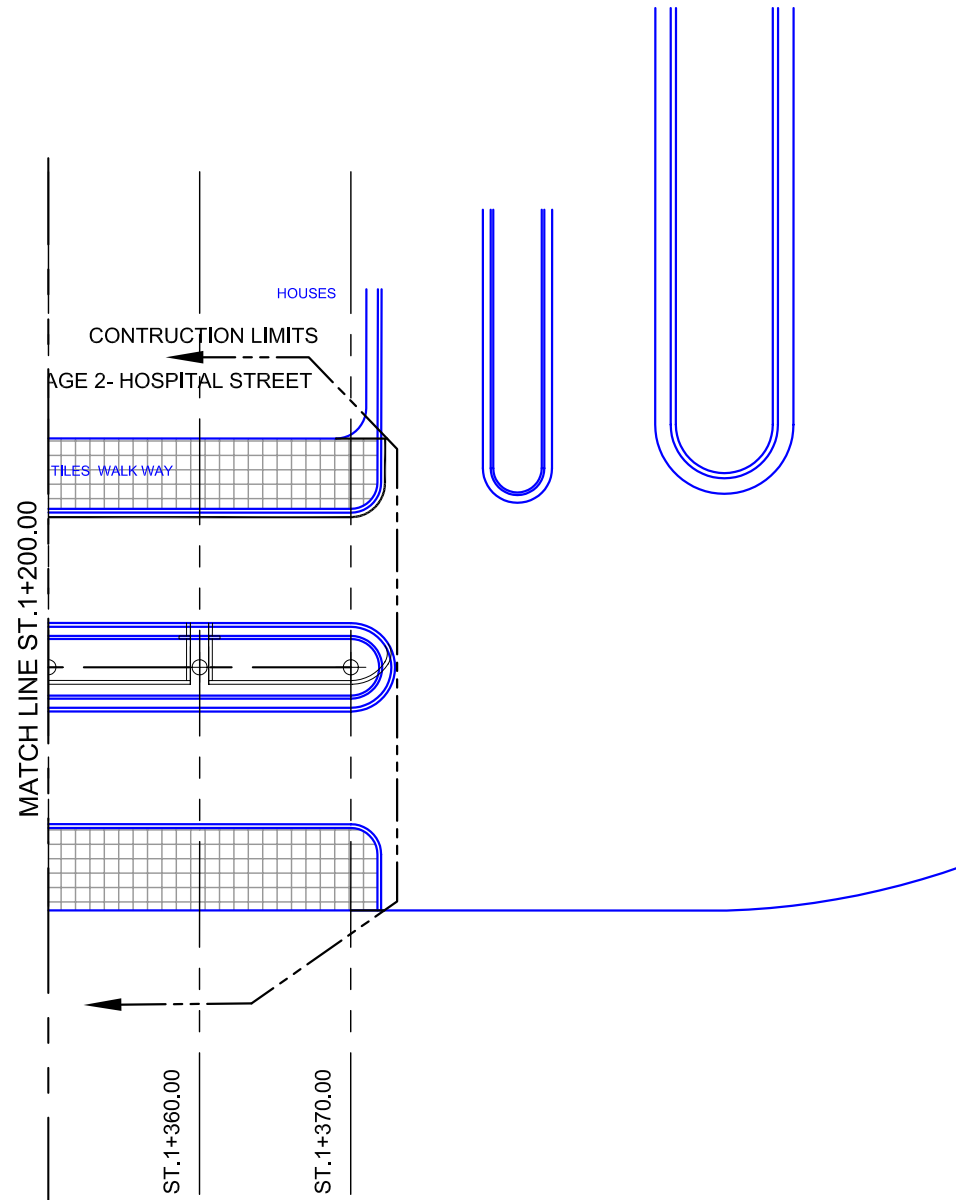
LEGEND

	EXISTING BIG TREE
	EXISTING SMALL TREE
	DATE PALM PLANTING TOTAL NUMBER: 20



CONCRETE TILES PAVEMENT

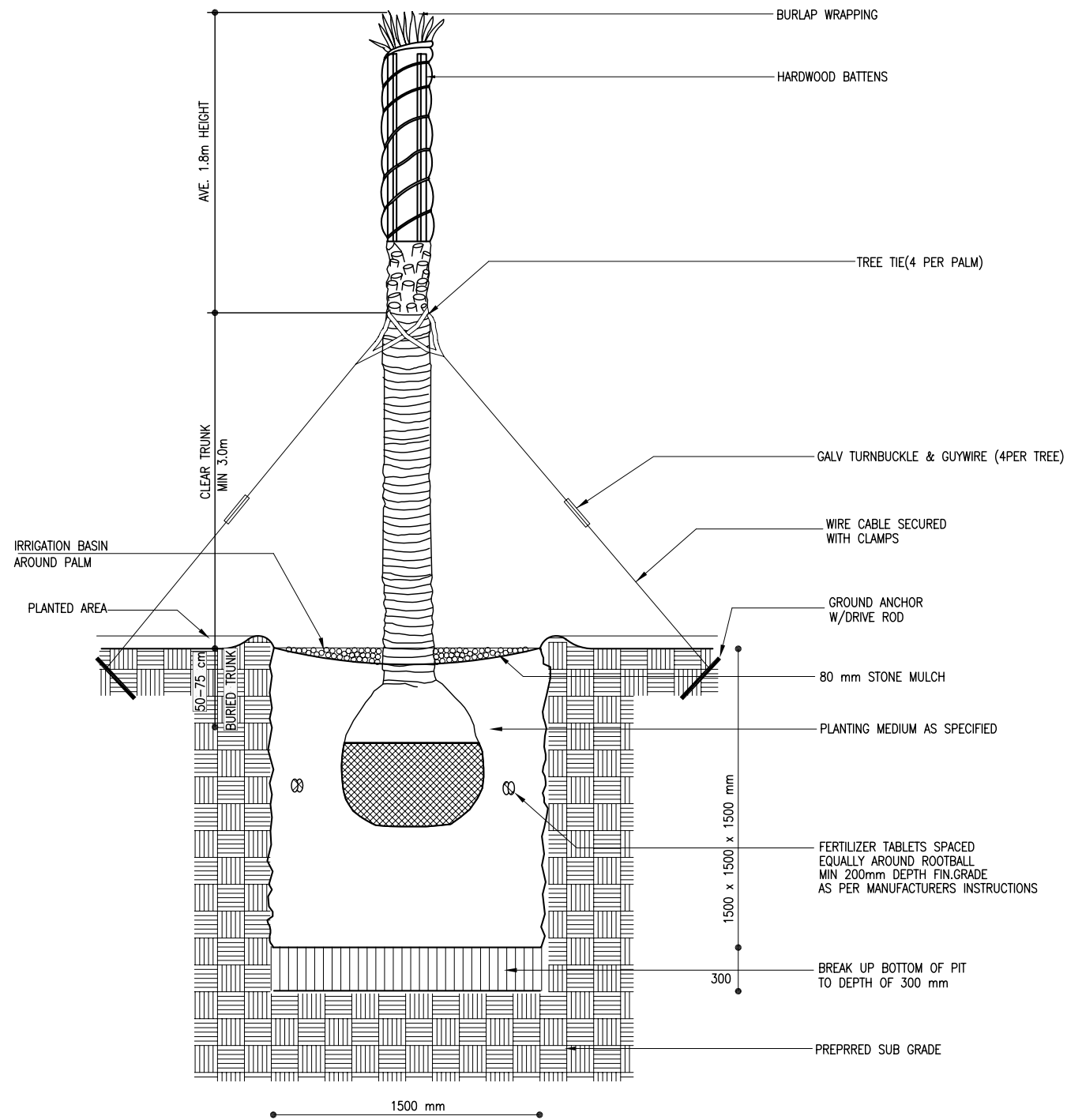
NOTE: BIG TREES TO BE TRIMMED AS PER ENGINEER INSTRUCTION ON SITE



NOTE:
ALL THE EXISTING LAYOUTS ARE IN BLUE

Owner: SAMAWAH MAYORALTY MUTHANNA GOVERNORATE REPUBLIC OF IRAQ	Consultant:	Client :	Project : REHABILITATION AND IMPROVEMENT OF THE ROADS AND ROAD SIDES IN SAMAWAH FOR SAMAWAH PROMENADE DEVELOPMENT PLAN	Drawing No. G-4	Rev:	Drawn by :
			Dwg Title: HOSPITAL STREET (PACKAGE 2) SIDEWALK, PLANTING AND BENCH LAYOUT (4-4)	Scale AS SHOWN	Date:	Checked by:

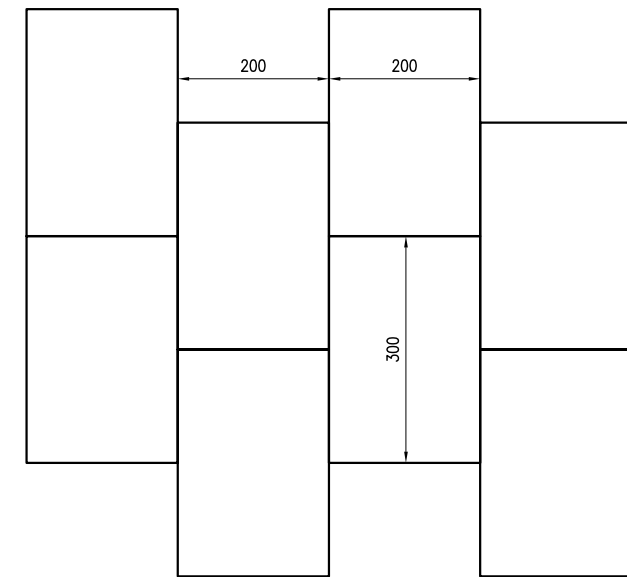
H:\SAMAWAH\JUNE 18, 2005\PACKAGE 2\107B) G-5 PLANTING AND PAVEMENT.DWG G-5 Jun 18, 2005-4:55 PM



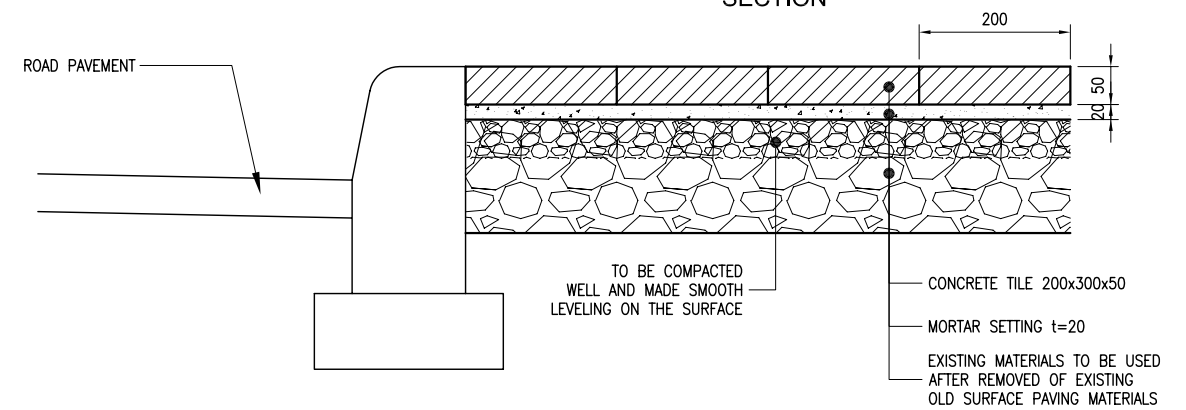
PALM PLANTING AND BRACING

CONCRETE TILE PAVING

PLAN
SCALE 1:10



SECTION



Owner: SAMAWAH MAYORALTY MUTHANNA GOVERNORATE REPUBLIC OF IRAQ	Consultant:	Client :	Project : REHABILITATION AND IMPROVEMENT OF THE ROADS AND ROAD SIDES IN SAMAWAH FOR SAMAWAH PROMENADE DEVELOPMENT PLAN	Drawing No. G-5	Rev:	Drawn by : B.H.
			Dwg Title: HOSPITAL STREET (PACKAGE 2) PLANTING AND PAVEMENT DETAILS	Scale AS SHOWN	Date: 16-05-05	Checked by: M.J.