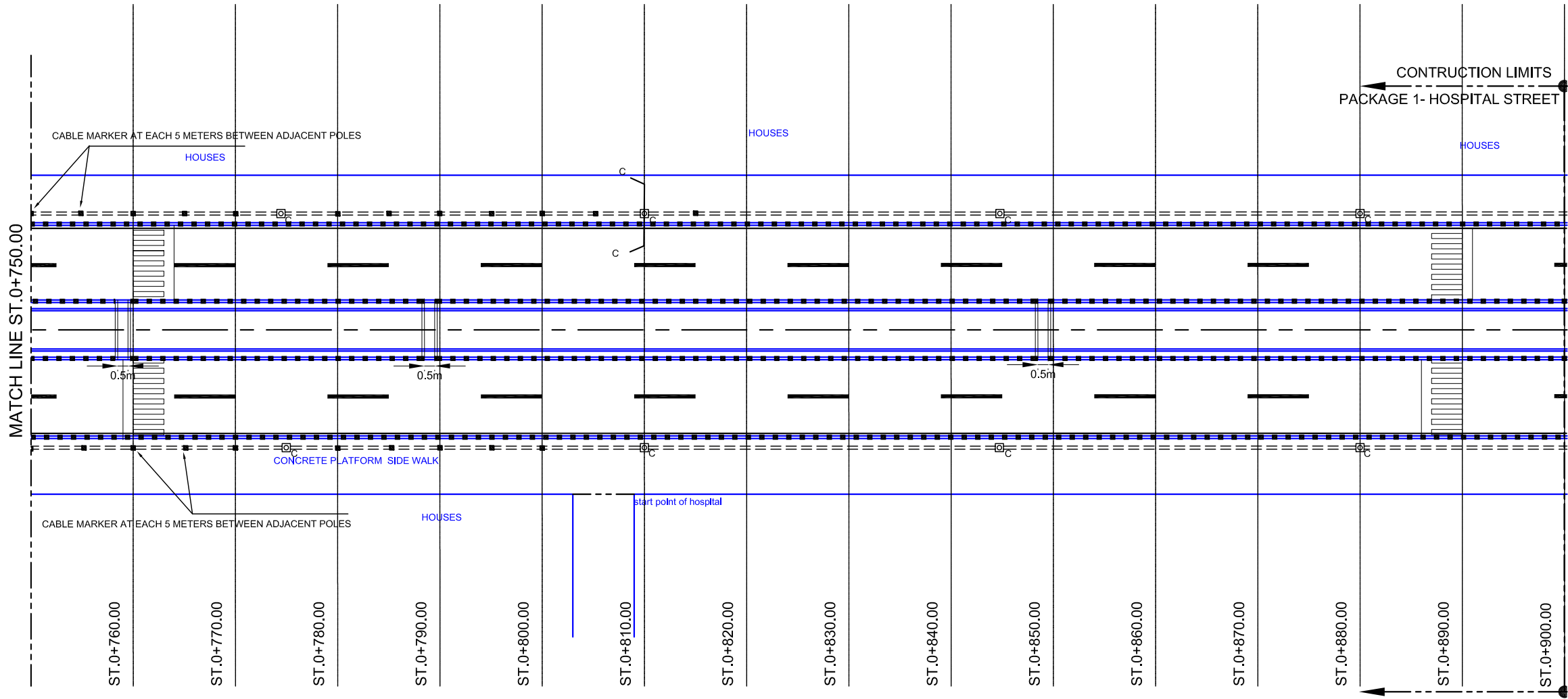


	LIGHTING TYPE-A
	LIGHTING TYPE-C
	MANHOLE
	DISTRIBUTION PANEL
	CONDUIT EXPOSED
	DUCT
	CABLE TRENCH
	CABLE MARKER

H:\SAMAWAH\JUNE\_18\_2005\PACKAGE\_1\066A\F STREET LIGHTING PLAN.DWG (S) Jun 18, 2005-2:49 PM

<b>Owner:</b> SAMAWAH MAYORALTY MUTHANNA GOVERNORATE REPUBLIC OF IRAQ	<b>Consultant:</b>	<b>Client :</b>	<b>Project :</b> REHABILITATION AND IMPROVEMENT OF THE ROADS AND ROAD SIDES IN SAMAWAH FOR SAMAWAH PROMENADE DEVELOPMENT PLAN	<b>Drawing No.</b> F-5	<b>Rev:</b>	<b>Drawn by :</b>
			<b>Dwg Title:</b> HOSPITAL STREET (PACKAGE 1) STREET LIGHTING LAYOUT (5-6)	<b>Scale</b> AS SHOWN	<b>Date:</b>	<b>Checked by:</b>



	LIGHTING TYPE-A
	LIGHTING TYPE-C
	MANHOLE
	DISTRIBUTION PANEL
	CONDUIT EXPOSED
	DUCT
	CABLE TRENCH
	CABLE MARKER

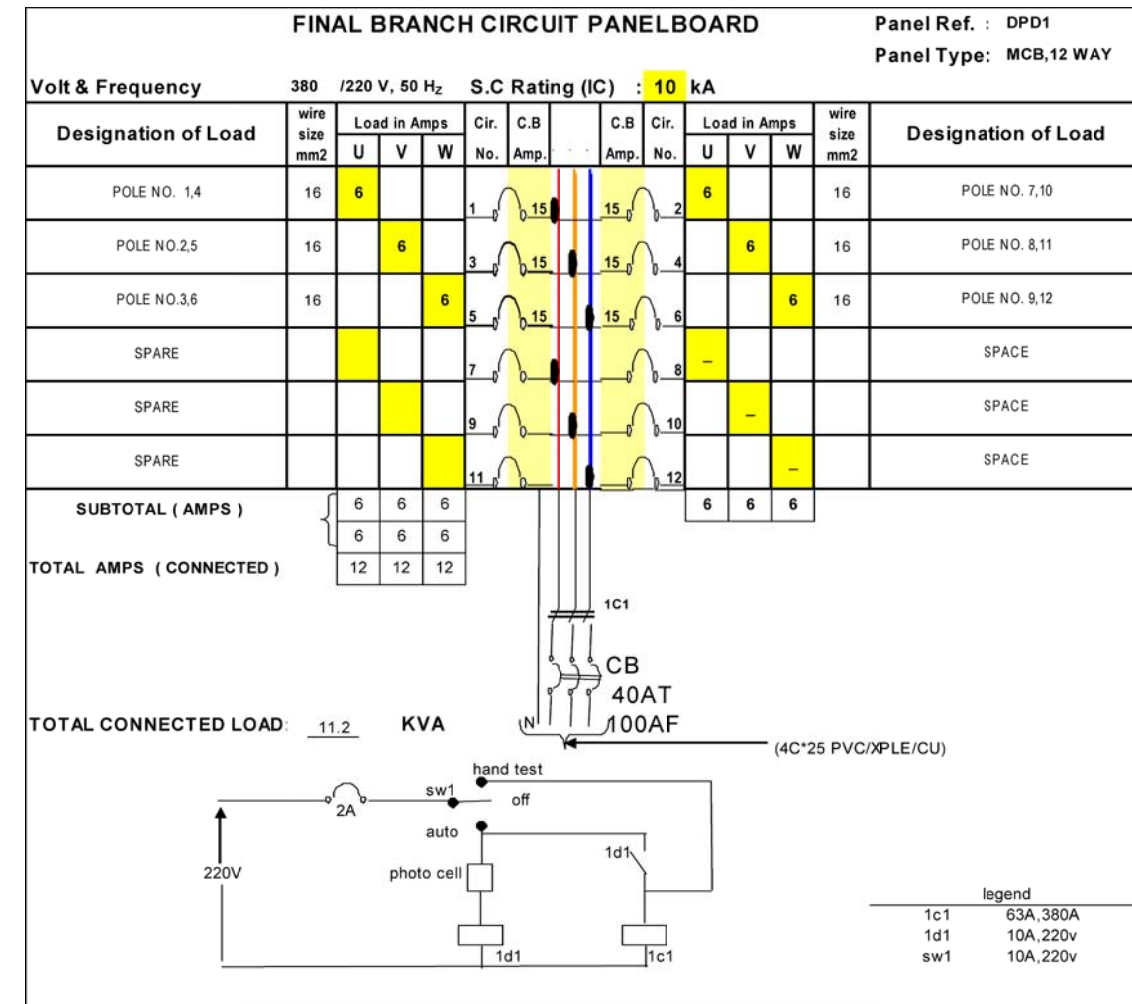
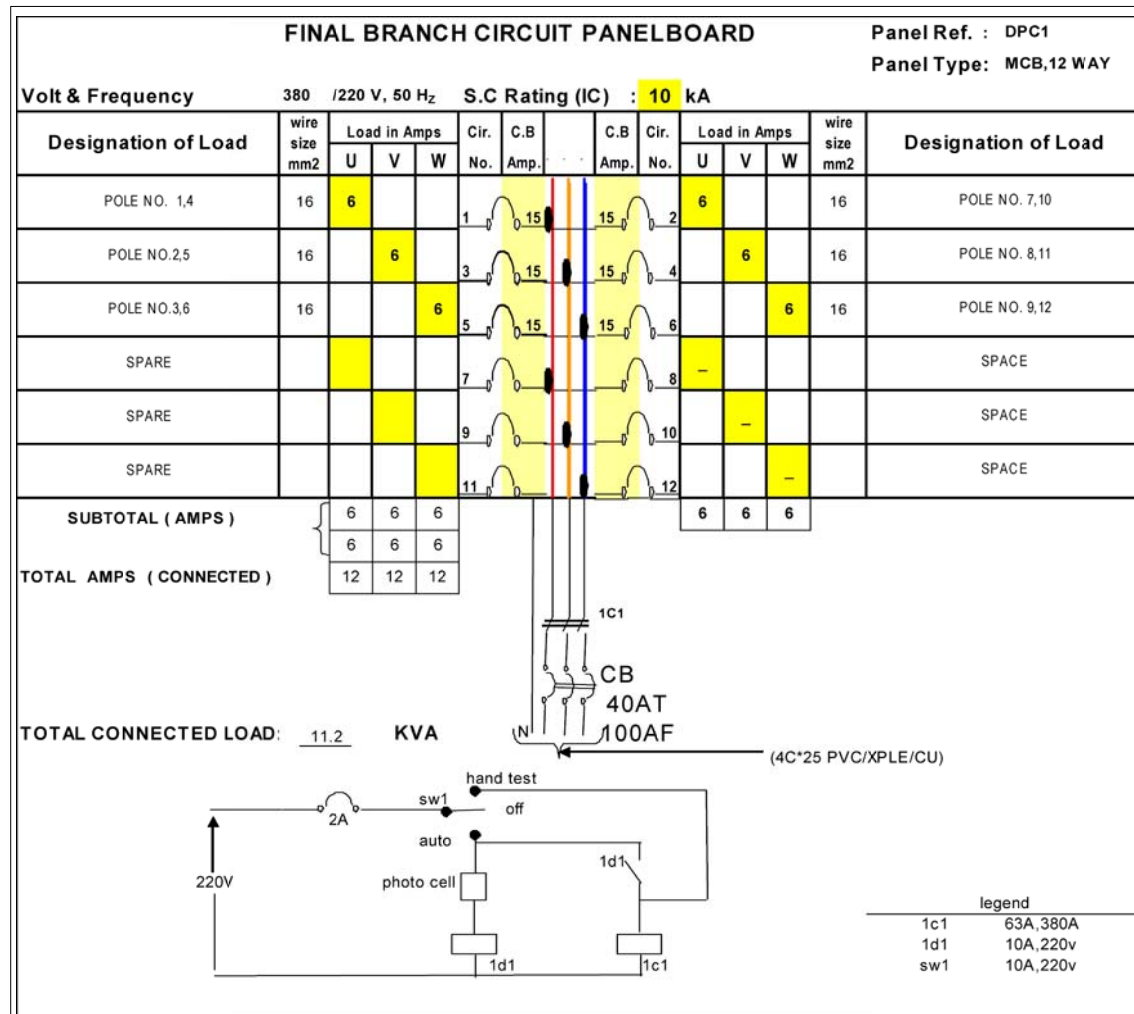
**NOTE:**

Cabling with connection work in DPD2 and DPC2 shall be included. (Approx. Length 130m)  
 Piping from ST.0+900 to ST.0+950 (manhole at ST.0+950) and to ST.1+025(DPC2 at ST.1+025) shall be included to this project.

H:\SAMAWAH\JUNE\_18\_2005\06A) F STREET LIGHTING PLAN (PACK 1).DWG (6) Jun 20, 2005-10:57 AM

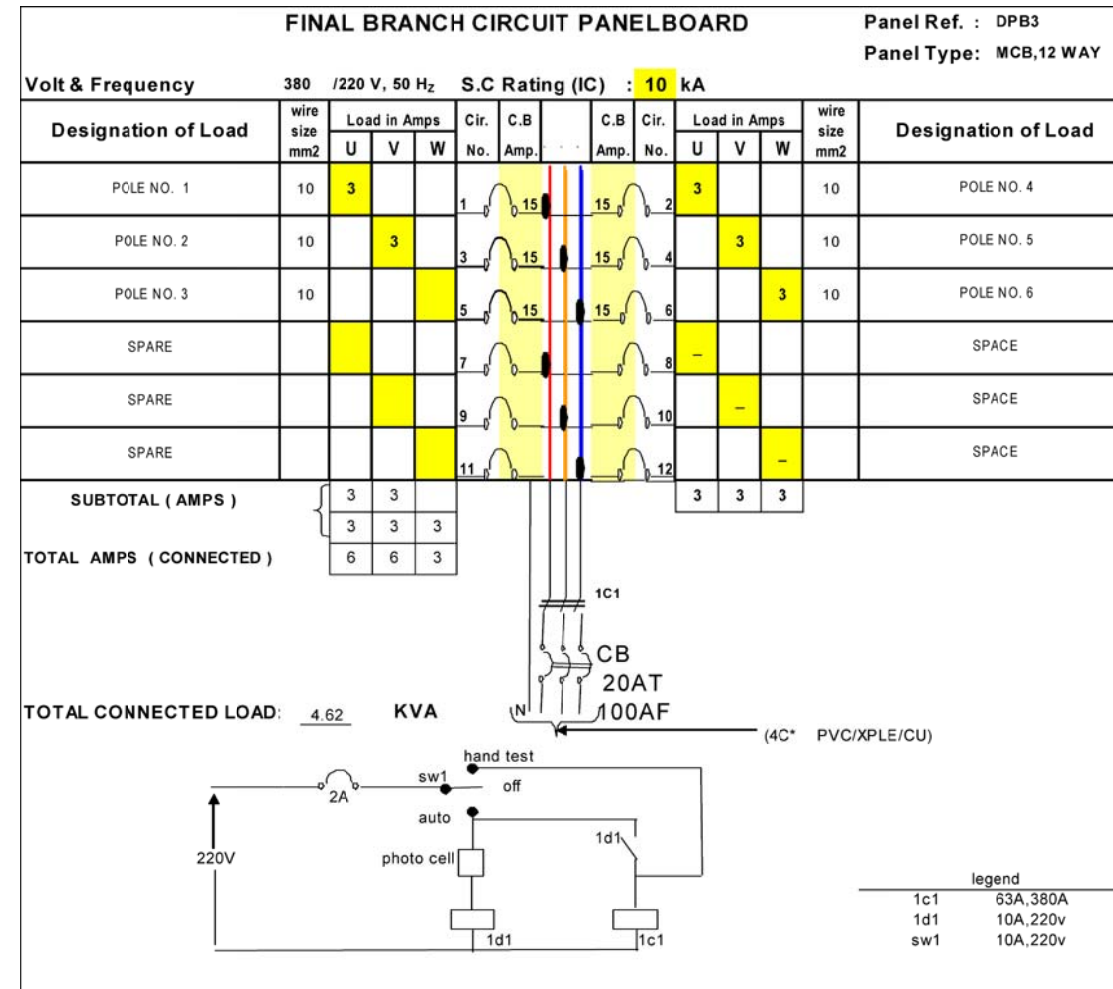
<b>Owner:</b> SAMAWAH MAYORALTY MUTHANNA GOVERNORATE REPUBLIC OF IRAQ	<b>Consultant:</b>	<b>Client :</b>	<b>Project :</b> REHABILITATION AND IMPROVEMENT OF THE ROADS AND ROAD SIDES IN SAMAWAH FOR SAMAWAH PROMENADE DEVELOPMENT PLAN	<b>Drawing No.</b> F-6	<b>Rev:</b>	<b>Drawn by :</b>
			<b>Dwg Title:</b> HOSPITAL STREET (PACKAGE 1) STREET LIGHTING LAYOUT (6-6)	<b>Scale</b> AS SHOWN	<b>Date:</b>	<b>Checked by:</b>

H:\SAMAWAH\JUNE 18, 2005\PACKAGE 1\06B\ DISTRIBUTION PANELS.DWG (1) Jun 18, 2005-3:15 PM



Owner:	SAMAWAH MAYORALTY MUTHANNA GOVERNORATE REPUBLIC OF IRAQ	Consultant:	Client :	Project :	REHABILITATION AND IMPROVEMENT OF THE ROADS AND ROAD SIDES IN SAMAWAH FOR SAMAWAH PROMENADE DEVELOPMENT PLAN	Drawing No.	F-7	Rev:	Date:	Drawn by :	Checked by:
				Dwg Title:	HOSPITAL STREET (PACKAGE 1) DISTRIBUTION PANELS	Scale					

H:\SAMAWAH\JUNE 18, 2005\PACKAGE 1\06B.DISTRIBUTION PANELS.DWG (2) Jun 18, 2005-3:14 PM



**Owner:**  
SAMAWAH MAYORALTY  
MUTHANNA GOVERNORATE  
REPUBLIC OF IRAQ

**Consultant:**

**Client :**

**Project :** REHABILITATION AND IMPROVEMENT OF THE ROADS AND ROAD SIDES IN SAMAWAH FOR SAMAWAH PROMENADE DEVELOPMENT PLAN

**Dwg Title:** HOSPITAL STREET (PACKAGE 1) DISTRIBUTION PANELS

**Drawing No.**  
F-8

**Scale**

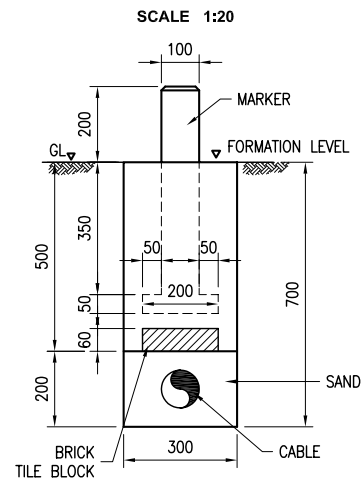
**Rev:**

**Date:**

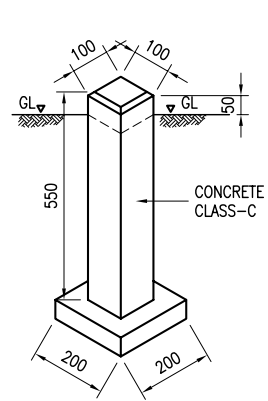
**Drawn by :**

**Checked by:**

### DIRECT BURIED CABLE DETAIL

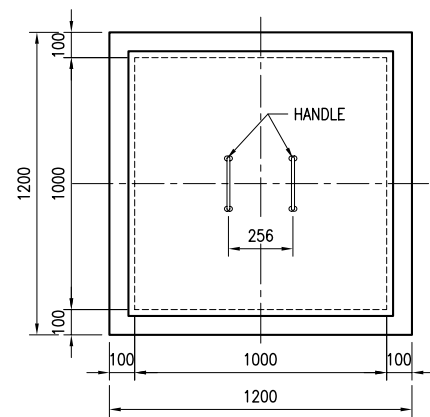
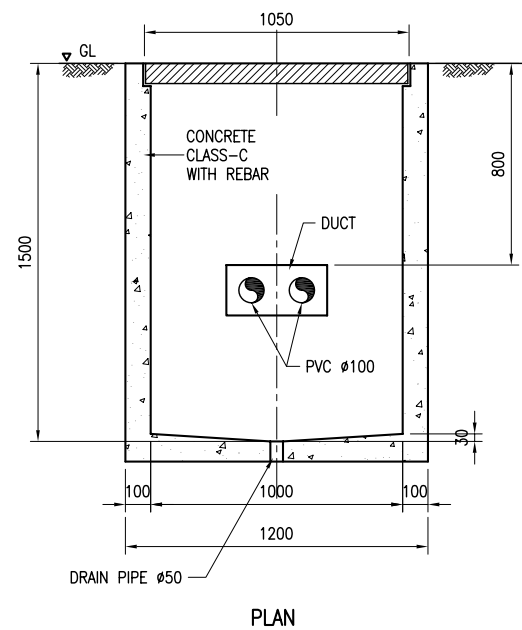


### CABLE MARKER



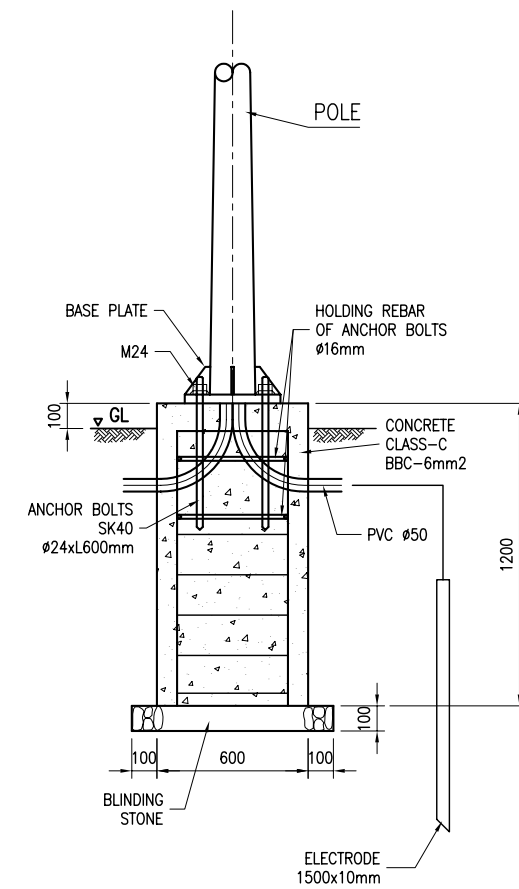
### MANHOLE DETAIL

SCALE 1:30  
SECTION



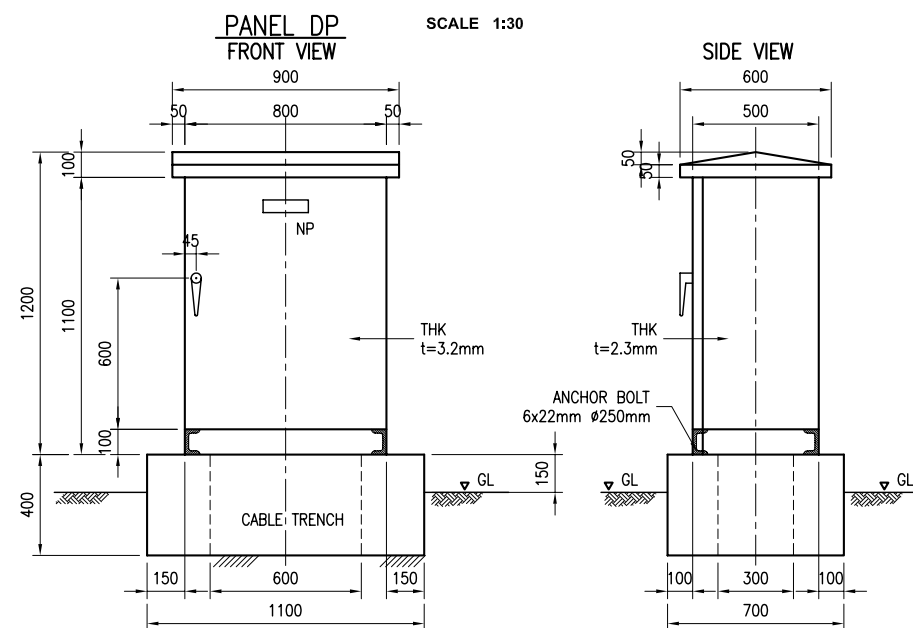
### DETAIL OF POLE FOUNDATION

SCALE 1:30



### PANEL DETAIL

SCALE 1:30



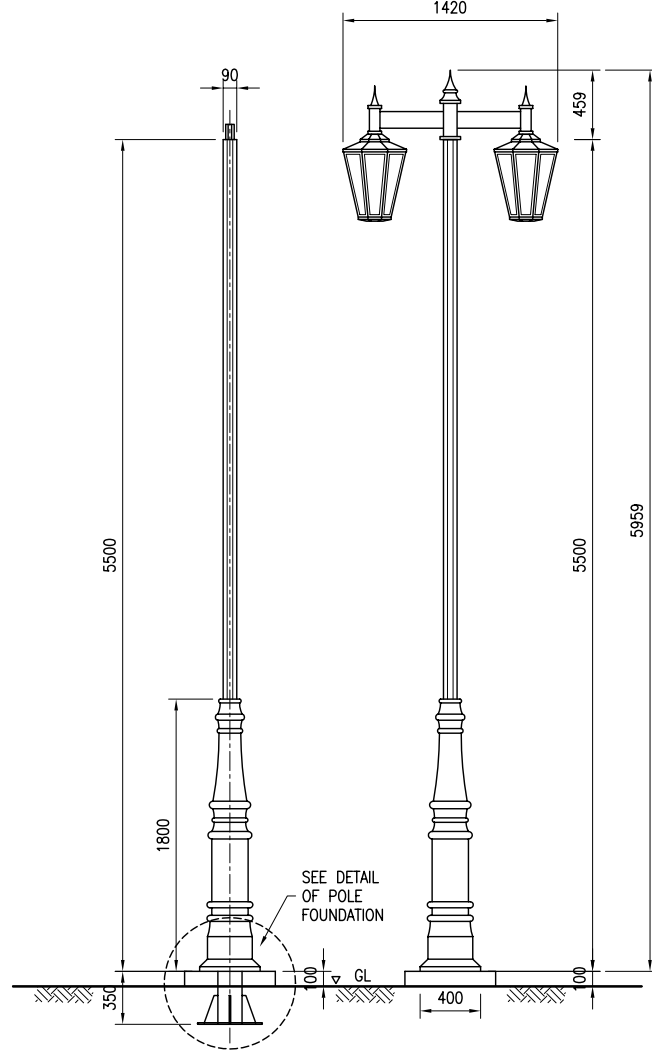
H:\SAMAWAH\JUNE 16, 2005\PACKAGE 1\B01 F-10 MANHOLE FOUNDATION ETC FOR STREET LIGHTING.DWG F-14 JUN 16 2005 2:27 PM

Owner: SAMAWAH MAYORALTY MUTHANNA GOVERNORATE REPUBLIC OF IRAQ	Consultant:	Client :	Project :	Drawing No.	Rev:	Drawn by :
			Dwg Title:	F-9	Date:	Checked by:
			REHABILITATION AND IMPROVEMENT OF THE ROADS AND ROAD SIDES IN SAMAWAH FOR SAMAWAH PROMENADE DEVELOPMENT PLAN	AS SHOWN		
			HOSPITAL STREET (PACKAGE 1) MANHOLE, FOUNDATION, DISTRIBUTION BOARD DETAILS FOR STREET LIGHTING			

# LIGHTING POLES DETAILS

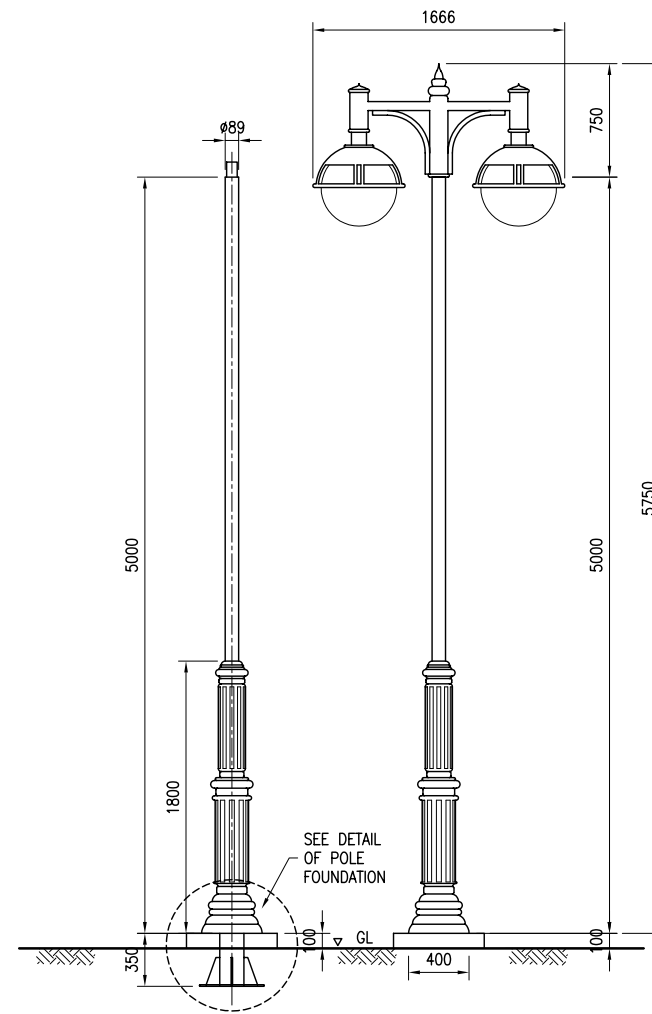
LIGHTING TYPE-A

SCALE 1:50



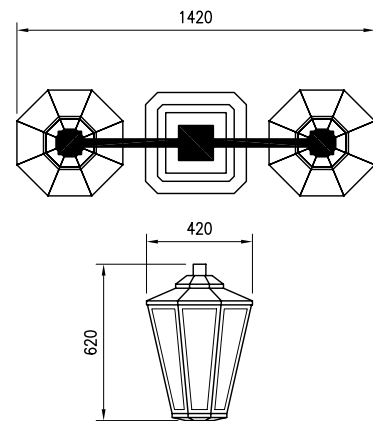
LIGHTING TYPE-C

SCALE 1:50



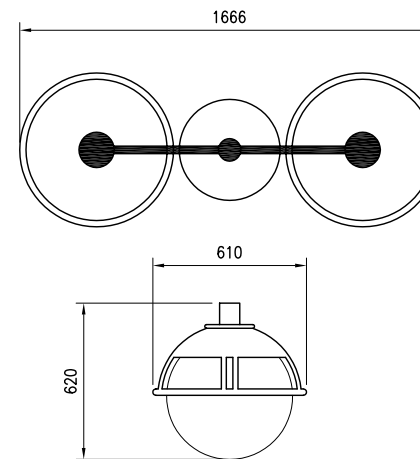
LIGHTING TYPE-A  
(LAMP DETAIL)

SCALE 1:25



(LAMP DETAIL)




SCALE 1:25



H:\SAMAWAH\JUNE 16, 2005\PACKAGE 1\0801 F-11 LIGHTING POLE DETAILS.DWG.plt Jun 18, 2005-2:28 PM

<b>Owner:</b> SAMAWAH MAYORALTY MUTHANNA GOVERNORATE REPUBLIC OF IRAQ	<b>Consultant:</b>	<b>Client :</b>	<b>Project :</b> REHABILITATION AND IMPROVEMENT OF THE ROADS AND ROAD SIDES IN SAMAWAH FOR SAMAWAH PROMENADE DEVELOPMENT PLAN	<b>Drawing No.</b> F-10	<b>Rev:</b>	<b>Drawn by :</b>
			<b>Dwg Title:</b> HOSPITAL STREET (PACKAGE 1) LIGHTING POLES DETAILS	<b>Scale</b> AS SHOWN	<b>Date:</b>	<b>Checked by:</b>

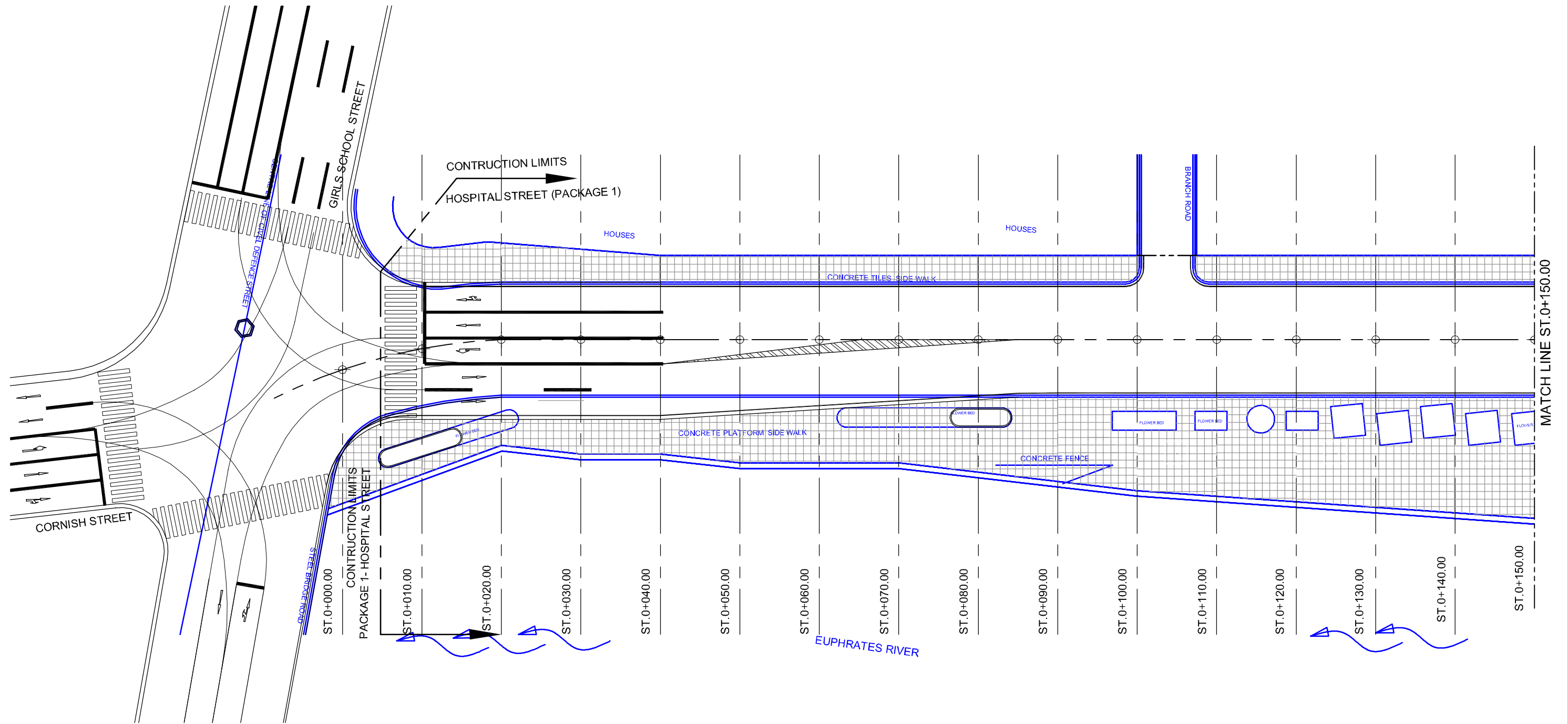
**LEGEND**

	EXISTING BIG TREE
	EXISTING SMALL TREE
	DATE PALM PLANTING TOTAL NUMBER: 10



CONCRETE TILES PAVEMENT

NOTE: BIG TREES TO BE TRIMMED AS PER ENGINEER INSTRUCTION ON SITE






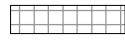
**NOTE:**  
ALL THE EXISTING LAYOUTS ARE IN BLUE

I:\SAMAWAH\JUNE 18, 2005 (PACKAGE 1) (07A) G SIDEWALK PLANTING & BENCH.DWG (1) JUN 18, 2005 5:37 PM

<b>Owner:</b> SAMAWAH MAYORALTY MUTHANNA GOVERNORATE REPUBLIC OF IRAQ	<b>Consultant:</b>	<b>Client :</b>	<b>Project :</b> REHABILITATION AND IMPROVEMENT OF THE ROADS AND ROAD SIDES IN SAMAWAH FOR SAMAWAH PROMENADE DEVELOPMENT PLAN	<b>Drawing No.</b> G-1	<b>Rev:</b>	<b>Drawn by :</b>
			<b>Dwg Title:</b> HOSPITAL STREET (PACKAGE 1) SIDEWALK, PLANTING AND BENCH LAYOUT (1-6)	<b>Scale</b> AS SHOWN	<b>Date:</b>	<b>Checked by:</b>

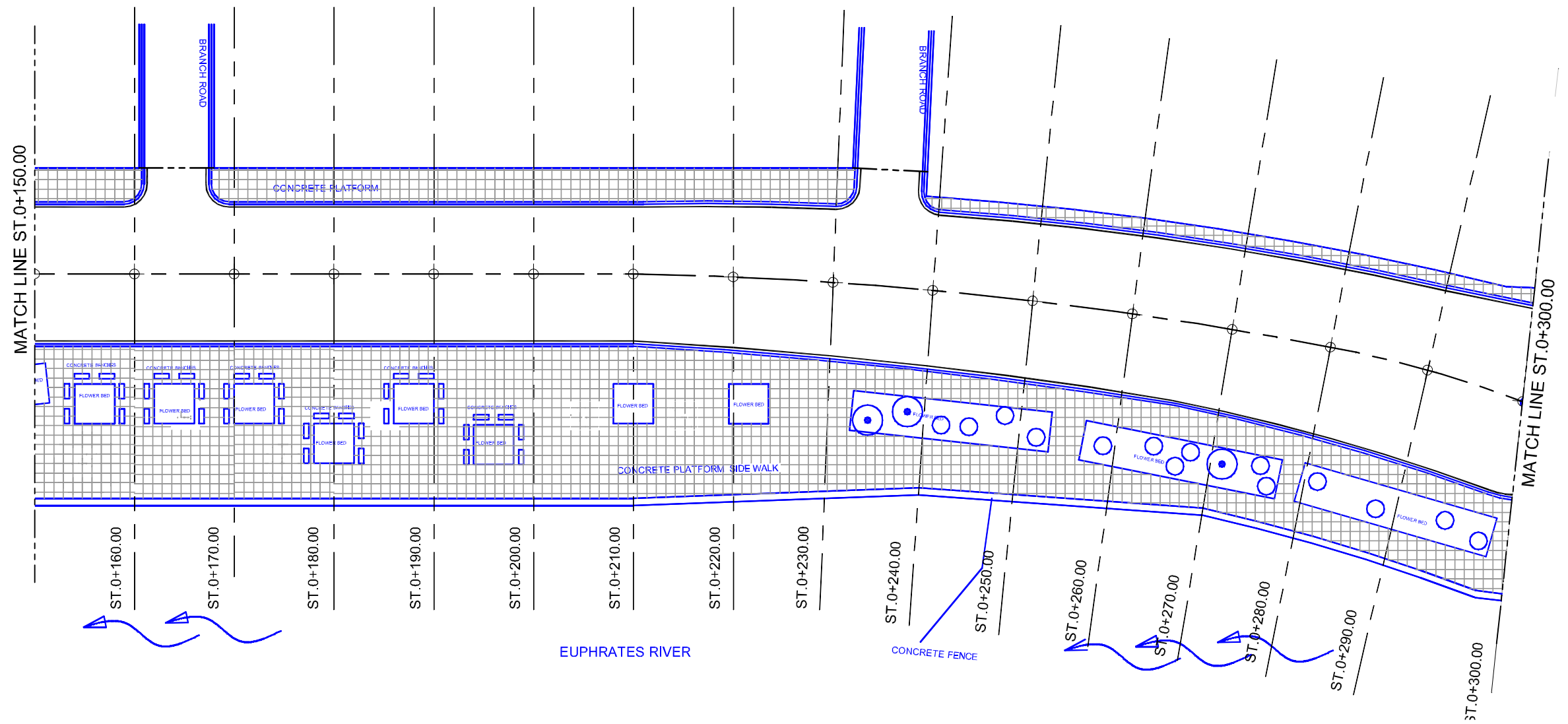
**LEGEND**

	EXISTING BIG TREE
	EXISTING SMALL TREE
	DATE PALM PLANTING TOTAL NUMBER: 10



CONCRETE TILES PAVEMENT

NOTE: BIG TREES TO BE TRIMMED AS PER ENGINEER INSTRUCTION ON SITE






**NOTE:**  
ALL THE EXISTING LAYOUTS ARE IN BLUE

<b>Owner:</b> SAMAWAH MAYORALTY MUTHANNA GOVERNORATE REPUBLIC OF IRAQ	<b>Consultant:</b>	<b>Client :</b>	<b>Project :</b> REHABILITATION AND IMPROVEMENT OF THE ROADS AND ROAD SIDES IN SAMAWAH FOR SAMAWAH PROMENADE DEVELOPMENT PLAN	<b>Drawing No.</b> G-2	<b>Rev:</b>	<b>Drawn by :</b>
			<b>Dwg Title:</b> HOSPITAL STREET (PACKAGE 1) SIDEWALK, PLANTING AND BENCH LAYOUT (2-6)	<b>Scale</b> AS SHOWN	<b>Date:</b>	<b>Checked by:</b>



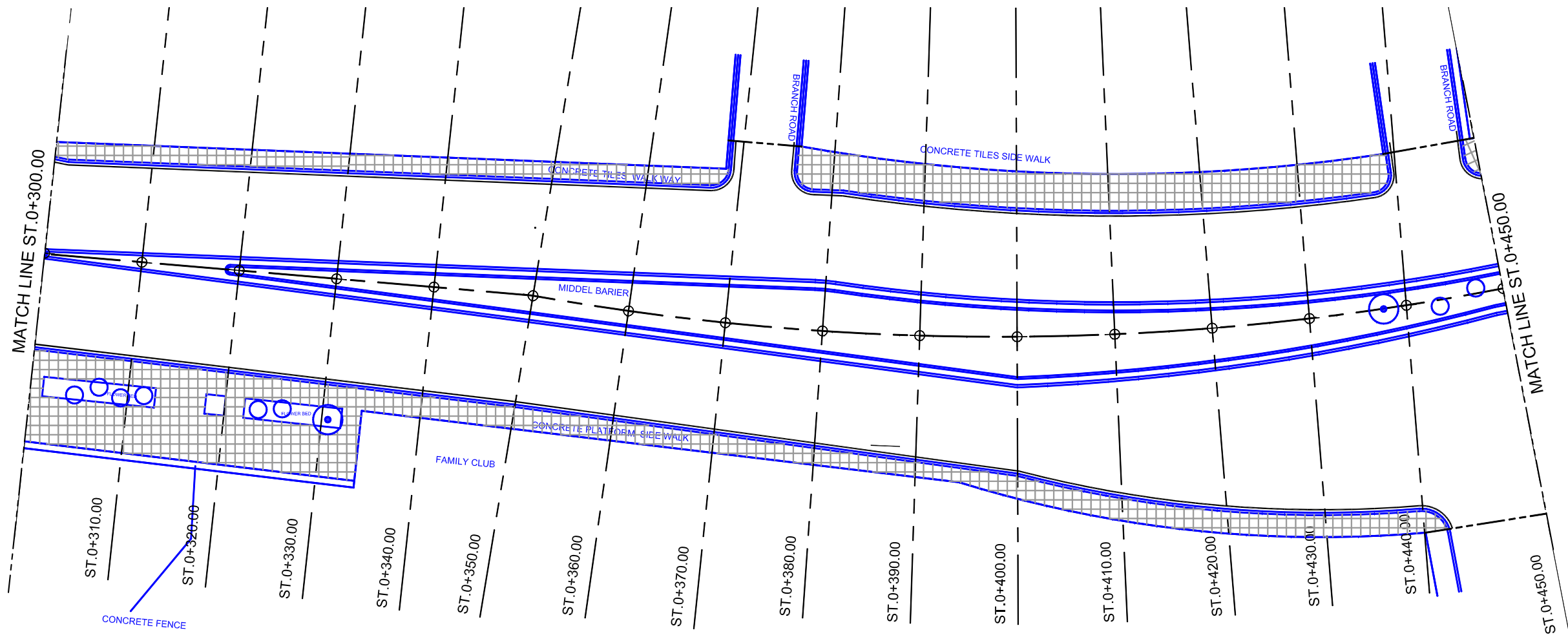
**LEGEND**

	EXISTING BIG TREE
	EXISTING SMALL TREE
	DATE PALM PLANTING TOTAL NUMBER: 10



CONCRETE TILES PAVEMENT

NOTE: BIG TREES TO BE TRIMMED AS PER ENGINEER INSTRUCTION ON SITE






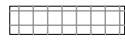
**NOTE:**  
ALL THE EXISTING LAYOUTS ARE IN BLUE

H:\SAMAWAH\JUNE 18, 2005\PACKAGE 1\07A) G SIDEWALK PLANTING & BENCH.DWG (3) Jun 18, 2005-5:03 PM

<b>Owner:</b> SAMAWAH MAYORALTY MUTHANNA GOVERNORATE REPUBLIC OF IRAQ	<b>Consultant:</b>	<b>Client :</b>	<b>Project :</b> REHABILITATION AND IMPROVEMENT OF THE ROADS AND ROAD SIDES IN SAMAWAH FOR SAMAWAH PROMENADE DEVELOPMENT PLAN	<b>Drawing No.</b> G-3	<b>Rev:</b>	<b>Drawn by :</b>
			<b>Dwg Title:</b> HOSPITAL STREET (PACKAGE 1) SIDEWALK, PLANTING AND BENCH LAYOUT (3-6)	<b>Scale</b> AS SHOWN	<b>Date:</b>	<b>Checked by:</b>

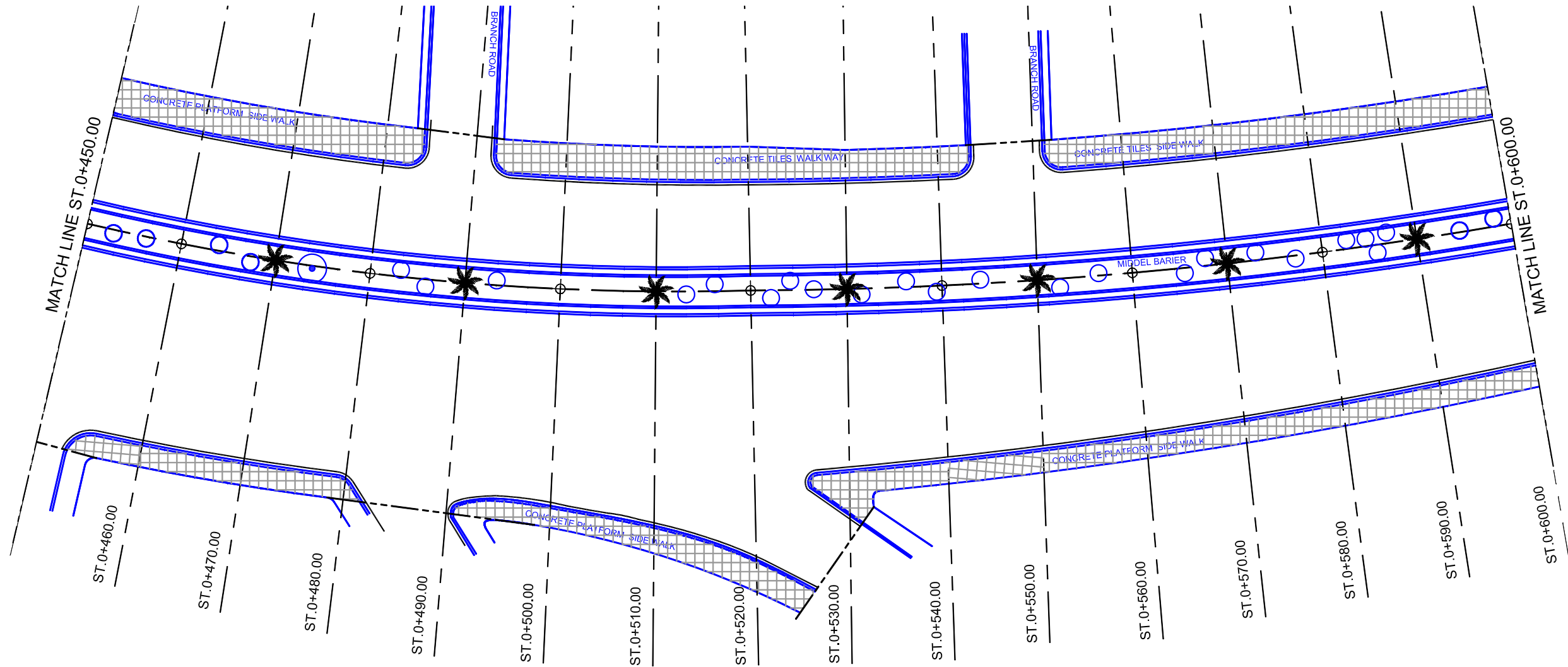
**LEGEND**

	EXISTING BIG TREE
	EXISTING SMALL TREE
	DATE PALM PLANTING TOTAL NUMBER: 10



CONCRETE TILES PAVEMENT

NOTE: BIG TREES TO BE TRIMMED AS PER ENGINEER INSTRUCTION ON SITE






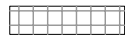
**NOTE:**  
ALL THE EXISTING LAYOUTS ARE IN BLUE

H:\SAMAWAH\JUNE 18, 2005\PACKAGE 1\07A) G SIDEWALK PLANTING & BENCH.DWG (4) Jun 18, 2005-5:03 PM

<b>Owner:</b> SAMAWAH MAYORALTY MUTHANNA GOVERNORATE REPUBLIC OF IRAQ	<b>Consultant:</b>	<b>Client :</b>	<b>Project :</b> REHABILITATION AND IMPROVEMENT OF THE ROADS AND ROAD SIDES IN SAMAWAH FOR SAMAWAH PROMENADE DEVELOPMENT PLAN	<b>Drawing No.</b> G-4	<b>Rev:</b>	<b>Drawn by :</b>
			<b>Dwg Title:</b> HOSPITAL STREET (PACKAGE 1) SIDEWALK, PLANTING AND BENCH LAYOUT (4-6)	<b>Scale</b> AS SHOWN	<b>Date:</b>	<b>Checked by:</b>

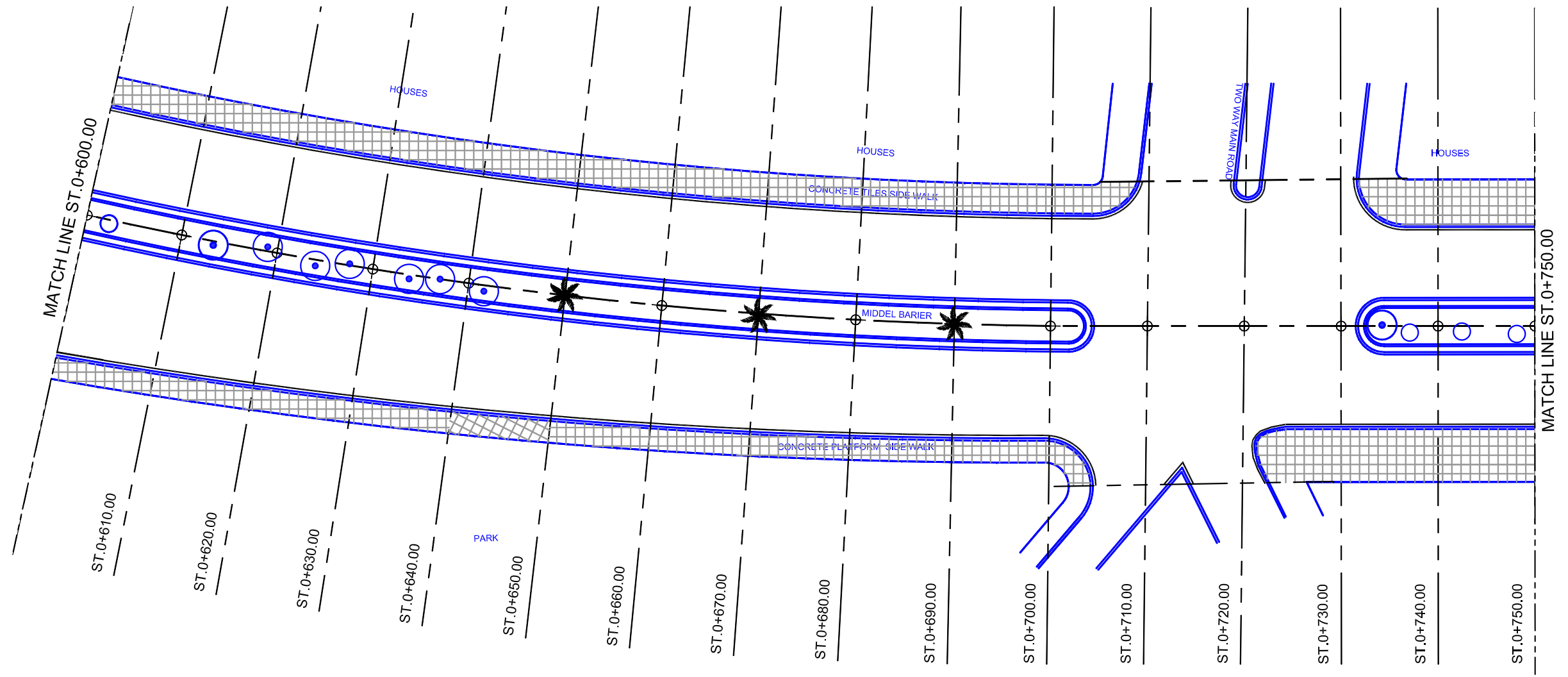
**LEGEND**

	EXISTING BIG TREE
	EXISTING SMALL TREE
	DATE PALM PLANTING TOTAL NUMBER: 10



CONCRETE TILES PAVEMENT

NOTE: BIG TREES TO BE TRIMMED AS PER ENGINEER INSTRUCTION ON SITE



**NOTE:**  
ALL THE EXISTING LAYOUTS ARE IN BLUE

H:\SAMAWAH\JUNE 18, 2005\PACKAGE 1\07A) G SIDEWALK PLANTING & BENCH.DWG (5) Jun 18, 2005-5:03 PM

<b>Owner:</b> SAMAWAH MAYORALTY MUTHANNA GOVERNORATE REPUBLIC OF IRAQ	<b>Consultant:</b>	<b>Client :</b>	<b>Project :</b> REHABILITATION AND IMPROVEMENT OF THE ROADS AND ROAD SIDES IN SAMAWAH FOR SAMAWAH PROMENADE DEVELOPMENT PLAN	<b>Drawing No.</b> G-5	<b>Rev:</b>	<b>Drawn by :</b>
			<b>Dwg Title:</b> HOSPITAL STREET (PACKAGE 1) SIDEWALK, PLANTING AND BENCH LAYOUT (5-6)	<b>Scale</b> AS SHOWN	<b>Date:</b>	<b>Checked by:</b>