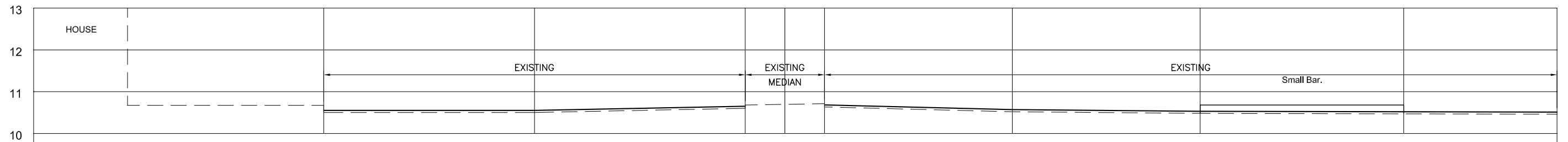
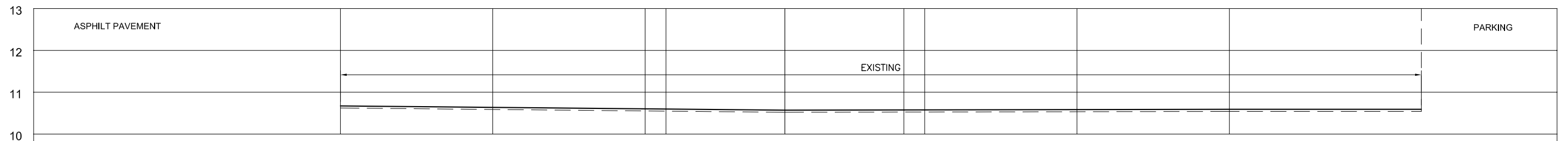


H:\SAMAWAH\JUNE 18, 2005\GIRLS SCHOOL ROAD\05B\ E-02 CROSS SECTION.DWG (3) Jun 18, 2005 11:21 AM



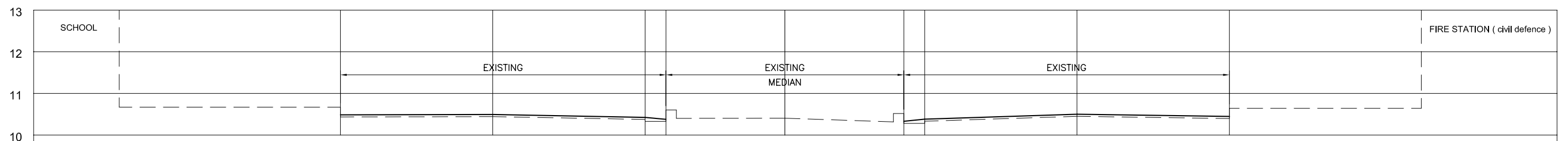
FINISH GRADE			10.524																
EXISTING GRADE			10.474																
CROSS WIDTH	15.750		11.050																

STA. 0+800



FINISH GRADE																			
EXISTING GRADE																			
CROSS WIDTH			10.650																

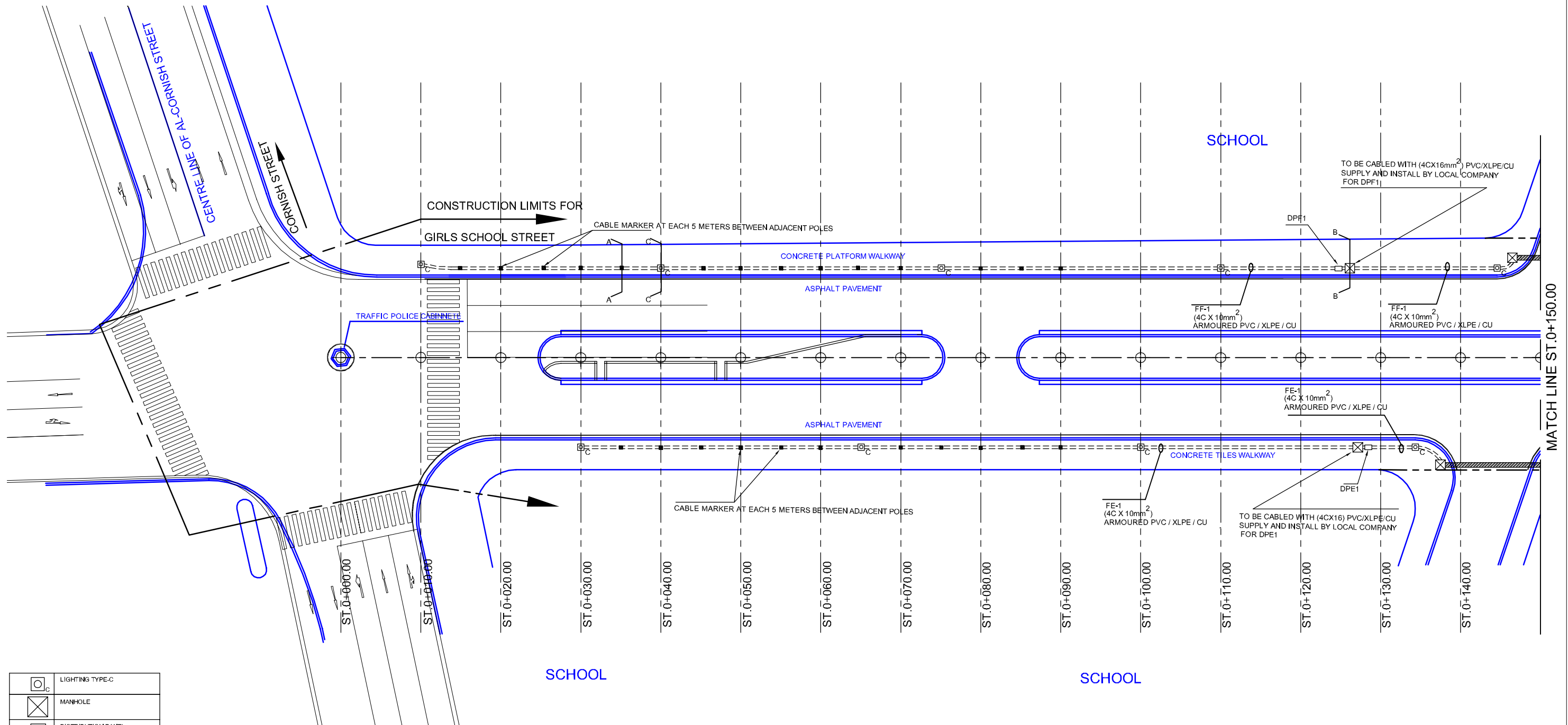
STA. 0+700



FINISH GRADE																			
EXISTING GRADE																			
CROSS WIDTH	15.950		10.650																

STA. 0+600

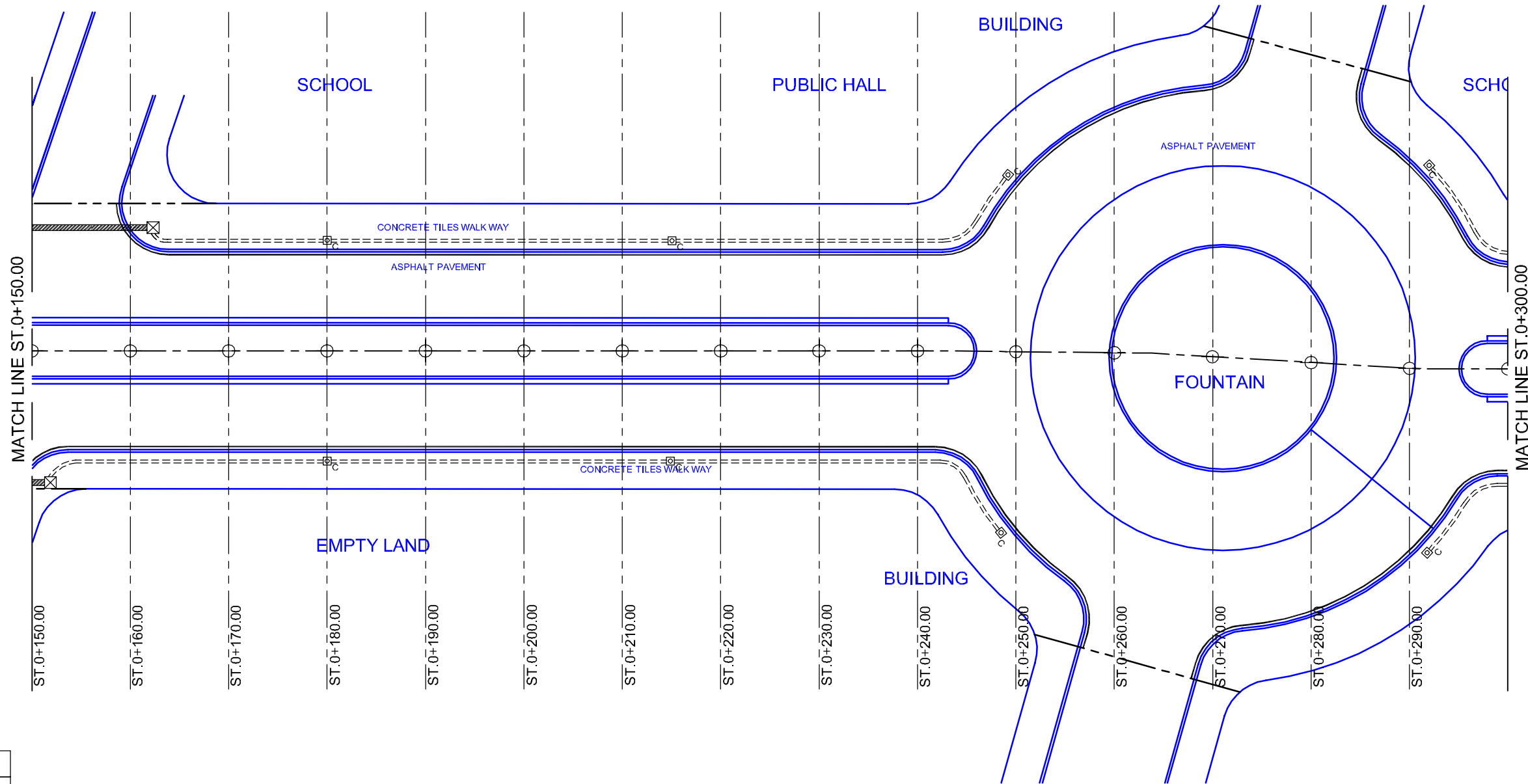
Owner: SAMAWAH MAYORALTY MUTHANNA GOVERNORATE REPUBLIC OF IRAQ	Consultant:	Client :	Project : REHABILITATION AND IMPROVEMENT OF THE ROADS AND ROAD SIDES IN SAMAWAH FOR SAMAWAH PROMENADE DEVELOPMENT PLAN	Drawing No. E-4	Rev:	Drawn by :
			Dwg Title: GIRLS SCHOOL STREET CROSS SECTION (3/3)	Scale 1:100	Date:	Checked by:



	LIGHTING TYPE-C
	MANHOLE
	DISTRIBUTION PANEL
	CONDUIT EXPOSED
	DUCT
	CABLE TRENCH
	CABLE MARKER

I:\SAMAWAH\UJINE 18_2005 GIRLS SCHOOL ROAD (06A) STREET LIGHTING PLAN.DWG (1) Jun 18, 2015:5:32 AM

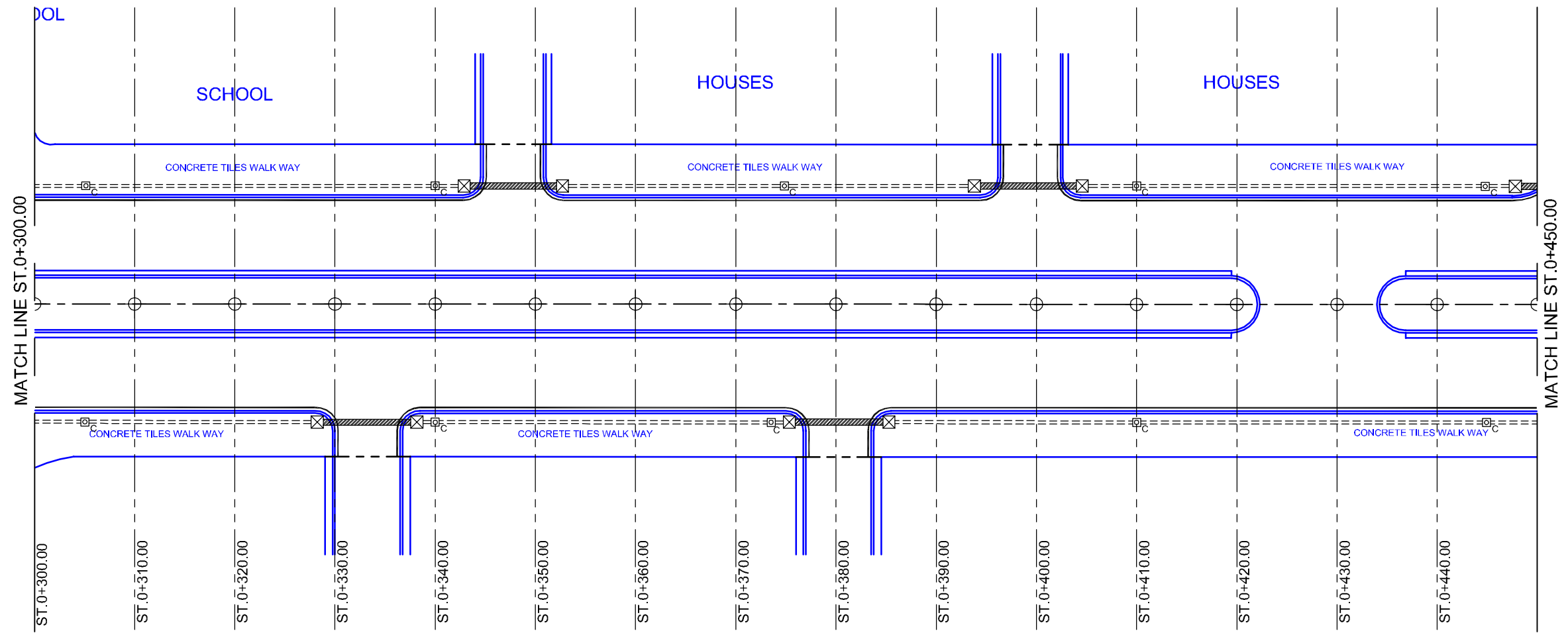
Owner: SAMAWAH MAYORALTY MUTHANNA GOVERNORATE REPUBLIC OF IRAQ	Consultant:	Client :	Project : REHABILITATION AND IMPROVEMENT OF THE ROADS AND ROAD SIDES IN SAMAWAH FOR SAMAWAH PROMENADE DEVELOPMENT PLAN	Drawing No. F-1	Rev:	Drawn by :
			Dwg Title: GIRLS SCHOOL STREET LIGHTING LAYOUT (1-6)	Scale AS SHOWN	Date:	Checked by:



	LIGHTING TYPE-C
	MANHOLE
	DISTRIBUTION PANEL
	CONDUIT EXPOSED
	DUCT
	CABLE TRENCH
	CABLE MARKER

I:\SAMAWAH\JUNE 18, 2005\GIRLS SCHOOL ROAD (06A) STREET LIGHTING PLAN.DWG (2) Jun 18, 2005:5:32 AM

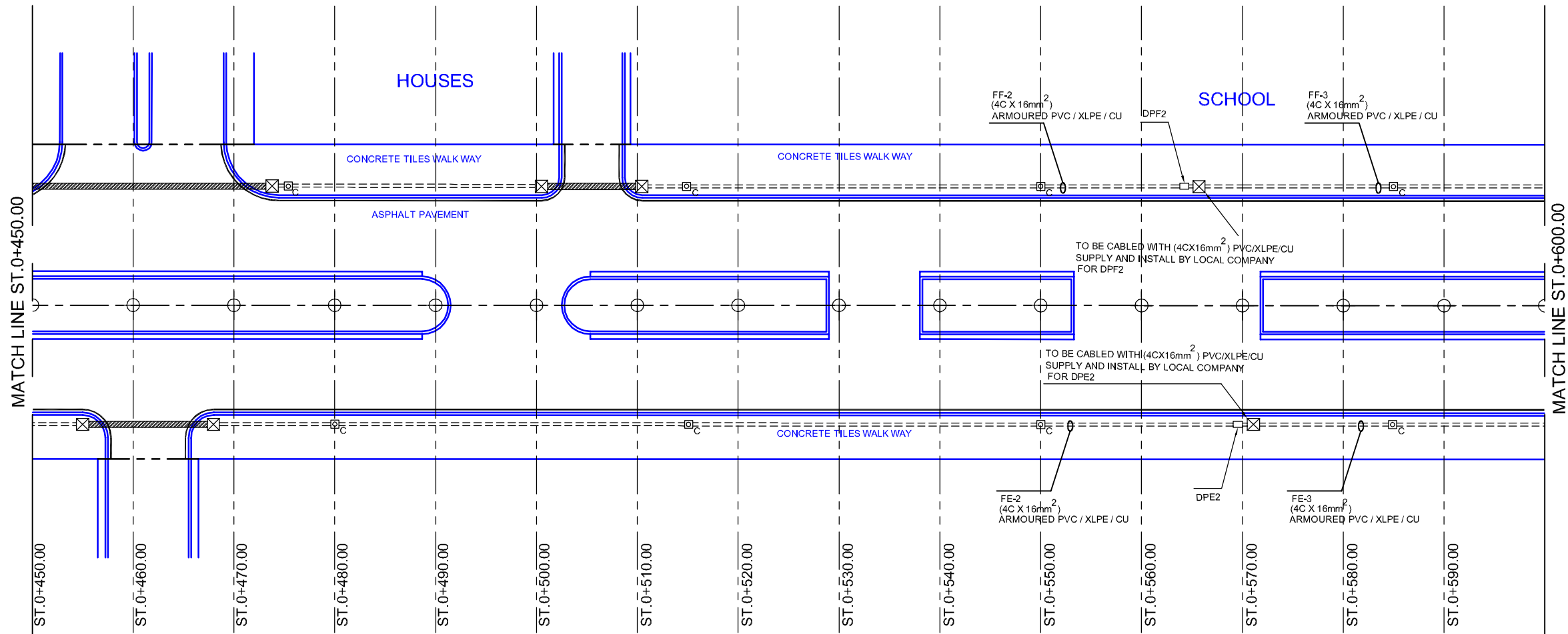
Owner: SAMAWAH MAYORALTY MUTHANNA GOVERNORATE REPUBLIC OF IRAQ	Consultant:	Client :	Project : REHABILITATION AND IMPROVEMENT OF THE ROADS AND ROAD SIDES IN SAMAWAH FOR SAMAWAH PROMENADE DEVELOPMENT PLAN	Drawing No. F-2	Rev:	Drawn by :
			Dwg Title: GIRLS SCHOOL STREET LIGHTING LAYOUT (2-6)	Scale AS SHOWN	Date:	Checked by:



	LIGHTING TYPE:C
	MANHOLE
	DISTRIBUTION PANEL
	CONDUIT EXPOSED
	DUCT
	CABLE TRENCH
	CABLE MARKER

I:\SAMAWAH\JUNE 18, 2005\GIRLS SCHOOL ROAD (06A) STREET LIGHTING PLAN.DWG (3) JUN 18, 2005:5:32 AM

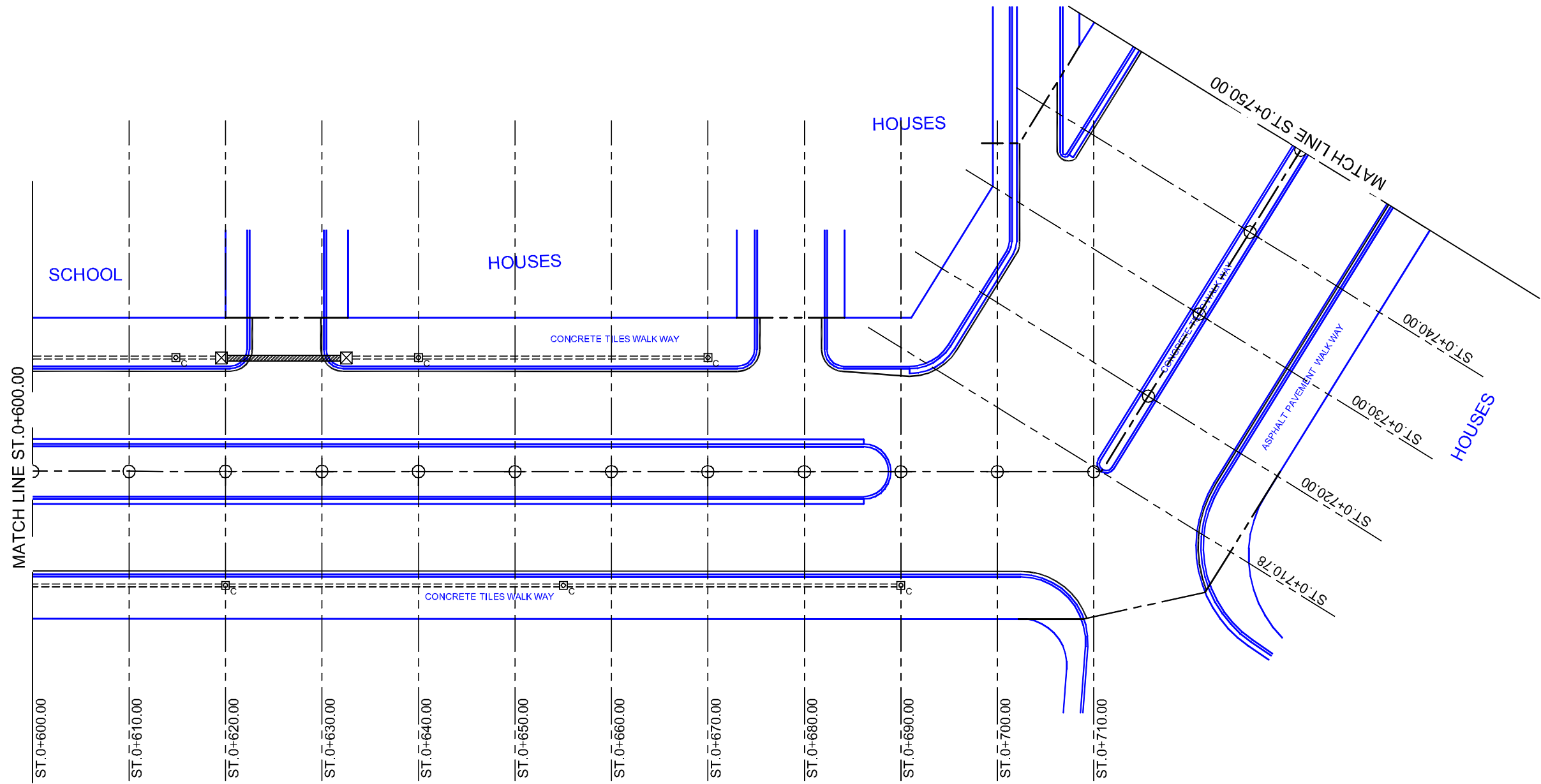
Owner: SAMAWAH MAYORALTY MUTHANNA GOVERNORATE REPUBLIC OF IRAQ	Consultant:	Client :	Project : REHABILITATION AND IMPROVEMENT OF THE ROADS AND ROAD SIDES IN SAMAWAH FOR SAMAWAH PROMENADE DEVELOPMENT PLAN	Drawing No. F-3	Rev:	Drawn by :
			Dwg Title: GIRLS SCHOOL STREET LIGHTING LAYOUT (3-6)	Scale AS SHOWN	Date:	Checked by:



	LIGHTING TYPE-C
	MANHOLE
	DISTRIBUTION PANEL
	CONDUIT EXPOSED
	DUCT
	CABLE TRENCH
	CABLE MARKER

I:\SAMAWAH\LINE 18, 2005 GIRLS SCHOOL ROAD (06A) STREET LIGHTING PLAN.DWG (4) Jun 18, 2015:5:32 AM

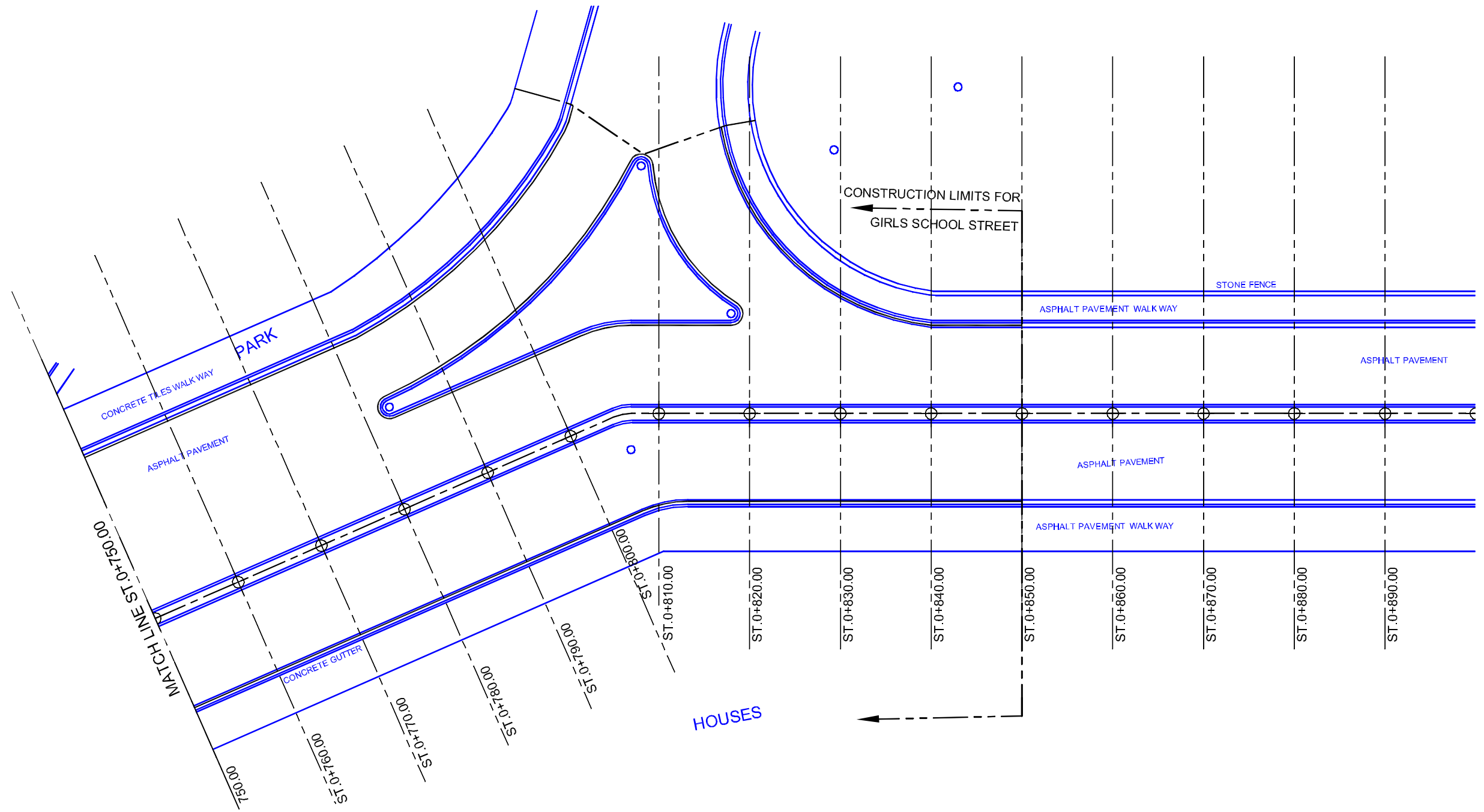
Owner: SAMAWAH MAYORALTY MUTHANNA GOVERNORATE REPUBLIC OF IRAQ	Consultant:	Client :	Project : REHABILITATION AND IMPROVEMENT OF THE ROADS AND ROAD SIDES IN SAMAWAH FOR SAMAWAH PROMENADE DEVELOPMENT PLAN	Drawing No. F-4	Rev:	Drawn by :
			Dwg Title: GIRLS SCHOOL STREET LIGHTING LAYOUT (4-6)	Scale AS SHOWN	Date:	Checked by:



	LIGHTING TYPE-C
	MANHOLE
	DISTRIBUTION PANEL
	CONDUIT EXPOSED
	DUCT
	CABLE TRENCH
	CABLE MARKER

I:\SAMAWAH\UINE 18_2005\GIRLS SCHOOL ROAD (06A) STREET LIGHTING PLAN.DWG (5) Jun 18, 2015:5:32 AM

Owner: SAMAWAH MAYORALTY MUTHANNA GOVERNORATE REPUBLIC OF IRAQ	Consultant:	Client :	Project : REHABILITATION AND IMPROVEMENT OF THE ROADS AND ROAD SIDES IN SAMAWAH FOR SAMAWAH PROMENADE DEVELOPMENT PLAN	Drawing No. F-5	Rev:	Drawn by :
			Dwg Title: GIRLS SCHOOL STREET LIGHTING LAYOUT (5-6)	Scale AS SHOWN	Date:	Checked by:

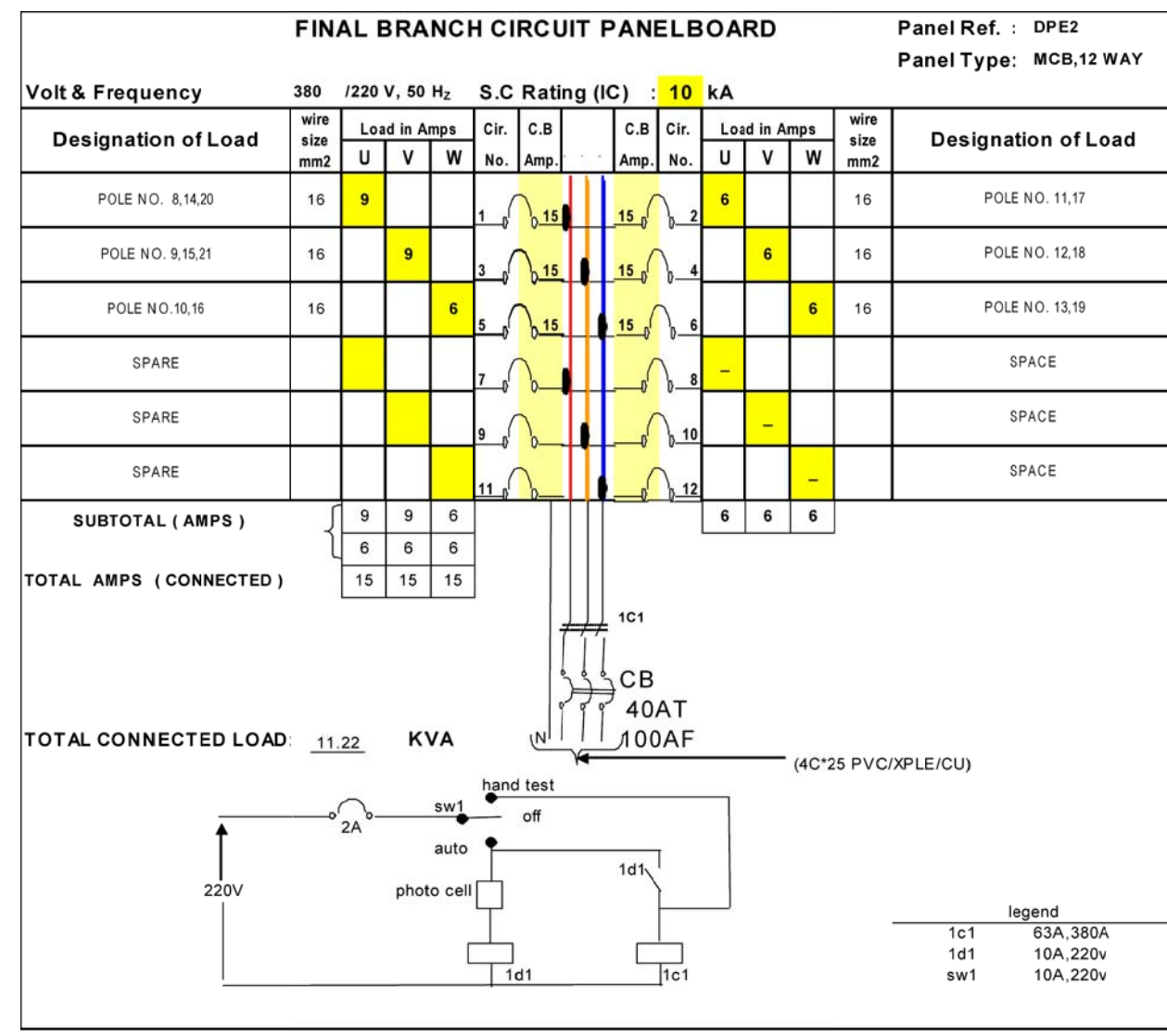
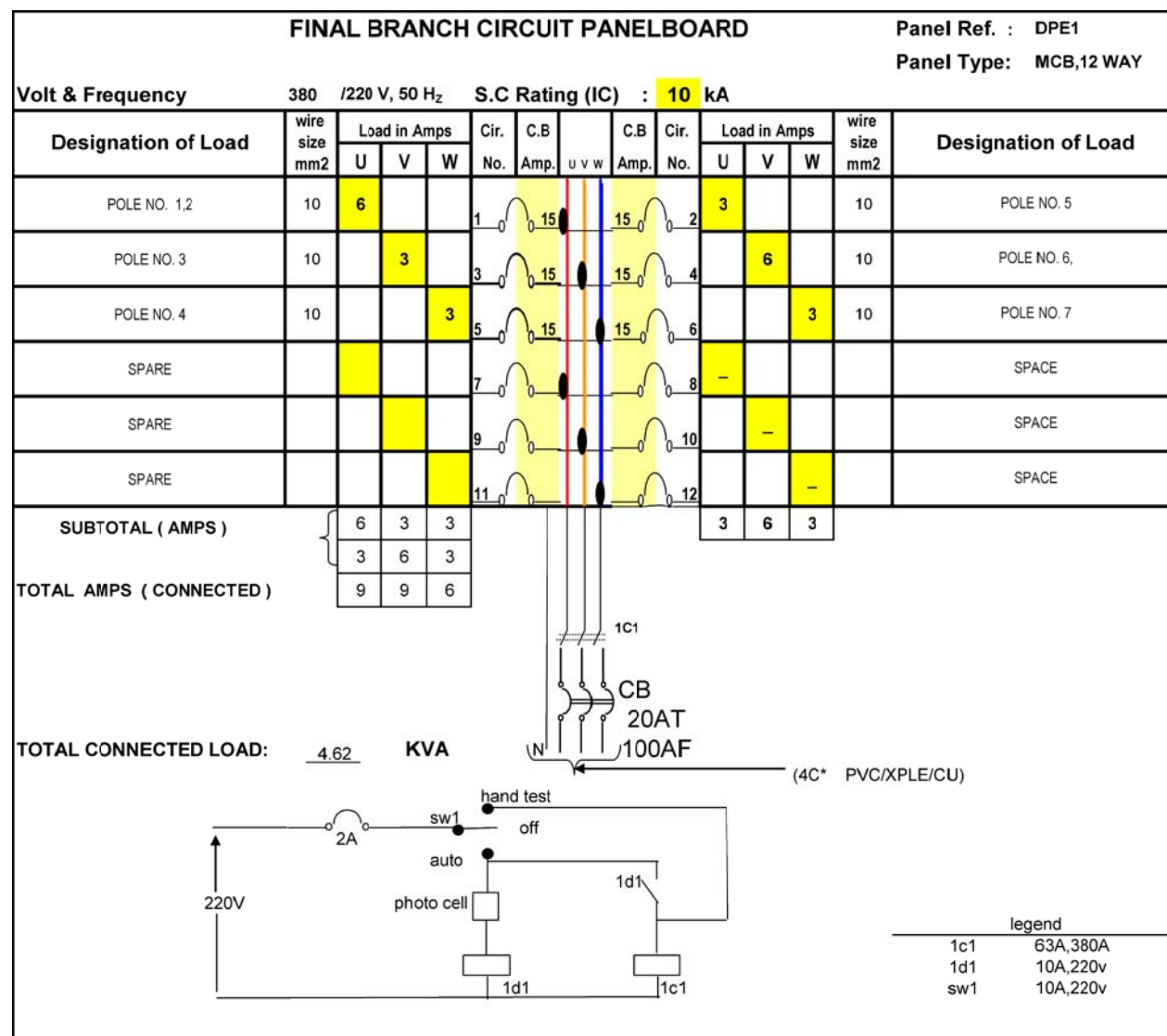


	LIGHTING TYPE-C
	MANHOLE
	DISTRIBUTION PANEL
	CONDUIT EXPOSED
	DUCT
	CABLE TRENCH
	CABLE MARKER

I:\SAMAWAH\JUNE 18, 2005\GIRLS SCHOOL ROAD (06A) STREET LIGHTING PLAN.DWG (6) - Jun 18, 2005 - 10:21 AM

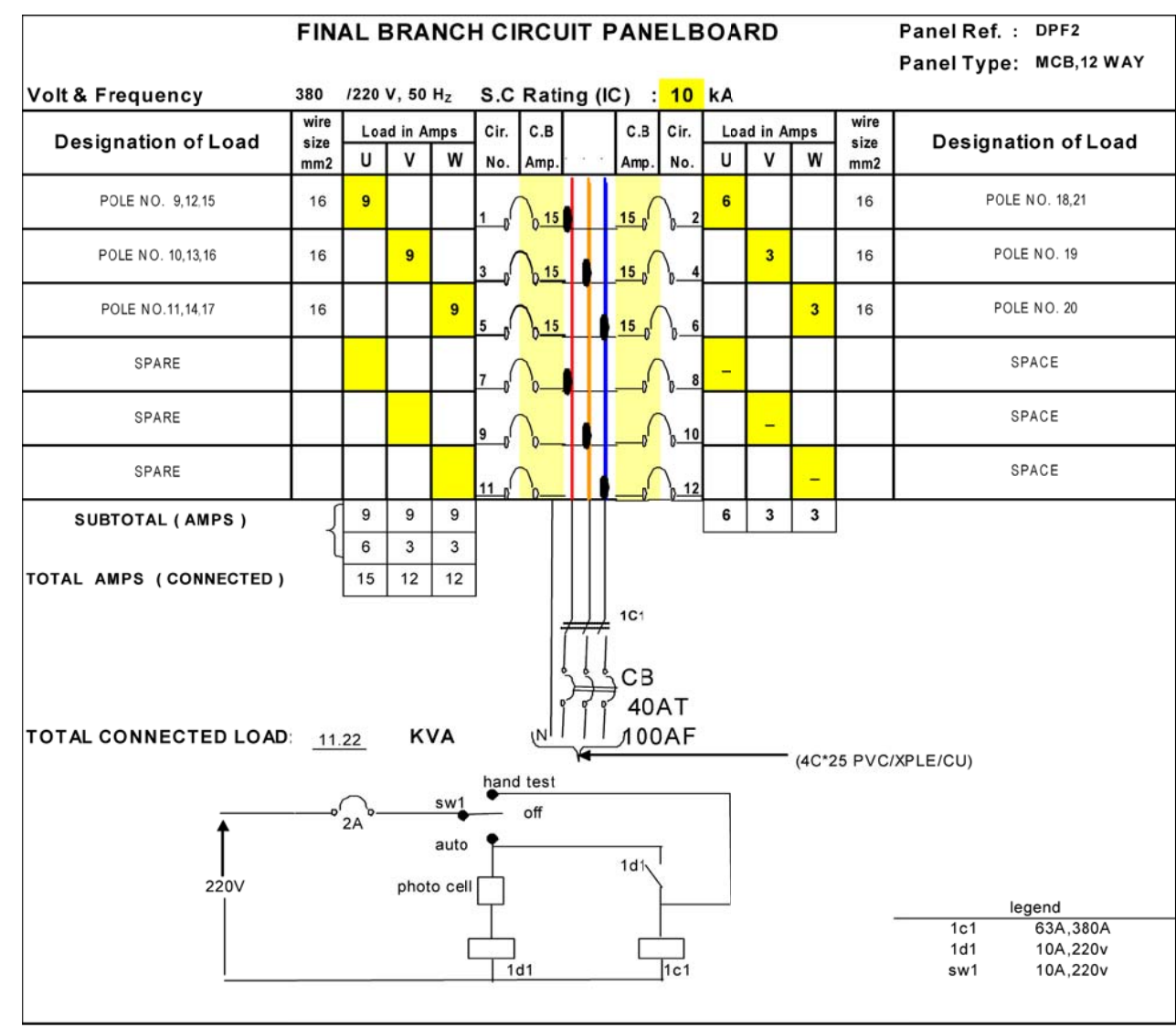
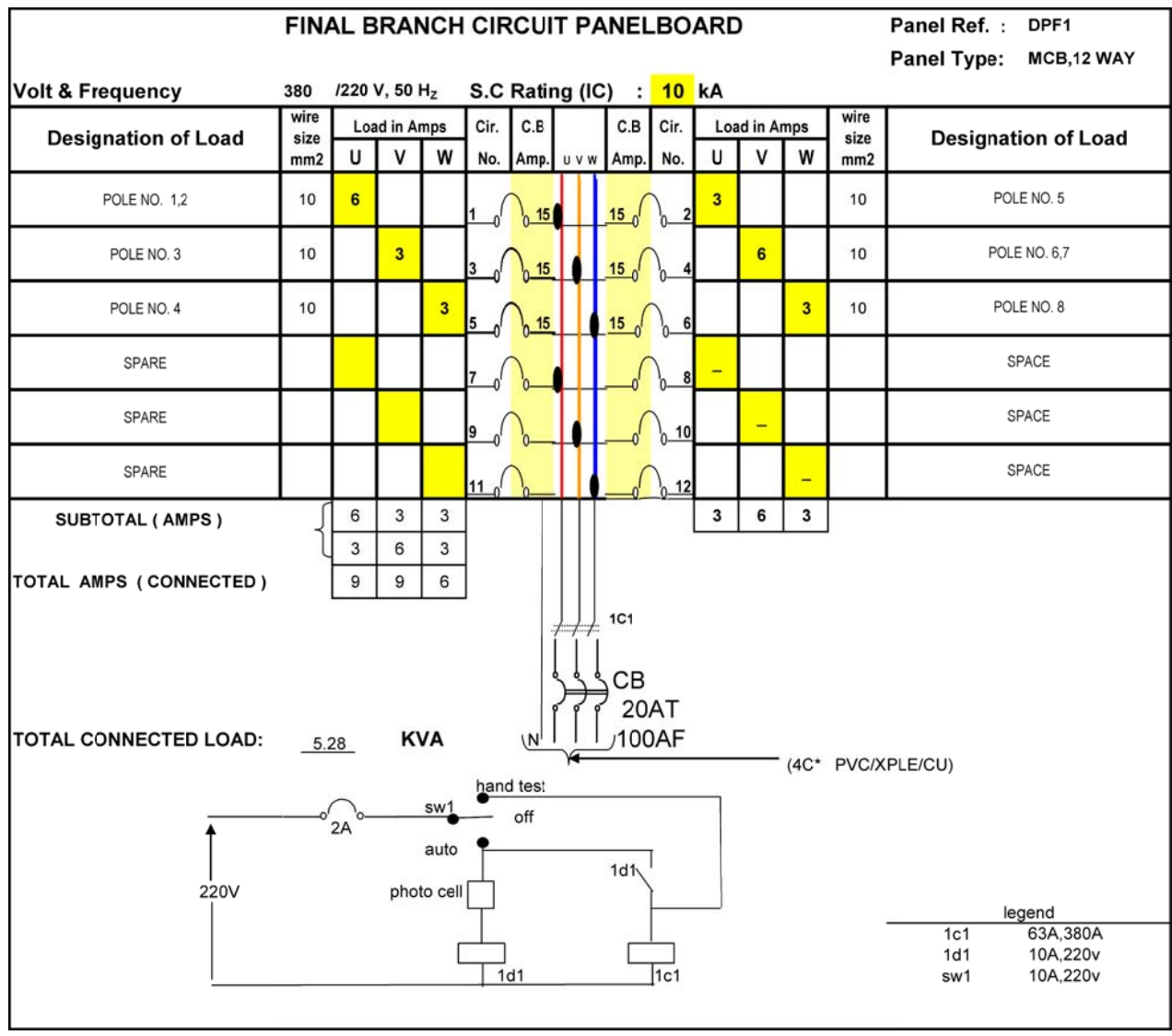
Owner: SAMAWAH MAYORALTY MUTHANNA GOVERNORATE REPUBLIC OF IRAQ	Consultant:	Client :	Project : REHABILITATION AND IMPROVEMENT OF THE ROADS AND ROAD SIDES IN SAMAWAH FOR SAMAWAH PROMENADE DEVELOPMENT PLAN	Drawing No. F-6	Rev:	Drawn by :
			Dwg Title: GIRLS SCHOOL STREET LIGHTING LAYOUT (6-6)	Scale AS SHOWN	Date:	Checked by:

H:\SAMAWAH\JUNE 18, 2005\GIRLS SCHOOL ROAD\06B) F-8 DISTRIBUTION PANEL.DWG DPE1 & DPE2 Jun 18, 2005 8:43 AM



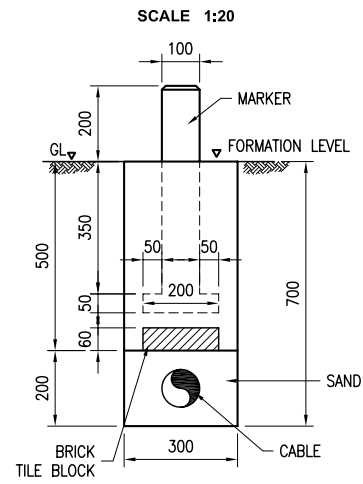
Owner:	SAMAWAH MAYORALTY MUTHANNA GOVERNORATE REPUBLIC OF IRAQ	Consultant:	Client :	Project :	REHABILITATION AND IMPROVEMENT OF THE ROADS AND ROAD SIDES IN SAMAWAH FOR SAMAWAH PROMENADE DEVELOPMENT PLAN	Drawing No.	F-7	Rev:	Date:	Drawn by :	Checked by:
				Dwg Title:	GIRLS SCHOOL STREET DISTRIBUION PANELS	Scale					

H:\SAMAWAH\JUNE 18, 2005\GIRLS SCHOOL ROAD\06B) F-8 DISTRIBUTION PANEL.DWG (2) Jun 18, 2005 8:46 AM

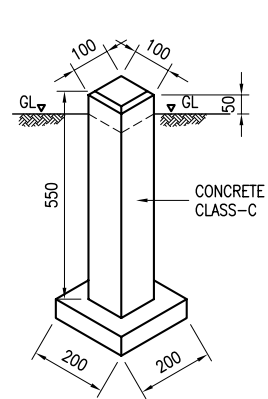


Owner: SAMAWAH MAYORALTY MUTHANNA GOVERNORATE REPUBLIC OF IRAQ	Consultant:	Client :	Project : REHABILITATION AND IMPROVEMENT OF THE ROADS AND ROAD SIDES IN SAMAWAH FOR SAMAWAH PROMENADE DEVELOPMENT PLAN Dwg Title: GIRLS SCHOOL STREET DISTRIBUTION PANELS	Drawing No. F-8 Scale	Rev: Date:	Drawn by : Checked by:
--	--------------------	-----------------	--	---	---------------------------------	---

DIRECT BURIED CABLE DETAIL

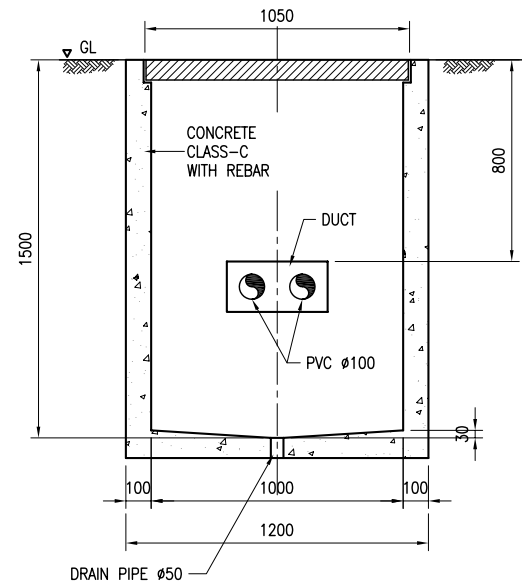


CABLE MARKER

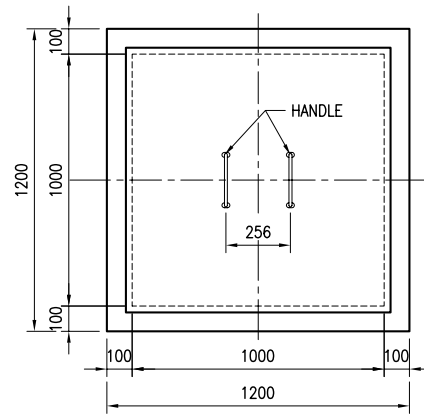


MANHOLE DETAIL

SCALE 1:30
SECTION

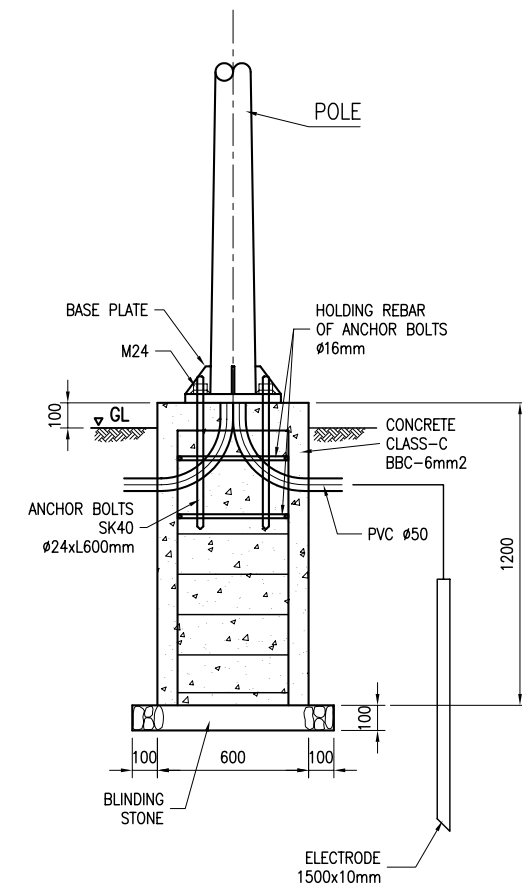


PLAN



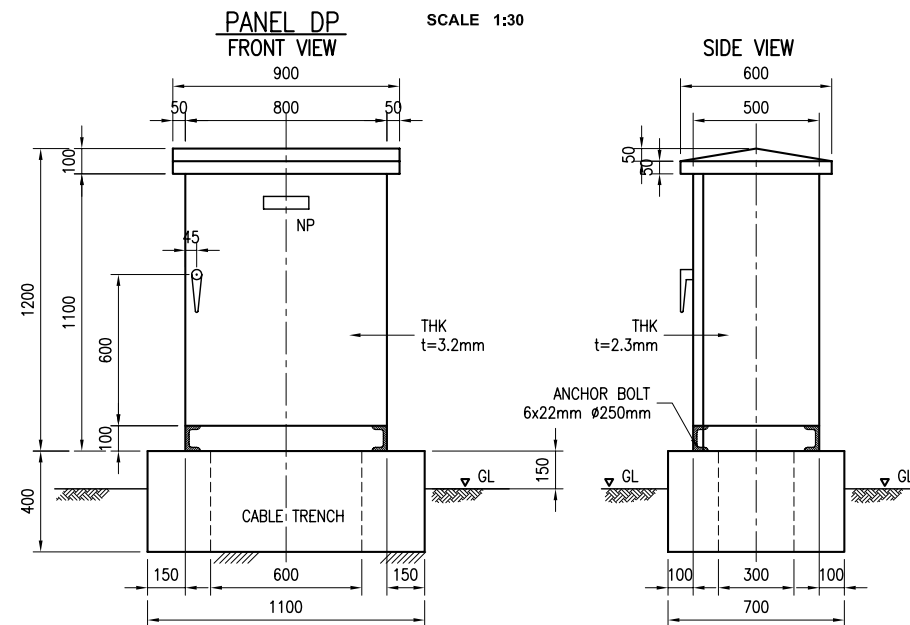
DETAIL OF POLE FOUNDATION

SCALE 1:30



PANEL DETAIL

SCALE 1:30



Owner: SAMAWAH MAYORALTY
MUTHANNA GOVERNORATE
REPUBLIC OF IRAQ

Consultant:

Client :

Project : REHABILITATION AND IMPROVEMENT OF THE ROADS AND ROAD SIDES IN SAMAWAH FOR
SAMAWAH PROMENADE DEVELOPMENT PLAN

Drawing No.
F-9

Rev:

Drawn by :

Dwg Title: GIRLS SCHOOL STREET
MANHOLE, FOUNDATION, DISTRIBUTION BOARD DETAILS FOR STREET LIGHTING

Scale
AS SHOWN

Date:

Checked by:

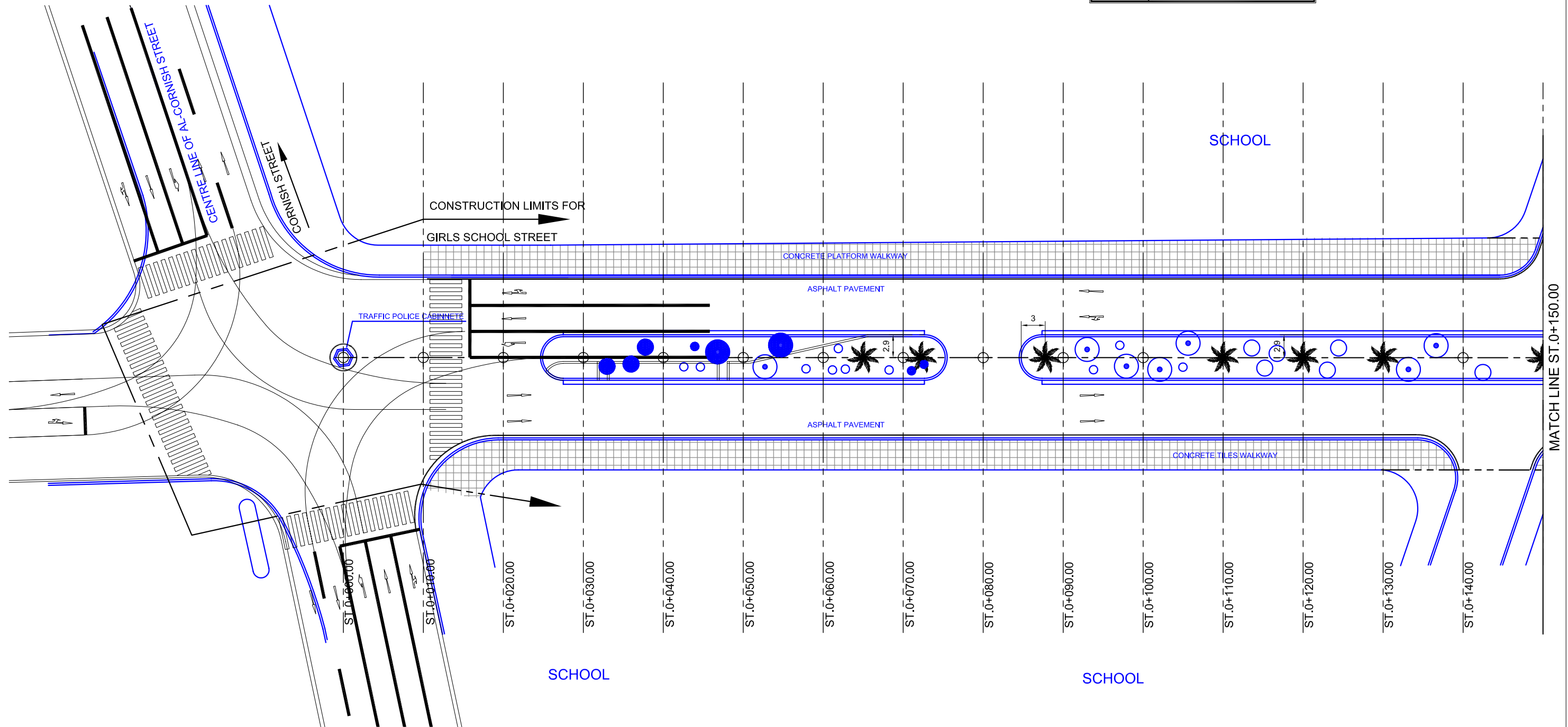


LEGEND

	CONCRETE TILES PAVEMENT
	DATE PALM PLANTING TOTAL NUMBER: 30
	EXISTING BIG TREE
	EXISTING SMALL TREE
	EXISTING TREE TO BE CUT

NOTE:

- 1- EXISTING DRAINAGE SYSTEM ALONG THE MEDIAN MUST BE CONSIDERED WITH PLANTING PALM TREES
- 2- LOCATION OF THE PALM TREES MUST BE VERIFIED ON SITE AS PER ENGINEERS INSTRUCTION
- 3- BIG TREES TO BE TRIMED AS PER ENGINEERS INSTRUCTION



NOTE:
ALL THE EXISTING LAYOUTS ARE IN BLUE

H:\SAMAWAH\JUNE 18, 2005\GIRLS SCHOOL ROAD\07A) G SIDEWALK PLANTING & BENCH.DWG (1) Jun 18, 2005-10:18 AM

Owner: SAMAWAH MAYORALTY MUTHANNA GOVERNORATE REPUBLIC OF IRAQ	Consultant:	Client :	Project : REHABILITATION AND IMPROVEMENT OF THE ROADS AND ROAD SIDES IN SAMAWAH FOR SAMAWAH PROMENADE DEVELOPMENT PLAN	Drawing No. G-1	Rev:	Drawn by :
			Dwg Title: GIRLS SCHOOL STREET SIDEWALK, PLANTING AND BENCH LAYOUT (1-6)	Scale AS SHOWN	Date:	Checked by:

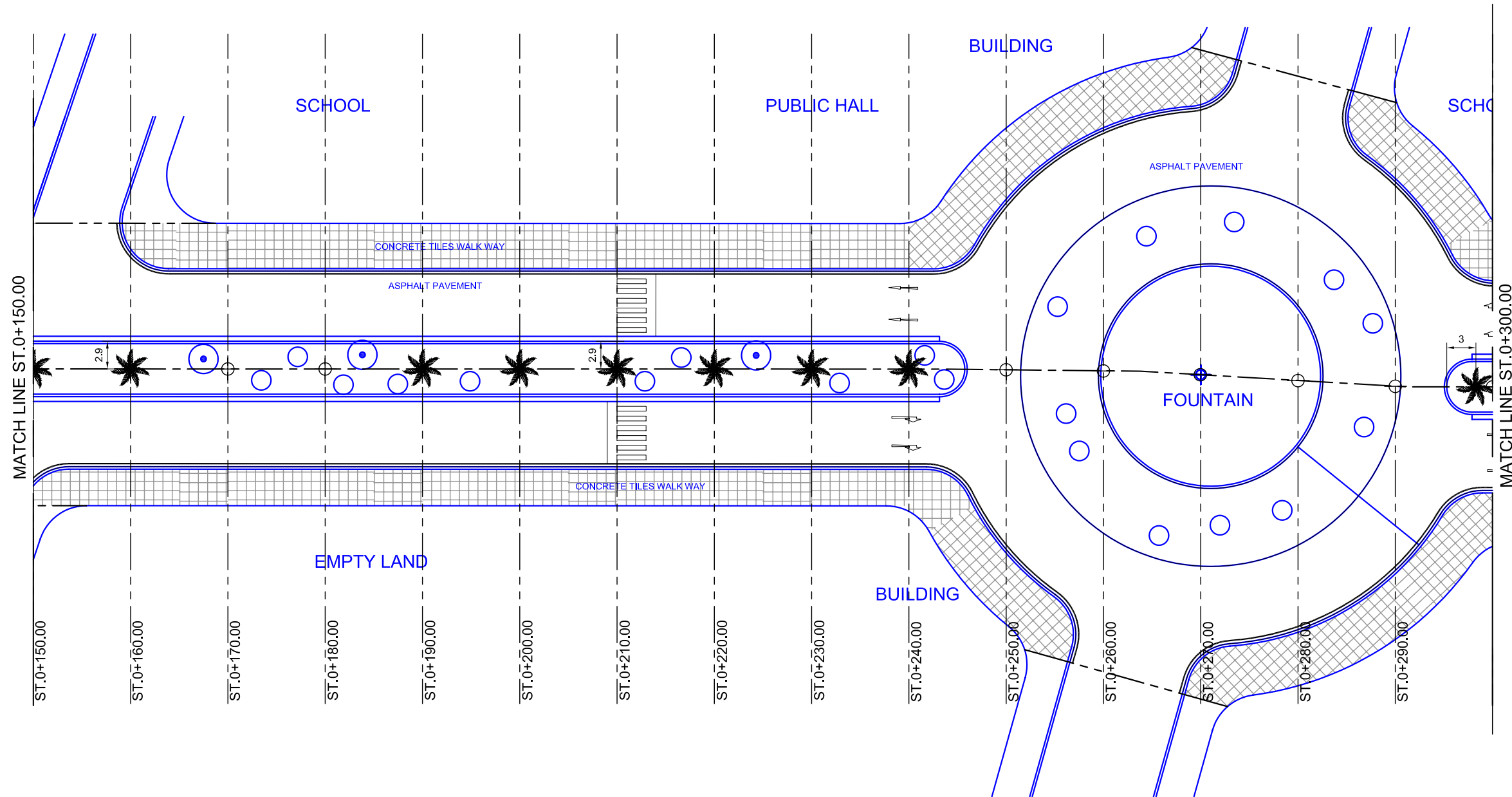


LEGEND

	CONCRETE TILES PAVEMENT
	DATE PALM PLANTING TOTAL NUMBER: 30
	EXISTING BIG TREE
	EXISTING SMALL TREE
	EXISTING TREE TO BE CUT

NOTE:

- 1- EXISTING DRAINAGE SYSTEM ALONG THE MEDIAN MUST BE CONSIDERED WITH PLANTING PALM TREES
- 2- LOCATION OF THE PALM TREES MUST BE VERIFIED ON SITE AS PER ENGINEERS INSTRUCTION
- 3- BIG TREES TO BE TRIMED AS PER ENGINEERS INSTRUCTION



NOTE:
ALL THE EXISTING LAYOUTS ARE IN BLUE

H:\SAMAWAH\JUNE 18, 2005\GIRLS SCHOOL ROAD\07A) G SIDEWALK PLANTING & BENCH.DWG (2) Jun 18, 2005-10:17 AM

Owner: SAMAWAH MAYORALTY MUTHANNA GOVERNORATE REPUBLIC OF IRAQ	Consultant:	Client :	Project : REHABILITATION AND IMPROVEMENT OF THE ROADS AND ROAD SIDES IN SAMAWAH FOR SAMAWAH PROMENADE DEVELOPMENT PLAN	Drawing No. G-2	Rev:	Drawn by :
			Dwg Title: GIRLS SCHOOL STREET SIDEWALK, PLANTING AND BENCH LAYOUT (2-6)	Scale AS SHOWN	Date:	Checked by:

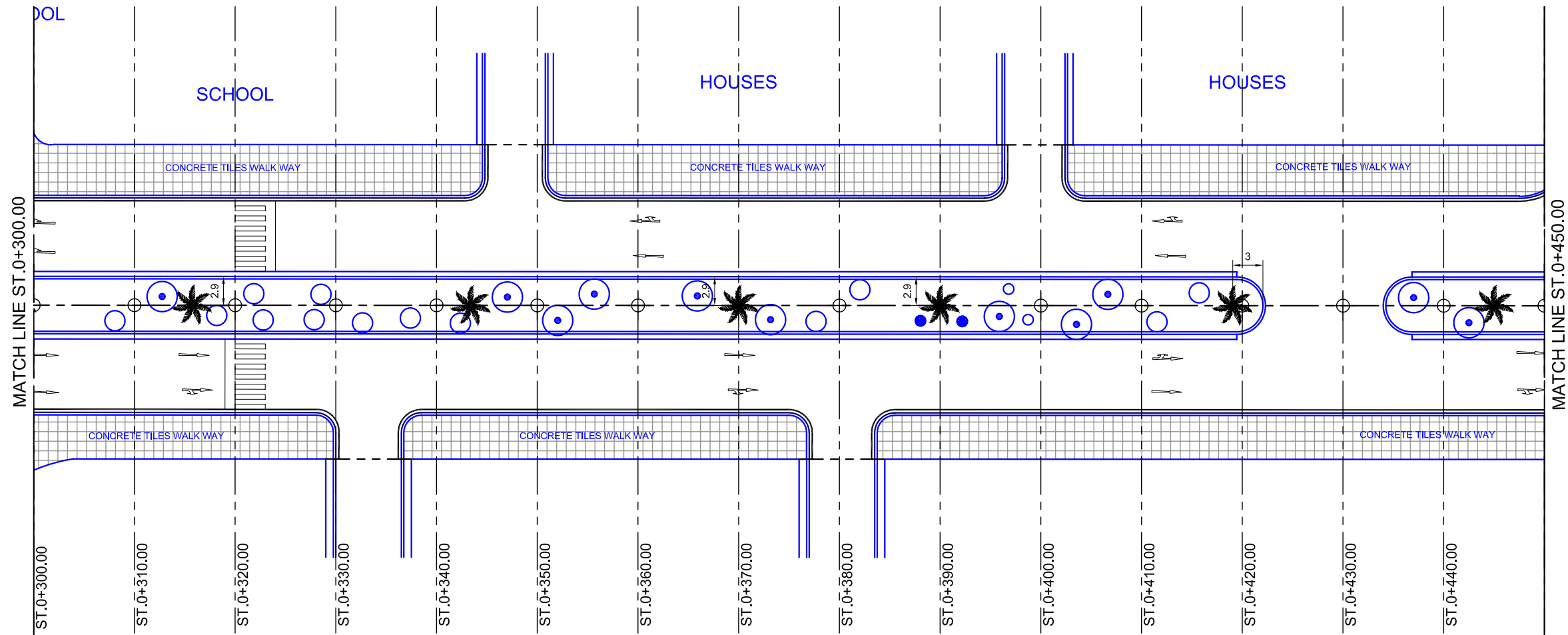


LEGEND

	CONCRETE TILES PAVEMENT
	DATE PALM PLANTING TOTAL NUMBER: 30
	EXISTING BIG TREE
	EXISTING SMALL TREE
	EXISTING TREE TO BE CUT

NOTE:

- 1- EXISTING DRAINAGE SYSTEM ALONG THE MEDIAN MUST BE CONSIDERED WITH PLANTING PALM TREES
- 2- LOCATION OF THE PALM TREES MUST BE VERIFIED ON SITE AS PER ENGINEERS INSTRUCTION
- 3- BIG TREES TO BE TRIMED AS PER ENGINEERS INSTRUCTION



NOTE:
ALL THE EXISTING LAYOUTS ARE IN BLUE

H:\SAMAWAH\JUNE 18, 2005\GIRLS SCHOOL ROAD\07A.G SIDEWALK PLANTING & BENCH.DWG (3) Jun 18, 2005-10:18 AM

Owner: SAMAWAH MAYORALTY MUTHANNA GOVERNORATE REPUBLIC OF IRAQ	Consultant:	Client :	Project : REHABILITATION AND IMPROVEMENT OF THE ROADS AND ROAD SIDES IN SAMAWAH FOR SAMAWAH PROMENADE DEVELOPMENT PLAN	Drawing No. G-3	Rev:	Drawn by :
			Dwg Title: GIRLS SCHOOL STREET SIDEWALK, PLANTING AND BENCH LAYOUT (3-6)	Scale AS SHOWN	Date:	Checked by:

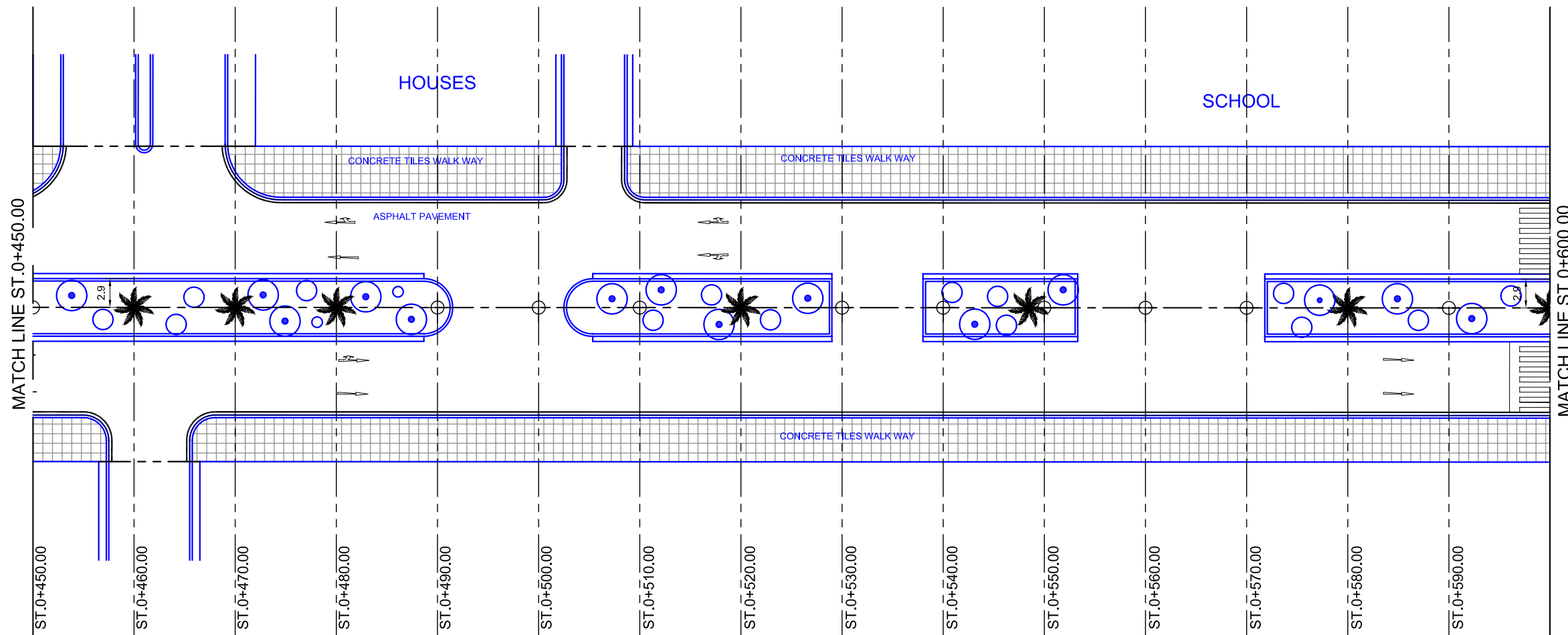


LEGEND

	CONCRETE TILES PAVEMENT
	DATE PALM PLANTING TOTAL NUMBER: 30
	EXISTING BIG TREE
	EXISTING SMALL TREE
	EXISTING TREE TO BE CUT

NOTE:

- 1- EXISTING DRAINAGE SYSTEM ALONG THE MEDIAN MUST BE CONSIDERED WITH PLANTING PALM TREES
- 2- LOCATION OF THE PALM TREES MUST BE VERIFIED ON SITE AS PER ENGINEERS INSTRUCTION
- 3- BIG TREES TO BE TRIMED AS PER ENGINEERS INSTRUCTION



NOTE:
ALL THE EXISTING LAYOUTS ARE IN BLUE

H:\SAMAWAH\JUNE 18, 2005\GIRLS SCHOOL ROAD\07A) G SIDEWALK PLANTING & BENCH.DWG (4) - Jun 18, 2005-10:18 AM

Owner: SAMAWAH MAYORALTY MUTHANNA GOVERNORATE REPUBLIC OF IRAQ	Consultant:	Client :	Project : REHABILITATION AND IMPROVEMENT OF THE ROADS AND ROAD SIDES IN SAMAWAH FOR SAMAWAH PROMENADE DEVELOPMENT PLAN	Drawing No. G-4	Rev:	Drawn by :
			Dwg Title: GIRLS SCHOOL STREET SIDEWALK, PLANTING AND BENCH LAYOUT (4-6)	Scale AS SHOWN	Date:	Checked by: