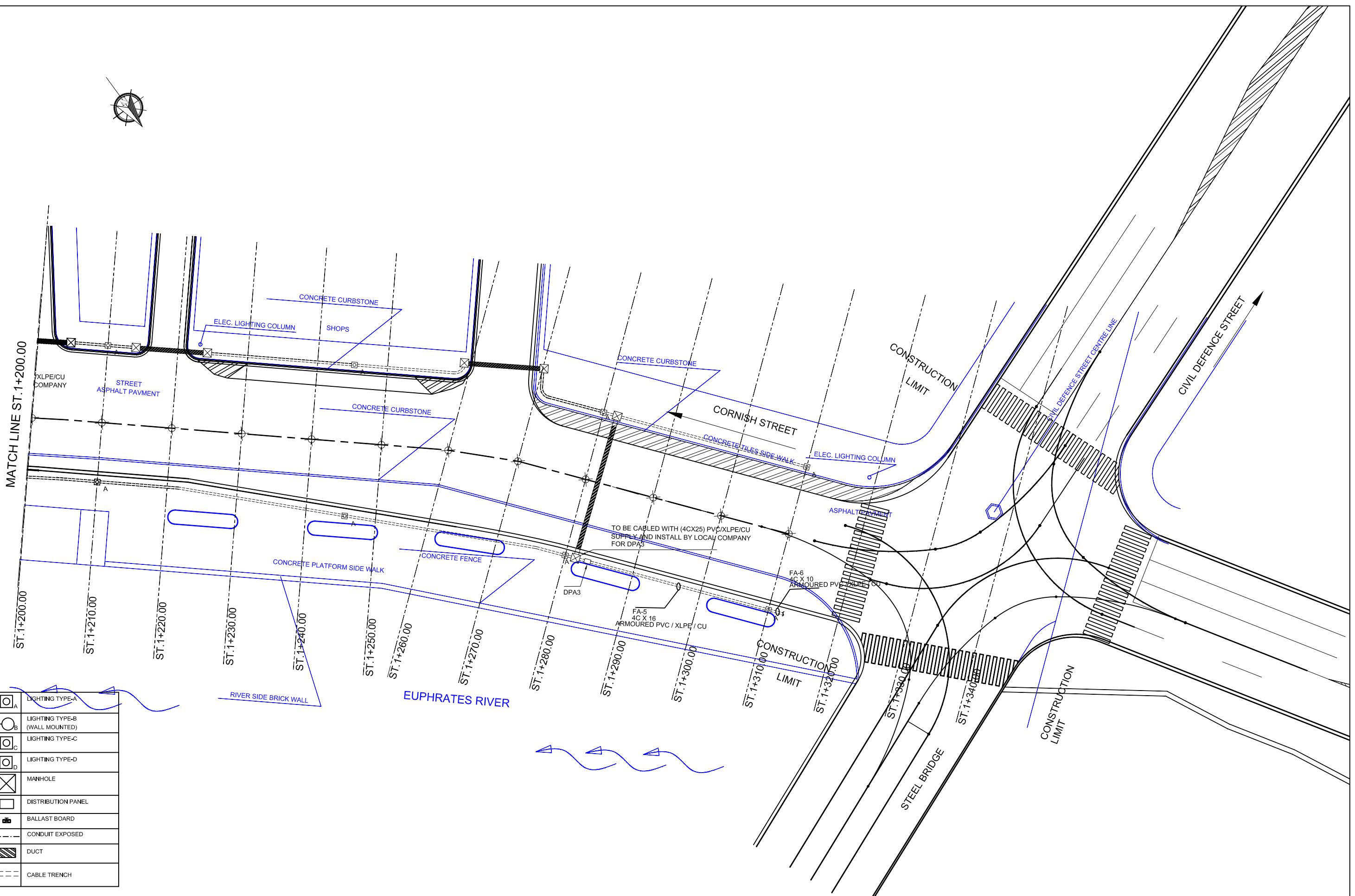


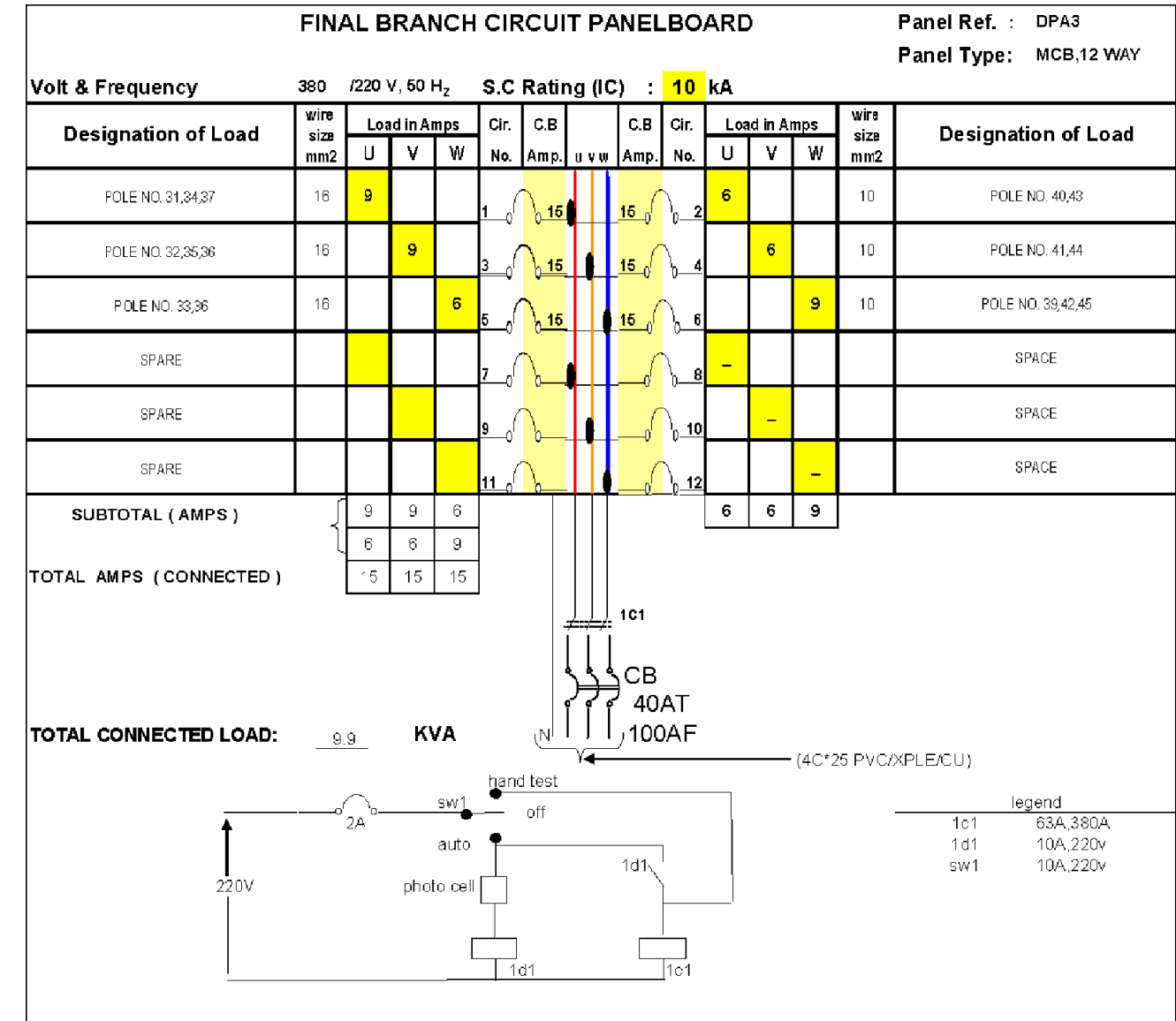
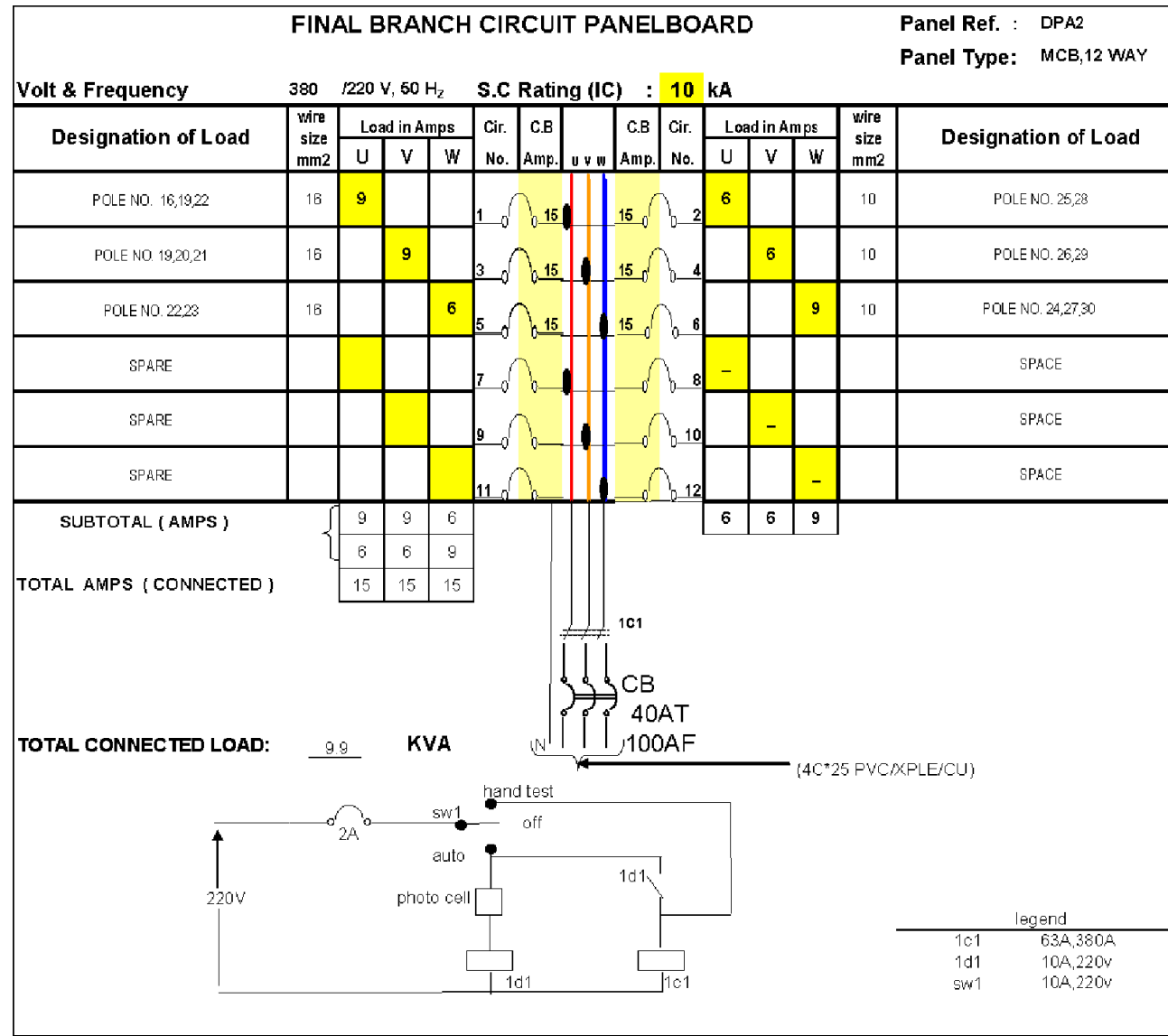
	LIGHTING TYPE-A
	LIGHTING TYPE-B (WALL MOUNTED)
	LIGHTING TYPE-C
	LIGHTING TYPE-D
	MANHOLE
	DISTRIBUTION PANEL
	BALLAST BOARD
	CONDUIT EXPOSED
	DUCT
	CABLE TRENCH

Owner: SAMAWAH MAYORALTY MUTHANNA GOVERNORATE REPUBLIC OF IRAQ	Consultant:	Client :	Project : REHABILITATION AND IMPROVEMENT OF THE ROADS AND ROAD SIDES IN SAMAWAH FOR SAMAWAH PROMENADE DEVELOPMENT PLAN	Drawing No. F-5	Rev: 0	Drawn by :
			Dwg Title: STREET LIGHTING PLAN (5-6)	Scale 1:500	Date: 8-5-2005	Checked by:

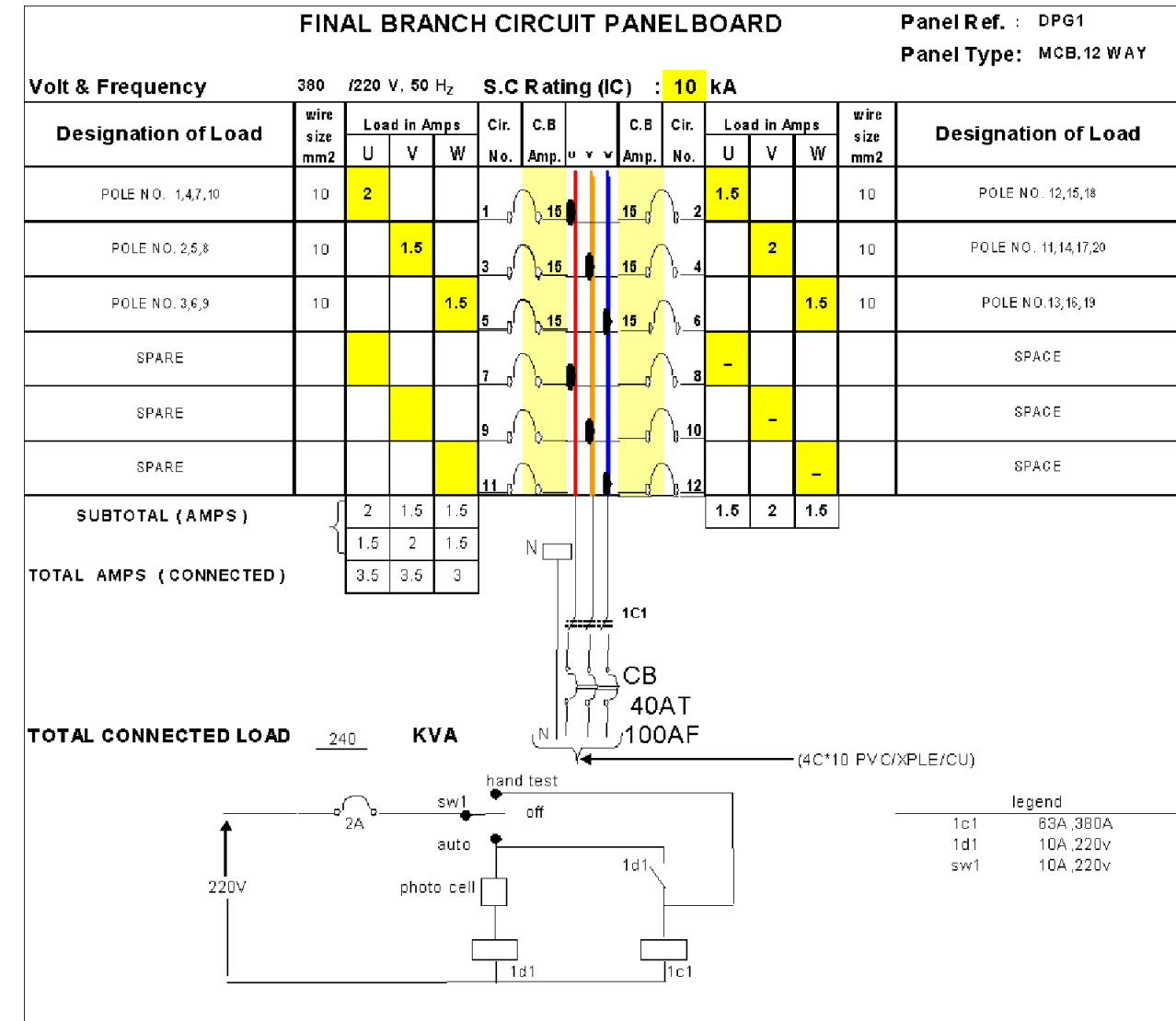
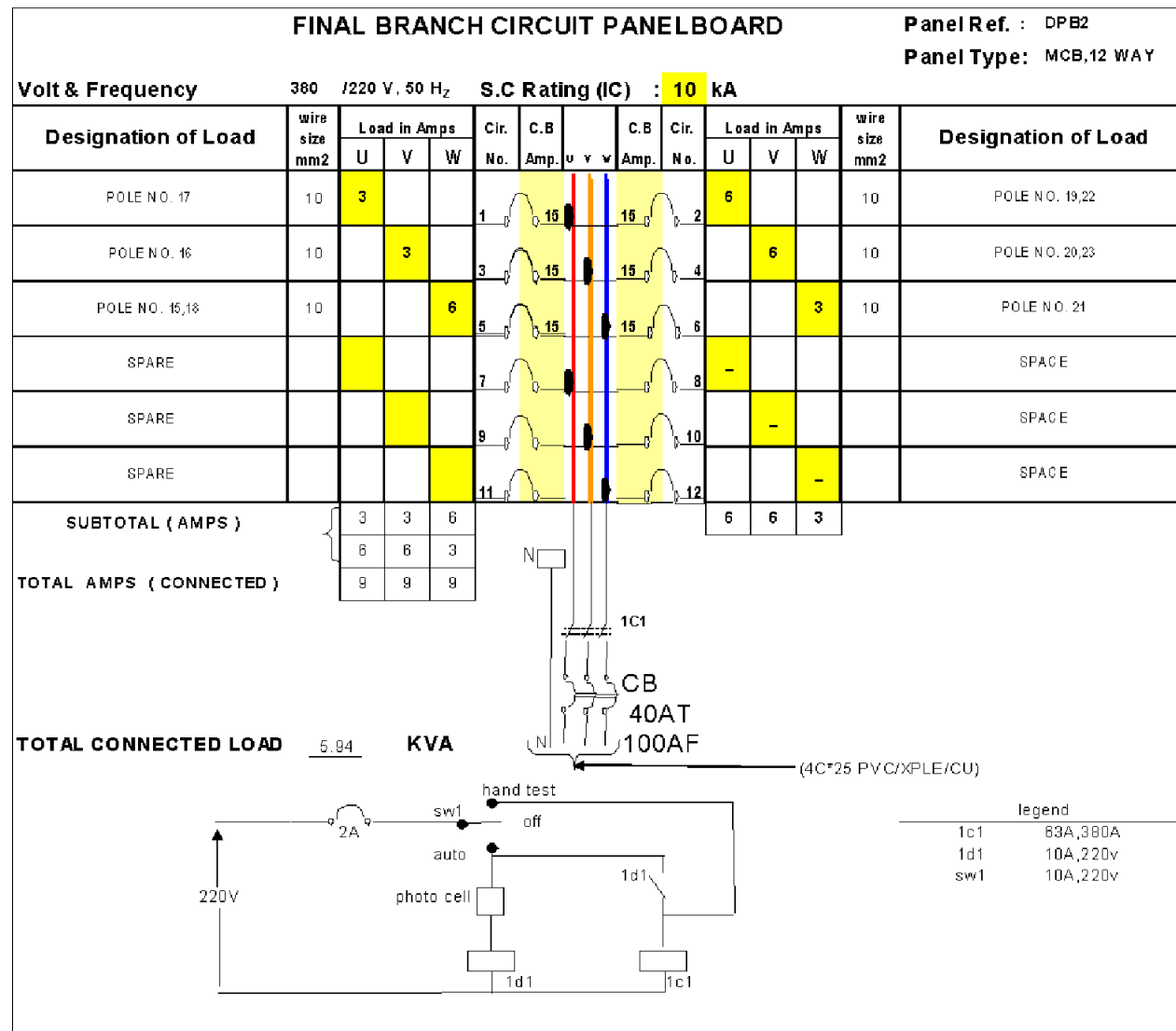


	LIGHTING TYPE-A
	LIGHTING TYPE-B (WALL MOUNTED)
	LIGHTING TYPE-C
	LIGHTING TYPE-D
	MANHOLE
	DISTRIBUTION PANEL
	BALLAST BOARD
	CONDUIT EXPOSED
	DUCT
	CABLE TRENCH

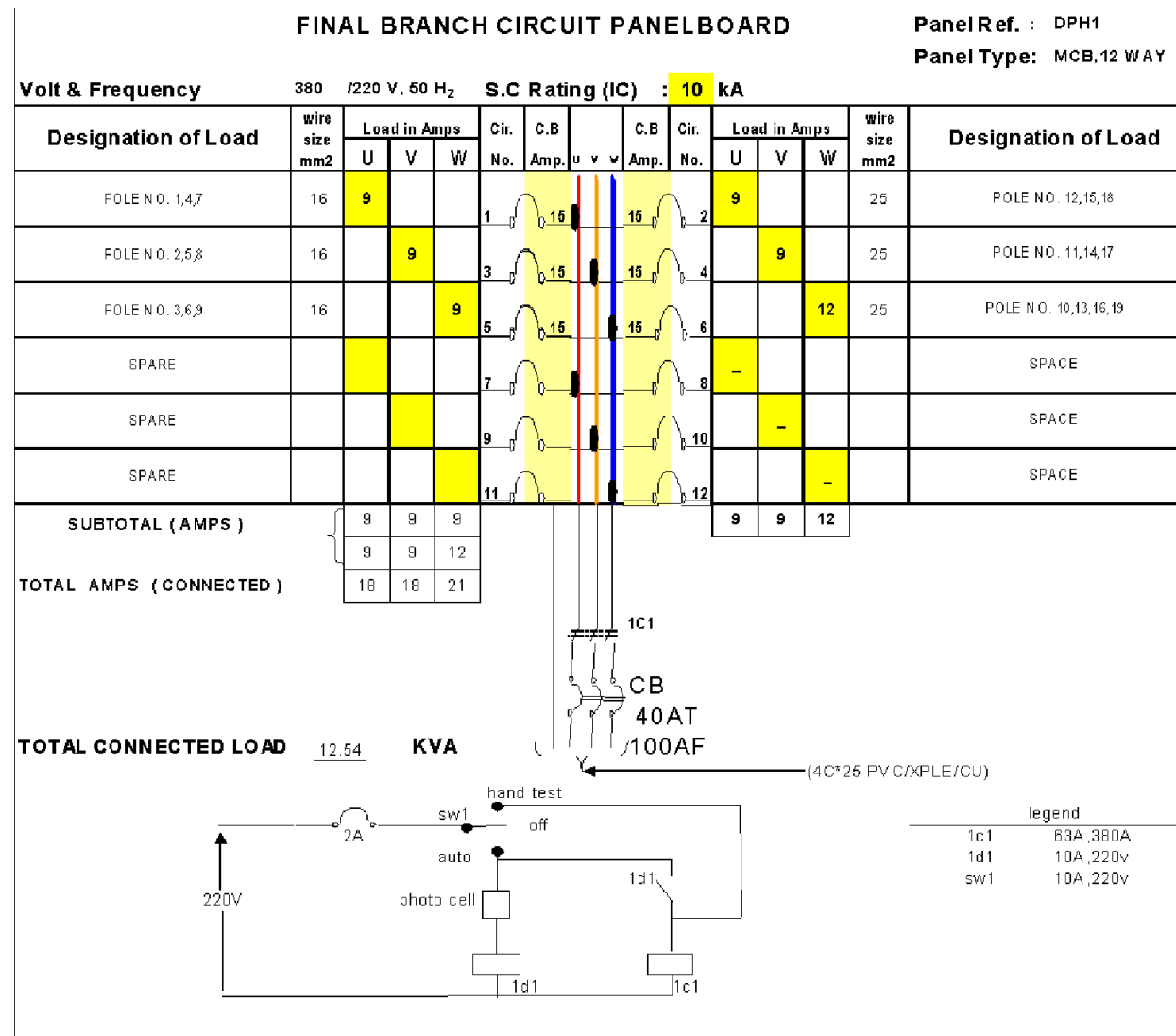
Owner: SAMAWAH MAYORALTY MUTHANNA GOVERNORATE REPUBLIC OF IRAQ	Consultant:	Client :	Project : REHABILITATION AND IMPROVEMENT OF THE ROADS AND ROAD SIDES IN SAMAWAH FOR SAMAWAH PROMENADE DEVELOPMENT PLAN	Drawing No. F-6	Rev: 0	Drawn by :
			Dwg Title: STREET LIGHTING PLAN (6-6)	Scale 1:500	Date: 8-5-2005	Checked by:



Owner: SAMAWAH MAYORALTY MUTHANNA GOVERNORATE REPUBLIC OF IRAQ	Consultant:	Client :	Project : REHABILITATION AND IMPROVEMENT OF THE ROADS AND ROAD SIDES IN SAMAWAH FOR SAMAWAH PROMENADE DEVELOPMENT PLAN	Drawing No. F-7	Rev: 0	Drawn by :
			Dwg Title: DISTRIBUTION PANELS (1-3)	Scale NOT TO SCALE	Date: 8-5-2005	Checked by:

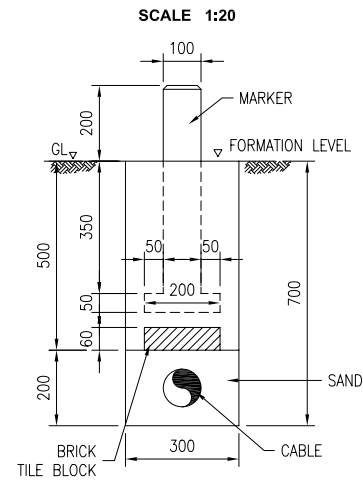


Owner:	SAMAWAH MAYORALTY MUTHANNA GOVERNORATE REPUBLIC OF IRAQ	Consultant:	Client :	Project : REHABILITATION AND IMPROVEMENT OF THE ROADS AND ROAD SIDES IN SAMAWAH FOR SAMAWAH PROMENADE DEVELOPMENT PLAN	Drawing No. F-8	Rev: 0	Drawn by :
				Dwg Title: DISTRIBUTION PANELS (2-3)	Scale NOT TO SCALE	Date: 8-5-2005	Checked by:

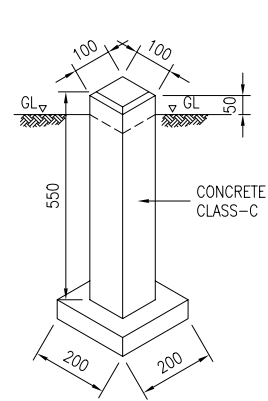


Owner:	SAMAWAH MAYORALTY MUTHANNA GOVERNORATE REPUBLIC OF IRAQ	Consultant:	Client :	Project : REHABILITATION AND IMPROVEMENT OF THE ROADS AND ROAD SIDES IN SAMAWAH FOR SAMAWAH PROMENADE DEVELOPMENT PLAN	Drawing No. F-9	Rev: 0	Drawn by :
				Dwg Title: DISTRIBUTION PANELS (3-3)	Scale NOT TO SCALE	Date: 8-5-2005	Checked by:

DIRECT BURIED CABLE DETAIL

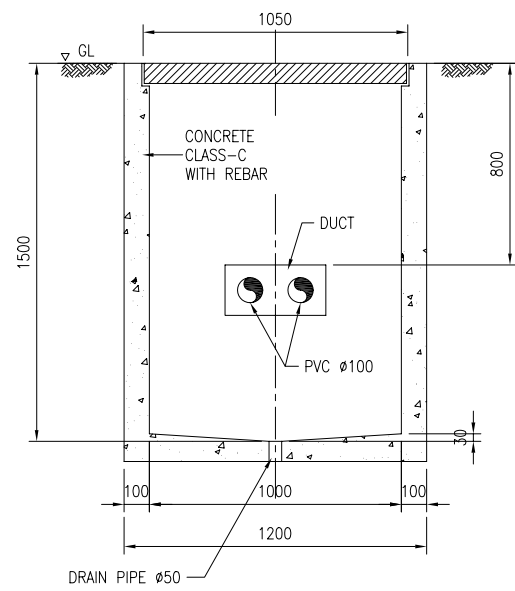


CABLE MARKER

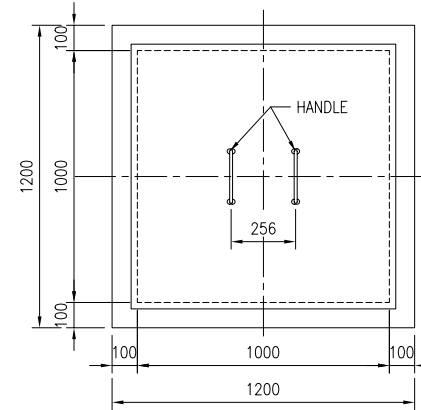


MANHOLE DETAIL

SCALE 1:30
SECTION

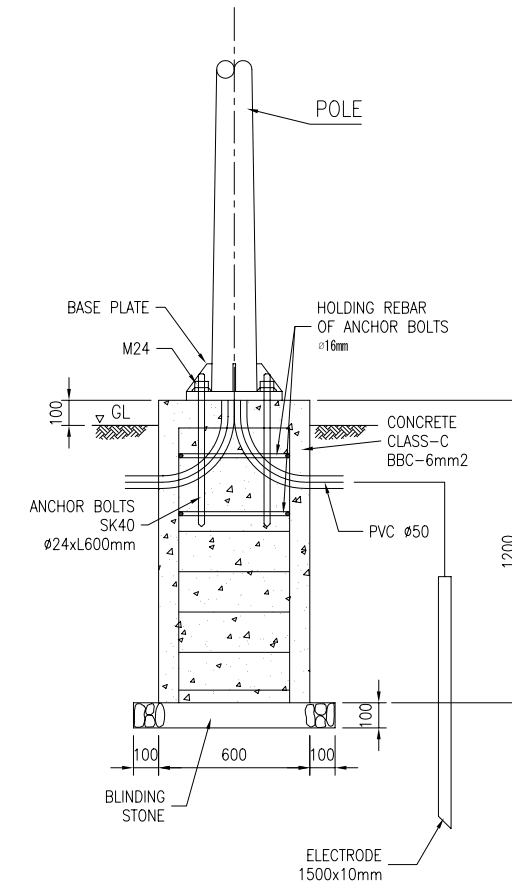


PLAN



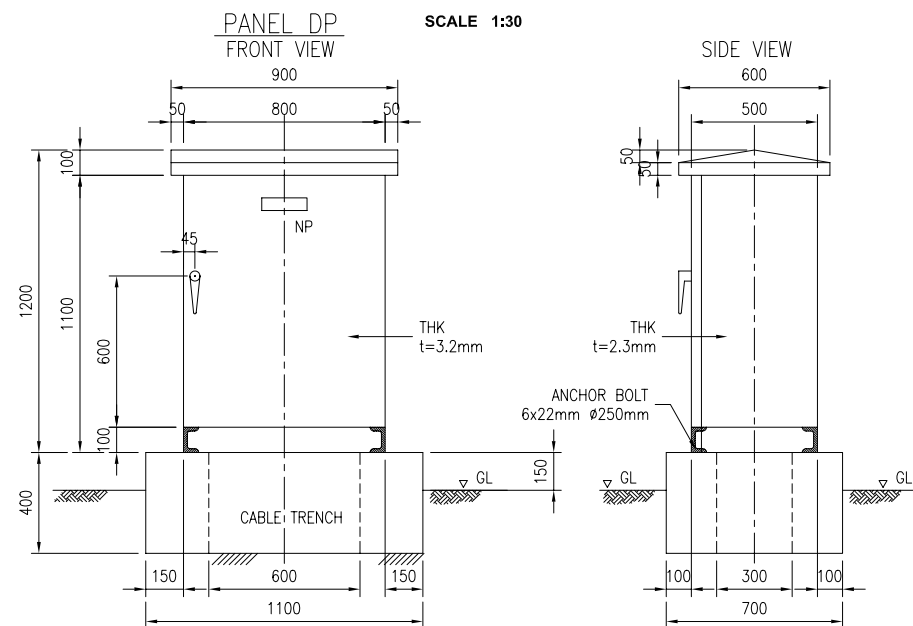
DETAIL OF POLE FOUNDATION

SCALE 1:30



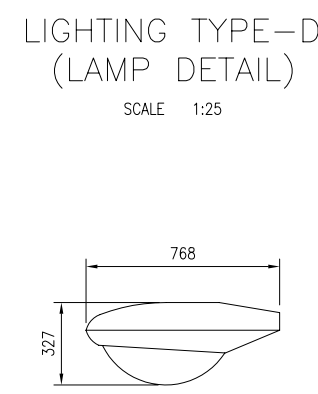
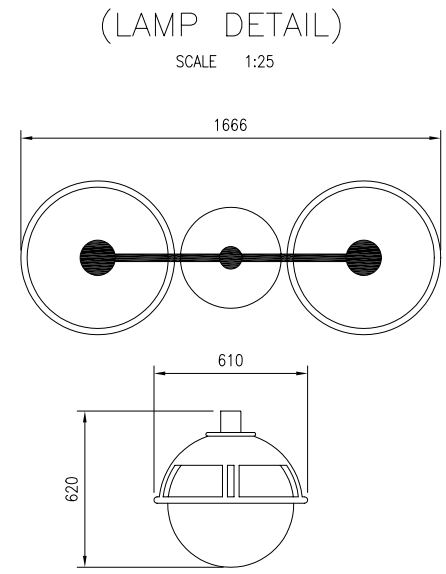
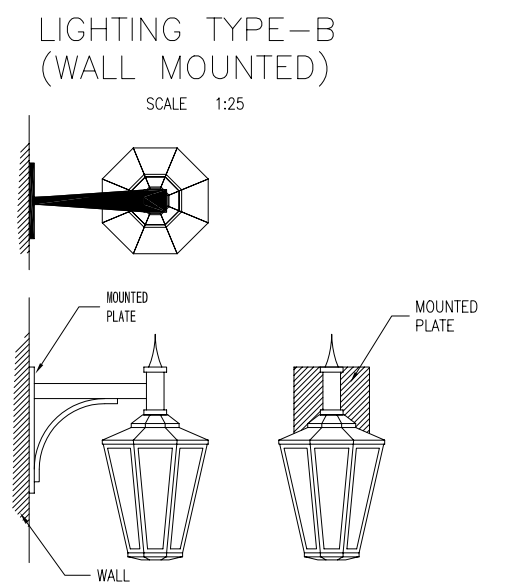
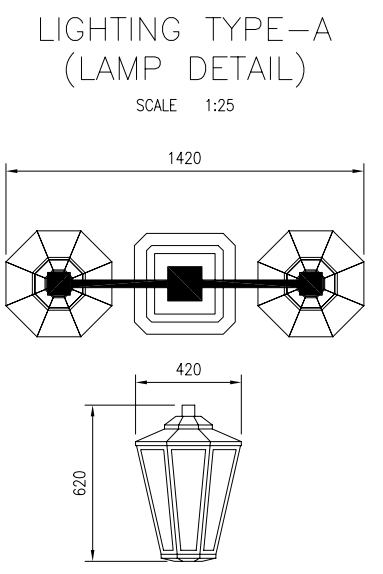
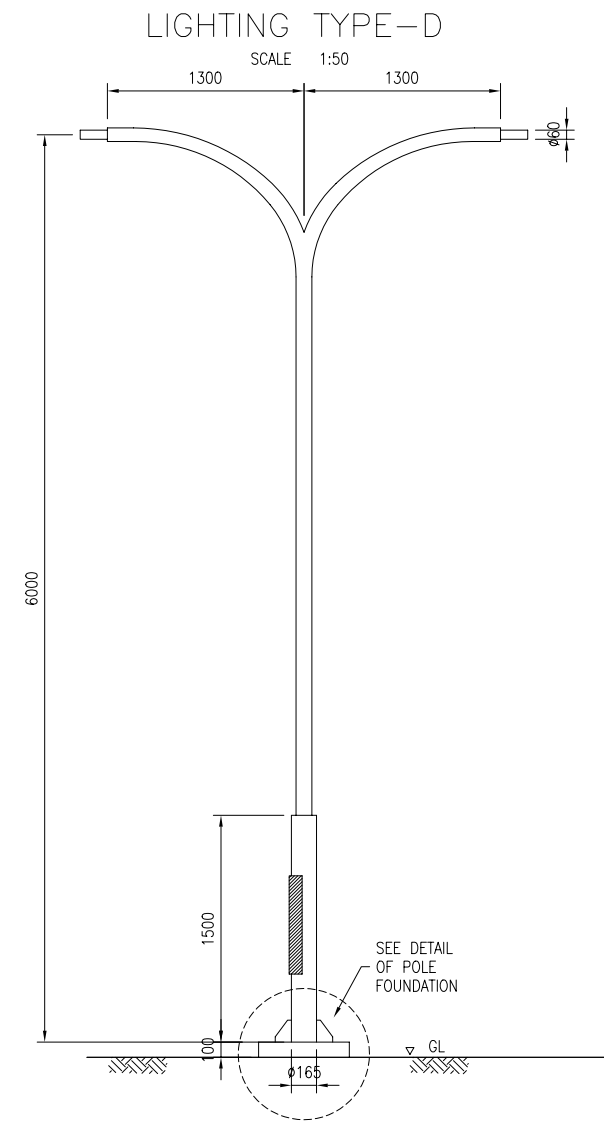
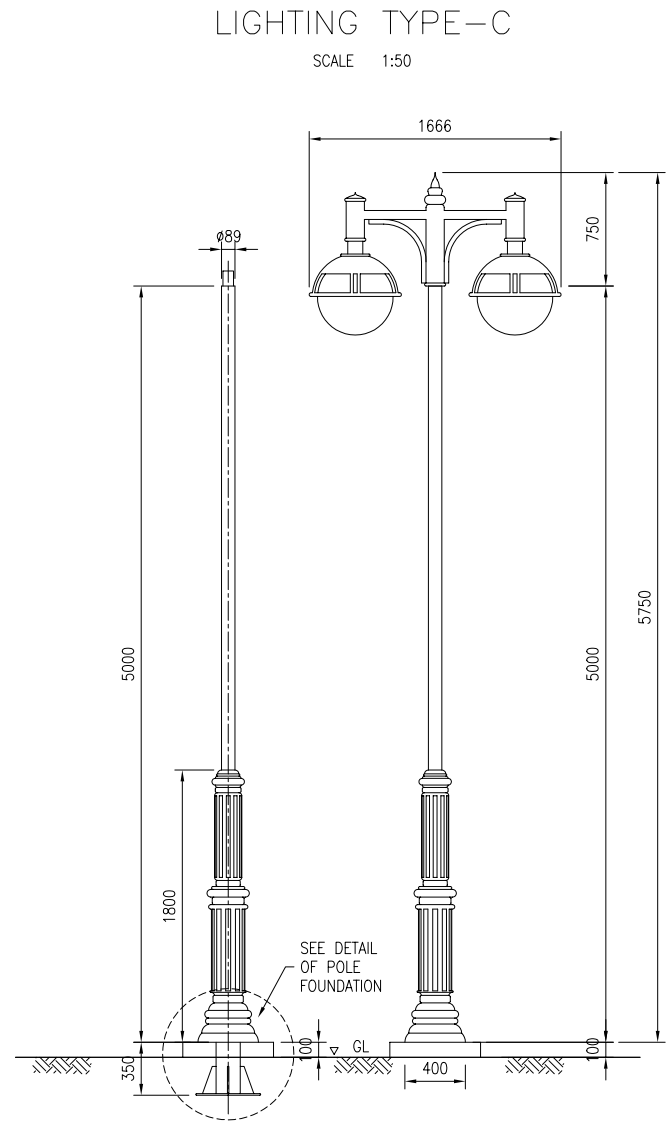
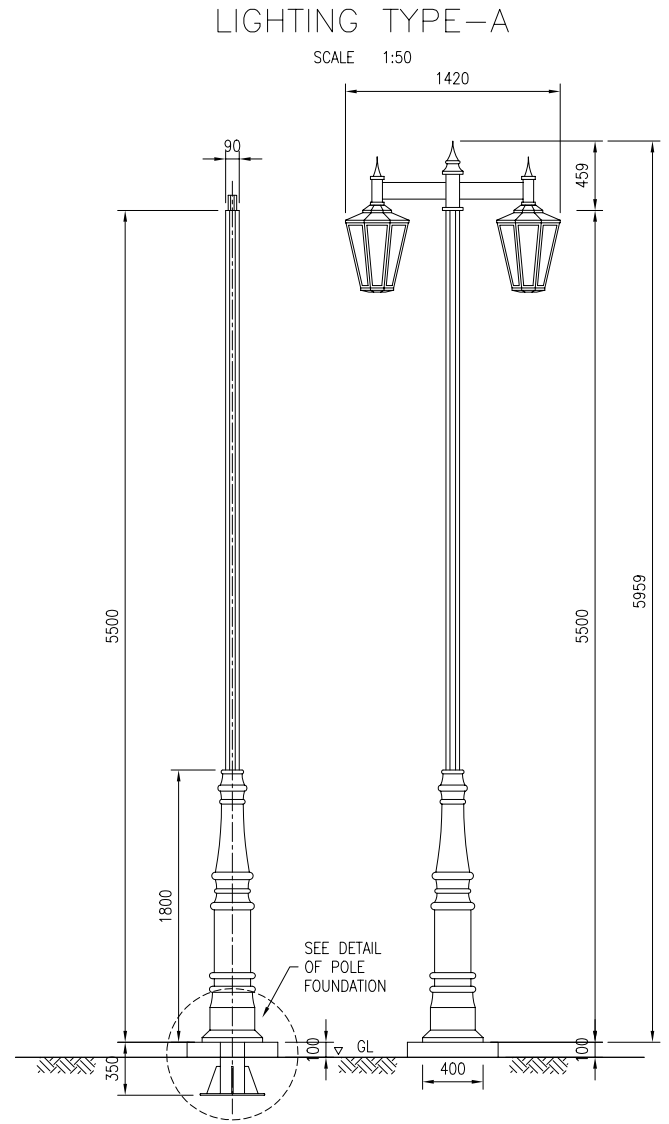
PANEL DETAIL

SCALE 1:30



Owner: SAMAWAH MAYORALTY MUTHANNA GOVERNORATE REPUBLIC OF IRAQ	Consultant:	Client :	Project : REHABILITATION AND IMPROVEMENT OF THE ROADS AND ROAD SIDES IN SAMAWAH FOR SAMAWAH PROMENADE DEVELOPMENT PLAN Dwg Title: MANHOLE, FOUNDATION, DISTRIBUTION BOARD DETAILS FOR STREET LIGHTING	Drawing No. F-10 Scale AS SHOWN	Rev: 0 Date: 8-5-2005	Drawn by : Checked by:
--	--------------------	-----------------	--	---	--	---

LIGHTING POLES DETAILS



Owner:	SAMAWAH MAYORALTY MUTHANNA GOVERNORATE REPUBLIC OF IRAQ	Consultant:	Client :	Project : REHABILITATION AND IMPROVEMENT OF THE ROADS AND ROAD SIDES IN SAMAWAH FOR SAMAWAH PROMENADE DEVELOPMENT PLAN	Drawing No. F-11	Rev: 0	Drawn by :
				Dwg Title: LIGHTING POLES DETAILS	Scale AS SHOWN	Date: 8-5-2005	Checked by:

* LEGEND OF EXISTING LANDSCAPING
(IN BLUE COLOR)

	PLANTER BOX (VARIES SIZES)
	PLANTER BOX (5X5 M)
	BIG TREE
	SMALL TREE

* LEGEND OF PROPOSED LANDSCAPING

	PROPOSED PLANTER BOX (10X2 M) TOTAL NUMBER: 15
	PROPOSED PLANTER BOX (3X3 M) TOTAL NUMBER: 21
	PALM TREE TOTAL NUMBER: 37
	BENCHES TOTAL NUMBER: 40

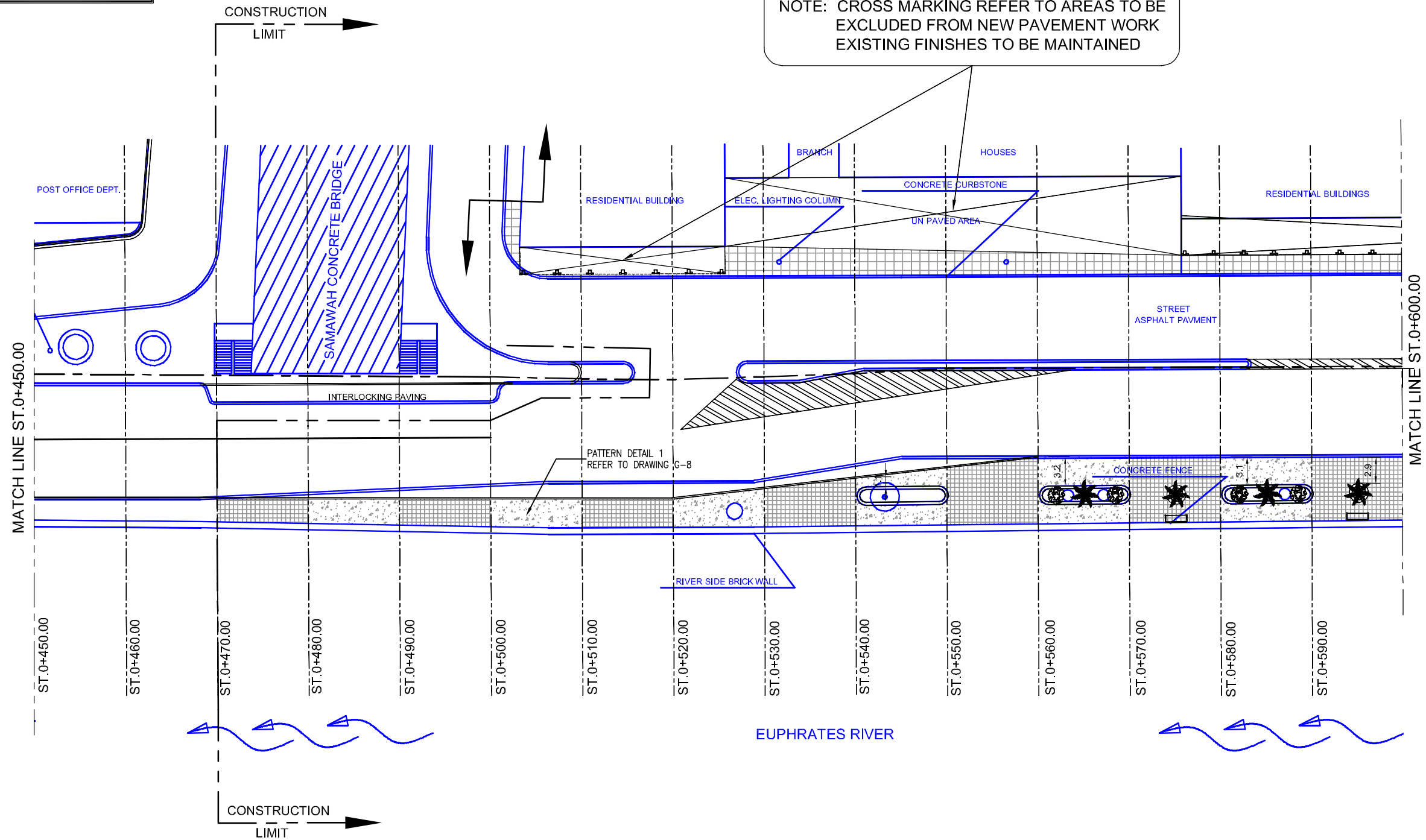
* LEGEND OF DEMOLISHED ITEMS
(IN BLUE COLOR)

	PLANTING BOX TO BE DEMOLISHED
	PLANTING BOX TO BE DEMOLISHED
	TREE TO BE CUT

NOTE: BIG TREES TO BE TRIMMED AS PER SITE

	THIS SECTION TO BE CONCRETE PAVING
	RESIDENTIAL PAVEMENT
	PAVEMENT PATTERN DETAIL 1

NOTE: CROSS MARKING REFER TO AREAS TO BE EXCLUDED FROM NEW PAVEMENT WORK
EXISTING FINISHES TO BE MAINTAINED



NOTE:
ALL THE EXISTING LAYOUTS ARE IN BLUE

Owner: SAMAWAH MAYORALTY MUTHANNA GOVERNORATE REPUBLIC OF IRAQ	Consultant:	Client :	Project :	Drawing No.	Rev:	Drawn by :
			REHABILITATION AND IMPROVEMENT OF THE ROADS AND ROAD SIDES IN SAMAWAH FOR SAMAWAH PROMENADE DEVELOPMENT PLAN	G-1	0	B.H.
			Dwg Title:	Scale	Date:	Checked by:
			SIDEWALK, PLANTING AND BENCH LAYOUT (1-6)	AS SHOWN	8-5-2005	M.J.

* LEGEND OF EXISTING LANDSCAPING
(IN BLUE COLOR)

	PLANTER BOX (VARIES SIZES)
	PLANTER BOX (5X5 M)
	BIG TREE
	SMALL TREE

* LEGEND OF PROPOSED LANDSCAPING

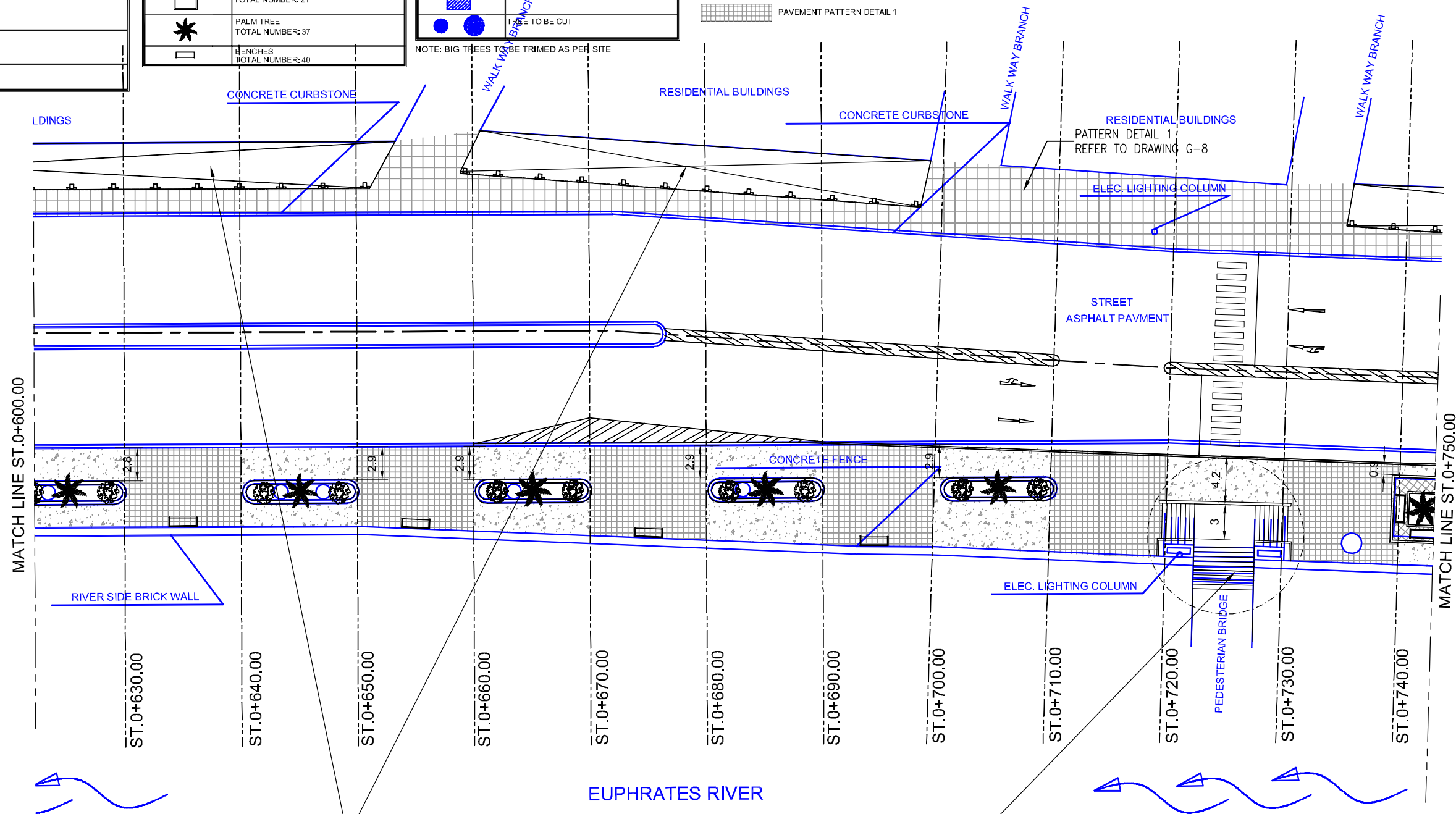
	PROPOSED PLANTER BOX (10X2 M) TOTAL NUMBER: 15
	PROPOSED PLANTER BOX (3X3 M) TOTAL NUMBER: 21
	PALM TREE TOTAL NUMBER: 37
	BENCHES TOTAL NUMBER: 40

* LEGEND OF DEMOLISHED ITEMS
(IN BLUE COLOR)

	PLANTING BOX TO BE DEMOLISHED
	PLANTING BOX TO BE DEMOLISHED
	TREE TO BE CUT

NOTE: BIG TREES TO BE TRIMMED AS PER SITE

	THIS SECTION TO BE CONCRETE PAVING
	RESIDENTIAL PAVEMENT
	PAVEMENT PATTERN DETAIL 1



NOTE: CROSS MARKING REFER TO AREAS TO BE EXCLUDED FROM NEW PAVEMENT WORK
EXISTING FINISHES TO BE MAINTAINED

NOTE:
EXISTING STEPS DOWN TO BE MODIFIED
WITH NEW FINISH TO DETAIL
REFER DWG. G-11

NOTE:
ALL THE EXISTING LAYOUTS ARE IN BLUE

C:\PRAJ\FROM APRIL 2005\WORKING DRAWINGS\111\G-1 SIDEWALK PLANTING & BENCH\111-G-1 SIDEWALK PLANTING & BENCH.DWG (2) May 11, 2005-10:00 PM

Owner: SAMAWAH MAYORALTY MUTHANNA GOVERNORATE REPUBLIC OF IRAQ	Consultant:	Client :	Project :	Drawing No.	Rev:	Drawn by :
			REHABILITATION AND IMPROVEMENT OF THE ROADS AND ROAD SIDES IN SAMAWAH FOR SAMAWAH PROMENADE DEVELOPMENT PLAN	G-2	0	B.H.
			Dwg Title:	Scale	Date:	Checked by:
			SIDEWALK, PLANTING AND BENCH LAYOUT (2-6)	AS SHOWN	8-5-2005	M.J.

* LEGEND OF EXISTING LANDSCAPING
(IN BLUE COLOR)

	PLANTER BOX (VARIES SIZES)
	PLANTER BOX (5X5 M)
	BIG TREE
	SMALL TREE

* LEGEND OF PROPOSED LANDSCAPING

	PROPOSED PLANTER BOX (10X2 M) TOTAL NUMBER: 15
	PROPOSED PLANTER BOX (3X3 M) TOTAL NUMBER: 21
	PALM TREE TOTAL NUMBER: 37
	BENCHES TOTAL NUMBER: 40

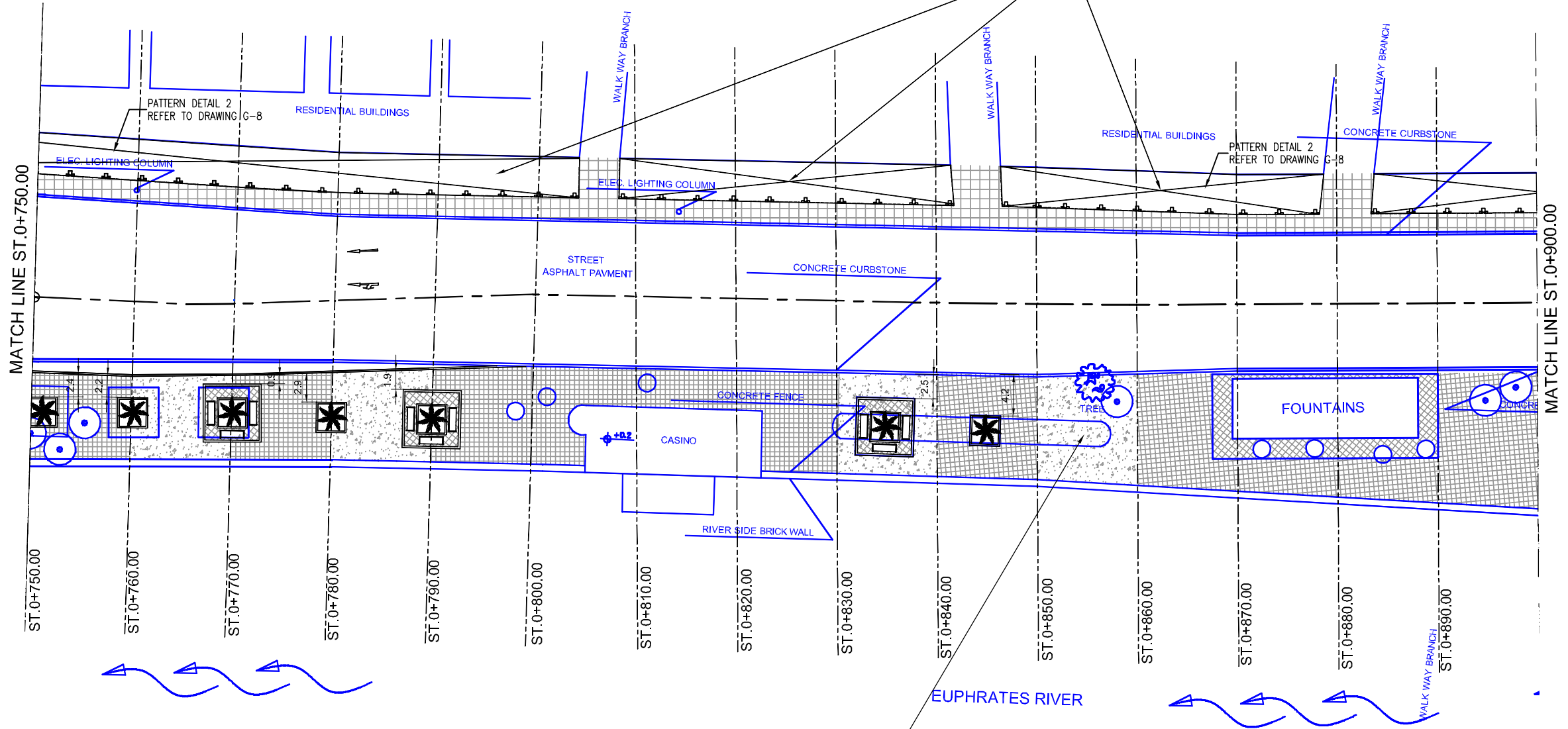
* LEGEND OF DEMOLISHED ITEMS
(IN BLUE COLOR)

	PLANTING BOX TO BE DEMOLISHED
	PLANTING BOX TO BE DEMOLISHED
	TREE TO BE CUT

NOTE: BIG TREES TO BE TRIMMED AS PER SITE

	THIS SECTION TO BE CONCRETE PAVING
	RESIDENTIAL PAVEMENT
	PAVEMENT PATTERN DETAIL 1

NOTE: CROSS MARKING REFER TO AREAS TO BE EXCLUDED FROM NEW PAVEMENT WORK
EXISTING FINISHES TO BE MAINTAINED



NOTE:
ALL THE EXISTING LAYOUTS ARE IN BLUE

NOTE:
REMOVE EDGE OF EXISTING PLANTING
AREA FOR PAVEMENT

C:\IPRAC\FROM APRIL 2005 WORKING DRAWINGS (11) G-1 SIDEWALK PLANTING & BENCH\G-1 SIDEWALK PLANTING & BENCH.DWG (3) May 11, 2005 10:01 PM

Owner: SAMAWAH MAYORALTY MUTHANNA GOVERNORATE REPUBLIC OF IRAQ	Consultant:	Client :	Project :	Drawing No.	Rev:	Drawn by :
			REHABILITATION AND IMPROVEMENT OF THE ROADS AND ROAD SIDES IN SAMAWAH FOR SAMAWAH PROMENADE DEVELOPMENT PLAN	G-3	0	B.H.
			Dwg Title:	Scale	Date:	Checked by:
			SIDEWALK, PLANTING AND BENCH LAYOUT (3-6)	AS SHOWN	8-5-2005	M.J.