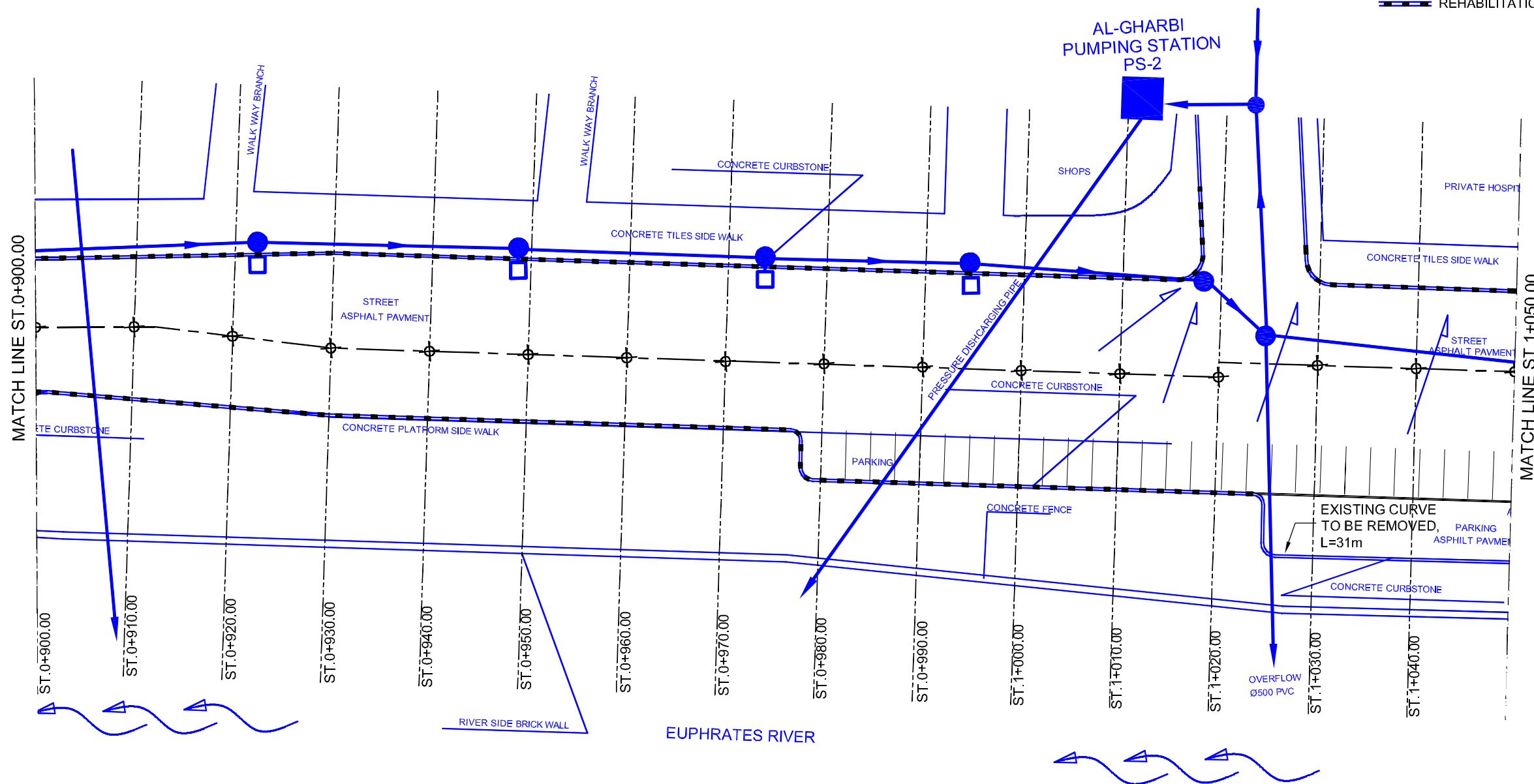




- LEGEND:
- EXISTING PIPE
 - EXISTING INLET
 - EXISTING INLET TO BE DEMOLISHED
 - EXISTING MANHOLE
 - NEW PIPE
 - NEW INLET
 - NEW MANHOLE
 - REHABILITATION OF EXISTING CURB



NOTE:

ALL THE EXISTING LAYOUTS ARE IN BLUE
ALL THE PROPOSED LAYOUT ARE IN BLACK

NOTE:

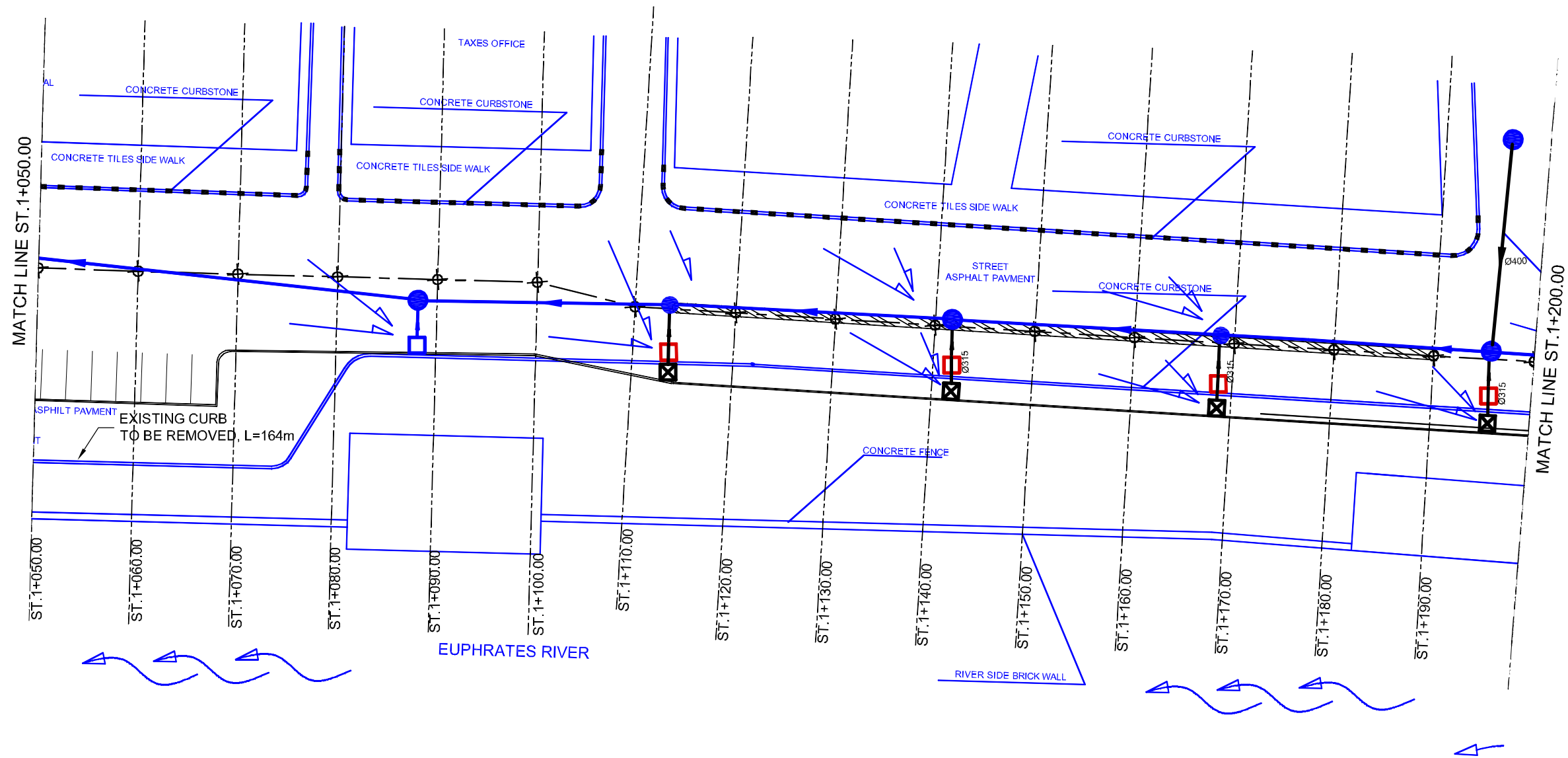
UNLESS THE INVERT ELEVATION IS INDICATED ON THE DRAWING, THE INVERT ELEVATION OF NEW INLETS AND/OR MANHOLE SHOULD BE DECIDED ON SITE, BASED ON THE INVERT ELEVATION OF EXISTING INLETS & MANHOLE WITH A CONSIDERATION OF NEW PIPE GRADIENT OF MINIMUM 0.2 %.

C:\PRAJ\FROM APRIL 2005\WORKING DRAWINGS\104\3-D\1\ DRAINAGE SYSTEM PLANNING (4) May 11, 2005 8:05 PM

Owner: SAMAWAH MAYORALTY MUTHANNA GOVERNORATE REPUBLIC OF IRAQ	Consultant:	Client :	Project : REHABILITATION AND IMPROVEMENT OF THE ROADS AND ROAD SIDES IN SAMAWAH FOR SAMAWAH PROMENADE DEVELOPMENT PLAN	Drawing No. D-4	Rev:	Drawn by :
			Dwg Title: DRAINAGE SYSTEM OF CORNISH STREET (4-6)	Scale AS SHOWN	Date:	Checked by:



- LEGEND:
- EXISTING PIPE
 - EXISTING INLET
 - EXISTING INLET TO BE DEMOLISHED
 - EXISTING MANHOLE
 - NEW PIPE
 - NEW INLET
 - ⊗ NEW MANHOLE
 - REHABILITATION OF EXISTING CURB



NOTE:

ALL THE EXISTING LAYOUTS ARE IN BLUE
 ALL THE PROPOSED LAYOUT ARE IN BLACK

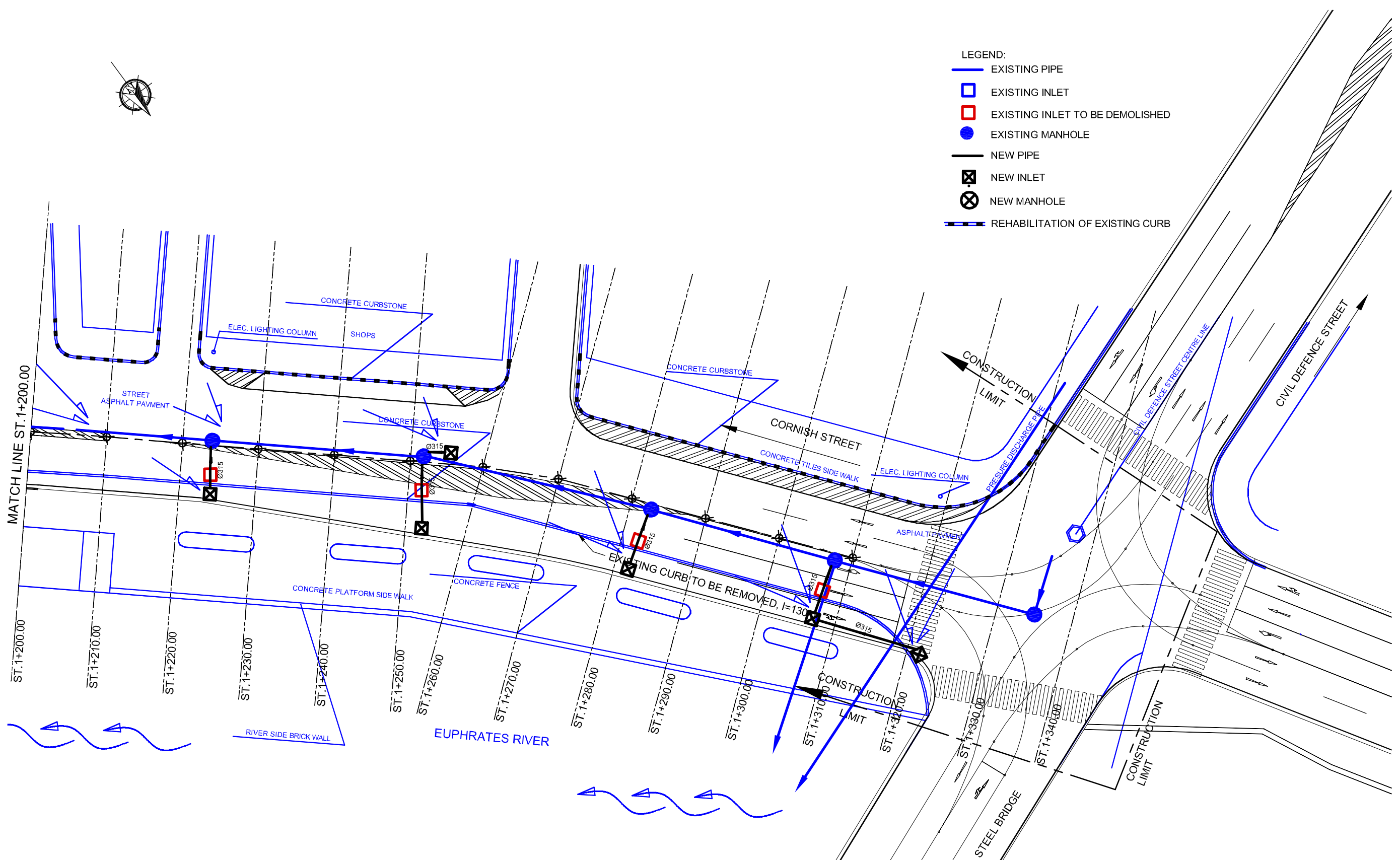
NOTE:

UNLESS THE INVERT ELEVATION IS INDICATED ON THE DRAWING, THE INVERT ELEVATION OF NEW INLETS AND/OR MANHOLE SHOULD BE DECIDED ON SITE, BASED ON THE INVERT ELEVATION OF EXISTING INLETS & MANHOLE WITH A CONSIDERATION OF NEW PIPE GRADIENT OF MINIMUM 0.2 %.

Owner: SAMAWAH MAYORALTY MUTHANNA GOVERNORATE REPUBLIC OF IRAQ	Consultant:	Client :	Project : REHABILITATION AND IMPROVEMENT OF THE ROADS AND ROAD SIDES IN SAMAWAH FOR SAMAWAH PROMENADE DEVELOPMENT PLAN	Drawing No. D-5	Rev:	Drawn by :
			Dwg Title: DRAINAGE SYSTEM OF CORNISH STREET (5-6)	Scale AS SHOWN	Date:	Checked by:



- LEGEND:
- EXISTING PIPE
 - EXISTING INLET
 - EXISTING INLET TO BE DEMOLISHED
 - EXISTING MANHOLE
 - NEW PIPE
 - NEW INLET
 - NEW MANHOLE
 - REHABILITATION OF EXISTING CURB



NOTE:
ALL THE EXISTING LAYOUTS ARE IN BLUE
ALL THE PROPOSED LAYOUT ARE IN BLACK

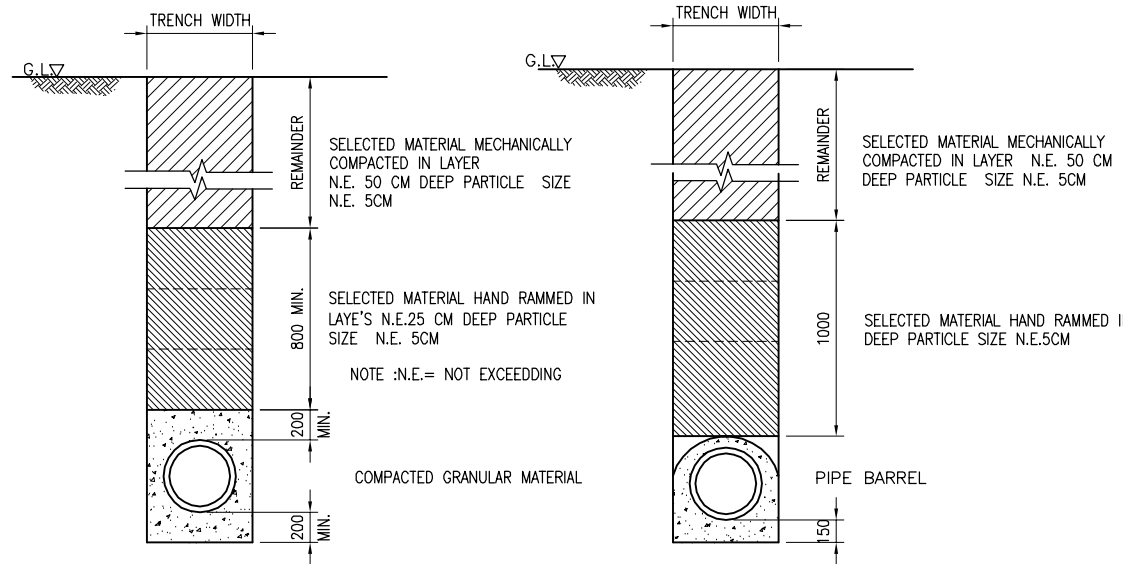
NOTE:
 UNLESS THE INVERT ELEVATION IS INDICATED ON THE DRAWING, THE INVERT ELEVATION OF NEW INLETS AND/OR MANHOLE SHOULD BE DECIDED ON SITE, BASED ON THE INVERT ELEVATION OF EXISTING INLETS & MANHOLE WITH A CONSIDERATION OF NEW PIPE GRADIENT OF MINIMUM 0.2 %.

C:\I\BAG\FROM APRIL 2005\WORKING DRAWINGS\104\3-D\1\ DRAINAGE SYSTEM PLAN\DWG (6). May 11, 2006 4:01 PM

Owner: SAMAWAH MAYORALTY MUTHANNA GOVERNORATE REPUBLIC OF IRAQ	Consultant:	Client :	Project :	Drawing No.	Rev:	Drawn by :
			Dwg Title:	D-6		Checked by:
			REHABILITATION AND IMPROVEMENT OF THE ROADS AND ROAD SIDES IN SAMAWAH FOR SAMAWAH PROMENADE DEVELOPMENT PLAN	Scale	Date:	
			DRAINAGE SYSTEM OF CORNISH STREET (6-6)	AS SHOWN		

SPECIFIED SCHEDULE OF BACKFILLING OF PIPE EXCAVATIONS

SCALE 1:50

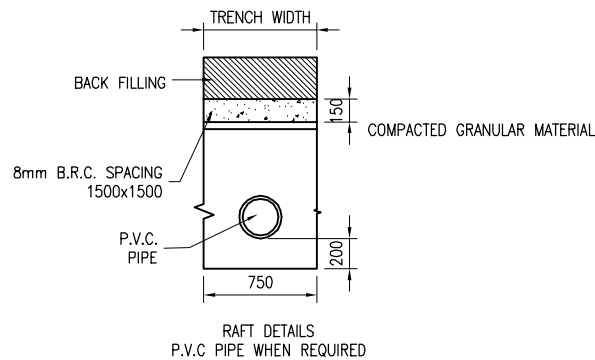


METHOD A

TRENCH OVER PIPE LAID WITHOUT CONCRETE PROTECTION

METHOD B

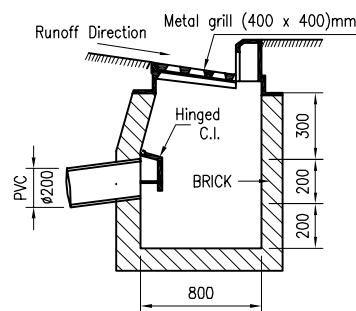
TRENCH OVER PIPE LAID WITH CONCRETE PROTECTION (BEDDING HAUNCHING & COMPLETE SURROUND)



RAFT DETAILS
P.V.C PIPE WHEN REQUIRED

COMPACTED GRANULAR MATERIAL

MIXTURE OF COARSE SANDS AND GRAVELS WITH MAX PARTICLE SIZE OF 20MM INCLUDING VARIOUSLY GRADED SANDS AND GRAVELS CONTAINING SMALL PERCENTAGES OF FINE GENERALLY GRANULAR AND NON COHESIVE EITHER WET OR DRY

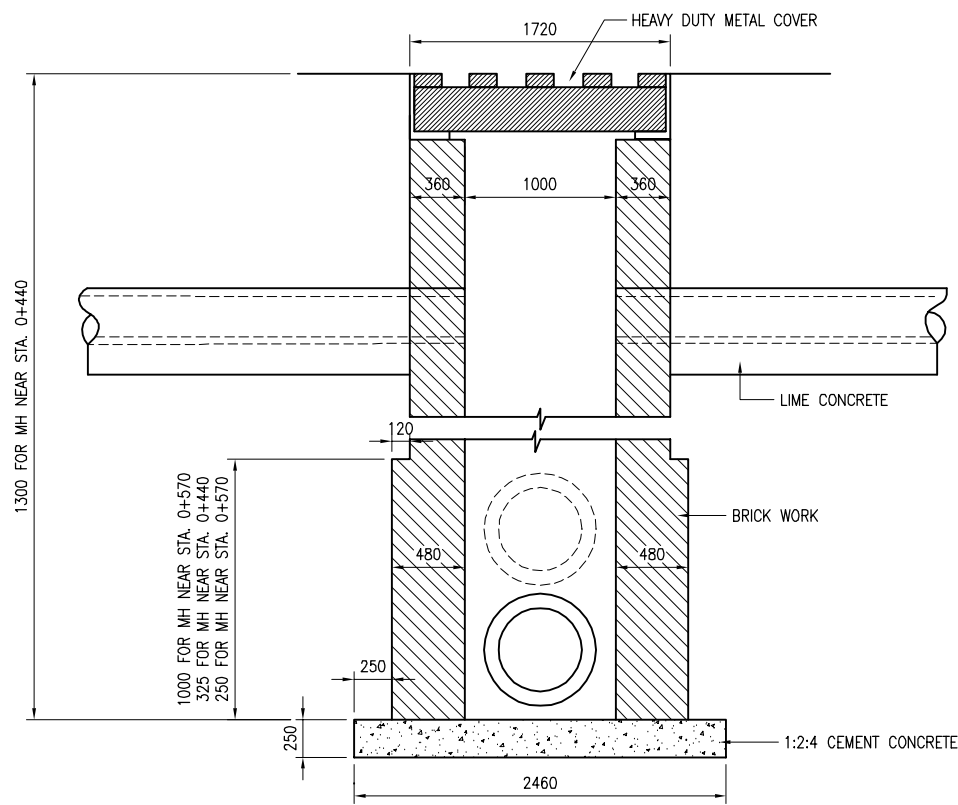


Detail of Squared Catch Basin (Inlet) 800x800 -Type B

MANHOLE DETAIL

SECTION X-X

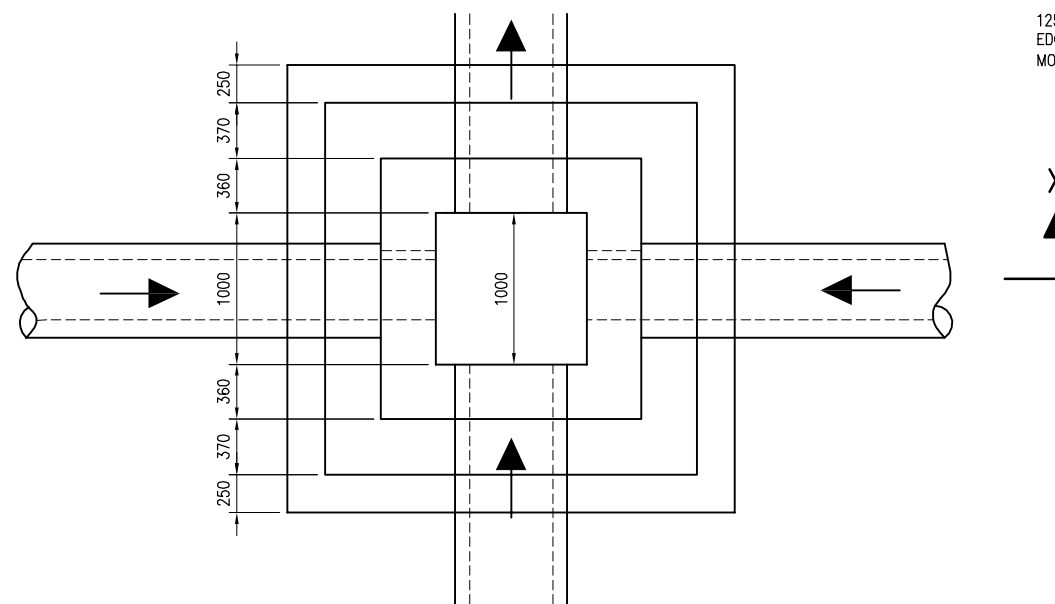
SCALE 1:50



NOTE:
THE CROWN LEVEL OF THE OUTLET PIPE SHOULD BE THE INVERT OF THE LOWEST INLET PIPE

PLAN

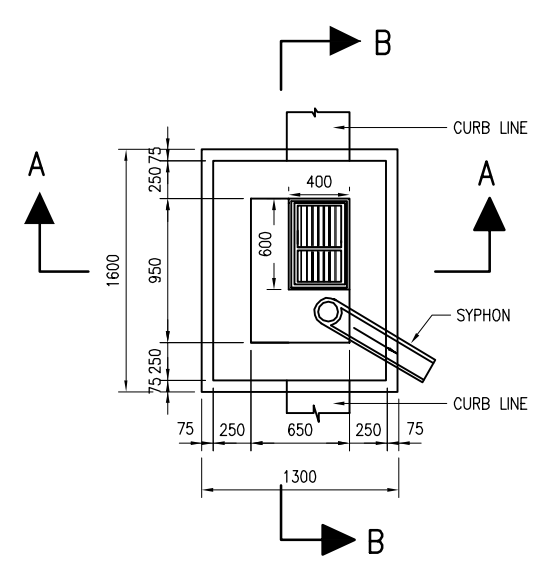
SCALE 1:50



CATCH BASIN (INLET)

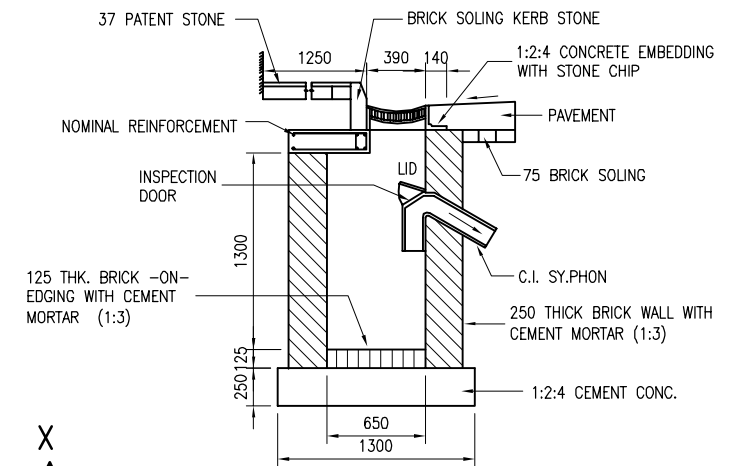
PLAN

SCALE 1:50



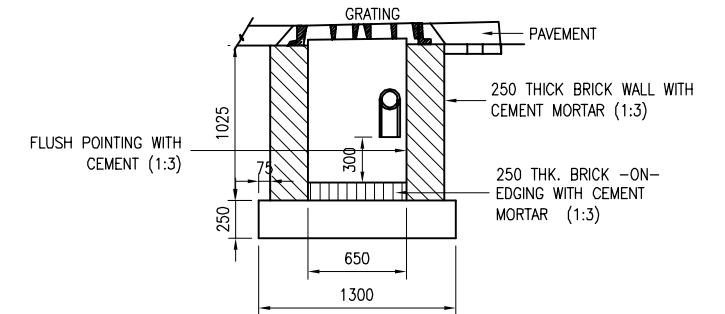
SECTION A-A

SCALE 1:50



SECTION B-B

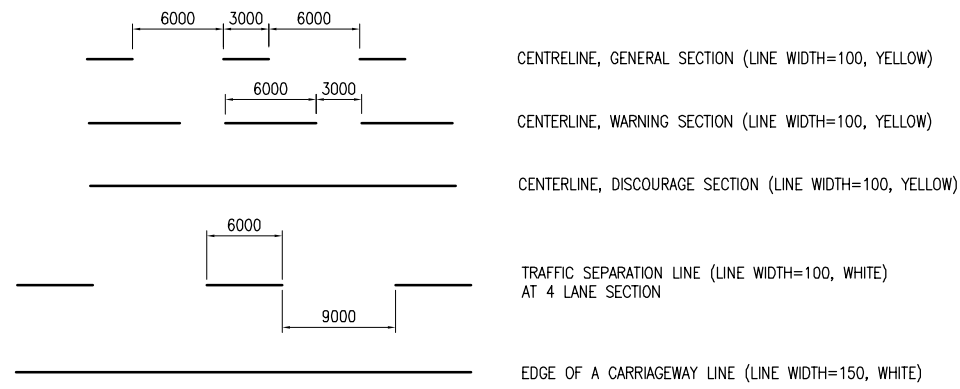
SCALE 1:50



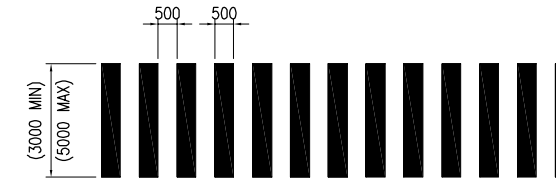
Owner: SAMAWAH MAYORALTY MUTHANNA GOVERNORATE REPUBLIC OF IRAQ	Consultant:	Client :	Project : REHABILITATION AND IMPROVEMENT OF THE ROADS AND ROAD SIDES IN SAMAWAH FOR SAMAWAH PROMENADE DEVELOPMENT PLAN	Drawing No. D-7	Rev:	Drawn by :
			Dwg Title: DETAIL OF INLET, MANHOLE AND BACKFILLING METHOD OF PIPE EXCAVATION	Scale AS SHOWN	Date:	Checked by:

ROAD MARKING DETAILS

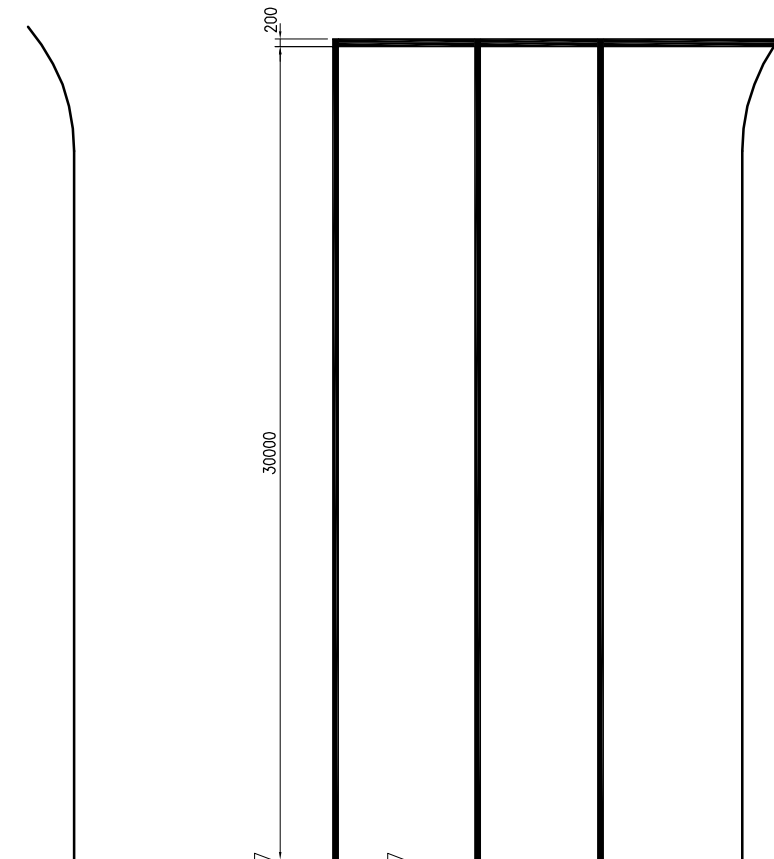
LINE MARKINGS



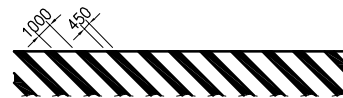
PEDESTRIAN CROSSING MARKING



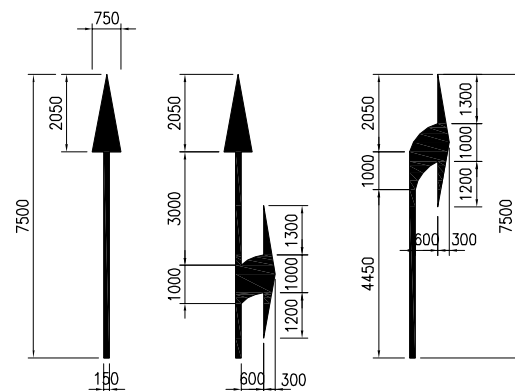
STOP LINE MARKING



ZEBRA MARKING



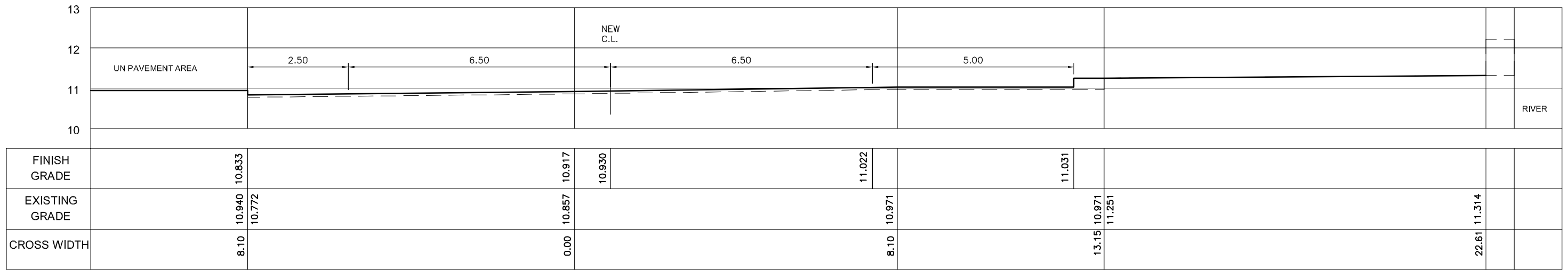
ARROWS



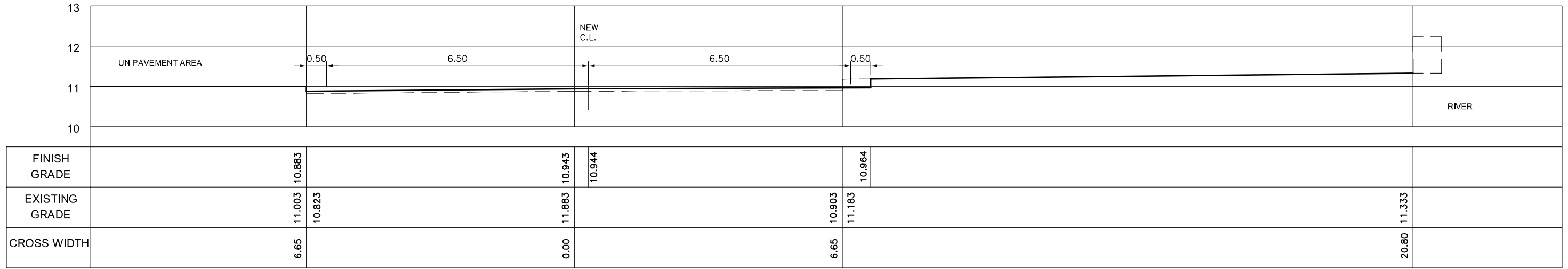
C:\IRAQ\FROM APRIL 2005\WORKING DRAWINGS\05\ E-01 ROAD MARKING DETAILS.DWG Modified: May 05, 2005 4:38 PM

Owner: SAMAWAH MAYORALTY MUTHANNA GOVERNORATE REPUBLIC OF IRAQ	Consultant:	Client :	Project : REHABILITATION AND IMPROVEMENT OF THE ROADS AND ROAD SIDES IN SAMAWAH FOR SAMAWAH PROMENADE DEVELOPMENT PLAN	Drawing No. E-1	Rev:	Drawn by :
			Dwg Title: ROAD MARKING DETAILS	Scale AS SHOWN	Date:	Checked by:

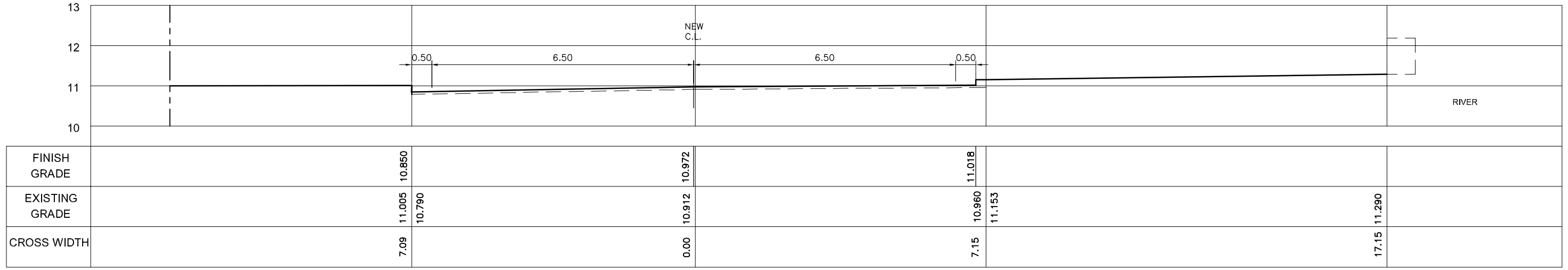
C:\PAC\FROM APRIL 2015 WORKING DRAWINGS\106A E-03 CROSS SECTION.DWG (1) May 11, 2005-2:20 AM



STA. 1+000



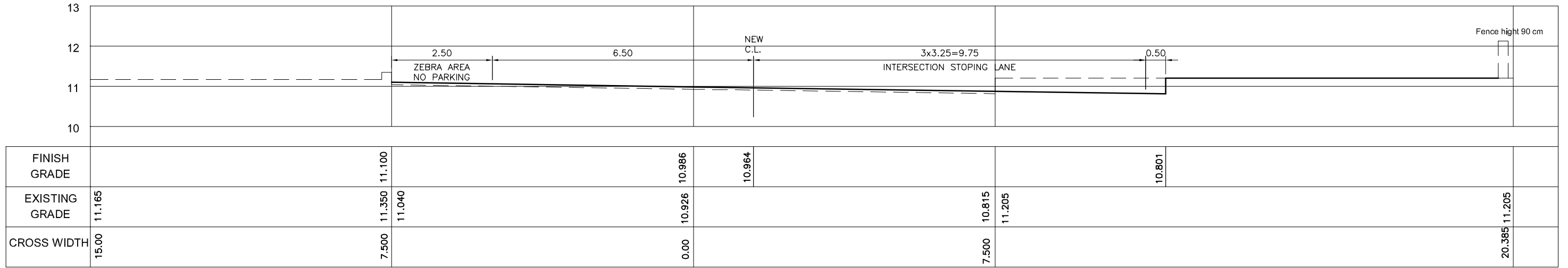
STA. 0+900



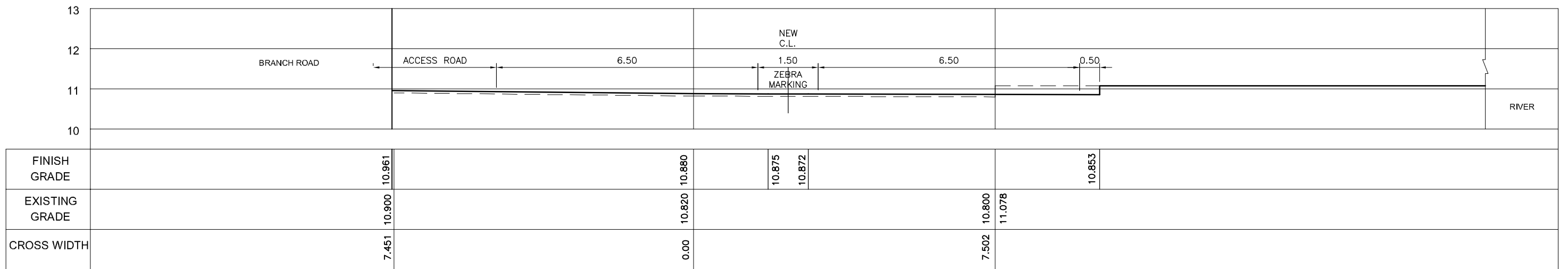
STA. 0+800

Owner: SAMAWAH MAYORALTY MUTHANNA GOVERNORATE REPUBLIC OF IRAQ	Consultant:	Client :	Project : REHABILITATION AND IMPROVEMENT OF THE ROADS AND ROAD SIDES IN SAMAWAH FOR SAMAWAH PROMENADE DEVELOPMENT PLAN	Drawing No. E-2	Rev:	Drawn by :
			Dwg Title: CORNISH STREET CROSS SECTION (1/2)	Scale 1:100	Date:	Checked by:

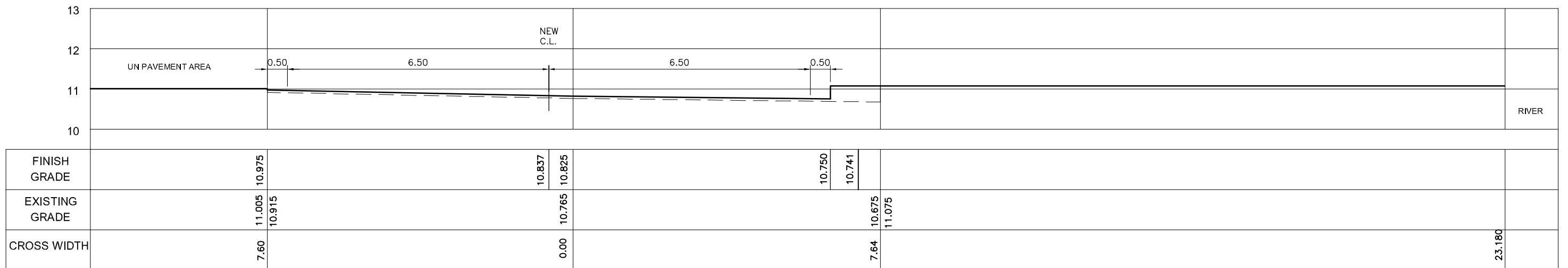
C:\PAC\FROM APRIL 2015 WORKING DRAWINGS\06A E-03 CROSS SECTION.DWG (2) May 11, 2015 2:20 AM



STA. 1+300

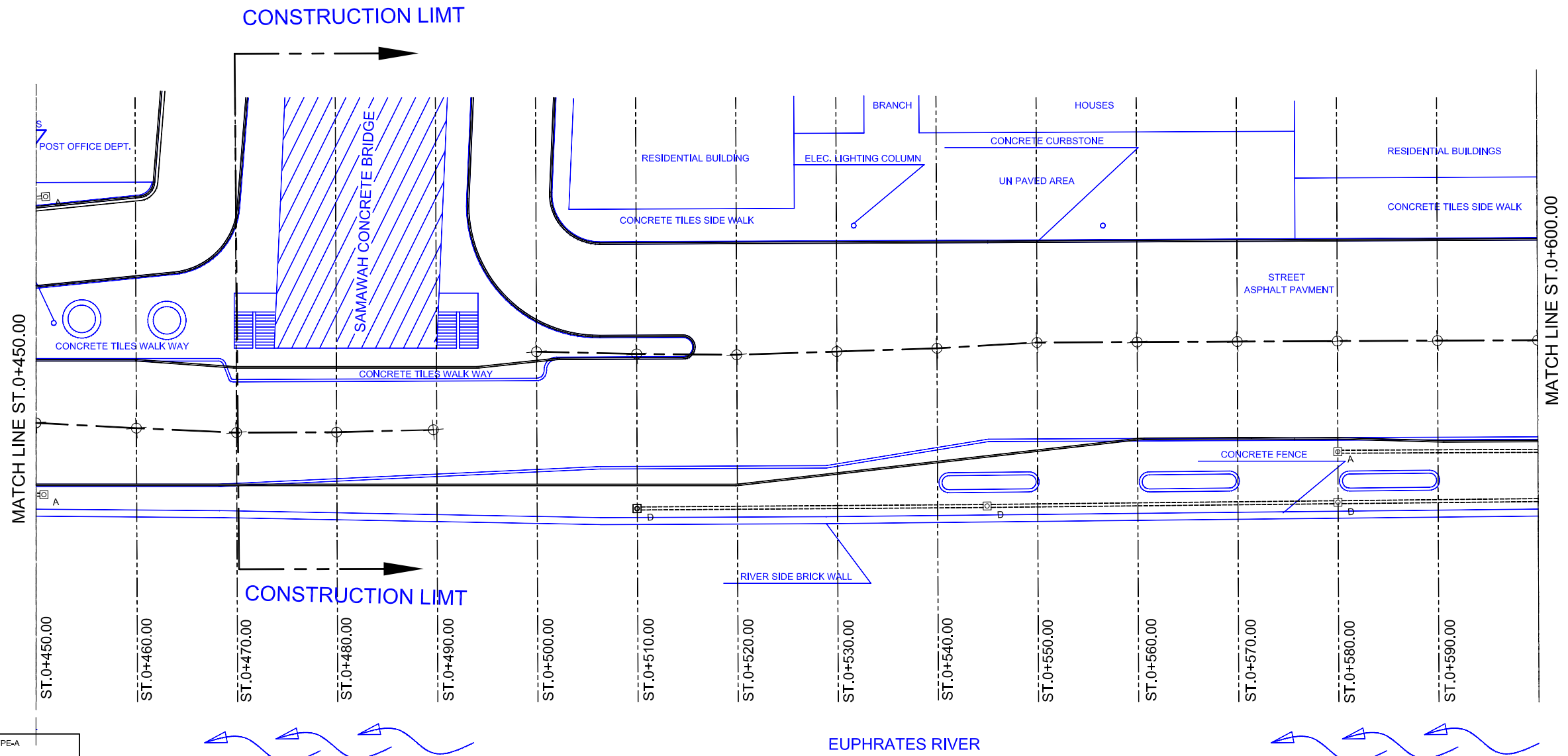


STA. 1+200



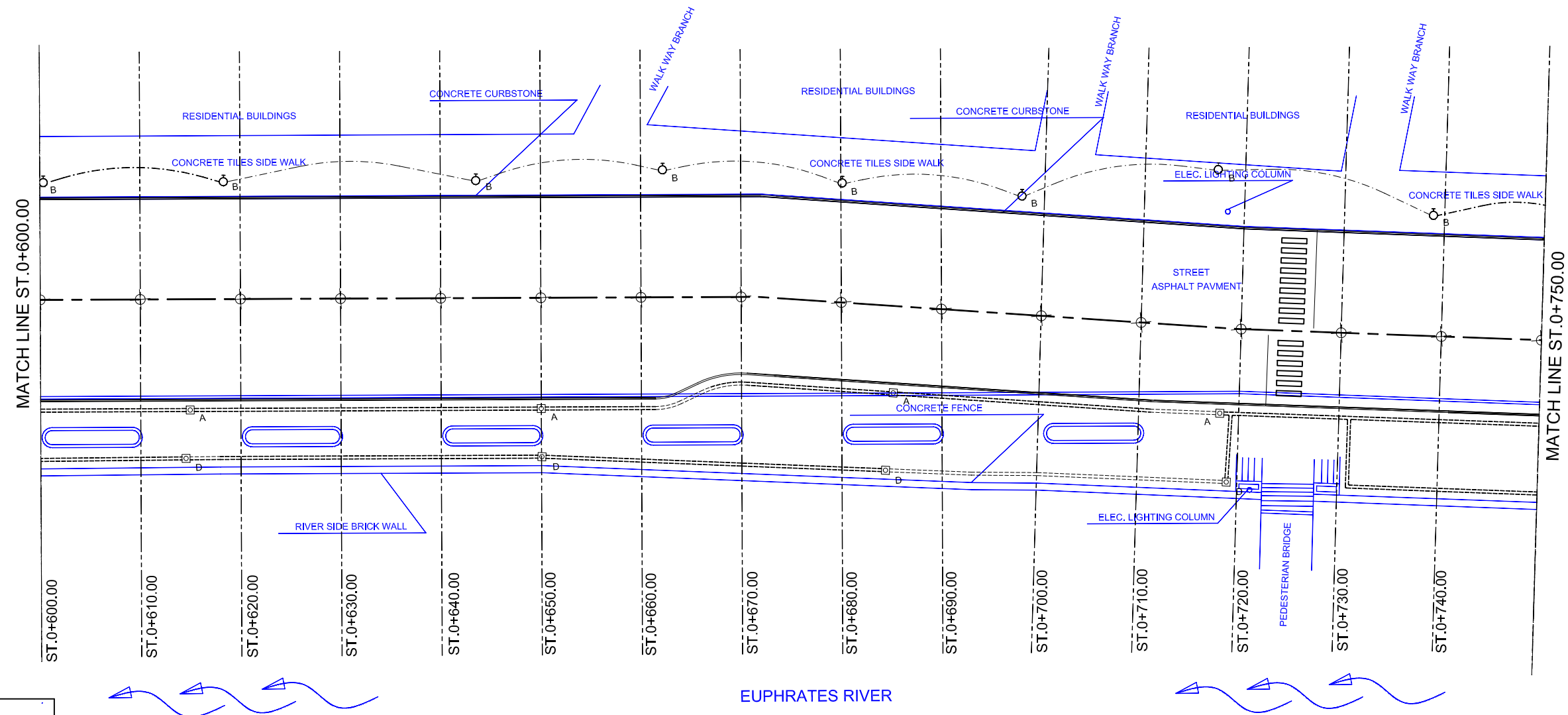
STA. 1+100

Owner: SAMAWAH MAYORALTY MUTHANNA GOVERNORATE REPUBLIC OF IRAQ	Consultant:	Client :	Project : REHABILITATION AND IMPROVEMENT OF THE ROADS AND ROAD SIDES IN SAMAWAH FOR SAMAWAH PROMENADE DEVELOPMENT PLAN	Drawing No. E-3	Rev:	Drawn by :
			Dwg Title: CORNISH STREET CROSS SECTION (2/2)	Scale 1:100	Date:	Checked by:



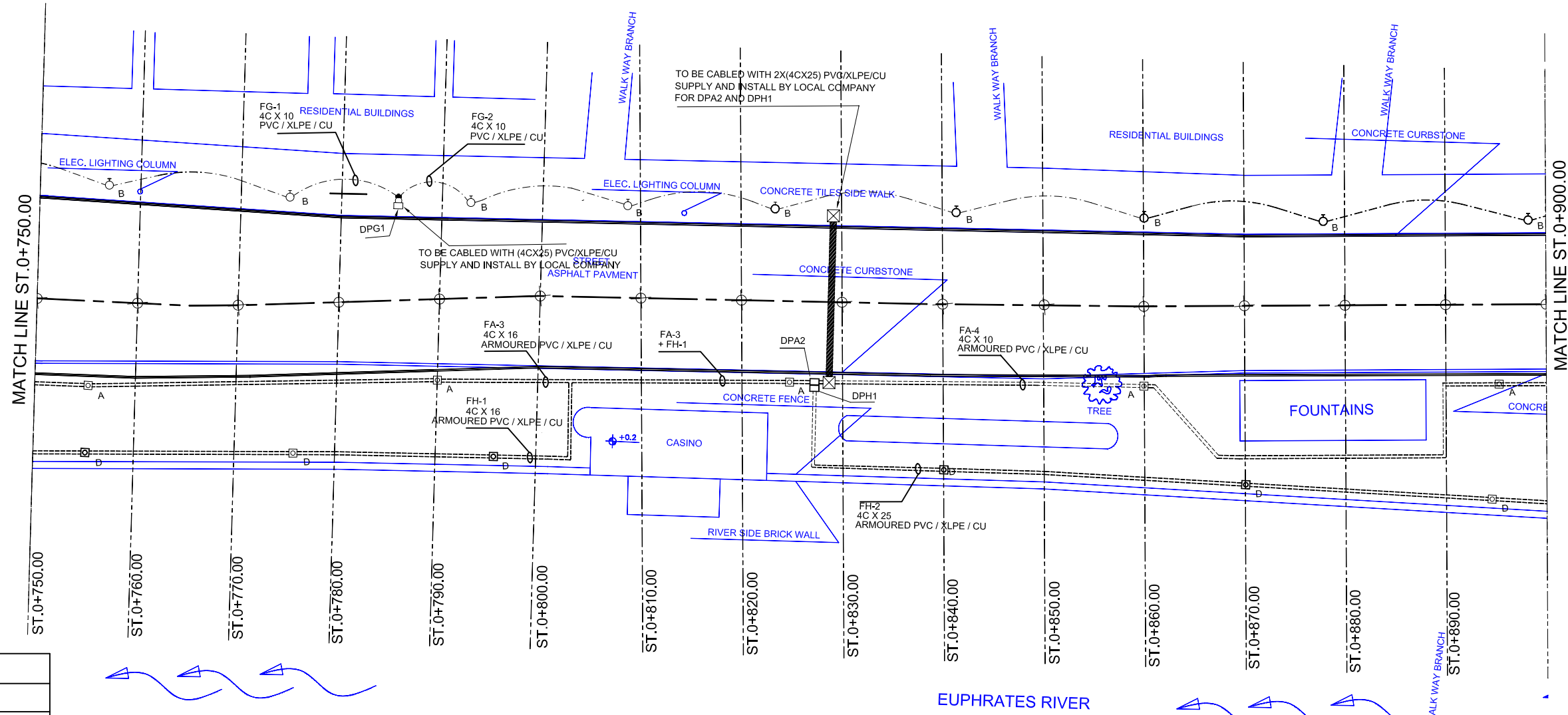
	LIGHTING TYPE-A
	LIGHTING TYPE-B (WALL MOUNTED)
	LIGHTING TYPE-C
	LIGHTING TYPE-D
	MANHOLE
	DISTRIBUTION PANEL
	BALLAST BOARD
	CONDUIT EXPOSED
	DUCT
	CABLE TRENCH

Owner: SAMAWAH MAYORALTY MUTHANNA GOVERNORATE REPUBLIC OF IRAQ	Consultant:	Client :	Project : REHABILITATION AND IMPROVEMENT OF THE ROADS AND ROAD SIDES IN SAMAWAH FOR SAMAWAH PROMENADE DEVELOPMENT PLAN	Drawing No. F-1	Rev: 0	Drawn by :
			Dwg Title: STREET LIGHTING PLAN (1-6)	Scale 1:500	Date: 8-5-2005	Checked by:



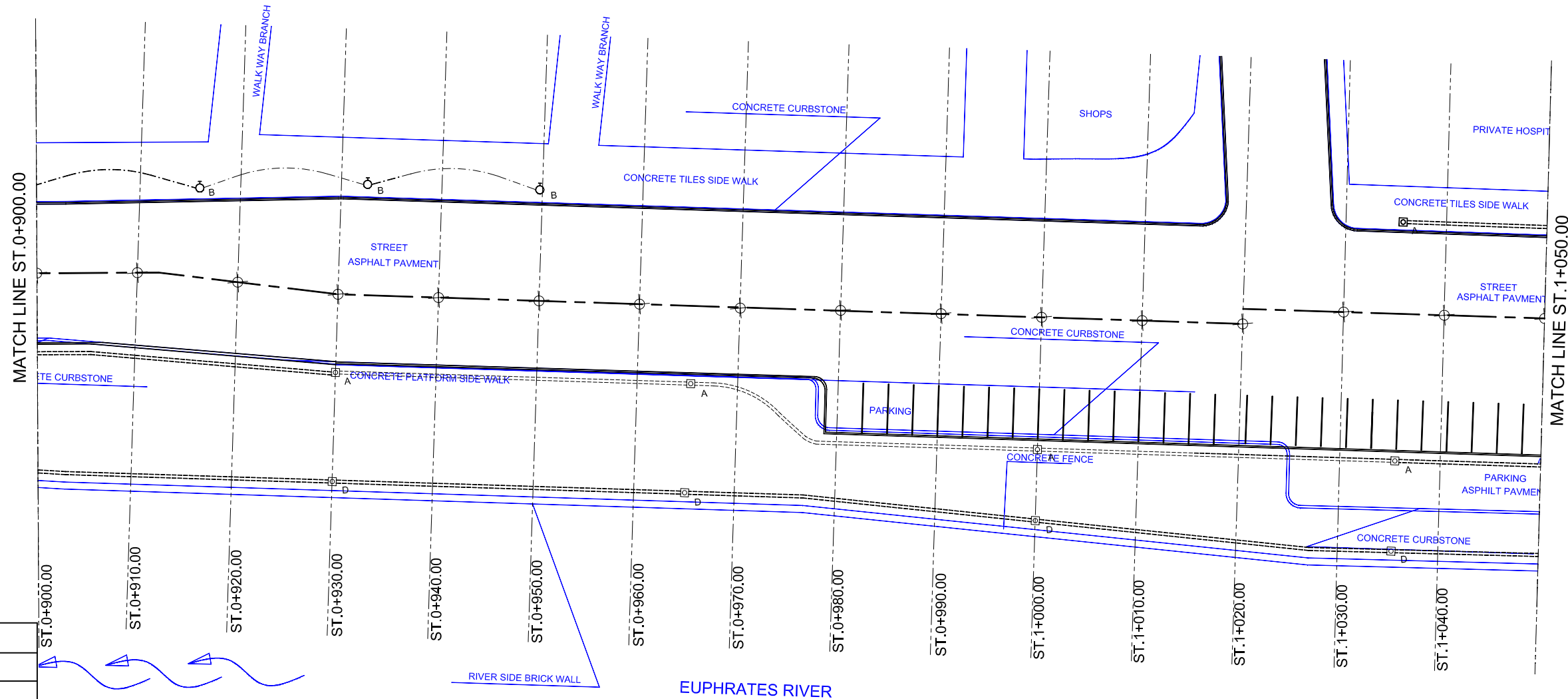
	LIGHTING TYPE-A
	LIGHTING TYPE-B (WALL MOUNTED)
	LIGHTING TYPE-C
	LIGHTING TYPE-D
	MANHOLE
	DISTRIBUTION PANEL
	BALLAST BOARD
	CONDUIT EXPOSED
	DUCT
	CABLE TRENCH

Owner: SAMAWAH MAYORALTY MUTHANNA GOVERNORATE REPUBLIC OF IRAQ	Consultant:	Client :	Project : REHABILITATION AND IMPROVEMENT OF THE ROADS AND ROAD SIDES IN SAMAWAH FOR SAMAWAH PROMENADE DEVELOPMENT PLAN	Drawing No. F-2	Rev: 0	Drawn by :
			Dwg Title: STREET LIGHTING PLAN (2-6)	Scale 1:500	Date: 8-5-2005	Checked by:



	LIGHTING TYPE-A
	LIGHTING TYPE-B (WALL MOUNTED)
	LIGHTING TYPE-C
	LIGHTING TYPE-D
	MANHOLE
	DISTRIBUTION PANEL
	BALLAST BOARD
	CONDUIT EXPOSED
	DUCT
	CABLE TRENCH

Owner: SAMAWAH MAYORALTY MUTHANNA GOVERNORATE REPUBLIC OF IRAQ	Consultant:	Client :	Project : REHABILITATION AND IMPROVEMENT OF THE ROADS AND ROAD SIDES IN SAMAWAH FOR SAMAWAH PROMENADE DEVELOPMENT PLAN	Drawing No. F-3	Rev: 0	Drawn by :
			Dwg Title: STREET LIGHTING PLAN (3-6)	Scale 1:500	Date: 8-5-2005	Checked by:



	LIGHTING TYPE-A
	LIGHTING TYPE-B (WALL MOUNTED)
	LIGHTING TYPE-C
	LIGHTING TYPE-D
	MANHOLE
	DISTRIBUTION PANEL
	BALLAST BOARD
	CONDUIT EXPOSED
	DUCT
	CABLE TRENCH

Owner: SAMAWAH MAYORALTY MUTHANNA GOVERNORATE REPUBLIC OF IRAQ	Consultant:	Client :	Project : REHABILITATION AND IMPROVEMENT OF THE ROADS AND ROAD SIDES IN SAMAWAH FOR SAMAWAH PROMENADE DEVELOPMENT PLAN	Drawing No. F-4	Rev: 0	Drawn by :
			Dwg Title: STREET LIGHTING PLAN (4-6)	Scale 1:500	Date: 8-5-2005	Checked by: