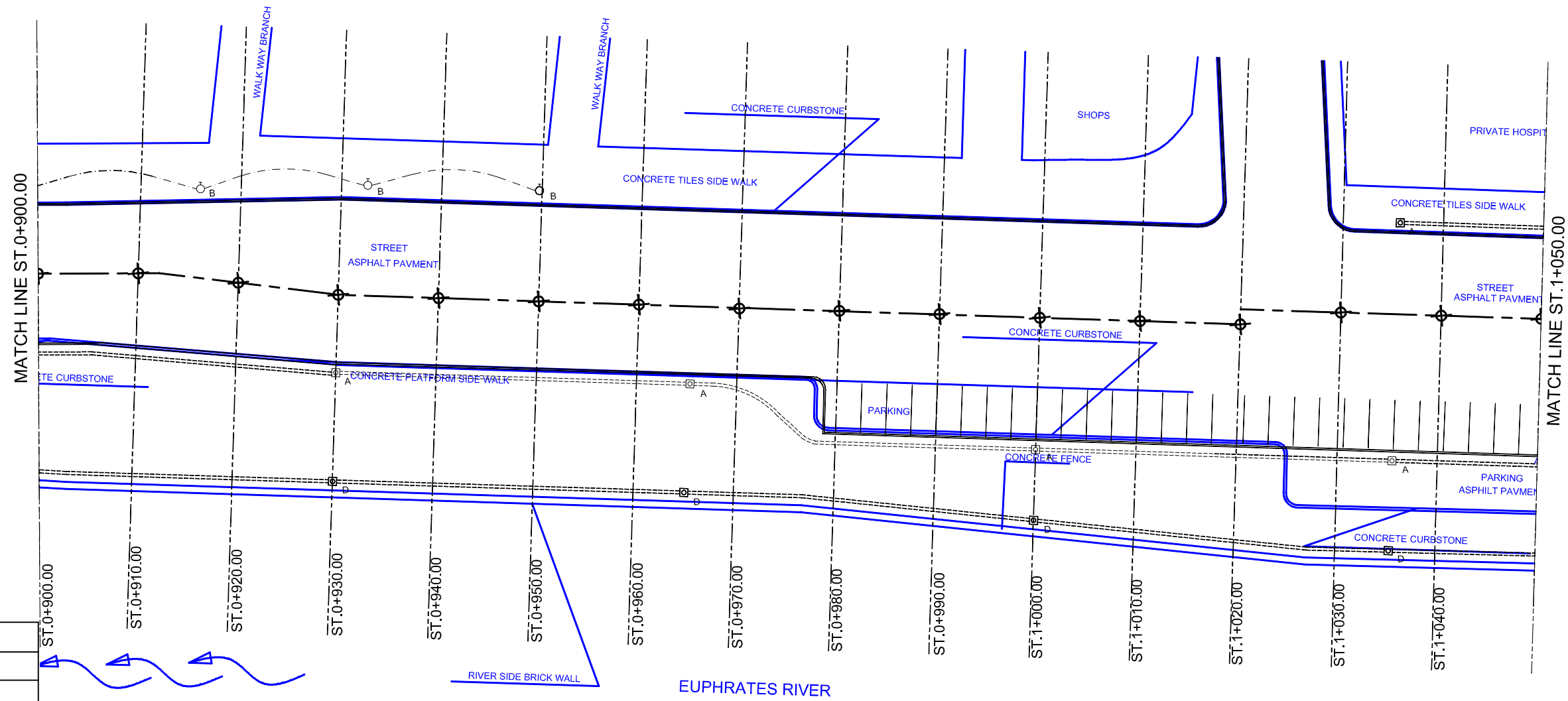


	LIGHTING TYPE-A
	LIGHTING TYPE-B (WALL MOUNTED)
	LIGHTING TYPE-C
	LIGHTING TYPE-D
	MANHOLE
	DISTRIBUTION PANEL
	BALLAST BOARD
	CONDUIT EXPOSED
	DUCT
	CABLE TRENCH



<b>Owner:</b> SAMAWAH MAYORALTY MUTHANNA GOVERNORATE REPUBLIC OF IRAQ	<b>Consultant:</b>	<b>Client :</b>	<b>Project :</b> REHABILITATION AND IMPROVEMENT OF THE ROADS AND ROAD SIDES IN SAMAWAH FOR SAMAWAH PROMENADE DEVELOPMENT PLAN	<b>Drawing No.</b> F-6	<b>Rev:</b> 0	<b>Drawn by :</b>
			<b>Dwg Title:</b> STREET LIGHTING PLAN (6-9)	<b>Scale</b> 1:500	<b>Date:</b> 8-5-2005	<b>Checked by:</b>



	LIGHTING TYPE-A
	LIGHTING TYPE-B (WALL MOUNTED)
	LIGHTING TYPE-C
	LIGHTING TYPE-D
	MANHOLE
	DISTRIBUTION PANEL
	BALLAST BOARD
	CONDUIT EXPOSED
	DUCT
	CABLE TRENCH

Owner:  
SAMAWAH MAYORALTY  
MUTHANNA GOVERNORATE  
REPUBLIC OF IRAQ

Consultant:

Client :

Project : REHABILITATION AND IMPROVEMENT OF THE ROADS AND ROAD SIDES IN SAMAWAH FOR SAMAWAH PROMENADE DEVELOPMENT PLAN

Dwg Title: STREET LIGHTING PLAN (7-9)

Drawing No. F-7

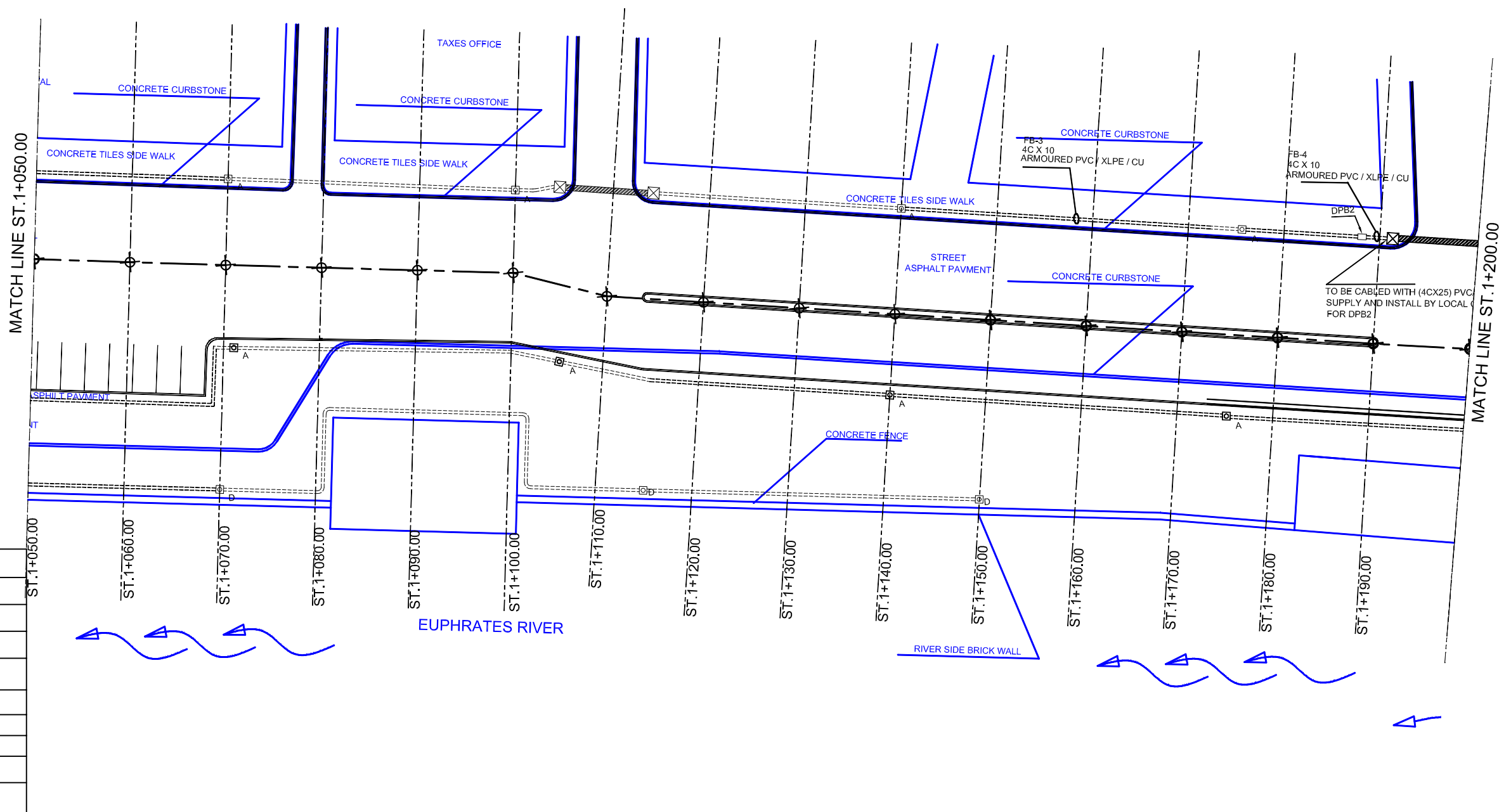
Scale 1:500

Rev: 0

Date: 8-5-2005

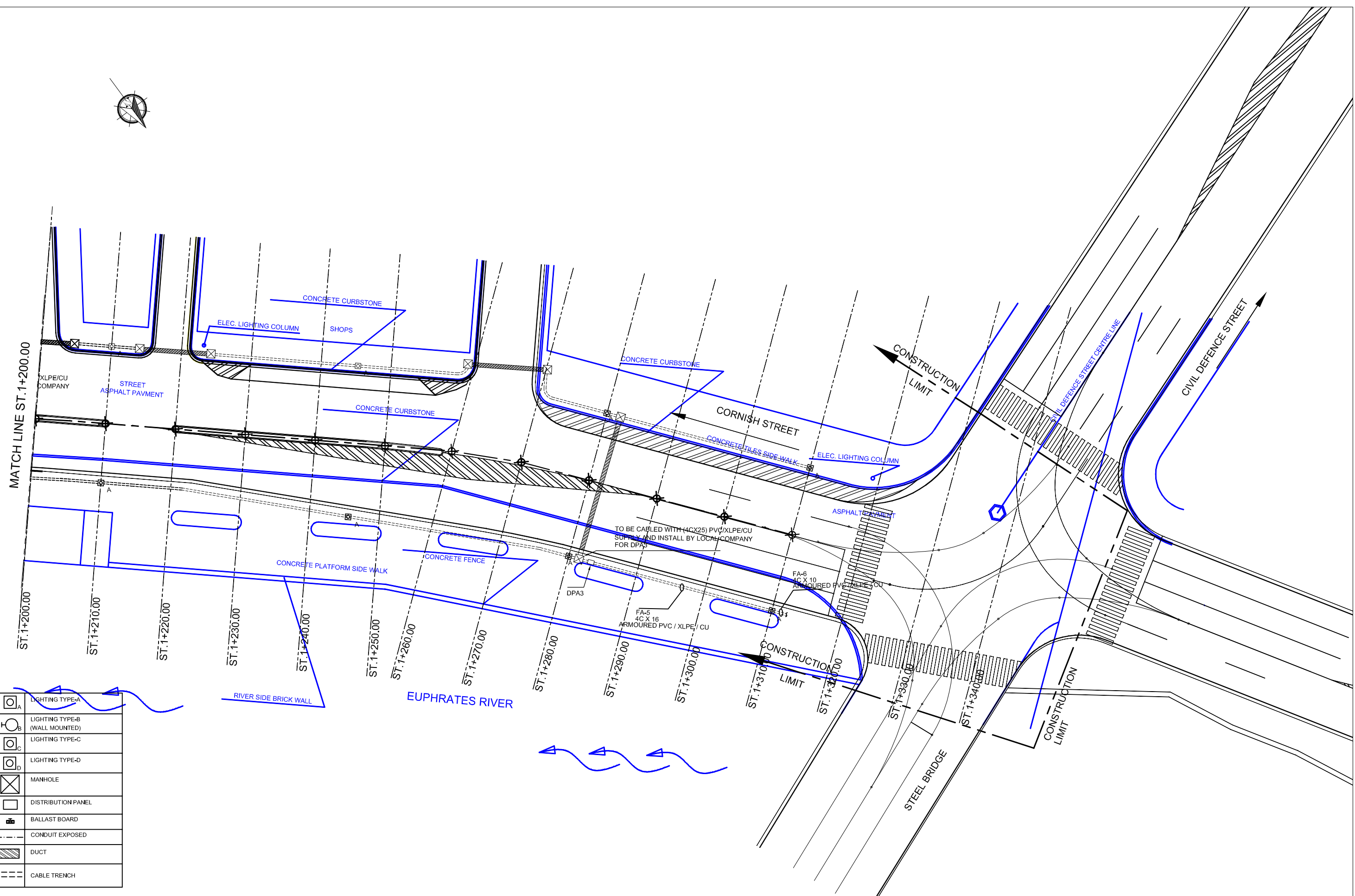
Drawn by :

Checked by:



	LIGHTING TYPE-A
	LIGHTING TYPE-B (WALL MOUNTED)
	LIGHTING TYPE-C
	LIGHTING TYPE-D
	MANHOLE
	DISTRIBUTION PANEL
	BALLAST BOARD
	CONDUIT EXPOSED
	DUCT
	CABLE TRENCH

<b>Owner:</b> SAMAWAH MAYORALTY MUTHANNA GOVERNORATE REPUBLIC OF IRAQ	<b>Consultant:</b>	<b>Client :</b>	<b>Project :</b> REHABILITATION AND IMPROVEMENT OF THE ROADS AND ROAD SIDES IN SAMAWAH FOR SAMAWAH PROMENADE DEVELOPMENT PLAN	<b>Drawing No.</b> F-8	<b>Rev:</b> 0	<b>Drawn by :</b>
			<b>Dwg Title:</b> STREET LIGHTING PLAN (8-9)	<b>Scale</b> 1:500	<b>Date:</b> 8-5-2005	<b>Checked by:</b>



	LIGHTING TYPE-A
	LIGHTING TYPE-B (WALL MOUNTED)
	LIGHTING TYPE-C
	LIGHTING TYPE-D
	MANHOLE
	DISTRIBUTION PANEL
	BALLAST BOARD
	CONDUIT EXPOSED
	DUCT
	CABLE TRENCH

Owner:  
SAMAWAH MAYORALTY  
MUTHANNA GOVERNORATE  
REPUBLIC OF IRAQ

Consultant:

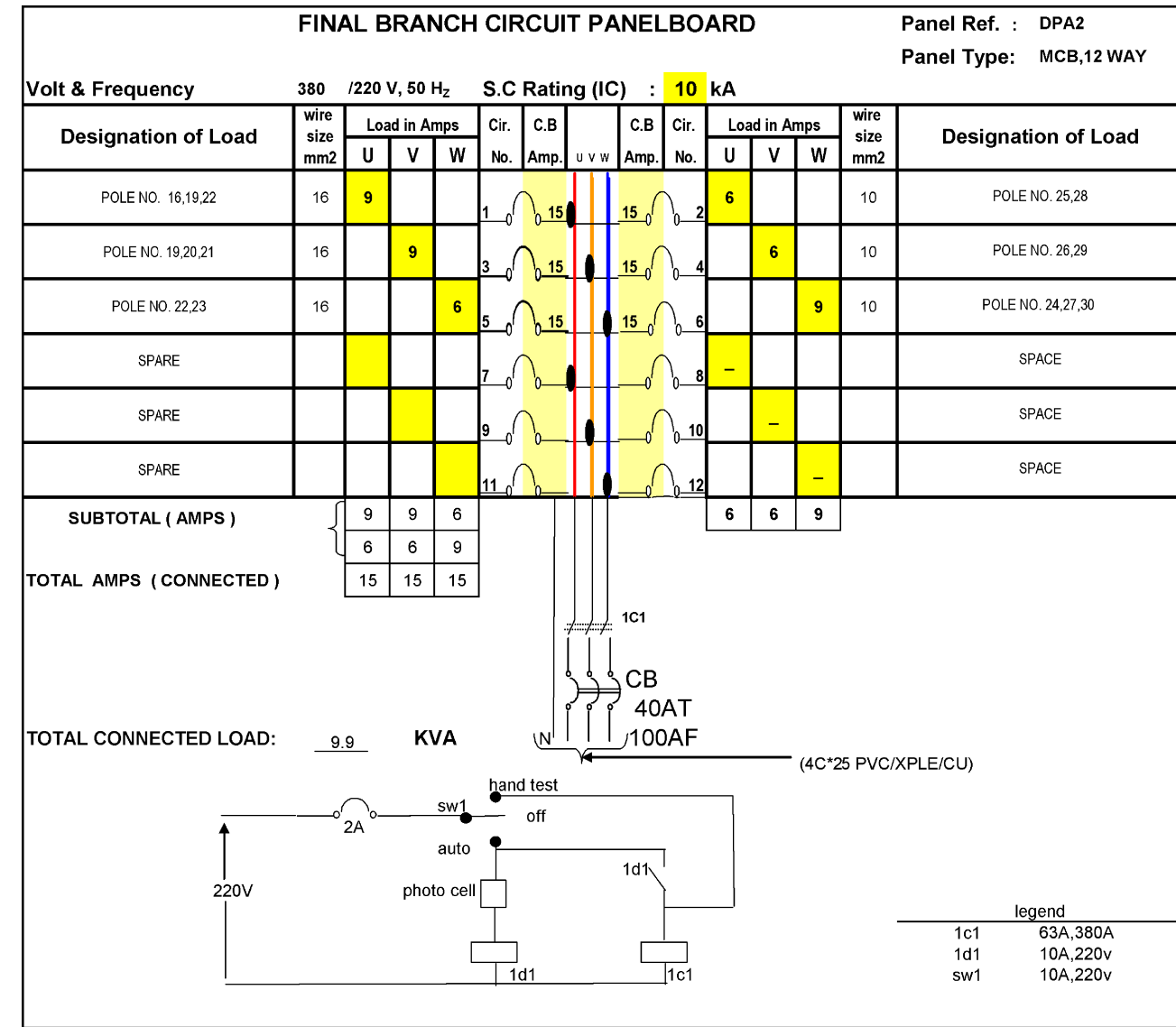
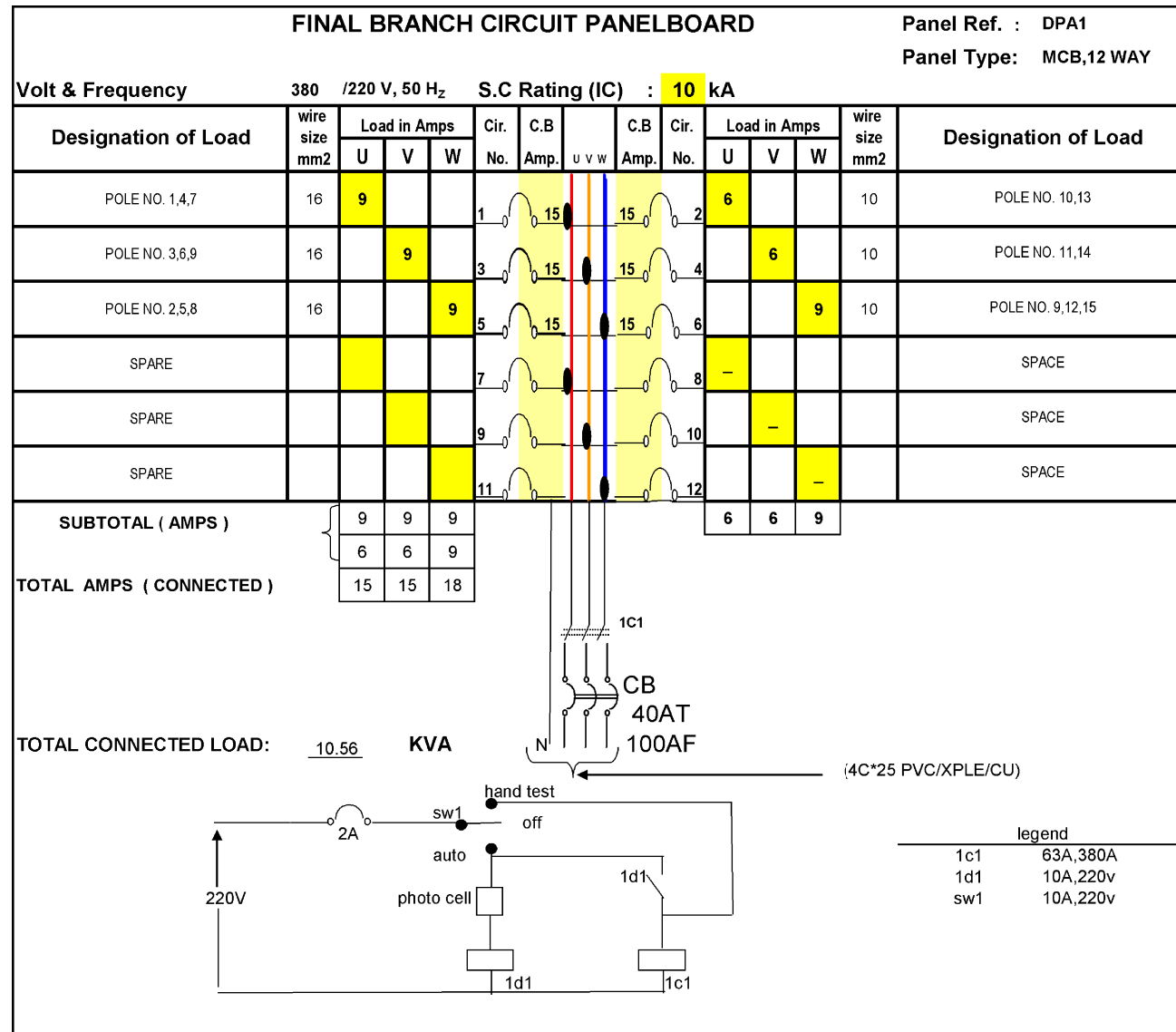
Client :

Project : REHABILITATION AND IMPROVEMENT OF THE ROADS AND ROAD SIDES IN SAMAWAH FOR SAMAWAH PROMENADE DEVELOPMENT PLAN  
Dwg Title: STREET LIGHTING PLAN (9-9)

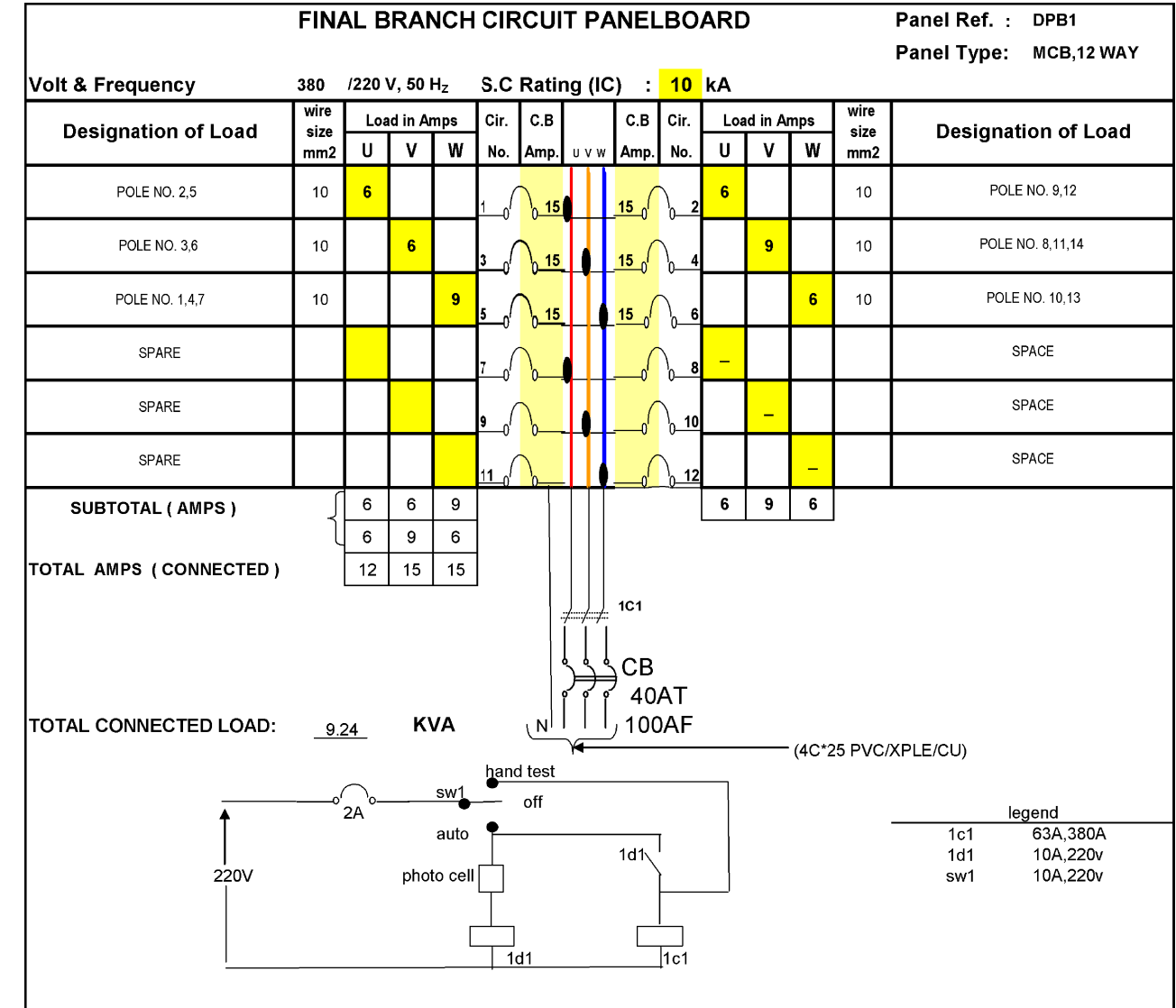
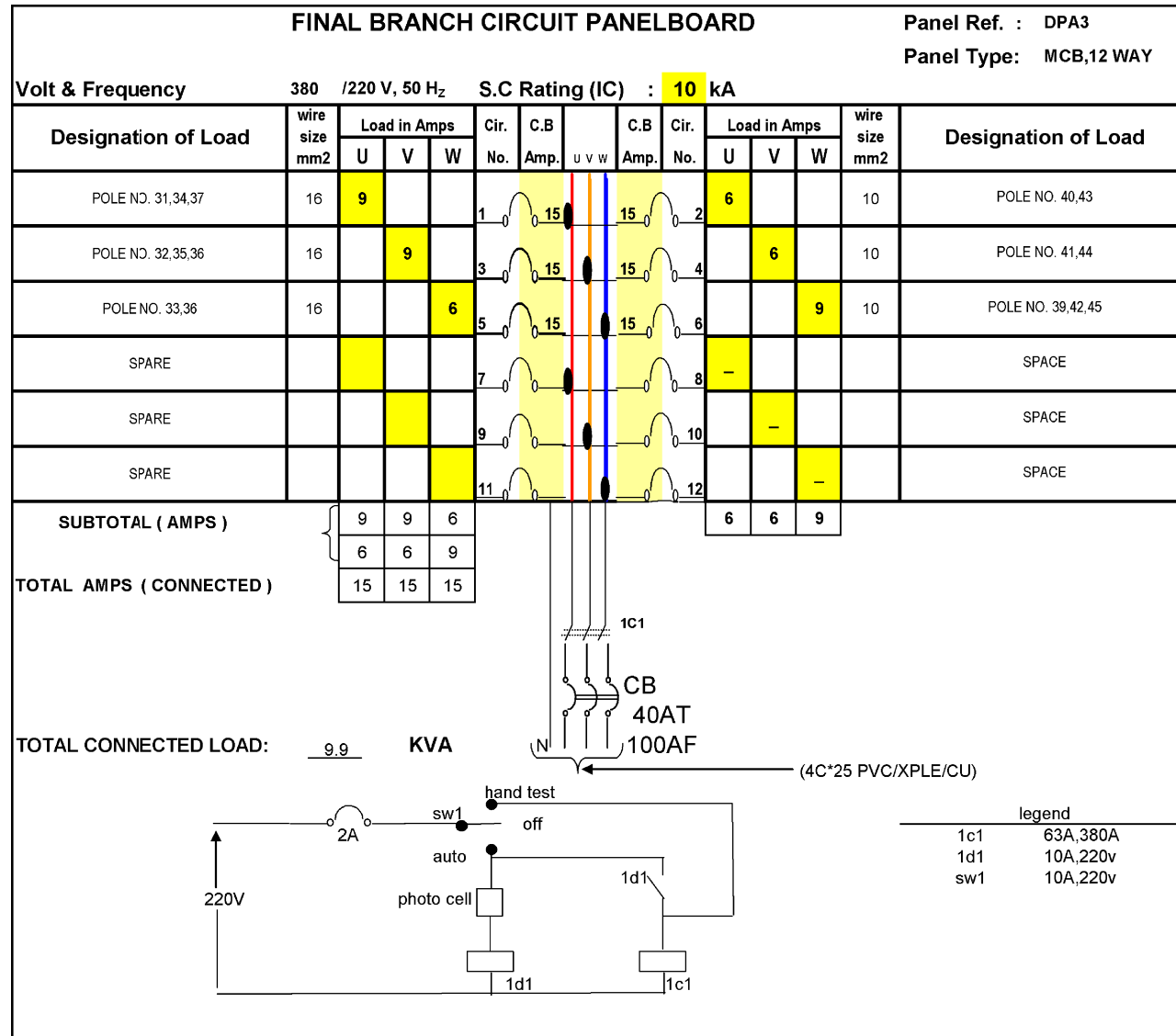
Drawing No. F-9  
Scale 1:500

Rev: 0  
Date: 8-5-2005

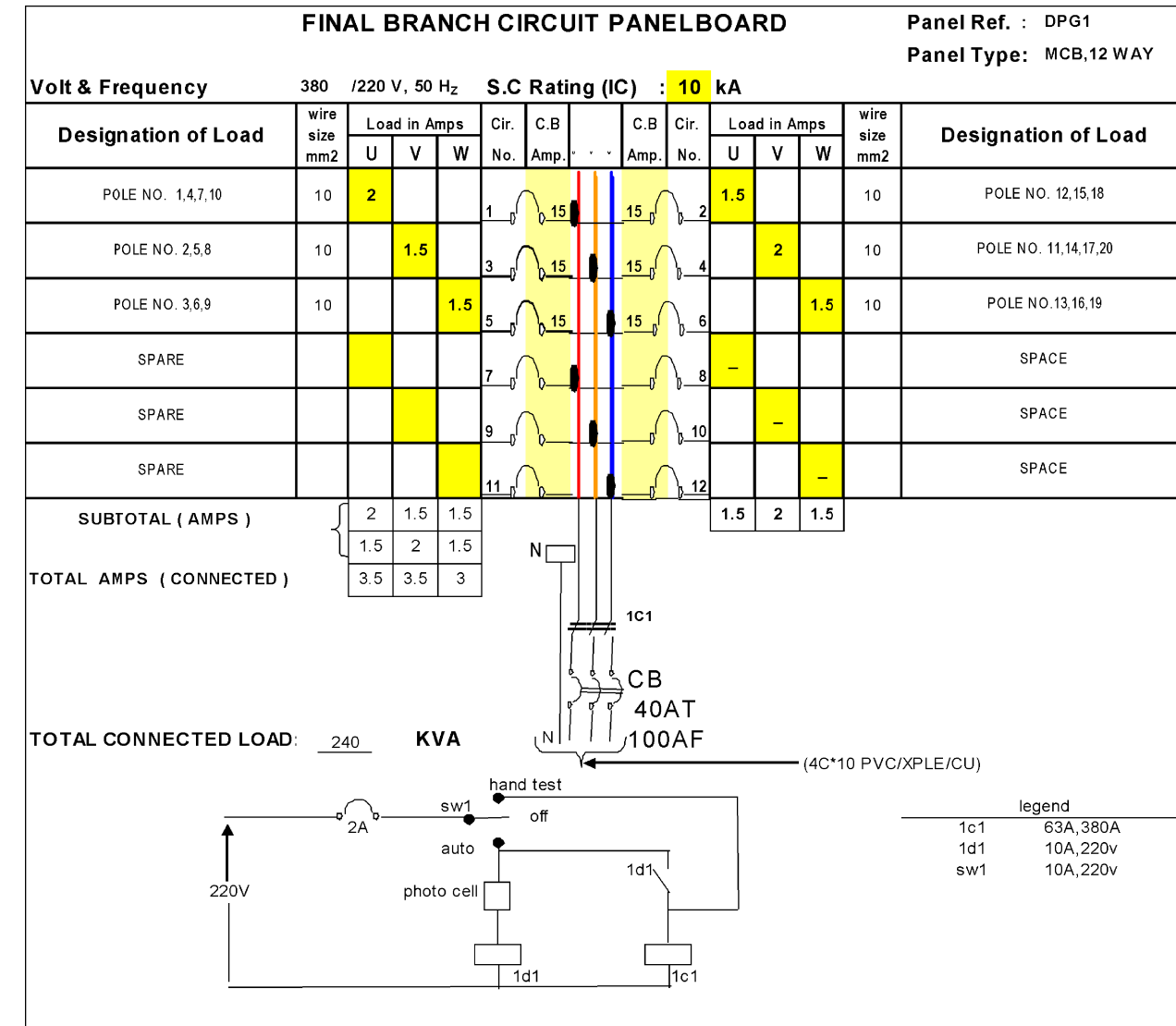
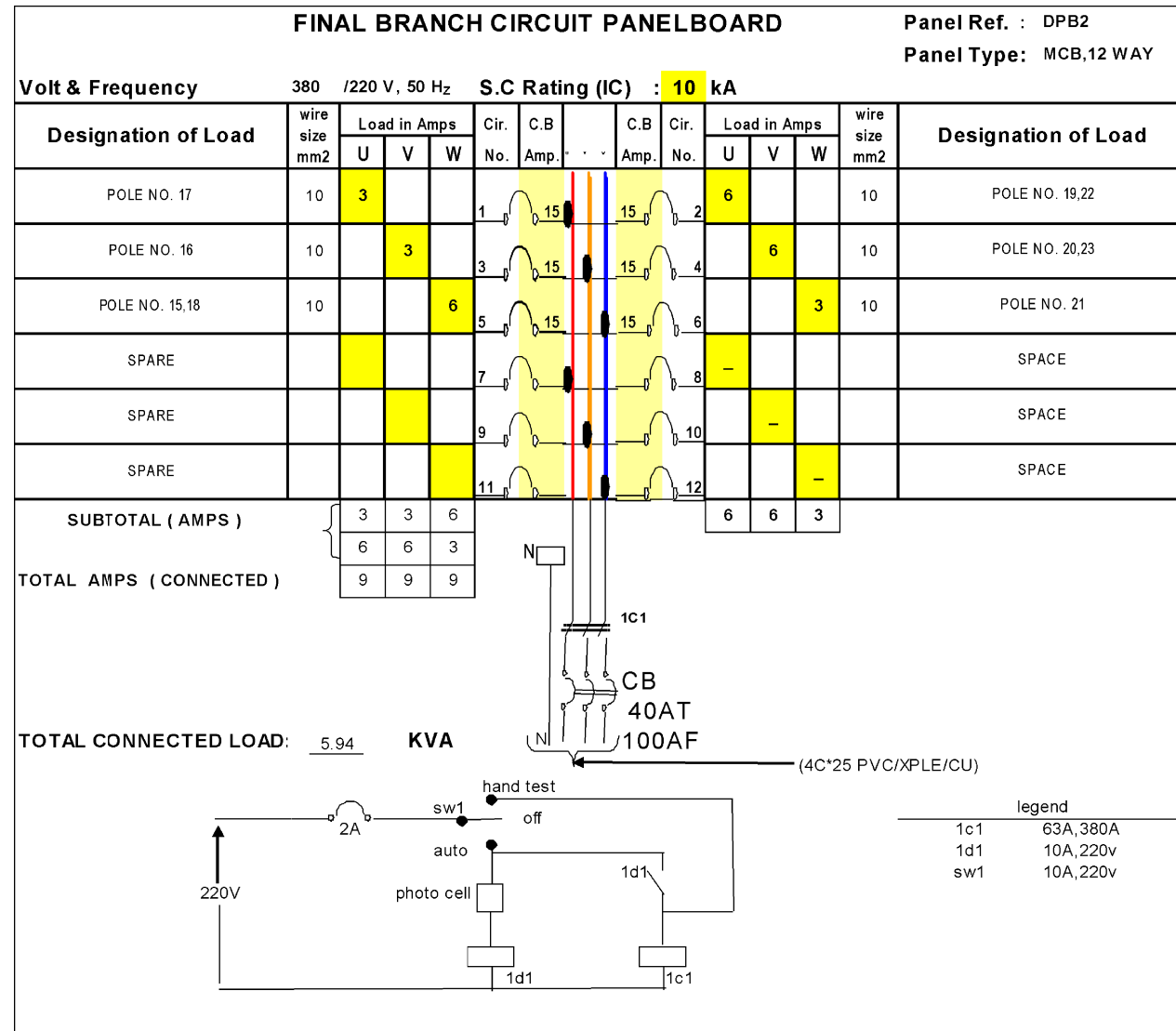
Drawn by :  
Checked by:



Owner:	SAMAWAH MAYORALTY MUTHANNA GOVERNORATE REPUBLIC OF IRAQ	Consultant:	Client :	Project : REHABILITATION AND IMPROVEMENT OF THE ROADS AND ROAD SIDES IN SAMAWAH FOR SAMAWAH PROMENADE DEVELOPMENT PLAN	Drawing No. F-10	Rev: 0	Drawn by :
				Dwg Title: DISTRIBUTION PANELS (1-4)	Scale NOT TO SCALE	Date: 8-5-2005	Checked by:

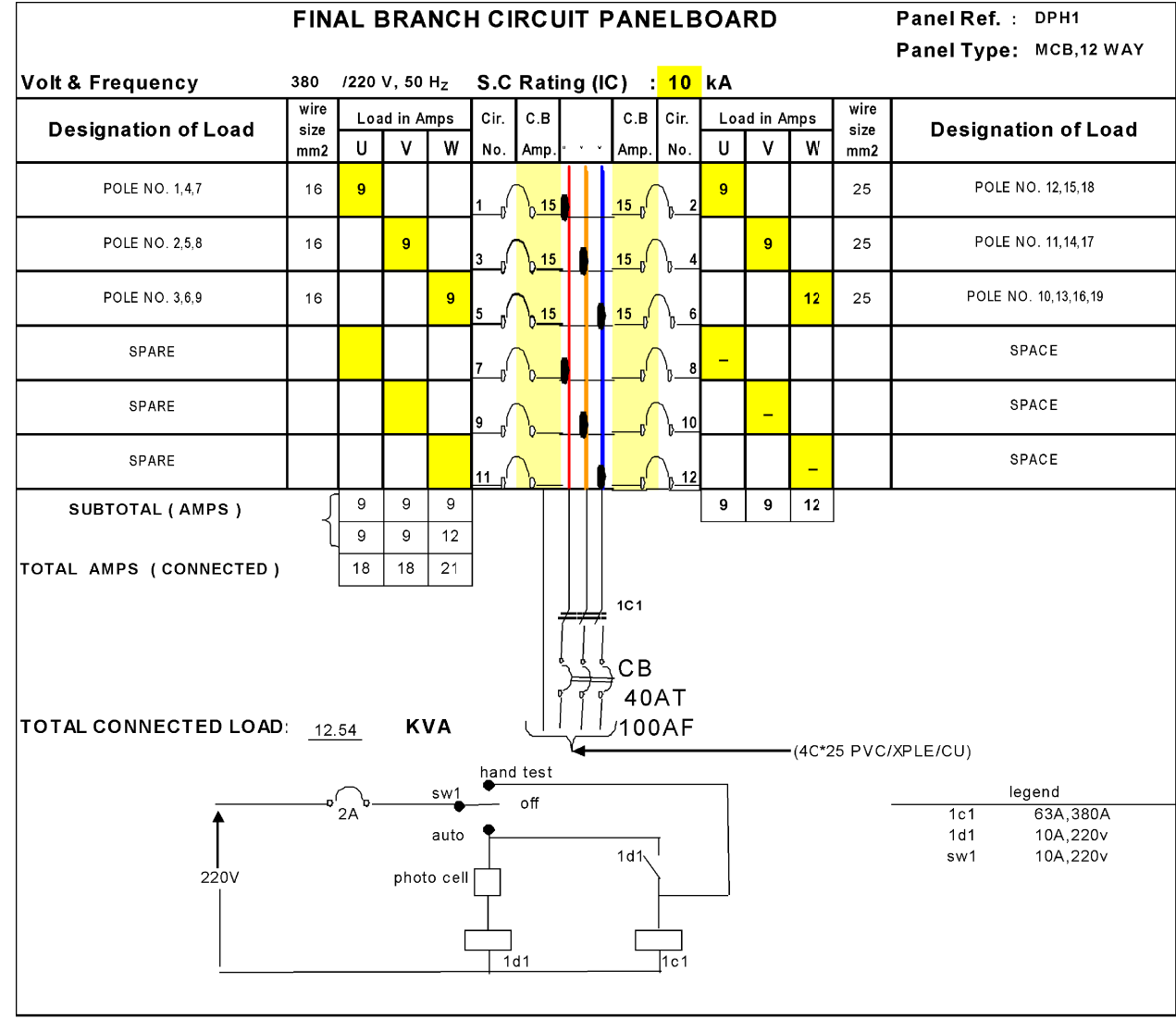


Owner:	SAMAWAH MAYORALTY MUTHANNA GOVERNORATE REPUBLIC OF IRAQ	Consultant:	Client :	Project : REHABILITATION AND IMPROVEMENT OF THE ROADS AND ROAD SIDES IN SAMAWAH FOR SAMAWAH PROMENADE DEVELOPMENT PLAN	Drawing No. F-11	Rev: 0	Drawn by :
				Dwg Title: DISTRIBUTION PANELS (2-4)	Scale NOT TO SCALE	Date: 8-5-2005	Checked by:



Owner:	SAMAWAH MAYORALTY MUTHANNA GOVERNORATE REPUBLIC OF IRAQ	Consultant:	Client :	Project : REHABILITATION AND IMPROVEMENT OF THE ROADS AND ROAD SIDES IN SAMAWAH FOR SAMAWAH PROMENADE DEVELOPMENT PLAN	Drawing No. F-12	Rev: 0	Drawn by :
				Dwg Title: DISTRIBUTION PANELS (3-4)	Scale NOT TO SCALE	Date: 8-5-2005	Checked by:





Owner:	SAMAWAH MAYORALTY MUTHANNA GOVERNORATE REPUBLIC OF IRAQ	Consultant:	Client :	Project : REHABILITATION AND IMPROVEMENT OF THE ROADS AND ROAD SIDES IN SAMAWAH FOR SAMAWAH PROMENADE DEVELOPMENT PLAN	Drawing No. F-13	Rev: 0	Drawn by :
				Dwg Title: DISTRIBUTION PANELS (4-4)	Scale NOT TO SCALE	Date: 8-5-2005	Checked by: