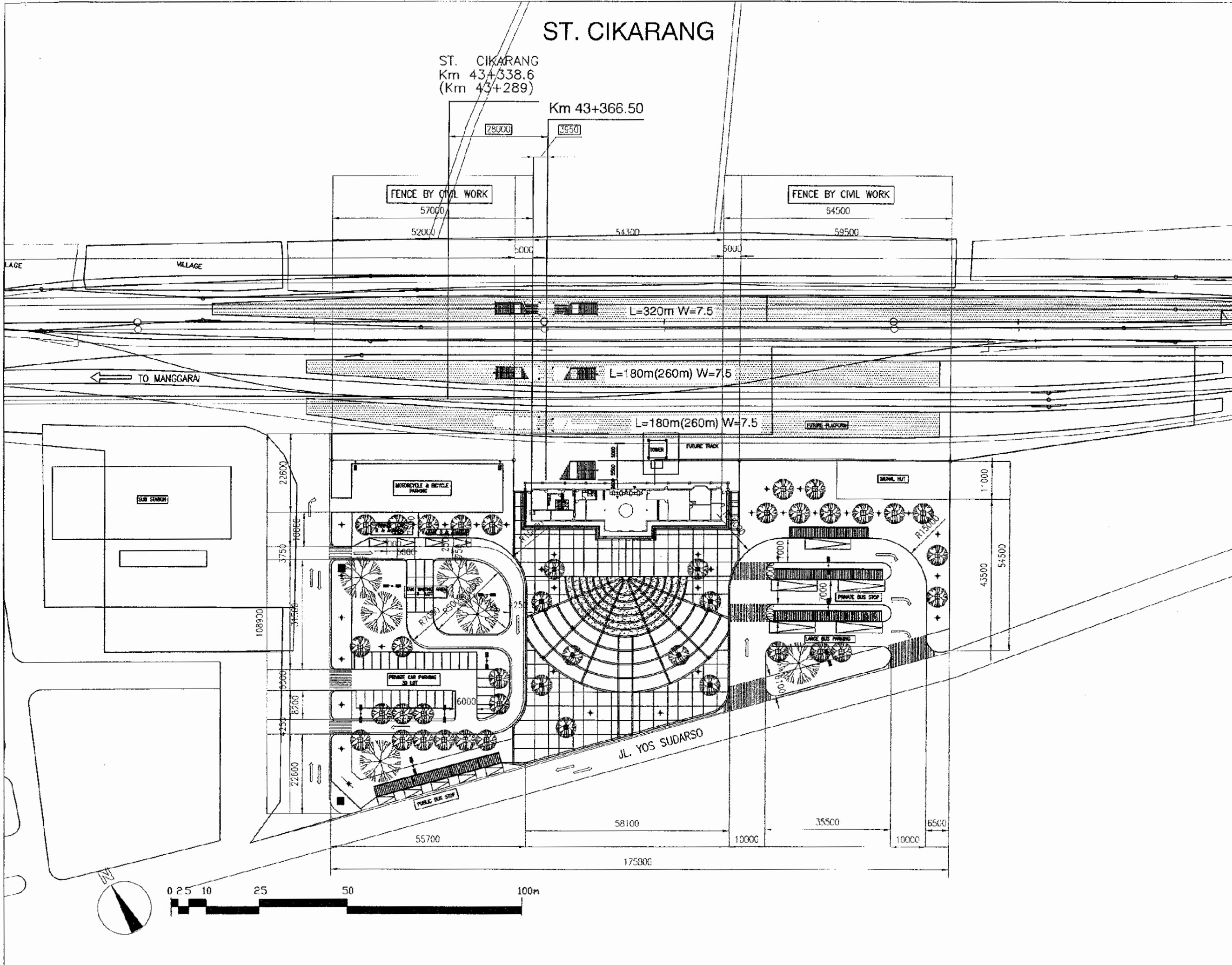


CIKARANG STATION

ST. CIKARANG

ST. CIKARANG
Km 43+338.6
(Km 43+289)

Km 43+366.50



The Railway Electrification and
Double - double Tracking of
Java Main Line Project



Note:
This detailed design has been executed by a team
of consultants as shown below in accordance with
the agreement between Japan International
Cooperation Agency (JICA) and JICA Study Team.
The copyright of this drawing rests with JICA.

Designed by:
Japan International Cooperation
Agency (JICA)
JICA Study Team:
Joint Venture of
Pacific Consultants International and
Japan Railway Technical Service

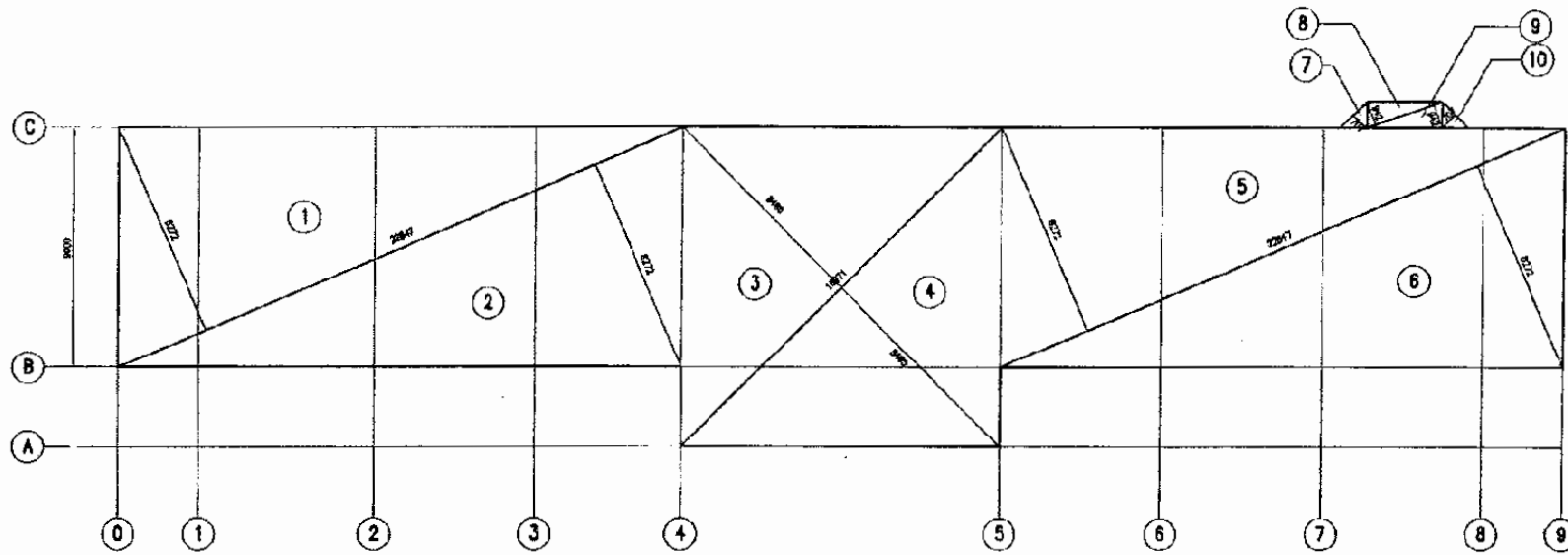
ARCHITECTURE

CIKARANG STATION

DATE 10/MARCH/2003

Drawing Title :
SITE PLAN

Scale: 1 : 1000 Drawing No.: AA-13-001

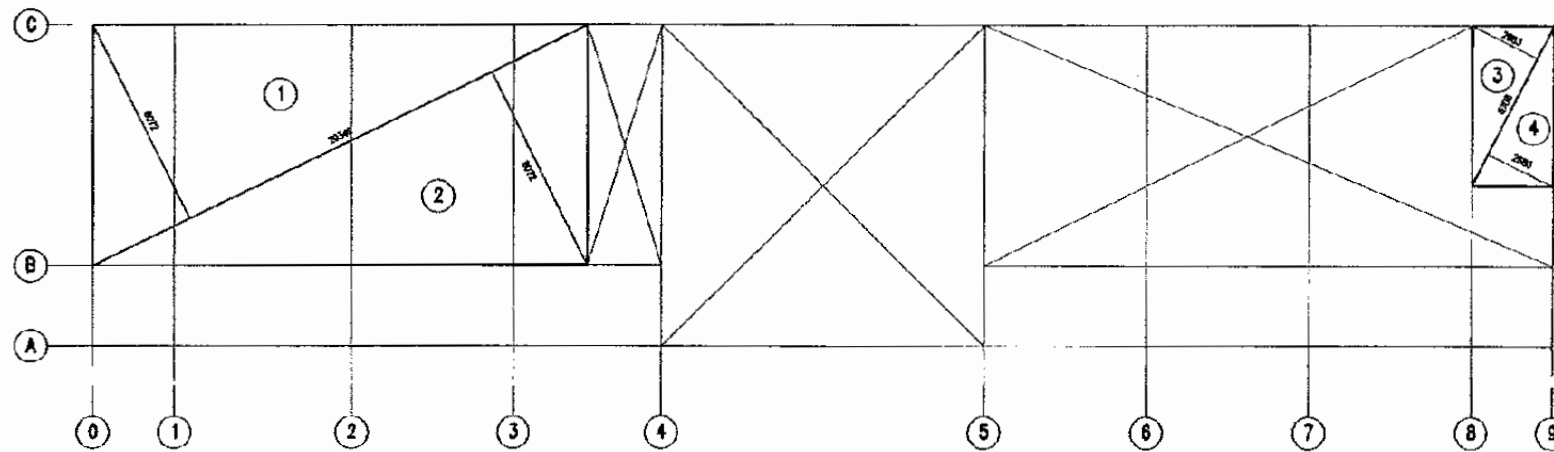


1 GROUND FLOOR AREA

GROUND FLOOR

NO	CALCULATIONS	SUB TOTAL (SQM)
1	0.5 X 9 X 21	94.5
2	0.5 X 9 X 21	94.5
3	0.5 X 12 X 12	72
4	0.5 X 12 X 12	72
5	0.5 X 9 X 21	94.5
6	0.5 X 9 X 21	94.5
7	0.5 X 1 X 1	0.5
8	0.5 X 1 X 2.8	1.4
9	0.5 X 1 X 2.8	1.4
10	0.5 X 1 X 1	0.5
TOTAL		525.8

1 AREA TABLE
SCALE: 1:200



2 FIRST FLOOR AREA

FIRST FLOOR

NO	CALCULATIONS	SUB TOTAL (SQM)
1	0.5 X 9 X 18.25	82.13
2	0.5 X 9 X 18.25	82.13
3	0.5 X 3 X 6	9
4	0.5 X 3 X 6	9
TOTAL		182.26

NO	FLOOR AREA	SUB TOTAL (SQM)
1	GROUND FLOOR	525.8
2	FIRST FLOOR	182.26
TOTAL		708.06

The Railway Electrification and Double - double Tracking of Java Main Line Project



Note:
This detailed design has been executed by a team of consultants as shown below in accordance with the agreement between Japan International Cooperation Agency (JICA) and JICA Study Team.
The copyright of this drawing rests with JICA.

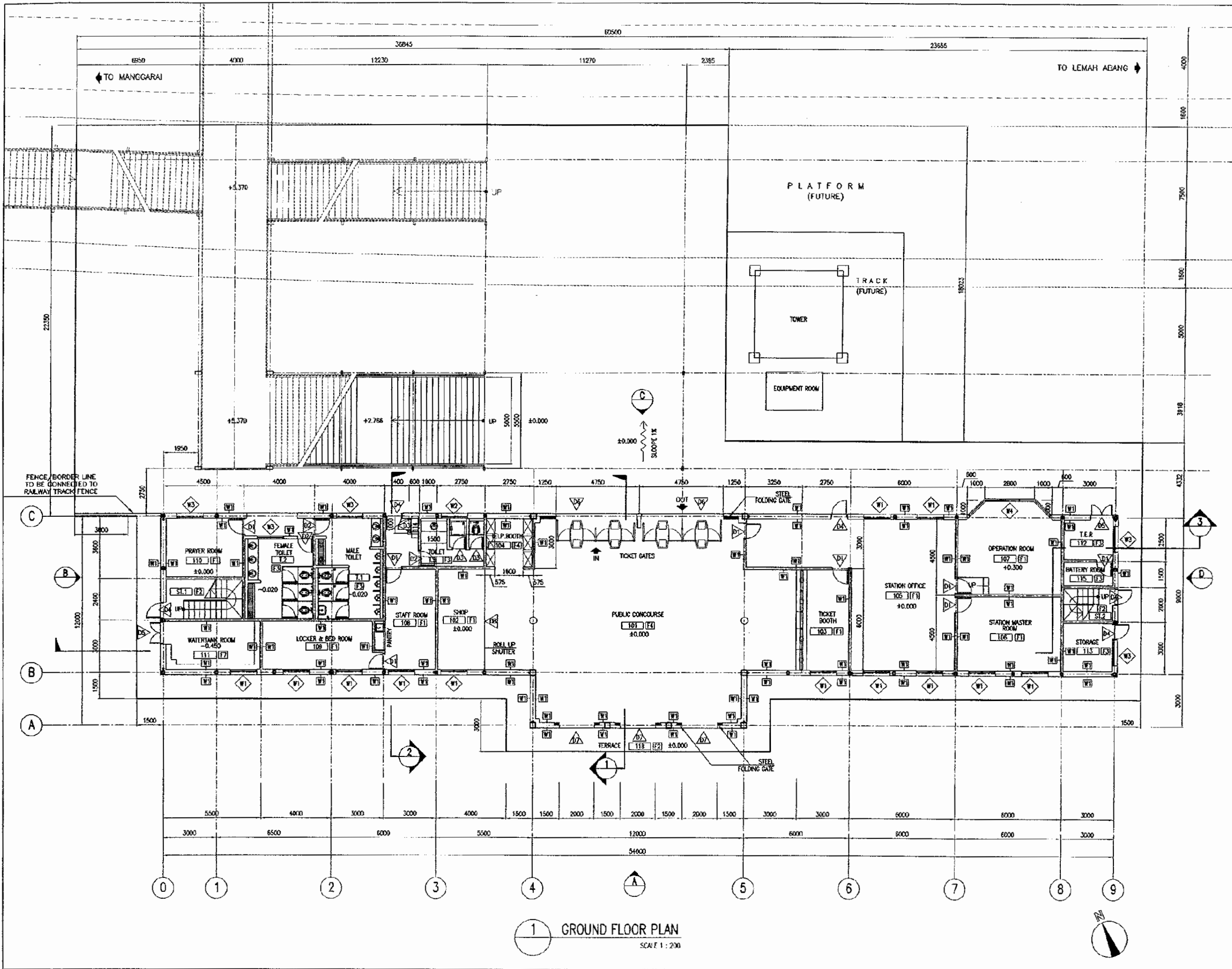
Designed by:
Japan International Cooperation Agency (JICA)
JICA Study Team:
Joint Venture of Pacific Consultants International and Japan Railway Technical Service

ARCHITECTURE
CIKARANG STATION

DATE 10/MARCH/2003

Drawing Title :
AREA TABLE

Scale: NTS Drawing No.: AA-13-002



1 GROUND FLOOR PLAN
SCALE 1 : 200

The Railway Electrification and Double - double Tracking of Java Main Line Project



Note:
This detailed design has been executed by a team of consultants as shown below in accordance with the agreement between Japan International Cooperation Agency (JICA) and JICA Study Team.
The copyright of this drawing rests with JICA.

Designed by:
Japan International Cooperation Agency (JICA)
JICA Study Team:
Joint Venture of Pacific Consultants International and Japan Railway Technical Service

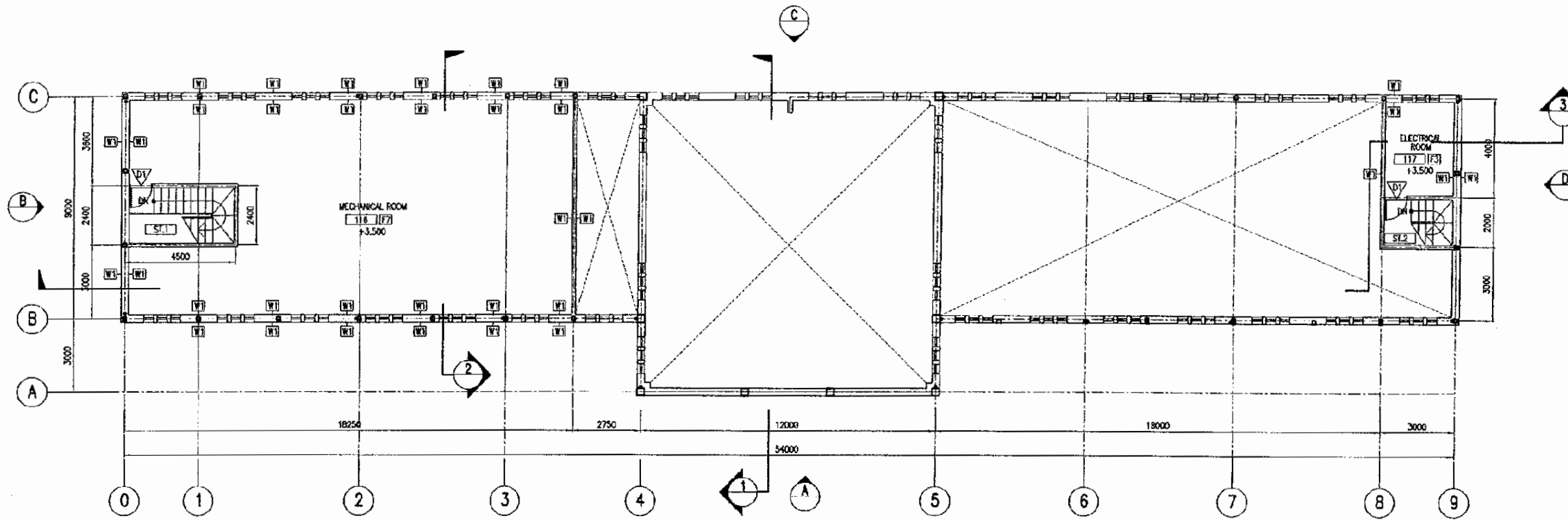
ARCHITECTURE

CIKARANG STATION

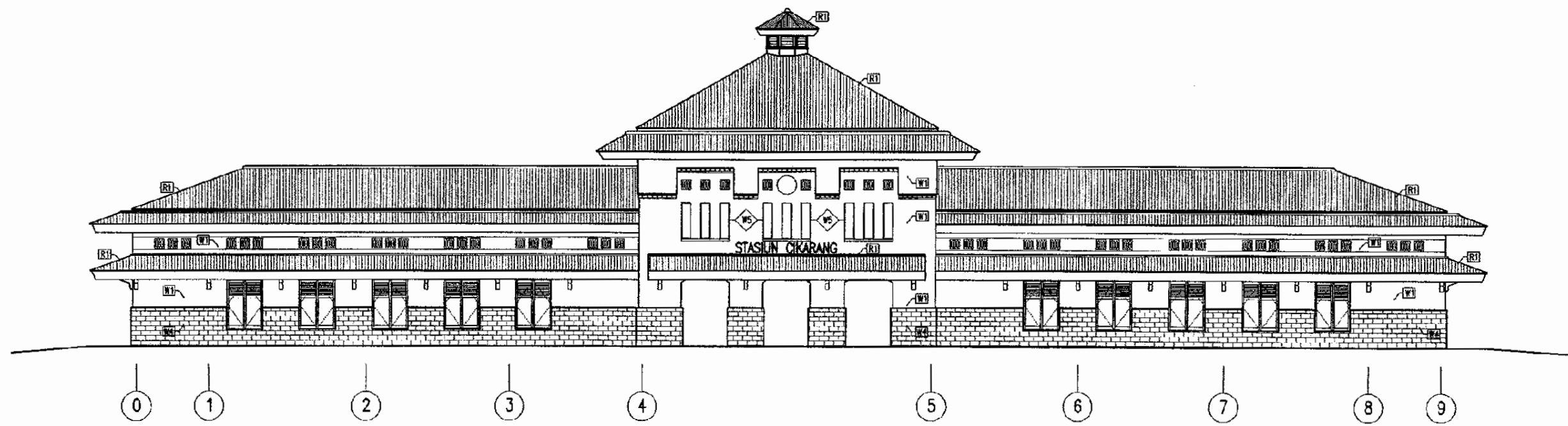
DATE 10/MARCH/2003

Drawing Title :
GROUND FLOOR PLAN

Scale: 1 : 200 Drawing No: AA-13-003



1 FIRST FLOOR PLAN
SCALE 1 : 200



1 ELEVATION A
SCALE 1 : 200

The Railway Electrification and Double - double Tracking of Java Main Line Project



Note:
This detailed design has been executed by a team of consultants as shown below in accordance with the agreement between Japan International Cooperation Agency (JICA) and JICA Study Team.
The copyright of this drawing rests with JICA.

Designed by:
Japan International Cooperation Agency (JICA)
JICA Study Team:
Joint Venture of Pacific Consultants International and Japan Railway Technical Service

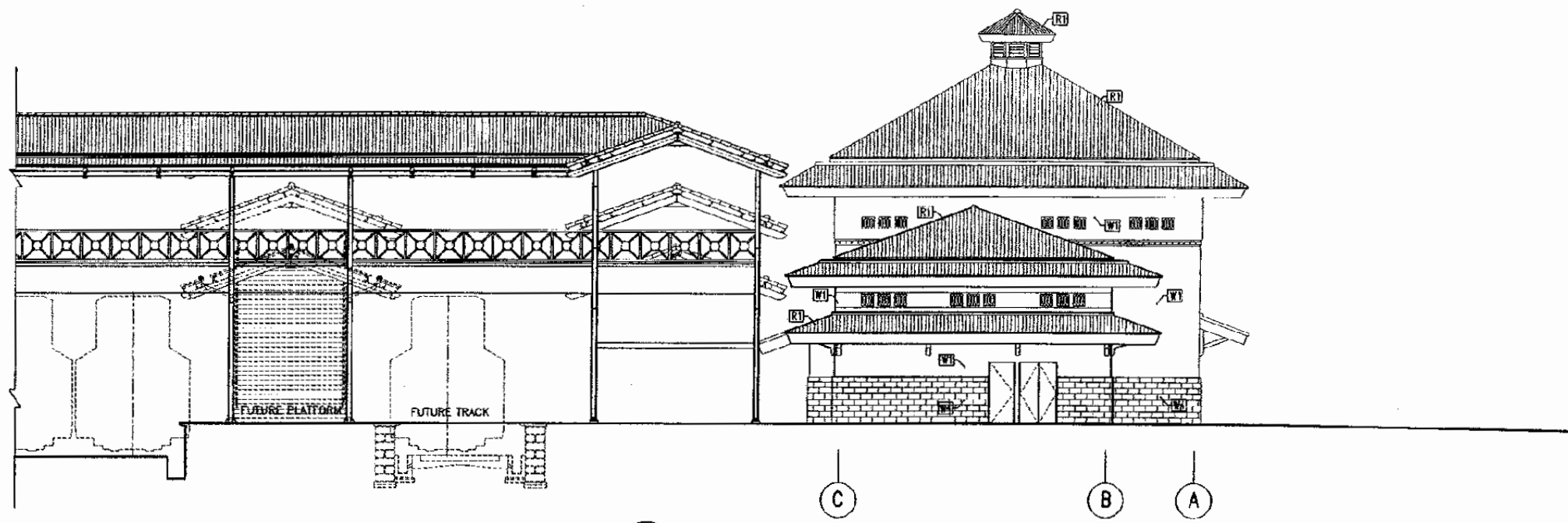
ARCHITECTURE

CIKARANG STATION

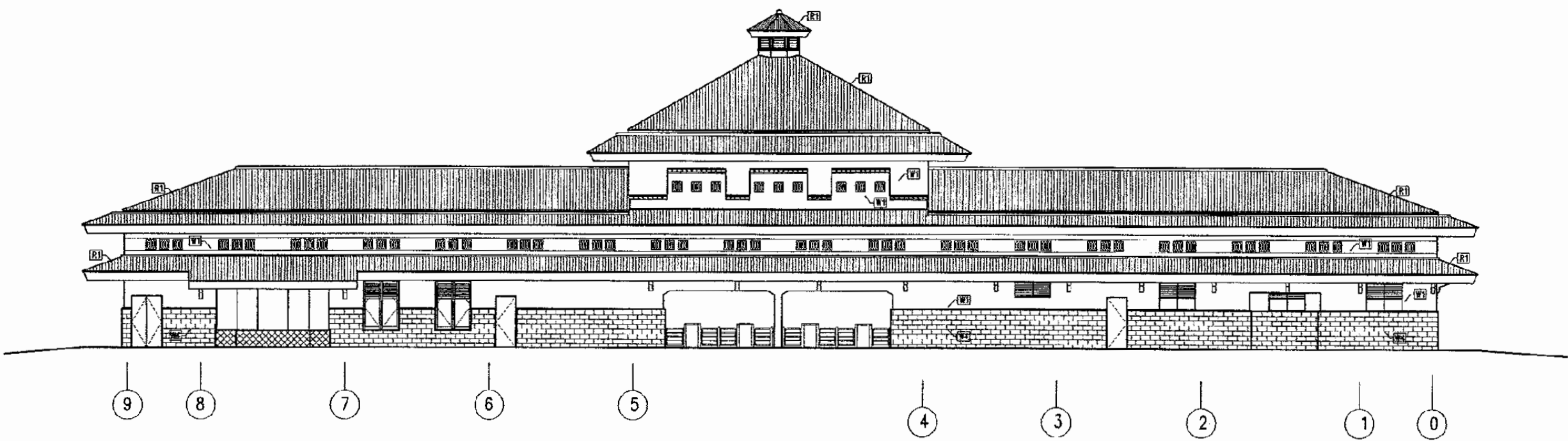
DATE 10/MARCH/2003

Drawing Title :
FIRST FLOOR PLAN AND ELEVATION A

Scale: 1 : 200 Drawing No: AA-13-004



1 ELEVATION B
SCALE 1 : 200



2 ELEVATION C
SCALE 1 : 200

The Railway Electrification and
Double - double Tracking of
Java Main Line Project



Note:
This detailed design has been executed by a team
of consultants as shown below in accordance with
the agreement between Japan International
Cooperation Agency (JICA) and JICA Study Team.

The copyright of this drawing rests with JICA.

Designed by:
Japan International Cooperation
Agency (JICA)
JICA Study Team:
Joint Venture of
Pacific Consultants International and
Japan Railway Technical Service

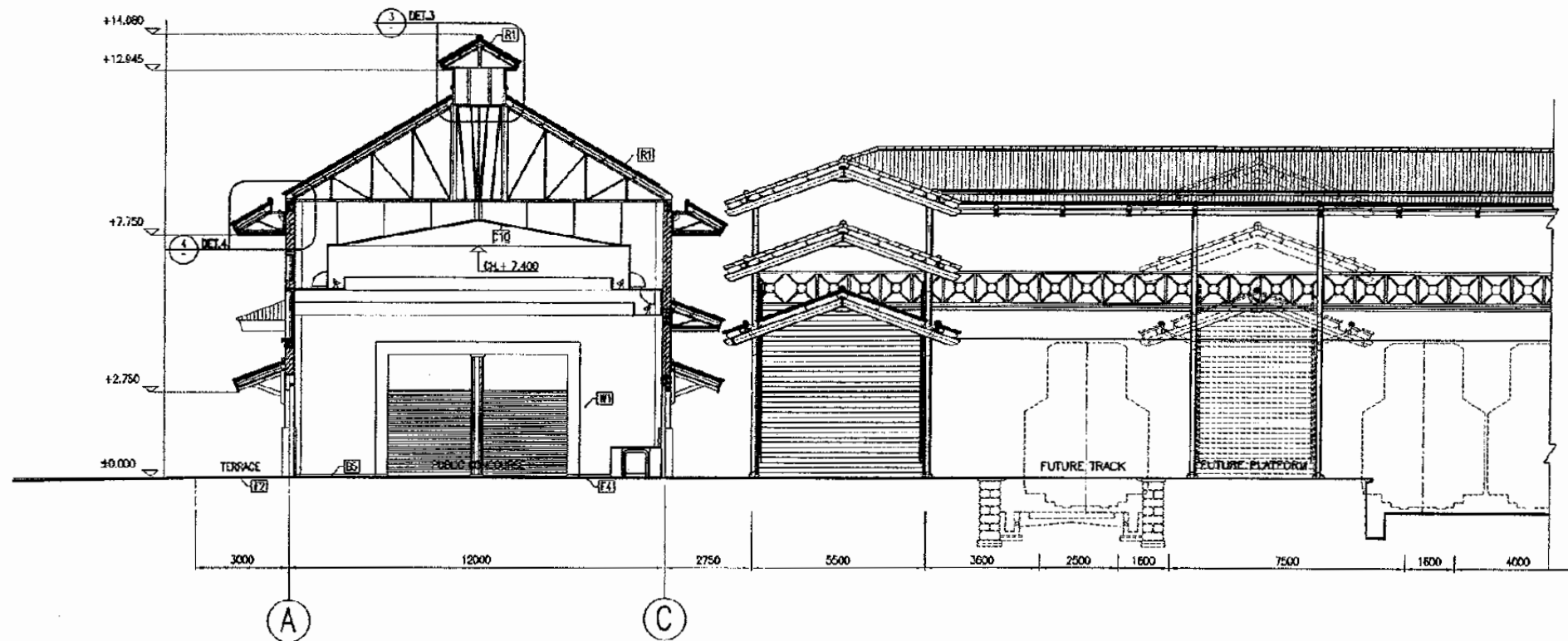
ARCHITECTURE

CIKARANG STATION

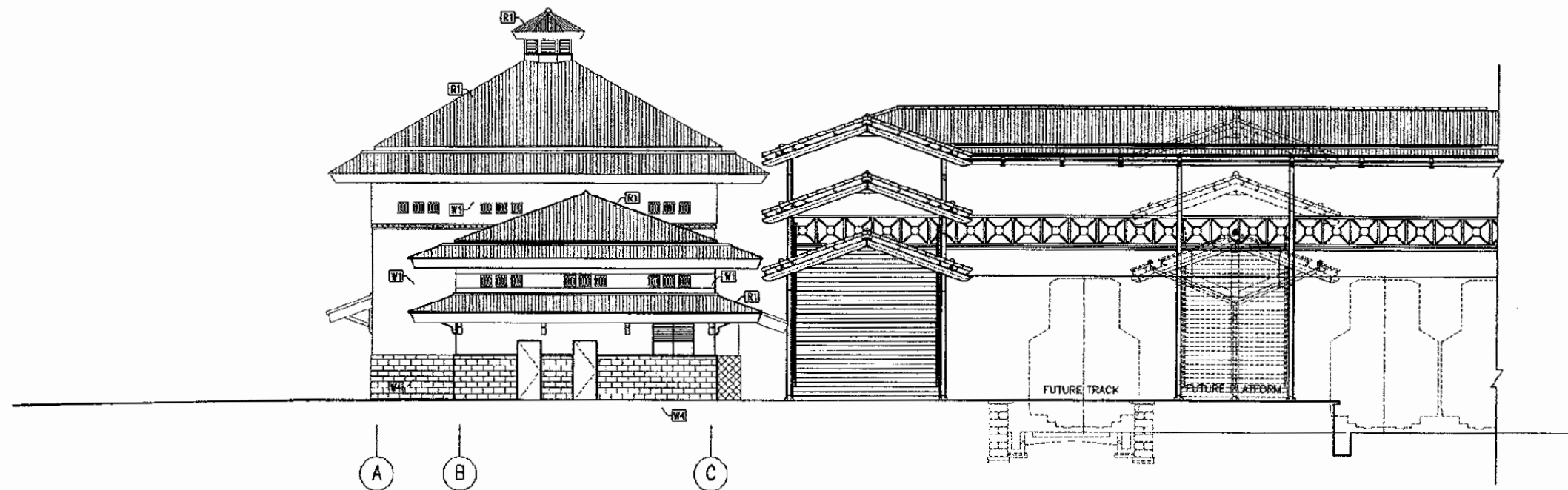
DATE 10/MARCH/2003

Drawing Title :
ELEVATION B & C

Scale: 1 : 200 Drawing No:
AA-13-005



2 SECTION 1
SCALE 1 : 200



1 ELEVATION D
SCALE 1 : 200

The Railway Electrification and
Double - double Tracking of
Java Main Line Project



Note:
This detailed design has been executed by a team
of consultants as shown below in accordance with
the agreement between Japan International
Cooperation Agency (JICA) and JICA Study Team.
The copyright of this drawing rests with JICA.

Designed by:
Japan International Cooperation
Agency (JICA)
JICA Study Team:
Joint Venture of
Pacific Consultants International and
Japan Railway Technical Service

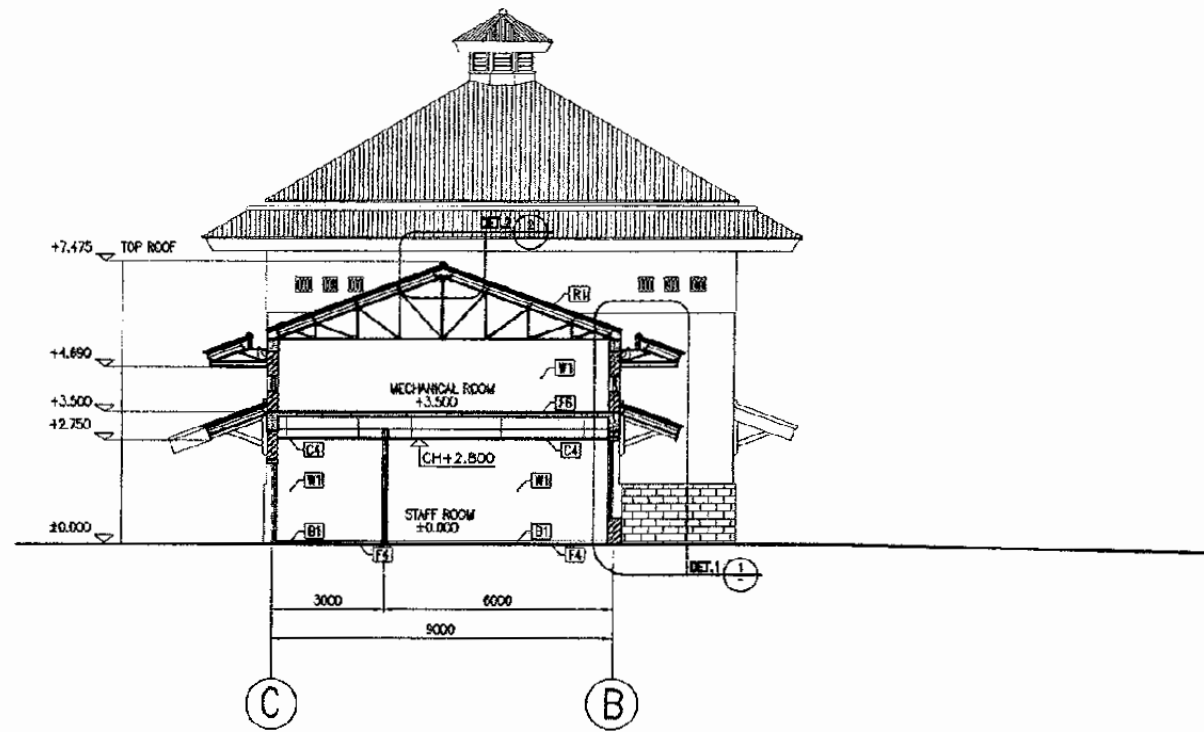
ARCHITECTURE

CIKARANG STATION

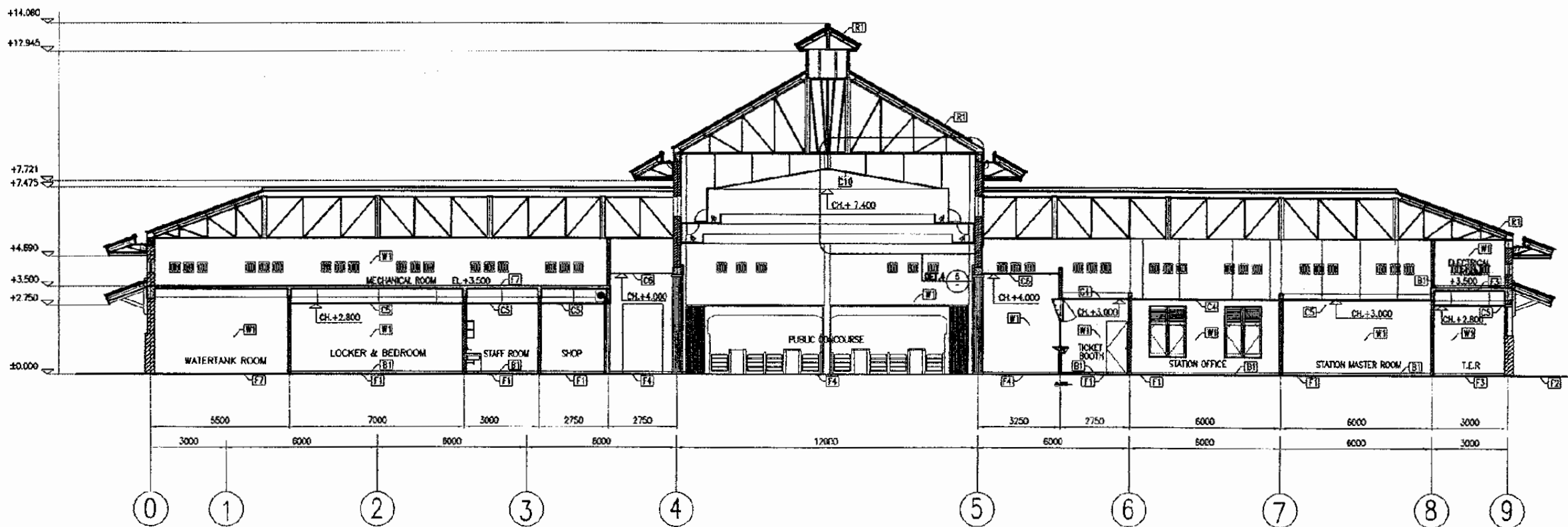
DATE 10/MARCH/2003

Drawing Title :
ELEVATION D & SECTION 1

Scale: 1 : 200 Drawing No.:
AA-13-0036



1 SECTION 2
SCALE 1 : 200



2 SECTION 3
SCALE 1 : 200

The Railway Electrification and
Double - double Tracking of
Java Main Line Project



Note:
This detailed design has been executed by a team
of consultants as shown below in accordance with
the agreement between Japan International
Cooperation Agency (JICA) and JICA Study Team.

The copyright of this drawing rests with JICA.

Designed by:
Japan International Cooperation
Agency (JICA)
JICA Study Team:
Joint Venture of
Pacific Consultants International and
Japan Railway Technical Service

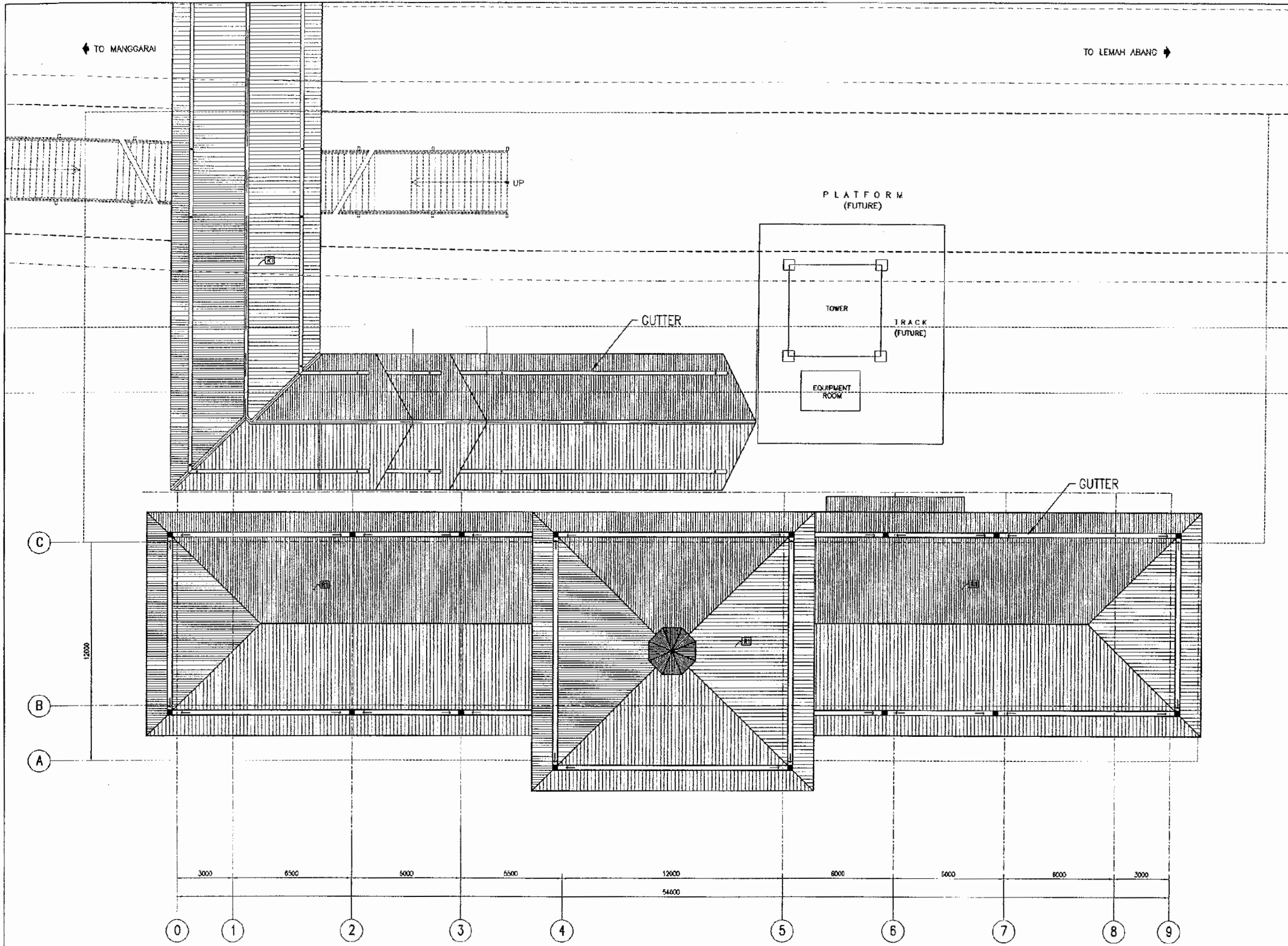
ARCHITECTURE

CIKARANG STATION

DATE 10/MARCH/2003

Drawing Title :
SECTION 2 & 3

Scale: 1 : 200 Drawing No:
AA-13-007



1 ROOF PLAN
SCALE 1 : 200

The Railway Electrification and Double - double Tracking of Java Main Line Project



Note:
This detailed design has been executed by a team of consultants as shown below in accordance with the agreement between Japan International Cooperation Agency (JICA) and JICA Study Team.
The copyright of this drawing rests with JICA.

Designed by:
Japan International Cooperation Agency (JICA)
JICA Study Team:
Joint Venture of Pacific Consultants International and Japan Railway Technical Service

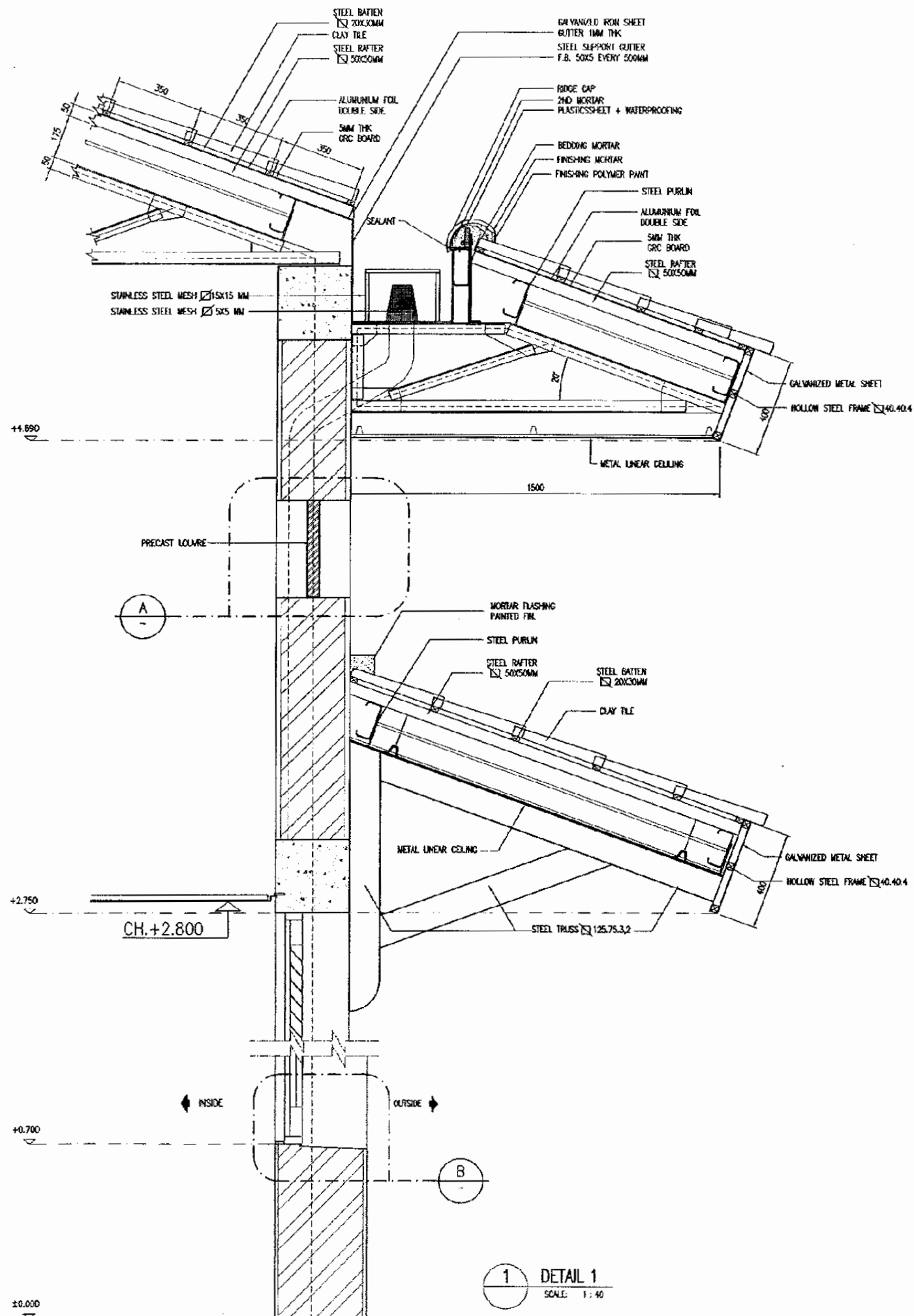
ARCHITECTURE

CIKARANG STATION

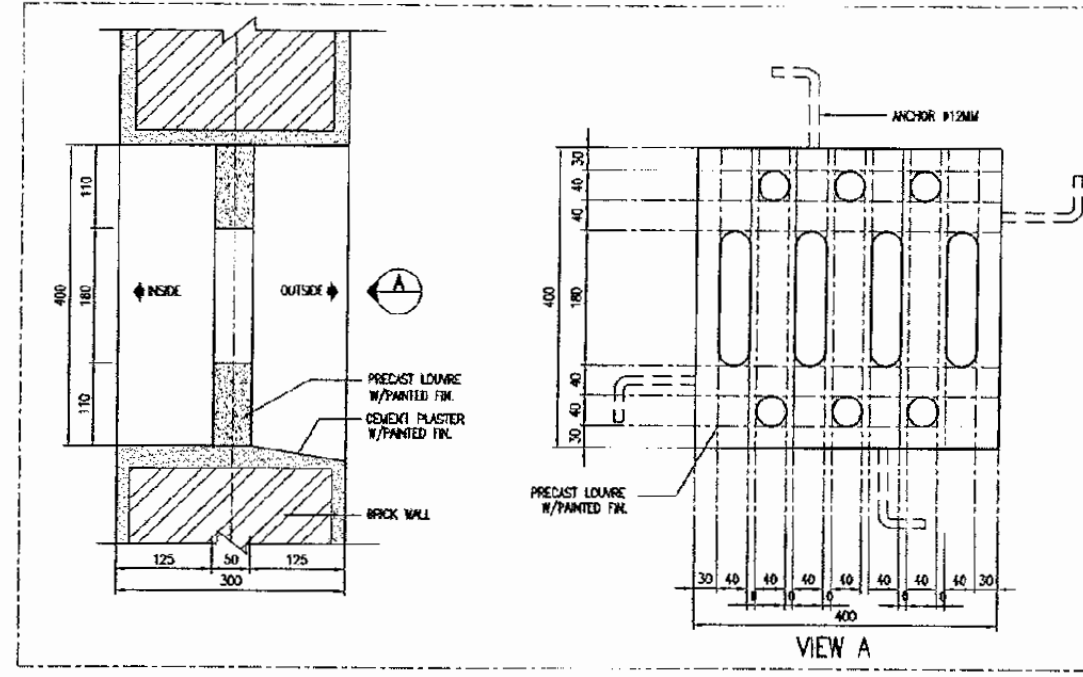
DATE 10/MARCH/2003

Drawing Title :
ROOF PLAN

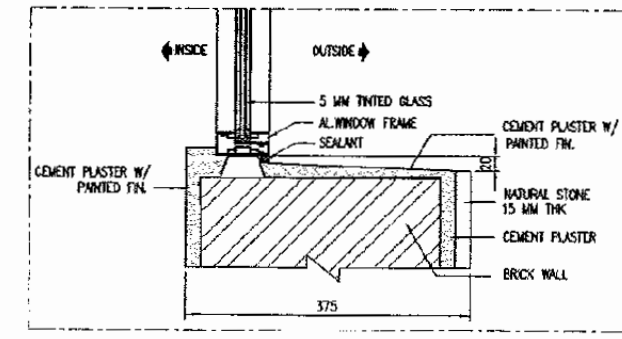
Scale: 1 : 200 Drawing No.: AA-13-008



1 DETAIL 1
SCALE: 1 : 40



2 DETAIL A (TYPICAL PRECAST LOUVER)
SCALE: 1 : 10



3 DETAIL C
SCALE: 1 : 10

The Railway Electrification and Double - double Tracking of Java Main Line Project



Note:
This detailed design has been executed by a team of consultants as shown below in accordance with the agreement between JICA (International Cooperation Agency) and JICA Study Team.
the copyright of this drawing rests with JICA.

Designed by:
Japan International Cooperation Agency (JICA)
JICA Study Team:
Joint Venture of Pacific Consultants International and Japan Railway Technical Service

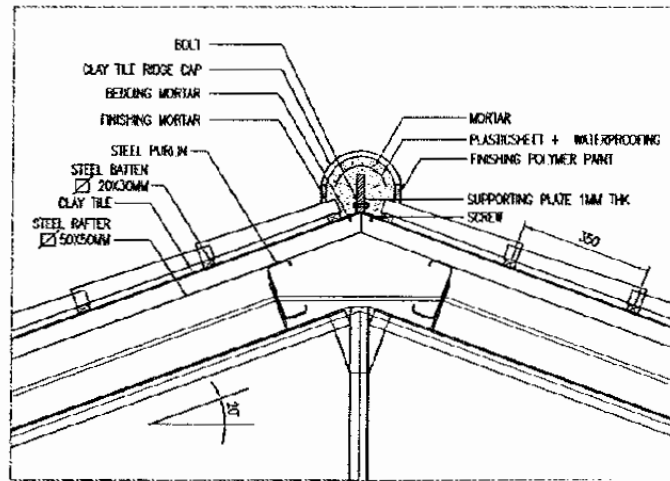
ARCHITECTURE

CIKARANG STATION

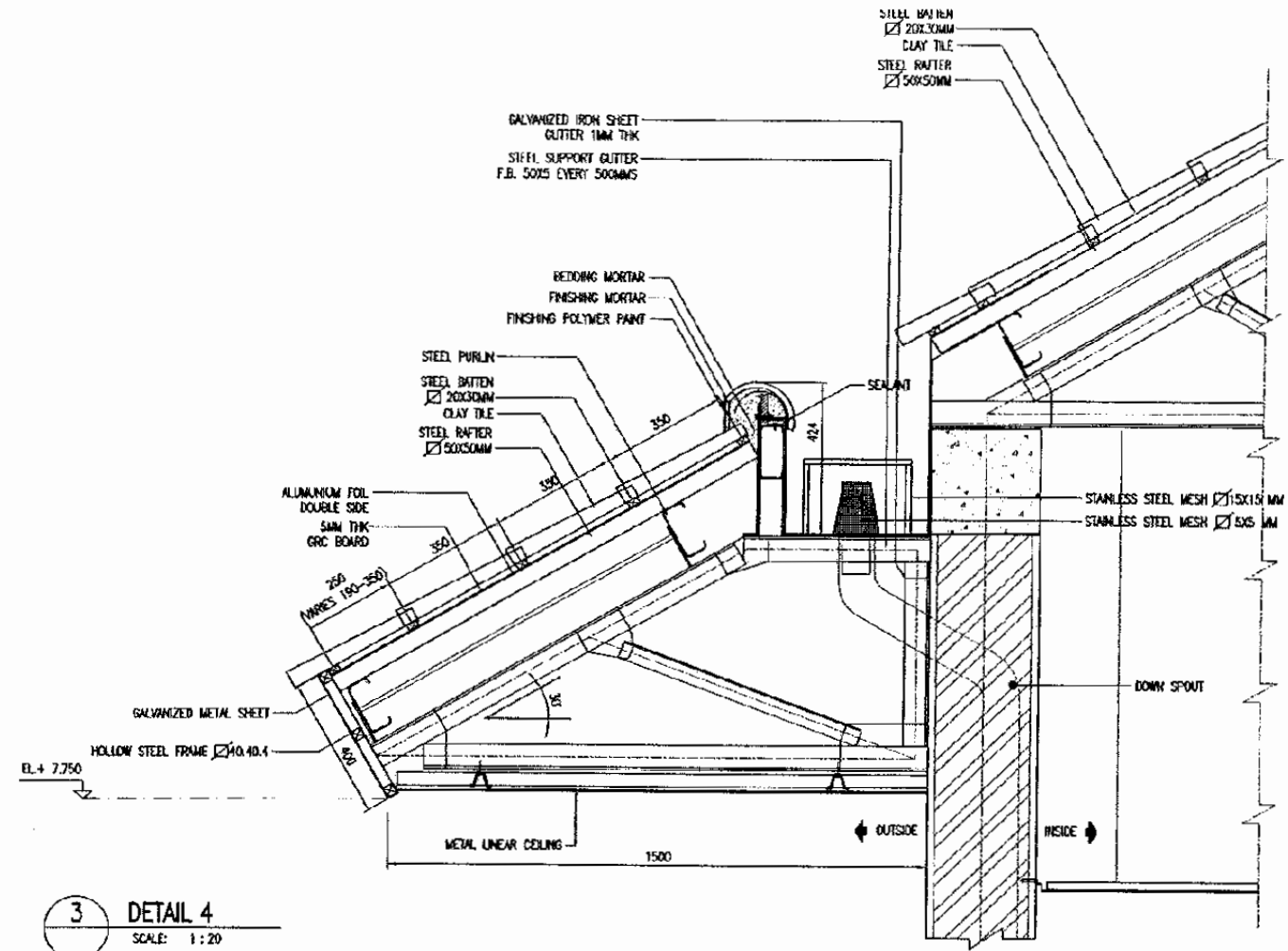
DATE 10/MARCH/2003

Drawing title :
SECTION DETAIL-1

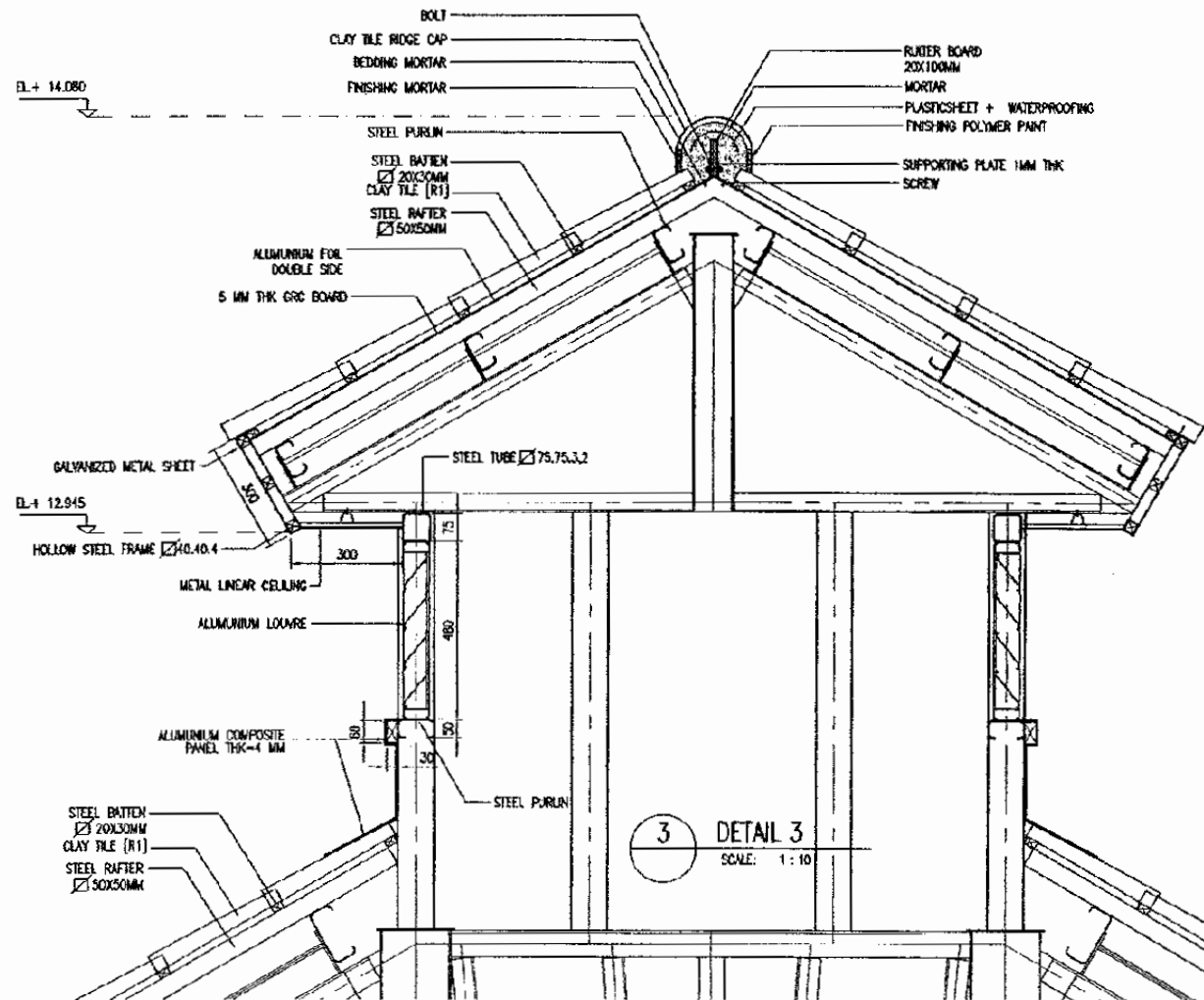
Scale: 1 : 20 Drawing No.: AA-13 009



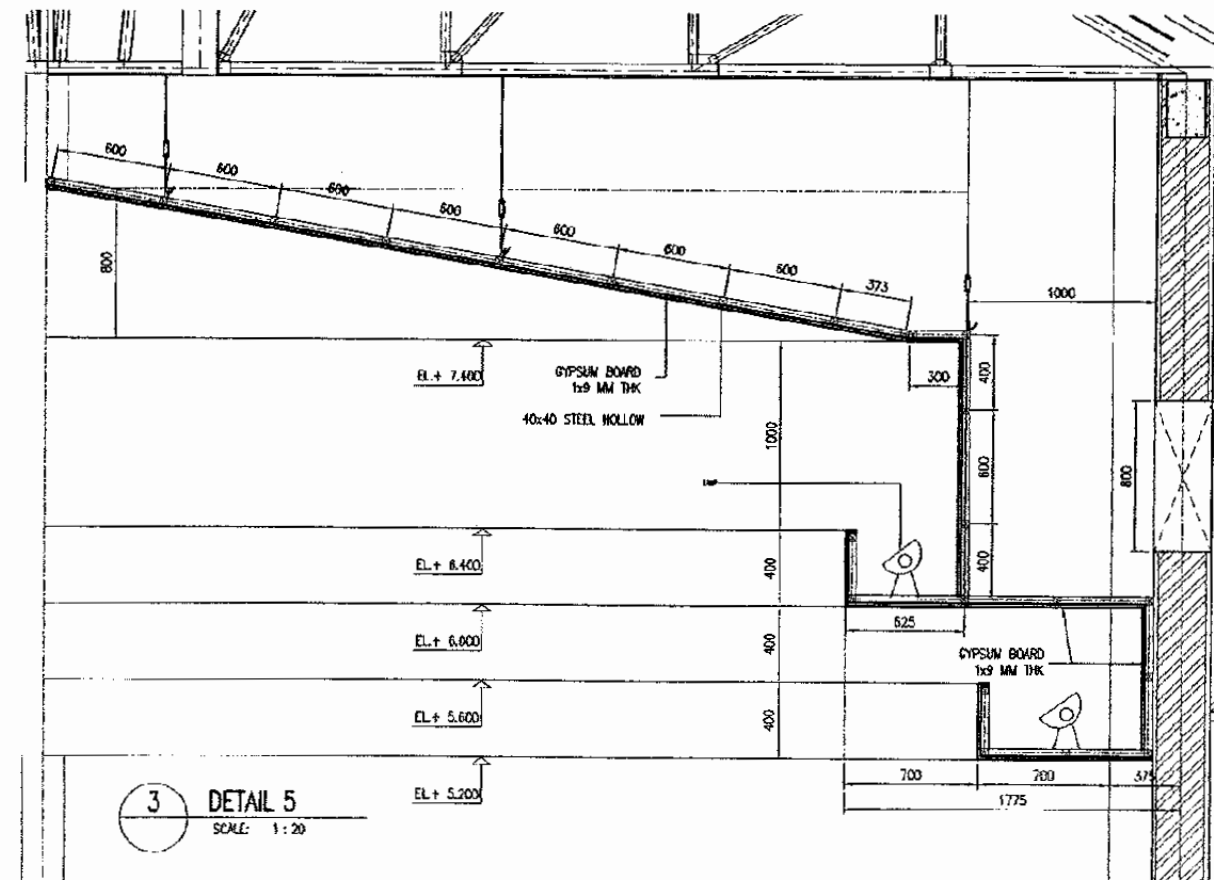
2 DETAIL 2
SCALE: 1:20



3 DETAIL 4
SCALE: 1:20



3 DETAIL 3
SCALE: 1:10



3 DETAIL 5
SCALE: 1:20

The Railway Electrification and
Double - double Tracking of
Java Main Line Project



Note:
This detailed design has been executed by a team
of consultants as shown below in accordance with
the agreement between Japan International
Cooperation Agency (JICA) and JICA Study Team.
The copyright of this drawing rests with JICA.

Designed by:
Japan International Cooperation
Agency (JICA)
JICA Study Team:
Joint Venture of
Pacific Consultants International and
Japan Railway Technical Service

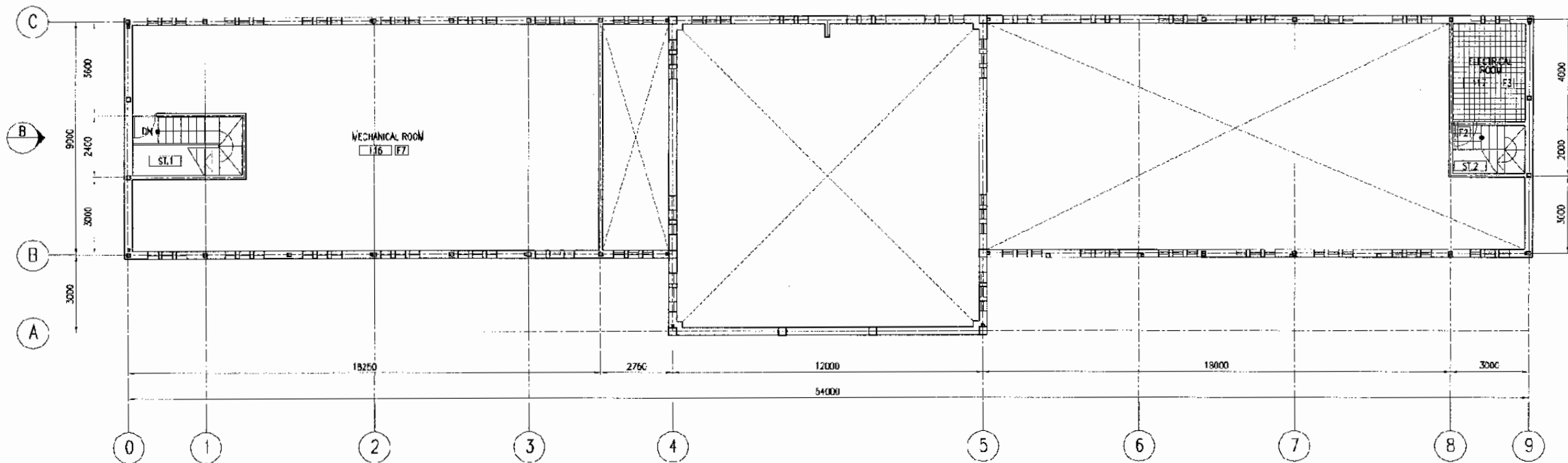
ARCHITECTURE

CIKARANG STATION

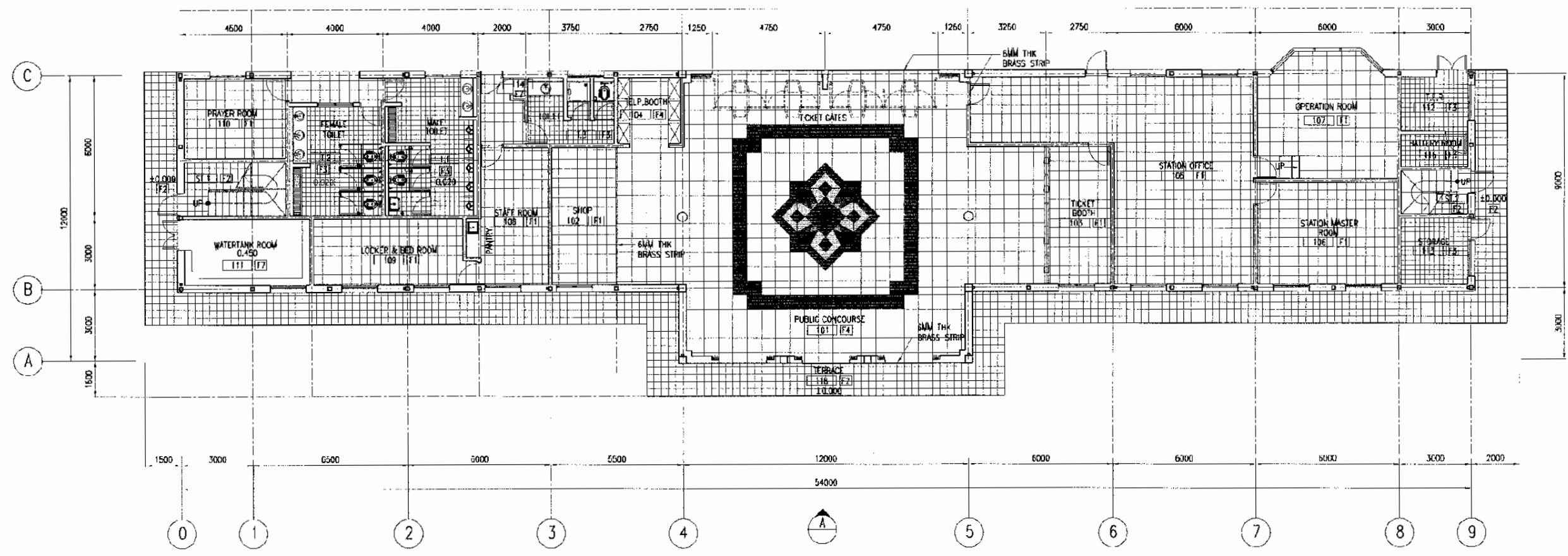
DATE 10/MARCH/2003

Drawing Title :
SECTION DETAIL 2

Scale: 1:20 Drawing No.:
AA-13-010



2 FIRST FLOOR PATTERN PLAN
SCALE 1 : 200



1 GROUND FLOOR PATTERN PLAN
SCALE 1 : 200

The Railway Electrification and Double - double Tracking of Java Main Line Project



Note:
-This detailed design has been executed by a team of consultants as shown below in accordance with the agreement between Japan International Cooperation Agency (JICA) and JICA Study team.
The copyright of this drawing rests with JICA.

Designed by:
Japan International Cooperation Agency (JICA)
JICA Study Team:
Joint Venture of Pacific Consultants International and Japan Railway Technical Service

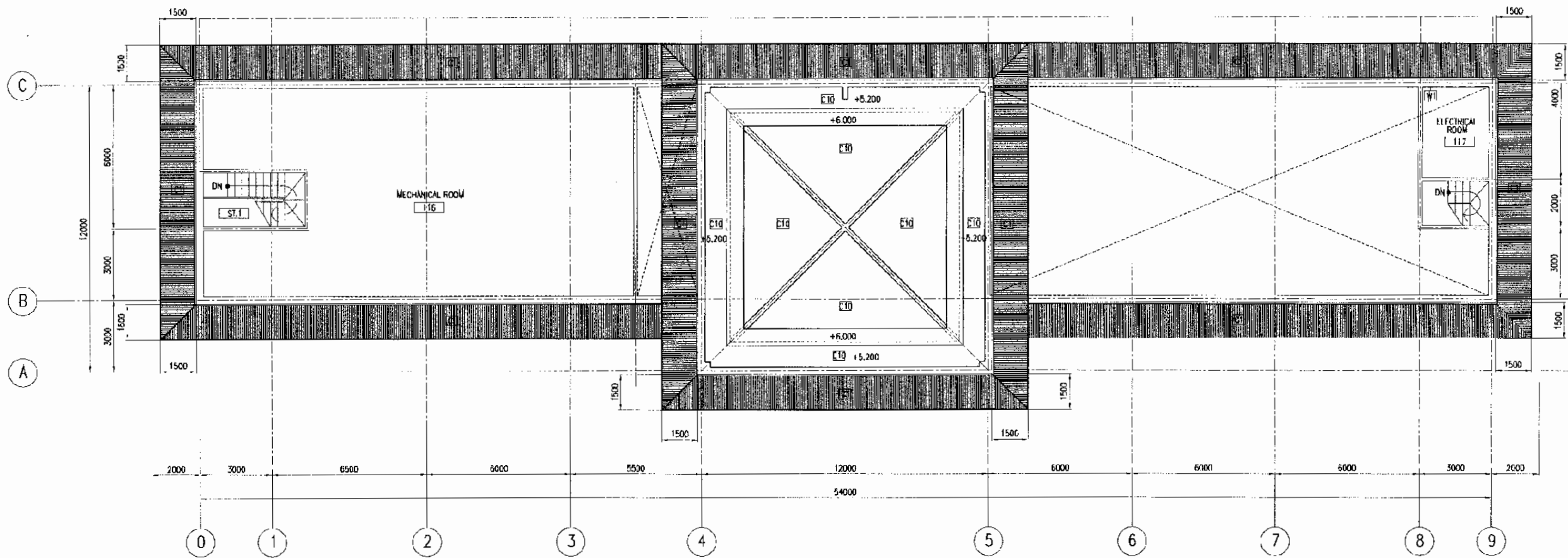
ARCHITECTURE

CIKARANG STATION

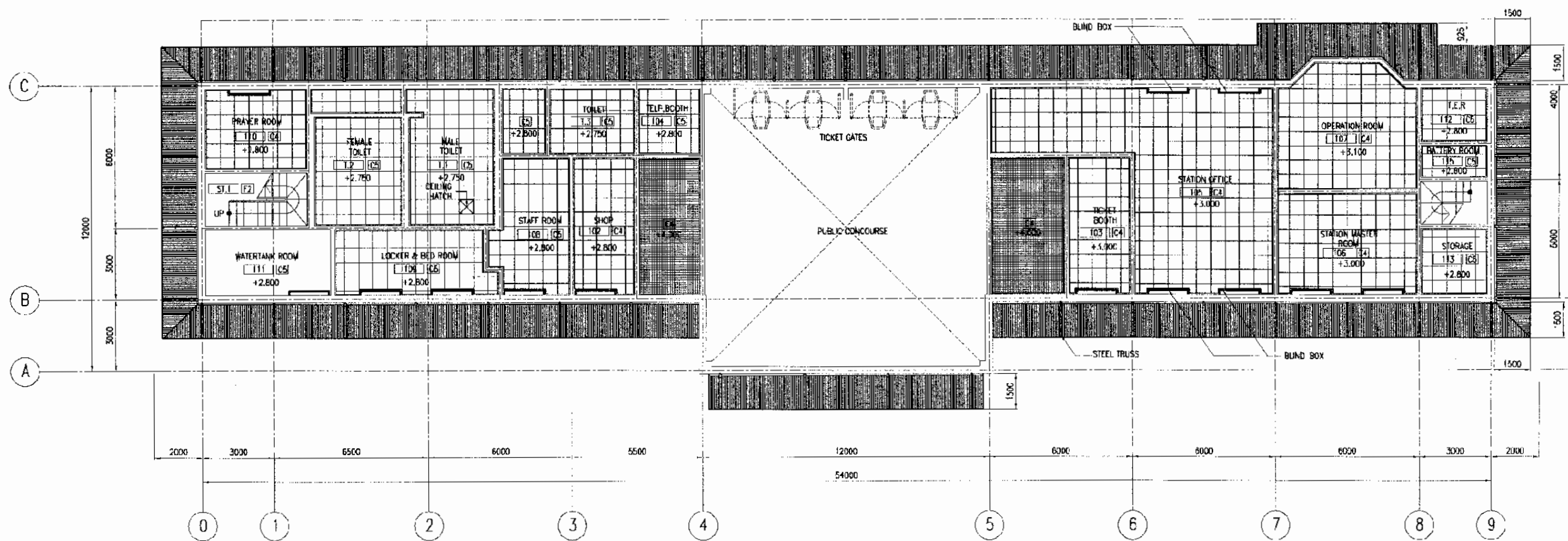
DATE 10/MARCH/2003

Drawing Title :
FLOOR PATTERN PLAN

Scale: 1 : 200 Drawing No.: AA-13-011



2 REFLECTED CEILING PLAN (PUBLIC CONCOURSE)
SCALE 1 : 200



1 GROUND REFLECTED CEILING PLAN
SCALE 1 : 200

The Railway Electrification and Double - double Tracking of Java Main Line Project



DEPARTEMEN PERHUBUNGAN
MINISTRY OF COMMUNICATION
DIREKTORAT JENDERAL PERHUBUNGAN DALAM
DIREKTORAT JENDERAL OF LAND COMMUNICATION
Jalan Medan Merdeka Barat No.3 Gedung Korpri Lt.11 Jakarta-10110
J A K A R T A

Note:
This detailed design has been executed by a team of consultants as shown below in accordance with the agreement between Japan International Cooperation Agency (JICA) and JICA Study Team.
The copyright of this drawing rests with JICA.

Designed by:
Japan International Cooperation Agency (JICA);
JICA Study Team:
Joint Venture of
Pacific Consultants International and
Japan Railway Technical Service

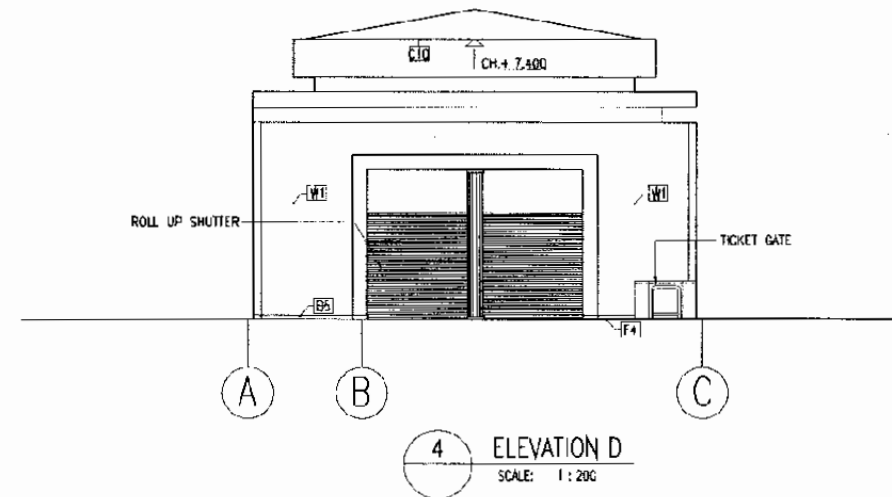
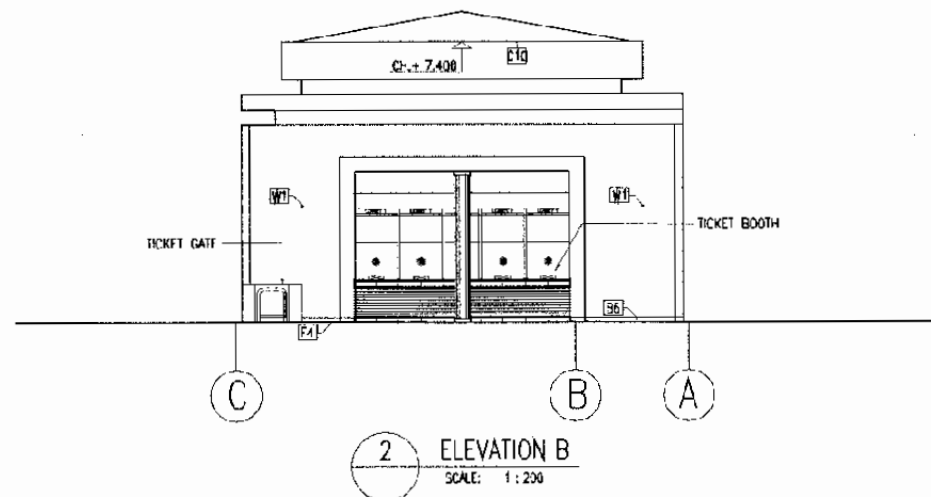
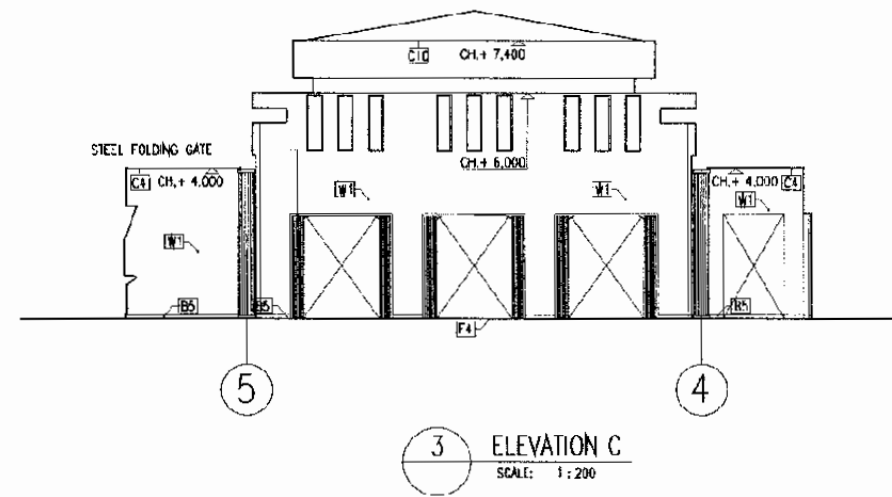
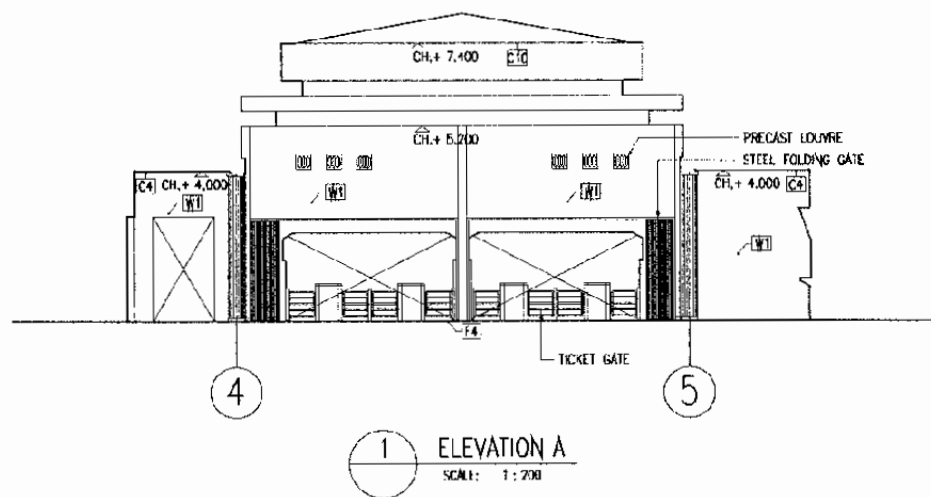
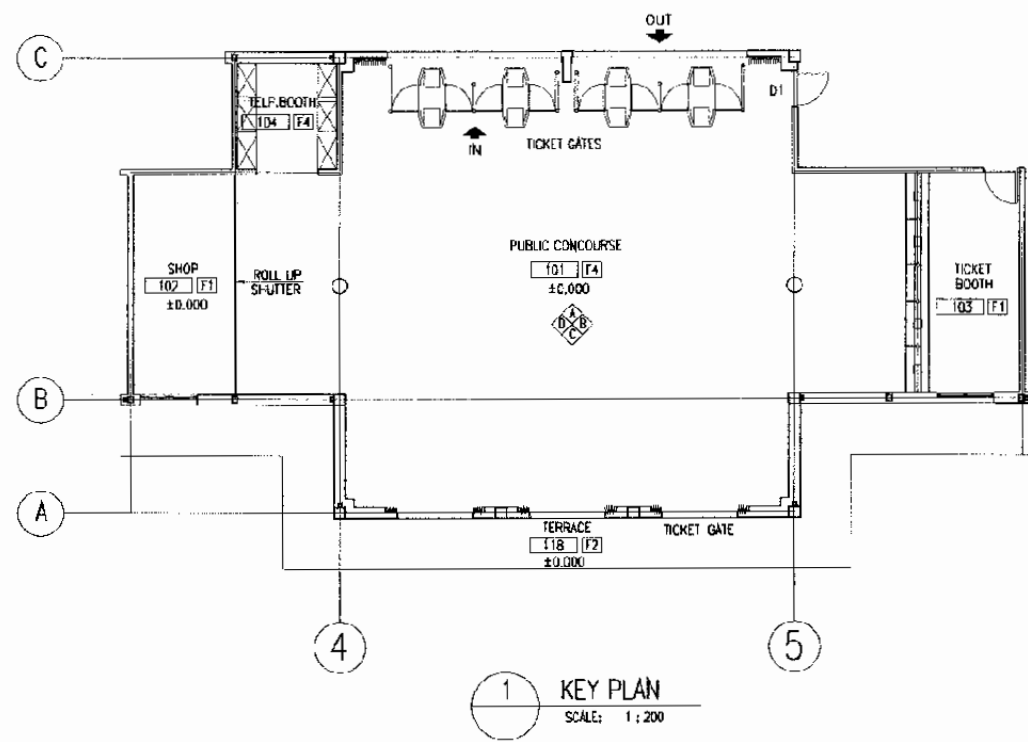
ARCHITECTURE

CIKARANG STATION

DATE 10/MARCH/2003

Drawing Title :
REFLECTED CEILING PLAN

Scale: 1 : 200 Drawing No.: AA-13-012



The Railway Electrification and Double - double Tracking of Java Main Line Project



DEPARTEMEN PERHUBUNGAN
MINISTRY OF COMMUNICATION
DIREKTORAT JENDERAL PERHUBUNGAN DARAT
DIREKTORAT GENERAL OF LAND COMMUNICATION
Jalan Medan Merdeka Barat no.5 Gedung Lempah 11110, 10111 - 3500526 - 3500529
JAKARTA

Note:
This detailed design has been executed by a team of consultants as shown below in accordance with the agreement between Japan International Cooperation Agency (JICA) and JICA Study team.
The copyright of this drawing rests with JICA.

Designed by:
Japan International Cooperation Agency (JICA)
JICA Study Team:
Joint Venture of
Pacific Consultants International and
Japan Railway Technical Service

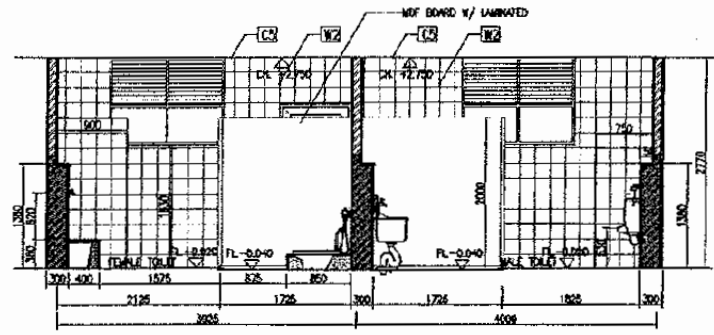
ARCHITECTURE

CIKARANG STATION

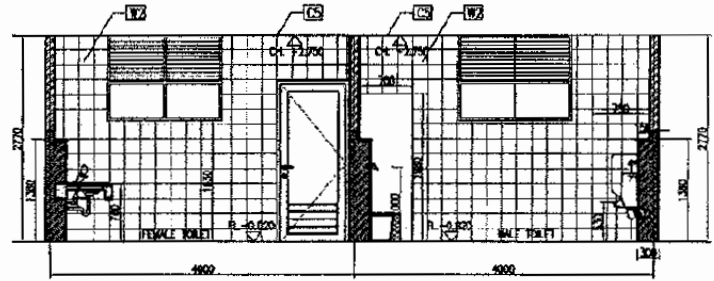
DATE 10/MARCH/2003

Drawing Title:
PUBLIC CONCOURSE
INTERNAL ELEVATIONS

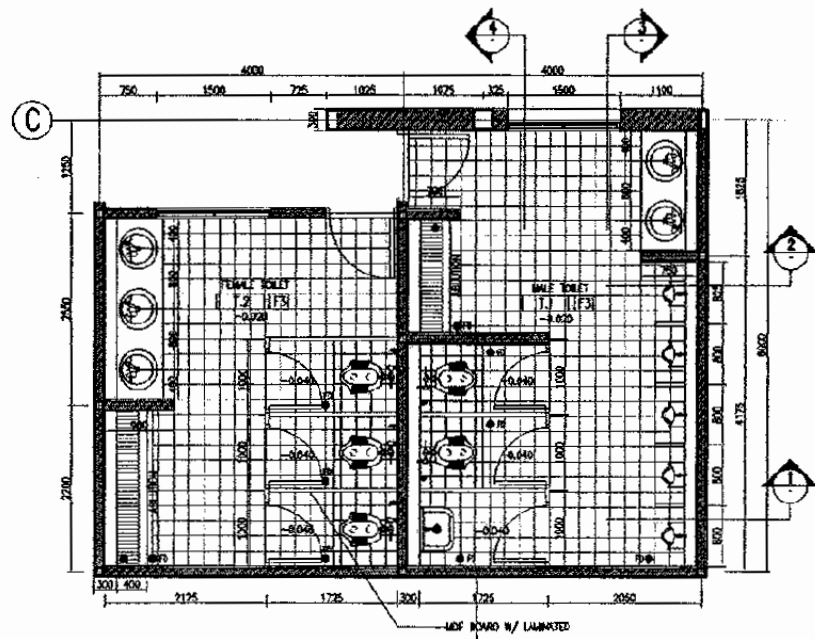
Scale: 1:200 Drawing No: AA 13 013



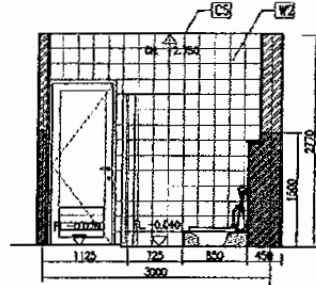
2 SECTION 1
SCALE: 1 : 50



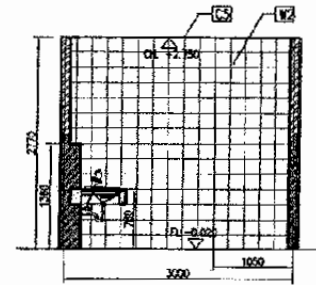
3 SECTION 2
SCALE: 1 : 50



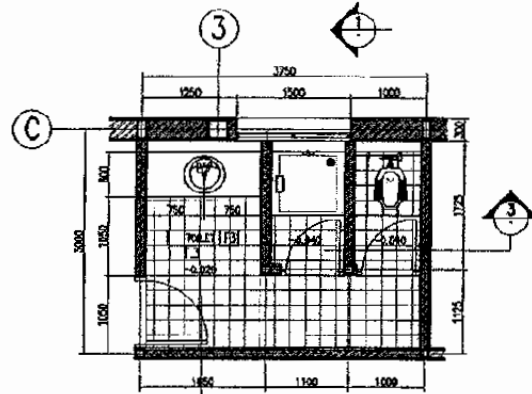
1 T.1 & T.2 PLAN
SCALE: 1 : 50



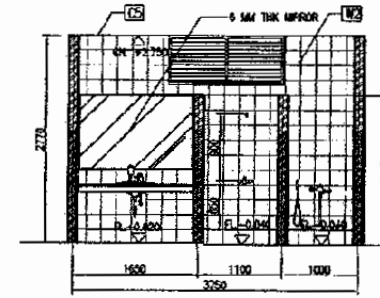
2 SECTION 1
SCALE: 1 : 50



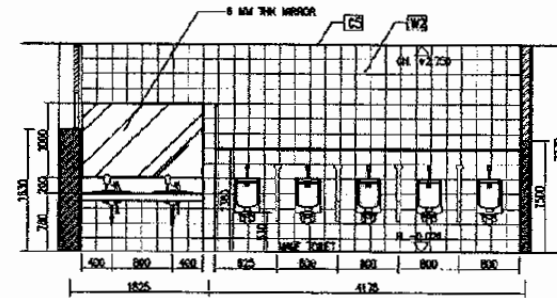
3 SECTION 2
SCALE: 1 : 50



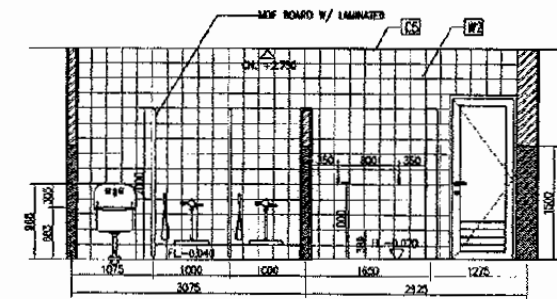
1 T.3 PLAN
SCALE: 1 : 50



4 SECTION 3
SCALE: 1 : 50



4 SECTION 3
SCALE: 1 : 50



5 SECTION 4
SCALE: 1 : 50

The Railway Electrification and
Double - double Tracking of
Java Main Line Project



Note:
This detailed design has been executed by a team
of consultants as shown below in accordance with
the agreement between Japan International
Cooperation Agency (JICA) and JICA Study Team.

The copyright of this drawing rests with JICA.

Designed by:
Japan International Cooperation
Agency (JICA)
JICA Study Team:
Joint Venture of
Pacific Consultants International and
Japan Railway Technical Service

ARCHITECTURE

CIKARANG STATION

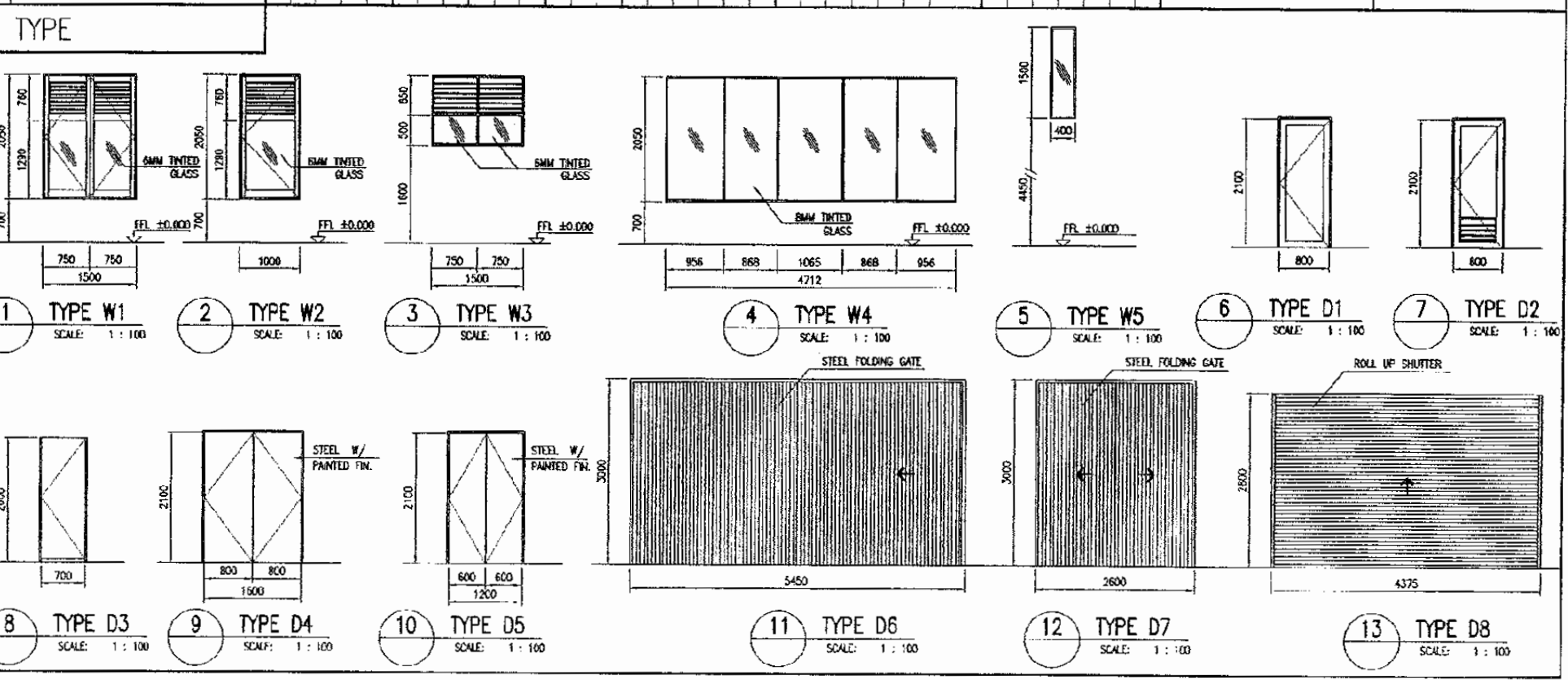
DATE 10/MARCH/2003

Drawing Title :
TOILET PLAN & SECTION

Scale: 1:100 Drawing No.:
AA-13-014

DOOR & WINDOW SCHEDULE

RN. NUMBER	ROOM NAME	DOOR QTY.		WINDOW QTY.					HARDWARE															REMARKS	NOTES											
		D1	D2	D3	D4	D5	D6	D7	D8	W1	W2	W3	W4	W5	A	B	C	D	E	F	G	H	J			K	L	M	N	O	P					
101	PUBLIC CONCOURSE					2	3							8																		A = LEVER HANDLE B = PUSH/PULL HANDLE C = FLUSH BOLD D = LOCK CASE (CYLINDER) E = DOOR CLOSER F = DOOR STOP G/J= BUTT HINGE H = SIGN PLATE K = CRESENT LOCK L = ARM/FRICTION STAY M = CAMLATCH HANDLE N = ARM STOPPER O = FLUSH BOLD P = FIXED POINT	D6 & D7 = STEEL FOLDING GATE D8 = ROLL UP SHUTTER			
102	SHOP						1							1																						
103	TICKET BOOTH	1																																		
104	TEL. BOOTH																																			
105	STATION OFFICE					1																														
106	STATION MASTER ROOM	1																																		
107	OPERATION ROOM	1																																		
108	STAFF ROOM & PANTRY	1																																		
109	LOCKER & BED ROOM	1																																		
110	PRAYER ROOM	1																																		
111	WATER TANK ROOM							1																												
112	T.E.R (TELECOMMUNICATION EQUIPMENT ROOM)																																			
113	STORAGE						1																													
114	BOILER ROOM					1																														
115	BATTERY ROOM	1																																		
116	MECHANICAL ROOM	1																																		
117	ELECTRICAL ROOM	1																																		
118	TERRACE																																			
T.1	MALE TOILET			1																																
T.2	FEMALE TOILET			1																																
T.3	TOILET			1	2																															
ST.1	STAIR 1						1																													
ST.2	STAIR 2						1																													
DOOR FRAME MATERIAL		AL	AL	AL	ST	ST	ST	ST	ST	ST	ST	ST	ST	ST	ST	ST	ST	ST	ST	ST	ST	ST	ST	ST	ST	ST	ST	ST	ST	ST	ST	ST	ST	ST	ST	
DOOR FRAME FIN. MATERIAL		PC	PC	PC	AP	AP	AP	AP	AP	AP	AP	AP	AP	AP	AP	AP	AP	AP	AP	AP	AP	AP	AP	AP	AP	AP	AP	AP	AP	AP	AP	AP	AP	AP	AP	
DOOR LEAF MATERIAL		DTW	DTW	DTW	ST	ST	ST	ST	ST	ST	ST	ST	ST	ST	ST	ST	ST	ST	ST	ST	ST	ST	ST	ST	ST	ST	ST	ST	ST	ST	ST	ST	ST	ST	ST	
DOOR LEAF FIN. MATERIAL		AP	AP	AP	AP	AP	AP	AP	AP	AP	AP	AP	AP	AP	AP	AP	AP	AP	AP	AP	AP	AP	AP	AP	AP	AP	AP	AP	AP	AP	AP	AP	AP	AP	AP	AP
WINDOW FRAME MATERIAL														AL	AL	AL	AL	AL	AL	AL	AL	AL	AL	AL	AL	AL	AL	AL	AL	AL	AL	AL	AL	AL		
WINDOW FRAME FIN. MATERIAL														PC	PC	PC	PC	PC	PC	PC	PC	PC	PC	PC	PC	PC	PC	PC	PC	PC	PC	PC	PC	PC		
WINDOW LEAF MATERIAL														ALG	ALG	GL	GL	GL	GL	GL	GL	GL	GL	GL	GL	GL	GL	GL	GL	GL	GL	GL	GL	GL		
WINDOW LEAF FIN. MATERIAL														PC	PC																					
TOTAL		9	3	3	4	2	2	3	1	1	1	1	1	12	1	4	1	9																		



The Railway Electrification and Double - double Tracking of Java Main Line Project



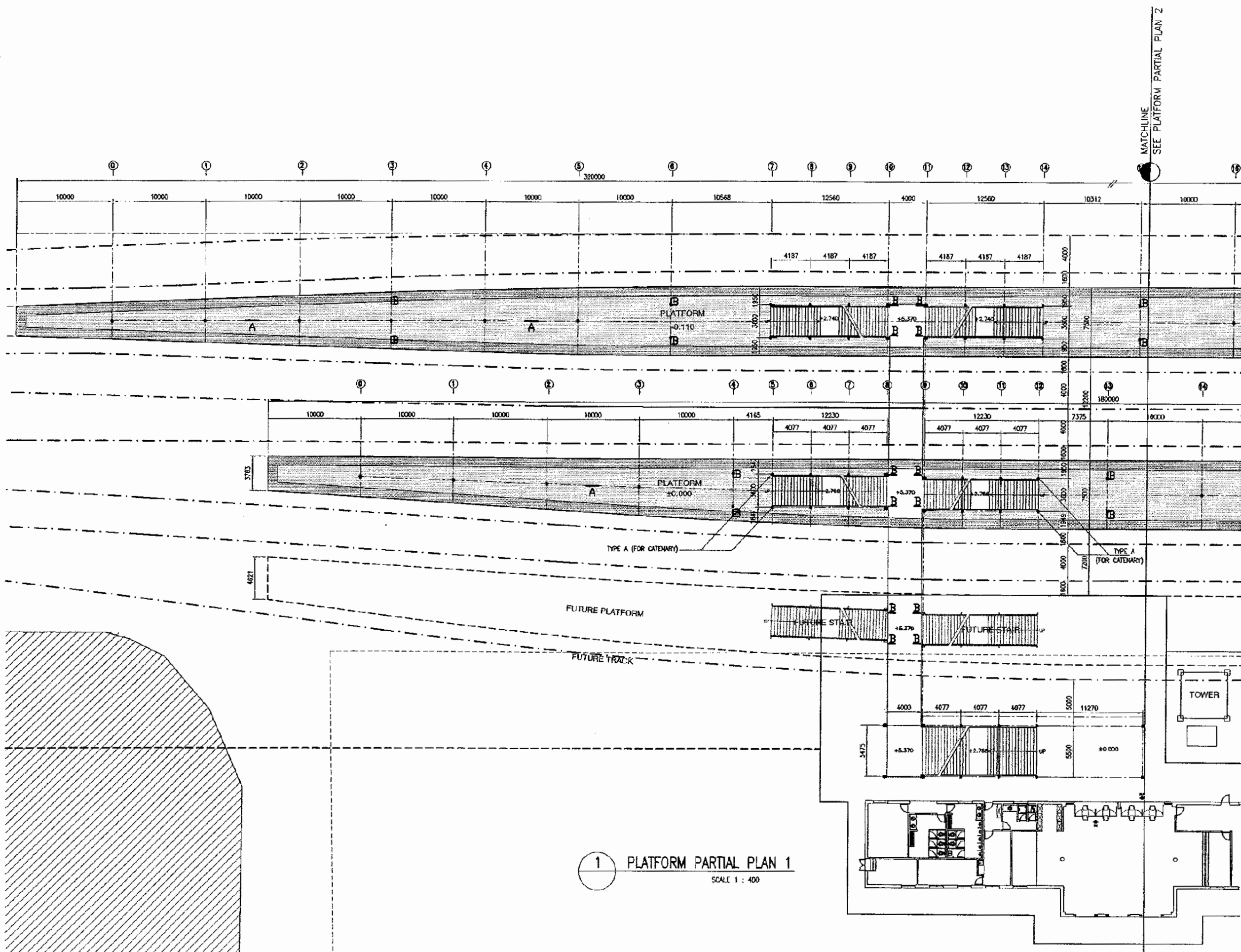
Note:
This detailed design has been executed by a team of consultants as shown below in accordance with the agreement between Japan International Cooperation Agency (JICA) and JICA Study Team.

The copyright of this drawing rests with JICA.

Designed by:
Japan International Cooperation Agency (JICA)
JICA Study Team:
Joint Venture of Pacific Consultants International and Japan Railway Technical Service

ARCHITECTURE
CIKARANG STATION
DATE 10/MARCH/2003

Drawing Title :
DOOR & WINDOW SCHEDULE
Scale: NTS 1:100 Drawing No.: AA-13-016



1 PLATFORM PARTIAL PLAN 1
SCALE 1 : 400

VISUAL SIGN TYPE
A : STATION NAME SIGN OF PLATFORM
B : NAME OF PLATFORM

The Railway Electrification and Double - double Tracking of Java Main Line Project



Note:
This related design has been executed by a team of consultants as shown below in accordance with the agreement between Japan International Cooperation Agency (JICA) and JICA Study Team.
The copyright of this drawing rests with JICA.

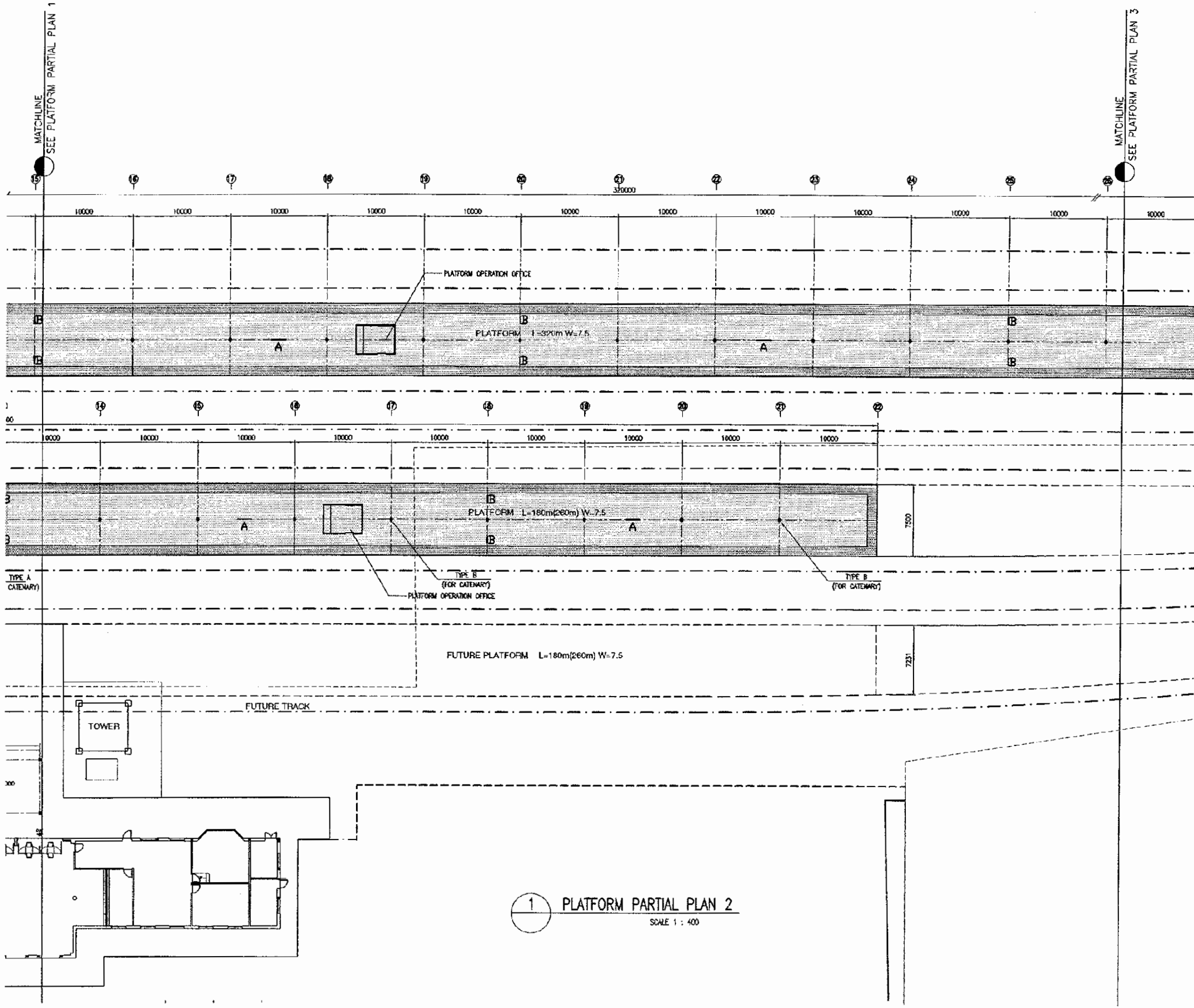
Designed by:
Japan International Cooperation Agency (JICA)
JICA Study Team:
Joint Venture of Pacific Consultants International and Japan Railway Technical Service

ARCHITECTURE
CIKARANG STATION

DATE 10/MARCH/2003

Drawing Title :
PLATFORM PARTIAL PLAN - 1 & VISUAL SIGN LAYOUT

Scale: 1 : 400 Drawing No: AA-13-017



1 PLATFORM PARTIAL PLAN 2
SCALE 1 : 400

VISUAL SIGN TYPE
A : STATION NAME SIGN OF PLATFORM
B : NAME OF PLATFORM

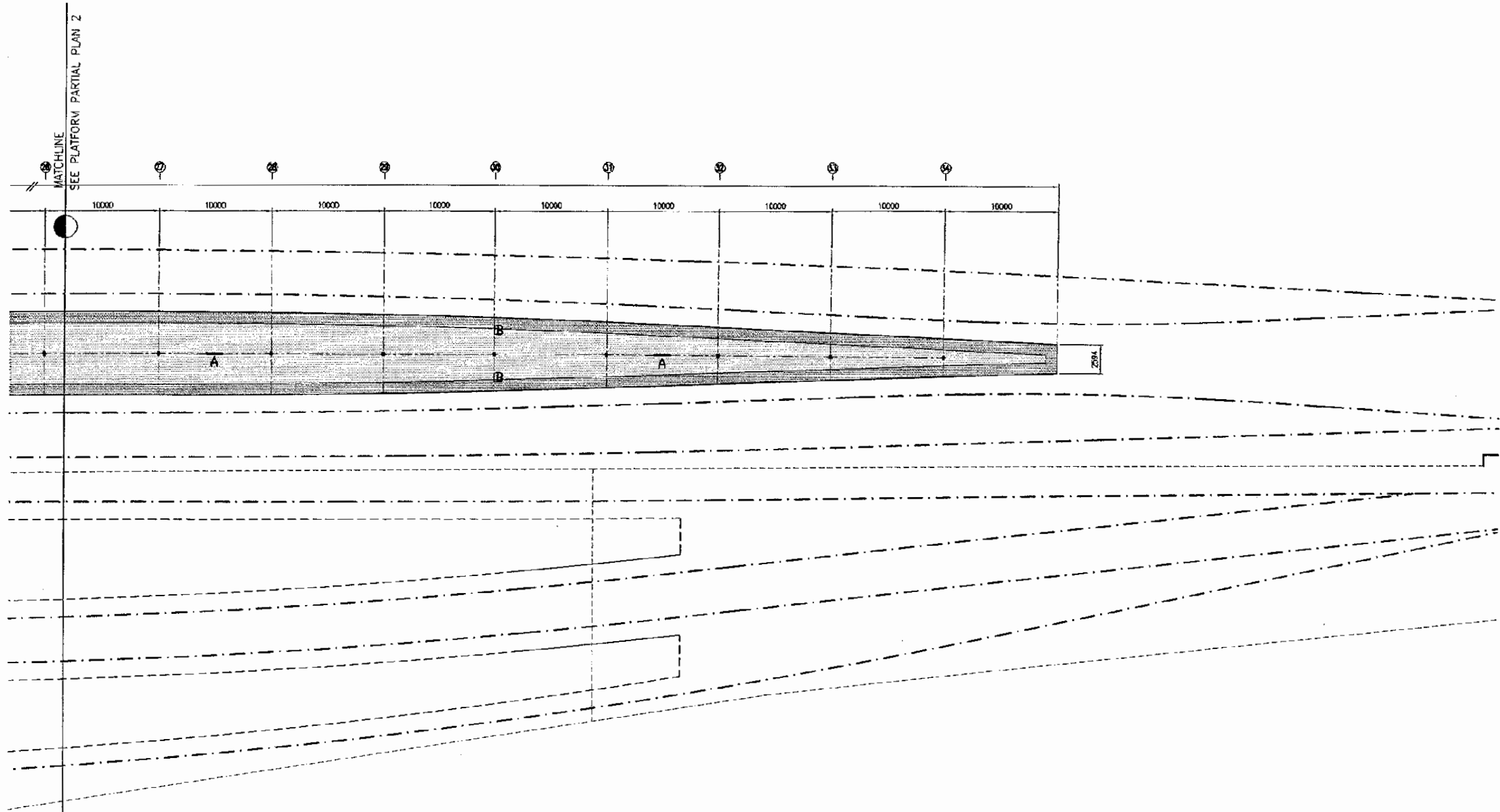
The Railway Electrification and
Double - double Tracking of
Java Main Line Project



Note:
This detailed design has been executed by a team of consultants as shown below in accordance with the agreement between Japan International Cooperation Agency (JICA) and JICA Study team.
The copyright of this drawing rests with JICA.

Designed by:
Japan International Cooperation Agency (JICA)
JICA Study Team:
Joint Venture of
Pacific Consultants International and
Japan Railway Technical Service

ARCHITECTURE	
CIKARANG STATION	
DATE	10/MARCH/2003
Drawing Title :	
PLATFORM PARTIAL PLAN - 2 & VISUAL SIGN LAYOUT	
Scale:	Drawing No.:
1 : 400	AA-13-018



1 PLATFORM PARTIAL PLAN 3
SCALE 1 : 400

VISUAL SIGN TYPE
A : STATION NAME SIGN OF PLATFORM
B : NAME OF PLATFORM

The Railway Electrification and
Double - double Tracking of
Java Main Line Project



Note:
This detailed design has been executed by a team of consultants as shown below in accordance with the agreement between Japan International Cooperation Agency (JICA) and JICA Study Team.
The copyright of this drawing rests with JICA.

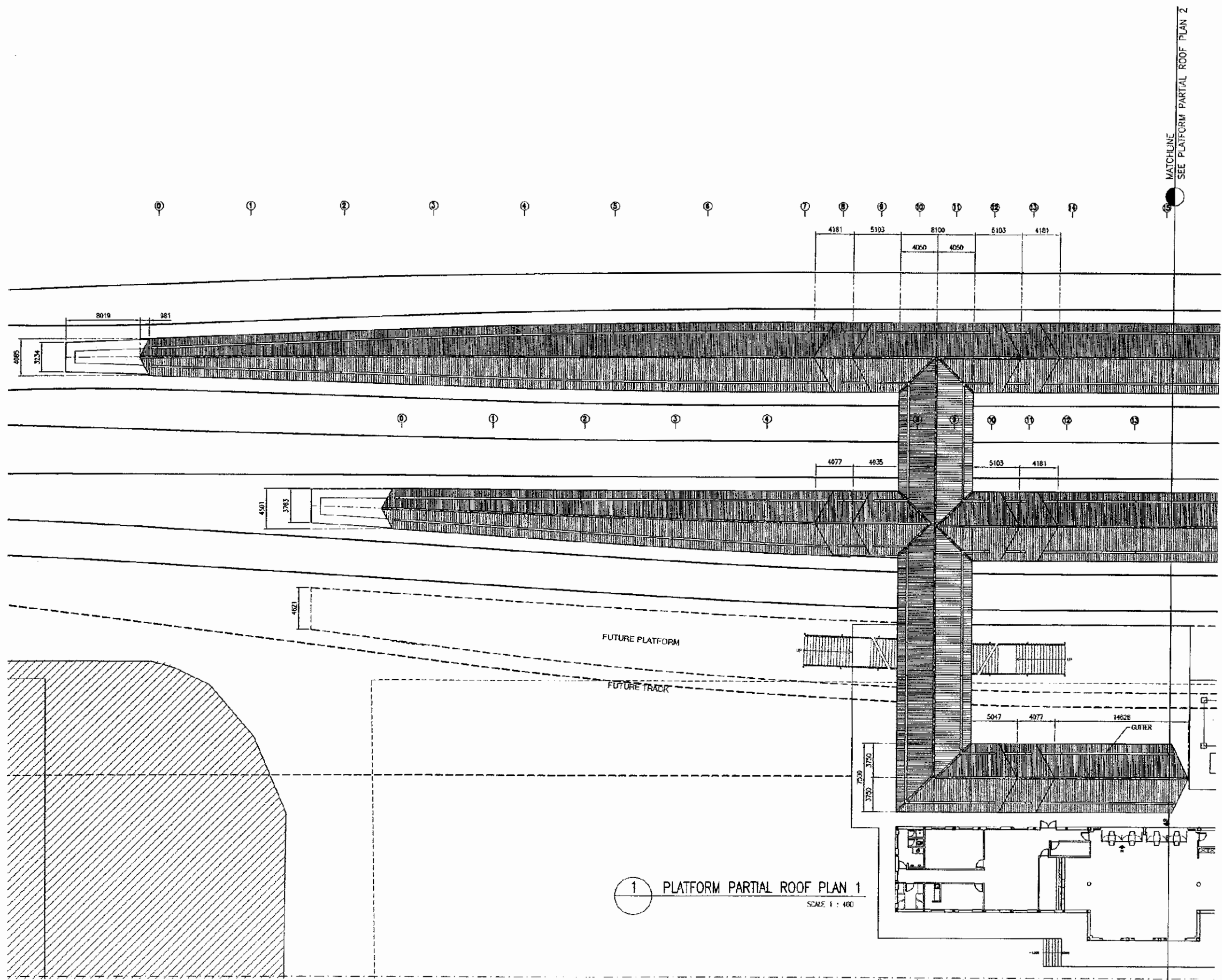
Designed by:
Japan International Cooperation Agency (JICA)
JICA Study Team:
Joint Venture of
Pacific Consultants International and
Japan Railway Technical Service

ARCHITECTURE
CIKARANG STATION

DATE 10/MARCH/2003

Drawing Title :
PLATFORM PARTIAL PLAN - 3
& VISUAL SIGN LAYOUT

Scale: 1 : 400 Drawing No: AA-13-019



1 PLATFORM PARTIAL ROOF PLAN 1
SCALE 1 : 400

MATCHLINE
SEE PLATFORM PARTIAL ROOF PLAN 2

The Railway Electrification and
Double - double Tracking of
Java Main Line Project



Note:
This detailed design has been executed by a team
of consultants as shown below in accordance with
the agreement between Japan International
Cooperation Agency (JICA) and JICA Study Team.
The copyright of this drawing rests with JICA.

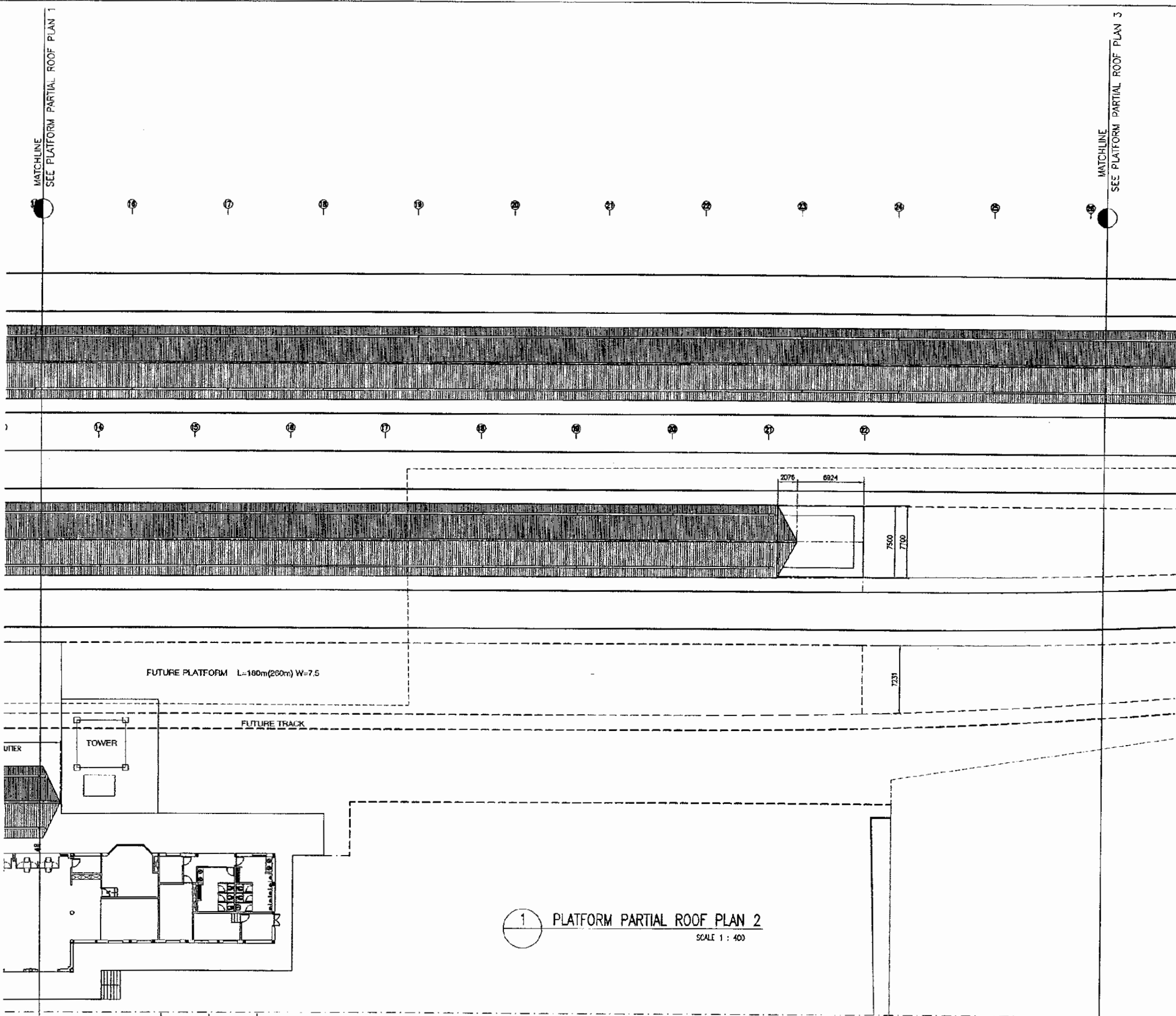
Designed by:
Japan International Cooperation
Agency (JICA)
JICA Study Team:
Joint Venture of
Pacific Consultants International and
Japan Railway Technical Service

ARCHITECTURE
CIKARANG STATION

DATE 10/MARCH/2003

Drawing Title :
PLATFORM PARTIAL
ROOF PLAN -1

Scale: 1 : 400 Drawing No.: AA-13-020



1 PLATFORM PARTIAL ROOF PLAN 2
SCALE 1 : 400

The Railway Electrification and
Double - double Tracking of
Java Main Line Project



Note:
This detailed design has been executed by a team
of consultants as shown below in accordance with
the agreement between Japan International
Cooperation Agency (JICA) and JICA Study Team.
The copyright of this drawing rests with JICA.

Designed by:
Japan International Cooperation
Agency (JICA)
JICA Study Team:
Joint Venture of
Pacific Consultants International and
Japan Railway Technical Service

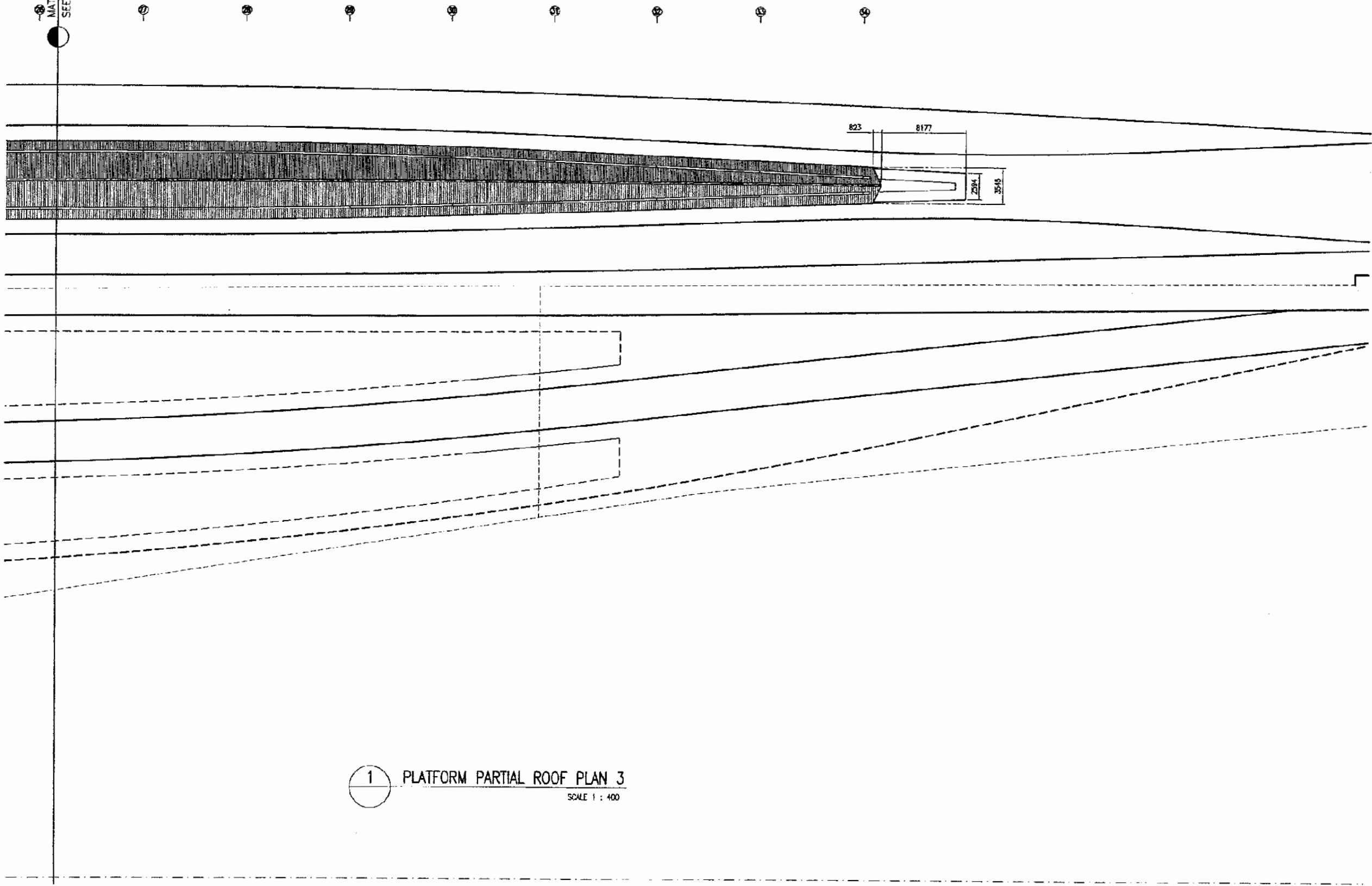
ARCHITECTURE
CIKARANG STATION

DATE 10/MARCH/2003

Drawing Title :
PLATFORM PARTIAL
ROOF PLAN -2

Scale: 1 : 400 Drawing No: AA-13-021

MATCHLINE
SEE PLATFORM PARTIAL ROOF PLAN 2



1 PLATFORM PARTIAL ROOF PLAN 3
SCALE 1 : 400

The Railway Electrification and
Double - double Tracking of
Java Main Line Project



Note:
This detailed design has been executed by a team
of consultants as shown below in accordance with
the agreement between Japan International
Cooperation Agency (JICA) and JICA Study Team.

The copyright of this drawing rests with JICA.

Designed by:
Japan International Cooperation
Agency (JICA)
JICA Study Team:
Joint Venture of
Pacific Consultants International and
Japan Railway Technical Service

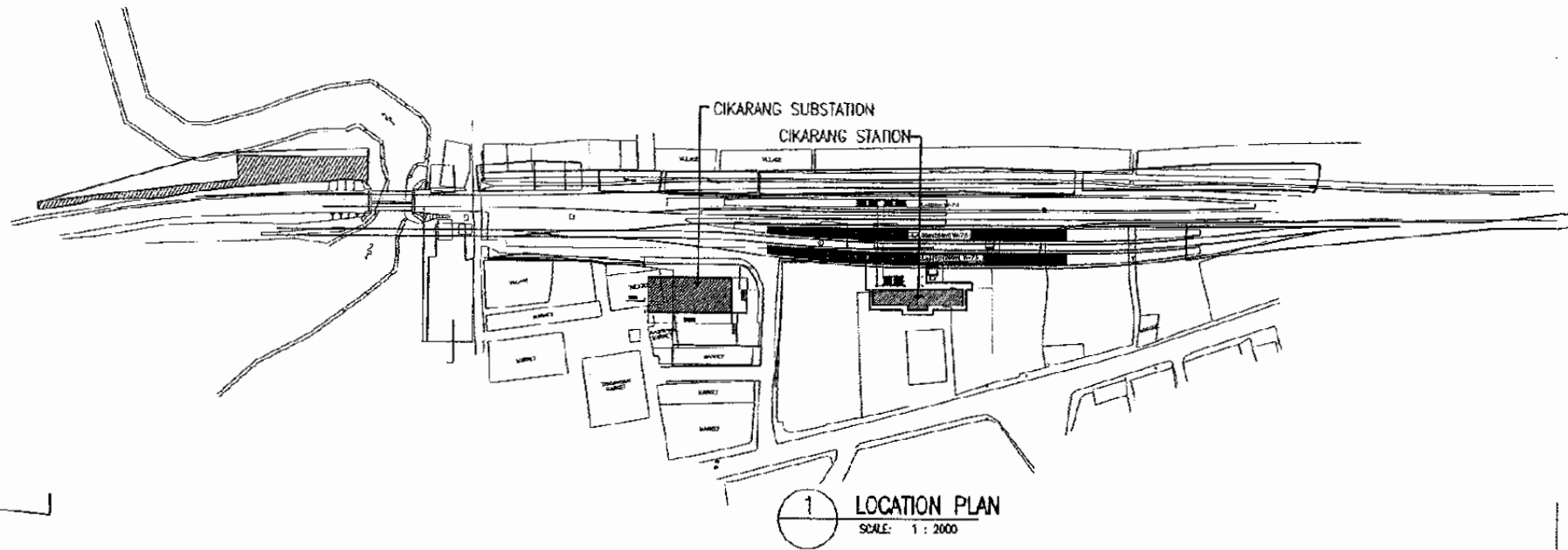
ARCHITECTURE
CIKARANG STATION

DATE 10/MARCH/2003

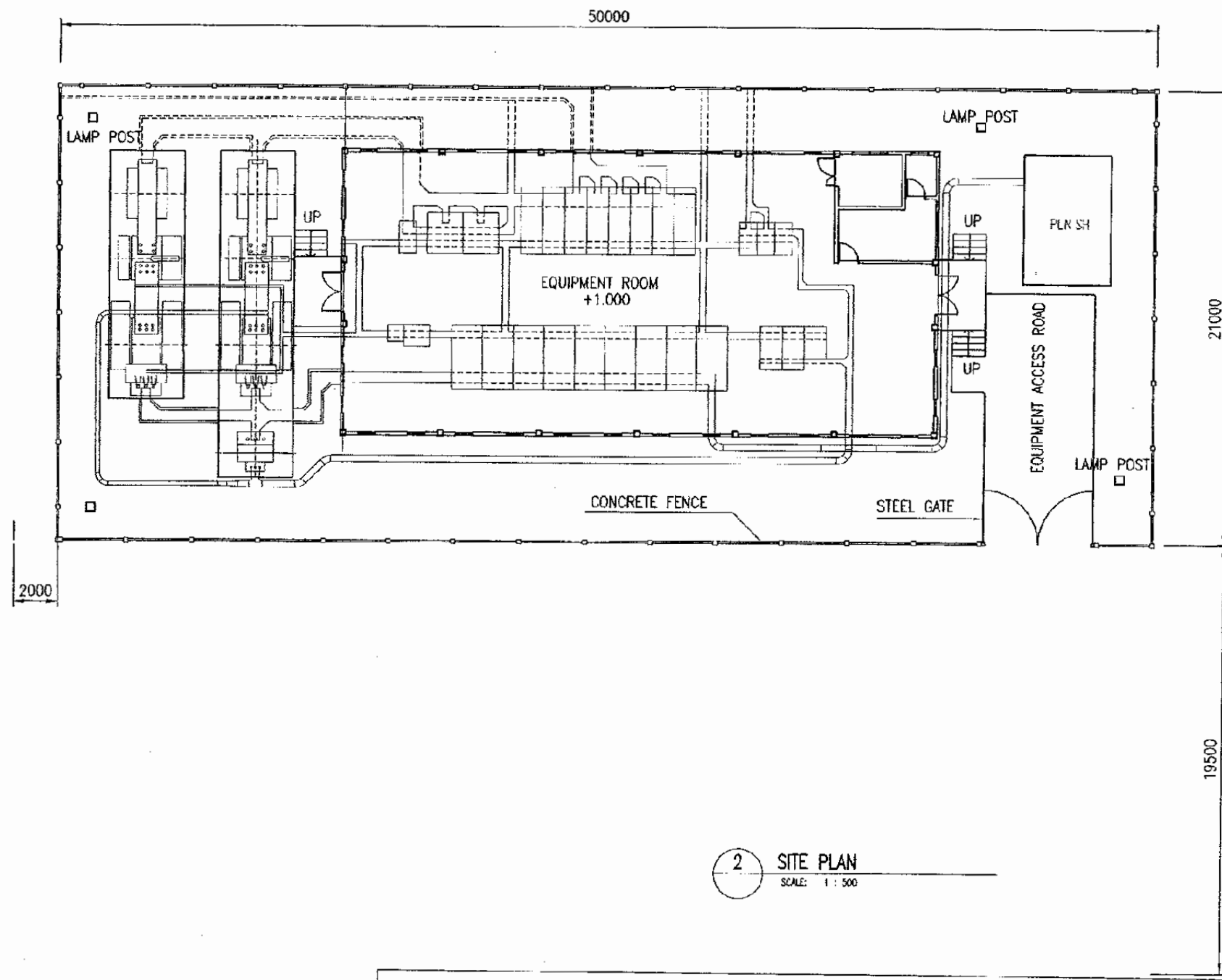
Drawing Title :
PLATFORM PARTIAL
ROOF PLAN -3

Scale: 1 : 400 Drawing No.: AA-13-022

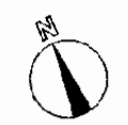
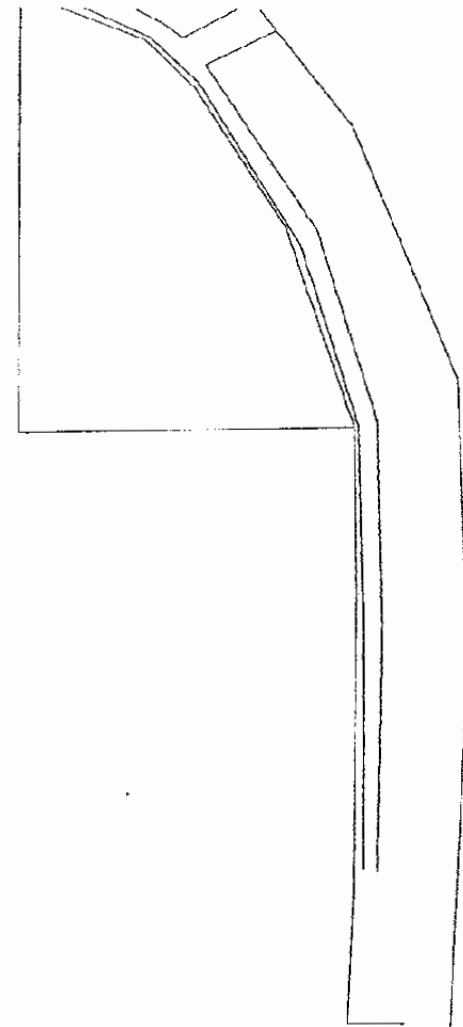
OTHER RELATED BUILDINGS



1 LOCATION PLAN
SCALE: 1 : 2000



2 SITE PLAN
SCALE: 1 : 500



The Railway Electrification and Double - double Tracking of Java Main Line Project



Note:
This detailed design has been executed by a team of consultants as shown below in accordance with the agreement between Japan International Cooperation Agency (JICA) and JICA Study Team.
The copyright of this drawing rests with JICA.

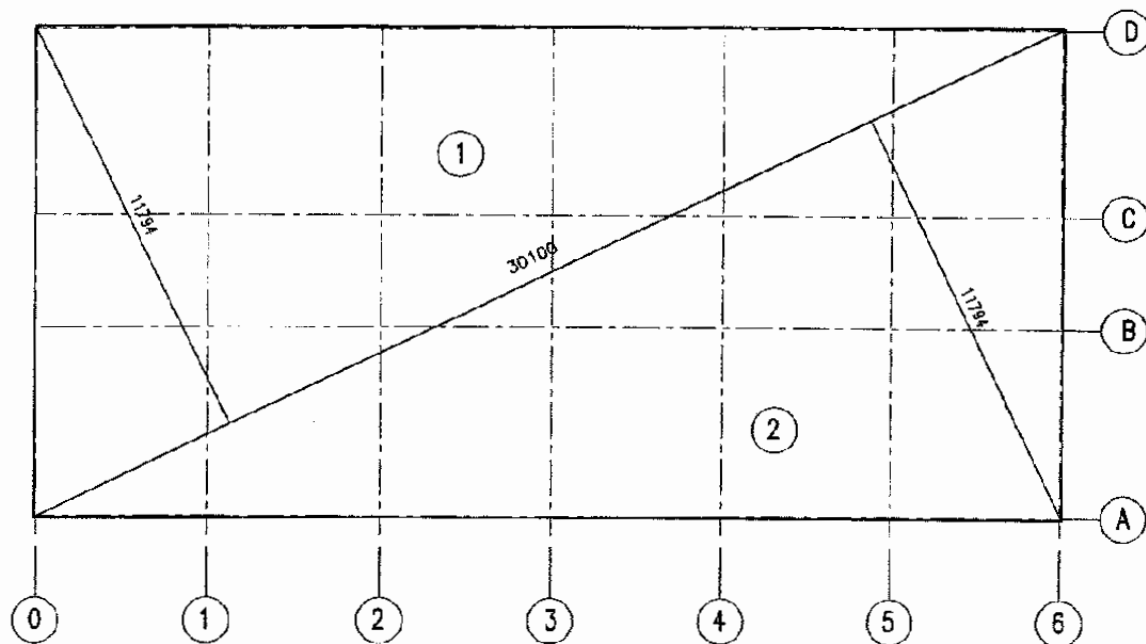
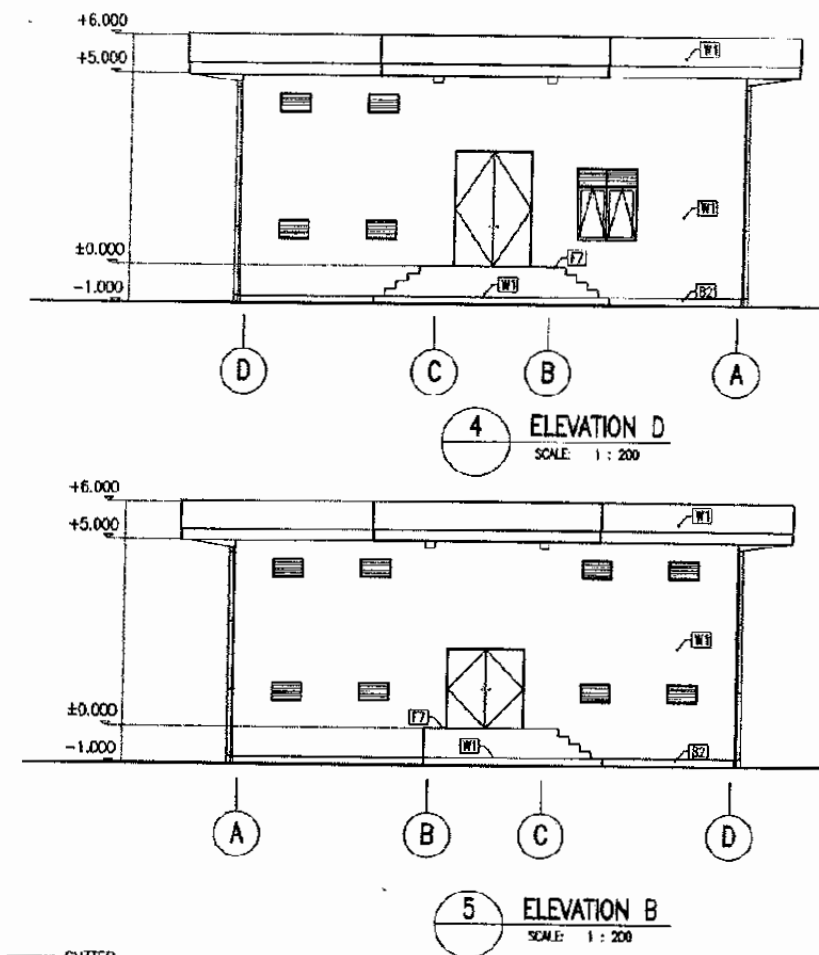
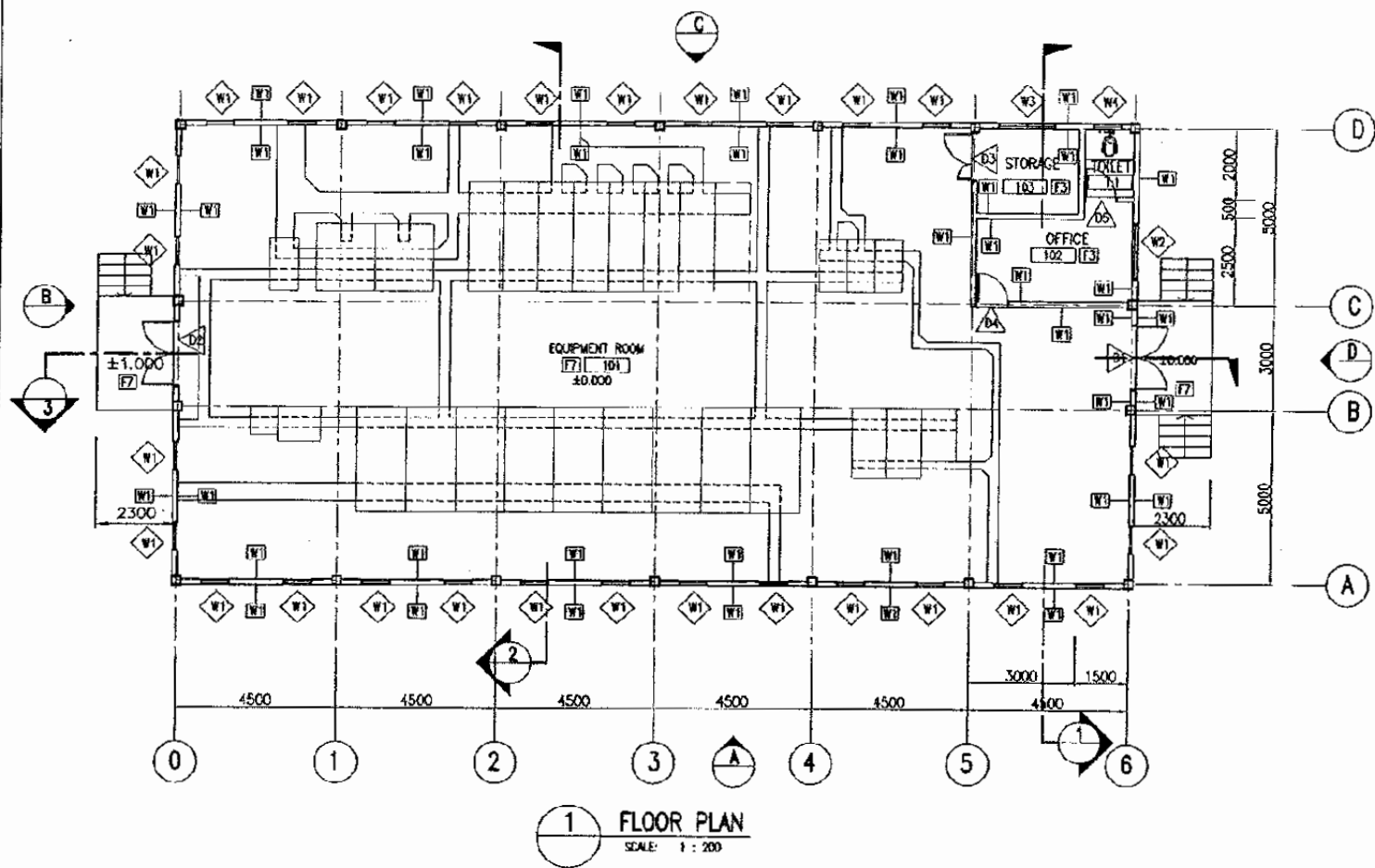
Designed by:
Japan International Cooperation Agency (JICA)
JICA Study Team:
Joint Venture of Pacific Consultants International and Japan Railway Technical Service

ARCHITECTURE
CIKARANG SUBSTATION

DATE 10/MARCH/2003

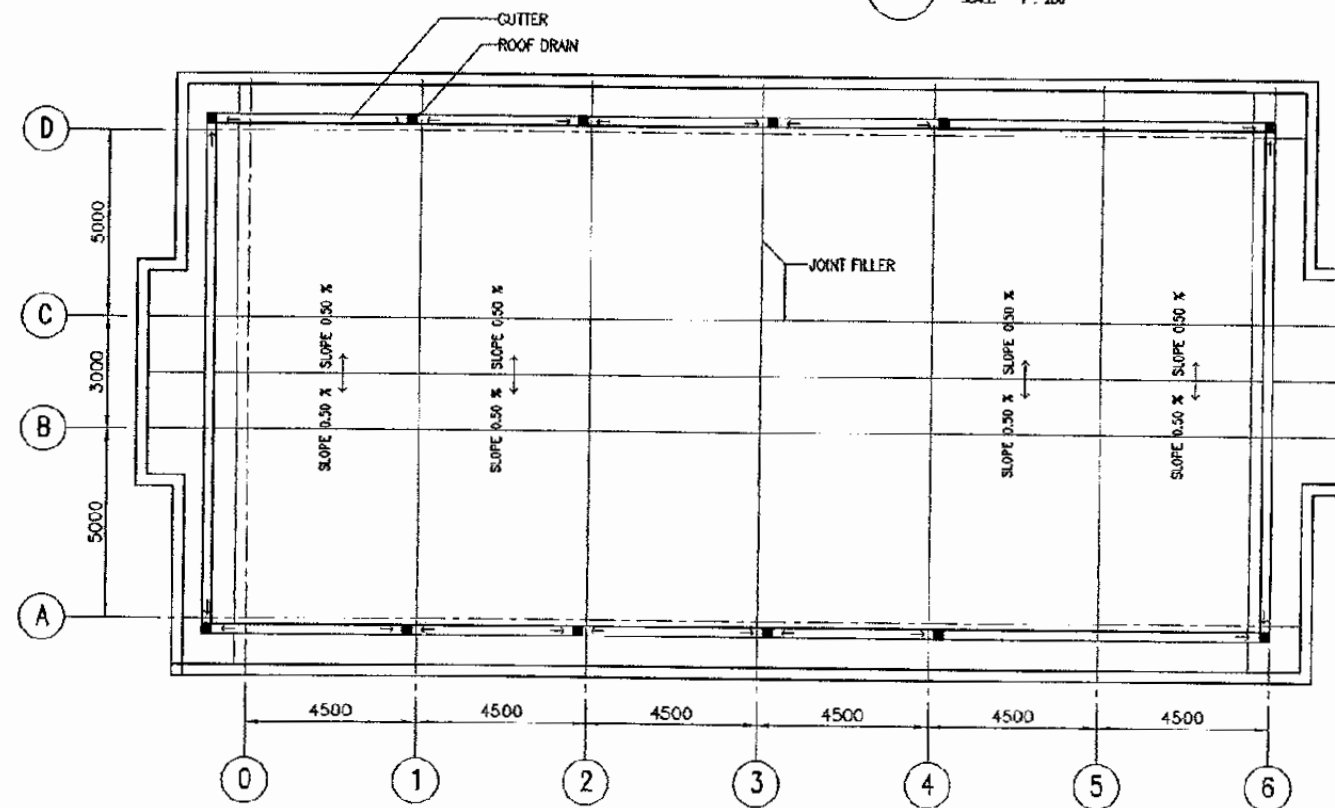
Drawing Title :
LOCATION PLAN & SITE PLAN

Scale: 1:2000 1:500
Drawing No: AA-14-001



NO	CALCULATIONS	SUB TOTAL (SQM)
1	0.5 X 13.1X 27.1	177.5
2	0.5 X 13.1X 27.1	177.5
TOTAL		355

1 AREA TABLE
SCALE: 1 : 200



The Railway Electrification and Double - double Tracking of Java Main Line Project



Note:
This detailed design has been executed by a team of consultants as shown below in accordance with the agreement between Japan International Cooperation Agency (JICA) and JICA Study Team.
The copyright of this drawing rests with JICA.

Designed by:
Japan International Cooperation Agency (JICA)
JICA Study Team:
Joint Venture of Pacific Consultants International and Japan Railway Technical Service

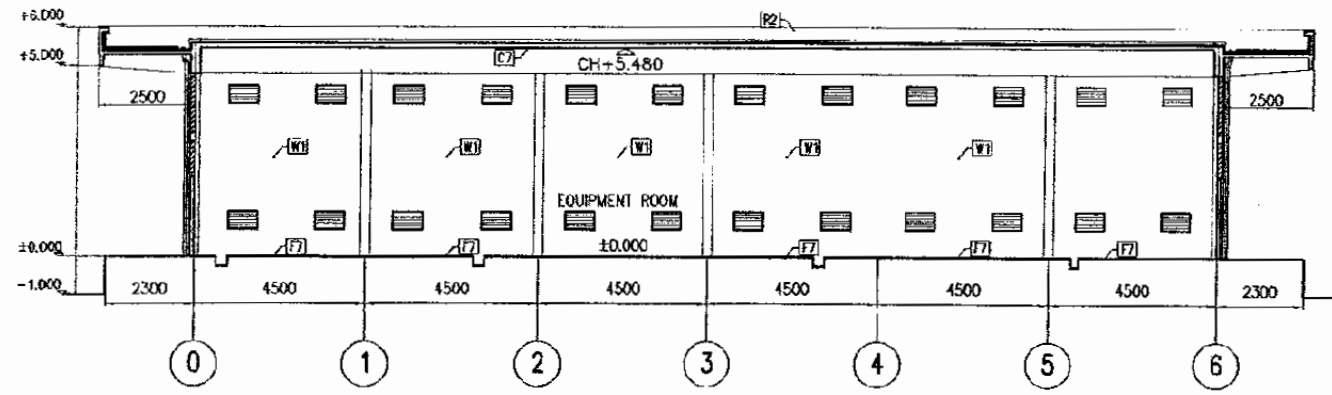
ARCHITECTURE

CIKARANG SUBSTATION

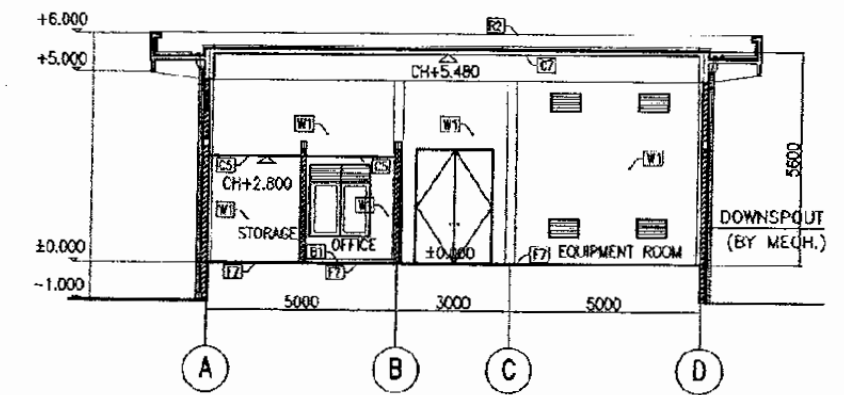
DATE 10/MARCH/2003

Drawing Title :
AREA TABLE, FLOOR PLAN
ROOF PLAN & ELEVATION

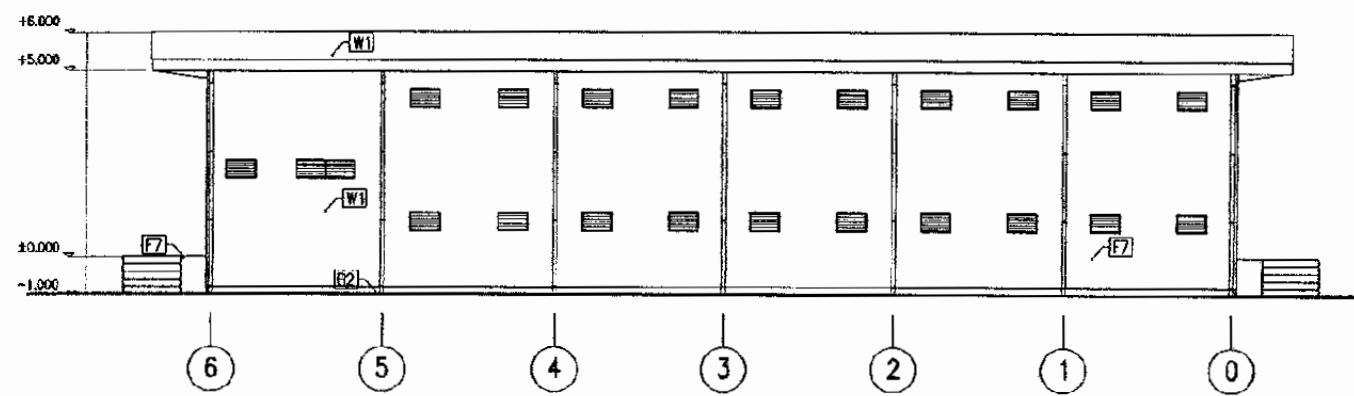
Scale: 1:200 Drawing No.: AA-14-002



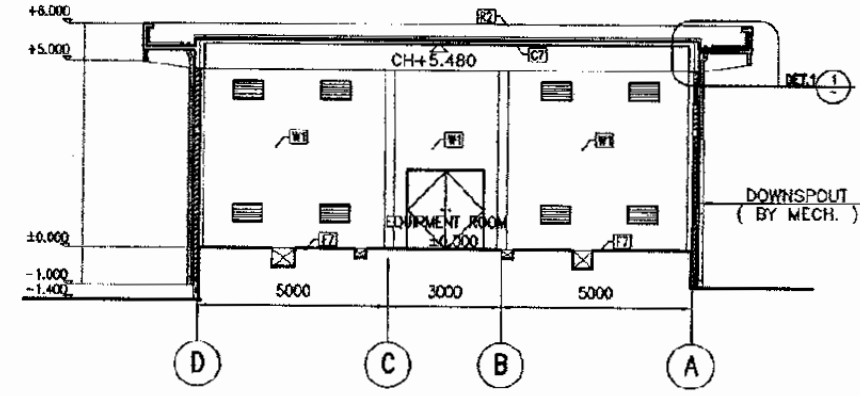
1 SECTION 3
SCALE: 1 : 200



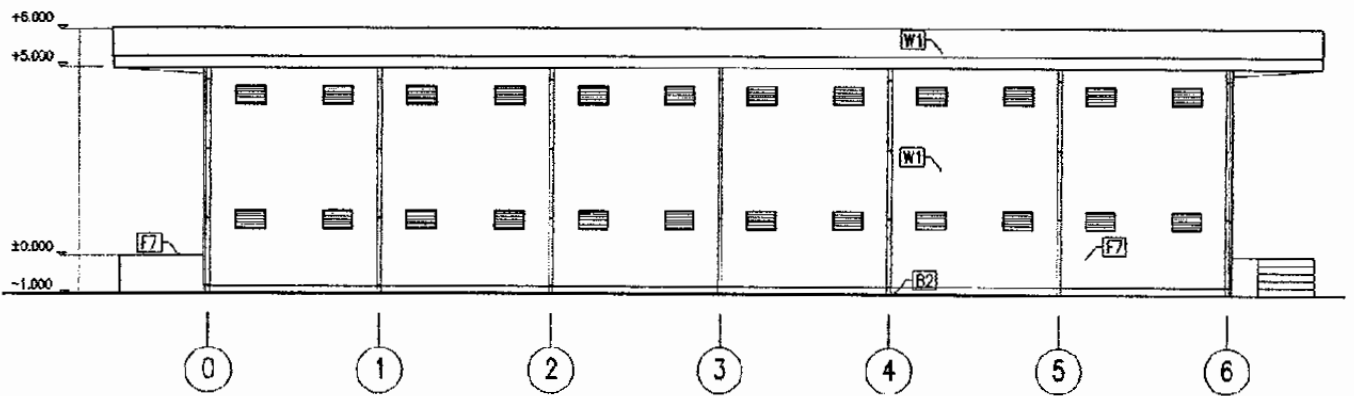
6 SECTION 1
SCALE: 1 : 200



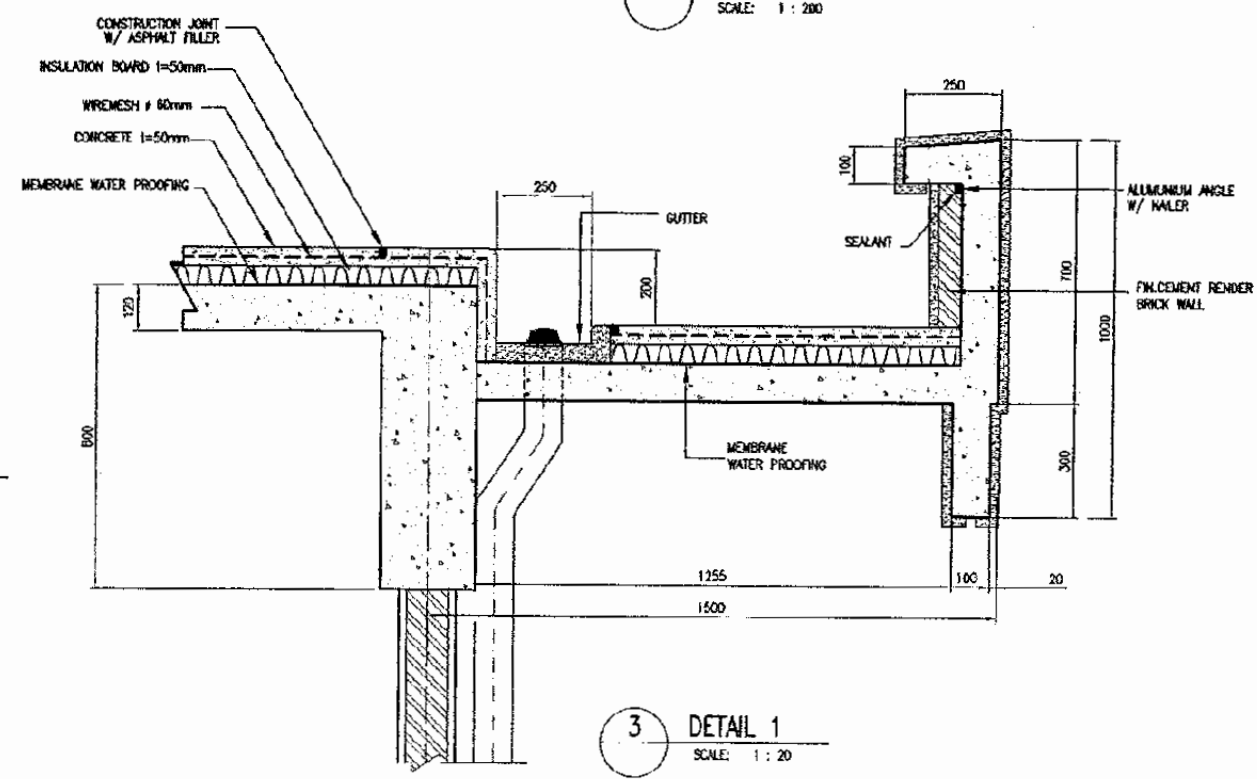
3 ELEVATION C
SCALE: 1 : 200



7 SECTION 2
SCALE: 1 : 200



2 ELEVATION A
SCALE: 1 : 200



3 DETAIL 1
SCALE: 1 : 20

The Railway Electrification and Double - double Tracking of Java Main Line Project



Note:
This detailed design has been executed by a team of consultants as shown below in accordance with the agreement between Japan International Cooperation Agency (JICA) and JICA Study Team.

The copyright of this drawing rests with JICA.

Designed by:
Japan International Cooperation Agency (JICA)
JICA Study Team:
Joint Venture of Pacific Consultants International and Japan Railway Technical Service

ARCHITECTURE

CIKARANG SUBSTATION

DATE 10/MARCH/2003

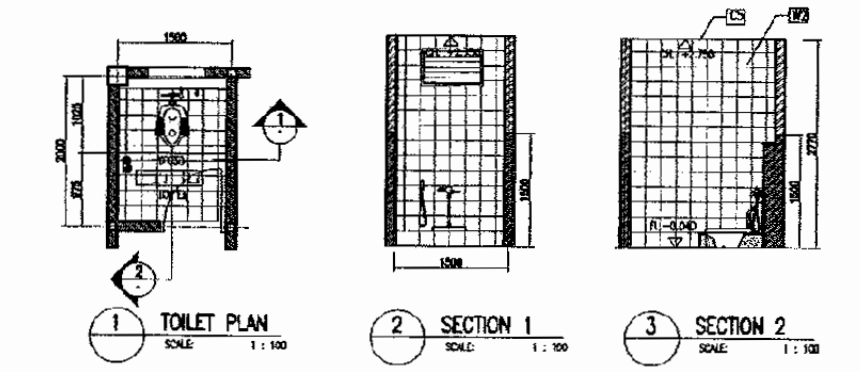
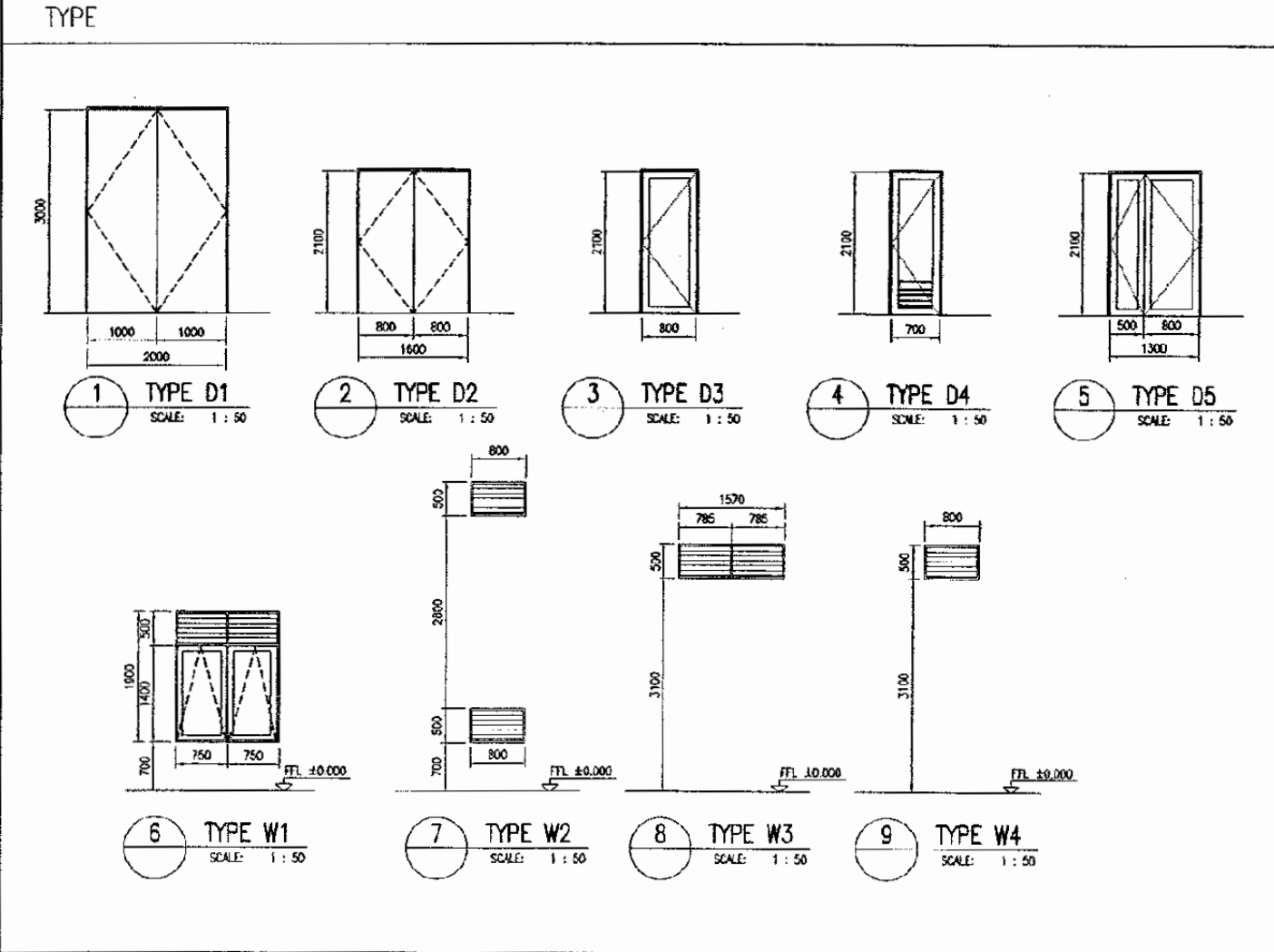
Drawing Title :
ELEVATION, SECTION AND SECTION DETAIL - I

Scale: 1:200 Drawing No: AA-14-003

EXTERIOR FINISH SCHEDULE														
R	ROOF	REMARKS	F	FLOOR	REMARKS	B	BASE	REMARKS	W	WALL/COLUMN	REMARKS	C	CEILING / SOFFIT	REMARKS
R2	MEMBRANE WATER PROOFING W/ INSULATION BOARD		F7	CONCRETE TROWEL W/FLOOR HARDENER		B2	100 mm H CEMENT PLASTER FINISH		W1	CEMENT PLASTER TROWEL W/ PAINT FINISH		C7	CEMENT PLASTER ON CONCRETE W/ PAINTED FINISH	

INTERIOR FINISH SCHEDULE															
NO.	ROOM NAME	FLOOR AREA (m ²)	CEILING HEIGHT (MM)	F	FLOOR	REMARKS	B	BASE	REMARKS	W	WALL/COLUMN	REMARKS	C	CEILING / SOFFIT	REMARKS
101	EQUIPMENT ROOM	27	+5.480	F7	CONCRETE TROWEL W/FLOOR HARDENER					W1	CEMENT PLASTER TROWEL W/ PAINT FINISH		C7	CEMENT PLASTER ON CONCRETE	
102	OFFICE	12	+5.480	F3	200 X 200 X 6 mm THK CERAMIC TILE		B2	100 mm H CEMENT PLASTER FINISH		W1	CEMENT PLASTER TROWEL W/ PAINT FINISH		C5	4.5 mm THK CALCIUM OXIDATE BOARD W/ PAINTED FINISH	
103	STORAGE	7.5	+5.480	F7	CONCRETE TROWEL W/FLOOR HARDENER					W1	CEMENT PLASTER TROWEL W/ PAINT FINISH		C5	4.5 mm THK CALCIUM OXIDATE BOARD W/ PAINTED FINISH	
T.1	TOILET	3	+5.480	F3	200 X 200 X 6 mm THK CERAMIC TILE					W2	200 X 200 X 6 THK CERAMIC TILE		C5	4.5 mm THK CALCIUM OXIDATE BOARD W/ PAINTED FINISH	

DOOR & HARDWARE SCHEDULE																																							
Rm. NUMBER	ROOM NAME	TYPE	DOOR QTY.						WINDOW QTY.				HARDWARE												REMARKS	NOTES													
			D1	D2	D3	D4	D5	W1	W2	W3	W4	DOOR						WINDOW																					
			A	B	C	D	E	F	G	H	I	J	K	L	M	N	O	P																					
101	EQUIPMENT ROOM		1	1					24																														
102	OFFICE				1					1																													
103	STORAGE			1							1																												
T.1	TOILET					1					1																												
	DOOR FRAME MATERIAL		ST	ST	AL	AL	AL																																
	DOOR FRAME FIN. MATERIAL		AP	AP	PC	PC	PC																																
	DOOR LEAF MATERIAL		ST	ST	DTW	DTW	DTW																																
	DOOR LEAF FIN. MATERIAL		AP	AP	AP	AP	AP																																
	WINDOW FRAME MATERIAL				AL	AL	AL	AL																															
	WINDOW FRAME FIN. MATERIAL				PC	PC	PC	PC																															
	WINDOW LEAF MATERIAL				ALL	ALG	ALL	ALL																															
	WINDOW LEAF FIN. MATERIAL				PC	PC	PC	PC																															
	TOTAL		1	1	1	1	1		24	1	1	1																											



The Railway Electrification and Double - double Tracking of Java Main Line Project

DEPARTEMEN PERUMAHAN, KEMENTERIAN PERUMAHAN, KEMENTERIAN PERENCANAAN DAN KEMENTERIAN SUMBER DAYA LAHAR, KEMENTERIAN NEGARA REPUBLIK INDONESIA
Jalan Setiabudi Barat No.8 Gedung Raya 8.11 Rp.021-200000-200000
JAKARTA

Note:
The detailed design has been executed by a team of consultants as shown below in accordance with the agreement between Japan International Cooperation Agency (JICA) and JICA Study Team.
The copyright of this drawing rests with JICA.

Designed by:
Japan International Cooperation Agency (JICA)
JICA Study Team:
Joint Venture of Pacific Consultants International and Japan Railway Technical Service

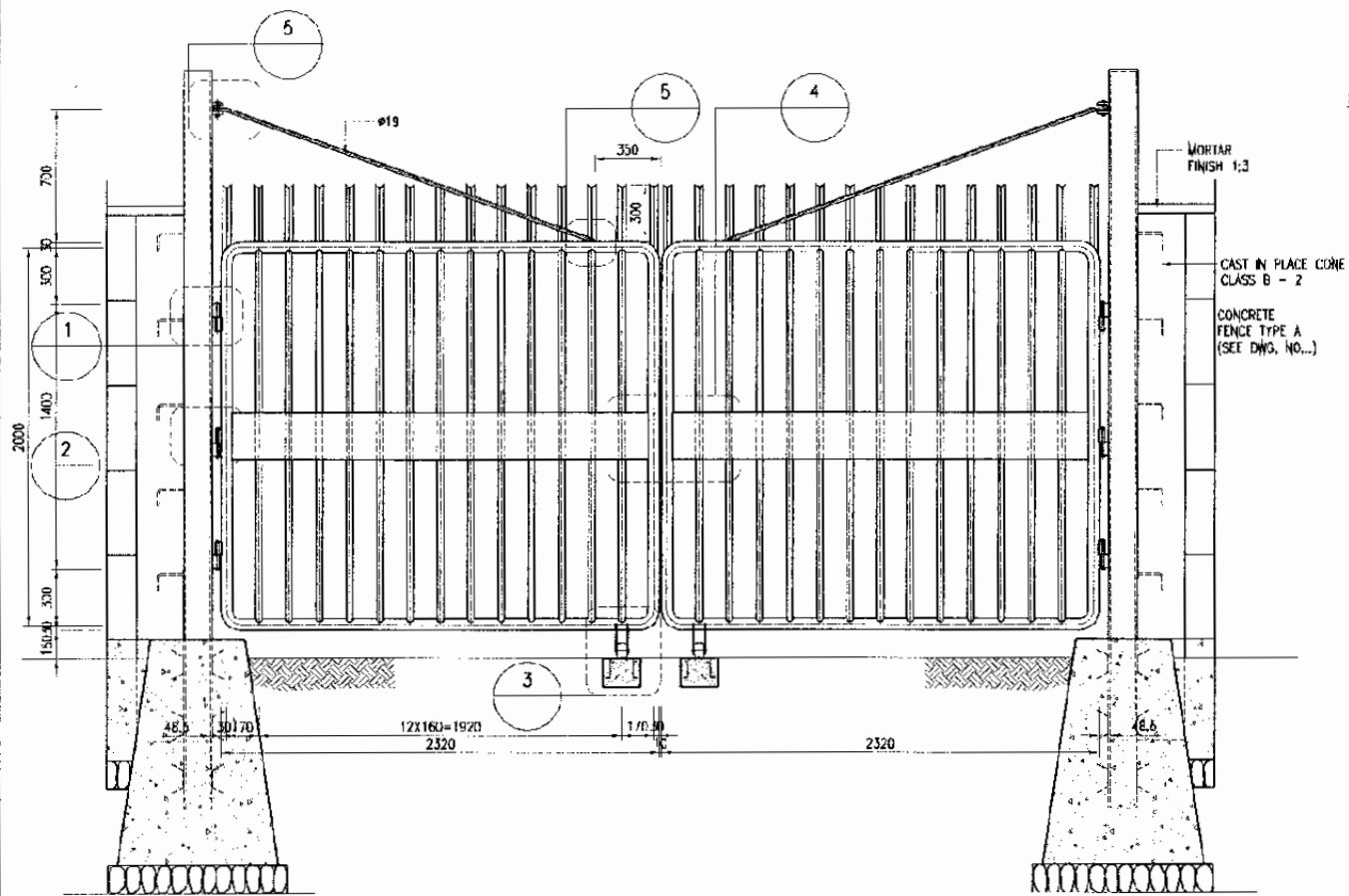
ARCHITECTURE

CIKARANG SUBSTATION

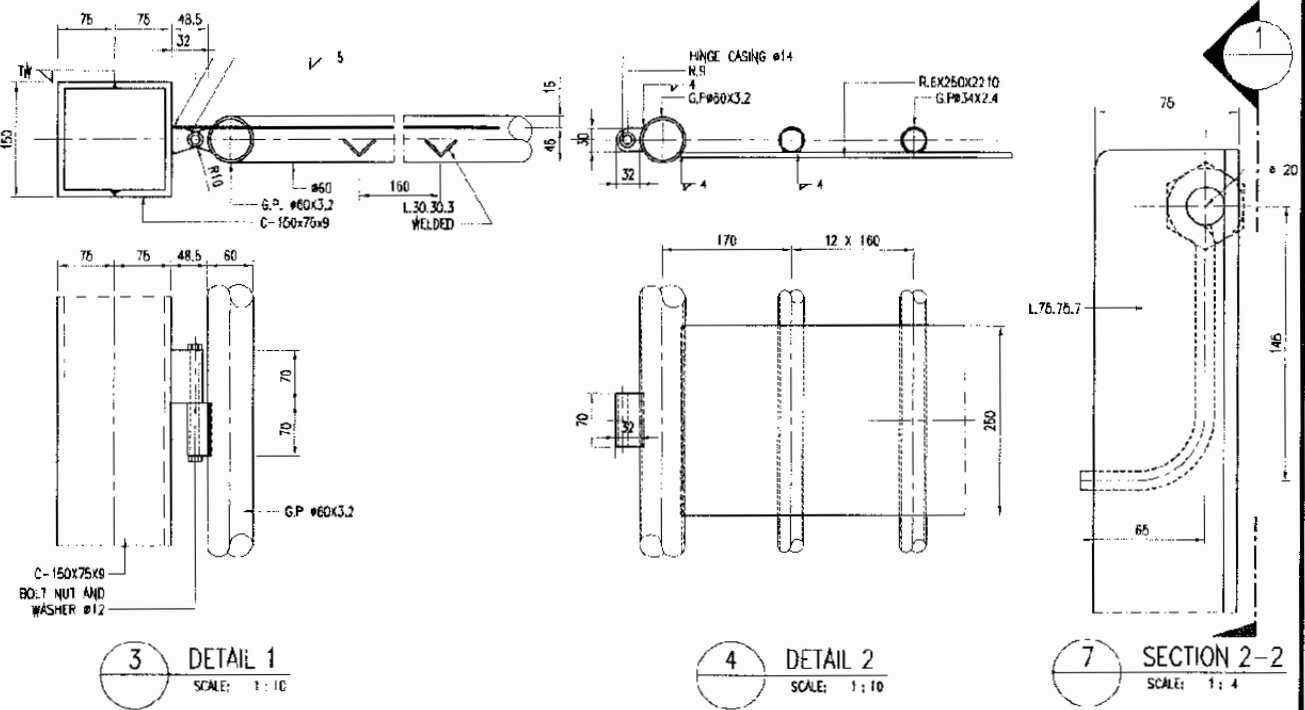
DATE 10/MARCH/2003

Drawing Title :
FINISH, DOOR & WINDOW SCHEDULE & TOILET DETAIL

Scale: NTS 1:100
Drawing No.: AA-14-004



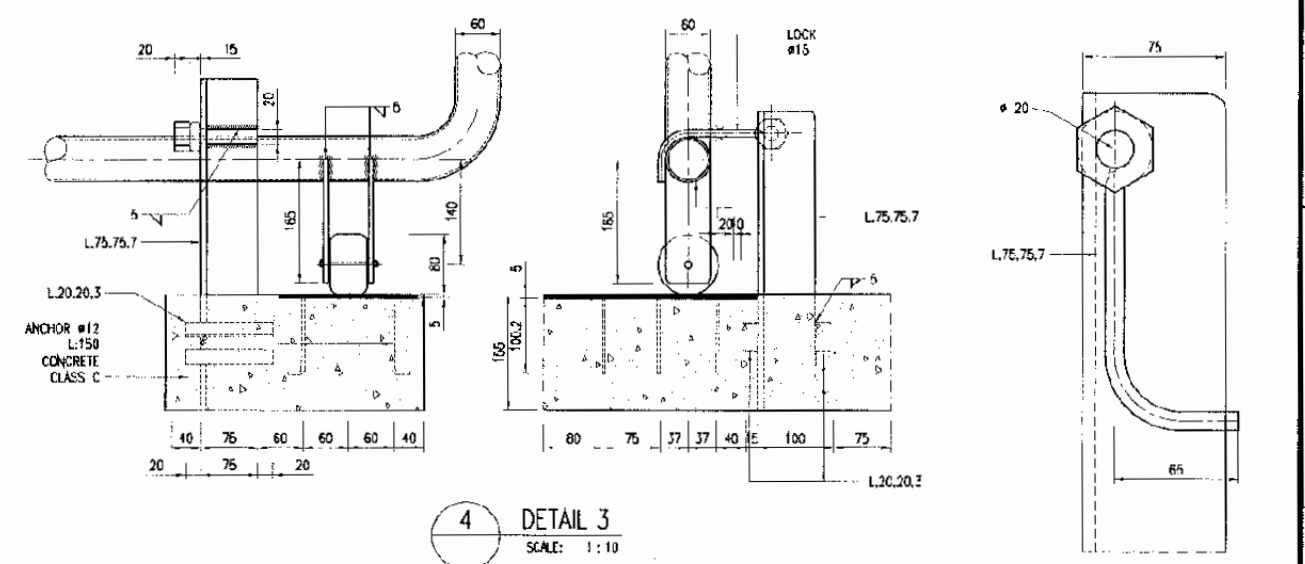
1 ENTRANCE GATE ELEVATION
SCALE: 1:40



3 DETAIL 1
SCALE: 1:10

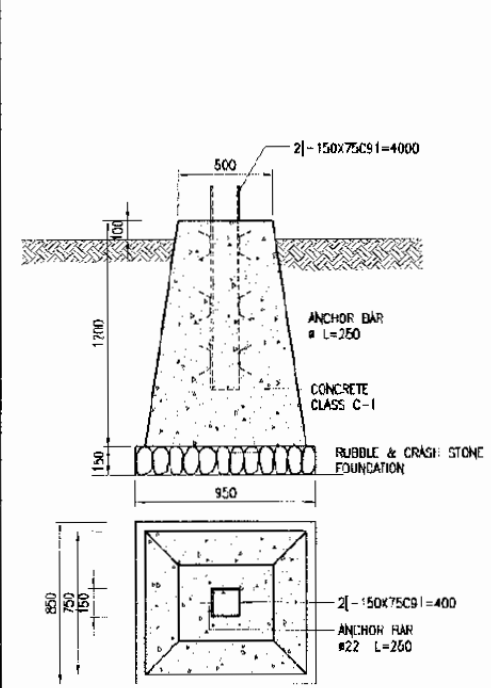
4 DETAIL 2
SCALE: 1:10

7 SECTION 2-2
SCALE: 1:4

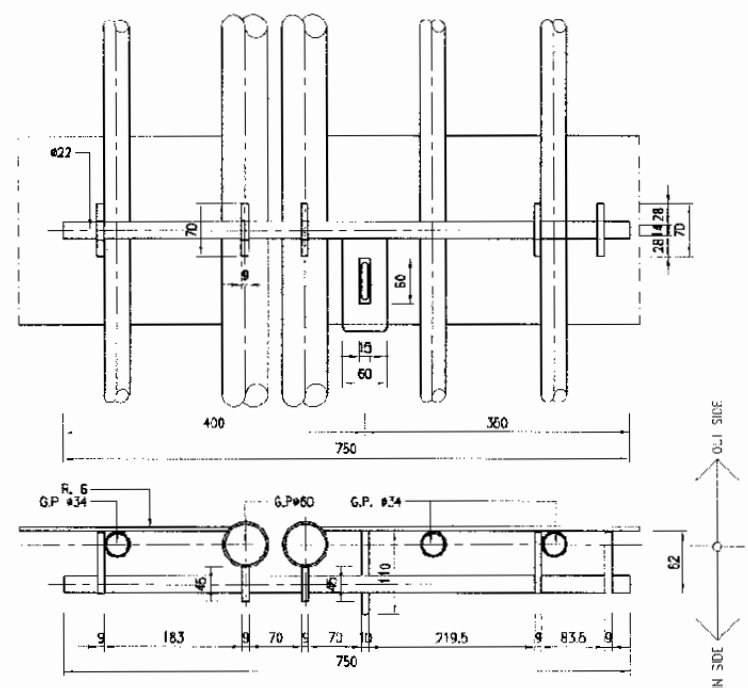


4 DETAIL 3
SCALE: 1:10

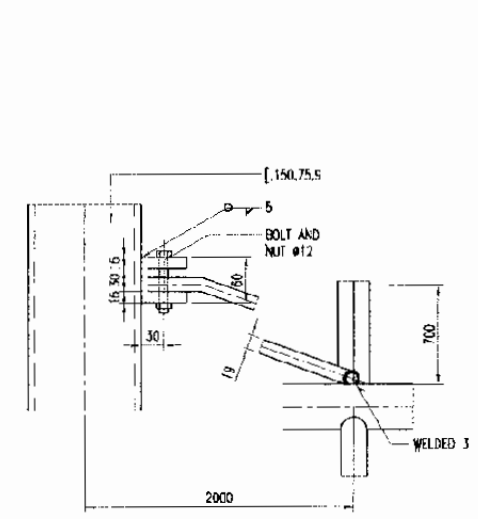
8 LOCK
SCALE: 1:4



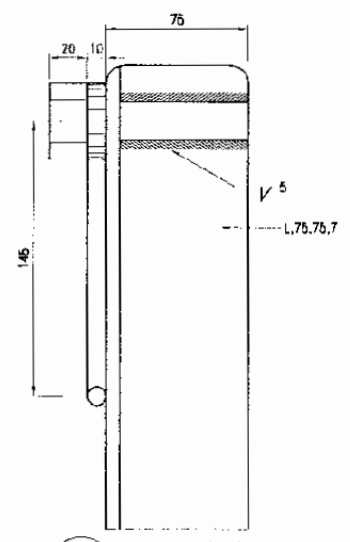
2 FOUNDATION
SCALE: 1:40



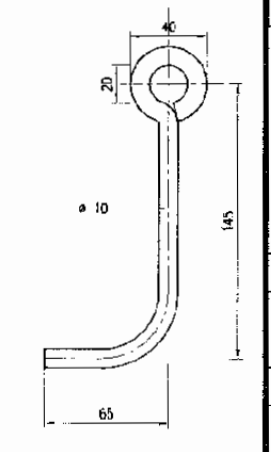
5 DETAIL 4
SCALE: 1:10



6 DETAIL 5
SCALE: 1:10



10 SECTION 1
SCALE: 1:4



9 DETAIL LOCK
SCALE: 1:4

The Railway Electrification and Double - double Tracking of Java Main Line Project



DEPARTEMEN PERHUBUNGAN
MINISTRY OF COMMUNICATION
DIREKTORAT JENDERAL PERHUBUNGAN DARAT
DIRECTORATE GENERAL OF LAND COMMUNICATION
Jalan Medan Merdeka Barat no.5 Gedung Karya II Lt II 10171-300520-300520
JAKARTA

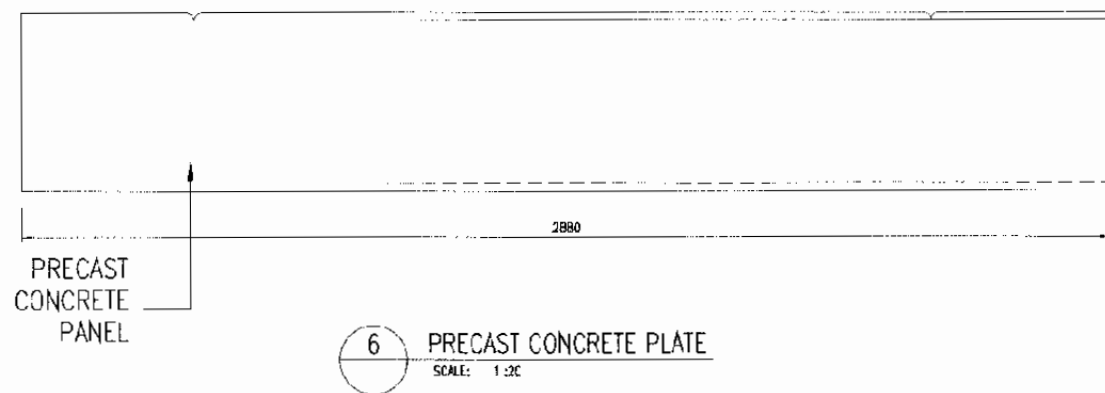
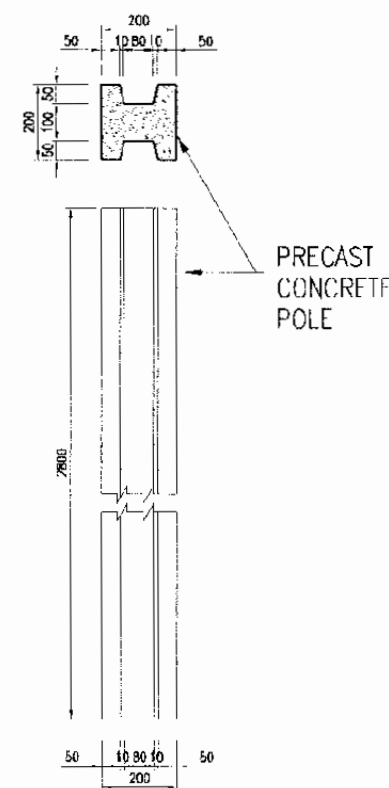
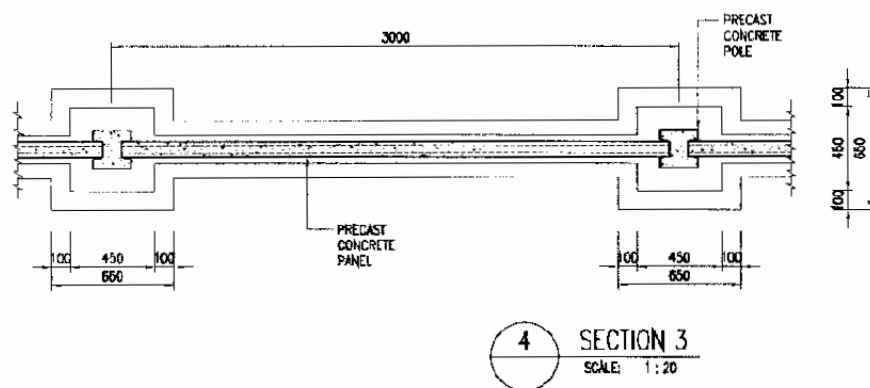
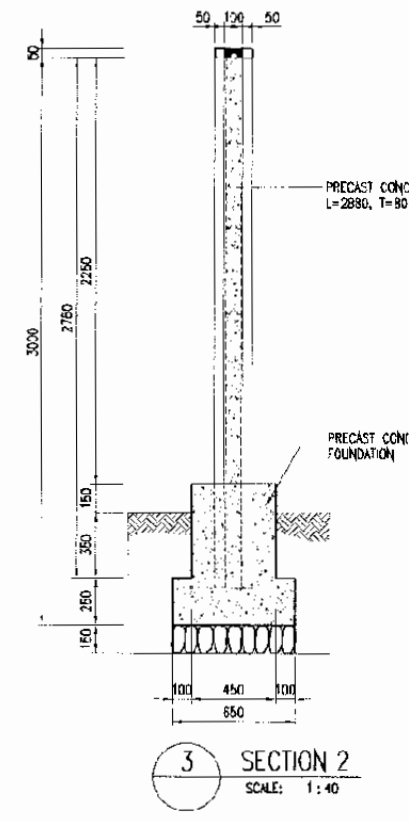
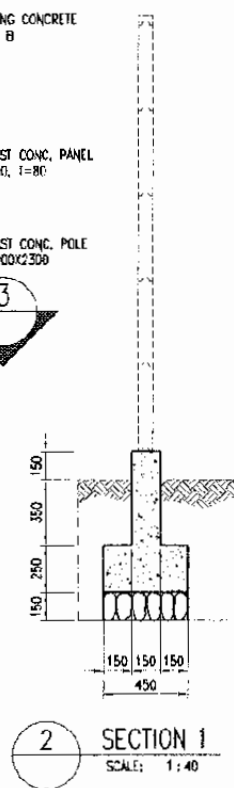
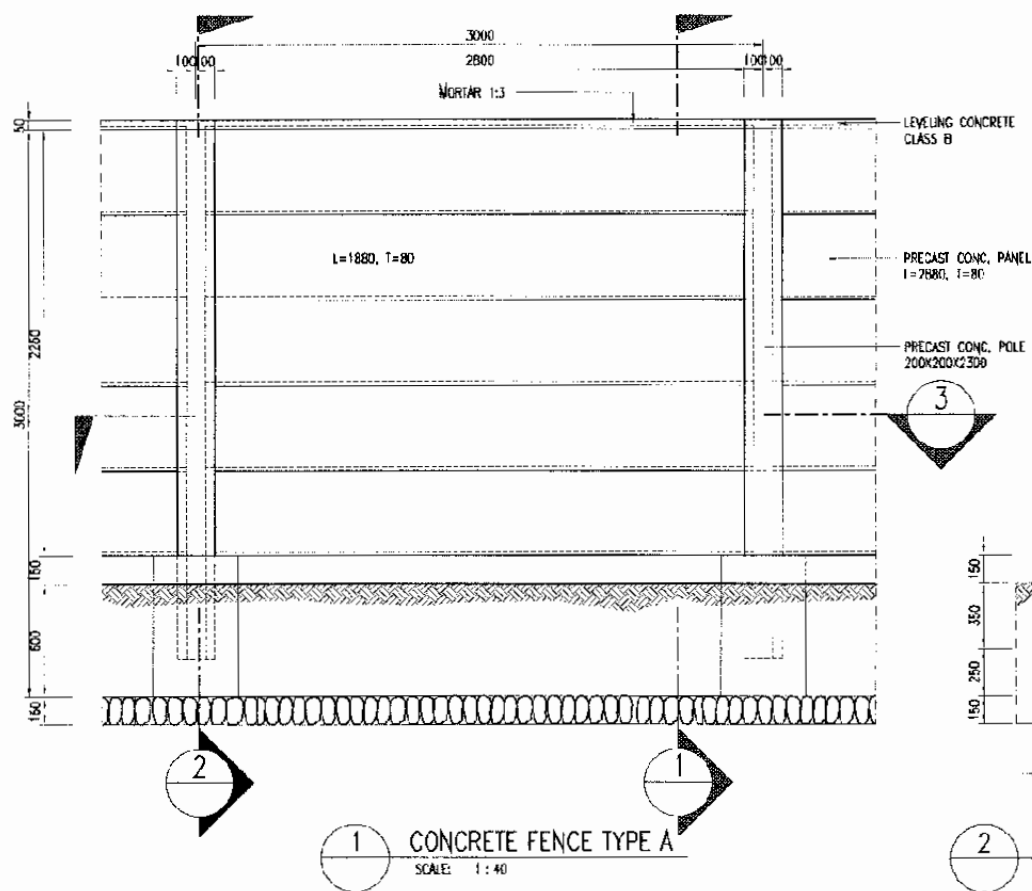
Designed by:
Japan International Cooperation Agency (JICA)
JICA Study Team:
Joint Venture of Pacific Consultants International and Japan Railway Technical Service

ARCHITECTURE
CIKARANG SUBSTATION

DATE 10/MARCH/2003

Drawing title :
ENTRANCE GATE
DETAILS

Scale:
1:40
1:10
Drawing No:
AA-14-C05



The Railway Electrification and Double - double Tracking of Java Main Line Project



Note:
This detailed design has been executed by a team of consultants as shown below in accordance with the agreement between Japan International Cooperation Agency (JICA) and JICA Study Team.
The copyright of this drawing rests with JICA.

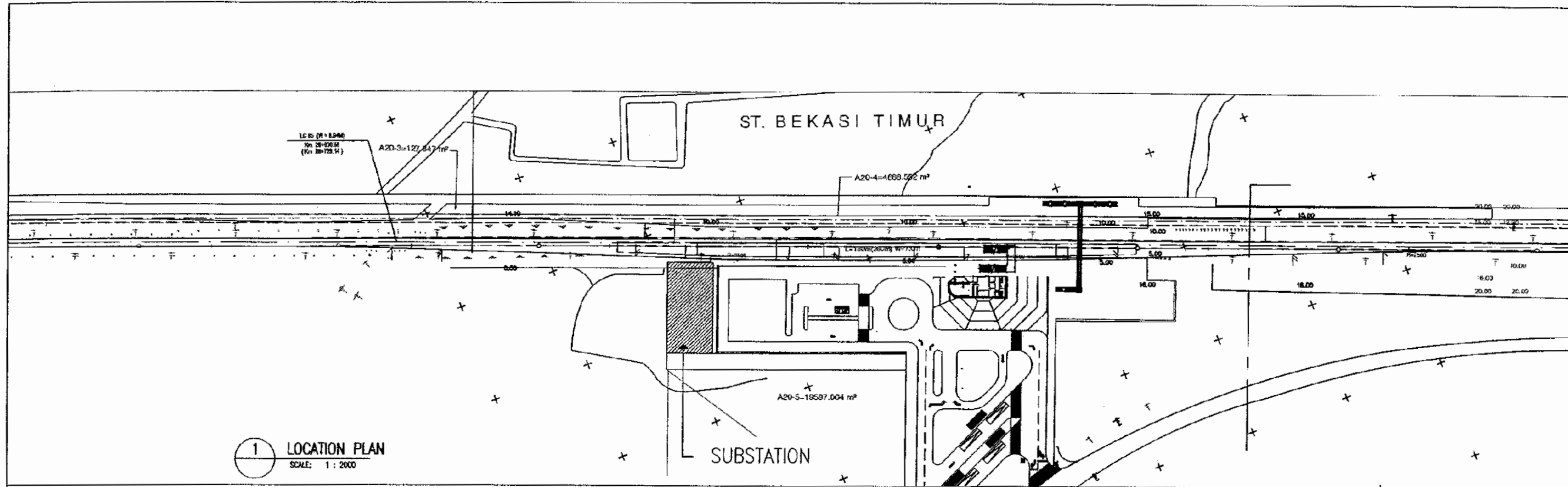
Designed by:
Japan International Cooperation Agency (JICA)
JICA Study Team:
Joint Venture of Pacific Consultants International and Japan Railway Technical Service

ARCHITECTURE
CIKARANG SUBSTATION

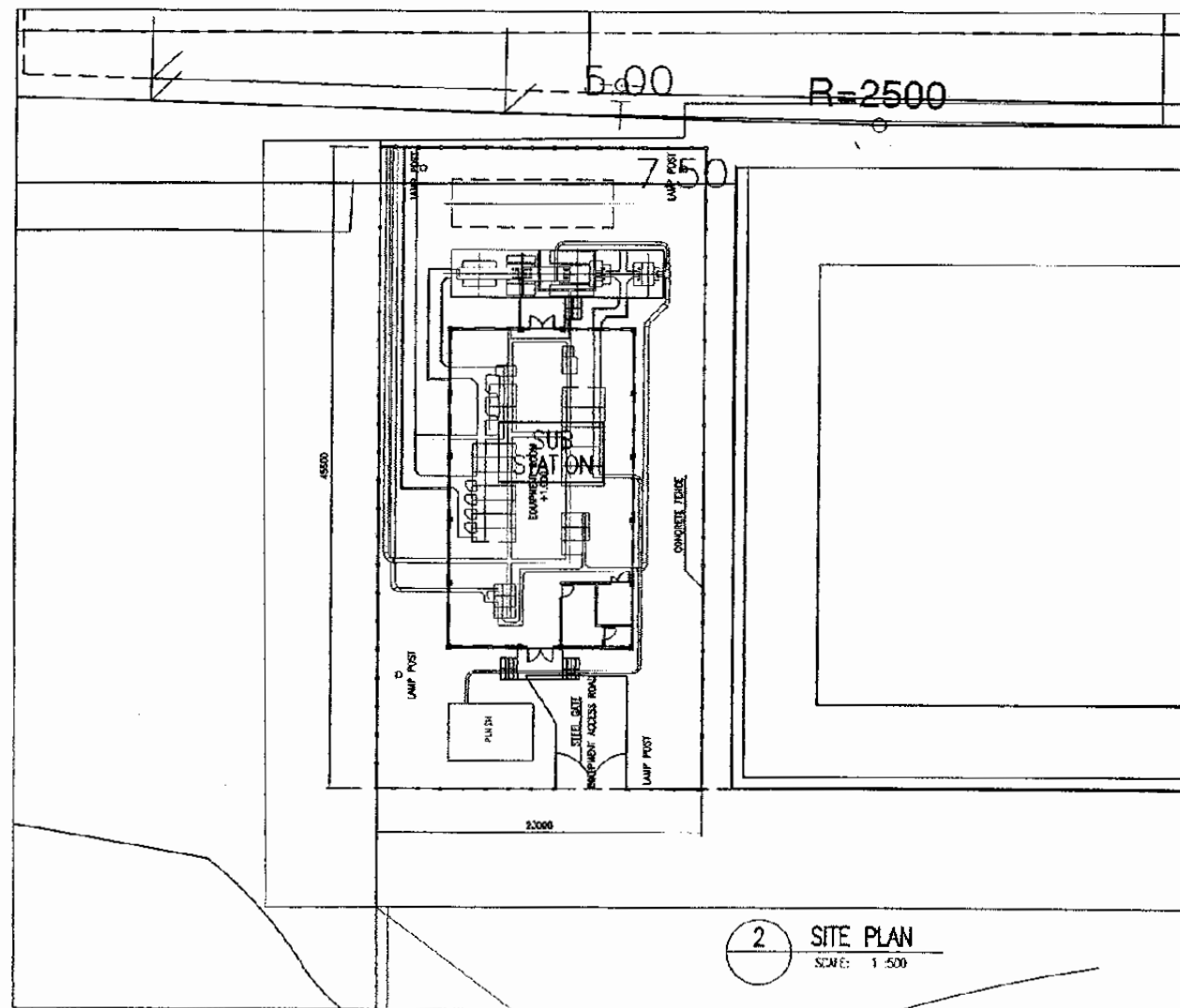
DATE 10/MARCH/2003

Drawing Title:
CONCRETE FENCE DETAILS

Scale: 1:40
1:20
Drawing No.: AA-4-006



1 LOCATION PLAN
SCALE: 1 : 2000



2 SITE PLAN
SCALE: 1 : 500

The Railway Electrification and
Double - double Tracking of
Java Main Line Project



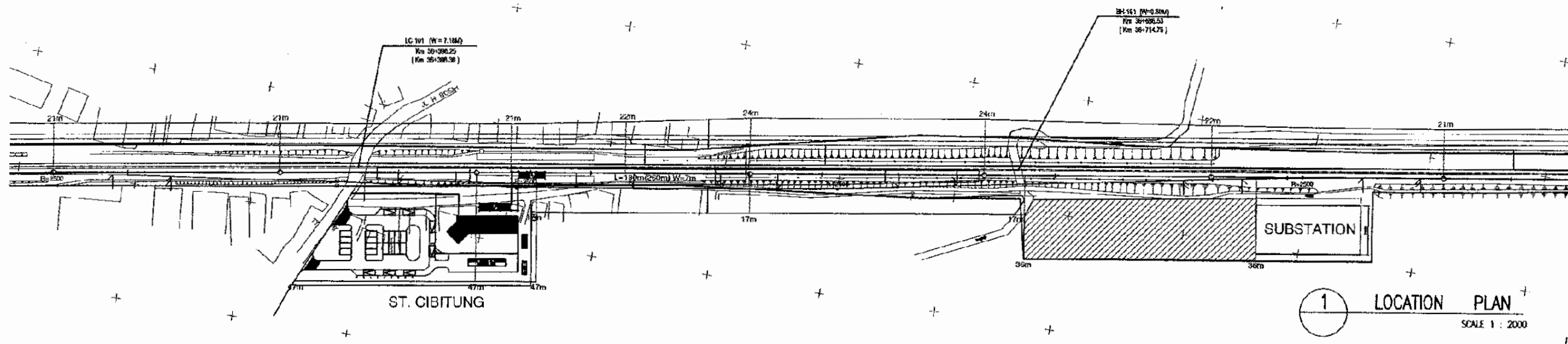
Note:
This detailed design has been executed by a team
of consultants as shown below in accordance with
the agreement between Japan International
Cooperation Agency (JICA) and JICA Study Team.
The copyright of this drawing rests with JICA.

Designed by:
Japan International Cooperation
Agency (JICA)
JICA Study Team:
Joint Venture of
Pacific Consultants International and
Japan Railway Technical Service

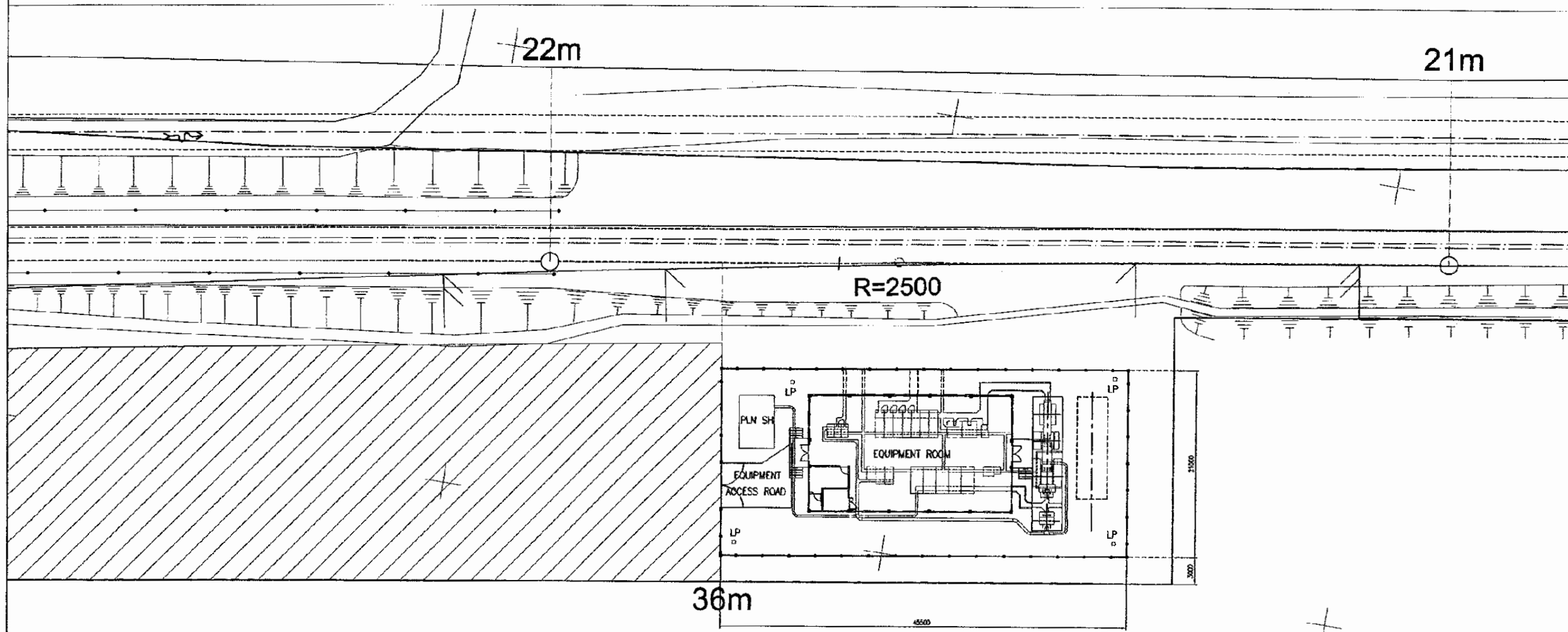
ARCHITECTURE
BEKASI TIMUR
& CIBITUNG SUBSTATION
DATE 10/MARCH/2003

Drawing Title :
LOCATION PLAN
AND SITE PLAN-1

Scale: 1 : 2000 1 : 500
Drawing No: AA-15-001



1 LOCATION PLAN
SCALE 1 : 2000



1 SITE PLAN
SCALE 1 : 500

The Railway Electrification and
Double - double Tracking of
Java Main Line Project



Note:
This detailed design has been executed by a team
of consultants as shown below in accordance with
the agreement between Japan International
Cooperation Agency (JICA) and JICA Study Team.

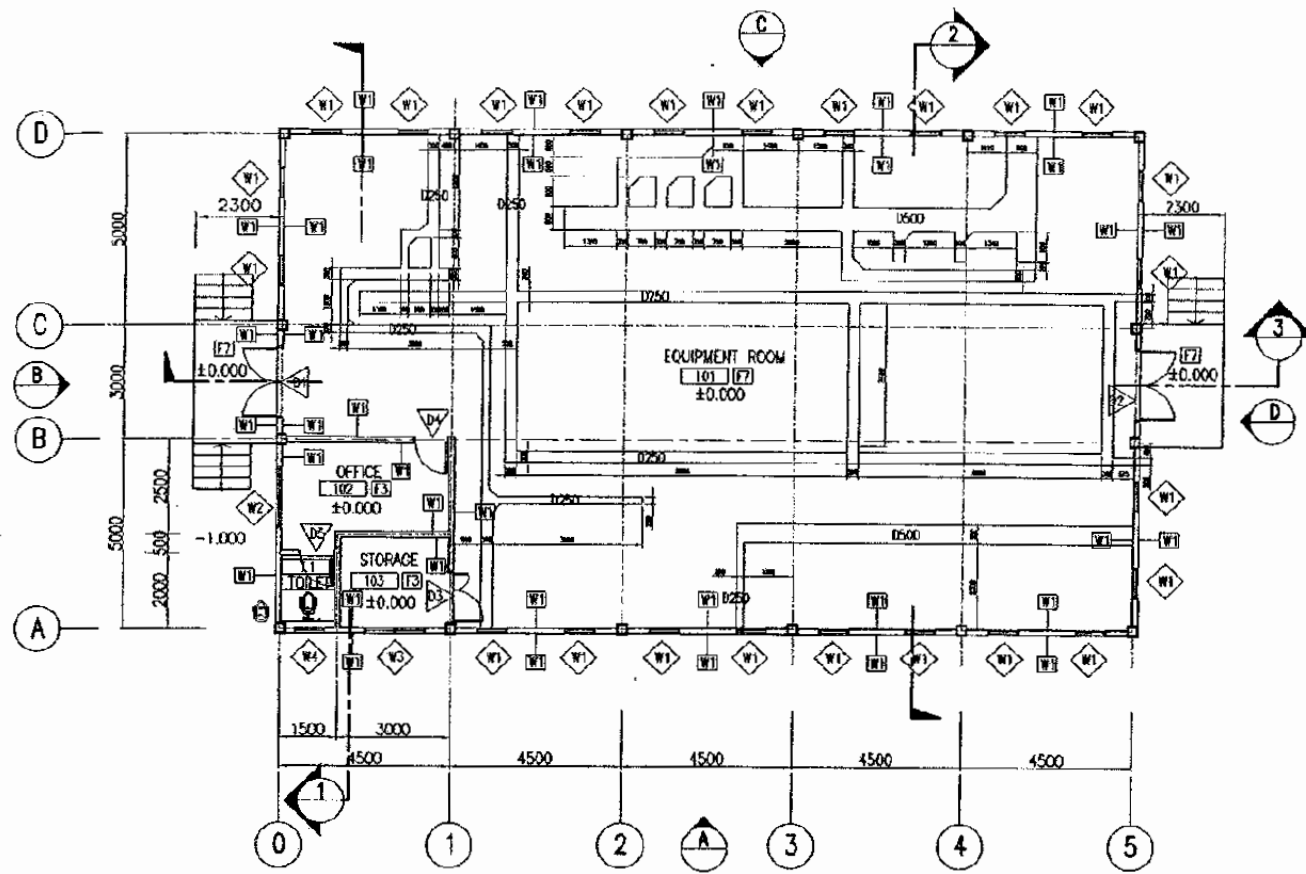
The copyright of this drawing rests with JICA.

Designed by:
Japan International Cooperation
Agency (JICA)
JICA Study Team:
Joint Venture of
Pacific Consultants International and
Japan Railway Technical Service

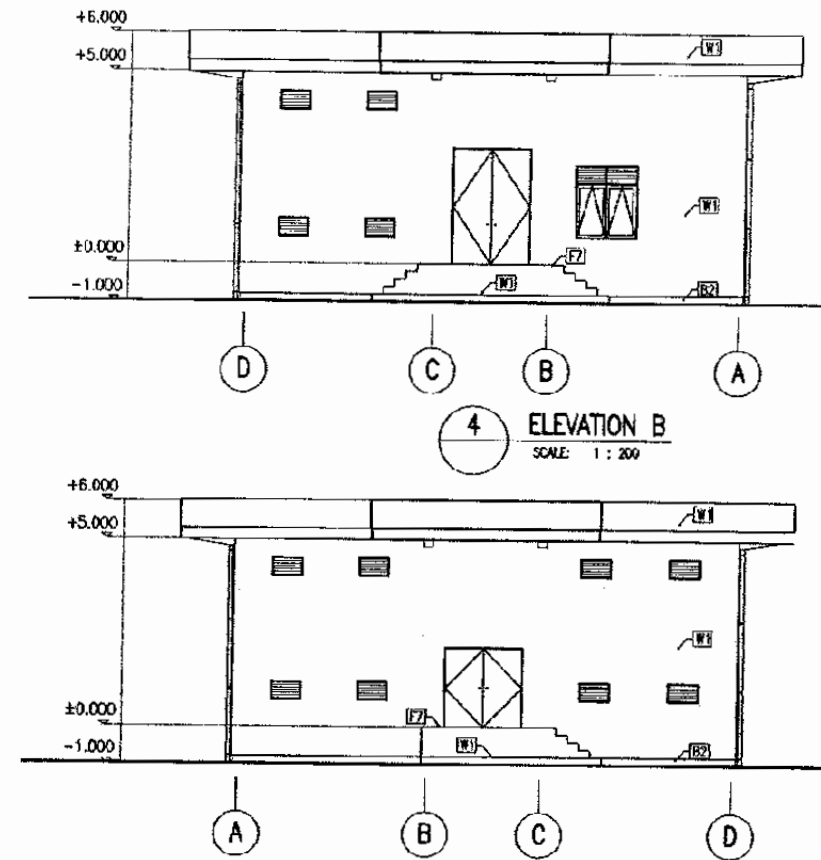
ARCHITECTURE
BEKASI TIMUR
& CIBITUNG SUBSTATION
DATE 10/MARCH/2003

Drawing Title :
LOCATION PLAN
AND SITE PLAN -2

Scale:
1 : 2000
1 : 500
Drawing No.:
AA-15-002

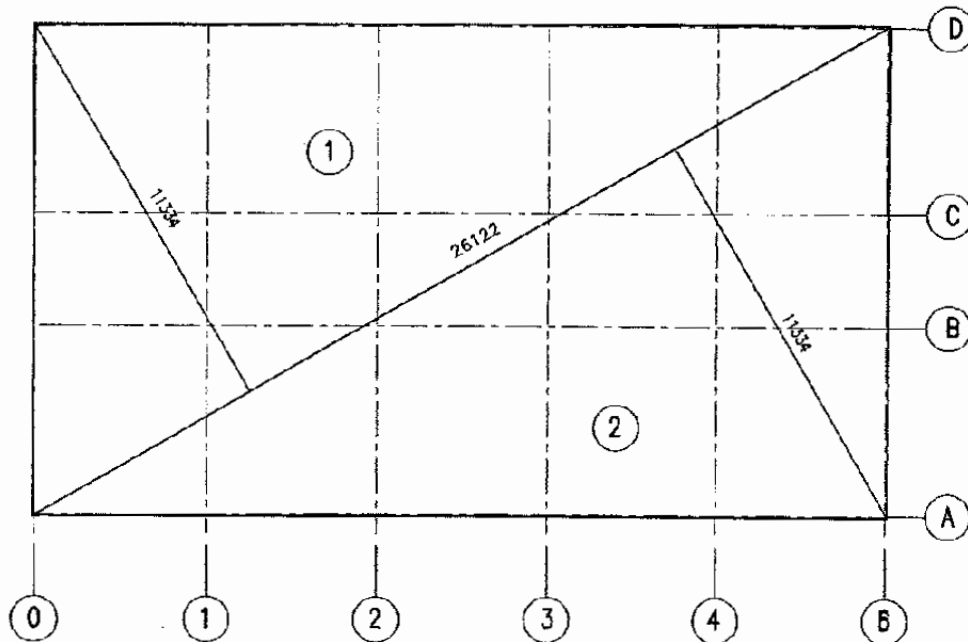


1 FLOOR PLAN
SCALE: 1 : 200



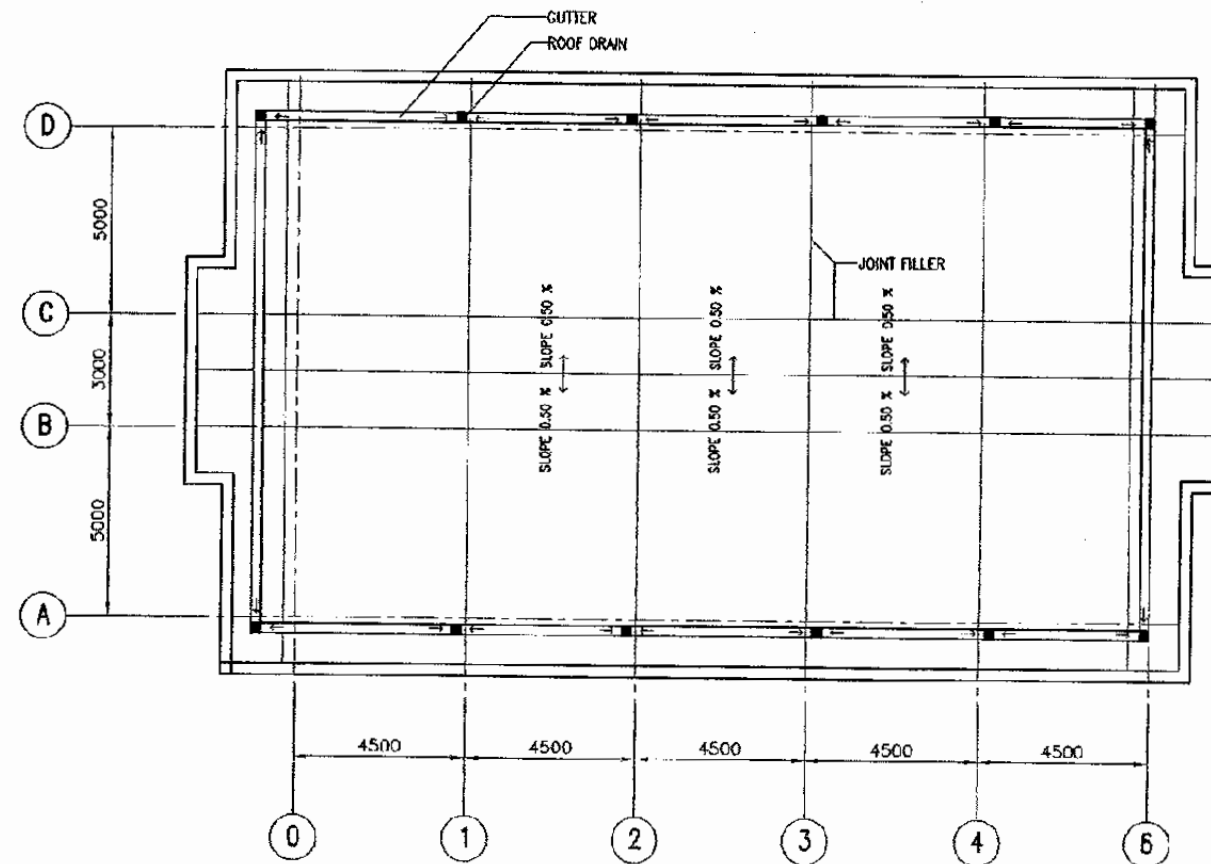
4 ELEVATION B
SCALE: 1 : 200

5 ELEVATION D
SCALE: 1 : 200



NO	CALCULATIONS	SUB TOTAL (SQM)
1	0.5 X 13.1X 22.6	148.03
2	0.5 X 13.1X 22.6	148.03
TOTAL		296.06

1 AREA TABLE
SCALE: 1 : 200



2 ROOF PLAN
SCALE: 1 : 200

The Railway Electrification and Double - double Tracking of Java Main Line Project



Note:
This detailed design has been executed by a team of consultants as shown below in accordance with the agreement between Japan International Cooperation Agency (JICA) and JICA Study Team.
The copyright of this drawing rests with JICA.

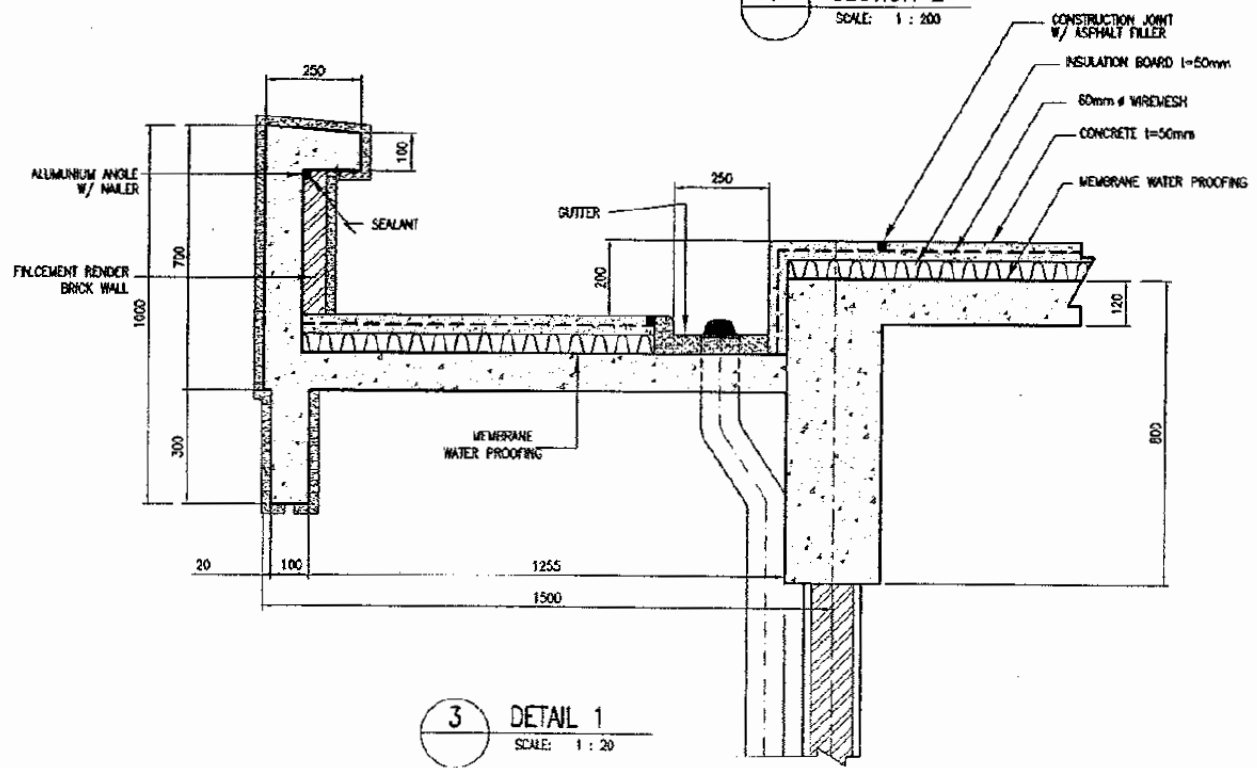
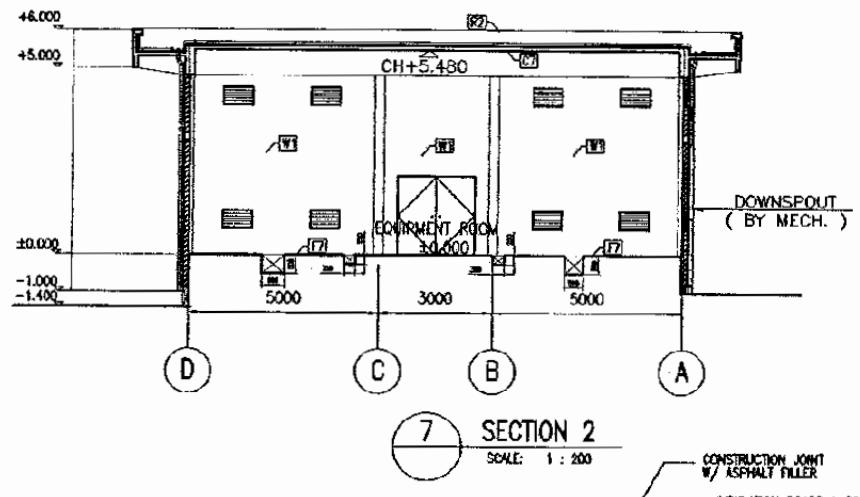
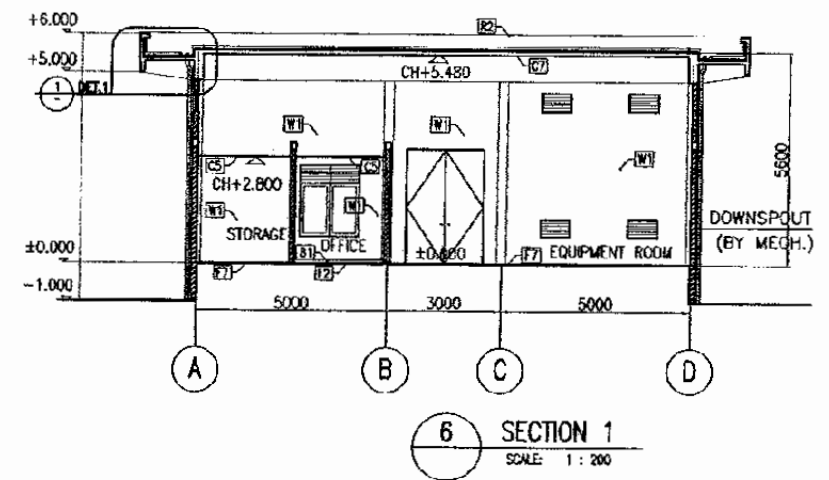
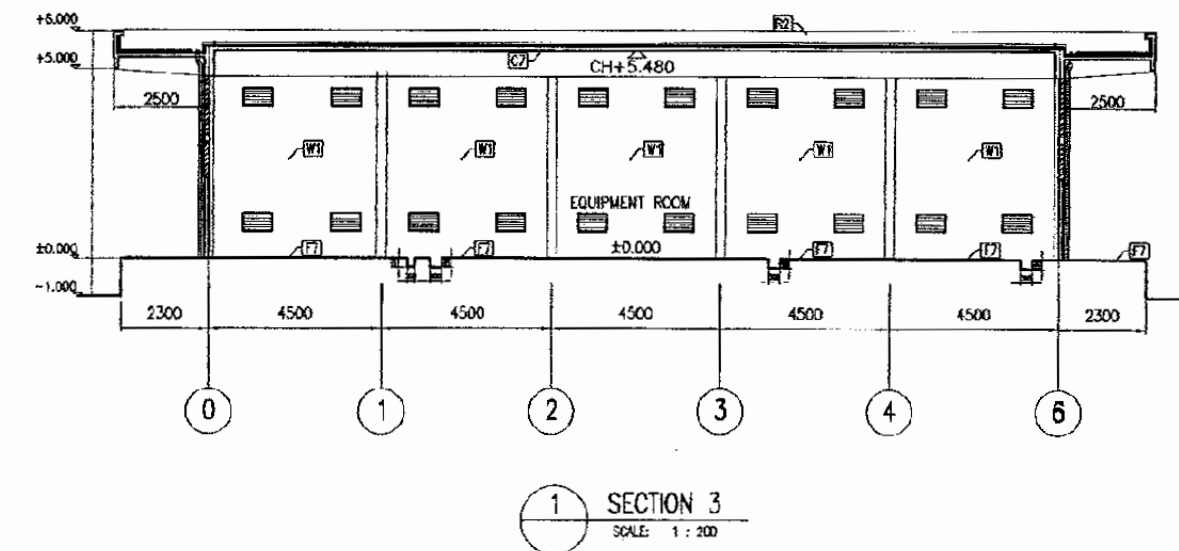
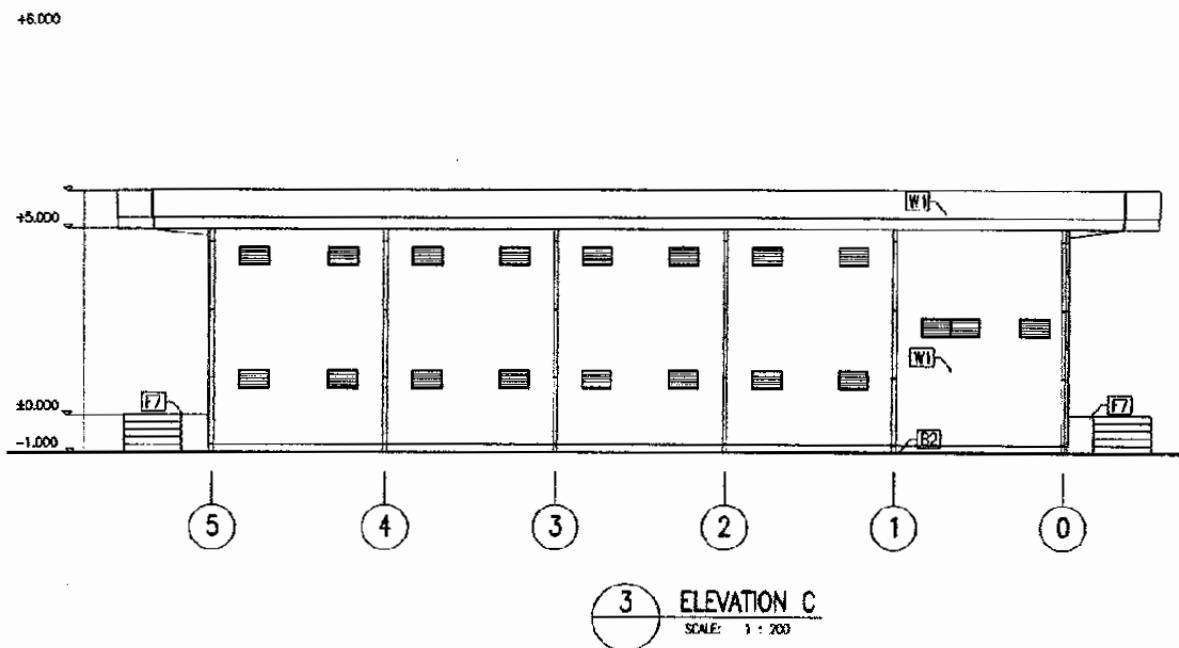
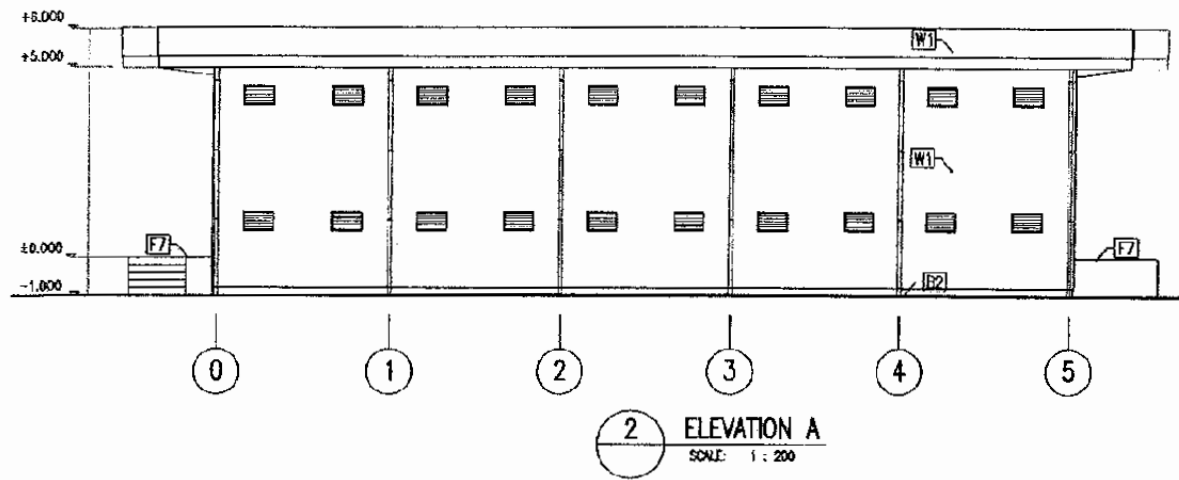
Designed by:
Japan International Cooperation Agency (JICA)
JICA Study Team:
Joint Venture of Pacific Consultants International and Japan Railway Technical Service

ARCHITECTURE
BEKASI TIMUR & CIBITUNG SUBSTATION

DATE 10/MARCH/2003

Drawing Title :
AREA TABLE, FLOOR PLAN, ROOF PLAN & ELEVATION B, D

Scale: 1:200 Drawing No: AA-15-003



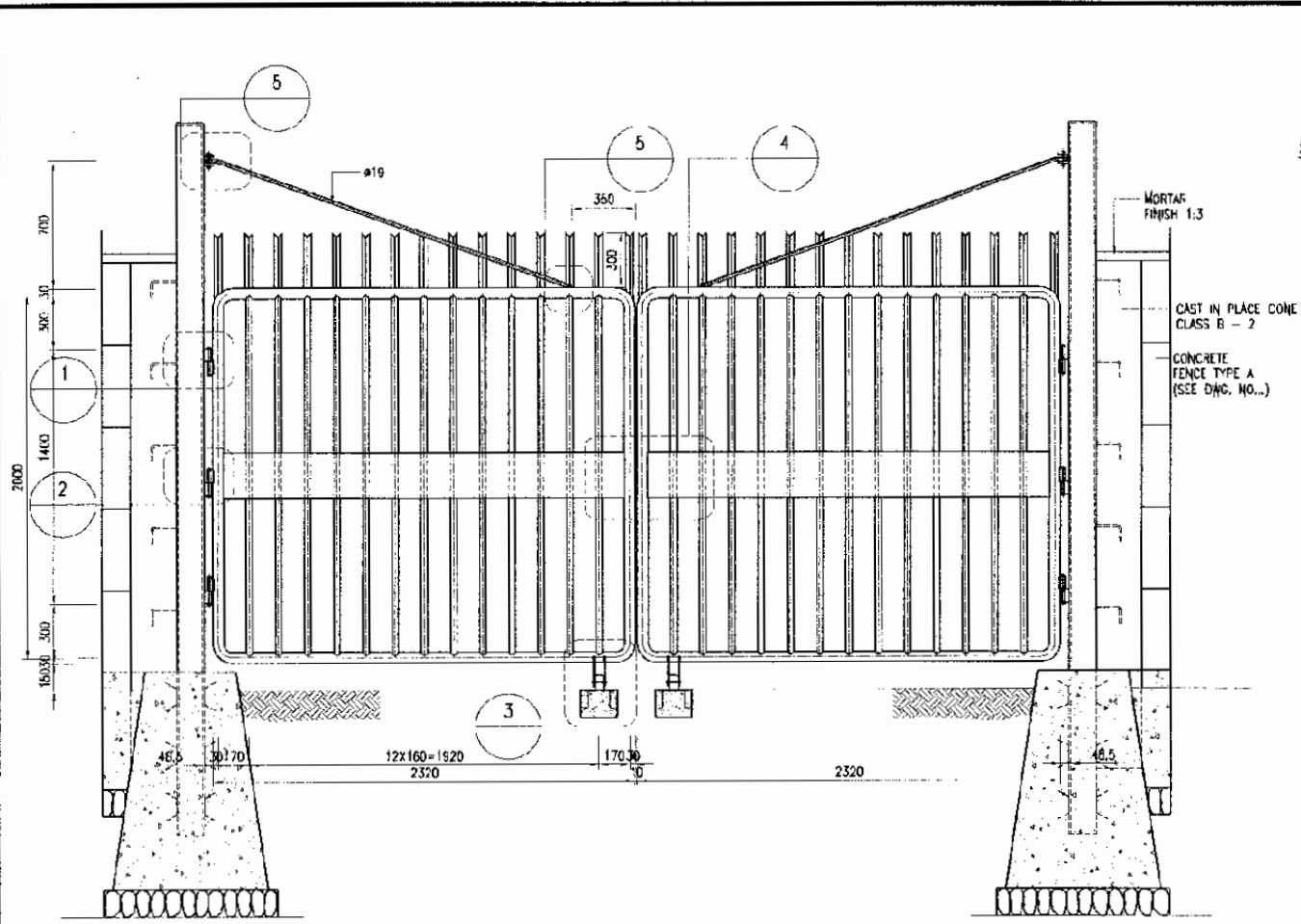
The Railway Electrification and Double - double Tracking of Java Main Line Project



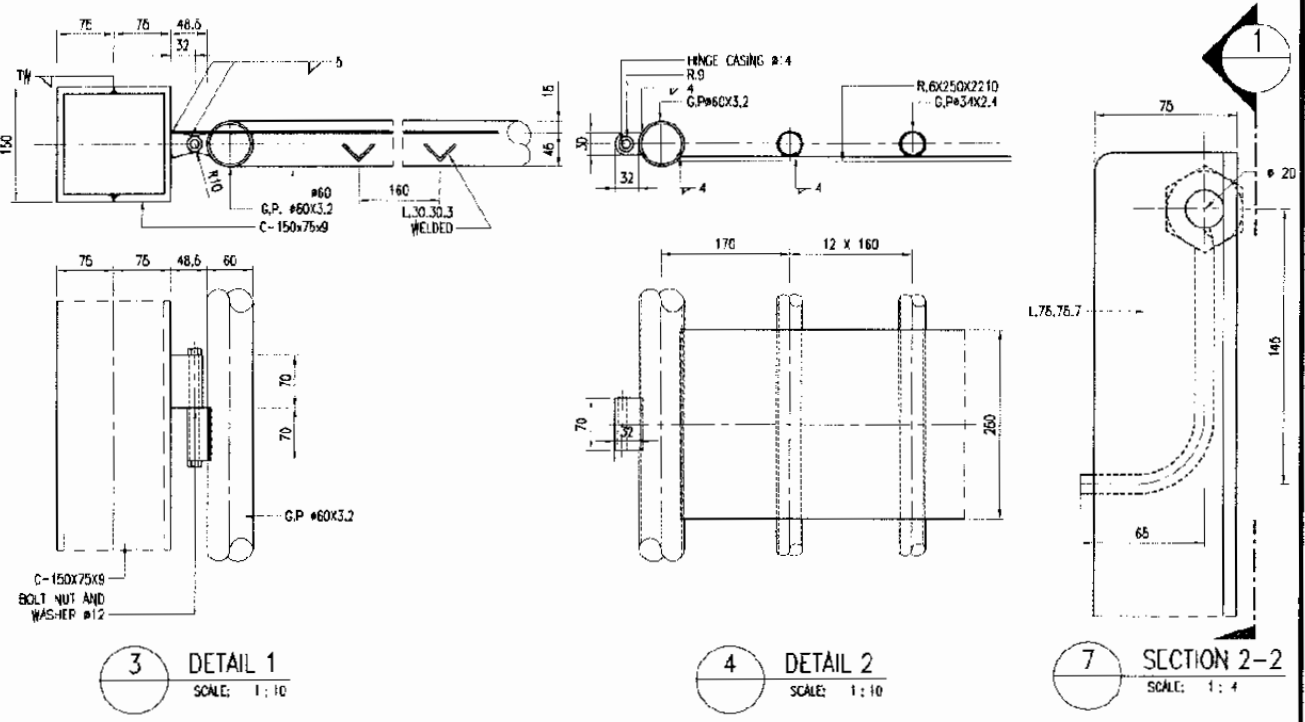
Note:
This detailed design has been executed by a team of consultants as shown below in accordance with the agreement between Japan International Cooperation Agency (JICA) and JICA Study Team.
The copyright of this drawing rests with JICA.

Designed by:
Japan International Cooperation Agency (JICA)
JICA Study Team:
Joint Venture of Pacific Consultants International and Japan Railway Technical Service

ARCHITECTURE	
BEKASI TIMUR & CIBITUNG SUBSTATION	
DATE	10/MARCH/2003
Drawing Title : ELEVATION A,C, SECTION 1,2,3 AND SECTION DETAIL -1	
Scale: 1:200	Drawing No. : AA-15-004



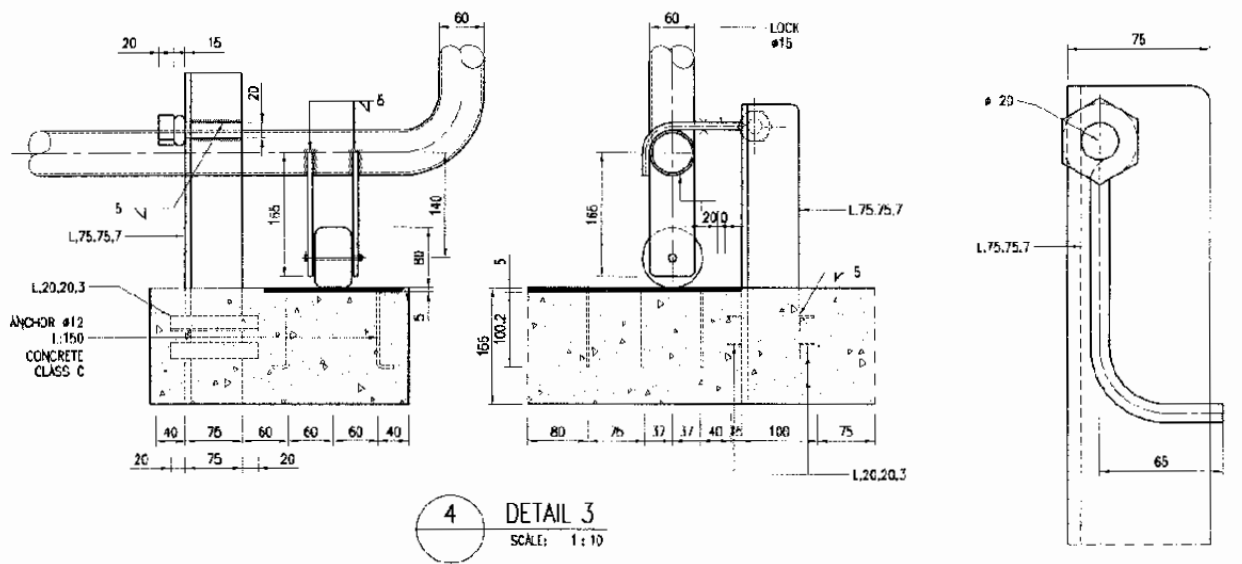
1 ENTRANCE GATE ELEVATION
SCALE: 1:40



3 DETAIL 1
SCALE: 1:10

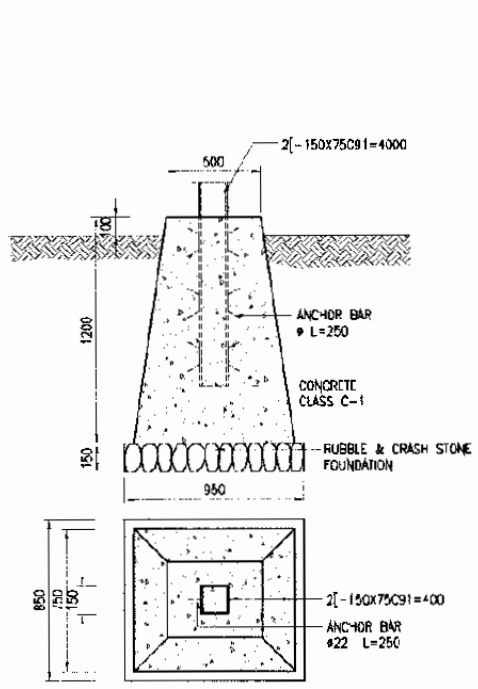
4 DETAIL 2
SCALE: 1:10

7 SECTION 2-2
SCALE: 1:4

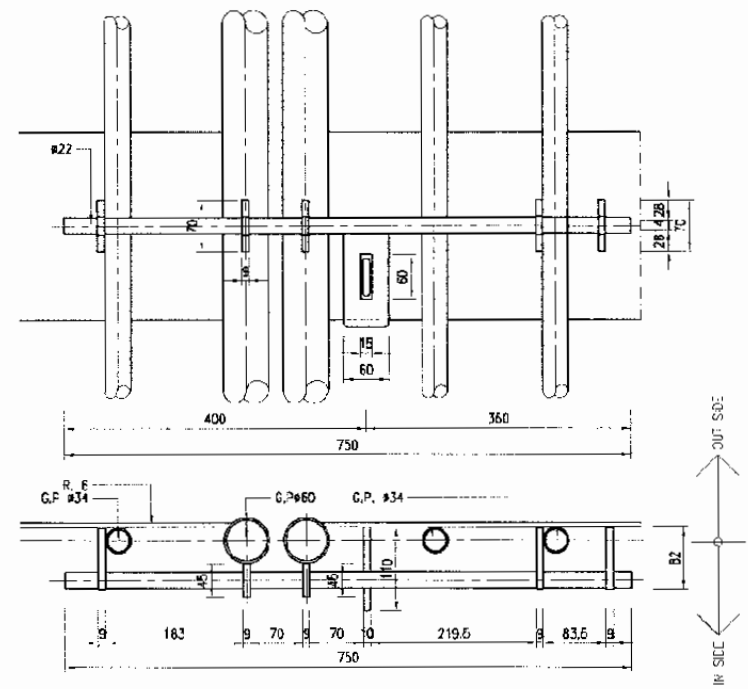


4 DETAIL 3
SCALE: 1:10

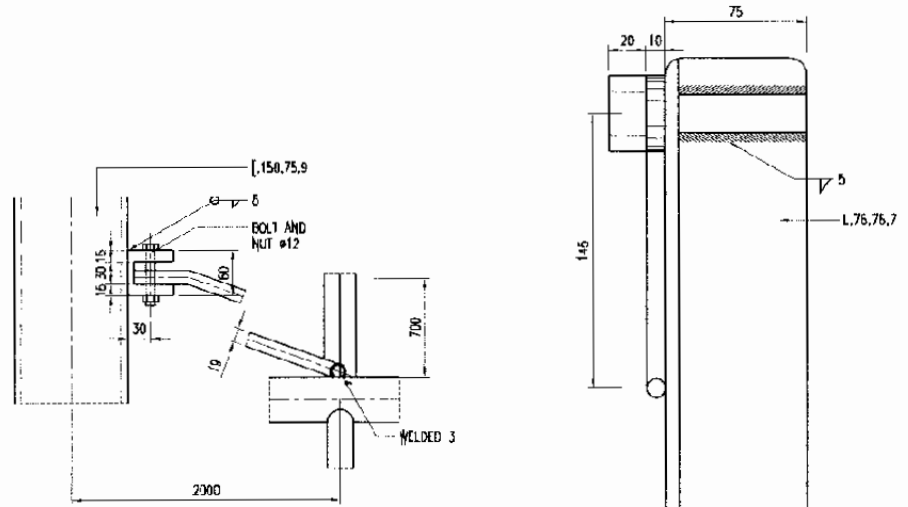
8 LOCK
SCALE: 1:4



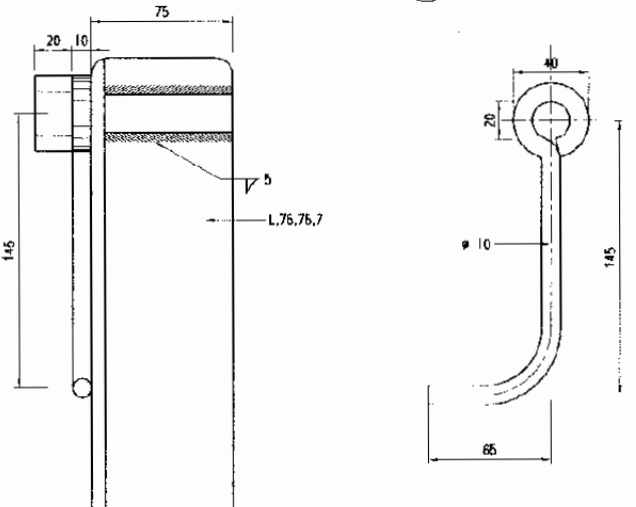
2 FOUNDATION
SCALE: 1:40



5 DETAIL 4
SCALE: 1:10



6 DETAIL 5
SCALE: 1:10



10 SECTION 1
SCALE: 1:4

9 DETAIL LOCK
SCALE: 1:4

The Railway Electrification and Double-double Tracking of Java Main Line Project



Note:
This detailed design has been executed by a team of consultants as shown below in accordance with the agreement between Japan International Cooperation Agency (JICA) and JICA Study Team.
The copyright of this drawing rests with JICA.

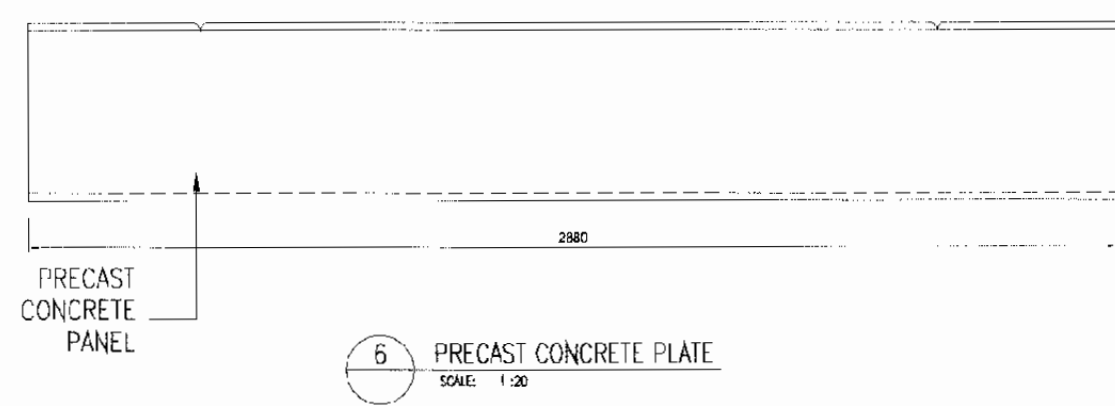
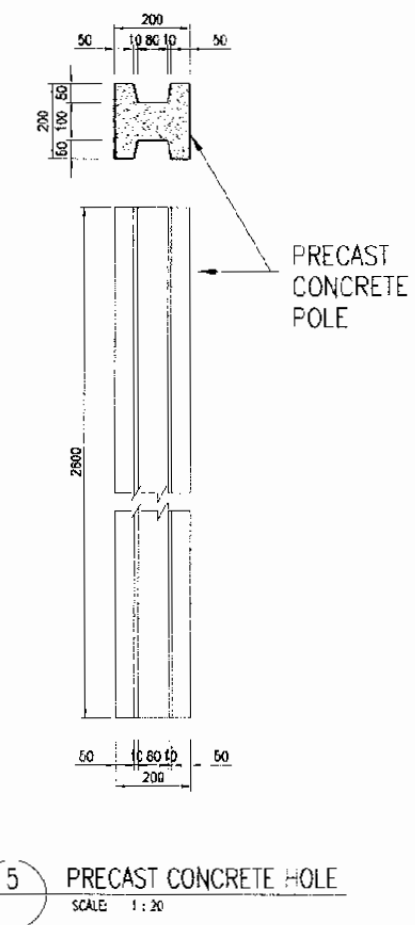
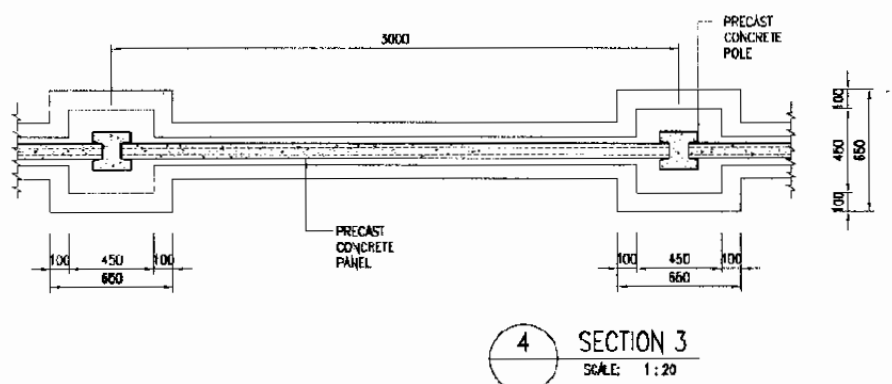
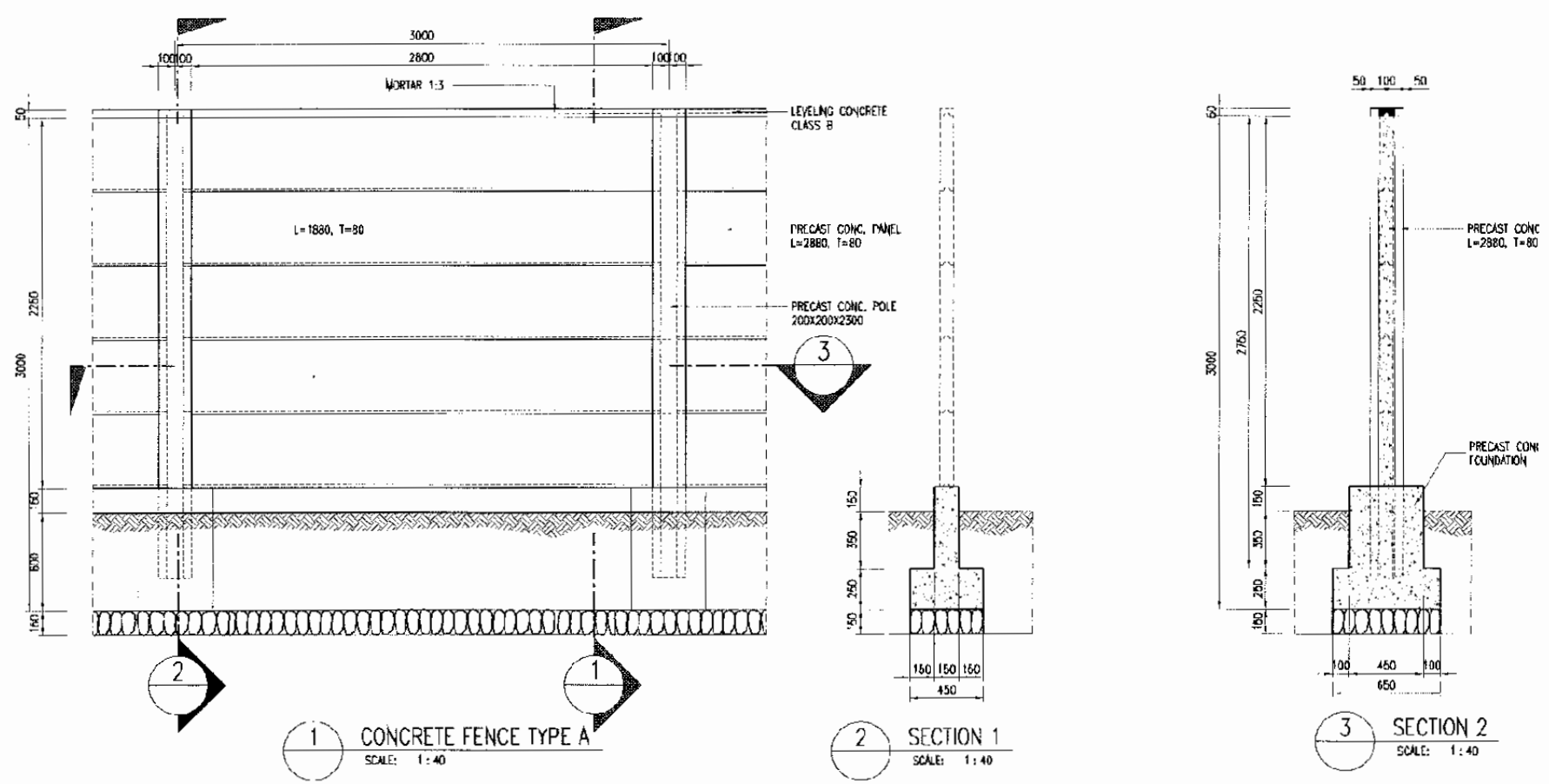
Designed by:
Japan International Cooperation Agency (JICA)
JICA Study Team:
Joint Venture of Pacific Consultants International and Japan Railway Technical Service

ARCHITECTURE
BEKASI TIMUR & CIBITUNG SUBSTATION

DATE 10/MARCH/2003

Drawing Title:
ENTRANCE GATE DETAILS

Scale: 1:40, 1:10
Drawing No.: AA-15-006



The Railway Electrification and Double-double Tracking of Java Main Line Project



Note:
This detailed design has been executed by a team of consultants as shown below in accordance with the agreement between Japan International Cooperation Agency (JICA) and JICA Study Team.
The copyright of this drawing rests with JICA.

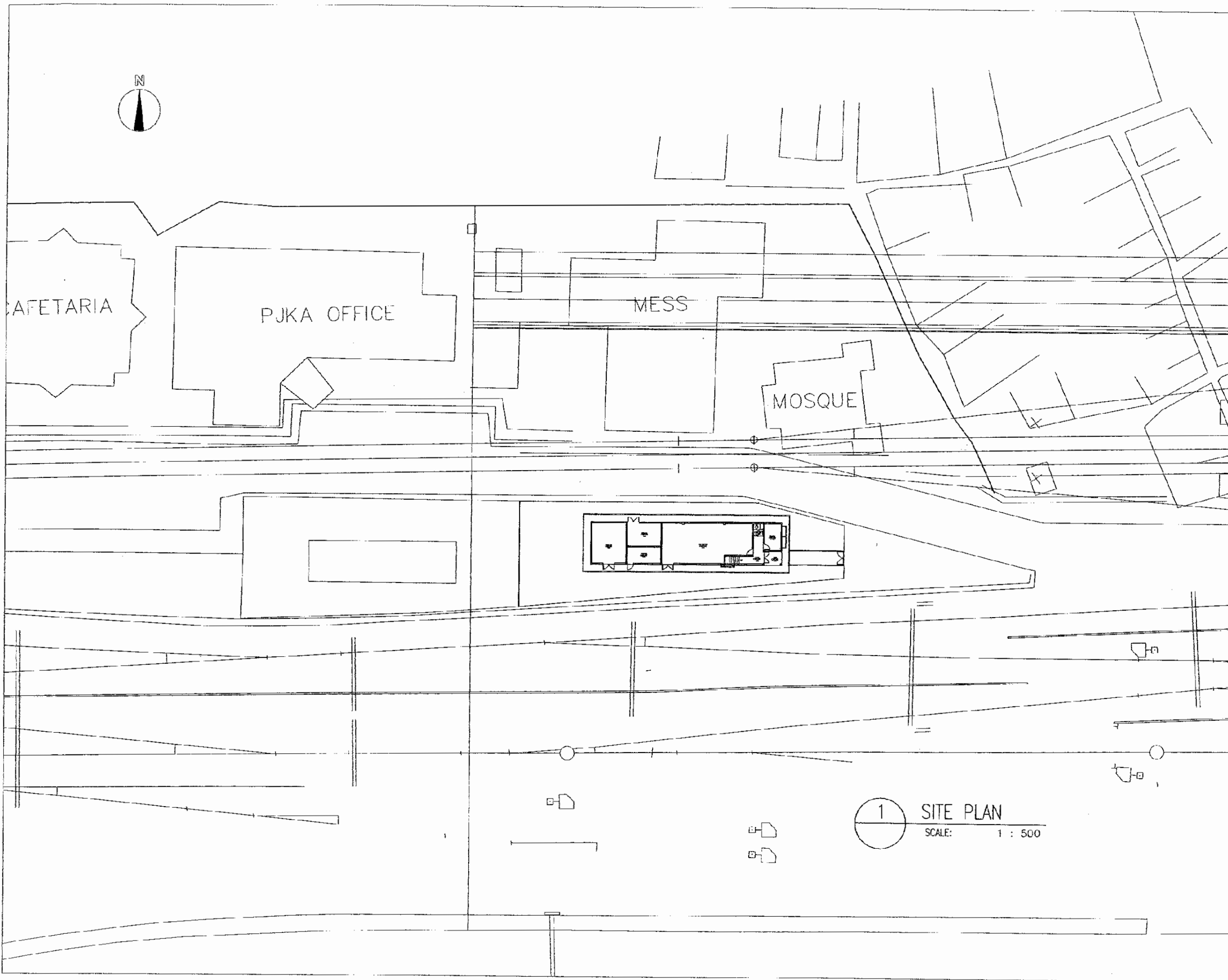
Designed by:
Japan International Cooperation Agency (JICA)
JICA Study Team:
Joint Venture of Pacific Consultants International and Japan Railway Technical Service

ARCHITECTURE
BEKASI TIMUR & CIBITUNG SUBSTATION

DATE 10/MARCH/2003

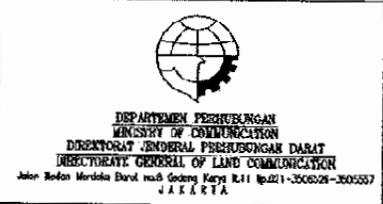
Drawing Title:
CONCRETE FENCE DETAILS

Scale:
1:40
1:20
Drawing No.:
AA-15-007



1 SITE PLAN
SCALE: 1 : 500

The Railway Electrification and Double - double Tracking of Java Main Line Project



Note:
This detailed design has been executed by a team of consultants as shown below in accordance with the agreement between Japan International Cooperation Agency (JICA) and JICA Study Team.
The copyright of this drawing rests with JICA.

Designed by:
Japan International Cooperation Agency (JICA)
JICA Study Team:
Joint Venture of
Pacific Consultants International and
Japan Railway Technical Service

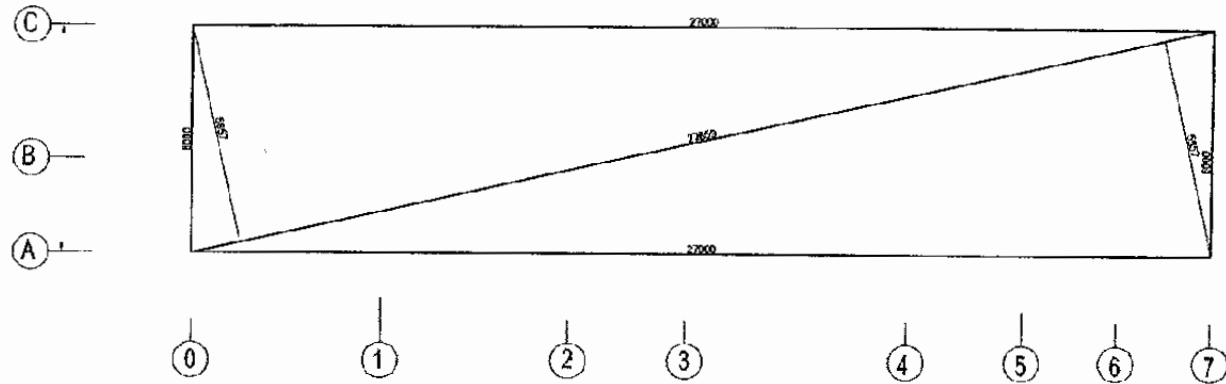
ARCHITECTURE

BEKASI SIGNAL CABIN

DATE 10/MARCH/2003

Drawing Title :
SITE PLAN

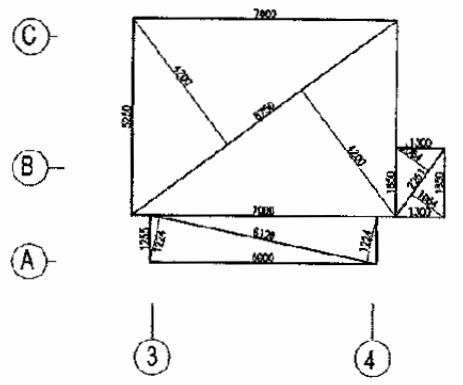
Scale: 1 : 500
Drawing No.: AA-16-001



1 GROUND FLOOR AREA
SCALE: 1:200

GROUND FLOOR

NO	CALCULATIONS	SUB TOTAL (M ²)
1	0.5 X 6 X 27	81
2	0.5 X 6 X 27	81
	TOTAL	162 (M ²)



2 1ST FLOOR AREA
SCALE: 1:200

1'ST FLOOR

NO	CALCULATIONS	SUB TOTAL (M ²)
1	0.5 X 5.25 X 7	18.37
2	0.5 X 5.25 X 7	18.37
3	0.5 X 1.25 X 6	3.76
4	0.5 X 1.25 X 6	3.76
5	0.5 X 1.85 X 1.3	1.2
6	0.5 X 1.85 X 1.3	1.2
	TOTAL	46.66 (M ²)

NO	FLOOR AREA	SUB TOTAL (M ²)
1	GROUND FLOOR	162
2	1'ST FLOOR	46.66
	TOTAL	208.66 (M ²)

The Railway Electrification and Double - double Tracking of Java Main Line Project



This detailed design has been executed by a team of consultants as shown below in accordance with the agreement between Japan International Cooperation Agency (JICA) and JICA Study Team.
The copyright of this drawing rests with JICA.

Designed by:
Japan International Cooperation Agency (JICA)
JICA Study Team:
Joint Venture of
Pacific Consultants International and
Japan Railway Technical Service

ARCHITECTURE

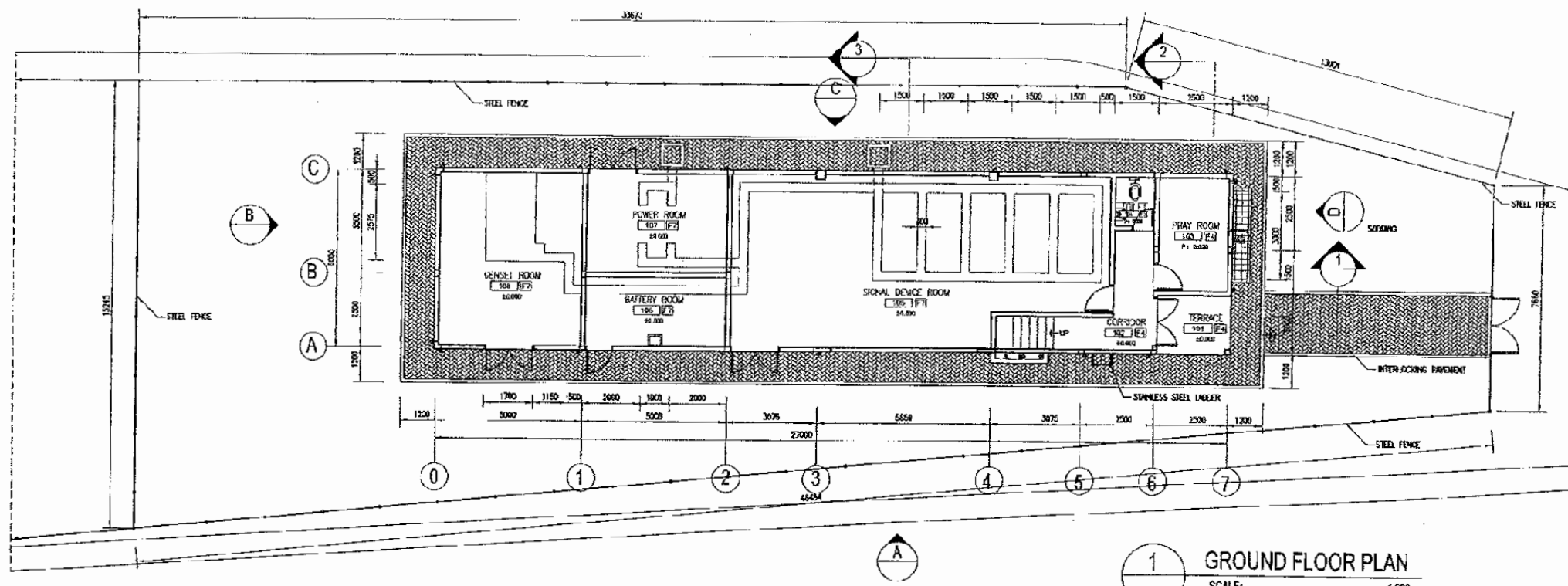
BEKASI SIGNAL CABIN

DATE 10/MARCH/2003

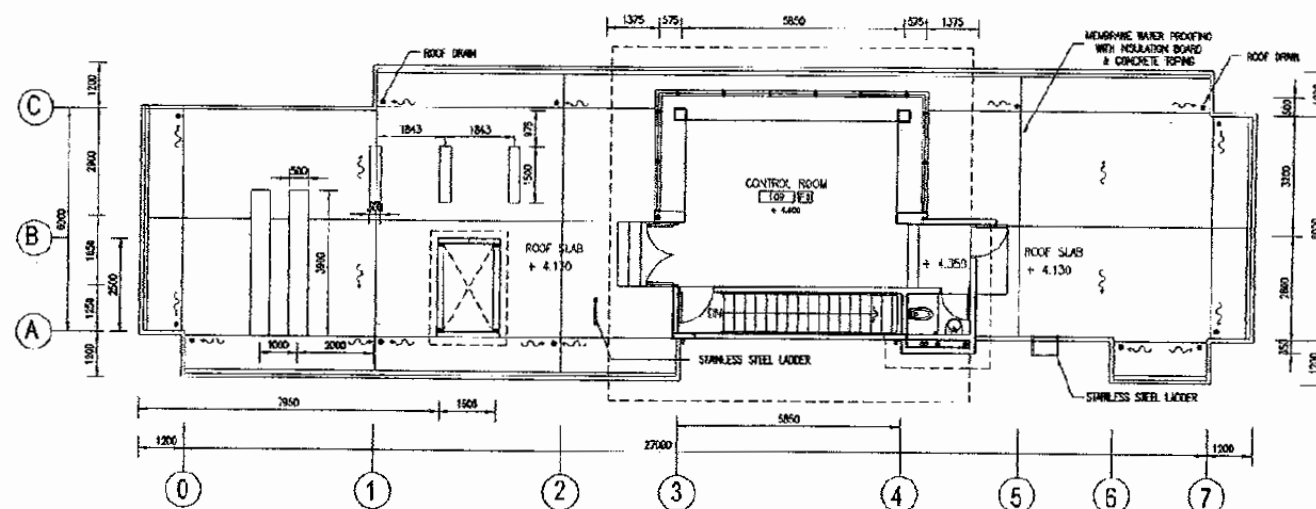
Drawing Title :

AREA TABLE

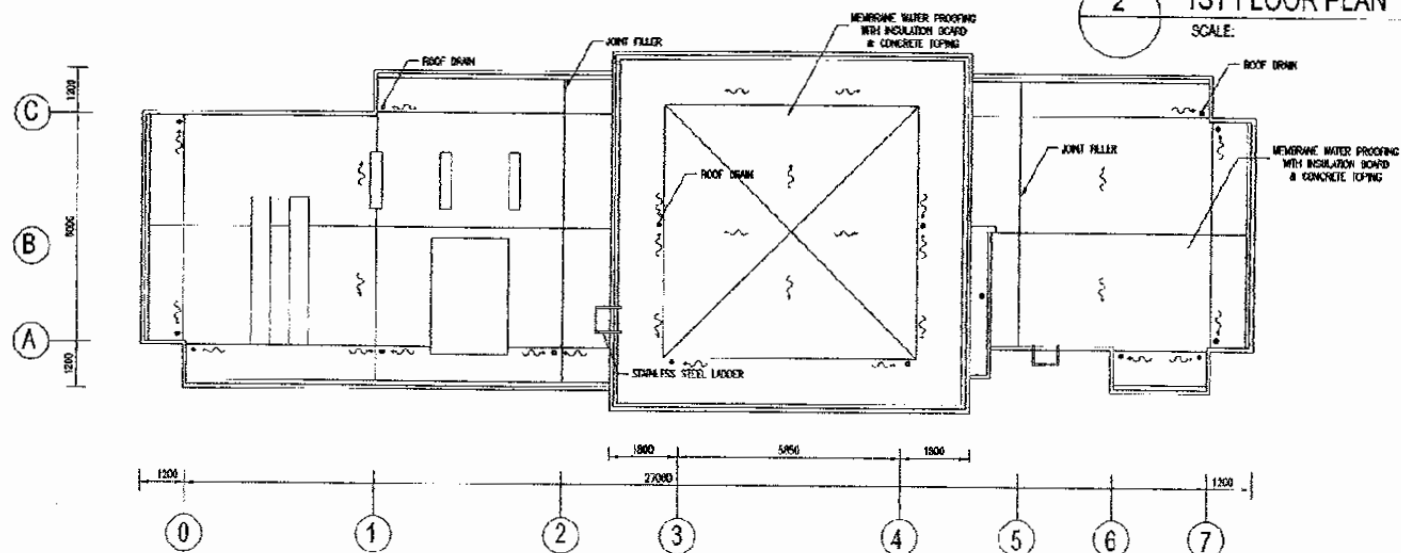
Scale: 1 : 200 Drawing No.: AA-16-002



1 GROUND FLOOR PLAN
SCALE: 1:200



2 1ST FLOOR PLAN
SCALE: 1:200



3 ROOF PLAN
SCALE: 1:200

The Railway Electrification and Double - double Tracking of Jowo Main Line Project



This detailed design has been executed by a team of consultants as shown below in accordance with the agreement between Japan International Cooperation Agency (JICA) and JICA Study Team. The copyright of this drawing rests with JICA.

Designed by:
Japan International Cooperation Agency (JICA)
JICA Study Team:
Joint Venture of Pacific Consultants International and Japan Railway Technical Service

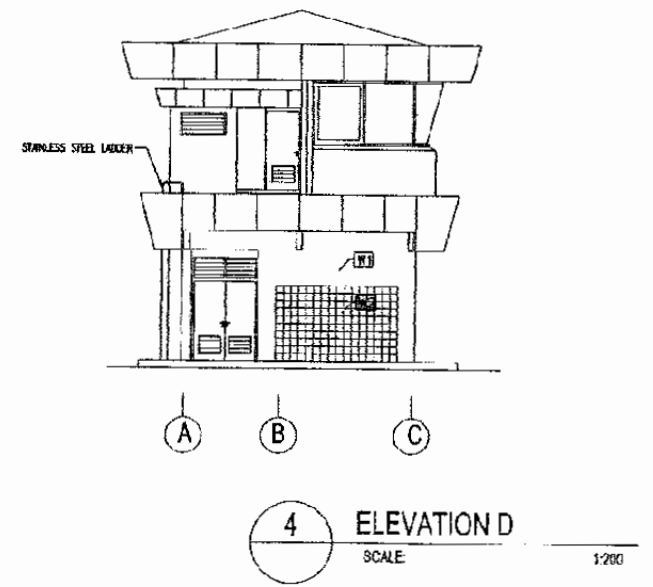
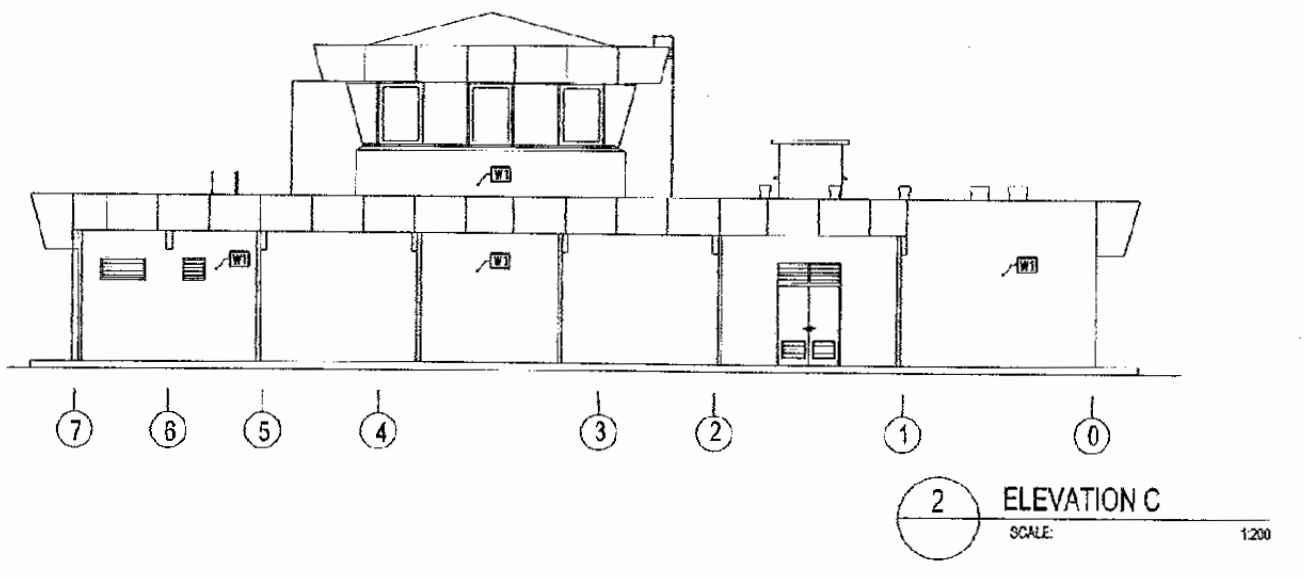
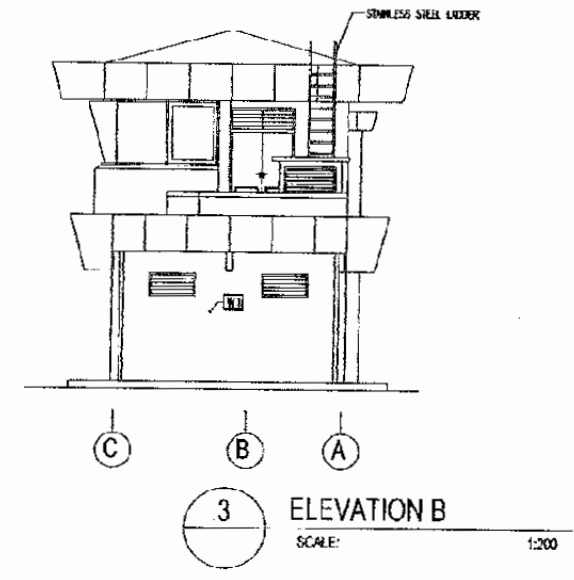
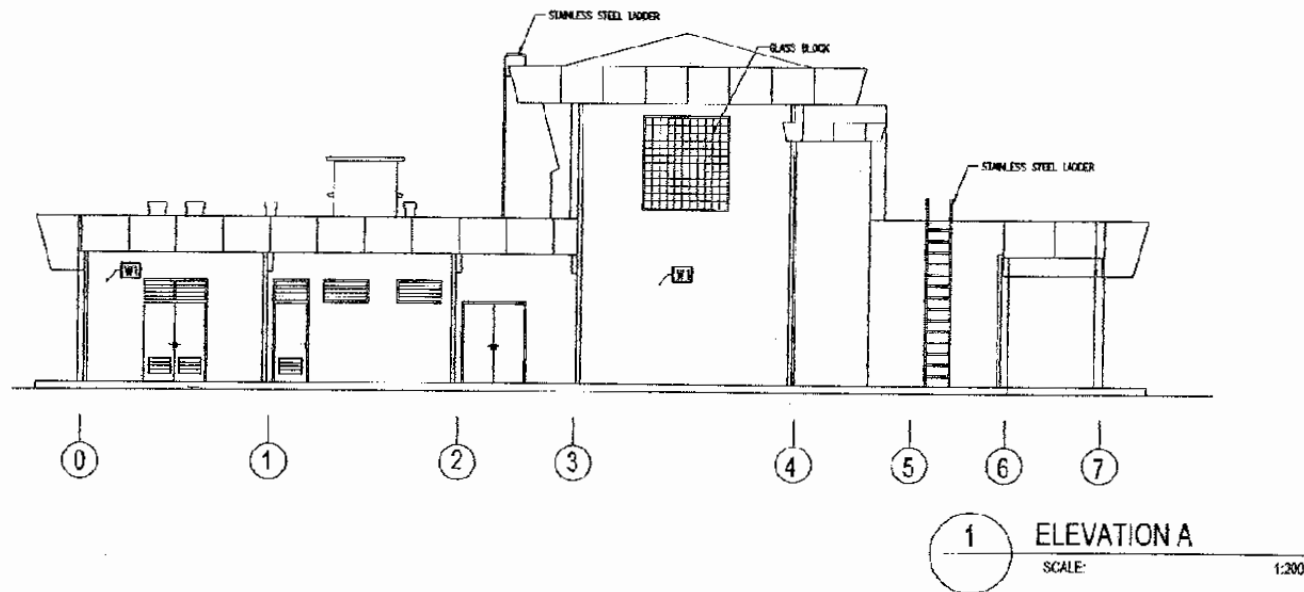
ARCHITECTURE

BEKASI SIGNAL CABIN

DATE 10/MARCH/2003

Drawing Title :
GROUND FLOOR PLAN
FIRST FLOOR PLAN
ROOF PLAN

Scale: 1 : 200
Drawing No.: AA-16-003



The Railway Electrification and Double - double - Tracking of Java Main Line Project



This detailed design has been executed by a team of consultants as shown below in accordance with the agreement between Japan International Cooperation Agency (JICA) and JICA Study Team. The copyright of this drawing rests with JICA.

Designed by:
 Japan International Cooperation Agency (JICA)
 JICA Study Team:
 Joint Venture of
 Pacific Consultants International and
 Japan Railway Technical Service

ARCHITECTURE

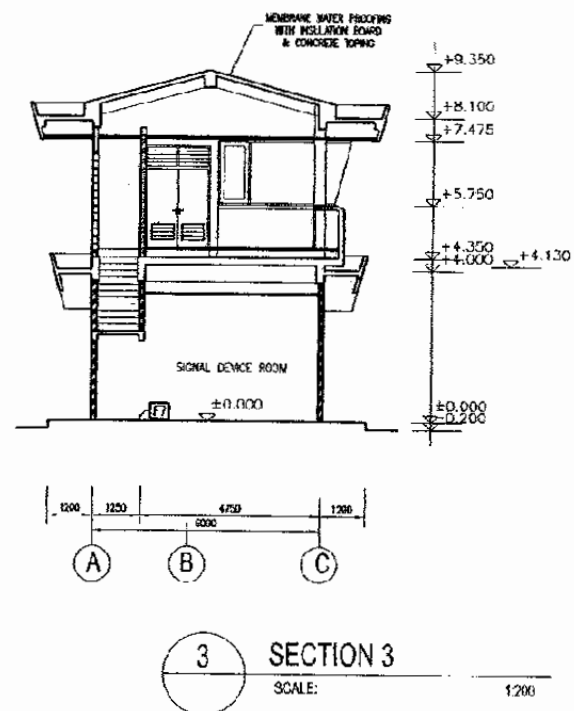
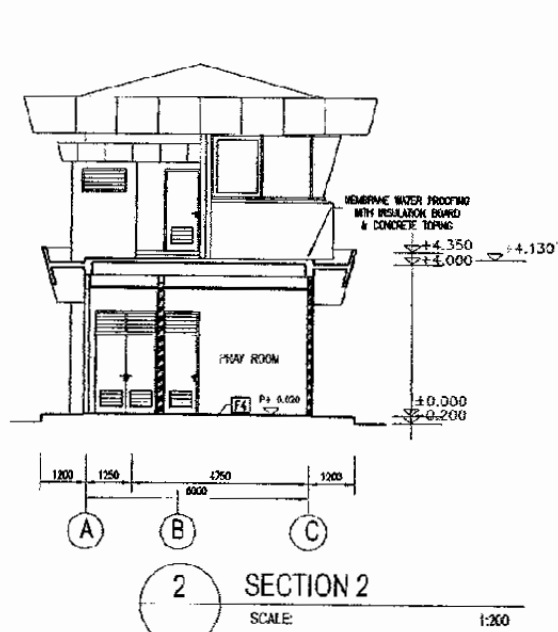
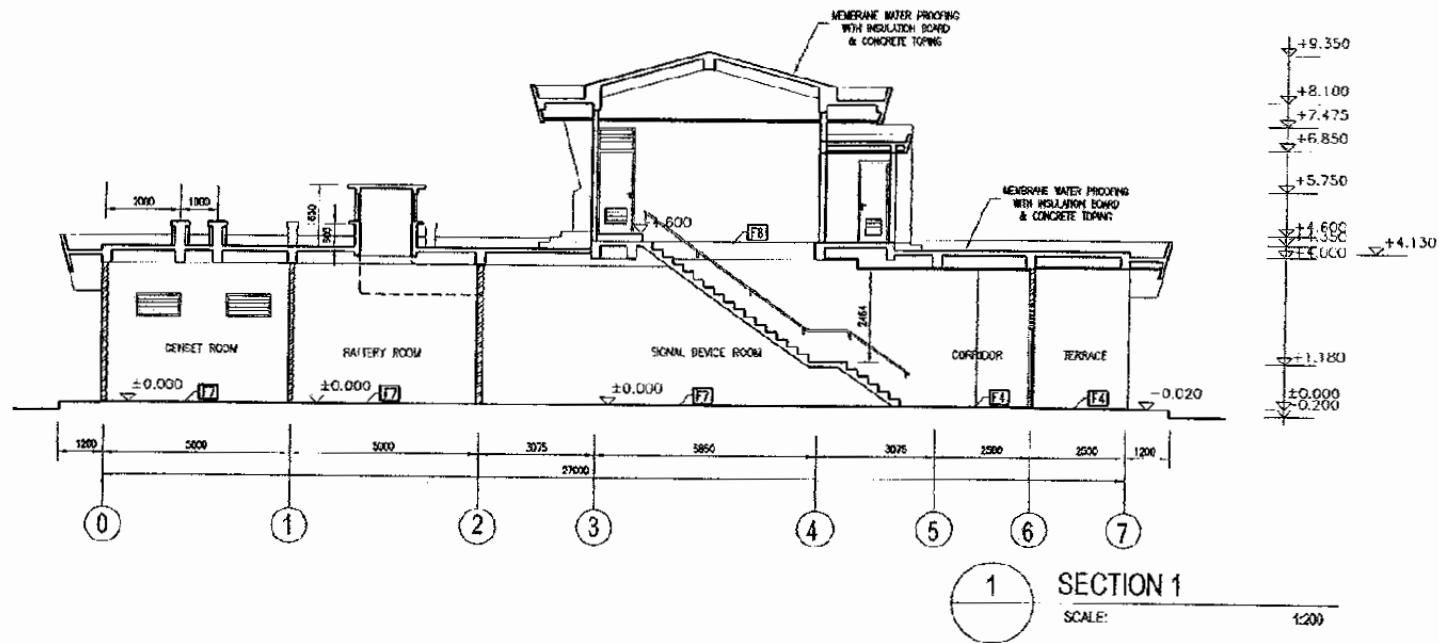
BEKASI SIGNAL CABIN

DATE 10/MARCH/2003

Drawing Title :

 ELEVATION A,B,C,D

Scale:
 1 : 200 AA-16-004



The Railway Electrification and Double - double Tracking of Java Main Line Project



This detailed design has been executed by a team of consultants as shown below in accordance with the agreement between Japan International Cooperation Agency (JICA) and JICA Study Team. The copyright of this drawing rests with JICA.

Designed by:
 Japan International Cooperation Agency (JICA)
 JICA Study Team:
 Joint Venture of
 Pacific Consultants International and
 Japan Railway Technical Service

ARCHITECTURE

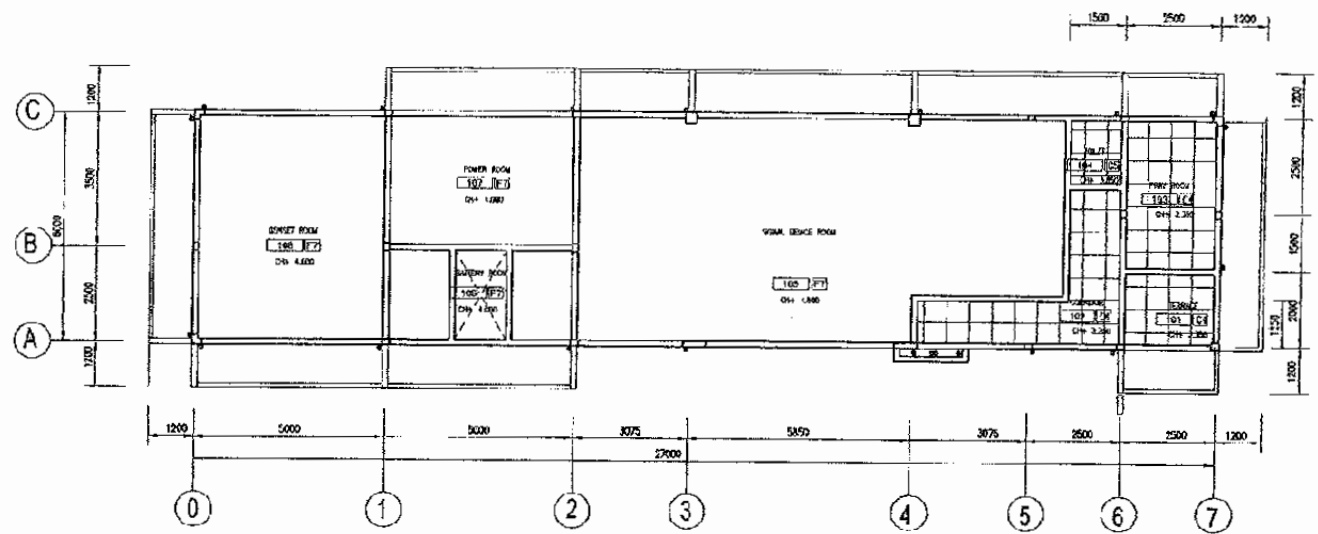
BEKASI SIGNAL CABIN

DATE 10/MARCH/2003

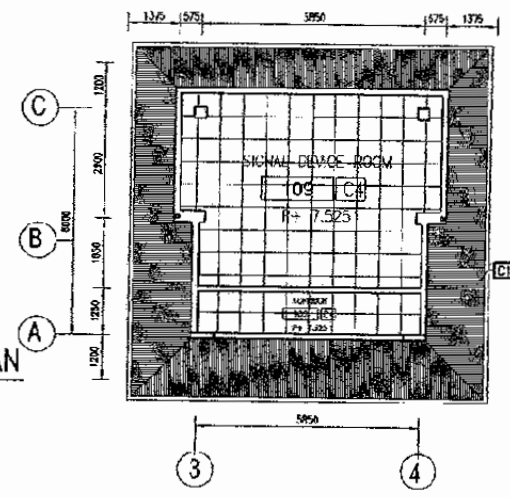
Drawing Title :

SECTION 1,2,3

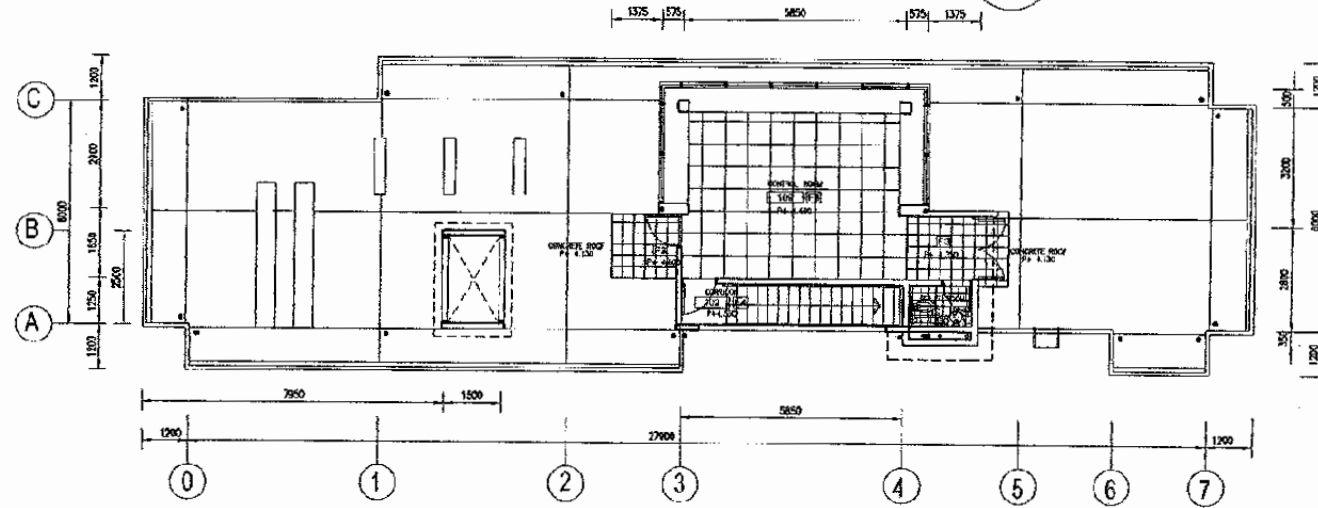
Scale: 1 : 200
 Drawing No.: AA-16-005



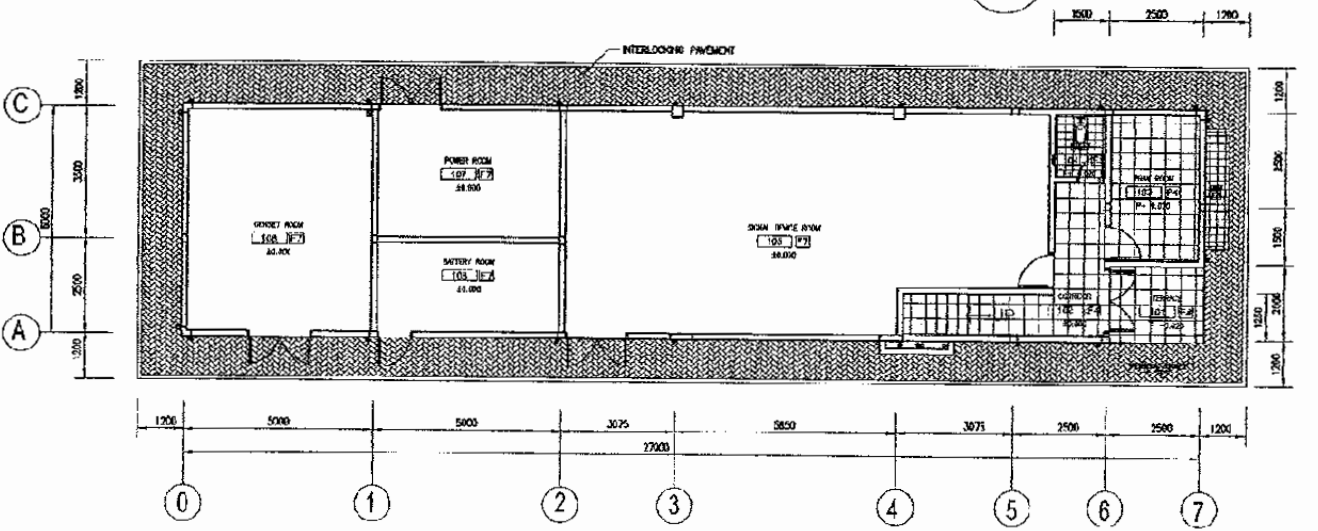
1 GROUND FLOOR REFLECTED CEILING PLAN
SCALE: 1:200



4 FIRST FLOOR REFLECTED CEILING PLAN
SCALE: 1:200



2 FIRST FLOOR FLOOR PATTERN
SCALE: 1:200



3 GROUND FLOOR FLOOR PATTERN
SCALE: 1:200

The Railway Electrification and Double - double Tracking of Java Main Line Project



This detailed design has been executed by a team of consultants as shown below in accordance with the agreement between Japan International Cooperation Agency (JICA) and JICA Study Team. The copyright of this drawing rests with JICA.

Designed by:
Japan International Cooperation Agency (JICA)
JICA Study Team:
Joint Venture of
Pacific Consultants International and
Japan Railway Technical Service

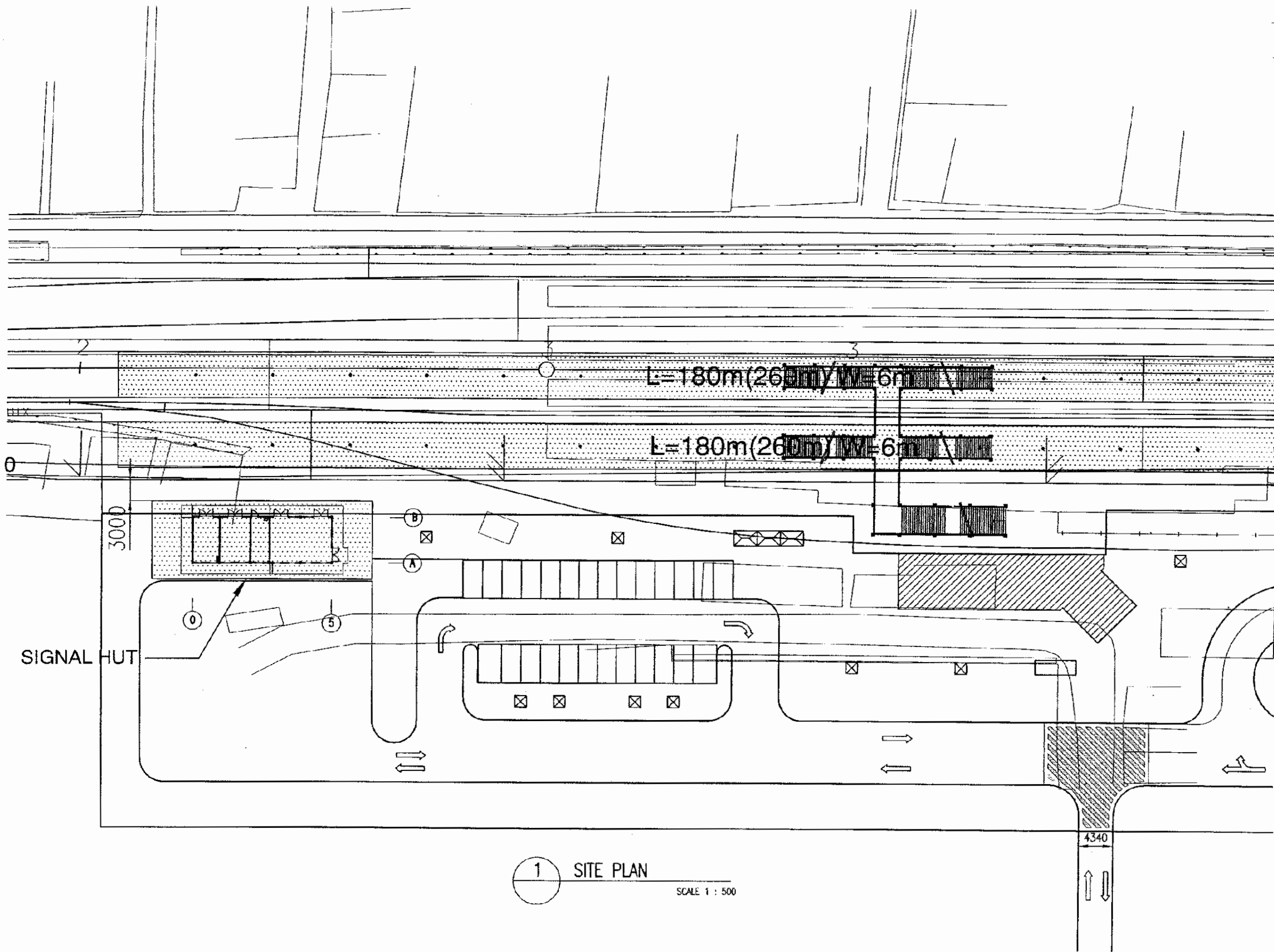
ARCHITECTURE

BEKASI SIGNAL CABIN

DATE 10/MARCH/2003

Drawing Title :
FLOOR PATTERN
&
REFLECTED CEILING PLAN

Scale: 1 : 200
Drawing No.: AA-16-006



1 SITE PLAN
SCALE 1 : 500

The Railway Electrification and Double - double Tracking of Java Main Line Project



Note:
This detailed design has been executed by a team of consultants as shown below in accordance with the agreement between Japan International Cooperation Agency (JICA) and JICA Study Team.
The copyright of this drawing rests with JICA.

Designed by:
Japan International Cooperation Agency (JICA)
JICA Study Team:
Joint Venture of
Pacific Consultants International and
Japan Railway Technical Service

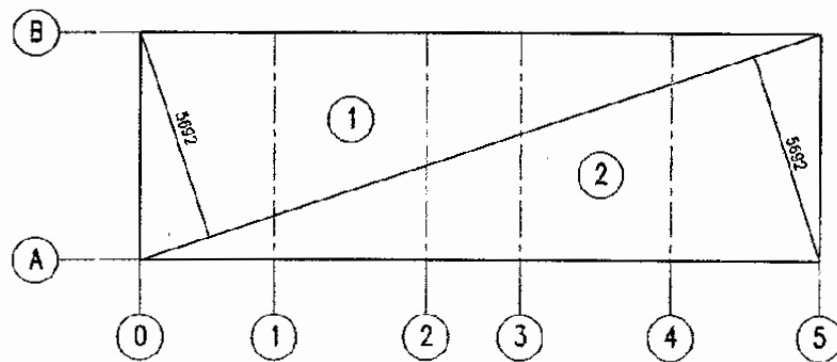
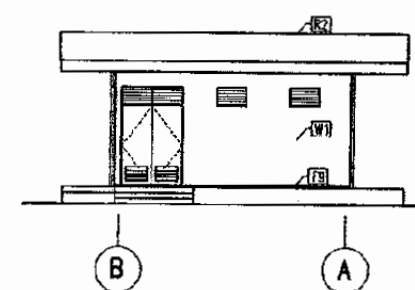
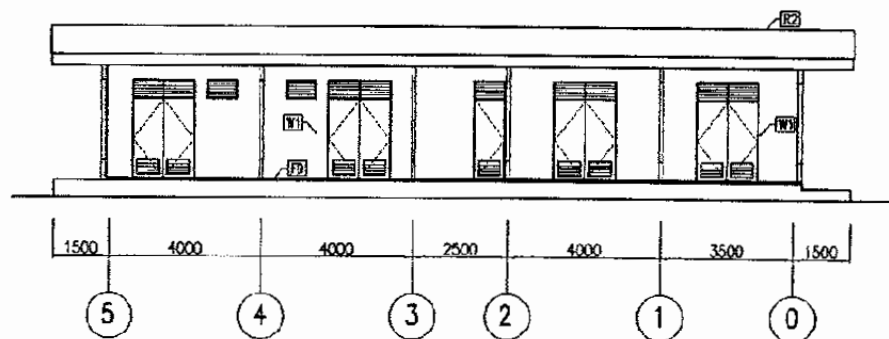
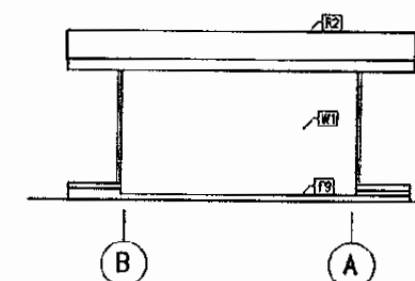
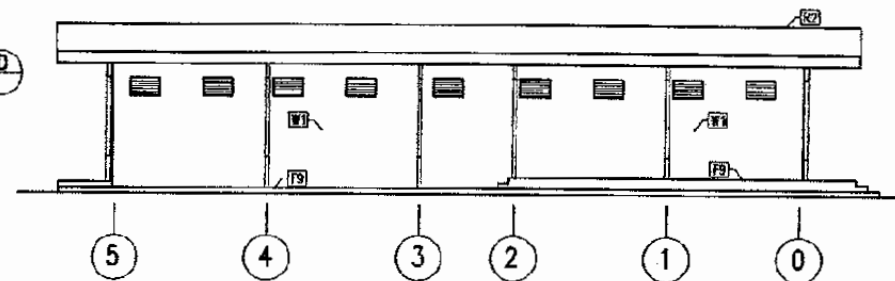
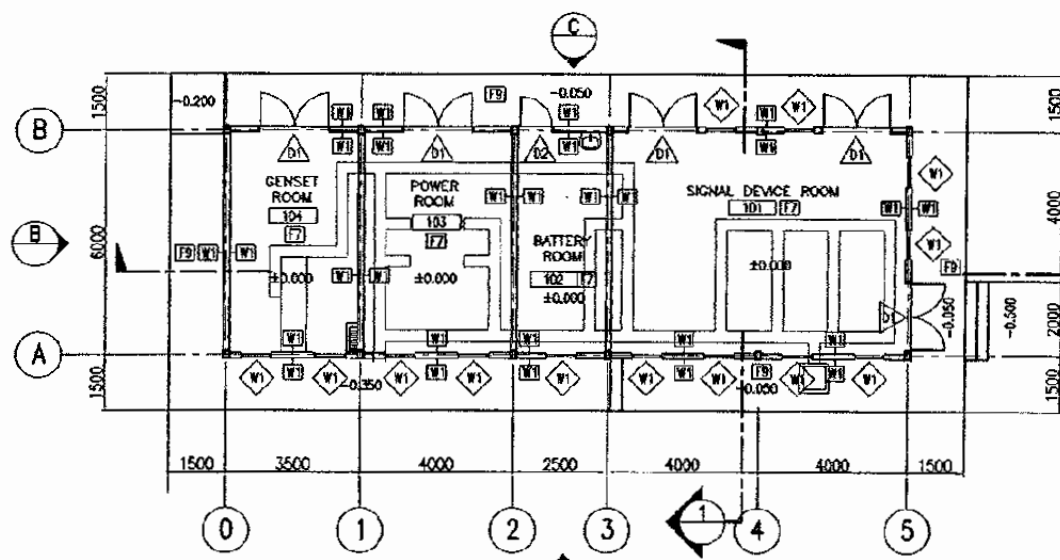
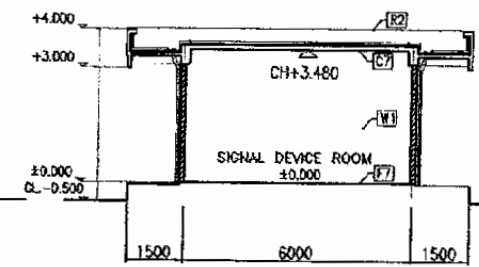
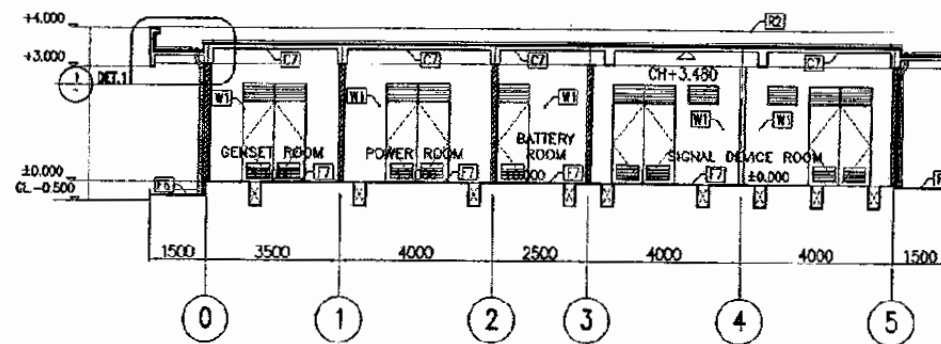
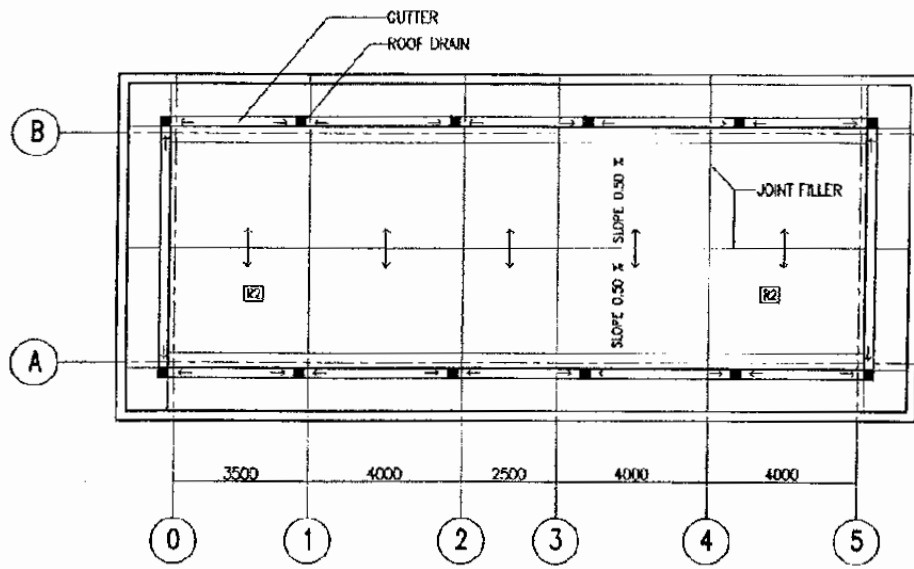
ARCHITECTURE

TAMBUN SIGNAL HUT

DATE 10/MARCH/2003

Drawing Title :
SITE PLAN

Scale: 1 : 500 Drawing No: AA-17-001



NO	CALCULATIONS	SUB TOTAL (SQM)
1	0.5 X 6 X 18	54
2	0.5 X 6 X 18	54
TOTAL		108

The Railway Electrification and Double - double Tracking of Java Main Line Project



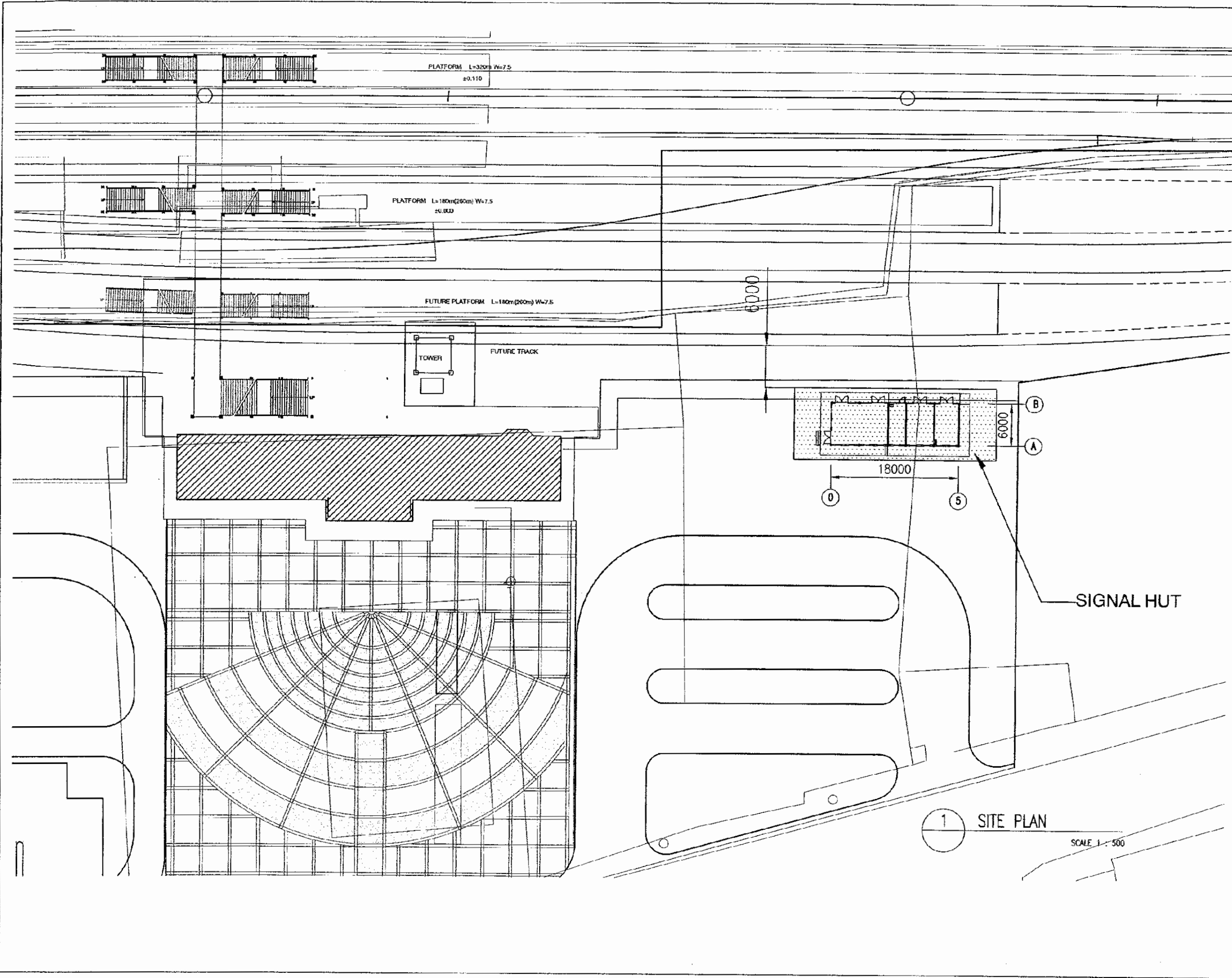
Note:
This detailed design has been executed by a team of consultants as shown below in accordance with the agreement between Japan International Cooperation Agency (JICA) and JICA Study Team.
The copyright of this drawing rests with JICA.

Designed by:
Japan International Cooperation Agency (JICA)
JICA Study Team:
Joint Venture of Pacific Consultants International and Japan Railway Technical Service

ARCHITECTURE
TAMBUN SIGNAL HUT
DATE 10/MARCH/2003

Drawing Title :
AREA TABLE, FLOOR PLAN, ROOF PLAN, ELEV. & SECTION

Scale: 1 : 200 Drawing No.: AA-17-002



1 SITE PLAN

SCALE 1 : 500

The Railway Electrification and Double - double Tracking of Java Main Line Project



Note:
 This detailed design has been executed by a team of consultants as shown below in accordance with the agreement between Japan International Cooperation Agency (JICA) and JICA Study Team.
 The copyright of this drawing rests with JICA.

Designed by:
 Japan International Cooperation Agency (JICA)
 JICA Study Team:
 Joint Venture of
 Pacific Consultants International and
 Japan Railway Technical Service

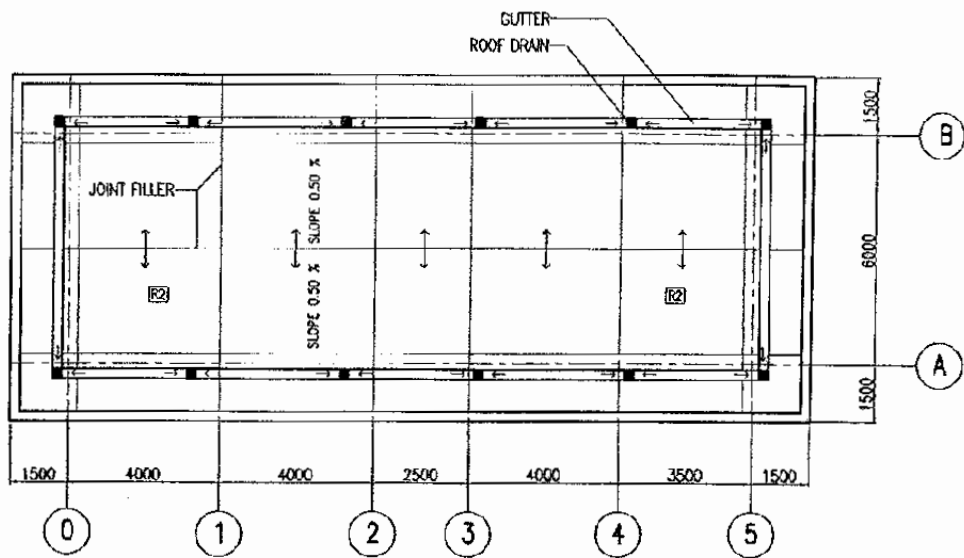
ARCHITECTURE

CIKARANG SIGNAL HUT

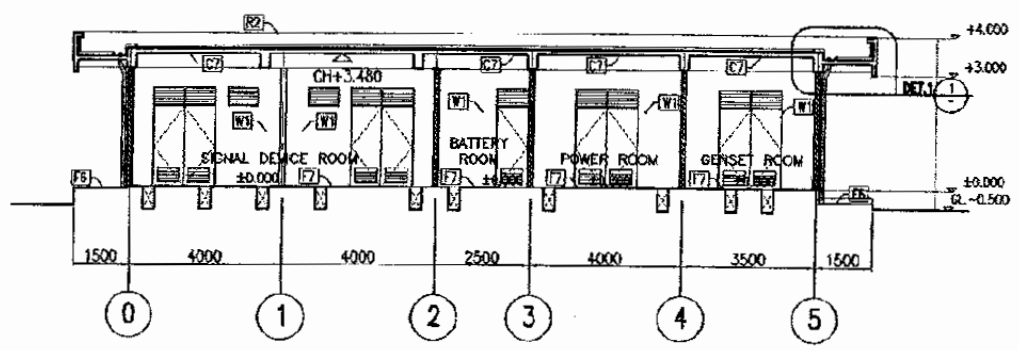
DATE 10/MARCH/2003

Drawing Title :
 SITE PLAN

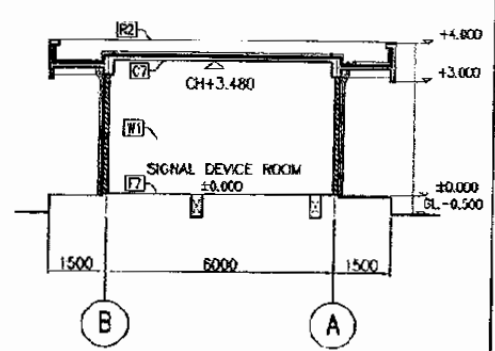
Scale: 1 : 500 Drawing No: AA-18-001



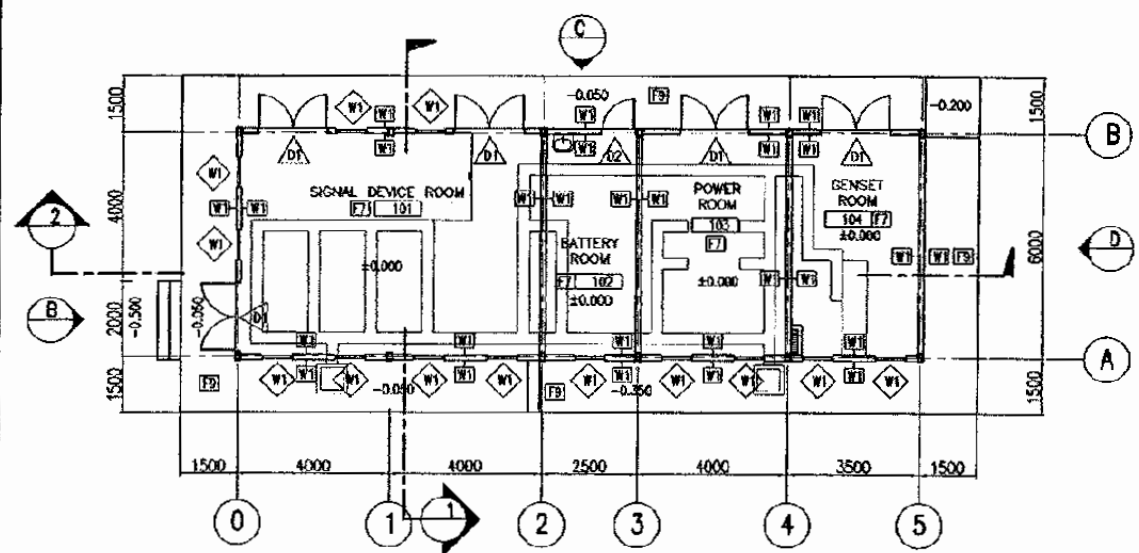
2 ROOF PLAN
SCALE: 1 : 200



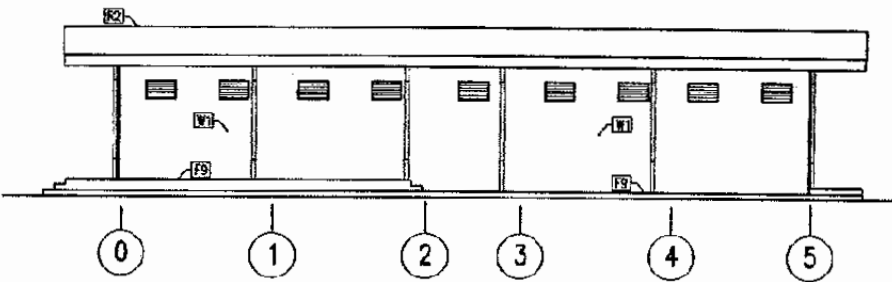
3 SECTION 2
SCALE: 1 : 200



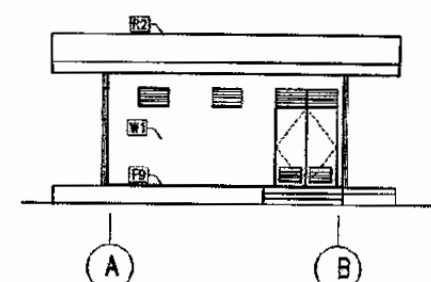
4 SECTION 1
SCALE: 1 : 200



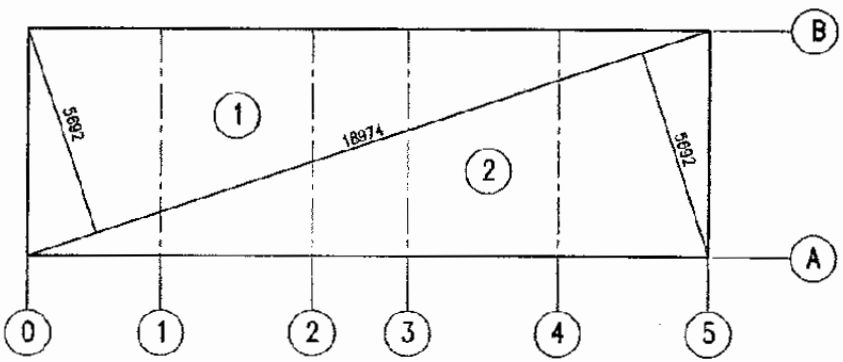
1 FLOOR PLAN
SCALE: 1 : 200



7 ELEVATION A
SCALE: 1 : 200

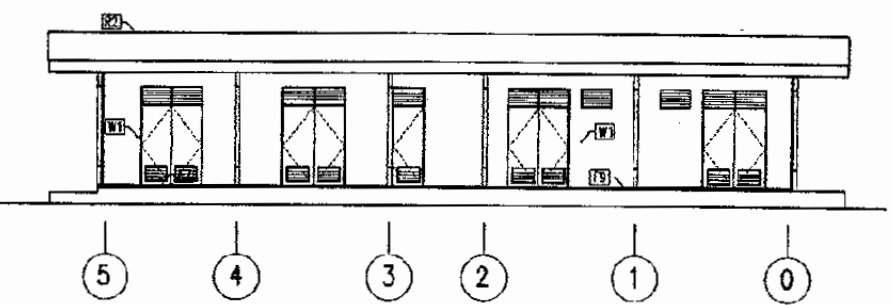


5 ELEVATION B
SCALE: 1 : 200

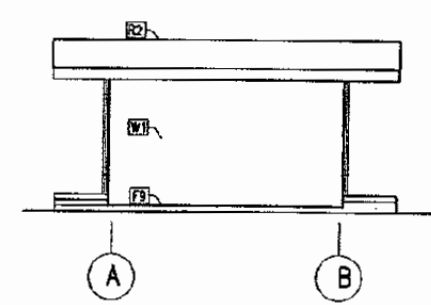


1 AREA TABLE
SCALE: 1 : 200

NO	CALCULATIONS	SUB TOTAL (SQM)
1	0.5 X 6 X 18	54
2	0.5 X 6 X 18	54
TOTAL		108



8 ELEVATION C
SCALE: 1 : 200



6 ELEVATION D
SCALE: 1 : 200

The Railway Electrification and Double - double Tracking of Java Main Line Project



Note:
This detailed design has been executed by a team of consultants as shown below in accordance with the agreement between Japan International Cooperation Agency (JICA) and JICA Study Team.
The copyright of this drawing rests with JICA.

Designed by:
Japan International Cooperation Agency (JICA)
JICA Study Team:
Joint Venture of Pacific Consultants International and Japan Railway Technical Service

ARCHITECTURE

CIKARANG SIGNAL HUT

DATE 10/MARCH/2003

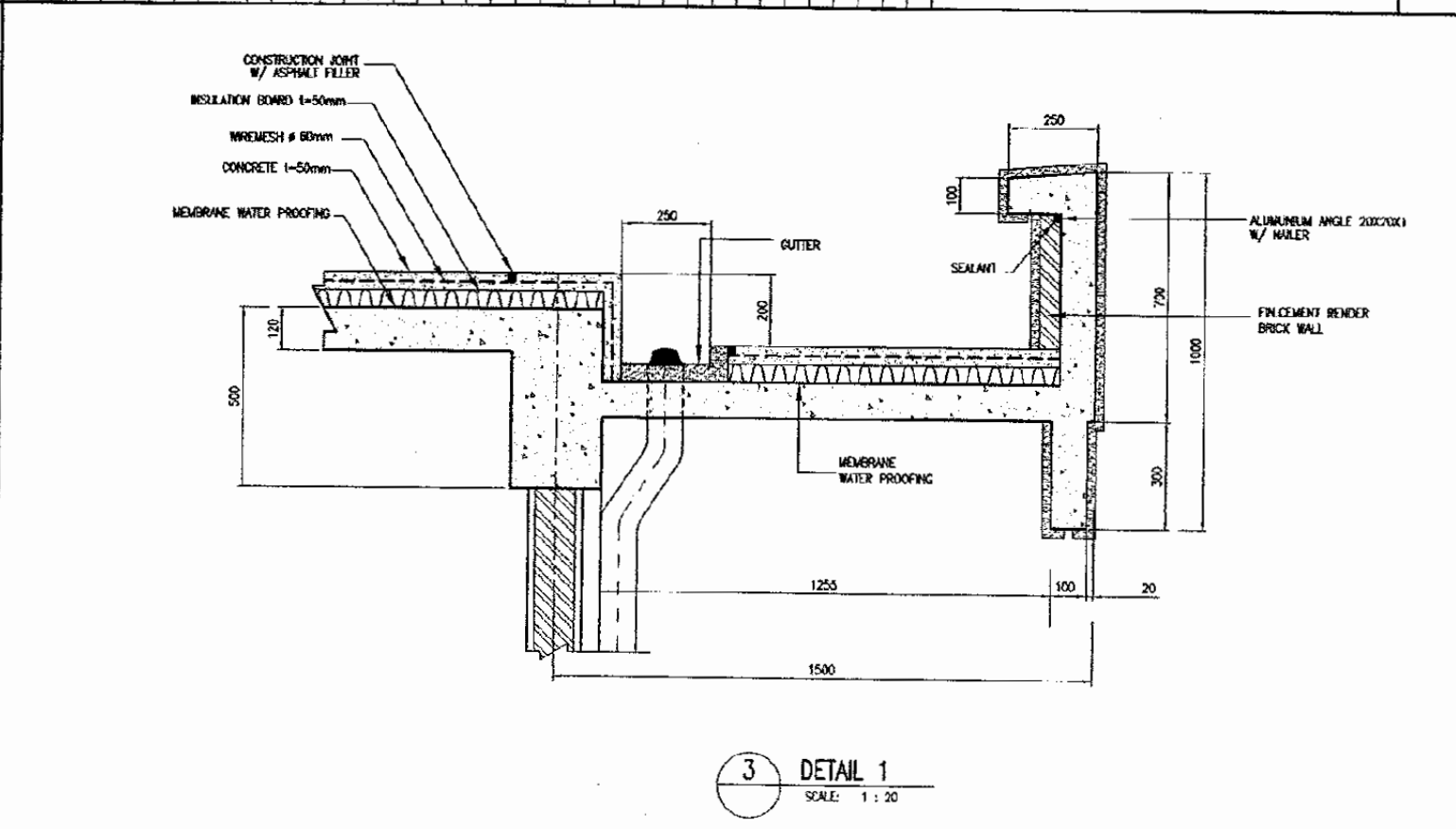
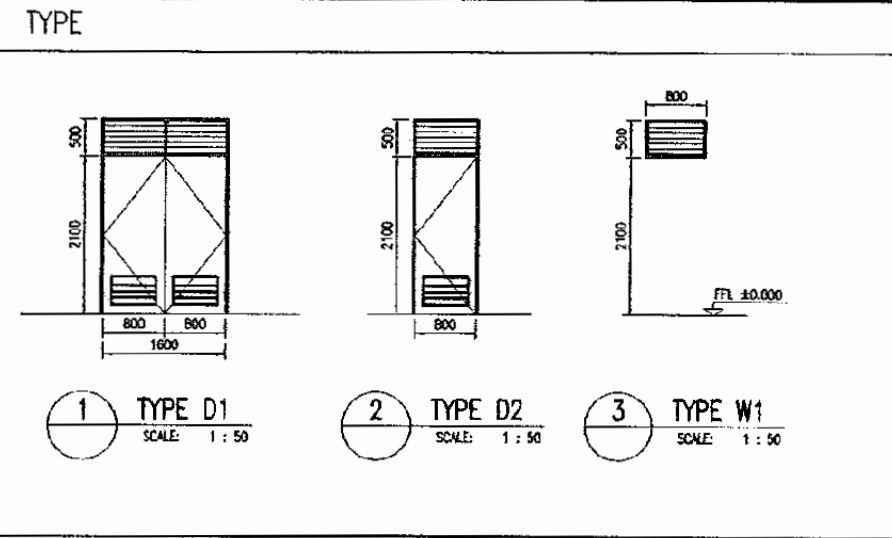
Drawing Title :
AREA TABLE, FLOOR PLAN, ROOF PLAN, ELEV. & SECTION

Scale: 1 : 200 Drawing No: AA-18-002

EXTERIOR FINISH SCHEDULE														
R	ROOF	REMARKS	F	FLOOR	REMARKS	B	BASE	REMARKS	W	WALL/COLUMN	REMARKS	C	CEILING / SOFFIT	REMARKS
R2	MEMBRANE WATER PROOFING W/ INSULATION BOARD		F9	INTERLOCKING CONCRETE PAVEMENT TYPE-B					W1	CEMENT PLASTER TROWEL W/ PAINT FINISH		C7	CEMENT PLASTER ON CONCRETE W/ PAINTED FINISH	

INTERIOR FINISH SCHEDULE															
NO.	ROOM NAME	ROOM FLOOR AREA (M ²)	CEILING HEIGHT (MM)	F	FLOOR	REMARKS	B	BASE	REMARKS	W	WALL/COLUMN	REMARKS	C	CEILING / SOFFIT	REMARKS
101	SIGNAL DEVICE ROOM	47.985	+3.480	F7	CONCRETE TROWEL W/FLOOR HARDENER					W1	CEMENT PLASTER TROWEL W/ PAINT FINISH		C7	CEMENT PLASTER ON CONCRETE W/ PAINTED FINISH	
102	BATTERY ROOM	15	+3.480	F7	CONCRETE TROWEL W/FLOOR HARDENER					W1	CEMENT PLASTER TROWEL W/ PAINT FINISH		C7	CEMENT PLASTER ON CONCRETE W/ PAINTED FINISH	
103	POWER ROOM	24	+3.480	F7	CONCRETE TROWEL W/FLOOR HARDENER					W1	CEMENT PLASTER TROWEL W/ PAINT FINISH		C7	CEMENT PLASTER ON CONCRETE W/ PAINTED FINISH	
104	GENSET ROOM	21	+3.480	F7	CONCRETE TROWEL W/FLOOR HARDENER					W1	CEMENT PLASTER TROWEL W/ PAINT FINISH		C7	CEMENT PLASTER ON CONCRETE W/ PAINTED FINISH	

DOOR & HARDWARE SCHEDULE																												
NO. NUMBER	ROOM NAME	TYPE	DOOR QTY.		WINDOW QTY.		HARDWARE												REMARKS	NOTES								
			01	02	01	02	DOOR						WINDOW															
101	SIGNAL DEVICE ROOM		3				W1			A	B	C	D	E	F	G	H	J	K	L	M	N	O	P				
102	BATTERY ROOM		1				B			•	•	•	•	•														
103	POWER ROOM		1				2			•	•	•	•	•														
104	GENSET ROOM		1				2			•	•	•	•	•														
	DOOR FRAME MATERIAL		ST	ST																								
	DOOR FRAME FIN. MATERIAL		AP	AP																								
	DOOR LEAF MATERIAL		ST	ST																								
	DOOR LEAF FIN. MATERIAL		AP	AP																								
	WINDOW FRAME MATERIAL						AL																					
	WINDOW FRAME FIN. MATERIAL						PC																					
	WINDOW LEAF MATERIAL						AL																					
	WINDOW LEAF FIN. MATERIAL						PC																					
	TOTAL		5	1			13																					



The Railway Electrification and Double - double Tracking of Java Main Line Project

DEPARTMENT OF TRANSPORTATION
MINISTRY OF COMMUNICATIONS
REPUBLIC OF INDONESIA
JAKARTA

Note:
This detailed design has been executed by a team of consultants as shown below in accordance with the agreement between Japan International Cooperation Agency (JICA) and JICA Study team.
The copyright of this drawing rests with JICA.

Designed by:
Japan International Cooperation Agency (JICA)
JICA Study Team:
Joint Venture of
Pacific Consultants International and
Japan Railway Technical Service

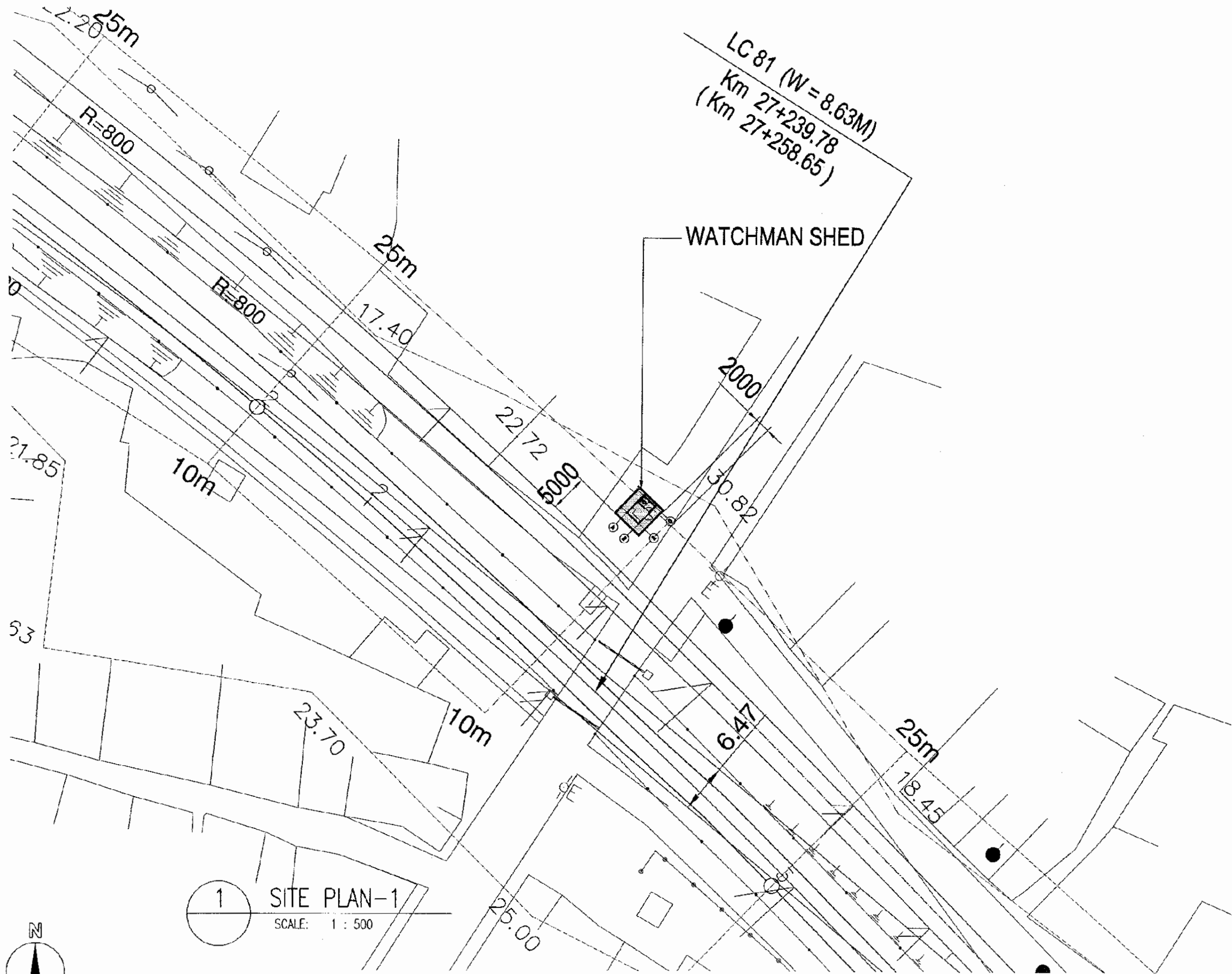
ARCHITECTURE

CIKARANG SIGNAL HUT

DATE 10/MARCH/2003

Drawing Title :
FINISH, DOOR & WINDOW
SCHEDULE & SECTION DETAIL

Scale: NTS, 1:20
1:100 Drawing No.: AA-18-003



1 SITE PLAN-1
SCALE: 1 : 500

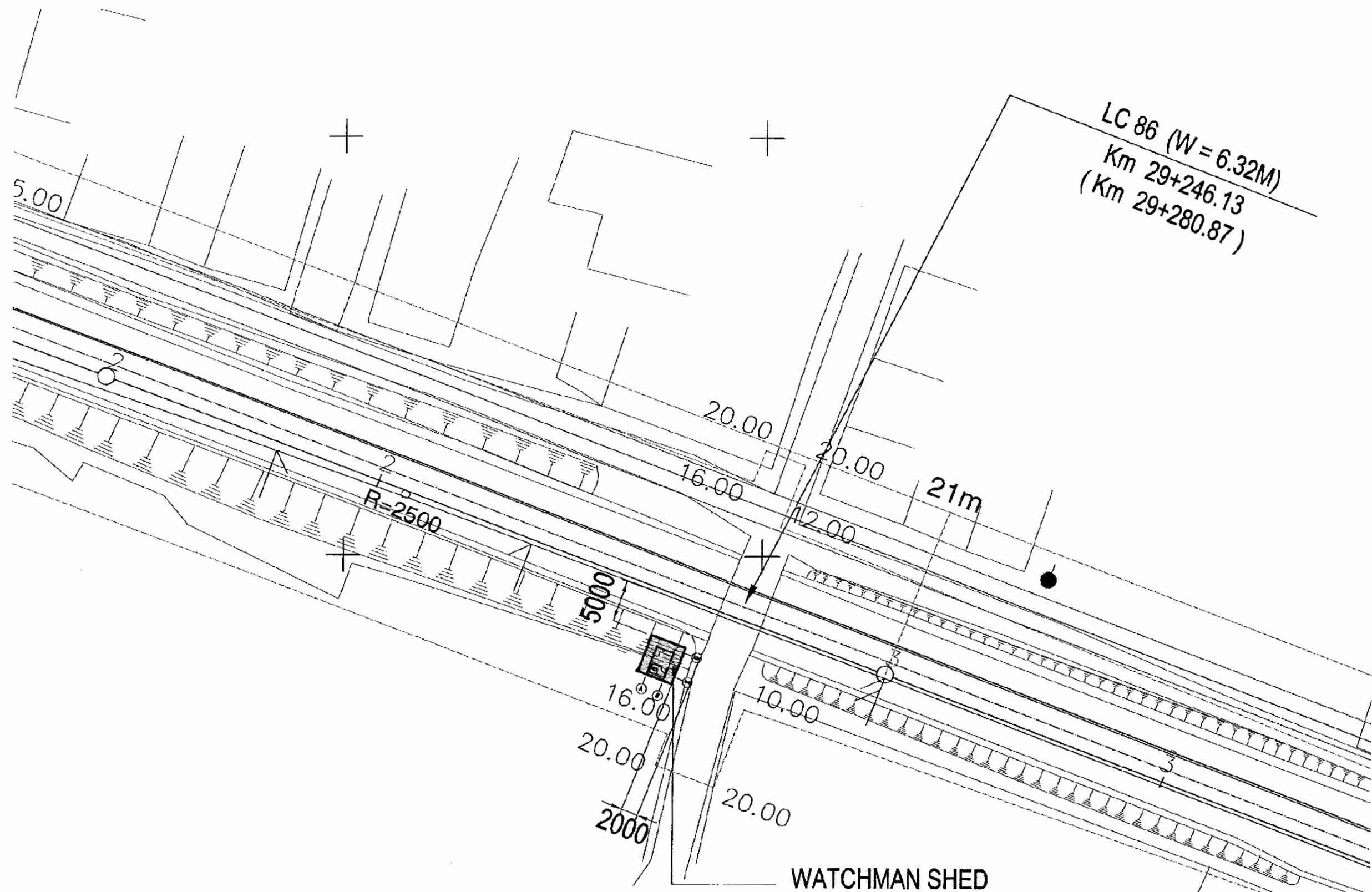
The Railway Electrification and Double - double Tracking of Java Main Line Project



Note:
This detailed design has been executed by a team of consultants as shown below in accordance with the agreement between Japan International Cooperation Agency (JICA) and JICA Study Team.
The copyright of this drawing rests with JICA.

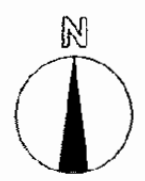
Designed by:
Japan International Cooperation Agency (JICA)
JICA Study Team:
Joint Venture of Pacific Consultants International and Japan Railway Technical Service

ARCHITECTURE	
WATCHMAN SHED	
DATE	10/MARCH/2003
Drawing Title :	
SITE PLAN -1	
Scale: 1:500	Drawing No.:
	AA-19-001



WATCHMAN SHED

1 SITE PLAN-2
SCALE: 1 : 500



The Railway Electrification and Double - double Tracking of Java Main Line Project



Note:
This detailed design has been executed by a team of consultants as shown below in accordance with the agreement between Japan International Cooperation Agency (JICA) and JICA Study Team.
The copyright of this drawing rests with JICA.

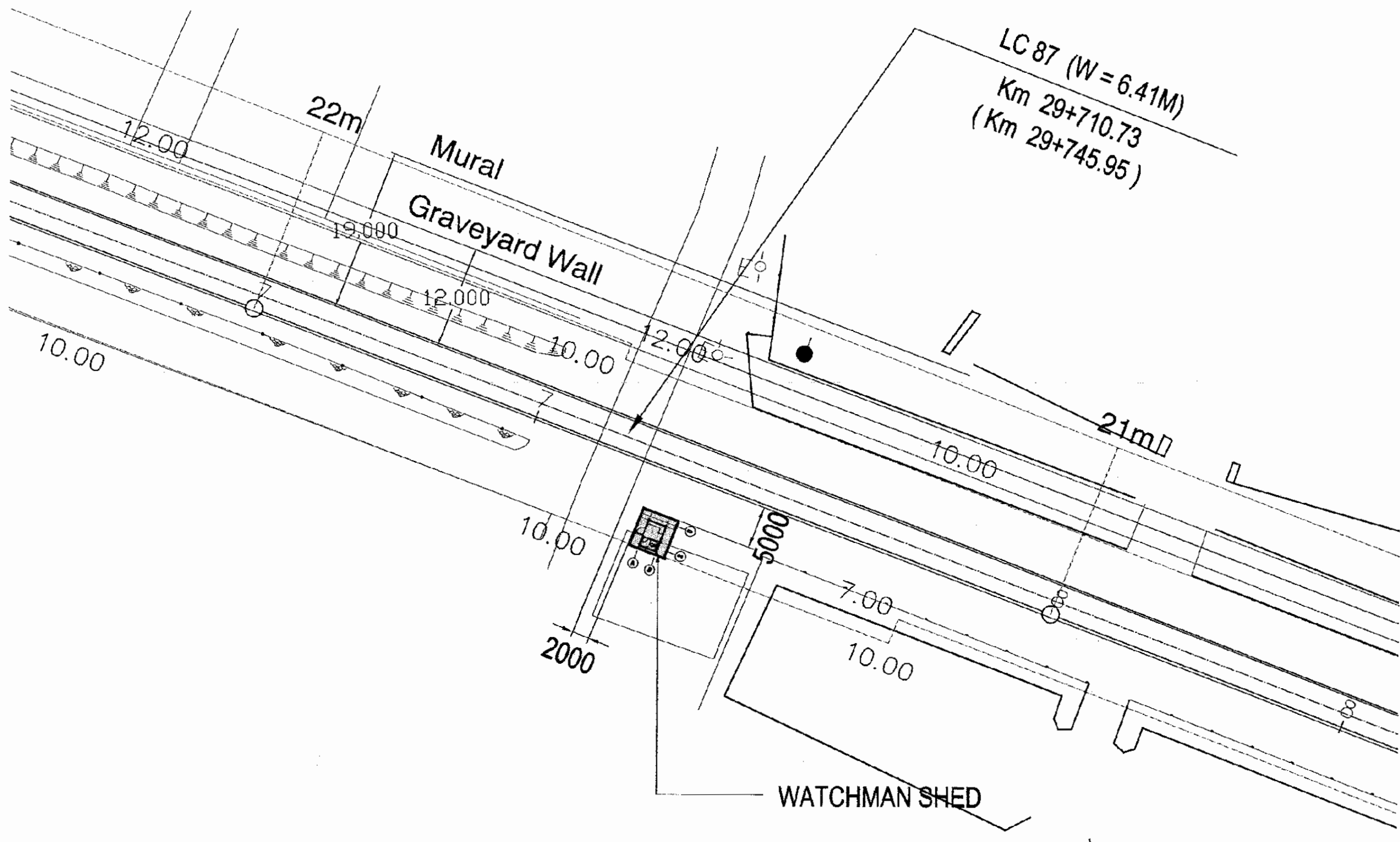
Designed by:
Japan International Cooperation Agency (JICA)
JICA Study Team:
Joint Venture of Pacific Consultants International and Japan Railway Technical Service

ARCHITECTURE
WATCHMAN SHED

DATE 10/MARCH/2003

Drawing Title :
SITE PLAN -2

Scale: 1:500 Drawing No.: AA-19-037



1 SITE PLAN-3
SCALE: 1 : 500

The Railway Electrification and Double - double Tracking of Java Main Line Project



Note:
This detailed design has been executed by a team of consultants as shown below in accordance with the agreement between Japan International Cooperation Agency (JICA) and JICA Study Team.
The copyright of this drawing rests with JICA.

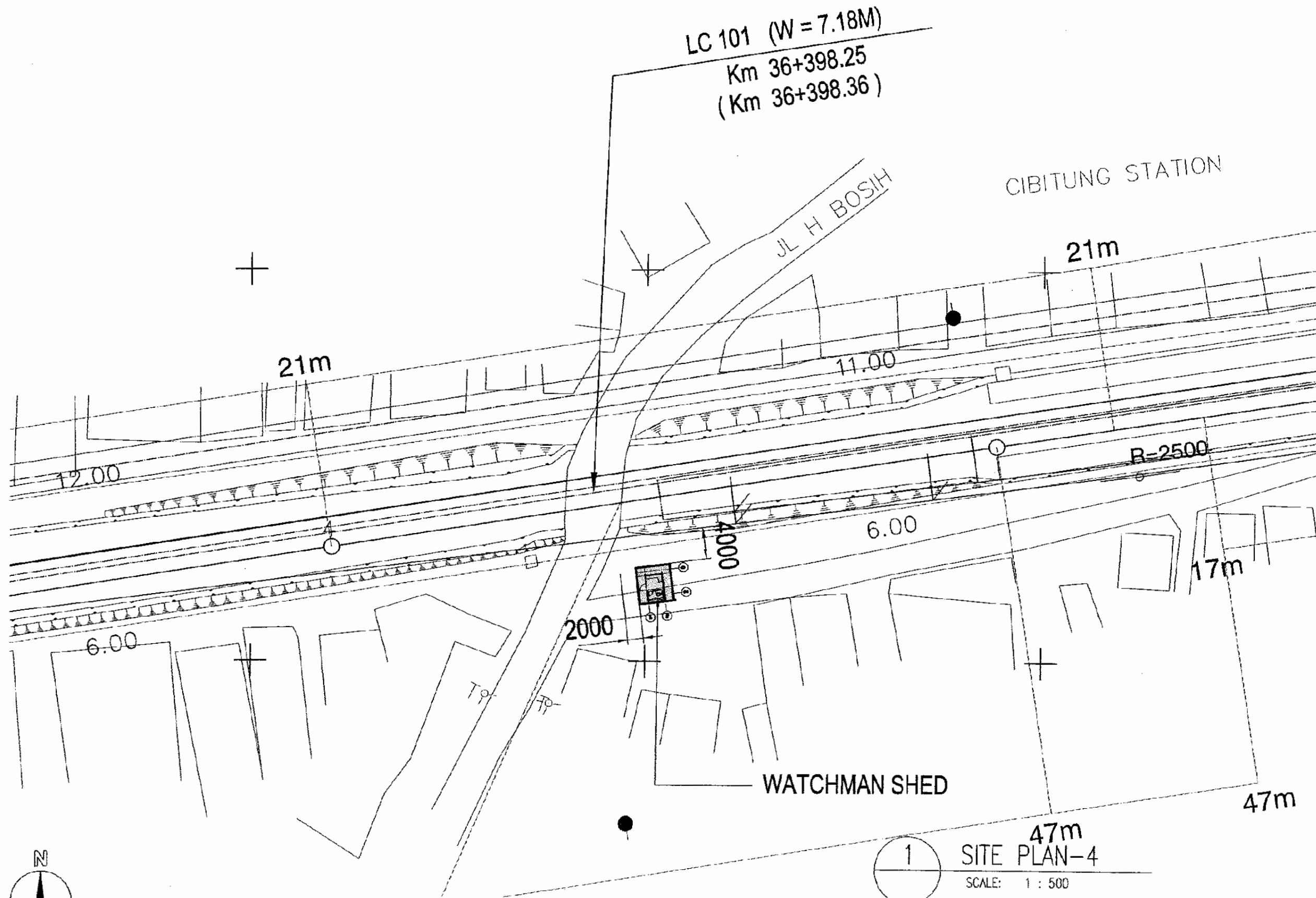
Designed by:
Japan International Cooperation Agency (JICA)
JICA Study Team:
Joint Venture of Pacific Consultants International and Japan Railway Technical Service

ARCHITECTURE
WATCHMAN SHED

DATE 10/MARCH/2003

Drawing Title :
SITE PLAN -3

Scale: 1:500 Drawing No.: AA-19-003



LC 101 (W = 7.18M)
 Km 36+398.25
 (Km 36+398.36)

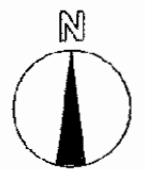
CIBITUNG STATION

JL H BOSIH

WATCHMAN SHED

R-2500

1 SITE PLAN-4
 SCALE: 1 : 500



The Railway Electrification and
 Double - double Tracking of
 Java Main Line Project



Note:
 This detailed design has been executed by a team
 of consultants as shown below in accordance with
 the agreement between Japan International
 Cooperation Agency (JICA) and JICA Study Team.
 The copyright of this drawing rests with JICA.

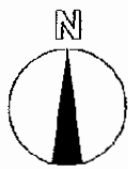
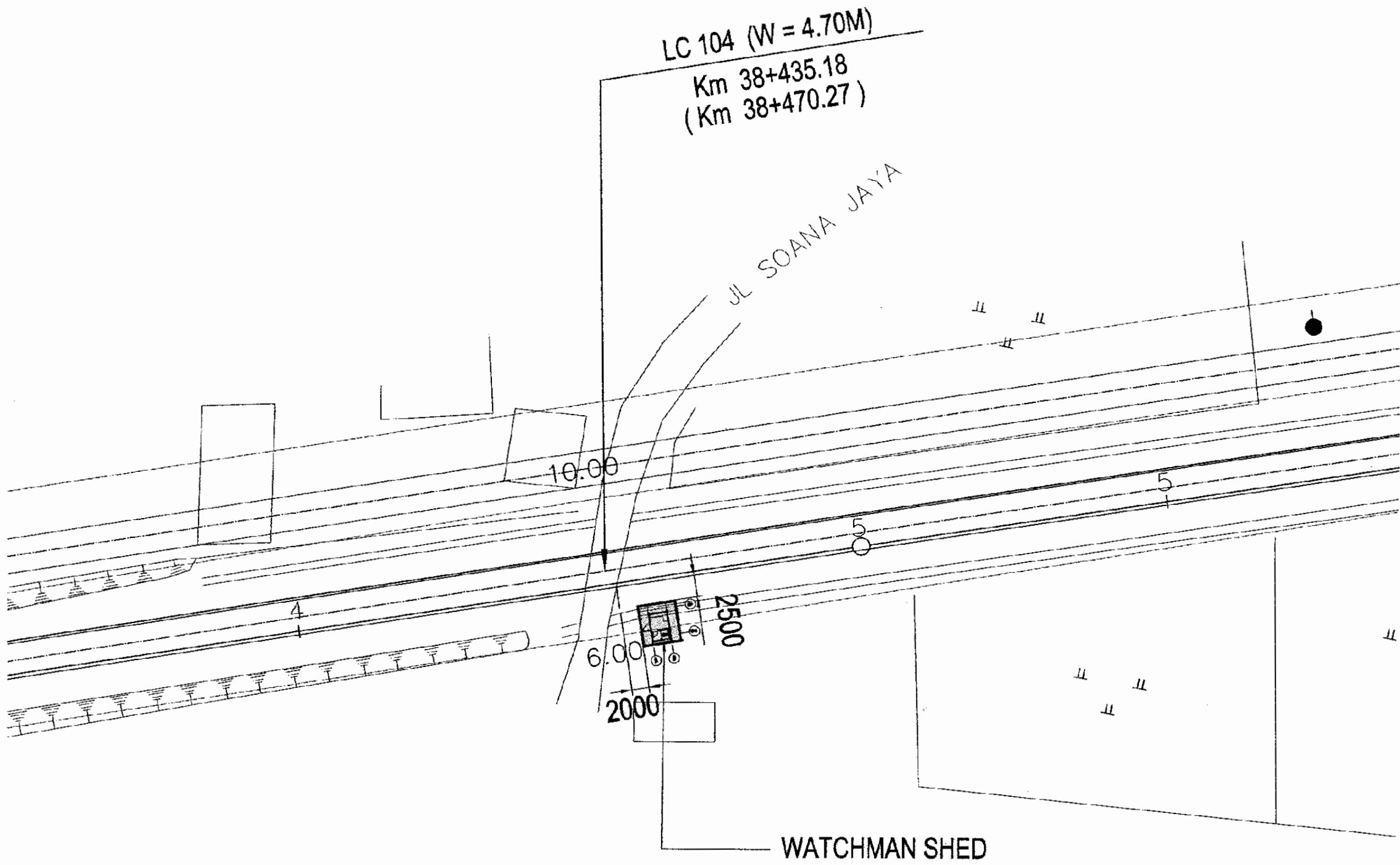
Designed by:
 Japan International Cooperation
 Agency (JICA)
 JICA Study Team:
 Joint Venture of
 Pacific Consultants International and
 Japan Railway Technical Service

ARCHITECTURE
 WATCHMAN SHED

DATE 10/MARCH/2003

Drawing Title :
 SITE PLAN -4

Scale: 1:500 Drawing No.: AA-19-004



1 SITE PLAN-4
SCALE: 1 : 500

The Railway Electrification and Double - double Tracking of Java Main Line Project



Note:
This detailed design has been executed by a team of consultants as shown below in accordance with the agreement between Japan International Cooperation Agency (JICA) and JICA Study Team.
The copyright of this drawing rests with JICA.

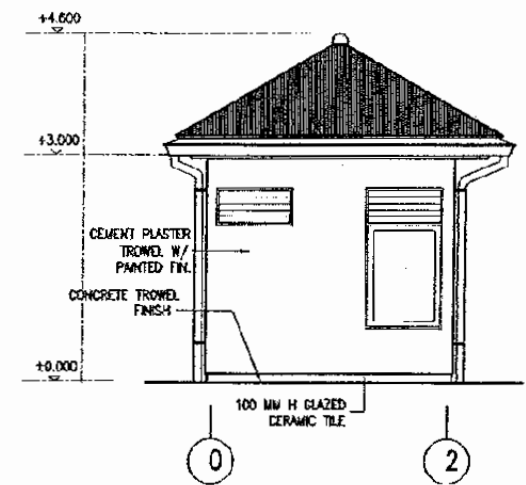
Designed by:
Japan International Cooperation Agency (JICA)
JICA Study Team:
Joint Venture of Pacific Consultants International and Japan Railway Technical Service

ARCHITECTURE
WATCHMAN SHED

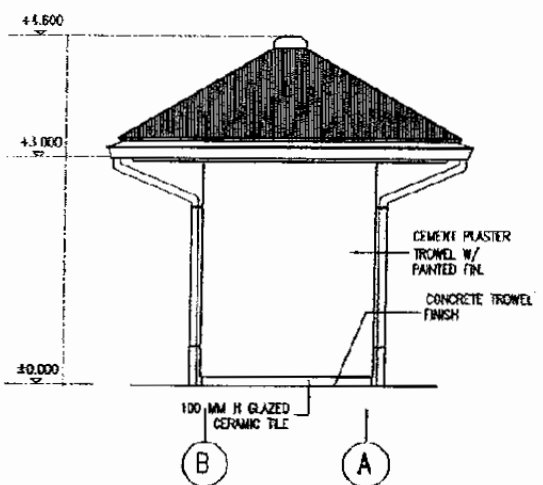
DATE 10/MARCH/2003

Drawing Title :
SITE PLAN -5

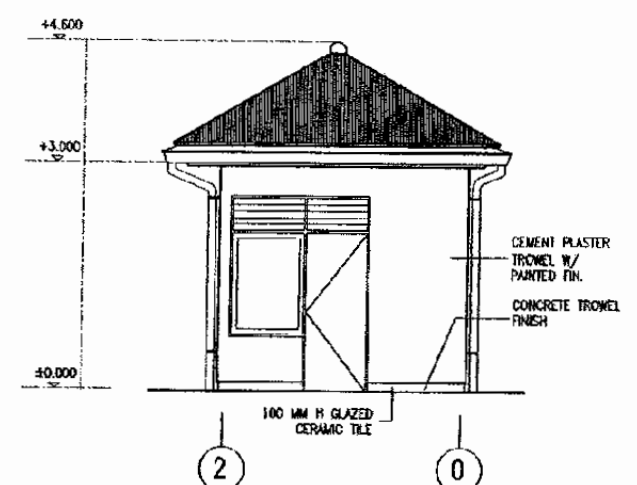
Scale: 1:500 Drawing No.: AA-12-005



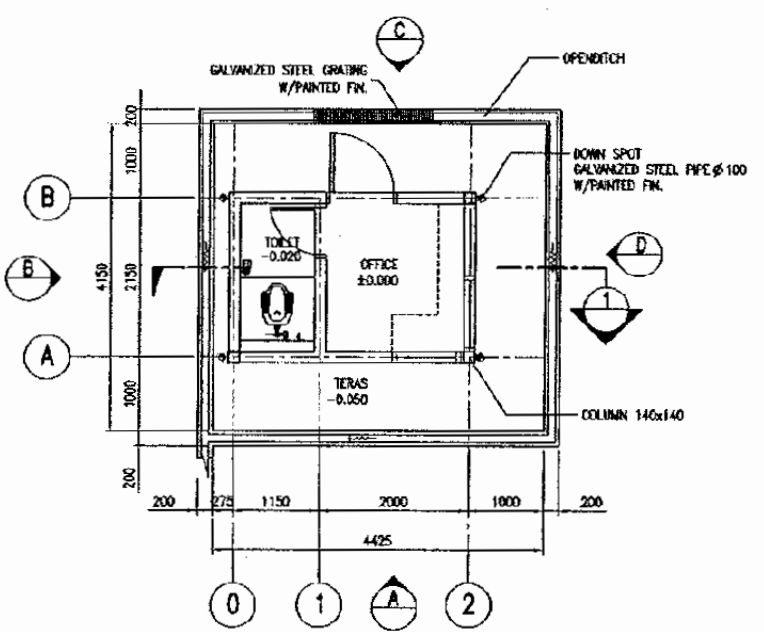
3 ELEVATION A
SCALE: 1 : 100



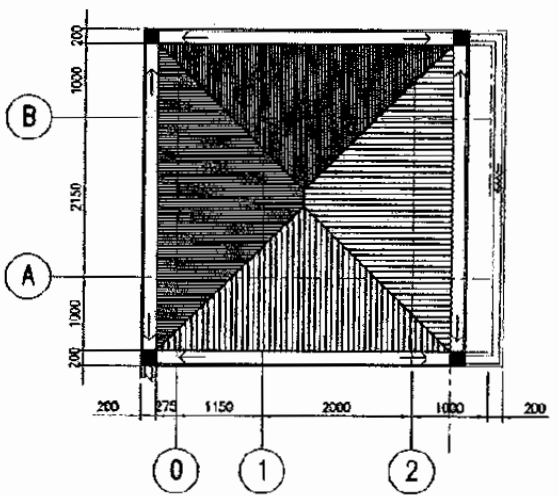
4 ELEVATION B
SCALE: 1 : 100



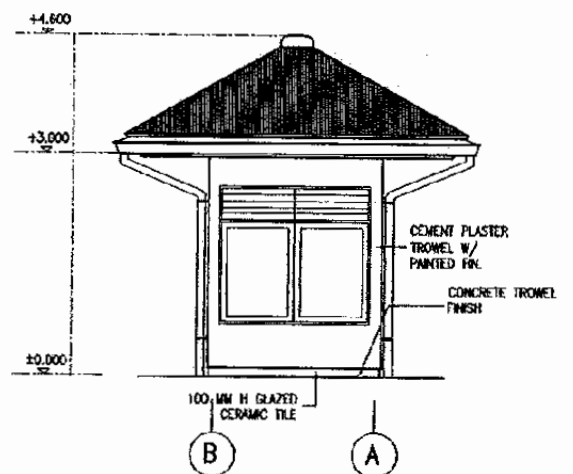
5 ELEVATION C
SCALE: 1 : 100



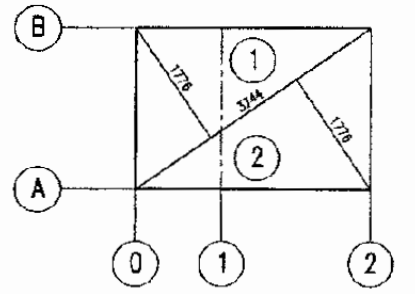
2 FLOOR PLAN
SCALE: 1 : 100



6 ROOF PLAN
SCALE: 1 : 100

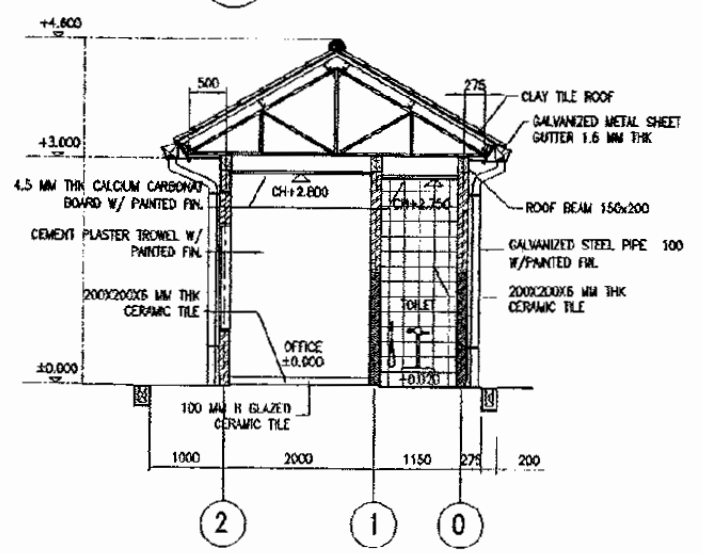


7 ELEVATION D
SCALE: 1 : 100



1 AREA TABLE
SCALE: 1 : 100

NO	CALCULATIONS	SUB TOTAL (SQM)
1	0.5 X 2.15 X 3.15	3.39
2	0.5 X 2.15 X 3.15	3.39
TOTAL		6.78



8 SECTION 1
SCALE: 1 : 100

The Railway Electrification and Double - double Tracking of Java Main Line Project



Note:
This detailed design has been executed by a team of consultants as shown below in accordance with the agreement between Japan International Cooperation Agency (JICA) and JICA Study Team.
The copyright of this drawing rests with JICA.

Designed by:
Japan International Cooperation Agency (JICA)
JICA Study Team:
Joint Venture of Pacific Consultants International and Japan Railway Technical Service

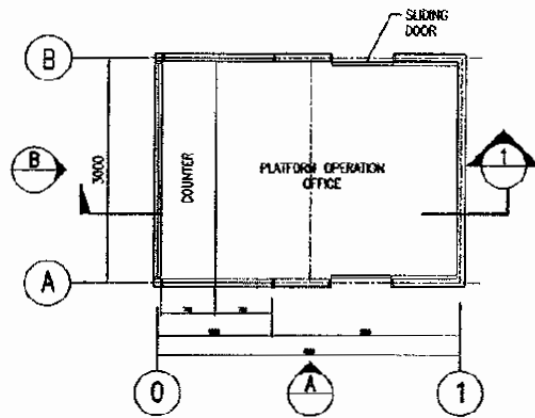
ARCHITECTURE

WATCHMAN SHED

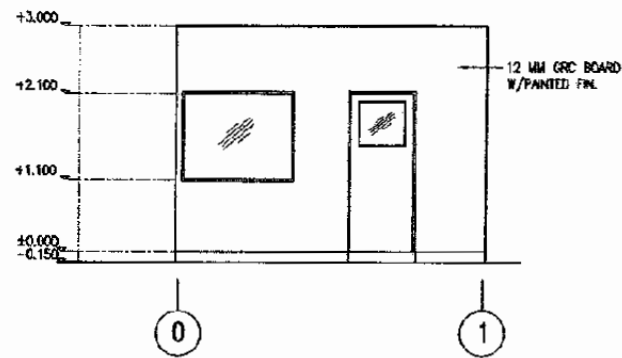
DATE 10/MARCH/2003

Drawing Title :
AREA TABLE, FLOOR PLAN, ROOF PLAN, ELEV. & SECTION

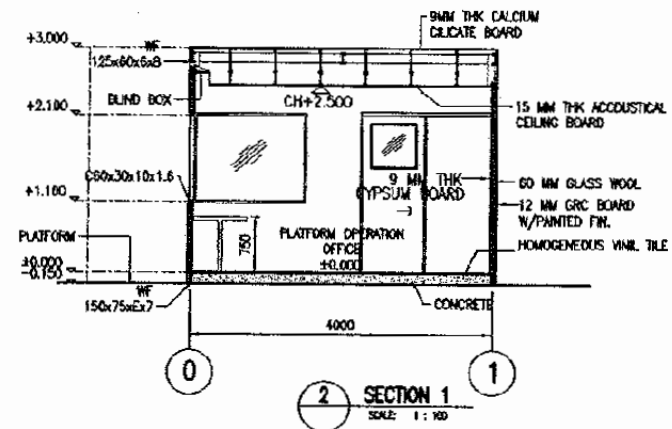
Scale: 1 : 100 Drawing No: AA-19 006



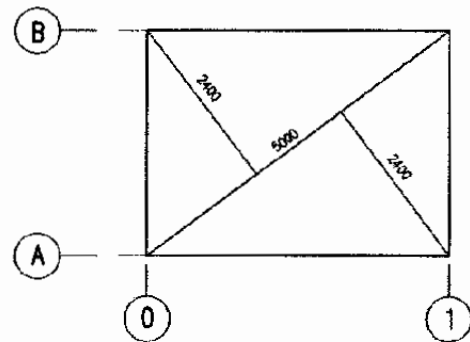
1 FLOOR PLAN
SCALE: 1:100



3 ELEVATION A
SCALE: 1:100

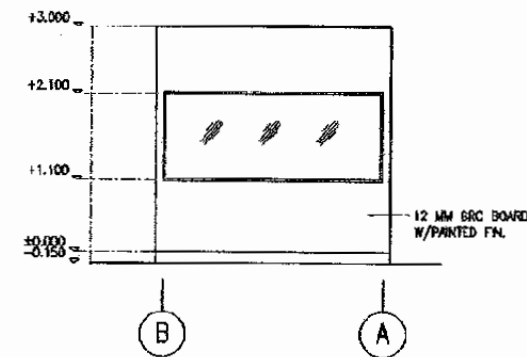


2 SECTION 1
SCALE: 1:100



1 AREA TABLE
SCALE: 1:100

NO	CALCULATIONS	SUB TOTAL (SQM)
1	0.5 X 3 X 4	6
2	0.5 X 3 X 4	6
	TOTAL	12



4 ELEVATION B
SCALE: 1:100

The Railway Electrification and
Double - double Tracking of
Java Main Line Project



Note:
This detailed design has been executed by a team of consultants as shown below in accordance with the agreement between Japan International Cooperation Agency (JICA) and JICA Study Team.
The copyright of this drawing rests with JICA.

Designed by:
Japan International Cooperation Agency (JICA)
JICA Study Team:
Joint Venture of
Pacific Consultants International and
Japan Railway Technical Service

ARCHITECTURE

PLATFORM OPR.ROOM

DATE 10/MARCH/2003

Drawing Title :
AREA TABLE, FLOOR PLAN
ELEVATION & SECTION

Scale: 1:100 Drawing No.: AA-20-001