

THIS DRAWING CONTAINS CONFIDENTIAL PROPRIETARY INFORMATION OF MWH INDIA PVT. LTD. AND IS NOT TO BE DISCLOSED TO THE PUBLIC OR TO COMPETITORS UNLESS OTHERWISE AUTHORIZED IN WRITING BY MWH INDIA PVT. LTD.

- NOTES:
- 1) PERMANENT BENCH MARK TAKEN ON RAILWAY BRIDGE NEAR CHOUKA GHAT JUNCTION 79.705 M.
  - 2) ALL THE LEVELS ARE IN METERS.

REFERENCE DRAWING:  
 FOR LAYOUT DRAWING REFER BASE MAP WITH WARD BOUNDARIES PROPOSED SEWERAGE FACILITIES DRAWING NO. MWH/160/2003  
 FOR PLAN SHOWING LOCATIONS OF NALLA I&D ARRANGEMENT ON VARUNA RIVER BANKS DRAWING NO. MWH/160/4007  
 FOR CROSS-SECTIONS VIEWS OF SEWER NETWORK AT JUNCTIONS OF PROPOSED INTERCEPTORS OF NALLAS, DRAWING NO. MWH/160/4009

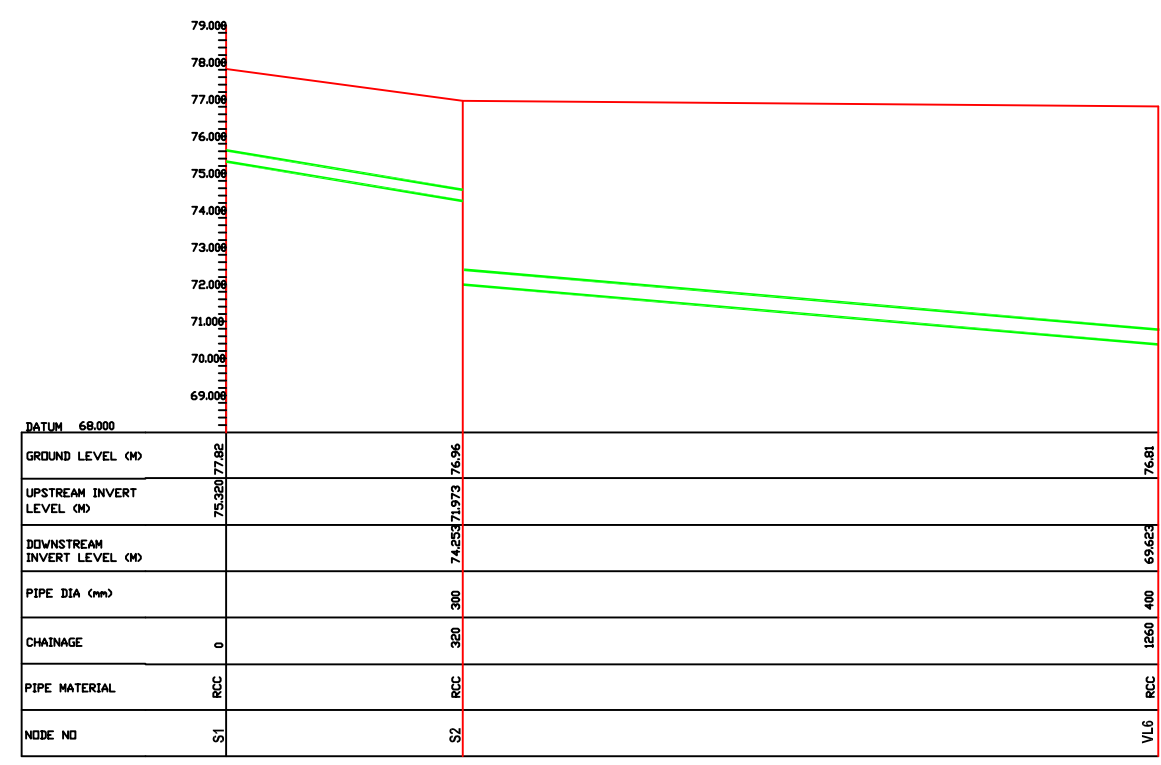
INST.					
ELEC.					
MECH.					
STRU.					
CIVIL					
REV. NO.	0	1	2	3	4
REV.	DESCRIPTION OF REVISIONS	DATE	CHECKED		

CLIENT:  
 JAPAN INTERNATIONAL COOPERATION AGENCY  
 TOKYO ENGINEERING CONSULTANTS CO., LTD.  
 CTI ENGINEERING INTERNATIONAL CO., LTD.

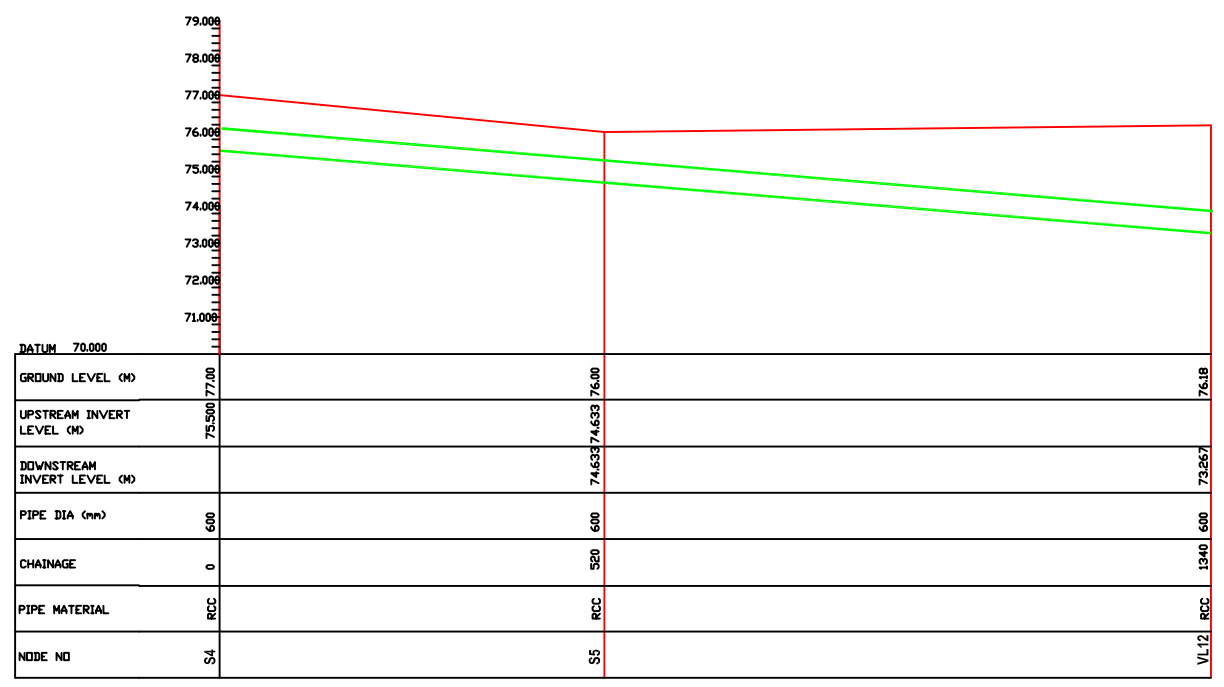
JOB:  
 CONSULTANCY SERVICES FOR FEASIBILITY STUDY OF PRIORITY PROJECTS UNDER POLLUTION ABATEMENT OF RIVER GANGA IN VARANASI

DRAWING TITLE:  
 L SECTION OF SECONDARY SEWER ALIGNMENTS FOR VARUNA RIVER INTERCEPTORS

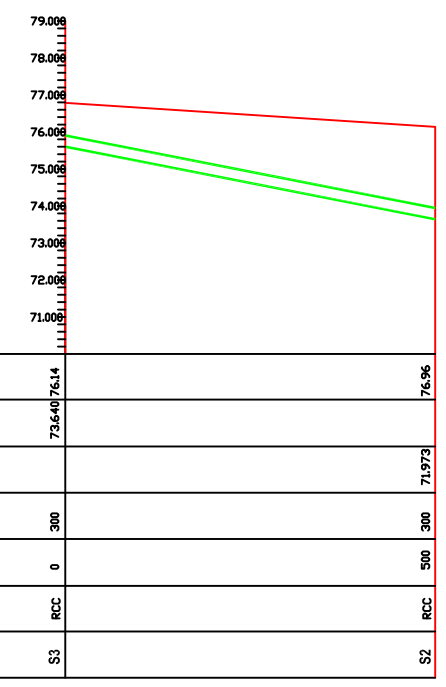
CHECKED BY:		APPROVED BY:	
SAURABH MISRA		V.N.SONTAKKE	
DESIGNED	PARAB	SCALE	H=1:10000 V=1:200
SURVEYED	KSA	DATE	25/06/2004
DRAWING NO.			SHEET
VNS-PP-IC-16			1 OF 3
			Sr.
			27



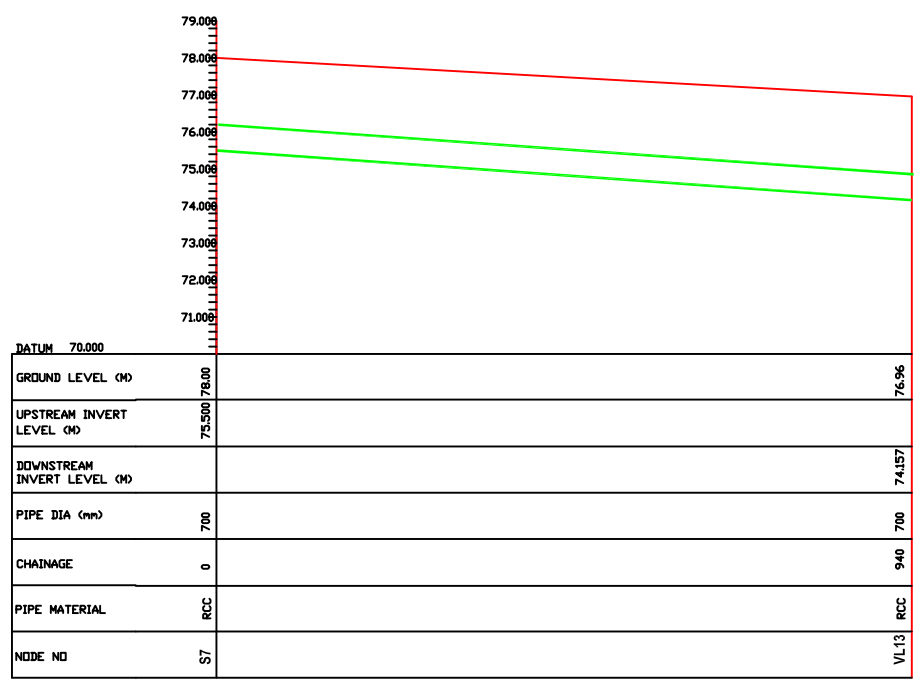
L-SECTION FOR SEWER FROM S1 TO VL6



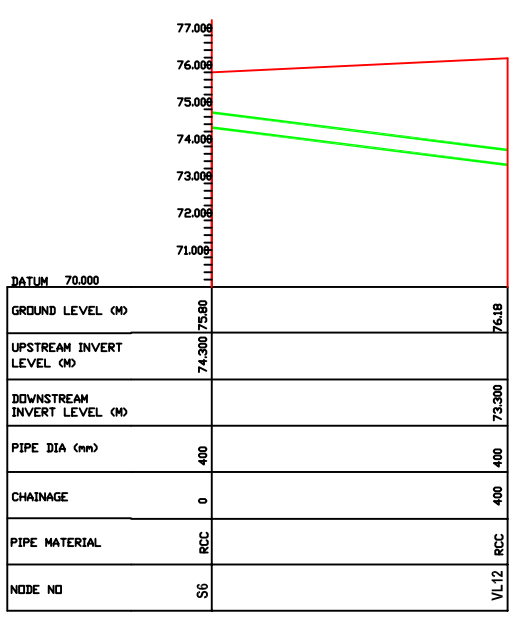
L-SECTION FOR SEWER FROM S4 TO L12



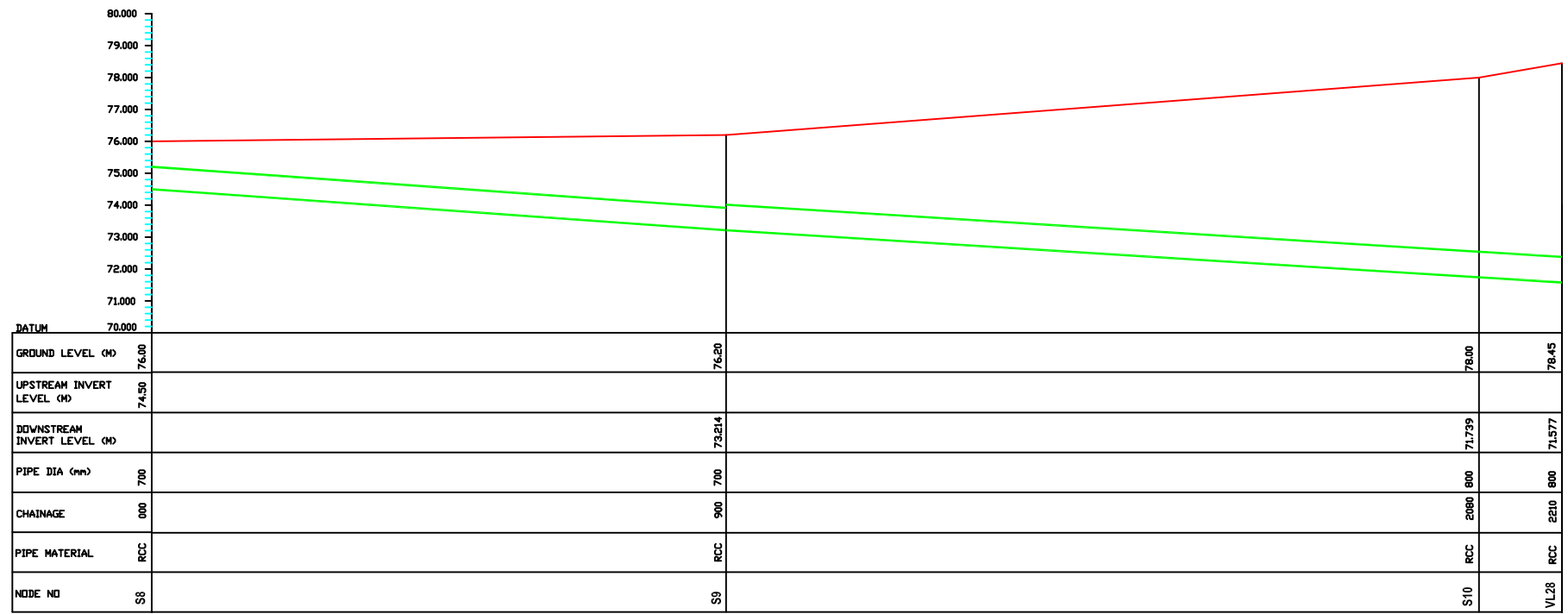
L-SECTION FOR SEWER FROM S3 TO S2



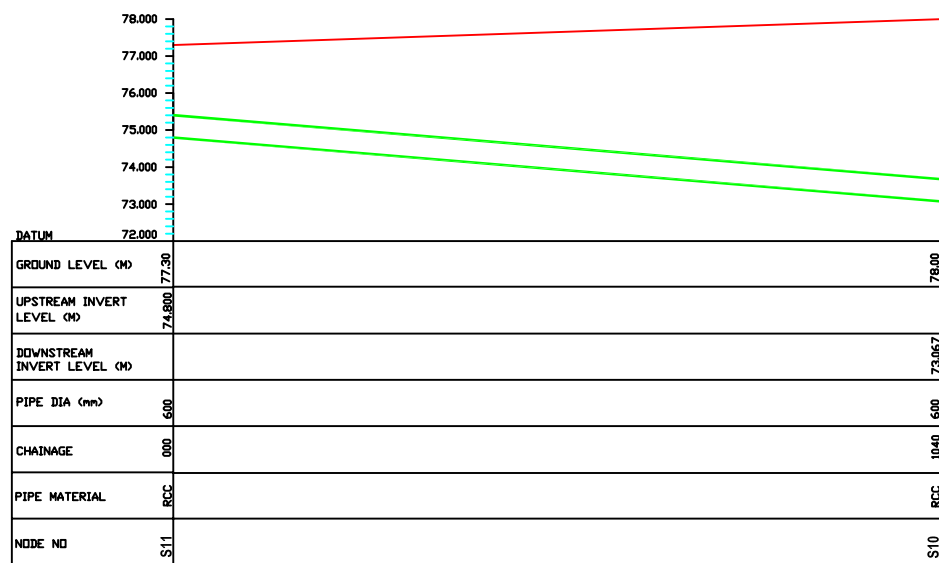
L-SECTION FOR SEWER FROM S7 TO VL13



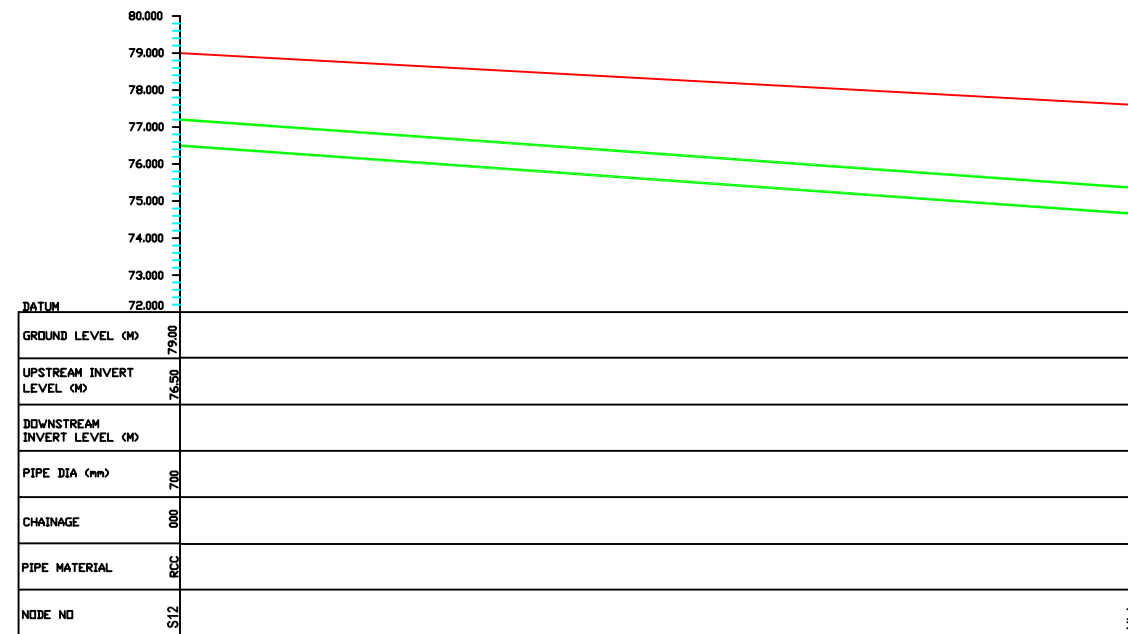
L-SECTION FOR SEWER FROM S6 TO VL12



L\_SECTION FOR SEWER FROM S8 TO VL28



L\_SECTION FOR SEWER FROM S11 TO S10



L\_SECTION FOR SEWER FROM S12 TO VL1

THIS DRAWING CONTAINS CONFIDENTIAL PROPRIETARY INFORMATION OF MWH INDIA PVT. LTD. AND IS NOT TO BE DISCLOSED TO THE PUBLIC OR TO COMPETITORS UNLESS OTHERWISE AUTHORIZED IN WRITING BY MWH INDIA PVT. LTD.

NOTES:

- 1) PERMANENT BENCH MARK TAKEN ON RAILWAY BRIDGE NEAR CHOUKA GHAT JUNCTION 79.705 M.
- 2) ALL THE LEVELS ARE IN METERS.

REFERENCE DRAWING:

FOR LAYOUT DRAWING REFER BASE MAP WITH WARD BOUNDARIES PROPOSED SEWERAGE FACILITIES DRAWING NO. MWH/160/2003

FOR PLAN SHOWING LOCATIONS OF NALLA I&D ARRANGEMENT ON VARUNA RIVER BANKS DRAWING NO. MWH/160/4007

FOR CROSS-SECTIONS VIEWS OF SEWER NETWORK AT JUNCTIONS OF PROPOSED INTERCEPTORS OF NALLAS, DRAWING NO. MWH/160/4009

REV. NO.	0	1	2	3	4
INST.					
ELEC.					
MECH.					
STRU.					
CIVIL					

REV.	DESCRIPTION OF REVISIONS	DATE	CHECKED

CLIENT:  
 JAPAN INTERNATIONAL COOPERATION AGENCY  
 TOKYO ENGINEERING CONSULTANTS CO., LTD.  
 CITI ENGINEERING INTERNATIONAL CO., LTD.

JOB:  
CONSULTANCY SERVICES FOR FEASIBILITY STUDY OF PRIORITY PROJECTS UNDER POLLUTION ABATEMENT OF RIVER GANGA IN VARANASI

DRAWING TITLE:  
L SECTION OF SECONDARY SEWER ALIGNMENTS FOR VARUNA RIVER INTERCEPTORS

CHECKED BY: SAURABH MISRA  
APPROVED BY: V.N.SONTAKKE

DRAWN: GAVKAR G.K.  
DESIGNED: KSA  
SURVEYED: KSA

SCALE: H=1:10000 V=1:200  
DATE: 25/06/2004

DRAWING NO. VNS-PP-IC-17  
SHEET 2 OF 3  
Sr. 28

THIS DRAWING CONTAINS CONFIDENTIAL PROPRIETARY INFORMATION OF MWH INDIA PVT. LTD. AND IS NOT TO BE DISCLOSED TO THE PUBLIC OR TO COMPETITORS UNLESS OTHERWISE AUTHORIZED IN WRITING BY MWH INDIA PVT. LTD.

NOTES:  
 1) PERMANENT BENCH MARK TAKEN ON RAILWAY BRIDGE NEAR CHOUKA GHAT JUNCTION 79.705 M.  
 2) ALL THE LEVELS ARE IN METERS.

REFERENCE DRAWING:  
 FOR LAYOUT DRAWING REFER BASE MAP WITH WARD BOUNDARIES PROPOSED SEWERAGE FACILITIES DRAWING NO. MWH/160/2003  
 FOR PLAN SHOWING LOCATIONS OF NALLA I&D ARRANGEMENT ON VARUNA RIVER BANKS DRAWING NO. MWH/160/4007  
 FOR CROSS-SECTIONS VIEWS OF SEWER NETWORK AT JUNCTIONS OF PROPOSED INTERCEPTORS OF NALLAS, DRAWING NO. MWH/160/4009

INST.					
ELEC.					
MECH.					
STRU.					
CIVIL					
REV. NO.	0	1	2	3	4
REV.	DESCRIPTION OF REVISIONS		DATE	CHECKED	

CLIENT:  
 JAPAN INTERNATIONAL COOPERATION AGENCY  
 TOKYO ENGINEERING CONSULTANTS CO., LTD.  
 CTI ENGINEERING INTERNATIONAL CO., LTD.

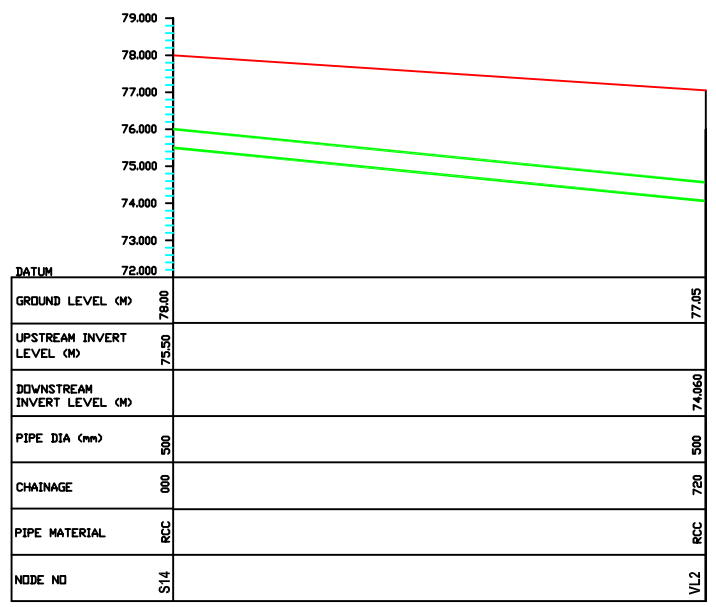
JOB:  
 CONSULTANCY SERVICES FOR FEASIBILITY STUDY OF PRIORITY PROJECTS UNDER POLLUTION ABATEMENT OF RIVER GANGA IN VARANASI

DRAWING TITLE:  
 L SECTION OF SECONDARY SEWER ALIGNMENTS FOR VARUNA RIVER INTERCEPTORS

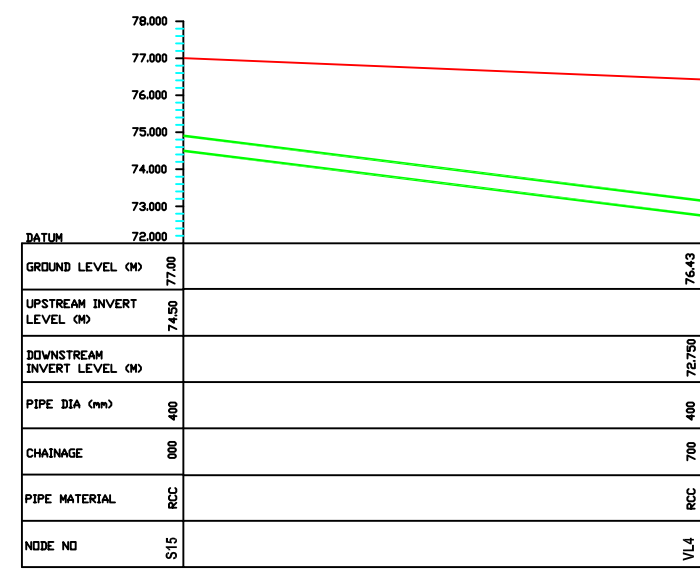
CHECKED BY:		APPROVED BY:	
SAURABH MISRA		V.N.SONTAKKE	
DRAWN	GAVKAR G.K.	SCALE	H=1:10000 V=1:200
DESIGNED		DATE	25/06/2004
SURVEYED	KSA		
DRAWING NO.			SHEET
VNS-PP-IC-18			3 OF 3
			Sr.
			29



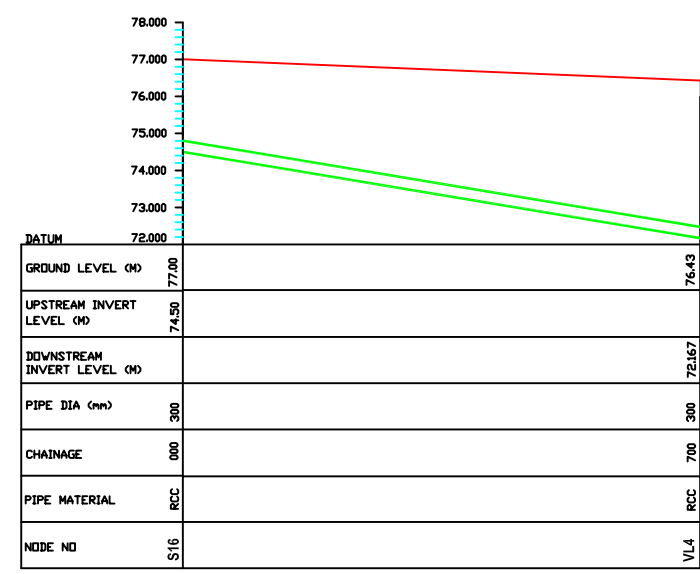
L\_SECTION FOR SEWER FROM S13 TO VL1



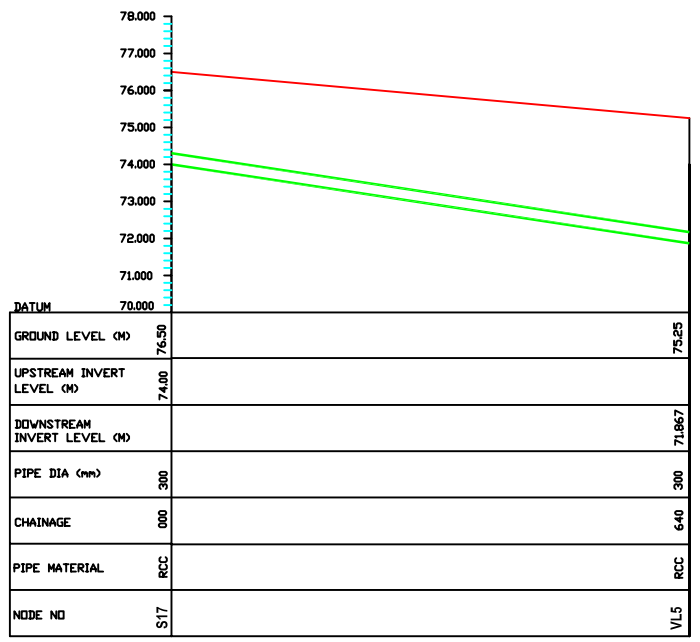
L\_SECTION FOR SEWER FROM S14 TO VL2



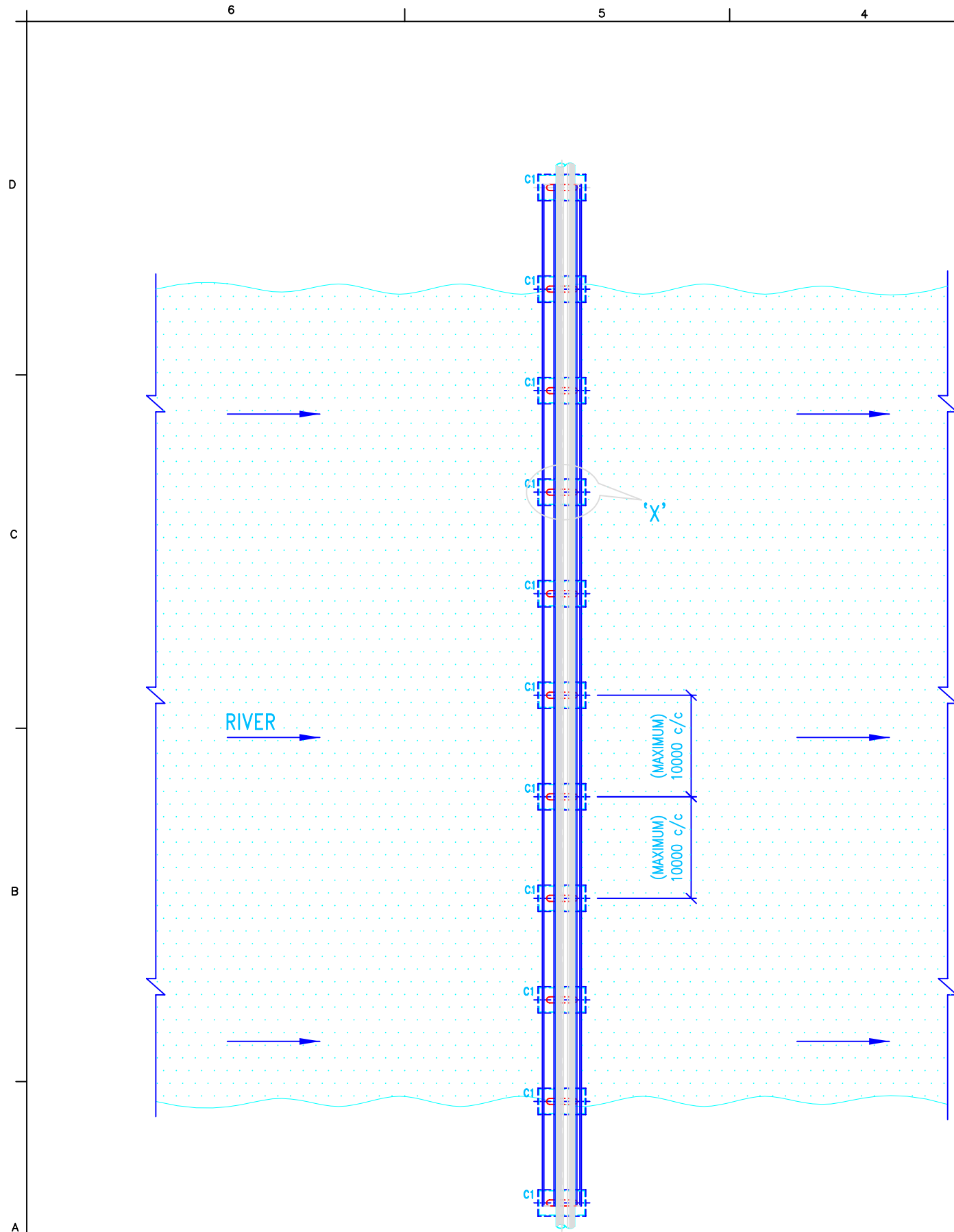
L\_SECTION FOR SEWER FROM S15 TO VL4



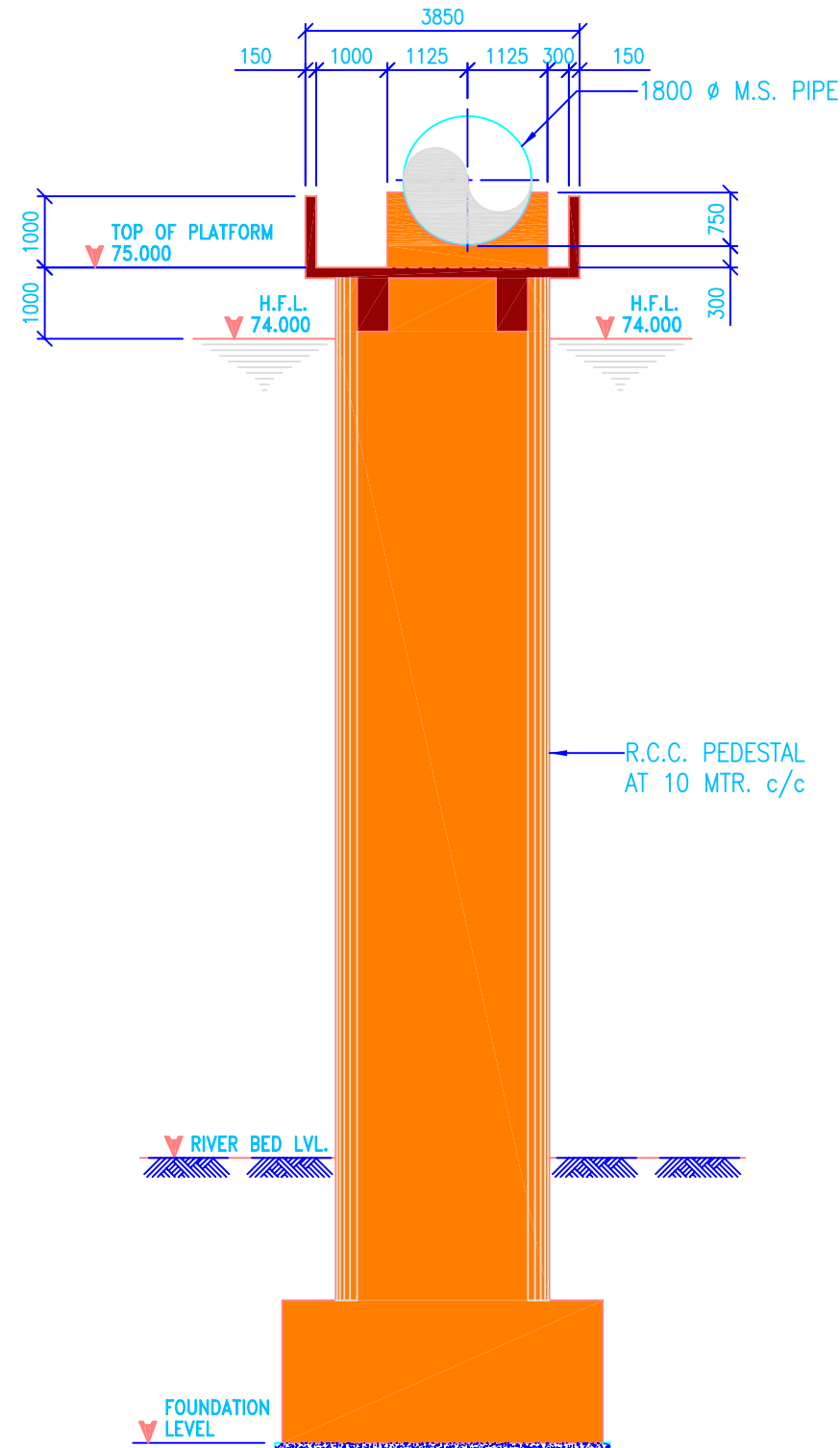
L\_SECTION FOR SEWER FROM S16 TO VL4



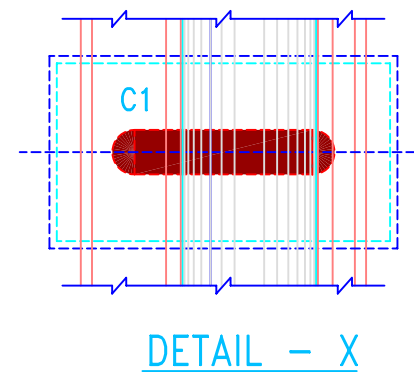
L\_SECTION FOR SEWER FROM S17 TO VL5



PLAN SHOWING TENTATIVE LOCATION OF PEDESTAL  
CARRYING 1800 Ø M. S. PIPE CROSSING RIVER



SECTIONAL ELEVATION OF PEDESTAL C1



DETAIL - X

**MWH INDIA PRIVATE LIMITED**  
133, UDYOG BHAVAN, SONAWALA ROAD  
GOREGAON (EAST), MUMBAI - 400 063  
INDIA  
PHONE : (91) 22 28717 165  
FAX : (91) 22 28717 133  
E-MAIL : mwhindia@vsnl.com

THIS DRAWING CONTAINS CONFIDENTIAL PROPRIETARY  
INFORMATION OF MWH INDIA PVT. LTD. AND IS  
NOT TO BE DISCLOSED TO THE PUBLIC OR  
TO COMPETITORS UNLESS OTHERWISE  
AUTHORISED IN WRITING BY  
**MWH INDIA PVT. LTD.**



NOTES:

INST.					
ELEC.					
MECH.					
STRU.					
CIVIL					
REV NO.	0	1	2	3	4

REV.	DESCRIPTION OF REVISIONS	DATE	CHECK
0			

CLIENT:  
**JICA** JAPAN INTERNATIONAL COOPERATION AGENCY  
**TEC** TOKYO ENGINEERING CONSULTANTS CO., LTD.  
**CI** CITI ENGINEERING INTERNATIONAL CO., LTD.

JOB:  
CONSULTANCY SERVICES FOR FEASIBILITY STUDY OF  
PRIORITY PROJECTS UNDER POLLUTION ABATEMENT  
OF RIVER GANGA IN VARANASI

DRAWING TITLE:  
G. A. OF BRIDGE CARRYING 1800 Ø M. S. PIPE  
CROSSING OVER RIVER VARUNA

CHECKED BY: SAURABH MISRA		APPROVED BY: V.N.SONTAKKE	
DRAWN	DEEPAK	SCALE	1:100
DESIGNED	PARESH	DATE	27/04/2004
SURVEYED	K.S.A.		
DRAWING NO.	VNS-PP-PI	Sr.	30

THIS DRAWING CONTAINS CONFIDENTIAL PROPRIETARY INFORMATION OF MWH INDIA PVT. LTD. AND IS NOT TO BE DISCLOSED TO THE PUBLIC OR TO COMPETITORS UNLESS OTHERWISE AUTHORIZED IN WRITING BY MWH INDIA PVT. LTD.

NOTES:

INST.					
ELEC.					
MECH.					
STRU.					
CIVIL					
REV NO.	0	1	2	3	4

REV.	DESCRIPTION OF REVISIONS	DATE	CHECKED
------	--------------------------	------	---------

CLIENT:  
 JAPAN INTERNATIONAL COOPERATION AGENCY  
 TOKYO ENGINEERING CONSULTANTS CO., LTD.  
 CEI ENGINEERING INTERNATIONAL CO., LTD.

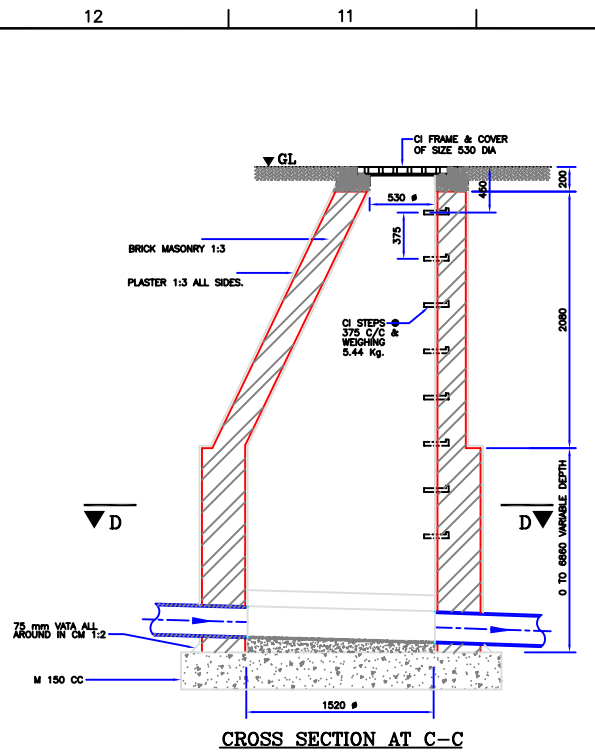
JOB:  
 CONSULTANCY SERVICES FOR FEASIBILITY STUDY OF PRIORITY PROJECTS UNDER POLLUTION ABATEMENT OF RIVER GANGA IN VARANASI

DRAWING TITLE:  
 TYPICAL MANHOLE AND VENT SHAFT DETAILS

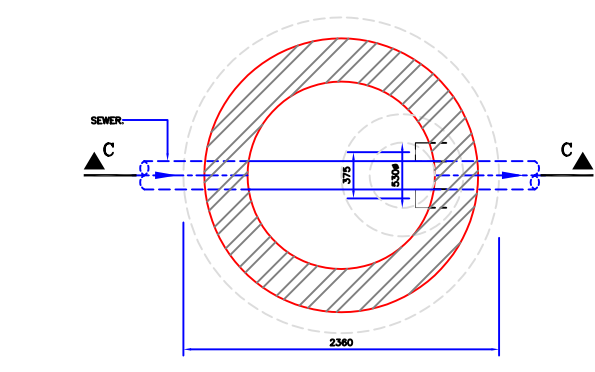
CHECKED BY: SAURABH MISRA  
 APPROVED BY: V.N. SONTAKKE

DRAWN: D.S. KURDEKAR  
 DESIGNED: P.N. FABREKAR  
 SURVEYED: KSA  
 SCALE: 1:30  
 DATE: 27/04/2004

DRAWING NO. VNS-TYP-1  
 Sr. 31

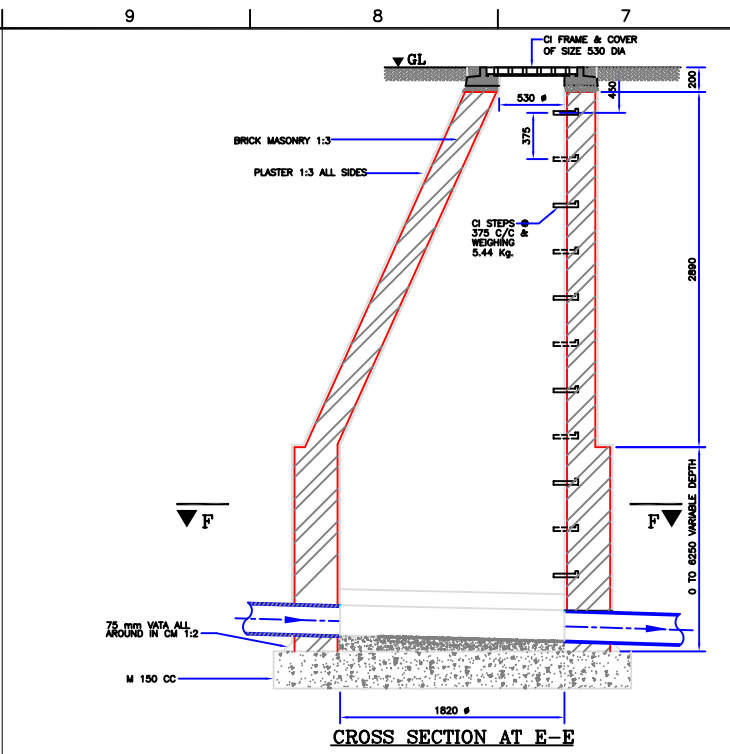


CROSS SECTION AT C-C

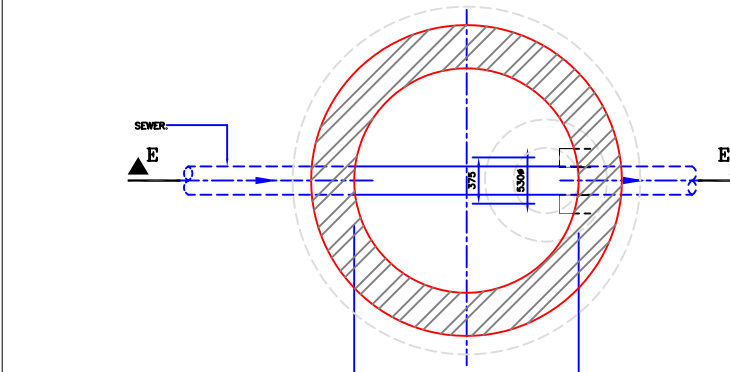


PLAN AT D-D

**TYPE B CONICAL MANHOLE**  
 FOR 300 TO 900 mm DIA SEWER  
 FOR DEPTH FROM 2.28 TO 9.14m

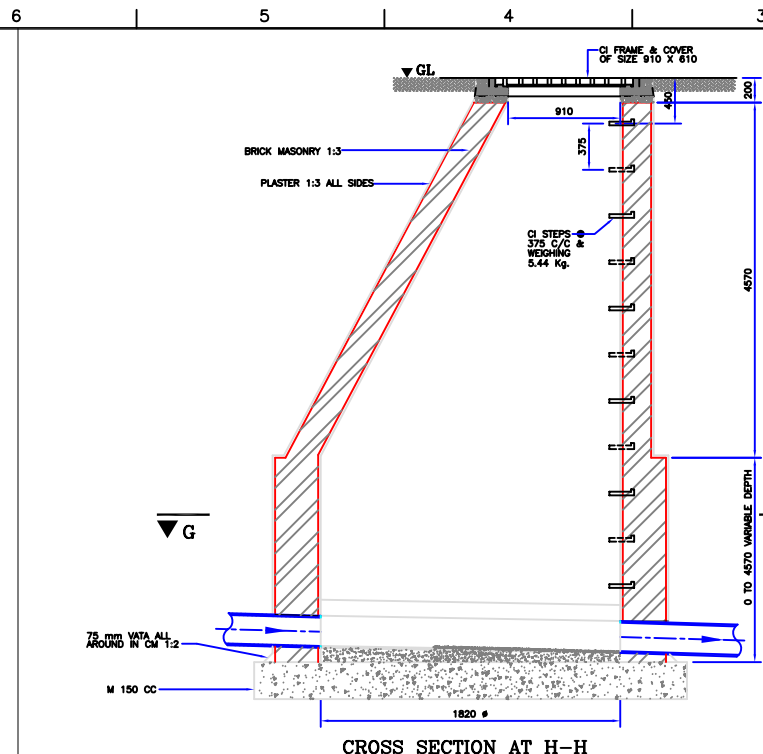


CROSS SECTION AT E-E

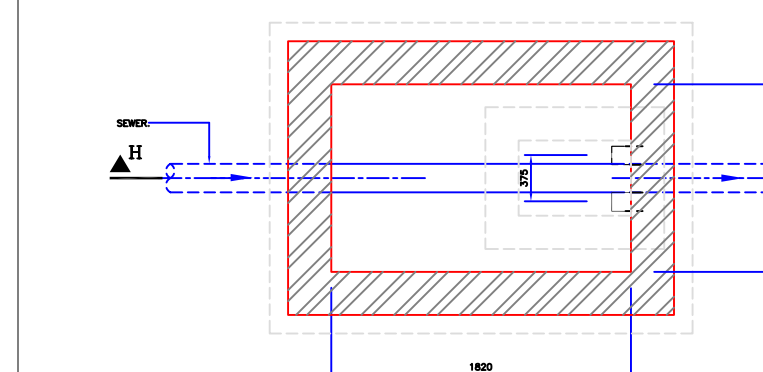


PLAN AT F-F

**TYPE C CONICAL MANHOLE**  
 FOR 1000 TO 1300 mm DIA SEWER  
 FOR DEPTH FROM 2.89 TO 9.14m

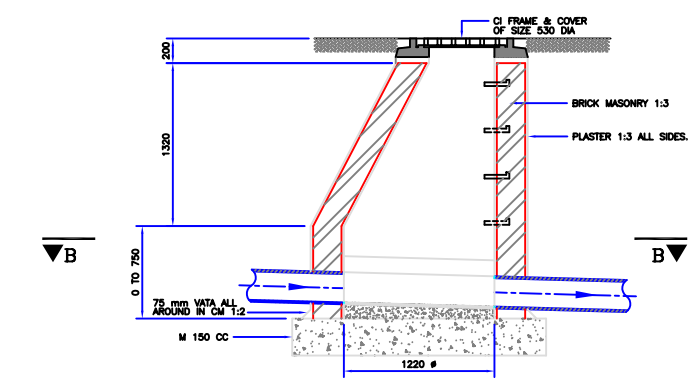


CROSS SECTION AT H-H

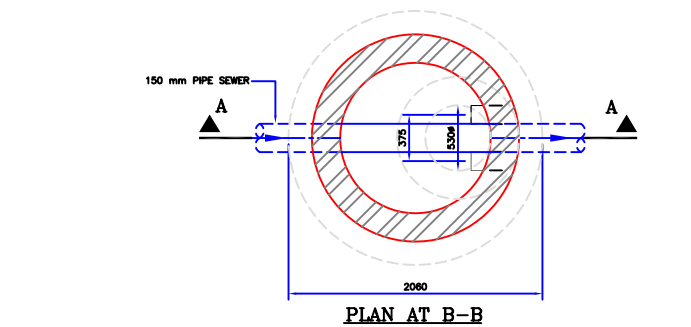


PLAN AT G-G

**TYPE D RECTANGULAR MANHOLE**  
 FOR 1400 TO 1800 mm DIA SEWER  
 FOR DEPTH FROM 4.57 TO 9.14m

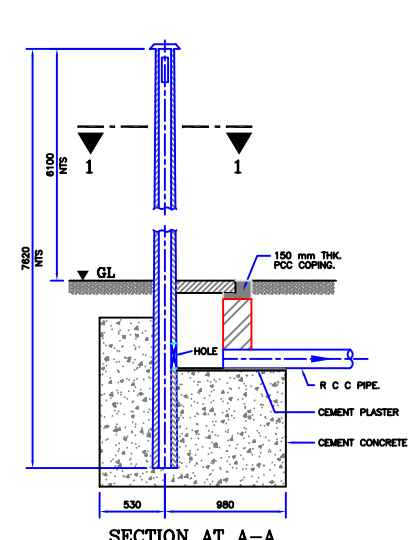


CROSS SECTION AT A-A

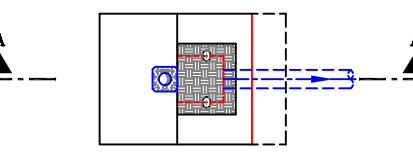


PLAN AT B-B

**TYPE A CONICAL MANHOLE**  
 FOR 300 TO 500mm DIA SEWER  
 FOR DEPTH FROM 1.52 TO 2.28m

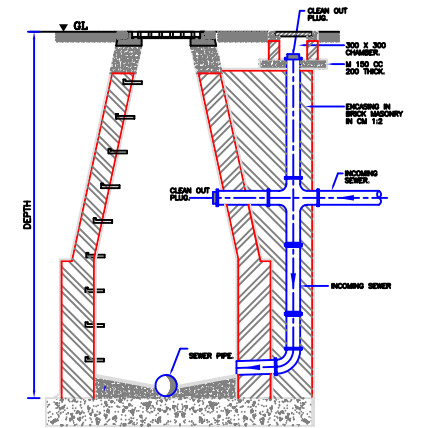


SECTION AT A-A

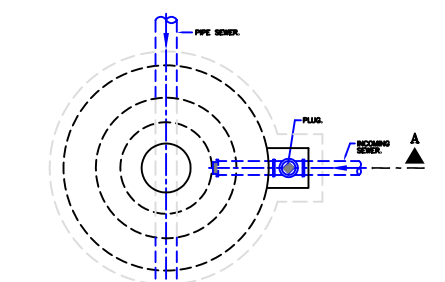


PLAN

**TYPE DESIGN OF RCC VENT SHAFT.**



SECTION AT A-A



PLAN

**TYPE DESIGN OF DROP ARRANGEMENT MANHOLE.**

THIS DRAWING CONTAINS CONFIDENTIAL PROPRIETARY INFORMATION OF MWH INDIA PVT. LTD. AND IS NOT TO BE DISCLOSED TO THE PUBLIC OR TO COMPETITORS UNLESS OTHERWISE AUTHORISED IN WRITING BY MWH INDIA PVT. LTD.

**NOTES:**  
 P : RATIO OF AREA OF STEEL TO AREA OF CONCRETE AT THE CROWN.  
 Bc : OUTSIDE WIDTH / DIA OF PIPE  
 H : HEIGHT FROM TOP OF PIPE TO THE GROUND LEVEL  
 d : INTERNAL DIAMETER OF PIPE

**REFERENCE:**  
 FIG.8.13 : CLASSES OF BEDDING FOR CONDUIT IN TRENCH (CPHEEO SEWERAGE MANUAL)

INST.					
ELEC.					
MECH.					
STRU.					
CIVIL					
REV NO.	0	1	2	3	4

REV.	DESCRIPTION OF REVISIONS	DATE	CHECKED
------	--------------------------	------	---------

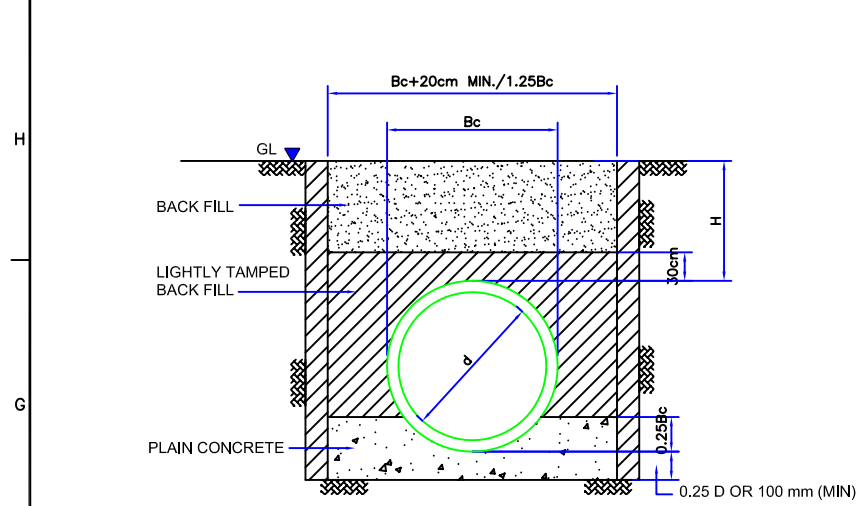
**CLIENT:**  
 JAPAN INTERNATIONAL COOPERATION AGENCY  
 TOKYO ENGINEERING CONSULTANTS CO., LTD.  
 CTT ENGINEERING INTERNATIONAL CO., LTD.

**JOB:**  
 CONSULTANCY SERVICES FOR FEASIBILITY STUDY OF PRIORITY PROJECTS UNDER POLLUTION ABATEMENT OF RIVER GANGA IN VARANASI

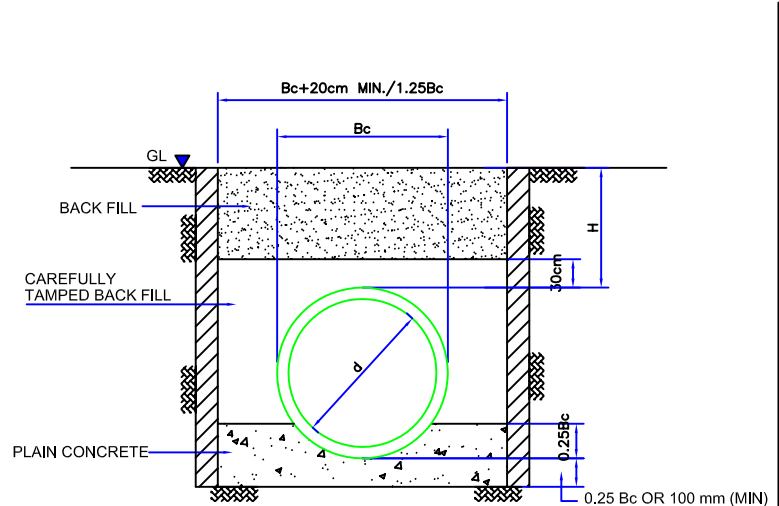
**DRAWING TITLE:**  
 TYPICAL SEWER BEDDING DETAILS

<b>CHECKED BY:</b> SAURABH MISRA		<b>APPROVED BY:</b> V.N. SONTAKKE	
<b>DRAWN:</b> M.D.NAGVEKAR	<b>SCALE:</b> N.T.S.	<b>DESIGNED:</b> KSA	<b>DATE:</b> 28/04/2004

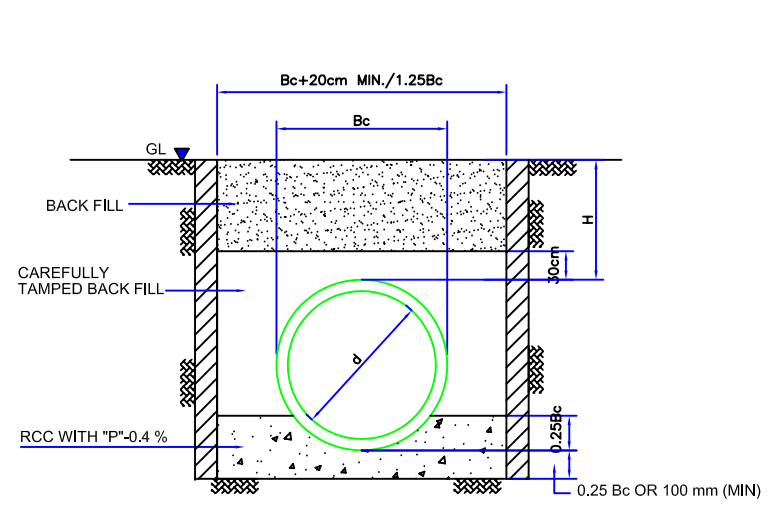
**DRAWING NO.**  
 VNS-TYP-2



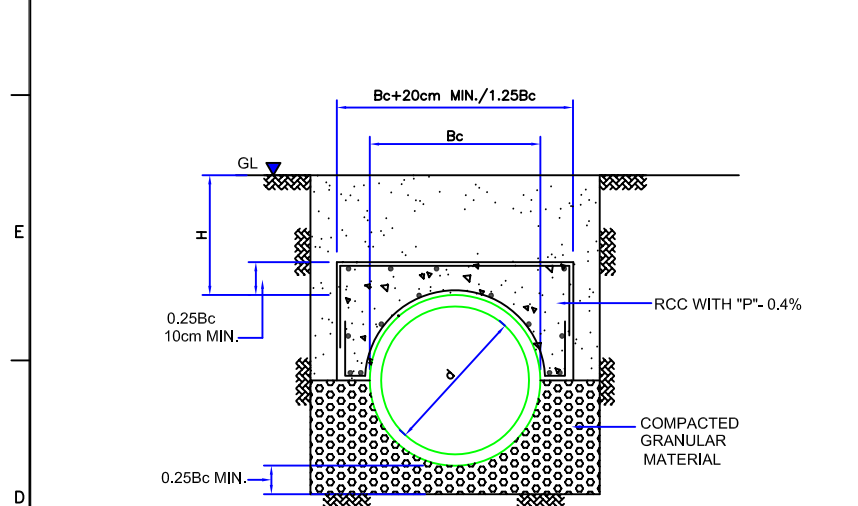
**CONCRETE CRADLE**  
 (LOAD FACTOR UPTO 2.2)  
**CLASS-Aa**



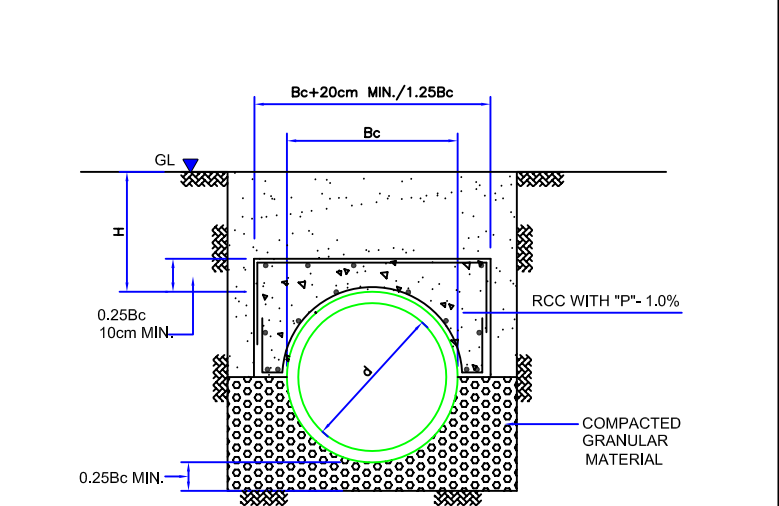
**CONCRETE CRADLE**  
 (LOAD FACTOR 2.8)  
**CLASS-Ab**



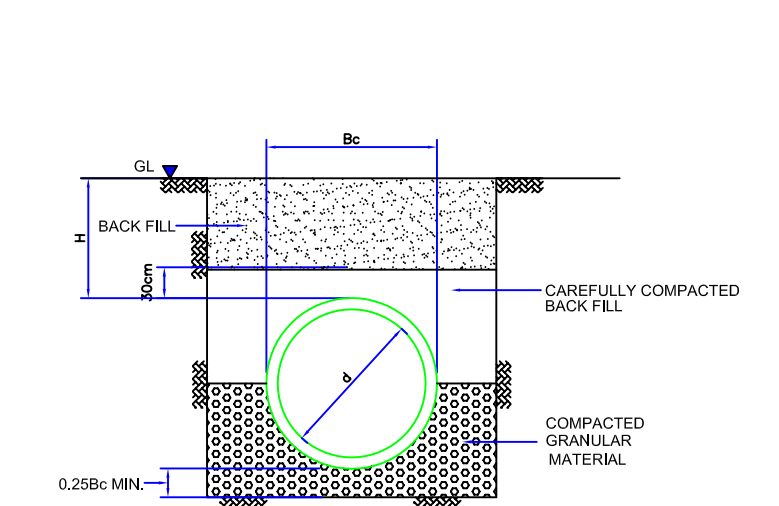
**CONCRETE CRADLE-RCC WITH "P"-0.4%**  
 (LOAD FACTOR UP TO 3.4)  
**CLASS-Ac**



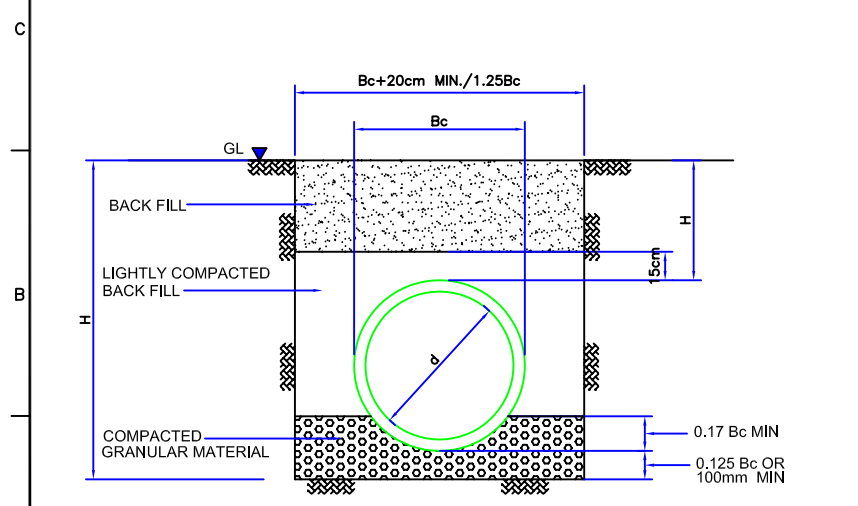
**ARCH TYPE - PLAIN CONCRETE**  
 (LOAD FACTOR UP TO 3.4)  
**CLASS-Ad (3.4)**



**ARCH TYPE - PLAIN CONCRETE**  
 (LOAD FACTOR UP TO 4.8)  
**CLASS-Ad (4.8)**

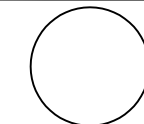


**COMPACTED GRANULAR BEDDING**  
 (LOAD FACTOR 1.9)  
**CLASS-B**

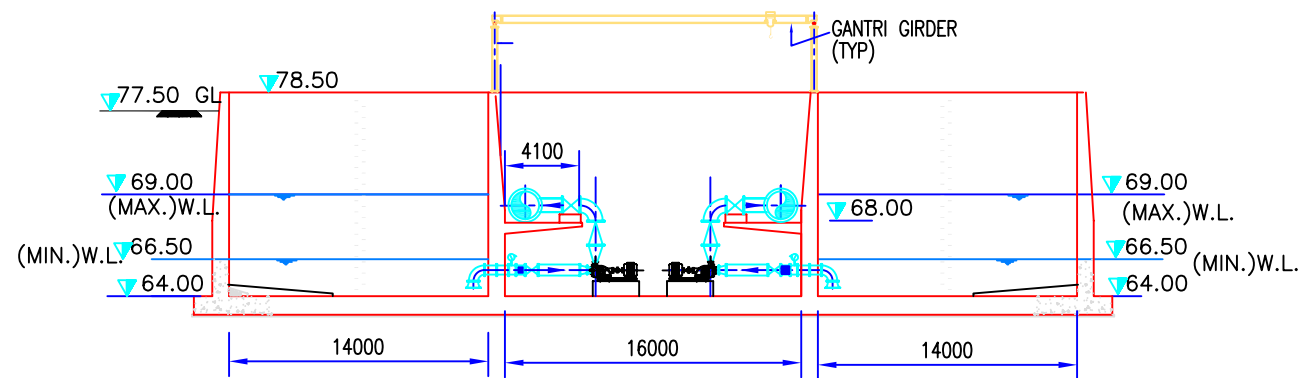


**GRANULAR BEDDING**  
 (LOAD FACTOR 1.5)  
**CLASS-C**

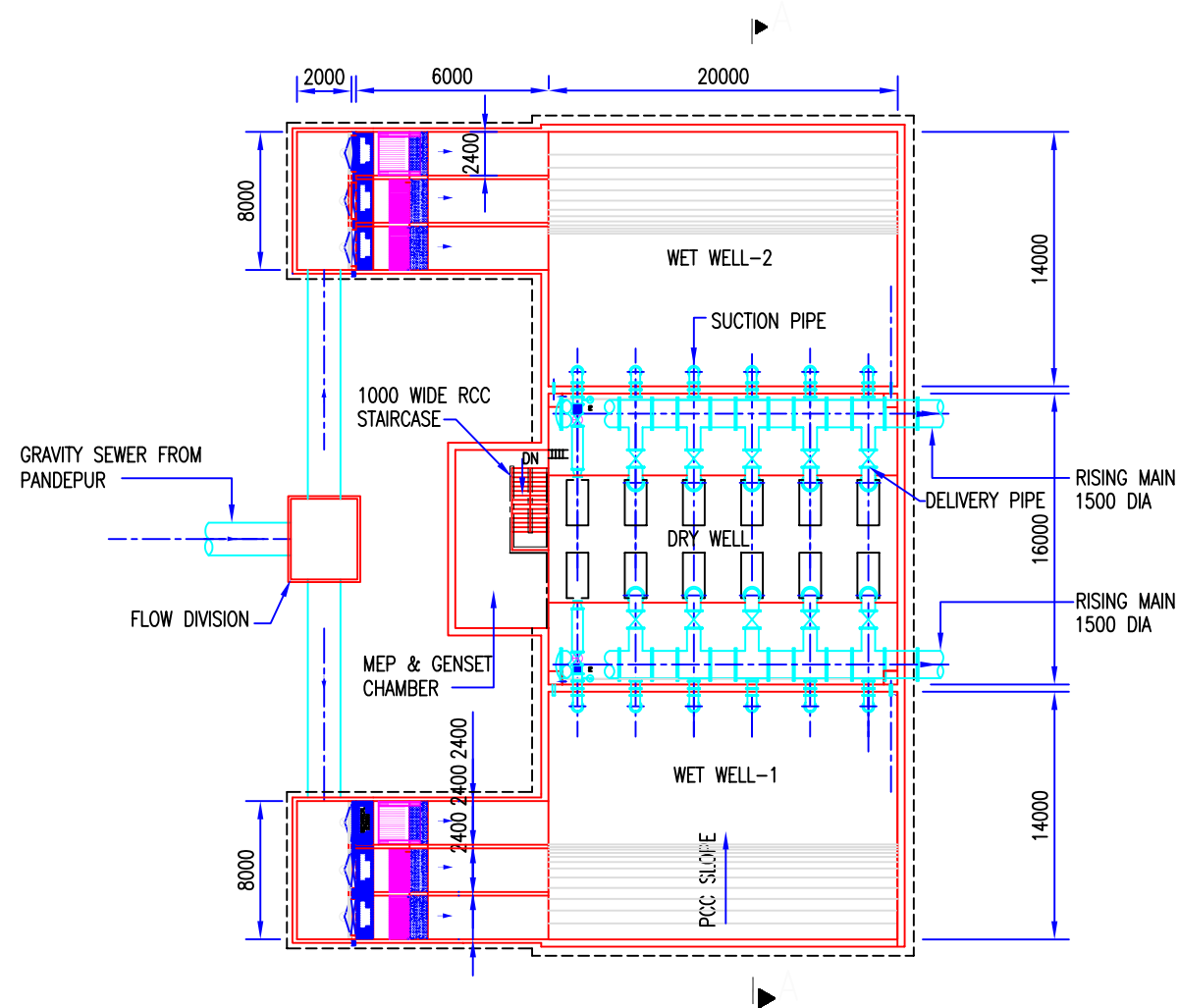
THIS DRAWING CONTAINS CONFIDENTIAL PROPRIETARY INFORMATION OF MWH INDIA PVT. LTD. AND IS NOT TO BE DISCLOSED TO THE PUBLIC OR TO COMPETITORS UNLESS OTHERWISE AUTHORISED IN WRITING BY  
**MWH INDIA PVT. LTD.**



NOTES:



SECTION A-A



PLAN

INST.					
ELEC.					
MECH.					
STRU.					
CIVIL					
REV NO.	0	1	2	3	4

0				

REV.	DESCRIPTION OF REVISIONS	DATE	CHECK
------	--------------------------	------	-------

CLIENT:  
 JAPAN INTERNATIONAL COOPERATION AGENCY  
 TOKYO ENGINEERING CONSULTANTS CO., LTD.  
 CTI ENGINEERING INTERNATIONAL CO., LTD.

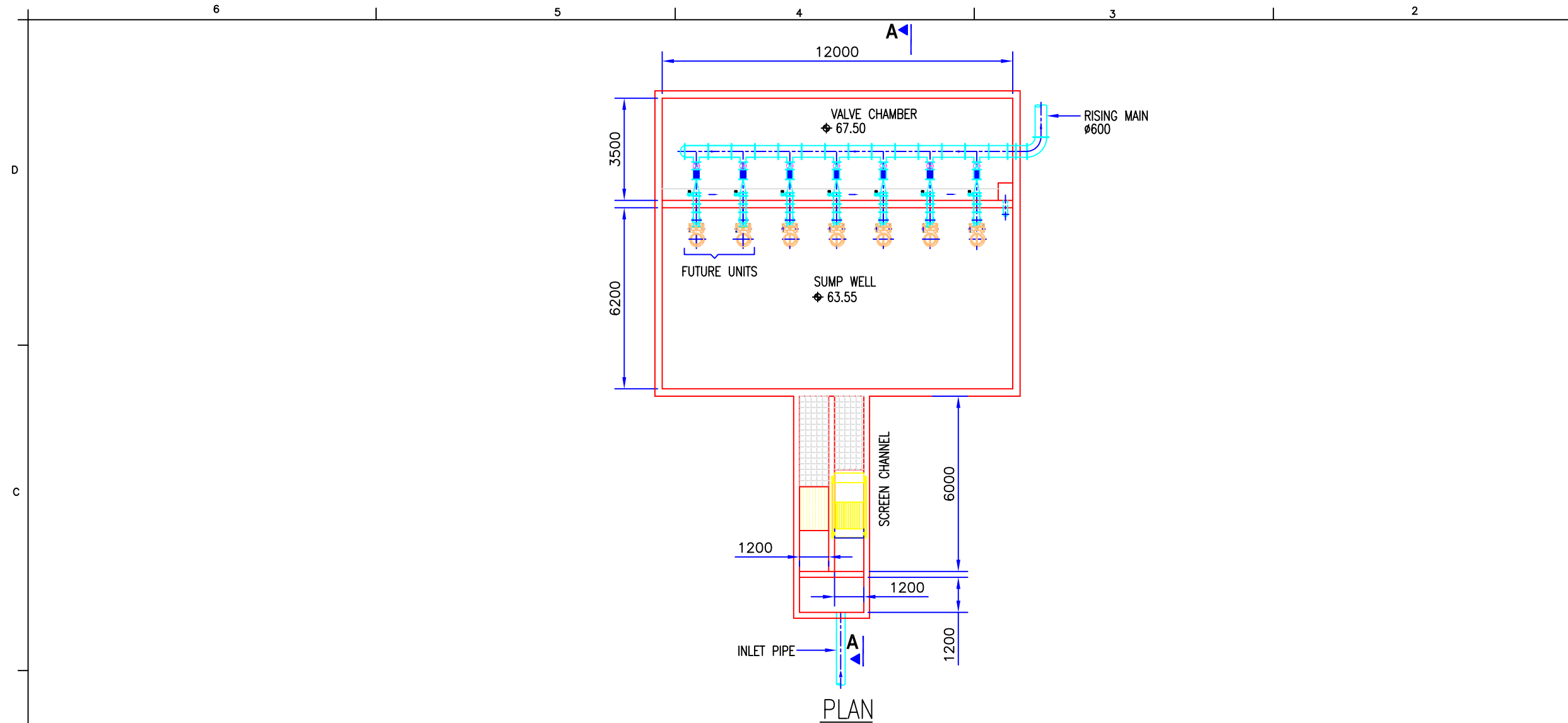
JOB:  
CONSULTANCY SERVICES FOR FEASIBILITY STUDY OF PRIORITY PROJECTS UNDER POLLUTION ABATEMENT OF RIVER GANGA IN VARANASI

DRAWING TITLE:  
SATHWA MAIN PUMPING STATION AT STP SITE

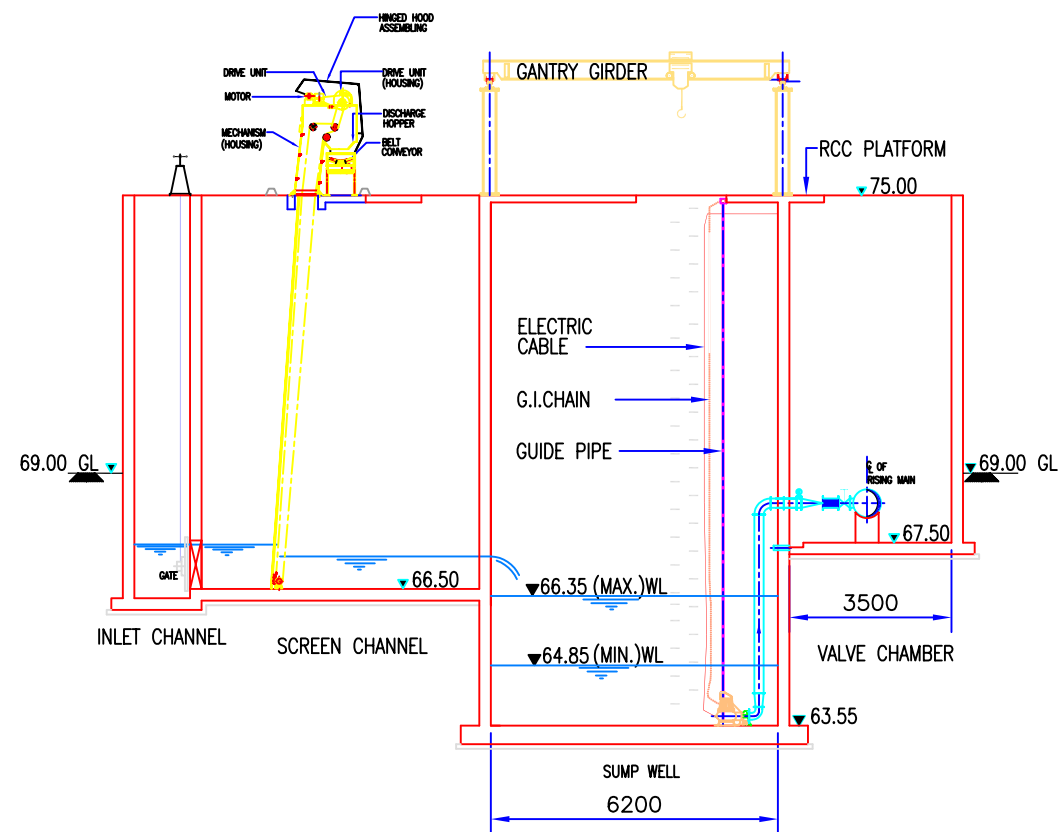
CHECKED BY: SAURABH MISRA  
APPROVED BY: V.N.SONTAKKE

DRAWN: A.J.K. DESIGNED: SUDHIR K. SURVEYED: K.S.A. SCALE: 1:400 DATE: 6/08/04

DRAWING NO. VNS-PS-STW Sr. 33



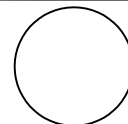
PLAN



SECTION A-A

**MWH INDIA PRIVATE LIMITED**  
 133, UDYOG BHAVAN, SONAWALA ROAD  
 GOREGAON (EAST), MUMBAI - 400 063  
 INDIA  
 PHONE : (91) 22 28717 165  
 FAX : (91) 22 28717 133  
 E-MAIL : mwhindia@vsnl.com

THIS DRAWING CONTAINS CONFIDENTIAL PROPRIETARY INFORMATION OF MWH INDIA PVT. LTD. AND IS NOT TO BE DISCLOSED TO THE PUBLIC OR TO COMPETITORS UNLESS OTHERWISE AUTHORISED IN WRITING BY MWH INDIA PVT. LTD.



NOTES:

INST.					
ELEC.					
MECH.					
STRU.					
CIVIL					
REV NO.	0	1	2	3	4

REV	DESCRIPTION OF REVISIONS	DATE	CHECK
0			

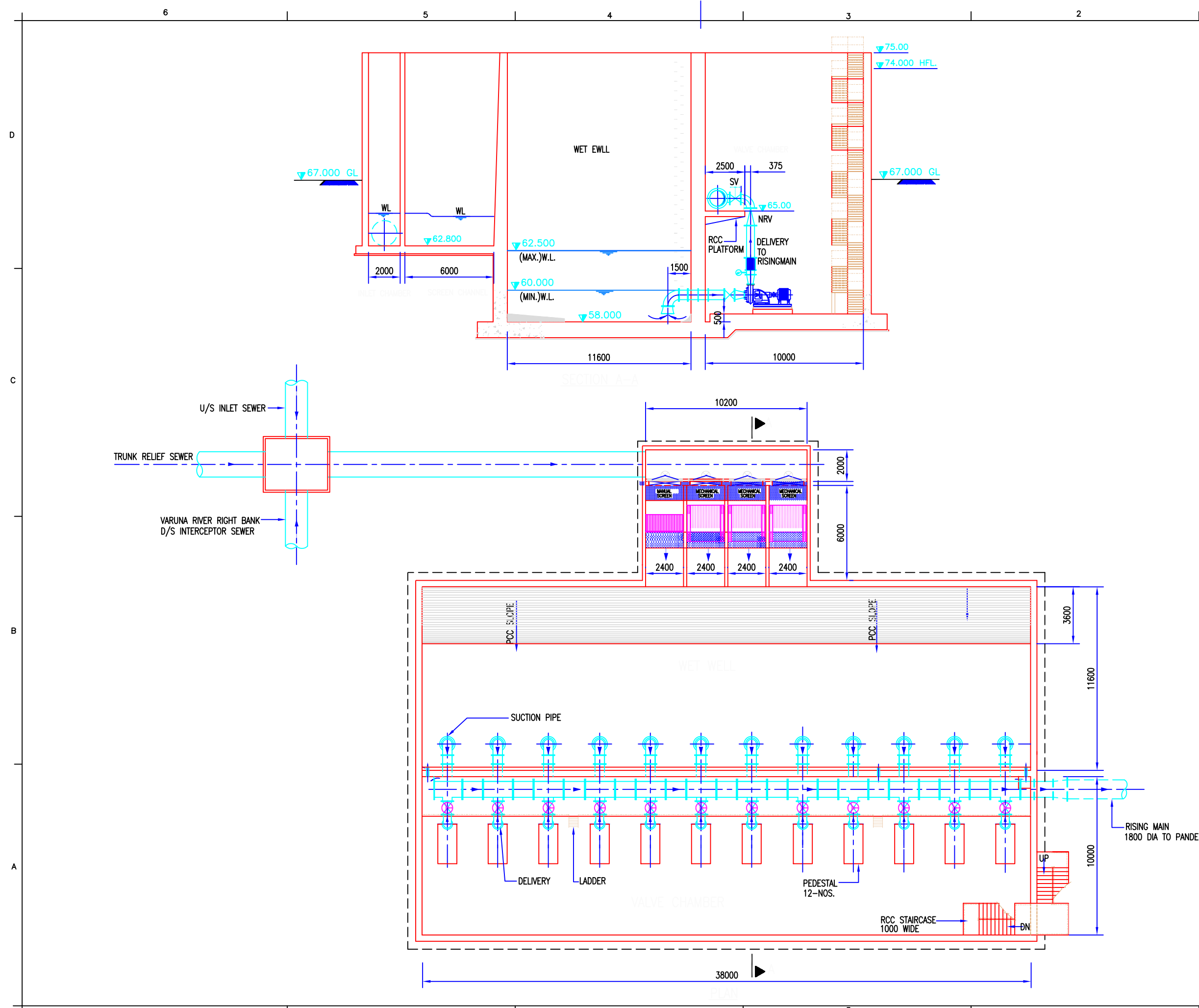
CLIENT:  
**JICA** JAPAN INTERNATIONAL COOPERATION AGENCY  
 TOKYO ENGINEERING CONSULTANTS CO., LTD.  
 CTI ENGINEERING INTERNATIONAL CO., LTD.

JOB:  
 CONSULTANCY SERVICES FOR FEASIBILITY STUDY OF PRIORITY PROJECTS UNDER POLLUTION ABATEMENT OF RIVER GANGA IN VARANASI

DRAWING TITLE:  
 VARUNA LB PUMPING STATION

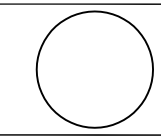
CHECKED BY: SAURABH MISRA	APPROVED BY: V.N.SONTAKKE
DRAWN S.KUMAR	SCALE 1:160
DESIGNED K.S.A.	DATE 23/04/2004
DRAWING NO. VNS-PS-CKG-1	Sr. 34





**MWH INDIA PRIVATE LIMITED**  
 133,UDYOG BHAVAN, SONAWALA ROAD  
 GOREGAON (EAST), MUMBAI - 400 063  
 INDIA  
 PHONE : (91) 22 28717 165  
 FAX : (91) 22 28717 133  
 E-MAIL : mwhindia@vsnl.com

THIS DRAWING CONTAINS CONFIDENTIAL PROPRIETARY INFORMATION OF MWH INDIA PVT. LTD. AND IS NOT TO BE DISCLOSED TO THE PUBLIC OR TO COMPETITORS UNLESS OTHERWISE AUTHORISED IN WRITING BY MWH INDIA PVT. LTD.



NOTES:

INST.					
ELEC.					
MECH.					
STRU.					
CIVIL					
REV NO.	0	1	2	3	4

REV.	DESCRIPTION OF REVISIONS	DATE	CHECK

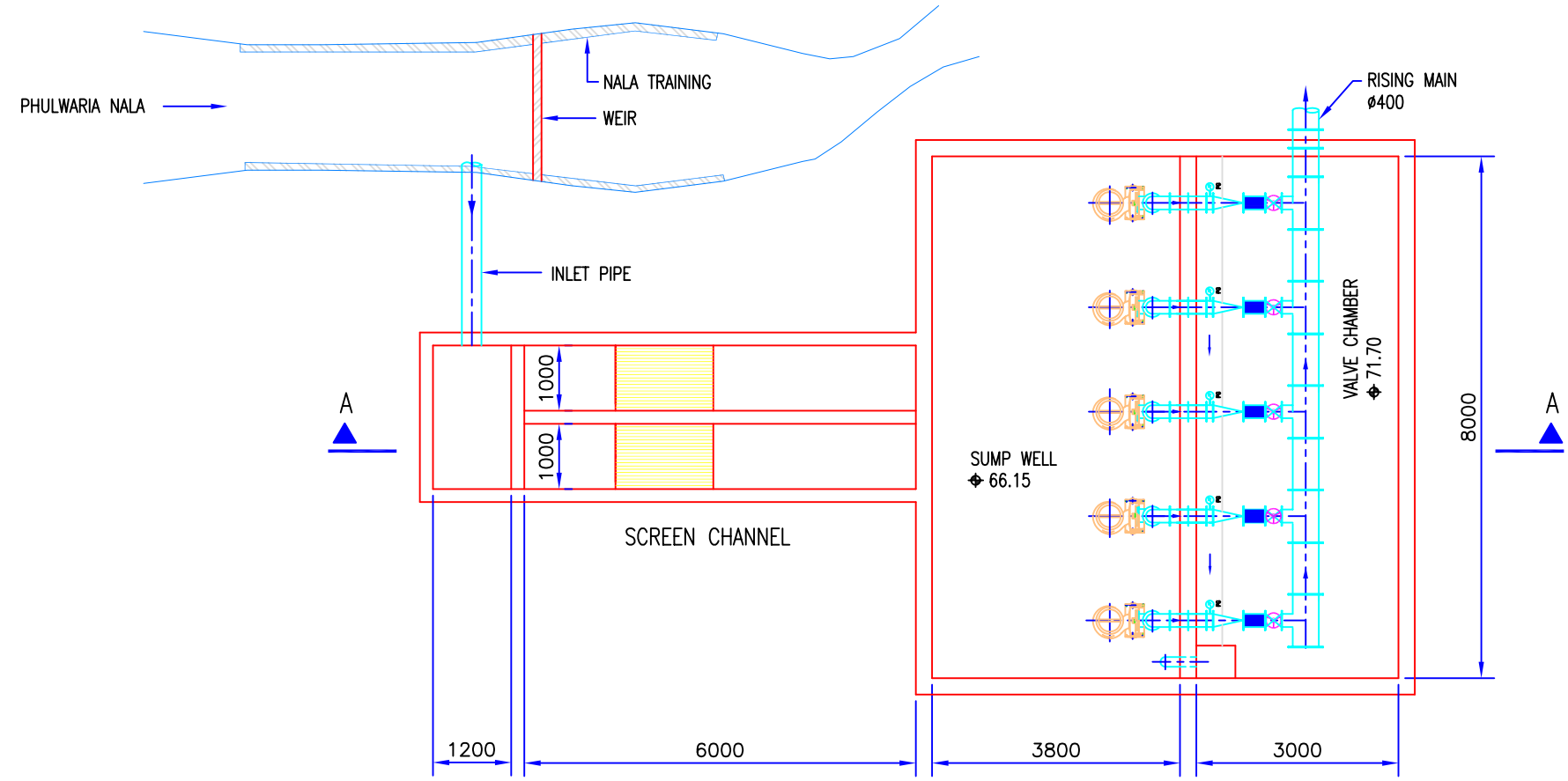
CLIENT:  
**JICA** JAPAN INTERNATIONAL COOPERATION AGENCY  
 TOKYO ENGINEERING CONSULTANTS CO., LTD.  
 CTI ENGINEERING INTERNATIONAL CO., LTD.

JOB:  
 CONSULTANCY SERVICES FOR FEASIBILITY STUDY OF PRIORITY PROJECTS UNDER POLLUTION ABATEMENT OF RIVER GANGA IN VARANASI

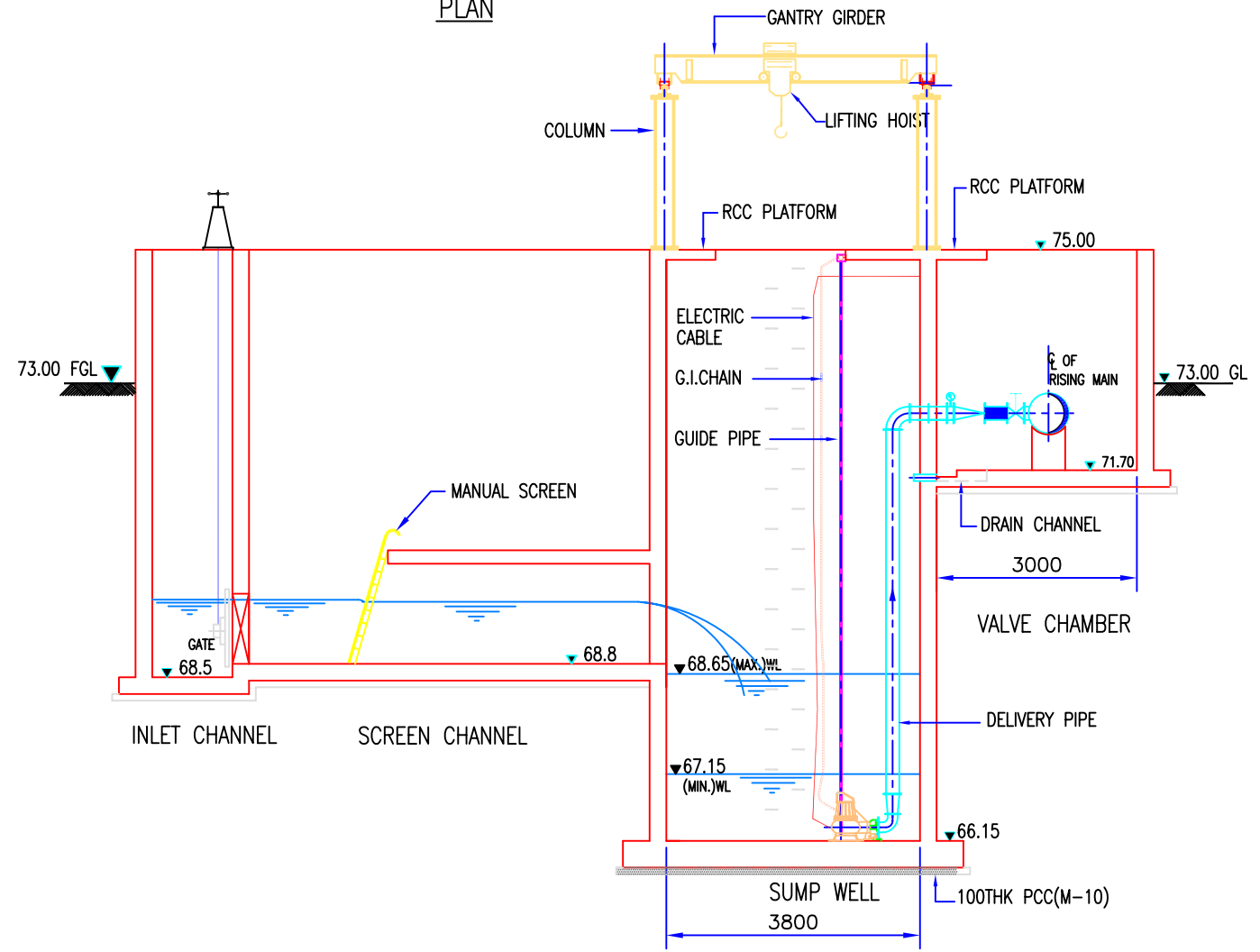
DRAWING TITLE:  
 SEWAGE PUMPING STATION AT CHAUKAGHAT FOR RIGHT BANK INTERCEPTOR ON VARUNA RIVER

CHECKED BY: SAURABH MISRA		APPROVED BY: V.N.SONTAKKE	
DRAWN	D.S.K.	SCALE	1:200
DESIGNED	S. KUMAR	DATE	06/08/2004
SURVEYED	K.S.A.		
DRAWING NO. VNS-PS-CKG-2			Sr. 35

6 5 4 3 2 1



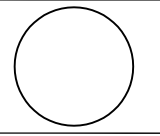
PLAN



SECTION A-A

**MWH INDIA PRIVATE LIMITED**  
 133,UDYOG BHAVAN, SONAWALA ROAD  
 GOREGAON (EAST), MUMBAI - 400 063  
 INDIA  
 PHONE : (91) 22 28717 165  
 FAX : (91) 22 28717 133  
 E-MAIL : mwhindia@vsnl.com

THIS DRAWING CONTAINS CONFIDENTIAL PROPRIETARY INFORMATION OF MWH INDIA PVT. LTD. AND IS NOT TO BE DISCLOSED TO THE PUBLIC OR TO COMPETITORS UNLESS OTHERWISE AUTHORISED IN WRITING BY MWH INDIA PVT. LTD.



NOTES:

INST.					
ELEC.					
MECH.					
STRU.					
CIVIL					
REV NO.	0	1	2	3	4

REV.	DESCRIPTION OF REVISIONS	DATE	CHECK
0			

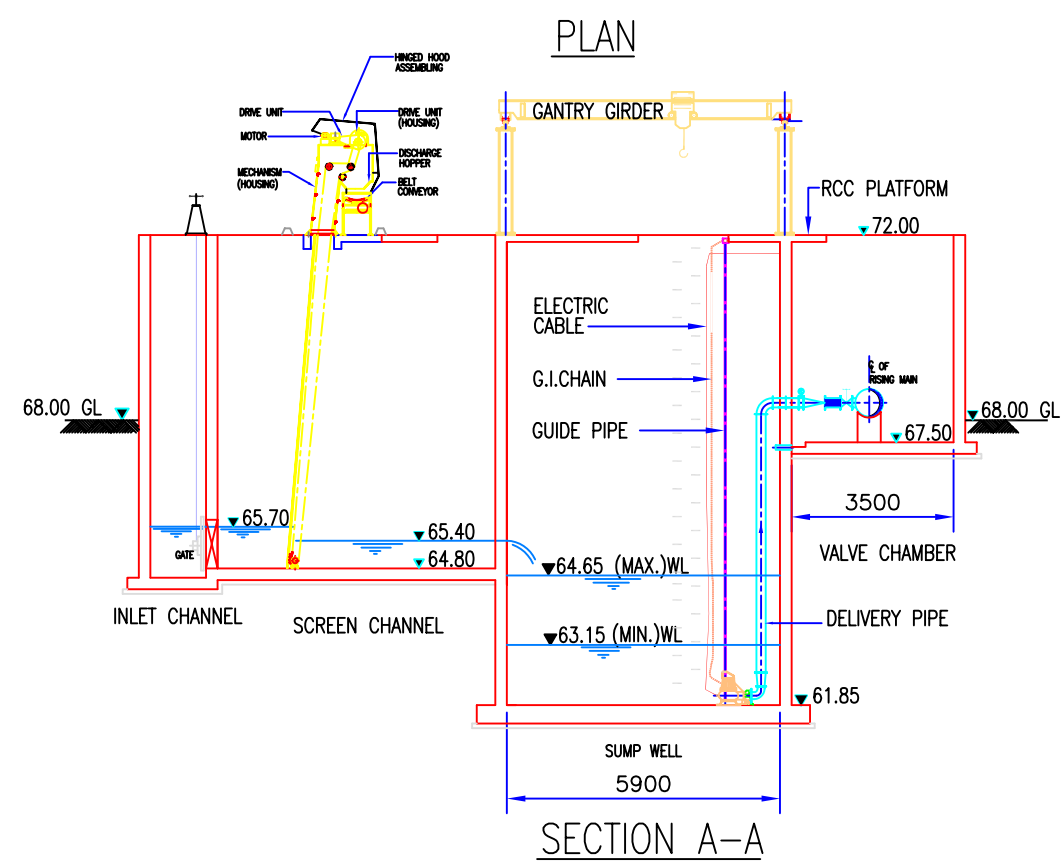
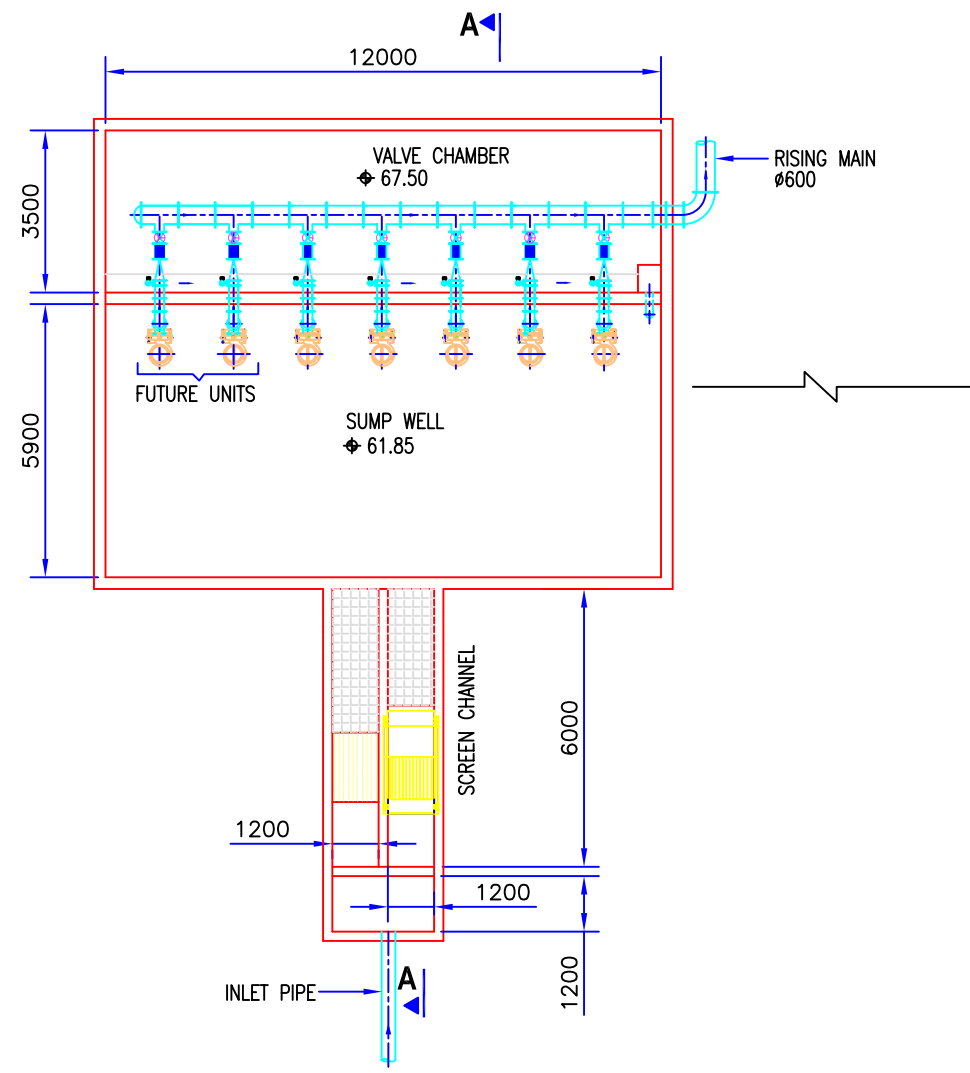
CLIENT:  
  
 JAPAN INTERNATIONAL COOPERATION AGENCY  
 TOKYO ENGINEERING CONSULTANTS CO., LTD.  
 CTI ENGINEERING INTERNATIONAL CO., LTD.

JOB:  
 CONSULTANCY SERVICES FOR FEASIBILITY STUDY OF PRIORITY PROJECTS UNDER POLLUTION ABATEMENT OF RIVER GANGA IN VARANASI

DRAWING TITLE:  
 PHULWARIA PUMPING STATION

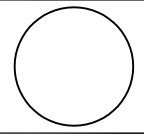
CHECKED BY: SAURABH MISRA	APPROVED BY: V.N.SONTAKKE
DRAWN S.KUMAR	SCALE 1:100
DESIGNED S.KUMAR	DATE 23/04/2004
SURVEYED K.S.A.	
DRAWING NO. VNS-PS-PLW	Sr. 36

6 5 4 3 2 1



**MWH INDIA PRIVATE LIMITED**  
 133, UDYOG BHAVAN, SONAWALA ROAD  
 GOREGAON (EAST), MUMBAI - 400 063  
 INDIA  
 PHONE : (91) 22 28717 165  
 FAX : (91) 22 28717 133  
 E-MAIL : mwhindia@vsnl.com

THIS DRAWING CONTAINS CONFIDENTIAL PROPRIETARY INFORMATION OF MWH INDIA PVT. LTD. AND IS NOT TO BE DISCLOSED TO THE PUBLIC OR TO COMPETITORS UNLESS OTHERWISE AUTHORISED IN WRITING BY MWH INDIA PVT. LTD.



NOTES:

INST.					
ELEC.					
MECH.					
STRU.					
CIVIL					
REV NO.	0	1	2	3	4

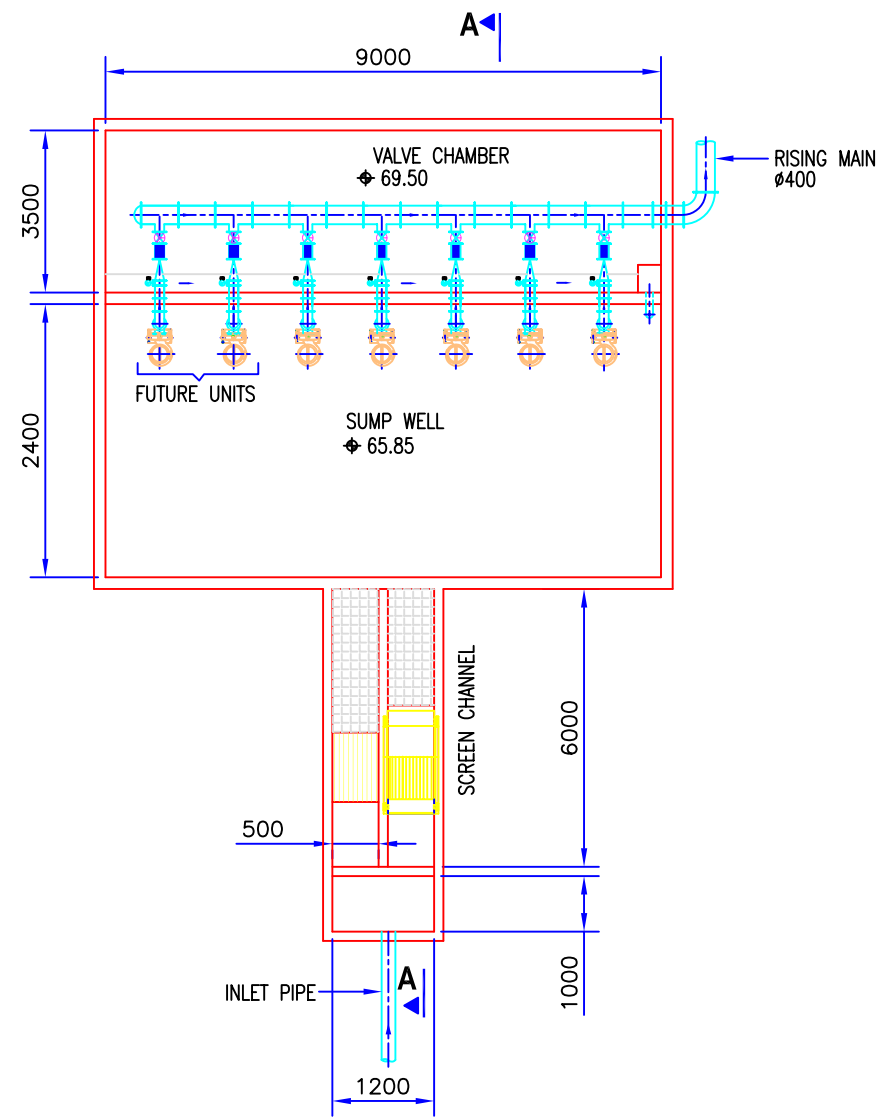
REV	DESCRIPTION OF REVISIONS	DATE	CHECK
0			

CLIENT:  
**JICA** JAPAN INTERNATIONAL COOPERATION AGENCY  
 TOKYO ENGINEERING CONSULTANTS CO., LTD.  
 CTI ENGINEERING INTERNATIONAL CO., LTD.

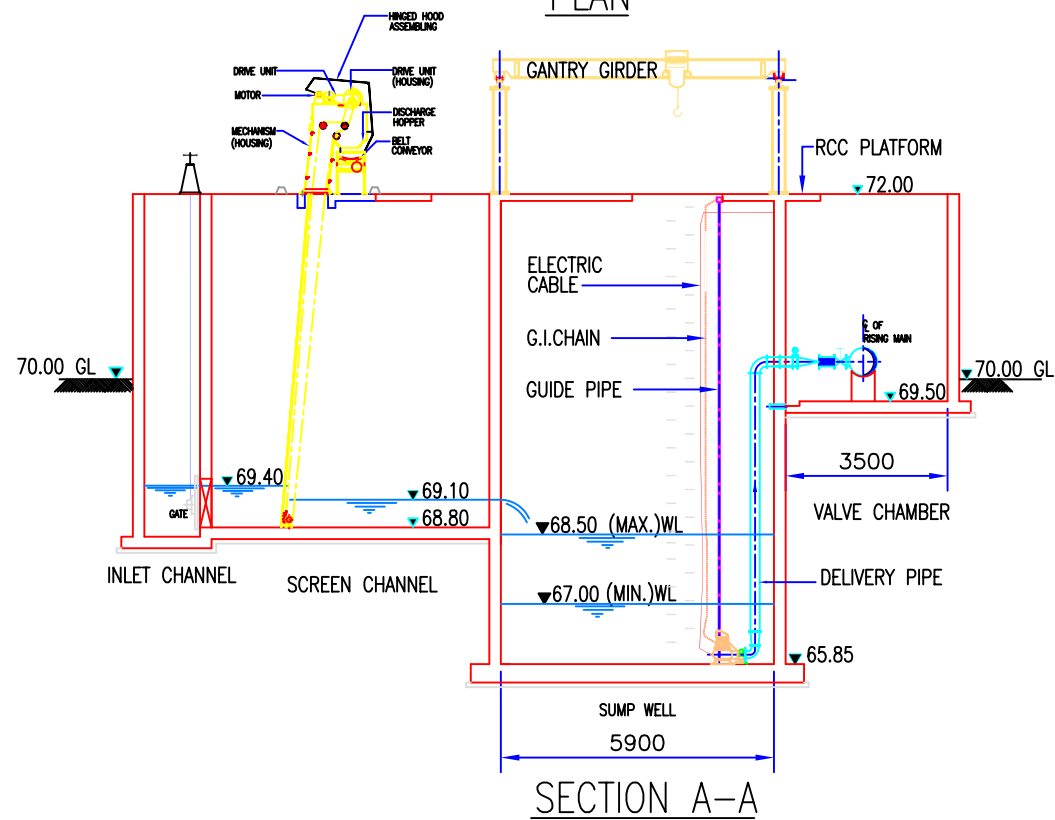
JOB:  
 CONSULTANCY SERVICES FOR FEASIBILITY STUDY OF PRIORITY PROJECTS UNDER POLLUTION ABATEMENT OF RIVER GANGA IN VARANASI

DRAWING TITLE:  
 NAROKHAR NALA PUMPING STATION

CHECKED BY: SAURABH MISRA		APPROVED BY: V.N.SONTAKKE	
DRAWN	H.S.PAWAR	SCALE	1:160
DESIGNED	S.KUMAR	DATE	23/04/2004
SURVEYED	K.S.A.		
DRAWING NO. VNS-PS-NRK			Sr. 37

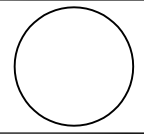


PLAN



**MWH INDIA PRIVATE LIMITED**  
 133,UDYOG BHAVAN, SONAWALA ROAD  
 GOREGAON (EAST), MUMBAI - 400 063  
 INDIA  
 PHONE : (91) 22 28717 165  
 FAX : (91) 22 28717 133  
 E-MAIL : mwhindia@vsnl.com

THIS DRAWING CONTAINS CONFIDENTIAL PROPRIETARY INFORMATION OF MWH INDIA PVT. LTD. AND IS NOT TO BE DISCLOSED TO THE PUBLIC OR TO COMPETITORS UNLESS OTHERWISE AUTHORISED IN WRITING BY MWH INDIA PVT. LTD.



NOTES:  
 REFER TO THE WRITTEN DIMENSIONS & LEVELS ONLY

INST.					
ELEC.					
MECH.					
STRU.					
CIVIL					
REV NO.	0	1	2	3	4

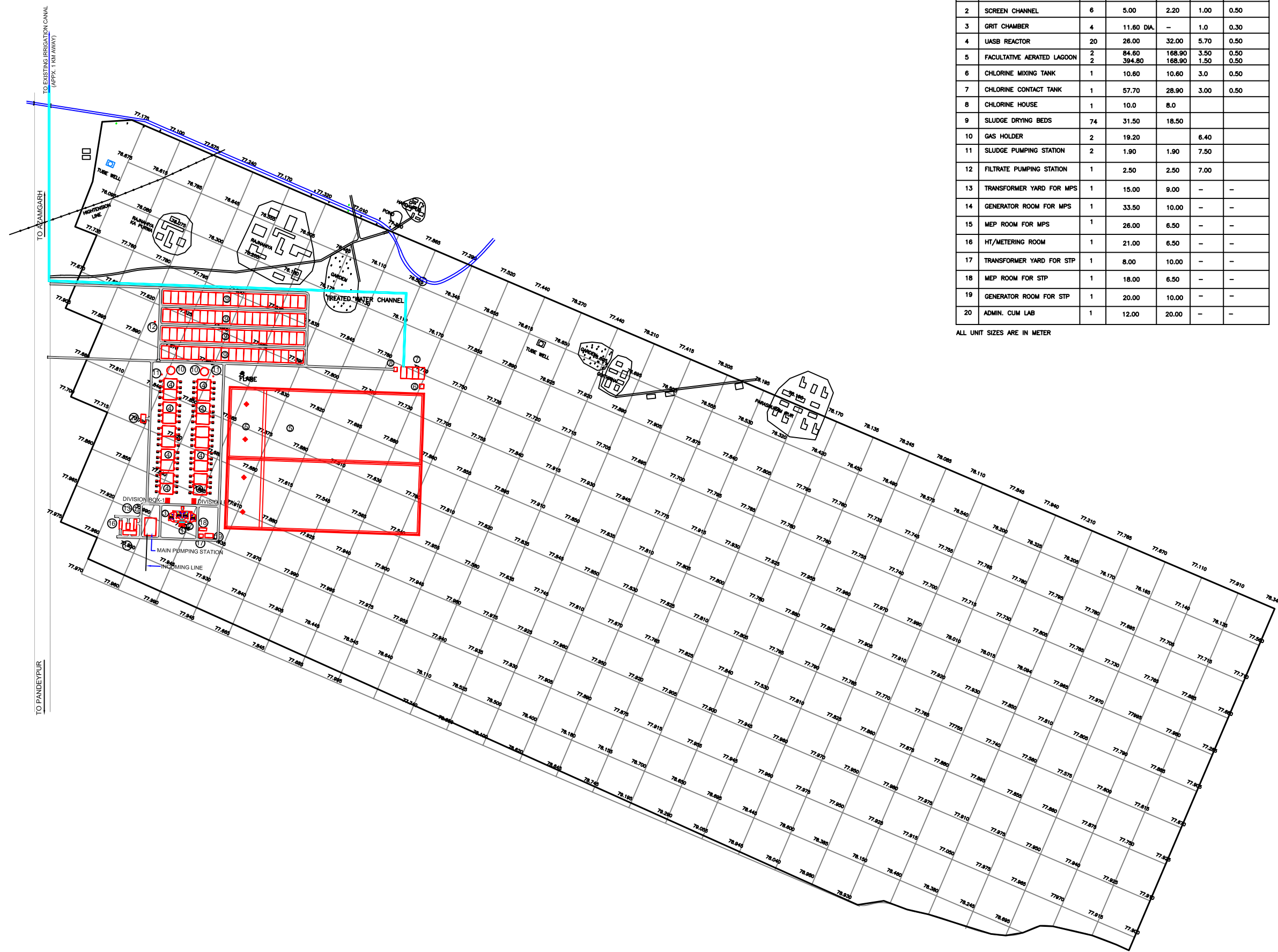
REV.	DESCRIPTION OF REVISIONS	DATE	CHECK
0			

CLIENT:  
**JICA** JAPAN INTERNATIONAL COOPERATION AGENCY  
 TOKYO ENGINEERING CONSULTANTS CO., LTD.  
 CTI ENGINEERING INTERNATIONAL CO., LTD.

JOB:  
 CONSULTANCY SERVICES FOR FEASIBILITY STUDY OF PRIORITY PROJECTS UNDER POLLUTION ABATEMENT OF RIVER GANGA IN VARANASI

DRAWING TITLE:  
 PUMPING STATION OF SARAIYA NALA

CHECKED BY: SAURABH MISRA	APPROVED BY: V.N.SONTAKKE
DRAWN S.KUMAR	SCALE N.T.S.
DESIGNED K.S.A.	DATE 10/08/04
DRAWING NO. VNS-PS-SRY	Sr. 38



**LEGEND**

SR.NO.	UNITS	NO.	LENGTH/DIA.	WIDTH	DEPTH	FREE BOARD
1	INLET CHAMBER	1	2.00	14.20	5.00	0.50
2	SCREEN CHANNEL	6	5.00	2.20	1.00	0.50
3	GRIT CHAMBER	4	11.60 DIA.	-	1.0	0.30
4	UASB REACTOR	20	26.00	32.00	5.70	0.50
5	FACULTATIVE AERATED LAGOON	2	84.60 394.80	168.90 168.90	3.50 1.50	0.50 0.50
6	CHLORINE MIXING TANK	1	10.60	10.60	3.0	0.50
7	CHLORINE CONTACT TANK	1	57.70	28.90	3.00	0.50
8	CHLORINE HOUSE	1	10.0	8.0		
9	SLUDGE DRYING BEDS	74	31.50	18.50		
10	GAS HOLDER	2	19.20		6.40	
11	SLUDGE PUMPING STATION	2	1.90	1.90	7.50	
12	FILTRATE PUMPING STATION	1	2.50	2.50	7.00	
13	TRANSFORMER YARD FOR MPS	1	15.00	9.00	-	-
14	GENERATOR ROOM FOR MPS	1	33.50	10.00	-	-
15	MEP ROOM FOR MPS	1	26.00	6.50	-	-
16	HT/METERING ROOM	1	21.00	6.50	-	-
17	TRANSFORMER YARD FOR STP	1	8.00	10.00	-	-
18	MEP ROOM FOR STP	1	18.00	6.50	-	-
19	GENERATOR ROOM FOR STP	1	20.00	10.00	-	-
20	ADMIN. CUM LAB	1	12.00	20.00	-	-

ALL UNIT SIZES ARE IN METER

**MWH INDIA PRIVATE LIMITED**  
 133, LUDYOG BHAVAN, SONAWALA ROAD  
 GOREGAON (EAST), MUMBAI - 400 063  
 INDIA  
 PHONE : (91) 22 28717 165  
 FAX : (91) 22 28717 133  
 E-MAIL : mwhindia@vsnl.com

THIS DRAWING CONTAINS CONFIDENTIAL PROPRIETARY INFORMATION OF MWH INDIA PVT. LTD. AND IS NOT TO BE DISCLOSED TO THE PUBLIC OR TO COMPETITORS UNLESS OTHERWISE AUTHORIZED IN WRITING BY MWH INDIA PVT. LTD.

**NOTES:**

- 1) PERMANENT BENCH MARK TAKEN ON RAILWAY BRIDGE NEAR CHOUKA GHAT JUNCTION 79.705 M.
- 2) ALL THE LEVELS ARE IN METERS.
- 3) ROAD SHOWN IS NOT TO SCALE
- 4) EQUIPMENT SHOWN IS INDICATIVE ONLY.

**LEGEND**

- RAILWAY LINE
- WELL
- ELECTRICAL POLE
- PLOT BOUNDARY
- BUILDING
- TEMPLE
- BRIDGE / CULVERT
- ROAD DIVIDER
- MOSQUE
- SPOT LEVEL 74.00
- NALA

INST.	ELEC.	MECH.	STRU.	CIVIL	
REV. NO.	0	1	2	3	4

**CLIENT:**

**JICA** JAPAN INTERNATIONAL COOPERATION AGENCY  
**TEC** TOKYO ENGINEERING CONSULTANTS CO., LTD.  
**CEI** ENGINEERING INTERNATIONAL CO., LTD.

**JOB:**  
 CONSULTANCY SERVICES FOR FEASIBILITY STUDY OF PRIORITY PROJECTS UNDER POLLUTION ABATEMENT OF RIVER GANGA IN VARANASI

**DRAWING TITLE:**  
 SITE CUM LAYOUT PLAN OF SEWAGE TREATMENT PLANT AT SATHWA ON AZAMGARH ROAD BASED ON UASB + FACULTATIVE AERATED LAGOON (ALTERNATIVE-3)

<b>CHECKED BY:</b> SAURABH MISRA		<b>APPROVED BY:</b> V.N.SONTAKKE	
<b>DRAWN</b> KARKHANIS	<b>DESIGNED</b> SUJIT MENON	<b>SCALE</b> 1:5000	<b>DATE</b> 22/04/2004

**DRAWING NO.**  
 VNS-LAY-STP-3